

Trenco  
818 Soundside Rd  
Edenton, NC 27932

Re: 230644FT1  
Garman Homes - Forget Me Not A & B

The truss drawing(s) referenced below have been prepared by Truss Engineering Co. under my direct supervision based on the parameters provided by Carolina Structural Systems, LLC.

Pages or sheets covered by this seal: I61813599 thru I61813600

My license renewal date for the state of North Carolina is December 31, 2023.

North Carolina COA: C-0844



November 6, 2023

Gilbert, Eric

**IMPORTANT NOTE:** The seal on these truss component designs is a certification that the engineer named is licensed in the jurisdiction(s) identified and that the designs comply with ANSI/TPI 1. These designs are based upon parameters shown (e.g., loads, supports, dimensions, shapes and design codes), which were given to MiTek or TRENCO. Any project specific information included is for MiTek's or TRENCO's customers file reference purpose only, and was not taken into account in the preparation of these designs. MiTek or TRENCO has not independently verified the applicability of the design parameters or the designs for any particular building. Before use, the building designer should verify applicability of design parameters and properly incorporate these designs into the overall building design per ANSI/TPI 1, Chapter 2.

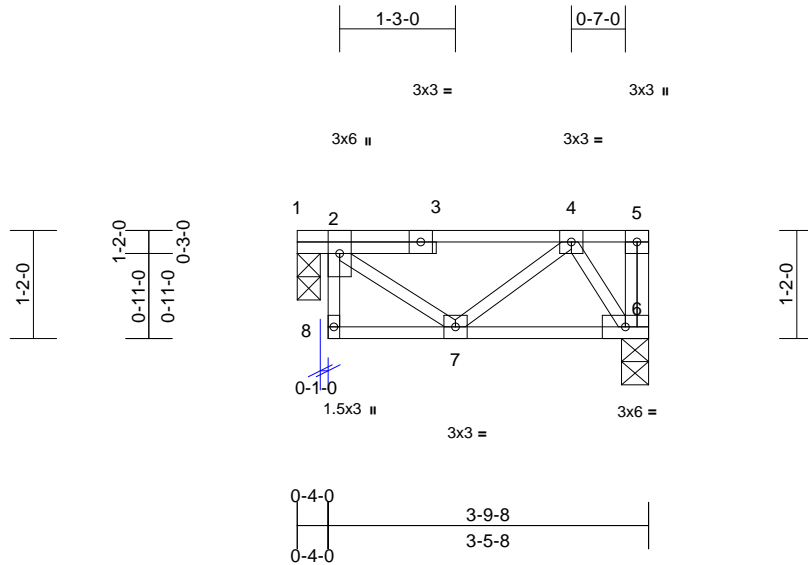
Job 230644FT1	Truss F210	Truss Type Floor	Qty 1	Ply 1	Garman Homes - Forget Me Not A & B Job Reference (optional)	I61813599
------------------	---------------	---------------------	----------	----------	--	-----------

Carolina Structural Systems (Star, NC)), Ether, NC - 27247,

Run: 8.63 E Sep 20 2023 Print: 8.630 E Sep 20 2023 MiTek Industries, Inc. Mon Nov 06 13:11:50  
ID:PiAbYIb1qmxAy1qm7Bi?GZzEieX-Jt4Jsc7FnA4vVM1LJed99j\_PeJdD8AO36mTR33yLua7

Page: 1

REPAIR: 1" GAP ON LEFT END BEARING.  
NO REPAIR REQUIRED



Scale = 1:24.9

Loading	(psf)	Spacing	2-0-0	CSI	DEFL	in	(loc)	l/defl	L/d	PLATES	GRIP	
TCLL	40.0	Plate Grip DOL	1.00	TC	0.56	Vert(LL)	-0.01	8	>999	480	MT20	244/190
TCDL	10.0	Lumber DOL	1.00	BC	0.07	Vert(CT)	-0.02	8	>999	240		
BCLL	0.0	Rep Stress Incr	YES	WB	0.07	Horz(CT)	0.01	6	n/a	n/a		
BCDL	5.0	Code	IRC2015/TPI2014	Matrix-S							Weight: 23 lb	FT = 20%F, 11%E

**LUMBER**

TOP CHORD 2x4 SP No.2(flat)  
BOT CHORD 2x4 SP No.2(flat)  
WEBS 2x4 SP No.3(flat)

**BRACING**

TOP CHORD Structural wood sheathing directly applied or 3-9-8 oc purlins, except end verticals.  
BOT CHORD Rigid ceiling directly applied or 10-0-0 oc bracing.

**REACTIONS** (lb/size) 1=198/0-3-0, 6=201/0-3-8

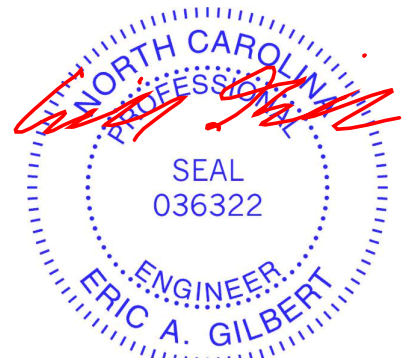
**FORCES** (lb) - Maximum Compression/Maximum Tension

TOP CHORD 2-8=0/3, 5-6=0/70, 1-2=0/0, 2-3=-111/0, 3-4=-108/0, 4-5=0/0  
BOT CHORD 7-8=0/0, 6-7=0/179  
WEBS 2-7=0/135, 4-7=-92/0, 4-6=-319/0

**NOTES**

- All bearings are assumed to be SP No.2 crushing capacity of 565 psi.
- This truss is designed in accordance with the 2015 International Residential Code sections R502.11.1 and R802.10.2 and referenced standard ANSI/TPI 1.
- Recommend 2x6 strongbacks, on edge, spaced at 10-00-00 oc and fastened to each truss with 3-10d (0.131" X 3") nails. Strongbacks to be attached to walls at their outer ends or restrained by other means.
- CAUTION, Do not erect truss backwards.

**LOAD CASE(S)** Standard



November 6, 2023

**WARNING - Verify design parameters and READ NOTES ON THIS AND INCLUDED MITEK REFERENCE PAGE MII-7473 rev. 1/2/2023 BEFORE USE.**

Design valid for use only with MiTek® connectors. This design is based only upon parameters shown, and is for an individual building component, not a truss system. Before use, the building designer must verify the applicability of design parameters and properly incorporate this design into the overall building design. Bracing indicated is to prevent buckling of individual truss web and/or chord members only. Additional temporary and permanent bracing is always required for stability and to prevent collapse with possible personal injury and property damage. For general guidance regarding the fabrication, storage, delivery, erection and bracing of trusses and truss systems, see **ANSI/TPI1 Quality Criteria and DSB-22** available from Truss Plate Institute ([www.tpinst.org](http://www.tpinst.org)) and **BCSI Building Component Safety Information** available from the Structural Building Component Association ([www.sbcacomponents.com](http://www.sbcacomponents.com))



818 Soundside Road  
Edenton, NC 27932

Job 230644FT1	Truss F211	Truss Type Floor	Qty 1	Ply 1	Garman Homes - Forget Me Not A & B Job Reference (optional)	I61813600
------------------	---------------	---------------------	----------	----------	--	-----------

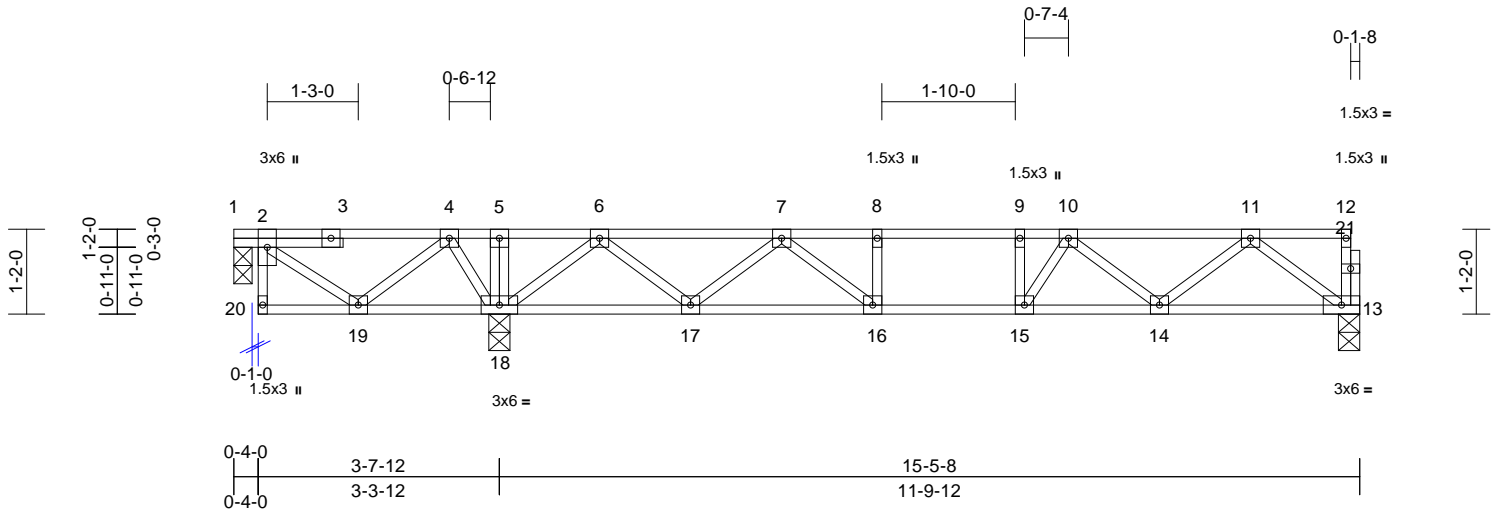
Carolina Structural Systems (Star, NC)), Ether, NC - 27247,

Run: 8.63 E Sep 20 2023 Print: 8.630 E Sep 20 2023 MiTek Industries, Inc. Mon Nov 06 13:18:44

Page: 1

ID:iKdgbuy4A8ymqjfNXD8eEdzEie9-BX5qIA8xHNE9A\_hvZb2Fx18BmBr98Mr?JBILb4yLuTf

REPAIR: 1" GAP ON LEFT END BEARING.  
NO REPAIR REQUIRED



Scale = 1:31.6

Loading	(psf)	Spacing	1-7-3	CSI	DEFL	in	(loc)	l/defl	L/d	PLATES	GRIP	
TCLL	40.0	Plate Grip DOL	1.00	TC	0.43	Vert(LL)	-0.05	14-15	>999	480	MT20	244/190
TCDL	10.0	Lumber DOL	1.00	BC	0.45	Vert(CT)	-0.07	14-15	>999	240		
BCLL	0.0	Rep Stress Incr	YES	WB	0.27	Horz(CT)	0.01	13	n/a	n/a		
BCDL	5.0	Code	IRC2015/TPI2014	Matrix-S							Weight: 80 lb	FT = 20%F, 11%E

**LUMBER**

TOP CHORD 2x4 SP No.2(flat)  
BOT CHORD 2x4 SP No.2(flat)  
WEBS 2x4 SP No.3(flat)  
OTHERS 2x4 SP No.3(flat)

**BRACING**

TOP CHORD Structural wood sheathing directly applied or 6'-0-0 oc purlins, except end verticals.  
BOT CHORD Rigid ceiling directly applied or 10'-0-0 oc bracing, Except: 6'-0-0 oc bracing: 18-19,17-18.

**REACTIONS** (lb/size) 1=-80/0-3-0, 13=434/0-3-8, 18=988/0-3-8  
Max Uplift 1=-167 (LC 4)  
Max Grav 1=63 (LC 3), 13=443 (LC 4), 18=988 (LC 1)

**FORCES** (lb) - Maximum Compression/Maximum Tension

TOP CHORD 2-20=0/4, 13-21=-28/0, 12-21=-28/0, 1-2=0/0, 2-3=0/292, 3-4=0/293, 4-5=0/849, 5-6=0/849, 6-7=-400/0, 7-8=-1060/0, 8-9=-1060/0, 9-10=-1060/0, 10-11=-816/0, 11-12=-2/0  
BOT CHORD 19-20=0/0, 18-19=-569/0, 17-18=-209/0, 16-17=0/809, 15-16=0/1060, 14-15=0/1054, 13-14=0/539  
WEBS 5-18=-60/53, 11-13=-674/0, 6-18=-894/0, 11-14=0/360, 6-17=0/562, 10-14=-310/0, 7-17=-549/0, 7-16=0/408, 8-16=-188/0, 9-15=-120/53, 10-15=-112/162, 2-19=-366/0, 4-19=0/359, 4-18=-501/0

**NOTES**

- 1) Unbalanced floor live loads have been considered for this design.
- 2) All plates are 3x3 MT20 unless otherwise indicated.
- 3) All bearings are assumed to be SP No.2 crushing capacity of 565 psi.
- 4) Provide mechanical connection (by others) of truss to bearing plate capable of withstanding 167 lb uplift at joint 1.

- 5) This truss is designed in accordance with the 2015 International Residential Code sections R502.11.1 and R802.10.2 and referenced standard ANSI/TPI 1.
- 6) Recommend 2x6 strongbacks, on edge, spaced at 10'-0-0-00 oc and fastened to each truss with 3-10d (0.131" X 3") nails. Strongbacks to be attached to walls at their outer ends or restrained by other means.
- 7) CAUTION, Do not erect truss backwards.

**LOAD CASE(S)** Standard



November 6, 2023

**WARNING - Verify design parameters and READ NOTES ON THIS AND INCLUDED MITEK REFERENCE PAGE MII-7473 rev. 1/2/2023 BEFORE USE.**

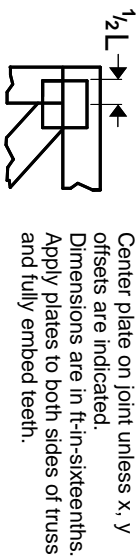
Design valid for use only with MiTek® connectors. This design is based only upon parameters shown, and is for an individual building component, not a truss system. Before use, the building designer must verify the applicability of design parameters and properly incorporate this design into the overall building design. Bracing indicated is to prevent buckling of individual truss web and/or chord members only. Additional temporary and permanent bracing is always required for stability and to prevent collapse with possible personal injury and property damage. For general guidance regarding the fabrication, storage, delivery, erection and bracing of trusses and truss systems, see **ANSI/TPI1 Quality Criteria and DSB-22** available from Truss Plate Institute (www.tpinst.org) and **BCSI Building Component Safety Information** available from the Structural Building Component Association (www.sbcacomponents.com)



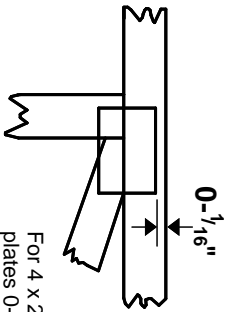
818 Soundside Road  
Edenton, NC 27932

# Symbols

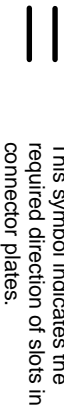
## PLATE LOCATION AND ORIENTATION



Center plate on joint unless x, y offsets are indicated. Dimensions are in ft-in-sixteenths. Apply plates to both sides of truss and fully embed teeth.



For 4 x 2 orientation, locate plates 0- 1/16\" from outside edge of truss.



This symbol indicates the required direction of slots in connector plates.

\* Plate location details available in MITek software or upon request.

## PLATE SIZE

4 X 4

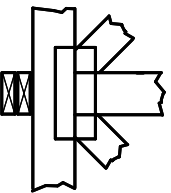
The first dimension is the plate width measured perpendicular to slots. Second dimension is the length parallel to slots.

## LATERAL BRACING LOCATION



Indicated by symbol shown and/or by text in the bracing section of the output. Use T or I bracing if indicated.

## BEARING



Indicates location where bearings (supports) occur. Icons vary but reaction section indicates joint number/letter where bearings occur. Min size shown is for crushing only.

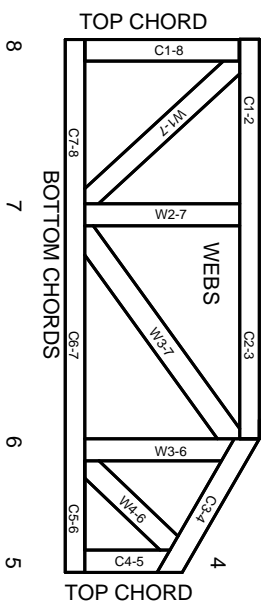
## Industry Standards:

ANSI/TP1: National Design Specification for Metal Plate Connected Wood Truss Construction.  
DSB-22: Design Standard for Bracing.  
BCSI: Building Component Safety Information, Guide to Good Practice for Handling, Installing, Restraining & Bracing of Metal Plate Connected Wood Trusses.

# Numbering System



1 TOP CHORDS  
2 Joint ID typ.



**JOINTS ARE GENERALLY NUMBERED/LETTERED CLOCKWISE AROUND THE TRUSS STARTING AT THE JOINT FARTHEST TO THE LEFT.**

**CHORDS AND WEBS ARE IDENTIFIED BY END JOINT NUMBERS/LETTERS.**

# Product Code Approvals

ICC-ES Reports:

ESR-1988, ESR-2362, ESR-2685, ESR-3282  
ESR-4722, ESL-1388

# Design General Notes

Trusses are designed for wind loads in the plane of the truss unless otherwise shown.

Lumber design values are in accordance with ANSI/TP1 section 6.3. These truss designs rely on Lumber values established by others.

© 2023 MITek® All Rights Reserved

**MITek**

ENGINEERING BY  
**TRENGO**  
A MITek Affiliate

MITek Engineering Reference Sheet: MIL-7473 rev. 1/2/2023

# General Safety Notes

## Failure to Follow Could Cause Property Damage or Personal Injury

1. Additional stability/bracing for truss system, e.g. diagonal or X-bracing, is always required. See BCSI.
2. Truss bracing must be designed by an engineer. For wide truss spacing, individual lateral braces themselves may require bracing, or alternative Tor I bracing should be considered.
3. Never exceed the design loading shown and never stack materials on inadequately braced trusses.
4. Provide copies of this truss design to the building designer, erection supervisor, property owner and all other interested parties.
5. Cut members to bear tightly against each other.
6. Place plates on each face of truss at each joint and embed fully. Knots and wane at joint locations are regulated by ANSI/TP1 1.
7. Design assumes trusses will be suitably protected from the environment in accord with ANSI/TP1 1.
8. Unless otherwise noted, moisture content of lumber shall not exceed 19% at time of fabrication.
9. Unless expressly noted, this design is not applicable for use with fire retardant, preservative treated, or green lumber.
10. Camber is a non-structural consideration and is the responsibility of truss fabricator. General practice is to camber for dead load deflection.
11. Plate type, size, orientation and location dimensions indicated are minimum plating requirements.
12. Lumber used shall be of the species and size, and in all respects, equal to or better than that specified.
13. Top chords must be sheathed or purlins provided at spacing indicated on design.
14. Bottom chords require lateral bracing at 10 ft. spacing, or less, if no ceiling is installed, unless otherwise noted.
15. Connections not shown are the responsibility of others.
16. Do not cut or alter truss member or plate without prior approval of an engineer.
17. Install and load vertically unless indicated otherwise.
18. Use of green or treated lumber may pose unacceptable environmental, health or performance risks. Consult with project engineer before use.
19. Review all portions of this design (front, back, words and pictures) before use. Reviewing pictures alone is not sufficient.
20. Design assumes manufacture in accordance with ANSI/TP1 1 Quality Criteria.
21. The design does not take into account any dynamic or other loads other than those expressly stated.