

GENERAL NOTES:

1. IT IS THE CONTRACTORS RESPONSIBILITY TO VERIFY THAT ALL DIMENSIONS, ROOF PITCHES, AND SQUARE FOOTAGE ARE CORRECT PRIOR TO CONSTRUCTION. K&A HOME DESIGNS, INC. IS NOT RESPONSIBLE FOR ANY DIMENSIONING, ROOF PITCH, OR SQUARE FOOTAGE ERRORS ONCE CONSTRUCTION BEGINS.
2. ALL WALLS SHOWN ON THE FLOOR PLANS ARE DRAWN AT 4" UNLESS NOTED OTHERWISE.
3. ALL ANGLED WALL SHOWN ON THE PLANS ARE 45 DEGREES UNLESS NOTED OTHERWISE.
4. STUD WALL DESIGN SHALL CONFORM TO ALL NORTH CAROLINA STATE BUILDING CODE REQUIREMENTS.
5. DO NOT SCALE PLANS. DRAWING SCALE MAY BE DISTORTED DUE TO COPIER IMPERFECTIONS.
6. ALL CONSTRUCTION SHALL BE IN ACCORDANCE WITH NORTH CAROLINA RESIDENTIAL STATE BUILDING CODE, 2018 EDITION.

SQUARE FOOTAGE

HEATED SQUARE FOOTAGE		UNHEATED SQUARE FOOTAGE	
FIRST FLOOR=	1662	GARAGE=	528
SECOND FLOOR=	320	FRONT PORCH=	116
THIRD FLOOR=	N/A	CVD. PORCH=	158
BASEMENT=	N/A	STORAGE=	712
		OPT. 3 RD CAR =	308
TOTAL HEATED=	1982	TOTAL UNHEATED=	1514

CRAWL SPACE VENTILATION CALCULATIONS

-VENT LOCATIONS MAY VARY FROM THOSE SHOWN ON THE PLAN BUT SHOULD BE PLACED TO PROVIDE ADEQUATE VENTILATION AT ALL POINTS TO PREVENT DEAD AIR POCKETS.

-100% VAPOR BARRIER MUST BE PROVIDED WITH 12" MIN. LAP JOINTS.

-THE TOTAL AREA OF VENTILATION OPENINGS MAY BE REDUCED TO 1/1500 AS LONG AS REQUIRED OPENINGS ARE PLACED SO AS TO PROVIDE CROSS-VENTILATION OF THE SPACE. THE INSTALLATION OF OPERABLE LOUVERS SHALL NOT BE PROHIBITED. (COMPLY WITH NC CODE MIN. WITH REGARD TO VENT PLACEMENT FROM CORNERS)

1662 SQ. FT. OF CRAWL SPACE/1500

1.1 SQ. FT. OF REQUIRED VENTILATION

PROVIDED BY: 3 VENTS AT 0.45 SQ. FT. NET FREE

VENTILATION EACH= 1.35 SQ. FT. OF VENTILATION

****FOUNDATION DRAINAGE- WATERPROOFING PER SECTIONS 405 & 406.**

ATTIC VENTILATION CALCULATIONS

- CALCULATIONS SHOWN BELOW ARE BASED ON VENTILATORS USED AT LEAST 3 FT. ABOVE THE CORNICE VENTS WITH THE BALANCE OF VENTILATION PROVIDED BY EAVE VENTS.

- CATHEDRAL CEILINGS SHALL HAVE A MIN. 1" CLEARANCE BETWEEN THE BOTTOM OF THE ROOF DECK AND THE INSULATION.

2464 SQ. FT. OF ATTIC/300= 8.21

EACH OF INLET AND OUTLET REQUIRED.

***WALL AND ROOF CLADDING DESIGN VALUES**

- WALL CLADDING IS DESIGNED FOR A 24.1 SQ. FT. OR GREATER POSITIVE AND NEGATIVE PRESSURE.

- ROOF VALUES BOTH POSITIVE AND NEGATIVE SHALL BE AS FOLLOWS:

45.5 LBS. PER SQ. FT. FOR ROOF PITCHES OF 0/12 TO 2.25/12

34.8 LBS. PER SQ. FT. FOR ROOF PITCHES OF 2.25/12 TO 7/12

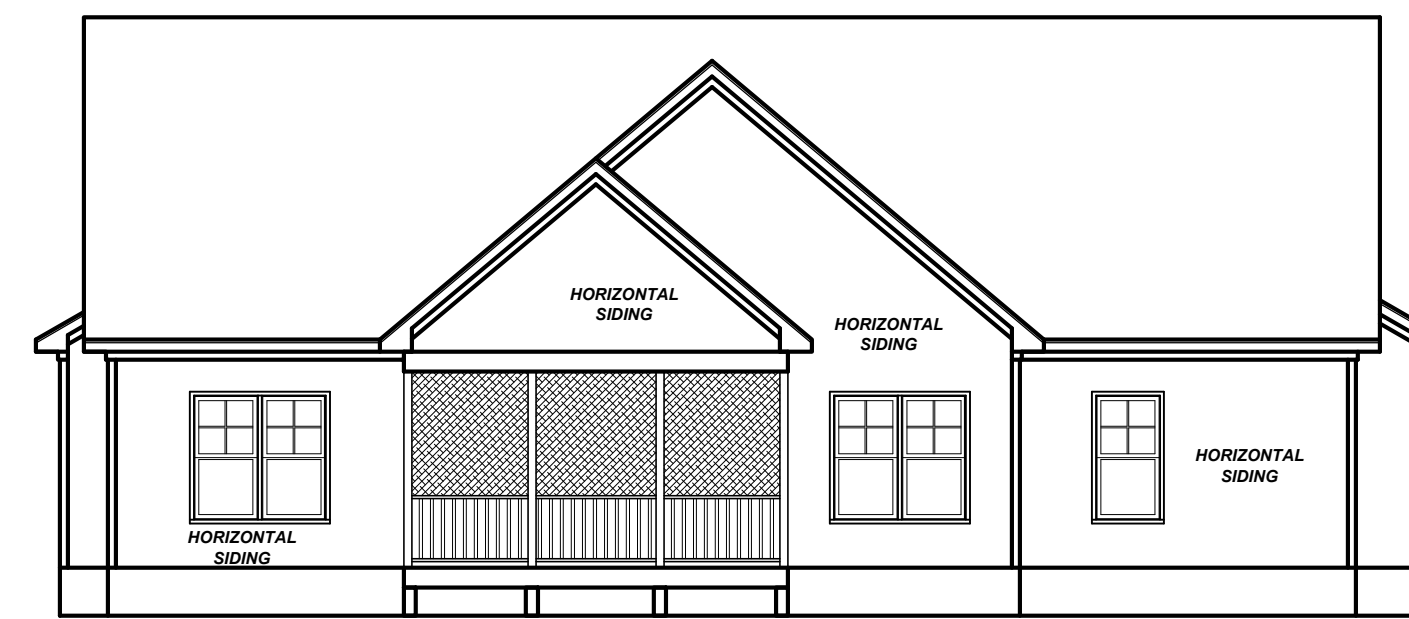
21 LBS. PER SQ. FT. FOR ROOF PITCHES OF 7/12 TO 12/12

**** MEAN ROOF HEIGHT 30' OR LESS**



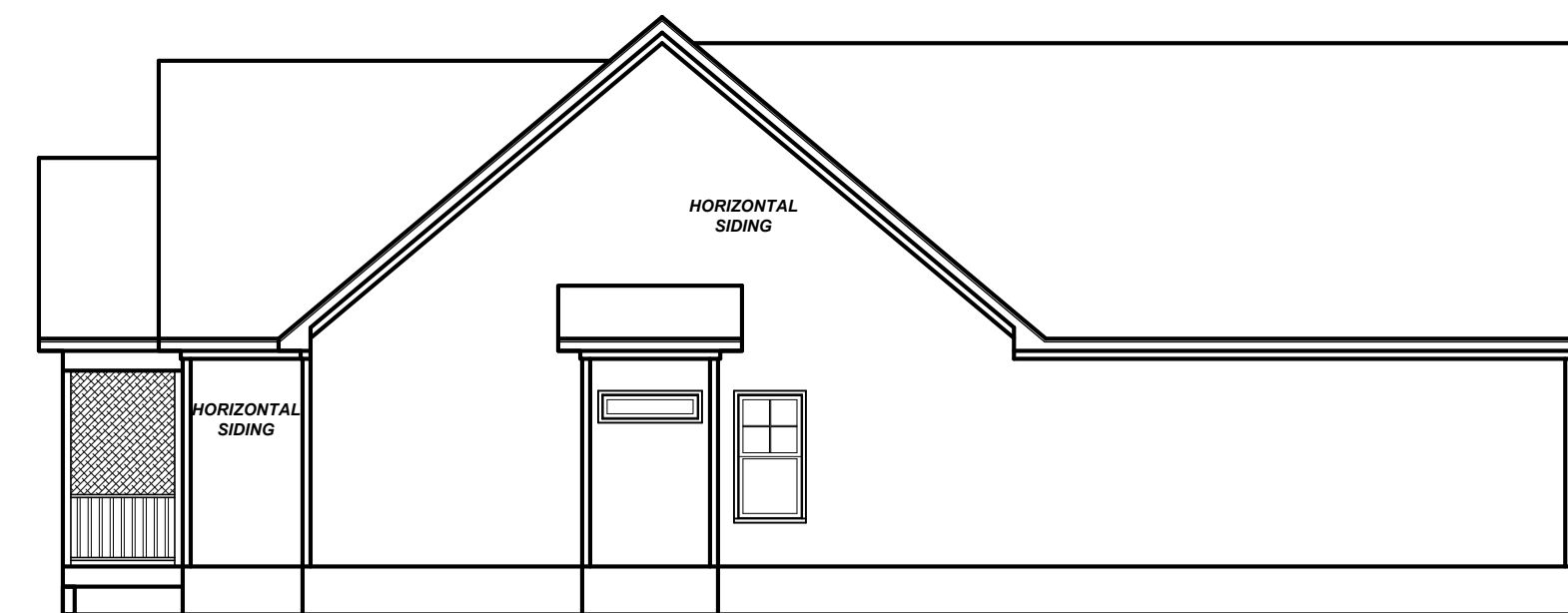
FRONT ELEVATION

1/4" = 1'-0"



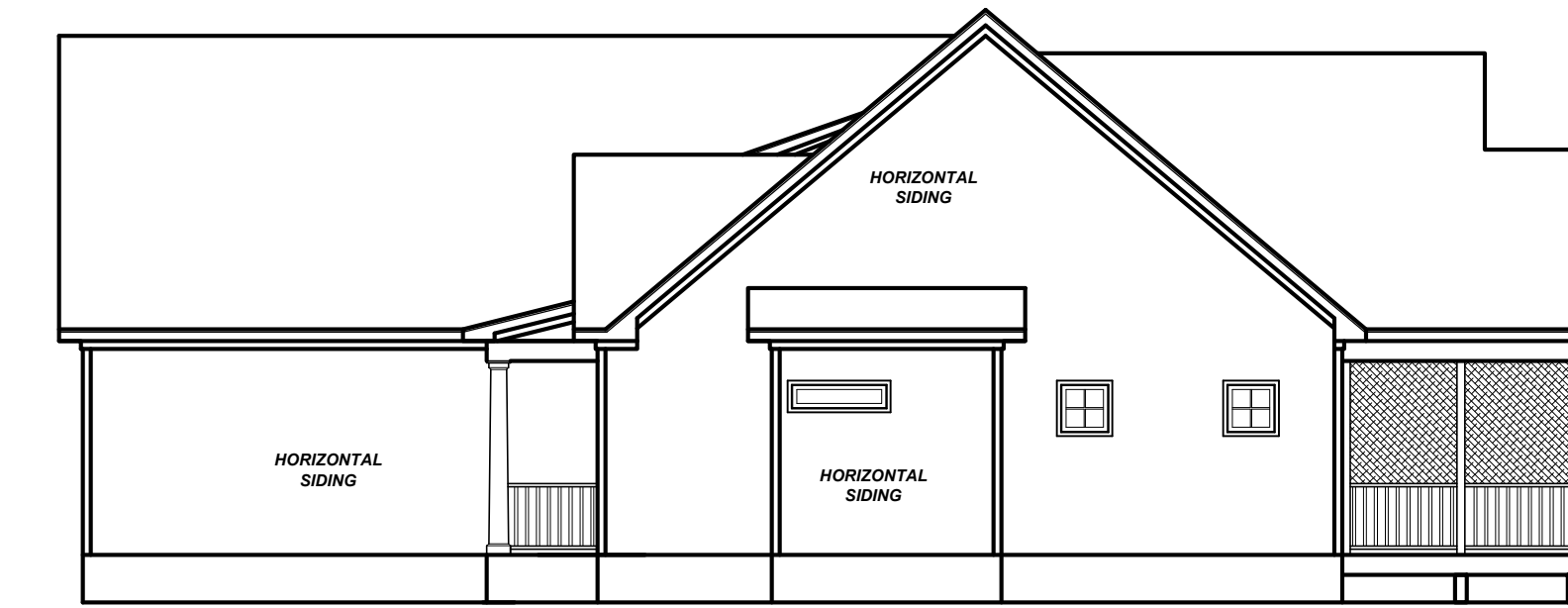
REAR ELEVATION

1/8" = 1'-0"



LEFT ELEVATION

1/8" = 1'-0"



RIGHT ELEVATION

1/8" = 1'-0"

Project No.	20-267
Date	12-21-20
Drawn/Design By.	KBB
Scale:	REFER TO ELEV.

REVISIONS		
No.	Date	Remarks
1		
2		
3		
4		

9101 Ten-Ten Rd.
Raleigh, NC 27603
Office: (919) 302-0693



Website: www.KandAHomeDesigns.com

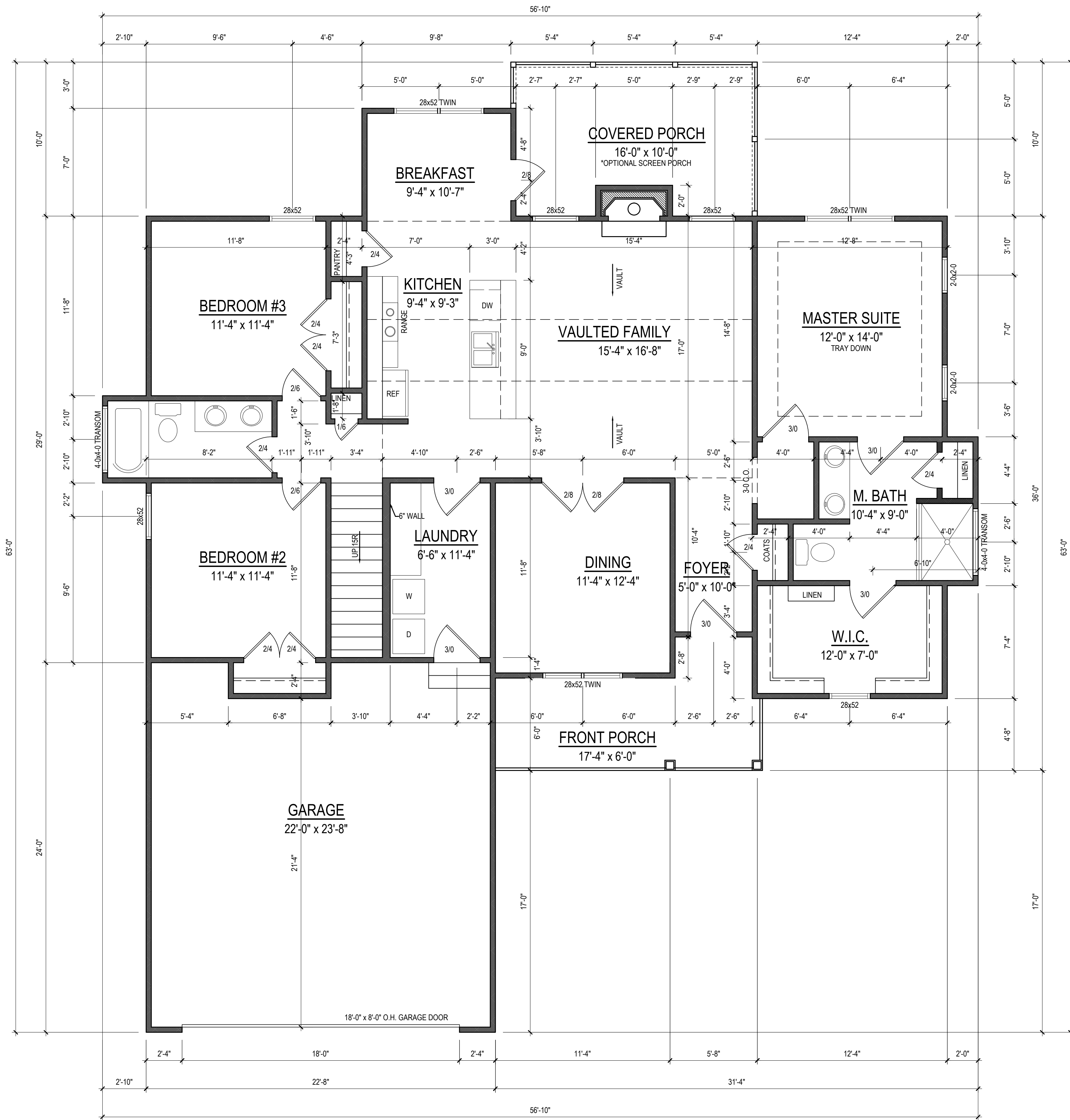
Email: Kent@KandAHomeDesigns.com

Holly Plan
(Garage Left)

Southern Touch Homes
LLC.
P.O. Box 2135
Angier, NC 27501

ELEVATIONS

Sheet Number
1
of 3



FIRST FLOOR PLAN
 1/4" = 1'-0" CEILING HT. = 9'-0"

Project No.
 20-267
 Date:
 12-21-20
 Drawn/Design By:
 KBB
 Scale:
 1/4" = 1'-0"

REVISIONS		
No.	Date	Remarks
1		
2		
3		
4		

9101 Ten-Ten Rd.
 Raleigh, NC 27603
 Office: (919) 302-0693



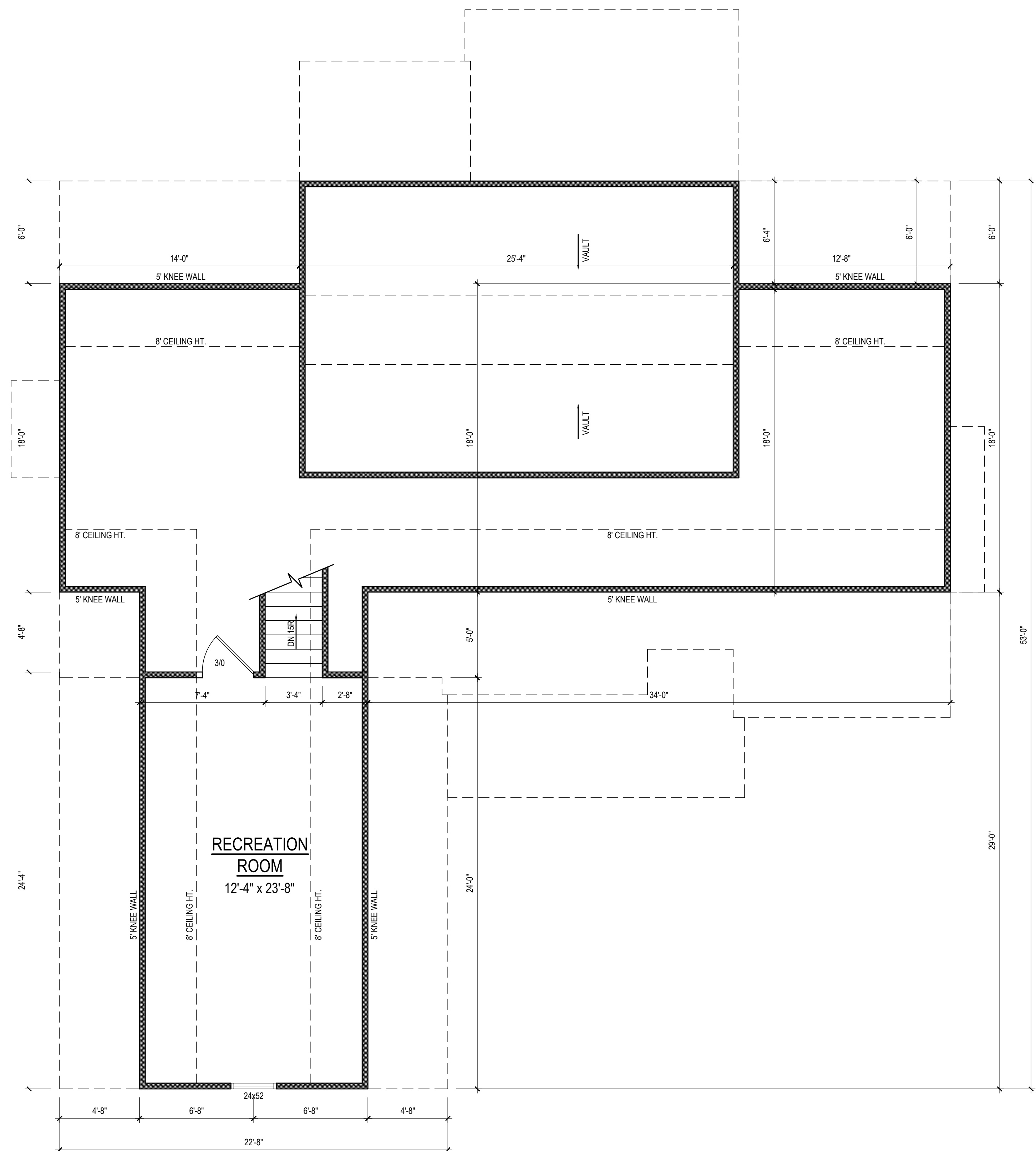
Website: www.KandAHomeDesigns.com
 Email: Kent@KandAHomeDesigns.com

Project Name:
Holly Plan
 (Garage Left)

Client Name:
Southern Touch Homes
 LLC.
 P.O. Box 2135
 Angier, NC 27501

FIRST FLOOR

Sheet Number
2
 of 3



SECOND FLOOR PLAN
 1/4" = 1'-0" CEILING HT. = 8'-0"

Project #:	20-267
Date:	12-21-20
Drawn/Design By:	KBB
Scale:	1/4" = 1'-0"

REVISIONS		
No.	Date	Remarks
1		
2		
3		
4		

9101 Ten-Ten Rd.
 Raleigh, NC 27603
 Office: (919) 302-0693



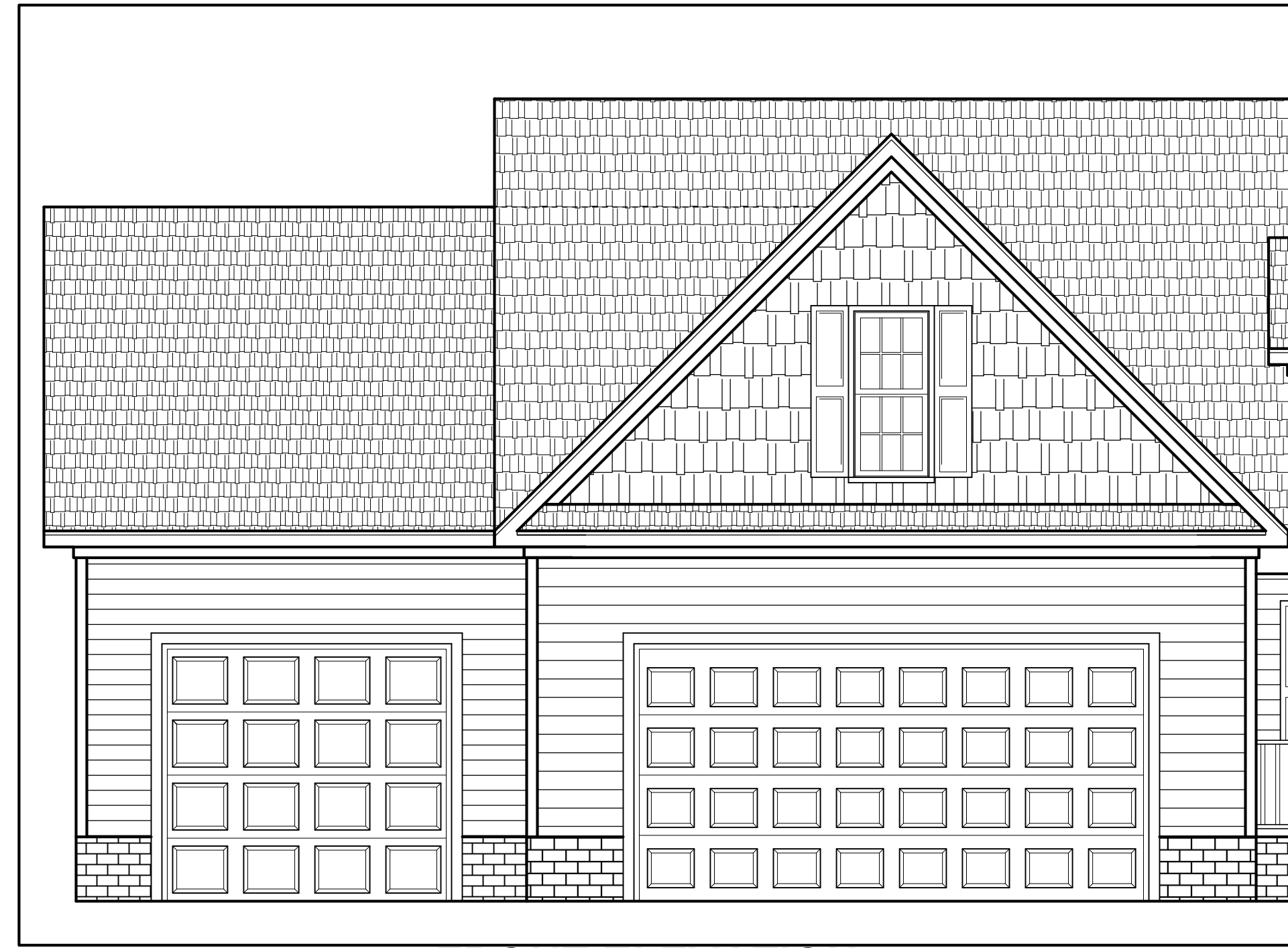
Holly Plan
 (Garage Left)

Southern Touch Homes
 LLC.
 P.O. Box 2135
 Angier, NC 27501

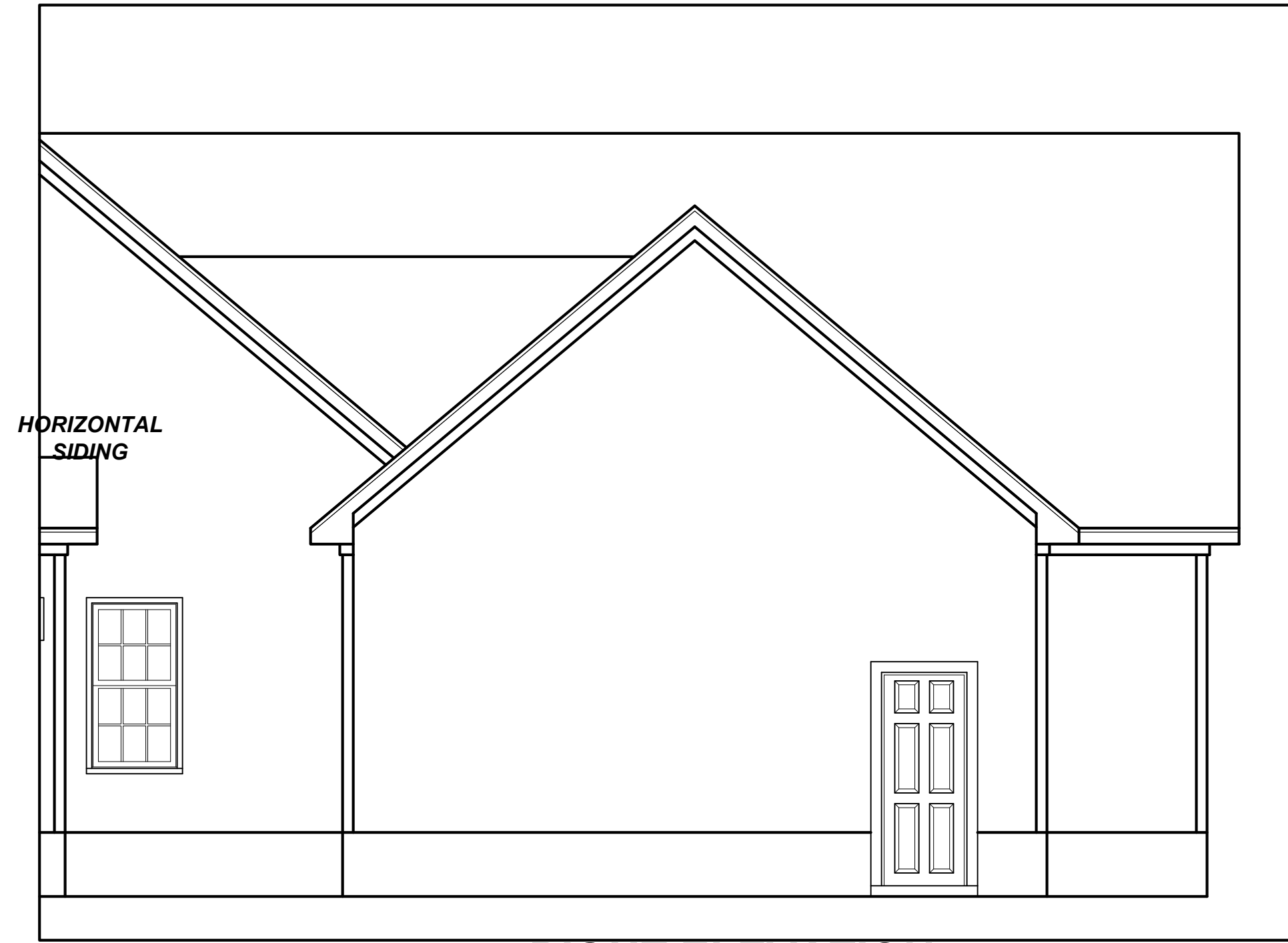
SECOND FLOOR

Sheet Number
3
 of 3

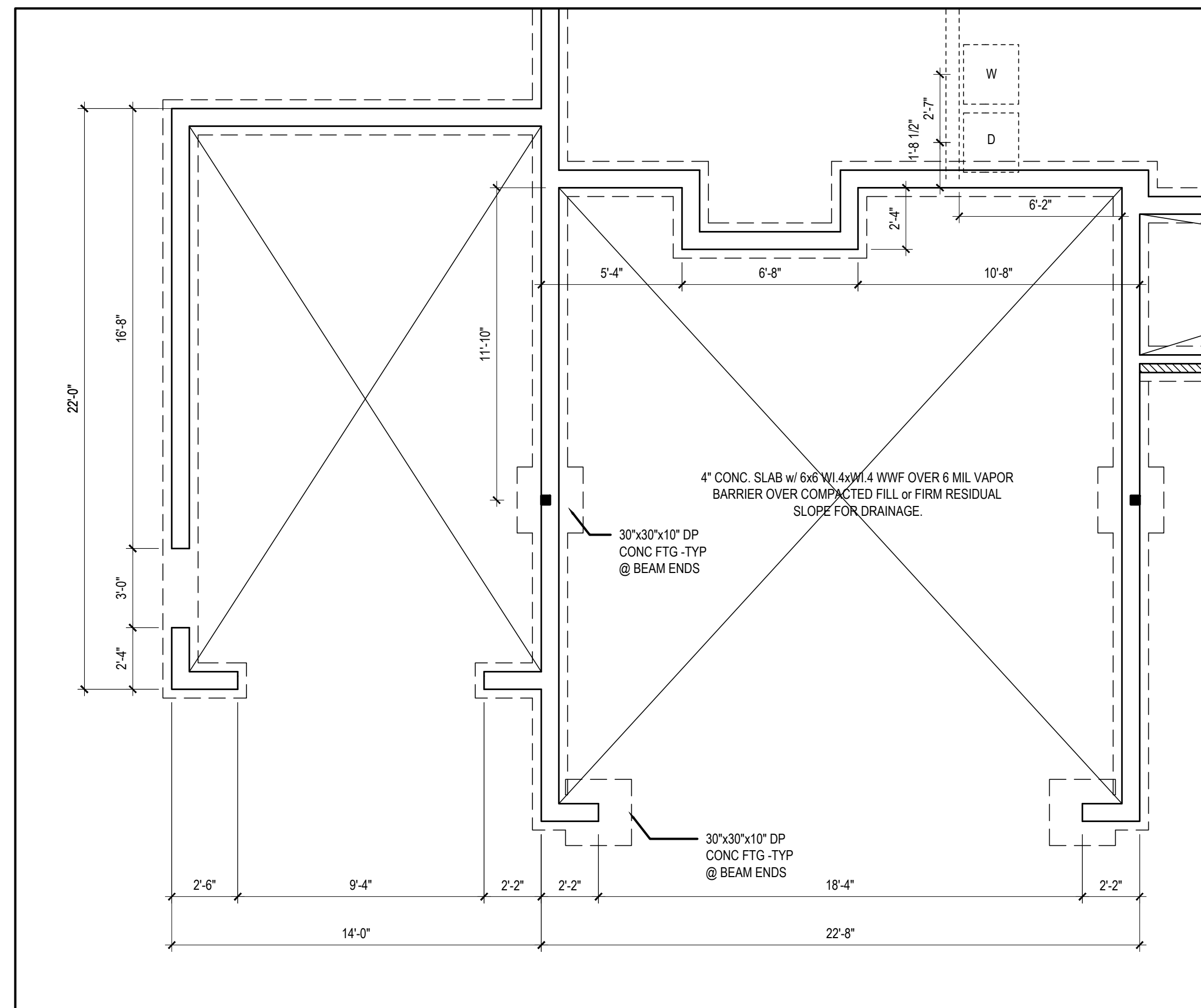
Email: Kent@KandAHomeDesigns.com Website: www.KandAHomeDesigns.com



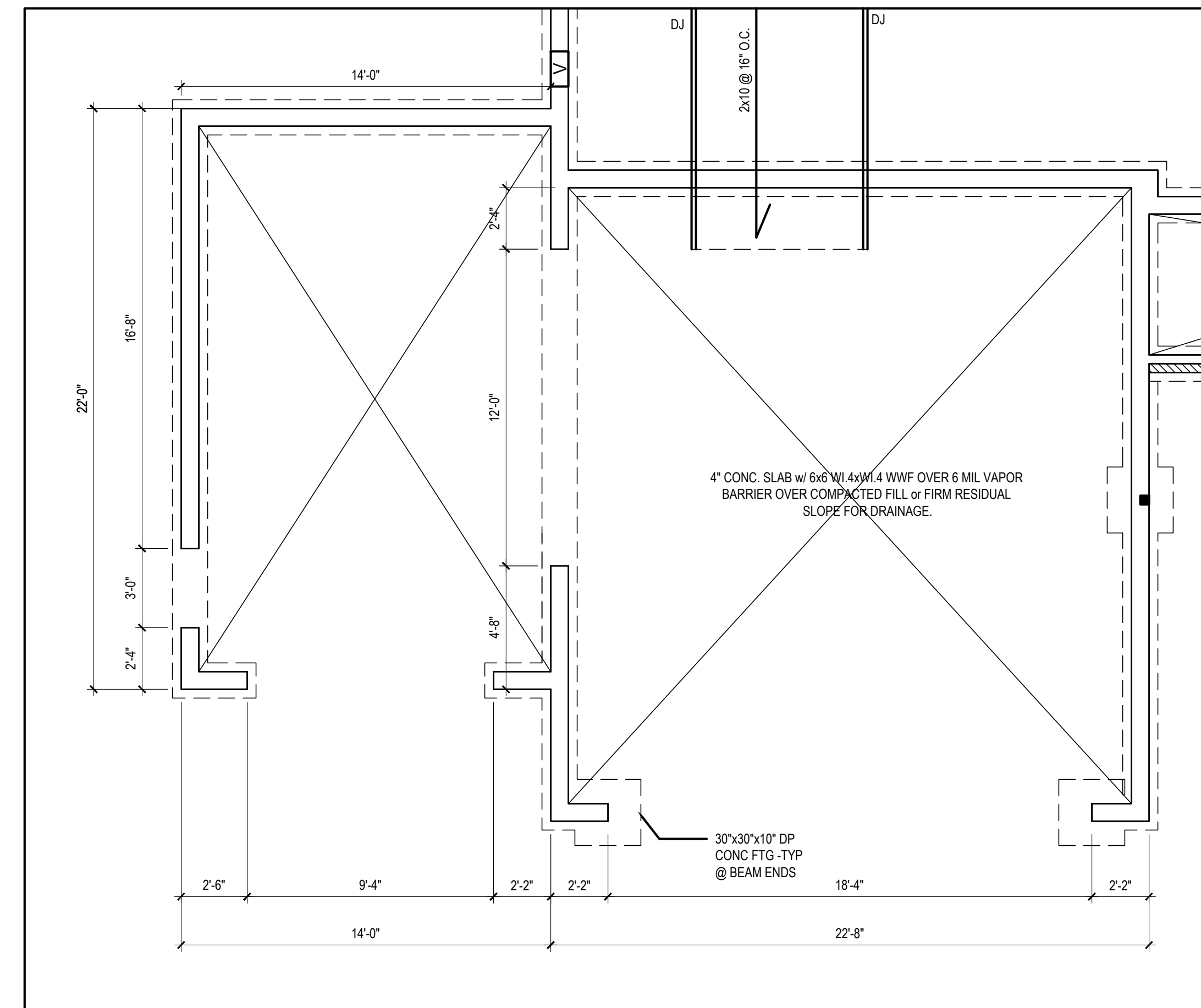
FRONT ELEVATION
1/4" = 1'-0"



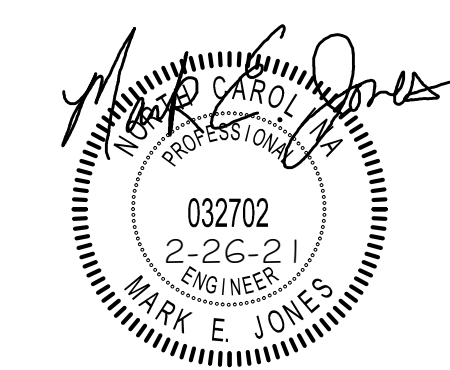
RIGHT ELEVATION
1/4" = 1'-0"



STEM WALL PLAN
1/4" = 1'-0"



FOUNDATION PLAN
1/4" = 1'-0"



Project #:	20-267
Date:	12-21-20
Drawn/Design By:	KBB
Scale:	1/4" = 1'-0"

REVISIONS		
No.	Date	Remarks
1		
2		
3		
4		

9101 Ten-Ten Rd.
Raleigh, NC 27603
Office: (919) 302-0693



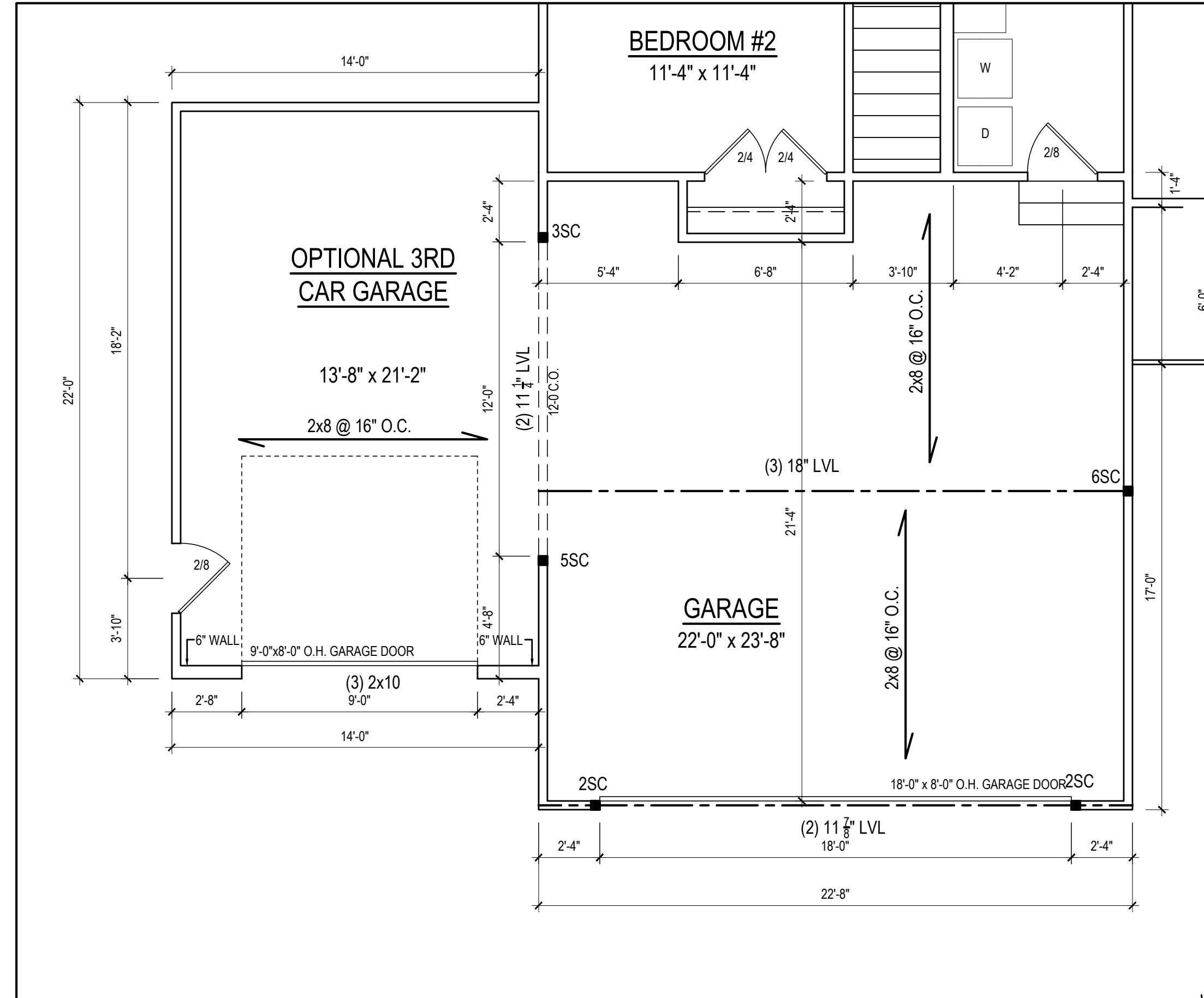
Email: Kent@KandAHomeDesigns.com
Website: www.KandAHomeDesigns.com

Project Name:
Holly Plan
(Garage Left)

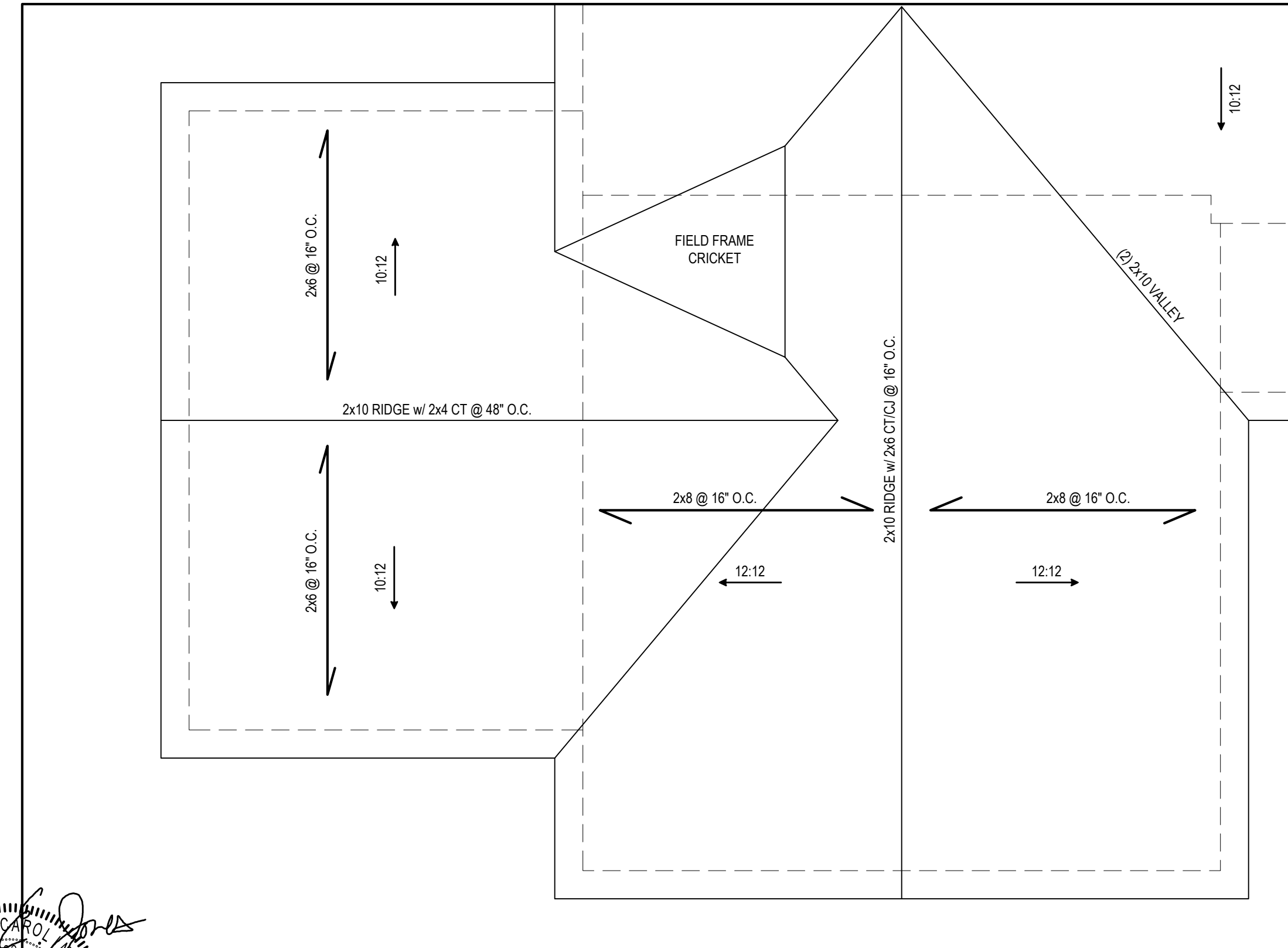
Client Name:
Southern Touch Homes
LLC.
P.O. Box 2135
Angier, NC 27501

THIRD CAR OPTION

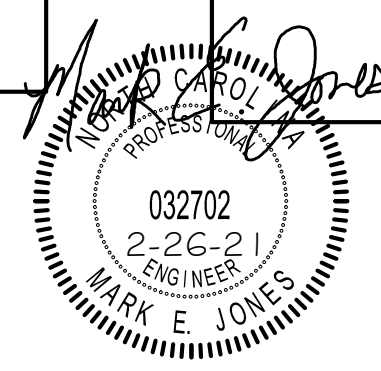
Sheet Number
1
of 2



FIRST FLOOR PLAN
1/4" = 1'-0" CEILING HT. = 9'-0"



ROOF PLAN
1/4" = 1'-0"



Project No.	20-267
Date	12-21-20
Drawn/Design By.	KBB
Scale	1/4" = 1'-0"

REVISIONS		
No.	Date	Remarks
1		
2		
3		
4		

9101 Ten-Ten Rd.
Raleigh, NC 27603
Office: (919) 302-0693



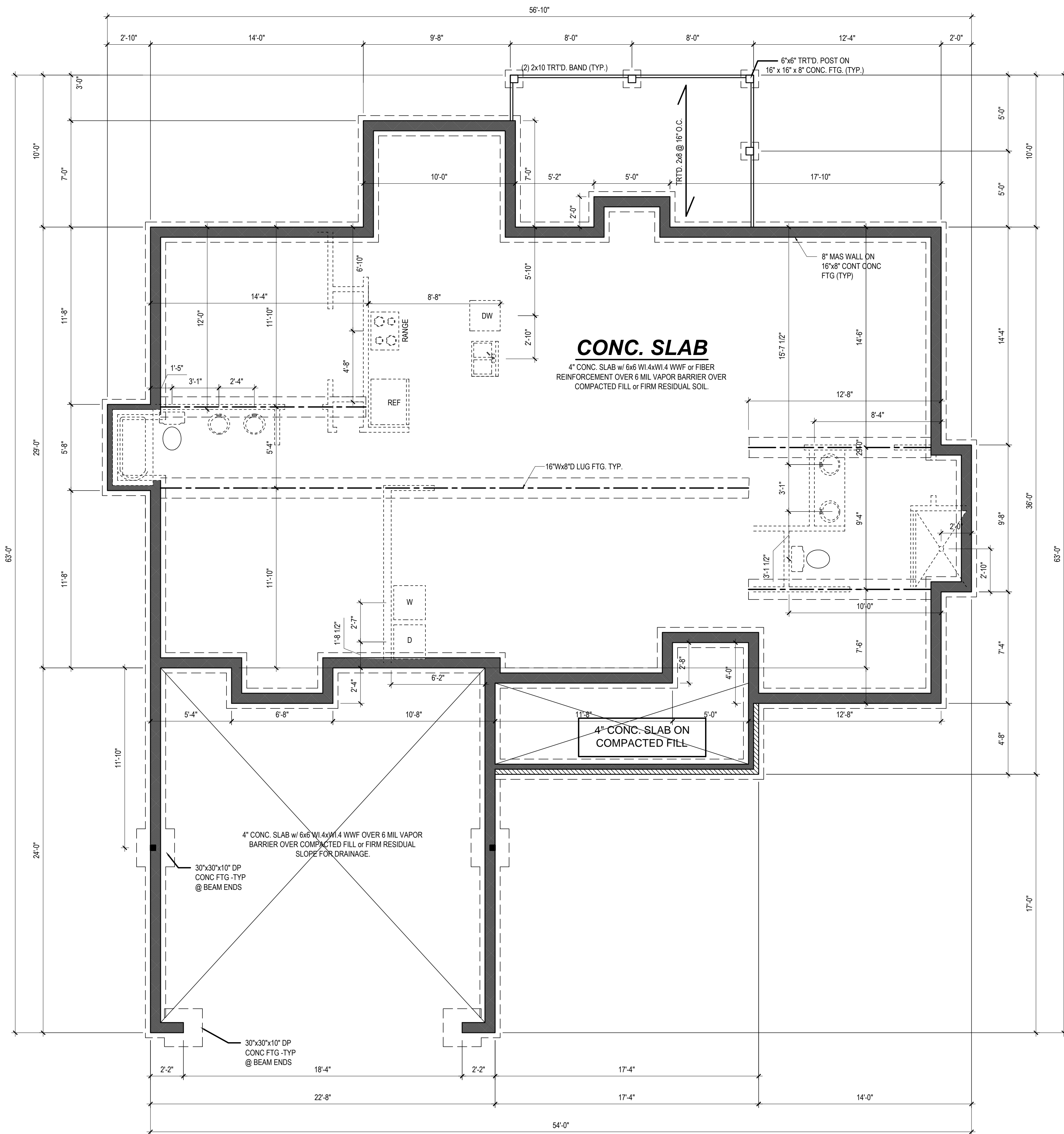
Email: Kent@KandAHomeDesigns.com Website: www.KandAHomeDesigns.com

Holly Plan
(Garage Left)

Southern Touch Homes
LLC.
P.O. Box 2135
Angier, NC 27501

THIRD CAR OPTION

Sheet Number
1
of 2



STEM WALL PLAN
1/4" = 1'-0"

Engineers seal does not include construction means, methods, techniques, sequences, procedures or safety precautions. Any deviations or discrepancies on plans are to be brought to the immediate attention of Mark E. Jones, PE. Failure to do so will void Mark E. Jones, PE liability.
Please review these documents carefully. Mark E. Jones, PE will interpret that all dimensions, recommendations, etc. presented in these documents were deemed acceptable once construction begins.

Mark E. Jones
Professional Engineer
032702
2-26-21
MARK E. JONES

Mark E. Jones, PE
6425 Glen Dean Court
Raleigh, NC 27603
(919) 395-5618

Project Name:
Holly Plan
(Garage Left)

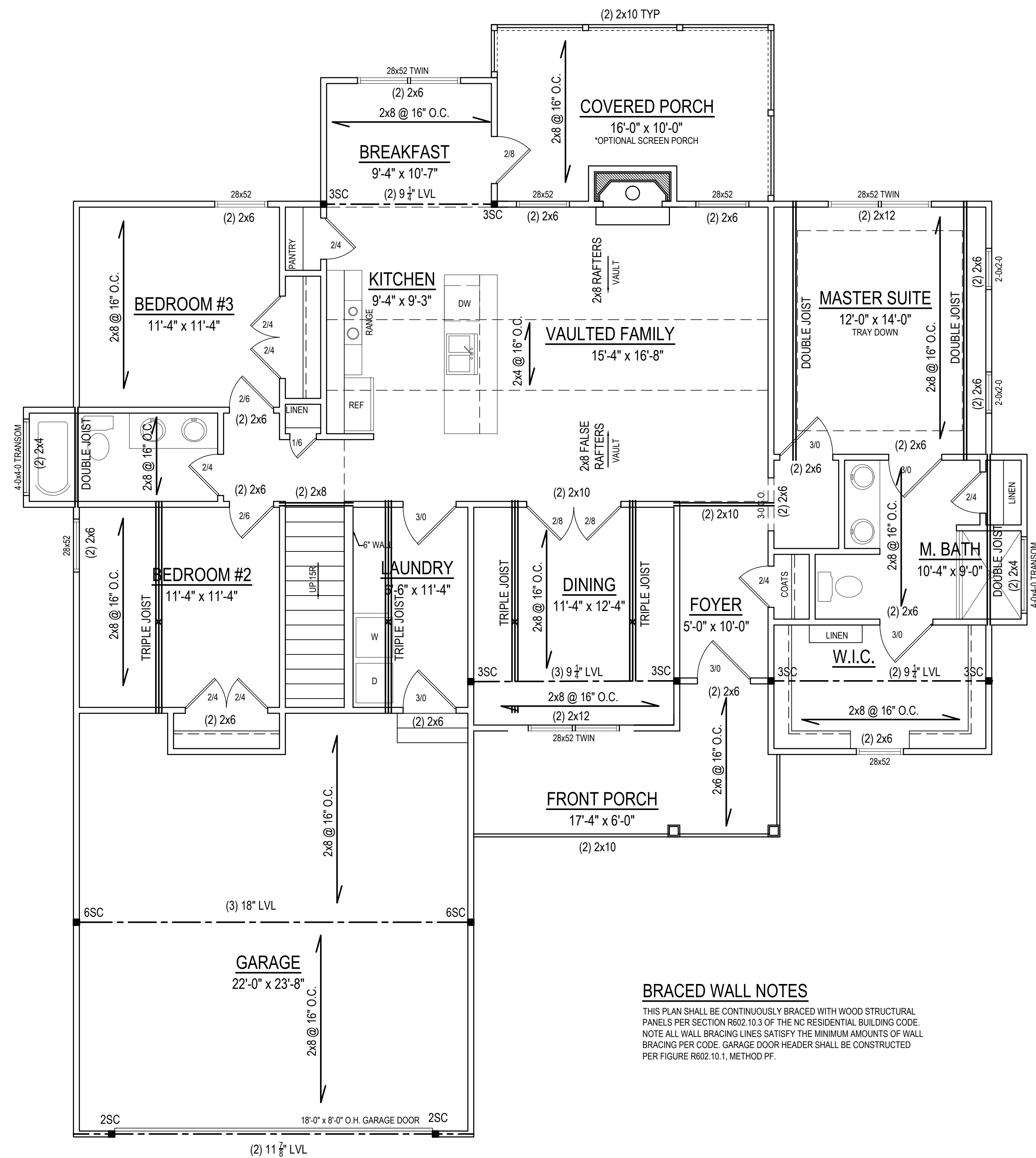
Client Name:
Southern Touch Homes LLC.
P.O. Box 2135
Angier, NC 27501

Project #: 21-024
Date: 2/26/21
Drawn/Design By: MEJ
DWG. Checked By: MEJ
Scale: 1/4" = 1'-0"

REVISIONS		
No.	Date	Remarks
1		
2		
3		
4		

FOUND (SLAB)

Sheet Number
S1
of 6



BRACED WALL NOTES

THIS PLAN SHALL BE CONTINUOUSLY BRACED WITH WOOD STRUCTURAL PANELS PER SECTION R602.10.3 OF THE NC RESIDENTIAL BUILDING CODE. NOTE ALL WALL BRACING LINES SATISFY THE MINIMUM AMOUNTS OF WALL BRACING PER CODE. GARAGE DOOR HEADER SHALL BE CONSTRUCTED PER FIGURE R602.10.1, METHOD PF.

FIRST FLOOR STRUCTURAL PLAN

1/4" = 1'-0"

CEILING HT. = 9'-0"

Engineers seal does not include construction means, methods, techniques, sequences, procedures or safety precautions. Any deviations or discrepancies on plans are to be brought to the immediate attention of Mark E. Jones, PE. Failure to do so will void Mark E. Jones, PE liability. Please review these documents carefully. Mark E. Jones, PE will interpret that all dimensions, recommendations, etc. presented in these documents were deemed acceptable once construction begins.

Mark E. Jones
 PROFESSIONAL ENGINEER
 032702
 2-26-21
 MARK E. JONES

Mark E. Jones, PE
 6425 Glen Dean Court
 Raleigh, NC 27603
 (919) 395-5618

Holly Plan
 (Garage Left)

Southern Touch Homes
 LLC.
 P.O. Box 2135
 Angier, NC 27501

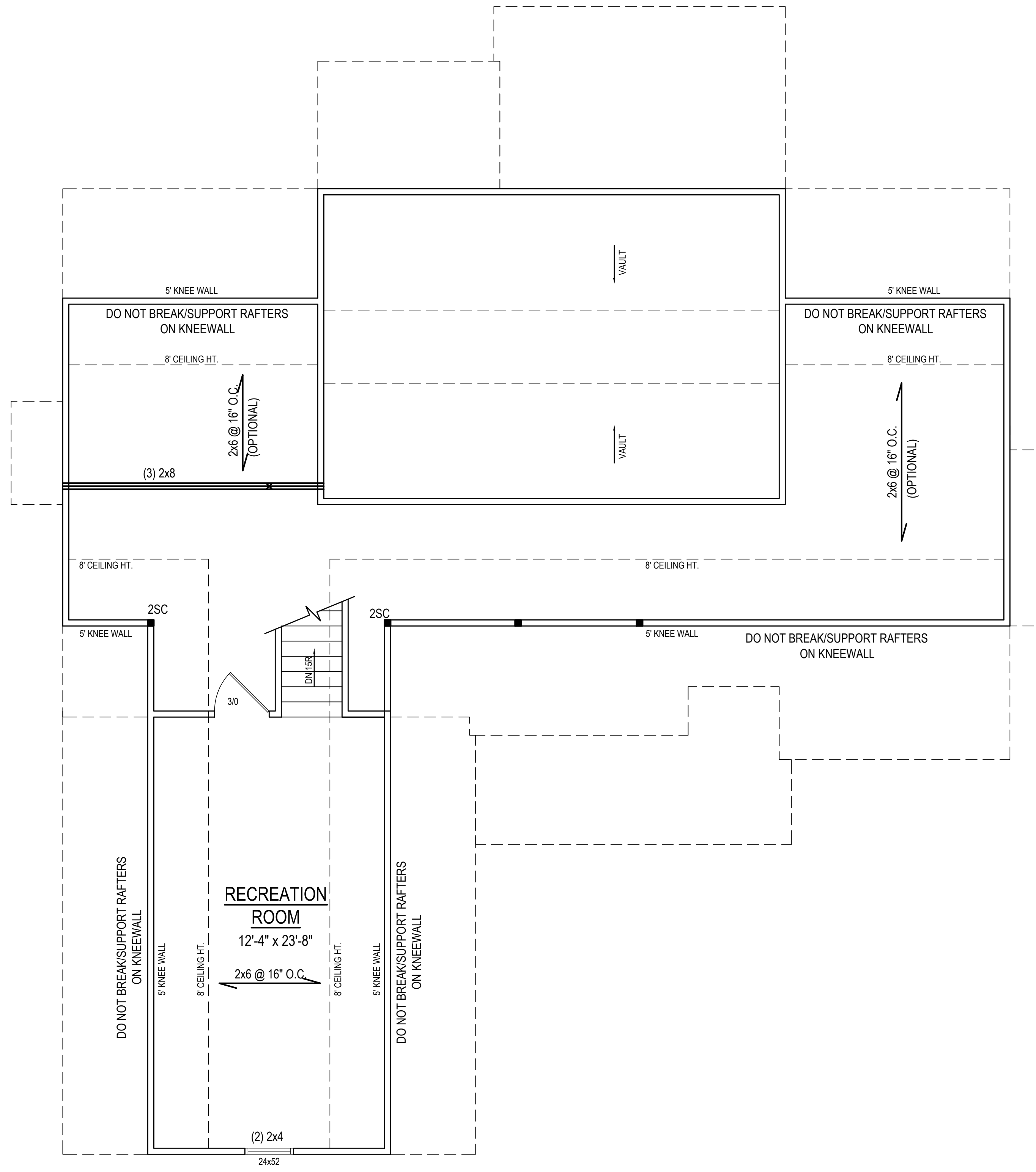
Client Name: _____
 Project #: 21-024
 Date: 2/26/21
 Drawn/Design By: MEJ
 DWG. Checked By: MEJ
 Scale: 1/4" = 1'-0"

REVISIONS

No.	Date	Remarks
1		
2		
3		
4		

1ST FLR STRUC

Sheet Number
S3
 of 6



SECOND FLOOR STRUCTURAL PLAN
 1/4" = 1'-0" CEILING HT. = 8'-0"

Engineers shall not include construction means, methods, techniques, sequences, procedures or safety precautions. Any deviations or discrepancies on plans are to be brought to the immediate attention of Mark E. Jones, PE. Failure to do so will void Mark E. Jones, PE liability.
 Please review these documents carefully. Mark E. Jones, PE will interpret that all dimensions, recommendations, etc. presented in these documents were deemed acceptable once construction begins.

Mark E. Jones, PE
 6425 Glen Dean Court
 Raleigh, NC 27603
 (919) 395-5618

Holly Plan
 (Garage Left)

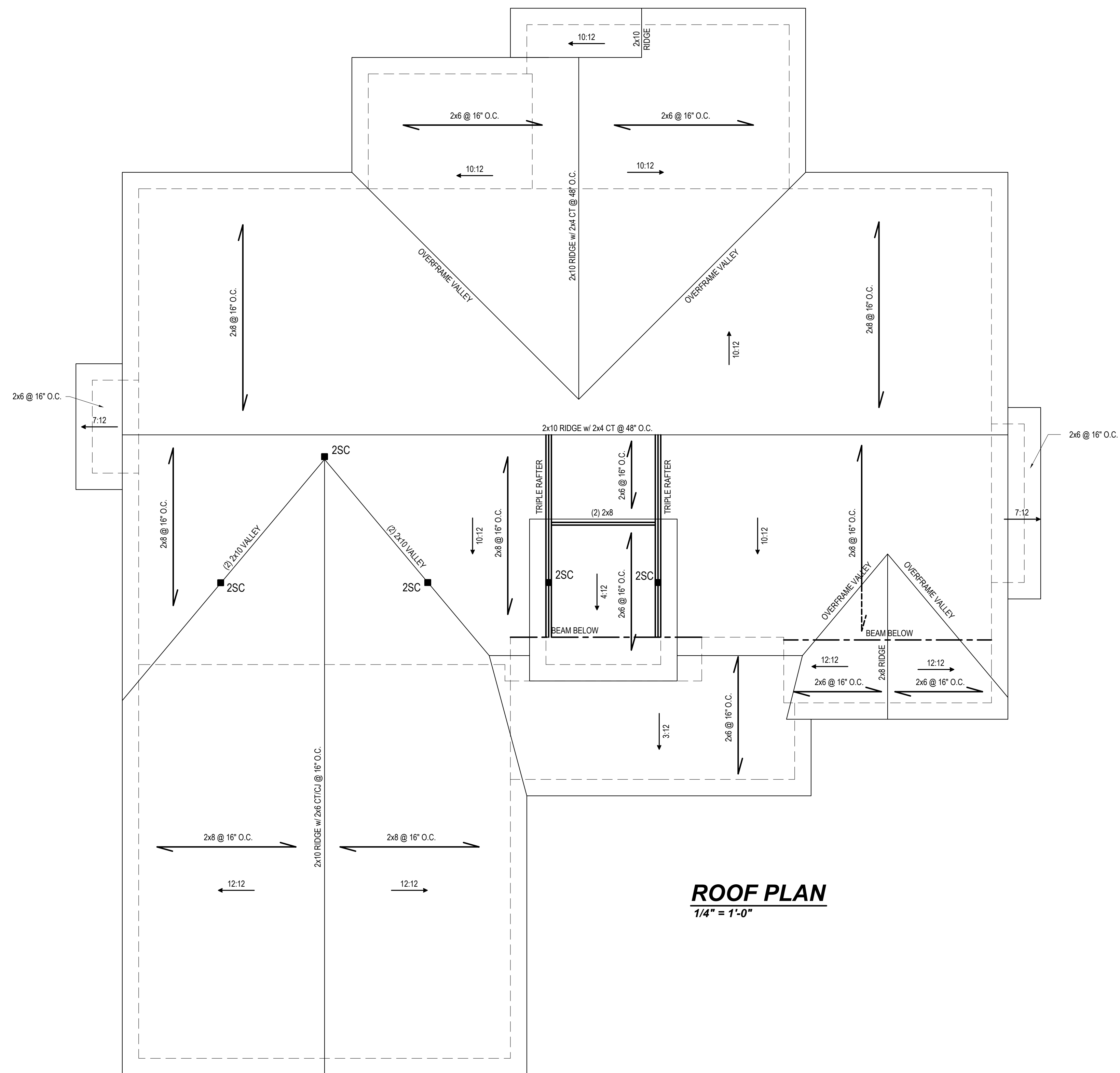
Southern Touch Homes LLC.
 P.O. Box 2135
 Angier, NC 27501

Project #:	21-024
Date:	2/26/21
Drawn/Design By:	MEJ
DWG. Checked By:	MEJ
Scale:	1/4" = 1'-0"

REVISIONS		
No.	Date	Remarks
1		
2		
3		
4		

2ND FLR STRUC

Sheet Number
S4
 of 6



ROOF PLAN
1/4" = 1'-0"

Engineers seal does not include construction means, methods, techniques, sequences, procedures or safety precautions.
Any deviations or discrepancies on plans are to be brought to the immediate attention of Mark E. Jones, PE.
Failure to do so will void Mark E. Jones, PE liability.
Please review these documents carefully. Mark E. Jones, PE will interpret that all dimensions, recommendations, etc. presented in these documents were deemed acceptable once construction begins.

Mark E. Jones, PE
6425 Glen Dean Court
Raleigh, NC 27603
(919) 395-5618

Holly Plan
(Garage Left)

Southern Touch Homes LLC.
P.O. Box 2135
Angier, NC 27501

Project #: 21-024
Date: 2/26/21
Drawn/Design By: MEJ
DWG. Checked By: MEJ
Scale: 1/4" = 1'-0"

REVISIONS		
No.	Date	Remarks
1		
2		
3		
4		

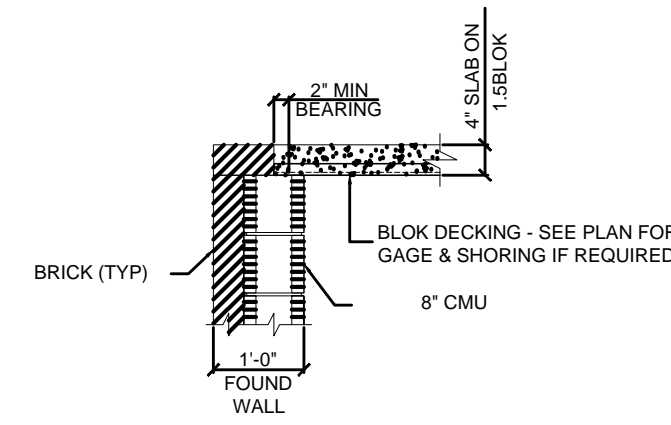
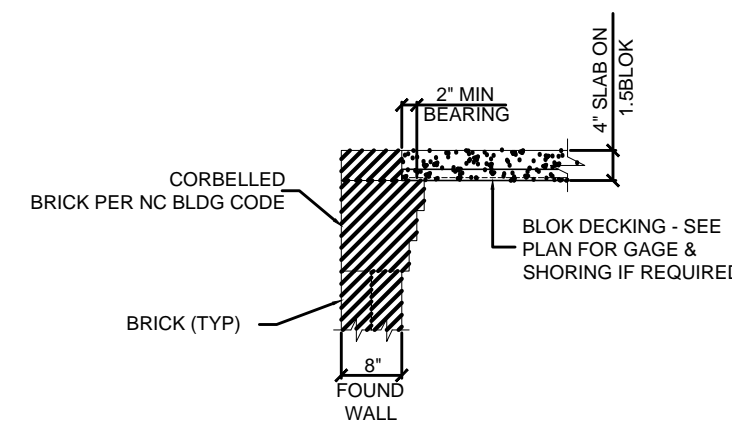
ROOF
Sheet Number
S5
of 6

STRUCTURAL NOTES

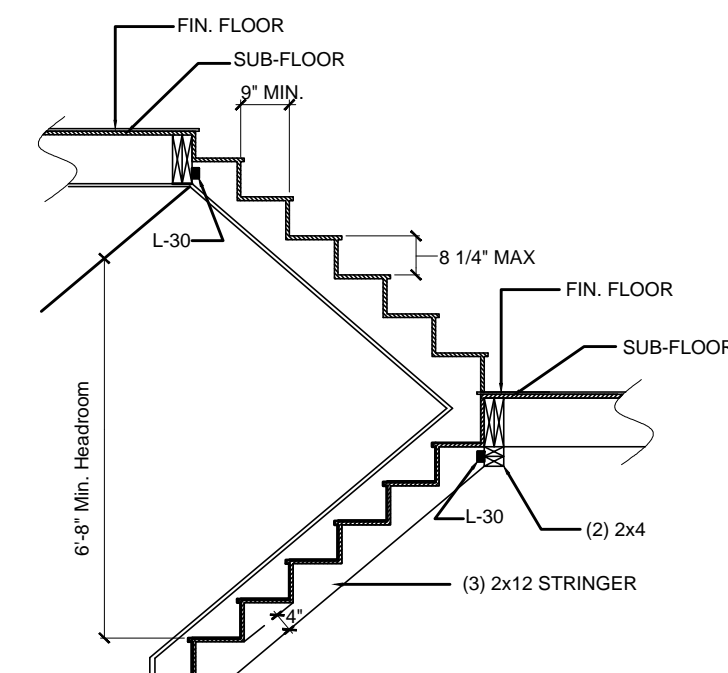
- 1) ALL CONSTRUCTION SHALL CONFORM TO THE LATEST REQUIREMENTS OF NORTH CAROLINA STATE 2018 RESIDENTIAL BUILDING CODE; IN ADDITION TO ALL LOCAL CODES AND REGULATIONS.
- 2) DESIGN LOADS:

	LINE LOAD (PSF)	DEAD LOAD (PSF)	DEFLECTION (DL & LL)
ALL FLOORS	40	10	L/360
ATTIC (if applicable)	20	10	L/240
ATTIC (if not applicable)	10	5	L/240
EXTERNAL BALCONY	60	10	L/360
ROOF	20	10	L/180
ROOF TRUSS	20	20	L/240
WIND LOAD	(BASED ON 115 MPH (3-second gust))		
- 3) MINIMUM ALLOWABLE SOIL BEARING PRESSURE = 2000 PSF
- 4) CONCRETE SHALL HAVE A MINIMUM 28 DAY STRENGTH OF 3000 PSI AND A MAXIMUM SLUMP OF FIVE INCHES UNLESS NOTED OTHERWISE (L/30).
- 5) MAXIMUM DEPTH OF UNBALANCED FILL AGAINST FOUNDATION WALLS TO BE LESS THAN 4'-0" WITHOUT USING SUFFICIENT WALL BRACING. REFER TO SECTION R401 OF 2018 NC BUILDING CODE FOR BACKFILL LIMITATIONS BASED ON WALL HEIGHT, WALL THICKNESS, SOIL TYPE, AND UNBALANCED BACKFILL HEIGHT.
- 6) ALL FRAMING LUMBER SHALL BE #1 OR #2 (2-2 TO 3-3) (KNO). ALL FRAMING LUMBER EXPOSED TO THE ELEMENTS SHALL BE TREATED MATERIAL.
- 7) ALL LOAD BEARING HEADERS SHALL BE (2)2x10 (KNO). ALL WINDOW AND DOOR HEADERS SHALL BE SUPPORTED BY (1) JACK STUD AND (1) KING STUD AT EACH END UNLESS NOTED. ALL OTHER BEAMS SHALL BE SUPPORTED BY 2 STUDS OR THE AMOUNT OF STUDS REQUIRED FOR FULL BEARING AT EACH END UNLESS NOTED. POINT LOADS (STIFF KNEES, ETC.) SHALL CONSIST OF 2 STUDS UNLESS NOTED. ALL SUPPORTS OF 2 STUDS OR MORE SHALL BE TRANSFERRED THROUGH EACH FLOOR TO THE FOUNDATION.
- 8) ALL EXTERIOR WALLS TO BE SHEATHED WITH MIN. 7/16" WOOD STRUCTURAL PANELS FASTENED WITH 8D NAILS @ 6" O.C. AT EDGES AND 12" O.C. AT INT. SUPPORTS. BLOCKING SHALL BE INSTALLED @ LESS THAN 50% PERCENT OF THE WALL LENGTH IS SHEATHED. WHERE BLOCKING IS REQD. ALL PANELS SHALL BE FASTENED 3" O.C. AT EDGES AND 6" O.C. AT INT. SUPPORTS.
- 9) ALL STRUCTURAL STEEL SHALL ASTM A-36. STEEL BEAMS SHALL BE SUPPORTED AT EACH END WITH A MINIMUM BEARING LENGTH OF 3x1/2" INCHES AND FULL FLANGE WIDTH. PROVIDE SOLID BEARING FROM BEAM SUPPORT TO FOUNDATION. BEAMS SHALL BE ATTACHED TO EACH SUPPORT WITH TWO LAG SCREWS (1/2" DIAMETER AND 4" LONG). LATERAL SUPPORT IS CONSIDERED ADEQUATE PROVIDED THE JOISTS ARE TIE NAILED TO THE SOLE PLATES, AND THE SOLE PLATES ARE NAILED OR BOLTED TO THE BEAM FLANGES @ 48" O.C.
- 10) ANCHOR BOLT PLACEMENT PER SECTION R403.1.6. 1/2" DIAMETER ANCHOR BOLTS SPACED AT 6'-0" O.C. AND PLACED 12" FROM THE END OF EACH PLATE SECTION.
- 11) FOUNDATION DRAINAGE: DAMP PROOFING OR WATERPROOFING PER SECTION 405 AND 406 OF 2018 NC BUILDING CODE.
- 12) WALL AND ROOF GLAZING VALUES:
 - WALL GLAZING SHALL BE DESIGNED FOR A 24.1 SQ. FT. OR GREATER POSITIVE AND NEGATIVE PRESSURE.
 - ROOF VALUES BOTH POSITIVE AND NEGATIVE SHALL BE AS FOLLOWS:
 - 45.5 LBS/SQ. FT. FOR ROOF PITCHES OF 0/12 TO 2.25/12
 - 34.5 LBS/SQ. FT. FOR ROOF PITCHES OF 2.25/12 TO 7/12
 - 21.0 LBS/SQ. FT. FOR ROOF PITCHES OF 7/12 TO 12/12
 - **MEAN ROOF HEIGHT 30' OR LESS**
- 13) FOR ROOF SLIPS FROM 2:12 THROUGH 4:12, BUILDER TO INSTALL 2 LAYERS OF 15# FELT PAPER.
- 14) IT IS THE CONTRACTOR'S RESPONSIBILITY TO VERIFY ALL DIMENSIONS AND SQ. FTG. ERRORS ONCE CONSTRUCTION BEGINS. DESIGNER IS NOT RESPONSIBLE FOR DIMENSIONING OR SQ. FTG. ERRORS ONCE CONSTRUCTION BEGINS.

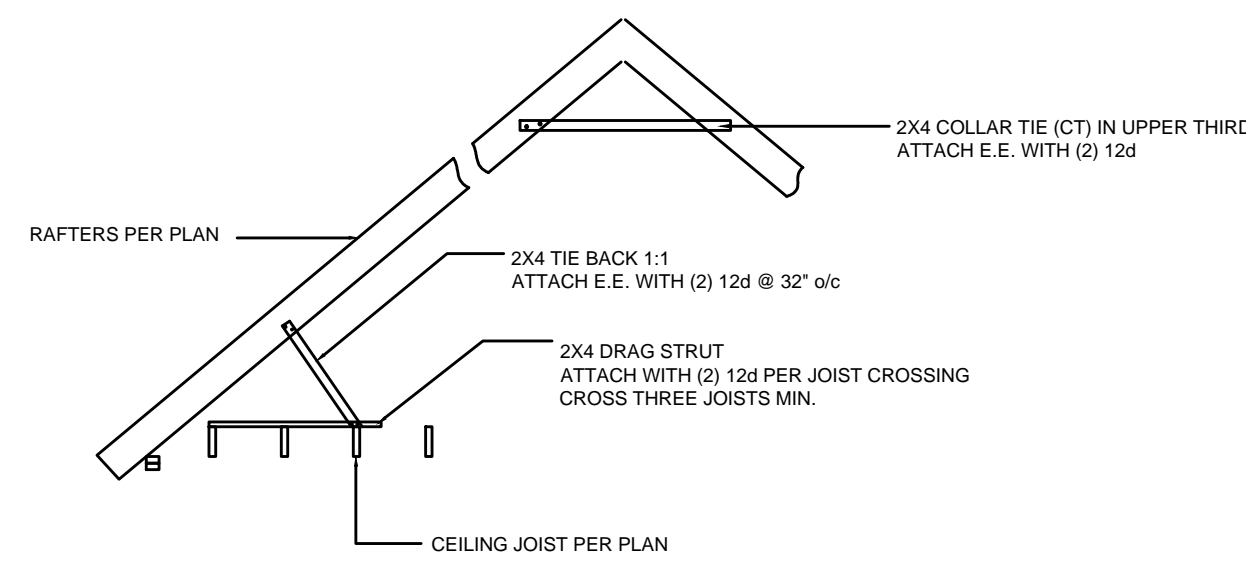
CLIMATE ZONE	MAXIMUM GLAZING U-FACTOR	MINIMUM INSULATION R-VALUE				
		CEILING	WALLS	FLOORS	BASEMENT WALLS	SLAB PERIMETER
3	.35	R-38 or R-30	R-15	R-19	R-5/13	R-0
4	.35	R-38 or R-30	R-15	R-19	R-10/15	R-10



CONCRETE SLAB ON METAL DECKING DETAIL



TYPICAL STAIRWAY DETAIL



1. MAXIMUM HEIGHT OF DECK SUPPORT POSTS AS FOLLOWS:

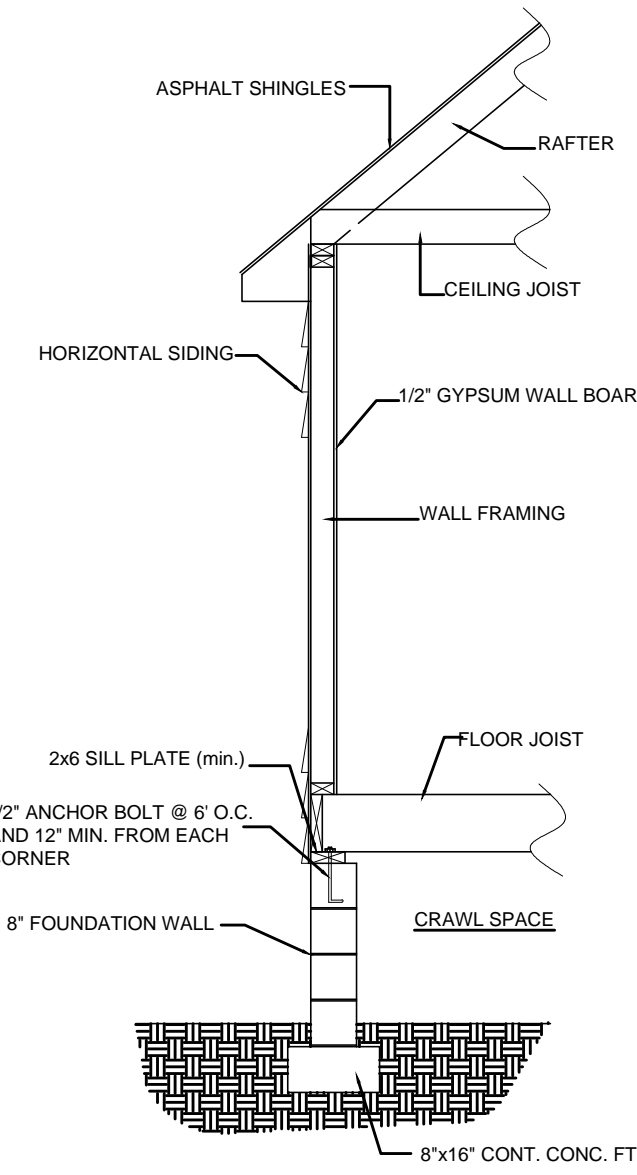
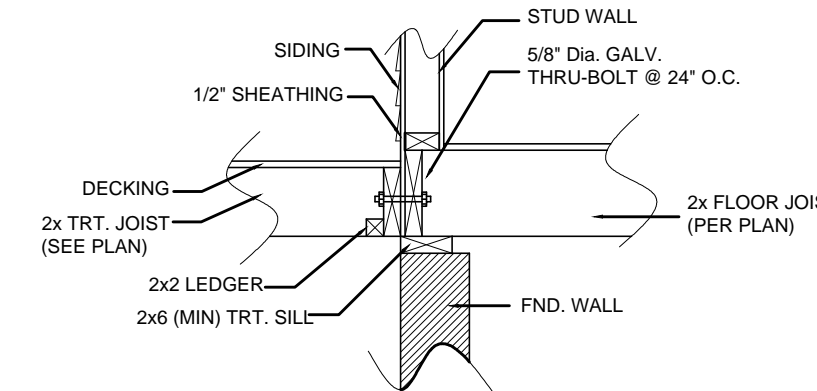
POST SIZE *	MAX POST HEIGHT **
4 X 4	8'-0"
6 X 6	20'-0"
***	OVER 20'-0"

* THIS TABLE IS BASED ON NO. 2 TREATED SOUTHERN PINE POSTS.
 ** FROM TOP OF FOOTING TO BOTTOM OF GIRDER.
 *** DECKS WITH POST HEIGHTS OVER 20'-0" SHALL BE DESIGNED AND SEALED BY A PROFESSIONAL ENGINEER OR REGISTERED ARCHITECT.

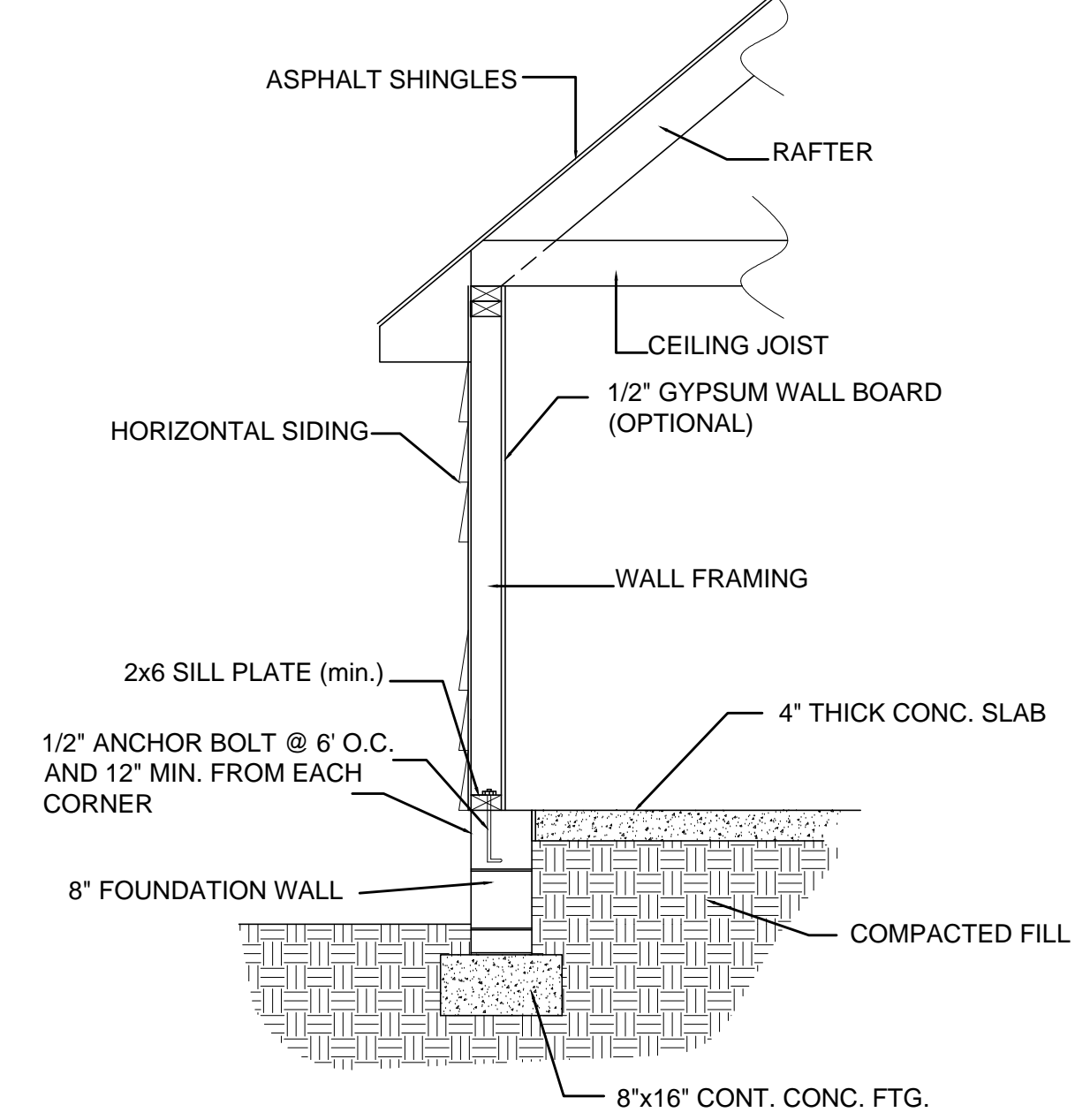
2. DECKS SHALL BE BRACED TO PROVIDE LATERAL STABILITY BY ONE OF THE METHODS:

- WHEN THE DECK FLOOR HEIGHT IS LESS THAN 4' AND THE DECK IS ATTACHED TO THE STRUCTURE IN ACCORDANCE WITH SECTION A10104, LATERAL BRACING IS NOT REQUIRED.
- 4x4 WOOD KNEE BRACES MAY BE PROVIDED ON EACH COLUMN IN BOTH DIRECTIONS. THE KNEE BRACES SHALL ATTACH TO EACH POST AT A POINT NOT LESS THAN 1/4 OF THE POST LENGTH FROM THE TOP OF THE POST, AND THE BRACES SHALL BE ANGLED BETWEEN 45° AND 60° FROM THE HORIZONTAL. KNEE BRACES SHALL BE NAILED TO THE POST AND THE GIRDER OR BOLTED WITH ONE 5/8" HOT DIPPED GALVANIZED BOLT AT EACH END OF THE BRACE.
- FOR FREESTANDING DECKS WITHOUT KNEE BRACES OR DIAGONAL BRACING, LATERAL STABILITY MAY BE PROVIDED BY EMBEDDING THE POSTS IN ACCORDANCE WITH THE FOLLOWING:

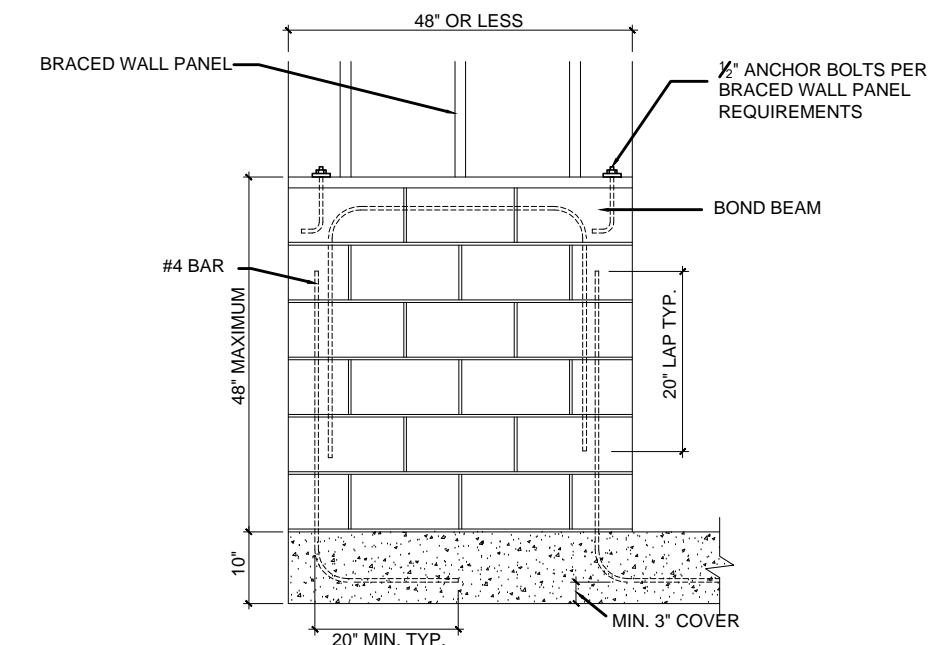
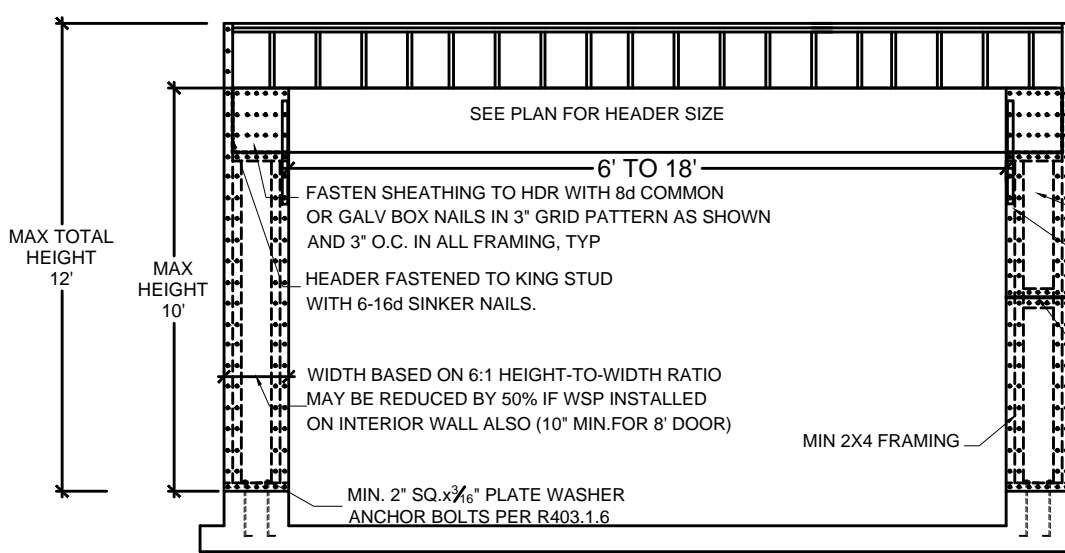
POST SIZE	MAX TRIBUTARY AREA	MAX POST HEIGHT	EMBEDMENT DEPTH	CONCRETE DIAMETER
4 X 4	48 SF	4'-0"	2'-6"	1'-0"
6 X 6	120 SF	6'-0"	3'-6"	1'-8"
- 2x6 DIAGONAL VERTICAL CROSS-BRACING MAY BE PROVIDED IN TWO PERPENDICULAR DIRECTIONS FOR FREESTANDING DECKS OR PARALLEL TO THE STRUCTURE AT THE EXTERIOR COLUMN LINE FOR ATTACHED DECKS.



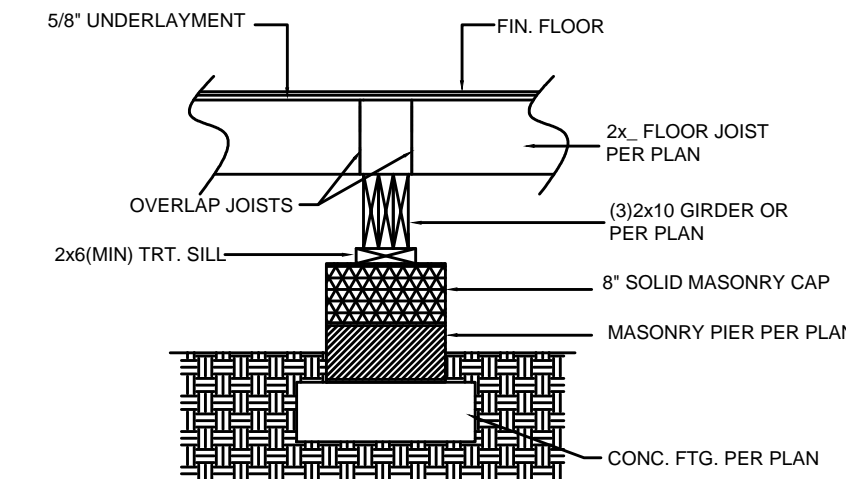
TYPICAL WALL DETAIL



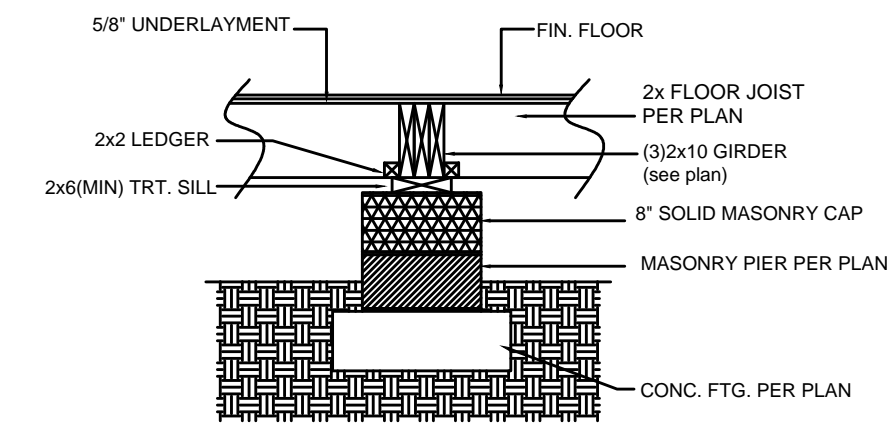
TYPICAL STEM WALL w/ SLAB DETAIL



BRACED WALL LINE DETAIL



DROPPED GIRDER DETAIL



FLUSH GIRDER DETAIL

Engineers seal does not include construction means, methods, techniques, sequences, procedures or safety precautions.
 Any deviations or discrepancies on plans are to be brought to the immediate attention of Mark E. Jones, PE.
 Failure to do so will void Mark E. Jones, PE liability.
 Please review these documents carefully. Mark E. Jones, PE will interpret that all dimensions, recommendations, etc. presented in these documents were deemed acceptable once construction begins.

Mark E. Jones, PE
 6425 Glen Dean Court
 Raleigh, NC 27603
 (919) 395-5618

Holly Plan
 (Garage Left)

Southern Touch Homes
 LLC.
 P.O. Box 2135
 Angier, NC 27501

Project #: 21-024
 Date: 2/26/21
 Drawn/Design By: MEJ
 DWG. Checked By: MEJ
 Scale: NTS

REVISIONS		
No.	Date	Remarks
1		
2		
3		
4		

DETAILS
 Sheet Number
S6
 of 6