

GENERAL NOTES

DESIGN NOTES

1. Floor: 40 lbs. Live load, 15 lbs. Dead load
2. Roof: 30 lbs. Live load, 20 lbs. Dead load
3. Soil bearing capacity-2000 PSF
4. Live loads, dead loads, wind loads, snow loads, lateral loads, seismic zoning and any specialty loading conditions will need to be confirmed before construction and adjustments to plans made accordingly. See your local building officials for verification of your specific load data, zoning restrictions and site conditions.

CONCRETE AND FOUNDATIONS

1. All slabs on grade shall be 4 inch 3000 PSI (28-day compressive strength concrete), unless noted otherwise.
2. All slabs on grade shall bear on four inch compacted granular fill with 6 by 6 10-10 welded wire mesh.
3. Interior slabs shall have 6 mil, polyethylene vapor barrier underneath.
4. Provide proper expansion joints and control joints as per local requirements.
5. Provide additional bearing points as required by floor "I" joist manufacturer, and loading transfers.
6. Foundation details may vary with local codes and conditions, verify with contractor or engineer.
7. Provide foundation access and vents as required by local codes and conditions.
8. Foundation wall and footing sizes reinforcing must conform with your local building requirements.
9. Foundation walls are not to be backfilled until house is completely framed and roof is in place.
10. Verify depth of footings with your local codes.
11. Provide termite protection as required by HUD minimum property standards.

BASEMENT

1. Basement stairs are calculated as 10 inch treads with 1 inch nosing (11 inch total) and 7.75 inch risers.
2. Water heater and air conditioner may be located in basement when using basement option.
3. Provide sump pumps as required.
4. Some soil conditions may require a 12 inch concrete retaining wall, verify with contractor or engineer.
5. Provide exterior windows and door as grade allows.
6. Provide venting as local codes and conditions dictate.

FRAMING

1. Contractor to confirm the size, spacing and species of all framing and structural members to meet your local code requirements.
2. Any structural or framing members not indicated on the plan are to be sized by the contractor.
3. Double floor joists under all partition walls, unless otherwise noted.
4. All angled walls are 45 degree angles unless noted otherwise.
5. Provide collar ties, cross-bridging and bracing as required.
6. Provide additional bearing points as required by loading transfers.
7. Framing lay-out and size may vary with local codes and conditions.
8. Roof framing plan is for general layout only, do no use for rafter count.

MISC. NOTES

1. Prefabricated fireplaces and flues are to be U.L. approved and installed per manu. specifications.
2. All materials, supplies and equipment to be installed per manu. specifications and local codes.
3. Provide type "x" firecode sheetrock on garage walls and ceilings.
4. Confirm window openings for your local egress requirements and minimum light and venting.
5. The mechanical and electrical layouts are suggested only. Consult your mechanical and electrical contractors for exact specifications, locations and sizes.
6. Minor alterations to this plan can be made by the builder. Please contact our drafting department for information price quotes if major changes are required.

This plan was designed and drafted by W.L. Martin Home Designs to meet average conditions and codes in the state of Oklahoma at the time it was designed. Because codes and regulations can change and may vary from jurisdiction to jurisdiction, W.L. Martin Home Designs cannot warrant compliance with any special code or regulation. Consult your local building official to determine the suitability of these plans for your specific site and applicaion.

This plan can be adapted to your local building codes and requirements, but also, it is the responsibility of the purchaser and/or builder of this plan to see that the structure is built in strict compliance with all governing municipal codes [city, county, state, and federal].

The purchaser and/or builder of this plan releases W.L. Martin Home Designs, its owner and employees from any claims or lawsuits that may arise during the construction of this structure or any time thereafter.



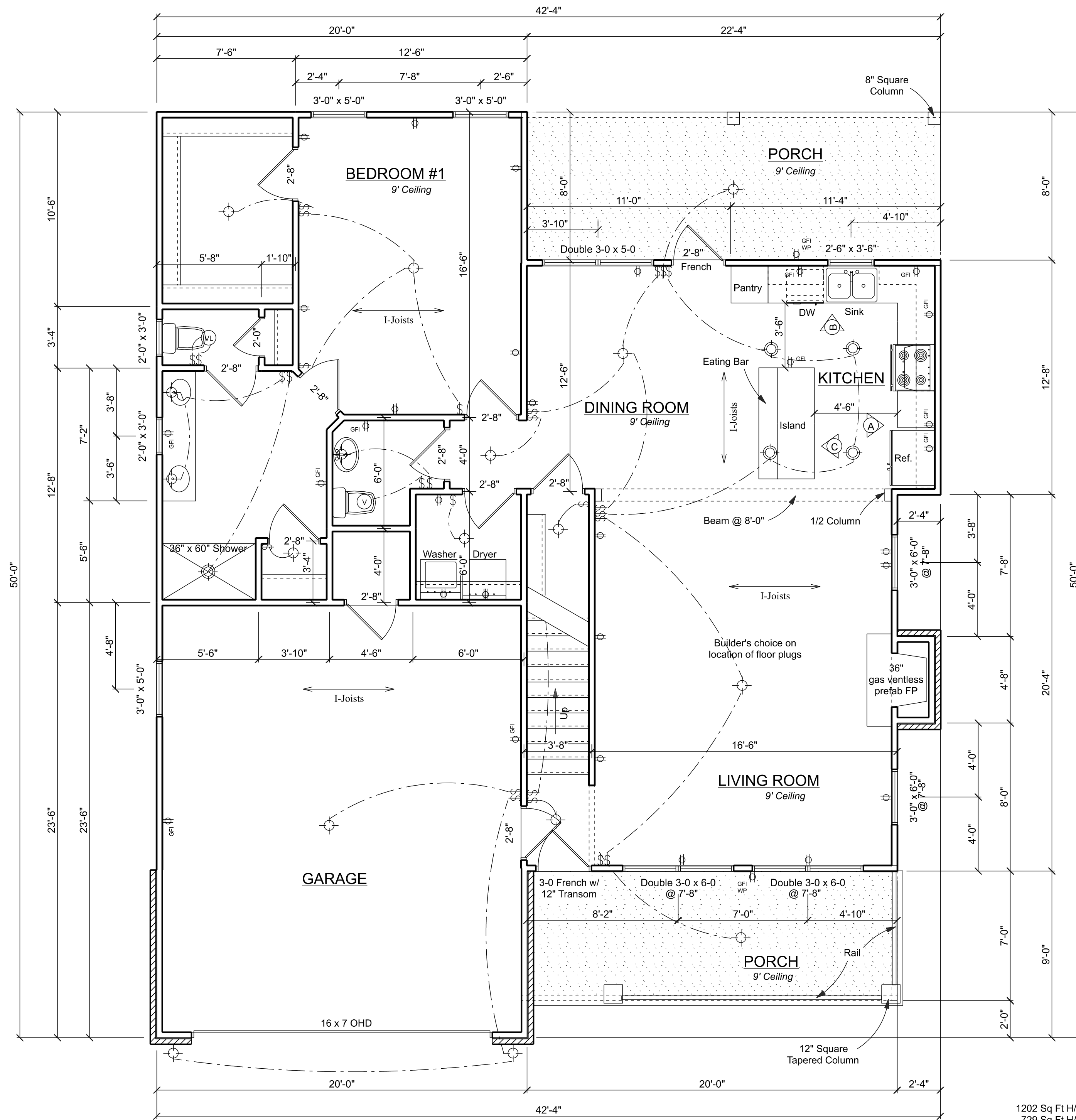
FRONT ELEVATION

REVISIONS	BY

#24333 - reversed
Bluespring

W.L. Martin Home Designs
for Contact Information
www.wlartinhomes.com

Date
Scale 1/4" = 1'-0"
Drawn
Job
Sheet 1
Of 8 Sheets



- Notes:
1. A/C May be Relocated as Required by Mechanical Contractor.
 2. Builders Choice on 6" Plumb Wall Locations.
 3. Co-ordinate Floor Truss Chase with Mechanical Contractor.
 4. Provide Safety Glass where Required by Local Code.

1st Floor Plan

1202 Sq Ft H/C First Floor
 729 Sq Ft H/C Second Floor
 1931 Sq Ft Total H/C

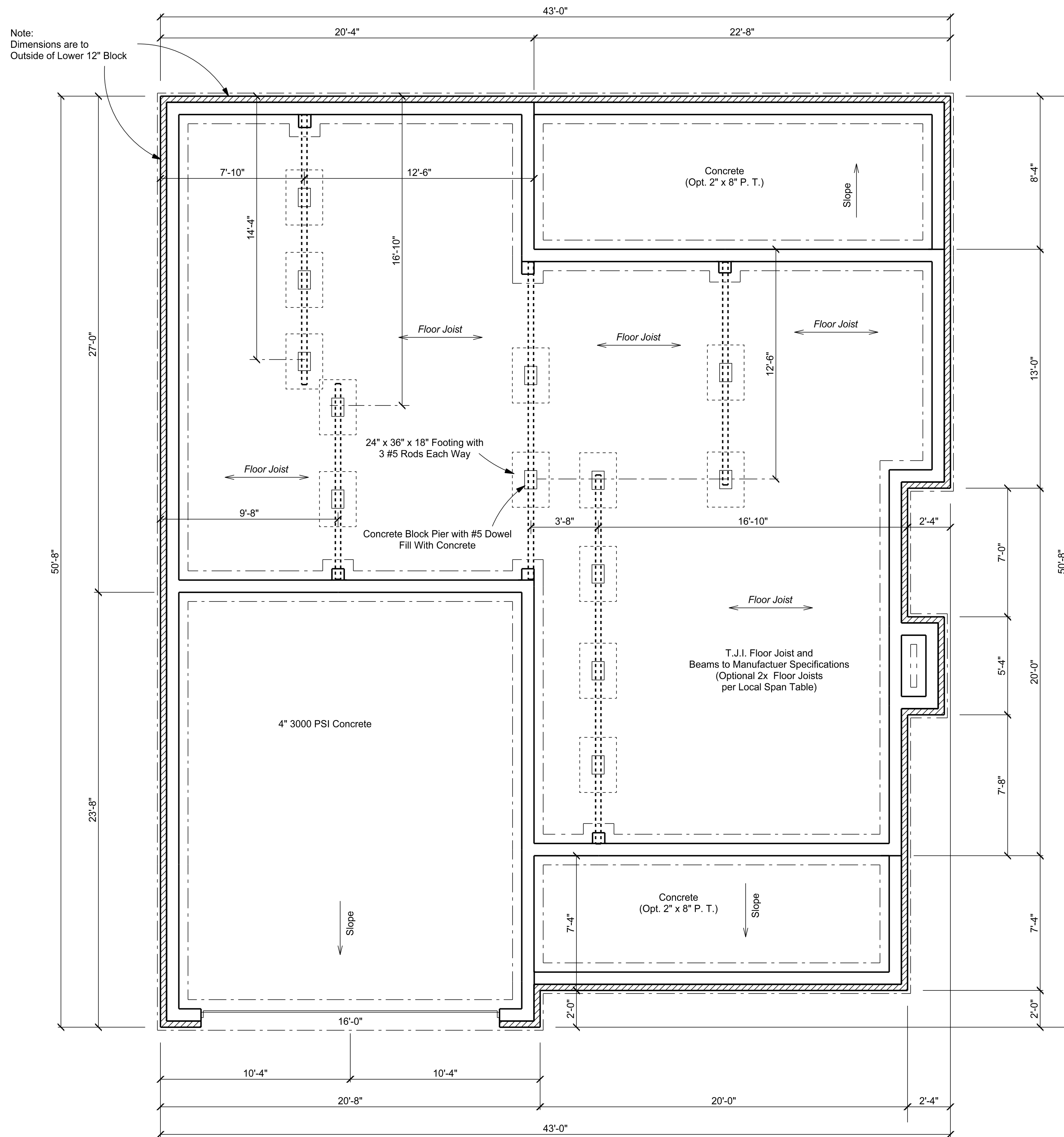
488 Sq Ft Garage
 140 Sq Ft Front Porch
 179 Sq Ft Rear Porch

REVISIONS	BY

House Plan #24333
 Modified For Robbins

W.L. Martin Home Designs
 for Contact Information
 www.wlmarthomes.com

Date	
Scale	1/4" = 1'-0"
Drawn	
Job	
Sheet	3
Of	8 Sheets



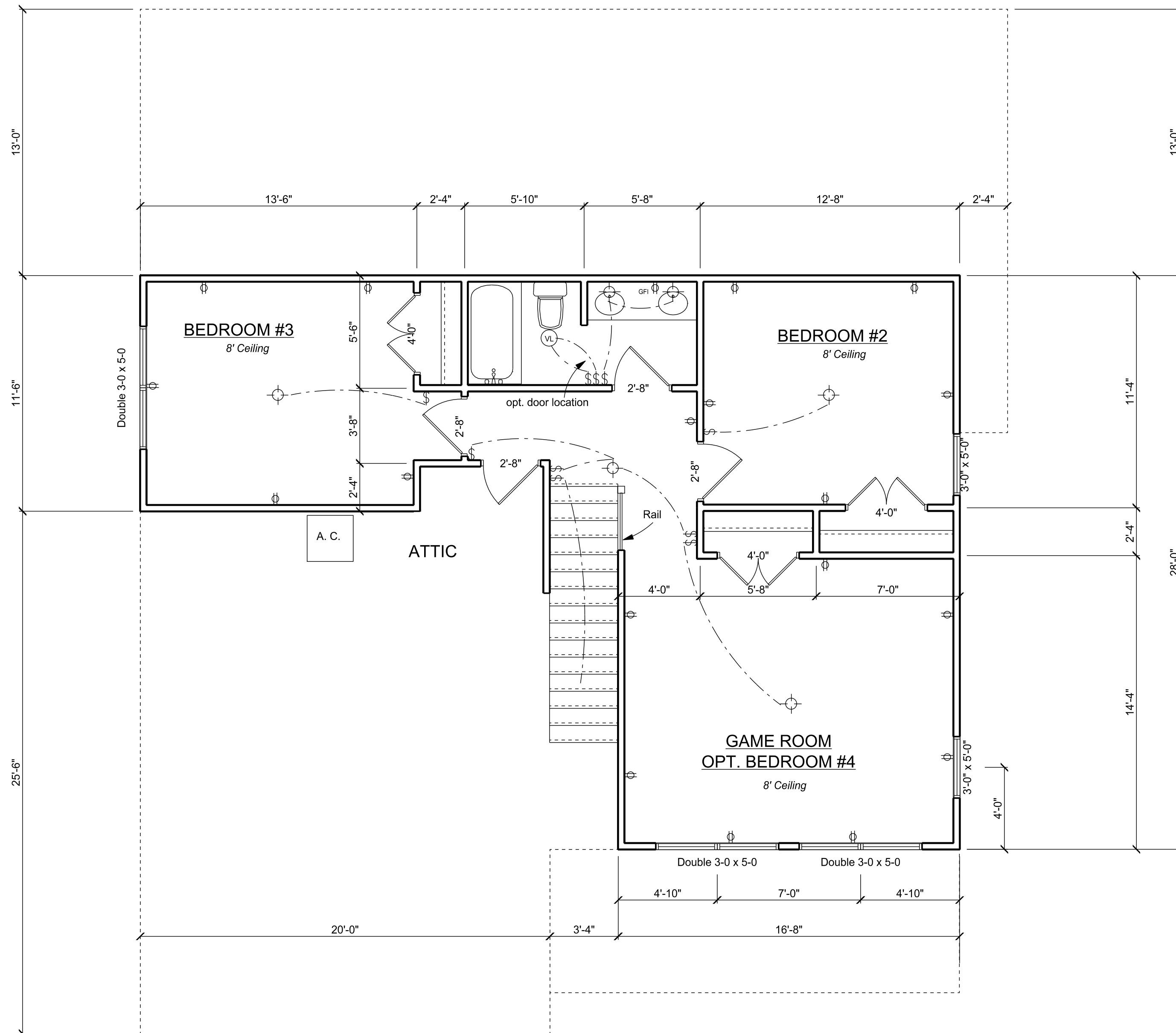
Crawl Space Foundation Plan

REVISIONS	BY

#24333
Bluespring

W.L. Martin Home Designs
for Contact Information
www.wlartinhomes.com

Date	
Scale	1/4" = 1'-0"
Drawn	
Job	
Sheet	8C
Of	8 Sheets



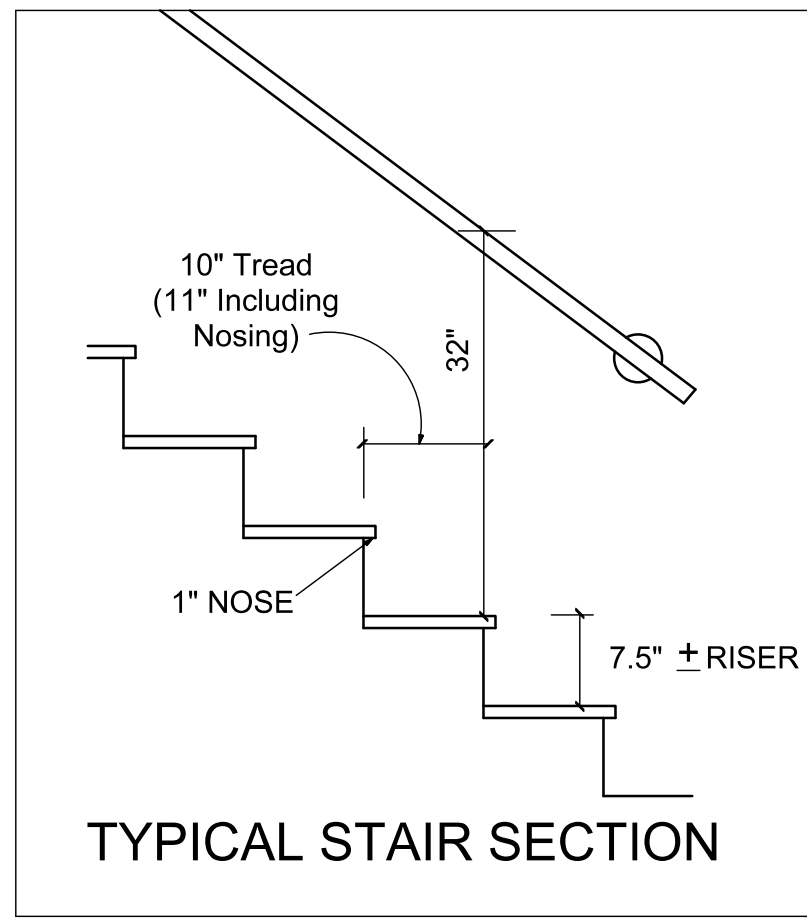
2nd Floor Plan

REVISIONS	BY

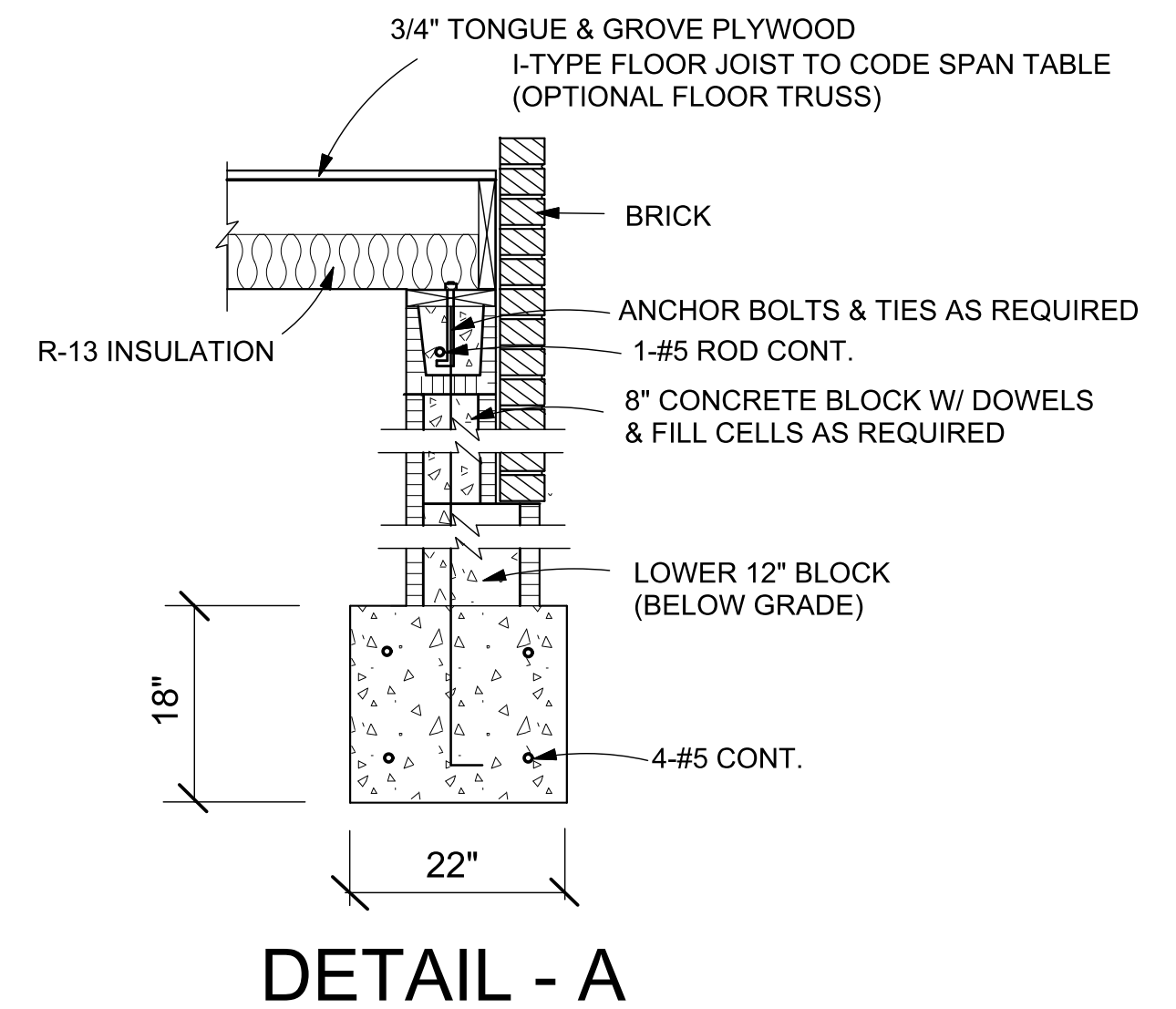
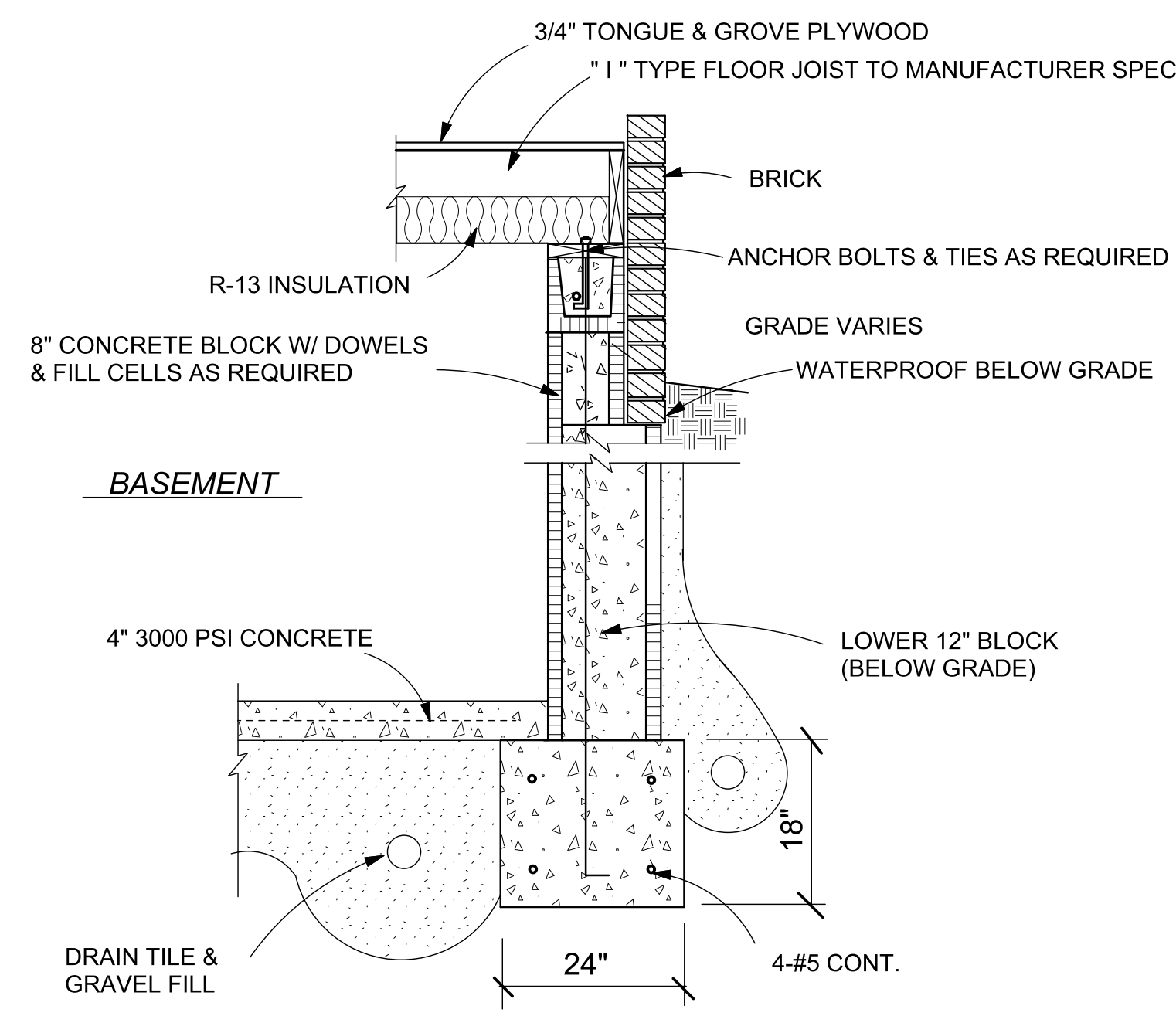
#24333 - reversed
Bluespring

W.L. Martin Home Designs
for Contact Information
www.wlartinhomes.com

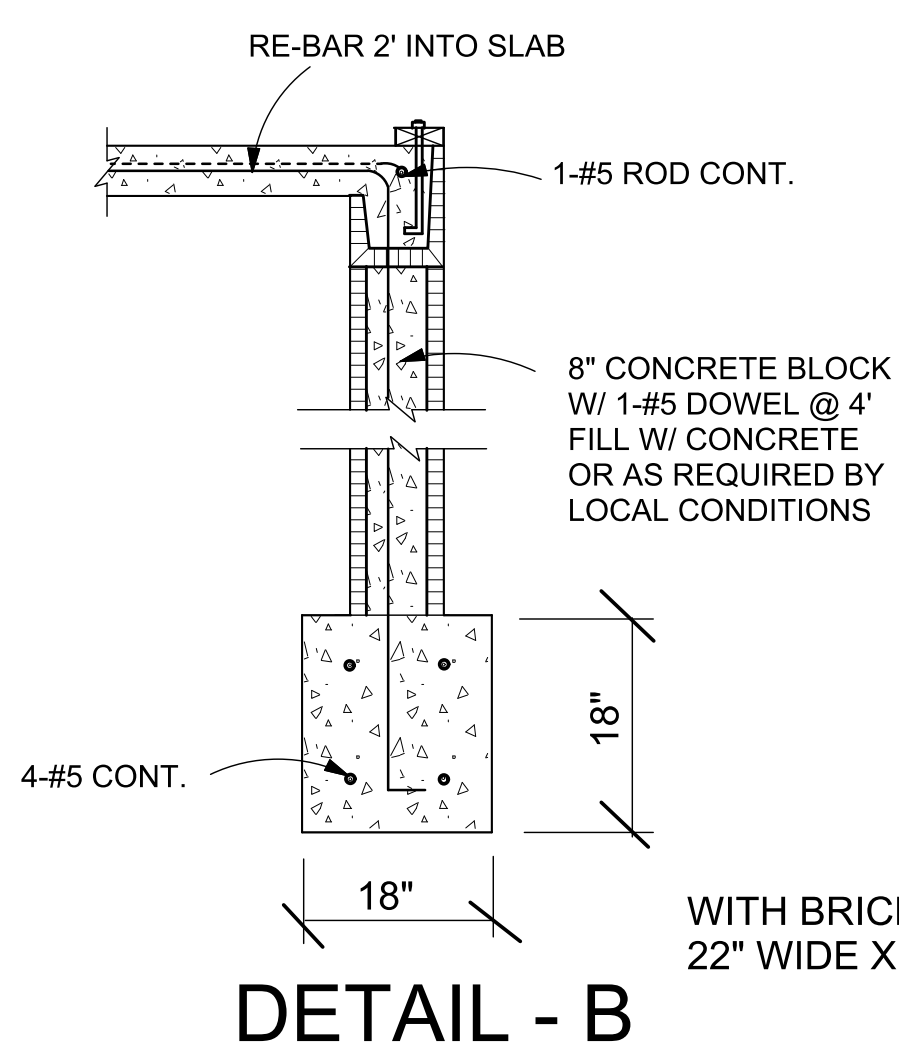
Date
Scale 1/4" = 1'-0"
Drawn
Job
Sheet 4
Of 8 Sheets



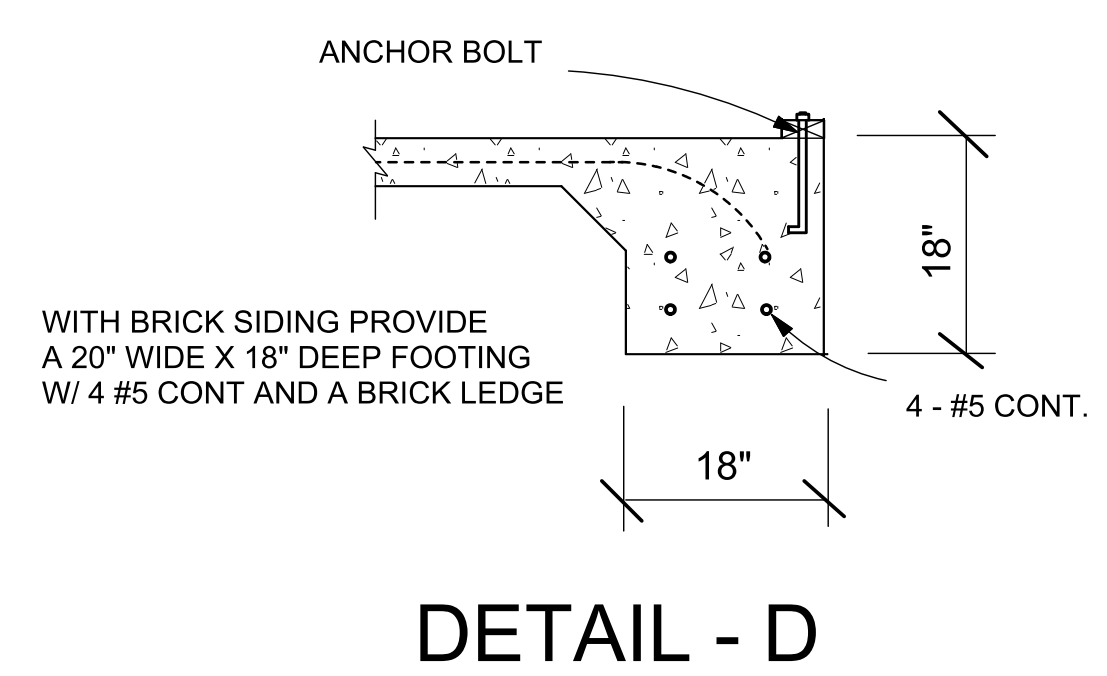
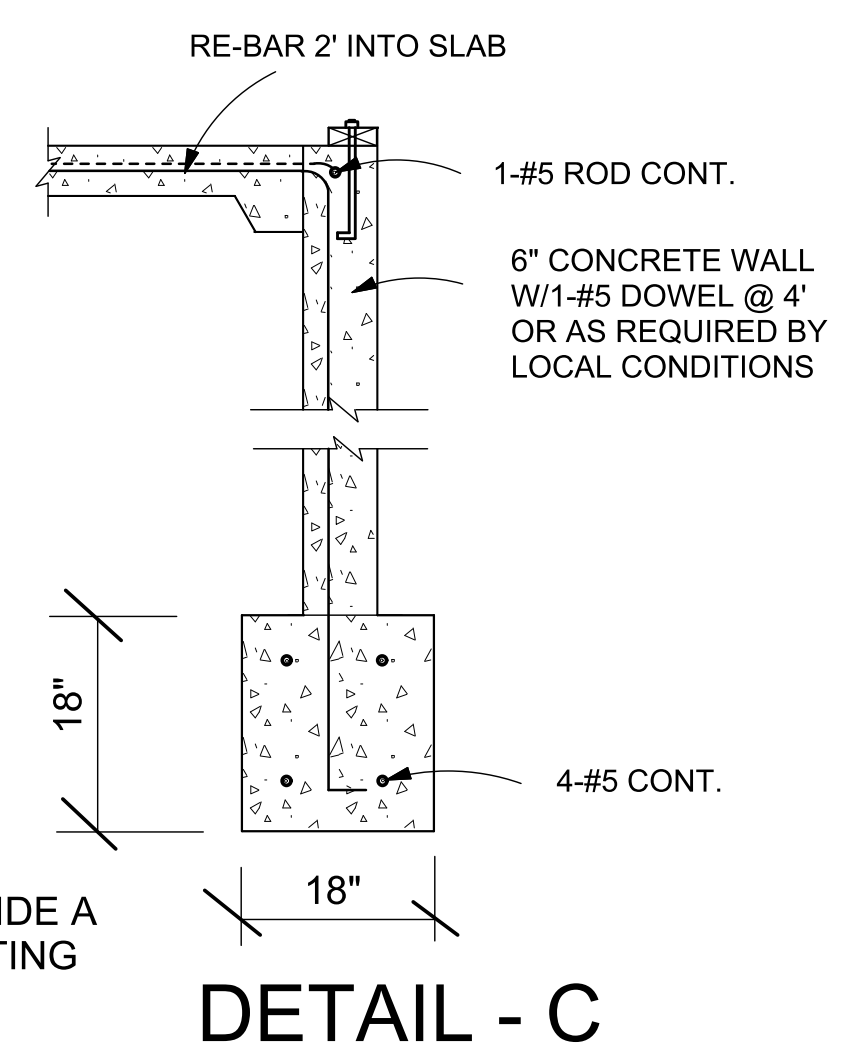
NOTE: SEE ADDITIONAL NOTES ON FRONT ELEVATION SHEET.



OPTIONAL BASEMENT SECTION



WITH BRICK SIDING PROVIDE A 22" WIDE X 18" DEEP FOOTING



2 STORY FOUNDATION DETAILS (OPTIONS)

- NOTES:
- * WALLS ABOVE 4'-0" FROM FINISH GRADE MAY REQUIRE ADDITIONAL STRUCTURAL SIZING, SEE ENGINEER (FOOTING SIZE & RETAINING WALL REQ.)
 - * FOOTING DETAILS MAY VARY IN REQUIREMENTS, IN YOUR AREA, VERIFY WITH CONTRACTOR OR ENGINEER.
 - * CONCRETE FLOOR TO BE 8" MINIMUM ABOVE FINISH GRADE.
 - * PROVIDE COMPACTED SAND FILL AS REQUIRED UNDER FOOTINGS.

W. L. MARTIN HOME DESIGNS DOES NOT WARRANT OR GUARANTEE THE ACCURACY OF THIS SET OF PLANS. BEFORE CONSTRUCTION THE CONTRACTOR, ENGINEER, OR ARCHITECT MUST CHECK DIMENSIONS AND LOADING, AND VERIFY THAT THESE PLANS COMPLY WITH ALL BUILDING CODES IN EFFECT AT CONSTRUCTION LOCATION.

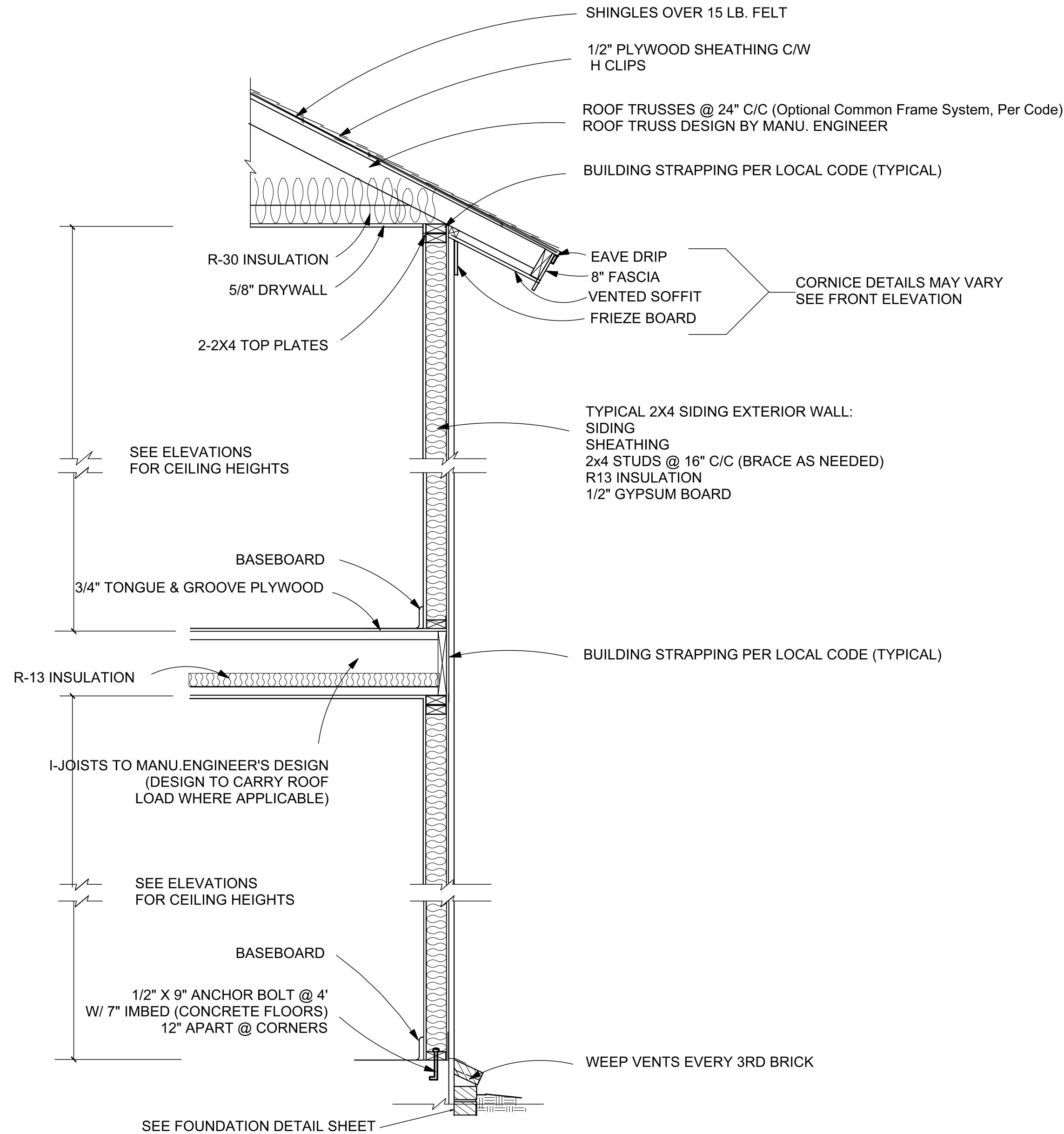
REVISIONS	BY

#24333
Bluespring

W.L. Martin Home Designs
for Contact Information
www.wlmarthomes.com

Date	
Scale	
Drawn	
Job	
Sheet	6
Of	8 Sheets

W. L. MARTIN HOME DESIGNS DOES NOT WARRANT OR GUARANTEE THE ACCURACY OF THIS SET OF PLANS. BEFORE CONSTRUCTION THE CONTRACTOR, ENGINEER, OR ARCHITECT MUST CHECK DIMENSIONS AND LOADING, AND VERIFY THAT THESE PLANS COMPLY WITH ALL BUILDING CODES IN EFFECT AT CONSTRUCTION LOCATION.



TYPICAL BUILDING SECTION

NOTE: ALL STRUCTURAL MEMBERS MUST COMPLY W/ LOCAL BUILDING CODES.

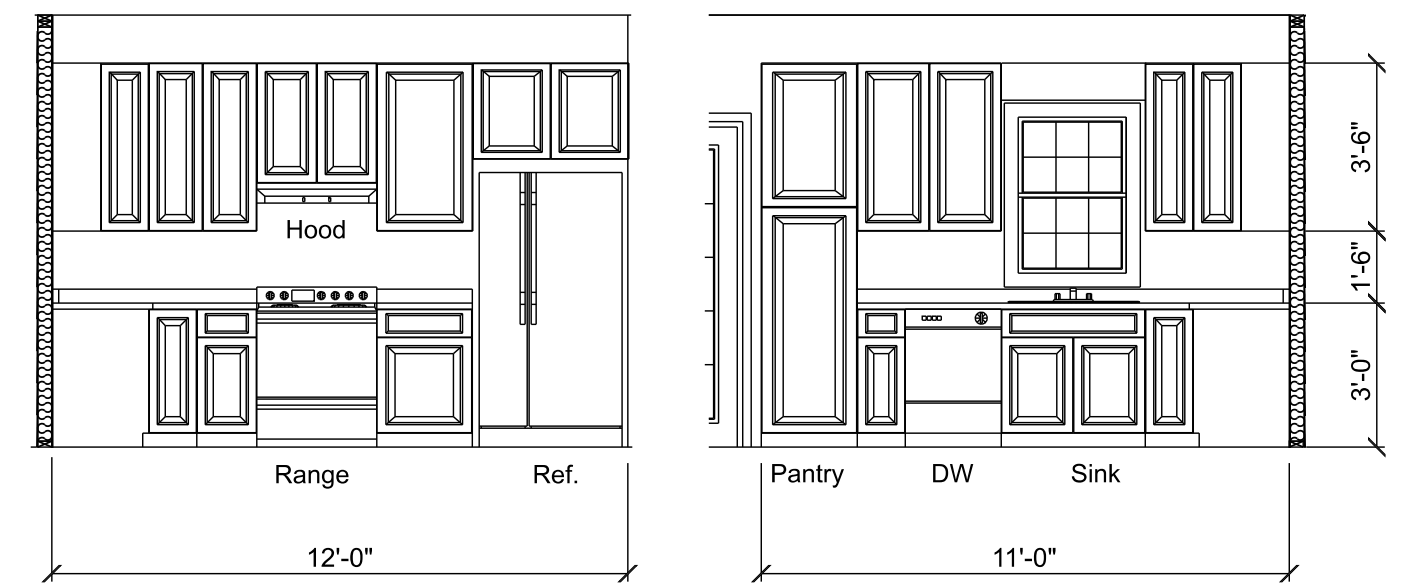
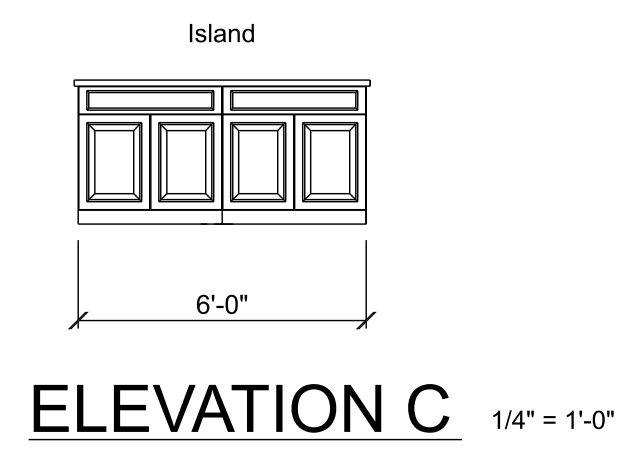
REVISIONS	BY

#24333
Bluespring

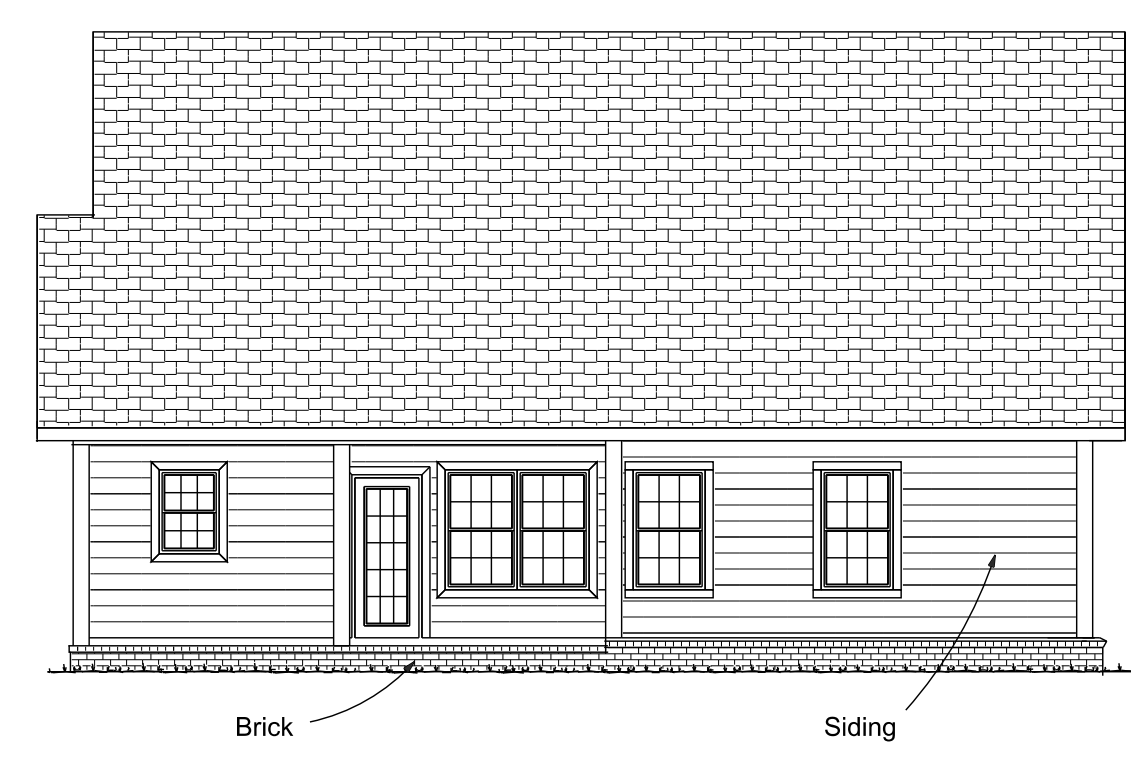
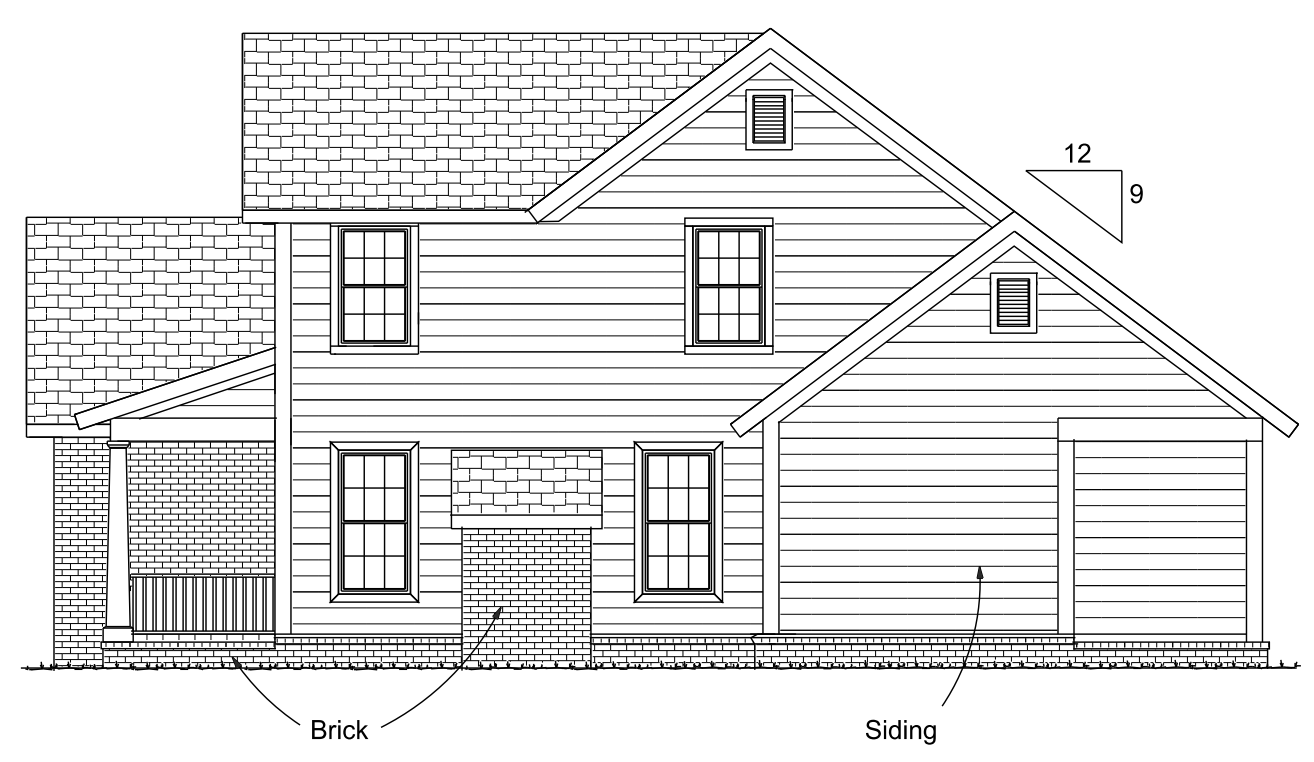
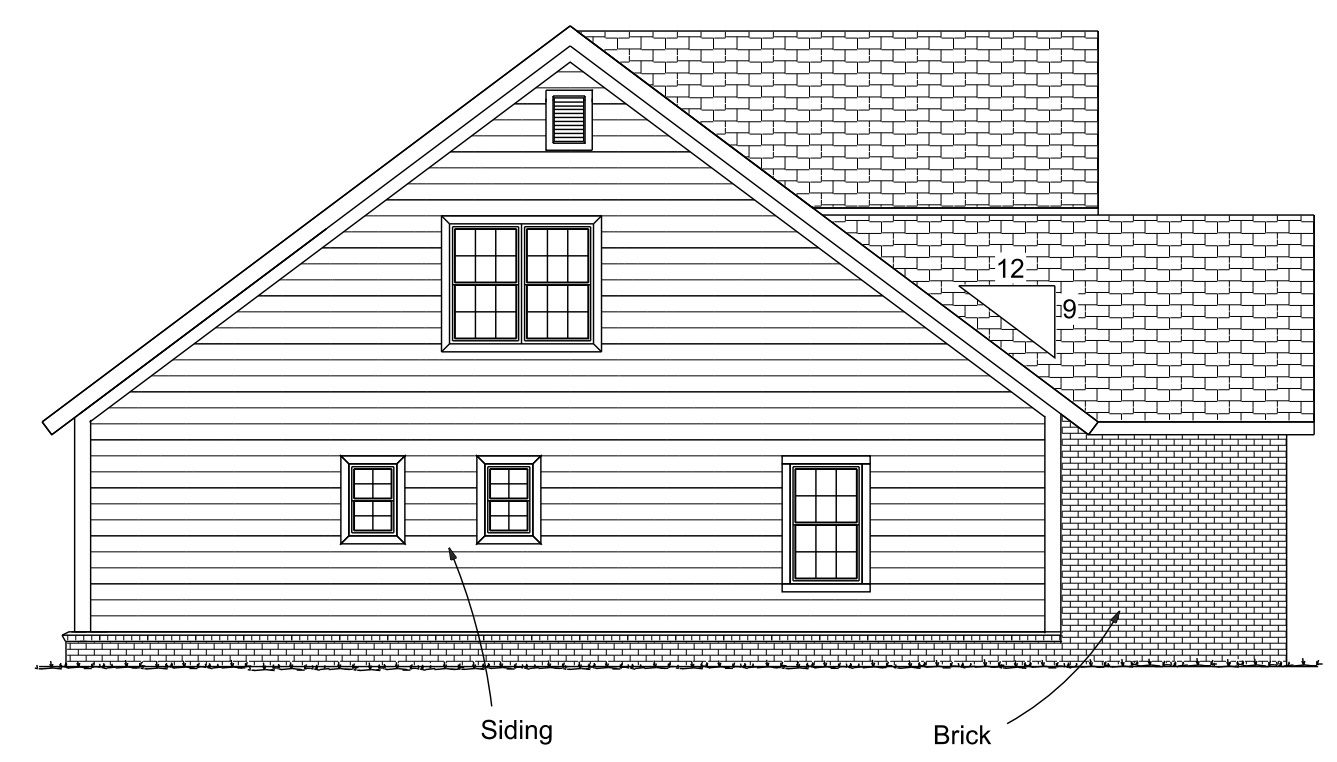
W.L. Martin Home Designs
for Contact Information
www.wlmarthomes.com

Date	
Scale	Noted
Drawn	
Job	
Sheet	5
Of	8 Sheets

REVISIONS	BY



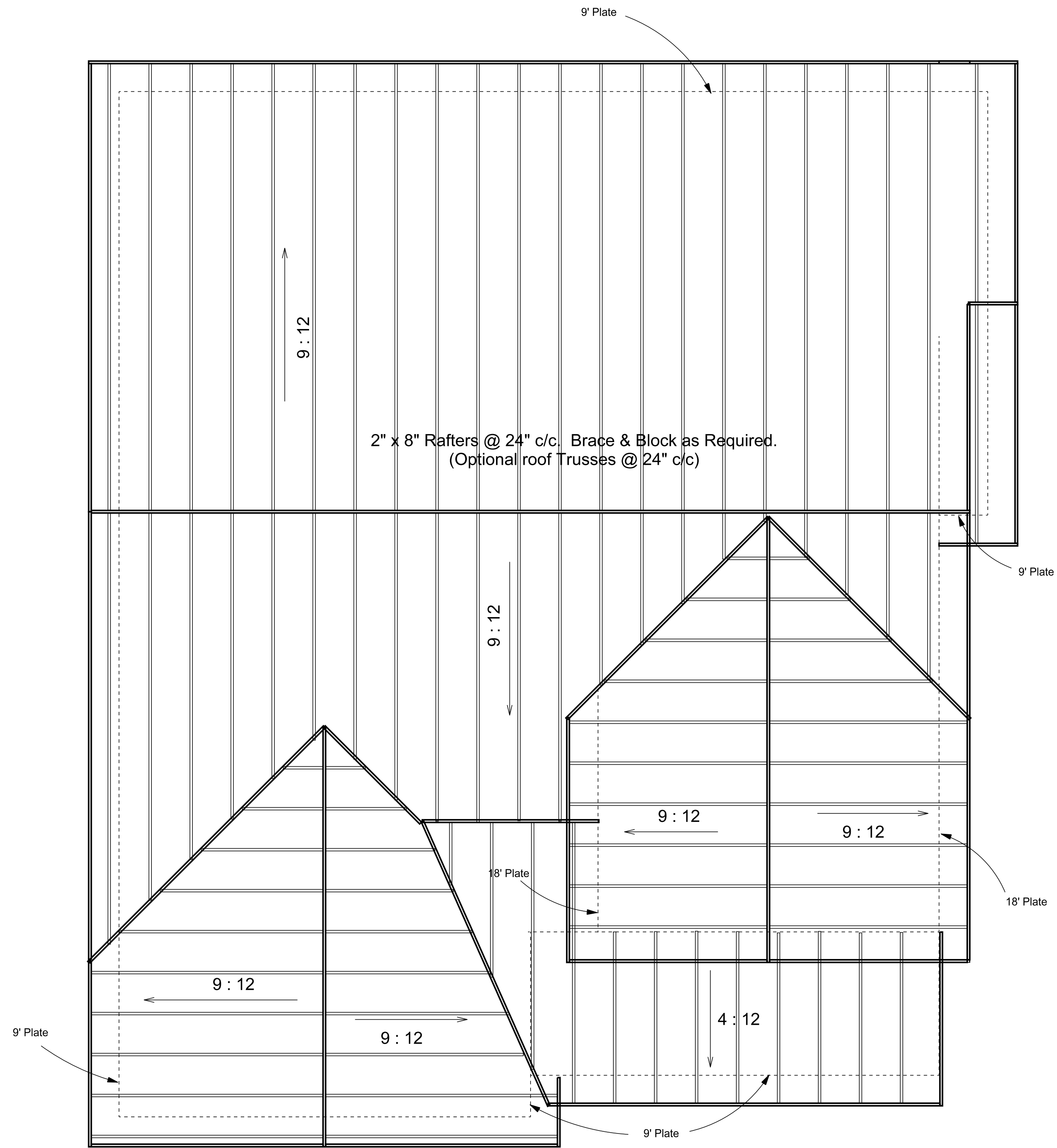
Selections to be made for Cabinet Style, Color, and Hardware



House Plan #24333
Modified For Robbins

W.L. Martin Home Designs
for Contact Information
www.wlmarthomes.com

Date	
Scale	Noted
Drawn	
Job	
Sheet	2
Of	8 Sheets



Roof Plan

REVISIONS	BY

#24333 - reversed
Bluespring

W.L. Martin Home Designs
for Contact Information
www.wlmarthomes.com

Date
Scale 1/4" = 1'-0"
Drawn
Job
Sheet 7
Of 8 Sheets