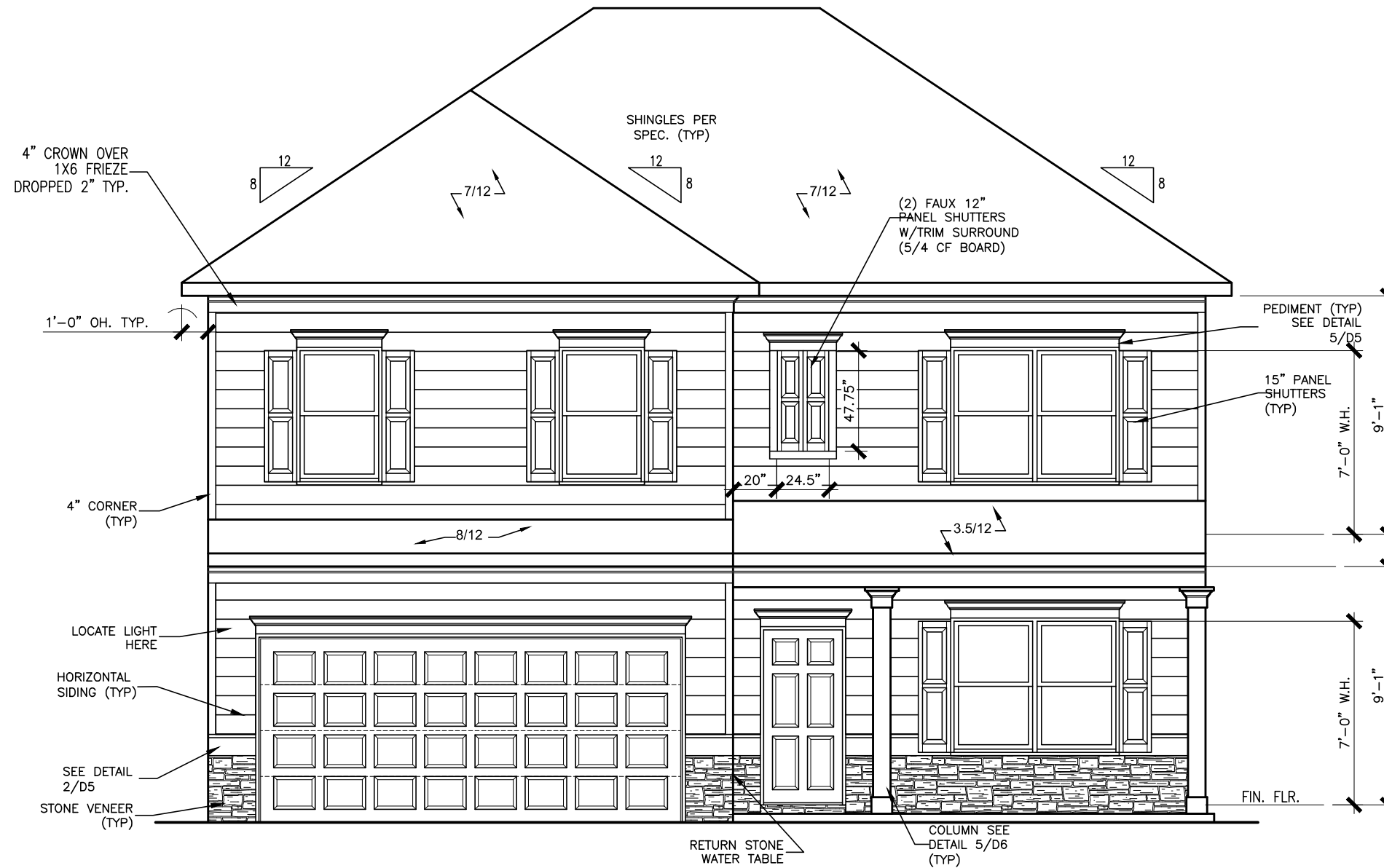


DUNCANS CROSSING LOT 34



FRONT ELEVATION "C"

SCALE : 3/16" = 1'-0"

ALL NON-MASONRY RETURNS TO
BE HORIZONTAL SIDING

SEE SHEET D3 OF SDH TYPICAL
DETAILS FOR SOFFIT DETAILS PER
SOFFIT MATERIAL

BY	REVISION	DATE
#	#	#
#	#	#
#	#	#
#	#	#
#	#	#



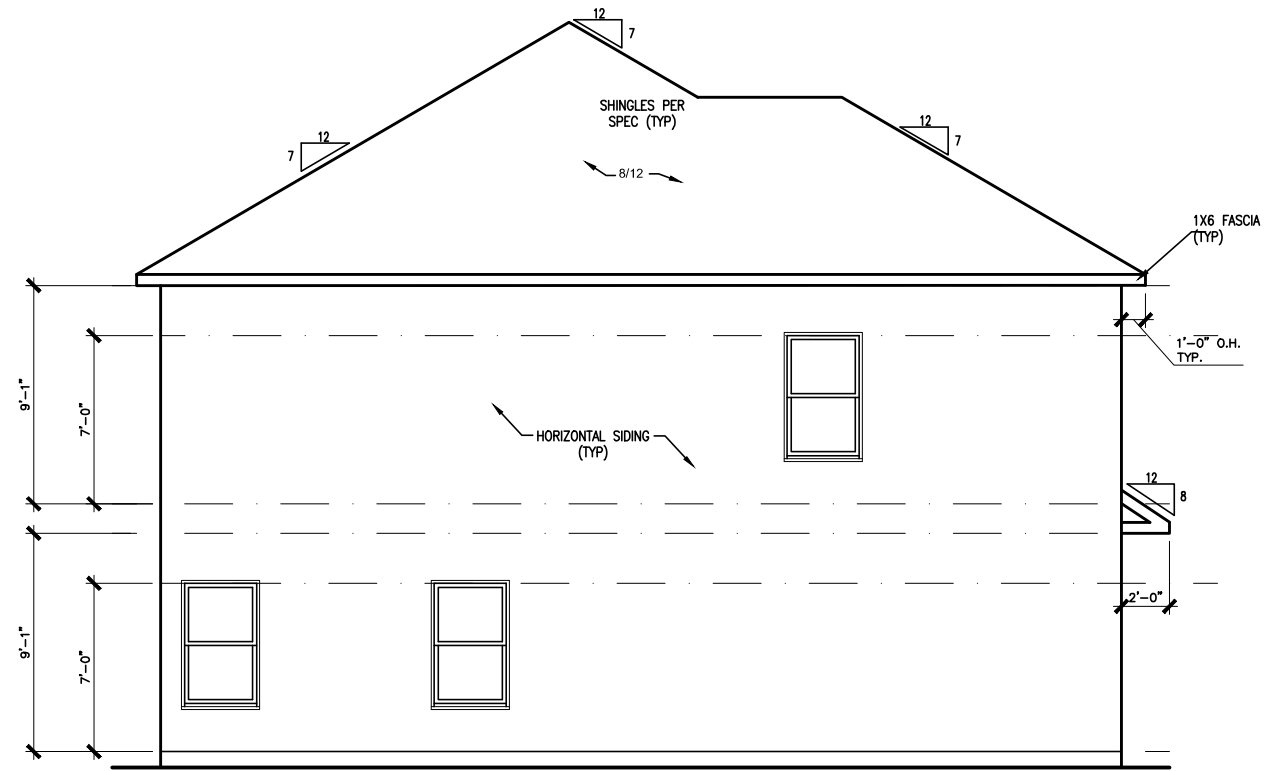
ELEVATIONS
FRONT ELEVATION
MCGINNIS

SMITH DOUGLAS HOMES
110 VILLAGE TRAIL
SUITE 115
WOODSTOCK, GA 30188
www.smithdouglas.com

SMITH DOUGLAS HOMES
expressly reserves its
property rights in these
plans and drawings.
These plans and related
drawings are not to be
reproduced without written
consent from SMITH
DOUGLAS HOMES.

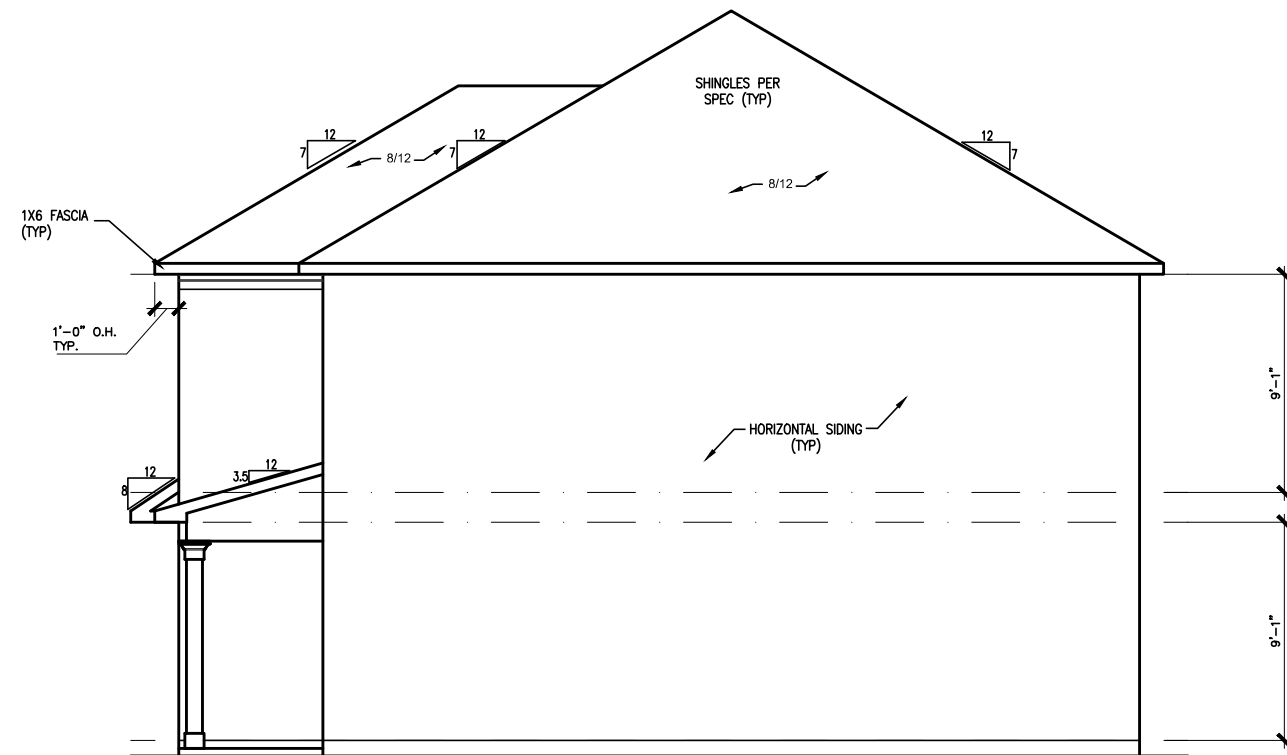
BY: SL	CH: AW
DATE: 8/3/2023	
FACADE OPT: C	
PLAN ID:	
FND: ALL	ELEV: C
PAGE NO: A1.1	

DUNCANS CROSSING LOT 34



LEFT ELEVATION "C"

SCALE: 1/8" = 1'-0"



RIGHT ELEVATION "C"

SCALE: 1/8" = 1'-0"



REAR ELEVATION

SCALE: 1/8" = 1'-0"

BY	REVISION	DATE
#	#	#
#	#	#
#	#	#
#	#	#
#	#	#



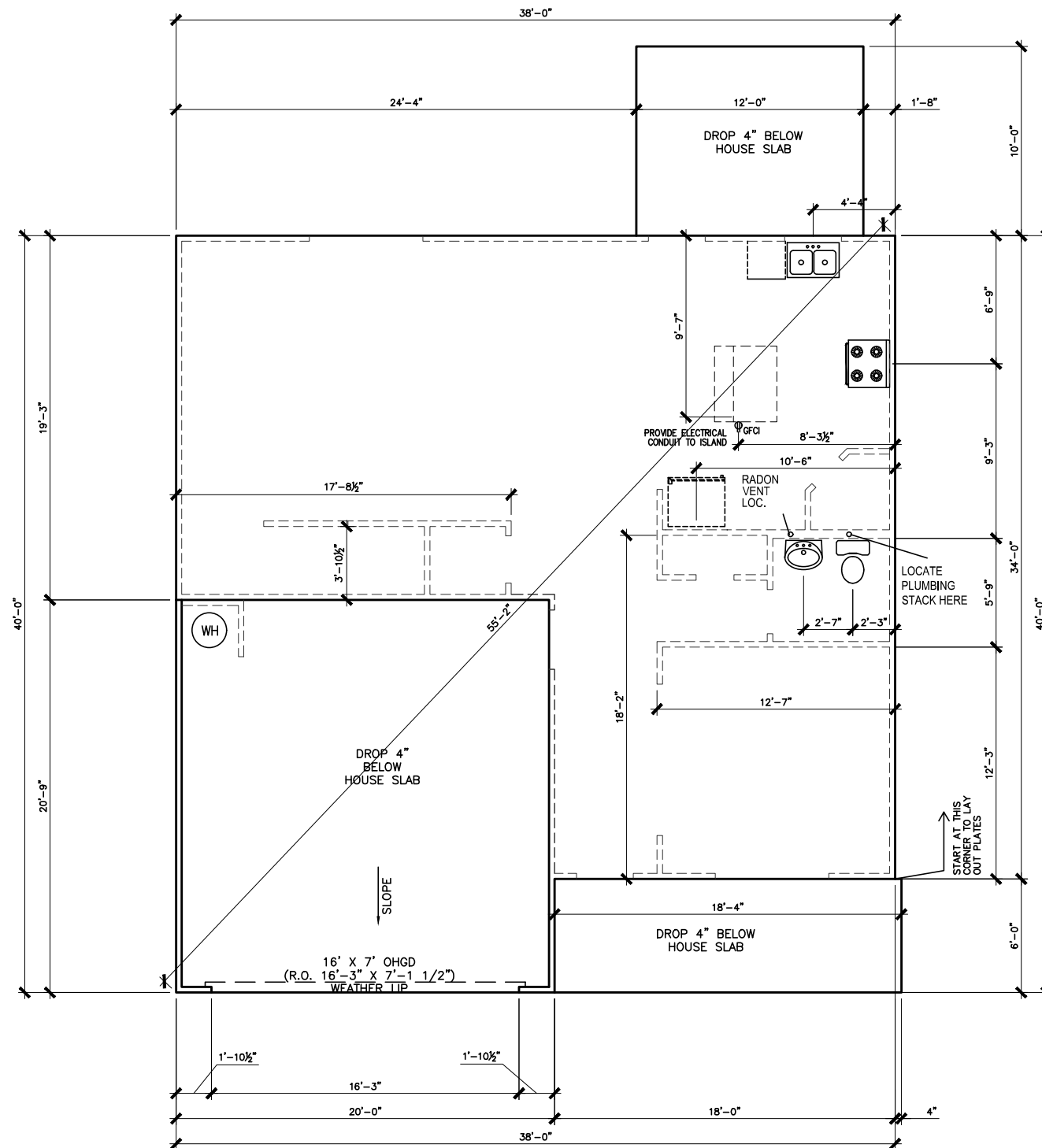
ELEVATIONS
SIDES AND REAR
MCGINNIS

SMITH DOUGLAS HOMES
110 VILLAGE TRAIL
SUITE 115
WOODSTOCK, GA 30188
www.smithdouglas.com

SMITH DOUGLAS HOMES
expressly reserves its
property rights in these
plans and drawings.
These plans and related
drawings are not to be
reproduced without written
consent from SMITH
DOUGLAS HOMES.

BY: SL	CH: AW
DATE: 8/3/2023	
FACADE OPT: C	
PLAN ID:	
FND: ALL	ELEV: C
PAGE NO: A2.1	

DUNCANS CROSSING LOT 34



*RADON VENT PROVIDED
PER LOCAL CODE

REFER TO DETAIL 3/D1 FOR
BRICK LEDGE DETAIL WHEN
BRICK VENEER IS CHOSEN

SLAB PLAN

SCALE: 1/8" = 1'-0"

DATE	REVISION	BY



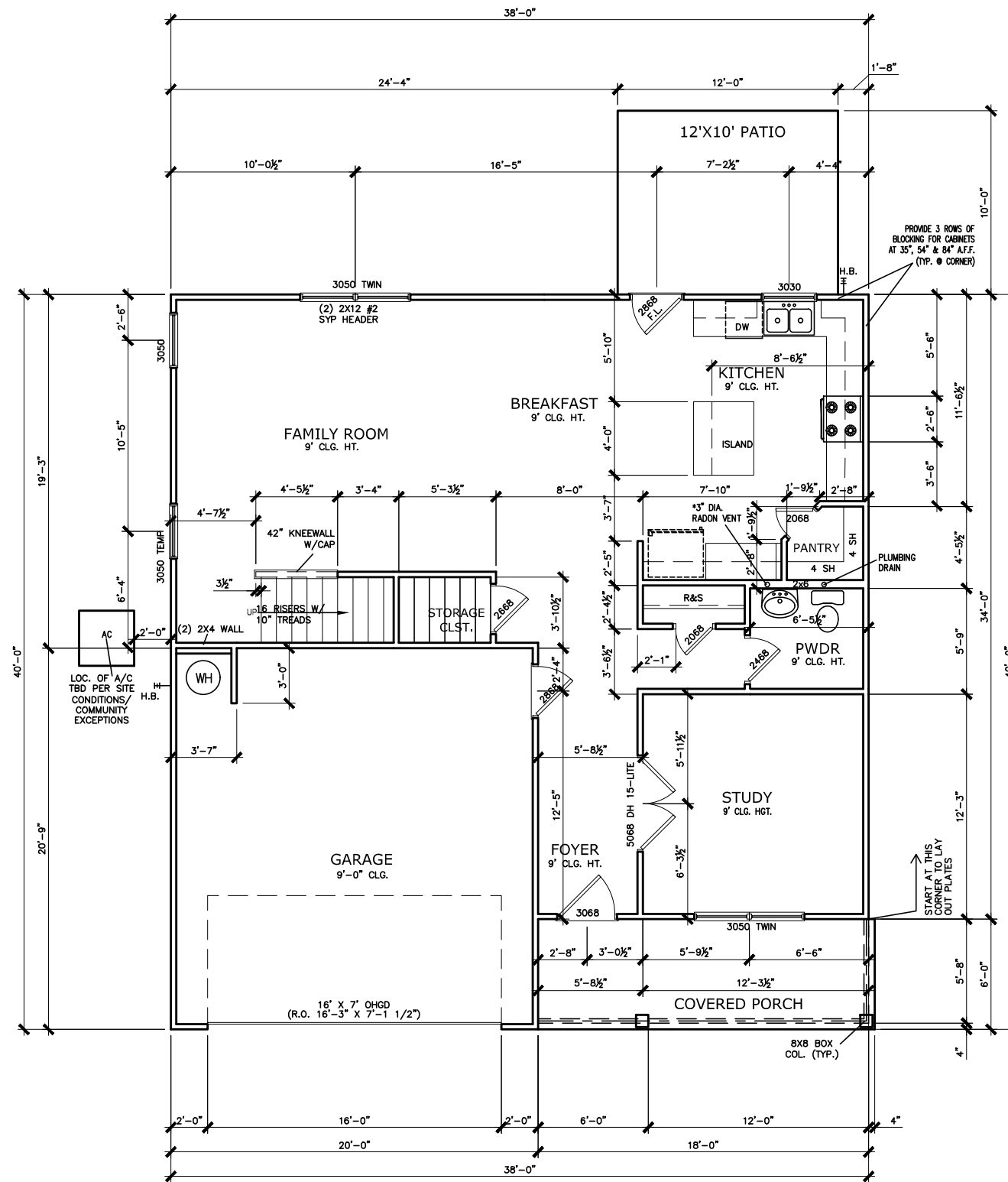
FOUNDATION PLAN
SLAB PLAN
MCGINNIS

SMITH DOUGLAS HOMES
110 VILLAGE TRAIL
SUITE 115
WOODSTOCK, GA 30188
www.smithdouglashomes.com

SMITH DOUGLAS HOMES
expressly reserves its
property rights in these
plans and drawings.
These plans and related
drawings are not to be
reproduced without written
consent from SMITH
DOUGLAS HOMES.

BY: SL	CH: AW
DATE: 8/3/2023	
FACADE OPT: C	
PLAN ID:	
FND: ALL	ELEV: C
PAGE NO: A3.1	

DUNCANS CROSSING LOT 34



FIRST FLOOR PLAN

SCALE: 1/8" = 1'-0"

*RADON VENT PROVIDED
PER LOCAL CODE

DATE	REVISION	BY



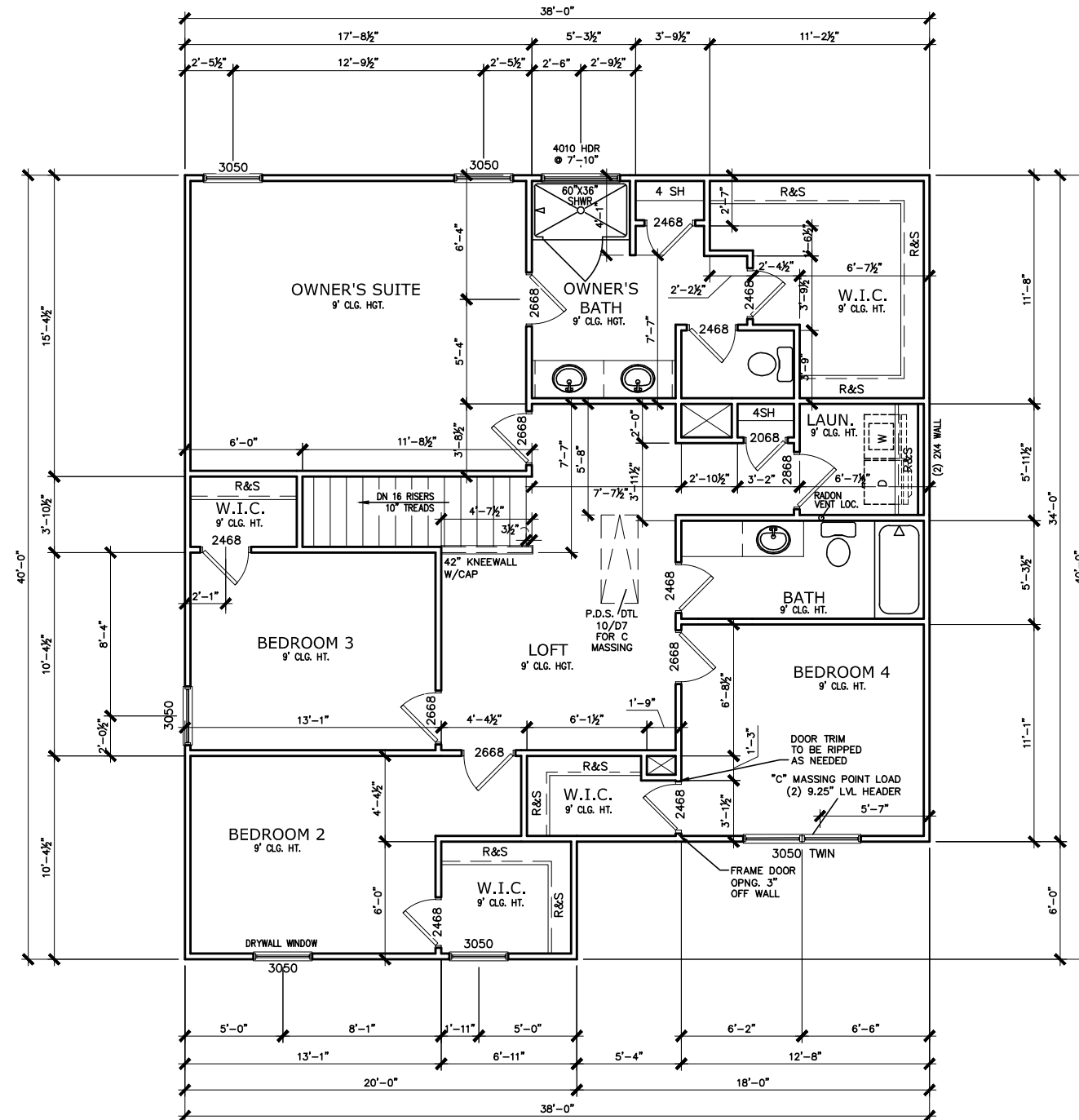
FLOOR PLAN
FIRST FLOOR
MCGINNIS

SMITH DOUGLAS HOMES
110 VILLAGE TRAIL
SUITE 115
WOODSTOCK, GA 30188
www.smithdouglas.com

SMITH DOUGLAS HOMES
expressly reserves its
property rights in these
plans and drawings.
These plans and related
drawings are not to be
reproduced without written
consent from SMITH
DOUGLAS HOMES.

BY: SL	CH: AW
DATE: 8/3/2023	
FACADE OPT: C	
PLAN ID:	
FND: ALL	ELEV: C
PAGE NO: A5.1	

DUNCANS CROSSING LOT 34



SECOND FLOOR PLAN

SCALE: 1/8" = 1'-0"

*RADON VENT PROVIDED
PER LOCAL CODE

REFER TO MANUFACTURER'S SPECS.
FOR DRAIN LOCATIONS ON DETAIL
SHEETS D12, D12.1, D12.2 & D12.3

BY:	REVISION	DATE
#	#	#
#	#	#
#	#	#
#	#	#
#	#	#



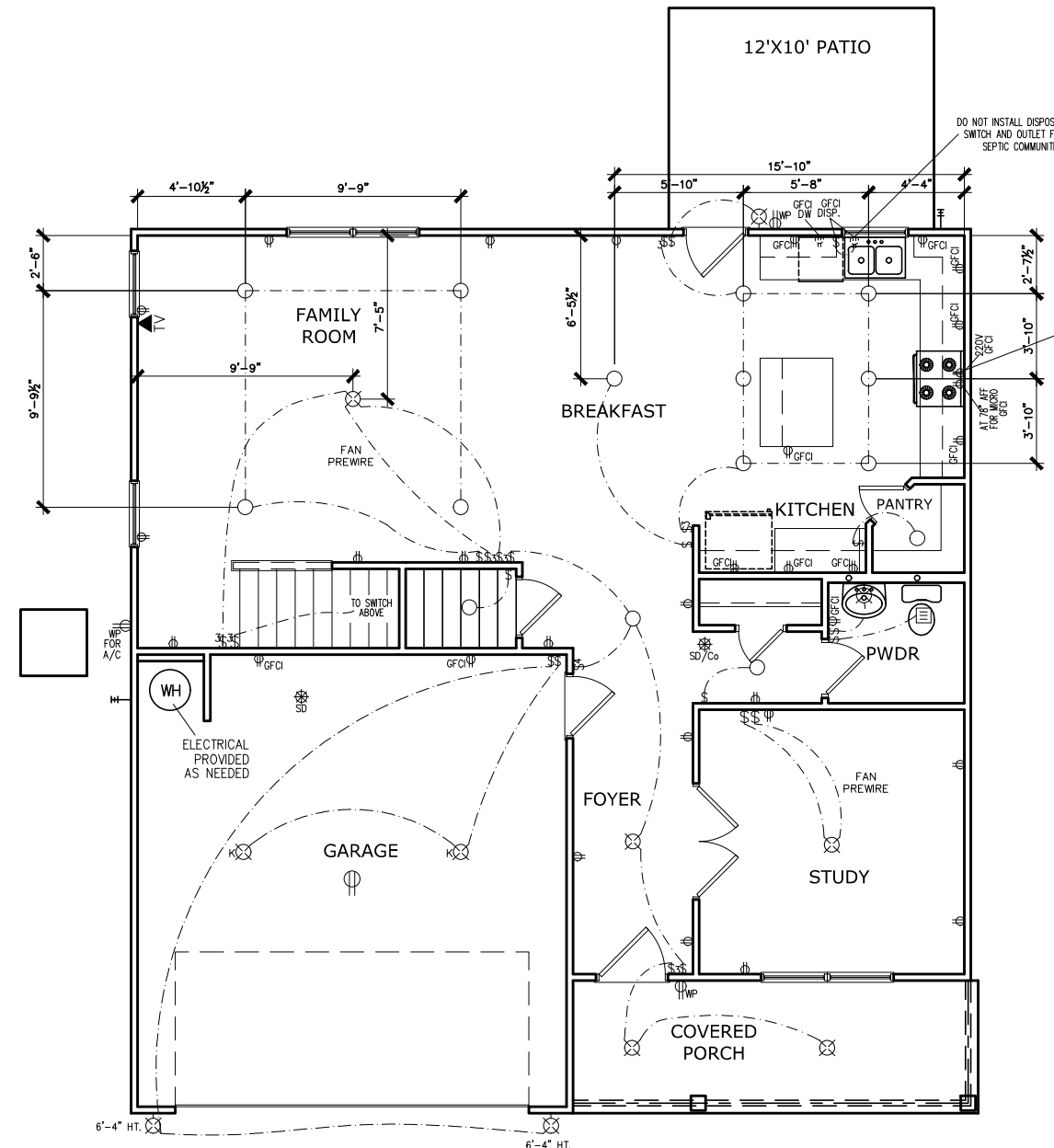
FLOOR PLANS
SECOND FLOOR
MCGINNIS

SMITH DOUGLAS HOMES
110 VILLAGE TRAIL
SUITE 115
WOODSTOCK, GA 30188
www.smithdouglas.com

SMITH DOUGLAS HOMES
expressly reserves its
property rights in these
plans and drawings.
These plans and related
drawings are not to be
reproduced without written
consent from SMITH
DOUGLAS HOMES.

BY: SL	CH: AW
DATE: 8/3/2023	
FACADE OPT: C	
PLAN ID:	
FND: ALL	ELEV: C
PAGE NO: A5.2	

DUNCANS CROSSING LOT 34



ELECTRICAL LEGEND			
\$	SWITCH	TV	TV
\$3	3 WAY SWITCH	⊕	120V RECEPTACLE
\$4	4 WAY SWITCH	⊕	120V SWITCHED RECEPTACLE
⊗	CEILING FIXTURE	⊕	220V RECEPTACLE
⊕	KEYLESS	⊕GFCI	GFCI OUTLET
⊕	WALL MOUNT FIXTURE	⊕IAFCI	ARCH FAULT CIRCUIT INTERRUPTER
○	CEILING FIXTURE	†GL	GAS LINE
●	FLEX CONDUIT	†WL	WATER LINE
CH	CHIMES	↓	HOSE BIBB
PH	TELEPHONE	⊕	FLOOD LIGHT
SD/Co	SMOKE DETECTOR & CARBON MONOXIDE	⊕	1x4 LUMINOUS FIXTURE
SO	SECURITY OUTLET	⊗	CEILING FAN
□	GARAGE DOOR OPENER	—	ELECTRICAL WIRING
⊕	EXHAUST FAN	⊕	CEILING FIXTURE
⊕	FAN/LIGHT		
ELECTRICAL PLANS TO FOLLOW ALL LOCAL CODES			
APPROX. FIXTURE HGTS (MEASURED FROM BOTTOM OF FIXTURE)			
BREAKFAST/DINING ROOM	63" ABOVE FINISHED FLOOR		
KITCHEN PENDANT LIGHTS	33" ABOVE COUNTER TOP		
TWO STORY FOYER FIXTURE	96" ABOVE FINISHED FLOOR		
CEILING FAN	96" ABOVE FINISHED FLOOR		

NOTE: FINAL PLACEMENT OF PHONE/CABLE T.B.D. ON SITE BY THE BUILDER

FIRST FLOOR ELECTRICAL PLAN

SCALE: 1/8" = 1'-0"

BY	REVISION	#	#	#	#	#



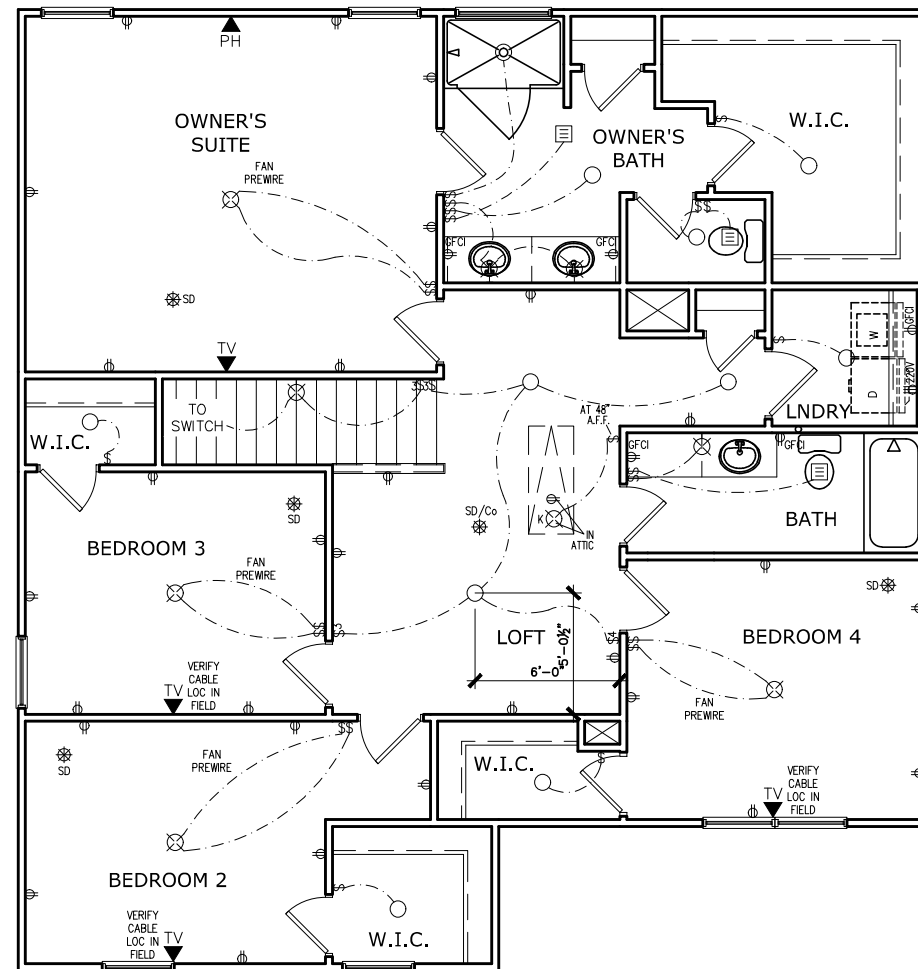
ELECTRICAL PLAN
FIRST FLOOR
MCGINNIS

SMITH DOUGLAS HOMES
110 VILLAGE TRAIL
SUITE 115
WOODSTOCK, GA 30188
www.smithdouglas.com

SMITH DOUGLAS HOMES expressly reserves its property rights in these plans and drawings. These plans and related drawings are not to be reproduced without written consent from SMITH DOUGLAS HOMES.

BY: SL	CH: AW
DATE: 8/3/2023	
FACADE OPT: C	
PLAN ID:	
FND: ALL	BLV: C
PAGE NO: A7.2	

DUNCANS CROSSING LOT 34



ELECTRICAL LEGEND			
\$	SWITCH	TV	TV
\$3	3 WAY SWITCH	⊕	120V RECEPTACLE
\$4	4 WAY SWITCH	⊕	120V SWITCHED RECEPTACLE
⊗	CEILING FIXTURE	⊕	220V RECEPTACLE
⊕	KEYLESS	⊕ _{GFCI}	GFCI OUTLET
⊗	WALL MOUNT FIXTURE	⊕ _{AFCI}	ARCH FAULT CIRCUIT INTERRUPTER
○	CEILING FIXTURE	† _{GL}	GAS LINE
●	FLEX CONDUIT	† _{WL}	WATER LINE
CH	CHIMES	⊥	HOSE BIBB
PH	TELEPHONE	⊕	FLOOD LIGHT
SD/Co	SMOKE DETECTOR & CARBON MONOXIDE	⊔	1x4 LUMINOUS FIXTURE
SO	SECURITY OUTLET	⊗	CEILING FAN
□	GARAGE DOOR OPENER	—	ELECTRICAL WIRING
⊔	EXHAUST FAN	⊕	CEILING FIXTURE
⊔	FAN/LIGHT		
ELECTRICAL PLANS TO FOLLOW ALL LOCAL CODES			
APPROX. FIXTURE HGTS (MEASURED FROM BOTTOM OF FIXTURE)			
BREAKFAST/DINING ROOM	63" ABOVE FINISHED FLOOR		
KITCHEN PENDANT LIGHTS	33" ABOVE COUNTER TOP		
TWO STORY FOYER FIXTURE	96" ABOVE FINISHED FLOOR		
CEILING FAN	96" ABOVE FINISHED FLOOR		

NOTE: FINAL PLACEMENT OF PHONE/CABLE T.B.D. ON SITE BY THE BUILDER

SECOND FLOOR ELECTRICAL PLAN

SCALE: 1/8" = 1'-0"

DATE	REVISION	BY
#	#	#
#	#	#
#	#	#
#	#	#
#	#	#



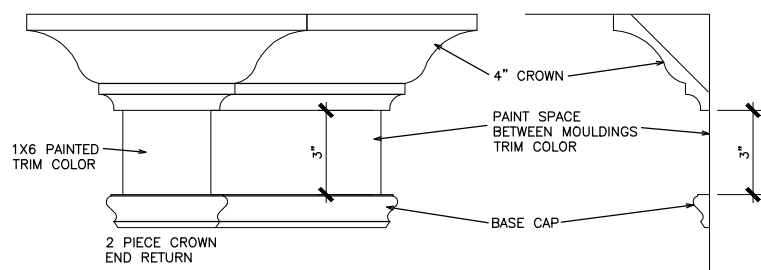
ELECTRICAL PLAN
SECOND FLOOR
MCGINNIS

SMITH DOUGLAS HOMES
110 VILLAGE TRAIL
SUITE 115
WOODSTOCK, GA 30188
www.smithdouglas.com

SMITH DOUGLAS HOMES expressly reserves its property rights in these plans and drawings. These plans and related drawings are not to be reproduced without written consent from SMITH DOUGLAS HOMES.

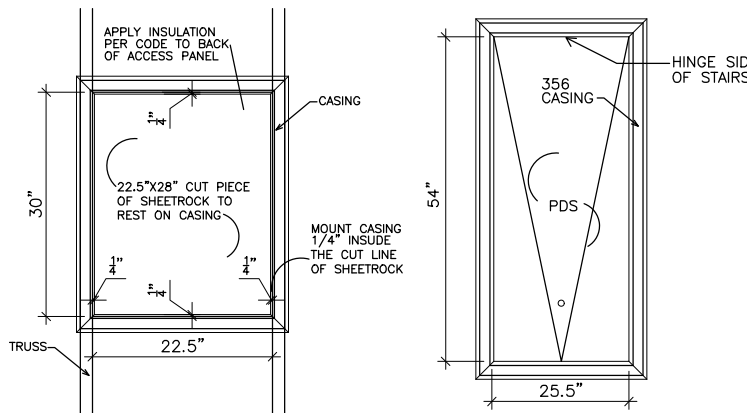
BY: SL	CH: AW
DATE: 8/3/2023	
FACADE OPT: C	
PLAN ID:	
FND: ALL	ELEV: C
PAGE NO: A7.3	

REFER TO LOT SPECIFIC PLAN TO DETERMINE WHICH DETAILS APPLY



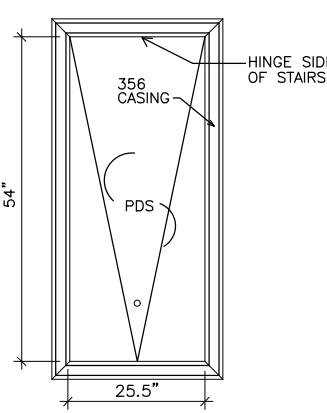
TYPICAL TWO PIECE CROWN

N.T.S.



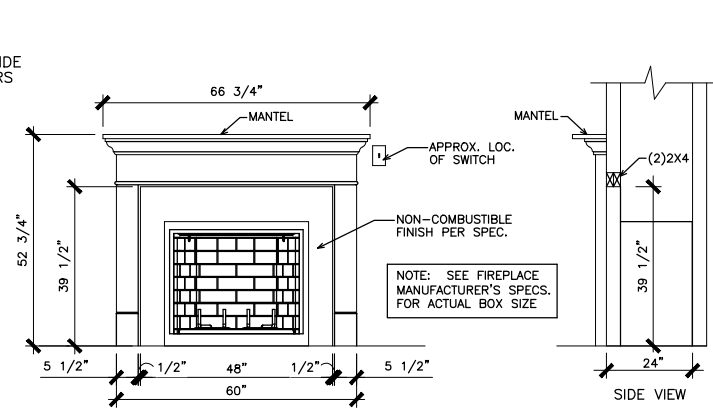
SCUTTLE HOLE DETAIL

N.T.S.



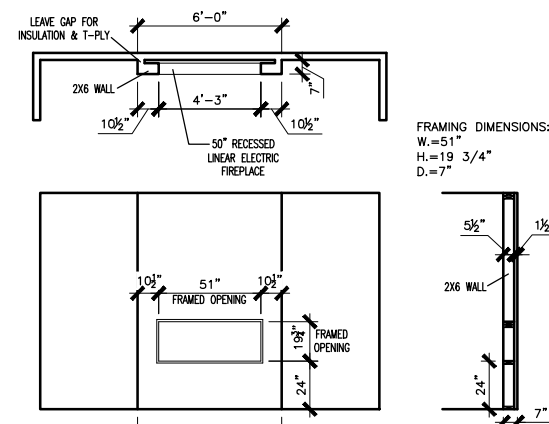
PDS TRIM DETAIL

N.T.S.



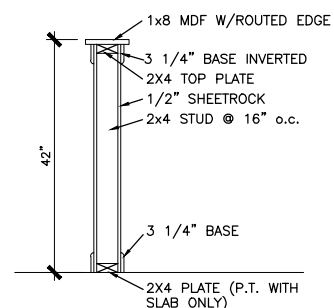
GAS/ELECTRIC FIREPLACE DETAIL WITH WESCOTT WOOD MANTEL

N.T.S.



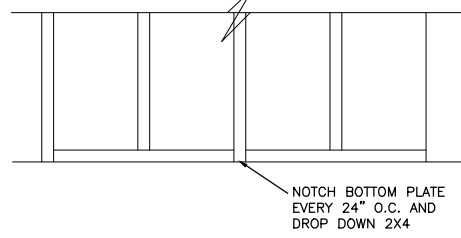
LINEAR ELECTRIC FIREPLACE DETAIL

N.T.S.



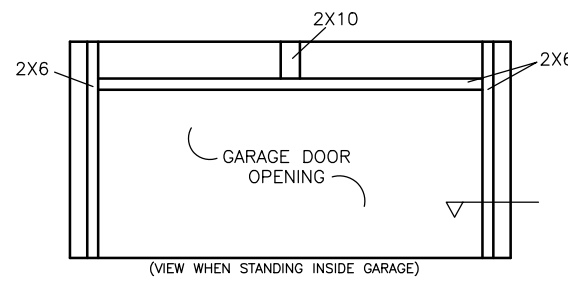
TYP. KNEEWALL SECTION

N.T.S.



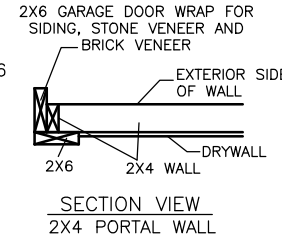
TYP. 2ND FLOOR KNEE WALL STABILITY

N.T.S.



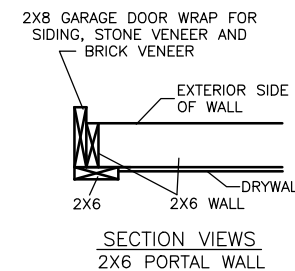
TYP. INTERIOR GARAGE "GOAL POST"

N.T.S.



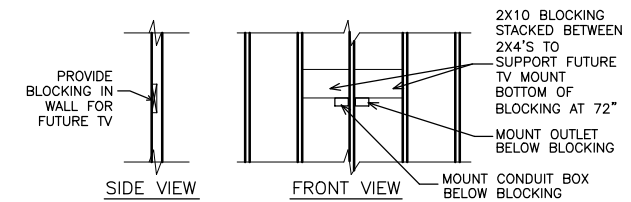
SECTION VIEW 2X4 PORTAL WALL

N.T.S.



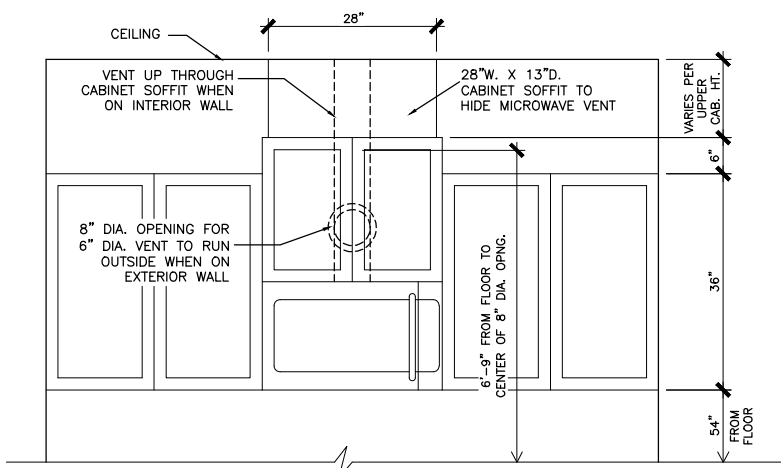
SECTION VIEWS 2X6 PORTAL WALL

N.T.S.



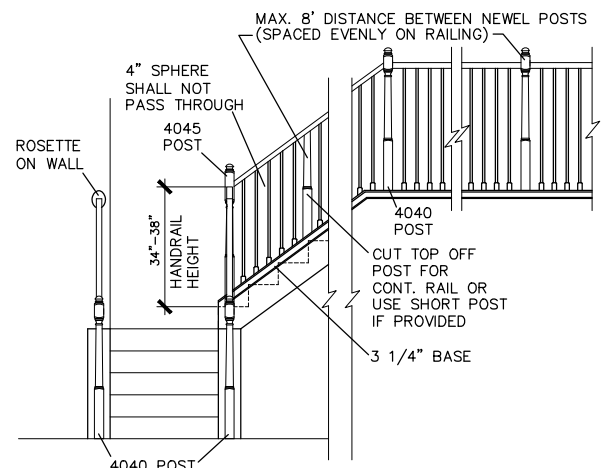
TYP. TV WALL PREP

N.T.S.



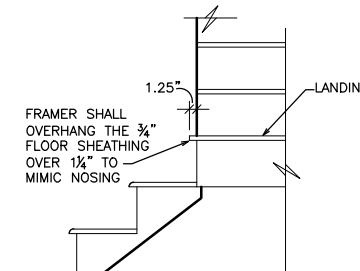
CABINET SOFFIT DETAIL ABOVE VENTED MICROWAVE W/CABINET ABOVE RANGE BUMPED UP & OUT

N.T.S.



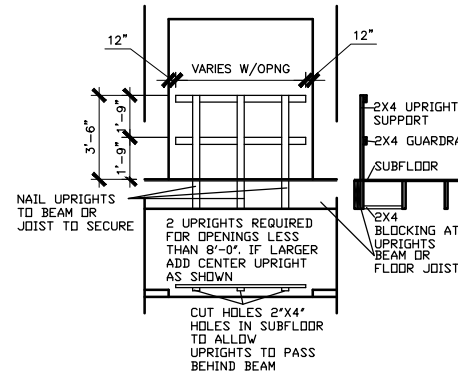
HANDRAIL/POST DETAIL @ STAIRS

N.T.S.



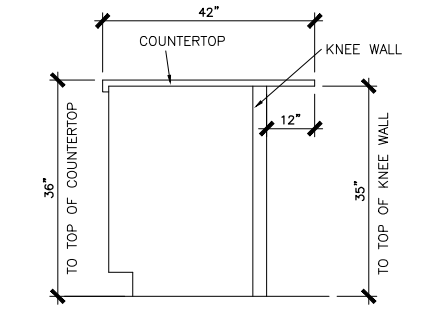
BOX STEP OVERHANG

N.T.S.



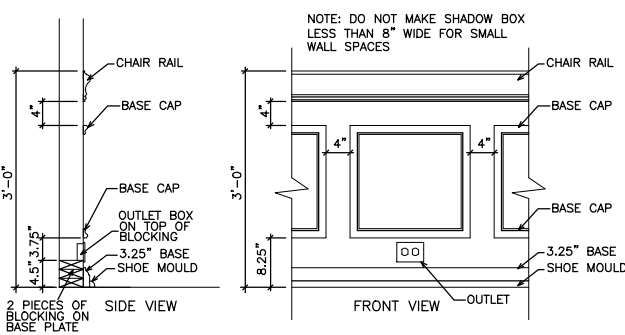
GUARD RAIL DTL. AS REQ'D

N.T.S.



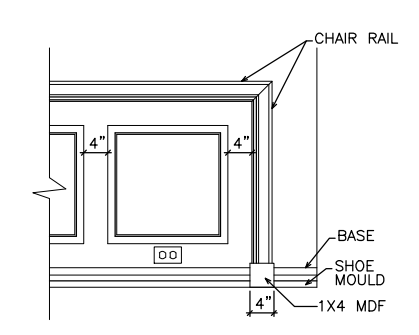
SECTION @ ISLAND KNEEWALL

N.T.S.



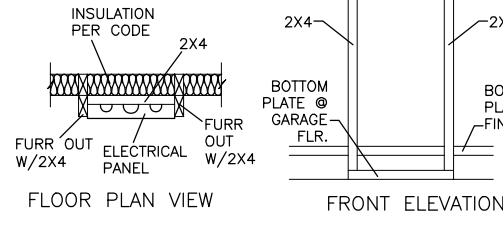
TYPICAL CHAIR RAIL & SHADOW BOX DETAIL

N.T.S.



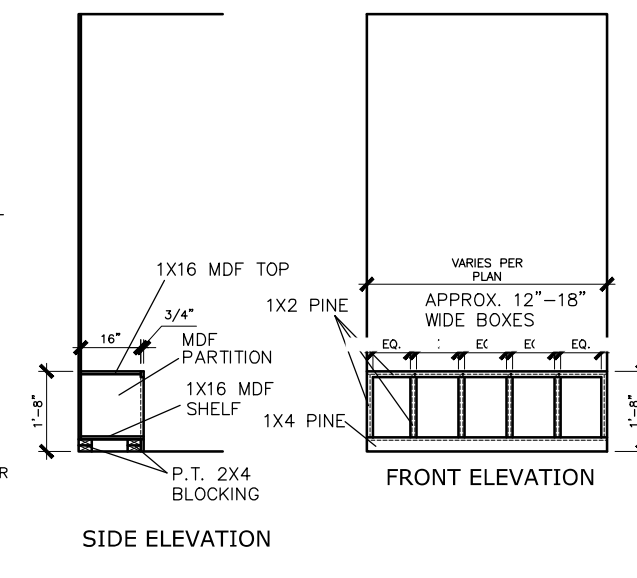
CHAIR RAIL END TRIM DETAIL

N.T.S.



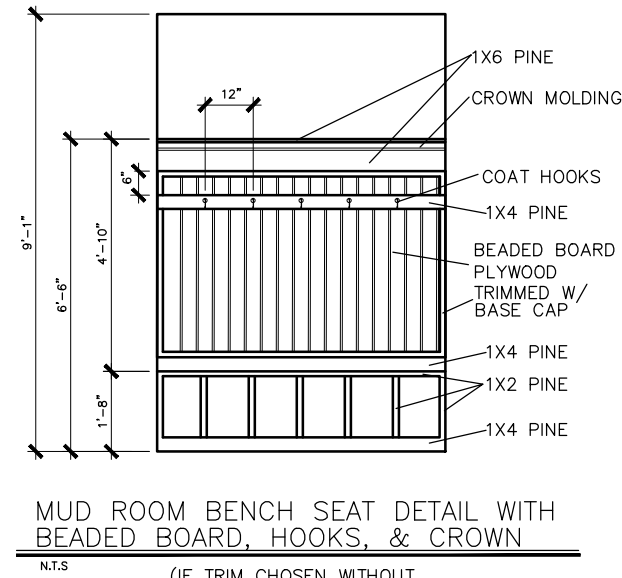
ELECTRICAL PANEL DETAIL

N.T.S.



MUD ROOM BENCH SEAT DETAIL

N.T.S.



MUD ROOM BENCH SEAT DETAIL WITH BEADED BOARD, HOOKS, & CROWN

N.T.S.

(IF TRIM CHOSEN WITHOUT BENCH CONTINUE TO FLOOR)

SMITH DOUGLAS HOMES 2023

BY	DATE	REVISION

SMITH DOUGLAS HOMES
QUALITY | INTEGRITY | VALUE

INTERIOR TRIM
DETAILS

SMITH DOUGLAS HOMES
110 VILLAGE TRAIL
SUITE 215
WOODSTOCK, GA 30188
www.smithdouglas.com

SMITH DOUGLAS HOMES expressly reserves its property rights in these plans and drawings. These plans and related drawings are not to be reproduced without written consent from SMITH DOUGLAS HOMES.

BY:	CH:
DATE:	6/13/23
FACADE OPT:	
PLAN ID:	
FND:	ELEV:
PAGE NO:	D1.1

CONNECTION SPECIFICATIONS (TYP. U.N.O.)

DESCRIPTION OF BLDG. ELEMENT	3"x0.13" NAILS	3"x0.120" NAILS
JOIST TO SOLE PLATE	(3) TOENAILS	(3) TOENAILS*
SOLE PL. TO JOIST/RIM OR BLK'G STUD TO PLATE	NAILS @ 4" O.C.	NAILS @ 4" O.C.
RIM TO TOP PLATE	(4) TOENAILS/ (3) END NAILS	(4) TOENAILS/ (4) END NAILS*
BLK'G. BTWN. JOISTS TO TOP PL.	TOENAILS @ 6" O.C.	TOENAILS @ 4" O.C.*
DOUBLE STUD	(3) TOENAILS EA. END	(3) TOENAILS EA. END*
DOUBLE TOP PLATE	NAILS @ 16" O.C.	NAILS @ 16" O.C.
DOUBLE TOP PLATE LAP SPLICE (24" MIN.)	(2) NAILS IN LAPPED AREA	(15) NAILS IN LAPPED AREA (24" MIN.)
TOP PLATE LAP @ CORNERS & INTERSECTING WALLS	(3) NAILS	(3) NAILS
RAFTER/TRUSS TO TOP PLATE	(4) TOENAILS + (1) SIMPSON H2.5T	(4) TOENAILS + (1) SIMPSON H2.5T
GAB. END TRUSS TO DBL. TOP PL.	TOENAILS @ 8" O.C.	TOENAILS @ 8" O.C.
R.T. w/ HEEL HT. 9 1/4" TO 12"	2x10 BLK EVERY 3RD BAY FASTENED TO DBL. TOP PLATE w/ TOENAILS @ 6" O.C.	2x10 BLK EVERY 3RD BAY FASTENED TO DBL. TOP PLATE w/ TOENAILS @ 4" O.C.
R.T. w/ HEEL HT. 12" TO 16"	2x12 BLK EVERY 3RD BAY FASTENED TO DBL. TOP PLATE w/ TOENAILS @ 6" O.C.	2x12 BLK EVERY 3RD BAY FASTENED TO DBL. TOP PLATE w/ TOENAILS @ 4" O.C.
R.T. w/ HEEL HT. UP TO 24"	LAP WALL SHTG. w/ DBL. TOP PL. & INSTALL ON TRUSS VERT. - FASTEN w/ NAILS @ 6" O.C.	LAP WALL SHTG. w/ DBL. TOP PL. & INSTALL ON TRUSS VERT. - FASTEN w/ NAILS @ 6" O.C.*
R.T. w/ HEEL HT. 24" TO 48"	LAP WALL SHTG. w/ DBL. TOP PL. & INSTALL ON TRUSS VERT. - FASTEN w/ NAILS @ 6" O.C. PROVIDE 2x BLK @ EA. BAY AT TOP OF HEEL	LAP WALL SHTG. w/ DBL. TOP PL. & INSTALL ON TRUSS VERT. - FASTEN w/ NAILS @ 6" O.C. PROVIDE 2x BLK @ EA. BAY AT TOP OF HEEL*
WALL TO FOUNDATION	WALL SHTG. LAP w/ SILL PL. & FASTENED PER SHEAR WALL FASTENING SPEC.	

* 2 1/2"x0.13 IS AN ACCEPTABLE ALTERNATIVE TO A 3"x0.120", SAME SPACING OR NUMBER OF NAILS. (ONLY ACCEPTABLE WHERE * ARE SHOWN)

ADDITIONAL NOTES FOR TRUSS & I-JOIST MANUFACTURER

ROOF TRUSSES AND ENGINEERED JOISTS SHALL BE DESIGNED TO MEET THE DEFLECTION CRITERIA BELOW, UNLESS NOTED OTHERWISE ON PLAN. MULHERN & KULP CANNOT BE HELD RESPONSIBLE FOR ANY STRUCTURAL ISSUES RELATED TO ANY BUILDING COMPONENT IF COMPONENT SHOP DRAWINGS ARE NOT SUBMITTED TO MK FOR REVIEW PRIOR TO FABRICATION, DELIVERY, OR INSTALLATION.

TRUSSES/JOISTS SHALL BE DESIGNED SO THAT DIFFERENTIAL DEFLECTION BETWEEN ADJACENT PARALLEL TRUSSES/JOISTS OR GIRDER TRUSSES/FLUSH BEAMS DO NOT EXCEED THE FOLLOWING:

A. ROOF TRUSSES:
1/4" DEAD LOAD

B. ATTIC TRUSSES, & I-JOISTS:
1/8" DEAD LOAD

ABSOLUTE DEAD LOAD DEFLECTION OF ATTIC TRUSSES WHEN ADJACENT TO FLOOR FRAMING BY OTHERS SHALL BE LIMITED TO 3/16". (NOT DIFFERENTIAL DEFLECTION)

VENEER LINTEL SCHEDULE

SPAN (MAX)	HEIGHT OF VENEER ABOVE LINTEL	STEEL ANGLE SIZE
3'-0"	20 FT. MAX	L3"x3"x1/4"
	3 FT. MAX	L3"x3"x1/4"
6'-0"	12 FT. MAX	L4"x3"x1/4"
	20 FT. MAX	L5"x3"x3/8"
8'-0"	3 FT. MAX	L4"x4"x1/4" *
	12 FT. MAX	L5"x3"x3/8" *
	16 FT. MAX	L6"x3"x3/8" *
9'-6"	12 FT. MAX	L6"x3"x3/8" *

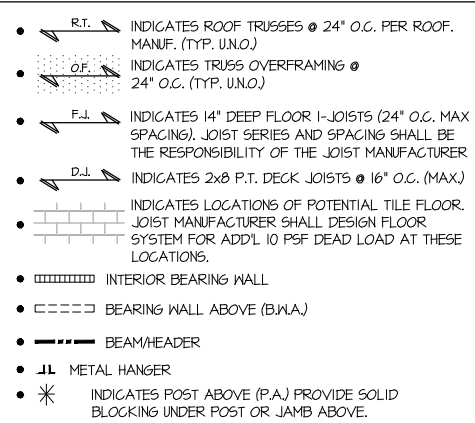
ALL LINTELS:
- SHALL SUPPORT 2 3/4" - 3 1/2" VENEER w/ 40 psf MAXIMUM HEIGHT.
- @ 8" SHALL HAVE 4" MIN. BEARING
- @ 16" SHALL HAVE 8" MIN. BEARING
- @ 8" SHALL NOT BE FASTENED BACK TO HEADER.
- @ 16" SHALL BE FASTENED BACK TO WOOD HEADER IN WALL @ 48" O.C. w/ 1/2" DIA. x 3 1/2" LONG LAG SCREWS IN 2" LONG VERTICALLY SLOTTED HOLES.
- MAX. VENEER HT. APPLIES TO ANY PORTION OF BRICK OVER THE OPENING.
- ALL LINTELS SHALL BE LONG LEG VERTICAL.
- WHEN SUPPORTING VENEER < 3" WIDE THE EXTERIOR TOE OF THE HORIZONTAL LEG MAY BE CUT IN THE FIELD TO BE 3/4" WIDE OVER THE BEARING LENGTH ONLY. THIS IS TO ALLOW FOR MORTAR JOINT FINISHING.
- SEE STRUCTURAL PLANS FOR ANY LINTEL CONDITION NOT ENCOMPASSED BY THE ABOVE PARAMETERS.
* FOR QUEEN VENEER USE L4"x3/4".

GENERAL STRUCTURAL NOTES

FOUNDATION

- DESIGN IS BASED ON 2018 NCSECC-RESIDENTIAL CODE
- FOOTING DESIGN - 2,000 PSF NET ALLOWABLE SOIL BEARING PRESSURE IS ASSUMED. BUILDER/CONTRACTOR MUST VERIFY.
- FASTEN 2x4/6 SILL PLATES TO CONC FND WITH A MINIMUM OF 2 ANCHORS PER PLATE, 12" MAX. FROM PLATE ENDS - UTILIZING:
 - 1/2" DIA. ANCHOR BOLTS @ 6'-0" O.C., 1" MIN. EMBEDMENT
 - F44 ANCHOR STRAPS @ 6'-0" O.C.
- FASTEN 2x10 SILL PLATES TO PRECAST BSMT WALLS WITH A MINIMUM OF 2 ANCHORS PER PLATE, 12" MAX. FROM PLATE ENDS - UTILIZING:
 - 1/2" DIA. BOLTS @ 2'-0" O.C.
- ALL LUMBER EXPOSED TO WEATHER OR IN CONTACT w/ PERIMETER FOUNDATION SHALL BE PRESERVATIVE TREATED SOUTHERN PINE #2.
- BUILDER TO VERIFY CORROSION-RESISTANCE COMPATIBILITY OF HARDWARE & FASTENERS IN CONTACT w/ PRESERVATIVE-TREATED WOOD. CONTACT LUMBER & HARDWARE SUPPLIERS TO COORD.
- FOUNDATION WALLS & FOOTINGS SHALL BE PLAIN CONCRETE, U.N.O.
- CONCRETE DESIGN BASED ON ACI 318. CONCRETE SHALL ATTAIN THE FOLLOWING MIN. COMPRESSIVE STRENGTHS IN 28 DAYS, U.N.O.:
 - F_c = 4,000 psi: FOUNDATION WALLS
 - 3,000 psi: FOOTINGS & INTERIOR SLABS ON GRADE
 - 3,500 psi: GARAGE & EXTERIOR SLABS ON GRADE
 - f_y = 60,000 psi
- BASEMENT FOUNDATION WALL DESIGN BASED ON:
 - 8' OR 9' HEIGHT (AS NOTED ON PLANS)
 - TALLER WALLS MUST BE ENGINEERED.
- BASEMENT WALL DESIGN IS BASED ON 30 OR 45 PCF BACKFILL SOIL. TYPE CLASSIFICATIONS:
 - 30 PCF TYPE (GM, GP, SM, SP)
 - 45 PCF TYPE (GM, GC, SM, SM-SC, ML)
 - IMPORTANT - IF 60 PCF SOIL TYPE (SC, ML-CL, OR CL) IS UTILIZED FOR BACKFILL, CONTACT MULHERN & KULP FOR FURTHER EVALUATION OF FOUNDATION DESIGN.
- BASEMENT WALLS SHALL BE BRACED, PRIOR TO BACKFILLING, BY ADEQUATE TEMPORARY BRACING OR INSTALL 1st FLOOR DECK.
- ALL CONCRETE EXPOSED TO THE WEATHER SHALL NOT HAVE LESS THAN 5% OR MORE THAN 7% AIR ENTRAINMENT.
- ALL FOOTINGS SHALL BEAR BELOW FROST LINE (TYP.) OR 12" MIN IN REGIONS WHERE CODE FROST DEPTH IS NOT APPLICABLE. CONSULT SOILS REPORT OR BUILDING DEPT. FOR MINIMUM DEPTH BELOW GRADE.
- FOOTINGS AND SLABS ON GRADE SHALL BEAR ON VIRGIN SOIL OR 95% COMPACTED FILL.
- PROVIDE CONTROL JOINTS AT ALL INSIDE CORNERS OF SLAB EDGES, AND OTHER LOCATIONS WHERE SLAB CRACKS ARE LIKELY TO DEVELOP.
 - JOINTS SHALL BE LOCATED @ 10'-0" O.C. (RECOMMENDED) OR 15'-0" O.C. (MAXIMUM)
 - JOINT GRID PATTERN SHALL BE AS CLOSE TO SQUARES AS POSSIBLE (1:1 RATIO), WITH A MAXIMUM OF 1:1.5 RATIO
 - CONTROL JOINTS SHALL NOT BE INSTALLED IN STRUCTURAL SLABS
- TYPICAL REINFORCEMENT DETAILS: PROVIDE 3" MIN. CLEAR COVER WHERE CAST AGAINST EARTH, 1 1/2" MIN. CLEAR COVER AGAINST FORMS. LAP ALL REBAR 48 BAR DIAMETERS MIN. (24" FOR #4 BARS) & BEND BARS AND LAP AT CORNERS. PROVIDE 6" HOOK INTO SUPPORTING FOOTINGS WHEN FOOTINGS INTERSECT.
- DIMENSIONS BY OTHERS, BUILDER TO VERIFY.

LEGEND



LATERAL/WALL BRACING & WALL SHEATHING SPECIFICATIONS

THIS MODEL HAS BEEN DESIGNED TO RESIST LATERAL FORCES RESULTING FROM: **120MPH WIND IN 2018 NCSECC-RC** & **120MPH WIND IN 2018 IRC** (120 MPH WIND SPEED IN ASCE 7 WIND MAP, PER IRC R301.2.1.1) EXP. B, RISK CAT. 2 & SEISMIC CAT. A/B.

THE DESIGN WAS COMPLETED PER 2015 & 2018 IBC (SECTION 1604) & ASCE 7, AS PERMITTED BY R301.1.3 OF THE 2018 NCSECC-RC & 2018 IRC. IF THE PARAMETERS OF SECTION R602.12 COMPLY. ACCORDINGLY, THIS MODEL, AS DOCUMENTED AND DETAILED HEREIN, IS ADEQUATE TO RESIST THE CODE REQUIRED LATERAL FORCES.

DESIGN WIND UPLIFT LOADS HAVE BEEN CALCULATED UTILIZING ASCE 7 (ACCEPTED ENGINEERING PRACTICE) AS ALLOWED PER 2018 NCSECC-RC & 2018 IRC SECTION R602.11.1. THIS MODEL HAS BEEN DETAILED WHERE REQUIRED & ENGINEERED TO RESIST THE WIND UPLIFT LOAD PATH PER SECTIONS R602.3.5 & R602.11.

EXT. WALL SHEATHING SPECIFICATION

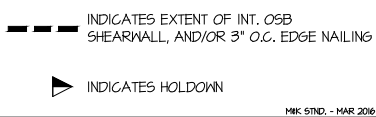
- 7/16" OSB OR 1/2" PLYWOOD: FASTEN SHEATHING w/ 2 3/8"x0.113 NAILS @ 6" O.C. AT EDGES & @ 12" O.C. IN THE PANEL FIELD. (TYP. U.N.O.)
- ALL SHEATHING PANELS SHALL BE ORIENTED VERTICALLY (LONG DIRECTION PARALLEL TO STUDS) AND INSTALLED FULL HEIGHT OF SHEAR WALL - OR - 2x HORIZONTAL BLOCKING SHALL BE PROVIDED TO SUPPORT ALL UNSUPPORTED PANEL EDGES & EDGE FASTENING.
- ALL EXT. WALLS SHALL BE CONTINUOUSLY SHEATHED AND ARE CONSIDERED SHEAR WALLS.
- ALT. STAPLE CONNECTION SPEC: 1 3/4" 16 GA STAPLES (1/2" CROWN) @ 3" O.C. AT EDGES & @ 6" O.C. IN FIELD.

3" O.C. EDGE NAILING

- AT DESIGNATED AREAS - FASTEN PANEL EDGES OF WOOD STRUCTURAL WALL SHEATHING TO FRAMING w/ 2 3/8" x 0.113" NAILS @ 3" O.C. AND 12" O.C. IN THE PANEL FIELD. NO STAPLE ALTERNATIVE AVAILABLE AT THIS SPEC. ALL SHEATHING PANELS SHALL BE ORIENTED VERTICALLY (LONG DIRECTION PARALLEL TO STUD) AND INSTALLED FULL HEIGHT OF SHEAR WALL - OR - 2x HORIZONTAL BLOCKING SHALL BE PROVIDED TO SUPPORT UNSUPPORTED PANEL EDGES AND 3" O.C. EDGE FASTENING.

NOTES

- SEE CONNECTION SPECIFICATIONS CHART FOR STANDARD SHEAR TRANSFER DETAILING. IF ADDITIONAL CAPACITY IS REQUIRED BY DESIGN, IT WILL BE SPECIFICALLY NOTED ON PLAN.
- DESIGN ASSUMES 16" O.C. MAX. STUD SPACING, U.N.O.
- ALL STRUCTURAL PANELS ARE TO BE DIRECTLY APPLIED TO STUD FRAMING.
- PRE-MANUFACTURED PANELIZED WALLS: FASTEN TOGETHER END STUDS OF WALL PANELS SHEATHED w/ OSB OR PLYWOOD w/ 3" x 0.120" NAILS @ 4" O.C. (THRU ONE SIDE ONLY)



FLOOR FRAMING

- I-JOISTS SHALL BE DESIGNED BY MANUF. TO MEET OR EXCEED L/480 LIVE LOAD DEFLECTION CRITERIA. (EXCLUDES STONE/MARBLE OR WET BED CONSTRUCTED FLOORS - CONTACT MK FOR EXCLUDED FLOOR DESIGNS)
- PER THE GUIDELINES OF THE TILE COUNCIL OF NORTH AMERICA (TCNA HANDBOOK), IT SHALL BE THE FLOOR FINISH INSTALLER'S RESPONSIBILITY TO VERIFY THAT THE FINISHES TO BE INSTALLED MATCH THE DESIGN CRITERIA NOTED ABOVE (UNDER 'DESIGN LOADS').
- FLOOR SYSTEMS & SHEATHING HAVE BEEN DESIGNED TO SUPPORT ADDITIONAL DEAD LOAD FROM CERAMIC TILE (EXCLUDING MARBLE OR STONE). HOWEVER, IT SHALL BE THE FLOOR FINISH INSTALLER'S RESPONSIBILITY TO PROVIDE PROPER UNDERLAYMENT, UNCOUPLING MEMBRANE AND MORTAR/GROUT PER THE ASSEMBLY DESIGNATIONS IN THE TCNA HANDBOOK (TILE COUNCIL OF NORTH AMERICA).
- AT I-JOIST FLOORS, PROVIDE 1" MIN. OSB RIM BOARD.
- METAL HANGERS SHALL BE SPECIFIED BY MANUFACTURER, U.N.O.
- I-JOIST SHOP DWGS. SHALL BE SUBMITTED TO ARCH. & ENG. FOR REVIEW AND APPROVAL PRIOR TO FABRICATION OR DELIVERY.
- FLOOR SHEATHING SHALL BE 23/32" A.P.A. RATED 'STUD-1-FLOOR' 24" O.C. EXPOSURE 1 (OR APPROVED EQUAL) WITH TONGUE AND GROOVE EDGES. FASTEN TO FRAMING MEMBERS w/ GLUE AND:
 - 2 1/2" x 0.131" NAILS @ 6" O.C. @ PANEL EDGES @ 12" O.C. FIELD.
 - 2 3/8" x 0.120" NAILS @ 4" O.C. @ PANEL EDGES @ 8" O.C. FIELD.
 - 2 3/8" x 0.113" NAILS @ 3" O.C. @ PANEL EDGES @ 6" O.C. IN FIELD.

ROOF FRAMING

- ROOF SHEATHING SHALL BE 7/16" A.P.A. RATED SHEATHING 24/16 EXPOSURE 1 (OR APPROVED EQUAL). FASTEN TO FRAMING MEMBERS:
 - w/ 2 1/2" x 0.131" NAILS @ 6" O.C. @ PANEL EDGES @ 12" O.C. FIELD.
 - w/ 2 3/8" x 0.120" NAILS @ 4" O.C. @ PANEL EDGES @ 8" O.C. FIELD.
 - w/ 2 3/8" x 0.113" NAILS @ 3" O.C. @ PANEL EDGES @ 6" O.C. FIELD.
- WITHIN 48" OF ALL ROOF EDGES, RIDGES, & HIPPS FASTEN ROOF SHEATHING FIELDS PER EDGE NAILING SPEC.
- FASTEN EACH ROOF TRUSS TO TOP PLATE w/ USP RTTA CLIP (OR APPROVED EQUAL) @ ALL BEARING POINTS. PROVIDE (2) RTTA CLIPS AT 2-PLY GIRDER TRUSSES, (3) RTTA CLIPS AT 3-PLY GIRDER TRUSSES & ROOF BEAMS - AT ALL BEARING POINTS.
- METAL HANGERS SHALL BE SPECIFIED BY THE MANUFACTURER, U.N.O.
- ROOF TRUSS SHOP DWGS. SHALL BE SUBMITTED TO ARCH & ENG. FOR REVIEW AND APPROVAL PRIOR TO FABRICATION OR DELIVERY.
- ERECT AND INSTALL ROOF TRUSSES PER ITC & IPI'S BC01 I *GUIDE TO GOOD PRACTICE FOR HANDLING, INSTALLING & BRACING OF METAL PLATE CONNECTED WOOD TRUSSES.*
- SUPPORT SHORT SPAN ROOF TRUSSES w/ 2x4 LEDGER FASTENED TO FRAMING w/ (2) 3" x 0.120" NAILS @ 16" O.C. (UP TO 1" SPAN).

MEANS & METHODS NOTES

THE STRUCTURE IS DESIGNED TO BE SELF SUPPORTING AND STABLE AFTER THE BUILDING IS FINISHED AND ALL PLAN, DETAIL, AND NOTE SPECIFICATIONS HAVE BEEN COMPLETED. IT IS THE CONTRACTOR'S SOLE RESPONSIBILITY TO DETERMINE THE ERECTION PROCEDURES AND SEQUENCE TO INSURE THE SAFETY OF THE BUILDING AND ITS COMPONENTS DURING CONSTRUCTION. THIS INCLUDES, BUT IS NOT LIMITED TO, THE ADDITION OF NECESSARY SHORING, SHEETING, TEMPORARY BRACING, GUYS, AND TIE-DOWNS. CONTRACTOR SHALL BE RESPONSIBLE FOR ALL SHORING AND BRACING REQUIRED TO STABILIZE AND PROTECT EXISTING AND ADJACENT STRUCTURES AND SYSTEMS DURING COURSE OF DEMOLITION AND CONSTRUCTION OF THE PROJECT.

STRUCTURAL DESIGN AND SPECIFICATIONS ASSUME THAT ALL SUPPORTING AND NON-SUPPORTING ELEMENTS IN CONTACT WITH FLOOR FRAMING ARE LEVEL, INCLUDING, BUT NOT LIMITED TO; FOUNDATIONS, SLABS ON GRADE, BEAMS, WALLS, AND NON-BEARING ELEMENTS. IT IS THE CONTRACTOR'S RESPONSIBILITY TO VERIFY LEVELNESS AND MAKE ADJUSTMENTS AS NECESSARY, INCLUDING CONSIDERATION OF THOSE AREAS THAT MAY BE WITHIN CONTRACTUAL, INDUSTRY, OR WARRANTY TOLERANCES.

GENERAL STRUCTURAL NOTES

- DESIGN IS BASED ON 2018 NCSECC-RESIDENTIAL CODE
- WOOD FRAME ENGINEERING IS BASED ON NDS, 'NATIONAL DESIGN SPECIFICATION FOR WOOD CONSTRUCTION' - LATEST EDITION.
- DESIGN LOADS:
 - ROOF: LIVE = 20 PSF, DEAD = 7 PSF T.C., 10 PSF B.C., LOAD DURATION FACTOR = 1.25
 - FLOOR: LIVE = 40 PSF (30 PSF @ SLEEPING AREAS), DEAD = 10 PSF (I-JOISTS)
 - ADDL. 10 PSF @ CERAMIC TILE IN BATHS & LAUND.
 - SOIL: 2,000 PSF ASSUMED ALLOWABLE BEARING PRESSURE (TO BE VERIFIED BY BUILDER)

GENERAL FRAMING

- ALL TYP. NAIL FASTENER REQUIREMENTS ARE NOTED IN STANDARD CONNECTIONS TABLE (IRC TABLE R602.3.1) OR ON PLANS. ALL NAILS SPECIFIED ARE MIN DIAMETER AND LENGTH REQUIRED FOR CONNECTION. ALL HANGER NAILS SHALL BE INSTALLED PER MANUFACTURER'S REQUIREMENTS FOR MAX CHARTED CAPACITY. NOTE: HANGERS USE COMMON NAIL DIAMETERS NOT TYPICAL FRAMING GUN NAILS.
- EXT. & INT. BEARING WALLS SHALL BE 2x4 OR 2x6 (AS SHOWN ON PLANS) @ 16" O.C. SPF/SP 'STUD' GRADE LUMBER, OR BETTER, U.N.O.
 - WALLS OVER 12' TALL SHALL BE PER PLAN.
- ALL INTERIOR BEARING WALLS ARE ASSUMED TO BE SHEATHED w/ GYP WALL BOARD (ONE SIDE MIN.) OR PROVIDE MID HT. BLOCKING.
- ALL HEADERS, BEAMS & OTHER STRUCTURAL MEMBERS SHALL BE SPRUCE-PINE-FIR #2 (SPF) OR SOUTHERN PINE #2 (SP) LUMBER, OR BETTER. SUPPORT ALL HEADERS/ BEAMS w/ (1) 2x JACK STUD & (1) 2x KING STUD, MINIMUM.
 - THE NUMBER OF STUDS SPECIFIED AT A SUPPORT INDICATES THE NUMBER OF JACK STUDS REQUIRED, U.N.O.
- ALL NON-BEARING INTERIOR STUD WALLS SHALL BE CONSTRUCTED WITH 2x 'STUD' GRADE MEMBERS SPACED @ 24" O.C. (MAX., U.N.O.)
 - HEADERS IN NON-LOAD BEARING WALLS SHALL BE: (1) 2x4/6 FLAT @ OPENINGS UP TO 4'; (2) 2x4/6 FLAT UP TO 8'.
- ALL FRAMING LUMBER SHALL BE DRIED TO 15% MC (KD-15).
- ENGINEERED LUMBER BEAMS TO MEET OR EXCEED THE FOLLOWING:
 - LVL - Fb=2600 psi; Fv=285 psi; E=2.0x10⁶ psi
- ENGINEERED LUMBER POSTS TO MEET OR EXCEED THE FOLLOWING:
 - LVL - Fb=2400 psi; FcII=2500 psi; E=1.8x10⁶ psi
- FOR 2 & 3 PLY BEAMS OF EQUAL 1 3/4" MAX. WIDTH, FASTEN PLYS TOGETHER WITH 3 ROWS OF 3"x0.120" NAILS @ 8" O.C. OR 2 ROWS USP W635 SCREWS (OR 3/8" TRUSSLOK SCREWS) @ 16" O.C. USE A MINIMUM OF 4 ROWS FOR BEAM DEPTHS OF 14" OR GREATER. APPLY FASTENING AT BOTH FACES FOR 3-PLY CONDITION. LOCATE TOP & BOTTOM NAILS/SCREWS 2" FROM EDGE. SOLID 3 1/2" OR 5 1/4" BEAMS ARE ACCEPTABLE. USE 2 ROWS OF NAILS FOR 2x6 & 2x8 MEMBERS.
- FOR 4 PLY BEAMS OF EQUAL 1 3/4" MAX. WIDTH, FASTEN PLYS TOGETHER WITH 3 ROWS OF USP W66 SCREWS (OR 6 3/4" TRUSSLOK SCREWS) @ 16" O.C. USE A MINIMUM OF 4 ROWS FOR BEAM DEPTHS OF 14" OR GREATER. APPLY FASTENING AT BOTH FACES (ONE SIDE ONLY FOR TRUSSLOK SCREWS). LOCATE TOP AND BOTTOM SCREWS 2" FROM EDGE. A SOLID 1" BEAM IS ACCEPTABLE.
- PROVIDE SOLID BLOCKING IN FLOOR SYSTEM UNDER ALL POSTS CONTINUOUS TO FND/BEARING. BLOCKING TO MATCH POST ABOVE.
- ALL EXTERIOR 4x4 WOOD POSTS SHALL HAVE USP BC522-4 CAP & PA44E BASE, U.N.O.

Duncans Lot 34



MULHERN+KULP
RESIDENTIAL STRUCTURAL ENGINEERING
35255 Dunsmuir Parkway, Suite 105 - Alpharetta, GA 30007
770-777-8874 - mulhern@mulhernkulp.com
NC License # C-3825

Mulhern+Kulp project number:
256-21009

project mgr: **SMK**
drawn by: **MJF**
issue date: **10-26-2021**

REVISIONS:
date: initial:
11/22/21 **JPP**
MODIFIED PLANS ADDED

SMITH DOUGLAS HOMES

GENERAL STRUCTURAL NOTES
MCGINNIS MODEL
120 MPH WIND ZONE
NORTH CAROLINA

sheet:
SO.0

Mulhern+Kulp project number:
256-21009

project mgr: **SMK**
 drawn by: **MJF**
 issue date: **10-26-2021**

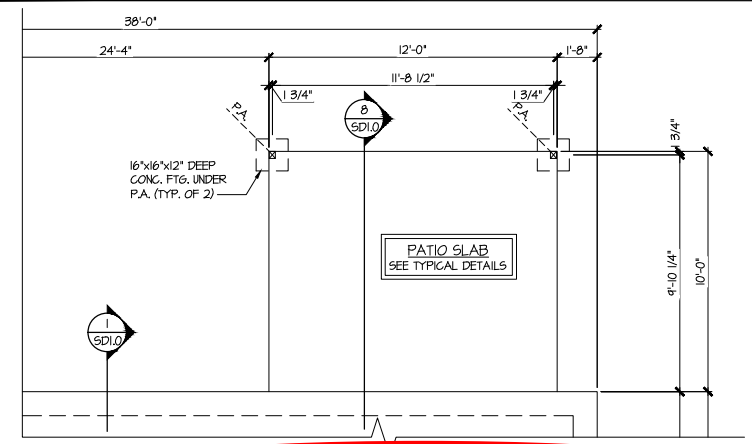
REVISIONS:

date:	initial:
11/22/21	JPP
REWORKED PLANS ADDED	

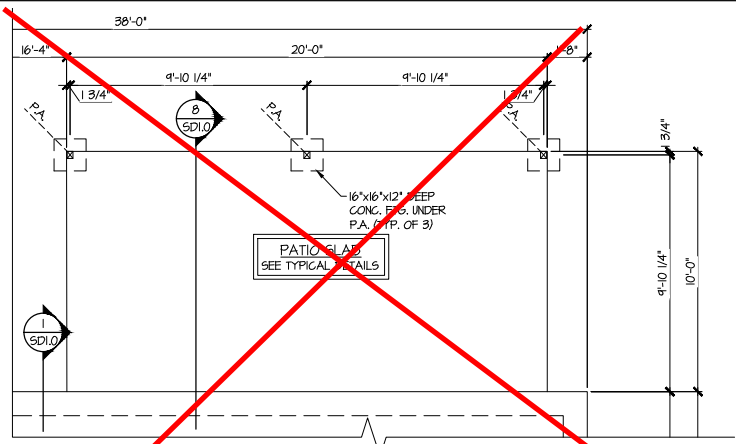
SMITH DOUGLAS
 HOMES

MONO-SLAB FOUNDATION
 MCGINNIS MODEL
 120 MPH WIND ZONE
 NORTH CAROLINA

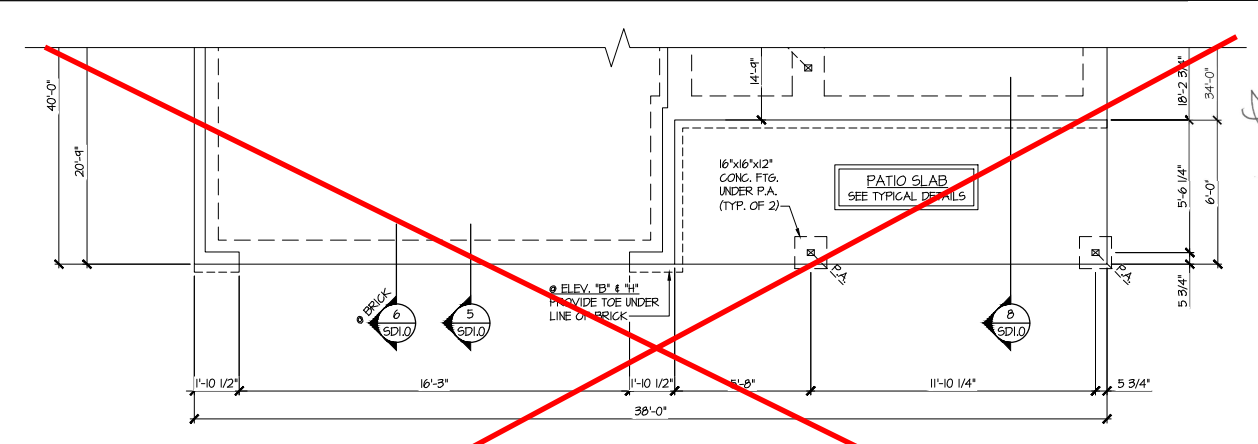
sheet:
S1.0M



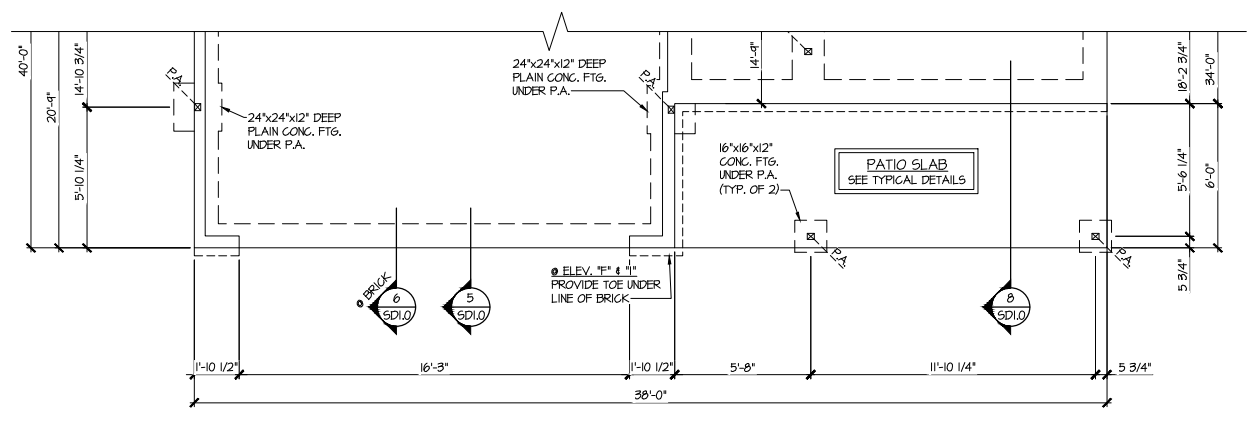
4 PARTIAL MONO-SLAB FOUNDATION PLAN
 SCALE: 1/4"=1'-0" ON 22x34
 1/8"=1'-0" ON 11x17
 OPT. COVERED PORCH



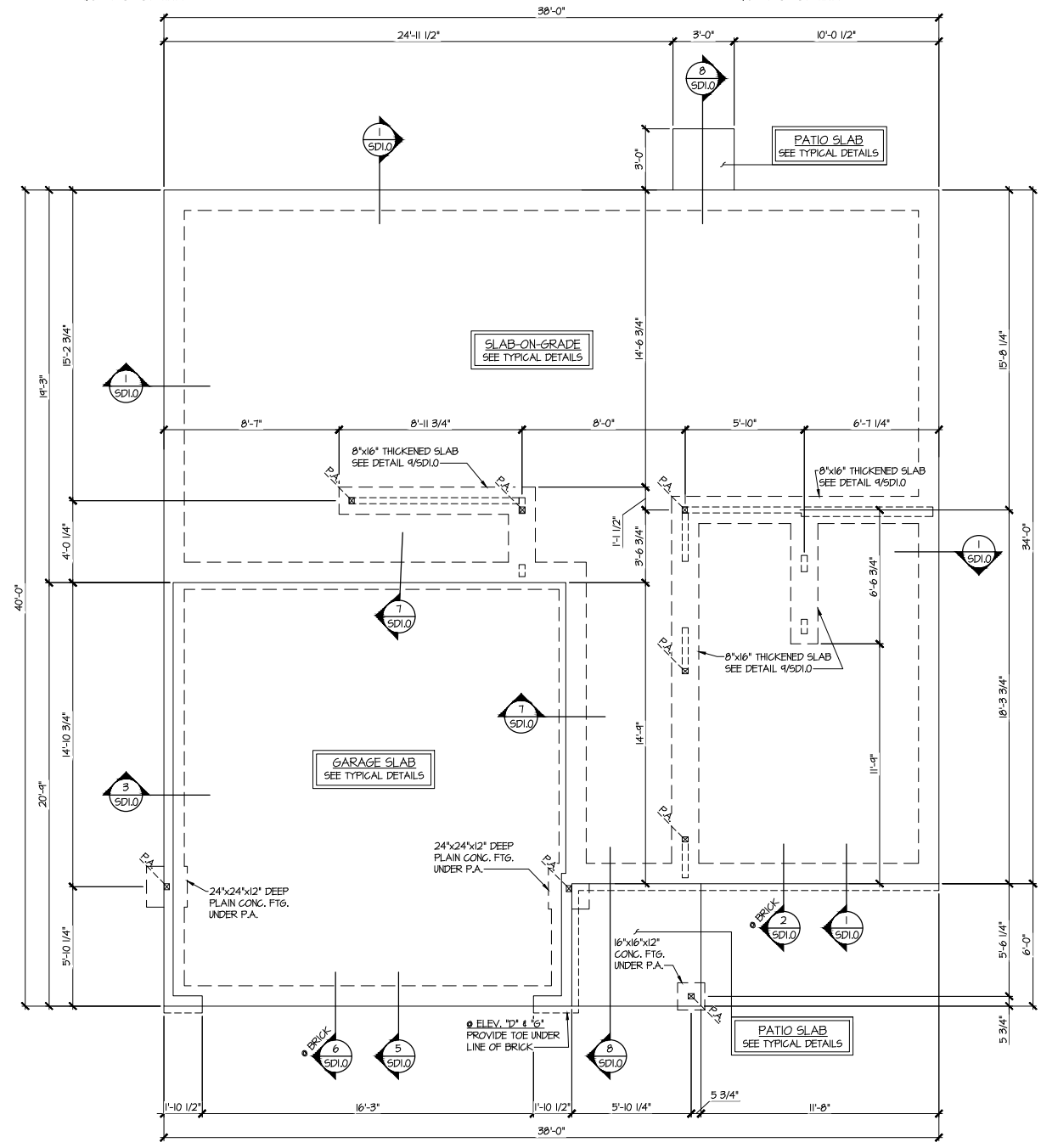
5 PARTIAL MONO-SLAB FOUNDATION PLAN
 SCALE: 1/4"=1'-0" ON 22x34
 1/8"=1'-0" ON 11x17
 OPT. LARGE COVERED PORCH



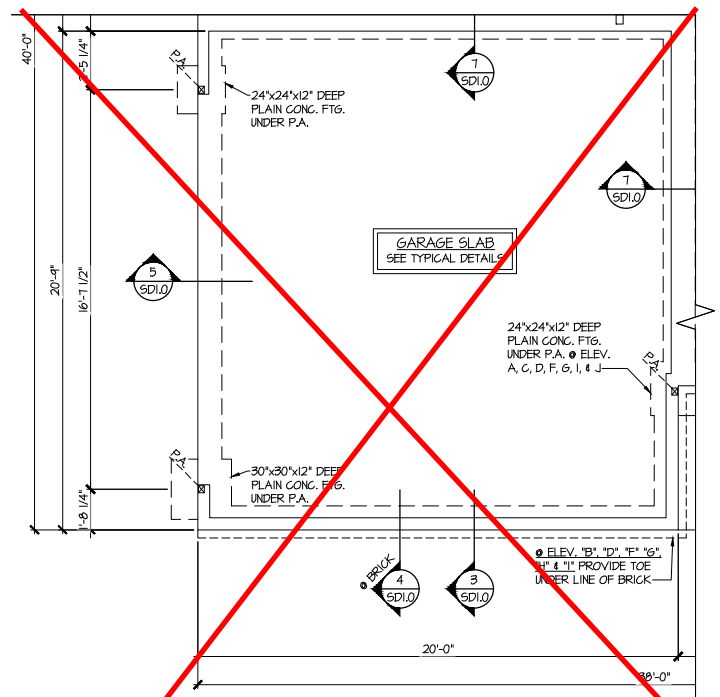
2 PARTIAL MONO-SLAB FOUNDATION PLAN
 SCALE: 1/4"=1'-0" ON 22x34
 1/8"=1'-0" ON 11x17
 ELEV. B, E, H, & K



3 PARTIAL MONO-SLAB FOUNDATION PLAN
 SCALE: 1/4"=1'-0" ON 22x34
 1/8"=1'-0" ON 11x17
 ELEV. C, F, & I



1 MONO-SLAB FOUNDATION PLAN
 SCALE: 1/4"=1'-0" ON 22x34
 1/8"=1'-0" ON 11x17
 ELEV. A, D, G, & J



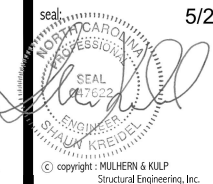
6 PARTIAL MONO-SLAB FOUNDATION PLAN
 SCALE: 1/4"=1'-0" ON 22x34
 1/8"=1'-0" ON 11x17
 OPT. SIDE ENTRY GARAGE

**Duncans
 Lot 34**

REFER TO S.O.0 FOR TYPICAL
 STRUCTURAL NOTES & SCHEDULES

LEGEND

- R.T. INDICATES ROOF TRUSSES @ 24" O.C. PER ROOF. MANUF. (TYP. U.N.O.)
- O.F. INDICATES TRUSS OVERFRAMING @ 24" O.C. (TYP. U.N.O.)
- F.J. INDICATES 14" DEEP FLOOR I-JOISTS (24" O.C. MAX SPACING). JOIST SERIES AND SPACING SHALL BE THE RESPONSIBILITY OF THE JOIST MANUFACTURER
- D.J. INDICATES 2x8 P.T. DECK JOISTS @ 16" O.C. (MAX)
- [Symbol] INDICATES LOCATIONS OF POTENTIAL TILE FLOOR. JOIST MANUFACTURER SHALL DESIGN FLOOR SYSTEM FOR ADD'L 10 PSF DEAD LOAD AT THESE LOCATIONS.
- [Symbol] INTERIOR BEARING WALL
- [Symbol] BEARING WALL ABOVE (B.W.A.)
- [Symbol] BEAM/HEADER
- [Symbol] METAL HANGER
- * INDICATES POST ABOVE (P.A.) PROVIDE SOLID BLOCKING UNDER POST OR JAMB ABOVE.



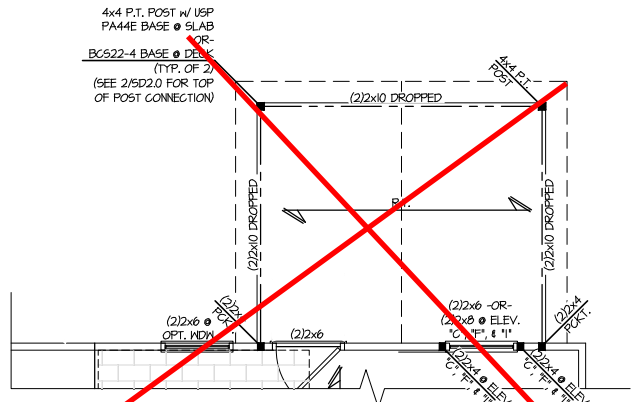
MULHERN+KULP
RESIDENTIAL STRUCTURAL ENGINEERING
3825 Matthews Parkway, Suite 105 - Alpharetta, GA 30022
770-777-8874 - mulhern+kulp.com
NC License # C-3825

Mulhern+Kulp project number:
256-21009
project mgr: **SMK**
drawn by: **MJF**
issue date: **10-26-2021**
REVISIONS:
date: initial:
11/22/21 JPP
REWORKED PLANS ADDED

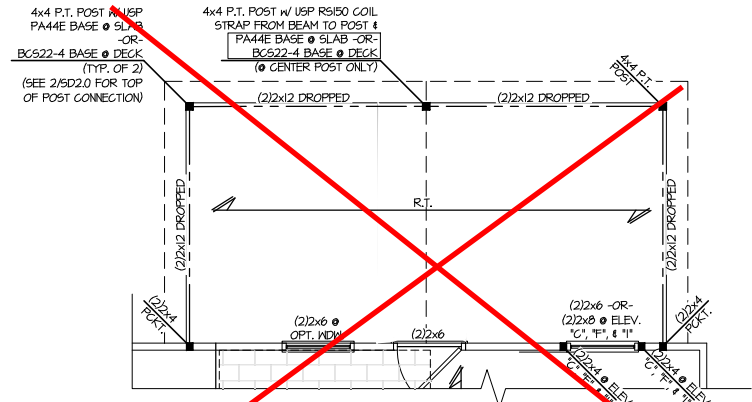
SMITH DOUGLAS
HOMES

2ND FLOOR FRAMING PLAN
MCGINNIS MODEL
120 MPH WIND ZONE
NORTH CAROLINA

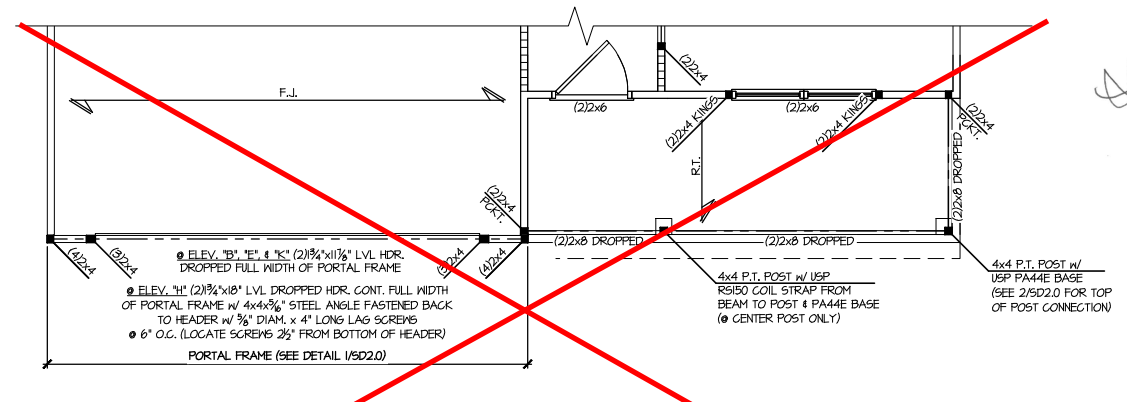
sheet:
S3.0M



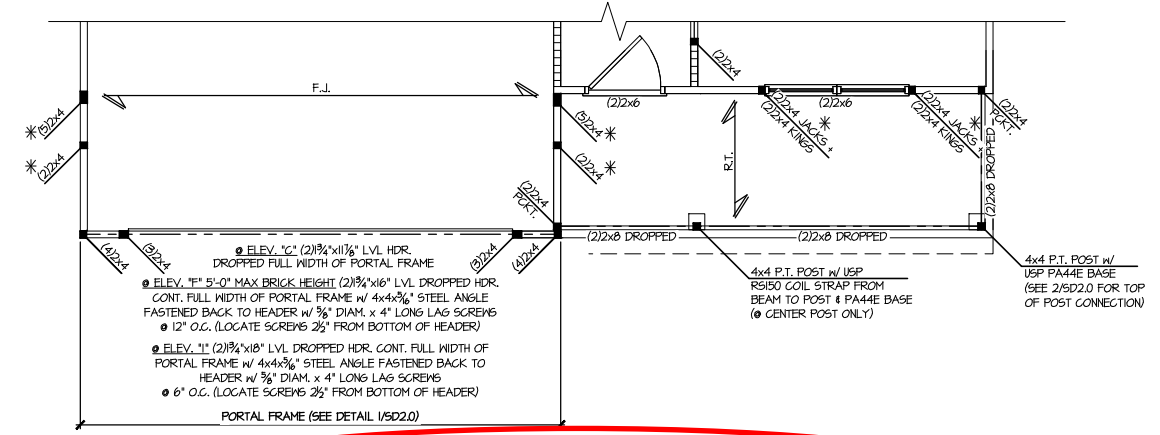
4 PARTIAL 2ND FLOOR FRAMING
SCALE: 1/4"=1'-0" ON 22x34
1/8"=1'-0" ON 11x17
OPT. COVERED PORCH



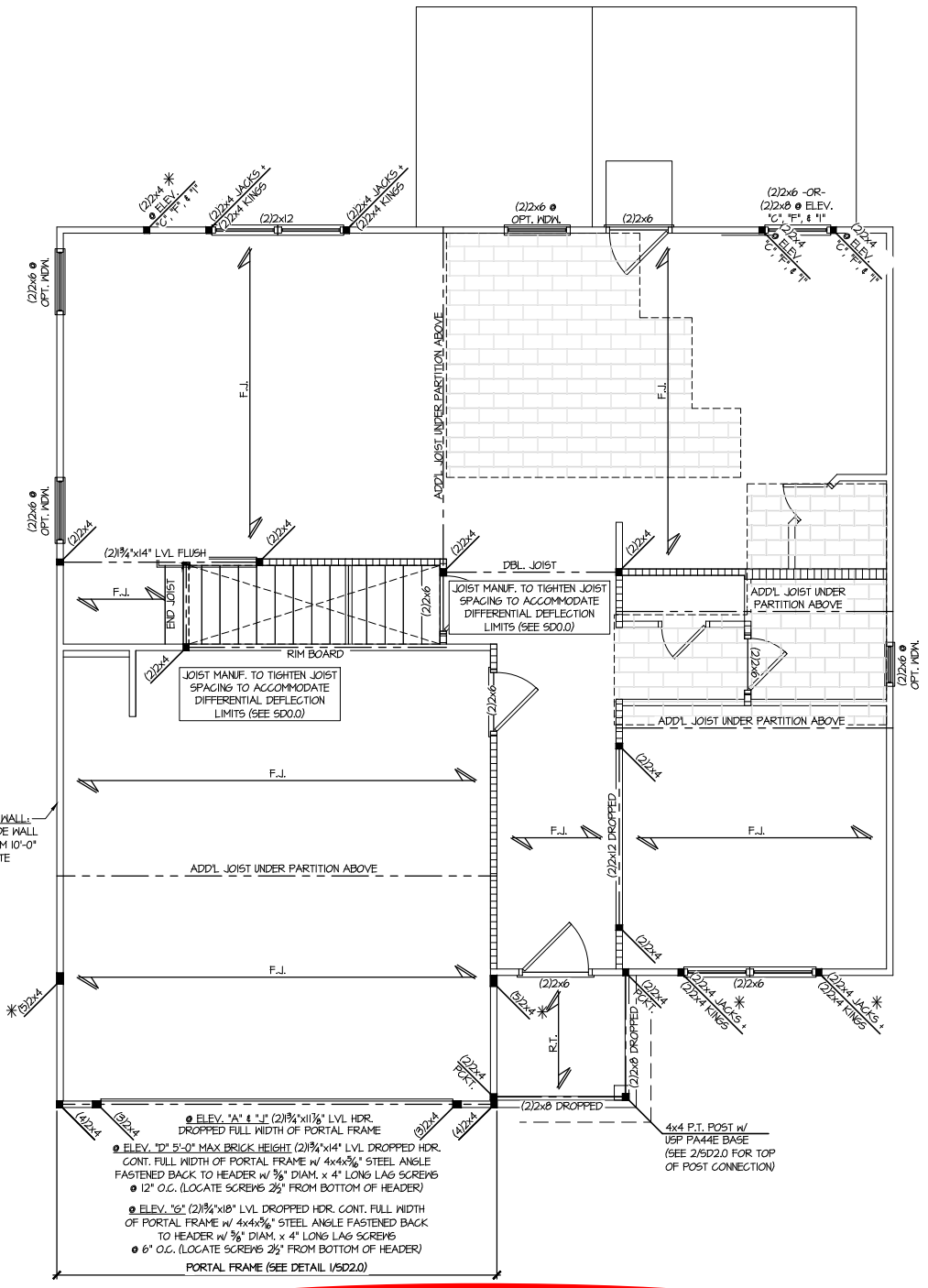
5 PARTIAL 2ND FLOOR FRAMING
SCALE: 1/4"=1'-0" ON 22x34
1/8"=1'-0" ON 11x17
OPT. LARGE COVERED PORCH



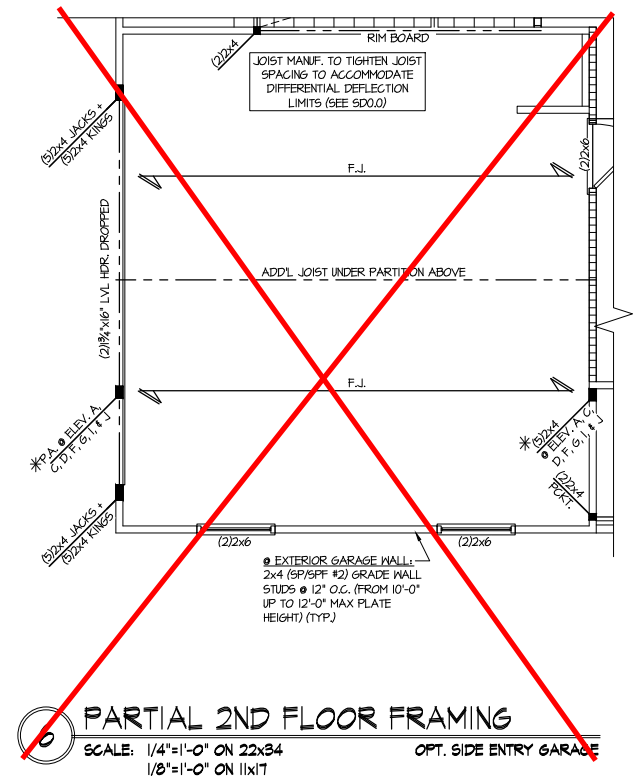
2 PARTIAL 2ND FLOOR FRAMING
SCALE: 1/4"=1'-0" ON 22x34
1/8"=1'-0" ON 11x17
ELEV. B, E, H, J, K



3 PARTIAL 2ND FLOOR FRAMING
SCALE: 1/4"=1'-0" ON 22x34
1/8"=1'-0" ON 11x17
ELEV. C, F, I



1 2ND FLOOR FRAMING
SCALE: 1/4"=1'-0" ON 22x34
1/8"=1'-0" ON 11x17
ELEV. A, D, G, H, I, K



6 PARTIAL 2ND FLOOR FRAMING
SCALE: 1/4"=1'-0" ON 22x34
1/8"=1'-0" ON 11x17
OPT. SIDE ENTRY GARAGE

**Duncans
Lot 34**

REFER TO 50.0 FOR TYPICAL
STRUCTURAL NOTES & SCHEDULES
THIS LEVEL HAS BEEN DESIGNED
FOR 9'-1" PLATE HEIGHT

LEGEND

- R.T. INDICATES ROOF TRUSSES @ 24" O.C. PER ROOF. MANUF. (TYP. UNO.)
- O.F. INDICATES TRUSS OVERFRAMING @ 24" O.C. (TYP. UNO.)
- F.J. INDICATES 14" DEEP FLOOR I-JOISTS (24" O.C. MAX SPACING). JOIST SERIES AND SPACING SHALL BE THE RESPONSIBILITY OF THE JOIST MANUFACTURER
- D.J. INDICATES 2x8 P.T. DECK JOISTS @ 16" O.C. (MAX)
- [Pattern] INDICATES LOCATIONS OF POTENTIAL TILE FLOOR. JOIST MANUFACTURER SHALL DESIGN FLOOR SYSTEM FOR ADD'L 10 PSF DEAD LOAD AT THESE LOCATIONS.
- [Pattern] INTERIOR BEARING WALL
- [Pattern] BEARING WALL ABOVE (B.W.A.)
- [Line] BEAM/HEADER
- J.L. METAL HANGER
- * INDICATES POST ABOVE (P.A.) PROVIDE SOLID BLOCKING UNDER POST OR JAMB ABOVE.

LATERAL/WALL BRACING & WALL SHEATHING SPECIFICATIONS

THIS MODEL HAS BEEN DESIGNED TO RESIST LATERAL FORCES RESULTING FROM:
120MPH WIND IN 2018 NCSBG:RC
& 120MPH WIND IN 2018 IRC
 (120 MPH WIND SPEED IN ASCE 7 WIND MAP, PER IRC R301.2.1.1) EXP. B, RISK CAT. 2 & SEISMIC CAT. A/B.

THE DESIGN WAS COMPLETED PER 2015 & 2018 IBC SECTION 1604) & ASCE 7, AS PERMITTED BY R301.1.3 OF THE 2018 NCSBG:RC & 2018 IRC. IF THE PARAMETERS OF SECTION R602.12 COMPLY. ACCORDINGLY, THIS MODEL, AS DOCUMENTED AND DETAILED HEREWITHIN, IS ADEQUATE TO RESIST THE CODE REQUIRED LATERAL FORCES.

DESIGN WIND UPLIFT LOADS HAVE BEEN CALCULATED UTILIZING ASCE 7 (ACCEPTED ENGINEERING PRACTICE) AS ALLOWED PER 2018 NCSBG:RC & 2018 IRC SECTION R802.11.1.1. THIS MODEL HAS BEEN DETAILED WHERE REQUIRED & ENGINEERED TO RESIST THE WIND UPLIFT LOAD PATH PER SECTIONS R602.3.5 & R802.11.

EXT. WALL SHEATHING SPECIFICATION

- 7/16" OSB OR 15/32" PLYWOOD:
 FASTEN SHEATHING w/ 2 3/8"x0.113 NAILS @ 6" O.C. AT EDGES & @ 12" O.C. IN THE PANEL FIELD. (TYP. UNO.)
- ALL SHEATHING PANELS SHALL BE ORIENTED VERTICALLY (LONG DIRECTION PARALLEL TO STUDS) AND INSTALLED FULL HEIGHT OF SHEAR WALL - OR - 2x HORIZONTAL BLOCKING SHALL BE PROVIDED TO SUPPORT ALL UNSUPPORTED PANEL EDGES & EDGE FASTENING.
- ALL EXT. WALLS SHALL BE CONTINUOUSLY SHEATHED AND ARE CONSIDERED SHEAR WALLS.
- ALT. STAPLE CONNECTION SPEC: 1 3/4" 16 GA STAPLES (1/6" CROWN) @ 3" O.C. AT EDGES & @ 6" O.C. IN FIELD.

3" O.C. EDGE NAILING

- AT DESIGNATED AREAS - FASTEN PANEL EDGES OF WOOD STRUCTURAL WALL SHEATHING TO FRAMING w/ 2 3/8" x 0.113" NAILS @ 3" O.C. AND 12" O.C. IN THE PANEL FIELD. NO STAPLE ALTERNATIVE AVAILABLE AT THIS SPEC. ALL SHEATHING PANELS SHALL BE ORIENTED VERTICALLY (LONG DIRECTION PARALLEL TO STUD) AND INSTALLED FULL HEIGHT OF SHEAR WALL - OR - 2x HORIZONTAL BLOCKING SHALL BE PROVIDED TO SUPPORT UNSUPPORTED PANEL EDGES AND 3" O.C. EDGE FASTENING.

NOTES

- SEE CONNECTION SPECIFICATIONS CHART FOR STANDARD SHEAR TRANSFER DETAILING. IF ADDITIONAL CAPACITY IS REQUIRED BY DESIGN, IT WILL BE SPECIFICALLY NOTED ON PLAN.
- DESIGN ASSUMES 16" O.C. MAX. STUD SPACINGS, UNO.
- ALL STRUCTURAL PANELS ARE TO BE DIRECTLY APPLIED TO STUD FRAMING.
- PRE-MANUFACTURED PANELIZED WALLS: FASTEN TOGETHER END STUDS OF WALL PANELS SHEATHED w/ OSB OR PLYWOOD w/ 3" x 0.120" NAILS @ 4" O.C. (THRU ONE SIDE ONLY)

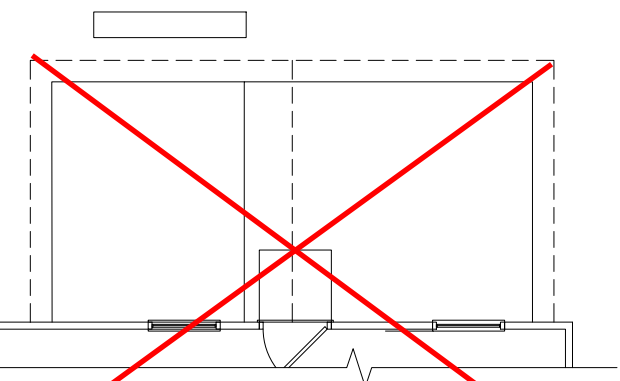
--- INDICATES EXTENT OF INT. OSB SHEARWALL, AND/OR 3" O.C. EDGE NAILING
 ► INDICATES HOLDDOWN

**Duncans
 Lot 34**

REFER TO 50.0 FOR TYPICAL STRUCTURAL NOTES & SCHEDULES
 THIS LEVEL HAS BEEN DESIGNED FOR 9'-1" PLATE HEIGHT

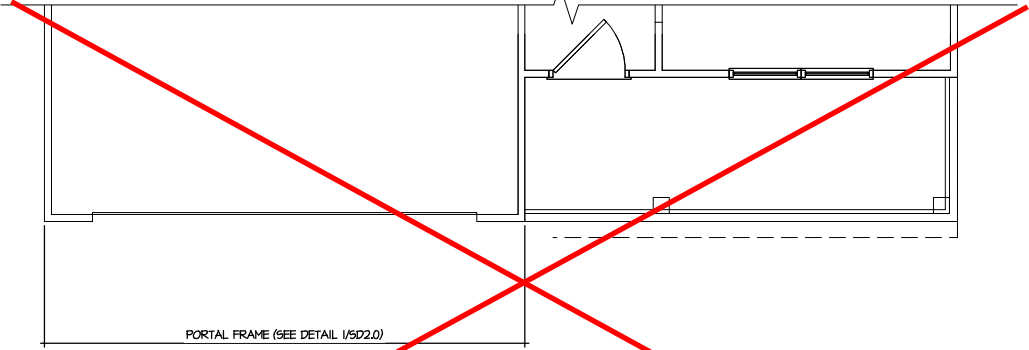
LEGEND

• R.T.	INDICATES ROOF TRUSSES @ 24" O.C. PER ROOF. MANUF. (TYP. UNO.)
• O.F.	INDICATES TRUSS OVERFRAMING @ 24" O.C. (TYP. UNO.)
• F.J.	INDICATES 14" DEEP FLOOR I-JOISTS (24" O.C. MAX SPACING). JOIST SERIES AND SPACING SHALL BE THE RESPONSIBILITY OF THE JOIST MANUFACTURER
• D.J.	INDICATES 2x8 P.T. DECK JOISTS @ 16" O.C. (MAX.)
• [TILE]	INDICATES LOCATIONS OF POTENTIAL TILE FLOOR. JOIST MANUFACTURER SHALL DESIGN FLOOR SYSTEM FOR ADD'L 10 PSF DEAD LOAD AT THESE LOCATIONS.
• [WALL]	INTERIOR BEARING WALL
• [WALL]	BEARING WALL ABOVE (B.W.A.)
• [LINE]	BEAM/HEADER
• [HANGER]	METAL HANGER
• [POST]	INDICATES POST ABOVE (P.A.) PROVIDE SOLID BLOCKING UNDER POST OR JAMB ABOVE.

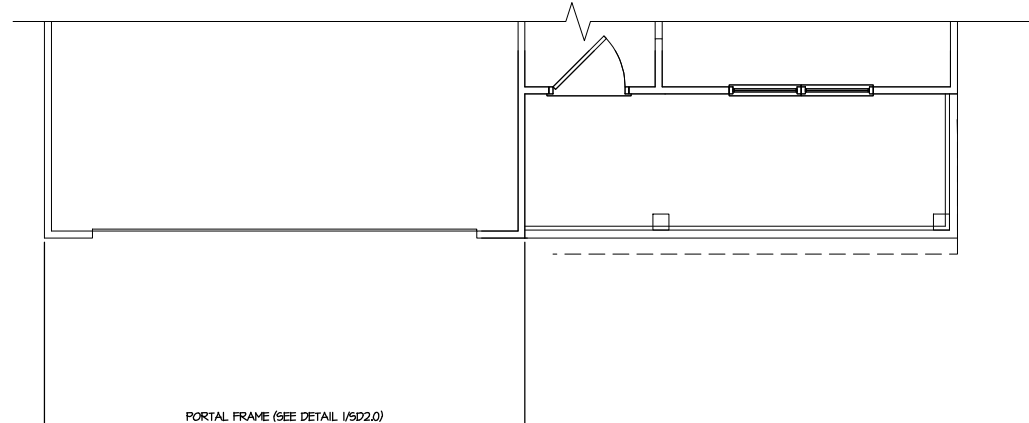


1 PARTIAL 1ST FLOOR WALL BRACING
 SCALE: 1/4"=1'-0" ON 22x34
 1/8"=1'-0" ON 11x17
 OPT. LARGE COVERED PORCH

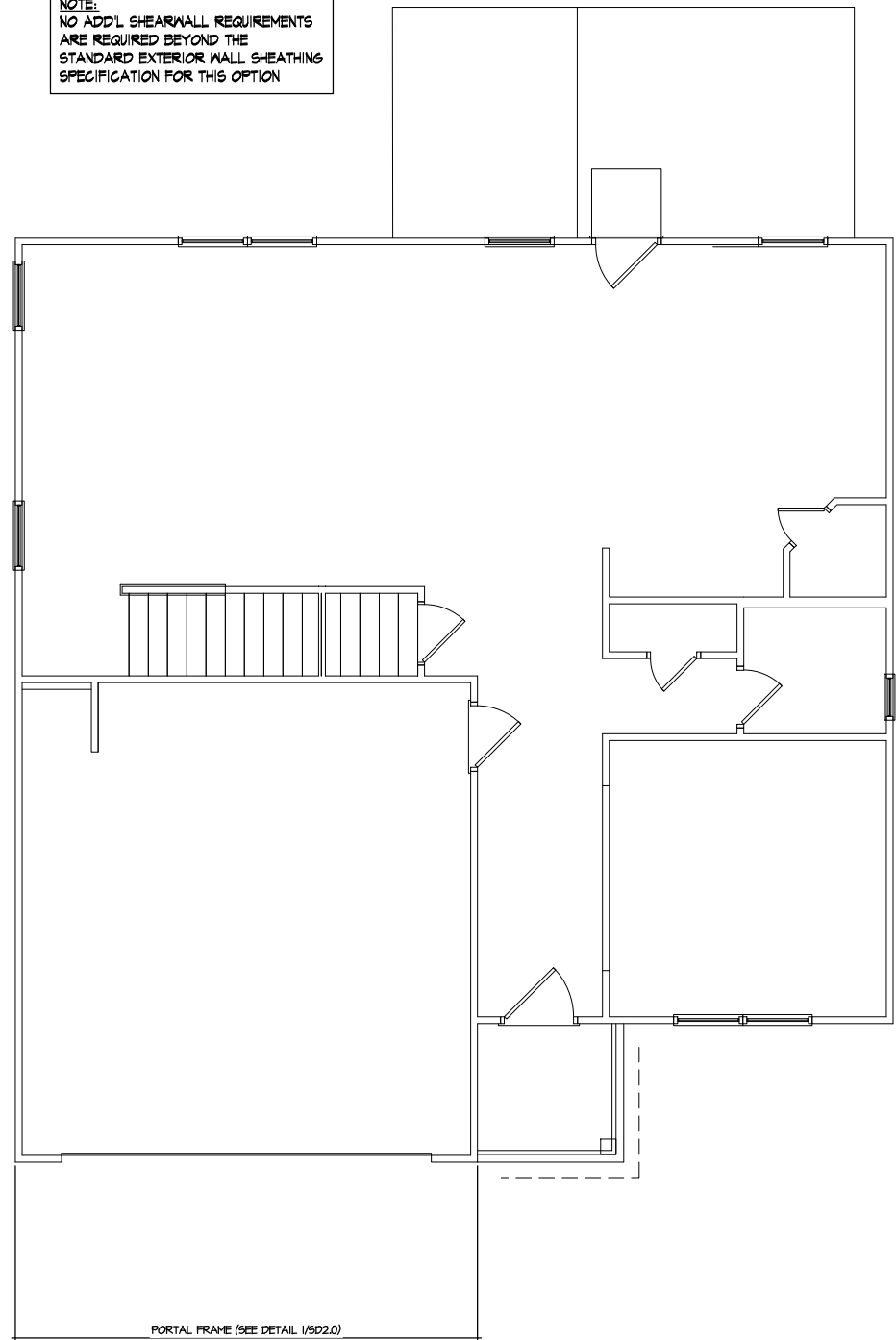
NOTE:
 NO ADD'L SHEARWALL REQUIREMENTS ARE REQUIRED BEYOND THE STANDARD EXTERIOR WALL SHEATHING SPECIFICATION FOR THIS OPTION



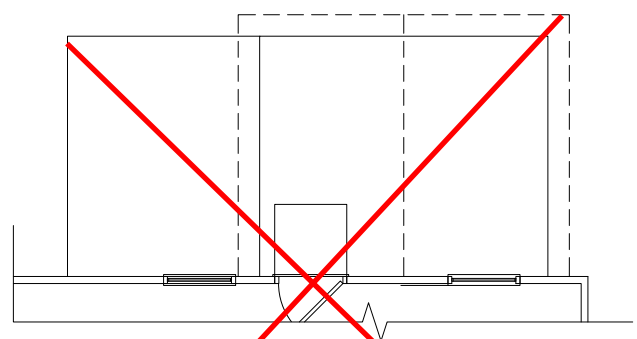
2 PARTIAL 1ST FLOOR WALL BRACING
 SCALE: 1/4"=1'-0" ON 22x34
 1/8"=1'-0" ON 11x17
 ELEV. B, E, H, & N



3 PARTIAL 1ST FLOOR WALL BRACING
 SCALE: 1/4"=1'-0" ON 22x34
 1/8"=1'-0" ON 11x17
 ELEV. C, F, & I

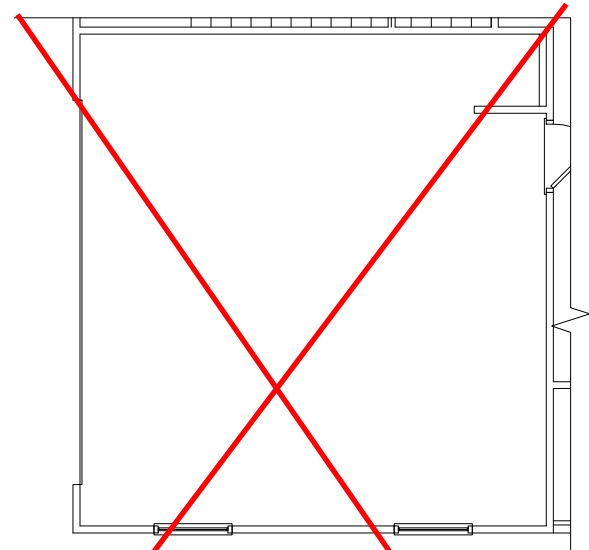


1 1ST FLOOR WALL BRACING
 SCALE: 1/4"=1'-0" ON 22x34
 1/8"=1'-0" ON 11x17
 ELEV. A, D, G, & J



4 PARTIAL 1ST FLOOR WALL BRACING
 SCALE: 1/4"=1'-0" ON 22x34
 1/8"=1'-0" ON 11x17
 OPT. COVERED PORCH

NOTE:
 NO ADD'L SHEARWALL REQUIREMENTS ARE REQUIRED BEYOND THE STANDARD EXTERIOR WALL SHEATHING SPECIFICATION FOR THIS OPTION



6 PARTIAL 1ST FLOOR WALL BRACING
 SCALE: 1/4"=1'-0" ON 22x34
 1/8"=1'-0" ON 11x17
 OPT. SIDE ENTRY GARAGE

NOTE:
 NO ADD'L SHEARWALL REQUIREMENTS ARE REQUIRED BEYOND THE STANDARD EXTERIOR WALL SHEATHING SPECIFICATION FOR THIS OPTION



Mulhern+Kulp project number:
 256-21009
 project mgr: SMK
 drawn by: MJF
 issue date: 10-26-2021

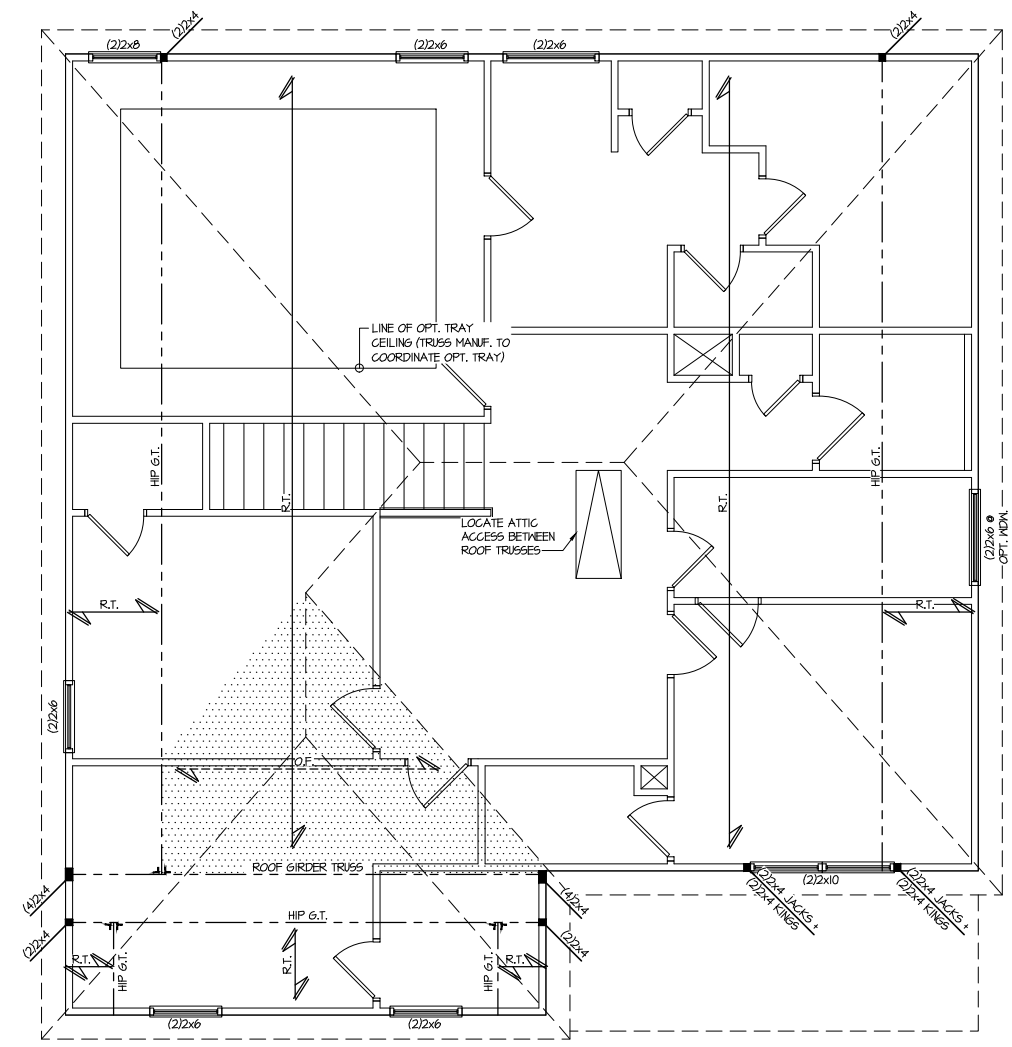
REVISIONS:
 date: 11/22/21 initial: JPP
 REVISIONS ADDED

SMITH DOUGLAS
 HOMES

Duncans
 Lot 34

THIS LEVEL HAS BEEN DESIGNED FOR 9'-1" PLATE HEIGHT

REFER TO S.O.0 FOR TYPICAL STRUCTURAL NOTES & SCHEDULES



ROOF FRAMING PLAN
 SCALE: 1/4"=1'-0" ON 22x34
 1/8"=1'-0" ON 11x17
 ELEV. C, F, # 1

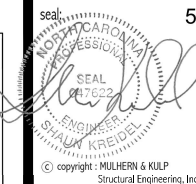
LEGEND	
	INDICATES ROOF TRUSSES @ 24" O.C. PER ROOF. MANUF. (TYP. UNO.)
	INDICATES TRUSS OVERFRAMING @ 24" O.C. (TYP. UNO.)
	INDICATES 14" DEEP FLOOR I-JOISTS (24" O.C. MAX SPACING). JOIST SERIES AND SPACING SHALL BE THE RESPONSIBILITY OF THE JOIST MANUFACTURER
	INDICATES 2x8 P.T. DECK JOISTS @ 16" O.C. (MAX)
	INDICATES LOCATIONS OF POTENTIAL TILE FLOOR. JOIST MANUFACTURER SHALL DESIGN FLOOR SYSTEM FOR ADD'L 10 PSF DEAD LOAD AT THESE LOCATIONS.
	INTERIOR BEARING WALL
	BEARING WALL ABOVE (B.W.A.)
	BEAM/HEADER
	METAL HANGER
	INDICATES POST ABOVE (P.A.) PROVIDE SOLID BLOCKING UNDER POST OR JAMB ABOVE.

ROOF FRAMING PLAN

MCGINNIS MODEL

120 MPH WIND ZONE
 NORTH CAROLINA

sheet:
S4.2M



MULHERN+KULP
RESIDENTIAL STRUCTURAL ENGINEERING
3025 Matthews Parkway, Suite 105 - Alpharetta, GA 30022
770-777-8874 - mulhern+kulp.com
NC License # C-3825

Mulhern+Kulp project number:
256-21009
project mgr: **SMK**
drawn by: **MJF**
issue date: **10-26-2021**
REVISIONS:
date: **11/22/21** initial: **JPP**
REVISIONS ADDED

SMITH DOUGLAS
HOMES

2ND FLOOR WALL BRACING PLAN
MCGINNIS MODEL
120 MPH WIND ZONE
NORTH CAROLINA

sheet:
S4.2ML

LATERAL/WALL BRACING & WALL SHEATHING SPECIFICATIONS

THIS MODEL HAS BEEN DESIGNED TO RESIST LATERAL FORCES RESULTING FROM:
120MPH WIND IN 2018 NCSBG:RC
& **120MPH WIND IN 2018 IRC**
(120 MPH WIND SPEED IN ASCE 7 WIND MAP, PER IRC R301.2.1.1) EXP. B, RISK CAT. 2 & SEISMIC CAT. A/B.

THE DESIGN WAS COMPLETED PER 2015 & 2018 IBC (SECTION 1604) & ASCE 7, AS PERMITTED BY R301.1.3 OF THE 2018 NCSBG:RC & 2018 IRC. IF THE PARAMETERS OF SECTION R602.12 COMPLY. ACCORDINGLY, THIS MODEL, AS DOCUMENTED AND DETAILED HEREWITHIN, IS ADEQUATE TO RESIST THE CODE REQUIRED LATERAL FORCES.

DESIGN WIND UPLIFT LOADS HAVE BEEN CALCULATED UTILIZING ASCE 7 (ACCEPTED ENGINEERING PRACTICE) AS ALLOWED PER 2018 NCSBG:RC & 2018 IRC SECTION R02.11.1.1. THIS MODEL HAS BEEN DETAILED WHERE REQUIRED & ENGINEERED TO RESIST THE WIND UPLIFT LOAD PATH PER SECTIONS R602.3.5 & R802.11.
MK STD. - MAR 2016

EXT. WALL SHEATHING SPECIFICATION

- 7/16" OSB OR 15/32" PLYWOOD:
FASTEN SHEATHING W/ 2 3/8" x 0.113" NAILS @ 6" O.C. AT EDGES & @ 12" O.C. IN THE PANEL FIELD. (TYP. U.N.O.)
- ALL SHEATHING PANELS SHALL BE ORIENTED VERTICALLY (LONG DIRECTION PARALLEL TO STUDS) AND INSTALLED FULL HEIGHT OF SHEAR WALL - OR - 2x HORIZONTAL BLOCKING SHALL BE PROVIDED TO SUPPORT ALL UNSUPPORTED PANEL EDGES & EDGE FASTENING.
- ALL EXT. WALLS SHALL BE CONTINUOUSLY SHEATHED AND ARE CONSIDERED SHEAR WALLS.
- ALT. STAPLE CONNECTION SPEC: 1 3/4" 16 GA STAPLES (1/6" CROWN) @ 3" O.C. AT EDGES & @ 6" O.C. IN FIELD.

3" O.C. EDGE NAILING

- AT DESIGNATED AREAS - FASTEN PANEL EDGES OF WOOD STRUCTURAL WALL SHEATHING TO FRAMING W/ 2 3/8" x 0.113" NAILS @ 3" O.C. AND 12" O.C. IN THE PANEL FIELD. NO STAPLE ALTERNATIVE AVAILABLE AT THIS SPEC. ALL SHEATHING PANELS SHALL BE ORIENTED VERTICALLY (LONG DIRECTION PARALLEL TO STUD) AND INSTALLED FULL HEIGHT OF SHEAR WALL - OR - 2x HORIZONTAL BLOCKING SHALL BE PROVIDED TO SUPPORT UNSUPPORTED PANEL EDGES AND 3" O.C. EDGE FASTENING.

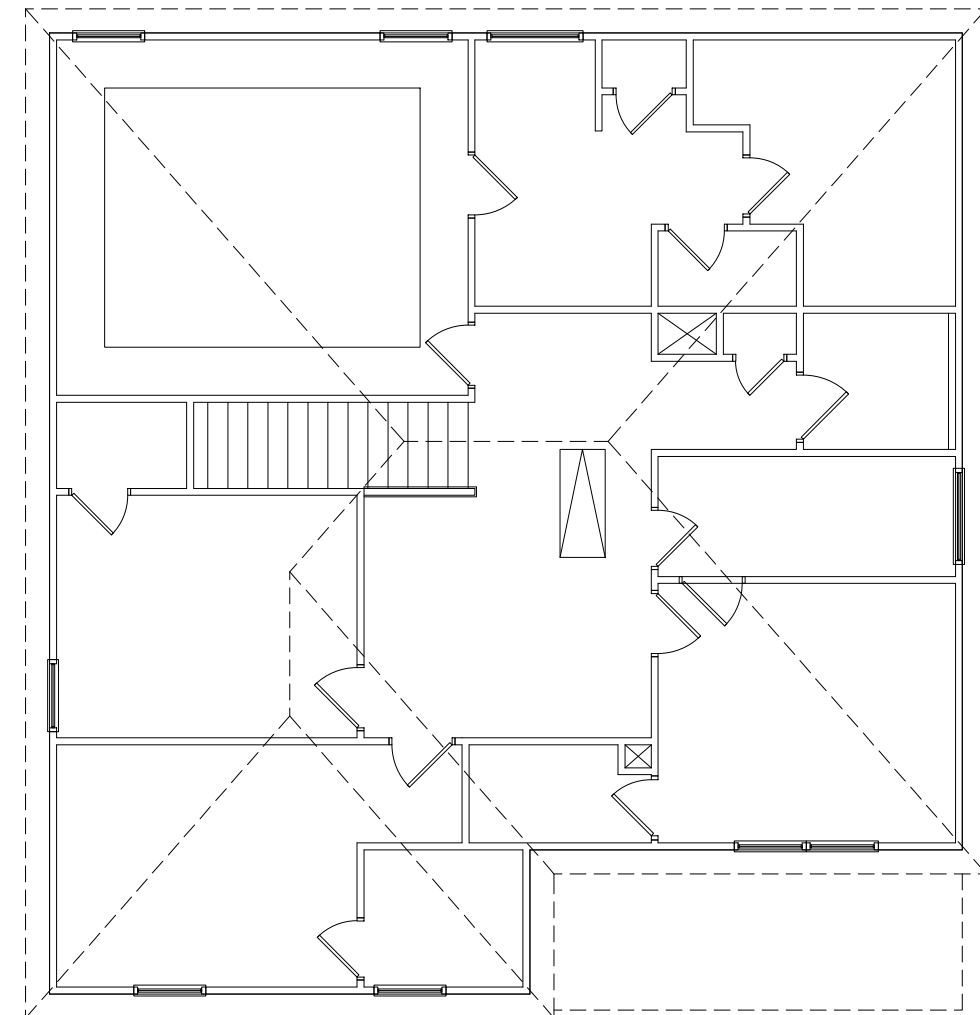
NOTES

- SEE CONNECTION SPECIFICATIONS CHART FOR STANDARD SHEAR TRANSFER DETAILING. IF ADDITIONAL CAPACITY IS REQUIRED BY DESIGN, IT WILL BE SPECIFICALLY NOTED ON PLAN.
- DESIGN ASSUMES 16" O.C. MAX. STUD SPACING, U.N.O.
- ALL STRUCTURAL PANELS ARE TO BE DIRECTLY APPLIED TO STUD FRAMING.
- PRE-MANUFACTURED PANELIZED WALLS: FASTEN TOGETHER END STUDS OF WALL PANELS SHEATHED W/ OSB OR PLYWOOD W/ 3" x 0.120" NAILS @ 4" O.C. (THRU ONE SIDE ONLY)

--- INDICATES EXTENT OF INT. OSB SHEARWALL, AND/OR 3" O.C. EDGE NAILING

▶ INDICATES HOLDDOWN

MK STD. - MAR 2016



NOTE:
NO ADD'L SHEARWALL REQUIREMENTS ARE REQUIRED BEYOND THE STANDARD EXTERIOR WALL SHEATHING SPECIFICATION FOR THIS ELEVATION

2ND FLOOR WALL BRACING PLAN
SCALE: 1/4"=1'-0" ON 22x34
1/8"=1'-0" ON 11x17
ELEV. C, F, & I

**Duncans
Lot 34**

THIS LEVEL HAS BEEN DESIGNED FOR 9'-1" PLATE HEIGHT

REFER TO S0.0 FOR TYPICAL STRUCTURAL NOTES & SCHEDULES

LEGEND	
• R.T. ↗	INDICATES ROOF TRUSSES @ 24" O.C. PER ROOF. MANUF. (TYP. U.N.O.)
• O.F. ↗	INDICATES TRUSS OVERFRAMING @ 24" O.C. (TYP. U.N.O.)
• F.J. ↗	INDICATES 14" DEEP FLOOR I-JOISTS (24" O.C. MAX SPACING). JOIST SERIES AND SPACING SHALL BE THE RESPONSIBILITY OF THE JOIST MANUFACTURER
• D.J. ↗	INDICATES 2x8 P.T. DECK JOISTS @ 16" O.C. (MAX)
• [TILE]	INDICATES LOCATIONS OF POTENTIAL TILE FLOOR. JOIST MANUFACTURER SHALL DESIGN FLOOR SYSTEM FOR ADD'L 10 PSF DEAD LOAD AT THESE LOCATIONS.
• [Hatched]	INTERIOR BEARING WALL
• [Dashed]	BEARING WALL ABOVE (B.W.A.)
• [Line]	BEAM/HEADER
• JL	METAL HANGER
• *	INDICATES POST ABOVE (P.A.) PROVIDE SOLID BLOCKING UNDER POST OR JAMB ABOVE.

Mulhern+Kulp project number:
256-21009
 project mgr: **SMK**
 drawn by: **MJF**
 issue date: **10-26-2021**

REVISIONS:
 date: initial:
 1/22/21 JPP
 MISSED PLANS ADDED

SMITH DOUGLAS
 HOMES

**Duncans
 Lot 34**

REFER TO 50.0 FOR TYPICAL
 STRUCTURAL NOTES & SCHEDULES

THIS LEVEL HAS BEEN DESIGNED
 FOR 9'-1" PLATE HEIGHT

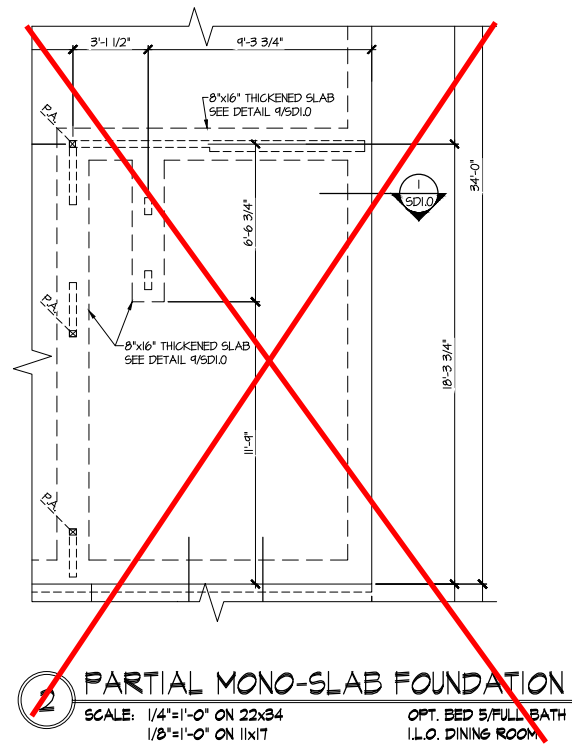
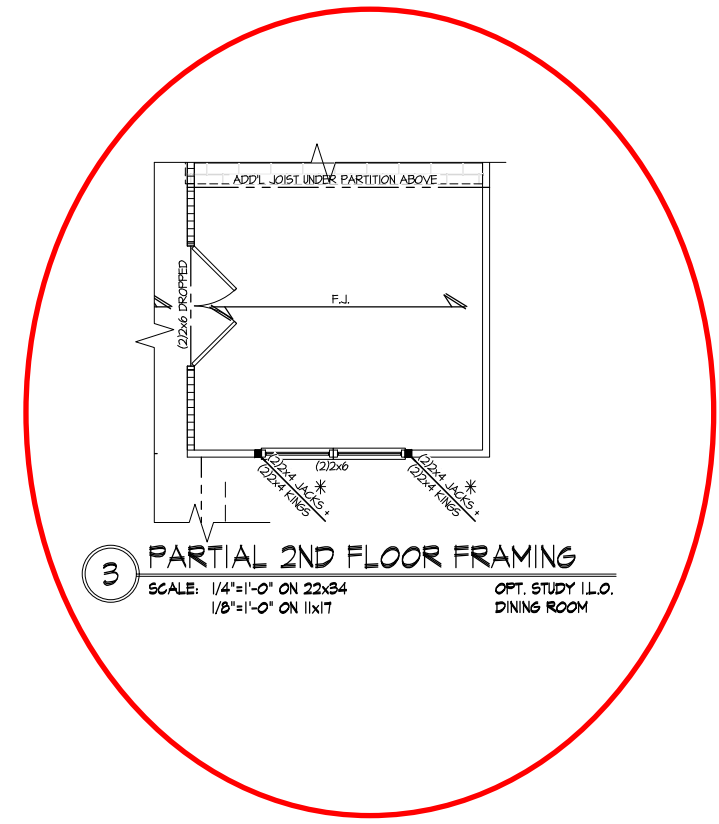
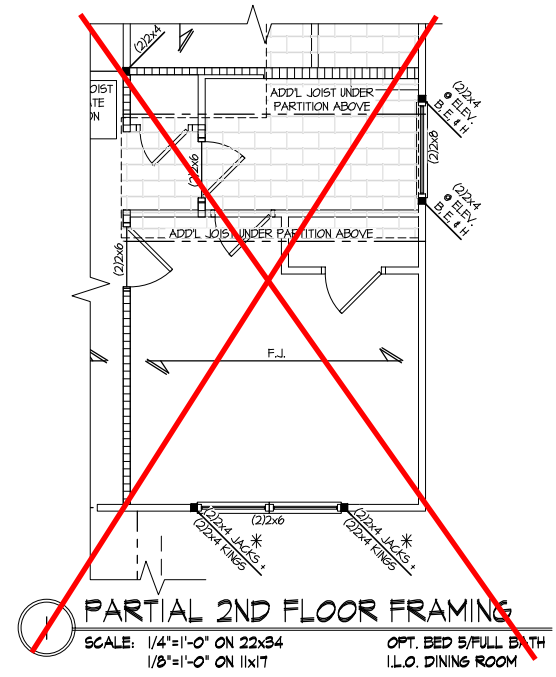
OPTIONS

MCGINNIS MODEL

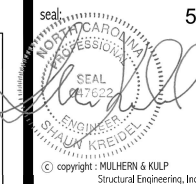
120 MPH WIND ZONE
 NORTH CAROLINA

sheet:

S5.0M



LEGEND	
	INDICATES ROOF TRUSSES @ 24" O.C. PER ROOF. MANUF. (TYP. U.N.O.)
	INDICATES TRUSS OVERFRAMING @ 24" O.C. (TYP. U.N.O.)
	INDICATES 14" DEEP FLOOR I-JOISTS (24" O.C. MAX SPACING). JOIST SERIES AND SPACING SHALL BE THE RESPONSIBILITY OF THE JOIST MANUFACTURER
	INDICATES 2x8 P.T. DECK JOISTS @ 16" O.C. (MAX)
	INDICATES LOCATIONS OF POTENTIAL TILE FLOOR. JOIST MANUFACTURER SHALL DESIGN FLOOR SYSTEM FOR ADD'L 10 PSF DEAD LOAD AT THESE LOCATIONS.
	INTERIOR BEARING WALL
	BEARING WALL ABOVE (B.W.A.)
	BEAM/HEADER
	METAL HANGER
	INDICATES POST ABOVE (P.A.) PROVIDE SOLID BLOCKING UNDER POST OR JAMB ABOVE.



MULHERN+KULP
RESIDENTIAL STRUCTURAL ENGINEERING
3025 Matthews Parkway, Suite 305 - Alpharetta, GA 30022
770-777-8974 - mulhern@mulhernkulp.com



NC License # C-3825

Mulhern+Kulp project number:
256-21009
project mgr: **SMK**
drawn by: **MJF**
issue date: **10-26-2021**

REVISIONS:
date: initial:
1/22/21 **JFP**
REVISIONS ADDED

SMITH DOUGLAS
HOMES

MCGINNIS MODEL

120 MPH WIND ZONE
NORTH CAROLINA

OPTIONS

sheet:

S5.0ML

LATERAL/WALL BRACING & WALL SHEATHING SPECIFICATIONS

THIS MODEL HAS BEEN DESIGNED TO RESIST LATERAL FORCES RESULTING FROM:
120MPH WIND IN 2018 NCSBG:RC & 120MPH WIND IN 2018 IRC
(120 MPH WIND SPEED IN ASCE 7 WIND MAP, PER IRC R301.2.1.1) EXP. B, RISK CAT. 2 & SEISMIC CAT. A/B.

THE DESIGN WAS COMPLETED PER 2015 & 2018 IBC SECTION 1604) & ASCE 7, AS PERMITTED BY R301.1.3 OF THE 2018 NCSBG:RC & 2018 IRC. IF THE PARAMETERS OF SECTION R602.12 COMPLY. ACCORDINGLY, THIS MODEL, AS DOCUMENTED AND DETAILED HEREWITHIN, IS ADEQUATE TO RESIST THE CODE REQUIRED LATERAL FORCES.

DESIGN WIND UPLIFT LOADS HAVE BEEN CALCULATED UTILIZING ASCE 7 (ACCEPTED ENGINEERING PRACTICE) AS ALLOWED PER 2018 NCSBG:RC & 2018 IRC SECTION R802.11.1.1. THIS MODEL HAS BEEN DETAILED WHERE REQUIRED & ENGINEERED TO RESIST THE WIND UPLIFT LOAD PATH PER SECTIONS R602.3.5 & R802.11.

EXT. WALL SHEATHING SPECIFICATION

- 7/16" OSB OR 15/32" PLYWOOD:
FASTEN SHEATHING w/ 2 3/8" x 0.113" NAILS @ 6" O.C. AT EDGES & @ 12" O.C. IN THE PANEL FIELD. (TYP. U.N.O.)
- ALL SHEATHING PANELS SHALL BE ORIENTED VERTICALLY (LONG DIRECTION PARALLEL TO STUDS) AND INSTALLED FULL HEIGHT OF SHEAR WALL - OR - 2x HORIZONTAL BLOCKING SHALL BE PROVIDED TO SUPPORT ALL UNSUPPORTED PANEL EDGES & EDGE FASTENING.
- ALL EXT. WALLS SHALL BE CONTINUOUSLY SHEATHED AND ARE CONSIDERED SHEAR WALLS.
- ALT. STAPLE CONNECTION SPEC: 1 3/4" 16 GA STAPLES (1/6" CROWN) @ 3" O.C. AT EDGES & @ 6" O.C. IN FIELD.

3" O.C. EDGE NAILING

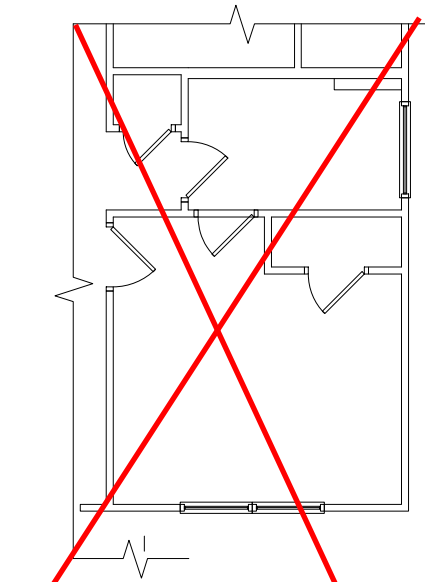
- AT DESIGNATED AREAS - FASTEN PANEL EDGES OF WOOD STRUCTURAL WALL SHEATHING TO FRAMING w/ 2 3/8" x 0.113" NAILS @ 3" O.C. AND 12" O.C. IN THE PANEL FIELD. NO STAPLE ALTERNATIVE AVAILABLE AT THIS SPEC. ALL SHEATHING PANELS SHALL BE ORIENTED VERTICALLY (LONG DIRECTION PARALLEL TO STUD) AND INSTALLED FULL HEIGHT OF SHEAR WALL - OR - 2x HORIZONTAL BLOCKING SHALL BE PROVIDED TO SUPPORT UNSUPPORTED PANEL EDGES AND 3" O.C. EDGE FASTENING.

NOTES

- SEE CONNECTION SPECIFICATIONS CHART FOR STANDARD SHEAR TRANSFER DETAILING. IF ADDITIONAL CAPACITY IS REQUIRED BY DESIGN, IT WILL BE SPECIFICALLY NOTED ON PLAN.
- DESIGN ASSUMES 16" O.C. MAX. STUD SPACING, U.N.O.
- ALL STRUCTURAL PANELS ARE TO BE DIRECTLY APPLIED TO STUD FRAMING.
- PRE-MANUFACTURED PANELIZED WALLS: FASTEN TOGETHER END STUDS OF WALL PANELS SHEATHED w/ OSB OR PLYWOOD w/ 3" x 0.120" NAILS @ 4" O.C. (THRU ONE SIDE ONLY)

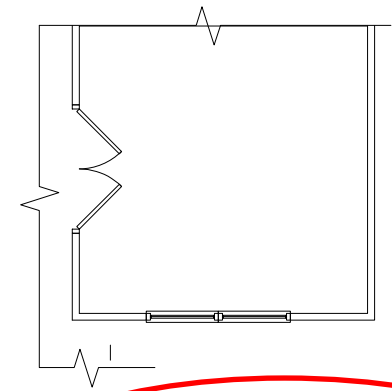
--- INDICATES EXTENT OF INT. OSB SHEARWALL, AND/OR 3" O.C. EDGE NAILING

▶ INDICATES HOLDDOWN



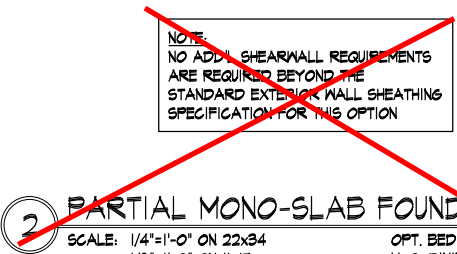
1 PARTIAL 1ST FLOOR WALL BRACING
SCALE: 1/4"=1'-0" ON 22x34
1/8"=1'-0" ON 11x17
OPT. BED 5/FULL BATH I.L.O. DINING ROOM

NOTE:
NO ADD'L SHEARWALL REQUIREMENTS ARE REQUIRED BEYOND THE STANDARD EXTERIOR WALL SHEATHING SPECIFICATION FOR THIS OPTION



2 PARTIAL 1ST FLOOR WALL BRACING
SCALE: 1/4"=1'-0" ON 22x34
1/8"=1'-0" ON 11x17
OPT. STUDY I.L.O. DINING ROOM

NOTE:
NO ADD'L SHEARWALL REQUIREMENTS ARE REQUIRED BEYOND THE STANDARD EXTERIOR WALL SHEATHING SPECIFICATION FOR THIS OPTION



2 PARTIAL MONO-SLAB FOUNDATION
SCALE: 1/4"=1'-0" ON 22x34
1/8"=1'-0" ON 11x17
OPT. BED 5/FULL BATH I.L.O. DINING ROOM

NOTE:
NO ADD'L SHEARWALL REQUIREMENTS ARE REQUIRED BEYOND THE STANDARD EXTERIOR WALL SHEATHING SPECIFICATION FOR THIS OPTION

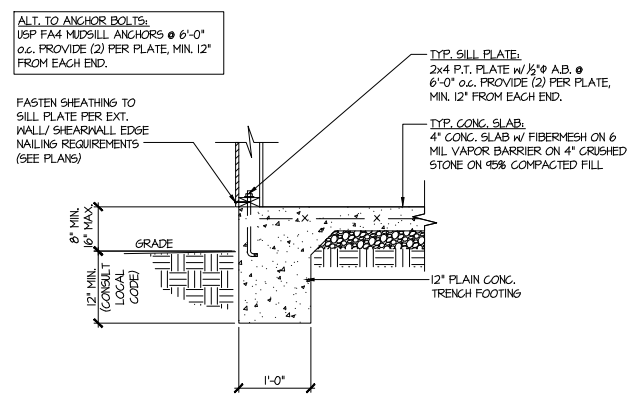
Duncans Lot 34

REFER TO S0.0 FOR TYPICAL STRUCTURAL NOTES & SCHEDULES

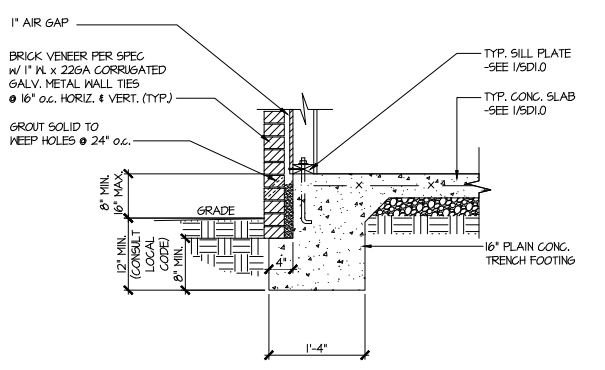
THIS LEVEL HAS BEEN DESIGNED FOR 9'-1" PLATE HEIGHT

LEGEND

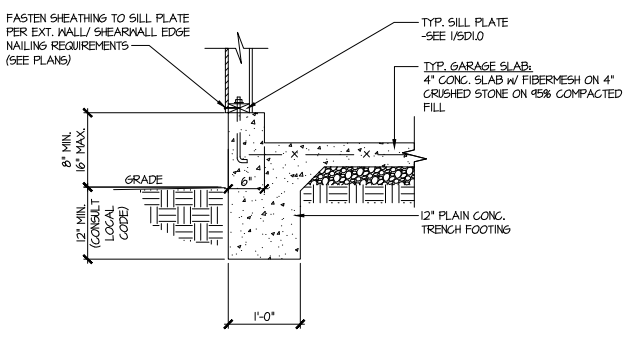
- R.T. INDICATES ROOF TRUSSES @ 24" O.C. PER ROOF. MANUF. (TYP. U.N.O.)
- O.F. INDICATES TRUSS OVERFRAMING @ 24" O.C. (TYP. U.N.O.)
- F.J. INDICATES 14" DEEP FLOOR I-JOISTS (24" O.C. MAX SPACING). JOIST SERIES AND SPACING SHALL BE THE RESPONSIBILITY OF THE JOIST MANUFACTURER
- D.J. INDICATES 2x8 P.T. DECK JOISTS @ 16" O.C. (MAX)
- INDICATES LOCATIONS OF POTENTIAL TILE FLOOR. JOIST MANUFACTURER SHALL DESIGN FLOOR SYSTEM FOR ADD'L 10 PSF DEAD LOAD AT THESE LOCATIONS.
- INTERIOR BEARING WALL
- BEARING WALL ABOVE (B.W.A.)
- BEAM/HEADER
- METAL HANGER
- INDICATES POST ABOVE (P.A.) PROVIDE SOLID BLOCKING UNDER POST OR JAMB ABOVE.



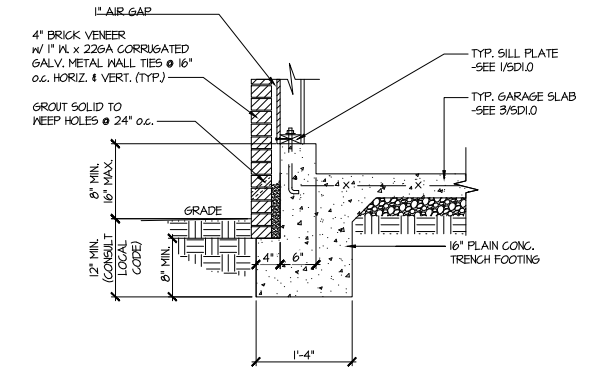
1 TYPICAL SLAB ON GRADE PERIMETER FOOTING



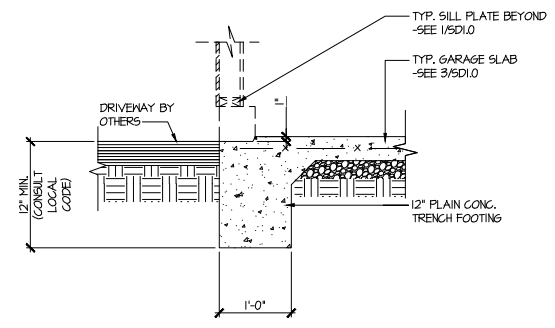
2 TYPICAL SLAB ON GRADE PERIMETER FOOTING w/ BRICK VENEER



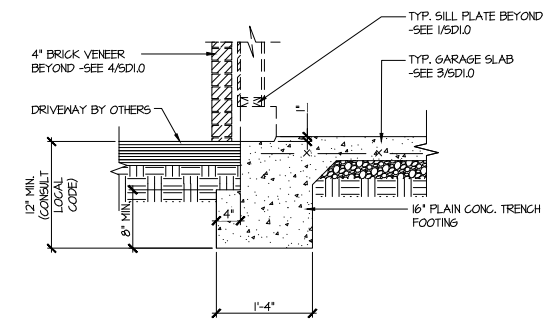
3 TYPICAL SLAB ON GRADE GARAGE PERIMETER FOOTING



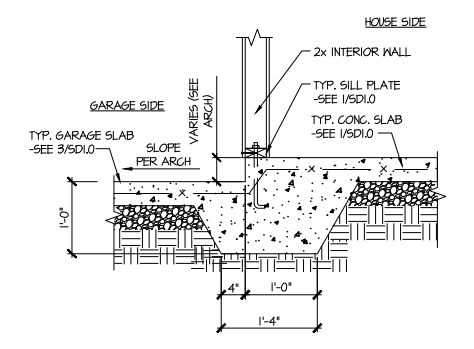
4 TYPICAL SLAB ON GRADE GARAGE PERIMETER FOOTING w/ BRICK VENEER



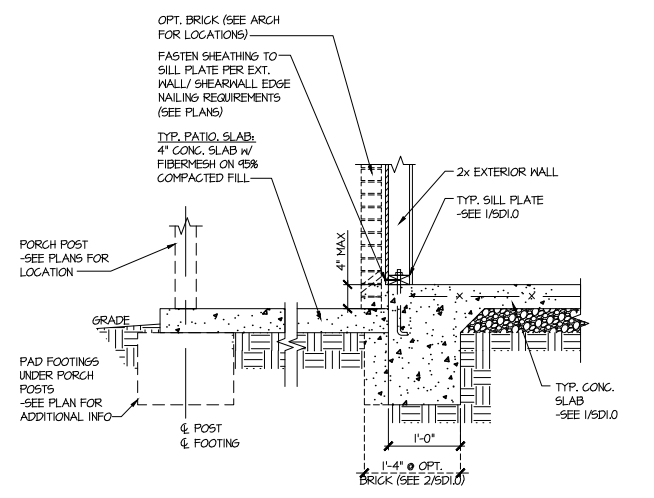
5 TYPICAL SLAB ON GRADE GARAGE ENTRY @ PERIMETER FOOTING



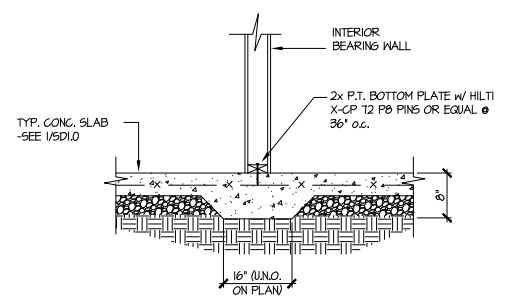
6 TYPICAL SLAB ON GRADE GARAGE ENTRY @ PERIMETER FOOTING w/ BRICK VENEER



7 TYPICAL MONOLITHIC INTERIOR GARAGE FOOTING



8 TYPICAL SLAB ON GRADE PERIMETER FOOTING @ PORCH/PATIO



9 TYPICAL THICKENED SLAB @ INTERIOR BEARING WALL

MULHERN+KULP
 RESIDENTIAL STRUCTURAL ENGINEERING
 3025 Dunwoody Parkway, Suite 105 - Alpharetta, GA 30022
 770-777-8974 - mulhern+kulp.com
 NC License # C-3825

Mulhern+Kulp project number:
 256-21009

project mgr: SMK
 drawn by: MJF
 issue date: 10-26-2021

REVISIONS:

date:	initial:
11/22/21	JPP
UNRECORDED PLANS ADDED	

SMITH DOUGLAS
 HOMES

FOUNDATION DETAILS
 MCGINNIS MODEL
 120 MPH WIND ZONE
 NORTH CAROLINA

Mulhern+Kulp project number:
256-21009

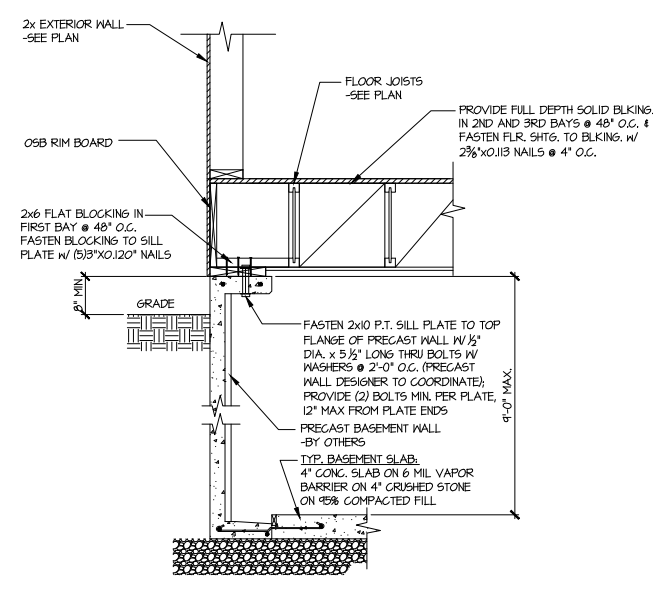
project mgr: **SMK**
 draw by: **MJF**
 issue date: **10-26-2021**

REVISIONS:

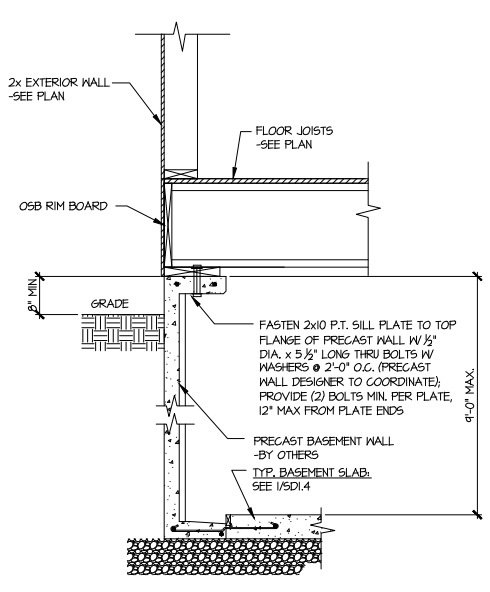
date:	initial:
11/22/21	JPP
PROPOSED PLANS ADDED	

SMITH DOUGLAS
 HOMES

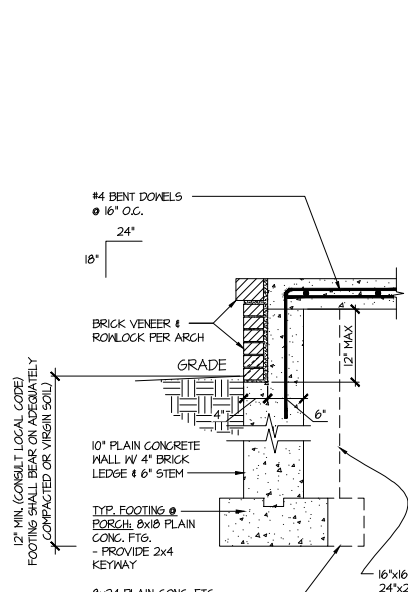
FOUNDATION DETAILS
MCGINNIS MODEL
 120 MPH WIND ZONE
 NORTH CAROLINA



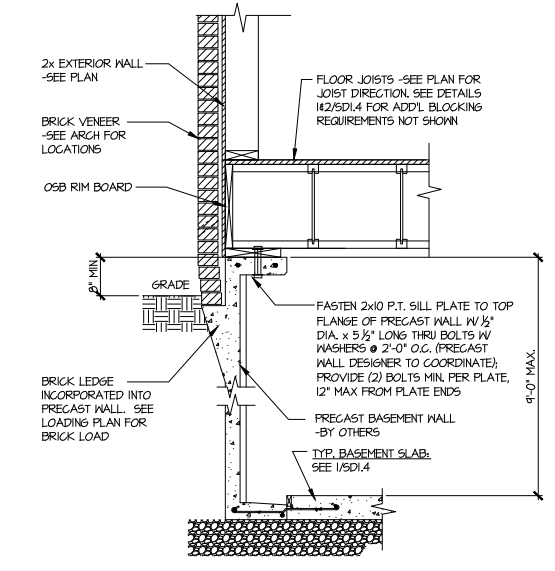
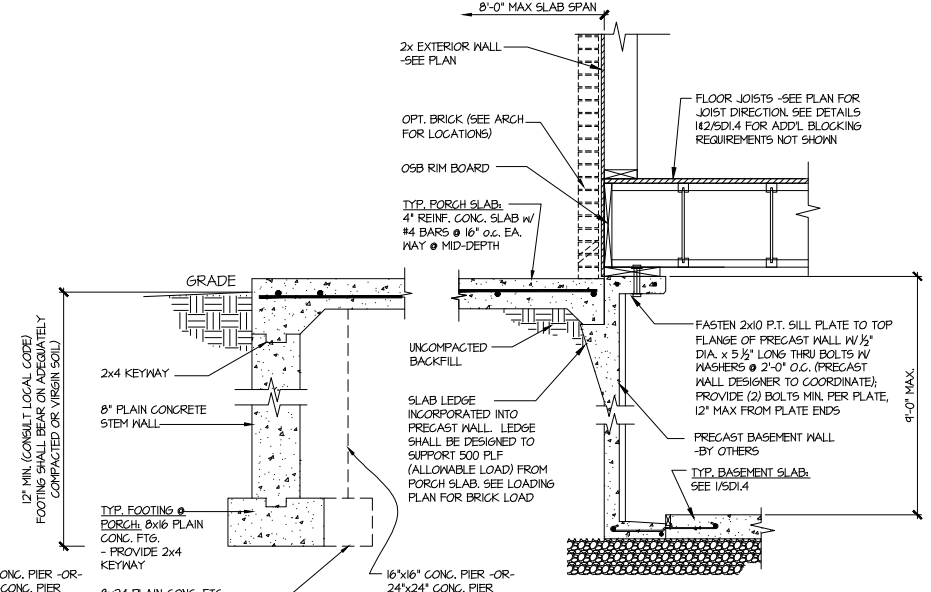
1 SECTION
 SCALE: 3/4"=1'-0"



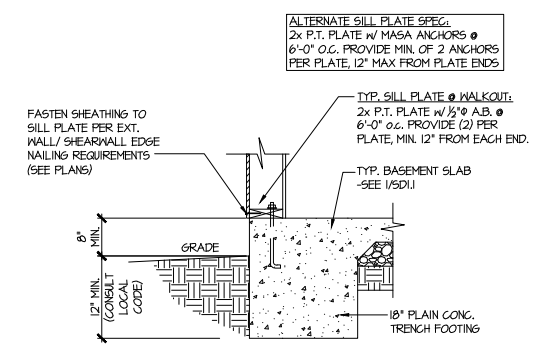
1A SECTION
 SCALE: 3/4"=1'-0"



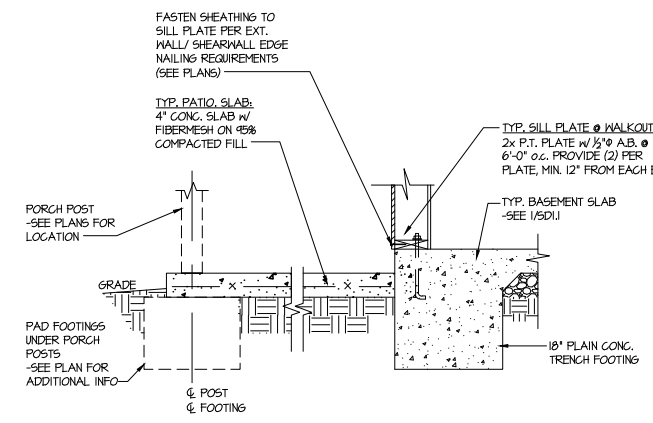
3 SECTION
 SCALE: 3/4"=1'-0"



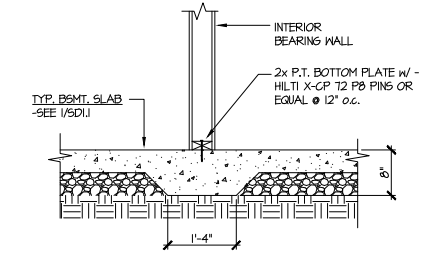
2 SECTION
 SCALE: 3/4"=1'-0"



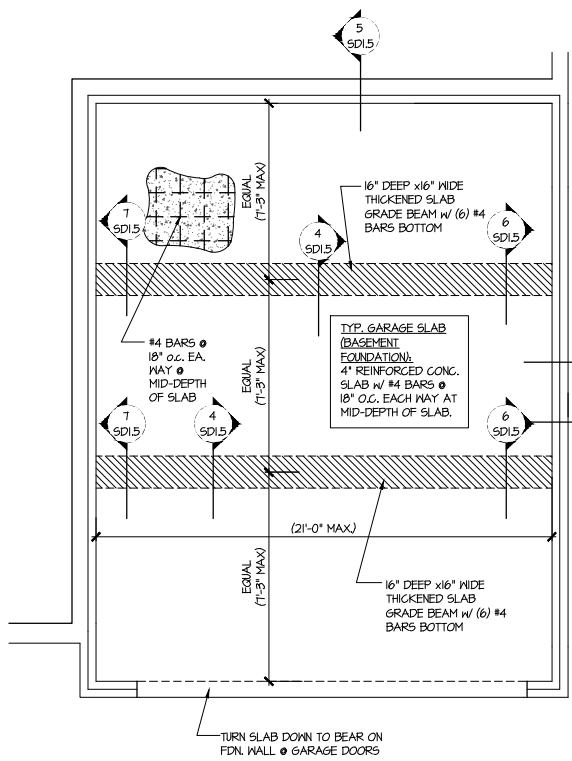
4 TYPICAL BASEMENT FOUNDATION @ WALKOUT



5 TYPICAL BASEMENT FOUNDATION @ WALKOUT



6 TYPICAL THICKENED SLAB @ INTERIOR BEARING WALL



1 GENERIC FOUNDATION PLAN KEY @ GARAGE
 SCALE: 1/4"=1'-0"

ALT. TO BOLTS:
 USP FA4 MIDSILL ANCHORS @ 6'-0"
 o.c. OR EQUIVALENT. PROVIDE (2)
 PER PLATE, MIN. 12" FROM EACH END.

4" STRIKT. GARAGE SLAB
 -SEE DETAIL 1/SD1.5

PRECAST WALL SHALL BE
 DESIGNED TO SUPPORT 400 PLF
 (ALLOWABLE LOAD) FROM
 GARAGE SLAB. SEE LOADING
 PLAN FOR ADDITIONAL LOADING
 FROM FRAMING LEVEL.

PRECAST FOUNDATION WALL BY
 OTHERS

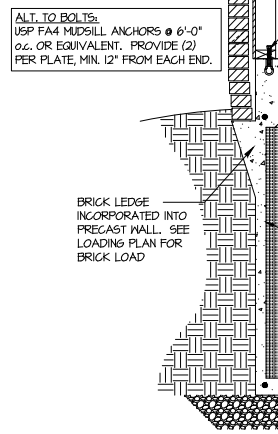
CRUSHED STONE PER PRECAST
 WALL DESIGNER

2 SD1.5 @ NON-BRICK
 3 SD1.5 @ BRICK

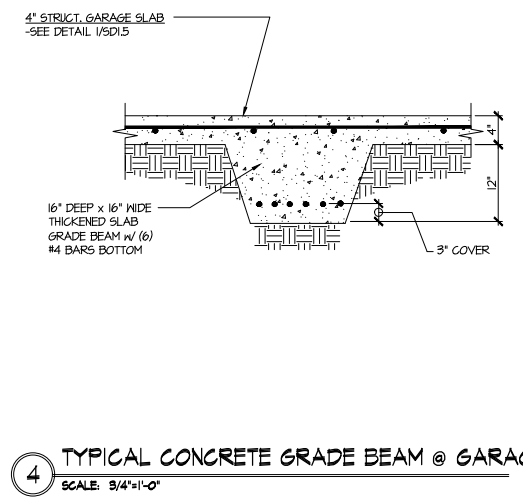
SLAB THICKNESS
 SHOWN IS MIN.
 THICKNESS REQ'D -
 SLOPE OF SLAB SHALL
 NOT COMPROMISE MIN.
 THICKNESS

SEE ARCHITECTURAL
 PLANS FOR ACTUAL
 GARAGE DIMENSIONS

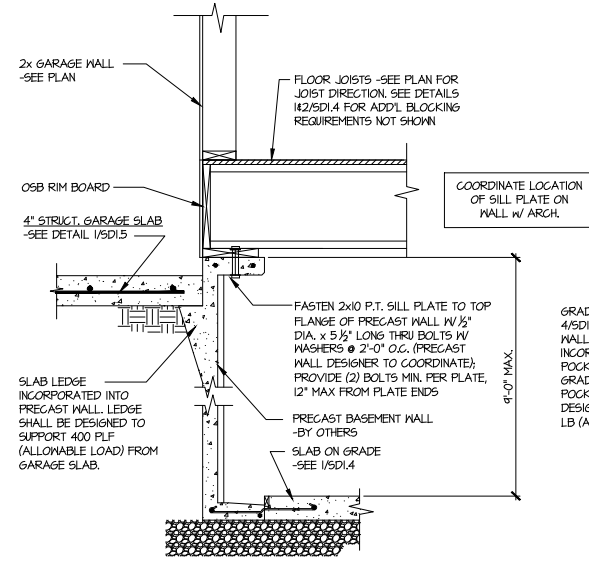
2 TYPICAL PERIMETER FOOTING @
 GARAGE - BASEMENT FOUNDATION



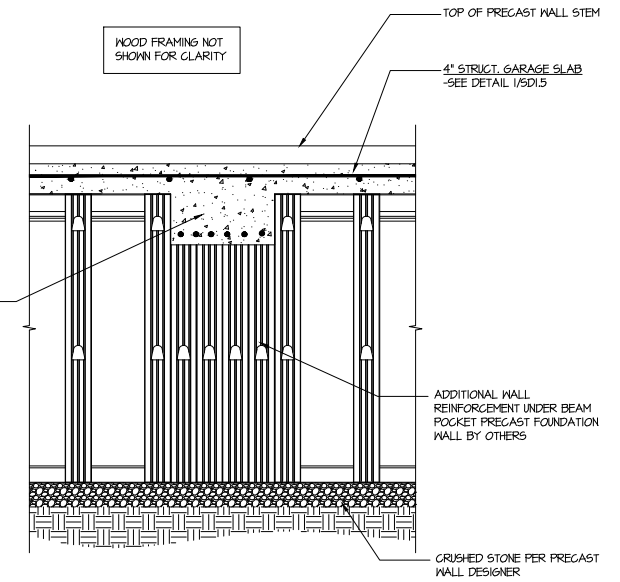
3 TYPICAL PERIMETER FOOTING @
 GARAGE - BASEMENT FOUNDATION (BRICK)



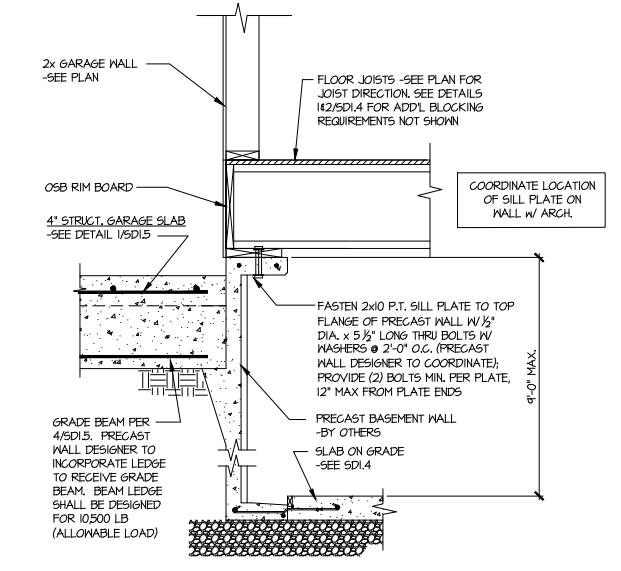
4 TYPICAL CONCRETE GRADE BEAM @ GARAGE FDN.
 SCALE: 3/4"=1'-0"



5 CONCRETE BSMT. FDN. WALL @
 GARAGE

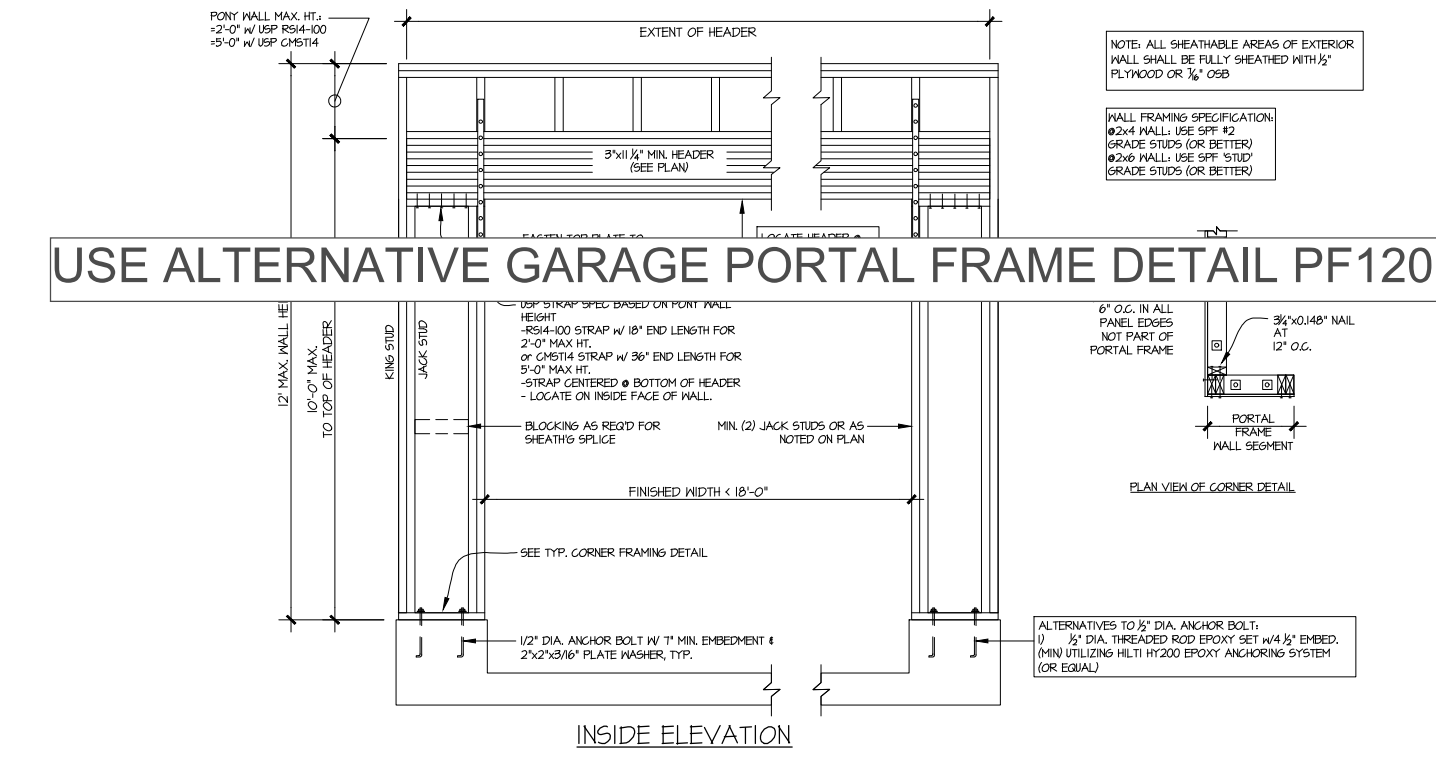
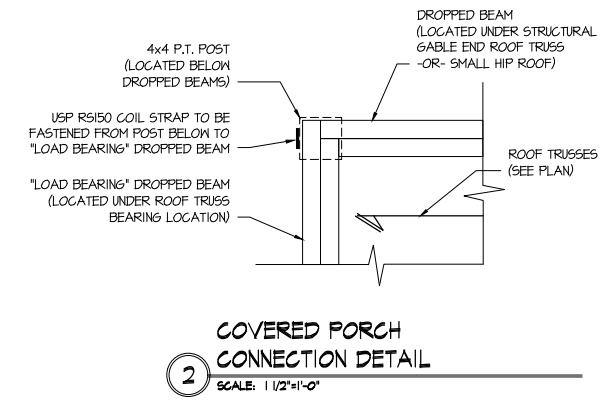
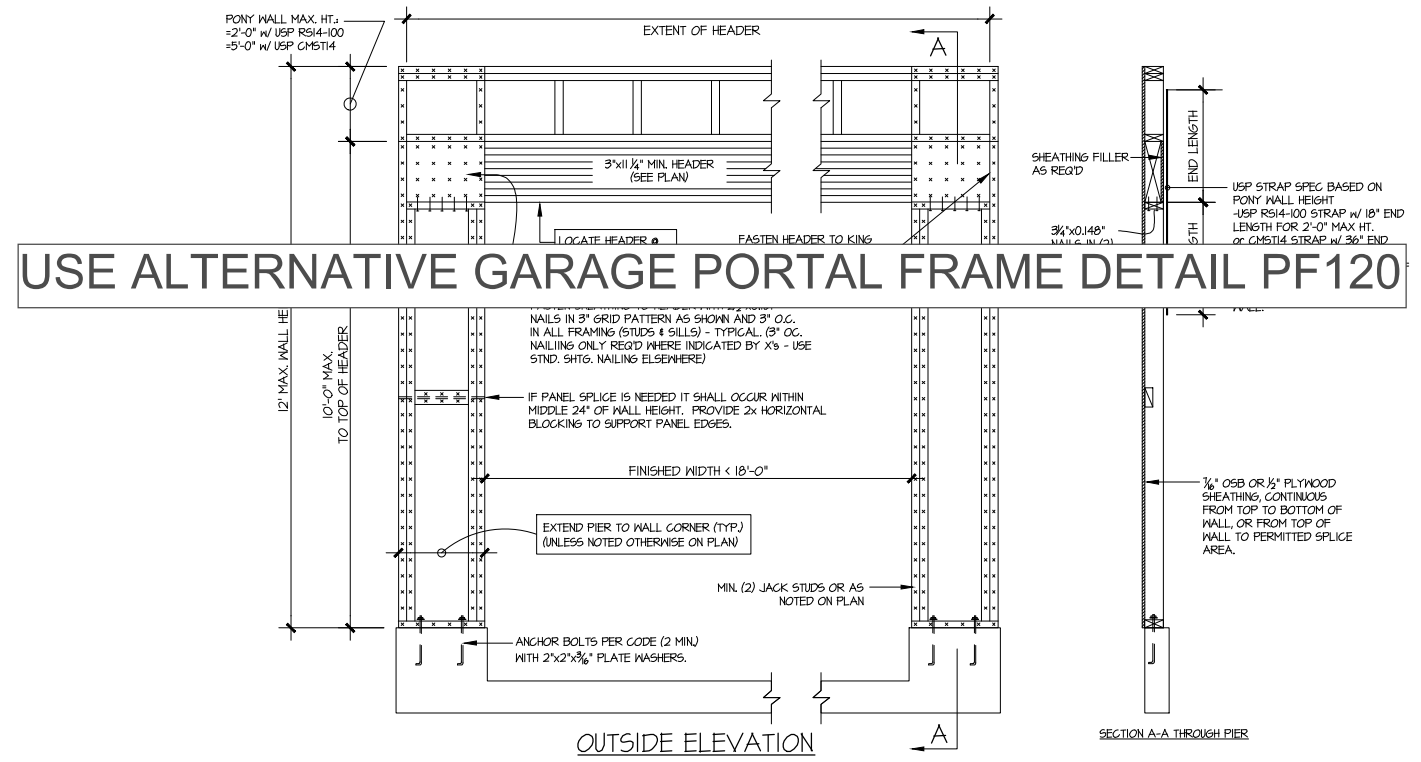


6 SECTION
 SCALE: 3/4"=1'-0"



7 SECTION
 SCALE: 3/4"=1'-0"

Duncans
 Lot 34



GARAGE PORTAL FRAME BRACING ELEVATION
 SCALE: N.T.S. BOTH SIDES OF GARAGE DOOR 115 MPH WIND SPEED (ULT)

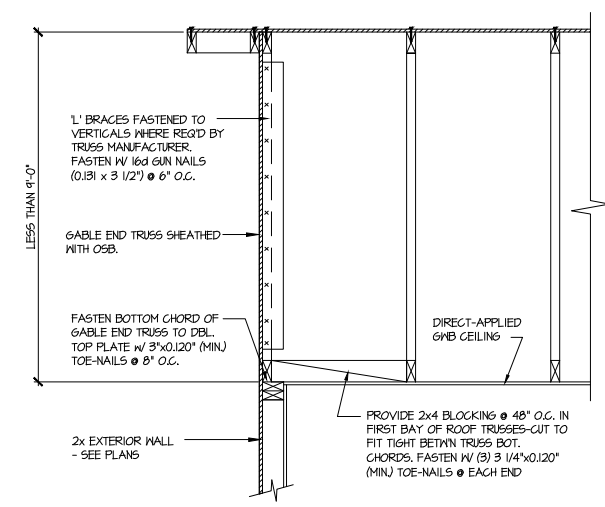
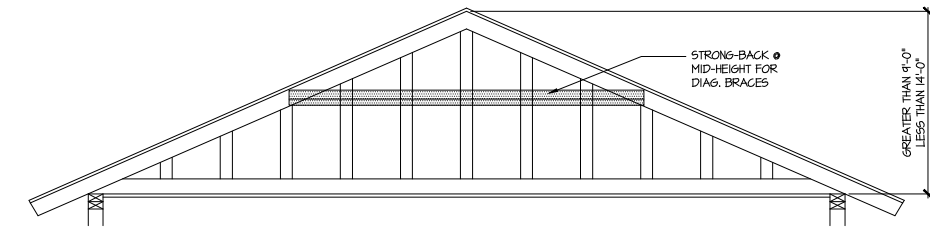
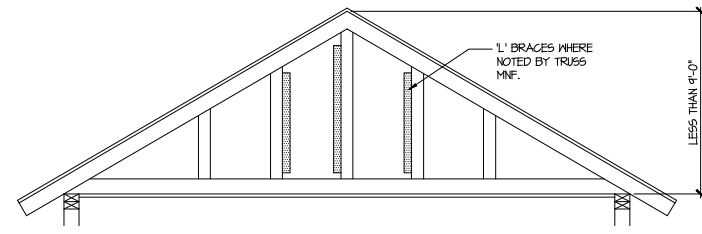
MULHERN+KULP
 RESIDENTIAL STRUCTURAL ENGINEERING
 3825 Sandhills Parkway, Suite 105 - Alpharetta, GA 30022
 770-777-8874 - mulhern+kulp.com
 NC License # C-3825

Mulhern+Kulp project number:
 256-21009
 project mgr: SMK
 drawn by: MJF
 issue date: 10-26-2021

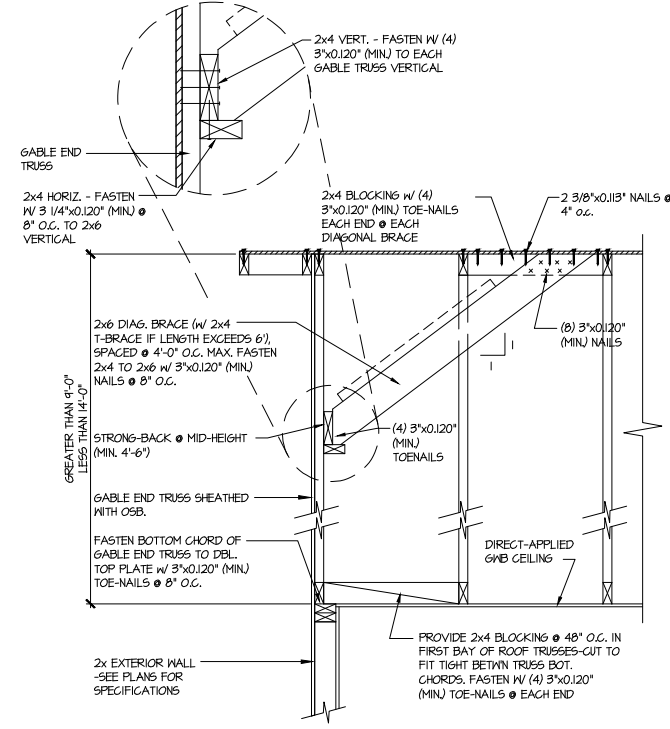
REVISIONS:
 date: initial:
 1/22/21 JPP
 REVISIONS ADDED

SMITH DOUGLAS
 HOMES

FRAMING DETAILS
 MCGINNIS MODEL
 120 MPH WIND ZONE
 NORTH CAROLINA



A TYPICAL GABLE END BRACING DETAIL
 SCALE: NONE
 REQ'D @ GABLE END TRUSS HEIGHT UP TO 9'-0"



B TYPICAL GABLE END BRACING DETAIL
 SCALE: NONE
 REQ'D @ GABLE END TRUSS HEIGHT BETWEEN 9'-0" TO 14'-0"

BRACE GABLE END TRUSSES PER ABOVE DETAIL WHEN GABLE HEIGHT IS LESS THAN 9'-0". 1" BRACES REQUIRED WHERE NOTED BY TRUSS MANUFACTURER.

BRACE GABLE END TRUSSES PER ABOVE DETAIL WHEN GABLE HEIGHT EXCEEDS 9'-0". 1" BRACES NOT REQUIRED.

LETTERED DETAILS ARE TYPICAL FOR THIS HOME & SHALL BE IMPLEMENTED IN ALL APPLICABLE AREAS. THESE DETAILS ARE NOT "CUT" ON THE PLANS.
 NUMBERED DETAILS ARE PLAN SPECIFIC AND ARE ONLY REQUIRED WHERE SPECIFICALLY INDICATED ("CUT") ON THE PLANS.

MULHERN+KULP
 RESIDENTIAL STRUCTURAL ENGINEERING
 3025 Sandhills Parkway, Suite 205 - Alpharetta, GA 30022
 770-777-8074 - mulhern+kulp.com
 NC License # C-3825

Mulhern+Kulp project number:
 256-21009
 project mgr: SMK
 drawn by: MJF
 issue date: 10-26-2021

REVISIONS:
 date: initial:
 1/22/21 JPP
 MISSED PLANS ADDED

SMITH DOUGLAS
 HOMES

FRAMING DETAILS
 MCGINNIS MODEL
 120 MPH WIND ZONE
 NORTH CAROLINA

Duncans
 Lot 34

sheet:
SD2.1



MULHERN+KULP
RESIDENTIAL STRUCTURAL ENGINEERING

3625 Brookside Parkway, Suite 165, Alpharetta, GA 30022 ▶ p 770-777-0074 ▶ mulhernkulp.com

July 28, 2023

Jody Hunt
Director of Product Development
SMITH DOUGLAS HOMES
110 Village Trail, Suite 215
Woodstock, GA 30188

ALTERNATE GARAGE PORTAL FRAME DETAIL
Smith Douglas Homes

Reference

"Alternate Garage Portal Frame Detail" on sheet PF-120 & PF-130, prepared by Mulhern & Kulp dated 07/28/2023 - attached

Jody:

Pursuant to your request, we have prepared this letter to address the "Alternate Garage Portal Frame Detail", prepared by Mulhern & Kulp for Smith Douglas Homes.

The "Alternate Garage Portal Frame Detail" on sheet "PF-120" is an acceptable alternative portal frame design for anywhere in North Carolina with a wind speed less than or equal to 120mph ultimate wind speed per ASCE 7-16. The "Alternate Garage Portal Frame Detail" on sheet "PF-130" is an acceptable alternative portal frame design for anywhere in North Carolina with a wind speed less than or equal to 130mph ultimate wind speed per ASCE 7-16. These details only apply to structural plans that have been designed by Mulhern & Kulp. It is the responsibility of "SDH" to provide the correct "Alternate Garage Portal Frame Detail", to the building department that matches the jurisdiction's wind speed requirements.

Please feel free to call if you have any questions.

Respectfully,

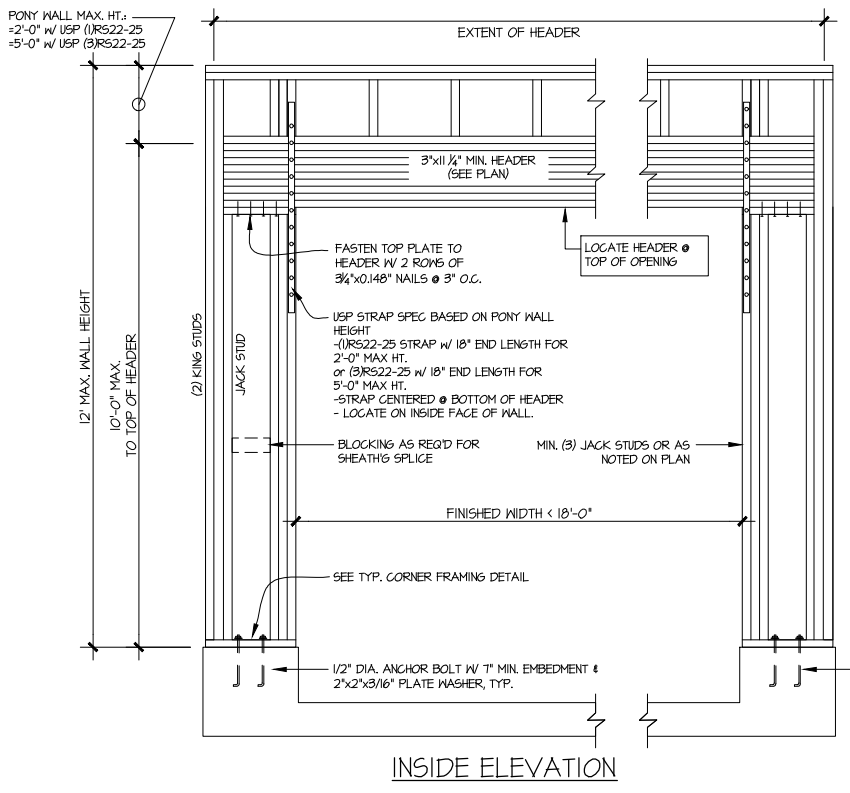
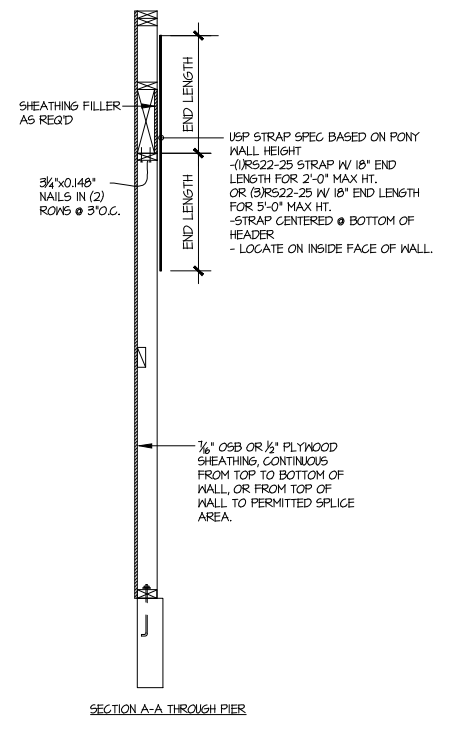
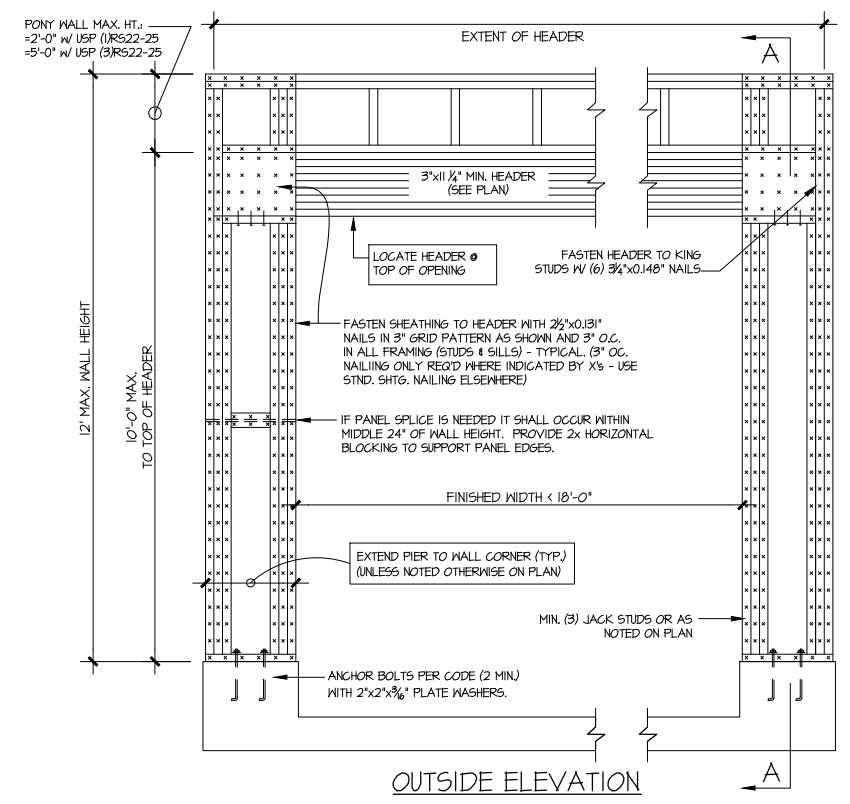
MULHERN & KULP STRUCTURAL ENGINEERING, INC.

NC License # C-3825

Shaun M. Kreidel, P.E. Project Manager + Atlanta Office Director

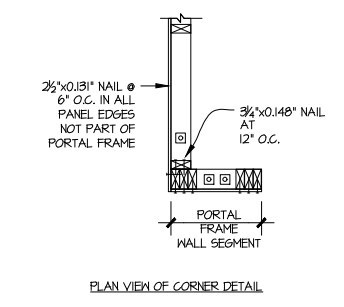
Signature + Seal 07/28/2023

REVISIONS:	
date:	initial:



NOTE: ALL SHEATHABLE AREAS OF EXTERIOR WALL SHALL BE FULLY SHEATHED WITH 1/2" PLYWOOD OR 3/8" OSB

WALL FRAMING SPECIFICATION:
 @2x4 WALL: USE SFF #2 GRADE STUDS (OR BETTER)
 @2x6 WALL: USE SFF #1UD GRADE STUDS (OR BETTER)



ALTERNATIVES TO 1/2" DIA. ANCHOR BOLT:
 1) 1/2" DIA. THREADED ROD EPOXY SET w/4 1/2" EMBED.
 (MIN) UTILIZING HILTI HY200 EPOXY ANCHORING SYSTEM (OR EQUAL)

A ALTERNATE GARAGE PORTAL FRAME BRACING ELEVATION

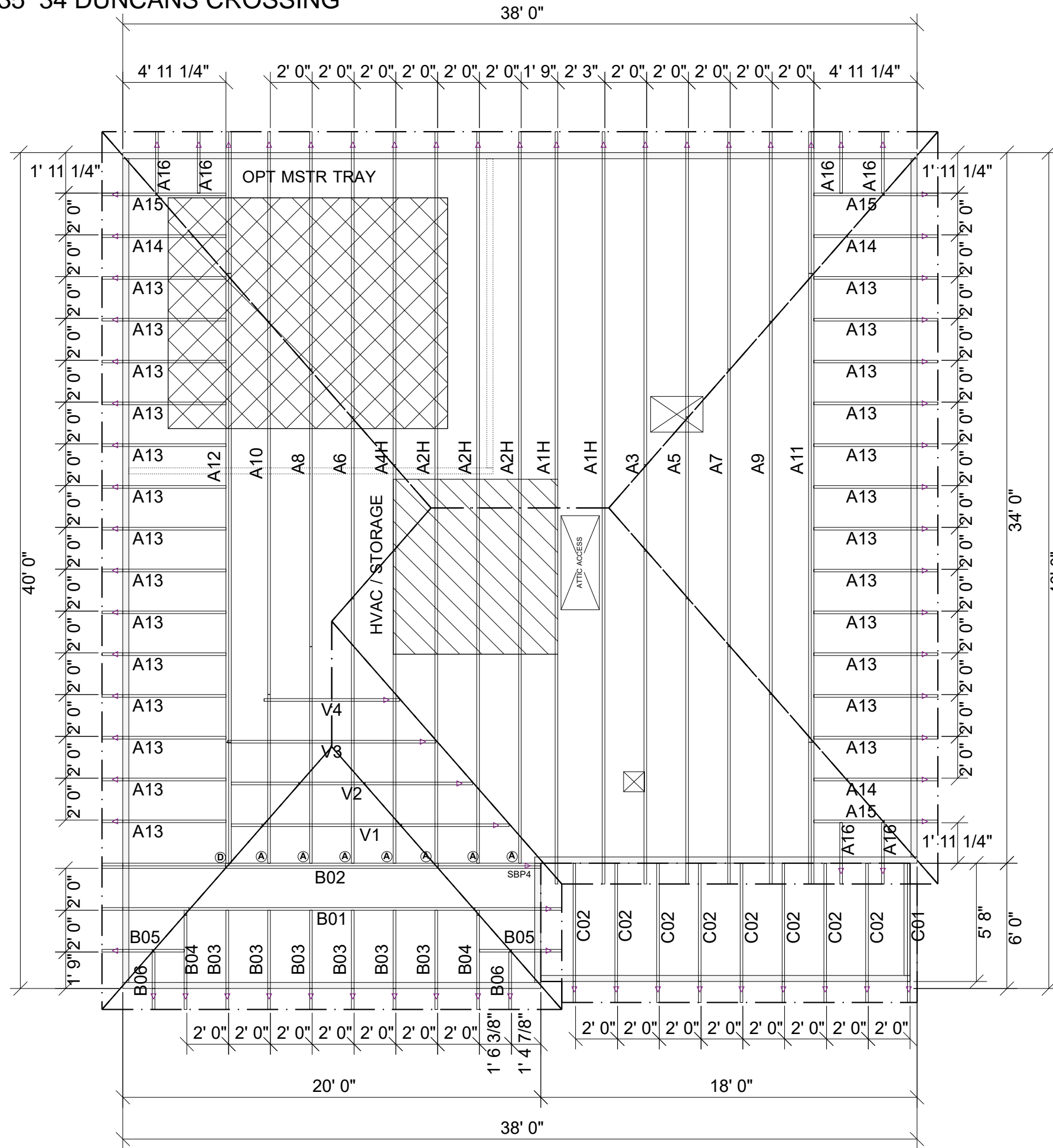
SCALE: N.T.S.

BOTH SIDES OF GARAGE DOOR
120 MPH WIND SPEED (ULT)

Duncans
Lot 34

TRUSS TO WALL CONNECTIONS, IF SHOWN, ARE FOR UPLIFT ONLY AND DO NOT CONSIDER LATERAL LOADS. ALL CONNECTORS ON THIS PROJECT ARE TO BE INSTALLED PER THE CONNECTOR MANUFACTURER'S SPECIFICATIONS. ALL CONNECTORS SHOWN THAT ARE NOT "TRUSS TO TRUSS" ARE SUGGESTIONS ONLY AND ARE TO BE VERIFIED BY THE BUILDING DESIGNER OR ENGINEER OF RECORD FOR SUITABILITY TO THIS PARTICULAR PROJECT. UFP MID-ATLANTIC, LLC. ACCEPTS NO RESPONSIBILITY FOR THE SPECIFIC APPLICATION OR SUITABILITY OF ANY CONNECTOR THAT IS NOT "TRUSS TO TRUSS" AS THEY APPLY TO THIS SPECIFIC STRUCTURE.

72329635 34 DUNCANS CROSSING



NOTES

- 2'-3" MAX SPACING FOR ATTIC ACCESS IS SHOWN. MAINTAIN 24"oc SPACING FOR 22-1/2" ACCESS.
-

Roof Hanger List			
MARK	TYPE	DESCRIPTION	QTY
(A)	HUS26	FACE MOUNT HANGER	7
(D)	THD26-2	FACE MOUNT HANGER	1
2x4	SBP4	SUPPLEMENTAL BEARING ENHANCER	2

MCGINNIS CFI

ROOF AREA: 1974.38 ft² RIDGE LINE: 14.5 ft VALLEY LINES: 18.24 HIP LINES: 122.73 △ Indicates Left End of Truss

Customer
SMITH DOUGLAS

Job Name
MCGINNIS

Date: 3/3/22
Scale: NTS
Revision Date: _____
Revision Date: _____

Drawn By: ASJNN
Checked By: ***
Drawing Number
MASTER

UFP MID-ATLANTIC, LLC
A UFP INDUSTRIES COMPANY

BURLINGTON, NC PHONE (800) 476-9356
CHESAPEAKE, VA PHONE (800) 476-3190
CLINTON, NC PHONE (810) 590-3220
CONWAY, SC PHONE (800) 397-9572
JEFFERSON, GA PHONE (800) 648-4038
LOCUST, NC PHONE (704) 888-0920
LIBERTY, NC PHONE (800) 648-4038
OOLTEWAH, TN PHONE (641) 497-0056
PEARSBURG, VA PHONE (800) 397-9571

NOTES: THIS DRAWING IS THE PROPERTY OF UFP MID-ATLANTIC, LLC AND IS NOT TO BE USED FOR ANY PURPOSE DETRIMENTAL TO THE INTEREST OF UFP MID-ATLANTIC, LLC. THIS DRAWING MUST BE USED IN CONJUNCTION WITH ALL OTHER TECHNICAL DRAWINGS SUPPLIED BY UFP MID-ATLANTIC, LLC AND "BRACING WOOD TRUSS COMMENTARY AND RECOMMENDATIONS" AS PUBLISHED BY THE TRUSS PLATE INSTITUTE FOR INDUSTRY STANDARDS IN ERECTING TRUSSES. (TFI) IS LOCATED AT 583 D'ONOFRIO DR. SUITE 200 MADISON, WI 53719 (608) 833-5900

1. TEMPORARY BRACING TO BE INSTALLED w/T.P.I. STANDARD BCS-B1.
2. SEE ENGINEERED DRAWING FOR PERMANENT BRACING MINIMUM REQUIREMENTS.
3. FRAMER TO VERIFY ALL DIMENSIONS, DROP, & RISE LOCATIONS PRIOR TO TRUSS PLACEMENT.
4. BLDRFRAMER RESPONSIBLE FOR ADJUSTMENT OF TRUSS SPACING TO MISS PLUMBING DROPS, UNLESS NOTED OTHERWISE.
5. THIS LAYOUT IS NOT AN ENGINEERED DRAWING. THIS DRAWING WAS CREATED TO ESTABLISH TRUSS PLACEMENT ONLY. IT IS THE RESPONSIBILITY OF THE BUILDER TO PROVIDE ADEQUATE SUPPORT FOR ALL THE ELEMENTS SHOWN IN THIS DRAWING.

Products					
Fab Type	Net Qty	Plies	Product	Length	PlotID
MFD	6	1	14" TJI@ 110	38' 0"	J1
MFD	2	1	14" TJI@ 110	26' 0"	J2
MFD	2	1	14" TJI@ 110	21' 0"	J3
MFD	1	1	14" TJI@ 110	19' 0"	J4
MFD	16	1	14" TJI@ 110	16' 0"	J5
MFD	4	1	14" TJI@ 110	15' 0"	J6
MFD	1	1	14" TJI@ 110	13' 0"	J7
FF	2	2	14" TJI@ 110	9' 0"	J8
MFD	2	1	14" TJI@ 110	6' 0"	J9
MFD	1	1	14" TJI@ 110	4' 0"	J10
MFD	3	1	14" TJI@ 360	20' 0"	J11
MFD	2	2	1 3/4" x 14" 2.0E Microllam® LVL	10' 0"	2B-1
FF	9	1	1 1/8" x 14" TJI® Rim Board	16' 0"	RIM-1
FF	4	1	14" Kneewall	12' 0"	RIM-2
MFD	12	1	14" TJI@ 110	2' 0"	Bk1

Connector Summary			
Product	Manuf	Qty	PlotID
IHFL1714	MiTek	5	H1
TFL1714	MiTek	7	H2

PLAN LEGEND

*INDICATES BEAM ABOVE TOP PLATE (FLUSH WITH FLOOR SYSTEM)

INDICATES BEAM BELOW TOP PLATE (DROPPED BELOW FLOOR SYSTEM)

*BEAMS MAY PROTRUDE ABOVE OR BELOW DECKING OR TOP PLATE RESPECTIVELY, REFER TO DETAIL IF BEAM IS A DIFFERENT DEPTH THAN FLOOR SYSTEM

SINGLE PLY BEAM (ADD LINE FOR EACH ADDITIONAL PLY)

SHIFT JOIST TO MISS PLUMBING, ALIGN W/WALL OR SUPPORT FURNITURE

A JOIST ADDED TO THE LAYOUT IN ADDITION TO THE ON CENTER JOISTS

TWO JOISTS SIDE BY SIDE (ONLY ASSEMBLED IF NOTED)

1B-, 2B-, H-, 1H-, GDH-

SHIFT

EXTRA

DOUBLE

FIELD TRIM NON RED END TO KEEP HOLES ALIGNED
CONTAR EL LADO DE SIN MARCA ROJA PARA HOYOS ALINEADOS

FIELD LOCATE PLUMBING DROPS/CAN LIGHTS, ETC... PRIOR TO JOIST SECUREMENT TO AVOID INTERFERENCE.

LAYOUT FOR 19.2" O/C

9= 172-13/16"	1= 19-3/16"
10= 192"	2= 38-3/8"
11= 211-3/16"	3= 57-5/8"
12= 230-3/8"	4= 76-13/16"
13= 249-13/16"	5= 96"
14= 268-13/16"	6= 115-3/16"
15= 288"	7= 134-3/8"
	8= 153-5/8"

FIELD VERIFY DIMENSIONS TO JOISTS LOCATED UNDER WALLS!!

2ND FLOOR LAYOUT

- GENERAL NOTES:**
- 1.) TOP CHORD OF JOISTS ARE PAINTED RED AT NUMBERED END. PLACE PAINTED END AS NOTED ON PLAN.
 - 2.) FOLLOW SPECIAL SPACING AND LOCATION DIMENSIONS FOR EXTRAS OR SHIFTED JOISTS AS SHOWN ON PLAN.
 - 3.) ALL INTERIOR WALL PLATES MUST BE LEVEL WITH OUTSIDE WALL TOP PLATES.
 - 4.) DO NOT STACK CONSTRUCTION LOADS ON UN-BRACED JOISTS.
 - 5.) PROVIDE SOLID SUPPORT BELOW ALL BEAM AND HEADER BEARING POINTS IN WALL AND JOIST SPACES CONTINUOUS DOWN TO THE FOUNDATION.
 - 6.) LOCATE CRIPPLE STUDS IN JOIST SPACE DIRECTLY BELOW HEADER JACKS AT ALL FIRST FLOOR EXTERIOR DOOR LOCATIONS.
 - 7.) INSTALL NAILS IN ALL HOLES PROVIDED IN JOIST HANGERS EXCEPT AT BOTTOM CHORD SEAT. PLACE A DAB OF GLUE IN THE HANGER SEAT BEFORE SETTING JOISTS.
 - 8.) IMPORTANT NOTE! NO STRUCTURAL ANALYSIS OF CONVENTIONAL HEADERS HAS BEEN CONDUCTED IF NOT NOTED. THEY ARE CONSIDERED TO BE ADEQUATE TO SUPPORT THE APPLIED LOADS.

FRAMER NOTE

DENOTES DUCT HOLE RUNS

ALL DIMENSIONS TO CENTERLINE UNLESS OTHERWISE NOTED

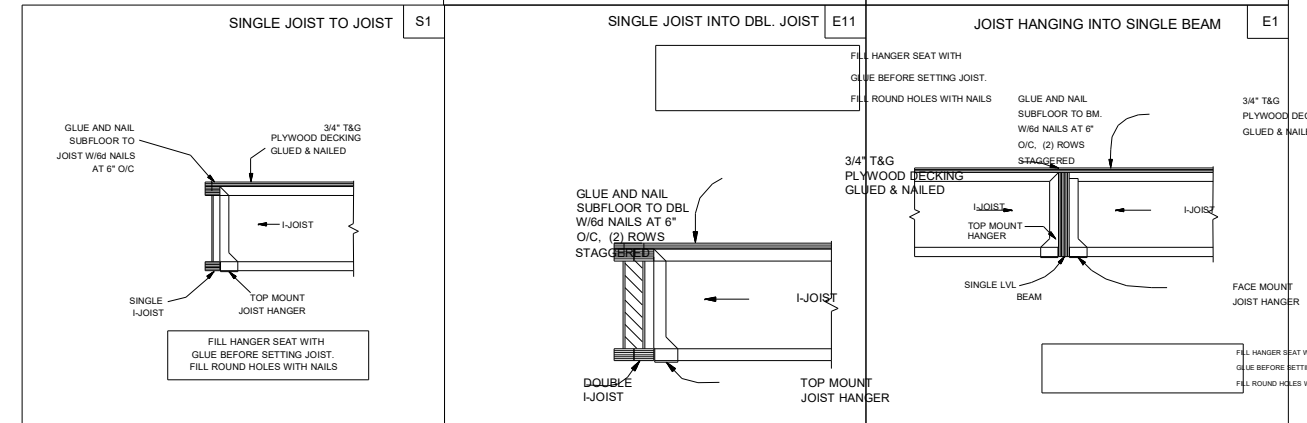
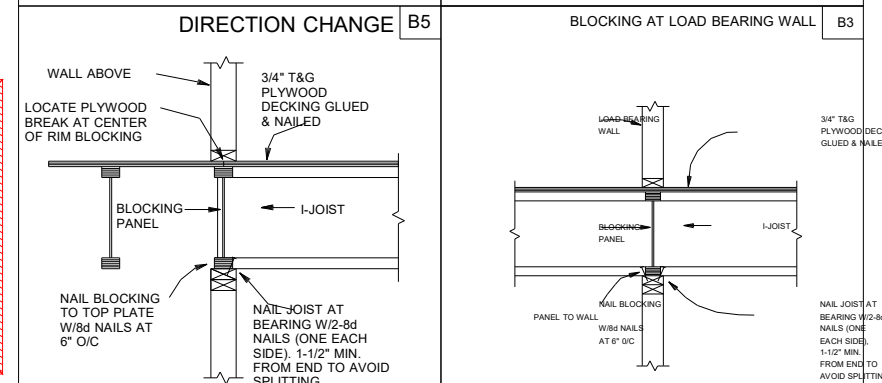
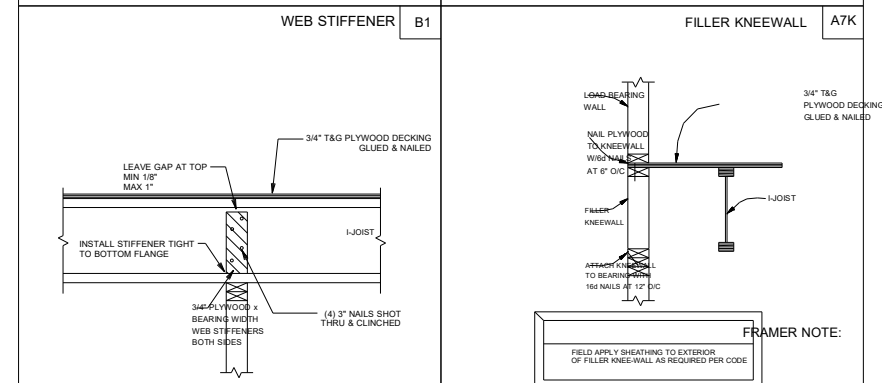
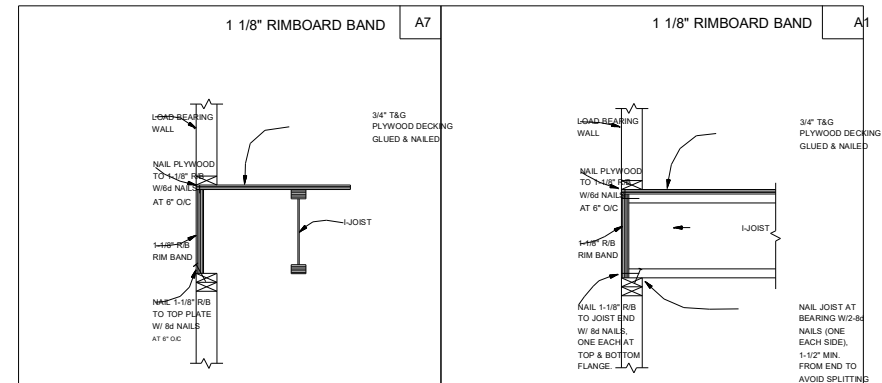
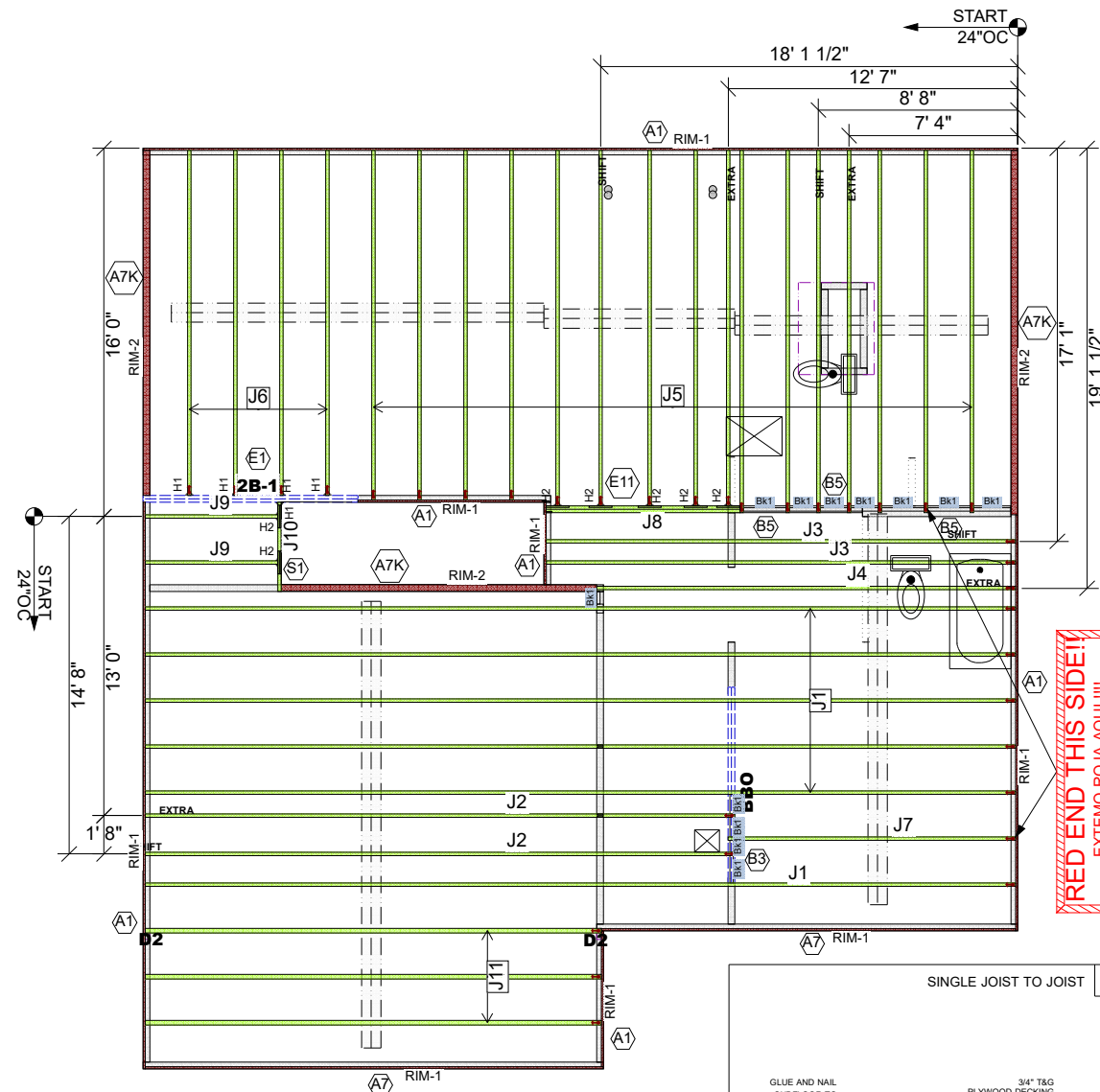
Avoid Plumbing Drops

FRAMER NOTE

1. GLUE AND NAIL PLYWOOD SUBFLOOR TO BEAMS AND GIRDERS AT 6" O/C WHERE NO WALL IS ABOVE.
2. FILL HANGER SEAT WITH GLUE BEFORE SETTING JOIST IN HANGER. FILL ROUND HOLES WITH NAILS.

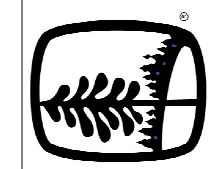
CRITICAL !!

INSTALL 2X4 SQUASH BLOCKS IN FLOOR TRUSS SPACE BELOW ALL EXTERIOR DOOR HEADER JACKS. CUT 1/16" TALLER THAN TRUSS.



This layout is not an engineered drawing. This drawing was created to establish joist placement only. It is the responsibility of the builder to provide adequate support for all the elements shown in this drawing.

UFP MID-ATLANTIC, LLC
 A UNIVERSAL FOREST PRODUCTS COMPANY
 BURLINGTON, NC PHONE (800) 476-9356
 CHESAPEAKE, VA PHONE (800) 476-3190
 CONWAY, SC PHONE (800) 397-9572
 JEFFERSONGA, GA PHONE (800) 648-4038
 PEARISBURG, VA PHONE (800) 397-9571



LOADING	DEFLECTION
ROOF LIVE 20 PSF	L/240
ROOF DEAD 20 PSF	L/180
FLOOR LIVE 40 PSF	L/480
FLOOR DEAD 10 PSF	L/240

Special Loading:

Customer: **SMITH DOUGLAS**
 Job Name: **MCGINNIS**
 Date: 10/17/21
 Scale: NTS
 Revision Date: _____
 Revision Date: _____

Quality Products for Quality Builders®

Lot #: _____

Drawn By: CP3
 Drawing Number: **21090682F2**