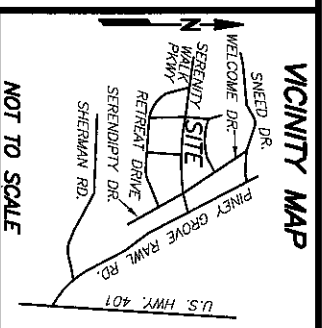


CURVE TABLE

CURVE	DELTA	RADIUS	ARC	CHORD	TANGENT	CHORD BRG
C1	33°25'36"	50.00'	29.17'	28.76'	15.01'	S 66°54'24" E
C2	76°44'40"	25.00'	33.49'	31.04'	19.80'	S 45°14'53" E

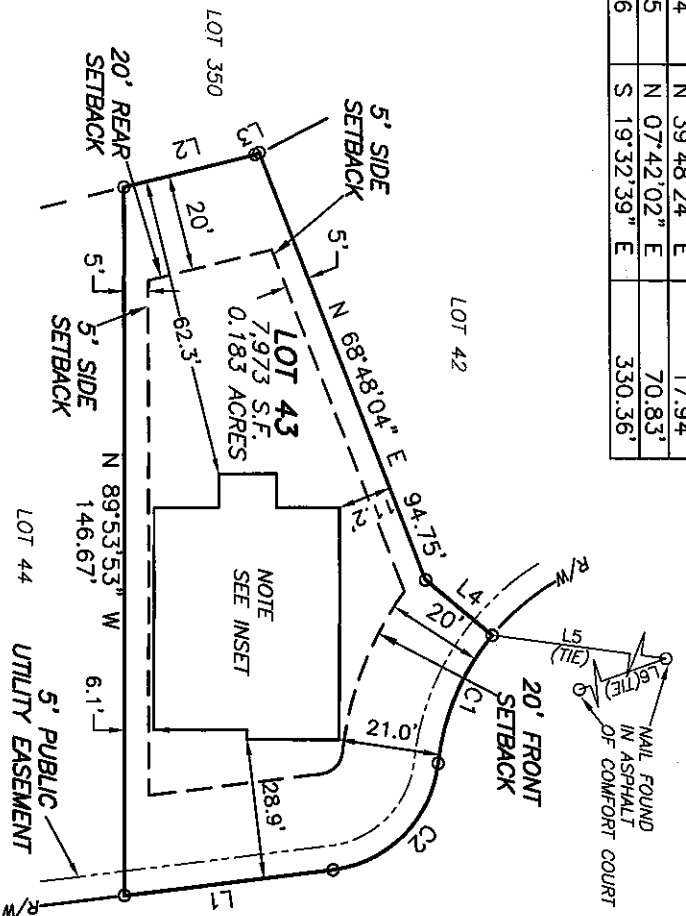
LINE TABLE

LINE	BEARING	DISTANCE
L1	S 06°52'33" E	43.72'
L2	N 13°42'31" W	29.07'
L3	N 26°07'47" W	1.00'
L4	N 39°48'24" E	17.94'
L5	N 07°42'02" E	70.83'
L6	S 19°32'39" E	330.36'



NOT TO SCALE

- REFERENCES:
 1. D.B. 3711, PG. 808
 PIN 0655-13-9843.000
 PID 08065501 0032 08
 RESTRICTIVE COVENANTS:
 2. D.B. 4109, PG. 612



N.C. GRID NORTH NAD83 (2011)
 P.B. 2022, PG. 419-433

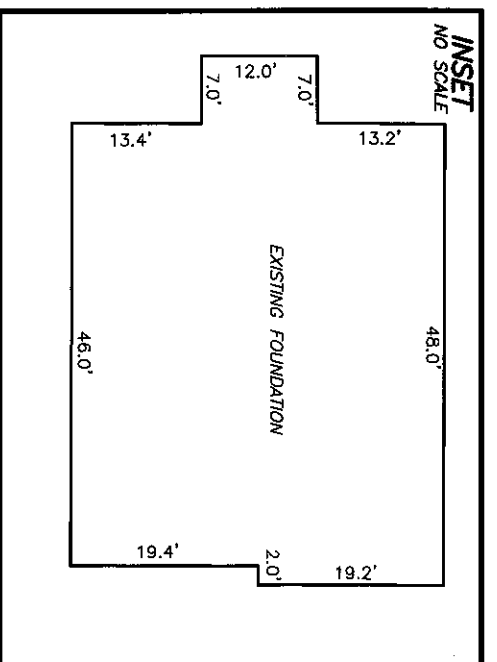
SETBACKS
 24.3' LOT WIDTHS
 FRONT YARD-20'
 SIDE YARD-5'
 REAR YARD-20'
 CORNER SIDE-12'

- NOTES:
1. ALL EASEMENTS, RIGHTS OF WAY AND BOUNDARY INFORMATION TAKEN FROM P.B. 2022, PG 419-433 UNLESS OTHERWISE NOTED.
 2. PROPERTY IS SUBJECT TO ALL EASEMENTS AND RESTRICTIONS OF RECORD. NO TITLE EXAMINATION HAS BEEN DONE BY ROBINSON & PLANTE, P.C.

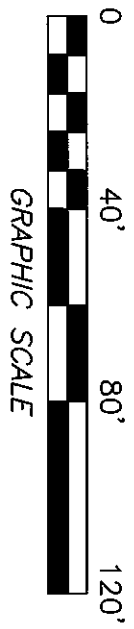
NOTE:
 RATIO OF PRECISION IS 1:10,000+. ENCLOSURE WAS DISTRIBUTED BY THE COMPASS METHOD. THE DISTANCES ON THIS MAP ARE ADJUSTED HORIZONTAL GROUND UNLESS NOTED OTHERWISE. ALL AREAS ARE CALCULATED BY COORDINATE COMPUTATION.

LOT 43 SERENITY SUBDIVISION
 PHASE 1
 49 COMFORT COURT
 HARNETT COUNTY
 FUQUAY-VARINA, N.C. 27526

REFERENCE: PLAT BOOK 2022 PAGE 419-433.

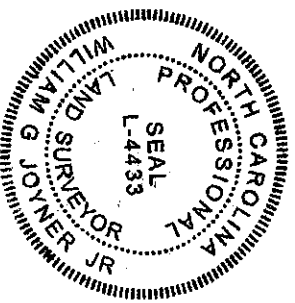


FOUNDATION SURVEY FOR
DREES HOMES



FILE: S710743FD

I CERTIFY THAT THIS MAP WAS DRAWN UNDER MY SUPERVISION FROM AN ACTUAL SURVEY MADE UNDER MY SUPERVISION. DESCRIPTION RECORDED IN REFERENCES AS SHOWN. THAT THE BOUNDARIES NOT SURVEYED ARE INDICATED AS DRAWN FROM INFORMATION IN PRECISION IS 1:10,000. AND THAT THIS MAP MEET THE REQUIREMENTS OF THE STANDARDS OF PRACTICE FOR LAND SURVEYING IN NORTH CAROLINA (21 NCAC 56.16000).
 THIS 6th DAY OF SEPTEMBER, 2023.
William G. Joyner Jr.
 PROFESSIONAL LAND SURVEYOR L-4433



ROBINSON & PLANTE PC
 LAND SURVEYING
 C-2687
 970 TRINITY ROAD
 RALEIGH, N.C. 27607
 PHONE (919) 859-6030
 FAX (919) 859-6032

DATE: 9-5-23 SCALE: 1"=40'