

Trenco  
818 Soundside Rd  
Edenton, NC 27932

Re: 38561-38561A  
50 PRINCE PLACE - FLOOR

The truss drawing(s) referenced below have been prepared by Truss Engineering Co. under my direct supervision based on the parameters provided by 84 Components - #2383.

Pages or sheets covered by this seal: I61528589 thru I61528589

My license renewal date for the state of North Carolina is December 31, 2023.

North Carolina COA: C-0844



October 20, 2023

Gilbert, Eric

**IMPORTANT NOTE:** The seal on these truss component designs is a certification that the engineer named is licensed in the jurisdiction(s) identified and that the designs comply with ANSI/TPI 1. These designs are based upon parameters shown (e.g., loads, supports, dimensions, shapes and design codes), which were given to MiTek or TRENCO. Any project specific information included is for MiTek's or TRENCO's customers file reference purpose only, and was not taken into account in the preparation of these designs. MiTek or TRENCO has not independently verified the applicability of the design parameters or the designs for any particular building. Before use, the building designer should verify applicability of design parameters and properly incorporate these designs into the overall building design per ANSI/TPI 1, Chapter 2.

|              |       |            |     |     |                         |          |
|--------------|-------|------------|-----|-----|-------------------------|----------|
| Job          | Truss | Truss Type | Qty | Ply | 50 PRINCE PLACE - FLOOR | 61528589 |
| 38561-38561A | F8A   | FLOOR      | 3   | 1   |                         |          |

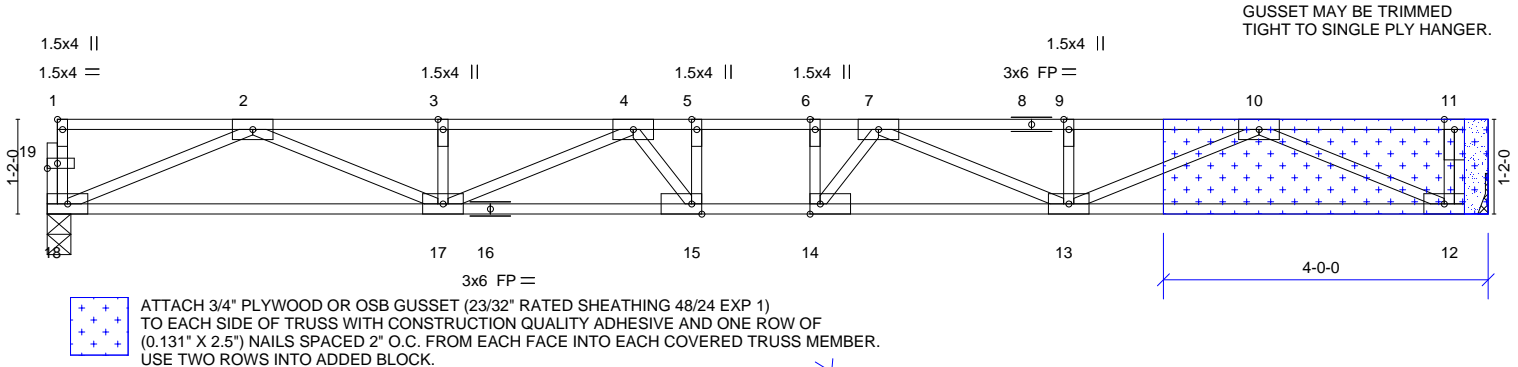
84 Components (Dunn, NC), Dunn, NC - 28334,

8.720 s Aug 11 2023 MiTek Industries, Inc. Thu Oct 19 15:20:21 2023 Page 1  
ID:is6TgJ7xgi0\_J9veeoxFt8ywRii-bFTAWo5uT2qCrKPT6nMN6P4N\_v0Xt5UKKRK802yRpFu

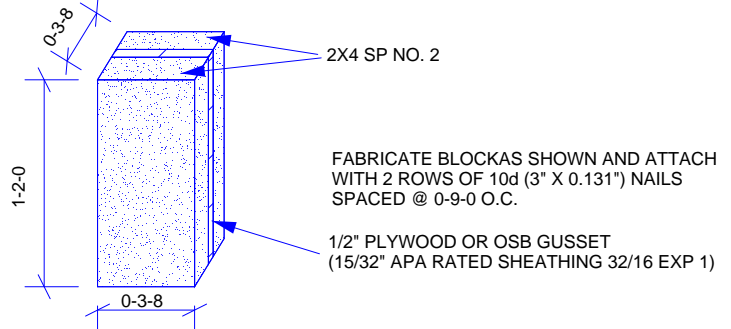


Scale = 1:28.4

EXTEND RIGHT END OF TRUSS 0-3-8



ATTACH 3/4" PLYWOOD OR OSB GUSSET (23/32" RATED SHEATHING 48/24 EXP 1) TO EACH SIDE OF TRUSS WITH CONSTRUCTION QUALITY ADHESIVE AND ONE ROW OF (0.131" X 2.5") NAILS SPACED 2" O.C. FROM EACH FACE INTO EACH COVERED TRUSS MEMBER. USE TWO ROWS INTO ADDED BLOCK.



FABRICATE BLOCKS SHOWN AND ATTACH WITH 2 ROWS OF 10d (3" X 0.131") NAILS SPACED @ 0-9-0 O.C.

1/2" PLYWOOD OR OSB GUSSET (15/32" APA RATED SHEATHING 32/16 EXP 1)

|                       |  |
|-----------------------|--|
| Plate Offsets (X,Y)-- | [1:Edge,0-0-12], [14:0-1-8,Edge], [15:0-1-8,Edge], [19:0-1-8,0-0-12] |
|-----------------------|--|

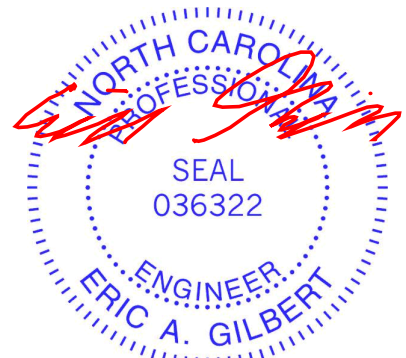
| LOADING (psf) | SPACING-             | 1-4-0 | CSI.     | DEFL.    | in (loc)    | l/defl | L/d | PLATES        | GRIP            |
|---------------|----------------------|-------|----------|----------|-------------|--------|-----|---------------|-----------------|
| TCLL 40.0     | Plate Grip DOL       | 1.00  | TC 0.36  | Vert(LL) | -0.21 14-15 | >979   | 480 | MT20          | 244/190         |
| TCDL 10.0     | Lumber DOL           | 1.00  | BC 0.72  | Vert(CT) | -0.29 14-15 | >712   | 360 |               |                 |
| BCLL 0.0      | Rep Stress Incr      | YES   | WB 0.44  | Horz(CT) | 0.05 12     | n/a    | n/a |               |                 |
| BCDL 5.0      | Code IRC2015/TPI2014 |       | Matrix-S |          |             |        |     | Weight: 88 lb | FT = 20%F, 11%E |

| LUMBER-                     | BRACING-  |
|-----------------------------|---|
| TOP CHORD 2x4 SP No.2(flat) | TOP CHORD Structural wood sheathing directly applied or 6-0-0 oc purlins, except end verticals. |
| BOT CHORD 2x4 SP No.2(flat) | BOT CHORD Rigid ceiling directly applied or 10-0-0 oc bracing.                                  |
| WEBS 2x4 SP No.3(flat)      |   |

REACTIONS. (size) 18=0-3-8, 12=Mechanical  
Max Grav 18=627(LC 1), 12=631(LC 1)

FORCES. (lb) - Max. Comp./Max. Ten. - All forces 250 (lb) or less except when shown.  
TOP CHORD 2-3=-2113/0, 3-4=-2113/0, 4-5=-2582/0, 5-6=-2582/0, 6-7=-2582/0, 7-9=-2113/0, 9-10=-2113/0  
BOT CHORD 17-18=0/1272, 15-17=0/2532, 14-15=0/2582, 13-14=0/2532, 12-13=0/1273  
WEBS 2-18=-1381/0, 10-12=-1387/0, 2-17=0/921, 10-13=0/919, 4-17=-458/0, 7-13=-459/0, 4-15=-136/307, 7-14=-137/307

- NOTES-
- 1) Unbalanced floor live loads have been considered for this design.
  - 2) As requested, plates have not been designed to provide for placement tolerances or rough handling and erection conditions. It is the responsibility of the fabricator to increase plate sizes to account for these factors.
  - 3) All plates are 3x6 MT20 unless otherwise indicated.
  - 4) Refer to girder(s) for truss to truss connections.
  - 5) Recommend 2x6 strongbacks, on edge, spaced at 10-0-0 oc and fastened to each truss with 3-10d (0.131" X 3") nails. Strongbacks to be attached to walls at their outer ends or restrained by other means.
  - 6) CAUTION, Do not erect truss backwards.



October 20,2023

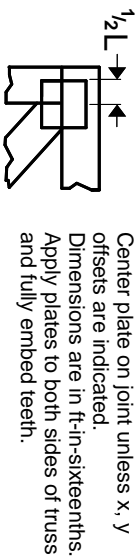
**WARNING - Verify design parameters and READ NOTES ON THIS AND INCLUDED MITEK REFERENCE PAGE MII-7473 rev. 1/2/2023 BEFORE USE.**  
Design valid for use only with MiTek® connectors. This design is based only upon parameters shown, and is for an individual building component, not a truss system. Before use, the building designer must verify the applicability of design parameters and properly incorporate this design into the overall building design. Bracing indicated is to prevent buckling of individual truss web and/or chord members only. Additional temporary and permanent bracing is always required for stability and to prevent collapse with possible personal injury and property damage. For general guidance regarding the fabrication, storage, delivery, erection and bracing of trusses and truss systems, see **ANSI/TPH Quality Criteria and DSB-22** available from Truss Plate Institute (www.tpinst.org) and **BCSI Building Component Safety Information** available from the Structural Building Component Association (www.sbccomponents.com)



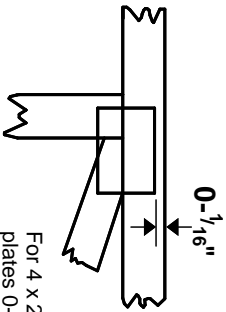
818 Soundside Road  
Edenton, NC 27932

# Symbols

## PLATE LOCATION AND ORIENTATION



Center plate on joint unless x, y offsets are indicated. Dimensions are in ft-in-sixteenths. Apply plates to both sides of truss and fully embed teeth.



For 4 x 2 orientation, locate plates 0-  $\frac{1}{16}$ \" from outside edge of truss.



This symbol indicates the required direction of slots in connector plates.

\* Plate location details available in MITek software or upon request.

## PLATE SIZE

4 X 4

The first dimension is the plate width measured perpendicular to slots. Second dimension is the length parallel to slots.

## LATERAL BRACING LOCATION



Indicated by symbol shown and/or by text in the bracing section of the output. Use T or I bracing if indicated.

## BEARING

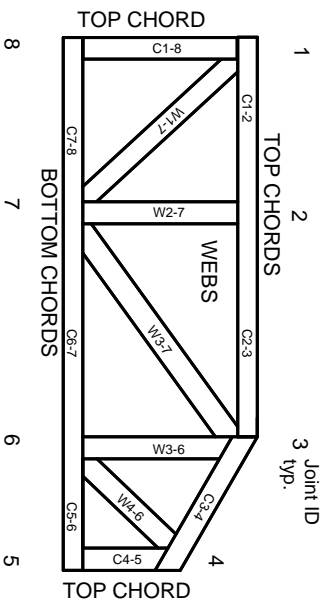


Indicates location where bearings (supports) occur. Icons vary but reaction section indicates joint number/letter where bearings occur. Min size shown is for crushing only.

## Industry Standards:

ANSI/TP1: National Design Specification for Metal Plate Connected Wood Truss Construction.  
DSB-22: Design Standard for Bracing.  
BCSI: Building Component Safety Information, Guide to Good Practice for Handling, Installing, Restraining & Bracing of Metal Plate Connected Wood Trusses.

# Numbering System



JOINTS ARE GENERALLY NUMBERED/LETTERED CLOCKWISE AROUND THE TRUSS STARTING AT THE JOINT FARTHEST TO THE LEFT.

CHORDS AND WEBS ARE IDENTIFIED BY END JOINT NUMBERS/LETTERS.

# Product Code Approvals

ICC-ES Reports:

ESR-1988, ESR-2362, ESR-2685, ESR-3282  
ESR-4722, ESL-1388

# Design General Notes

Trusses are designed for wind loads in the plane of the truss unless otherwise shown.

Lumber design values are in accordance with ANSI/TP1 section 6.3. These truss designs rely on lumber values established by others.

© 2023 MITek® All Rights Reserved

**MITek**

ENGINEERING BY  
**TRENGO**  
A MITek Affiliate

MITek Engineering Reference Sheet: MIL-7473 rev. 1/2/2023

# General Safety Notes

## Failure to Follow Could Cause Property Damage or Personal Injury

1. Additional stability/bracing for truss system, e.g. diagonal or X-bracing, is always required. See BCSI.
2. Truss bracing must be designed by an engineer. For wide truss spacing, individual lateral braces themselves may require bracing, or alternative Tor I bracing should be considered.
3. Never exceed the design loading shown and never stack materials on inadequately braced trusses.
4. Provide copies of this truss design to the building designer, erection supervisor, property owner and all other interested parties.
5. Cut members to bear tightly against each other.
6. Place plates on each face of truss at each joint and embed fully. Knots and wane at joint locations are regulated by ANSI/TP1 1.
7. Design assumes trusses will be suitably protected from the environment in accord with ANSI/TP1 1.
8. Unless otherwise noted, moisture content of lumber shall not exceed 19% at time of fabrication.
9. Unless expressly noted, this design is not applicable for use with fire retardant, preservative treated, or green lumber.
10. Camber is a non-structural consideration and is the responsibility of truss fabricator. General practice is to camber for dead load deflection.
11. Plate type, size, orientation and location dimensions indicated are minimum plating requirements.
12. Lumber used shall be of the species and size, and in all respects, equal to or better than that specified.
13. Top chords must be sheathed or purlins provided at spacing indicated on design.
14. Bottom chords require lateral bracing at 10 ft. spacing, or less, if no ceiling is installed, unless otherwise noted.
15. Connections not shown are the responsibility of others.
16. Do not cut or alter truss member or plate without prior approval of an engineer.
17. Install and load vertically unless indicated otherwise.
18. Use of green or treated lumber may pose unacceptable environmental, health or performance risks. Consult with project engineer before use.
19. Review all portions of this design (front, back, words and pictures) before use. Reviewing pictures alone is not sufficient.
20. Design assumes manufacture in accordance with ANSI/TP1 1 Quality Criteria.
21. The design does not take into account any dynamic or other loads other than those expressly stated.