

DATE:

MAY 1, 2023

**WELLONS HOMES**

P.O. BOX 730  
DUNN, N.C. - 28335  
O: (910) 892-3123 FAX: (910) 892-5032  
© 2023, WELLONS HOMES

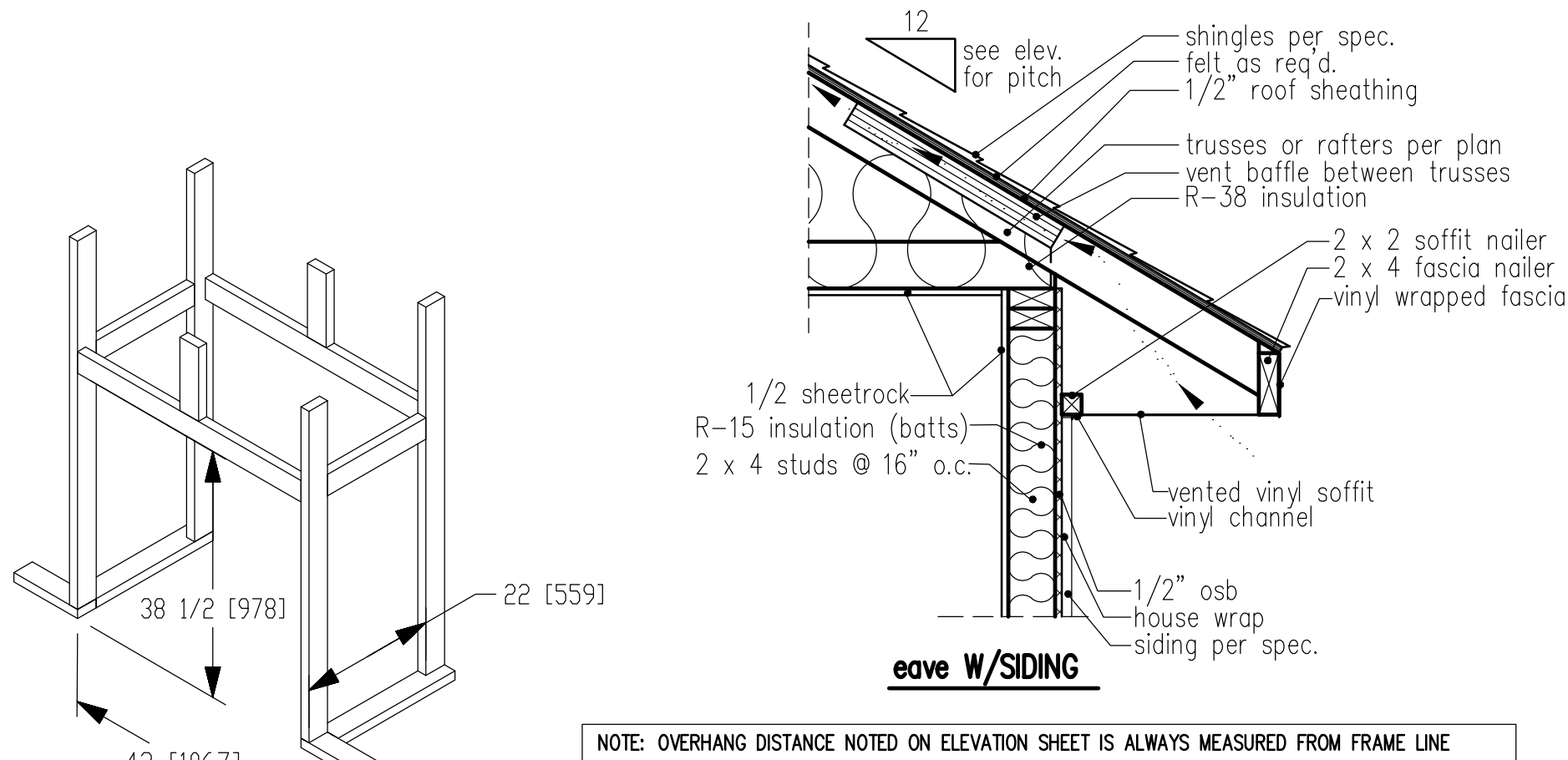


**FARMHOUSE~II**  
( GARAGE LEFT )

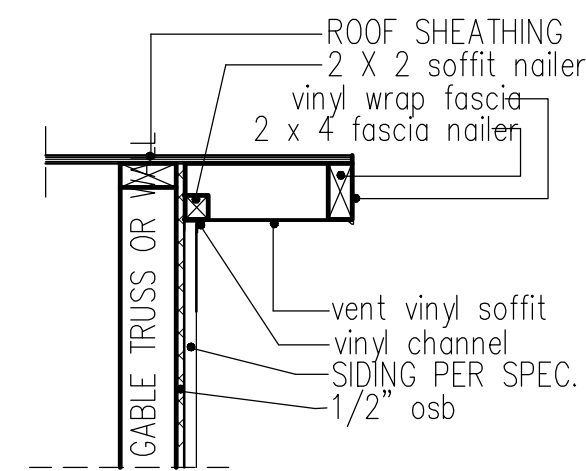
PLAN:

SHEET NO.

**5**

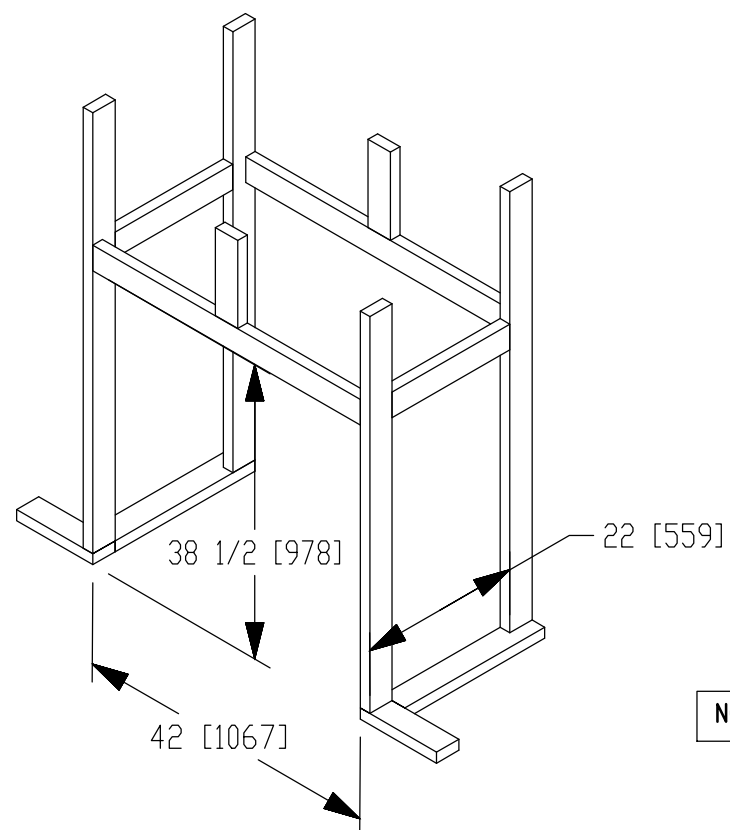


**standard eave details**



**RAKE w/SIDING**

NOTE: OVERHANG DISTANCE NOTED ON ELEVATION SHEET IS ALWAYS MEASURED FROM FRAME LINE

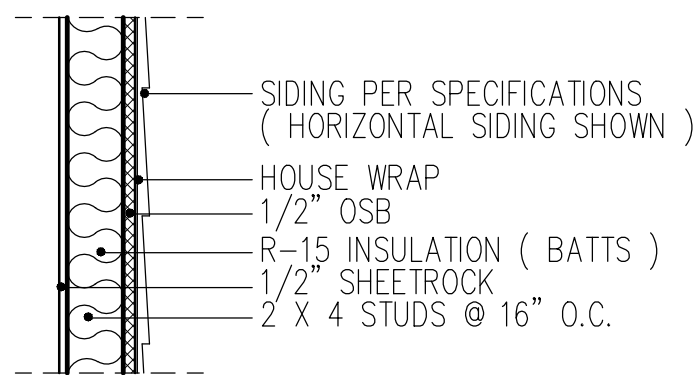


DIMENSIONS IN [ ] ARE MM

**SPECIFICATIONS**

Model 6000-TR	Height		Front Width		Back Width		Depth		Glass Size	BTU Input
	Actual	Framing	Actual	Framing	Actual	Framing	Actual	Framing		
Inches	38	38-1/2	41	42	28-1/2	42	21-1/2	22		

Reference dimensions only. We recommend measuring individual units at installation.



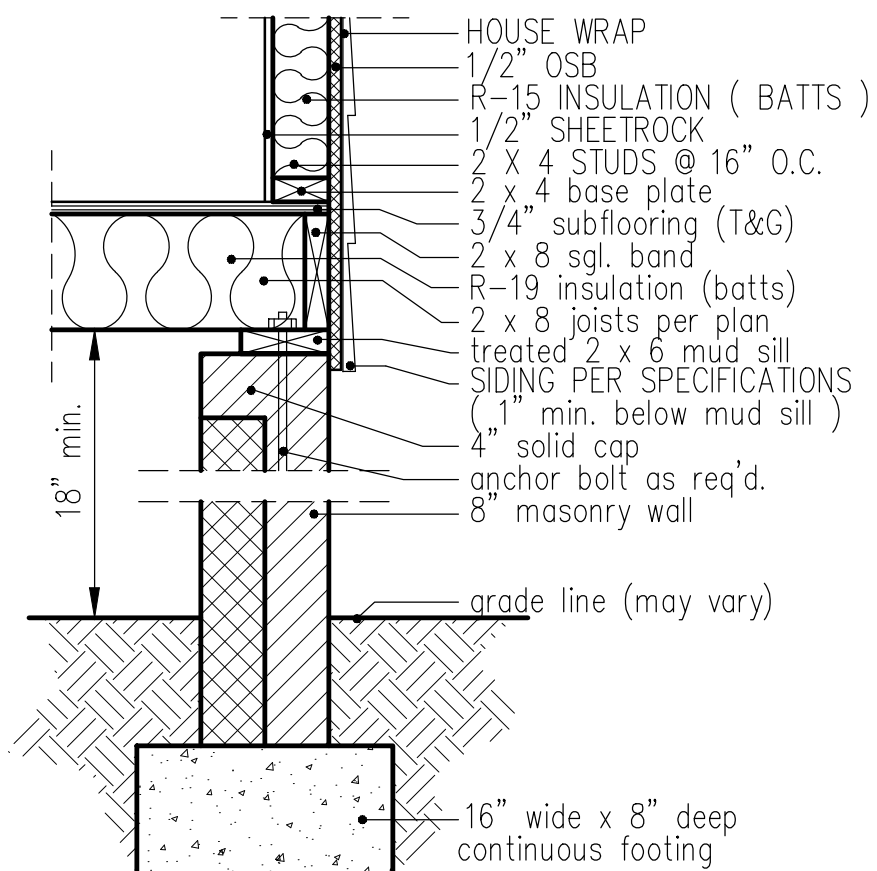
**WALL W/siding**

**intermediate wall details**

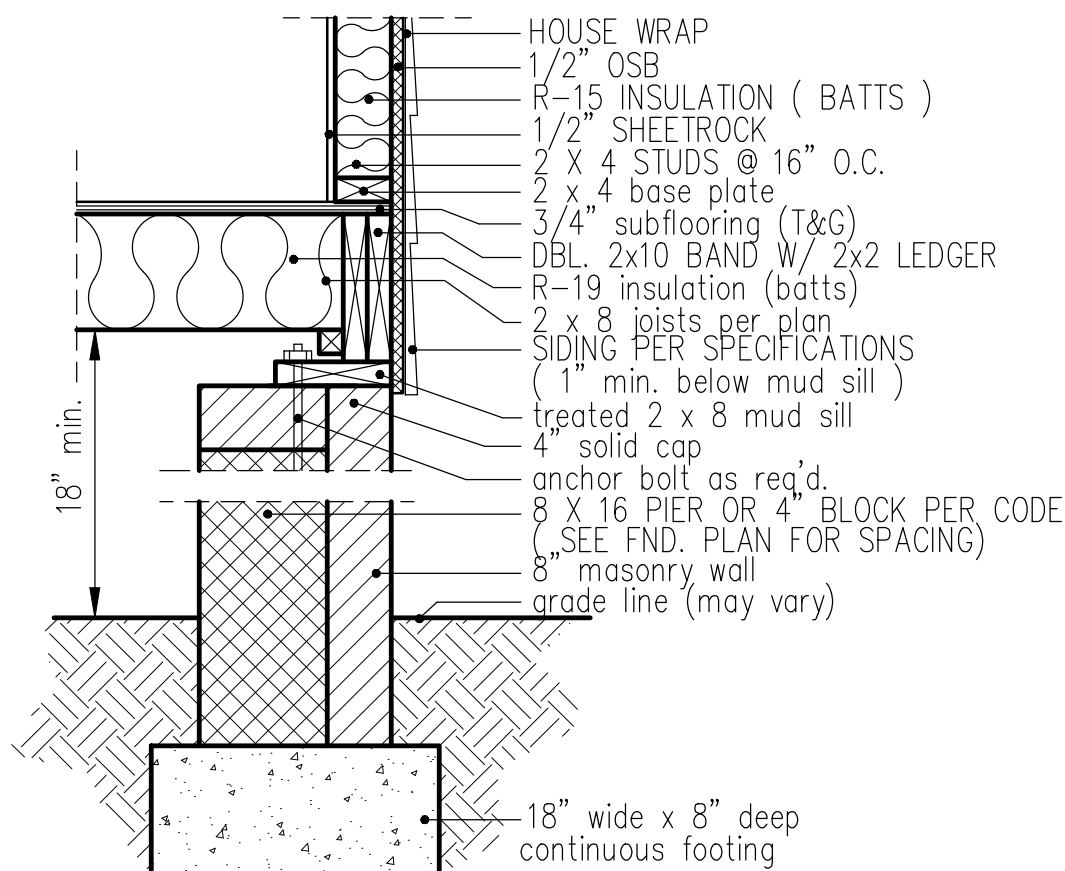
TABLE R602.7.5  
MINIMUM NUMBER OF FULL HEIGHT STUDS AT EACH END OF HEADERS IN EXTERIOR WALLS

HEADER SPAN (feet)	MAX. STUD SPACING (Inches) [per Table R602.3(5)]	
	16	24
< 3'	1	1
4'	2	1
8'	3	2
12'	5	3
16'	6	4

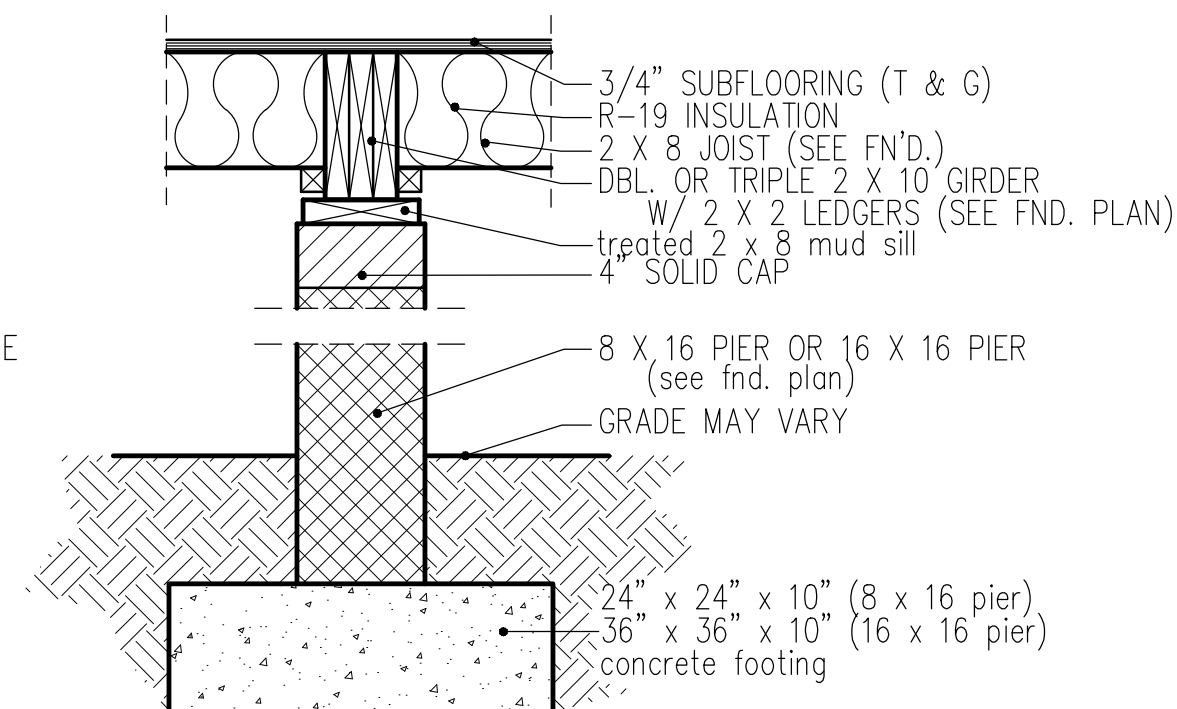
GIRDER AND HEADER SIZES AND JACK STUD REQUIREMENTS ON EXTERIOR AND INTERIOR LOAD BEARING WALLS ARE TO COINCIDE WITH TABLE EXT.~R602.7 (1) AND INT.~R602.7 (2).



**8" BOX SILL FOUNDATION WALL**



**PIER and CURTAIN FOUNDATION WALL**



**PIER and GIRDER DETAIL**