

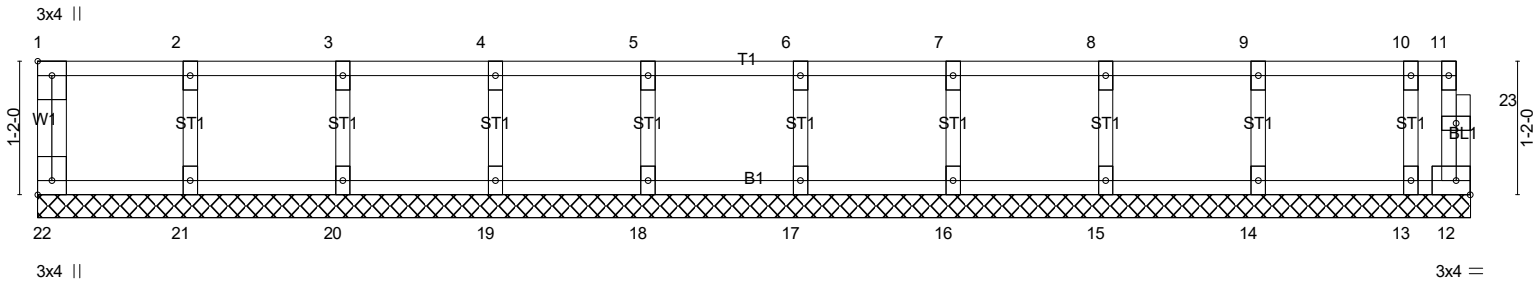
Job	Truss	Truss Type	Qty	Ply	2150 Camp Easter Road
J0223-0576	ET-1	GABLE	1	1	Job Reference (optional)

Comtech, Inc., Fayetteville, NC 28309, James Naylor

Run: 8.430 s May 12 2021 Print: 8.430 s May 12 2021 MiTek Industries, Inc. Fri Mar 3 08:39:55 2023 Page 1
ID:3ZkAT1H?TWmBdJQ818CHLxz8j5Y-Wuu4PFRvVqlqfwMuuLEoBxcfgsTaRN4Qe0M8DWzehl

0-1-8

Scale = 1:20.1



1-4-0	2-8-0	4-0-0	5-4-0	6-8-0	8-0-0	9-4-0	10-8-0	12-0-0	12-6-4
1-4-0	1-4-0	1-4-0	1-4-0	1-4-0	1-4-0	1-4-0	1-4-0	1-4-0	0-6-4

Plate Offsets (X,Y)-- [1:Edge,0-1-8], [22:Edge,0-1-8]

LOADING (psf)	SPACING-	2-0-0	CSI.	DEFL.	in	(loc)	l/defl	L/d	PLATES	GRIP
TCLL 40.0	Plate Grip DOL 1.00		TC 0.06	Vert(LL)	n/a	-	n/a	999	MT20	244/190
TCDL 10.0	Lumber DOL 1.00		BC 0.02	Vert(CT)	n/a	-	n/a	999		
BCLL 0.0	Rep Stress Incr YES		WB 0.03	Horz(CT)	0.00	12	n/a	n/a		
BCDL 5.0	Code IRC2015/TPI2014		Matrix-R							
									Weight: 55 lb	FT = 20%F, 11%E

LUMBER-
 TOP CHORD 2x4 SP No.1(flat)
 BOT CHORD 2x4 SP No.1(flat)
 WEBS 2x4 SP No.3(flat)
 OTHERS 2x4 SP No.3(flat)

BRACING-
 TOP CHORD Structural wood sheathing directly applied or 6-0-0 oc purlins, except end verticals.
 BOT CHORD Rigid ceiling directly applied or 10-0-0 oc bracing.

REACTIONS. All bearings 12-6-4.
 (lb) - Max Grav All reactions 250 lb or less at joint(s) 22, 12, 21, 20, 19, 18, 17, 16, 15, 14, 13

FORCES. (lb) - Max. Comp./Max. Ten. - All forces 250 (lb) or less except when shown.

- NOTES-**
- All plates are 1.5x3 MT20 unless otherwise indicated.
 - Plates checked for a plus or minus 1 degree rotation about its center.
 - Gable requires continuous bottom chord bearing.
 - Truss to be fully sheathed from one face or securely braced against lateral movement (i.e. diagonal web).
 - Gable studs spaced at 1-4-0 oc.
 - This truss is designed in accordance with the 2015 International Residential Code sections R502.11.1 and R802.10.2 and referenced standard ANSI/TPI 1.
 - Recommend 2x6 strongbacks, on edge, spaced at 10-0-0 oc and fastened to each truss with 3-10d (0.131" X 3") nails. Strongbacks to be attached to walls at their outer ends or restrained by other means.
 - CAUTION, Do not erect truss backwards.

LOAD CASE(S) Standard

Job	Truss	Truss Type	Qty	Ply	2150 Camp Easter Road
J0223-0576	ET-2	GABLE	1	1	Job Reference (optional)

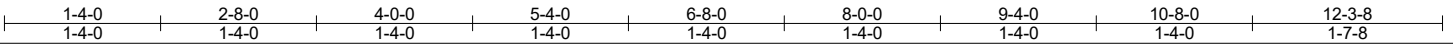
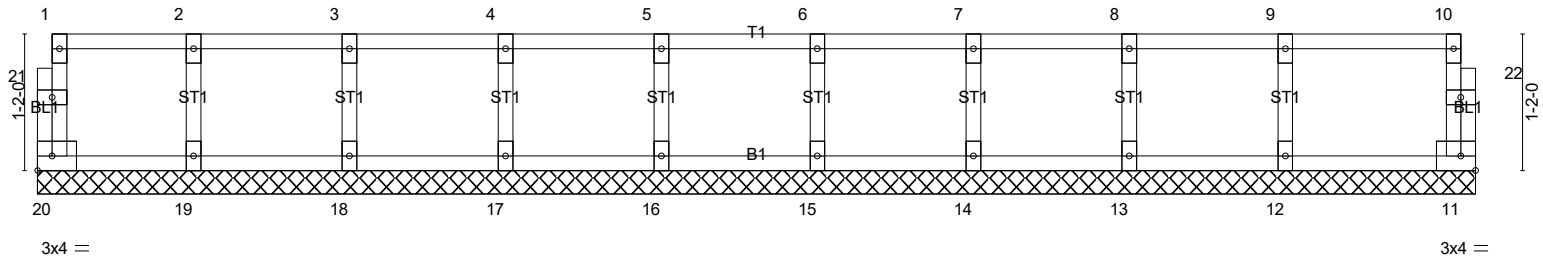
Comtech, Inc., Fayetteville, NC 28309, James Naylor

Run: 8.430 s May 12 2021 Print: 8.430 s May 12 2021 MiTek Industries, Inc. Fri Mar 3 08:39:56 2023 Page 1
ID:3ZkAT1H?TWmBdJQ8I8CHLxz8j5Y-_5STcbSXGthH4x5S3I1j99prGpqAqIZtg6hlzzehzH

0₁1₈

0₁1₈

Scale = 1:19.7



LOADING (psf)	SPACING-	2-0-0	CSI.	DEFL.	in (loc)	l/defl	L/d	PLATES	GRIP
TCLL 40.0	Plate Grip DOL	1.00	TC 0.10	Vert(LL)	n/a	-	n/a	MT20	244/190
TCDL 10.0	Lumber DOL	1.00	BC 0.02	Vert(CT)	n/a	-	n/a		
BCLL 0.0	Rep Stress Incr	YES	WB 0.03	Horz(CT)	0.00	11	n/a		
BCDL 5.0	Code IRC2015/TPI2014		Matrix-R					Weight: 52 lb	FT = 20%F, 11%E

LUMBER-
 TOP CHORD 2x4 SP No.1(flat)
 BOT CHORD 2x4 SP No.1(flat)
 WEBS 2x4 SP No.3(flat)
 OTHERS 2x4 SP No.3(flat)

BRACING-
 TOP CHORD Structural wood sheathing directly applied or 6-0-0 oc purlins, except end verticals.
 BOT CHORD Rigid ceiling directly applied or 10-0-0 oc bracing.

REACTIONS. All bearings 12-3-8.
 (lb) - Max Grav All reactions 250 lb or less at joint(s) 20, 11, 19, 18, 17, 16, 15, 14, 13, 12

FORCES. (lb) - Max. Comp./Max. Ten. - All forces 250 (lb) or less except when shown.

- NOTES-**
- 1) All plates are 1.5x3 MT20 unless otherwise indicated.
 - 2) Plates checked for a plus or minus 1 degree rotation about its center.
 - 3) Gable requires continuous bottom chord bearing.
 - 4) Truss to be fully sheathed from one face or securely braced against lateral movement (i.e. diagonal web).
 - 5) Gable studs spaced at 1-4-0 oc.
 - 6) This truss is designed in accordance with the 2015 International Residential Code sections R502.11.1 and R802.10.2 and referenced standard ANSI/TPI 1.
 - 7) Recommend 2x6 strongbacks, on edge, spaced at 10-0-0 oc and fastened to each truss with 3-10d (0.131" X 3") nails. Strongbacks to be attached to walls at their outer ends or restrained by other means.

LOAD CASE(S) Standard

Job	Truss	Truss Type	Qty	Ply	2150 Camp Easter Road
J0223-0576	F1	Floor	5	1	Job Reference (optional)

Comtech, Inc., Fayetteville, NC 28309, James Naylor

Run: 8.430 s May 12 2021 Print: 8.430 s May 12 2021 MiTek Industries, Inc. Fri Mar 3 08:39:56 2023 Page 1
ID:3ZkAT1H?TWmBdJQ8l8CHLxz8j5Y-_5STcbSXGthH4x5S3l1j99gtGe5AivZtg6hlzzezH



Scale = 1:46.8

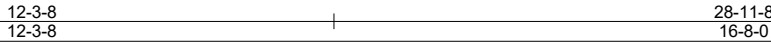
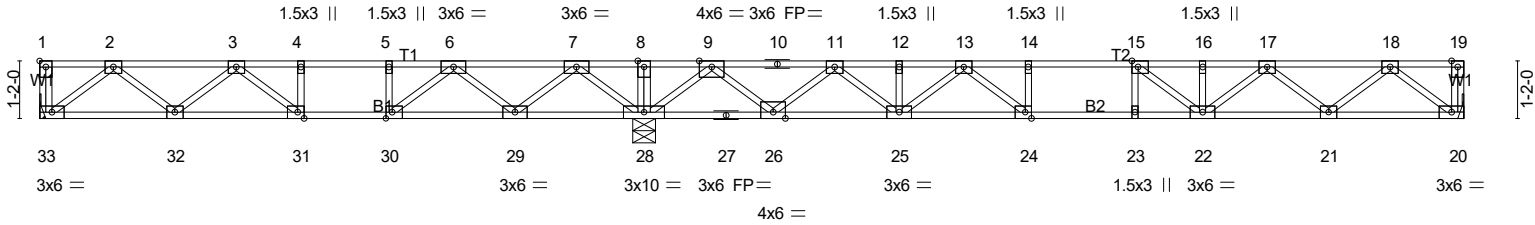


Plate Offsets (X,Y)-- [1:Edge,0-1-8], [15:0-1-8,Edge], [24:0-1-8,Edge], [30:0-1-8,Edge], [31:0-1-8,Edge]

LOADING (psf)	SPACING-	CSI.	DEFL.	in (loc)	l/defl	L/d	PLATES	GRIP
TCLL 40.0	2-0-0	TC 0.67	Vert(LL) -0.17	23	>999	480	MT20	244/190
TCDL 10.0	Plate Grip DOL 1.00	BC 0.77	Vert(CT) -0.24	23	>844	360		
BCLL 0.0	Lumber DOL 1.00	WB 0.57	Horz(CT) 0.04	20	n/a	n/a		
BCDL 5.0	Rep Stress Incr YES	Matrix-S						
	Code IRC2015/TPI2014							
							Weight: 146 lb	FT = 20%F, 11%E

LUMBER-	BRACING-
TOP CHORD 2x4 SP No.1(flat)	TOP CHORD Structural wood sheathing directly applied or 6-0-0 oc purlins, except end verticals.
BOT CHORD 2x4 SP No.1(flat)	BOT CHORD Rigid ceiling directly applied or 6-0-0 oc bracing.
WEBS 2x4 SP No.3(flat)	

REACTIONS. (lb/size) 33=480/Mechanical, 28=1907/0-5-8 (min. 0-1-8), 20=771/Mechanical
Max Grav 33=581(LC 3), 28=1907(LC 1), 20=798(LC 4)

FORCES. (lb) - Max. Comp./Max. Ten. - All forces 250 (lb) or less except when shown.
TOP CHORD 2-3=-1076/4, 3-4=-1407/357, 4-5=-1407/357, 5-6=-1407/357, 6-7=-468/1047, 7-8=0/2174, 8-9=0/2174, 9-10=-404/345, 10-11=-404/345, 11-12=-1892/0, 12-13=-1892/0, 13-14=-2729/0, 14-15=-2729/0, 15-16=-2557/0, 16-17=-2557/0, 17-18=-1611/0
BOT CHORD 32-33=0/702, 31-32=-102/1393, 30-31=-357/1407, 29-30=-734/1024, 28-29=-1349/0, 27-28=-906/0, 26-27=-906/0, 25-26=-81/1263, 24-25=0/2367, 23-24=0/2729, 22-23=0/2729, 21-22=0/2204, 20-21=0/986
WEBS 2-33=-881/0, 2-32=-31/487, 3-32=-412/127, 3-31=-404/18, 7-28=-1302/0, 7-29=0/871, 6-29=-902/0, 6-30=0/871, 5-30=-377/0, 9-28=-1622/0, 9-26=0/1197, 11-26=-1159/0, 11-25=0/846, 13-25=-653/0, 13-24=0/744, 14-24=-328/0, 18-20=-1237/0, 18-21=0/814, 17-21=-772/0, 17-22=0/450, 15-22=-410/188

- NOTES-**
- 1) Unbalanced floor live loads have been considered for this design.
 - 2) All plates are 3x4 MT20 unless otherwise indicated.
 - 3) Plates checked for a plus or minus 1 degree rotation about its center.
 - 4) Refer to girder(s) for truss to truss connections.
 - 5) This truss is designed in accordance with the 2015 International Residential Code sections R502.11.1 and R802.10.2 and referenced standard ANSI/TPI 1.
 - 6) Recommend 2x6 strongbacks, on edge, spaced at 10-0-0 oc and fastened to each truss with 3-10d (0.131" X 3") nails. Strongbacks to be attached to walls at their outer ends or restrained by other means.
 - 7) CAUTION, Do not erect truss backwards.

LOAD CASE(S) Standard

Job	Truss	Truss Type	Qty	Ply	2150 Camp Easter Road
J0223-0576	F2	Floor	3	1	Job Reference (optional)

Comtech, Inc., Fayetteville, NC 28309, James Naylor

Run: 8.430 s May 12 2021 Print: 8.430 s May 12 2021 MiTek Industries, Inc. Fri Mar 3 08:39:57 2023 Page 1
ID:3ZkAT1H?TWmBdJQ8i8CHLxz8j5Y-SH0rpxS91B?YvEWH0mGGGMhrF?Uv89j5KrFHPzhezG



Scale = 1:49.9

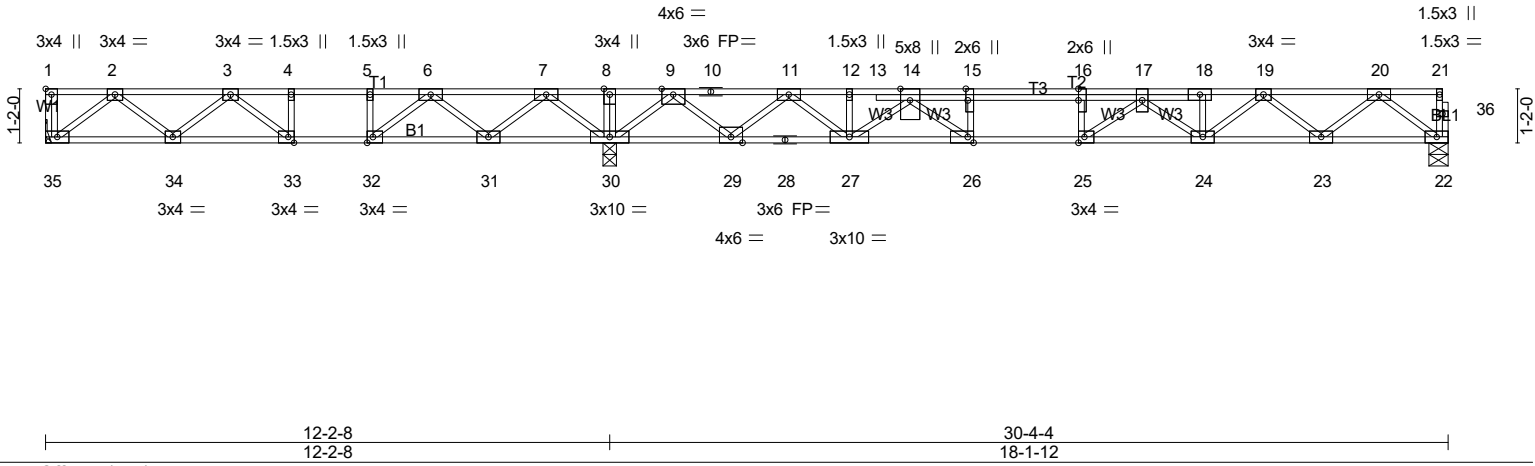


Plate Offsets (X,Y)-- [1:Edge,0-1-8], [15:0-3-0,Edge], [16:0-3-0,0-0-0], [25:0-1-8,Edge], [26:0-1-8,Edge], [32:0-1-8,Edge], [33:0-1-8,Edge]

LOADING (psf)	SPACING-	CSI.	DEFL.	in (loc)	l/defl	L/d	PLATES	GRIP
TCLL 40.0	2-0-0	TC 0.69	Vert(LL) -0.22	25	>971	480	MT20	244/190
TCDL 10.0	Plate Grip DOL 1.00	BC 0.69	Vert(CT) -0.30	25	>719	360		
BCLL 0.0	Lumber DOL 1.00	WB 0.63	Horz(CT) 0.05	22	n/a	n/a		
BCDL 5.0	Rep Stress Incr YES	Matrix-S						
	Code IRC2015/TPI2014							

Weight: 162 lb FT = 20%F, 11%E

LUMBER-	BRACING-
TOP CHORD 2x4 SP No.1(flat)	TOP CHORD Structural wood sheathing directly applied or 6-0-0 oc purlins, except end verticals.
BOT CHORD 2x4 SP No.1(flat)	BOT CHORD Rigid ceiling directly applied or 6-0-0 oc bracing.
WEBS 2x4 SP No.3(flat)	

REACTIONS. (lb/size) 35=447/Mechanical, 30=2019/0-3-8 (min. 0-1-8), 22=839/0-5-0 (min. 0-1-8)
Max Grav 35=566(LC 3), 30=2019(LC 1), 22=866(LC 4)

FORCES. (lb) - Max. Comp./Max. Ten. - All forces 250 (lb) or less except when shown.
TOP CHORD 2-3=-1041/71, 3-4=-1329/509, 4-5=-1329/509, 5-6=-1329/509, 6-7=-374/1278, 7-8=0/2478, 8-9=0/2478, 9-10=-336/394, 10-11=-336/394, 11-12=-2036/0, 12-13=-2036/0, 13-14=-2038/0, 14-15=-3389/0, 15-16=-3389/0, 16-17=-3389/0, 17-18=-2923/0, 18-19=-2918/0, 19-20=-1795/0
BOT CHORD 34-35=-17683, 33-34=-204/1340, 32-33=-509/1329, 31-32=-932/938, 30-31=-1607/0, 29-30=-1074/0, 28-29=-102/1303, 27-28=-102/1303, 26-27=0/2719, 25-26=0/3389, 24-25=0/3372, 23-24=0/2479, 22-23=0/1081
WEBS 2-35=-857/21, 2-34=-71/465, 3-34=-389/173, 3-33=-476/0, 7-30=-1339/0, 7-31=0/905, 6-31=-943/0, 6-32=0/922, 5-32=-395/0, 20-22=-1354/0, 20-23=0/929, 19-23=-890/0, 19-24=0/561, 9-30=-1763/0, 9-29=0/1333, 11-29=-1299/0, 11-27=0/980, 14-27=-875/0, 14-26=0/1127, 15-26=-601/0, 17-24=-566/0, 17-25=-387/365

- NOTES-**
- 1) Unbalanced floor live loads have been considered for this design.
 - 2) All plates are 3x6 MT20 unless otherwise indicated.
 - 3) Plates checked for a plus or minus 1 degree rotation about its center.
 - 4) Refer to girder(s) for truss to truss connections.
 - 5) This truss is designed in accordance with the 2015 International Residential Code sections R502.11.1 and R802.10.2 and referenced standard ANSI/TPI 1.
 - 6) Recommend 2x6 strongbacks, on edge, spaced at 10-0-0 oc and fastened to each truss with 3-10d (0.131" X 3") nails. Strongbacks to be attached to walls at their outer ends or restrained by other means.
 - 7) CAUTION, Do not erect truss backwards.

LOAD CASE(S) Standard

Job	Truss	Truss Type	Qty	Ply	2150 Camp Easter Road
J0223-0576	F3	Floor	3	1	Job Reference (optional)

Comtech, Inc., Fayetteville, NC 28309, James Naylor

Run: 8.430 s May 12 2021 Print: 8.430 s May 12 2021 MiTek Industries, Inc. Fri Mar 3 08:39:57 2023 Page 1
ID:3ZkAT1H?TWmBdJQ8I8CHLxz8j5Y-SH0rpxS91B?YvEWH0mGGGMhyEF4MvDdj5KrFHPzehzG



Scale = 1:19.4

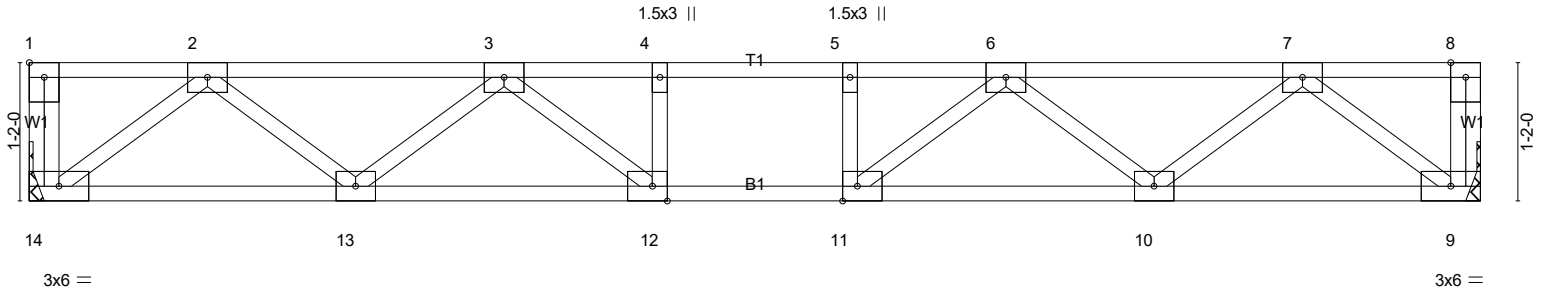


Plate Offsets (X,Y)--	[1:Edge,0-1-8], [11:0-1-8,Edge], [12:0-1-8,Edge]
-----------------------	--

LOADING (psf)	SPACING-	CSI.	DEFL.	in (loc)	l/defl	L/d	PLATES	GRIP
TCLL 40.0	2-0-0	TC 0.25	Vert(LL)	-0.07	12-13	>999	MT20	244/190
TCDL 10.0	Plate Grip DOL 1.00	BC 0.38	Vert(CT)	-0.09	12-13	>999		
BCLL 0.0	Lumber DOL 1.00	WB 0.28	Horz(CT)	0.02	9	n/a		
BCLL 0.0	Rep Stress Incr YES	Matrix-S						
BCDL 5.0	Code IRC2015/TPI2014						Weight: 63 lb	FT = 20%F, 11%E

LUMBER-	BRACING-
TOP CHORD 2x4 SP No.1(flat)	TOP CHORD Structural wood sheathing directly applied or 6-0-0 oc purlins, except end verticals.
BOT CHORD 2x4 SP No.1(flat)	BOT CHORD Rigid ceiling directly applied or 10-0-0 oc bracing.
WEBS 2x4 SP No.3(flat)	

REACTIONS. (lb/size) 14=659/Mechanical, 9=659/Mechanical

FORCES. (lb) - Max. Comp./Max. Ten. - All forces 250 (lb) or less except when shown.
 TOP CHORD 2-3=-1262/0, 3-4=-1866/0, 4-5=-1866/0, 5-6=-1866/0, 6-7=-1262/0
 BOT CHORD 13-14=0/804, 12-13=0/1686, 11-12=0/1866, 10-11=0/1686, 9-10=0/804
 WEBS 2-14=-1008/0, 2-13=0/597, 3-13=-551/0, 3-12=0/417, 7-9=-1008/0, 7-10=0/597, 6-10=-551/0, 6-11=0/417

- NOTES-**
- 1) Unbalanced floor live loads have been considered for this design.
 - 2) All plates are 3x4 MT20 unless otherwise indicated.
 - 3) Plates checked for a plus or minus 1 degree rotation about its center.
 - 4) Refer to girder(s) for truss to truss connections.
 - 5) This truss is designed in accordance with the 2015 International Residential Code sections R502.11.1 and R802.10.2 and referenced standard ANSI/TPI 1.
 - 6) Recommend 2x6 strongbacks, on edge, spaced at 10-0-0 oc and fastened to each truss with 3-10d (0.131" X 3") nails. Strongbacks to be attached to walls at their outer ends or restrained by other means.

LOAD CASE(S) Standard

Job	Truss	Truss Type	Qty	Ply	2150 Camp Easter Road
J0223-0576	F4	Floor	5	1	Job Reference (optional)

Comtech, Inc., Fayetteville, NC 28309, James Naylor

Run: 8.430 s May 12 2021 Print: 8.430 s May 12 2021 MiTek Industries, Inc. Fri Mar 3 08:39:58 2023 Page 1
ID:3ZkAT1H?TWmBdJQ8I8CHLxz8j5Y-xTaD1HTooV7PWN5TaUnVpaE643P1egisK_boqrzehzF

1-3-0

1-9-4

0-1-8

Scale = 1:20.2

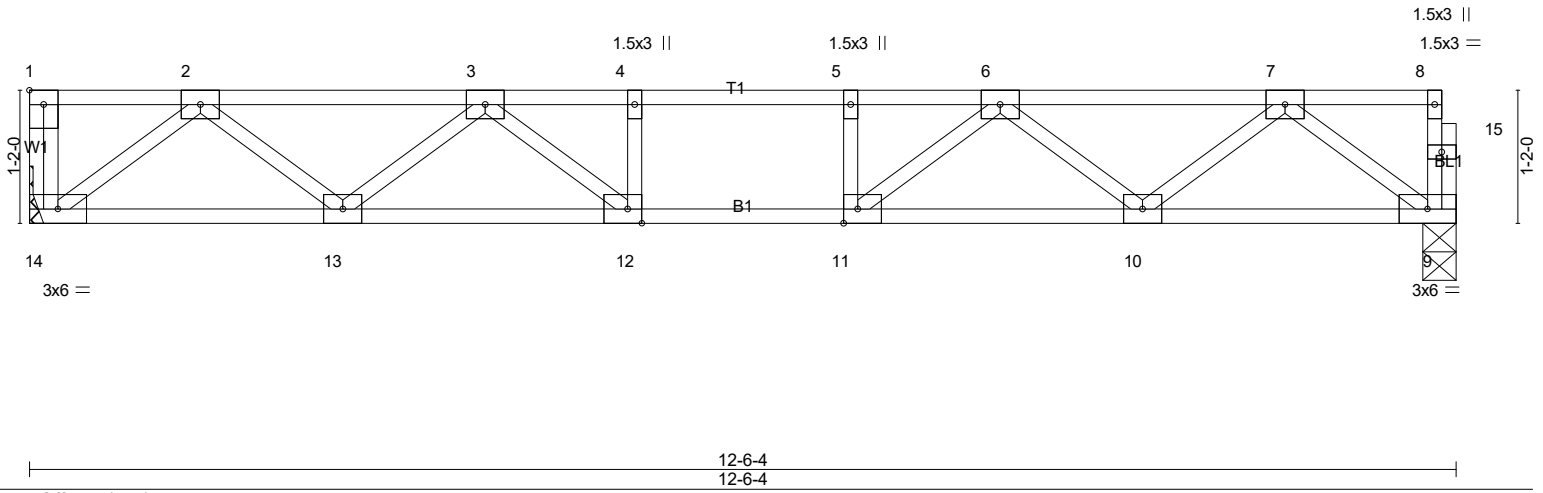


Plate Offsets (X,Y)-- [1:Edge,0-1-8], [11:0-1-8,Edge], [12:0-1-8,Edge]

LOADING (psf)	SPACING-	CSI.	DEFL.	in (loc)	l/defl	L/d	PLATES	GRIP
TCLL 40.0	2-0-0	TC 0.31	Vert(LL)	-0.08	12-13	>999	MT20	244/190
TCDL 10.0	Plate Grip DOL 1.00	BC 0.42	Vert(CT)	-0.11	12-13	>999		
BCLL 0.0	Lumber DOL 1.00	WB 0.30	Horz(CT)	0.02	9	n/a		
BCDL 5.0	Rep Stress Incr YES	Matrix-S						
	Code IRC2015/TPI2014						Weight: 63 lb	FT = 20%F, 11%E

LUMBER-
 TOP CHORD 2x4 SP No.1(flat)
 BOT CHORD 2x4 SP No.1(flat)
 WEBS 2x4 SP No.3(flat)

BRACING-
 TOP CHORD Structural wood sheathing directly applied or 6-0-0 oc purlins, except end verticals.
 BOT CHORD Rigid ceiling directly applied or 10-0-0 oc bracing.

REACTIONS. (lb/size) 14=675/Mechanical, 9=669/0-3-8 (min. 0-1-8)

FORCES. (lb) - Max. Comp./Max. Ten. - All forces 250 (lb) or less except when shown.
 TOP CHORD 2-3=-1302/0, 3-4=-1952/0, 4-5=-1952/0, 5-6=-1952/0, 6-7=-1302/0
 BOT CHORD 13-14=0/825, 12-13=0/1744, 11-12=0/1952, 10-11=0/1744, 9-10=0/824
 WEBS 2-14=-1035/0, 2-13=0/621, 3-13=-575/0, 3-12=0/462, 7-9=-1032/0, 7-10=0/622, 6-10=-576/0, 6-11=0/462

- NOTES-**
- 1) Unbalanced floor live loads have been considered for this design.
 - 2) All plates are 3x4 MT20 unless otherwise indicated.
 - 3) Plates checked for a plus or minus 1 degree rotation about its center.
 - 4) Refer to girder(s) for truss to truss connections.
 - 5) This truss is designed in accordance with the 2015 International Residential Code sections R502.11.1 and R802.10.2 and referenced standard ANSI/TPI 1.
 - 6) Recommend 2x6 strongbacks, on edge, spaced at 10-0-0 oc and fastened to each truss with 3-10d (0.131" X 3") nails. Strongbacks to be attached to walls at their outer ends or restrained by other means.
 - 7) CAUTION, Do not erect truss backwards.

LOAD CASE(S) Standard

Job	Truss	Truss Type	Qty	Ply	2150 Camp Easter Road
J0223-0576	F5	Floor	2	1	Job Reference (optional)

Comtech, Inc., Fayetteville, NC 28309, James Naylor

Run: 8.430 s May 12 2021 Print: 8.430 s May 12 2021 MiTek Industries, Inc. Fri Mar 3 08:39:58 2023 Page 1
ID:3ZkAT1H?TWmBdJQ8I8CHLxz8j5Y-xTaD1HTooV7PWN5TaUnVpaE3v3J?eclsk_boqrzhezF

1-3-0

1-10-0

0-1-8

Scale = 1:29.1

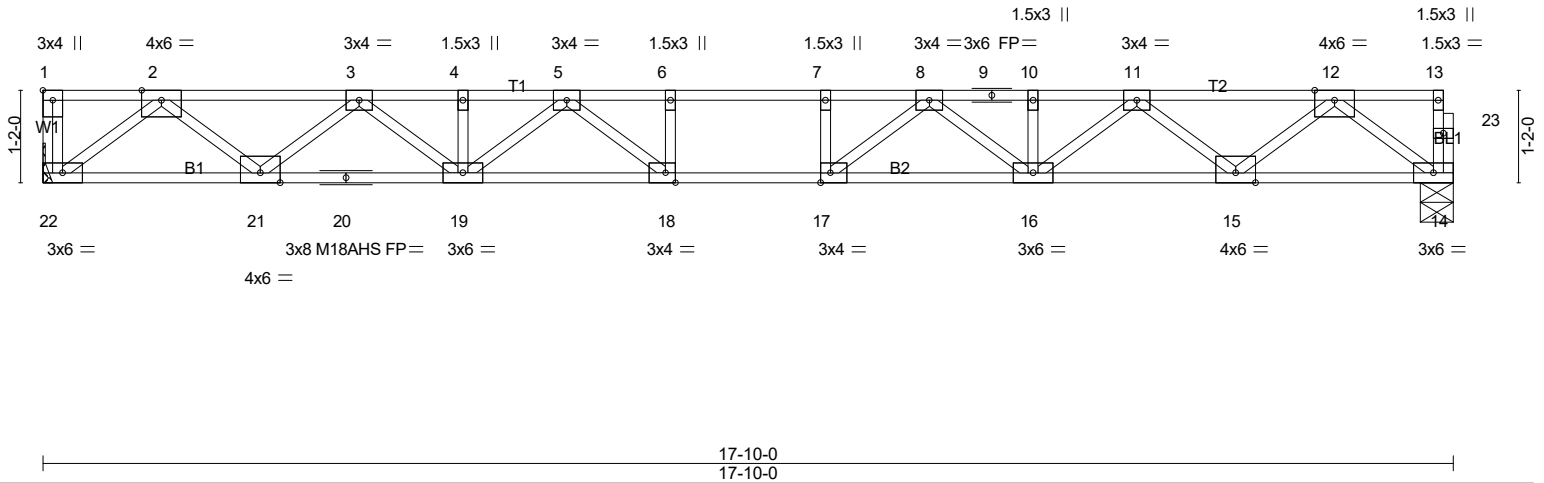


Plate Offsets (X,Y)-- [1:Edge,0-1-8], [17:0-1-8,Edge], [18:0-1-8,Edge]

LOADING (psf)	SPACING-	2-0-0	CSI.	DEFL.	in (loc)	l/defl	L/d	PLATES	GRIP	
TCLL 40.0	Plate Grip DOL	1.00	TC 0.51	Vert(LL)	-0.28	17-18	>750	480	MT20	244/190
TCDL 10.0	Lumber DOL	1.00	BC 0.80	Vert(CT)	-0.39	17-18	>546	360	M18AHS	186/179
BCLL 0.0	Rep Stress Incr	YES	WB 0.51	Horz(CT)	0.07	14	n/a	n/a		
BCDL 5.0	Code IRC2015/TPI2014		Matrix-S							
									Weight: 91 lb	FT = 20%F, 11%E

LUMBER-

TOP CHORD 2x4 SP No.1(flat)
BOT CHORD 2x4 SP No.1(flat)
WEBS 2x4 SP No.3(flat)

BRACING-

TOP CHORD Structural wood sheathing directly applied or 6-0-0 oc purlins, except end verticals.
BOT CHORD Rigid ceiling directly applied or 10-0-0 oc bracing.

REACTIONS. (lb/size) 22=967/Mechanical, 14=961/0-5-0 (min. 0-1-8)

FORCES. (lb) - Max. Comp./Max. Ten. - All forces 250 (lb) or less except when shown.

TOP CHORD 2-3=-2036/0, 3-4=-3390/0, 4-5=-3390/0, 5-6=-4040/0, 6-7=-4040/0, 7-8=-4040/0, 8-9=-3390/0, 9-10=-3390/0, 10-11=-3390/0, 11-12=-2035/0
BOT CHORD 21-22=0/1208, 20-21=0/2830, 19-20=0/2830, 18-19=0/3794, 17-18=0/4040, 16-17=0/3794, 15-16=0/2830, 14-15=0/1207
WEBS 2-22=-1516/0, 2-21=0/1077, 3-21=-1034/0, 3-19=0/716, 5-19=-516/0, 5-18=-77/635, 6-18=-290/0, 12-14=-1512/0, 12-15=0/1078, 11-15=-1034/0, 11-16=0/715, 8-16=-516/0, 8-17=-77/635, 7-17=-290/0

NOTES-

- 1) Unbalanced floor live loads have been considered for this design.
- 2) All plates are MT20 plates unless otherwise indicated.
- 3) Plates checked for a plus or minus 1 degree rotation about its center.
- 4) Refer to girder(s) for truss to truss connections.
- 5) This truss is designed in accordance with the 2015 International Residential Code sections R502.11.1 and R802.10.2 and referenced standard ANSI/TPI 1.
- 6) Recommend 2x6 strongbacks, on edge, spaced at 10-0-0 oc and fastened to each truss with 3-10d (0.131" X 3") nails. Strongbacks to be attached to walls at their outer ends or restrained by other means.
- 7) CAUTION, Do not erect truss backwards.

LOAD CASE(S) Standard

Job	Truss	Truss Type	Qty	Ply	2150 Camp Easter Road
J0223-0576	F6	Floor	5	1	Job Reference (optional)

Comtech, Inc., Fayetteville, NC 28309, James Naylor

Run: 8.430 s May 12 2021 Print: 8.430 s May 12 2021 MiTek Industries, Inc. Fri Mar 3 08:39:58 2023 Page 1
ID:3ZkAT1H?TWmBdJQ8I8CHLxz8j5Y-xTaD1HTooV7PWN5TaUnVpaE6n3PSegqsK_boqrzehrF

0-1-8



0-1-8
Scale= 1:20.1

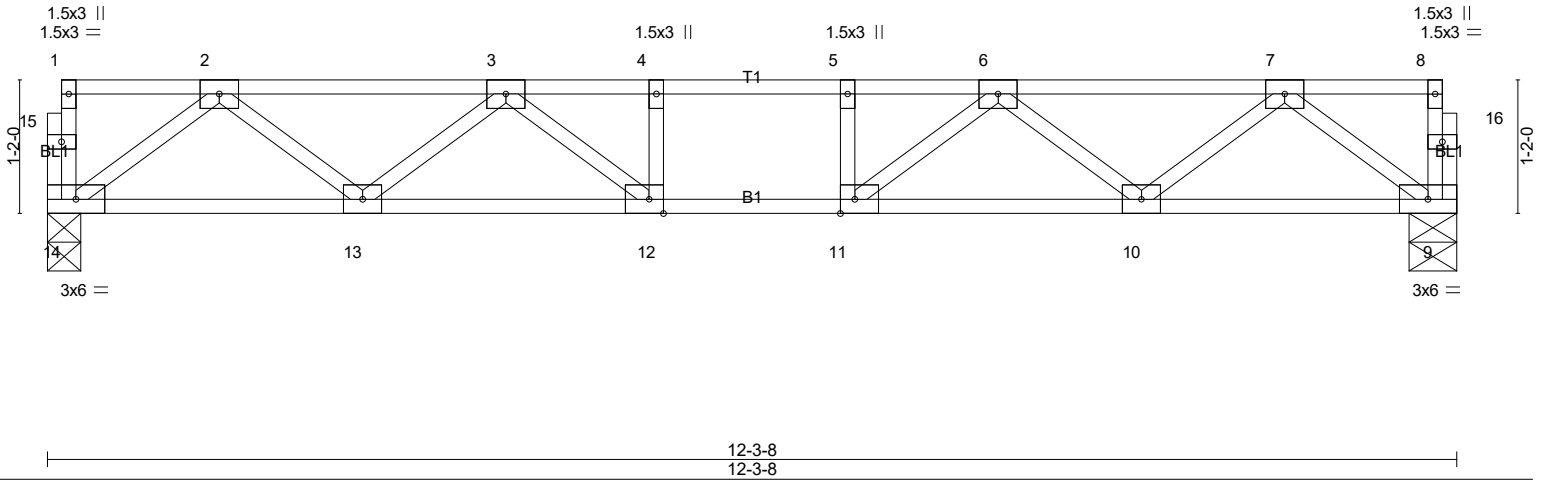


Plate Offsets (X,Y)-- [11:0-1-8,Edge], [12:0-1-8,Edge]

LOADING (psf)	SPACING-	CSI.	DEFL.	in (loc)	l/defl	L/d	PLATES	GRIP
TCLL 40.0	2-0-0	TC 0.26	Vert(LL)	-0.07 12-13	>999	480	MT20	244/190
TCDL 10.0	Plate Grip DOL 1.00	BC 0.39	Vert(CT)	-0.09 12-13	>999	360		
BCLL 0.0	Lumber DOL 1.00	WB 0.29	Horz(CT)	0.02 9	n/a	n/a		
BCDL 5.0	Rep Stress Incr YES	Matrix-S						
	Code IRC2015/TPI2014						Weight: 62 lb	FT = 20%F, 11%E

LUMBER-
TOP CHORD 2x4 SP No.1(flat)
BOT CHORD 2x4 SP No.1(flat)
WEBS 2x4 SP No.3(flat)

BRACING-
TOP CHORD Structural wood sheathing directly applied or 6-0-0 oc purlins, except end verticals.
BOT CHORD Rigid ceiling directly applied or 10-0-0 oc bracing.

REACTIONS. (lb/size) 14=656/0-3-8 (min. 0-1-8), 9=656/0-5-0 (min. 0-1-8)

FORCES. (lb) - Max. Comp./Max. Ten. - All forces 250 (lb) or less except when shown.
TOP CHORD 2-3=-1271/0, 3-4=-1885/0, 4-5=-1885/0, 5-6=-1885/0, 6-7=-1271/0
BOT CHORD 13-14=0/808, 12-13=0/1699, 11-12=0/1885, 10-11=0/1699, 9-10=0/808
WEBS 2-14=-1011/0, 2-13=0/603, 3-13=-557/0, 3-12=0/427, 7-9=-1011/0, 7-10=0/603, 6-10=-557/0, 6-11=0/427

- NOTES-**
- 1) Unbalanced floor live loads have been considered for this design.
 - 2) All plates are 3x4 MT20 unless otherwise indicated.
 - 3) Plates checked for a plus or minus 1 degree rotation about its center.
 - 4) This truss is designed in accordance with the 2015 International Residential Code sections R502.11.1 and R802.10.2 and referenced standard ANSI/TPI 1.
 - 5) Recommend 2x6 strongbacks, on edge, spaced at 10-0-0 oc and fastened to each truss with 3-10d (0.131" X 3") nails. Strongbacks to be attached to walls at their outer ends or restrained by other means.

LOAD CASE(S) Standard

Job	Truss	Truss Type	Qty	Ply	2150 Camp Easter Road
J0223-0576	F7	Floor	1	1	Job Reference (optional)

Comtech, Inc., Fayetteville, NC 28309, James Naylor

Run: 8.430 s May 12 2021 Print: 8.430 s May 12 2021 MiTek Industries, Inc. Fri Mar 3 08:39:59 2023 Page 1
ID:3ZkAT1H?TWmBdJQ8I8CHLxz8j5Y-Pg8bEdUQZoFF8Xgf7BlkLnnHzTo6N8k0ZeKMMIzehlZ



Scale = 1:31.4

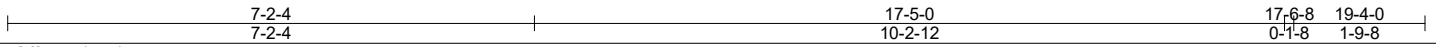
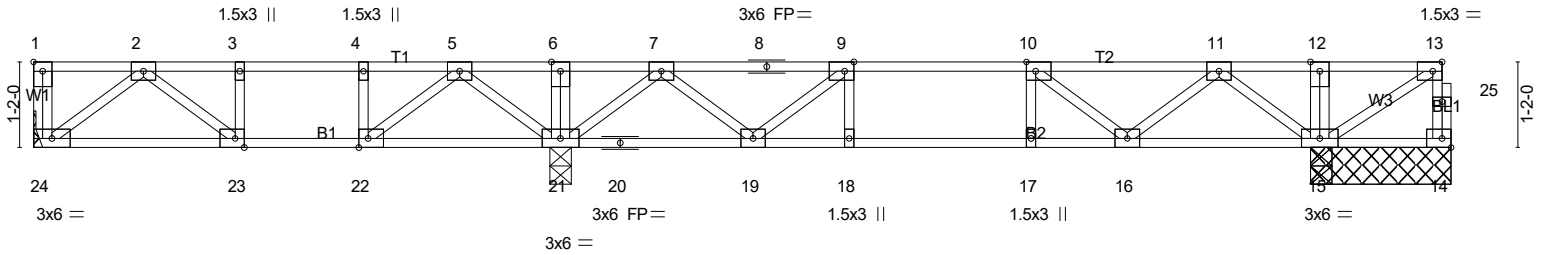


Plate Offsets (X,Y)-- [1:Edge,0-1-8], [9:0-1-8,Edge], [10:0-1-8,Edge], [13:0-1-8,Edge], [22:0-1-8,Edge], [23:0-1-8,Edge]

LOADING (psf)	SPACING-	CSI.	DEFL.	in (loc)	l/defl	L/d	PLATES	GRIP
TCLL 40.0	2-0-0	TC 0.30	Vert(LL)	-0.03	18	>999	MT20	244/190
TCDL 10.0	Plate Grip DOL 1.00	BC 0.23	Vert(CT)	-0.04	18	>999		
BCLL 0.0	Lumber DOL 1.00	WB 0.24	Horz(CT)	0.01	15	n/a		
BCDL 5.0	Rep Stress Incr YES	Matrix-S						
	Code IRC2015/TPI2014						Weight: 99 lb	FT = 20%F, 11%E

LUMBER-

TOP CHORD 2x4 SP No.1(flat)
BOT CHORD 2x4 SP No.1(flat)
WEBS 2x4 SP No.3(flat)

BRACING-

TOP CHORD Structural wood sheathing directly applied or 6-0-0 oc purlins, except end verticals.
BOT CHORD Rigid ceiling directly applied or 6-0-0 oc bracing.

REACTIONS.

All bearings 1-11-0 except (jt=length) 24=Mechanical, 21=0-3-8.
(lb) - Max Uplift All uplift 100 lb or less at joint(s) except 14=-398(LC 10)
Max Grav All reactions 250 lb or less at joint(s) except 24=357(LC 3), 21=1028(LC 9), 15=1138(LC 10), 15=1049(LC 1)

FORCES.

(lb) - Max. Comp./Max. Ten. - All forces 250 (lb) or less except when shown.
TOP CHORD 14-25=0/401, 13-25=0/400, 2-3=-535/44, 3-4=-535/44, 4-5=-535/44, 5-6=0/574, 6-7=0/574, 7-8=-604/0, 8-9=-604/0, 9-10=-908/0, 10-11=-520/0, 11-12=0/735, 12-13=0/735
BOT CHORD 23-24=0/380, 22-23=-44/535, 21-22=-247/251, 20-21=-29/272, 19-20=-29/272, 18-19=0/908, 17-18=0/908, 16-17=0/908
WEBS 5-21=-647/0, 5-22=0/513, 4-22=-255/0, 11-15=-839/0, 11-16=0/489, 10-16=-496/0, 13-15=-849/0, 2-24=-476/0, 7-21=-824/0, 7-19=0/453, 9-19=-433/0

NOTES-

- 1) Unbalanced floor live loads have been considered for this design.
- 2) All plates are 3x4 MT20 unless otherwise indicated.
- 3) Plates checked for a plus or minus 1 degree rotation about its center.
- 4) Refer to girder(s) for truss to truss connections.
- 5) Provide mechanical connection (by others) of truss to bearing plate capable of withstanding 398 lb uplift at joint 14.
- 6) This truss is designed in accordance with the 2015 International Residential Code sections R502.11.1 and R802.10.2 and referenced standard ANSI/TPI 1.
- 7) Recommend 2x6 strongbacks, on edge, spaced at 10-0-0 oc and fastened to each truss with 3-10d (0.131" X 3") nails. Strongbacks to be attached to walls at their outer ends or restrained by other means.
- 8) CAUTION, Do not erect truss backwards.

LOAD CASE(S) Standard

Job	Truss	Truss Type	Qty	Ply	2150 Camp Easter Road
J0223-0576	F8	Floor	3	1	Job Reference (optional)

Comtech, Inc., Fayetteville, NC 28309, James Naylor

Run: 8.430 s May 12 2021 Print: 8.430 s May 12 2021 MiTek Industries, Inc. Fri Mar 3 08:40:00 2023 Page 1
ID:3ZkAT1H?TWmBdJQ8I8CHLxz8j5Y-tsizSzV2K6N6mhFshupzu?JRRt4c6Zg9oI4vukzehzD



Scale: 3/4"=1'

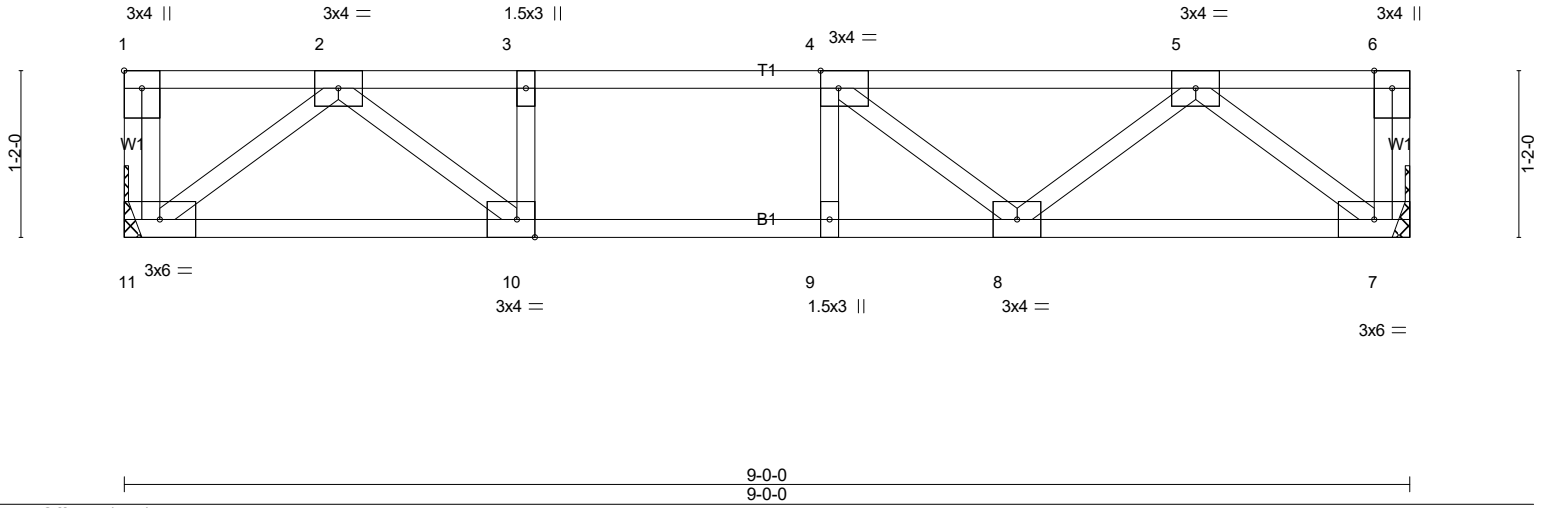


Plate Offsets (X,Y)-- [1:Edge,0-1-8], [4:0-1-8,Edge], [10:0-1-8,Edge]

LOADING (psf)	SPACING-	CSI.	DEFL.	in (loc)	l/defl	L/d	PLATES	GRIP
TCLL 40.0	2-0-0	TC 0.38	Vert(LL) -0.07	8-9	>999	480	MT20	244/190
TCDL 10.0	Plate Grip DOL 1.00	BC 0.47	Vert(CT) -0.09	8-9	>999	360		
BCLL 0.0	Lumber DOL 1.00	WB 0.26	Horz(CT) 0.01	7	n/a	n/a		
BCDL 5.0	Rep Stress Incr YES	Matrix-S						
	Code IRC2015/TPI2014						Weight: 46 lb	FT = 20%F, 11%E

LUMBER-
TOP CHORD 2x4 SP No.1(flat)
BOT CHORD 2x4 SP No.1(flat)
WEBS 2x4 SP No.3(flat)

BRACING-
TOP CHORD Structural wood sheathing directly applied or 6-0-0 oc purlins, except end verticals.
BOT CHORD Rigid ceiling directly applied or 10-0-0 oc bracing.

REACTIONS. (lb/size) 11=481/Mechanical, 7=481/Mechanical

FORCES. (lb) - Max. Comp./Max. Ten. - All forces 250 (lb) or less except when shown.
TOP CHORD 2-3=-964/0, 3-4=-964/0, 4-5=-812/0
BOT CHORD 10-11=0/549, 9-10=0/964, 8-9=0/964, 7-8=0/585
WEBS 5-7=-734/0, 5-8=0/296, 4-8=-258/0, 2-11=-689/0, 2-10=0/555

- NOTES-**
- 1) Unbalanced floor live loads have been considered for this design.
 - 2) Plates checked for a plus or minus 1 degree rotation about its center.
 - 3) Refer to girder(s) for truss to truss connections.
 - 4) This truss is designed in accordance with the 2015 International Residential Code sections R502.11.1 and R802.10.2 and referenced standard ANSI/TPI 1.
 - 5) Recommend 2x6 strongbacks, on edge, spaced at 10-0-0 oc and fastened to each truss with 3-10d (0.131" X 3") nails. Strongbacks to be attached to walls at their outer ends or restrained by other means.

LOAD CASE(S) Standard