

Trenco
818 Soundside Rd
Edenton, NC 27932

Re: Master
Clearwater French

The truss drawing(s) referenced below have been prepared by Truss Engineering Co. under my direct supervision based on the parameters provided by Builders FirstSource-Apex,NC.

Pages or sheets covered by this seal: I51769152 thru I51769183

My license renewal date for the state of North Carolina is December 31, 2022.

North Carolina COA: C-0844



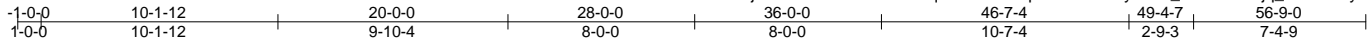
May 5,2022

Gilbert, Eric

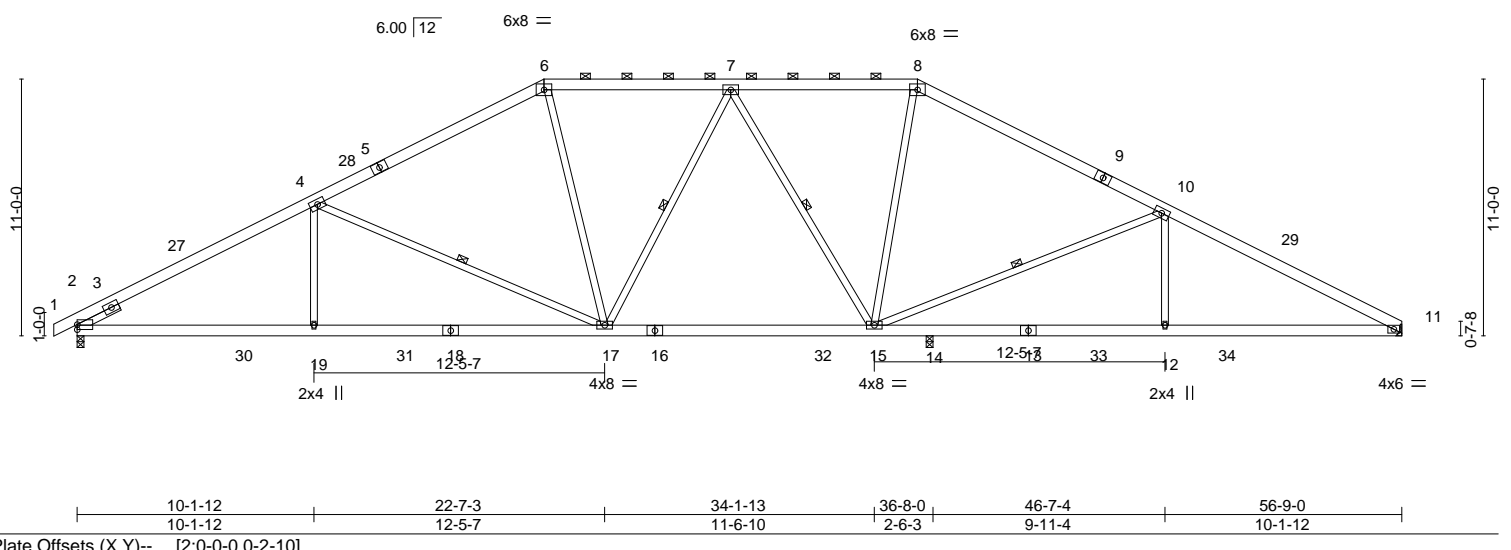
IMPORTANT NOTE: The seal on these truss component designs is a certification that the engineer named is licensed in the jurisdiction(s) identified and that the designs comply with ANSI/TPI 1. These designs are based upon parameters shown (e.g., loads, supports, dimensions, shapes and design codes), which were given to MiTek or TRENCO. Any project specific information included is for MiTek's or TRENCO's customers file reference purpose only, and was not taken into account in the preparation of these designs. MiTek or TRENCO has not independently verified the applicability of the design parameters or the designs for any particular building. Before use, the building designer should verify applicability of design parameters and properly incorporate these designs into the overall building design per ANSI/TPI 1, Chapter 2.

| | | | | | | |
|--------|-------|------------|-----|-----|-------------------|-----------|
| Job | Truss | Truss Type | Qty | Ply | Clearwater French | 151769152 |
| MASTER | A01 | HIP | 8 | 1 | | |

Builders FirstSource (Apex, NC), Apex, NC - 27523, 8.530 s Dec 6 2021 MiTek Industries, Inc. Thu May 5 08:36:47 2022 Page 1
 ID:jww8HilN90uFSTm7sxlQmezW8l3-4tpoc79fCkSMylcCM_zQQP7fdQjq_93UzRmyJPzJc0E



Scale = 1:98.7



| | | | | | | | | | |
|---------------|----------------------|-------|-----------|----------|----------|--------|------|----------------|----------|
| LOADING (psf) | SPACING- | 2-0-0 | CSI. | DEFL. | in (loc) | l/defl | L/d | PLATES | GRIP |
| TCLL 20.0 | Plate Grip DOL | 1.15 | TC 0.81 | Vert(LL) | -0.37 | 15-17 | >999 | MT20 | 244/190 |
| TCDL 10.0 | Lumber DOL | 1.15 | BC 0.63 | Vert(CT) | -0.65 | 15-17 | >679 | | |
| BCLL 0.0 * | Rep Stress Incr | YES | WB 0.76 | Horz(CT) | 0.11 | 11 | n/a | | |
| BCDL 10.0 | Code IRC2015/TP12014 | | Matrix-MS | Wind(LL) | 0.15 | 15-17 | >999 | | |
| | | | | | | | | Weight: 402 lb | FT = 20% |

| | |
|---------------------------------|--|
| LUMBER- | BRACING- |
| TOP CHORD 2x6 SP No.2 | TOP CHORD Structural wood sheathing directly applied or 2-3-7 oc purlins, except 2-0-0 oc purlins (4-7-2 max.): 6-8. |
| BOT CHORD 2x6 SP DSS | BOT CHORD Rigid ceiling directly applied or 10-0-0 oc bracing. |
| WEBS 2x4 SP No.3 *Except* | WEBS 1 Row at midpt 4-17, 7-17, 7-15, 10-15 |
| 4-17,10-15: 2x4 SP No.2 | |
| SLIDER Left 2x4 SP No.3 1-11-12 | |

REACTIONS. (size) 2=0-3-8, 11=Mechanical, 14=0-3-8
 Max Horz 2=143(LC 16)
 Max Uplift 2=-117(LC 12), 11=-116(LC 13)
 Max Grav 2=2024(LC 2), 11=1690(LC 2), 14=935(LC 1)

FORCES. (lb) - Max. Comp./Max. Ten. - All forces 250 (lb) or less except when shown.
 TOP CHORD 2-4=-3430/247, 4-6=-2553/290, 6-7=-2346/304, 7-8=-1900/304, 8-10=-2162/288, 10-11=-3053/255
 BOT CHORD 2-19=-204/2973, 17-19=-204/2973, 15-17=-55/2250, 14-15=-148/2654, 12-14=-148/2654, 11-12=-148/2654
 WEBS 4-19=0/386, 4-17=-894/184, 6-17=0/685, 7-17=-57/310, 7-15=-868/119, 8-15=-3/522, 10-15=-936/214, 10-12=0/308

- NOTES-**
- 1) Unbalanced roof live loads have been considered for this design.
 - 2) Wind: ASCE 7-10; Vult=115mph Vasd=91mph; TCDL=6.0psf; BCDL=6.0psf; h=32ft; Cat. II; Exp B; Enclosed; MWFRS (envelope) gable end zone and C-C Exterior(2) -1-0-0 to 4-8-2, Interior(1) 4-8-2 to 20-0-0, Exterior(2) 20-0-0 to 28-0-0, Interior(1) 28-0-0 to 36-0-0, Exterior(2) 36-0-0 to 44-0-5, Interior(1) 44-0-5 to 56-9-0 zone; cantilever left and right exposed; end vertical left and right exposed; C-C for members and forces & MWFRS for reactions shown; Lumber DOL=1.60 plate grip DOL=1.60
 - 3) Provide adequate drainage to prevent water ponding.
 - 4) All plates are 5x8 MT20 unless otherwise indicated.
 - 5) This truss has been designed for a 10.0 psf bottom chord live load nonconcurrent with any other live loads.
 - 6) * This truss has been designed for a live load of 20.0psf on the bottom chord in all areas where a rectangle 3-6-0 tall by 2-0-0 wide will fit between the bottom chord and any other members, with BCDL = 10.0psf.
 - 7) Refer to girder(s) for truss to truss connections.
 - 8) Provide mechanical connection (by others) of truss to bearing plate capable of withstanding 100 lb uplift at joint(s) except (jt=lb) 2=117, 11=116.
 - 9) Graphical purlin representation does not depict the size or the orientation of the purlin along the top and/or bottom chord.

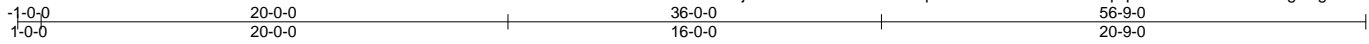


May 5, 2022

| | | | | | | |
|--------|-------|------------|-----|-----|--------------------------|-----------|
| Job | Truss | Truss Type | Qty | Ply | Clearwater French | 151769153 |
| MASTER | A01G | GABLE | 2 | 1 | Job Reference (optional) | |

Builders FirstSource (Apex, NC), Apex, NC - 27523, 8.530 s Dec 6 2021 MiTek Industries, Inc. Thu May 5 08:36:50 2022 Page 1

ID:jww8HiiN90uFSTm7sxLqmezW8I3-VSVxF8BXVfqwpDKn27W721IL7etdBgnwgP?cwkJc0B



Scale = 1:98.7

| | | | | | |
|-----------------------|--|-------------|----------------------------------|----------------|-------------|
| Plate Offsets (X,Y)-- | [13:0-4-0,0-3-8], [21:0-4-0,0-3-8], [54:0-5-0,0-4-8] | | | | |
| LOADING (psf) | SPACING- 2-0-0 | CSI. | DEFL. in (loc) l/defl L/d | PLATES | GRIP |
| TCLL 20.0 | Plate Grip DOL 1.15 | TC 0.09 | Vert(LL) -0.00 1 n/r 120 | MT20 | 244/190 |
| TCDL 10.0 | Lumber DOL 1.15 | BC 0.05 | Vert(CT) -0.00 1 n/r 120 | | |
| BCLL 0.0 * | Rep Stress Incr NO | WB 0.13 | Horz(CT) 0.01 32 n/a n/a | | |
| BCDL 10.0 | Code IRC2015/TPI2014 | Matrix-S | | Weight: 552 lb | FT = 20% |

| | |
|-----------------------|---|
| LUMBER- | BRACING- |
| TOP CHORD 2x6 SP No.2 | TOP CHORD Structural wood sheathing directly applied or 6-0-0 oc purlins, except end verticals, and 2-0-0 oc purlins (6-0-0 max.): 13-21. |
| BOT CHORD 2x6 SP No.2 | BOT CHORD Rigid ceiling directly applied or 10-0-0 oc bracing. |
| WEBS 2x4 SP No.2 | WEBS 1 Row at midpt 21-43, 20-44, 19-45, 18-46, 17-47, 16-48, 15-50, 14-51, 13-52, 12-53, 11-54, 22-42, 23-41 |
| OTHERS 2x4 SP No.3 | |

REACTIONS. All bearings 56-9-0.
 (lb) - Max Horz 62=134(LC 13)
 Max Uplift All uplift 100 lb or less at joint(s) 62, 44, 45, 46, 47, 48, 50, 51, 53, 54, 55, 56, 57, 58, 59, 60, 61, 42, 41, 39, 38, 37, 36, 35, 34, 33
 Max Grav All reactions 250 lb or less at joint(s) 62, 43, 44, 45, 46, 47, 48, 50, 51, 52, 53, 54, 55, 56, 57, 58, 59, 60, 61, 42, 41, 39, 38, 37, 36, 35, 34, 33, 32

FORCES. (lb) - Max. Comp./Max. Ten. - All forces 250 (lb) or less except when shown.
 TOP CHORD 11-12=-90/261, 12-13=-102/293, 13-14=-90/282, 14-15=-90/282, 15-16=-90/282, 16-17=-90/282, 17-18=-90/282, 18-19=-90/282, 19-20=-90/282, 20-21=-90/282, 21-22=-102/297, 22-23=-90/265

- NOTES-**
- Unbalanced roof live loads have been considered for this design.
 - Wind: ASCE 7-10; Vult=115mph Vasd=91mph; TCDL=6.0psf; BCDL=6.0psf; h=32ft; Cat. II; Exp B; Enclosed; MWFRS (envelope) gable end zone and C-C Corner(3) -1-0-0 to 4-8-2, Exterior(2) 4-8-2 to 20-0-0, Corner(3) 20-0-0 to 25-8-2, Exterior(2) 25-8-2 to 36-0-0, Corner(3) 36-0-0 to 41-8-2, Exterior(2) 41-8-2 to 56-9-0 zone; cantilever left and right exposed ; end vertical left and right exposed;C-C for members and forces & MWFRS for reactions shown; Lumber DOL=1.60 plate grip DOL=1.60
 - Truss designed for wind loads in the plane of the truss only. For studs exposed to wind (normal to the face), see Standard Industry Gable End Details as applicable, or consult qualified building designer as per ANSI/TPI 1.
 - Provide adequate drainage to prevent water ponding.
 - All plates are 2x4 MT20 unless otherwise indicated.
 - Gable requires continuous bottom chord bearing.
 - Gable studs spaced at 2-0-0 oc.
 - This truss has been designed for a 10.0 psf bottom chord live load nonconcurrent with any other live loads.
 - * This truss has been designed for a live load of 20.0psf on the bottom chord in all areas where a rectangle 3-6-0 tall by 2-0-0 wide will fit between the bottom chord and any other members.
 - Provide mechanical connection (by others) of truss to bearing plate capable of withstanding 100 lb uplift at joint(s) 62, 44, 45, 46, 47, 48, 50, 51, 53, 54, 55, 56, 57, 58, 59, 60, 61, 42, 41, 39, 38, 37, 36, 35, 34, 33.
 - Graphical purlin representation does not depict the size or the orientation of the purlin along the top and/or bottom chord.

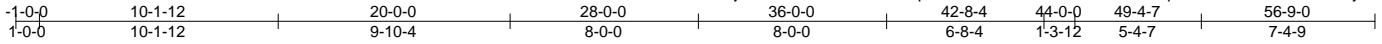


May 5, 2022

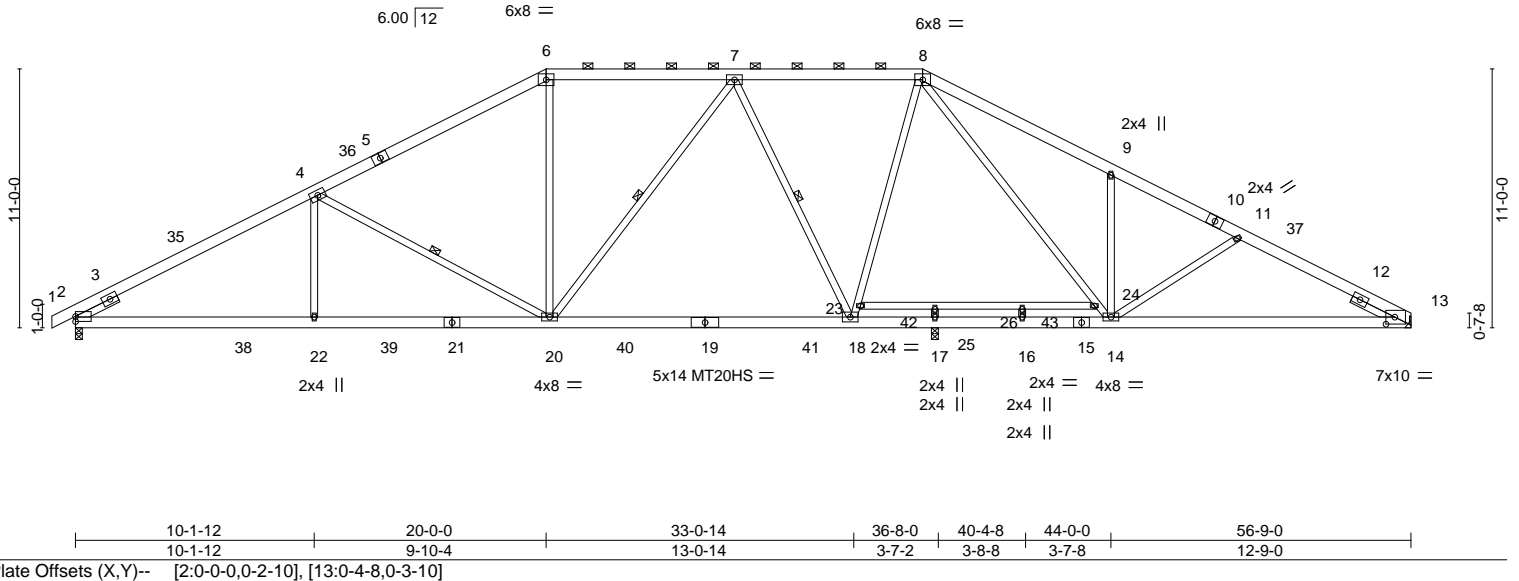
| | | | | | | |
|--------|-------|------------|-----|-----|--------------------------|-----------|
| Job | Truss | Truss Type | Qty | Ply | Clearwater French | 151769154 |
| MASTER | A01H | HIP | 6 | 1 | Job Reference (optional) | |

Builders FirstSource, Apex, NC 27523

8.530 s Dec 6 2021 MiTek Industries, Inc. Thu May 5 10:58:31 2022 Page 1
 ID:jww8HiiN90uFSTm7sxLqmezW8I3-RchnXbTrWkdLNoMrtqWuITKudR2LUDLCTUmyoVzJzXM



Scale = 1:97.9



| LOADING (psf) | SPACING- | CSI. | DEFL. | PLATES | GRIP |
|---------------|----------------------|-----------|-------------------------------|----------------|----------|
| TCLL 20.0 | 2-0-0 | TC 1.00 | in (loc) l/defl L/d | MT20 | 244/190 |
| TCDL 10.0 | Plate Grip DOL 1.15 | BC 0.95 | Vert(LL) -0.41 18-20 >999 360 | MT20HS | 187/143 |
| BCLL 0.0 * | Lumber DOL 1.15 | WB 0.89 | Vert(CT) -0.75 18-20 >582 240 | | |
| BCDL 10.0 | Rep Stress Incr NO | Matrix-MS | Horz(CT) 0.12 13 n/a n/a | | |
| | Code IRC2015/TPI2014 | | Wind(LL) 0.15 18-20 >999 240 | | |
| | | | | Weight: 430 lb | FT = 20% |

| LUMBER- | BRACING- |
|--|--|
| TOP CHORD 2x6 SP No.2 | TOP CHORD Structural wood sheathing directly applied, except |
| BOT CHORD 2x6 SP DSS *Except* | 2-0-0 oc purlins (4-6-1 max.): 6-8. |
| 13-15: 2x6 SP No.2 | BOT CHORD Rigid ceiling directly applied or 10-0-0 oc bracing. |
| WEBS 2x4 SP No.3 *Except* | WEBS 1 Row at midpt 4-20, 7-20, 7-18 |
| 7-20,8-14: 2x4 SP No.2 | |
| SLIDER Left 2x4 SP No.3 1-11-12, Right 2x4 SP No.3 1-11-12 | |

| REACTIONS. |
|---|
| (size) 2=0-3-8, 13=Mechanical, 17=0-3-8 |
| Max Horz 2=144(LC 16) |
| Max Uplift 2=-102(LC 12), 13=-86(LC 13), 17=-2(LC 13) |
| Max Grav 2=2087(LC 2), 13=1803(LC 1), 17=789(LC 2) |

| FORCES. |
|---|
| (lb) - Max. Comp./Max. Ten. - All forces 250 (lb) or less except when shown. |
| TOP CHORD 2-3=-1475/0, 3-35=-3533/183, 4-35=-3360/229, 4-36=-2838/210, 5-36=-2775/220, 5-6=-2725/258, 6-7=-2444/285, 7-8=-2203/260, 8-9=-2947/351, 9-10=-2772/214, 10-11=-2899/191, 11-37=-3116/227, 12-37=-3170/213, 12-13=-2471/5 |
| BOT CHORD 2-38=-186/3065, 22-38=-186/3065, 22-39=-186/3065, 21-39=-186/3065, 20-21=-186/3065, 20-40=-23/2420, 19-40=-23/2420, 19-41=-23/2420, 18-41=-23/2420, 17-18=0/2083, 16-17=0/2083, 15-16=0/2083, 14-15=0/2083, 13-14=-121/2835 |
| WEBS 4-22=0/293, 4-20=-750/199, 6-20=0/795, 7-18=-688/162, 18-23=-21/566, 8-23=-23/512, 11-14=-366/131, 8-24=-177/824, 14-24=-177/853, 9-14=-441/208 |

- NOTES-**
- 1) Unbalanced roof live loads have been considered for this design.
 - 2) Wind: ASCE 7-10; Vult=115mph Vasd=91mph; TC DL=6.0psf; BCDL=6.0psf; h=32ft; Cat. II; Exp B; Enclosed; MWFRS (envelope) gable end zone and C-C Exterior(2) -1-0-0 to 4-8-2, Interior(1) 4-8-2 to 20-0-0, Exterior(2) 20-0-0 to 28-0-0, Interior(1) 28-0-0 to 36-0-0, Exterior(2) 36-0-0 to 44-0-0, Interior(1) 44-0-0 to 56-7-8 zone; cantilever left and right exposed; end vertical left and right exposed; C-C for members and forces & MWFRS for reactions shown; Lumber DOL=1.60 plate grip DOL=1.60
 - 3) Provide adequate drainage to prevent water ponding.
 - 4) All plates are MT20 plates unless otherwise indicated.
 - 5) All plates are 5x8 MT20 unless otherwise indicated.
 - 6) This truss has been designed for a 10.0 psf bottom chord live load nonconcurrent with any other live loads.
 - 7) * This truss has been designed for a live load of 20.0psf on the bottom chord in all areas where a rectangle 3-6-0 tall by 2-0-0 wide will fit between the bottom chord and any other members, with BCDL = 10.0psf.
 - 8) Refer to girder(s) for truss to truss connections.
 - 9) Provide mechanical connection (by others) of truss to bearing plate capable of withstanding 102 lb uplift at joint 2, 86 lb uplift at joint 13 and 2 lb uplift at joint 17.
 - 10) This truss is designed in accordance with the 2015 International Residential Code sections R502.11.1 and R802.10.2 and referenced standard ANSI/TPI 1.
 - 11) N/A



Computer generated representation does not depict the size or the orientation of the purlin along the top and/or bottom chord.

WARNING - Verify design parameters and READ NOTES ON THIS AND INCLUDED MITEK REFERENCE PAGE MII-7473 rev. 5/19/2020 BEFORE USE.
 Design valid for use only with MiTek® connectors. This design is based only upon parameters shown, and is for an individual building component, not a truss system. Before use, the building designer must verify the applicability of design parameters and properly incorporate this design into the overall building design. Bracing indicated is to prevent buckling of individual truss web and/or chord members only. Additional temporary and permanent bracing is always required for stability and to prevent collapse with possible personal injury and property damage. For general guidance regarding the fabrication, storage, delivery, erection and bracing of trusses and truss systems, see **ANSI/TPI1 Quality Criteria, DSB-89 and BCSI Building Component Safety Information** available from Truss Plate Institute, 2670 Crain Highway, Suite 203 Waldorf, MD 20601

ENGINEERING BY
TRENCO
 A MiTek Affiliate
 818 Soundside Road
 Edenton, NC 27932

| | | | | | | |
|--------|-------|------------|-----|-----|--------------------------|-----------|
| Job | Truss | Truss Type | Qty | Ply | Clearwater French | IS1769154 |
| MASTER | A01H | HIP | 6 | 1 | Job Reference (optional) | |

Builders FirstSource, Apex, NC 27523

8.530 s Dec 6 2021 MiTek Industries, Inc. Thu May 5 10:58:31 2022 Page 2
ID:jww8HiiN90uFSTm7sxLqmezW8I3-RchnXbTrWkdLNoMrqtWuITKudR2LUDLCTUmyoVzJZxM

NOTES-

13) In the LOAD CASE(S) section, loads applied to the face of the truss are noted as front (F) or back (B).

LOAD CASE(S)

- 1) Dead + Roof Live (balanced): Lumber Increase=1.15, Plate Increase=1.15
Uniform Loads (plf)
Vert: 1-6=-60, 6-8=-60, 8-13=-60, 27-31=-20
- 2) Dead + 0.75 Roof Live (balanced) + 0.75 Uninhab. Attic Storage: Lumber Increase=1.15, Plate Increase=1.15
Uniform Loads (plf)
Vert: 1-6=-50, 6-8=-50, 8-13=-50, 27-38=-20, 38-39=-50, 39-40=-20, 40-41=-50, 31-41=-20, 42-43=-30(F)
- 3) Dead + Uninhabitable Attic Without Storage: Lumber Increase=1.25, Plate Increase=1.25
Uniform Loads (plf)
Vert: 1-6=-20, 6-8=-20, 8-13=-20, 27-31=-40, 42-43=-40(F)
- 4) Dead + 0.6 C-C Wind (Pos. Internal) Case 1: Lumber Increase=1.60, Plate Increase=1.60
Uniform Loads (plf)
Vert: 1-2=42, 2-35=22, 6-35=12, 6-7=20, 7-8=15, 8-9=22, 9-13=12, 27-31=-12
Horz: 1-2=-54, 2-35=-34, 6-35=-24, 8-9=34, 9-13=24
- 5) Dead + 0.6 C-C Wind (Pos. Internal) Case 2: Lumber Increase=1.60, Plate Increase=1.60
Uniform Loads (plf)
Vert: 1-2=8, 2-36=12, 6-36=22, 6-7=15, 7-8=20, 8-37=12, 13-37=22, 27-31=-12
Horz: 1-2=-20, 2-36=-24, 6-36=-34, 8-37=24, 13-37=34
- 6) Dead + 0.6 C-C Wind (Neg. Internal) Case 1: Lumber Increase=1.60, Plate Increase=1.60
Uniform Loads (plf)
Vert: 1-2=-13, 2-6=-32, 6-8=-29, 8-13=-32, 27-31=-20
Horz: 1-2=-7, 2-6=12, 8-13=-12
- 7) Dead + 0.6 C-C Wind (Neg. Internal) Case 2: Lumber Increase=1.60, Plate Increase=1.60
Uniform Loads (plf)
Vert: 1-2=-27, 2-6=-32, 6-8=-29, 8-13=-32, 27-31=-20
Horz: 1-2=7, 2-6=12, 8-13=-12
- 8) Dead + 0.6 MWFRS Wind (Pos. Internal) Left: Lumber Increase=1.60, Plate Increase=1.60
Uniform Loads (plf)
Vert: 1-2=7, 2-6=-3, 6-8=19, 8-13=7, 27-31=-12
Horz: 1-2=-19, 2-6=-9, 8-13=19
- 9) Dead + 0.6 MWFRS Wind (Pos. Internal) Right: Lumber Increase=1.60, Plate Increase=1.60
Uniform Loads (plf)
Vert: 1-2=2, 2-6=7, 6-8=19, 8-13=-3, 27-31=-12
Horz: 1-2=-14, 2-6=-19, 8-13=9
- 10) Dead + 0.6 MWFRS Wind (Neg. Internal) Left: Lumber Increase=1.60, Plate Increase=1.60
Uniform Loads (plf)
Vert: 1-2=-15, 2-6=-20, 6-8=2, 8-13=-10, 27-31=-20
Horz: 1-2=-5, 2-6=0, 8-13=10
- 11) Dead + 0.6 MWFRS Wind (Neg. Internal) Right: Lumber Increase=1.60, Plate Increase=1.60
Uniform Loads (plf)
Vert: 1-2=-6, 2-6=-10, 6-8=2, 8-13=-20, 27-31=-20
Horz: 1-2=-14, 2-6=-10, 8-13=0
- 12) Dead + 0.6 MWFRS Wind (Pos. Internal) 1st Parallel: Lumber Increase=1.60, Plate Increase=1.60
Uniform Loads (plf)
Vert: 1-2=14, 2-6=19, 6-7=19, 7-8=5, 8-13=5, 27-31=-12
Horz: 1-2=-26, 2-6=-31, 8-13=17
- 13) Dead + 0.6 MWFRS Wind (Pos. Internal) 2nd Parallel: Lumber Increase=1.60, Plate Increase=1.60
Uniform Loads (plf)
Vert: 1-2=1, 2-6=5, 6-7=5, 7-8=19, 8-13=19, 27-31=-12
Horz: 1-2=-13, 2-6=-17, 8-13=31
- 14) Dead + 0.6 MWFRS Wind (Pos. Internal) 3rd Parallel: Lumber Increase=1.60, Plate Increase=1.60
Uniform Loads (plf)
Vert: 1-2=5, 2-6=9, 6-7=9, 7-8=2, 8-13=2, 27-31=-12
Horz: 1-2=-17, 2-6=-21, 8-13=14
- 15) Dead + 0.6 MWFRS Wind (Pos. Internal) 4th Parallel: Lumber Increase=1.60, Plate Increase=1.60
Uniform Loads (plf)
Vert: 1-2=-3, 2-6=2, 6-7=2, 7-8=9, 8-13=9, 27-31=-12
Horz: 1-2=-9, 2-6=-14, 8-13=21
- 16) Dead + 0.6 MWFRS Wind (Neg. Internal) 1st Parallel: Lumber Increase=1.60, Plate Increase=1.60
Uniform Loads (plf)
Vert: 1-2=6, 2-6=2, 6-7=2, 7-8=-11, 8-13=-11, 27-31=-20
Horz: 1-2=-26, 2-6=-22, 8-13=9
- 17) Dead + 0.6 MWFRS Wind (Neg. Internal) 2nd Parallel: Lumber Increase=1.60, Plate Increase=1.60
Uniform Loads (plf)
Vert: 1-2=-7, 2-6=-11, 6-7=-11, 7-8=2, 8-13=2, 27-31=-20
Horz: 1-2=-13, 2-6=-9, 8-13=22
- 18) Dead + Uninhabitable Attic Storage: Lumber Increase=1.25, Plate Increase=1.25
Uniform Loads (plf)
Vert: 1-6=-20, 6-8=-20, 8-13=-20, 27-38=-20, 38-39=-60, 39-40=-20, 40-41=-60, 31-41=-20, 42-43=-40(F)
- 19) Dead + 0.75 Roof Live (bal.) + 0.75 Uninhab. Attic Storage + 0.75(0.6 MWFRS Wind (Neg. Int) Left): Lumber Increase=1.60, Plate Increase=1.60
Uniform Loads (plf)
Vert: 1-2=-46, 2-6=-50, 6-8=-34, 8-13=-43, 27-38=-20, 38-39=-50, 39-40=-20, 40-41=-50, 31-41=-20, 42-43=-30(F)
Horz: 1-2=-4, 2-6=0, 8-13=7

Continued on page 3

WARNING - Verify design parameters and READ NOTES ON THIS AND INCLUDED MITEK REFERENCE PAGE MII-7473 rev. 5/19/2020 BEFORE USE.

Design valid for use only with MiTek® connectors. This design is based only upon parameters shown, and is for an individual building component, not a truss system. Before use, the building designer must verify the applicability of design parameters and properly incorporate this design into the overall building design. Bracing indicated is to prevent buckling of individual truss web and/or chord members only. Additional temporary and permanent bracing is always required for stability and to prevent collapse with possible personal injury and property damage. For general guidance regarding the fabrication, storage, delivery, erection and bracing of trusses and truss systems, see **ANSI/TPI1 Quality Criteria, DSB-89 and BCSI Building Component Safety Information** available from Truss Plate Institute, 2670 Crain Highway, Suite 203 Waldorf, MD 20601



818 Soundside Road
Edenton, NC 27932

| | | | | | | |
|--------|-------|------------|-----|-----|--------------------------|-----------|
| Job | Truss | Truss Type | Qty | Ply | Clearwater French | IS1769154 |
| MASTER | A01H | HIP | 6 | 1 | Job Reference (optional) | |

Builders FirstSource, Apex, NC 27523

8.530 s Dec 6 2021 MiTek Industries, Inc. Thu May 5 10:58:31 2022 Page 3
 ID:jww8HiiN90uFSTm7sxLqmezW8I3-RchnXbTrWkdLNoMrtqWuTKudR2LUDLCTUmyoVzJZxM

LOAD CASE(S)

- 20) Dead + 0.75 Roof Live (bal.) + 0.75 Uninhab. Attic Storage + 0.75(0.6 MWFRS Wind (Neg. Int) Right): Lumber Increase=1.60, Plate Increase=1.60
 Uniform Loads (plf)
 Vert: 1-2=-39, 2-6=-43, 6-8=-34, 8-13=-50, 27-38=-20, 38-39=-50, 39-40=-20, 40-41=-50, 31-41=-20, 42-43=-30(F)
 Horz: 1-2=-11, 2-6=-7, 8-13=0
- 21) Dead + 0.75 Roof Live (bal.) + 0.75 Uninhab. Attic Storage + 0.75(0.6 MWFRS Wind (Neg. Int) 1st Parallel): Lumber Increase=1.60, Plate Increase=1.60
 Uniform Loads (plf)
 Vert: 1-2=-30, 2-6=-34, 6-7=-34, 7-8=-44, 8-13=-44, 27-38=-20, 38-39=-50, 39-40=-20, 40-41=-50, 31-41=-20, 42-43=-30(F)
 Horz: 1-2=-20, 2-6=-16, 8-13=6
- 22) Dead + 0.75 Roof Live (bal.) + 0.75 Uninhab. Attic Storage + 0.75(0.6 MWFRS Wind (Neg. Int) 2nd Parallel): Lumber Increase=1.60, Plate Increase=1.60
 Uniform Loads (plf)
 Vert: 1-2=-40, 2-6=-44, 6-7=-44, 7-8=-34, 8-13=-34, 27-38=-20, 38-39=-50, 39-40=-20, 40-41=-50, 31-41=-20, 42-43=-30(F)
 Horz: 1-2=-10, 2-6=-6, 8-13=16
- 23) 1st Dead + Roof Live (unbalanced): Lumber Increase=1.15, Plate Increase=1.15
 Uniform Loads (plf)
 Vert: 1-6=-60, 6-8=-60, 8-13=-20, 27-31=-20
- 24) 2nd Dead + Roof Live (unbalanced): Lumber Increase=1.15, Plate Increase=1.15
 Uniform Loads (plf)
 Vert: 1-6=-20, 6-8=-60, 8-13=-60, 27-31=-20
- 25) 3rd Dead + 0.75 Roof Live (unbalanced) + 0.75 Uninhab. Attic Storage: Lumber Increase=1.15, Plate Increase=1.15
 Uniform Loads (plf)
 Vert: 1-6=-50, 6-8=-50, 8-13=-20, 27-38=-20, 38-39=-50, 39-40=-20, 40-41=-50, 31-41=-20, 42-43=-30(F)
- 26) 4th Dead + 0.75 Roof Live (unbalanced) + 0.75 Uninhab. Attic Storage: Lumber Increase=1.15, Plate Increase=1.15
 Uniform Loads (plf)
 Vert: 1-6=-20, 6-8=-50, 8-13=-50, 27-38=-20, 38-39=-50, 39-40=-20, 40-41=-50, 31-41=-20, 42-43=-30(F)

WARNING - Verify design parameters and READ NOTES ON THIS AND INCLUDED MITEK REFERENCE PAGE MII-7473 rev. 5/19/2020 BEFORE USE.

Design valid for use only with MiTek® connectors. This design is based only upon parameters shown, and is for an individual building component, not a truss system. Before use, the building designer must verify the applicability of design parameters and properly incorporate this design into the overall building design. Bracing indicated is to prevent buckling of individual truss web and/or chord members only. Additional temporary and permanent bracing is always required for stability and to prevent collapse with possible personal injury and property damage. For general guidance regarding the fabrication, storage, delivery, erection and bracing of trusses and truss systems, see **ANSI/TPI1 Quality Criteria, DSB-89 and BCSI Building Component Safety Information** available from Truss Plate Institute, 2670 Crain Highway, Suite 203 Waldorf, MD 20601

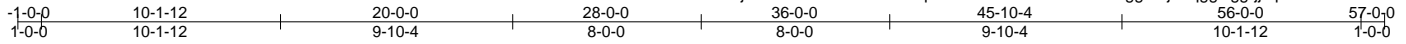


818 Soundside Road
 Edenton, NC 27932

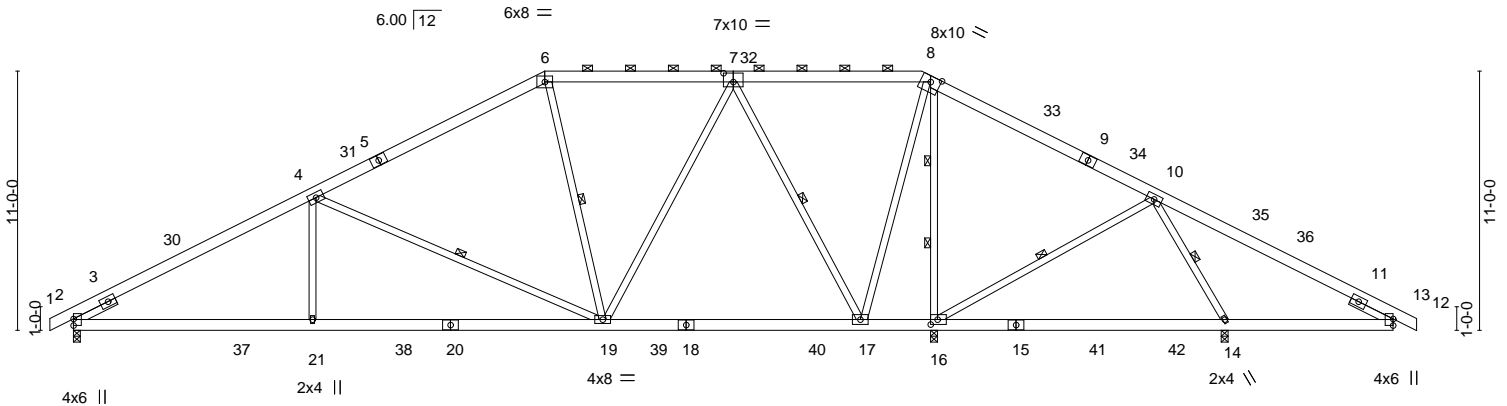
| | | | | | | |
|--------|-------|------------|-----|-----|-------------------|-----------|
| Job | Truss | Truss Type | Qty | Ply | Clearwater French | 151769155 |
| MASTER | A02 | HIP | 4 | 1 | | |

Builders FirstSource (Apex, NC), Apex, NC - 27523, 8.530 s Dec 6 2021 MiTek Industries, Inc. Thu May 5 08:36:53 2022 Page 1

ID:jww8HiiN90uFSTm7sxLqmezW8I3-v1A4tADQoaDVgg3MjF4qggNggrijOpLNMNDGX3zJc08



Scale = 1:97.8



| | |
|-----------------------|-----------------------------------|
| Plate Offsets (X,Y)-- | [7:0-5-0,0-4-8], [16:0-3-8,0-2-8] |
|-----------------------|-----------------------------------|

| LOADING (psf) | SPACING- | CSI. | DEFL. | PLATES | GRIP |
|---------------|----------------------|-----------|-------------------------------|----------------|----------|
| TCLL 20.0 | 2-0-0 | TC 0.84 | in (loc) l/defl L/d | MT20 | 244/190 |
| TCDL 10.0 | Plate Grip DOL 1.15 | BC 0.79 | Vert(LL) -0.18 17-19 >999 360 | | |
| BCLL 0.0 * | Lumber DOL 1.15 | WB 0.97 | Vert(CT) -0.31 19-21 >999 240 | | |
| BCDL 10.0 | Rep Stress Incr NO | Matrix-MS | Horz(CT) 0.05 14 n/a n/a | | |
| | Code IRC2015/TP12014 | | Wind(LL) -0.05 14-16 >999 240 | Weight: 416 lb | FT = 20% |

| LUMBER- | BRACING- |
|--|--|
| TOP CHORD 2x6 SP No.2 *Except* 8-9,1-5,9-13: 2x6 SP DSS | TOP CHORD Structural wood sheathing directly applied or 5-7-12 oc purlins, except 2-0-0 oc purlins (6-0-0 max.): 6-8. |
| BOT CHORD 2x6 SP No.2 | BOT CHORD Rigid ceiling directly applied or 6-0-0 oc bracing. |
| WEBS 2x4 SP No.3 *Except* 4-19,10-16: 2x4 SP No.2 | WEBS 1 Row at midpt 4-19, 6-19, 7-17, 10-16, 10-14 2 Rows at 1/3 pts 8-16 |
| SLIDER Left 2x4 SP No.3 1-11-12, Right 2x4 SP No.3 1-11-12 | |

REACTIONS. (size) 2=0-3-8, 16=0-3-8, 14=0-3-8
 Max Horz 2=140(LC 16)
 Max Uplift 2=-70(LC 12), 14=-239(LC 13)
 Max Grav 2=1378(LC 23), 16=2961(LC 1), 14=2151(LC 24)

FORCES. (lb) - Max. Comp./Max. Ten. - All forces 250 (lb) or less except when shown.
 TOP CHORD 2-4=-2155/124, 4-6=-1163/165, 6-7=-943/168, 8-10=-80/782, 10-12=-357/1132
 BOT CHORD 2-21=-124/1845, 19-21=-124/1845, 17-19=-23/572, 16-17=-491/223, 14-16=-57/432,
 12-14=-593/399
 WEBS 4-21=0/438, 4-19=-1018/199, 7-19=-5/873, 7-17=-1366/157, 8-17=-100/1421,
 10-16=-1043/207, 8-16=-2209/234, 10-14=-2091/535

- NOTES-**
- 1) Unbalanced roof live loads have been considered for this design.
 - 2) Wind: ASCE 7-10; Vult=115mph Vasd=91mph; TCDL=6.0psf; BCDL=6.0psf; h=32ft; Cat. II; Exp B; Enclosed; MWFRS (envelope) gable end zone and C-C Exterior(2) -1-0-0 to 4-7-3, Interior(1) 4-7-3 to 20-0-0, Exterior(2) 20-0-0 to 28-0-0, Interior(1) 28-0-0 to 36-4-8, Exterior(2) 36-4-8 to 44-3-9, Interior(1) 44-3-9 to 57-0-0 zone; cantilever left and right exposed; end vertical left and right exposed; C-C for members and forces & MWFRS for reactions shown; Lumber DOL=1.60 plate grip DOL=1.60
 - 3) Provide adequate drainage to prevent water ponding.
 - 4) All plates are 5x8 MT20 unless otherwise indicated.
 - 5) This truss has been designed for a 10.0 psf bottom chord live load nonconcurrent with any other live loads.
 - 6) * This truss has been designed for a live load of 20.0psf on the bottom chord in all areas where a rectangle 3-6-0 tall by 2-0-0 wide will fit between the bottom chord and any other members, with BCDL = 10.0psf.
 - 7) Provide mechanical connection (by others) of truss to bearing plate capable of withstanding 100 lb uplift at joint(s) 2 except (jt=lb) 14=239.
 - 8) Graphical purlin representation does not depict the size or the orientation of the purlin along the top and/or bottom chord.
 - 9) In the LOAD CASE(S) section, loads applied to the face of the truss are noted as front (F) or back (B).

LOAD CASE(S) Standard
 1) Dead + Roof Live (balanced): Lumber Increase=1.15, Plate Increase=1.15
 Uniform Loads (plf)
 Vert: 1-6=-60, 6-8=-60, 8-33=-60, 33-35=-260(F=-200), 13-35=-60, 22-26=-20



May 5, 2022

| | | | | | | |
|--------|-------|------------|-----|-----|-------------------|-----------|
| Job | Truss | Truss Type | Qty | Ply | Clearwater French | 151769156 |
| MASTER | A03 | HIP | 1 | 1 | | |

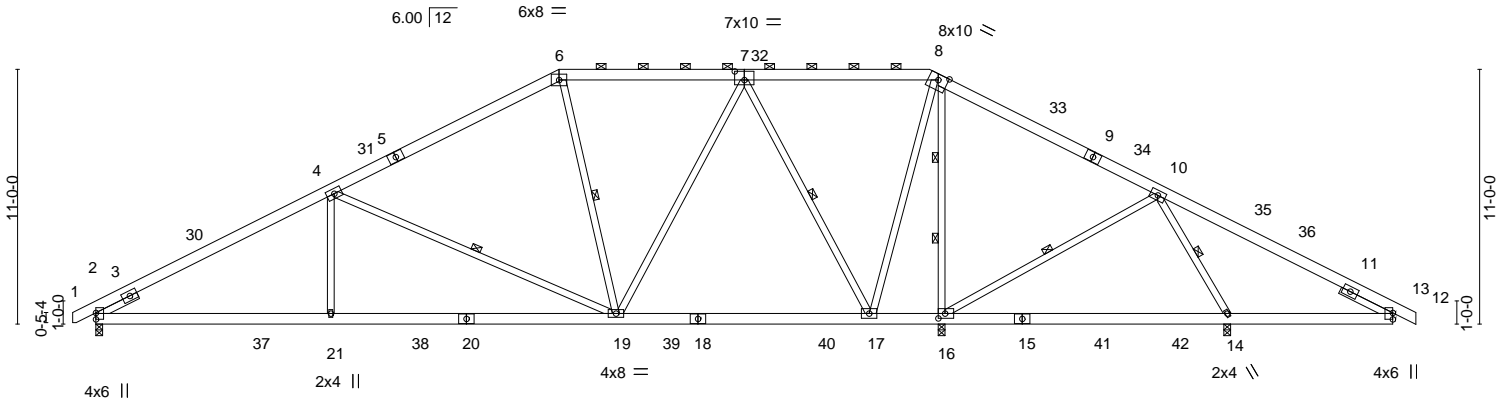
Builders FirstSource (Apex, NC), Apex, NC - 27523,

8.530 s Dec 6 2021 MiTek Industries, Inc. Thu May 5 08:36:55 2022 Page 1

ID:jww8HilN90uFSTm7sxlqmezW8l3-rQlqlsFgJCTDv_Dlqg6ll5S0AfPBsjrfphiNbyzJc06

| | | | | | | | |
|-------|---------|--------|--------|--------|---------|---------|--------|
| 1-0-0 | 10-1-12 | 20-0-0 | 28-0-0 | 36-0-0 | 45-10-4 | 56-0-0 | 57-0-0 |
| 1-0-0 | 10-1-12 | 9-10-4 | 8-0-0 | 8-0-0 | 9-10-4 | 10-1-12 | 1-0-0 |

Scale = 1:99.5



| | |
|-----------------------|-----------------------------------|
| Plate Offsets (X,Y)-- | [7:0-5-0,0-4-8], [16:0-3-8,0-2-8] |
|-----------------------|-----------------------------------|

| LOADING (psf) | SPACING- | CSI. | DEFL. | PLATES | GRIP |
|---------------|----------------------|-----------|-------------------------------|----------------|----------|
| TCLL 20.0 | 2-0-0 | TC 0.84 | in (loc) l/defl L/d | MT20 | 244/190 |
| TCDL 10.0 | Plate Grip DOL 1.15 | BC 0.79 | Vert(LL) -0.18 17-19 >999 360 | | |
| BCLL 0.0 * | Lumber DOL 1.15 | WB 0.97 | Vert(CT) -0.31 19-21 >999 240 | | |
| BCDL 10.0 | Rep Stress Incr NO | Matrix-MS | Horz(CT) 0.05 14 n/a n/a | | |
| | Code IRC2015/TP12014 | | Wind(LL) -0.05 14-16 >999 240 | | |
| | | | | Weight: 417 lb | FT = 20% |

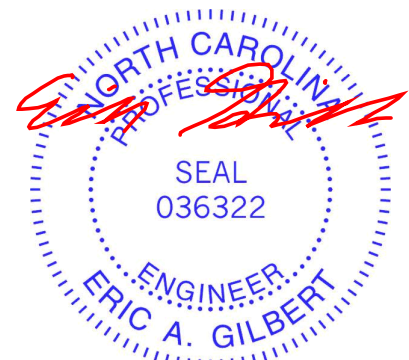
| LUMBER- | BRACING- |
|--|---|
| TOP CHORD 2x6 SP No.2 *Except* 8-9,1-5,9-13: 2x6 SP DSS | TOP CHORD Structural wood sheathing directly applied or 5-7-12 oc purlins, except |
| BOT CHORD 2x6 SP No.2 | 2-0-0 oc purlins (6-0-0 max.): 6-8. |
| WEBS 2x4 SP No.3 *Except* 4-19,10-16: 2x4 SP No.2 | BOT CHORD Rigid ceiling directly applied or 6-0-0 oc bracing. |
| SLIDER Left 2x4 SP No.3 1-11-12, Right 2x4 SP No.3 2-5-12 | WEBS 1 Row at midpt 4-19, 6-19, 7-17, 10-16, 10-14 2 Rows at 1/3 pts 8-16 |

REACTIONS. (size) 2=0-3-8, 16=0-3-8, 14=0-3-8
 Max Horz 2=-139(LC 13)
 Max Uplift 2=-69(LC 12), 14=-239(LC 13)
 Max Grav 2=1374(LC 25), 16=2961(LC 1), 14=2151(LC 24)

FORCES. (lb) - Max. Comp./Max. Ten. - All forces 250 (lb) or less except when shown.
 TOP CHORD 2-4=-2156/124, 4-6=-1164/165, 6-7=-943/168, 8-10=-80/781, 10-12=-352/1133
 BOT CHORD 2-21=-124/1846, 19-21=-124/1846, 17-19=-23/572, 16-17=-490/223, 14-16=-57/432,
 12-14=-594/399
 WEBS 4-21=0/438, 4-19=-1018/199, 7-19=-5/873, 7-17=-1366/157, 8-17=-100/1421,
 10-16=-1043/207, 8-16=-2208/234, 10-14=-2092/536

- NOTES-**
- 1) Unbalanced roof live loads have been considered for this design.
 - 2) Wind: ASCE 7-10; Vult=115mph Vasd=91mph; TCDL=6.0psf; BCDL=6.0psf; h=32ft; Cat. II; Exp B; Enclosed; MWFRS (envelope) gable end zone and C-C Exterior(2) -0-11-2 to 4-8-2, Interior(1) 4-8-2 to 20-0-0, Exterior(2) 20-0-0 to 28-0-0, Interior(1) 28-0-0 to 36-4-8, Exterior(2) 36-4-8 to 44-3-9, Interior(1) 44-3-9 to 57-0-0 zone; cantilever left and right exposed; end vertical left and right exposed; C-C for members and forces & MWFRS for reactions shown; Lumber DOL=1.60 plate grip DOL=1.60
 - 3) Provide adequate drainage to prevent water ponding.
 - 4) All plates are 5x8 MT20 unless otherwise indicated.
 - 5) This truss has been designed for a 10.0 psf bottom chord live load nonconcurrent with any other live loads.
 - 6) * This truss has been designed for a live load of 20.0psf on the bottom chord in all areas where a rectangle 3-6-0 tall by 2-0-0 wide will fit between the bottom chord and any other members, with BCDL = 10.0psf.
 - 7) Provide mechanical connection (by others) of truss to bearing plate capable of withstanding 100 lb uplift at joint(s) 2 except (jt=lb) 14=239.
 - 8) Graphical purlin representation does not depict the size or the orientation of the purlin along the top and/or bottom chord.
 - 9) In the LOAD CASE(S) section, loads applied to the face of the truss are noted as front (F) or back (B).

LOAD CASE(S) Standard
 1) Dead + Roof Live (balanced): Lumber Increase=1.15, Plate Increase=1.15
 Uniform Loads (plf)
 Vert: 1-6=-60, 6-8=-60, 8-33=-60, 33-35=-260(F=-200), 13-35=-60, 22-26=-20



May 5, 2022

WARNING - Verify design parameters and READ NOTES ON THIS AND INCLUDED MITEK REFERENCE PAGE MII-7473 rev. 5/19/2020 BEFORE USE.
 Design valid for use only with MiTek® connectors. This design is based only upon parameters shown, and is for an individual building component, not a truss system. Before use, the building designer must verify the applicability of design parameters and properly incorporate this design into the overall building design. Bracing indicated is to prevent buckling of individual truss web and/or chord members only. Additional temporary and permanent bracing is always required for stability and to prevent collapse with possible personal injury and property damage. For general guidance regarding the fabrication, storage, delivery, erection and bracing of trusses and truss systems, see **ANSI/TPI1 Quality Criteria, DSB-89 and BCSI Building Component Safety Information** available from Truss Plate Institute, 2670 Crain Highway, Suite 203 Waldorf, MD 20601

ENGINEERING BY
TRENCO
 A MiTek Affiliate
 818 Soundside Road
 Edenton, NC 27932

| | | | | | | |
|--------|-------|------------|-----|-----|-------------------|-----------|
| Job | Truss | Truss Type | Qty | Ply | Clearwater French | 151769157 |
| MASTER | A04 | HIP | 5 | 1 | | |

Builders FirstSource (Apex, NC), Apex, NC - 27523,

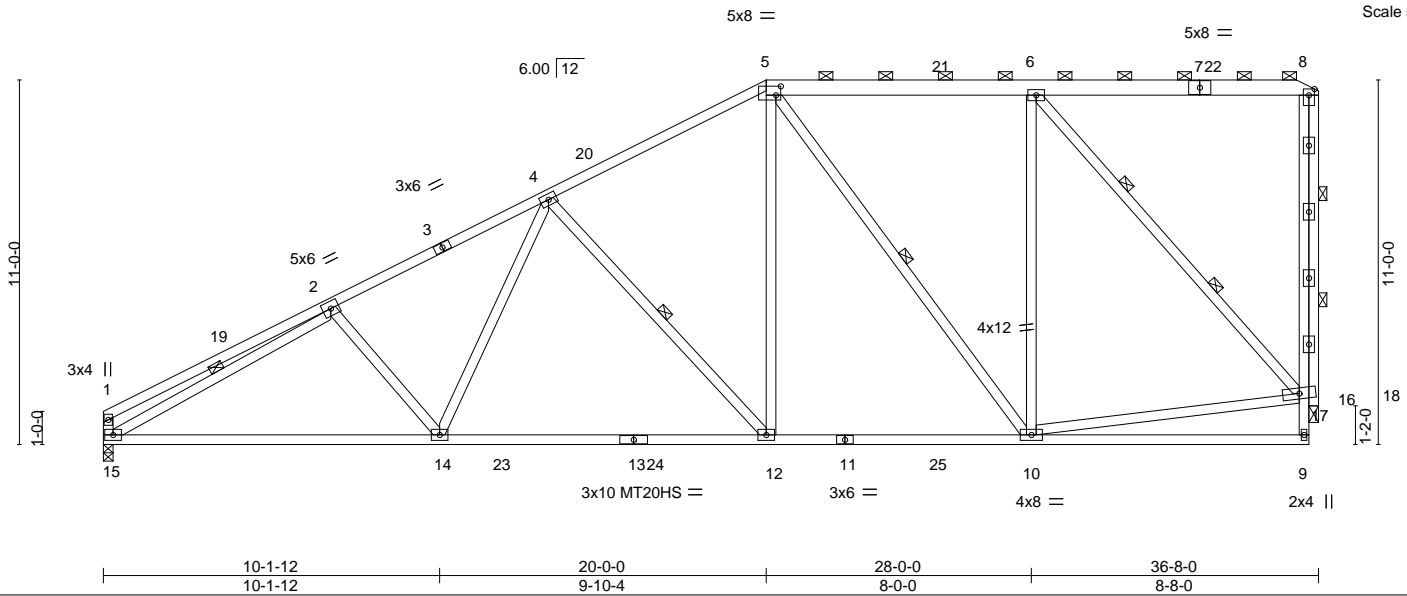
8.530 s Dec 6 2021 MiTek Industries, Inc. Thu May 5 08:36:56 2022 Page 1

ID:jww8HilN9ouFSTm7sxLqmezW8I3-JcsCVCGI4Vb4X8oxONDxHI?Fi2kJbDyp2LSw8OzJc05

Job Reference (optional)



Scale = 1:69.5



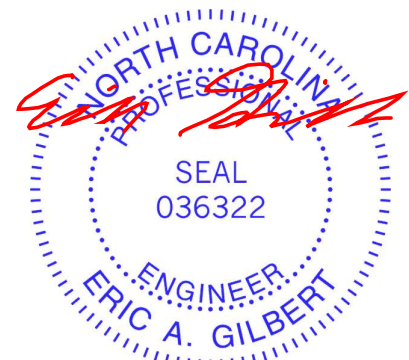
| | | | | | | |
|-----------------------|----------------------|-------|-------------|--------------|-------------|-------------------------|
| Plate Offsets (X,Y)-- | [5:0-1-12,0-3-4] | | | | | |
| LOADING (psf) | SPACING- | 2-0-0 | CSI. | DEFL. | in (loc) | l/defl |
| TCLL 20.0 | Plate Grip DOL | 1.15 | TC 0.60 | Vert(LL) | -0.30 12-14 | >999 360 |
| TCDL 10.0 | Lumber DOL | 1.15 | BC 0.80 | Vert(CT) | -0.52 12-14 | >836 240 |
| BCLL 0.0 * | Rep Stress Incr | YES | WB 0.79 | Horz(CT) | 0.07 18 | n/a n/a |
| BCDL 10.0 | Code IRC2015/TPI2014 | | Matrix-MS | Wind(LL) | 0.08 12-14 | >999 240 |
| | | | | | | PLATES |
| | | | | | | MT20 244/190 |
| | | | | | | MT20HS 187/143 |
| | | | | | | Weight: 280 lb FT = 20% |

| | |
|--|---|
| LUMBER- | BRACING- |
| TOP CHORD 2x4 SP No.2 *Except* 5-7,7-8: 2x6 SP No.2 | TOP CHORD Structural wood sheathing directly applied or 3-7-1 oc purlins, except end verticals, and 2-0-0 oc purlins (6-0-0 max.): 5-8. |
| BOT CHORD 2x4 SP No.1 *Except* 9-11: 2x4 SP No.2 | BOT CHORD Rigid ceiling directly applied or 10-0-0 oc bracing, Except: 6-0-0 oc bracing: 9-10. |
| WEBS 2x4 SP No.3 *Except* 5-10,8-17: 2x4 SP No.2 | WEBS 1 Row at midpt 2-15, 4-12, 5-10 2 Rows at 1/3 pts 6-16, 8-18 |

| | |
|-------------------|--|
| REACTIONS. | (size) 15=0-3-8, 18=0-3-8 Max Horz 15=297(LC 12) Max Uplift 15=-26(LC 12), 18=-86(LC 9) Max Grav 15=1455(LC 1), 18=1432(LC 1) |
|-------------------|--|

| | |
|----------------|--|
| FORCES. | (lb) - Max. Comp./Max. Ten. - All forces 250 (lb) or less except when shown. |
| TOP CHORD | 1-15=-357/85, 1-2=-461/71, 2-4=-2172/68, 4-5=-1523/100, 5-6=-955/80 |
| BOT CHORD | 14-15=-303/1970, 12-14=-200/1701, 10-12=-125/1302 |
| WEBS | 2-15=-1965/4, 4-14=0/477, 4-12=-652/170, 5-12=-25/812, 5-10=-600/105, 6-10=0/557, 8-16=-57/1235, 6-16=-1337/112, 10-16=-73/947, 8-18=-1433/119 |

- NOTES-**
- Unbalanced roof live loads have been considered for this design.
 - Wind: ASCE 7-10; Vult=115mph Vasd=91mph; TCDL=6.0psf; BCDL=6.0psf; h=32ft; Cat. II; Exp B; Enclosed; MWFRS (envelope) gable end zone and C-C Exterior(2) 0-1-12 to 3-9-10, Interior(1) 3-9-10 to 20-0-0, Exterior(2) 20-0-0 to 25-2-0, Interior(1) 25-2-0 to 36-2-12 zone; cantilever left and right exposed ; end vertical left and right exposed;C-C for members and forces & MWFRS for reactions shown; Lumber DOL=1.60 plate grip DOL=1.60
 - Provide adequate drainage to prevent water ponding.
 - All plates are MT20 plates unless otherwise indicated.
 - All plates are 4x6 MT20 unless otherwise indicated.
 - This truss has been designed for a 10.0 psf bottom chord live load nonconcurrent with any other live loads.
 - * This truss has been designed for a live load of 20.0psf on the bottom chord in all areas where a rectangle 3-6-0 tall by 2-0-0 wide will fit between the bottom chord and any other members, with BCDL = 10.0psf.
 - Bearing at joint(s) 18 considers parallel to grain value using ANS/TPI 1 angle to grain formula. Building designer should verify capacity of bearing surface.
 - Provide mechanical connection (by others) of truss to bearing plate capable of withstanding 100 lb uplift at joint(s) 15, 18.
 - Graphical purlin representation does not depict the size or the orientation of the purlin along the top and/or bottom chord.



May 5, 2022

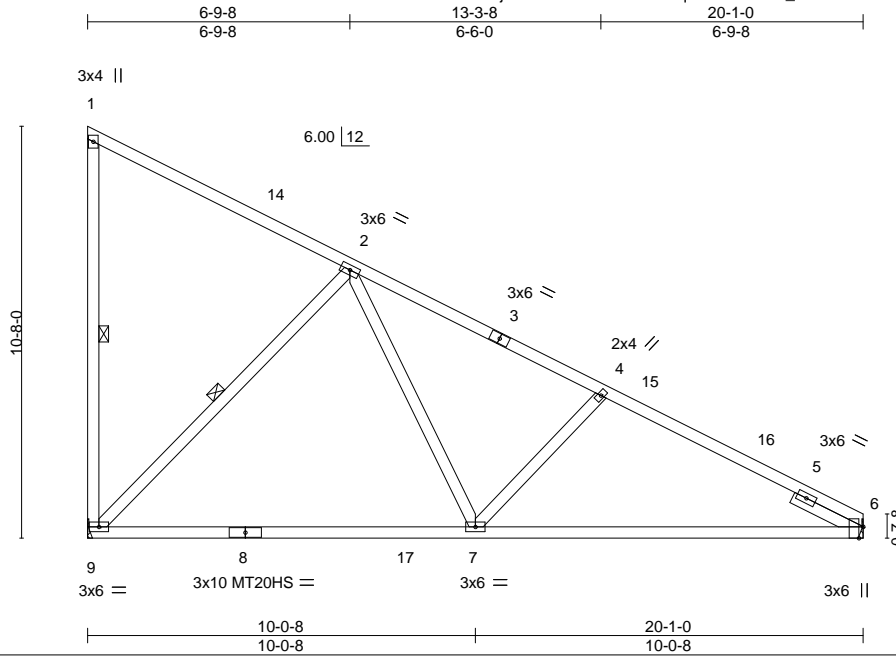
| | | | | | | |
|--------|-------|------------|-----|-----|--------------------------|-----------|
| Job | Truss | Truss Type | Qty | Ply | Clearwater French | 151769158 |
| MASTER | A05 | SPECIAL | 2 | 1 | Job Reference (optional) | |

Builders FirstSource (Apex, NC),

Apex, NC - 27523,

8.530 s Dec 6 2021 MiTek Industries, Inc. Thu May 5 08:36:58 2022 Page 1

ID:jww8HilN90uFSTm7sxlqmezW8I3-G?_zwtHYc7romSxKWof?Nj4UvsN23Er6Vex1CHzJc03



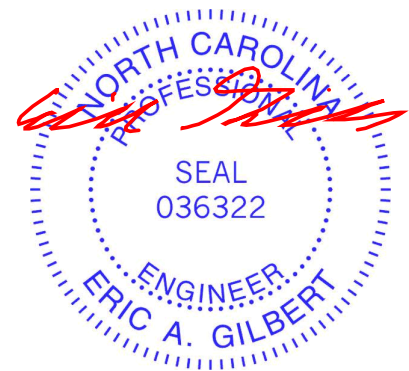
| | | | | | | | | | | |
|-----------------------|----------------------|-------|-------------|--------------|-------|-------|--------|-----|----------------|-------------|
| Plate Offsets (X,Y)-- | [6:0-3-9,Edge] | | | | | | | | | |
| LOADING (psf) | SPACING- | 2-0-0 | CSI. | DEFL. | in | (loc) | l/defl | L/d | PLATES | GRIP |
| TCLL 20.0 | Plate Grip DOL | 1.15 | TC 1.00 | Vert(LL) | -0.40 | 7-9 | >600 | 360 | MT20 | 244/190 |
| TCDL 10.0 | Lumber DOL | 1.15 | BC 0.97 | Vert(CT) | -0.64 | 7-9 | >374 | 240 | MT20HS | 187/143 |
| BCLL 0.0 * | Rep Stress Incr | YES | WB 0.38 | Horz(CT) | 0.01 | 6 | n/a | n/a | | |
| BCDL 10.0 | Code IRC2015/TPI2014 | | Matrix-MS | Wind(LL) | -0.10 | 7-9 | >999 | 240 | | |
| | | | | | | | | | Weight: 113 lb | FT = 20% |

| | |
|----------------------------------|--|
| LUMBER- | BRACING- |
| TOP CHORD 2x4 SP No.2 | TOP CHORD Structural wood sheathing directly applied or 5-0-10 oc purlins, except end verticals. |
| BOT CHORD 2x4 SP No.2 | BOT CHORD Rigid ceiling directly applied or 2-2-0 oc bracing. |
| WEBS 2x4 SP No.3 | WEBS 1 Row at midpt 1-9, 2-9 |
| SLIDER Right 2x4 SP No.3 1-11-12 | |

REACTIONS. (size) 9=Mechanical, 6=Mechanical
 Max Horz 9=-320(LC 10)
 Max Uplift 9=-32(LC 8)
 Max Grav 9=798(LC 1), 6=798(LC 1)

FORCES. (lb) - Max. Comp./Max. Ten. - All forces 250 (lb) or less except when shown.
 TOP CHORD 2-4=-959/85, 4-6=-1140/81
 BOT CHORD 7-9=0/600, 6-7=-1/1011
 WEBS 2-9=-762/118, 2-7=0/609, 4-7=-362/119

- NOTES-**
- 1) Wind: ASCE 7-10; Vult=115mph Vasd=91mph; TCDL=6.0psf; BCDL=6.0psf; h=32ft; Cat. II; Exp B; Enclosed; MWFRS (envelope) gable end zone and C-C Exterior(2) 0-1-12 to 4-4-11, Interior(1) 4-4-11 to 20-1-0 zone; cantilever left and right exposed; end vertical left and right exposed; C-C for members and forces & MWFRS for reactions shown; Lumber DOL=1.60 plate grip DOL=1.60
 - 2) All plates are MT20 plates unless otherwise indicated.
 - 3) This truss has been designed for a 10.0 psf bottom chord live load nonconcurrent with any other live loads.
 - 4) * This truss has been designed for a live load of 20.0psf on the bottom chord in all areas where a rectangle 3-6-0 tall by 2-0-0 wide will fit between the bottom chord and any other members, with BCDL = 10.0psf.
 - 5) Refer to girder(s) for truss to truss connections.
 - 6) Provide mechanical connection (by others) of truss to bearing plate capable of withstanding 100 lb uplift at joint(s) 9.

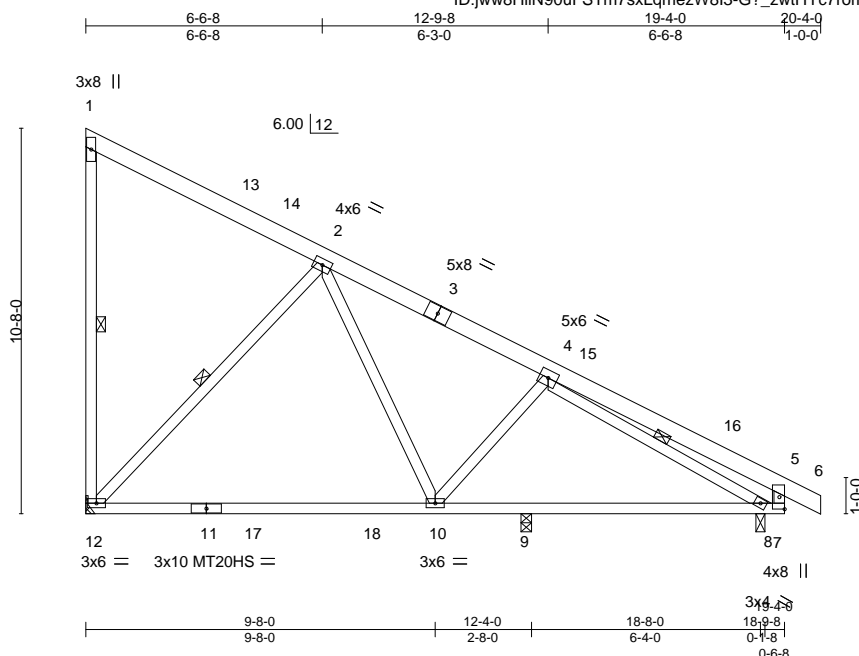


| | | | | | | |
|--------|-------|------------|-----|-----|-------------------|-----------|
| Job | Truss | Truss Type | Qty | Ply | Clearwater French | 151769159 |
| MASTER | A06 | SPECIAL | 3 | 1 | | |

Builders FirstSource (Apex, NC), Apex, NC - 27523,

8.530 s Dec 6 2021 MiTek Industries, Inc. Thu May 5 08:36:58 2022 Page 1

ID:jww8HiiN90uFSTm7sXLqmezW8I3-G?_zwtHYc7romSxKWof?Nj4VqsPR3556Vex1CHzJc03



| | | | | | | | | | |
|----------------------|----------------------|-------|-------------|--------------|-------------|--------|-----|----------------|-------------|
| LOADING (psf) | SPACING- | 2-0-0 | CSI. | DEFL. | in (loc) | l/defl | L/d | PLATES | GRIP |
| TCLL 20.0 | Plate Grip DOL | 1.15 | TC 0.94 | Vert(LL) | -0.25 10-12 | >585 | 360 | MT20 | 244/190 |
| TCDL 10.0 | Lumber DOL | 1.15 | BC 0.88 | Vert(CT) | -0.51 10-12 | >285 | 240 | MT20HS | 187/143 |
| BCLL 0.0 * | Rep Stress Incr | NO | WB 0.94 | Horz(CT) | 0.05 8 | n/a | n/a | | |
| BCDL 10.0 | Code IRC2015/TPI2014 | | Matrix-MS | Wind(LL) | 0.09 10-12 | >999 | 240 | | |
| | | | | | | | | Weight: 139 lb | FT = 20% |

LUMBER-
TOP CHORD 2x6 SP No.2
BOT CHORD 2x4 SP No.1
WEBS 2x4 SP No.3

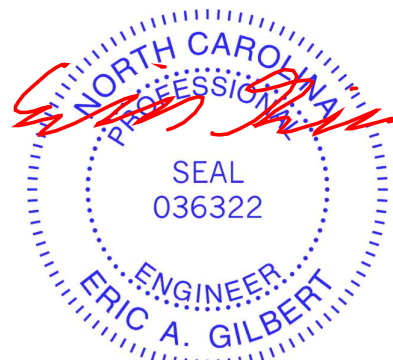
BRACING-
TOP CHORD Structural wood sheathing directly applied or 3-5-13 oc purlins, except end verticals.
BOT CHORD Rigid ceiling directly applied or 10-0-0 oc bracing.
WEBS 1 Row at midpt 1-12, 2-12, 4-8

REACTIONS. (size) 12=Mechanical, 9=0-3-8, 8=0-3-0
Max Horz 12=-327(LC 10)
Max Uplift 12=-108(LC 13), 9=-27(LC 18), 8=-95(LC 13)
Max Grav 12=1706(LC 1), 9=122(LC 3), 8=1588(LC 19)

FORCES. (lb) - Max. Comp./Max. Ten. - All forces 250 (lb) or less except when shown.
TOP CHORD 1-2=-436/127, 2-4=-2371/256, 4-5=-359/38, 5-7=-347/97
BOT CHORD 10-12=-51/1516, 9-10=-173/2246, 8-9=-173/2246, 7-8=0/284
WEBS 2-12=-1984/303, 2-10=-43/827, 4-10=-693/174, 4-8=-2323/273

- NOTES-**
- Wind: ASCE 7-10; Vult=115mph Vasd=91mph; TCDL=6.0psf; BCDL=6.0psf; h=32ft; Cat. II; Exp B; Enclosed; MWFRS (envelope) gable end zone and C-C Exterior(2) 0-1-12 to 4-4-10, Interior(1) 4-4-10 to 20-4-0 zone; cantilever left and right exposed; end vertical left and right exposed; C-C for members and forces & MWFRS for reactions shown; Lumber DOL=1.60 plate grip DOL=1.60
 - All plates are MT20 plates unless otherwise indicated.
 - This truss has been designed for a 10.0 psf bottom chord live load nonconcurrent with any other live loads.
 - * This truss has been designed for a live load of 20.0psf on the bottom chord in all areas where a rectangle 3-6-0 tall by 2-0-0 wide will fit between the bottom chord and any other members, with BCDL = 10.0psf.
 - Refer to girder(s) for truss to truss connections.
 - Provide mechanical connection (by others) of truss to bearing plate capable of withstanding 100 lb uplift at joint(s) 9, 8 except (jt=lb) 12=108.
 - In the LOAD CASE(S) section, loads applied to the face of the truss are noted as front (F) or back (B).

LOAD CASE(S) Standard
1) Dead + Roof Live (balanced): Lumber Increase=1.15, Plate Increase=1.15
Uniform Loads (plf)
Vert: 1-13=-60, 4-13=-260(F=-200), 4-5=-60, 5-6=-60, 7-12=-20



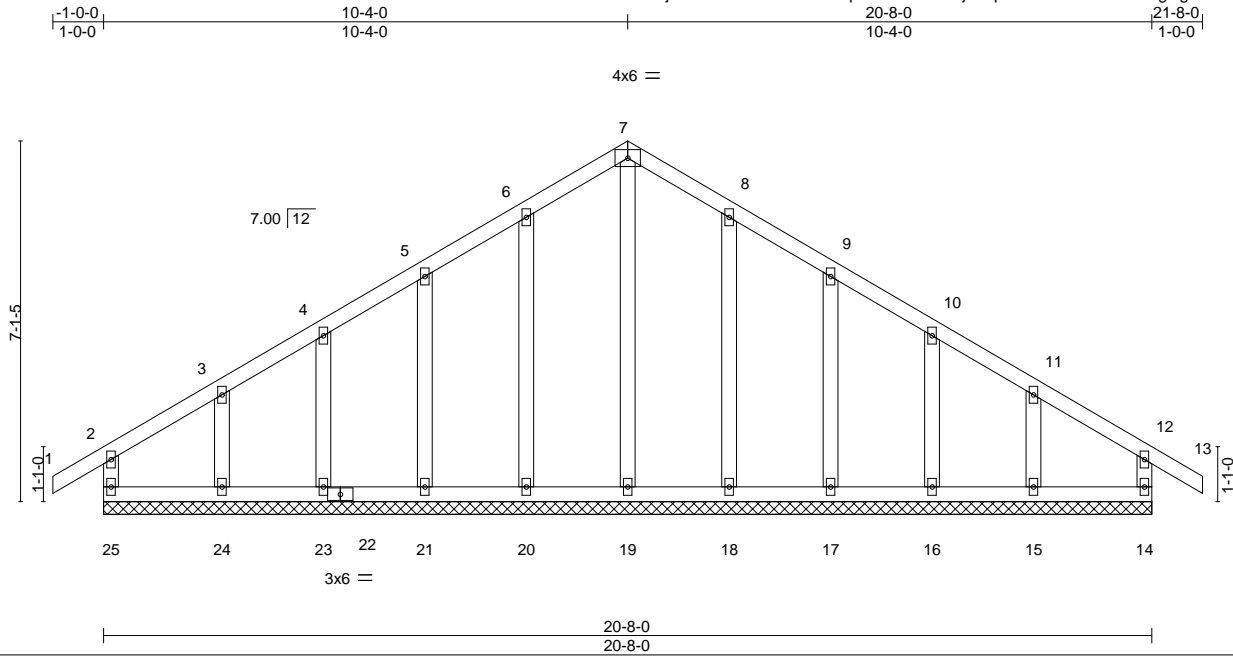
May 5, 2022

WARNING - Verify design parameters and READ NOTES ON THIS AND INCLUDED MITEK REFERENCE PAGE MII-7473 rev. 5/19/2020 BEFORE USE.
Design valid for use only with MiTek® connectors. This design is based only upon parameters shown, and is for an individual building component, not a truss system. Before use, the building designer must verify the applicability of design parameters and properly incorporate this design into the overall building design. Bracing indicated is to prevent buckling of individual truss web and/or chord members only. Additional temporary and permanent bracing is always required for stability and to prevent collapse with possible personal injury and property damage. For general guidance regarding the fabrication, storage, delivery, erection and bracing of trusses and truss systems, see **ANSI/TPI1 Quality Criteria, DSB-89 and BCSI Building Component Safety Information** available from Truss Plate Institute, 2670 Crain Highway, Suite 203 Waldorf, MD 20601

ENGINEERING BY
TRENCO
A MiTek Affiliate
818 Soundside Road
Edenton, NC 27932

| | | | | | | |
|--------|-------|------------|-----|-----|--------------------------|-----------|
| Job | Truss | Truss Type | Qty | Ply | Clearwater French | 151769160 |
| MASTER | B01G | GABLE | 1 | 1 | Job Reference (optional) | |

Builders FirstSource (Apex, NC), Apex, NC - 27523, 8.530 s Dec 6 2021 MiTek Industries, Inc. Thu May 5 08:37:00 2022 Page 1
 ID:jww8HilN90uFSTm7sxLqmezW8l3-CN6jLZJp8k5W0l5idDiTS892EgHgXCLPzyQ8H9zJc01



Scale = 1:45.4

| LOADING (psf) | SPACING- | CSI. | DEFL. | in (loc) | l/defl | L/d | PLATES | GRIP |
|---------------|----------------------|----------|----------|----------|--------|-----|----------------|----------|
| TCLL 20.0 | 2-0-0 | TC 0.11 | Vert(LL) | -0.00 | 13 | n/r | MT20 | 244/190 |
| TCDL 10.0 | Plate Grip DOL 1.15 | BC 0.06 | Vert(CT) | -0.00 | 13 | n/r | | |
| BCLL 0.0 * | Lumber DOL 1.15 | WB 0.12 | Horz(CT) | 0.00 | 14 | n/a | | |
| BCDL 10.0 | Rep Stress Incr NO | Matrix-R | | | | | | |
| | Code IRC2015/TPI2014 | | | | | | Weight: 125 lb | FT = 20% |

LUMBER-
 TOP CHORD 2x4 SP No.2
 BOT CHORD 2x4 SP No.2
 WEBS 2x4 SP No.3
 OTHERS 2x4 SP No.3

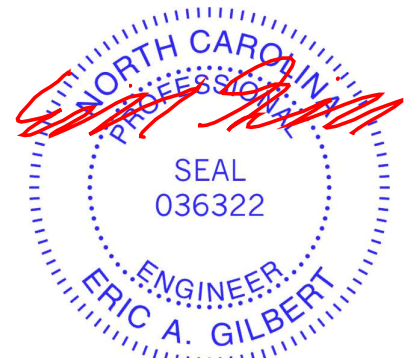
BRACING-
 TOP CHORD Structural wood sheathing directly applied or 6-0-0 oc purlins, except end verticals.
 BOT CHORD Rigid ceiling directly applied or 6-0-0 oc bracing.

REACTIONS. All bearings 20-8-0.
 (lb) - Max Horz 25=155(LC 11)
 Max Uplift All uplift 100 lb or less at joint(s) 25, 14, 20, 21, 23, 24, 18, 17, 16, 15
 Max Grav All reactions 250 lb or less at joint(s) 25, 14, 19, 20, 21, 23, 24, 18, 17, 16, 15

FORCES. (lb) - Max. Comp./Max. Ten. - All forces 250 (lb) or less except when shown.

NOTES-

- Unbalanced roof live loads have been considered for this design.
- Wind: ASCE 7-10; Vult=115mph Vasd=91mph; TCDL=6.0psf; BCDL=6.0psf; h=32ft; Cat. II; Exp B; Enclosed; MWFRS (envelope) gable end zone and C-C Corner(3) -1-0-0 to 2-0-0, Exterior(2) 2-0-0 to 10-4-0, Corner(3) 10-4-0 to 13-4-0, Exterior(2) 13-4-0 to 21-8-0 zone; cantilever left and right exposed; end vertical left and right exposed; C-C for members and forces & MWFRS for reactions shown; Lumber DOL=1.60 plate grip DOL=1.60
- Truss designed for wind loads in the plane of the truss only. For studs exposed to wind (normal to the face), see Standard Industry Gable End Details as applicable, or consult qualified building designer as per ANSI/TPI 1.
- All plates are 2x4 MT20 unless otherwise indicated.
- Gable requires continuous bottom chord bearing.
- Truss to be fully sheathed from one face or securely braced against lateral movement (i.e. diagonal web).
- Gable studs spaced at 2-0-0 oc.
- This truss has been designed for a 10.0 psf bottom chord live load nonconcurrent with any other live loads.
- * This truss has been designed for a live load of 20.0psf on the bottom chord in all areas where a rectangle 3-6-0 tall by 2-0-0 wide will fit between the bottom chord and any other members.
- Provide mechanical connection (by others) of truss to bearing plate capable of withstanding 100 lb uplift at joint(s) 25, 14, 20, 21, 23, 24, 18, 17, 16, 15.



May 5, 2022

WARNING - Verify design parameters and READ NOTES ON THIS AND INCLUDED MITEK REFERENCE PAGE MII-7473 rev. 5/19/2020 BEFORE USE.

Design valid for use only with MiTek® connectors. This design is based only upon parameters shown, and is for an individual building component, not a truss system. Before use, the building designer must verify the applicability of design parameters and properly incorporate this design into the overall building design. Bracing indicated is to prevent buckling of individual truss web and/or chord members only. Additional temporary and permanent bracing is always required for stability and to prevent collapse with possible personal injury and property damage. For general guidance regarding the fabrication, storage, delivery, erection and bracing of trusses and truss systems, see

ANSI/TPI1 Quality Criteria, DSB-89 and BCSI Building Component

Safety Information available from Truss Plate Institute, 2670 Crain Highway, Suite 203 Waldorf, MD 20601

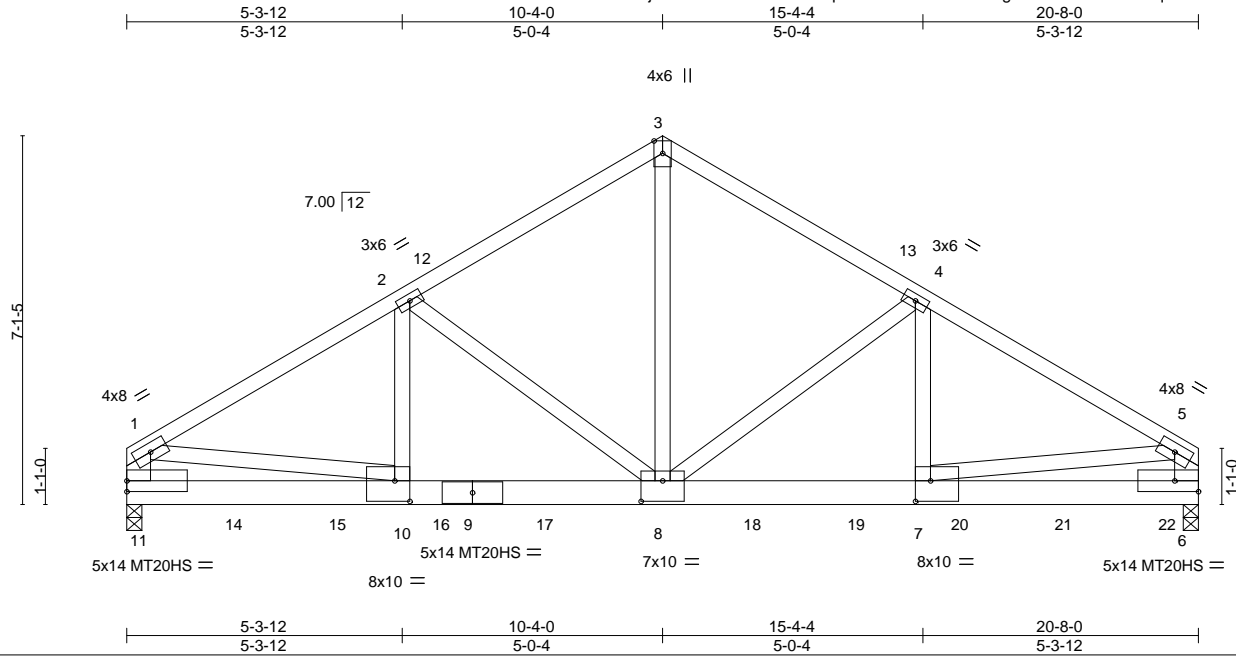


818 Soundside Road
 Edenton, NC 27932

| | | | | | | |
|--------|-------|------------|-----|-----|--------------------------|-----------|
| Job | Truss | Truss Type | Qty | Ply | Clearwater French | 151769161 |
| MASTER | B01GR | COMMON | 1 | 3 | Job Reference (optional) | |

Builders FirstSource (Apex, NC), Apex, NC - 27523, 8.530 s Dec 6 2021 MiTek Industries, Inc. Thu May 5 08:37:02 2022 Page 1

ID:jww8HilN9ouFSTm7sxlqmezW8i3-8mDTmFK3gLLDF3F5lekxXZFHqTtD?zGhQGvFL2zJc0?



Scale = 1:44.4

| | |
|-----------------------|---|
| Plate Offsets (X,Y)-- | [7:0-3-8,0-4-12], [8:0-5-0,0-4-12], [10:0-3-8,0-4-12] |
|-----------------------|---|

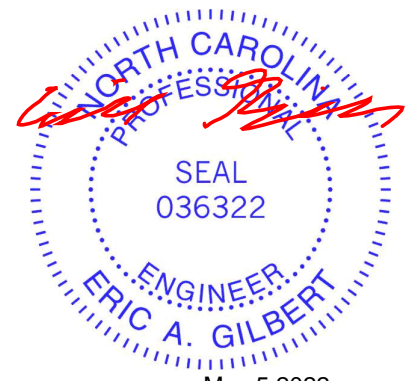
| LOADING (psf) | SPACING- | CSI. | DEFL. | PLATES | GRIP |
|---------------|----------------------|-----------|-----------------------------|----------------|----------|
| TCLL 20.0 | 2-0-0 | TC 0.56 | in (loc) l/defl L/d | MT20 | 244/190 |
| TCDL 10.0 | Plate Grip DOL 1.15 | BC 0.44 | Vert(LL) -0.10 7-8 >999 360 | MT20HS | 187/143 |
| BCLL 0.0 * | Lumber DOL 1.15 | WB 0.67 | Vert(CT) -0.20 7-8 >999 240 | | |
| BCDL 10.0 | Rep Stress Incr NO | Matrix-MS | Horz(CT) 0.03 6 n/a n/a | | |
| | Code IRC2015/TP12014 | | Wind(LL) 0.07 7-8 >999 240 | Weight: 415 lb | FT = 20% |

| LUMBER- | BRACING- |
|---|---|
| TOP CHORD 2x4 SP No.2 | TOP CHORD Structural wood sheathing directly applied or 6-0-0 oc purlins, except end verticals. |
| BOT CHORD 2x6 SP DSS | BOT CHORD Rigid ceiling directly applied or 10-0-0 oc bracing. |
| WEBS 2x4 SP No.3 *Except* 1-11,5-6: 2x6 SP No.2, 3-8,5-7,1-10: 2x4 SP No.2 | |

| REACTIONS. |
|--|
| (size) 11=0-3-8, 6=0-3-8 (req. 0-3-14) |
| Max Horz 11=-140(LC 6) |
| Max Uplift 11=-558(LC 8), 6=-613(LC 9) |
| Max Grav 11=8525(LC 1), 6=9932(LC 1) |

| FORCES. |
|--|
| (lb) - Max. Comp./Max. Ten. - All forces 250 (lb) or less except when shown. |
| TOP CHORD 1-11=-7012/476, 1-2=-11189/732, 2-3=-8504/567, 3-4=-8504/567, 4-5=-11451/711, 5-6=-7163/463 |
| BOT CHORD 10-11=-238/1908, 8-10=-643/9585, 7-8=-565/9810, 6-7=-150/2017 |
| WEBS 3-8=-529/8179, 4-8=-3172/272, 4-7=-187/3151, 5-7=-441/7893, 2-8=-2923/295, 2-10=-211/2936, 1-10=-453/7775 |

- NOTES-**
- 3-ply truss to be connected together with 10d (0.131"x3") nails as follows:
Top chords connected as follows: 2x6 - 2 rows staggered at 0-9-0 oc, 2x4 - 1 row at 0-9-0 oc.
Bottom chords connected as follows: 2x6 - 3 rows staggered at 0-5-0 oc.
Webs connected as follows: 2x4 - 1 row at 0-9-0 oc.
 - All loads are considered equally applied to all plies, except if noted as front (F) or back (B) face in the LOAD CASE(S) section. Ply to ply connections have been provided to distribute only loads noted as (F) or (B), unless otherwise indicated.
 - Unbalanced roof live loads have been considered for this design.
 - Wind: ASCE 7-10; Vult=115mph Vasd=91mph; TCDL=6.0psf; BCDL=6.0psf; h=32ft; Cat. II; Exp B; Enclosed; MWFRS (envelope) gable end zone; cantilever left and right exposed; end vertical left and right exposed; Lumber DOL=1.60 plate grip DOL=1.60
 - All plates are MT20 plates unless otherwise indicated.
 - This truss has been designed for a 10.0 psf bottom chord live load nonconcurrent with any other live loads.
 - * This truss has been designed for a live load of 20.0psf on the bottom chord in all areas where a rectangle 3-6-0 tall by 2-0-0 wide will fit between the bottom chord and any other members.
 - WARNING: Required bearing size at joint(s) 6 greater than input bearing size.
 - Provide mechanical connection (by others) of truss to bearing plate capable of withstanding 100 lb uplift at joint(s) except (jt=lb) 11=558, 6=613.
 - Hanger(s) or other connection device(s) shall be provided sufficient to support concentrated load(s) 1670 lb down and 136 lb up at 2-0-12, 1670 lb down and 136 lb up at 4-0-12, 1670 lb down and 136 lb up at 6-0-12, 1670 lb down and 136 lb up at 8-0-12, 1707 lb down and 123 lb up at 10-0-12, 1707 lb down and 123 lb up at 12-0-12, 1707 lb down and 123 lb up at 14-0-12, 1707 lb down and 123 lb up at 16-0-12, and 1707 lb down and 123 lb up at 18-0-12, and 1712 lb down and 117 lb up at 20-0-12 on bottom chord. The design/selection of such connection device(s) is the responsibility of others.



LOAD CASE(S) Standard

WARNING - Verify design parameters and READ NOTES ON THIS AND INCLUDED MITEK REFERENCE PAGE MII-7473 rev. 5/19/2020 BEFORE USE.

Design valid for use only with MiTek® connectors. This design is based only upon parameters shown, and is for an individual building component, not a truss system. Before use, the building designer must verify the applicability of design parameters and properly incorporate this design into the overall building design. Bracing indicated is to prevent buckling of individual truss web and/or chord members only. Additional temporary and permanent bracing is always required for stability and to prevent collapse with possible personal injury and property damage. For general guidance regarding the fabrication, storage, delivery, erection and bracing of trusses and truss systems, see **ANSI/TPI1 Quality Criteria, DSB-89 and BCSI Building Component Safety Information** available from Truss Plate Institute, 2670 Crain Highway, Suite 203 Waldorf, MD 20601

ENGINEERING BY
TRENCO
A MiTek Affiliate

818 Soundside Road
Edenton, NC 27932

| | | | | | | |
|---------------|----------------|----------------------|----------|-----------------|---|-----------|
| Job MASTER | Truss B01GR | Truss Type COMMON | Qty 1 | Ply 3 | Clearwater French Job Reference (optional) | 151769161 |
|---------------|----------------|----------------------|----------|-----------------|---|-----------|

Builders FirstSource (Apex, NC), Apex, NC - 27523,

8.530 s Dec 6 2021 MiTek Industries, Inc. Thu May 5 08:37:02 2022 Page 2
ID:jww8HiiN90uFSTm7sxLqmezW8i3-8mDTmFK3gLLDF3F5lekxXZFHqTtD?zGhQGvFL2zJc0?

LOAD CASE(S) Standard

1) Dead + Roof Live (balanced): Lumber Increase=1.15, Plate Increase=1.15

Uniform Loads (plf)

Vert: 1-3=-60, 3-5=-60, 6-11=-20

Concentrated Loads (lb)

Vert: 8=-1707(B) 14=-1648(B) 15=-1648(B) 16=-1648(B) 17=-1648(B) 18=-1707(B) 19=-1707(B) 20=-1707(B) 21=-1707(B) 22=-1712(B)

WARNING - Verify design parameters and READ NOTES ON THIS AND INCLUDED MITEK REFERENCE PAGE MII-7473 rev. 5/19/2020 BEFORE USE.

Design valid for use only with MiTek® connectors. This design is based only upon parameters shown, and is for an individual building component, not a truss system. Before use, the building designer must verify the applicability of design parameters and properly incorporate this design into the overall building design. Bracing indicated is to prevent buckling of individual truss web and/or chord members only. Additional temporary and permanent bracing is always required for stability and to prevent collapse with possible personal injury and property damage. For general guidance regarding the fabrication, storage, delivery, erection and bracing of trusses and truss systems, see **ANSI/TPI1 Quality Criteria, DSB-89 and BCSI Building Component Safety Information** available from Truss Plate Institute, 2670 Crain Highway, Suite 203 Waldorf, MD 20601



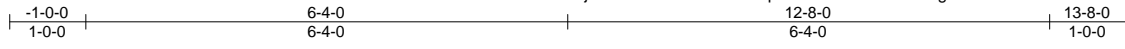
818 Soundside Road
Edenton, NC 27932

| | | | | | | |
|--------|-------|------------|-----|-----|-------------------|-----------|
| Job | Truss | Truss Type | Qty | Ply | Clearwater French | 151769162 |
| MASTER | C01 | COMMON | 1 | 1 | | |

Builders FirstSource (Apex, NC), Apex, NC - 27523,

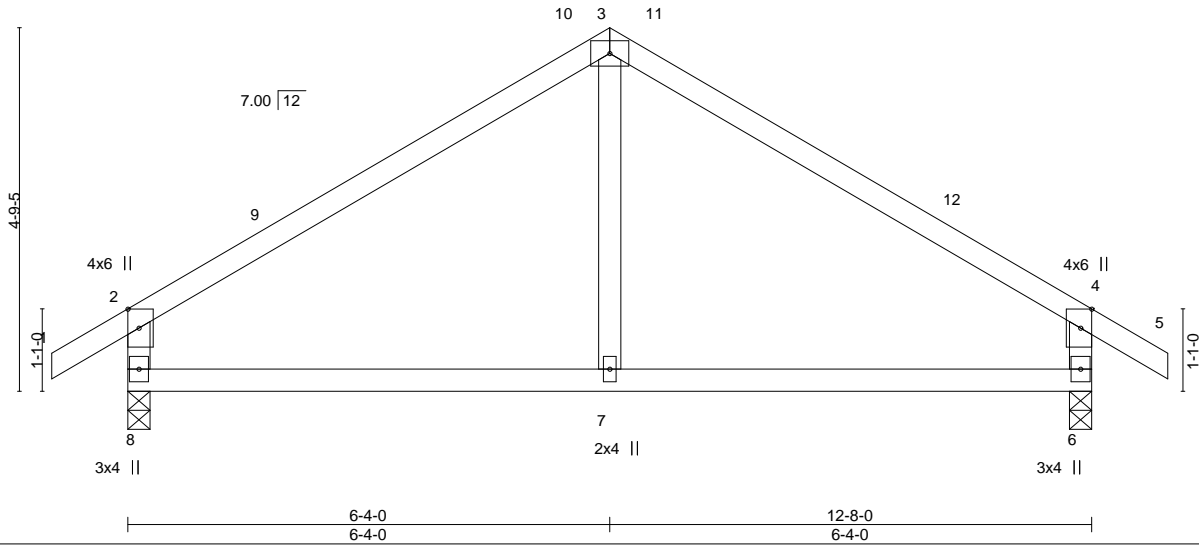
8.530 s Dec 6 2021 MiTek Industries, Inc. Thu May 5 08:37:02 2022 Page 1

ID:jww8HiIN90uFSTm7sxLqmezW8I3-8mDTmFK3gLLDF3F5lekxXZFDXTvc?6EhQGvFL2zJc0?



4x6 =

Scale = 1:30.3



| | |
|-----------------------|--------------------------------|
| Plate Offsets (X,Y)-- | [2:0-3-0,Edge], [4:0-3-0,Edge] |
|-----------------------|--------------------------------|

| LOADING (psf) | SPACING- | CSI. | DEFL. | PLATES | GRIP |
|---------------|----------------------|-----------|-----------------------------|---------------|----------|
| TCLL 20.0 | 2-0-0 | TC 0.83 | in (loc) l/defl L/d | MT20 | 244/190 |
| TCDL 10.0 | Plate Grip DOL 1.15 | BC 0.29 | Vert(LL) -0.04 6-7 >999 360 | | |
| BCLL 0.0 * | Lumber DOL 1.15 | WB 0.09 | Vert(CT) -0.08 6-7 >999 240 | | |
| BCDL 10.0 | Rep Stress Incr YES | Matrix-MR | Horz(CT) 0.01 6 n/a n/a | | |
| | Code IRC2015/TPI2014 | | Wind(LL) -0.02 7-8 >999 240 | Weight: 53 lb | FT = 20% |

| LUMBER- | BRACING- |
|-----------------------|---|
| TOP CHORD 2x4 SP No.2 | TOP CHORD Structural wood sheathing directly applied or 6-0-0 oc purlins, except end verticals. |
| BOT CHORD 2x4 SP No.2 | BOT CHORD Rigid ceiling directly applied or 10-0-0 oc bracing. |
| WEBS 2x4 SP No.3 | |

REACTIONS. (size) 8=0-3-8, 6=0-3-8
 Max Horz 8=-109(LC 10)
 Max Uplift 8=-19(LC 12), 6=-19(LC 13)
 Max Grav 8=564(LC 1), 6=564(LC 1)

FORCES. (lb) - Max. Comp./Max. Ten. - All forces 250 (lb) or less except when shown.
 TOP CHORD 2-8=-494/108, 2-3=-525/63, 3-4=-525/63, 4-6=-494/108
 BOT CHORD 7-8=0/360, 6-7=0/360

- NOTES-**
- Unbalanced roof live loads have been considered for this design.
 - Wind: ASCE 7-10; Vult=115mph Vasd=91mph; TCDL=6.0psf; BCDL=6.0psf; h=32ft; Cat. II; Exp B; Enclosed; MWFRS (envelope) gable end zone and C-C Exterior(2) -1-0-0 to 2-0-0, Interior(1) 2-0-0 to 6-4-0, Exterior(2) 6-4-0 to 10-6-15, Interior(1) 10-6-15 to 13-8-0 zone; cantilever left and right exposed; end vertical left and right exposed; C-C for members and forces & MWFRS for reactions shown; Lumber DOL=1.60 plate grip DOL=1.60
 - This truss has been designed for a 10.0 psf bottom chord live load nonconcurrent with any other live loads.
 - * This truss has been designed for a live load of 20.0psf on the bottom chord in all areas where a rectangle 3-6-0 tall by 2-0-0 wide will fit between the bottom chord and any other members.
 - Provide mechanical connection (by others) of truss to bearing plate capable of withstanding 100 lb uplift at joint(s) 8, 6.



| | | | | | | |
|--------|-------|------------|-----|-----|--------------------------|-----------|
| Job | Truss | Truss Type | Qty | Ply | Clearwater French | 151769163 |
| MASTER | C01G | GABLE | 1 | 1 | Job Reference (optional) | |

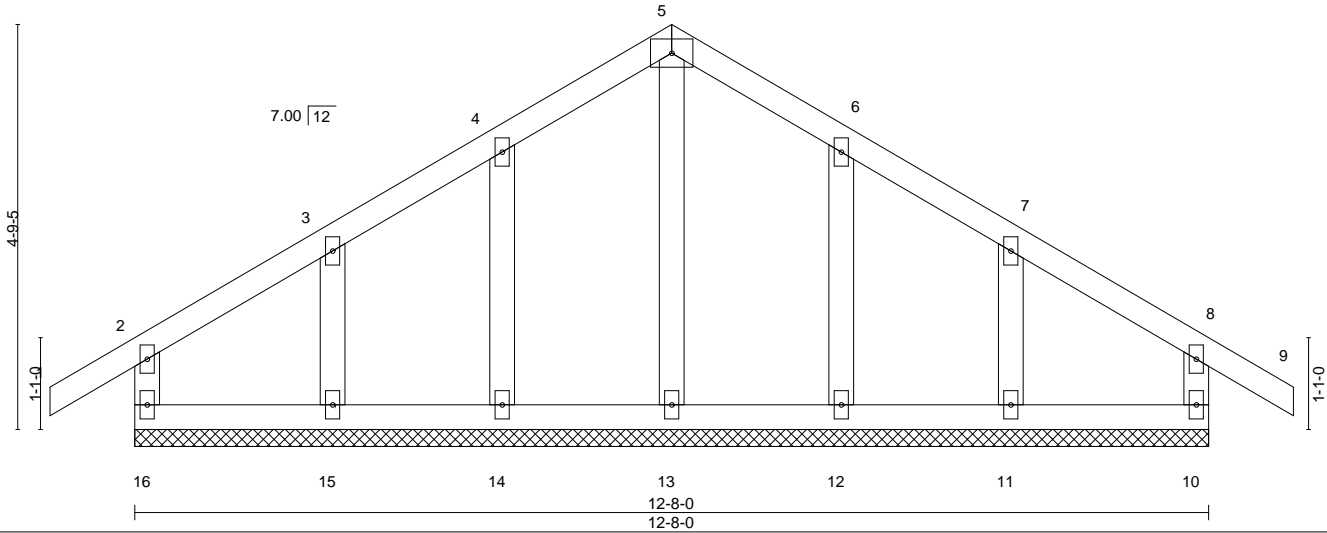
Builders FirstSource (Apex, NC), Apex, NC - 27523,

8.530 s Dec 6 2021 MiTek Industries, Inc. Thu May 5 08:37:03 2022 Page 1
 ID:jww8HiiN90uFSTm7sxLqmezW8l3-cynrzbLhRrT4tDqHILFA4nnZftJjkaFrFweotUzJc0_



4x6 =

Scale = 1:27.2



| LOADING (psf) | SPACING- | 2-0-0 | CSI. | DEFL. | in (loc) | l/defl | L/d | PLATES | GRIP |
|---------------|----------------------|-------|----------|----------|----------|--------|-----|---------------|----------|
| TCLL 20.0 | Plate Grip DOL | 1.15 | TC 0.10 | Vert(LL) | -0.00 | 9 | n/r | MT20 | 244/190 |
| TCDL 10.0 | Lumber DOL | 1.15 | BC 0.04 | Vert(CT) | -0.00 | 9 | n/r | | |
| BCLL 0.0 * | Rep Stress Incr | NO | WB 0.05 | Horz(CT) | 0.00 | 10 | n/a | | |
| BCDL 10.0 | Code IRC2015/TPI2014 | | Matrix-R | | | | | Weight: 67 lb | FT = 20% |

| LUMBER- | BRACING- |
|-----------------------|---|
| TOP CHORD 2x4 SP No.2 | TOP CHORD Structural wood sheathing directly applied or 6-0-0 oc purlins, except end verticals. |
| BOT CHORD 2x4 SP No.2 | BOT CHORD Rigid ceiling directly applied or 6-0-0 oc bracing. |
| WEBS 2x4 SP No.3 | |
| OTHERS 2x4 SP No.3 | |

REACTIONS. All bearings 12-8-0.
 (lb) - Max Horz 16=109(LC 11)
 Max Uplift All uplift 100 lb or less at joint(s) 16, 10, 14, 15, 12, 11
 Max Grav All reactions 250 lb or less at joint(s) 16, 10, 13, 14, 15, 12, 11

FORCES. (lb) - Max. Comp./Max. Ten. - All forces 250 (lb) or less except when shown.

- NOTES-**
- 1) Unbalanced roof live loads have been considered for this design.
 - 2) Wind: ASCE 7-10; Vult=115mph Vasd=91mph; TCDL=6.0psf; BCDL=6.0psf; h=32ft; Cat. II; Exp B; Enclosed; MWFRS (envelope) gable end zone and C-C Corner(3) -1-0-0 to 2-0-0, Exterior(2) 2-0-0 to 6-4-0, Corner(3) 6-4-0 to 9-4-0, Exterior(2) 9-4-0 to 13-8-0 zone; cantilever left and right exposed ; end vertical left and right exposed;C-C for members and forces & MWFRS for reactions shown; Lumber DOL=1.60 plate grip DOL=1.60
 - 3) Truss designed for wind loads in the plane of the truss only. For studs exposed to wind (normal to the face), see Standard Industry Gable End Details as applicable, or consult qualified building designer as per ANSI/TPI 1.
 - 4) All plates are 2x4 MT20 unless otherwise indicated.
 - 5) Gable requires continuous bottom chord bearing.
 - 6) Truss to be fully sheathed from one face or securely braced against lateral movement (i.e. diagonal web).
 - 7) Gable studs spaced at 2-0-0 oc.
 - 8) This truss has been designed for a 10.0 psf bottom chord live load nonconcurrent with any other live loads.
 - 9) * This truss has been designed for a live load of 20.0psf on the bottom chord in all areas where a rectangle 3-6-0 tall by 2-0-0 wide will fit between the bottom chord and any other members.
 - 10) Provide mechanical connection (by others) of truss to bearing plate capable of withstanding 100 lb uplift at joint(s) 16, 10, 14, 15, 12, 11.



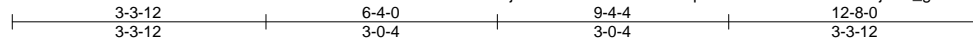
| | | | | | | |
|---------------|----------------|----------------------|----------|----------|-------------------|-----------|
| Job MASTER | Truss C01GR | Truss Type COMMON | Qty 1 | Ply 2 | Clearwater French | 151769164 |
|---------------|----------------|----------------------|----------|----------|-------------------|-----------|

Builders FirstSource (Apex, NC),

Apex, NC - 27523,

8.530 s Dec 6 2021 MiTek Industries, Inc. Thu May 5 08:37:05 2022 Page 1

ID:jww8HilN90uFSTm7sxLqmezW8I3-YLvcOHMxzGjo6X_gQmHe9CtpShvzCI_86E7vxNzJc?y



Scale = 1:30.1

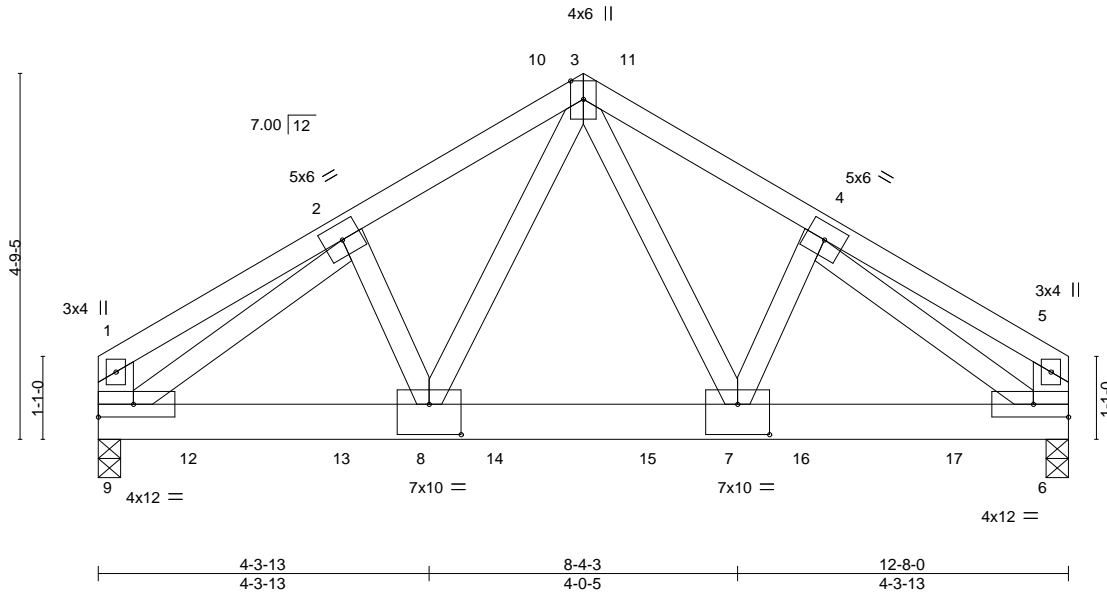


Plate Offsets (X,Y)-- [7:0-5-0,0-4-12], [8:0-5-0,0-4-12]

| LOADING (psf) | SPACING- | CSI. | DEFL. | PLATES | GRIP |
|---------------|----------------------|-----------|-----------------------------|----------------|----------|
| TCLL 20.0 | 2-0-0 | TC 0.47 | in (loc) l/defl L/d | MT20 | 244/190 |
| TCDL 10.0 | Plate Grip DOL 1.15 | BC 0.44 | Vert(LL) -0.05 7-8 >999 360 | | |
| BCLL 0.0 * | Lumber DOL 1.15 | WB 0.73 | Vert(CT) -0.09 7-8 >999 240 | | |
| BCDL 10.0 | Rep Stress Incr NO | Matrix-MS | Horz(CT) 0.02 6 n/a n/a | | |
| | Code IRC2015/TPI2014 | | Wind(LL) 0.03 7-8 >999 240 | Weight: 171 lb | FT = 20% |

LUMBER-

TOP CHORD 2x4 SP No.2
 BOT CHORD 2x6 SP DSS
 WEBS 2x4 SP No.3 *Except*
 1-9,5-6: 2x6 SP No.2

BRACING-

TOP CHORD Structural wood sheathing directly applied or 5-1-2 oc purlins, except end verticals.
 BOT CHORD Rigid ceiling directly applied or 10-0-0 oc bracing.

REACTIONS.

(size) 9=0-3-8, 6=0-3-8
 Max Horz 9=-94(LC 6)
 Max Uplift 6=-266(LC 9)
 Max Grav 9=4183(LC 1), 6=5296(LC 2)

FORCES. (lb) - Max. Comp./Max. Ten. - All forces 250 (lb) or less except when shown.

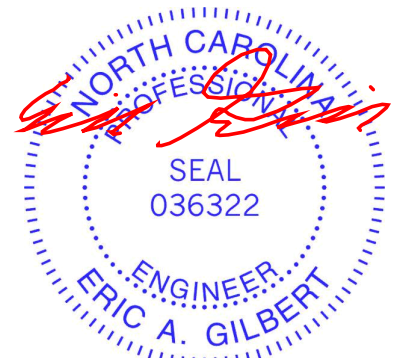
TOP CHORD 1-9=-618/0, 1-2=-1001/0, 2-3=-5043/66, 3-4=-5675/302, 4-5=-1505/106, 5-6=-876/75
 BOT CHORD 8-9=-41/4048, 7-8=-71/3438, 6-7=-200/4582
 WEBS 3-7=-355/3548, 4-7=-106/841, 4-6=-4422/174, 3-8=0/2176, 2-8=-95/804, 2-9=-4288/130

NOTES-

- 2-ply truss to be connected together with 10d (0.131"x3") nails as follows:
 Top chords connected as follows: 2x6 - 2 rows staggered at 0-9-0 oc, 2x4 - 1 row at 0-9-0 oc.
 Bottom chords connected as follows: 2x6 - 2 rows staggered at 0-5-0 oc.
 Webs connected as follows: 2x4 - 1 row at 0-9-0 oc.
- All loads are considered equally applied to all plies, except if noted as front (F) or back (B) face in the LOAD CASE(S) section. Ply to ply connections have been provided to distribute only loads noted as (F) or (B), unless otherwise indicated.
- Unbalanced roof live loads have been considered for this design.
- Wind: ASCE 7-10; Vult=115mph Vasd=91mph; TCDL=6.0psf; BCDL=6.0psf; h=32ft; Cat. II; Exp B; Enclosed; MWFRS (envelope) gable end zone; cantilever left and right exposed; end vertical left and right exposed; Lumber DOL=1.60 plate grip DOL=1.60
- This truss has been designed for a 10.0 psf bottom chord live load nonconcurrent with any other live loads.
- * This truss has been designed for a live load of 20.0psf on the bottom chord in all areas where a rectangle 3-6-0 tall by 2-0-0 wide will fit between the bottom chord and any other members.
- Provide mechanical connection (by others) of truss to bearing plate capable of withstanding 100 lb uplift at joint(s) except (jt=lb) 6=266.
- Hanger(s) or other connection device(s) shall be provided sufficient to support concentrated load(s) 778 lb down at 1-2-12, 778 lb down at 3-2-12, 1768 lb down and 137 lb up at 5-2-12, 1768 lb down and 137 lb up at 7-2-12, and 1768 lb down and 137 lb up at 9-2-12, and 1768 lb down and 137 lb up at 11-2-12 on bottom chord. The design/selection of such connection device(s) is the responsibility of others.

LOAD CASE(S) Standard

1) Dead + Roof Live (balanced): Lumber Increase=1.15, Plate Increase=1.15
 Uniform Loads (plf)
 Vert: 1-3=-60, 3-5=-60, 6-9=-20



May 5, 2022

Continued on page 2

WARNING - Verify design parameters and READ NOTES ON THIS AND INCLUDED MITEK REFERENCE PAGE MII-7473 rev. 5/19/2020 BEFORE USE.
 Design valid for use only with MiTek® connectors. This design is based only upon parameters shown, and is for an individual building component, not a truss system. Before use, the building designer must verify the applicability of design parameters and properly incorporate this design into the overall building design. Bracing indicated is to prevent buckling of individual truss web and/or chord members only. Additional temporary and permanent bracing is always required for stability and to prevent collapse with possible personal injury and property damage. For general guidance regarding the fabrication, storage, delivery, erection and bracing of trusses and truss systems, see **ANSI/TPI1 Quality Criteria, DSB-89 and BCSI Building Component Safety Information** available from Truss Plate Institute, 2670 Crain Highway, Suite 203 Waldorf, MD 20601



818 Soundside Road
 Edenton, NC 27932

| | | | | | | |
|---------------|----------------|----------------------|----------|-----------------|---|-----------|
| Job MASTER | Truss C01GR | Truss Type COMMON | Qty 1 | Ply 2 | Clearwater French Job Reference (optional) | 151769164 |
|---------------|----------------|----------------------|----------|-----------------|---|-----------|

Builders FirstSource (Apex, NC), Apex, NC - 27523,

8.530 s Dec 6 2021 MiTek Industries, Inc. Thu May 5 08:37:05 2022 Page 2
ID:jww8HilN90uFSTm7sxLqmezW8I3-YLvcOHMxzGjo6X_gQmHe9CtpShvzCI_86E7vxNzJc?y

LOAD CASE(S) Standard

Concentrated Loads (lb)

Vert: 12=-778(B) 13=-778(B) 14=-1737(B) 15=-1737(B) 16=-1737(B) 17=-1737(B)

WARNING - Verify design parameters and READ NOTES ON THIS AND INCLUDED MITEK REFERENCE PAGE MII-7473 rev. 5/19/2020 BEFORE USE.

Design valid for use only with MiTek® connectors. This design is based only upon parameters shown, and is for an individual building component, not a truss system. Before use, the building designer must verify the applicability of design parameters and properly incorporate this design into the overall building design. Bracing indicated is to prevent buckling of individual truss web and/or chord members only. Additional temporary and permanent bracing is always required for stability and to prevent collapse with possible personal injury and property damage. For general guidance regarding the fabrication, storage, delivery, erection and bracing of trusses and truss systems, see **ANSI/TPI1 Quality Criteria, DSB-89 and BCSI Building Component Safety Information** available from Truss Plate Institute, 2670 Crain Highway, Suite 203 Waldorf, MD 20601



818 Soundside Road
Edenton, NC 27932

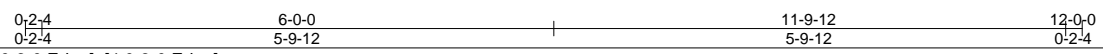
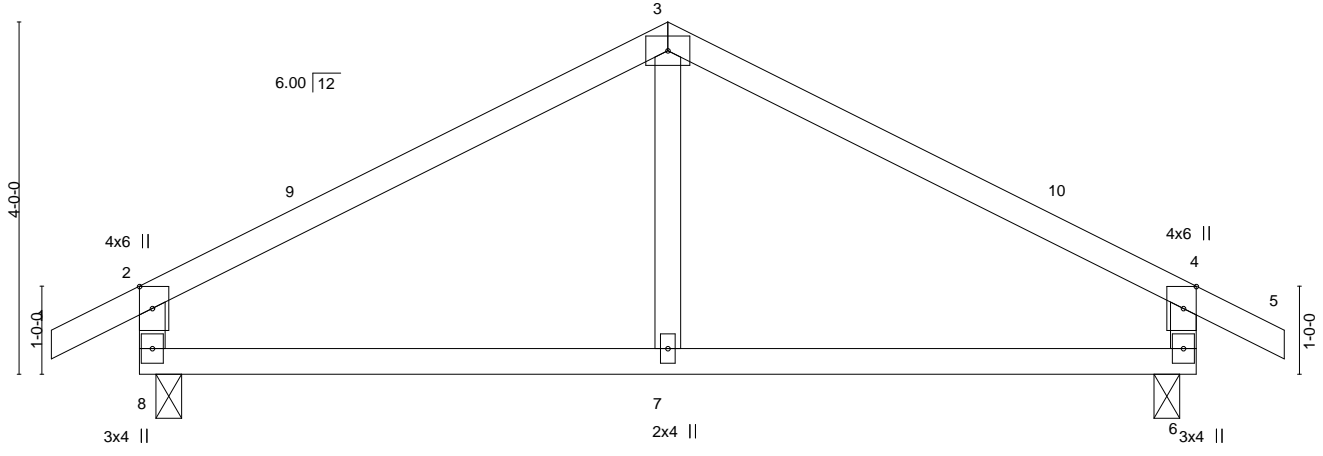
| | | | | | | |
|--------|-------|------------|-----|-----|-------------------|-----------|
| Job | Truss | Truss Type | Qty | Ply | Clearwater French | 151769165 |
| MASTER | D01 | COMMON | 2 | 1 | | |

Builders FirstSource (Apex, NC), Apex, NC - 27523, 8.530 s Dec 6 2021 MiTek Industries, Inc. Thu May 5 08:37:05 2022 Page 1
 ID:jww8HilN90uFSTm7sxlQmezW8l3-YLvcOHMxzGjo6X_gQmHe9CtkXhxZCS586E7vxNzJc?y



4x6 =

Scale = 1:26.2



| | |
|------------------------|--------------------------------|
| Plate Offsets (X, Y)-- | [2:0-3-0,Edge], [4:0-3-0,Edge] |
|------------------------|--------------------------------|

| LOADING (psf) | SPACING- | 2-0-0 | CSI. | DEFL. | in (loc) | l/defl | L/d | PLATES | GRIP |
|---------------|----------------------|-------|-----------|----------|----------|--------|------|---------------|----------|
| TCLL 20.0 | Plate Grip DOL | 1.15 | TC 0.78 | Vert(LL) | -0.03 | 7-8 | >999 | MT20 | 244/190 |
| TCDL 10.0 | Lumber DOL | 1.15 | BC 0.27 | Vert(CT) | -0.07 | 7-8 | >999 | | |
| BCLL 0.0 * | Rep Stress Incr | YES | WB 0.09 | Horz(CT) | 0.01 | 6 | n/a | | |
| BCDL 10.0 | Code IRC2015/TPI2014 | | Matrix-MR | Wind(LL) | 0.01 | 7-8 | >999 | | |
| | | | | | | | | Weight: 48 lb | FT = 20% |

| LUMBER- | BRACING- |
|-----------------------|---|
| TOP CHORD 2x4 SP No.2 | TOP CHORD Structural wood sheathing directly applied or 6-0-0 oc purlins, except end verticals. |
| BOT CHORD 2x4 SP No.2 | BOT CHORD Rigid ceiling directly applied or 10-0-0 oc bracing. |
| WEBS 2x4 SP No.3 | |

REACTIONS. (size) 8=0-3-8, 6=0-3-8
 Max Horz 8=56(LC 11)
 Max Uplift 8=-23(LC 12), 6=-23(LC 13)
 Max Grav 8=537(LC 1), 6=537(LC 1)

FORCES. (lb) - Max. Comp./Max. Ten. - All forces 250 (lb) or less except when shown.
 TOP CHORD 2-8=-468/136, 2-3=-523/83, 3-4=-523/81, 4-6=-468/133
 BOT CHORD 7-8=0/384, 6-7=0/384

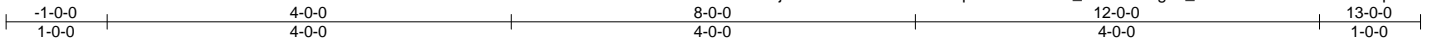
- NOTES-**
- Unbalanced roof live loads have been considered for this design.
 - Wind: ASCE 7-10; Vult=115mph Vasd=91mph; TCDL=6.0psf; BCDL=6.0psf; h=32ft; Cat. II; Exp B; Enclosed; MWFRS (envelope) gable end zone and C-C Exterior(2) -1-0-0 to 2-0-0, Interior(1) 2-0-0 to 6-0-0, Exterior(2) 6-0-0 to 10-2-15, Interior(1) 10-2-15 to 13-0-0 zone; cantilever left and right exposed; end vertical left and right exposed; C-C for members and forces & MWFRS for reactions shown; Lumber DOL=1.60 plate grip DOL=1.60
 - This truss has been designed for a 10.0 psf bottom chord live load nonconcurrent with any other live loads.
 - * This truss has been designed for a live load of 20.0psf on the bottom chord in all areas where a rectangle 3-6-0 tall by 2-0-0 wide will fit between the bottom chord and any other members.
 - Provide mechanical connection (by others) of truss to bearing plate capable of withstanding 100 lb uplift at joint(s) 8, 6.



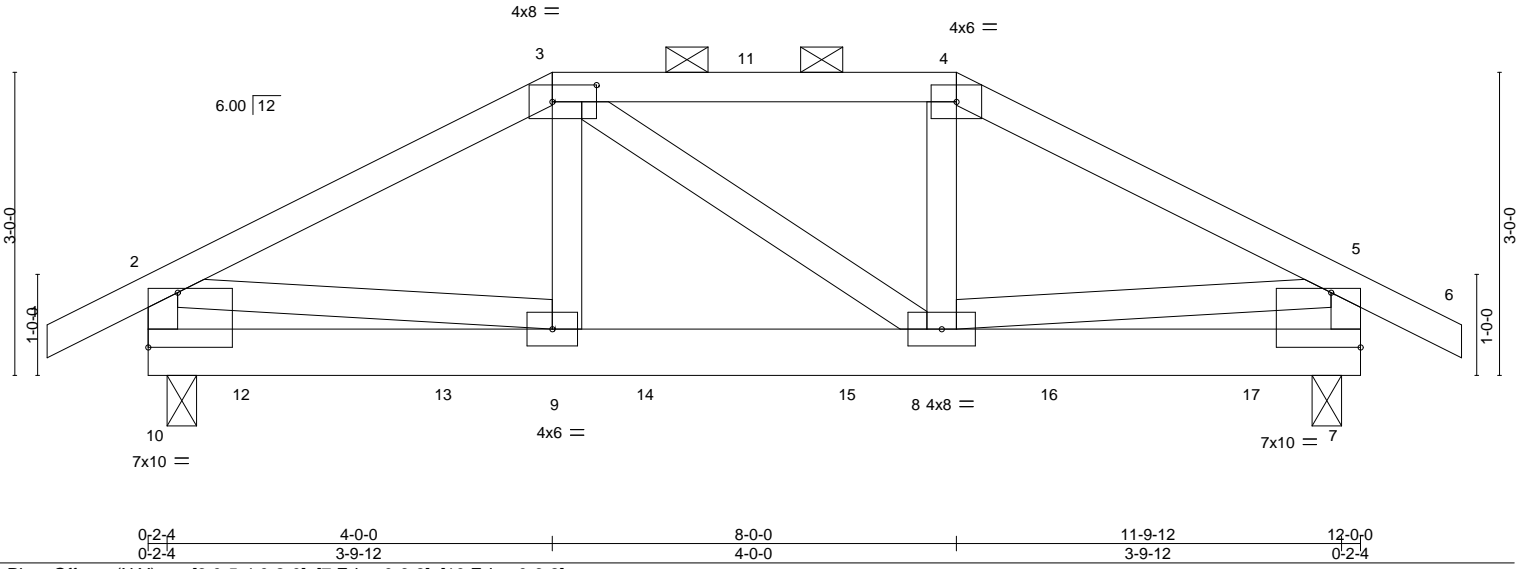
| | | | | | | |
|--|-------|------------|-----|-----|-------------------|--------------------------|
| Job | Truss | Truss Type | Qty | Ply | Clearwater French | 151769166 |
| MASTER | D01GR | HIP | 1 | 1 | | |
| Builders FirstSource (Apex, NC), Apex, NC - 27523, | | | | | | Job Reference (optional) |

8.530 s Dec 6 2021 MiTek Industries, Inc. Thu May 5 08:37:06 2022 Page 1

ID:jww8HilN90uFSTm7sxLqmezW8l3-1XT_ccNZkarfkgZs_UothPP0H4lVxsZHLutSTpzJc?x



Scale = 1:22.8



| LOADING (psf) | SPACING- | CSI. | DEFL. | PLATES | GRIP |
|---------------|----------------------|-----------|-----------------------------|---------------|----------|
| TCLL 20.0 | 2-0-0 | TC 0.33 | in (loc) l/defl L/d | MT20 | 244/190 |
| TCDL 10.0 | Plate Grip DOL 1.15 | BC 0.23 | Vert(LL) -0.02 8-9 >999 360 | | |
| BCLL 0.0 * | Lumber DOL 1.15 | WB 0.27 | Vert(CT) -0.03 8-9 >999 240 | | |
| BCDL 10.0 | Rep Stress Incr NO | Matrix-MS | Horz(CT) 0.00 7 n/a n/a | | |
| | Code IRC2015/TPI2014 | | Wind(LL) 0.01 8-9 >999 240 | Weight: 76 lb | FT = 20% |

| LUMBER- | BRACING- |
|-----------------------|--|
| TOP CHORD 2x4 SP No.2 | TOP CHORD Structural wood sheathing directly applied or 5-9-11 oc purlins, except end verticals, and 2-0-0 oc purlins (6-0-0 max.): 3-4. |
| BOT CHORD 2x6 SP No.2 | BOT CHORD Rigid ceiling directly applied or 10-0-0 oc bracing. |
| WEBS 2x4 SP No.3 | |

REACTIONS. (size) 10=0-3-8, 7=0-3-8
 Max Horz 10=44(LC 7)
 Max Uplift 10=159(LC 8), 7=158(LC 9)
 Max Grav 10=880(LC 1), 7=881(LC 1)

FORCES. (lb) - Max. Comp./Max. Ten. - All forces 250 (lb) or less except when shown.
 TOP CHORD 2-10=-722/141, 2-3=-982/175, 3-4=-844/175, 4-5=-981/174, 5-7=-717/140
 BOT CHORD 8-9=-130/835
 WEBS 2-9=-106/642, 5-8=-107/635

NOTES-

- 1) Unbalanced roof live loads have been considered for this design.
- 2) Wind: ASCE 7-10; Vult=115mph Vasd=91mph; TCDL=6.0psf; BCDL=6.0psf; h=32ft; Cat. II; Exp B; Enclosed; MWFRS (envelope) gable end zone; cantilever left and right exposed; end vertical left and right exposed; Lumber DOL=1.60 plate grip DOL=1.60
- 3) Provide adequate drainage to prevent water ponding.
- 4) This truss has been designed for a 10.0 psf bottom chord live load nonconcurrent with any other live loads.
- 5) * This truss has been designed for a live load of 20.0psf on the bottom chord in all areas where a rectangle 3-6-0 tall by 2-0-0 wide will fit between the bottom chord and any other members.
- 6) Provide mechanical connection (by others) of truss to bearing plate capable of withstanding 100 lb uplift at joint(s) except (jt=lb) 10=159, 7=158.
- 7) Graphical purlin representation does not depict the size or the orientation of the purlin along the top and/or bottom chord.
- 8) Hanger(s) or other connection device(s) shall be provided sufficient to support concentrated load(s) 108 lb down and 49 lb up at 1-0-0, 118 lb down and 43 lb up at 3-0-0, 118 lb down and 57 lb up at 5-0-0, 118 lb down and 57 lb up at 7-0-0, and 118 lb down and 43 lb up at 9-0-0, and 109 lb down and 47 lb up at 11-0-0 on bottom chord. The design/selection of such connection device(s) is the responsibility of others.
- 9) In the LOAD CASE(S) section, loads applied to the face of the truss are noted as front (F) or back (B).

LOAD CASE(S) Standard

- 1) Dead + Roof Live (balanced): Lumber Increase=1.15, Plate Increase=1.15
 Uniform Loads (plf)
 Vert: 1-2=-60, 2-3=-60, 3-4=-60, 4-5=-60, 5-6=-60, 7-10=-20
 Concentrated Loads (lb)
 Vert: 12=-108(B) 13=-118(B) 14=-118(B) 15=-118(B) 16=-118(B) 17=-109(B)



May 5, 2022

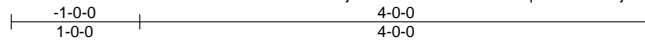
| | | | | | |
|---------------|--------------|--------------------|----------|----------|--------------------------------|
| Job MASTER | Truss J01 | Truss Type JACK | Qty 2 | Ply 1 | Clearwater French 151769167 |
|---------------|--------------|--------------------|----------|----------|--------------------------------|

Builders FirstSource (Apex, NC),

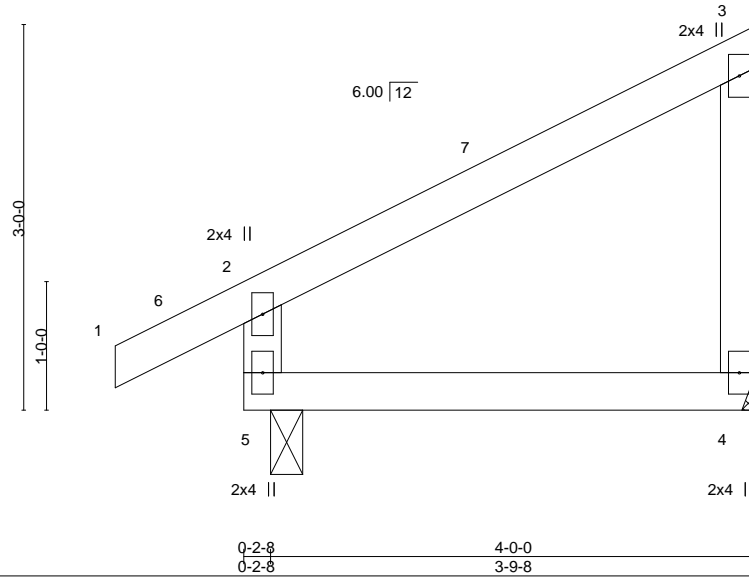
Apex, NC - 27523,

8.530 s Dec 6 2021 MiTek Industries, Inc. Thu May 5 08:37:07 2022 Page 1

ID:jvw8HilN90uFSTm7sxLqmezW8I3-Vj1MpyOCVuzWLq72XBK6EduD6Uf_gNYQaYc0?FzJc?w



Scale = 1:17.9



| LOADING (psf) | SPACING- | 2-0-0 | CSI. | DEFL. | in (loc) | l/defl | L/d | PLATES | GRIP | |
|---------------|----------------------|-------|-----------|----------|----------|--------|------|--------|---------------|----------|
| TCLL 20.0 | Plate Grip DOL | 1.15 | TC 0.20 | Vert(LL) | -0.01 | 4-5 | >999 | 360 | MT20 | 244/190 |
| TCDL 10.0 | Lumber DOL | 1.15 | BC 0.15 | Vert(CT) | -0.02 | 4-5 | >999 | 240 | | |
| BCLL 0.0 * | Rep Stress Incr | YES | WB 0.03 | Horz(CT) | 0.00 | n/a | n/a | | | |
| BCDL 10.0 | Code IRC2015/TPI2014 | | Matrix-MS | Wind(LL) | 0.01 | 4-5 | >999 | 240 | | |
| | | | | | | | | | Weight: 19 lb | FT = 20% |

LUMBER-

TOP CHORD 2x4 SP No.2
 BOT CHORD 2x4 SP No.2
 WEBS 2x4 SP No.2 *Except*
 3-4: 2x4 SP No.3

BRACING-

TOP CHORD Structural wood sheathing directly applied or 4-0-0 oc purlins, except end verticals.
 BOT CHORD Rigid ceiling directly applied or 10-0-0 oc bracing.

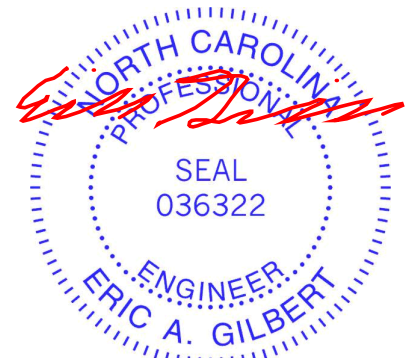
REACTIONS.

(size) 5=0-3-0, 4=Mechanical
 Max Horz 5=64(LC 12)
 Max Uplift 5=-4(LC 12), 4=-37(LC 12)
 Max Grav 5=228(LC 1), 4=138(LC 1)

FORCES. (lb) - Max. Comp./Max. Ten. - All forces 250 (lb) or less except when shown.

NOTES-

- Unbalanced roof live loads have been considered for this design.
- Wind: ASCE 7-10; Vult=115mph Vasd=91mph; TCDL=6.0psf; BCDL=6.0psf; h=32ft; Cat. II; Exp B; Enclosed; MWFRS (envelope) gable end zone and C-C Exterior(2) -1-0-0 to 2-0-0, Interior(1) 2-0-0 to 3-10-4 zone; cantilever left and right exposed ; end vertical left and right exposed;C-C for members and forces & MWFRS for reactions shown; Lumber DOL=1.60 plate grip DOL=1.60
- This truss has been designed for a 10.0 psf bottom chord live load nonconcurrent with any other live loads.
- * This truss has been designed for a live load of 20.0psf on the bottom chord in all areas where a rectangle 3-6-0 tall by 2-0-0 wide will fit between the bottom chord and any other members.
- Refer to girder(s) for truss to truss connections.
- Provide mechanical connection (by others) of truss to bearing plate capable of withstanding 100 lb uplift at joint(s) 5, 4.



May 5, 2022

WARNING - Verify design parameters and READ NOTES ON THIS AND INCLUDED MITEK REFERENCE PAGE MII-7473 rev. 5/19/2020 BEFORE USE.

Design valid for use only with MiTek® connectors. This design is based only upon parameters shown, and is for an individual building component, not a truss system. Before use, the building designer must verify the applicability of design parameters and properly incorporate this design into the overall building design. Bracing indicated is to prevent buckling of individual truss web and/or chord members only. Additional temporary and permanent bracing is always required for stability and to prevent collapse with possible personal injury and property damage. For general guidance regarding the fabrication, storage, delivery, erection and bracing of trusses and truss systems, see

ANSI/TPI1 Quality Criteria, DSB-89 and BCSI Building Component

Safety Information available from Truss Plate Institute, 2670 Crain Highway, Suite 203 Waldorf, MD 20601



818 Soundside Road
 Edenton, NC 27932

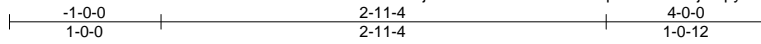
| | | | | | |
|---------------|--------------|------------------------|----------|----------|--------------------------------|
| Job MASTER | Truss J02 | Truss Type MONO HIP | Qty 2 | Ply 1 | Clearwater French 151769168 |
|---------------|--------------|------------------------|----------|----------|--------------------------------|

Builders FirstSource (Apex, NC),

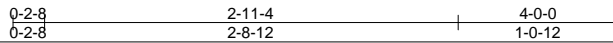
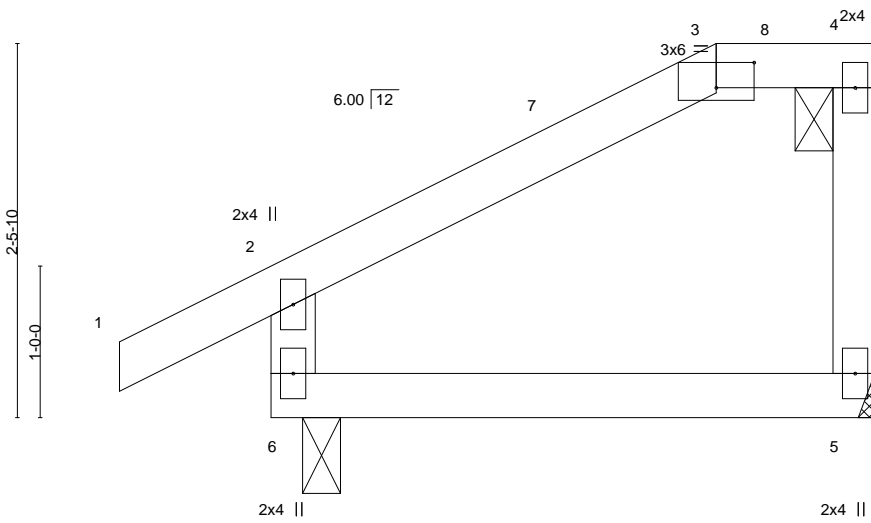
Apex, NC - 27523,

8.530 s Dec 6 2021 MiTek Industries, Inc. Thu May 5 08:37:07 2022 Page 1

ID:jww8HilN90uFSTm7sxLqmezW8l3-Vj1MpyOCVuzWLq72XBK6EdyEIufzgNcQaYc0?FzJc?w



Scale = 1:15.2



| | | | | | | | | | | |
|-----------------------|----------------------|-------|-------------|--------------|----------|--------|------|---------------|---------------|----------|
| Plate Offsets (X,Y)-- | [3:0-3-0,0-2-0] | | | | | | | | | |
| LOADING (psf) | SPACING- | 2-0-0 | CSI. | DEFL. | in (loc) | l/defl | L/d | PLATES | GRIP | |
| TCLL 20.0 | Plate Grip DOL | 1.15 | TC 0.19 | Vert(LL) | -0.01 | 5-6 | >999 | 360 | MT20 | 244/190 |
| TCDL 10.0 | Lumber DOL | 1.15 | BC 0.15 | Vert(CT) | -0.02 | 5-6 | >999 | 240 | | |
| BCLL 0.0 * | Rep Stress Incr | YES | WB 0.02 | Horz(CT) | 0.00 | n/a | n/a | | | |
| BCDL 10.0 | Code IRC2015/TPI2014 | | Matrix-MS | Wind(LL) | 0.01 | 5-6 | >999 | 240 | | |
| | | | | | | | | | Weight: 18 lb | FT = 20% |

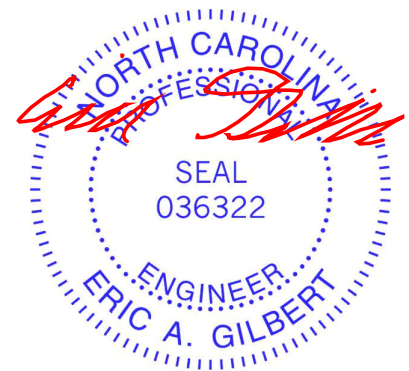
| | | | |
|----------------|-------------|-----------------|--|
| LUMBER- | | BRACING- | |
| TOP CHORD | 2x4 SP No.2 | TOP CHORD | Structural wood sheathing directly applied or 4-0-0 oc purlins, except end verticals, and 2-0-0 oc purlins: 3-4. |
| BOT CHORD | 2x4 SP No.2 | BOT CHORD | Rigid ceiling directly applied or 10-0-0 oc bracing. |
| WEBS | 2x4 SP No.3 | | |

REACTIONS. (size) 6=0-3-0, 5=Mechanical
 Max Horz 6=51(LC 12)
 Max Uplift 6=-13(LC 12), 5=-23(LC 12)
 Max Grav 6=228(LC 1), 5=138(LC 1)

FORCES. (lb) - Max. Comp./Max. Ten. - All forces 250 (lb) or less except when shown.

NOTES-

- 1) Unbalanced roof live loads have been considered for this design.
- 2) Wind: ASCE 7-10; Vult=115mph Vasd=91mph; TCDL=6.0psf; BCDL=6.0psf; h=32ft; Cat. II; Exp B; Enclosed; MWFRS (envelope) gable end zone and C-C Exterior(2) -1-0-0 to 2-0-0, Interior(1) 2-0-0 to 2-11-4, Exterior(2) 2-11-4 to 3-10-4 zone; cantilever left and right exposed; end vertical left and right exposed; C-C for members and forces & MWFRS for reactions shown; Lumber DOL=1.60 plate grip DOL=1.60
- 3) Provide adequate drainage to prevent water ponding.
- 4) This truss has been designed for a 10.0 psf bottom chord live load nonconcurrent with any other live loads.
- 5) * This truss has been designed for a live load of 20.0psf on the bottom chord in all areas where a rectangle 3-6-0 tall by 2-0-0 wide will fit between the bottom chord and any other members.
- 6) Refer to girder(s) for truss to truss connections.
- 7) Provide mechanical connection (by others) of truss to bearing plate capable of withstanding 100 lb uplift at joint(s) 6, 5.
- 8) Graphical purlin representation does not depict the size or the orientation of the purlin along the top and/or bottom chord.



May 5, 2022

| | |
|--|---|
| <p>WARNING - Verify design parameters and READ NOTES ON THIS AND INCLUDED MITEK REFERENCE PAGE MII-7473 rev. 5/19/2020 BEFORE USE.</p> <p>Design valid for use only with MiTek® connectors. This design is based only upon parameters shown, and is for an individual building component, not a truss system. Before use, the building designer must verify the applicability of design parameters and properly incorporate this design into the overall building design. Bracing indicated is to prevent buckling of individual truss web and/or chord members only. Additional temporary and permanent bracing is always required for stability and to prevent collapse with possible personal injury and property damage. For general guidance regarding the fabrication, storage, delivery, erection and bracing of trusses and truss systems, see ANSI/TPI1 Quality Criteria, DSB-89 and BCSI Building Component Safety Information available from Truss Plate Institute, 2670 Crain Highway, Suite 203 Waldorf, MD 20601</p> | <p>818 Soundside Road Edenton, NC 27932</p> |
|--|---|

| | | | | | |
|---------------|--------------|--------------------|----------|----------|--------------------------------|
| Job MASTER | Truss J03 | Truss Type JACK | Qty 2 | Ply 1 | Clearwater French 151769169 |
|---------------|--------------|--------------------|----------|----------|--------------------------------|

Builders FirstSource (Apex, NC),

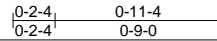
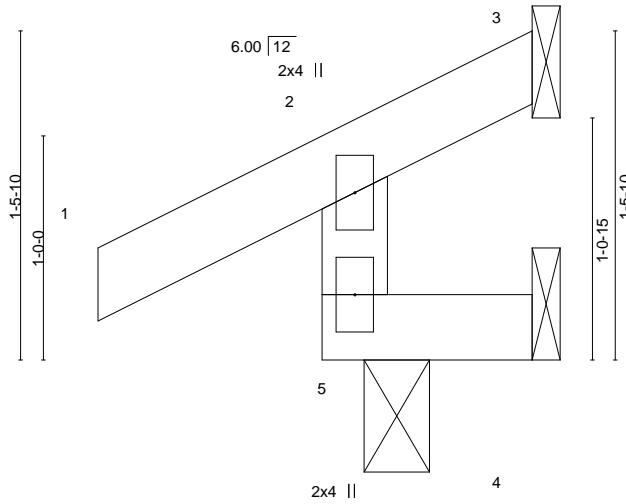
Apex, NC - 27523,

8.530 s Dec 6 2021 MiTek Industries, Inc. Thu May 5 08:37:08 2022 Page 1

ID:jww8HilN90uFSTm7sxLqmezW8I3-zwak0IPqGB6Nz_iF5vrLnqVQcu1EPqBapCMZYhZc?v



Scale = 1:10.3



| LOADING (psf) | SPACING- | CSI. | DEFL. | in (loc) | l/defl | L/d | PLATES | GRIP |
|---------------|----------------------|-----------|----------|----------|--------|------|--------------|----------|
| TCLL 20.0 | 2-0-0 | TC 0.09 | Vert(LL) | 0.00 | 5 | >999 | MT20 | 244/190 |
| TCDL 10.0 | Plate Grip DOL 1.15 | BC 0.02 | Vert(CT) | 0.00 | 5 | >999 | | |
| BCLL 0.0 * | Lumber DOL 1.15 | WB 0.00 | Horz(CT) | -0.00 | 3 | n/a | | |
| BCDL 10.0 | Rep Stress Incr YES | Matrix-MR | Wind(LL) | 0.00 | 5 | >999 | | |
| | Code IRC2015/TPI2014 | | | | | | Weight: 6 lb | FT = 20% |

LUMBER-

TOP CHORD 2x4 SP No.2
 BOT CHORD 2x4 SP No.2
 WEBS 2x4 SP No.3

BRACING-

TOP CHORD Structural wood sheathing directly applied or 0-11-4 oc purlins, except end verticals.
 BOT CHORD Rigid ceiling directly applied or 10-0-0 oc bracing.

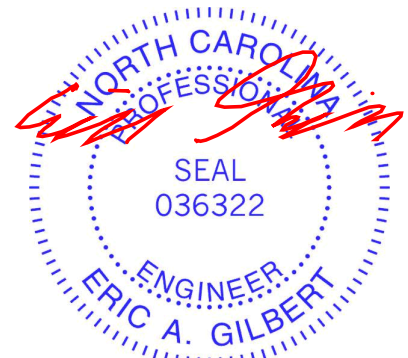
REACTIONS.

(size) 5=0-3-8, 3=Mechanical, 4=Mechanical
 Max Horz 5=28(LC 9)
 Max Uplift 5=-11(LC 12), 3=-16(LC 1), 4=-6(LC 9)
 Max Grav 5=150(LC 1), 3=3(LC 8), 4=11(LC 3)

FORCES. (lb) - Max. Comp./Max. Ten. - All forces 250 (lb) or less except when shown.

NOTES-

- 1) Wind: ASCE 7-10; Vult=115mph Vasd=91mph; TCDL=6.0psf; BCDL=6.0psf; h=32ft; Cat. II; Exp B; Enclosed; MWFRS (envelope) gable end zone and C-C Exterior(2) zone; cantilever left and right exposed; end vertical left and right exposed; C-C for members and forces & MWFRS for reactions shown; Lumber DOL=1.60 plate grip DOL=1.60
- 2) This truss has been designed for a 10.0 psf bottom chord live load nonconcurrent with any other live loads.
- 3) * This truss has been designed for a live load of 20.0psf on the bottom chord in all areas where a rectangle 3-6-0 tall by 2-0-0 wide will fit between the bottom chord and any other members.
- 4) Refer to girder(s) for truss to truss connections.
- 5) Provide mechanical connection (by others) of truss to bearing plate capable of withstanding 100 lb uplift at joint(s) 5, 3, 4.



May 5, 2022

WARNING - Verify design parameters and READ NOTES ON THIS AND INCLUDED MITEK REFERENCE PAGE MII-7473 rev. 5/19/2020 BEFORE USE.

Design valid for use only with MiTek® connectors. This design is based only upon parameters shown, and is for an individual building component, not a truss system. Before use, the building designer must verify the applicability of design parameters and properly incorporate this design into the overall building design. Bracing indicated is to prevent buckling of individual truss web and/or chord members only. Additional temporary and permanent bracing is always required for stability and to prevent collapse with possible personal injury and property damage. For general guidance regarding the fabrication, storage, delivery, erection and bracing of trusses and truss systems, see

ANSI/TPI1 Quality Criteria, DSB-89 and BCSI Building Component

Safety Information available from Truss Plate Institute, 2670 Crain Highway, Suite 203 Waldorf, MD 20601



818 Soundside Road
 Edenton, NC 27932

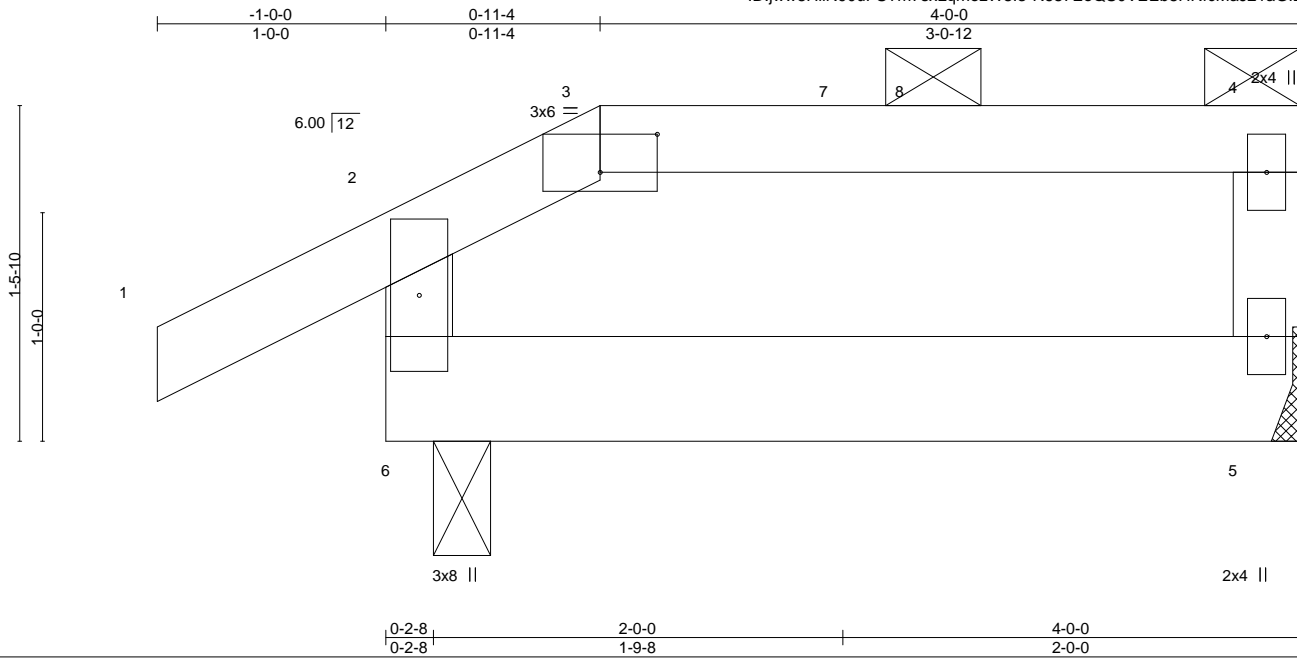
| | | | | | | |
|--------|-------|------------|-----|-----|--------------------------|-----------|
| Job | Truss | Truss Type | Qty | Ply | Clearwater French | 151769170 |
| MASTER | J03GR | MONO HIP | 2 | 1 | Job Reference (optional) | |

Builders FirstSource (Apex, NC),

Apex, NC - 27523,

8.530 s Dec 6 2021 MiTek Industries, Inc. Thu May 5 08:37:09 2022 Page 1

ID:jww8HilN90uFSTm7sxLqmezW8I3-R687EeQSOVEEb8HRfCmaJ21aGILg8HBj1s5648zJc?u



Scale = 1:10.1

| | | | | | | | | | |
|------------------------|----------------------|-------|-------------|----------------|----------|--------|-----|---------------|-------------|
| Plate Offsets (X, Y)-- | [3:0-3-0,0-2-0] | | | | | | | | |
| LOADING (psf) | SPACING- | 2-0-0 | CSI. | DEFL. | in (loc) | l/defl | L/d | PLATES | GRIP |
| TCLL 20.0 | Plate Grip DOL 1.15 | | TC 0.16 | Vert(LL) -0.00 | 5-6 | >999 | 360 | MT20 | 244/190 |
| TCDL 10.0 | Lumber DOL 1.15 | | BC 0.07 | Vert(CT) -0.01 | 5-6 | >999 | 240 | | |
| BCLL 0.0 * | Rep Stress Incr NO | | WB 0.02 | Horz(CT) 0.00 | | n/a | n/a | | |
| BCDL 10.0 | Code IRC2015/TPI2014 | | Matrix-MS | Wind(LL) 0.00 | 5-6 | >999 | 240 | Weight: 19 lb | FT = 20% |

| | |
|-----------------------|--|
| LUMBER- | BRACING- |
| TOP CHORD 2x4 SP No.2 | TOP CHORD Structural wood sheathing directly applied or 4-0-0 oc purlins, except end verticals, and 2-0-0 oc purlins: 3-4. |
| BOT CHORD 2x6 SP No.2 | BOT CHORD Rigid ceiling directly applied or 10-0-0 oc bracing. |
| WEBS 2x4 SP No.3 | |

REACTIONS. (size) 6=0-3-0, 5=Mechanical
 Max Horz 6=27(LC 5)
 Max Uplift 6=-37(LC 8), 5=-29(LC 5)
 Max Grav 6=215(LC 1), 5=128(LC 20)

FORCES. (lb) - Max. Comp./Max. Ten. - All forces 250 (lb) or less except when shown.

- NOTES-**
- 1) Unbalanced roof live loads have been considered for this design.
 - 2) Wind: ASCE 7-10; Vult=115mph Vasd=91mph; TCDL=6.0psf; BCDL=6.0psf; h=32ft; Cat. II; Exp B; Enclosed; MWFRS (envelope) gable end zone; cantilever left and right exposed; end vertical left and right exposed; Lumber DOL=1.60 plate grip DOL=1.60
 - 3) Provide adequate drainage to prevent water ponding.
 - 4) This truss has been designed for a 10.0 psf bottom chord live load nonconcurrent with any other live loads.
 - 5) * This truss has been designed for a live load of 20.0psf on the bottom chord in all areas where a rectangle 3-6-0 tall by 2-0-0 wide will fit between the bottom chord and any other members.
 - 6) Refer to girder(s) for truss to truss connections.
 - 7) Provide mechanical connection (by others) of truss to bearing plate capable of withstanding 100 lb uplift at joint(s) 6, 5.
 - 8) Graphical purlin representation does not depict the size or the orientation of the purlin along the top and/or bottom chord.
 - 9) Hanger(s) or other connection device(s) shall be provided sufficient to support concentrated load(s) 75 lb up at 2-0-12 on top chord. The design/selection of such connection device(s) is the responsibility of others.
 - 10) In the LOAD CASE(S) section, loads applied to the face of the truss are noted as front (F) or back (B).

LOAD CASE(S) Standard

- 1) Dead + Roof Live (balanced): Lumber Increase=1.15, Plate Increase=1.15
 Uniform Loads (plf)
 Vert: 1-2=-60, 2-3=-60, 3-4=-60, 5-6=-20
 Concentrated Loads (lb)
 Vert: 7=27(B)



May 5, 2022

| | | | | | | |
|--------|-------|------------|-----|-----|-------------------|-----------|
| Job | Truss | Truss Type | Qty | Ply | Clearwater French | 151769171 |
| MASTER | PB01 | GABLE | 24 | 1 | | |

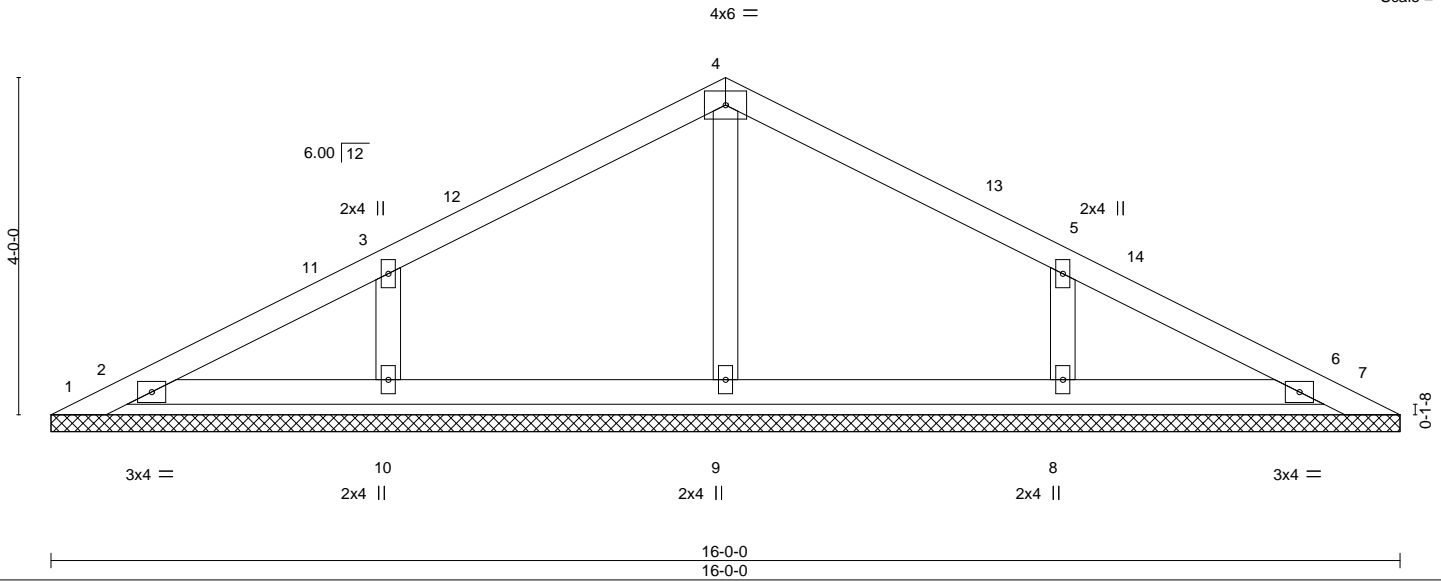
Builders FirstSource (Apex, NC),

Apex, NC - 27523,

8.530 s Dec 6 2021 MiTek Industries, Inc. Thu May 5 08:37:10 2022 Page 1
 ID:jww8HilN9ouFSTm7sxLqmezW8I3-vliVR_Q4npM5CIsdDKtpsFakDih3tkmtGWrgcazJc?t



Scale = 1:27.3



| LOADING (psf) | SPACING- | 2-0-0 | CSI. | DEFL. | in (loc) | l/defl | L/d | PLATES | GRIP | |
|---------------|----------------------|-------|----------|----------|----------|--------|-----|--------|---------------|----------|
| TCLL 20.0 | Plate Grip DOL | 1.15 | TC 0.21 | Vert(LL) | n/a | - | n/a | 999 | MT20 | 244/190 |
| TCDL 10.0 | Lumber DOL | 1.15 | BC 0.12 | Vert(CT) | n/a | - | n/a | 999 | | |
| BCLL 0.0 * | Rep Stress Incr | NO | WB 0.06 | Horz(CT) | 0.00 | 6 | n/a | n/a | | |
| BCDL 10.0 | Code IRC2015/TPI2014 | | Matrix-S | | | | | | Weight: 57 lb | FT = 20% |

LUMBER-
 TOP CHORD 2x4 SP No.2
 BOT CHORD 2x4 SP No.2
 OTHERS 2x4 SP No.3

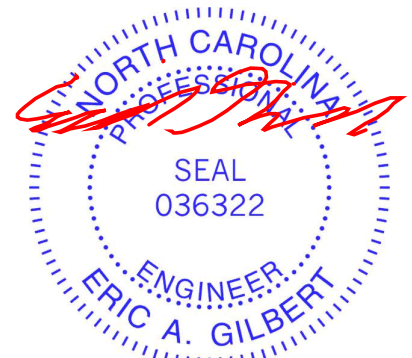
BRACING-
 TOP CHORD Structural wood sheathing directly applied or 6-0-0 oc purlins.
 BOT CHORD Rigid ceiling directly applied or 10-0-0 oc bracing.

REACTIONS. All bearings 16-0-0.
 (lb) - Max Horz 1=51(LC 16)
 Max Uplift All uplift 100 lb or less at joint(s) 1, 7, 2, 6, 10, 8
 Max Grav All reactions 250 lb or less at joint(s) 1, 7, 2, 6 except 9=281(LC 1), 10=322(LC 23), 8=322(LC 24)

FORCES. (lb) - Max. Comp./Max. Ten. - All forces 250 (lb) or less except when shown.

NOTES-

- 1) Unbalanced roof live loads have been considered for this design.
- 2) Wind: ASCE 7-10; Vult=115mph Vasd=91mph; TCDL=6.0psf; BCDL=6.0psf; h=32ft; Cat. II; Exp B; Enclosed; MWFRS (envelope) gable end zone and C-C Corner(3) 0-3-15 to 3-3-15, Exterior(2) 3-3-15 to 8-0-0, Corner(3) 8-0-0 to 11-0-0, Exterior(2) 11-0-0 to 15-8-1 zone; cantilever left and right exposed; end vertical left and right exposed; C-C for members and forces & MWFRS for reactions shown; Lumber DOL=1.60 plate grip DOL=1.60
- 3) Truss designed for wind loads in the plane of the truss only. For studs exposed to wind (normal to the face), see Standard Industry Gable End Details as applicable, or consult qualified building designer as per ANSI/TPI 1.
- 4) Gable requires continuous bottom chord bearing.
- 5) Gable studs spaced at 4-0-0 oc.
- 6) This truss has been designed for a 10.0 psf bottom chord live load nonconcurrent with any other live loads.
- 7) * This truss has been designed for a live load of 20.0psf on the bottom chord in all areas where a rectangle 3-6-0 tall by 2-0-0 wide will fit between the bottom chord and any other members.
- 8) Provide mechanical connection (by others) of truss to bearing plate capable of withstanding 100 lb uplift at joint(s) 1, 7, 2, 6, 10, 8.
- 9) See Standard Industry Piggyback Truss Connection Detail for Connection to base truss as applicable, or consult qualified building designer.



May 5, 2022

WARNING - Verify design parameters and READ NOTES ON THIS AND INCLUDED MITEK REFERENCE PAGE MII-7473 rev. 5/19/2020 BEFORE USE.
 Design valid for use only with MiTek® connectors. This design is based only upon parameters shown, and is for an individual building component, not a truss system. Before use, the building designer must verify the applicability of design parameters and properly incorporate this design into the overall building design. Bracing indicated is to prevent buckling of individual truss web and/or chord members only. Additional temporary and permanent bracing is always required for stability and to prevent collapse with possible personal injury and property damage. For general guidance regarding the fabrication, storage, delivery, erection and bracing of trusses and truss systems, see **ANSI/TPI1 Quality Criteria, DSB-89 and BCSI Building Component Safety Information** available from Truss Plate Institute, 2670 Crain Highway, Suite 203 Waldorf, MD 20601

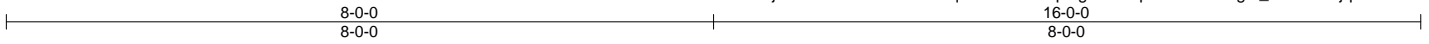


818 Soundside Road
 Edenton, NC 27932

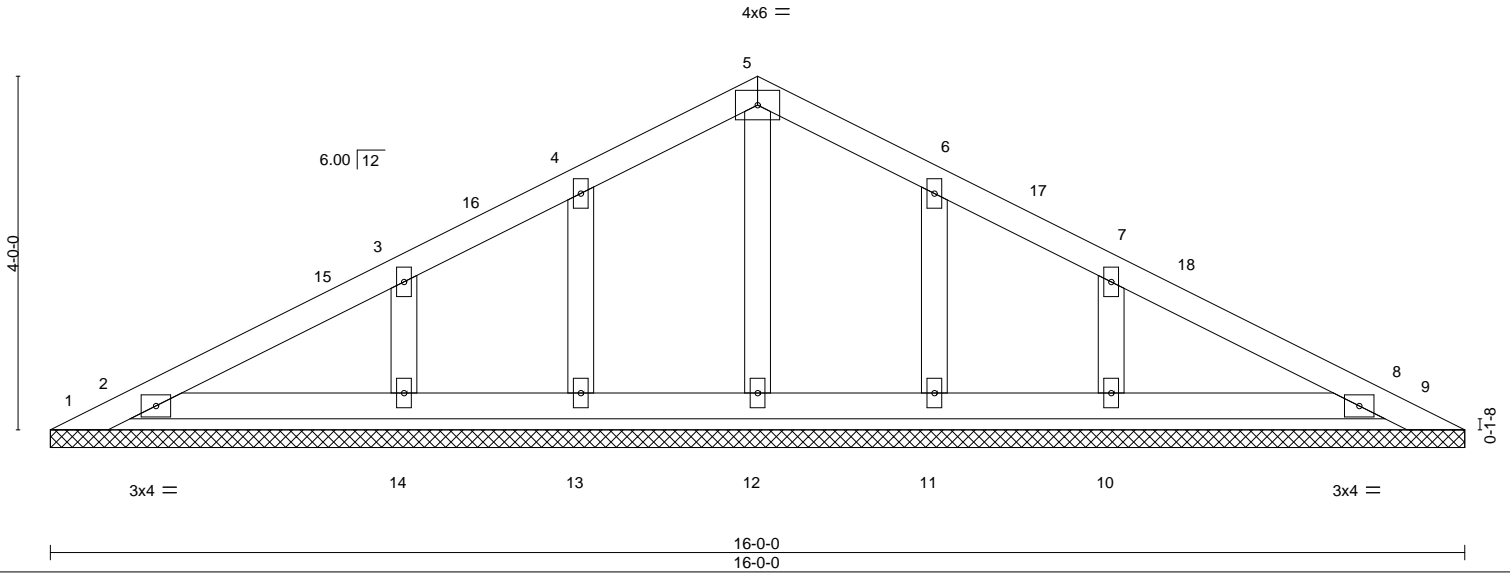
| | | | | | | |
|--------|-------|------------|-----|-----|--------------------------|-----------|
| Job | Truss | Truss Type | Qty | Ply | Clearwater French | 151769172 |
| MASTER | PB01G | GABLE | 2 | 1 | Job Reference (optional) | |

Builders FirstSource (Apex, NC), Apex, NC - 27523, 8.530 s Dec 6 2021 MiTek Industries, Inc. Thu May 5 08:37:12 2022 Page 1

ID:jww8HilN90uFSTm7sxLqmezW8I3-rhqFsgSKJQcpSb00KkvHxgf6_VNQLefAjqKnhTzJc?r



Scale = 1:26.1



| LOADING (psf) | SPACING- | CSI. | DEFL. | PLATES | GRIP |
|---------------|----------------------|----------|-------------------------|---------------|----------|
| TCLL 20.0 | 2-0-0 | TC 0.13 | in (loc) l/defl L/d | MT20 | 244/190 |
| TCDL 10.0 | Plate Grip DOL 1.15 | BC 0.07 | Vert(LL) n/a - n/a 999 | | |
| BCLL 0.0 * | Lumber DOL 1.15 | WB 0.03 | Vert(CT) n/a - n/a 999 | | |
| BCDL 10.0 | Rep Stress Incr NO | Matrix-S | Horz(CT) 0.00 8 n/a n/a | Weight: 63 lb | FT = 20% |
| | Code IRC2015/TPI2014 | | | | |

LUMBER-
 TOP CHORD 2x4 SP No.2
 BOT CHORD 2x4 SP No.2
 OTHERS 2x4 SP No.3

BRACING-
 TOP CHORD Structural wood sheathing directly applied or 6-0-0 oc purlins.
 BOT CHORD Rigid ceiling directly applied or 10-0-0 oc bracing.

REACTIONS. All bearings 16-0-0.
 (lb) - Max Horz 1=51(LC 12)
 Max Uplift All uplift 100 lb or less at joint(s) 1, 9, 2, 8, 13, 14, 11, 10
 Max Grav All reactions 250 lb or less at joint(s) 1, 9, 2, 8, 12, 13, 14, 11, 10

FORCES. (lb) - Max. Comp./Max. Ten. - All forces 250 (lb) or less except when shown.

- NOTES-**
- 1) Unbalanced roof live loads have been considered for this design.
 - 2) Wind: ASCE 7-10; Vult=115mph Vasd=91mph; TCDL=6.0psf; BCDL=6.0psf; h=32ft; Cat. II; Exp B; Enclosed; MWFRS (envelope) gable end zone and C-C Corner(3) 0-3-15 to 3-3-15, Exterior(2) 3-3-15 to 8-0-0, Corner(3) 8-0-0 to 11-0-0, Exterior(2) 11-0-0 to 15-8-1 zone; cantilever left and right exposed; end vertical left and right exposed; C-C for members and forces & MWFRS for reactions shown; Lumber DOL=1.60 plate grip DOL=1.60
 - 3) Truss designed for wind loads in the plane of the truss only. For studs exposed to wind (normal to the face), see Standard Industry Gable End Details as applicable, or consult qualified building designer as per ANSI/TPI 1.
 - 4) All plates are 2x4 MT20 unless otherwise indicated.
 - 5) Gable requires continuous bottom chord bearing.
 - 6) Gable studs spaced at 2-0-0 oc.
 - 7) This truss has been designed for a 10.0 psf bottom chord live load nonconcurrent with any other live loads.
 - 8) * This truss has been designed for a live load of 20.0psf on the bottom chord in all areas where a rectangle 3-6-0 tall by 2-0-0 wide will fit between the bottom chord and any other members.
 - 9) Provide mechanical connection (by others) of truss to bearing plate capable of withstanding 100 lb uplift at joint(s) 1, 9, 2, 8, 13, 14, 11, 10.
 - 10) See Standard Industry Piggyback Truss Connection Detail for Connection to base truss as applicable, or consult qualified building designer.



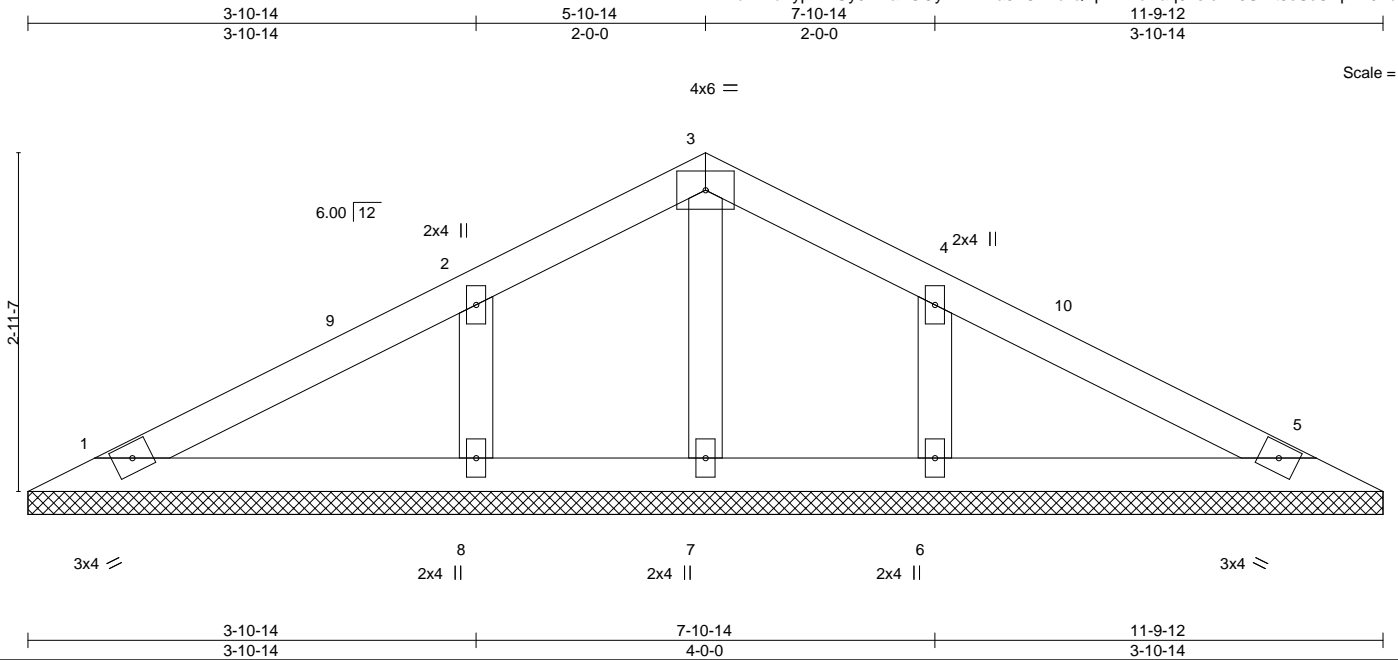
WARNING - Verify design parameters and READ NOTES ON THIS AND INCLUDED MITEK REFERENCE PAGE MII-7473 rev. 5/19/2020 BEFORE USE.
 Design valid for use only with MiTek® connectors. This design is based only upon parameters shown, and is for an individual building component, not a truss system. Before use, the building designer must verify the applicability of design parameters and properly incorporate this design into the overall building design. Bracing indicated is to prevent buckling of individual truss web and/or chord members only. Additional temporary and permanent bracing is always required for stability and to prevent collapse with possible personal injury and property damage. For general guidance regarding the fabrication, storage, delivery, erection and bracing of trusses and truss systems, see **ANSI/TPI1 Quality Criteria, DSB-89 and BCSI Building Component Safety Information** available from Truss Plate Institute, 2670 Crain Highway, Suite 203 Waldorf, MD 20601

ENGINEERING BY
TRENCO
 A MiTek Affiliate
 818 Soundside Road
 Edenton, NC 27932

| | | | | | | |
|--------|-------|------------|-----|-----|--------------------------|-----------|
| Job | Truss | Truss Type | Qty | Ply | Clearwater French | 151769173 |
| MASTER | V01 | GABLE | 1 | 1 | Job Reference (optional) | |

Builders FirstSource, Apex, NC 27523

8.530 s Dec 6 2021 MiTek Industries, Inc. Thu May 5 11:01:51 2022 Page 1
 ID:zBklr1dFypInNUy02maTGgyYVbm-a5nOVzuiQBpzMXeHaq6nscFF3UrLt8eScCXpwwJZuE



| | | | | | | | | | |
|----------------------|----------------------|-------|-------------|--------------|----------|--------|-----|---------------|-------------|
| LOADING (psf) | SPACING- | 2-0-0 | CSI. | DEFL. | in (loc) | l/defl | L/d | PLATES | GRIP |
| TCLL 20.0 | Plate Grip DOL | 1.15 | TC 0.22 | Vert(LL) | n/a | - | n/a | MT20 | 244/190 |
| TCDL 10.0 | Lumber DOL | 1.15 | BC 0.14 | Vert(CT) | n/a | - | n/a | | |
| BCLL 0.0 * | Rep Stress Incr | YES | WB 0.04 | Horz(CT) | 0.00 | 5 | n/a | | |
| BCDL 10.0 | Code IRC2015/TPI2014 | | Matrix-S | | | | | Weight: 43 lb | FT = 20% |

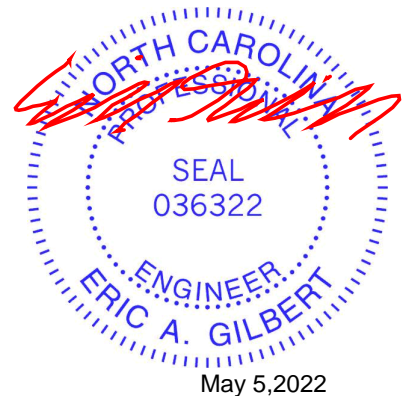
- LUMBER-**
 TOP CHORD 2x4 SP No.3
 BOT CHORD 2x4 SP No.3
 WEBS 2x4 SP No.3
 OTHERS 2x4 SP No.3
- BRACING-**
 TOP CHORD Structural wood sheathing directly applied or 6-0-0 oc purlins.
 BOT CHORD Rigid ceiling directly applied or 10-0-0 oc bracing.

- REACTIONS.** All bearings 11-9-12.
 (lb) - Max Horz 1=35(LC 12)
 Max Uplift All uplift 100 lb or less at joint(s) 5, 6, 8
 Max Grav All reactions 250 lb or less at joint(s) 1, 5, 7 except 6=278(LC 1), 8=278(LC 1)

FORCES. (lb) - Max. Comp./Max. Ten. - All forces 250 (lb) or less except when shown.

- NOTES-**
- Unbalanced roof live loads have been considered for this design.
 - Wind: ASCE 7-10; Vult=115mph Vasd=91mph; TC DL=6.0psf; BC DL=6.0psf; h=32ft; Cat. II; Exp B; Enclosed; MWFRS (envelope) gable end zone and C-C Exterior(2) 0-7-7 to 3-10-14, Interior(1) 3-10-14 to 5-10-14, Exterior(2) 5-10-14 to 8-10-14, Interior(1) 8-10-14 to 11-2-6 zone; cantilever left and right exposed; end vertical left and right exposed; C-C for members and forces & MWFRS for reactions shown; Lumber DOL=1.60 plate grip DOL=1.60
 - Gable requires continuous bottom chord bearing.
 - This truss has been designed for a 10.0 psf bottom chord live load nonconcurrent with any other live loads.
 - * This truss has been designed for a live load of 20.0psf on the bottom chord in all areas where a rectangle 3-6-0 tall by 2-0-0 wide will fit between the bottom chord and any other members.
 - Provide mechanical connection (by others) of truss to bearing plate capable of withstanding 100 lb uplift at joint(s) 5, 6, 8.
 - This truss is designed in accordance with the 2015 International Residential Code sections R502.11.1 and R802.10.2 and referenced standard ANSI/TPI 1.

- LOAD CASE(S)**
- Dead + Roof Live (balanced): Lumber Increase=1.15, Plate Increase=1.15
 Uniform Loads (plf)
 Vert: 1-3=-60, 3-5=-60, 1-5=-20
 - Dead + 0.75 Roof Live (balanced): Lumber Increase=1.15, Plate Increase=1.15
 Uniform Loads (plf)
 Vert: 1-3=-50, 3-5=-50, 1-5=-20
 - Dead + Uninhabitable Attic Without Storage: Lumber Increase=1.25, Plate Increase=1.25
 Uniform Loads (plf)
 Vert: 1-3=-20, 3-5=-20, 1-5=-40
 - Dead + 0.6 C-C Wind (Pos. Internal) Case 1: Lumber Increase=1.60, Plate Increase=1.60
 Uniform Loads (plf)
 Vert: 1-2=26, 2-3=13, 3-10=26, 5-10=13, 1-5=-12
 Horz: 1-2=-38, 2-3=-25, 3-10=38, 5-10=25



Continued on page 2

WARNING - Verify design parameters and READ NOTES ON THIS AND INCLUDED MITEK REFERENCE PAGE MII-7473 rev. 5/19/2020 BEFORE USE.
 Design valid for use only with MiTek® connectors. This design is based only upon parameters shown, and is for an individual building component, not a truss system. Before use, the building designer must verify the applicability of design parameters and properly incorporate this design into the overall building design. Bracing indicated is to prevent buckling of individual truss web and/or chord members only. Additional temporary and permanent bracing is always required for stability and to prevent collapse with possible personal injury and property damage. For general guidance regarding the fabrication, storage, delivery, erection and bracing of trusses and truss systems, see **ANSI/TPI1 Quality Criteria, DSB-89 and BCSI Building Component Safety Information** available from Truss Plate Institute, 2670 Crain Highway, Suite 203 Waldorf, MD 20601



| | | | | | | |
|--------|-------|------------|-----|-----|--------------------------|-----------|
| Job | Truss | Truss Type | Qty | Ply | Clearwater French | IS1769173 |
| MASTER | V01 | GABLE | 1 | 1 | Job Reference (optional) | |

Builders FirstSource, Apex, NC 27523

8.530 s Dec 6 2021 MiTek Industries, Inc. Thu May 5 11:01:51 2022 Page 2
 ID:zbkIrl1dFypInNUy02maTGgYyVBm-a5nOVzuiQPzBMxHaq6nsfcFF3UrLt8eScCXpwzJZuE

LOAD CASE(S)

- 5) Dead + 0.6 C-C Wind (Pos. Internal) Case 2: Lumber Increase=1.60, Plate Increase=1.60
 Uniform Loads (plf)
 Vert: 1-9=13, 3-9=26, 3-4=13, 4-5=26, 1-5=-12
 Horz: 1-9=-25, 3-9=-38, 3-4=25, 4-5=38
- 6) Dead + 0.6 C-C Wind (Neg. Internal) Case 1: Lumber Increase=1.60, Plate Increase=1.60
 Uniform Loads (plf)
 Vert: 1-3=-33, 3-5=-33, 1-5=-20
 Horz: 1-3=13, 3-5=13
- 7) Dead + 0.6 C-C Wind (Neg. Internal) Case 2: Lumber Increase=1.60, Plate Increase=1.60
 Uniform Loads (plf)
 Vert: 1-3=-33, 3-5=-33, 1-5=-20
 Horz: 1-3=13, 3-5=13
- 8) Dead + 0.6 MWFRS Wind (Pos. Internal) Left: Lumber Increase=1.60, Plate Increase=1.60
 Uniform Loads (plf)
 Vert: 1-3=-3, 3-5=7, 1-5=-12
 Horz: 1-3=-9, 3-5=19
- 9) Dead + 0.6 MWFRS Wind (Pos. Internal) Right: Lumber Increase=1.60, Plate Increase=1.60
 Uniform Loads (plf)
 Vert: 1-3=7, 3-5=-3, 1-5=-12
 Horz: 1-3=-19, 3-5=9
- 10) Dead + 0.6 MWFRS Wind (Neg. Internal) Left: Lumber Increase=1.60, Plate Increase=1.60
 Uniform Loads (plf)
 Vert: 1-3=-20, 3-5=-10, 1-5=-20
 Horz: 1-3=-0, 3-5=10
- 11) Dead + 0.6 MWFRS Wind (Neg. Internal) Right: Lumber Increase=1.60, Plate Increase=1.60
 Uniform Loads (plf)
 Vert: 1-3=-10, 3-5=-20, 1-5=-20
 Horz: 1-3=-10, 3-5=0
- 12) Dead + 0.6 MWFRS Wind (Pos. Internal) 1st Parallel: Lumber Increase=1.60, Plate Increase=1.60
 Uniform Loads (plf)
 Vert: 1-3=19, 3-5=5, 1-5=-12
 Horz: 1-3=-31, 3-5=17
- 13) Dead + 0.6 MWFRS Wind (Pos. Internal) 2nd Parallel: Lumber Increase=1.60, Plate Increase=1.60
 Uniform Loads (plf)
 Vert: 1-3=5, 3-5=19, 1-5=-12
 Horz: 1-3=-17, 3-5=31
- 14) Dead + 0.6 MWFRS Wind (Pos. Internal) 3rd Parallel: Lumber Increase=1.60, Plate Increase=1.60
 Uniform Loads (plf)
 Vert: 1-3=9, 3-5=2, 1-5=-12
 Horz: 1-3=-21, 3-5=14
- 15) Dead + 0.6 MWFRS Wind (Pos. Internal) 4th Parallel: Lumber Increase=1.60, Plate Increase=1.60
 Uniform Loads (plf)
 Vert: 1-3=2, 3-5=9, 1-5=-12
 Horz: 1-3=-14, 3-5=21
- 16) Dead + 0.6 MWFRS Wind (Neg. Internal) 1st Parallel: Lumber Increase=1.60, Plate Increase=1.60
 Uniform Loads (plf)
 Vert: 1-3=2, 3-5=-11, 1-5=-20
 Horz: 1-3=-22, 3-5=9
- 17) Dead + 0.6 MWFRS Wind (Neg. Internal) 2nd Parallel: Lumber Increase=1.60, Plate Increase=1.60
 Uniform Loads (plf)
 Vert: 1-3=-11, 3-5=2, 1-5=-20
 Horz: 1-3=-9, 3-5=22
- 18) Dead: Lumber Increase=0.90, Plate Increase=0.90 Plt. metal=0.90
 Uniform Loads (plf)
 Vert: 1-3=-20, 3-5=-20, 1-5=-20
- 19) Dead + 0.75 Roof Live (bal.) + 0.75(0.6 MWFRS Wind (Neg. Int) Left): Lumber Increase=1.60, Plate Increase=1.60
 Uniform Loads (plf)
 Vert: 1-3=-50, 3-5=-43, 1-5=-20
 Horz: 1-3=-0, 3-5=7
- 20) Dead + 0.75 Roof Live (bal.) + 0.75(0.6 MWFRS Wind (Neg. Int) Right): Lumber Increase=1.60, Plate Increase=1.60
 Uniform Loads (plf)
 Vert: 1-3=-43, 3-5=-50, 1-5=-20
 Horz: 1-3=-7, 3-5=0
- 21) Dead + 0.75 Roof Live (bal.) + 0.75(0.6 MWFRS Wind (Neg. Int) 1st Parallel): Lumber Increase=1.60, Plate Increase=1.60
 Uniform Loads (plf)
 Vert: 1-3=-34, 3-5=-44, 1-5=-20
 Horz: 1-3=-16, 3-5=6
- 22) Dead + 0.75 Roof Live (bal.) + 0.75(0.6 MWFRS Wind (Neg. Int) 2nd Parallel): Lumber Increase=1.60, Plate Increase=1.60
 Uniform Loads (plf)
 Vert: 1-3=-44, 3-5=-34, 1-5=-20
 Horz: 1-3=-6, 3-5=16
- 23) 1st Dead + Roof Live (unbalanced): Lumber Increase=1.15, Plate Increase=1.15
 Uniform Loads (plf)
 Vert: 1-3=-60, 3-5=-20, 1-5=-20
- 24) 2nd Dead + Roof Live (unbalanced): Lumber Increase=1.15, Plate Increase=1.15
 Uniform Loads (plf)
 Vert: 1-3=-20, 3-5=-60, 1-5=-20

Continued on page 3

WARNING - Verify design parameters and READ NOTES ON THIS AND INCLUDED MITEK REFERENCE PAGE MII-7473 rev. 5/19/2020 BEFORE USE.

Design valid for use only with MiTek® connectors. This design is based only upon parameters shown, and is for an individual building component, not a truss system. Before use, the building designer must verify the applicability of design parameters and properly incorporate this design into the overall building design. Bracing indicated is to prevent buckling of individual truss web and/or chord members only. Additional temporary and permanent bracing is always required for stability and to prevent collapse with possible personal injury and property damage. For general guidance regarding the fabrication, storage, delivery, erection and bracing of trusses and truss systems, see **ANSI/TPI1 Quality Criteria, DSB-89 and BCSI Building Component Safety Information** available from Truss Plate Institute, 2670 Crain Highway, Suite 203 Waldorf, MD 20601



818 Soundside Road
 Edenton, NC 27932

| | | | | | | |
|--------|-------|------------|-----|-----|--------------------------|-----------|
| Job | Truss | Truss Type | Qty | Ply | Clearwater French | I51769173 |
| MASTER | V01 | GABLE | 1 | 1 | Job Reference (optional) | |

Builders FirstSource, Apex, NC 27523

8.530 s Dec 6 2021 MiTek Industries, Inc. Thu May 5 11:01:51 2022 Page 3
 ID:zbkIrl1dFypInNUy02maTGyYVbm-a5nOVzuiQBpzMXeHaq6nscFF3UrL8eScCXpwzJZuE

LOAD CASE(S)

- 25) 3rd Dead + 0.75 Roof Live (unbalanced): Lumber Increase=1.15, Plate Increase=1.15
 Uniform Loads (plf)
 Vert: 1-3=-50, 3-5=-20, 1-5=-20
- 26) 4th Dead + 0.75 Roof Live (unbalanced): Lumber Increase=1.15, Plate Increase=1.15
 Uniform Loads (plf)
 Vert: 1-3=-20, 3-5=-50, 1-5=-20

WARNING - Verify design parameters and READ NOTES ON THIS AND INCLUDED MITEK REFERENCE PAGE MII-7473 rev. 5/19/2020 BEFORE USE.

Design valid for use only with MiTek® connectors. This design is based only upon parameters shown, and is for an individual building component, not a truss system. Before use, the building designer must verify the applicability of design parameters and properly incorporate this design into the overall building design. Bracing indicated is to prevent buckling of individual truss web and/or chord members only. Additional temporary and permanent bracing is always required for stability and to prevent collapse with possible personal injury and property damage. For general guidance regarding the fabrication, storage, delivery, erection and bracing of trusses and truss systems, see **ANSI/TPI1 Quality Criteria, DSB-89 and BCSI Building Component Safety Information** available from Truss Plate Institute, 2670 Crain Highway, Suite 203 Waldorf, MD 20601



818 Soundside Road
 Edenton, NC 27932

| | | | | | | |
|---------------|--------------|----------------------|----------|----------|---|-----------|
| Job MASTER | Truss V02 | Truss Type VALLEY | Qty 1 | Ply 1 | Clearwater French Job Reference (optional) | 151769174 |
|---------------|--------------|----------------------|----------|----------|---|-----------|

Builders FirstSource (Apex, NC),

Apex, NC - 27523,

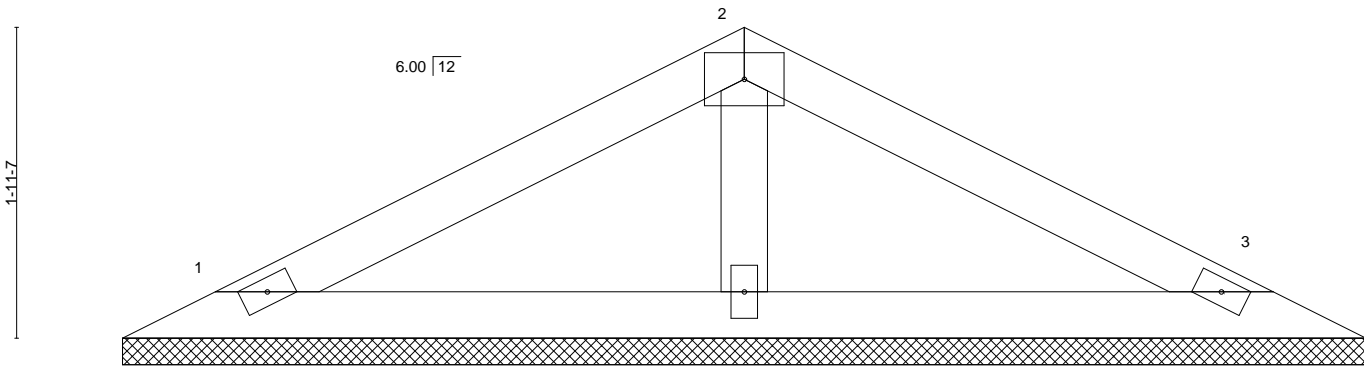
8.530 s Dec 6 2021 MiTek Industries, Inc. Thu May 5 08:37:13 2022 Page 1

ID:zblkr1dFypInNUy02maTGyYVBm-JtOd40Ty4kkf3lbCuSRWUuCEwwis45rJyU3KDvzJc?q



Scale = 1:14.5

4x6 =



2x4 =

2x4 ||

2x4 =

7-9-12
7-9-12

| LOADING (psf) | SPACING- | CSI. | DEFL. | in (loc) | l/defl | L/d | PLATES | GRIP |
|---------------|----------------------|----------|----------|----------|--------|-----|---------------|----------|
| TCLL 20.0 | 2-0-0 | TC 0.24 | Vert(LL) | n/a | - | n/a | MT20 | 244/190 |
| TCDL 10.0 | Plate Grip DOL 1.15 | BC 0.18 | Vert(CT) | n/a | - | n/a | | |
| BCLL 0.0 * | Lumber DOL 1.15 | WB 0.04 | Horz(CT) | 0.00 | 3 | n/a | | |
| BCDL 10.0 | Rep Stress Incr YES | Matrix-S | | | | | | |
| | Code IRC2015/TPI2014 | | | | | | Weight: 25 lb | FT = 20% |

LUMBER-
 TOP CHORD 2x4 SP No.3
 BOT CHORD 2x4 SP No.3
 OTHERS 2x4 SP No.3

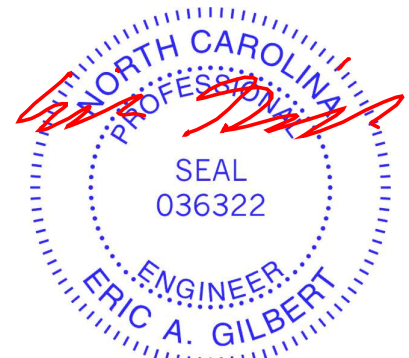
BRACING-
 TOP CHORD Structural wood sheathing directly applied or 6-0-0 oc purlins.
 BOT CHORD Rigid ceiling directly applied or 10-0-0 oc bracing.

REACTIONS. (size) 1=7-9-12, 3=7-9-12, 4=7-9-12
 Max Horz 1=22(LC 12)
 Max Uplift 1=-12(LC 12), 3=-16(LC 13)
 Max Grav 1=121(LC 23), 3=121(LC 24), 4=288(LC 1)

FORCES. (lb) - Max. Comp./Max. Ten. - All forces 250 (lb) or less except when shown.

NOTES-

- 1) Unbalanced roof live loads have been considered for this design.
- 2) Wind: ASCE 7-10; Vult=115mph Vasd=91mph; TCDL=6.0psf; BCDL=6.0psf; h=32ft; Cat. II; Exp B; Enclosed; MWFRS (envelope) gable end zone and C-C Exterior(2) zone; cantilever left and right exposed ; end vertical left and right exposed;C-C for members and forces & MWFRS for reactions shown; Lumber DOL=1.60 plate grip DOL=1.60
- 3) Gable requires continuous bottom chord bearing.
- 4) This truss has been designed for a 10.0 psf bottom chord live load nonconcurrent with any other live loads.
- 5) * This truss has been designed for a live load of 20.0psf on the bottom chord in all areas where a rectangle 3-6-0 tall by 2-0-0 wide will fit between the bottom chord and any other members.
- 6) Provide mechanical connection (by others) of truss to bearing plate capable of withstanding 100 lb uplift at joint(s) 1, 3.



May 5, 2022

WARNING - Verify design parameters and READ NOTES ON THIS AND INCLUDED MITEK REFERENCE PAGE MII-7473 rev. 5/19/2020 BEFORE USE.

Design valid for use only with MiTek® connectors. This design is based only upon parameters shown, and is for an individual building component, not a truss system. Before use, the building designer must verify the applicability of design parameters and properly incorporate this design into the overall building design. Bracing indicated is to prevent buckling of individual truss web and/or chord members only. Additional temporary and permanent bracing is always required for stability and to prevent collapse with possible personal injury and property damage. For general guidance regarding the fabrication, storage, delivery, erection and bracing of trusses and truss systems, see

ANSI/TPI1 Quality Criteria, DSB-89 and BCSI Building Component

Safety Information available from Truss Plate Institute, 2670 Crain Highway, Suite 203 Waldorf, MD 20601



818 Soundside Road
 Edenton, NC 27932

| | | | | | |
|---------------|--------------|----------------------|----------|----------|--------------------------------|
| Job MASTER | Truss V03 | Truss Type VALLEY | Qty 1 | Ply 1 | Clearwater French 151769175 |
|---------------|--------------|----------------------|----------|----------|--------------------------------|

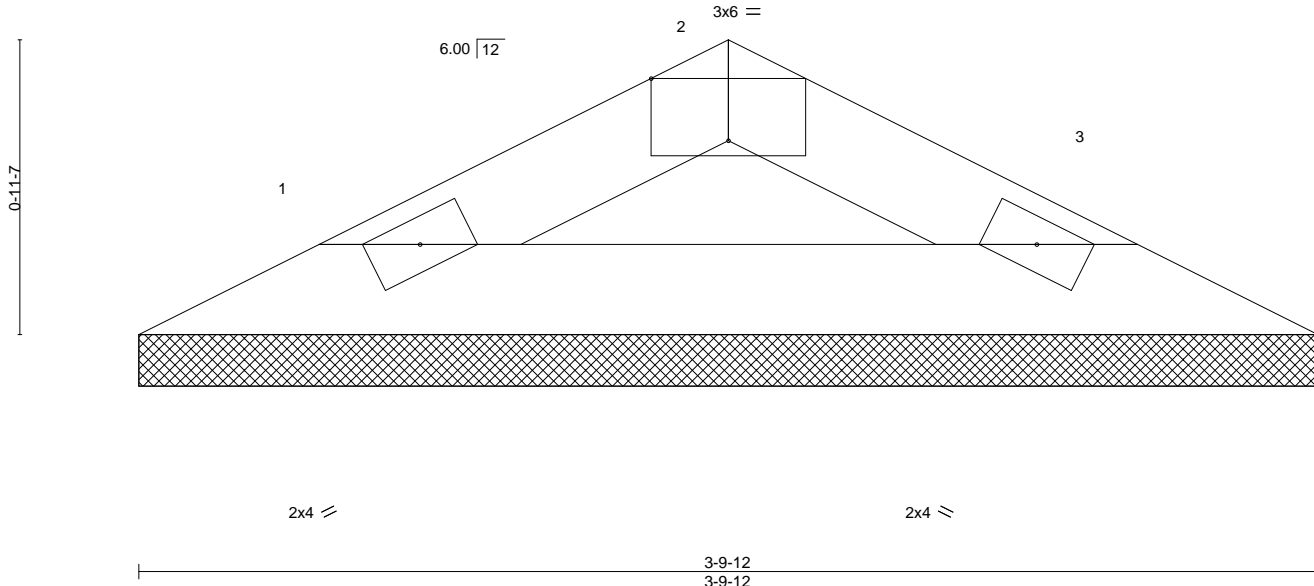
Builders FirstSource (Apex, NC), Apex, NC - 27523,

8.530 s Dec 6 2021 MiTek Industries, Inc. Thu May 5 08:37:14 2022 Page 1

ID:zbnk1r1dFypInNUy02maTGGyYVBM-o4y0HLTbr1sWhvAPS9yI05kSnJ2rpYhSB8ptLzJc?p



Scale = 1:7.5



| | | | | | | | |
|-----------------------|----------------------|-------|-------------|--------------|----------|--------|------------------------|
| Plate Offsets (X,Y)-- | [2:0-3-0,Edge] | | | | | | |
| LOADING (psf) | SPACING- | 2-0-0 | CSI. | DEFL. | in (loc) | l/defl | L/d |
| TCLL 20.0 | Plate Grip DOL | 1.15 | TC 0.04 | Vert(LL) | n/a | - | n/a 999 |
| TCDL 10.0 | Lumber DOL | 1.15 | BC 0.13 | Vert(CT) | n/a | - | n/a 999 |
| BCLL 0.0 * | Rep Stress Incr | YES | WB 0.00 | Horz(CT) | 0.00 | 3 | n/a n/a |
| BCDL 10.0 | Code IRC2015/TPI2014 | | Matrix-P | | | | |
| | | | | | | | PLATES MT20 |
| | | | | | | | GRIP 244/190 |
| | | | | | | | Weight: 10 lb FT = 20% |

| | | | |
|----------------|-------------|-----------------|--|
| LUMBER- | | BRACING- | |
| TOP CHORD | 2x4 SP No.3 | TOP CHORD | Structural wood sheathing directly applied or 3-9-12 oc purlins. |
| BOT CHORD | 2x4 SP No.3 | BOT CHORD | Rigid ceiling directly applied or 10-0-0 oc bracing. |

REACTIONS. (size) 1=3-9-12, 3=3-9-12
 Max Horz 1=9(LC 16)
 Max Uplift 1=3(LC 12), 3=3(LC 13)
 Max Grav 1=103(LC 1), 3=103(LC 1)

FORCES. (lb) - Max. Comp./Max. Ten. - All forces 250 (lb) or less except when shown.

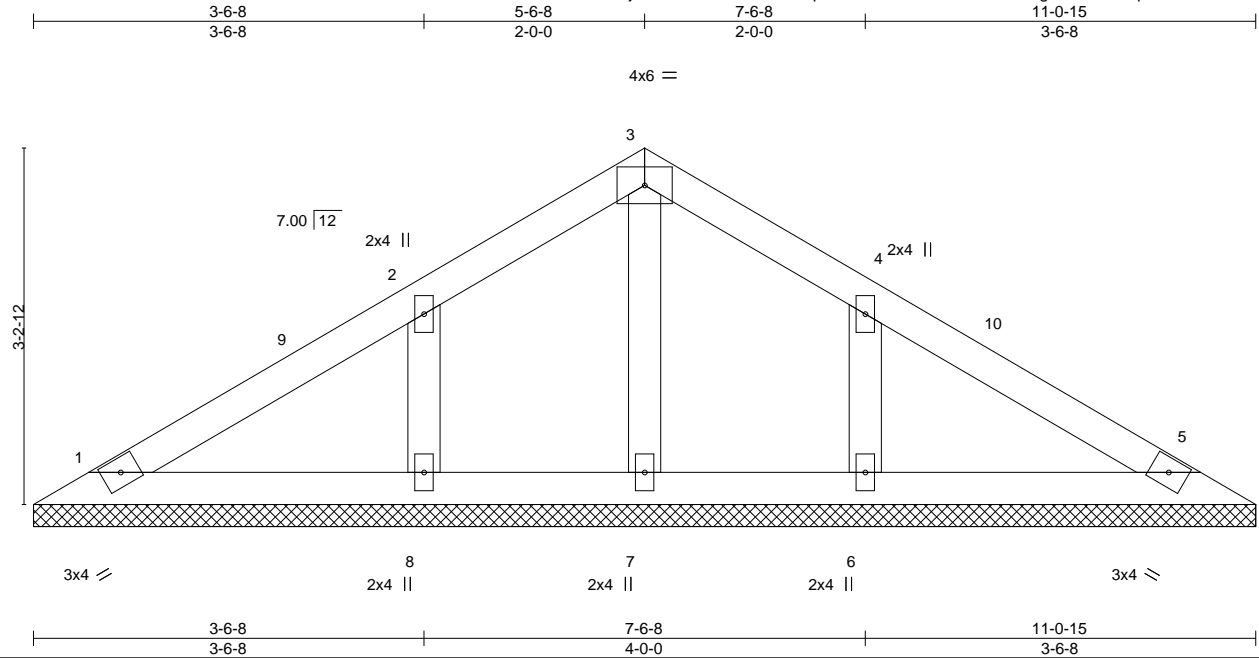
- NOTES-**
- 1) Unbalanced roof live loads have been considered for this design.
 - 2) Wind: ASCE 7-10; Vult=115mph Vasd=91mph; TCDL=6.0psf; BCDL=6.0psf; h=32ft; Cat. II; Exp B; Enclosed; MWFRS (envelope) gable end zone and C-C Exterior(2) zone; cantilever left and right exposed ; end vertical left and right exposed;C-C for members and forces & MWFRS for reactions shown; Lumber DOL=1.60 plate grip DOL=1.60
 - 3) Gable requires continuous bottom chord bearing.
 - 4) This truss has been designed for a 10.0 psf bottom chord live load nonconcurrent with any other live loads.
 - 5) * This truss has been designed for a live load of 20.0psf on the bottom chord in all areas where a rectangle 3-6-0 tall by 2-0-0 wide will fit between the bottom chord and any other members.
 - 6) Provide mechanical connection (by others) of truss to bearing plate capable of withstanding 100 lb uplift at joint(s) 1, 3.



| | | | | | | |
|--------|-------|------------|-----|-----|--------------------------|-----------|
| Job | Truss | Truss Type | Qty | Ply | Clearwater French | 151769176 |
| MASTER | V12 | GABLE | 1 | 1 | Job Reference (optional) | |

Builders FirstSource, Apex, NC 27523

ID:jww8HilN90uFSTm7sxLqmezW8I3-WHUQd5XYxTVSDgCTBTYDWqJKRQbbGrIReMYqALzJzTP
8.530 s Dec 6 2021 MiTek Industries, Inc. Thu May 5 11:02:44 2022 Page 1



| | | | | | | | | | |
|----------------------|-----------------|-----------------|-------------|--------------|----------|--------|-----|---------------|-------------|
| LOADING (psf) | SPACING- | 2-0-0 | CSI. | DEFL. | in (loc) | l/defl | L/d | PLATES | GRIP |
| TCLL 20.0 | Plate Grip DOL | 1.15 | TC 0.19 | Vert(LL) | n/a | - | n/a | MT20 | 244/190 |
| TCDL 10.0 | Lumber DOL | 1.15 | BC 0.11 | Vert(CT) | n/a | - | n/a | | |
| BCLL 0.0 * | Rep Stress Incr | YES | WB 0.04 | Horz(CT) | 0.00 | 5 | n/a | | |
| BCDL 10.0 | Code | IRC2015/TPI2014 | Matrix-S | | | | | Weight: 42 lb | FT = 20% |

| | |
|-----------------------|---|
| LUMBER- | BRACING- |
| TOP CHORD 2x4 SP No.3 | TOP CHORD Structural wood sheathing directly applied or 6-0-0 oc purlins. |
| BOT CHORD 2x4 SP No.3 | BOT CHORD Rigid ceiling directly applied or 10-0-0 oc bracing. |
| WEBS 2x4 SP No.3 | |
| OTHERS 2x4 SP No.3 | |

REACTIONS. All bearings 11-0-15.
 (lb) - Max Horz 1=-57(LC 8)
 Max Uplift All uplift 100 lb or less at joint(s) 8, 6
 Max Grav All reactions 250 lb or less at joint(s) 1, 5, 7 except 8=259(LC 19), 6=259(LC 20)

FORCES. (lb) - Max. Comp./Max. Ten. - All forces 250 (lb) or less except when shown.

- NOTES-**
- Unbalanced roof live loads have been considered for this design.
 - Wind: ASCE 7-10; Vult=115mph Vasd=91mph; TC DL=6.0psf; BCDL=6.0psf; h=32ft; Cat. II; Exp B; Enclosed; MWFRS (envelope) gable end zone and C-C Exterior(2) 0-6-8 to 3-6-8, Interior(1) 3-6-8 to 5-6-8, Exterior(2) 5-6-8 to 8-6-8, Interior(1) 8-6-8 to 10-6-7 zone; cantilever left and right exposed; end vertical left and right exposed; C-C for members and forces & MWFRS for reactions shown; Lumber DOL=1.60 plate grip DOL=1.60
 - Gable requires continuous bottom chord bearing.
 - This truss has been designed for a 10.0 psf bottom chord live load nonconcurrent with any other live loads.
 - * This truss has been designed for a live load of 20.0psf on the bottom chord in all areas where a rectangle 3-6-0 tall by 2-0-0 wide will fit between the bottom chord and any other members.
 - Provide mechanical connection (by others) of truss to bearing plate capable of withstanding 100 lb uplift at joint(s) 8, 6.
 - This truss is designed in accordance with the 2015 International Residential Code sections R502.11.1 and R802.10.2 and referenced standard ANSI/TPI 1.

- LOAD CASE(S)**
- Dead + Roof Live (balanced): Lumber Increase=1.15, Plate Increase=1.15
Uniform Loads (plf)
Vert: 1-3=-60, 3-5=-60, 1-5=-20
 - Dead + 0.75 Roof Live (balanced): Lumber Increase=1.15, Plate Increase=1.15
Uniform Loads (plf)
Vert: 1-3=-50, 3-5=-50, 1-5=-20
 - Dead + Uninhabitable Attic Without Storage: Lumber Increase=1.25, Plate Increase=1.25
Uniform Loads (plf)
Vert: 1-3=-20, 3-5=-20, 1-5=-40
 - Dead + 0.6 C-C Wind (Pos. Internal) Case 1: Lumber Increase=1.60, Plate Increase=1.60
Uniform Loads (plf)
Vert: 1-2=19, 2-3=14, 3-10=19, 5-10=14, 1-5=-12
Horz: 1-2=-31, 2-3=-26, 3-10=31, 5-10=26



May 5, 2022

Continued on page 2

WARNING - Verify design parameters and READ NOTES ON THIS AND INCLUDED MITEK REFERENCE PAGE MII-7473 rev. 5/19/2020 BEFORE USE.
 Design valid for use only with MiTek® connectors. This design is based only upon parameters shown, and is for an individual building component, not a truss system. Before use, the building designer must verify the applicability of design parameters and properly incorporate this design into the overall building design. Bracing indicated is to prevent buckling of individual truss web and/or chord members only. Additional temporary and permanent bracing is always required for stability and to prevent collapse with possible personal injury and property damage. For general guidance regarding the fabrication, storage, delivery, erection and bracing of trusses and truss systems, see **ANSI/TPI1 Quality Criteria, DSB-89 and BCSI Building Component Safety Information** available from Truss Plate Institute, 2670 Crain Highway, Suite 203 Waldorf, MD 20601



818 Soundside Road
Edenton, NC 27932

| | | | | | | |
|--------|-------|------------|-----|-----|--------------------------|-----------|
| Job | Truss | Truss Type | Qty | Ply | Clearwater French | IS1769176 |
| MASTER | V12 | GABLE | 1 | 1 | Job Reference (optional) | |

Builders FirstSource, Apex, NC 27523

8.530 s Dec 6 2021 MiTek Industries, Inc. Thu May 5 11:02:44 2022 Page 2
 ID:jww8HilN90uFSTm7sxLqmezW8I3-WHUQd5XYxTVSDgCTBTYDWqJKRQbbGrIReMYqALzJzTfP

LOAD CASE(S)

- 5) Dead + 0.6 C-C Wind (Pos. Internal) Case 2: Lumber Increase=1.60, Plate Increase=1.60
 Uniform Loads (plf)
 Vert: 1-9=14, 3-9=19, 3-4=14, 4-5=19, 1-5=-12
 Horz: 1-9=-26, 3-9=-31, 3-4=26, 4-5=31
- 6) Dead + 0.6 C-C Wind (Neg. Internal) Case 1: Lumber Increase=1.60, Plate Increase=1.60
 Uniform Loads (plf)
 Vert: 1-3=-45, 3-5=-45, 1-5=-20
 Horz: 1-3=25, 3-5=25
- 7) Dead + 0.6 C-C Wind (Neg. Internal) Case 2: Lumber Increase=1.60, Plate Increase=1.60
 Uniform Loads (plf)
 Vert: 1-3=-45, 3-5=-45, 1-5=-20
 Horz: 1-3=25, 3-5=25
- 8) Dead + 0.6 MWFRS Wind (Pos. Internal) Left: Lumber Increase=1.60, Plate Increase=1.60
 Uniform Loads (plf)
 Vert: 1-3=-14, 3-5=5, 1-5=-12
 Horz: 1-3=2, 3-5=17
- 9) Dead + 0.6 MWFRS Wind (Pos. Internal) Right: Lumber Increase=1.60, Plate Increase=1.60
 Uniform Loads (plf)
 Vert: 1-3=5, 3-5=-14, 1-5=-12
 Horz: 1-3=-17, 3-5=-2
- 10) Dead + 0.6 MWFRS Wind (Neg. Internal) Left: Lumber Increase=1.60, Plate Increase=1.60
 Uniform Loads (plf)
 Vert: 1-3=-31, 3-5=-11, 1-5=-20
 Horz: 1-3=11, 3-5=9
- 11) Dead + 0.6 MWFRS Wind (Neg. Internal) Right: Lumber Increase=1.60, Plate Increase=1.60
 Uniform Loads (plf)
 Vert: 1-3=-11, 3-5=-31, 1-5=-20
 Horz: 1-3=-9, 3-5=-11
- 12) Dead + 0.6 MWFRS Wind (Pos. Internal) 1st Parallel: Lumber Increase=1.60, Plate Increase=1.60
 Uniform Loads (plf)
 Vert: 1-3=19, 3-5=5, 1-5=-12
 Horz: 1-3=-31, 3-5=17
- 13) Dead + 0.6 MWFRS Wind (Pos. Internal) 2nd Parallel: Lumber Increase=1.60, Plate Increase=1.60
 Uniform Loads (plf)
 Vert: 1-3=5, 3-5=19, 1-5=-12
 Horz: 1-3=-17, 3-5=31
- 14) Dead + 0.6 MWFRS Wind (Pos. Internal) 3rd Parallel: Lumber Increase=1.60, Plate Increase=1.60
 Uniform Loads (plf)
 Vert: 1-3=9, 3-5=2, 1-5=-12
 Horz: 1-3=-21, 3-5=14
- 15) Dead + 0.6 MWFRS Wind (Pos. Internal) 4th Parallel: Lumber Increase=1.60, Plate Increase=1.60
 Uniform Loads (plf)
 Vert: 1-3=2, 3-5=9, 1-5=-12
 Horz: 1-3=-14, 3-5=21
- 16) Dead + 0.6 MWFRS Wind (Neg. Internal) 1st Parallel: Lumber Increase=1.60, Plate Increase=1.60
 Uniform Loads (plf)
 Vert: 1-3=2, 3-5=-11, 1-5=-20
 Horz: 1-3=-22, 3-5=9
- 17) Dead + 0.6 MWFRS Wind (Neg. Internal) 2nd Parallel: Lumber Increase=1.60, Plate Increase=1.60
 Uniform Loads (plf)
 Vert: 1-3=-11, 3-5=2, 1-5=-20
 Horz: 1-3=-9, 3-5=22
- 18) Dead: Lumber Increase=0.90, Plate Increase=0.90 Plt. metal=0.90
 Uniform Loads (plf)
 Vert: 1-3=-20, 3-5=-20, 1-5=-20
- 19) Dead + 0.75 Roof Live (bal.) + 0.75(0.6 MWFRS Wind (Neg. Int) Left): Lumber Increase=1.60, Plate Increase=1.60
 Uniform Loads (plf)
 Vert: 1-3=-58, 3-5=-44, 1-5=-20
 Horz: 1-3=8, 3-5=6
- 20) Dead + 0.75 Roof Live (bal.) + 0.75(0.6 MWFRS Wind (Neg. Int) Right): Lumber Increase=1.60, Plate Increase=1.60
 Uniform Loads (plf)
 Vert: 1-3=-44, 3-5=-58, 1-5=-20
 Horz: 1-3=-6, 3-5=-8
- 21) Dead + 0.75 Roof Live (bal.) + 0.75(0.6 MWFRS Wind (Neg. Int) 1st Parallel): Lumber Increase=1.60, Plate Increase=1.60
 Uniform Loads (plf)
 Vert: 1-3=-34, 3-5=-44, 1-5=-20
 Horz: 1-3=-16, 3-5=6
- 22) Dead + 0.75 Roof Live (bal.) + 0.75(0.6 MWFRS Wind (Neg. Int) 2nd Parallel): Lumber Increase=1.60, Plate Increase=1.60
 Uniform Loads (plf)
 Vert: 1-3=-44, 3-5=-34, 1-5=-20
 Horz: 1-3=-6, 3-5=16
- 23) 1st Dead + Roof Live (unbalanced): Lumber Increase=1.15, Plate Increase=1.15
 Uniform Loads (plf)
 Vert: 1-3=-60, 3-5=-20, 1-5=-20
- 24) 2nd Dead + Roof Live (unbalanced): Lumber Increase=1.15, Plate Increase=1.15
 Uniform Loads (plf)
 Vert: 1-3=-20, 3-5=-60, 1-5=-20

Continued on page 3

WARNING - Verify design parameters and READ NOTES ON THIS AND INCLUDED MITEK REFERENCE PAGE MII-7473 rev. 5/19/2020 BEFORE USE.

Design valid for use only with MiTek® connectors. This design is based only upon parameters shown, and is for an individual building component, not a truss system. Before use, the building designer must verify the applicability of design parameters and properly incorporate this design into the overall building design. Bracing indicated is to prevent buckling of individual truss web and/or chord members only. Additional temporary and permanent bracing is always required for stability and to prevent collapse with possible personal injury and property damage. For general guidance regarding the fabrication, storage, delivery, erection and bracing of trusses and truss systems, see **ANSI/TPI1 Quality Criteria, DSB-89 and BCSI Building Component Safety Information** available from Truss Plate Institute, 2670 Crain Highway, Suite 203 Waldorf, MD 20601



818 Soundside Road
 Edenton, NC 27932

| | | | | | | |
|--------|-------|------------|-----|-----|--------------------------|-----------|
| Job | Truss | Truss Type | Qty | Ply | Clearwater French | I51769176 |
| MASTER | V12 | GABLE | 1 | 1 | Job Reference (optional) | |

Builders FirstSource, Apex, NC 27523

8.530 s Dec 6 2021 MiTek Industries, Inc. Thu May 5 11:02:44 2022 Page 3
 ID:jww8HiiN90uFSTm7sxLqmezW8I3-WHUQd5YxTVSDgCTBTYDWqJKRQbbGrIReMYqALzJZtP

LOAD CASE(S)

- 25) 3rd Dead + 0.75 Roof Live (unbalanced): Lumber Increase=1.15, Plate Increase=1.15
 Uniform Loads (plf)
 Vert: 1-3=-50, 3-5=-20, 1-5=-20
- 26) 4th Dead + 0.75 Roof Live (unbalanced): Lumber Increase=1.15, Plate Increase=1.15
 Uniform Loads (plf)
 Vert: 1-3=-20, 3-5=-50, 1-5=-20

WARNING - Verify design parameters and READ NOTES ON THIS AND INCLUDED MITEK REFERENCE PAGE MII-7473 rev. 5/19/2020 BEFORE USE.

Design valid for use only with MiTek® connectors. This design is based only upon parameters shown, and is for an individual building component, not a truss system. Before use, the building designer must verify the applicability of design parameters and properly incorporate this design into the overall building design. Bracing indicated is to prevent buckling of individual truss web and/or chord members only. Additional temporary and permanent bracing is always required for stability and to prevent collapse with possible personal injury and property damage. For general guidance regarding the fabrication, storage, delivery, erection and bracing of trusses and truss systems, see **ANSI/TPI1 Quality Criteria, DSB-89 and BCSI Building Component Safety Information** available from Truss Plate Institute, 2670 Crain Highway, Suite 203 Waldorf, MD 20601



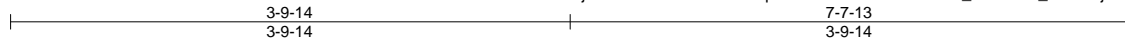
818 Soundside Road
 Edenton, NC 27932

| | | | | | | |
|--------|-------|------------|-----|-----|-------------------|-----------|
| Job | Truss | Truss Type | Qty | Ply | Clearwater French | 151769177 |
| MASTER | V13 | VALLEY | 1 | 1 | | |

Builders FirstSource (Apex, NC), Apex, NC - 27523,

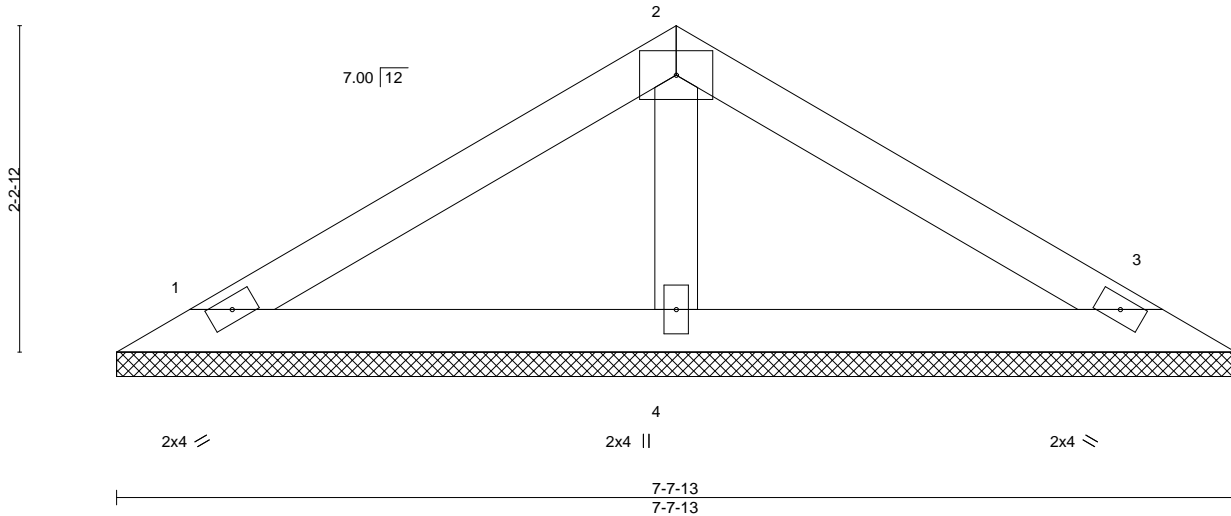
8.530 s Dec 6 2021 MiTek Industries, Inc. Thu May 5 08:37:15 2022 Page 1

ID:jww8HilN9ouFSTm7sxlqmezW813-GGWOVhUDcL_NJ3lb?t_ZJHaQjNJY?LcQoYRlozJc?o



4x6 =

Scale = 1:15.7



| LOADING (psf) | SPACING- | CSI. | DEFL. | in (loc) | l/defl | L/d | PLATES | GRIP |
|---------------|----------------------|----------|----------|----------|--------|-----|---------------|----------|
| TCLL 20.0 | 2-0-0 | TC 0.24 | Vert(LL) | n/a | - | n/a | MT20 | 244/190 |
| TCDL 10.0 | Plate Grip DOL 1.15 | BC 0.18 | Vert(CT) | n/a | - | n/a | | |
| BCLL 0.0 * | Lumber DOL 1.15 | WB 0.04 | Horz(CT) | 0.00 | 3 | n/a | | |
| BCDL 10.0 | Rep Stress Incr YES | Matrix-S | | | | | Weight: 25 lb | FT = 20% |
| | Code IRC2015/TPI2014 | | | | | | | |

LUMBER-
 TOP CHORD 2x4 SP No.3
 BOT CHORD 2x4 SP No.3
 OTHERS 2x4 SP No.3

BRACING-
 TOP CHORD Structural wood sheathing directly applied or 6-0-0 oc purlins.
 BOT CHORD Rigid ceiling directly applied or 10-0-0 oc bracing.

REACTIONS. (size) 1=7-7-13, 3=7-7-13, 4=7-7-13
 Max Horz 1=-38(LC 8)
 Max Uplift 1=-12(LC 12), 3=-17(LC 13)
 Max Grav 1=124(LC 23), 3=124(LC 24), 4=279(LC 1)

FORCES. (lb) - Max. Comp./Max. Ten. - All forces 250 (lb) or less except when shown.

NOTES-

- 1) Unbalanced roof live loads have been considered for this design.
- 2) Wind: ASCE 7-10; Vult=115mph Vasd=91mph; TCDL=6.0psf; BCDL=6.0psf; h=32ft; Cat. II; Exp B; Enclosed; MWFRS (envelope) gable end zone and C-C Exterior(2) zone; cantilever left and right exposed ; end vertical left and right exposed;C-C for members and forces & MWFRS for reactions shown; Lumber DOL=1.60 plate grip DOL=1.60
- 3) Gable requires continuous bottom chord bearing.
- 4) This truss has been designed for a 10.0 psf bottom chord live load nonconcurrent with any other live loads.
- 5) * This truss has been designed for a live load of 20.0psf on the bottom chord in all areas where a rectangle 3-6-0 tall by 2-0-0 wide will fit between the bottom chord and any other members.
- 6) Provide mechanical connection (by others) of truss to bearing plate capable of withstanding 100 lb uplift at joint(s) 1, 3.



May 5, 2022

WARNING - Verify design parameters and READ NOTES ON THIS AND INCLUDED MITEK REFERENCE PAGE MII-7473 rev. 5/19/2020 BEFORE USE.

Design valid for use only with MiTek® connectors. This design is based only upon parameters shown, and is for an individual building component, not a truss system. Before use, the building designer must verify the applicability of design parameters and properly incorporate this design into the overall building design. Bracing indicated is to prevent buckling of individual truss web and/or chord members only. Additional temporary and permanent bracing is always required for stability and to prevent collapse with possible personal injury and property damage. For general guidance regarding the fabrication, storage, delivery, erection and bracing of trusses and truss systems, see

ANSI/TPI1 Quality Criteria, DSB-89 and BCSI Building Component

Safety Information available from Truss Plate Institute, 2670 Crain Highway, Suite 203 Waldorf, MD 20601

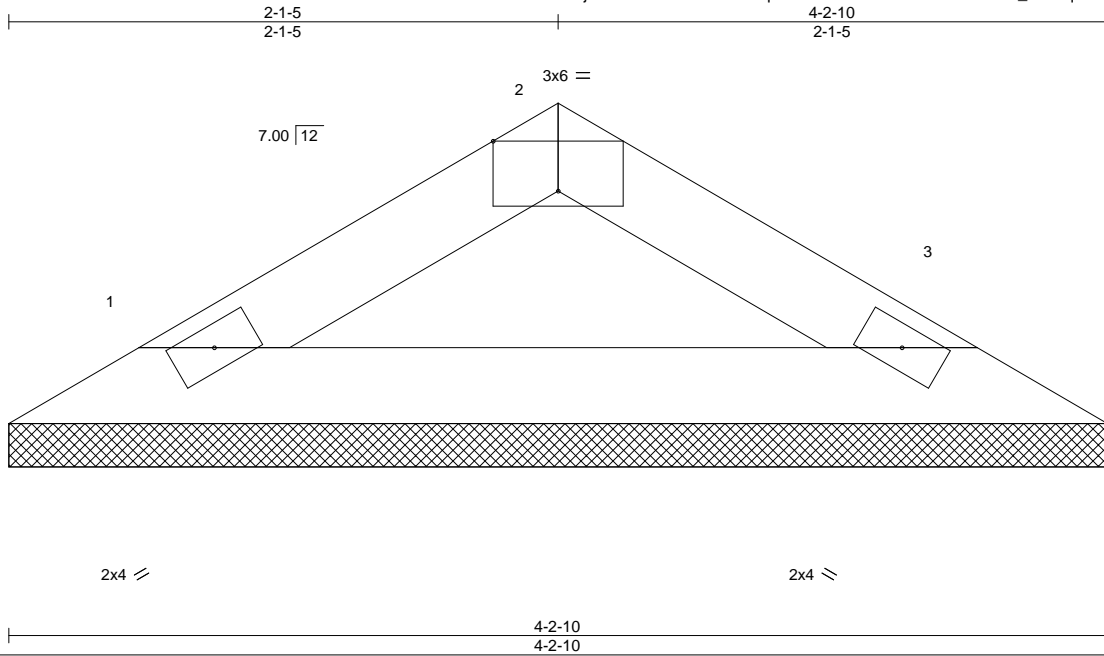


818 Soundside Road
 Edenton, NC 27932

| | | | | | |
|---------------|--------------|----------------------|----------|----------|--------------------------------|
| Job MASTER | Truss V14 | Truss Type VALLEY | Qty 1 | Ply 1 | Clearwater French 151769178 |
|---------------|--------------|----------------------|----------|----------|--------------------------------|

Builders FirstSource (Apex, NC), Apex, NC - 27523,

8.530 s Dec 6 2021 MiTek Industries, Inc. Thu May 5 08:37:16 2022 Page 1
ID:jww8HilN90uFSTm7sxLqmezW8l3-kS3mi1VrNf6EwDjnZa_D5Wqnv6IGHsAleSI_qEzJc?n



Scale = 1:8.9

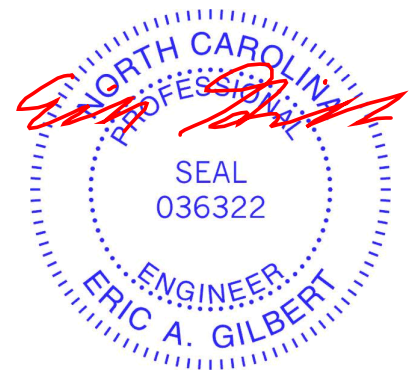
| Plate Offsets (X,Y)-- | [2:0-3-0,Edge] | | | | | | | |
|-----------------------|-----------------------|-------------|-----------------------|--------|-----|---------------|-------------|--|
| LOADING (psf) | SPACING- 2-0-0 | CSI. | DEFL. in (loc) | l/defl | L/d | PLATES | GRIP | |
| TCLL 20.0 | Plate Grip DOL 1.15 | TC 0.07 | Vert(LL) n/a | - | n/a | MT20 | 244/190 | |
| TCDL 10.0 | Lumber DOL 1.15 | BC 0.20 | Vert(CT) n/a | - | n/a | | | |
| BCLL 0.0 * | Rep Stress Incr YES | WB 0.00 | Horz(CT) 0.00 | 3 | n/a | | | |
| BCDL 10.0 | Code IRC2015/TPI2014 | Matrix-P | | | | | | |
| | | | | | | Weight: 12 lb | FT = 20% | |

| LUMBER- | | BRACING- | |
|-----------|-------------|-----------|--|
| TOP CHORD | 2x4 SP No.3 | TOP CHORD | Structural wood sheathing directly applied or 4-2-10 oc purlins. |
| BOT CHORD | 2x4 SP No.3 | BOT CHORD | Rigid ceiling directly applied or 10-0-0 oc bracing. |

REACTIONS. (size) 1=4-2-10, 3=4-2-10
 Max Horz 1=-18(LC 10)
 Max Uplift 1=-4(LC 12), 3=-4(LC 13)
 Max Grav 1=126(LC 1), 3=126(LC 1)

FORCES. (lb) - Max. Comp./Max. Ten. - All forces 250 (lb) or less except when shown.

- NOTES-**
- 1) Unbalanced roof live loads have been considered for this design.
 - 2) Wind: ASCE 7-10; Vult=115mph Vasd=91mph; TCDL=6.0psf; BCDL=6.0psf; h=32ft; Cat. II; Exp B; Enclosed; MWFRS (envelope) gable end zone and C-C Exterior(2) zone; cantilever left and right exposed ; end vertical left and right exposed;C-C for members and forces & MWFRS for reactions shown; Lumber DOL=1.60 plate grip DOL=1.60
 - 3) Gable requires continuous bottom chord bearing.
 - 4) This truss has been designed for a 10.0 psf bottom chord live load nonconcurrent with any other live loads.
 - 5) * This truss has been designed for a live load of 20.0psf on the bottom chord in all areas where a rectangle 3-6-0 tall by 2-0-0 wide will fit between the bottom chord and any other members.
 - 6) Provide mechanical connection (by others) of truss to bearing plate capable of withstanding 100 lb uplift at joint(s) 1, 3.

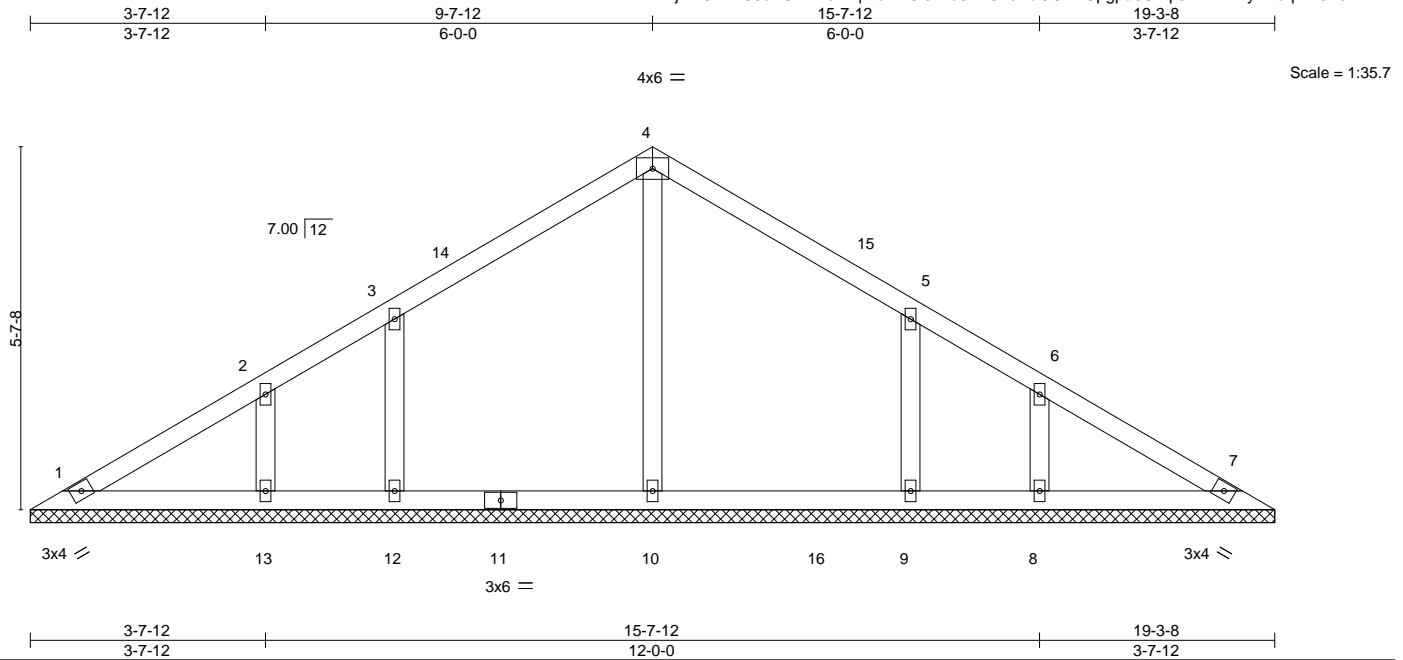


May 5, 2022

| | | | | | | |
|--------|-------|------------|-----|-----|--------------------------|-----------|
| Job | Truss | Truss Type | Qty | Ply | Clearwater French | 151769179 |
| MASTER | V15 | GABLE | 1 | 1 | Job Reference (optional) | |

Builders FirstSource, Apex, NC 27523

8.530 s Dec 6 2021 MiTek Industries, Inc. Thu May 5 11:04:09 2022 Page 1
 ID:jww8HilN90uFSTm7sxLqmezW8I3-Xe6YT9ZswaCOwkCpgpa8SIKpJhZxhHBYB4eqfwzJZs4



| | | | | | | | | | |
|----------------------|-----------------|-----------------|-------------|--------------|----------|--------|-----|---------------|-------------|
| LOADING (psf) | SPACING- | 2-0-0 | CSI. | DEFL. | in (loc) | l/defl | L/d | PLATES | GRIP |
| TCLL 20.0 | Plate Grip DOL | 1.15 | TC 0.29 | Vert(LL) | n/a | - | n/a | MT20 | 244/190 |
| TCDL 10.0 | Lumber DOL | 1.15 | BC 0.28 | Vert(CT) | n/a | - | n/a | | |
| BCLL 0.0 * | Rep Stress Incr | YES | WB 0.11 | Horz(CT) | 0.00 | 7 | n/a | | |
| BCDL 10.0 | Code | IRC2015/TPI2014 | Matrix-S | | | | | Weight: 80 lb | FT = 20% |

LUMBER-
 TOP CHORD 2x4 SP No.3
 BOT CHORD 2x4 SP No.3
 WEBS 2x4 SP No.3
 OTHERS 2x4 SP No.3

BRACING-
 TOP CHORD Structural wood sheathing directly applied or 6-0-0 oc purlins.
 BOT CHORD Rigid ceiling directly applied or 10-0-0 oc bracing.

REACTIONS. All bearings 19-3-8.
 (lb) - Max Horz 1=105(LC 9)
 Max Uplift All uplift 100 lb or less at joint(s) 1, 12, 9, 13, 8
 Max Grav All reactions 250 lb or less at joint(s) 1, 7, 13, 8 except 10=384(LC 19), 12=282(LC 19), 9=288(LC 20)

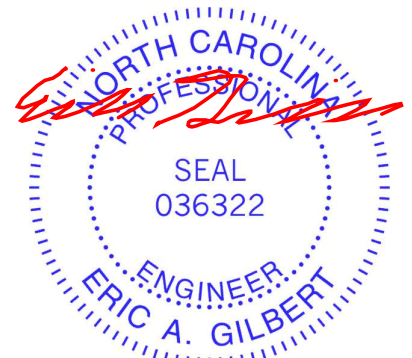
FORCES. (lb) - Max. Comp./Max. Ten. - All forces 250 (lb) or less except when shown.

NOTES-

- Unbalanced roof live loads have been considered for this design.
- Wind: ASCE 7-10; Vult=115mph Vasd=91mph; TCDL=6.0psf; BCDL=6.0psf; h=32ft; Cat. II; Exp B; Enclosed; MWFRS (envelope) gable end zone and C-C Exterior(2) 0-6-8 to 3-7-12, Interior(1) 3-7-12 to 9-7-12, Exterior(2) 9-7-12 to 12-7-12, Interior(1) 12-7-12 to 18-9-1 zone; cantilever left and right exposed; end vertical left and right exposed; C-C for members and forces & MWFRS for reactions shown; Lumber DOL=1.60 plate grip DOL=1.60
- All plates are 2x4 MT20 unless otherwise indicated.
- Gable requires continuous bottom chord bearing.
- This truss has been designed for a 10.0 psf bottom chord live load nonconcurrent with any other live loads.
- * This truss has been designed for a live load of 20.0psf on the bottom chord in all areas where a rectangle 3-6-0 tall by 2-0-0 wide will fit between the bottom chord and any other members, with BCDL = 10.0psf.
- Provide mechanical connection (by others) of truss to bearing plate capable of withstanding 100 lb uplift at joint(s) 1, 12, 9, 13, 8.
- This truss is designed in accordance with the 2015 International Residential Code sections R502.11.1 and R802.10.2 and referenced standard ANSI/TPI 1.

LOAD CASE(S)

- Dead + Roof Live (balanced): Lumber Increase=1.15, Plate Increase=1.15
 Uniform Loads (plf)
 Vert: 1-4=-60, 4-7=-60, 1-7=-20
- Dead + 0.75 Roof Live (balanced) + 0.75 Uninhab. Attic Storage: Lumber Increase=1.15, Plate Increase=1.15
 Uniform Loads (plf)
 Vert: 1-4=-50, 4-7=-50, 1-11=-20, 11-16=-50, 7-16=-20
- Dead + Uninhabitable Attic Without Storage: Lumber Increase=1.25, Plate Increase=1.25
 Uniform Loads (plf)
 Vert: 1-4=-20, 4-7=-20, 1-7=-40
- Dead + 0.6 C-C Wind (Pos. Internal) Case 1: Lumber Increase=1.60, Plate Increase=1.60



May 5, 2022

Continued on page 2

WARNING - Verify design parameters and READ NOTES ON THIS AND INCLUDED MITEK REFERENCE PAGE MII-7473 rev. 5/19/2020 BEFORE USE.

Design valid for use only with MiTek® connectors. This design is based only upon parameters shown, and is for an individual building component, not a truss system. Before use, the building designer must verify the applicability of design parameters and properly incorporate this design into the overall building design. Bracing indicated is to prevent buckling of individual truss web and/or chord members only. Additional temporary and permanent bracing is always required for stability and to prevent collapse with possible personal injury and property damage. For general guidance regarding the fabrication, storage, delivery, erection and bracing of trusses and truss systems, see **ANSI/TPI1 Quality Criteria, DSB-89 and BCSI Building Component Safety Information** available from Truss Plate Institute, 2670 Crain Highway, Suite 203 Waldorf, MD 20601



818 Soundside Road
 Edenton, NC 27932

| | | | | | | |
|--------|-------|------------|-----|-----|--------------------------|-----------|
| Job | Truss | Truss Type | Qty | Ply | Clearwater French | 151769179 |
| MASTER | V15 | GABLE | 1 | 1 | Job Reference (optional) | |

Builders FirstSource, Apex, NC 27523

8.530 s Dec 6 2021 MiTek Industries, Inc. Thu May 5 11:04:10 2022 Page 2
 ID:jww8HiIn90uFSTm7sxlqmezW8l3-?qgxxgVaUhuKfYum?EW5N?zt_25uAQkR5QkNOBmZJzS3

LOAD CASE(S)

- Uniform Loads (plf)
 - Vert: 1-2=17, 2-4=12, 4-15=17, 7-15=12, 1-7=-12
 - Horz: 1-2=-29, 2-4=-24, 4-15=29, 7-15=24
- 5) Dead + 0.6 C-C Wind (Pos. Internal) Case 2: Lumber Increase=1.60, Plate Increase=1.60
 - Uniform Loads (plf)
 - Vert: 1-14=12, 4-14=17, 4-6=12, 6-7=17, 1-7=-12
 - Horz: 1-14=-24, 4-14=-29, 4-6=24, 6-7=29
- 6) Dead + 0.6 C-C Wind (Neg. Internal) Case 1: Lumber Increase=1.60, Plate Increase=1.60
 - Uniform Loads (plf)
 - Vert: 1-4=-44, 4-7=-44, 1-7=-20
 - Horz: 1-4=24, 4-7=-24
- 7) Dead + 0.6 C-C Wind (Neg. Internal) Case 2: Lumber Increase=1.60, Plate Increase=1.60
 - Uniform Loads (plf)
 - Vert: 1-4=-44, 4-7=-44, 1-7=-20
 - Horz: 1-4=24, 4-7=-24
- 8) Dead + 0.6 MWFRS Wind (Pos. Internal) Left: Lumber Increase=1.60, Plate Increase=1.60
 - Uniform Loads (plf)
 - Vert: 1-4=-14, 4-7=5, 1-7=-12
 - Horz: 1-4=2, 4-7=17
- 9) Dead + 0.6 MWFRS Wind (Pos. Internal) Right: Lumber Increase=1.60, Plate Increase=1.60
 - Uniform Loads (plf)
 - Vert: 1-4=5, 4-7=-14, 1-7=-12
 - Horz: 1-4=-17, 4-7=-2
- 10) Dead + 0.6 MWFRS Wind (Neg. Internal) Left: Lumber Increase=1.60, Plate Increase=1.60
 - Uniform Loads (plf)
 - Vert: 1-4=-31, 4-7=-11, 1-7=-20
 - Horz: 1-4=11, 4-7=9
- 11) Dead + 0.6 MWFRS Wind (Neg. Internal) Right: Lumber Increase=1.60, Plate Increase=1.60
 - Uniform Loads (plf)
 - Vert: 1-4=-11, 4-7=-31, 1-7=-20
 - Horz: 1-4=-9, 4-7=-11
- 12) Dead + 0.6 MWFRS Wind (Pos. Internal) 1st Parallel: Lumber Increase=1.60, Plate Increase=1.60
 - Uniform Loads (plf)
 - Vert: 1-4=19, 4-7=5, 1-7=-12
 - Horz: 1-4=-31, 4-7=17
- 13) Dead + 0.6 MWFRS Wind (Pos. Internal) 2nd Parallel: Lumber Increase=1.60, Plate Increase=1.60
 - Uniform Loads (plf)
 - Vert: 1-4=5, 4-7=19, 1-7=-12
 - Horz: 1-4=-17, 4-7=31
- 14) Dead + 0.6 MWFRS Wind (Pos. Internal) 3rd Parallel: Lumber Increase=1.60, Plate Increase=1.60
 - Uniform Loads (plf)
 - Vert: 1-4=9, 4-7=2, 1-7=-12
 - Horz: 1-4=-21, 4-7=14
- 15) Dead + 0.6 MWFRS Wind (Pos. Internal) 4th Parallel: Lumber Increase=1.60, Plate Increase=1.60
 - Uniform Loads (plf)
 - Vert: 1-4=2, 4-7=9, 1-7=-12
 - Horz: 1-4=-14, 4-7=21
- 16) Dead + 0.6 MWFRS Wind (Neg. Internal) 1st Parallel: Lumber Increase=1.60, Plate Increase=1.60
 - Uniform Loads (plf)
 - Vert: 1-4=2, 4-7=-11, 1-7=-20
 - Horz: 1-4=-22, 4-7=9
- 17) Dead + 0.6 MWFRS Wind (Neg. Internal) 2nd Parallel: Lumber Increase=1.60, Plate Increase=1.60
 - Uniform Loads (plf)
 - Vert: 1-4=-11, 4-7=2, 1-7=-20
 - Horz: 1-4=-9, 4-7=22
- 18) Dead + Uninhabitable Attic Storage: Lumber Increase=1.25, Plate Increase=1.25
 - Uniform Loads (plf)
 - Vert: 1-4=-20, 4-7=-20, 1-11=-20, 11-16=-60, 7-16=-20
- 19) Dead + 0.75 Roof Live (bal.) + 0.75 Uninhab. Attic Storage + 0.75(0.6 MWFRS Wind (Neg. Int) Left): Lumber Increase=1.60, Plate Increase=1.60
 - Uniform Loads (plf)
 - Vert: 1-4=-58, 4-7=-44, 1-11=-20, 11-16=-50, 7-16=-20
 - Horz: 1-4=8, 4-7=6
- 20) Dead + 0.75 Roof Live (bal.) + 0.75 Uninhab. Attic Storage + 0.75(0.6 MWFRS Wind (Neg. Int) Right): Lumber Increase=1.60, Plate Increase=1.60
 - Uniform Loads (plf)
 - Vert: 1-4=-44, 4-7=-58, 1-11=-20, 11-16=-50, 7-16=-20
 - Horz: 1-4=-6, 4-7=-8
- 21) Dead + 0.75 Roof Live (bal.) + 0.75 Uninhab. Attic Storage + 0.75(0.6 MWFRS Wind (Neg. Int) 1st Parallel): Lumber Increase=1.60, Plate Increase=1.60
 - Uniform Loads (plf)
 - Vert: 1-4=-34, 4-7=-44, 1-11=-20, 11-16=-50, 7-16=-20
 - Horz: 1-4=-16, 4-7=6
- 22) Dead + 0.75 Roof Live (bal.) + 0.75 Uninhab. Attic Storage + 0.75(0.6 MWFRS Wind (Neg. Int) 2nd Parallel): Lumber Increase=1.60, Plate Increase=1.60

Continued on page 3

WARNING - Verify design parameters and READ NOTES ON THIS AND INCLUDED MITEK REFERENCE PAGE MII-7473 rev. 5/19/2020 BEFORE USE.

Design valid for use only with MiTek® connectors. This design is based only upon parameters shown, and is for an individual building component, not a truss system. Before use, the building designer must verify the applicability of design parameters and properly incorporate this design into the overall building design. Bracing indicated is to prevent buckling of individual truss web and/or chord members only. Additional temporary and permanent bracing is always required for stability and to prevent collapse with possible personal injury and property damage. For general guidance regarding the fabrication, storage, delivery, erection and bracing of trusses and truss systems, see **ANSI/TPI1 Quality Criteria, DSB-89 and BCSI Building Component Safety Information** available from Truss Plate Institute, 2670 Crain Highway, Suite 203 Waldorf, MD 20601



818 Soundside Road
 Edenton, NC 27932

| | | | | | | |
|--------|-------|------------|-----|-----|--------------------------|-----------|
| Job | Truss | Truss Type | Qty | Ply | Clearwater French | 151769179 |
| MASTER | V15 | GABLE | 1 | 1 | Job Reference (optional) | |

Builders FirstSource, Apex, NC 27523

8.530 s Dec 6 2021 MiTek Industries, Inc. Thu May 5 11:04:10 2022 Page 3
 ID:jww8HiIN90uFSTm7sxlqmezW8I3-?qgvgVaUhuKfYum?EW5N?zt_25uAQkR5QkNOBMzJZs3

LOAD CASE(S)

Uniform Loads (plf)

Vert: 1-4=-44, 4-7=-34, 1-11=-20, 11-16=-50, 7-16=-20

Horz: 1-4=-6, 4-7=16

23) 1st Dead + Roof Live (unbalanced): Lumber Increase=1.15, Plate Increase=1.15

Uniform Loads (plf)

Vert: 1-4=-60, 4-7=-20, 1-7=-20

24) 2nd Dead + Roof Live (unbalanced): Lumber Increase=1.15, Plate Increase=1.15

Uniform Loads (plf)

Vert: 1-4=-20, 4-7=-60, 1-7=-20

25) 3rd Dead + 0.75 Roof Live (unbalanced) + 0.75 Uninhab. Attic Storage: Lumber Increase=1.15, Plate Increase=1.15

Uniform Loads (plf)

Vert: 1-4=-50, 4-7=-20, 1-11=-20, 11-16=-50, 7-16=-20

26) 4th Dead + 0.75 Roof Live (unbalanced) + 0.75 Uninhab. Attic Storage: Lumber Increase=1.15, Plate Increase=1.15

Uniform Loads (plf)

Vert: 1-4=-20, 4-7=-50, 1-11=-20, 11-16=-50, 7-16=-20

WARNING - Verify design parameters and READ NOTES ON THIS AND INCLUDED MITEK REFERENCE PAGE MII-7473 rev. 5/19/2020 BEFORE USE.

Design valid for use only with MiTek® connectors. This design is based only upon parameters shown, and is for an individual building component, not a truss system. Before use, the building designer must verify the applicability of design parameters and properly incorporate this design into the overall building design. Bracing indicated is to prevent buckling of individual truss web and/or chord members only. Additional temporary and permanent bracing is always required for stability and to prevent collapse with possible personal injury and property damage. For general guidance regarding the fabrication, storage, delivery, erection and bracing of trusses and truss systems, see **ANSI/TPI1 Quality Criteria, DSB-89 and BCSI Building Component Safety Information** available from Truss Plate Institute, 2670 Crain Highway, Suite 203 Waldorf, MD 20601



818 Soundside Road
 Edenton, NC 27932

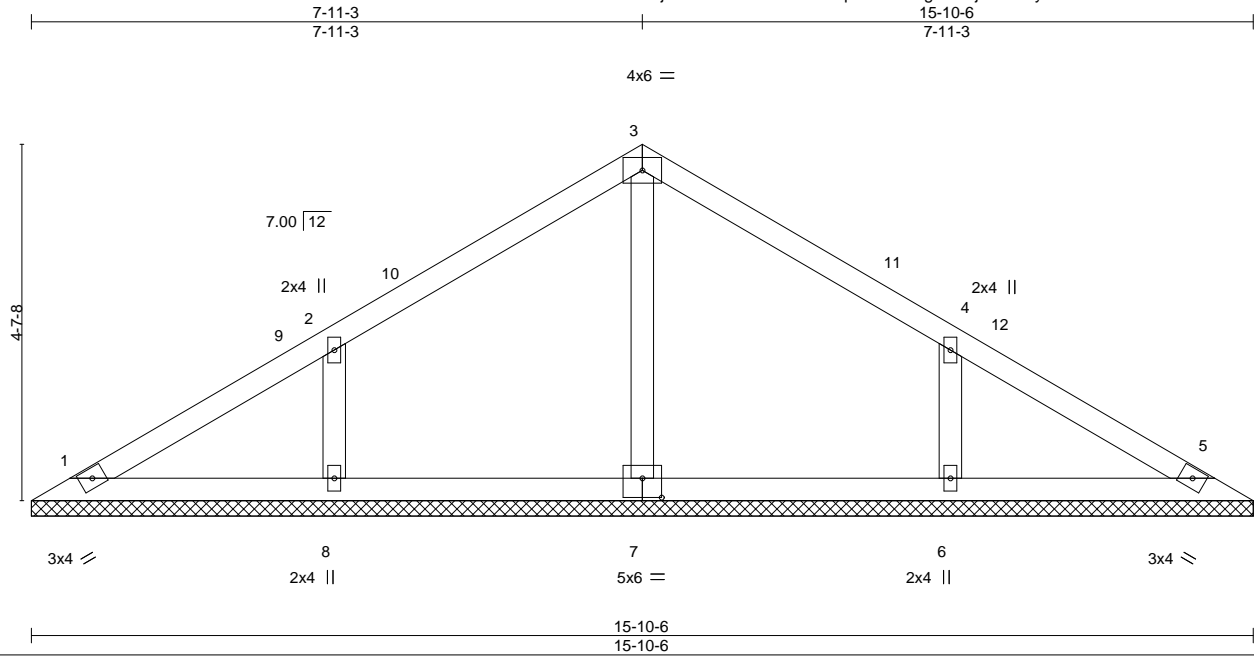
| | | | | | | |
|---------------|--------------|---------------------|----------|----------|---|-----------|
| Job MASTER | Truss V16 | Truss Type GABLE | Qty 1 | Ply 1 | Clearwater French Job Reference (optional) | 151769180 |
|---------------|--------------|---------------------|----------|----------|---|-----------|

Builders FirstSource (Apex, NC),

Apex, NC - 27523,

8.530 s Dec 6 2021 MiTek Industries, Inc. Thu May 5 08:37:18 2022 Page 1

ID:jww8HilN90uFSTm7sxLqmezW8I3-grBW7jX5vGMyAWTAh?0hBxv31wPzLY26mn5u6zJc?l



Scale = 1:29.9

| | | | | | |
|------------------------|-----------------------|-------------|----------------------------------|---------------|-------------|
| Plate Offsets (X, Y)-- | [7:0-3-0,0-3-0] | | | | |
| LOADING (psf) | SPACING- 2-0-0 | CSI. | DEFL. in (loc) l/defl L/d | PLATES | GRIP |
| TCLL 20.0 | Plate Grip DOL 1.15 | TC 0.35 | Vert(LL) n/a - n/a 999 | MT20 | 244/190 |
| TCDL 10.0 | Lumber DOL 1.15 | BC 0.19 | Vert(CT) n/a - n/a 999 | | |
| BCLL 0.0 * | Rep Stress Incr YES | WB 0.07 | Horz(CT) 0.00 5 n/a n/a | | |
| BCDL 10.0 | Code IRC2015/TPI2014 | Matrix-S | | Weight: 60 lb | FT = 20% |

| | |
|-----------------------|---|
| LUMBER- | BRACING- |
| TOP CHORD 2x4 SP No.3 | TOP CHORD Structural wood sheathing directly applied or 6-0-0 oc purlins. |
| BOT CHORD 2x4 SP No.3 | BOT CHORD Rigid ceiling directly applied or 10-0-0 oc bracing. |
| OTHERS 2x4 SP No.3 | |

REACTIONS. All bearings 15-10-6.
 (lb) - Max Horz 1=85(LC 8)
 Max Uplift All uplift 100 lb or less at joint(s) 1, 8, 6
 Max Grav All reactions 250 lb or less at joint(s) 1, 5 except 7=263(LC 1), 8=352(LC 19), 6=352(LC 20)

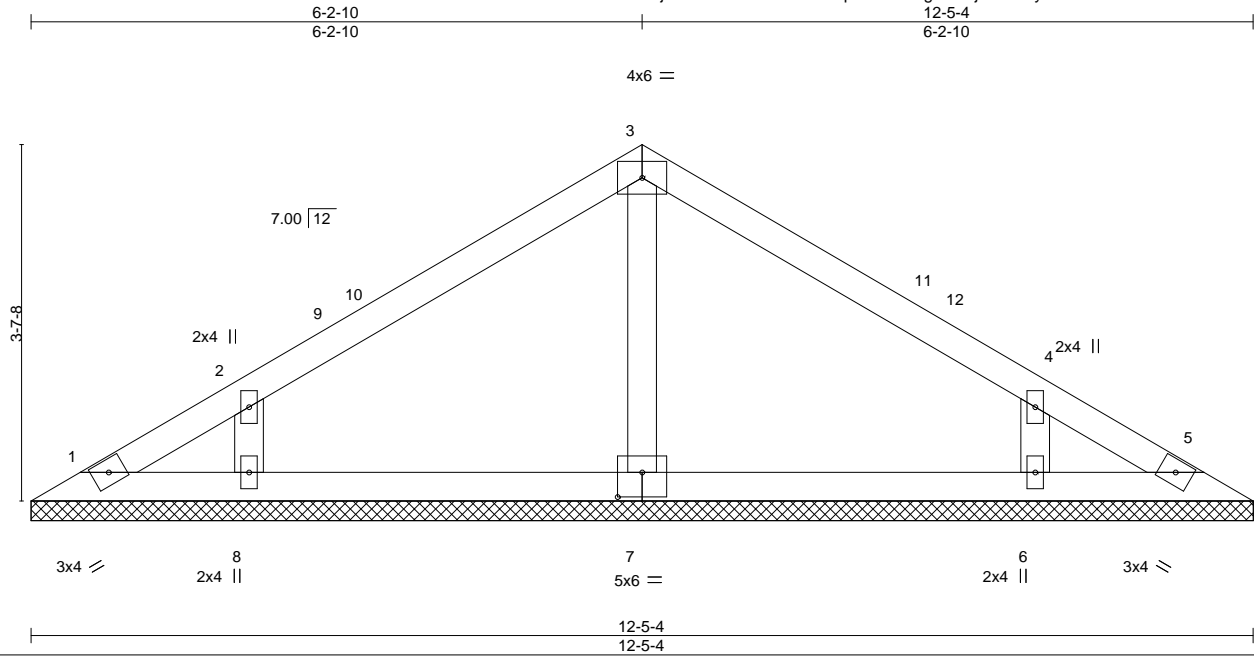
FORCES. (lb) - Max. Comp./Max. Ten. - All forces 250 (lb) or less except when shown.
 WEBS 2-8=-266/126, 4-6=-266/126

- NOTES-**
- 1) Unbalanced roof live loads have been considered for this design.
 - 2) Wind: ASCE 7-10; Vult=115mph Vasd=91mph; TCDL=6.0psf; BCDL=6.0psf; h=32ft; Cat. II; Exp B; Enclosed; MWFRS (envelope) gable end zone and C-C Exterior(2) 0-6-8 to 3-6-8, Interior(1) 3-6-8 to 7-11-3, Exterior(2) 7-11-3 to 10-11-3, Interior(1) 10-11-3 to 15-3-14 zone; cantilever left and right exposed ; end vertical left and right exposed; C-C for members and forces & MWFRS for reactions shown; Lumber DOL=1.60 plate grip DOL=1.60
 - 3) Gable requires continuous bottom chord bearing.
 - 4) This truss has been designed for a 10.0 psf bottom chord live load nonconcurrent with any other live loads.
 - 5) * This truss has been designed for a live load of 20.0psf on the bottom chord in all areas where a rectangle 3-6-0 tall by 2-0-0 wide will fit between the bottom chord and any other members.
 - 6) Provide mechanical connection (by others) of truss to bearing plate capable of withstanding 100 lb uplift at joint(s) 1, 8, 6.



| | | | | | |
|--|--------------|---------------------|----------|----------|--------------------------------|
| Job MASTER | Truss V17 | Truss Type GABLE | Qty 1 | Ply 1 | Clearwater French 151769181 |
| Builders FirstSource (Apex, NC), Apex, NC - 27523, | | | | | Job Reference (optional) |

8.530 s Dec 6 2021 MiTek Industries, Inc. Thu May 5 08:37:18 2022 Page 1
 ID:jww8HilN90uFSTm7sxLqmezW8I3-grBW7jX5vGMvAWTAh?0hBxv4dwOfIMs26mn5u6zJc?!



Scale = 1:23.4

| | | | | | | | |
|-----------------------|----------------------|-------|-------------|--------------|----------|--------|---------------|
| Plate Offsets (X,Y)-- | [7:0-3-0,0-3-0] | | | | | | |
| LOADING (psf) | SPACING- | 2-0-0 | CSI. | DEFL. | in (loc) | l/defl | L/d |
| TCLL 20.0 | Plate Grip DOL | 1.15 | TC 0.31 | Vert(LL) | n/a | - | n/a 999 |
| TCDL 10.0 | Lumber DOL | 1.15 | BC 0.21 | Vert(CT) | n/a | - | n/a 999 |
| BCLL 0.0 * | Rep Stress Incr | YES | WB 0.05 | Horz(CT) | 0.00 | 5 | n/a n/a |
| BCDL 10.0 | Code IRC2015/TPI2014 | | Matrix-S | | | | |
| | | | | | | | PLATES |
| | | | | | | | MT20 |
| | | | | | | | GRIP |
| | | | | | | | 244/190 |
| | | | | | | | Weight: 45 lb |
| | | | | | | | FT = 20% |

| | | | |
|----------------|-------------|-----------------|---|
| LUMBER- | | BRACING- | |
| TOP CHORD | 2x4 SP No.3 | TOP CHORD | Structural wood sheathing directly applied or 6-0-0 oc purlins. |
| BOT CHORD | 2x4 SP No.3 | BOT CHORD | Rigid ceiling directly applied or 10-0-0 oc bracing. |
| OTHERS | 2x4 SP No.3 | | |

REACTIONS. All bearings 12-5-4.
 (lb) - Max Horz 1=65(LC 9)
 Max Uplift All uplift 100 lb or less at joint(s) 1, 5, 8, 6
 Max Grav All reactions 250 lb or less at joint(s) 1, 5 except 7=279(LC 1), 8=295(LC 23), 6=295(LC 24)

FORCES. (lb) - Max. Comp./Max. Ten. - All forces 250 (lb) or less except when shown.

- NOTES-**
- 1) Unbalanced roof live loads have been considered for this design.
 - 2) Wind: ASCE 7-10; Vult=115mph Vasd=91mph; TCDL=6.0psf; BCDL=6.0psf; h=32ft; Cat. II; Exp B; Enclosed; MWFRS (envelope) gable end zone and C-C Exterior(2) 0-6-8 to 3-6-8, Interior(1) 3-6-8 to 6-2-10, Exterior(2) 6-2-10 to 9-2-10, Interior(1) 9-2-10 to 11-10-12 zone; cantilever left and right exposed; end vertical left and right exposed; C-C for members and forces & MWFRS for reactions shown; Lumber DOL=1.60 plate grip DOL=1.60
 - 3) Gable requires continuous bottom chord bearing.
 - 4) This truss has been designed for a 10.0 psf bottom chord live load nonconcurrent with any other live loads.
 - 5) * This truss has been designed for a live load of 20.0psf on the bottom chord in all areas where a rectangle 3-6-0 tall by 2-0-0 wide will fit between the bottom chord and any other members.
 - 6) Provide mechanical connection (by others) of truss to bearing plate capable of withstanding 100 lb uplift at joint(s) 1, 5, 8, 6.



May 5, 2022

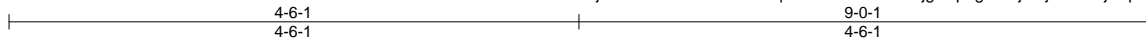
| | | | | | | |
|--------|-------|------------|-----|-----|--------------------------|-----------|
| Job | Truss | Truss Type | Qty | Ply | Clearwater French | 151769182 |
| MASTER | V18 | GABLE | 1 | 1 | Job Reference (optional) | |

Builders FirstSource (Apex, NC),

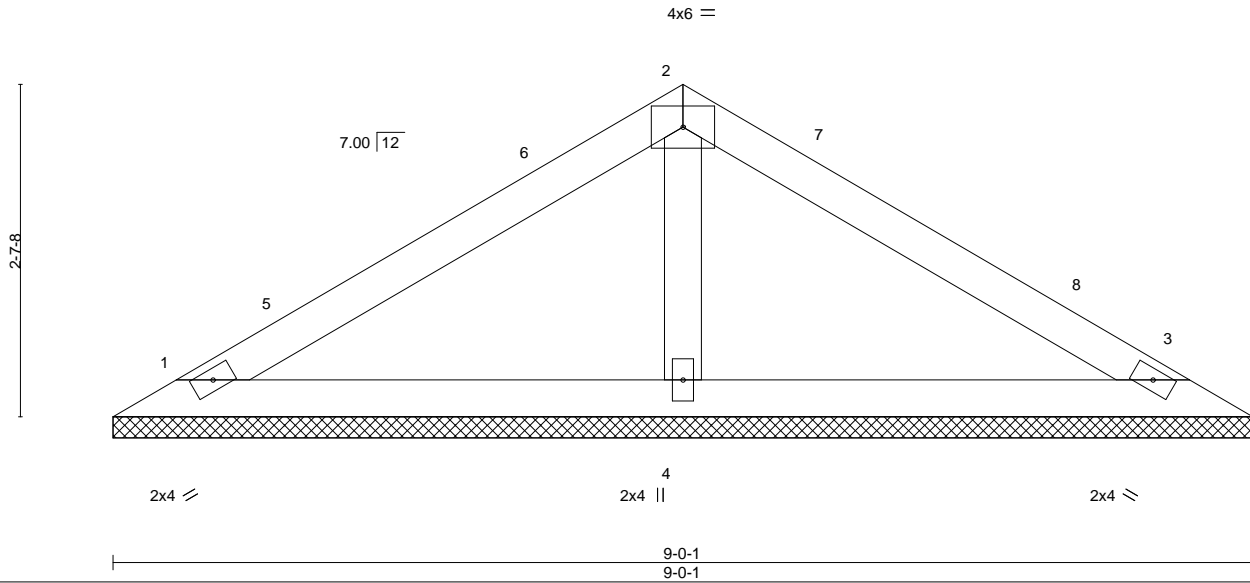
Apex, NC - 27523,

8.530 s Dec 6 2021 MiTek Industries, Inc. Thu May 5 08:37:19 2022 Page 1

ID:jww8HiiN90uFSTm7sxLqmezW8l3-81lvK3XjgaUpng2MEjXwj9SEUKjzUpBCKQWeRzZc?k



Scale = 1:18.2



| LOADING (psf) | SPACING- | CSI. | DEFL. | in (loc) | l/defl | L/d | PLATES | GRIP |
|---------------|----------------------|----------|----------|----------|--------|-----|---------------|----------|
| TCLL 20.0 | 2-0-0 | TC 0.37 | Vert(LL) | n/a | - | n/a | MT20 | 244/190 |
| TCDL 10.0 | Plate Grip DOL 1.15 | BC 0.27 | Vert(CT) | n/a | - | n/a | | |
| BCLL 0.0 * | Lumber DOL 1.15 | WB 0.05 | Horz(CT) | 0.00 | 3 | n/a | | |
| BCDL 10.0 | Rep Stress Incr YES | Matrix-S | | | | | Weight: 30 lb | FT = 20% |
| | Code IRC2015/TPI2014 | | | | | | | |

LUMBER-
 TOP CHORD 2x4 SP No.3
 BOT CHORD 2x4 SP No.3
 OTHERS 2x4 SP No.3

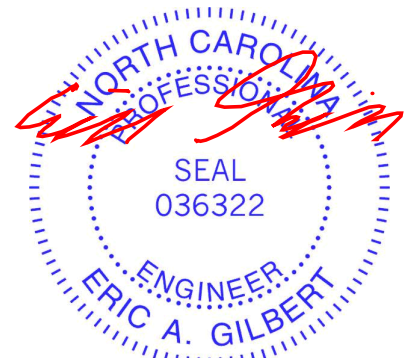
BRACING-
 TOP CHORD Structural wood sheathing directly applied or 6-0-0 oc purlins.
 BOT CHORD Rigid ceiling directly applied or 10-0-0 oc bracing.

REACTIONS. (size) 1=9-0-1, 3=9-0-1, 4=9-0-1
 Max Horz 1=46(LC 8)
 Max Uplift 1=15(LC 12), 3=21(LC 13)
 Max Grav 1=149(LC 23), 3=149(LC 24), 4=336(LC 1)

FORCES. (lb) - Max. Comp./Max. Ten. - All forces 250 (lb) or less except when shown.

NOTES-

- 1) Unbalanced roof live loads have been considered for this design.
- 2) Wind: ASCE 7-10; Vult=115mph Vasd=91mph; TCDL=6.0psf; BCDL=6.0psf; h=32ft; Cat. II; Exp B; Enclosed; MWFRS (envelope) gable end zone and C-C Exterior(2) 0-6-8 to 3-6-8, Interior(1) 3-6-8 to 4-6-1, Exterior(2) 4-6-1 to 7-6-1, Interior(1) 7-6-1 to 8-5-10 zone; cantilever left and right exposed; end vertical left and right exposed; C-C for members and forces & MWFRS for reactions shown; Lumber DOL=1.60 plate grip DOL=1.60
- 3) Gable requires continuous bottom chord bearing.
- 4) This truss has been designed for a 10.0 psf bottom chord live load nonconcurrent with any other live loads.
- 5) * This truss has been designed for a live load of 20.0psf on the bottom chord in all areas where a rectangle 3-6-0 tall by 2-0-0 wide will fit between the bottom chord and any other members.
- 6) Provide mechanical connection (by others) of truss to bearing plate capable of withstanding 100 lb uplift at joint(s) 1, 3.



May 5, 2022

WARNING - Verify design parameters and READ NOTES ON THIS AND INCLUDED MITEK REFERENCE PAGE MII-7473 rev. 5/19/2020 BEFORE USE.

Design valid for use only with MiTek® connectors. This design is based only upon parameters shown, and is for an individual building component, not a truss system. Before use, the building designer must verify the applicability of design parameters and properly incorporate this design into the overall building design. Bracing indicated is to prevent buckling of individual truss web and/or chord members only. Additional temporary and permanent bracing is always required for stability and to prevent collapse with possible personal injury and property damage. For general guidance regarding the fabrication, storage, delivery, erection and bracing of trusses and truss systems, see

ANSI/TPI1 Quality Criteria, DSB-89 and BCSI Building Component

Safety Information available from Truss Plate Institute, 2670 Crain Highway, Suite 203 Waldorf, MD 20601



818 Soundside Road
 Edenton, NC 27932

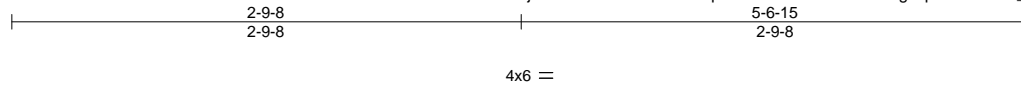
| | | | | | | |
|--------|-------|------------|-----|-----|--------------------------|-----------|
| Job | Truss | Truss Type | Qty | Ply | Clearwater French | 151769183 |
| MASTER | V19 | VALLEY | 1 | 1 | Job Reference (optional) | |

Builders FirstSource (Apex, NC),

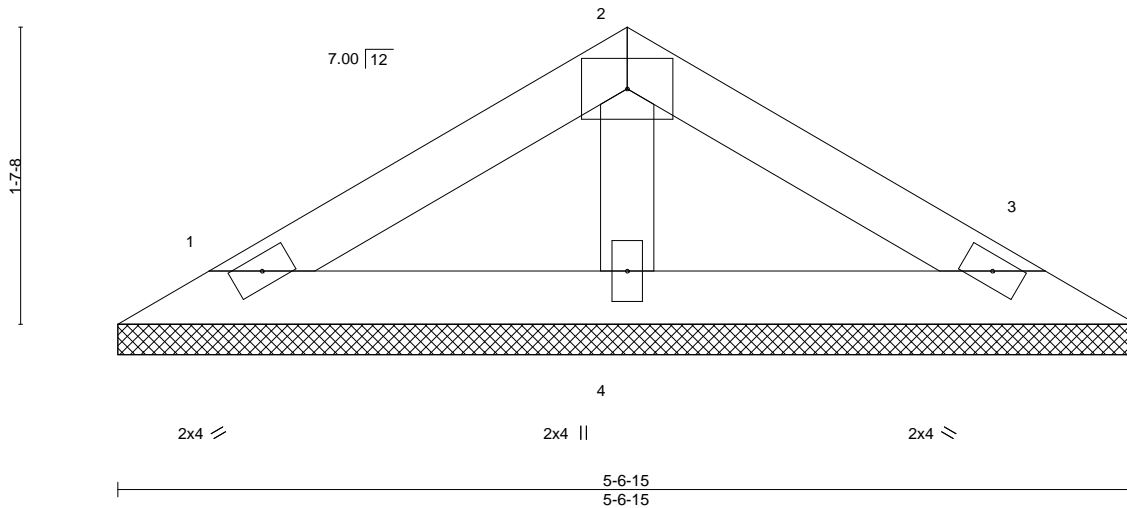
Apex, NC - 27523,

8.530 s Dec 6 2021 MiTek Industries, Inc. Thu May 5 08:37:20 2022 Page 1

ID:jww8HilN90uFSTm7sxLqmezW8l3-cEJHYPLRtgcPqdYoQ39GM_Sdk6_DGpLZ4GCz?zJc?j



Scale = 1:12.6



| LOADING (psf) | SPACING- | CSI. | DEFL. | in (loc) | l/defl | L/d | PLATES | GRIP |
|---------------|----------------------|----------|----------|----------|--------|-----|---------------|----------|
| TCLL 20.0 | 2-0-0 | TC 0.15 | Vert(LL) | n/a | - | n/a | MT20 | 244/190 |
| TCDL 10.0 | Plate Grip DOL 1.15 | BC 0.09 | Vert(CT) | n/a | - | n/a | | |
| BCLL 0.0 * | Lumber DOL 1.15 | WB 0.02 | Horz(CT) | 0.00 | 3 | n/a | | |
| BCDL 10.0 | Rep Stress Incr YES | Matrix-P | | | | | Weight: 18 lb | FT = 20% |
| | Code IRC2015/TPI2014 | | | | | | | |

LUMBER-
 TOP CHORD 2x4 SP No.3
 BOT CHORD 2x4 SP No.3
 OTHERS 2x4 SP No.3

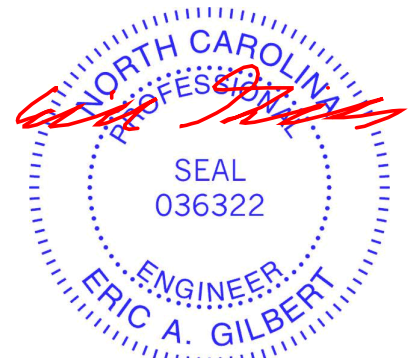
BRACING-
 TOP CHORD Structural wood sheathing directly applied or 5-6-15 oc purlins.
 BOT CHORD Rigid ceiling directly applied or 10-0-0 oc bracing.

REACTIONS. (size) 1=5-6-15, 3=5-6-15, 4=5-6-15
 Max Horz 1=26(LC 9)
 Max Uplift 1=-12(LC 12), 3=-15(LC 13)
 Max Grav 1=93(LC 1), 3=93(LC 1), 4=173(LC 1)

FORCES. (lb) - Max. Comp./Max. Ten. - All forces 250 (lb) or less except when shown.

NOTES-

- 1) Unbalanced roof live loads have been considered for this design.
- 2) Wind: ASCE 7-10; Vult=115mph Vasd=91mph; TC DL=6.0psf; BCDL=6.0psf; h=32ft; Cat. II; Exp B; Enclosed; MWFRS (envelope) gable end zone and C-C Exterior(2) zone; cantilever left and right exposed ; end vertical left and right exposed;C-C for members and forces & MWFRS for reactions shown; Lumber DOL=1.60 plate grip DOL=1.60
- 3) Gable requires continuous bottom chord bearing.
- 4) This truss has been designed for a 10.0 psf bottom chord live load nonconcurrent with any other live loads.
- 5) * This truss has been designed for a live load of 20.0psf on the bottom chord in all areas where a rectangle 3-6-0 tall by 2-0-0 wide will fit between the bottom chord and any other members.
- 6) Provide mechanical connection (by others) of truss to bearing plate capable of withstanding 100 lb uplift at joint(s) 1, 3.



May 5, 2022

WARNING - Verify design parameters and READ NOTES ON THIS AND INCLUDED MITEK REFERENCE PAGE MII-7473 rev. 5/19/2020 BEFORE USE.

Design valid for use only with MiTek® connectors. This design is based only upon parameters shown, and is for an individual building component, not a truss system. Before use, the building designer must verify the applicability of design parameters and properly incorporate this design into the overall building design. Bracing indicated is to prevent buckling of individual truss web and/or chord members only. Additional temporary and permanent bracing is always required for stability and to prevent collapse with possible personal injury and property damage. For general guidance regarding the fabrication, storage, delivery, erection and bracing of trusses and truss systems, see

ANSI/TPI1 Quality Criteria, DSB-89 and BCSI Building Component

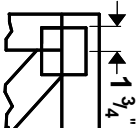
Safety Information available from Truss Plate Institute, 2670 Crain Highway, Suite 203 Waldorf, MD 20601



818 Soundside Road
 Edenton, NC 27932

Symbols

PLATE LOCATION AND ORIENTATION



Center plate on joint unless x, y offsets are indicated. Dimensions are in ft-in-sixteenths. Apply plates to both sides of truss and fully embed teeth.



For 4 x 2 orientation, locate plates 0- 1/16" from outside edge of truss.



This symbol indicates the required direction of slots in connector plates.

* Plate location details available in **MITek 20/20 software** or upon request.

PLATE SIZE

4 X 4

The first dimension is the plate width measured perpendicular to slots. Second dimension is the length parallel to slots.

LATERAL BRACING LOCATION



Indicated by symbol shown and/or by text in the bracing section of the output. Use T or I bracing if indicated.

BEARING



Indicates location where bearings (supports) occur. Icons vary but reaction section indicates joint number where bearings occur. Min size shown is for crushing only.

Industry Standards:

ANSI/TP1: National Design Specification for Metal Plate Connected Wood Truss Construction.
DSB-89: Design Standard for Bracing.
BCSI: Building Component Safety Information, Guide to Good Practice for Handling, Installing & Bracing of Metal Plate Connected Wood Trusses.

Numbering System

6-4-8
dimensions shown in ft-in-sixteenths
(Drawings not to scale)



JOINTS ARE GENERALLY NUMBERED/LETTERED CLOCKWISE AROUND THE TRUSS STARTING AT THE JOINT FARTHEST TO THE LEFT.

CHORDS AND WEBS ARE IDENTIFIED BY END JOINT NUMBERS/LETTERS.

PRODUCT CODE APPROVALS

ICC-ES Reports:

ESR-1311, ESR-1352, ESR1988
ER-3907, ESR-2362, ESR-1397, ESR-3282

Trusses are designed for wind loads in the plane of the truss unless otherwise shown.

Lumber design values are in accordance with ANSI/TP1 section 6.3 These truss designs rely on lumber values established by others.

© 2012 MITteK® All Rights Reserved



MITek Engineering Reference Sheet: MII-7473 rev. 5/19/2020



General Safety Notes

Failure to Follow Could Cause Property Damage or Personal Injury

1. Additional stability bracing for truss system, e.g. diagonal or X-bracing, is always required. See BCSI.
2. Truss bracing must be designed by an engineer. For wide truss spacing, individual lateral braces themselves may require bracing, or alternative Tor I bracing should be considered.
3. Never exceed the design loading shown and never stack materials on inadequately braced trusses.
4. Provide copies of this truss design to the building designer, erection supervisor, property owner and all other interested parties.
5. Cut members to bear tightly against each other.
6. Place plates on each face of truss at each joint and embed fully. Knots and wane at joint locations are regulated by ANSI/TP1 1.
7. Design assumes trusses will be suitably protected from the environment in accord with ANSI/TP1 1.
8. Unless otherwise noted, moisture content of lumber shall not exceed 19% at time of fabrication.
9. Unless expressly noted, this design is not applicable for use with fire retardant, preservative treated, or green lumber.
10. Camber is a non-structural consideration and is the responsibility of truss fabricator. General practice is to camber for dead load deflection.
11. Plate type, size, orientation and location dimensions indicated are minimum plating requirements.
12. Lumber used shall be of the species and size, and in all respects, equal to or better than that specified.
13. Top chords must be sheathed or purlins provided at spacing indicated on design.
14. Bottom chords require lateral bracing at 10 ft. spacing, or less, if no ceiling is installed, unless otherwise noted.
15. Connections not shown are the responsibility of others.
16. Do not cut or alter truss member or plate without prior approval of an engineer.
17. Install and load vertically unless indicated otherwise.
18. Use of green or treated lumber may pose unacceptable environmental, health or performance risks. Consult with project engineer before use.
19. Review all portions of this design (front, back, words and pictures) before use. Reviewing pictures alone is not sufficient.
20. Design assumes manufacture in accordance with ANSI/TP1 1 Quality Criteria.
21. The design does not take into account any dynamic or other loads other than those expressly stated.