

PLANS DESIGNED TO THE 2018 NORTH CAROLINA STATE RESIDENTIAL BUILDING CODE

MEAN ROOF HEIGHT: 17'-2"	HEIGHT TO RIDGE: 25'-6"		
CLIMATE ZONE	ZONE 3A	ZONE 4A	ZONE 5A
FENESTRATION U-FACTOR	0.35	0.35	0.35
SKYLIGHT U-FACTOR	0.55	0.55	0.55
GLAZED FENESTRATION SHGC	0.30	0.30	0.30
CEILING R-VALUE	38 or 30ci	38 or 30ci	38 or 30ci
WALL R-VALUE	15	15	19
FLOOR R-VALUE	19	19	30
* BASEMENT WALL R-VALUE	5/13	10/15	10/15
** SLAB R-VALUE	0	10	10
* CRAWL SPACE WALL R-VALUE	5/13	10/15	10/19

*10/13" MEANS R-10 SHEATHING INSULATION OR R-13 CAVITY INSULATION
 ** INSULATION DEPTH WITH MONOLITHIC SLAB 24" OR FROM INSPECTION GAP TO BOTTOM OF FOOTING; INSULATION DEPTH WITH STEM WALL SLAB 24" OR TO BOTTOM OF FOUNDATION WALL

DESIGNED FOR WIND SPEED OF 120 MPH, 3 SECOND GUST (93 FASTEST MILE) EXPOSURE "B"

COMPONENT & CLADDING DESIGNED FOR THE FOLLOWING LOADS						
MEAN ROOF	UP TO 30'	30'-1" TO 35'	35'-1" TO 40'	40'-1" TO 45'	45'-1" TO 50'	50'-1" TO 55'
ZONE 1	14.2	-15.0	14.9	-15.8	15.5	-16.4
ZONE 2	14.2	-18.0	14.9	-18.9	15.5	-19.6
ZONE 3	14.2	-18.0	14.9	-18.9	15.5	-19.6
ZONE 4	15.5	-16.0	16.3	-16.8	16.9	-17.4
ZONE 5	15.5	-20.0	16.3	-21.0	16.9	-21.8

DESIGNED FOR WIND SPEED OF 130 MPH, 3 SECOND GUST (101 FASTEST MILE) EXPOSURE "B"

COMPONENT & CLADDING DESIGNED FOR THE FOLLOWING LOADS						
MEAN ROOF	UP TO 30'	30'-1" TO 35'	35'-1" TO 40'	40'-1" TO 45'	45'-1" TO 50'	50'-1" TO 55'
ZONE 1	16.7	-18.0	17.5	-18.9	18.2	-19.6
ZONE 2	16.7	-21.0	17.5	-22.1	18.2	-22.9
ZONE 3	16.7	-21.0	17.5	-22.1	18.2	-22.9
ZONE 4	18.2	-19.0	19.1	-20.0	19.8	-20.7
ZONE 5	18.2	-24.0	19.1	-25.2	19.8	-26.2

ROOF VENTILATION

SECTION R806

SQUARE FOOTAGE OF ROOF TO BE VENTED = 2,111 SQ.FT.

NET FREE CROSS VENTILATION NEEDED:

WITHOUT 50% TO 80% OF VENTING 3'-0" ABOVE EAVE = 14.07 SQ.FT.

WITH 50% TO 80% OF VENTING 3'-0" ABOVE EAVE; OR WITH CLASS I OR II VAPOR RETARDER ON WARM-IN-WINTER SIDE OF CEILING = 7.04 SQ.FT.

GUARD RAIL NOTES

SECTION R312

R312.1 Where required. Guards shall be located along open-sided walking surfaces, including stairs, ramps and landings, that are located more than 30 inches (762 mm) measured vertically to the floor or grade below at any point within 36 inches (914 mm) horizontally to the edge of the open side. Insect screening shall not be considered as a guard.

R312.2 Height. Required guards at open-sided walking surfaces, including stairs, porches, balconies or landings, shall be not less than 36 inches (914 mm) high measured vertically above the adjacent walking surface, adjacent fixed seating or the line connecting the leading edges of the treads.

Exceptions:

- Guards on the open sides of stairs shall have a height not less than 34 inches (864 mm) measured vertically from a line connecting the leading edges of the treads.
- Where the top of the guard also serves as a handrail on the open sides of stairs, the top of the guard shall not be not less than 34 inches (864 mm) and not more than 38 inches (965 mm) measured vertically from a line connecting the leading edges of the treads.

R312.3 Opening limitations. Required guards shall not have openings from the walking surface to the required guard height which allow passage of a sphere 4 inches (102 mm) in diameter.

Exceptions:

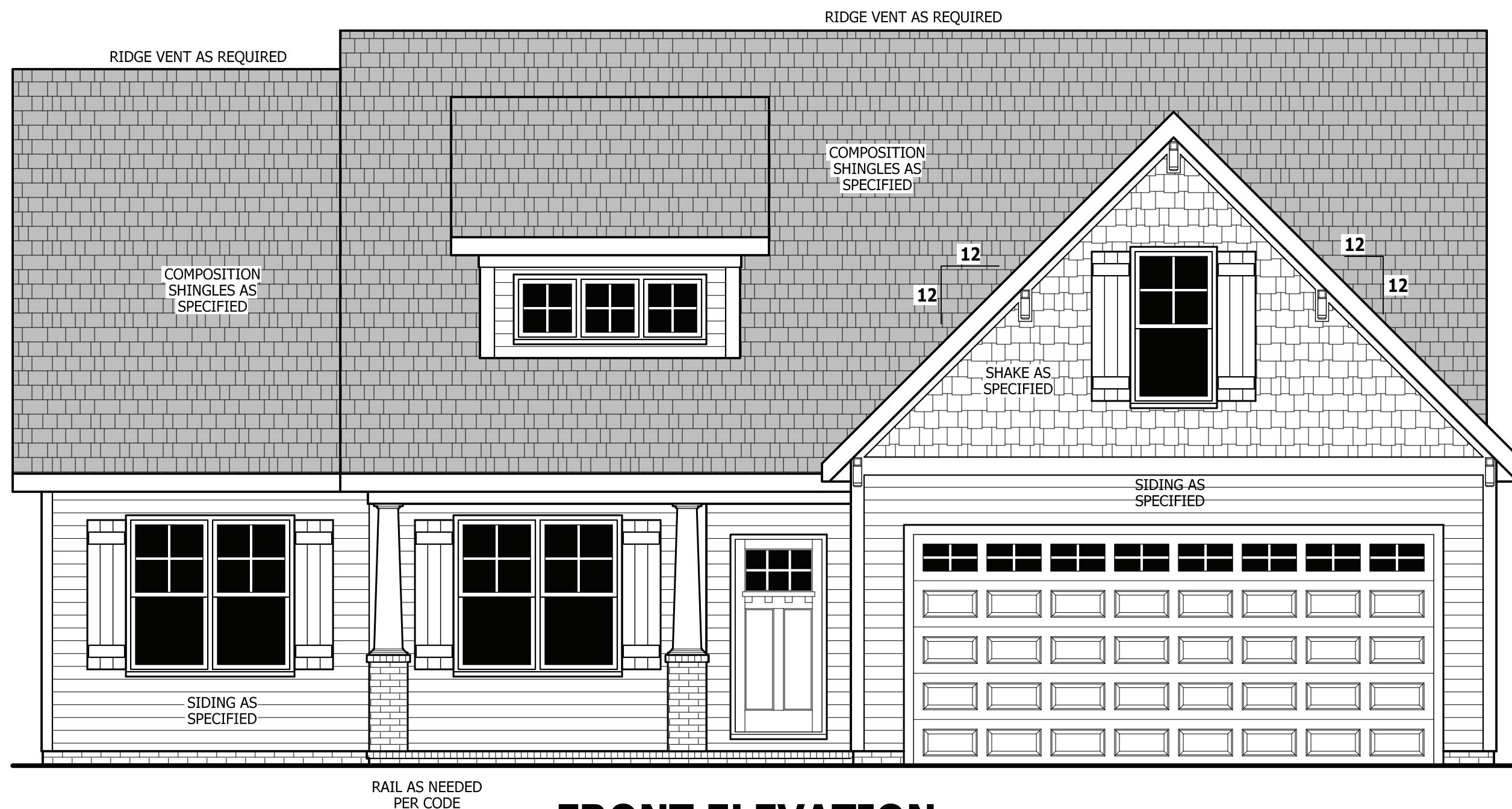
- The triangular openings at the open side of a stair, formed by the riser, tread and bottom rail of a guard, shall not allow passage of a sphere 6 inches (153 mm) in diameter.
- Guards on the open sides of stairs shall not have openings which allow passage of a sphere 43/8 inches (111 mm) in diameter.

AIR LEAKAGE

Section N1102.4

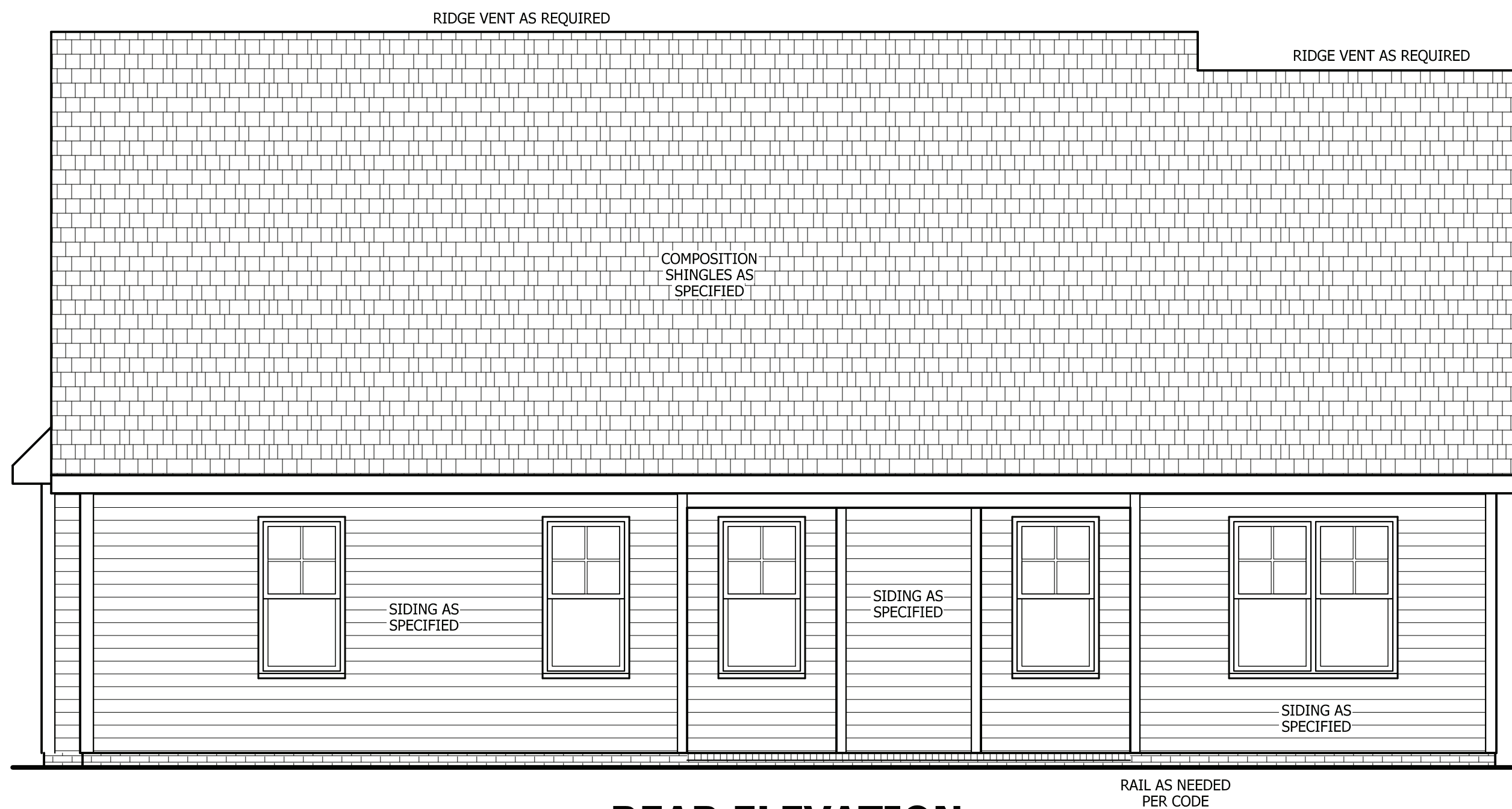
N1102.4.1 Building thermal envelope. The building thermal envelope shall be durably sealed with an air barrier system to limit infiltration. The sealing methods between dissimilar materials shall allow for differential expansion and contraction. For all homes, where present, the following shall be caulked, gasketed, weather stripped or otherwise sealed with an air barrier material or solid material consistent with Appendix E-2.4 of this code:

- Blocking and sealing floor/ceiling systems and under knee walls open to unconditioned or exterior space.
- Capping and sealing shafts or chases, including flue shafts.
- Capping and sealing soffit or dropped ceiling areas.



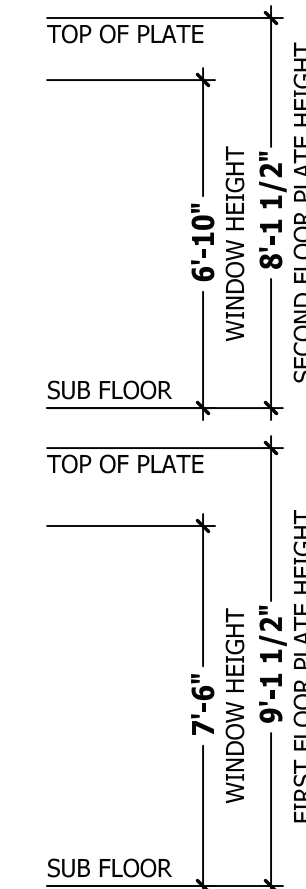
FRONT ELEVATION

SCALE 1/4" = 1'-0"



REAR ELEVATION

SCALE 1/4" = 1'-0"



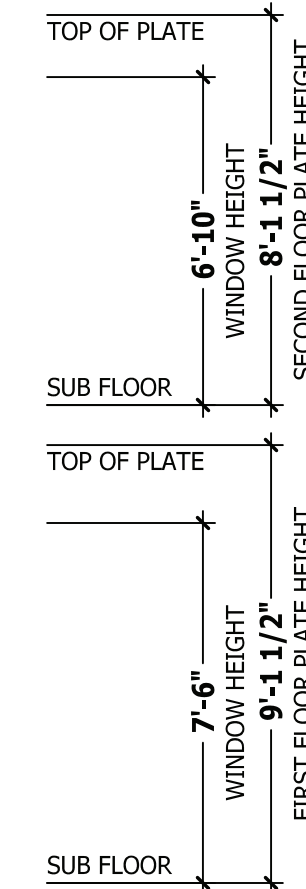
SQUARE FOOTAGE

HEATED	
FIRST FLOOR	1351 SQ.FT.
PLAYROOM	221 SQ.FT.
TOTAL	1572 SQ.FT.

HEATED OPTIONAL	
HALF BATH	28 SQ.FT.
TOTAL	28 SQ.FT.

UNHEATED	
FRONT PORCH	134 SQ.FT.
GARAGE	447 SQ.FT.
REAR PORCH	113 SQ.FT.
TOTAL	694 SQ.FT.

UNHEATED OPTIONAL	
THIRD GARAGE	307 SQ.FT.
TOTAL	307 SQ.FT.



PURCHASER MUST VERIFY ALL DIMENSIONS AND CONDITIONS BEFORE CONSTRUCTION BEGINS. HAYNES HOME PLANS, INC. ASSUMES NO LIABILITY FOR CONTRACTORS PRACTICES AND PROCEDURES. CODES AND CONDITIONS MAY VARY WITH LOCATION. A LOCAL DESIGNER, ARCHITECT OR ENGINEER SHOULD BE CONSULTED BEFORE CONSTRUCTION. THESE DRAWINGS ARE INSTRUMENTS OF SERVICE AND AS SUCH SHALL REMAIN PROPERTY OF THE DESIGNER.

FRONT & REAR ELEVATIONS
SINCLAIR

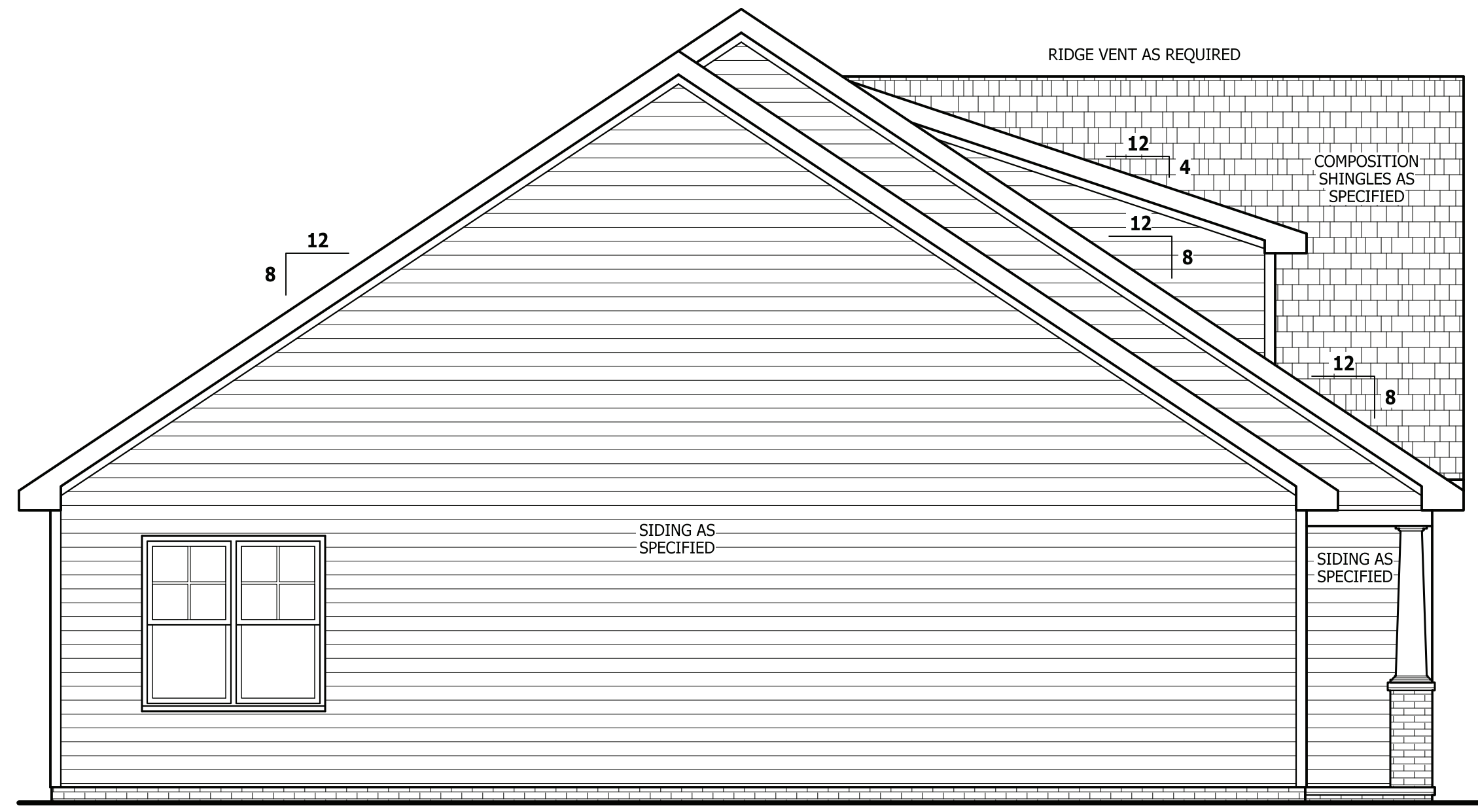
WEAVER HOMES
 910.630.2100 • 919.606.4696
 380 Wagoner Drive, Fayetteville, NC 28303

HAYNES HOME PLANS, INC.
 P.O. Box 702, Wake Forest, NC 27788 919-485-6180 Fax 1-866-491-0396

SQUARE FOOTAGE	
HEATED	
FIRST FLOOR	1351 SQ.FT.
PLAYROOM	221 SQ.FT.
TOTAL	1572 SQ.FT.
HEATED OPTIONAL	
HALF BATH	28 SQ.FT.
TOTAL	28 SQ.FT.
UNHEATED	
FRONT PORCH	134 SQ.FT.
GARAGE	447 SQ.FT.
REAR PORCH	113 SQ.FT.
TOTAL	694 SQ.FT.
UNHEATED OPTIONAL	
THIRD GARAGE	307 SQ.FT.
TOTAL	307 SQ.FT.

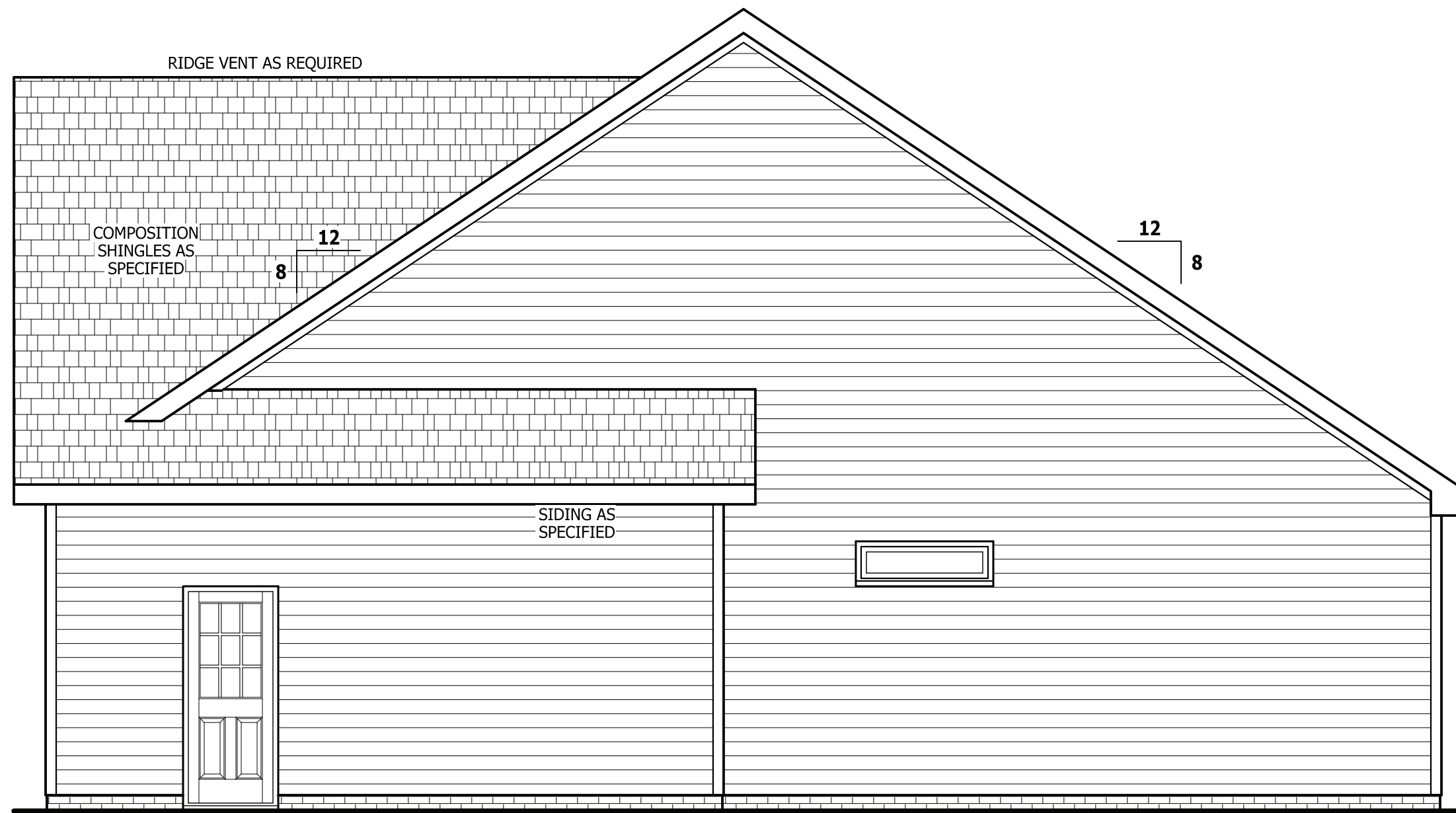
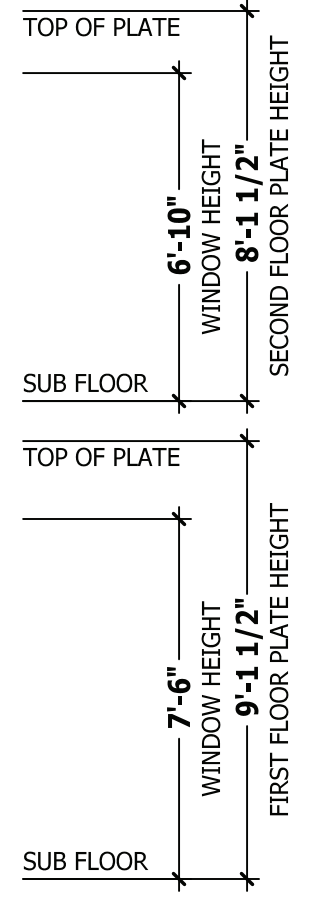
\\ARCHIVE\Archive\Builder\Weaver Development Company, Inc\200309B Sinclair\200309B Sinclair - Right.aec

PURCHASER MUST VERIFY ALL DIMENSIONS AND CONDITIONS BEFORE CONSTRUCTION BEGINS.
 HAYNES HOME PLANS, INC. ASSUMES NO LIABILITY FOR CONTRACTORS PRACTICES AND PROCEDURES.
 CODES AND CONDITIONS MAY VARY WITH LOCATION. A LOCAL DESIGNER, ARCHITECT OR ENGINEER SHOULD BE CONSULTED BEFORE CONSTRUCTION.
 THESE DRAWING ARE INSTRUMENTS OF SERVICE AND AS SUCH SHALL REMAIN PROPERTY OF THE DESIGNER.



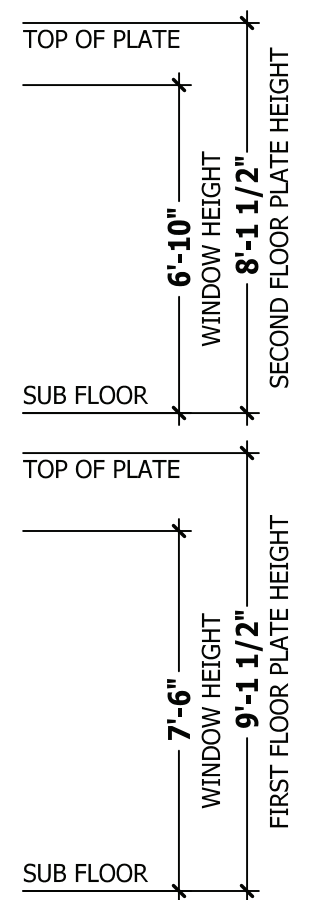
LEFT SIDE ELEVATION

SCALE 1/4" = 1'-0"



RIGHT SIDE ELEVATION

SCALE 1/4" = 1'-0"



LEFT & RIGHT ELEVATIONS
SINCLAIR

WEAVER HOMES
 910.630.2100 • 919.606.4696
 380 Weigance Drive, Fayetteville, NC 28803

HAYNES HOME PLANS, INC.
 P.O. Box 702, Wake Forest, NC 27888 919-485-6180 Fax 1-866-491-0396

SQUARE FOOTAGE	
HEATED	
FIRST FLOOR	1351 SQ. FT.
PLAYROOM	221 SQ. FT.
TOTAL	1572 SQ. FT.
HEATED OPTIONAL	
HALF BATH	28 SQ. FT.
TOTAL	28 SQ. FT.
UNHEATED	
FRONT PORCH	134 SQ. FT.
GARAGE	447 SQ. FT.
REAR PORCH	113 SQ. FT.
TOTAL	694 SQ. FT.
UNHEATED OPTIONAL	
THIRD GARAGE	307 SQ. FT.
TOTAL	307 SQ. FT.

© Copyright 2019
 Haynes Home Plans, Inc.

3/6/2020

190320B

PAGE 2 OF 8

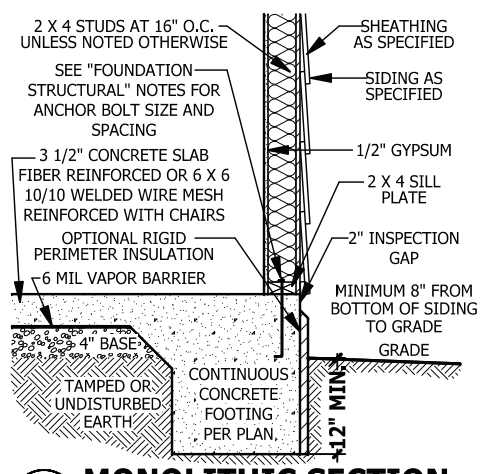
PURCHASER MUST VERIFY ALL DIMENSIONS AND CONDITIONS BEFORE CONSTRUCTION BEGINS. HAYNES HOME PLANS, INC. ASSUMES NO LIABILITY FOR CONTRACTORS PRACTICES AND PROCEDURES. CODES AND CONDITIONS MAY VARY WITH LOCATION. A LOCAL DESIGNER, ARCHITECT OR ENGINEER SHOULD BE CONSULTED BEFORE CONSTRUCTION. THESE DRAWING ARE INSTRUMENTS OF SERVICE AND AS SUCH SHALL REMAIN PROPERTY OF THE DESIGNER.

MONOLITHIC SLAB PLAN
SINCLAIR

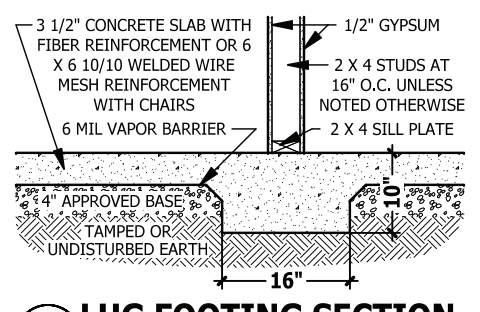
HAYNES WEAVER HOMES
HOME PLANS, INC.
 910.630.2100 • 919.606.4696
300 Wagoner Drive, Fayetteville, NC 28303

SQUARE FOOTAGE	
HEATED	
FIRST FLOOR	1351 SQ. FT.
PLAYROOM	221 SQ. FT.
TOTAL	1572 SQ. FT.
HEATED OPTIONAL	
HALF BATH	28 SQ. FT.
TOTAL	28 SQ. FT.
UNHEATED	
FRONT PORCH	134 SQ. FT.
GARAGE	447 SQ. FT.
REAR PORCH	113 SQ. FT.
TOTAL	694 SQ. FT.
UNHEATED OPTIONAL	
THIRD GARAGE	307 SQ. FT.
TOTAL	307 SQ. FT.

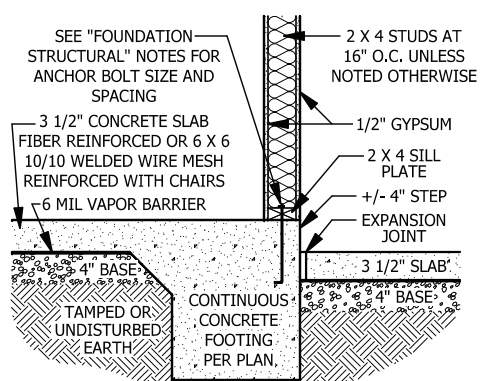
© Copyright 2019
 Haynes Home Plans, Inc.
3/6/2020
190320B
PAGE 3 OF 8



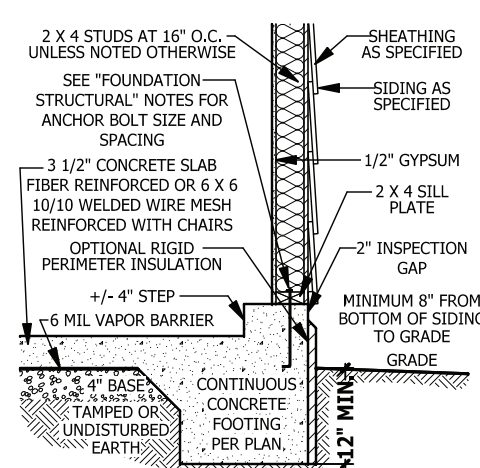
A MONOLITHIC SECTION
 SCALE 1/2" = 1'-0"



B LUG FOOTING SECTION
 SCALE 1/2" = 1'-0"



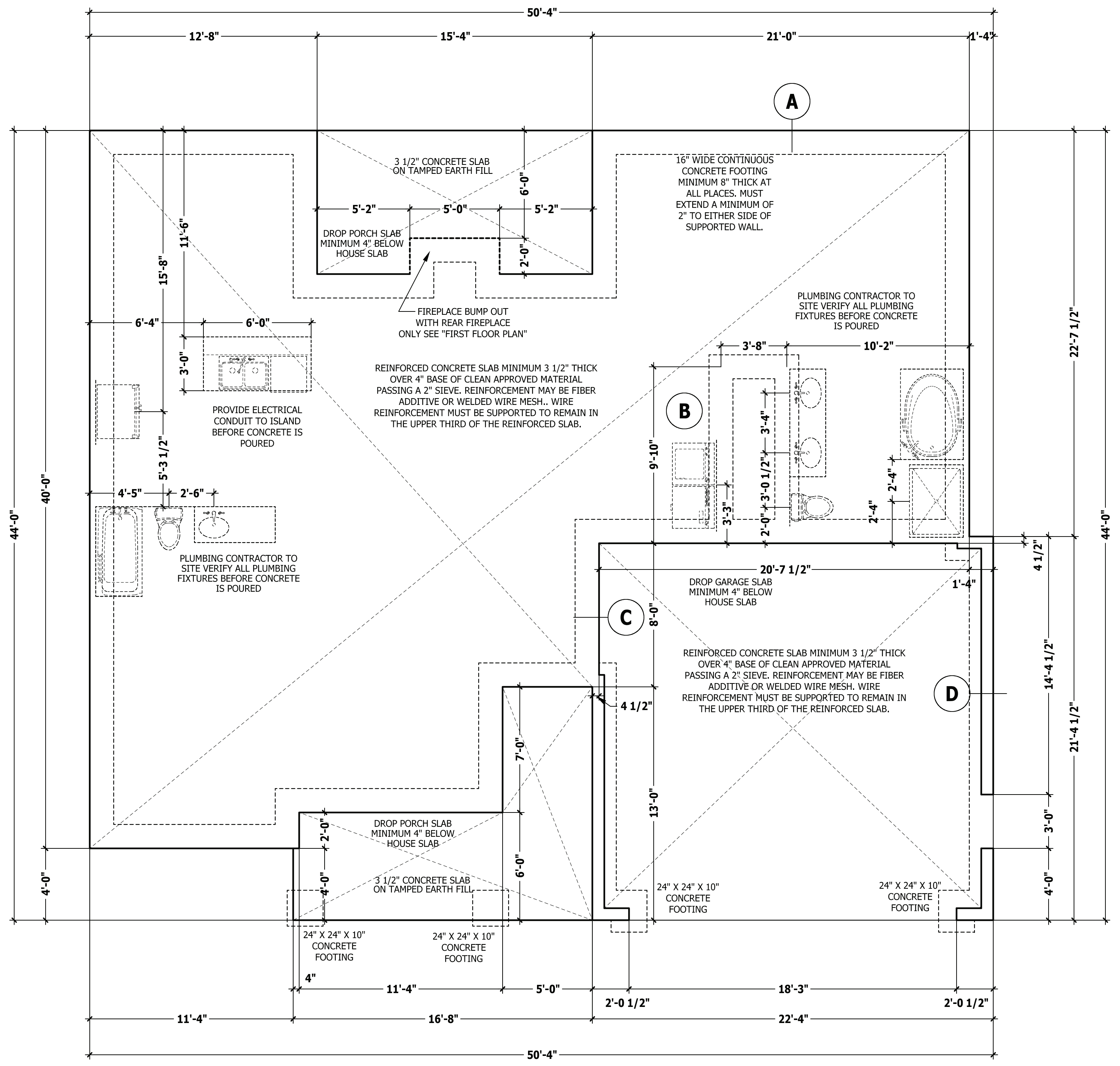
C MONOLITHIC AT STEP
 SCALE 1/2" = 1'-0"



D MONOLITHIC AT GARAGE
 SCALE 1/2" = 1'-0"

FOUNDATION STRUCTURAL

115 to 130 mph wind zone (1 1/2 to 2 1/2 story)
CONTINUOUS FOOTING: 16" wide and 8" thick minimum. 20" wide minimum at brick veneer. Must extend 2" to either side of supported wall.
GIRDERS: (3) 2 X 10 girder unless noted otherwise.
PIERS: 16" X 16" piers with 8" solid masonry cap on 30" X 30" X 10" concrete footing with maximum pier height of 64" with hollow masonry and 160" with solid masonry.
POINT LOADS: ■ designates significant point load and should have solid blocking to pier, girder or foundation wall.
115 and 120 MPH ANCHORS BOLTS: 1/2" diameter anchor bolts embedded minimum 7", maximum 6'-0" on center, within 12" of plate ends, and minimum two anchor bolts per plate.
130 MPH ANCHORS BOLTS: 1/2" diameter anchor bolts embedded minimum 15", maximum 4'-0" on center, within 12" of plate ends, and minimum two anchor bolts per plate.
CONCRETE: Concrete shall have a minimum 28 day strength of 3000 psi and a maximum 5" slump. Air entrained per table 402.2. All concrete shall be in accordance with ACI standards. All samples for pumping shall be taken from the exit end of the pump.
SOILS: Allowable soil bearing pressure assumed to be 2000 PSF. The contractor must contact a geotechnical engineer and a structural engineer if unsatisfactory subsurface conditions are encountered. The surface area adjacent to the foundation wall shall be provided with adequate drainage, and shall be graded so as to drain surface water away from foundation walls.



MONOLITHIC SLAB PLAN

SCALE 1/4" = 1'-0"

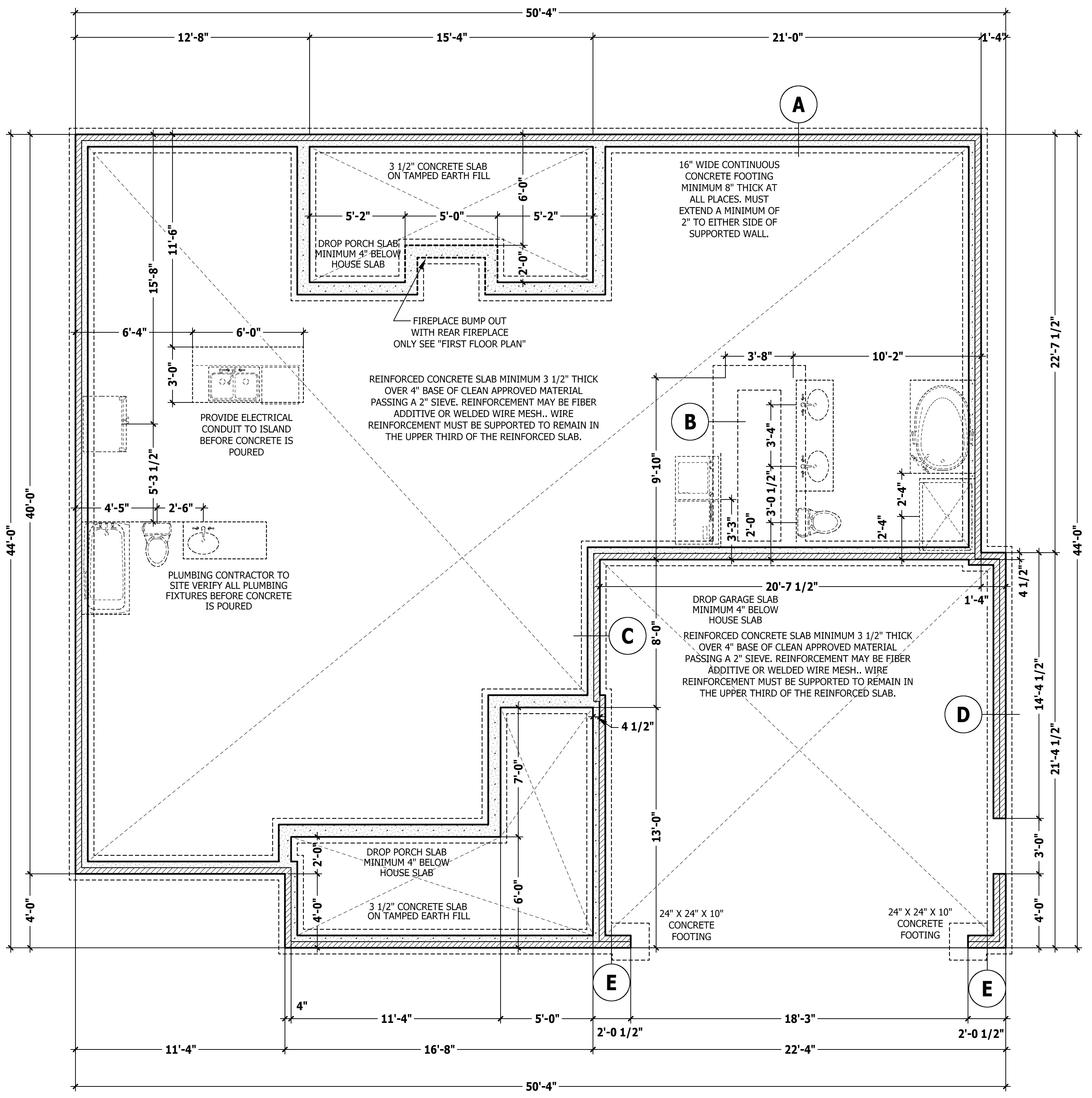
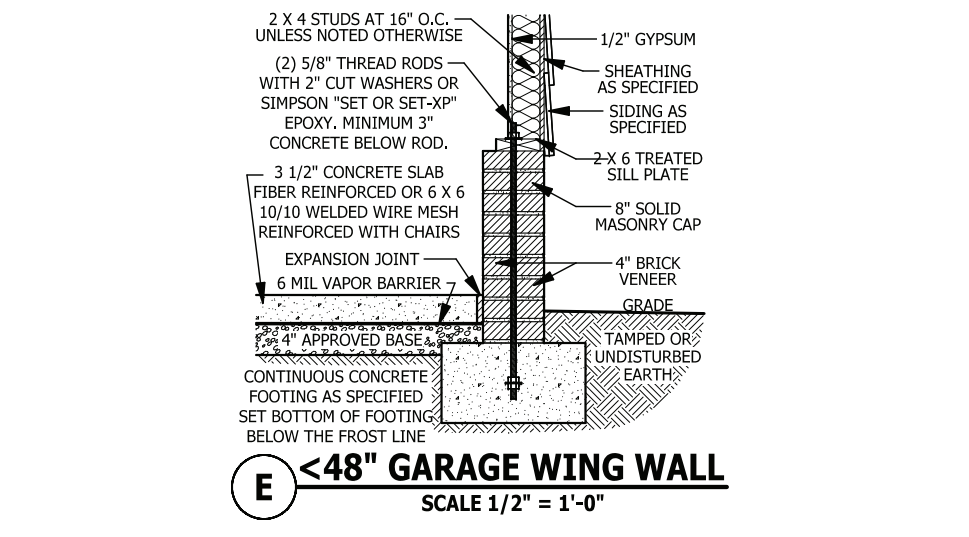
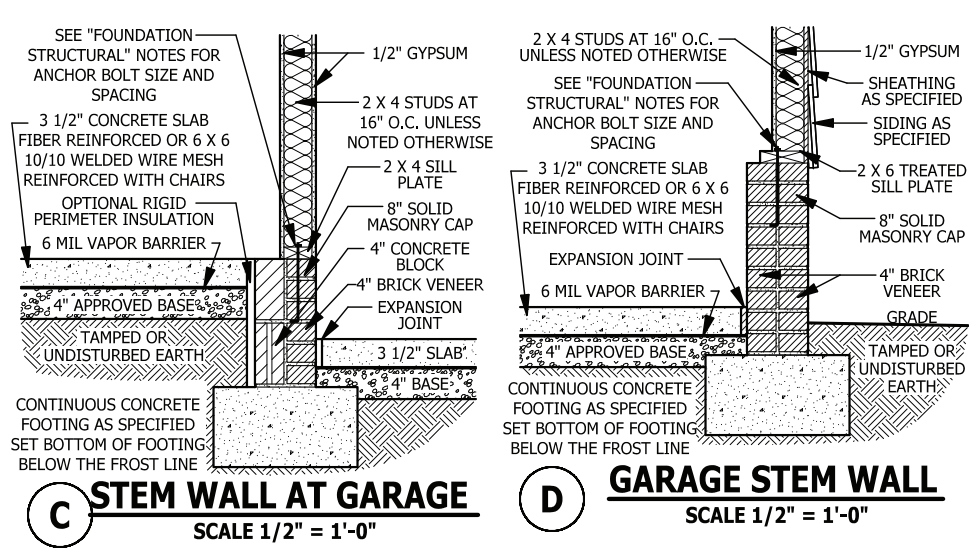
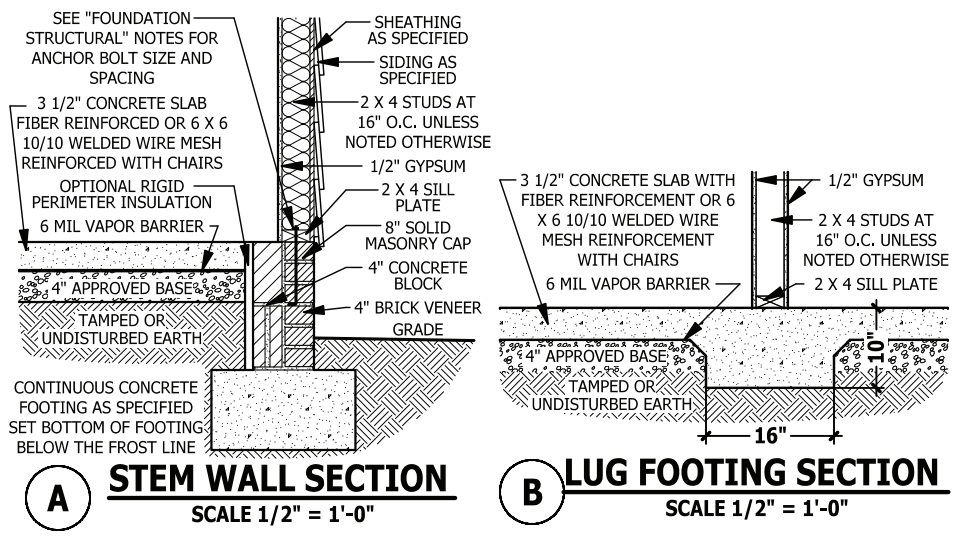
PURCHASER MUST VERIFY ALL DIMENSIONS AND CONDITIONS BEFORE CONSTRUCTION BEGINS. HAYNES HOME PLANS, INC. ASSUMES NO LIABILITY FOR CONTRACTORS PRACTICES AND PROCEDURES. CODES AND CONDITIONS MAY VARY WITH LOCATION. A LOCAL DESIGNER, ARCHITECT OR ENGINEER SHOULD BE CONSULTED BEFORE CONSTRUCTION. THESE DRAWINGS ARE INSTRUMENTS OF SERVICE AND AS SUCH SHALL REMAIN PROPERTY OF THE DESIGNER.

FOUNDATION PLAN
SINCLAIR

HAYNES WEAVER HOMES
HOME PLANS, INC.
910.630.2100 • 919.606.4696
350 Wagoner Drive, Fayetteville, NC 28303
P.O. Box 702, Wake Forest, NC 27788 919-485-6180 Fax 1-866-491-0396

SQUARE FOOTAGE	
HEATED	
FIRST FLOOR	1351 SQ. FT.
PLAYROOM	221 SQ. FT.
TOTAL	1572 SQ. FT.
HEATED OPTIONAL	
HALF BATH	28 SQ. FT.
TOTAL	28 SQ. FT.
UNHEATED	
FRONT PORCH	134 SQ. FT.
GARAGE	447 SQ. FT.
REAR PORCH	113 SQ. FT.
TOTAL	694 SQ. FT.
UNHEATED OPTIONAL	
THIRD GARAGE	307 SQ. FT.
TOTAL	307 SQ. FT.

© Copyright 2019
Haynes Home Plans, Inc.
3/6/2020
190320B
PAGE 3 OF 8



FOUNDATION STRUCTURAL

115 to 130 mph wind zone (1 1/2 to 2 1/2 story)
CONTINUOUS FOOTING: 16" wide and 8" thick minimum. 20" wide minimum at brick veneer. Must extend 2" to either side of supported wall.
GIRDERS: (3) 2 X 10 girder unless noted otherwise.
PIERS: 16" X 16" piers with 8" solid masonry cap on 30" X 30" X 10" concrete footing with maximum pier height of 64" with hollow masonry and 160" with solid masonry.
POINT LOADS: ■ designates significant point load and should have solid blocking to pier, girder or foundation wall.
115 and 120 MPH ANCHORS BOLTS: 1/2" diameter anchor bolts embedded minimum 7", maximum 6'-0" on center, within 12" of plate ends, and minimum two anchor bolts per plate.
130 MPH ANCHORS BOLTS: 1/2" diameter anchor bolts embedded minimum 15", maximum 4'-0" on center, within 12" of plate ends, and minimum two anchor bolts per plate.
CONCRETE: Concrete shall have a minimum 28 day strength of 3000 psi and a maximum 5" slump. Air entrained per table 402.2. All concrete shall be in accordance with ACI standards. All samples for pumping shall be taken from the exit end of the pump.
SOILS: Allowable soil bearing pressure assumed to be 2000 PSF. The contractor must contact a geotechnical engineer and a structural engineer if unsatisfactory subsurface conditions are encountered. The surface area adjacent to the foundation wall shall be provided with adequate drainage, and shall be graded so as to drain surface water away from foundation walls.

STRUCTURAL NOTES

All construction shall conform to the latest requirements of the 2018 North Carolina Residential Building Code, plus all local codes and regulations. This document in no way shall be construed to supersede the code.

JOB SITE PRACTICES AND SAFETY: Haynes Home Plans, Inc. assumes no liability for contractors practices and procedures or safety program. Haynes Home Plans, Inc. takes no responsibility for the contractor's failure to carry out the construction work in accordance with the contract documents. All members shall be framed, anchored, and braced in accordance with good construction practice and the building code.

DESIGN LOADS	LIVE LOAD (PSF)	DEAD LOAD (PSF)	DEFLECTION (LL)
Attics without storage	10		L/240
Attics with limited storage	20	10	L/360
Attics with fixed stairs	40	10	L/360
Balconies and decks	40	10	L/360
Fire escapes	40	10	L/360
Guardrails and handrails	200	--	--
Guardrail in-fill components	50	--	--
Passenger vehicle garages	50	10	L/360
Rooms other than sleeping	40	10	L/360
Sleeping rooms	30	10	L/360
Stairs	40	--	L/360
Snow	20	--	--

FRAMING LUMBER: All non treated framing lumber shall be SPF #2 (Fb = 875 PSI) or SYP #2 (Fb = 750 PSI) and all treated lumber shall be SYP #2 (Fb = 750 PSI) unless noted otherwise.

ENGINEERED WOOD BEAMS:

Laminated veneer lumber (LVL) = Fb=2600 PSI, Fv=285 PSI, E=1.9x10⁶ PSI
 Parallel strand lumber (PSL) = Fb=2900 PSI, Fv=290 PSI, E=2.0x10⁶ PSI
 Laminated strand lumber (LSL) = Fb=2250 PSI, Fv=400 PSI, E=1.55x10⁶ PSI
 Install all connections per manufacturers instructions.

TRUSS AND I-JOIST MEMBERS: All roof truss and I-joist layouts shall be prepared in accordance with this document. Trusses and I-joists shall be installed according to the manufacturer's specifications. Any change in truss or I-joist layout shall be coordinated with Haynes Home Plans, Inc.

LINTELS: Brick lintels shall be 3 1/2" x 3 1/2" x 1/4" steel angle for up to 6'-0" span, 6" x 4" x 5/16" steel angle with 6" leg vertical for spans up to 9'-0" unless noted otherwise, 3 1/2" x 3 1/2" x 1/4" steel angle with 1/2" bolts at 2'-0" on center for spans up to 18'-0" unless noted otherwise.

FLOOR SHEATHING: OSB or CDX floor sheathing minimum 1/2" thick for 16" on center joist spacing, minimum 5/8" thick for 19.2" on center joist spacing, and minimum 3/4" thick for 24" on center joist spacing.

ROOF SHEATHING: OSB or CDX roof sheathing minimum 3/8" thick for 16" on center rafters and 7/16" for 24" on center rafters.

CONCRETE AND SOILS: See foundation notes.

BRACE WALL PANEL NOTES

EXTERIOR WALLS: All exterior walls to be sheathed with CS-WSP or CS-SFB in accordance with section R602.10.3 unless noted otherwise.

GYPSUM: All interior sides of exterior walls and both sides interior walls to have 1/2" gypsum installed. When not using method GB gypsum to be fastened per table R702.3.5. Method GB to be fastened per table R602.10.1.

REQUIRED LENGTH OF BRACING: Required brace wall length for each side of the circumscribed rectangle are interpolated per table R602.10.3. Methods CS-WSP and CS-SFB contribute their actual length. Method GB contributes 0.5 it's actual length. Method PF contributes 1.5 times its actual length.

HD: 800 lbs hold down hold down device fastened to the edge of the brace wall panel closets to the corner.

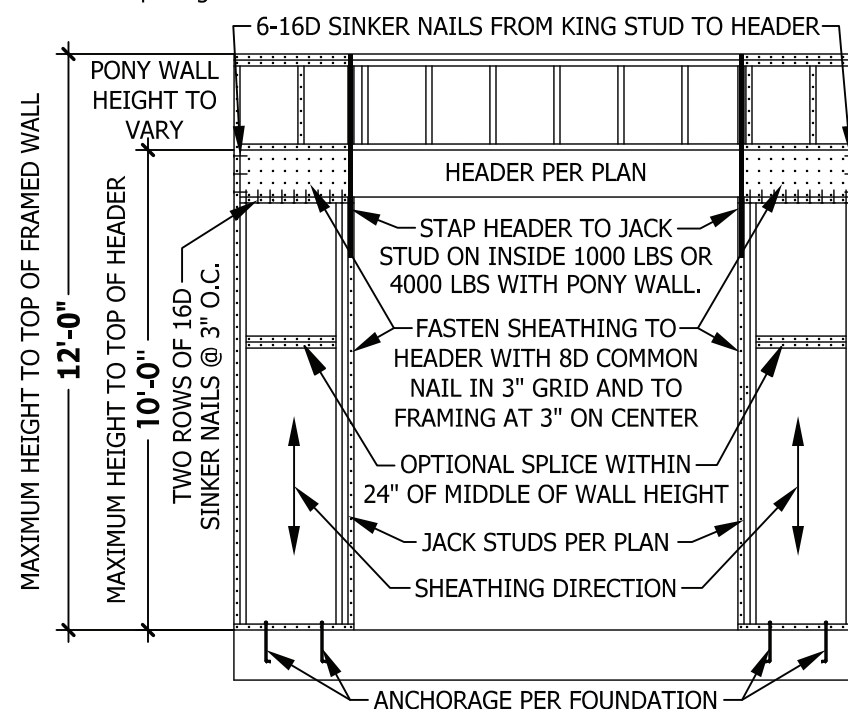
Methods Per Table R602.10.1

CS-WSP: Shall be minimum 3/8" OSB or CDX nailed at 6" on center at edges and 12" on center at intermediate supports with 6d common nails or 8d(2 1/2" long x 0.113" diameter).

CS-SFB: Shall be minimum 1/2" structural fiber board nailed at 3" on center at edges and 3" on center at intermediate supports with 1 1/2" long x 0.12" diameter galvanized roofing nails.

GB: Interior walls show as GB are to have minimum 1/2" gypsum board on both sides of the wall fastened at 7" on center at edges and 7" on center at intermediate supports with minimum 5d cooler nails or #6 screws.

PF: Portal frame per figure R602.10.1



PF PORTAL FRAME AT OPENING
 (METHOD PF PER FIGURE AND SECTION R602.10.1)
 SCALE 1/4" = 1'-0"

EXTERIOR HEADERS

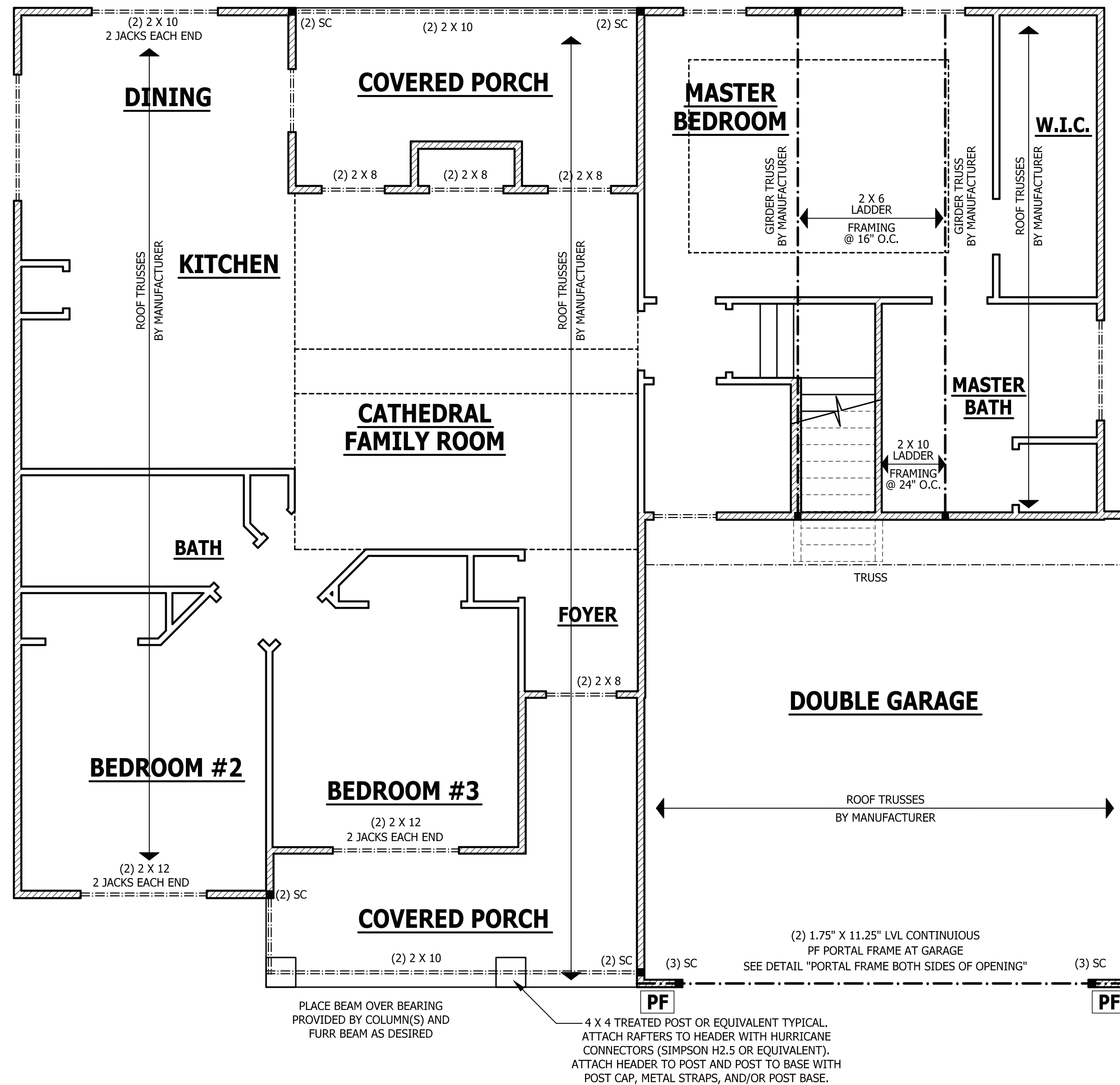
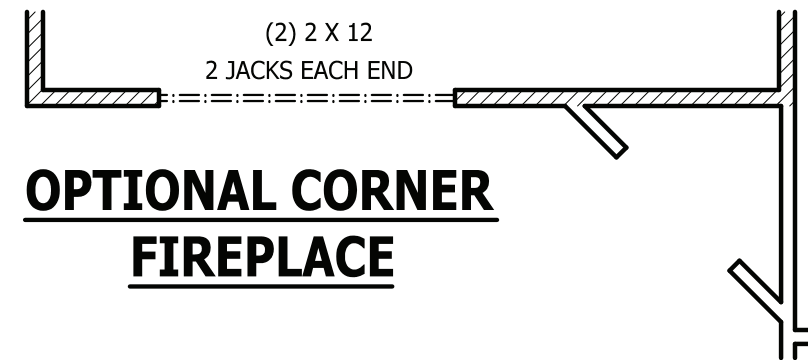
- (2) 2 X 6 WITH 1 JACK STUD EACH END
 UNLESS NOTED OTHERWISE

HEADER SPAN	< 3'	3'-4'	4'-8'	8'-12'	12'-16'
KING STUD(S)	1	2	3	5	6

INTERIOR HEADERS

- **LOAD BEARING HEADERS (2) 2 X 6 WITH 1 JACK STUD AND 1 KING STUD EACH END UNLESS NOTED OTHERWISE**
 - **NON LOAD BEARING HEADERS TO BE LADDER FRAMED**

OPTIONAL CORNER FIREPLACE



FIRST FLOOR STRUCTURAL

SCALE 1/4" = 1'-0"

ROOF TRUSS REQUIREMENTS

TRUSS DESIGN. Trusses to be designed and engineered in accordance with these drawings. Any variation with these drawings must be brought to Haynes Home Plan, Inc. attention before construction begins.

KNEE WALL AND CEILING HEIGHTS. All finished knee wall heights and ceiling heights are shown furred down 10" from roof decking for insulation. If for any reason the truss manufacturer fails to meet or exceed designated heel heights, finished knee wall heights, or finished ceiling heights shown on these drawings the finished square footage may vary. Any discrepancy must be brought to Haynes Home Plans, Inc. attention, so a suitable solution can be reached before construction begins. Any variation due to these conditions not being met is the responsibility of the truss manufacturer.

ANCHORAGE. All required anchors for trusses due to uplift or bearing shall meet the requirements as specified on the truss schematics.

BEARING. All trusses shall be designed for bearing on SPF #2 plates or ledgers unless noted otherwise.

Plate Heights & Floor Systems. See elevation page(s) for plate heights and floor system thicknesses.

PURCHASER MUST VERIFY ALL DIMENSIONS AND CONDITIONS BEFORE CONSTRUCTION BEGINS. HAYNES HOME PLANS, INC. ASSUMES NO LIABILITY FOR CONTRACTORS PRACTICES AND PROCEDURES. CODES AND CONDITIONS MAY VARY WITH LOCATION. A LOCAL DESIGNER, ARCHITECT OR ENGINEER SHOULD BE CONSULTED BEFORE CONSTRUCTION. THESE DRAWING ARE INSTRUMENTS OF SERVICE AND AS SUCH SHALL REMAIN PROPERTY OF THE DESIGNER.

FIRST FLOOR STRUCTURAL
SINCLAIR

HAYNES WEAVER HOMES
 HOME PLANS, INC.
 P.O. Box 702, Wake Forest, NC 27788 919-485-6180 FAX 1-866-491-0366
 910.630.2100 • 919.606.4696
 380 Wagoner Drive, Fayetteville, NC 28803

SQUARE FOOTAGE	
HEATED	
FIRST FLOOR	1351 SQ. FT.
PLAYROOM	221 SQ. FT.
TOTAL	1572 SQ. FT.
HEATED OPTIONAL	
HALF BATH	28 SQ. FT.
TOTAL	28 SQ. FT.
UNHEATED	
FRONT PORCH	134 SQ. FT.
GARAGE	447 SQ. FT.
REAR PORCH	113 SQ. FT.
TOTAL	694 SQ. FT.
UNHEATED OPTIONAL	
THIRD GARAGE	307 SQ. FT.
TOTAL	307 SQ. FT.

© Copyright 2019
 Haynes Home Plans, Inc.

3/6/2020

190320B

PAGE 5 OF 8

STRUCTURAL NOTES

All construction shall conform to the latest requirements of the 2018 North Carolina Residential Building Code, plus all local codes and regulations. This document in no way shall be construed to supersede the code.

JOB SITE PRACTICES AND SAFETY: Haynes Home Plans, Inc. assumes no liability for contractor practices and procedures or safety program. Haynes Home Plans, Inc. takes no responsibility for the contractor's failure to carry out the construction work in accordance with the contract documents. All members shall be framed, anchored, and braced in accordance with good construction practice and the building code.

DESIGN LOADS	LIVE LOAD (PSF)	DEAD LOAD (PSF)	DEFLECTION (LL)
USE			
Attics without storage	10		L/240
Attics with limited storage	20	10	L/360
Attics with fixed stairs	40	10	L/360
Balconies and decks	40	10	L/360
Fire escapes	40	10	L/360
Guardrails and handrails	200	--	--
Guardrail in-fill components	50	--	--
Passenger vehicle garages	50	10	L/360
Rooms other than sleeping	40	10	L/360
Sleeping rooms	30	10	L/360
Stairs	40	--	L/360
Snow	20	--	--

FRAMING LUMBER: All non treated framing lumber shall be SPF #2 (Fb = 875 PSI) or SYP #2 (Fb = 750 PSI) and all treated lumber shall be SYP #2 (Fb = 750 PSI) unless noted other wise.

ENGINEERED WOOD BEAMS: Laminated veneer lumber (LVL) = Fb=2600 PSI, Fv=285 PSI, E=1.9x10⁶ PSI Parallel strand lumber (PSL) = Fb=2900 PSI, Fv=290 PSI, E=2.0x10⁶ PSI Laminated strand lumber (LSL) Fb=2250 PSI, Fv=400 PSI, E=1.55x10⁶ PSI Install all connections per manufacturers instructions.

TRUSS AND I-JOIST MEMBERS: All roof truss and I-joist layouts shall be prepared in accordance with this document. Trusses and I-joists shall be installed according to the manufacture's specifications. Any change in truss or I-joist layout shall be coordinated with Haynes Homes Plans, Inc.

LINTELS: Brick lintels shall be 3 1/2" x 3 1/2" x 1/4" steel angle for up to 6'-0" span. 6" x 4" x 5/16" steel angle with 6" leg vertical for spans up to 9'-0" unless noted otherwise. 3 1/2" x 3 1/2" x 1/4" steel angle with 1/2" bolts at 2'-0" on center for spans up to 18'-0" unless noted otherwise.

FLOOR SHEATHING: OSB or CDX floor sheathing minimum 1/2" thick for 16" on center joist spacing, minimum 5/8" thick for 19.2" on center joist spacing, and minimum 3/4" thick for 24" on center joist spacing.

ROOF SHEATHING: OSB or CDX roof sheathing minimum 3/8" thick for 16" on center rafters and 7/16" for 24" on center rafters.

CONCRETE AND SOILS: See foundation notes.

ROOF TRUSS REQUIREMENTS

TRUSS DESIGN. Trusses to be designed and engineered in accordance with these drawings. Any variation with these drawings must be brought to Haynes Home Plan, Inc. attention before construction begins.

KNEE WALL AND CEILING HEIGHTS. All finished knee wall heights and ceiling heights are shown furred down 10" from roof decking for insulation. If for any reason the truss manufacturer fails to meet or exceed designated heel heights, finished knee wall heights, or finished ceiling heights shown on these drawings the finished square footage may vary. Any discrepancy must be brought to Haynes Home Plans, Inc. attention, so a suitable solution can be reached before construction begins. Any variation due to these conditions not being met is the responsibility of the truss manufacturer.

ANCHORAGE. All required anchors for trusses due to uplift or bearing shall meet the requirements as specified on the truss schematics.

BEARING. All trusses shall be designed for bearing on SPF #2 plates or ledgers unless noted otherwise.

Plate Heights & Floor Systems. See elevation page(s) for plate heights and floor system thicknesses.

EXTERIOR HEADERS

- (2) 2 X 6 WITH 1 JACK STUD EACH END UNLESS NOTED OTHERWISE
- KING STUDS EACH END PER TABLE BELOW

HEADER SPAN	< 3'	3'-4'	4'-8'	8'-12'	12'-16'
KING STUD(S)	1	2	3	5	6

INTERIOR HEADERS

- LOAD BEARING HEADERS (2) 2 X 6 WITH 1 JACK STUD AND 1 KING STUD EACH END UNLESS NOTED OTHERWISE
- NON LOAD BEARING HEADERS TO BE LADDER FRAMED

ATTIC ACCESS

SECTION R807

R807.1 Attic access. An attic access opening shall be provided to attic areas that exceed 400 square feet (37.16 m²) and have a vertical height of 60 inches (1524 mm) or greater. The net clear opening shall not be less than 20 inches by 30 inches (508 mm by 762 mm) and shall be located in a hallway or other readily accessible location. A 30-inch (762 mm) minimum unobstructed headroom in the attic space shall be provided at some point above the access opening. See Section M1305.1.3 for access requirements where mechanical equipment is located in attics.

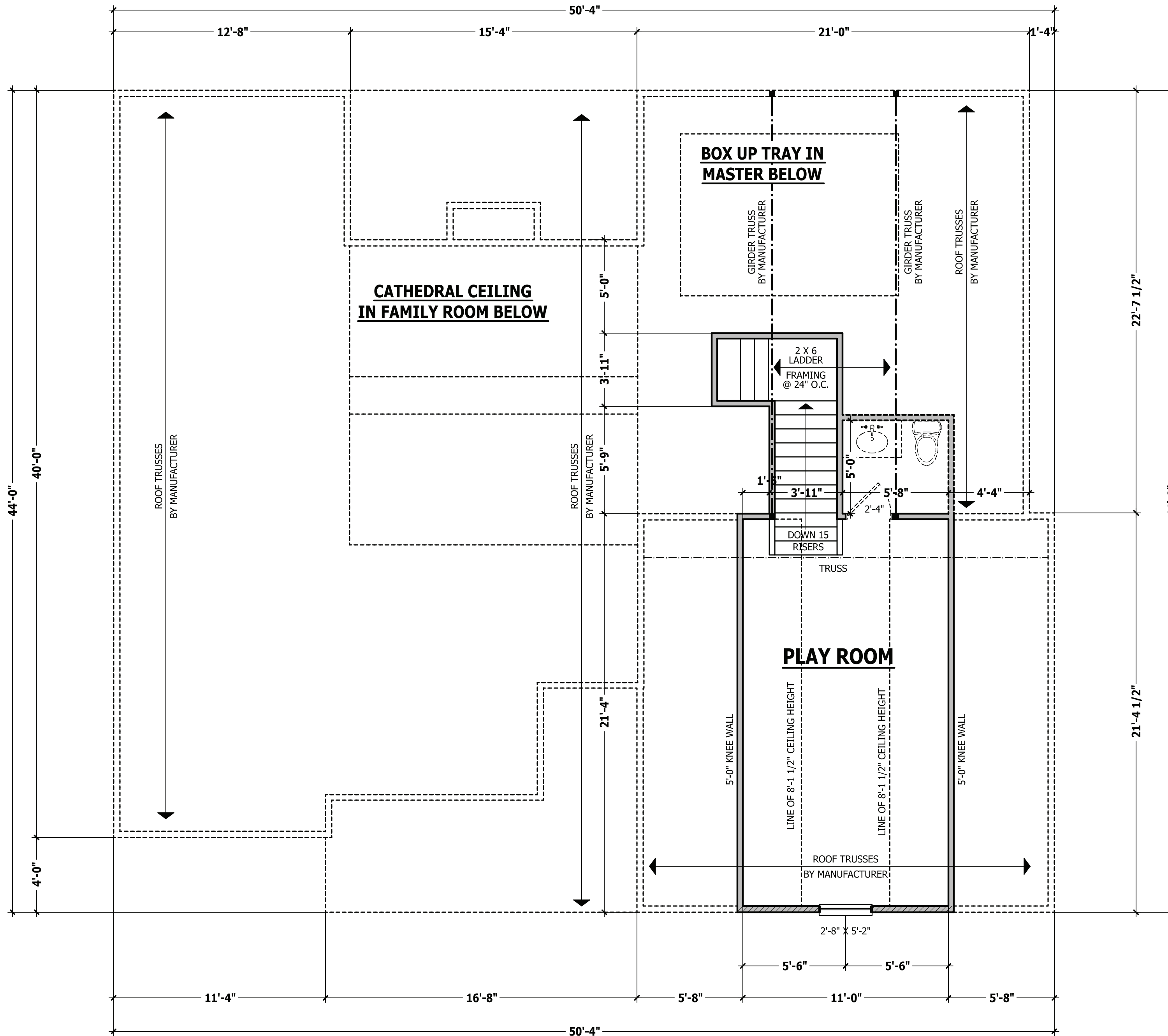
Exceptions:

1. Concealed areas not located over the main structure including porches, areas behind knee walls, dormers, bay windows, etc. are not required to have access.
2. Pull down stair treads, stringers, handrails, and hardware may protrude into the net clear opening.

WALL THICKNESSES

Exterior walls and walls adjacent to a garage area are drawn as 4" or as noted 2 X 6 are drawn as 6" to include 1/2" sheathing or gypsum. Subtract 1/2" for stud face.

Interior walls are drawn as 3 1/2" or as noted 2 X 6 are drawn as 5 1/2", and do not include gypsum.



SECOND FLOOR PLAN

SCALE 1/4" = 1'-0"

PURCHASER MUST VERIFY ALL DIMENSIONS AND CONDITIONS BEFORE CONSTRUCTION BEGINS. HAYNES HOME PLANS, INC. ASSUMES NO LIABILITY FOR CONTRACTORS PRACTICES AND PROCEDURES. CODES AND CONDITIONS MAY VARY WITH LOCATION. A LOCAL DESIGNER, ARCHITECT OR ENGINEER SHOULD BE CONSULTED BEFORE CONSTRUCTION. THESE DRAWINGS ARE INSTRUMENTS OF SERVICE AND AS SUCH SHALL REMAIN PROPERTY OF THE DESIGNER.

SECOND FLOOR PLAN
SINCLAIR

WEAVER HOMES
910.630.2100 • 919.606.4696
350 Weagance Drive, Fayetteville, NC 28303

HAYNES HOME PLANS, INC.
P.O. Box 702, Wake Forest, NC 27788 919-435-6180 FAX 1-866-491-0396

SQUARE FOOTAGE	
HEATED	
FIRST FLOOR	1351 SQ. FT.
PLAYROOM	221 SQ. FT.
TOTAL	1572 SQ. FT.
HEATED OPTIONAL	
HALF BATH	28 SQ. FT.
TOTAL	28 SQ. FT.
UNHEATED	
FRONT PORCH	134 SQ. FT.
GARAGE	447 SQ. FT.
REAR PORCH	113 SQ. FT.
TOTAL	694 SQ. FT.
UNHEATED OPTIONAL	
THIRD GARAGE	307 SQ. FT.
TOTAL	307 SQ. FT.

© Copyright 2019 Haynes Home Plans, Inc.

3/6/2020

190320B

PAGE 6 OF 8

ROOF TRUSS REQUIREMENTS

TRUSS DESIGN. Trusses to be designed and engineered in accordance with these drawings. Any variation with these drawings must be brought to Haynes Home Plan, Inc. attention before construction begins.

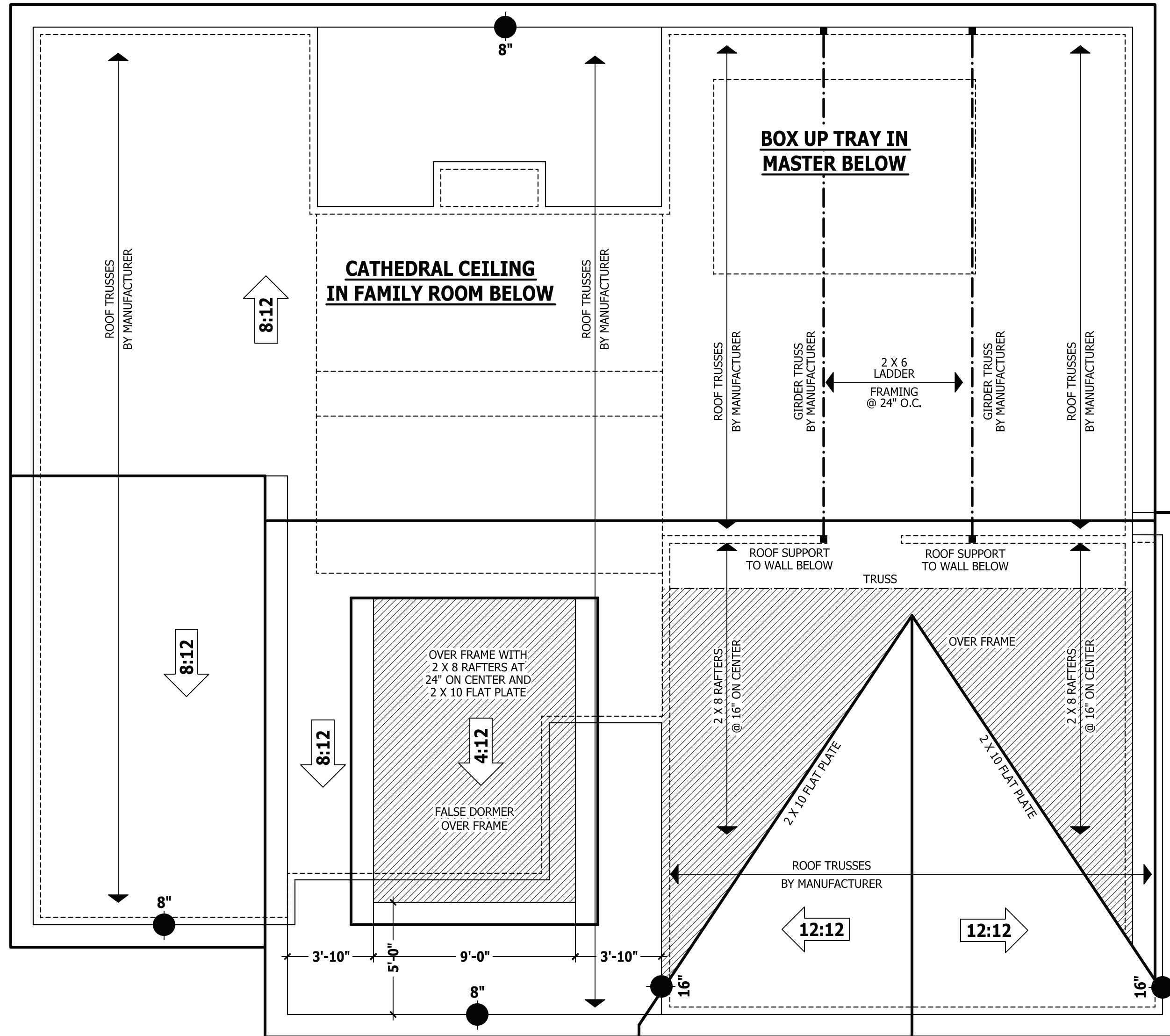
KNEE WALL AND CEILING HEIGHTS. All finished knee wall heights and ceiling heights are shown furred down 10" from roof decking for insulation. If for any reason the truss manufacturer fails to meet or exceed designated heel heights, finished knee wall heights, or finished ceiling heights shown on these drawings the finished square footage may vary. Any discrepancy must be brought to Haynes Home Plans, Inc. attention, so a suitable solution can be reached before construction begins. Any variation due to these conditions not being met is the responsibility of the truss manufacturer.

ANCHORAGE. All required anchors for trusses due to uplift or bearing shall meet the requirements as specified on the truss schematics.

BEARING. All trusses shall be designed for bearing on SPF #2 plates or ledgers unless noted otherwise.

Plate Heights & Floor Systems. See elevation page(s) for plate heights and floor system thicknesses.

● HEEL HEIGHT ABOVE FIRST FLOOR PLATE ● HEEL HEIGHT ABOVE SECOND FLOOR PLATE



ROOF PLAN

SCALE 1/4" = 1'-0"

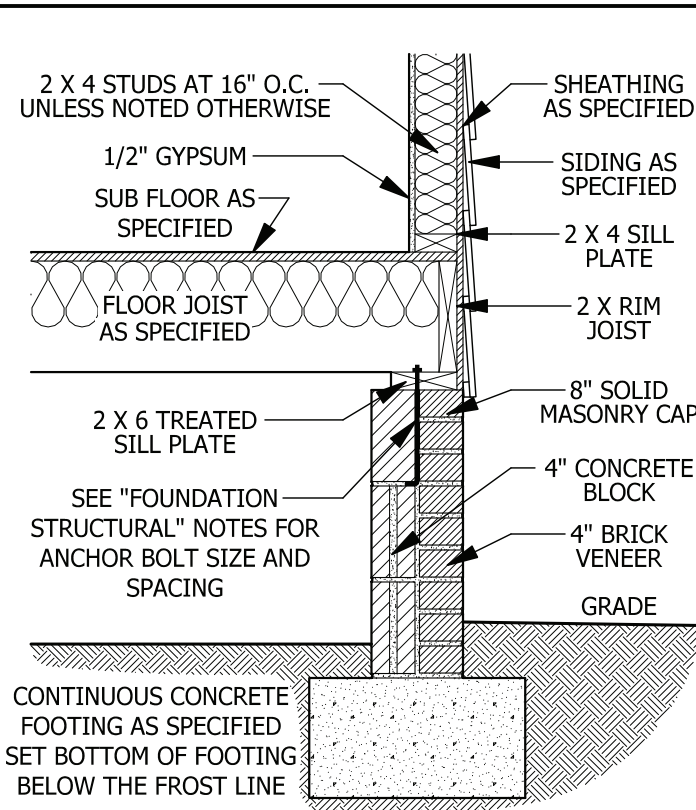
PURCHASER MUST VERIFY ALL DIMENSIONS AND CONDITIONS BEFORE CONSTRUCTION BEGINS. HAYNES HOME PLANS, INC. ASSUMES NO LIABILITY FOR CONTRACTORS PRACTICES AND PROCEDURES. CODES AND CONDITIONS MAY VARY WITH LOCATION. A LOCAL DESIGNER, ARCHITECT OR ENGINEER SHOULD BE CONSULTED BEFORE CONSTRUCTION. THESE DRAWING ARE INSTRUMENTS OF SERVICE AND AS SUCH SHALL REMAIN PROPERTY OF THE DESIGNER.

ROOF PLAN
SINCLAIR

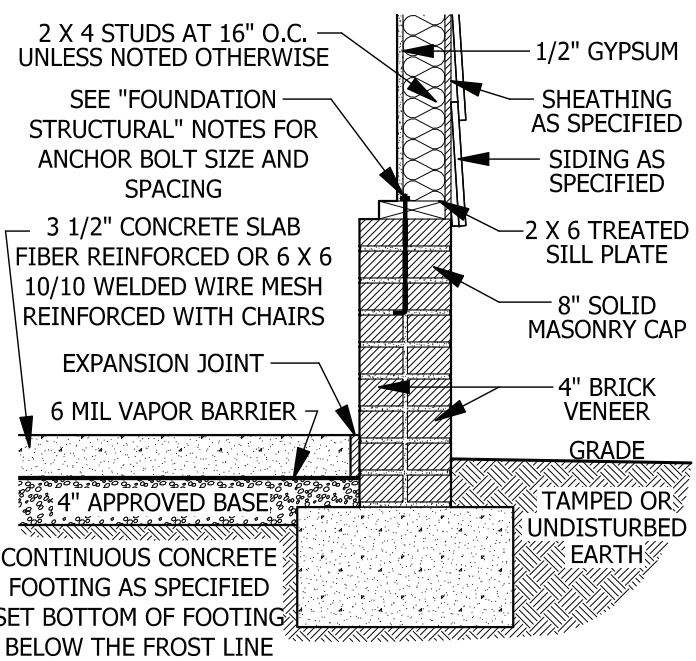
WEAVER HOMES
910.630.2100 • 919.606.4696
380 Waggoner Drive, Fayetteville, NC 28303

HAYNES HOME PLANS, INC.
P.O. Box 702, Wake Forest, NC 27588 919-435-6180 FAX 1-866-491-0396

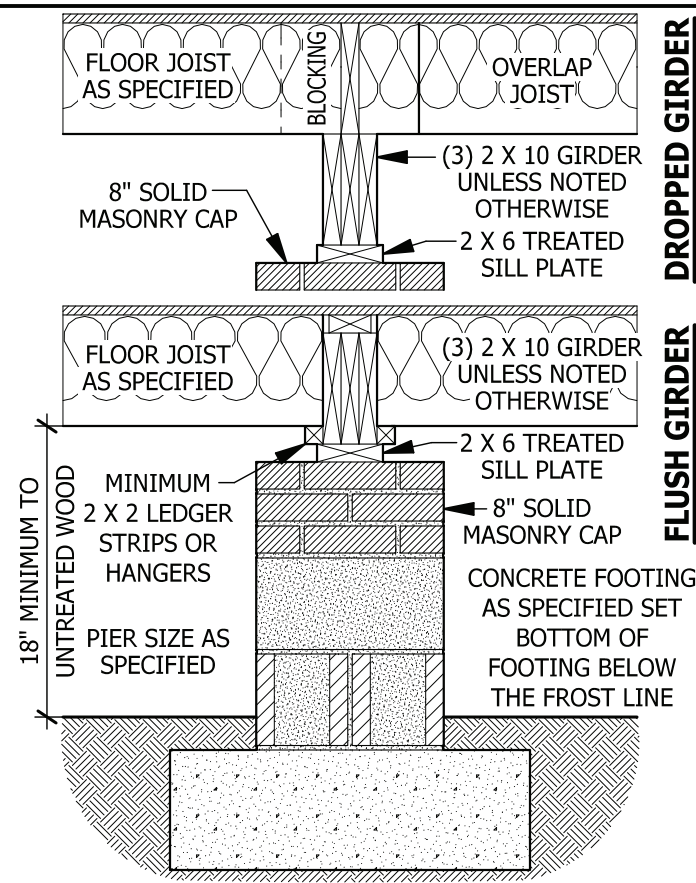
SQUARE FOOTAGE	
HEATED	
FIRST FLOOR	1351 SQ. FT.
PLAYROOM	221 SQ. FT.
TOTAL	1572 SQ. FT.
HEATED OPTIONAL	
HALF BATH	28 SQ. FT.
TOTAL	28 SQ. FT.
UNHEATED	
FRONT PORCH	134 SQ. FT.
GARAGE	447 SQ. FT.
REAR PORCH	113 SQ. FT.
TOTAL	694 SQ. FT.
UNHEATED OPTIONAL	
THIRD GARAGE	307 SQ. FT.
TOTAL	307 SQ. FT.



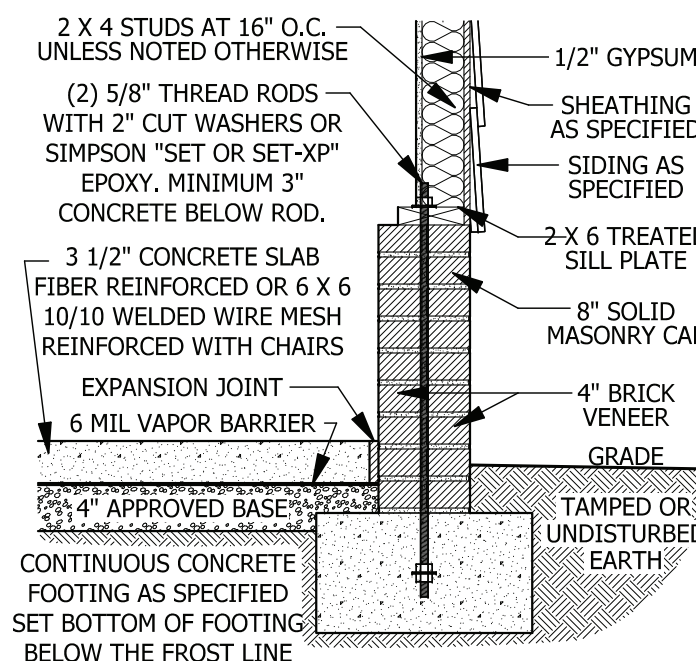
A CRAWL SPACE WALL
SCALE 3/4" = 1'-0"



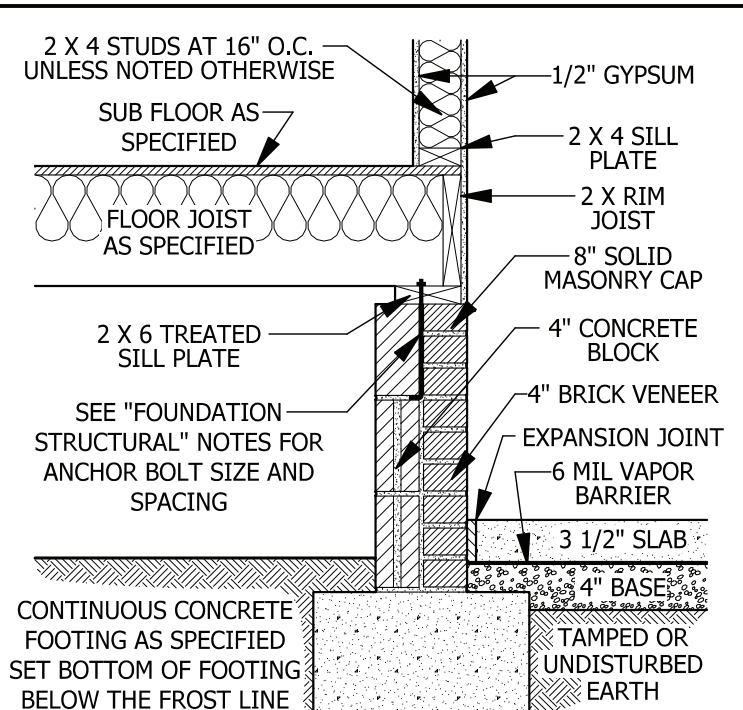
D GARAGE STEM WALL
SCALE 3/4" = 1'-0"



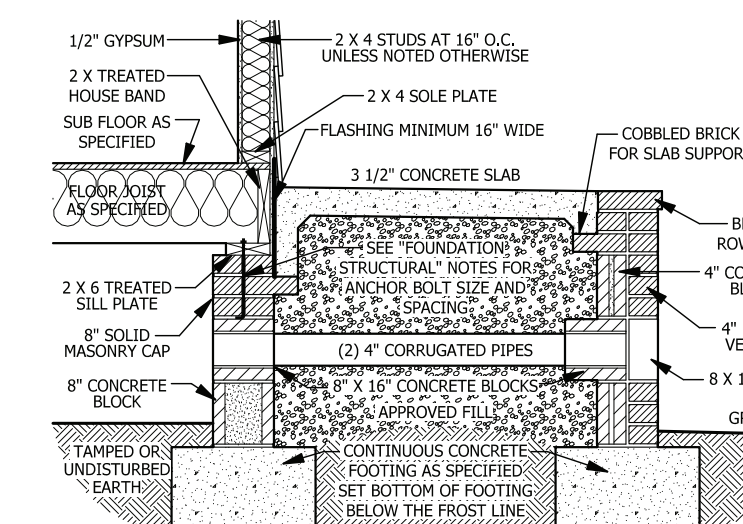
B DROPPED/ FLUSH PIER
SCALE 3/4" = 1'-0"



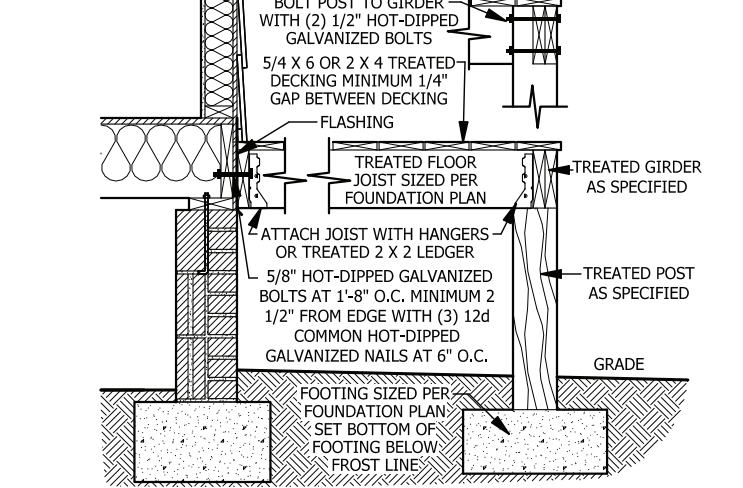
E <48\"/>



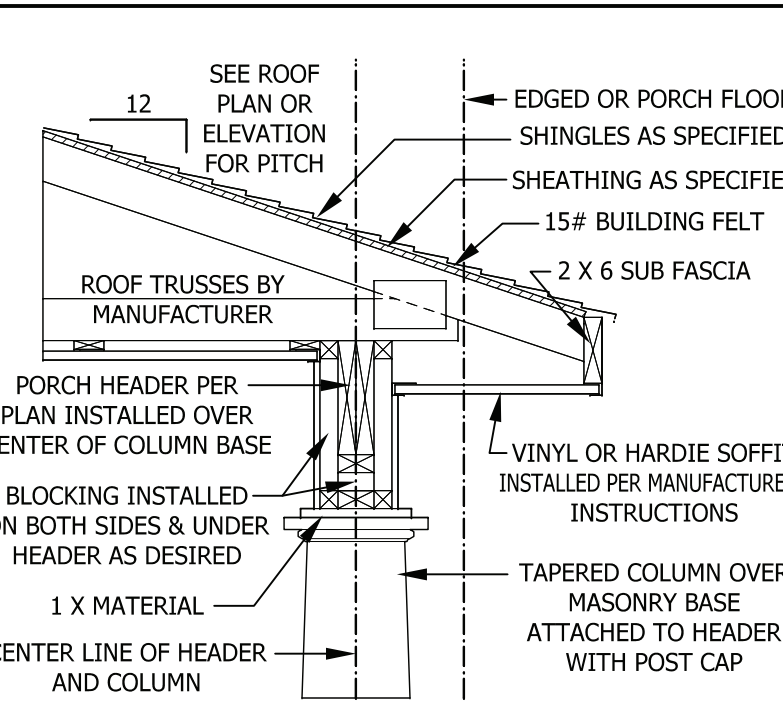
C CRAWL SPACE AT GARAGE
SCALE 3/4" = 1'-0"



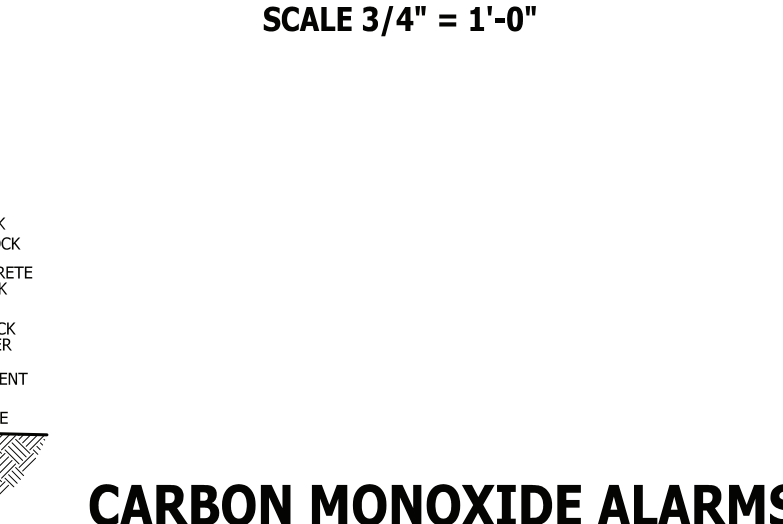
F FILLED PORCH SECTION WITH VENT
SCALE 1/2" = 1'-0"



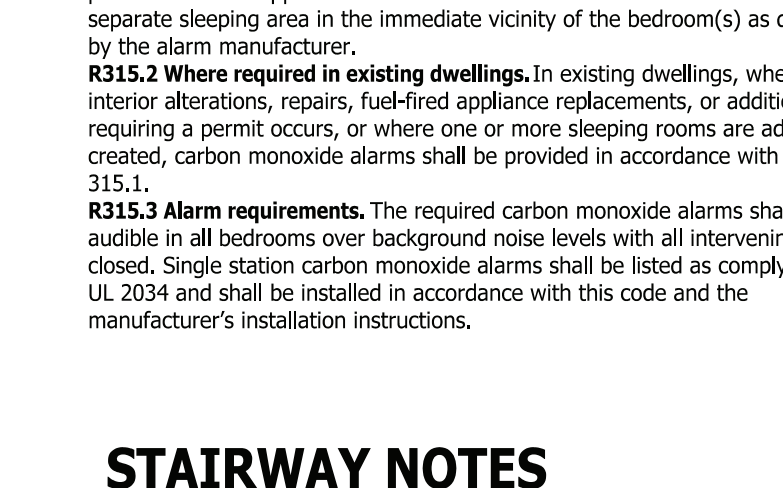
G DECK ATTACHMENT
SCALE 1/2" = 1'-0"



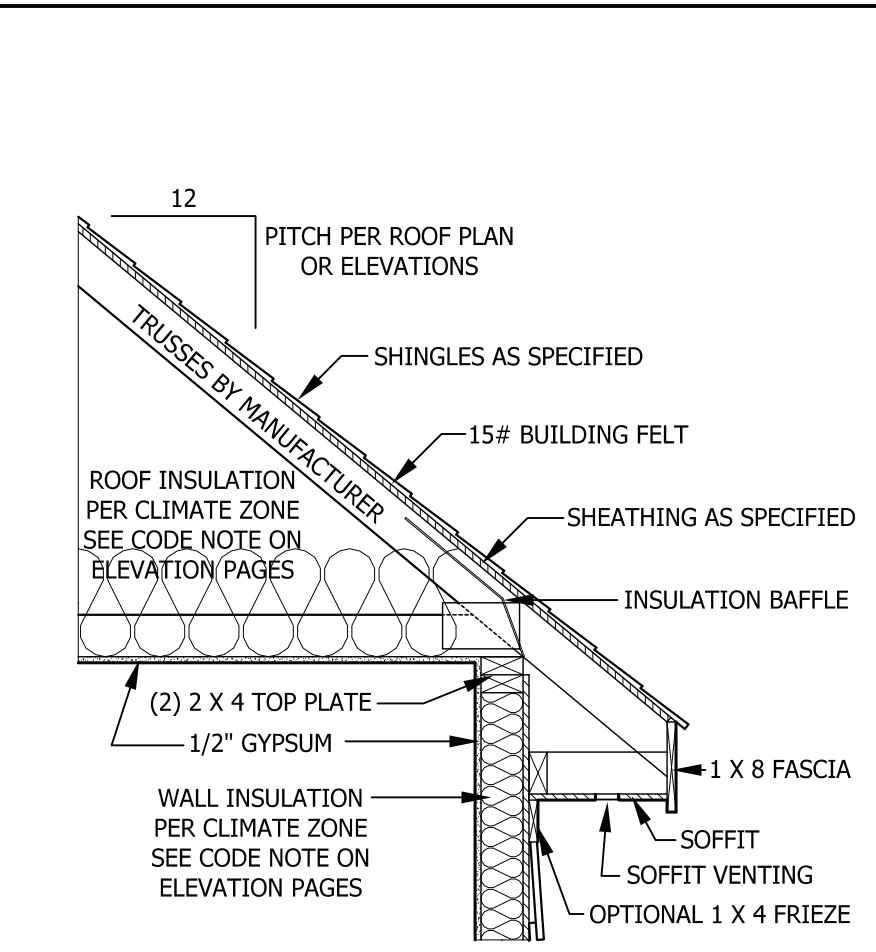
PORCH HEADER WITH TAPERED COLUMN
SCALE 3/4" = 1'-0"



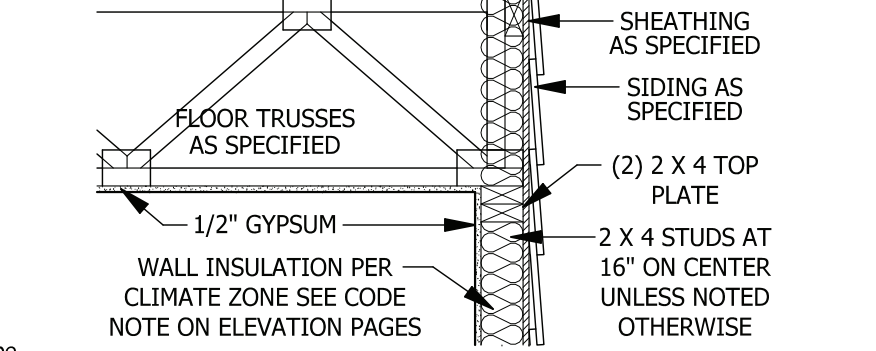
CARBON MONOXIDE ALARMS



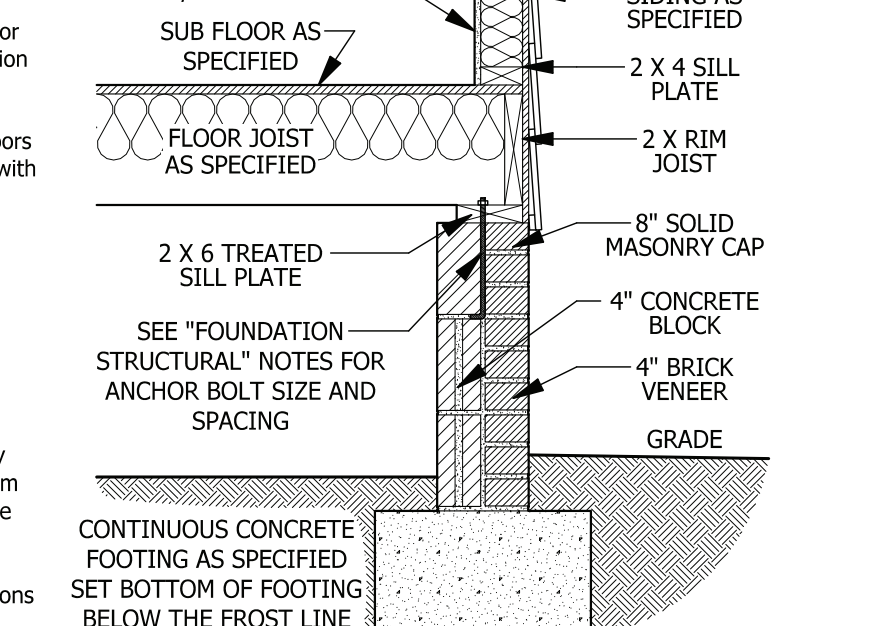
STAIRWAY NOTES



TYPICAL WALL DETAIL
SCALE 3/4" = 1'-0"



TYPICAL WALL DETAIL
SCALE 3/4" = 1'-0"



TYPICAL WALL DETAIL
SCALE 3/4" = 1'-0"

DECK STAIR NOTES

SECTION AM110
AM110.1 Stairs shall be constructed per Figure AM110. Stringer spans shall be no greater than 7 foot span between supports. Spacing between stringers shall be based upon decking material used per AM107.1. Each Stringer shall have minimum 3 1/2 inches between step cut and back of stringer. If used, suspended headers shall be attached with 3/8 inch galvanized bolts with nuts and washers to securely support stringers at the top.

DECK BRACING

SECTION AM109
AM109.1 Deck bracing. Decks shall be braced to provide lateral stability. The following are acceptable means to provide lateral stability.
AM109.1.1. When the deck floor height is less than 4'-0" above finished grade per Figure AM109 and the deck is attached to the structure in accordance with Section AM104, lateral bracing is not required.
AM109.1.2. 4 x 4 wood knee braces may be provided on each column in both directions. The knee braces shall attach to each post at a point not less than 1/3 of the post length from the top of the post, and the braces shall be angled between 45 degrees and 60 degrees from the horizontal. Knee braces shall be bolted to the post and the girder/double band with one 5/8 inch hot dipped galvanized bolt with nut and washer at both ends of the brace per Figure AM109.1
AM109.1.3. For freestanding decks without knee braces or diagonal bracing, lateral stability may be provided by embedding the post in accordance with Figure AM109.2 and the following:
AM109.1.4. 2 x 6 diagonal vertical cross bracing may be provided in two perpendicular directions for freestanding decks or parallel to the structure at the exterior column line for attached decks. The 2 x 6's shall be attached to the posts with one 5/8 inch hot dipped galvanized bolt with nut and washer at each end of each bracing member per Figure AM109.3.
AM109.1.5. For embedment of piles in Coastal Regions, see Chapter 45.

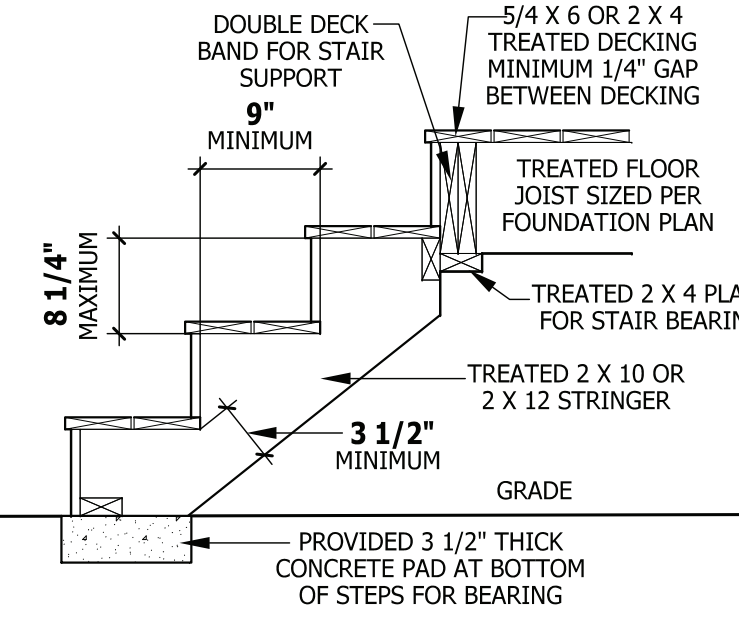
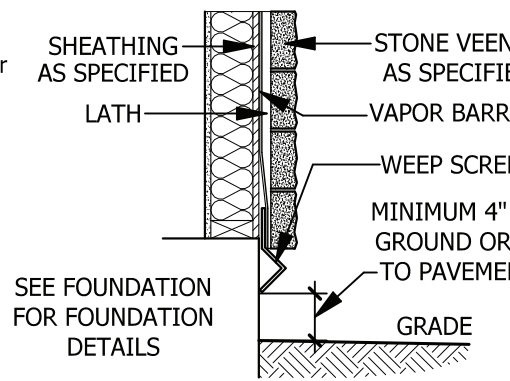


FIGURE AM110
TYPICAL DECK STAIR DETAIL
SCALE 3/4" = 1'-0"

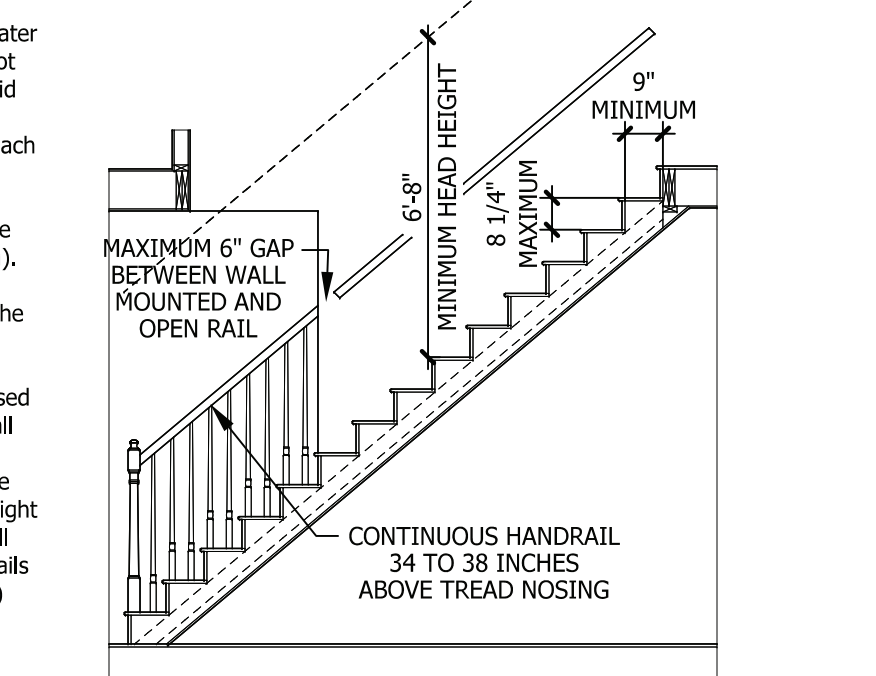
WEEP SCREDS

All weep screeds and stone veneer to be installed per manufactures instructions and per the 2012 North Carolina Residential Building code.
R703.6.2.1 - A minimum 0.019-inch (0.5 mm) (No. 26 galvanized steel gage), corrosion-resistant weep screed or plastic weep screed, with a minimum vertical attachment flange of 3/12 inches (89 mm) shall be provided at or below the foundation plate line on exterior stud walls in accordance with ASTM C 926. The weep screed shall be placed a minimum of 4 inches (102 mm) above the earth or 2 inches (51 mm) above paved areas and shall be of a type that will allow trapped water to drain to the exterior of the building. The weather-resistant barrier shall lap the attachment flange. The exterior lath shall cover and terminate on the attachment flange of the weep screed.



WEEP SCREED
SCALE 3/4" = 1'-0"

POST SIZE	MAX. TRIBUTARY AREA	MAX. POST HEIGHT	EMBEDMENT DEPTH	CONCRETE DIAMETER
4 X 4	48 SF	4'-0"	2'-6"	1'-0"
6 X 6	120 SF	6'-0"	3'-6"	1'-8"



TYPICAL STAIR DETAIL
SCALE 1/4" = 1'-0"

PURCHASER MUST VERIFY ALL DIMENSIONS AND CONDITIONS BEFORE CONSTRUCTION BEGINS. HAYNES HOME PLANS, INC. ASSUMES NO LIABILITY FOR CONTRACTORS PRACTICES AND PROCEDURES.
CODES AND CONDITIONS MAY VARY WITH LOCATION. A LOCAL DESIGNER, ARCHITECT OR ENGINEER SHOULD BE CONSULTED BEFORE CONSTRUCTION.
THESE DRAWING ARE INSTRUMENTS OF SERVICE AND AS SUCH SHALL REMAIN PROPERTY OF THE DESIGNER.

TYPICAL DETAILS
SINCLAIR

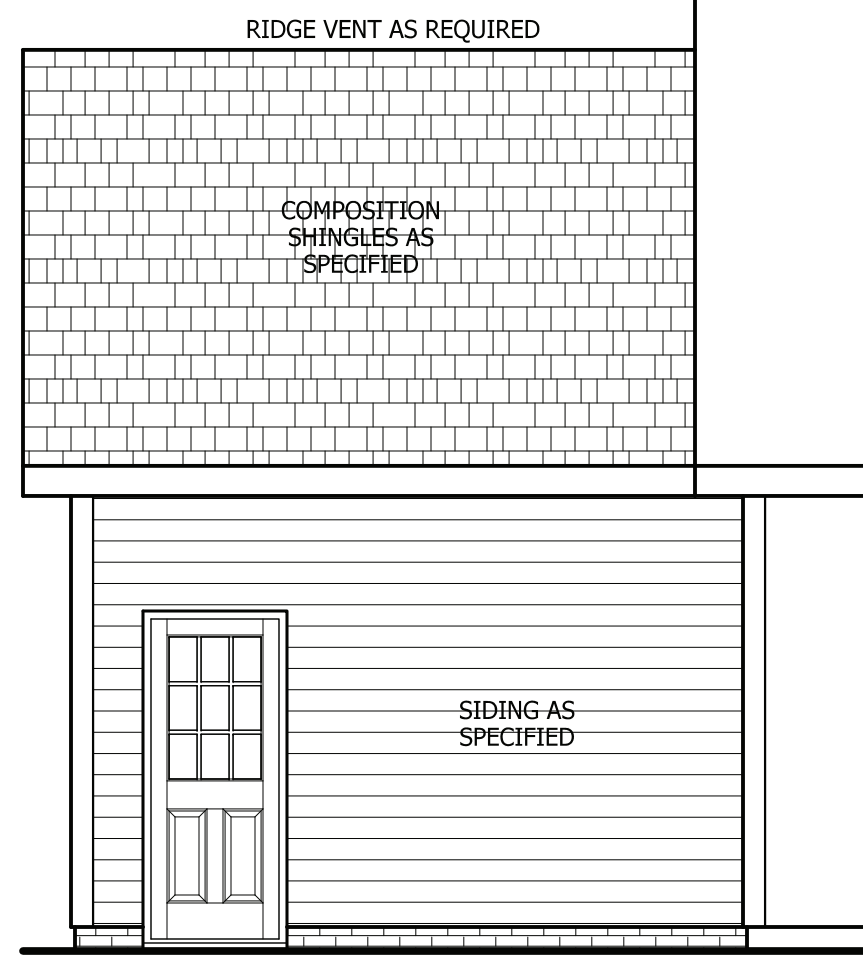
HAYNES WEAVER HOMES
910.630.2100 • 919.606.4696
360 Weagance Drive, Fayetteville, NC 28303

HAYNES HOME PLANS, INC.
P.O. Box 702, Wake Forest, NC 27588 919.485-6180 Fax 1-866-491-0396

SQUARE FOOTAGE

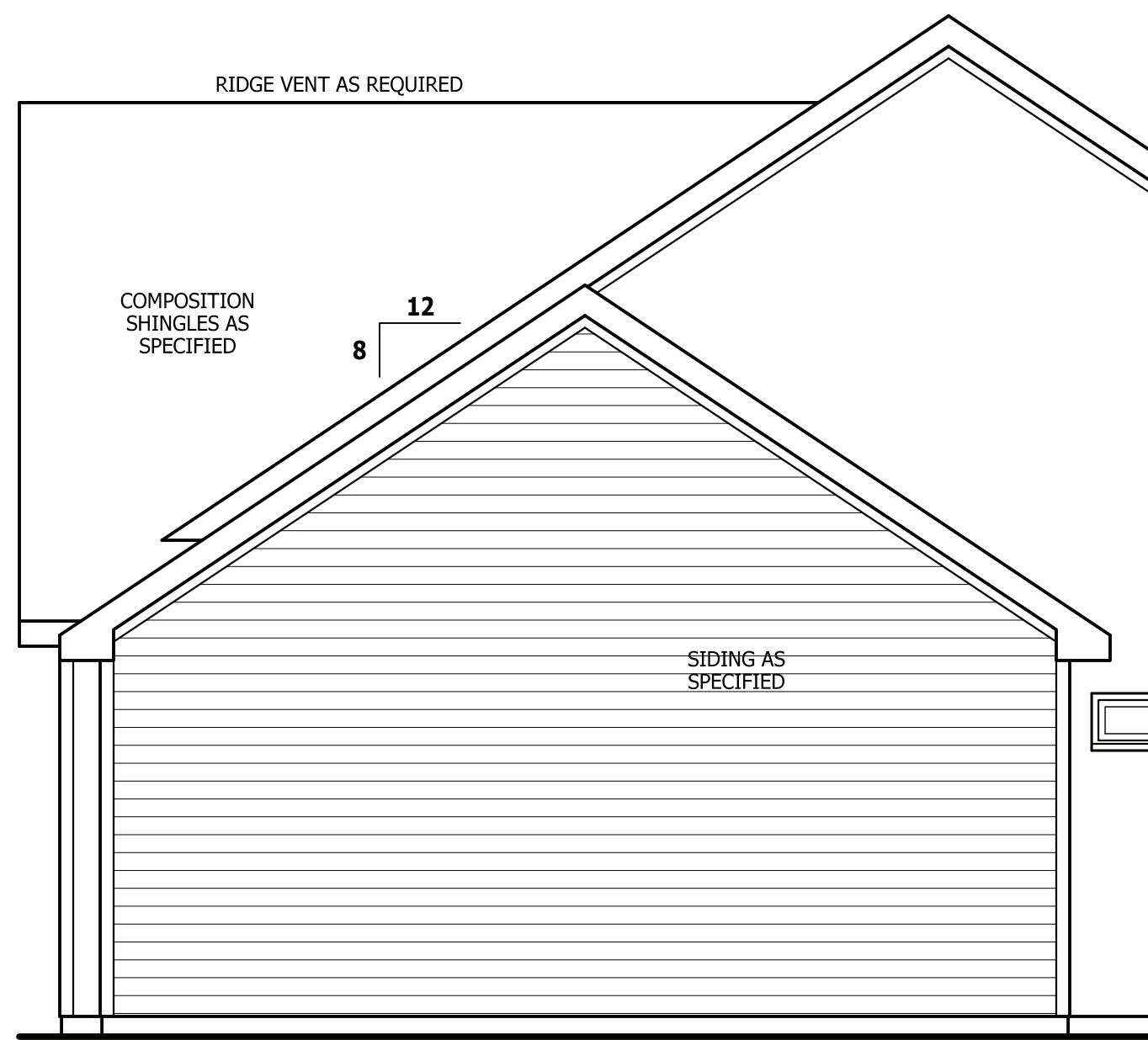
HEATED	UNHEATED
FIRST FLOOR	1351 SQ.FT.
LAUNDRY ROOM	221 SQ.FT.
TOTAL	1572 SQ.FT.
HEATED OPTIONAL	
HALF BATH	28 SQ.FT.
TOTAL	28 SQ.FT.
UNHEATED	
FRONT PORCH	134 SQ.FT.
GARAGE	447 SQ.FT.
REAR PORCH	113 SQ.FT.
TOTAL	694 SQ.FT.
UNHEATED OPTIONAL	
THIRD GARAGE	307 SQ.FT.
TOTAL	307 SQ.FT.

© Copyright 2019 Haynes Home Plans, Inc.
3/6/2020
190320B
PAGE 8 OF 8



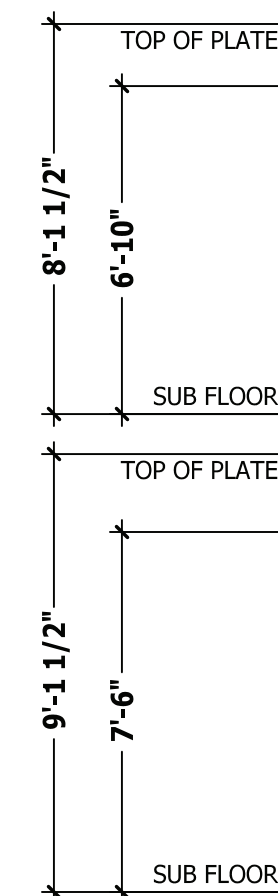
REAR ELEVATION

SCALE 1/4" = 1'-0"



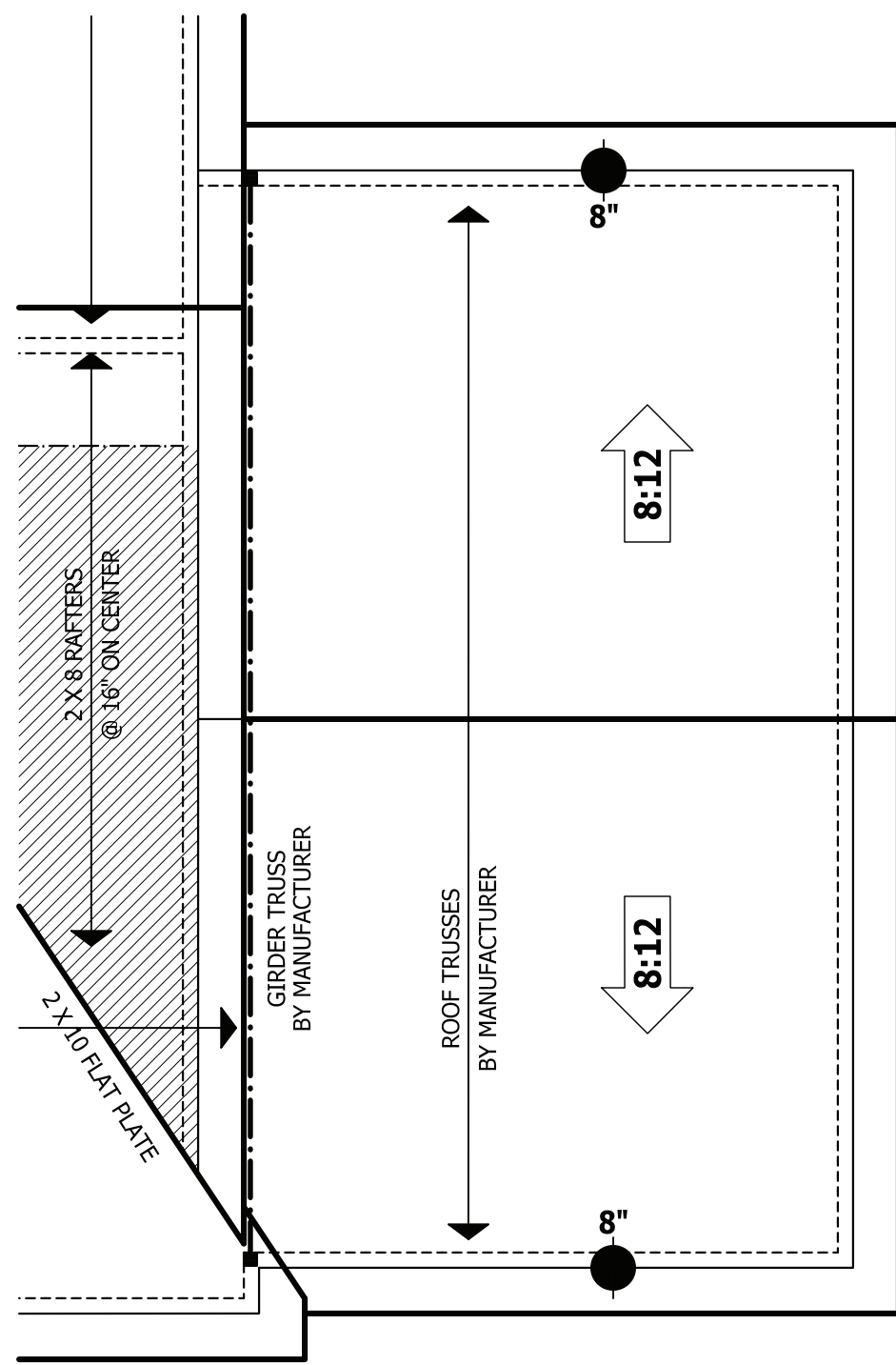
SIDE ELEVATION

SCALE 1/4" = 1'-0"



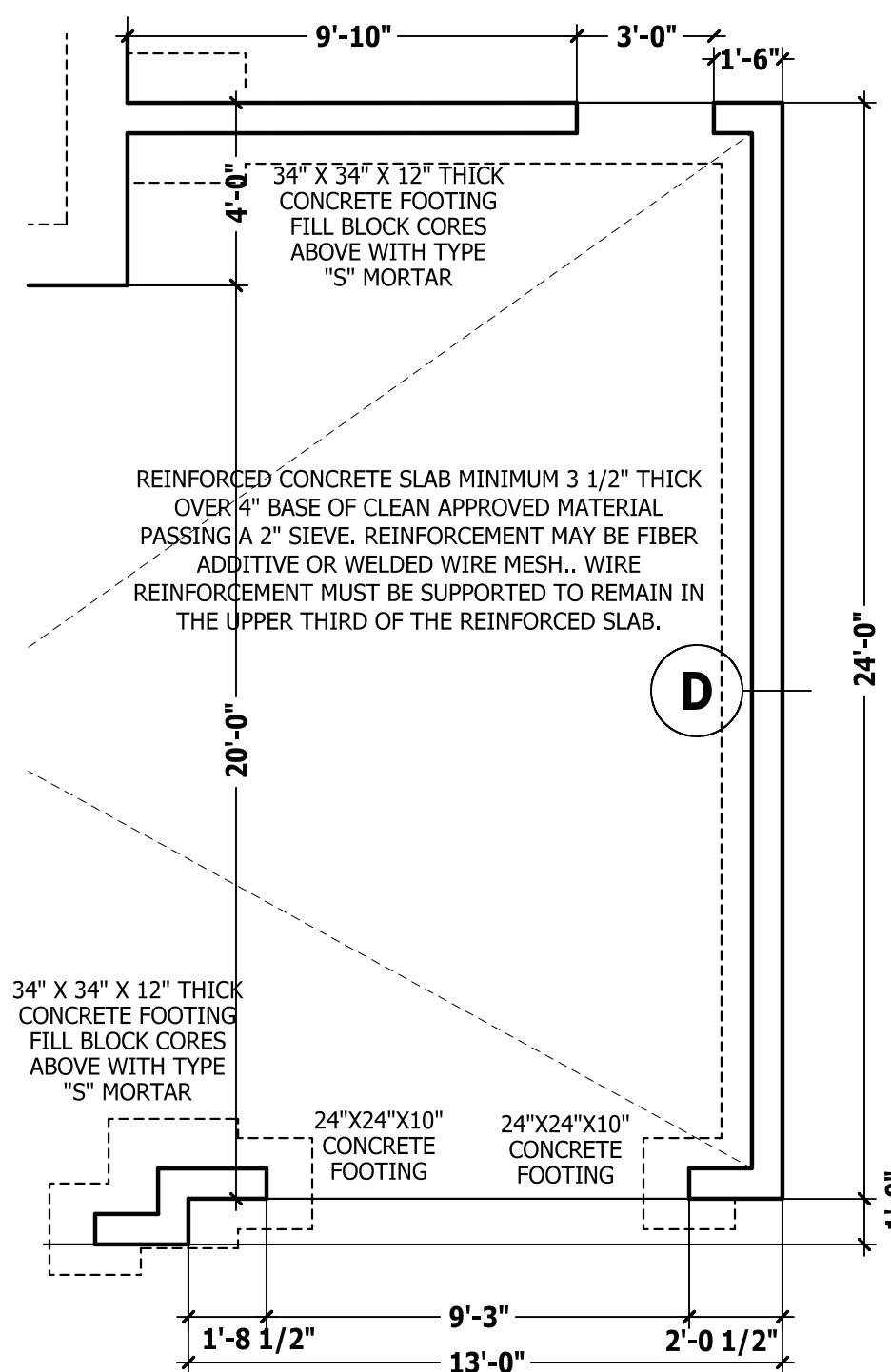
FRONT ELEVATION

SCALE 1/4" = 1'-0"



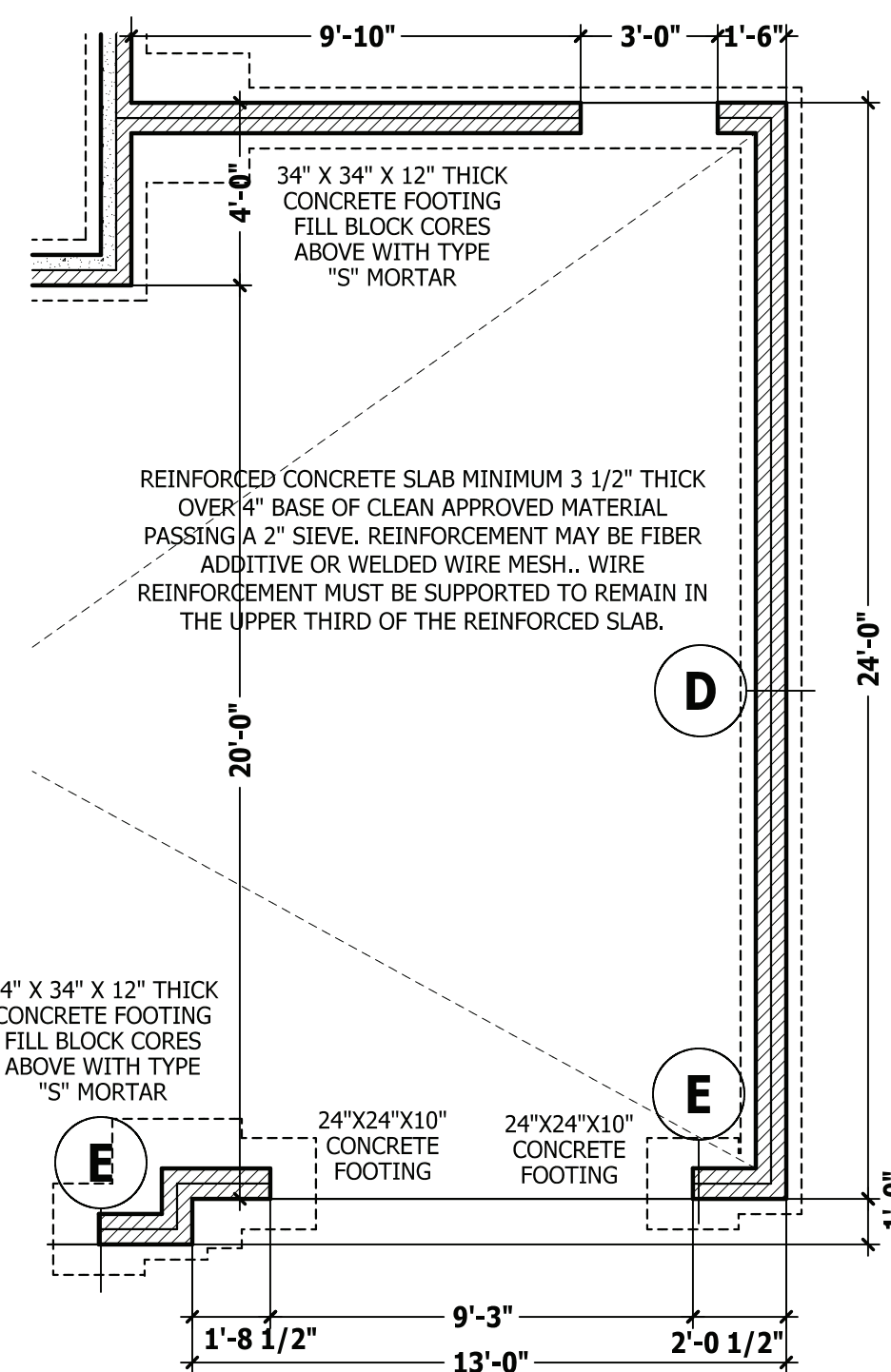
ROOF PLAN

SCALE 1/4" = 1'-0"



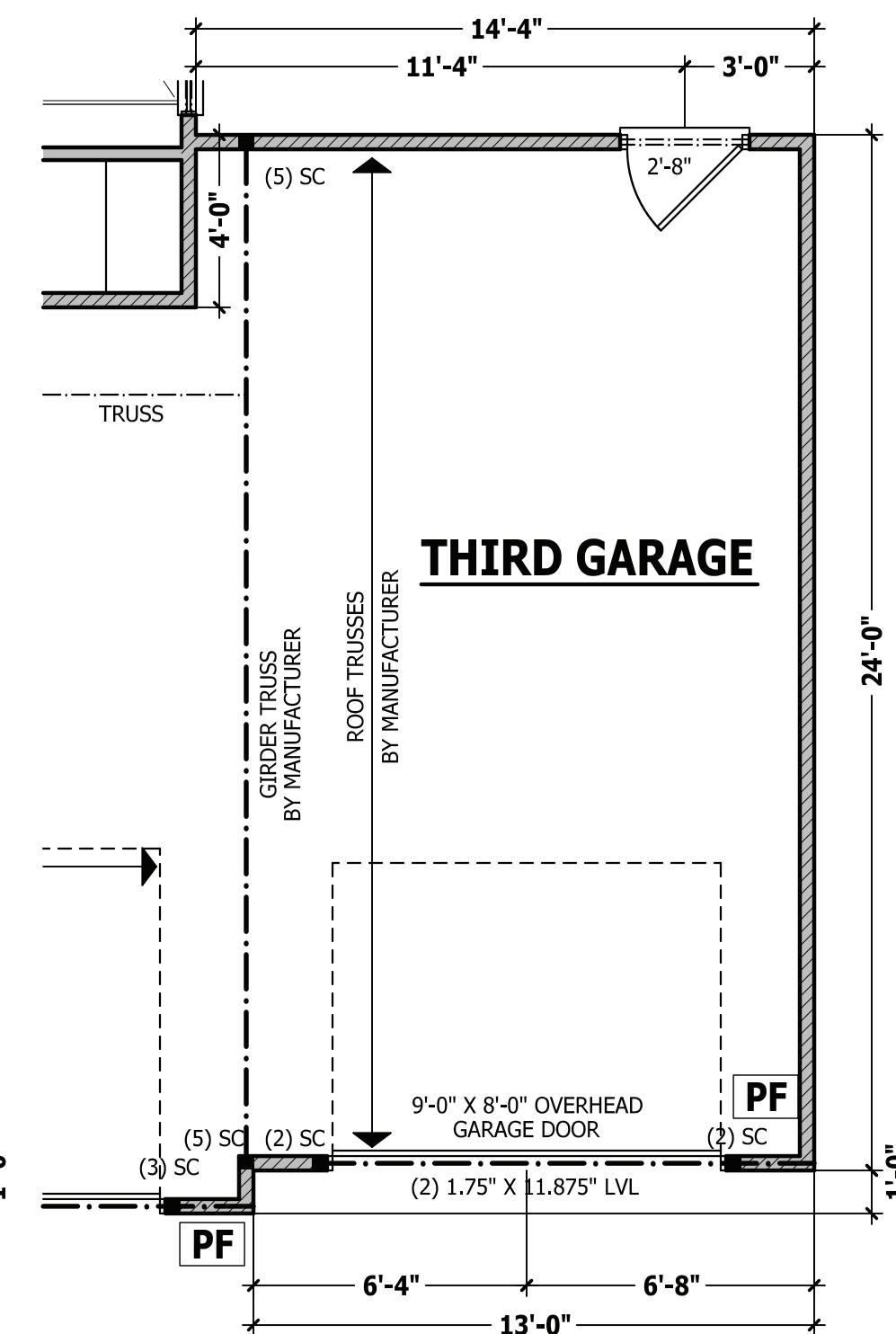
MONOLITHIC PLAN

SCALE 1/4" = 1'-0"



CRAWL / STEMWALL PLAN

SCALE 1/4" = 1'-0"



FIRST FLOOR PLAN

SCALE 1/4" = 1'-0"

PURCHASER MUST VERIFY ALL DIMENSIONS AND CONDITIONS BEFORE CONSTRUCTION BEGINS. HAYNES HOME PLANS, INC. ASSUMES NO LIABILITY FOR CONTRACTORS PRACTICES AND PROCEDURES. CODES AND CONDITIONS MAY VARY WITH LOCATION. A LOCAL DESIGNER, ARCHITECT OR ENGINEER SHOULD BE CONSULTED BEFORE CONSTRUCTION. THESE DRAWING ARE INSTRUMENTS OF SERVICE AND AS SUCH SHALL REMAIN PROPERTY OF THE DESIGNER.

THIRD CAR GARAGE
SINCLAIR

HAYNES WEAVER HOMES
HOME PLANS, INC.
P.O. Box 702, Wake Forest, NC 27888 919-485-6180 FAX 1-866-491-0396
350 Weigand Drive, Fayetteville, NC 28803
910.630.2100 • 919.606.4696

SQUARE FOOTAGE	
HEATED	
FIRST FLOOR	1351 SQ. FT.
PLAYROOM	221 SQ. FT.
TOTAL	1572 SQ. FT.
HEATED OPTIONAL	
HALF BATH	28 SQ. FT.
TOTAL	28 SQ. FT.
UNHEATED	
FRONT PORCH	134 SQ. FT.
GARAGE	447 SQ. FT.
REAR PORCH	113 SQ. FT.
TOTAL	694 SQ. FT.
UNHEATED OPTIONAL	
THIRD GARAGE	307 SQ. FT.
TOTAL	307 SQ. FT.

© Copyright 2019
Haynes Home Plans, Inc.
3/6/2020
190320B
ADDENDUM