

Trenco
818 Soundside Rd
Edenton, NC 27932

Re: J0722-3742
Lot 36 Liberty Meadows

The truss drawing(s) referenced below have been prepared by Truss Engineering Co. under my direct supervision based on the parameters provided by Comtech, Inc - Fayetteville.

Pages or sheets covered by this seal: I60141569 thru I60141599

My license renewal date for the state of North Carolina is December 31, 2023.

North Carolina COA: C-0844



August 15, 2023

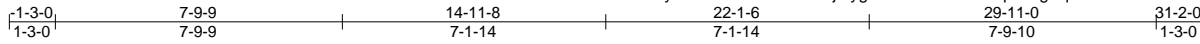
Gilbert, Eric

IMPORTANT NOTE: The seal on these truss component designs is a certification that the engineer named is licensed in the jurisdiction(s) identified and that the designs comply with ANSI/TPI 1. These designs are based upon parameters shown (e.g., loads, supports, dimensions, shapes and design codes), which were given to MiTek or TRENCO. Any project specific information included is for MiTek's or TRENCO's customers file reference purpose only, and was not taken into account in the preparation of these designs. MiTek or TRENCO has not independently verified the applicability of the design parameters or the designs for any particular building. Before use, the building designer should verify applicability of design parameters and properly incorporate these designs into the overall building design per ANSI/TPI 1, Chapter 2.

Job J0722-3742	Truss A1	Truss Type COMMON	Qty 3	Ply 1	Lot 36 Liberty Meadows Job Reference (optional)	160141569
-------------------	-------------	----------------------	----------	----------	--	-----------

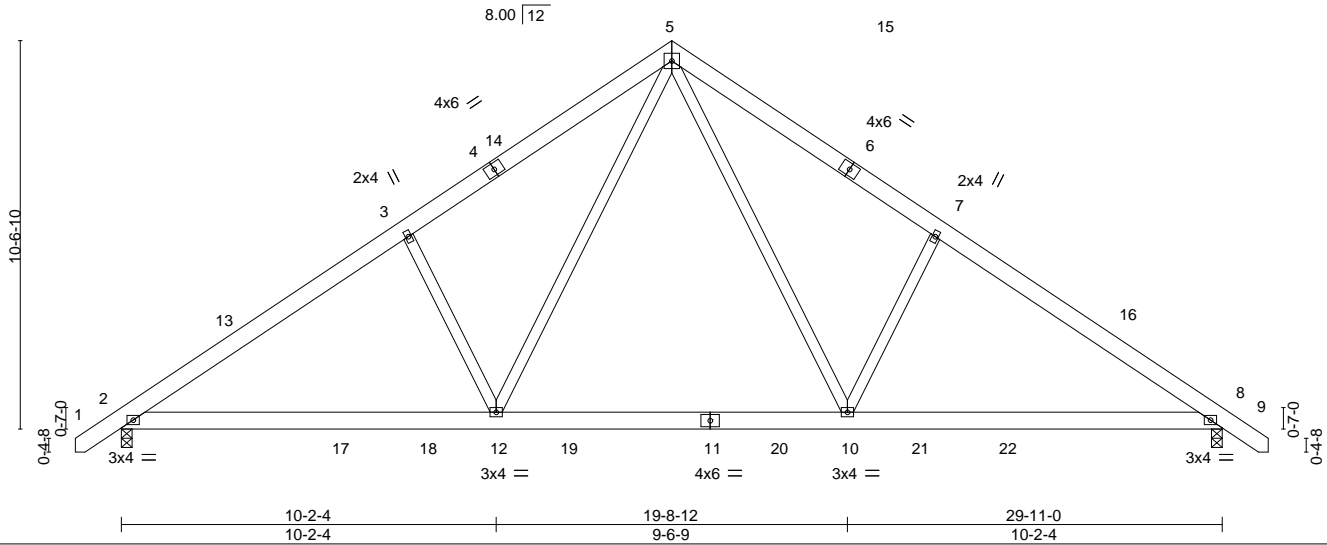
Comtech, Inc. Fayetteville, NC - 28314,

8.430 s Jan 6 2022 MiTek Industries, Inc. Mon Aug 14 13:17:27 2023 Page 1
ID:r?yi3DAbxRr?CsKd7DtDjMygInZ-RfC?PsB70Hq3NSgPqnL8w3ulTXbGKWrCDoi7J4zJC?f



5x5 =

Scale = 1:62.6



LOADING (psf)	SPACING-	2-0-0	CSI.	DEFL.	in (loc)	l/defl	L/d	PLATES	GRIP
TCLL 20.0	Plate Grip DOL	1.15	TC 0.24	Vert(LL)	-0.12 10-12	>999	360	MT20	244/190
TCDL 10.0	Lumber DOL	1.15	BC 0.45	Vert(CT)	-0.17 10-12	>999	240		
BCLL 0.0 *	Rep Stress Incr	YES	WB 0.35	Horz(CT)	0.04 8	n/a	n/a		
BCDL 10.0	Code IRC2015/TPI2014		Matrix-S	Wind(LL)	0.03 2-12	>999	240	Weight: 210 lb	FT = 20%

LUMBER-
 TOP CHORD 2x6 SP No.1
 BOT CHORD 2x6 SP No.1
 WEBS 2x4 SP No.2

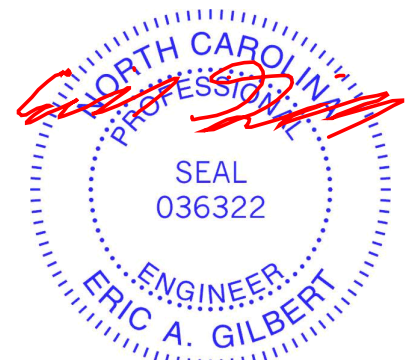
BRACING-
 TOP CHORD Structural wood sheathing directly applied or 5-5-5 oc purlins.
 BOT CHORD Rigid ceiling directly applied or 10-0-0 oc bracing.

REACTIONS. (size) 2=0-3-8, 8=0-3-8
 Max Horz 2=-257(LC 10)
 Max Uplift 2=-80(LC 12), 8=-80(LC 13)
 Max Grav 2=1409(LC 19), 8=1409(LC 20)

FORCES. (lb) - Max. Comp./Max. Ten. - All forces 250 (lb) or less except when shown.
 TOP CHORD 2-3=-1925/353, 3-5=-1799/443, 5-7=-1799/443, 7-8=-1926/353
 BOT CHORD 2-12=-140/1694, 10-12=0/1103, 8-10=-152/1525
 WEBS 5-10=-163/931, 7-10=-503/295, 5-12=-163/931, 3-12=-503/295

NOTES-

- 1) Unbalanced roof live loads have been considered for this design.
- 2) Wind: ASCE 7-10; Vult=130mph Vasd=103mph; TCDL=6.0psf; BCDL=6.0psf; h=15ft; Cat. II; Exp C; Enclosed; MWFRS (envelope) and C-C Exterior(2) -1-1-7 to 3-3-6, Interior(1) 3-3-6 to 14-11-8, Exterior(2) 14-11-8 to 19-4-5, Interior(1) 19-4-5 to 31-0-7 zone; C-C for members and forces & MWFRS for reactions shown; Lumber DOL=1.60 plate grip DOL=1.60
- 3) This truss has been designed for a 10.0 psf bottom chord live load nonconcurrent with any other live loads.
- 4) * This truss has been designed for a live load of 30.0psf on the bottom chord in all areas where a rectangle 3-6-0 tall by 2-0-0 wide will fit between the bottom chord and any other members, with BCDL = 10.0psf.
- 5) Provide mechanical connection (by others) of truss to bearing plate capable of withstanding 80 lb uplift at joint 2 and 80 lb uplift at joint 8.



August 15, 2023

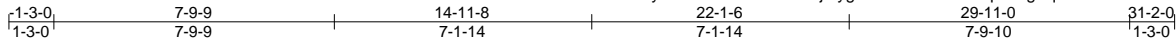
<p>WARNING - Verify design parameters and READ NOTES ON THIS AND INCLUDED MITEK REFERENCE PAGE MII-7473 rev. 1/2/2023 BEFORE USE. Design valid for use only with MiTek® connectors. This design is based only upon parameters shown, and is for an individual building component, not a truss system. Before use, the building designer must verify the applicability of design parameters and properly incorporate this design into the overall building design. Bracing indicated is to prevent buckling of individual truss web and/or chord members only. Additional temporary and permanent bracing is always required for stability and to prevent collapse with possible personal injury and property damage. For general guidance regarding the fabrication, storage, delivery, erection and bracing of trusses and truss systems, see ANSI/TPH Quality Criteria and DSB-22 available from Truss Plate Institute (www.tpinst.org) and BCSI Building Component Safety Information available from the Structural Building Component Association (www.sbcacomponents.com)</p>	 818 Soundside Road Edenton, NC 27932
--	---

Job J0722-3742	Truss A1GE	Truss Type GABLE	Qty 1	Ply 1	Lot 36 Liberty Meadows Job Reference (optional)	160141570
-------------------	---------------	---------------------	----------	----------	--	-----------

Comtech, Inc. Fayetteville, NC - 28314,

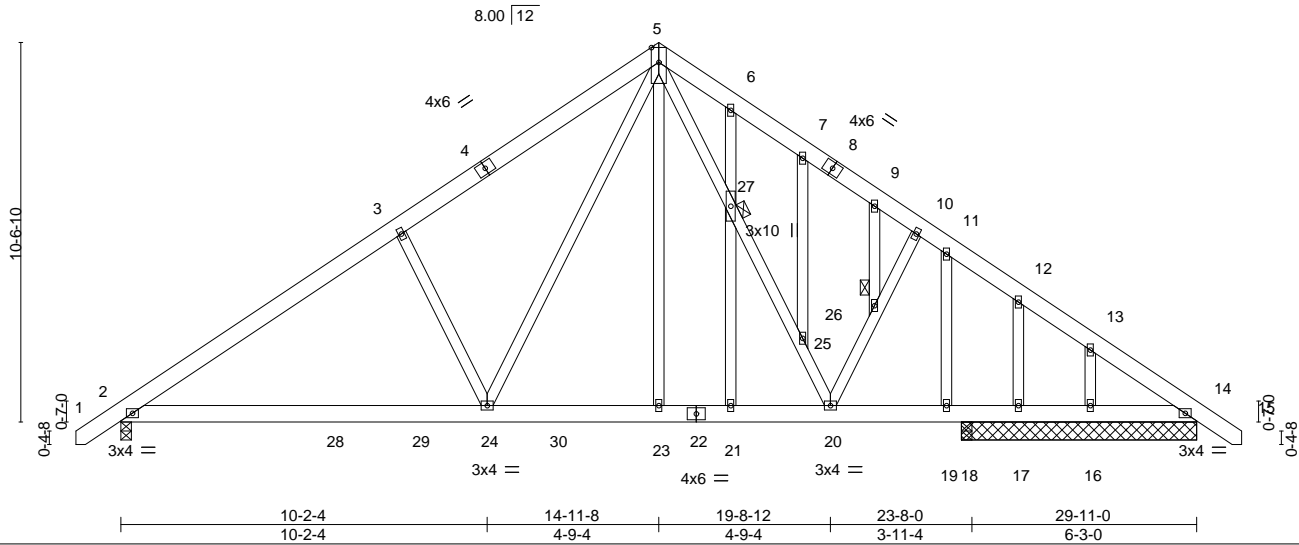
8.430 s Jan 6 2022 MiTek Industries, Inc. Mon Aug 14 13:17:29 2023 Page 1

ID:r?yi3DAbxRr?CsKd7DtDjMygInZ-RfC?PsB70Hq3NSgPqnL8w3ulTXbGKWrCDoi7J4zJC?f



5x12 ||

Scale: 3/16"=1'



LOADING (psf)	SPACING-	2-0-0	CSI.	DEFL.	in (loc)	l/defl	L/d	PLATES	GRIP
TCLL 20.0	Plate Grip DOL	1.15	TC 0.24	Vert(LL)	-0.07 2-24	>999	360	MT20	244/190
TCDL 10.0	Lumber DOL	1.15	BC 0.36	Vert(CT)	-0.16 2-24	>999	240		
BCLL 0.0 *	Rep Stress Incr	YES	WB 0.57	Horz(CT)	0.02 14	n/a	n/a		
BCDL 10.0	Code IRC2015/TPI2014		Matrix-S	Wind(LL)	0.04 2-24	>999	240	Weight: 261 lb	FT = 20%

LUMBER-
 TOP CHORD 2x6 SP No.1
 BOT CHORD 2x6 SP No.1
 WEBS 2x4 SP No.2
 OTHERS 2x4 SP No.2

BRACING-
 TOP CHORD Structural wood sheathing directly applied or 6-0-0 oc purlins.
 BOT CHORD Rigid ceiling directly applied or 10-0-0 oc bracing.
 JOINTS 1 Brace at Jt(s): 26, 27

REACTIONS. All bearings 6-6-8 except (jt=length) 2=0-3-8, 18=0-3-8.
 (lb) - Max Horz 2=321(LC 10)
 Max Uplift All uplift 100 lb or less at joint(s) 14 except 2=235(LC 12), 17=378(LC 19), 16=127(LC 13), 18=168(LC 12)
 Max Grav All reactions 250 lb or less at joint(s) 17 except 2=1149(LC 19), 14=479(LC 1), 16=279(LC 20), 18=1067(LC 19)

FORCES. (lb) - Max. Comp./Max. Ten. - All forces 250 (lb) or less except when shown.
 TOP CHORD 2-3=-1436/374, 3-5=-1314/476, 5-6=-862/435, 6-7=-839/377, 7-9=-784/324, 9-10=-756/287, 10-11=-833/288, 11-12=-488/165, 12-13=-573/121, 13-14=-617/43
 BOT CHORD 2-24=-290/1336, 23-24=-8/768, 21-23=-8/768, 20-21=-8/768, 19-20=0/492, 18-19=0/492, 17-18=0/492, 16-17=0/492, 14-16=0/492
 WEBS 20-25=-282/98, 20-26=-12/409, 10-26=-32/449, 5-24=-267/849, 3-24=-512/388, 11-19=-714/216

- NOTES-**
- 1) Unbalanced roof live loads have been considered for this design.
 - 2) Wind: ASCE 7-10; Vult=130mph Vasd=103mph; TCCL=6.0psf; BCDL=6.0psf; h=15ft; Cat. II; Exp C; Enclosed; MWFRS (envelope) gable end zone and C-C Exterior(2) zone; C-C for members and forces & MWFRS for reactions shown; Lumber DOL=1.60 plate grip DOL=1.60
 - 3) Truss designed for wind loads in the plane of the truss only. For studs exposed to wind (normal to the face), see Standard Industry Gable End Details as applicable, or consult qualified building designer as per ANSI/TPI 1.
 - 4) All plates are 2x4 MT20 unless otherwise indicated.
 - 5) Gable studs spaced at 2-0-0 oc.
 - 6) This truss has been designed for a 10.0 psf bottom chord live load nonconcurrent with any other live loads.
 - 7) * This truss has been designed for a live load of 30.0psf on the bottom chord in all areas where a rectangle 3-6-0 tall by 2-0-0 wide will fit between the bottom chord and any other members, with BCDL = 10.0psf.
 - 8) Provide mechanical connection (by others) of truss to bearing plate capable of withstanding 100 lb uplift at joint(s) 14 except (jt=lb) 2=235, 17=378, 16=127, 18=168.



August 15, 2023

WARNING - Verify design parameters and READ NOTES ON THIS AND INCLUDED MITEK REFERENCE PAGE MII-7473 rev. 1/2/2023 BEFORE USE.

Design valid for use only with MiTek® connectors. This design is based only upon parameters shown, and is for an individual building component, not a truss system. Before use, the building designer must verify the applicability of design parameters and properly incorporate this design into the overall building design. Bracing indicated is to prevent buckling of individual truss web and/or chord members only. Additional temporary and permanent bracing is always required for stability and to prevent collapse with possible personal injury and property damage. For general guidance regarding the fabrication, storage, delivery, erection and bracing of trusses and truss systems, see **ANSI/TPI Quality Criteria and DSB-22** available from Truss Plate Institute (www.tpinst.org) and **BCSI Building Component Safety Information** available from the Structural Building Component Association (www.sbcacomponents.com)

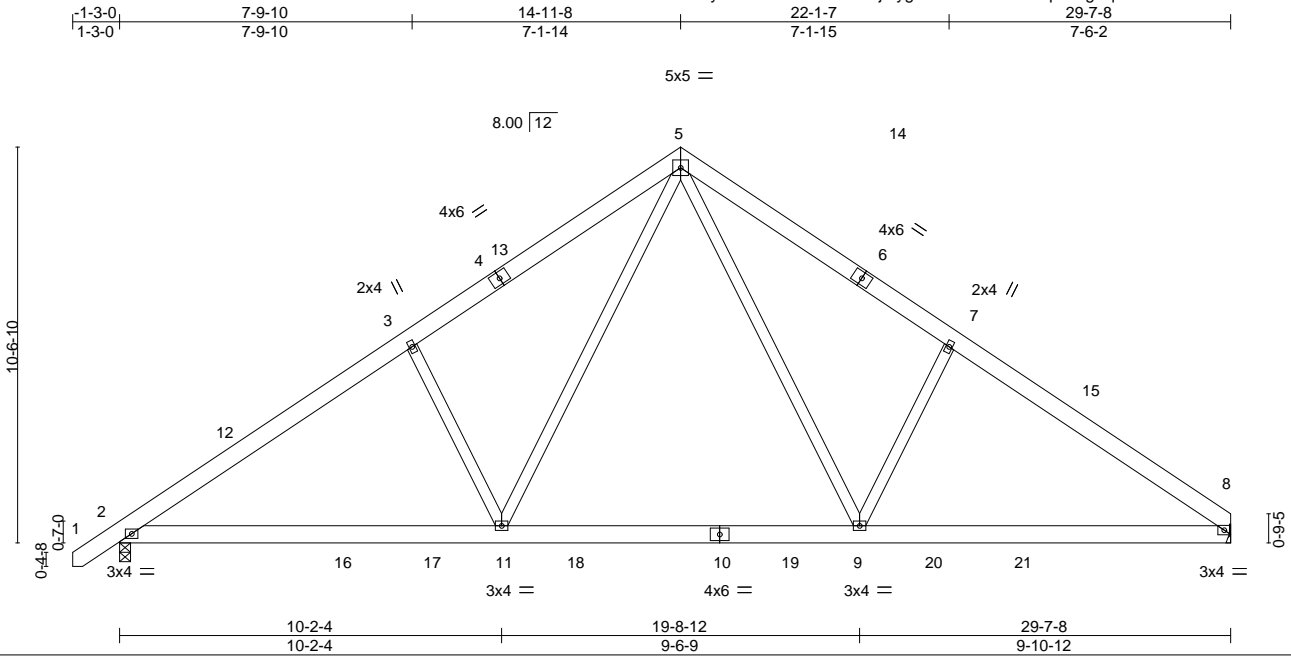


818 Soundside Road
 Edenton, NC 27932

Job J0722-3742	Truss A2	Truss Type COMMON	Qty 4	Ply 1	Lot 36 Liberty Meadows I60141571
-------------------	-------------	----------------------	----------	----------	-------------------------------------

Comtech, Inc. Fayetteville, NC - 28314,

8.430 s Jan 6 2022 MiTek Industries, Inc. Mon Aug 14 13:17:30 2023 Page 1
ID:r?yi3DAbxRr?CsKd7DtDjMygInZ-RfC?PsB70Hq3NSgPqnL8w3ulTXbGKWrCDoi7J4zJC?f



Scale = 1:61.4

LOADING (psf)	SPACING-	2-0-0	CSI.	DEFL.	in (loc)	l/defl	L/d	PLATES	GRIP
TCLL 20.0	Plate Grip DOL	1.15	TC 0.24	Vert(LL)	-0.12 9-11	>999	360	MT20	244/190
TCDL 10.0	Lumber DOL	1.15	BC 0.45	Vert(CT)	-0.17 9-11	>999	240		
BCLL 0.0 *	Rep Stress Incr	YES	WB 0.35	Horz(CT)	0.03 8	n/a	n/a		
BCDL 10.0	Code IRC2015/TPI2014		Matrix-S	Wind(LL)	0.03 2-11	>999	240		
								Weight: 205 lb	FT = 20%

LUMBER-
TOP CHORD 2x6 SP No.1
BOT CHORD 2x6 SP No.1
WEBS 2x4 SP No.2

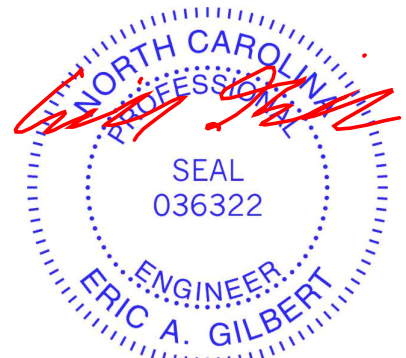
BRACING-
TOP CHORD Structural wood sheathing directly applied or 5-5-9 oc purlins.
BOT CHORD Rigid ceiling directly applied or 10-0-0 oc bracing.

REACTIONS. (size) 2=0-3-8, 8=Mechanical
Max Horz 2=252(LC 11)
Max Uplift 2=-80(LC 12), 8=-61(LC 13)
Max Grav 2=1401(LC 19), 8=1329(LC 20)

FORCES. (lb) - Max. Comp./Max. Ten. - All forces 250 (lb) or less except when shown.
TOP CHORD 2-3=-1911/352, 3-5=-1785/442, 5-7=-1771/456, 7-8=-1897/362
BOT CHORD 2-11=-174/1674, 9-11=0/1083, 8-9=-173/1483
WEBS 5-9=-162/904, 7-9=-478/294, 5-11=-163/932, 3-11=-503/295

NOTES-

- 1) Unbalanced roof live loads have been considered for this design.
- 2) Wind: ASCE 7-10; Vult=130mph Vasd=103mph; TC DL=6.0psf; BC DL=6.0psf; h=15ft; Cat. II; Exp C; Enclosed; MWFRS (envelope) and C-C Exterior(2) -1-1-7 to 3-3-6, Interior(1) 3-3-6 to 14-11-8, Exterior(2) 14-11-8 to 19-4-5, Interior(1) 19-4-5 to 29-6-12 zone; C-C for members and forces & MWFRS for reactions shown; Lumber DOL=1.60 plate grip DOL=1.60
- 3) This truss has been designed for a 10.0 psf bottom chord live load nonconcurrent with any other live loads.
- 4) * This truss has been designed for a live load of 30.0psf on the bottom chord in all areas where a rectangle 3-6-0 tall by 2-0-0 wide will fit between the bottom chord and any other members, with BC DL = 10.0psf.
- 5) Refer to girder(s) for truss to truss connections.
- 6) Provide mechanical connection (by others) of truss to bearing plate capable of withstanding 100 lb uplift at joint(s) 2, 8.



August 15, 2023

WARNING - Verify design parameters and READ NOTES ON THIS AND INCLUDED MITEK REFERENCE PAGE MII-7473 rev. 1/2/2023 BEFORE USE.

Design valid for use only with MiTek® connectors. This design is based only upon parameters shown, and is for an individual building component, not a truss system. Before use, the building designer must verify the applicability of design parameters and properly incorporate this design into the overall building design. Bracing indicated is to prevent buckling of individual truss web and/or chord members only. Additional temporary and permanent bracing is always required for stability and to prevent collapse with possible personal injury and property damage. For general guidance regarding the fabrication, storage, delivery, erection and bracing of trusses and truss systems, see **ANSI/TPH Quality Criteria and DSB-22** available from Truss Plate Institute (www.tpinst.org) and **BCSI Building Component Safety Information** available from the Structural Building Component Association (www.sbcacomponents.com)

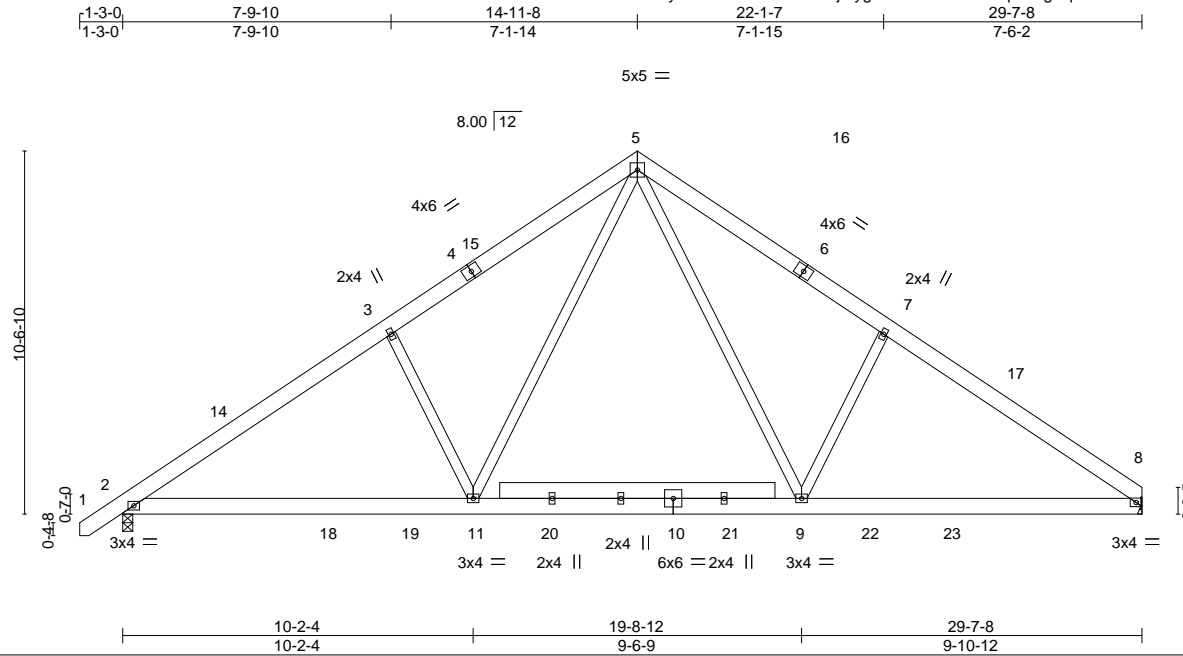


818 Soundside Road
Edenton, NC 27932

Job J0722-3742	Truss A2A	Truss Type COMMON	Qty 6	Ply 1	Lot 36 Liberty Meadows 160141572
-------------------	--------------	----------------------	----------	----------	-------------------------------------

Comtech, Inc. Fayetteville, NC - 28314,

8.430 s Jan 6 2022 MiTek Industries, Inc. Mon Aug 14 13:17:31 2023 Page 1
ID:r?yi3DAbxRr?CsKd7DtDjMygInZ-RfC?PsB70Hq3NSgPqnL8w3ulTXbGKWrCDoi7J4zJC?f



Scale = 1:67.0

LOADING (psf)	SPACING-	2-0-0	CSI.	DEFL.	in (loc)	l/defl	L/d	PLATES	GRIP
TCLL 20.0	Plate Grip DOL	1.15	TC 0.24	Vert(LL)	-0.11 9-11	>999	360	MT20	244/190
BCDL 10.0	Lumber DOL	1.15	BC 0.44	Vert(CT)	-0.16 9-11	>999	240		
BCLL 0.0 *	Rep Stress Incr	YES	WB 0.35	Horz(CT)	0.03 8	n/a	n/a		
BCDL 10.0	Code IRC2015/TPI2014		Matrix-S	Wind(LL)	0.03 2-11	>999	240		
								Weight: 223 lb	FT = 20%

LUMBER-
TOP CHORD 2x6 SP No.1
BOT CHORD 2x6 SP No.1
WEBS 2x4 SP No.2 *Except*
12-13: 2x6 SP No.1

BRACING-
TOP CHORD Structural wood sheathing directly applied or 5-5-14 oc purlins.
BOT CHORD Rigid ceiling directly applied or 10-0-0 oc bracing.

REACTIONS. (size) 2=0-3-8, 8=Mechanical
Max Horz 2=252(LC 11)
Max Uplift 2=-80(LC 12), 8=-61(LC 13)
Max Grav 2=1391(LC 19), 8=1319(LC 20)

FORCES. (lb) - Max. Comp./Max. Ten. - All forces 250 (lb) or less except when shown.
TOP CHORD 2-3=-1892/352, 3-5=-1765/442, 5-7=-1752/456, 7-8=-1877/362
BOT CHORD 2-11=-174/1658, 9-11=0/1072, 8-9=-173/1467
WEBS 5-9=-162/893, 7-9=-478/294, 5-11=-163/920, 3-11=-503/295

- NOTES-**
- 1) Unbalanced roof live loads have been considered for this design.
 - 2) Wind: ASCE 7-10; Vult=130mph Vasd=103mph; TC DL=6.0psf; BCDL=6.0psf; h=15ft; Cat. II; Exp C; Enclosed; MWFRS (envelope) and C-C Exterior(2) -1-1-7 to 3-3-6, Interior(1) 3-3-6 to 14-11-8, Exterior(2) 14-11-8 to 19-4-5, Interior(1) 19-4-5 to 29-6-12 zone;C-C for members and forces & MWFRS for reactions shown; Lumber DOL=1.60 plate grip DOL=1.60
 - 3) This truss has been designed for a 10.0 psf bottom chord live load nonconcurrent with any other live loads.
 - 4) * This truss has been designed for a live load of 30.0psf on the bottom chord in all areas where a rectangle 3-6-0 tall by 2-0-0 wide will fit between the bottom chord and any other members, with BCDL = 10.0psf.
 - 5) Refer to girder(s) for truss to truss connections.
 - 6) Provide mechanical connection (by others) of truss to bearing plate capable of withstanding 100 lb uplift at joint(s) 2, 8.



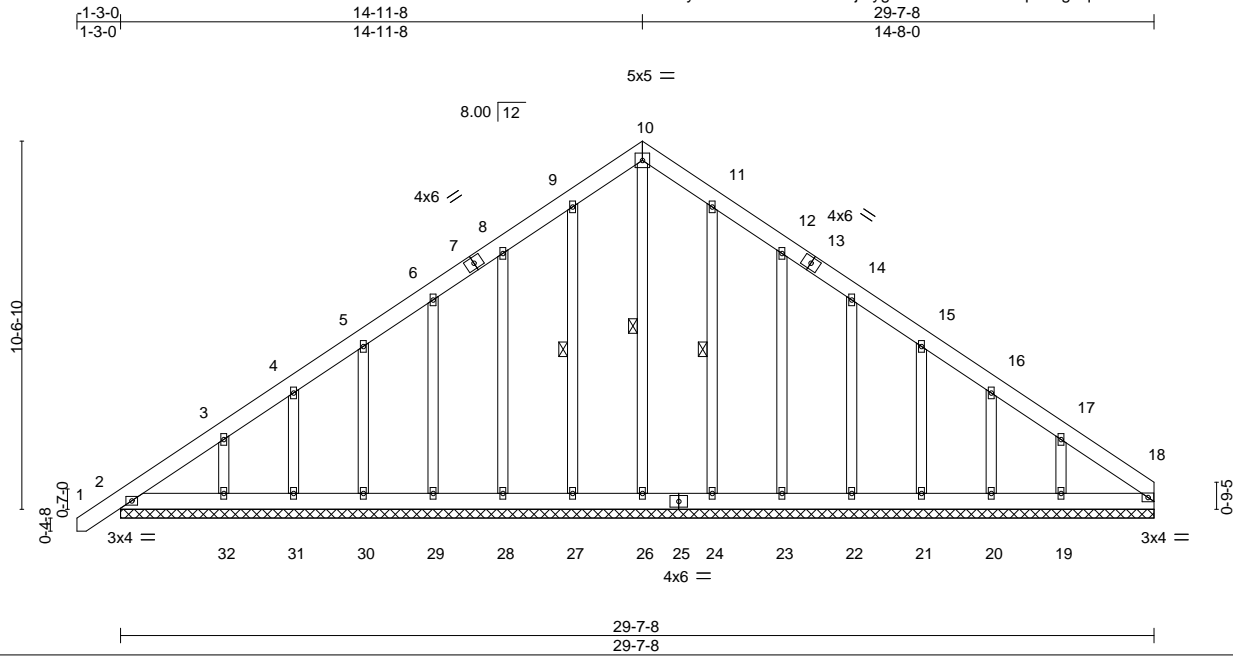
August 15, 2023

<p>WARNING - Verify design parameters and READ NOTES ON THIS AND INCLUDED MITEK REFERENCE PAGE MII-7473 rev. 1/2/2023 BEFORE USE.</p> <p>Design valid for use only with MiTek® connectors. This design is based only upon parameters shown, and is for an individual building component, not a truss system. Before use, the building designer must verify the applicability of design parameters and properly incorporate this design into the overall building design. Bracing indicated is to prevent buckling of individual truss web and/or chord members only. Additional temporary and permanent bracing is always required for stability and to prevent collapse with possible personal injury and property damage. For general guidance regarding the fabrication, storage, delivery, erection and bracing of trusses and truss systems, see ANSI/TPH Quality Criteria and DSB-22 available from Truss Plate Institute (www.tpinst.org) and BCSI Building Component Safety Information available from the Structural Building Component Association (www.sbcacomponents.com)</p>	 818 Soundside Road Edenton, NC 27932
--	---

Job J0722-3742	Truss A2GE	Truss Type GABLE	Qty 1	Ply 1	Lot 36 Liberty Meadows Job Reference (optional)	I60141573
-------------------	---------------	---------------------	----------	----------	--	-----------

Comtech, Inc. Fayetteville, NC - 28314,

8.430 s Jan 6 2022 MiTek Industries, Inc. Mon Aug 14 13:17:32 2023 Page 1
ID:r?yi3DAbxRr?CsKd7DtDjMyglnZ-RfC?PsB70Hq3NSgPqnL8w3ulTXbGKWrCDoi7J4zJC?f



Scale = 1:66.0

LOADING (psf)	SPACING-	2-0-0	CSI.	DEFL.	in (loc)	l/defl	L/d	PLATES	GRIP
TCLL 20.0	Plate Grip DOL	1.15	TC 0.04	Vert(LL)	-0.00	1	n/r	MT20	244/190
TCDL 10.0	Lumber DOL	1.15	BC 0.03	Vert(CT)	0.00	1	n/r		
BCLL 0.0 *	Rep Stress Incr	YES	WB 0.14	Horz(CT)	0.01	18	n/a		
BCDL 10.0	Code IRC2015/TPI2014		Matrix-S					Weight: 260 lb	FT = 20%

LUMBER-
TOP CHORD 2x6 SP No.1
BOT CHORD 2x6 SP No.1
OTHERS 2x4 SP No.2

BRACING-
TOP CHORD Structural wood sheathing directly applied or 6-0-0 oc purlins.
BOT CHORD Rigid ceiling directly applied or 10-0-0 oc bracing.
WEBS 1 Row at midpt 10-26, 9-27, 11-24

REACTIONS. All bearings 29-7-8.
(lb) - Max Horz 2=314(LC 9)
Max Uplift All uplift 100 lb or less at joint(s) 18, 27, 28, 29, 30, 31, 24, 22, 21, 20, 2 except 32=-122(LC 12), 23=-101(LC 13), 19=-145(LC 13)
Max Grav All reactions 250 lb or less at joint(s) 18, 26, 27, 28, 29, 30, 31, 32, 24, 23, 22, 21, 20, 2 except 19=251(LC 20)

FORCES. (lb) - Max. Comp./Max. Ten. - All forces 250 (lb) or less except when shown.
TOP CHORD 2-3=-303/230, 9-10=-234/259, 10-11=-234/259

- NOTES-**
- 1) Unbalanced roof live loads have been considered for this design.
 - 2) Wind: ASCE 7-10; Vult=130mph Vasd=103mph; TCDL=6.0psf; BCDL=6.0psf; h=15ft; Cat. II; Exp C; Enclosed; MWFRS (envelope) gable end zone and C-C Exterior(2) zone; C-C for members and forces & MWFRS for reactions shown; Lumber DOL=1.60 plate grip DOL=1.60
 - 3) Truss designed for wind loads in the plane of the truss only. For studs exposed to wind (normal to the face), see Standard Industry Gable End Details as applicable, or consult qualified building designer as per ANSI/TPI 1.
 - 4) All plates are 2x4 MT20 unless otherwise indicated.
 - 5) Gable requires continuous bottom chord bearing.
 - 6) Gable studs spaced at 2-0-0 oc.
 - 7) This truss has been designed for a 10.0 psf bottom chord live load nonconcurrent with any other live loads.
 - 8) * This truss has been designed for a live load of 30.0psf on the bottom chord in all areas where a rectangle 3-6-0 tall by 2-0-0 wide will fit between the bottom chord and any other members.
 - 9) Provide mechanical connection (by others) of truss to bearing plate capable of withstanding 100 lb uplift at joint(s) 18, 27, 28, 29, 30, 31, 24, 22, 21, 20, 2 except (jt=lb) 32=122, 23=101, 19=145.



August 15, 2023

WARNING - Verify design parameters and READ NOTES ON THIS AND INCLUDED MITEK REFERENCE PAGE MII-7473 rev. 1/2/2023 BEFORE USE.
Design valid for use only with MiTek® connectors. This design is based only upon parameters shown, and is for an individual building component, not a truss system. Before use, the building designer must verify the applicability of design parameters and properly incorporate this design into the overall building design. Bracing indicated is to prevent buckling of individual truss web and/or chord members only. Additional temporary and permanent bracing is always required for stability and to prevent collapse with possible personal injury and property damage. For general guidance regarding the fabrication, storage, delivery, erection and bracing of trusses and truss systems, see **ANSI/TPI1 Quality Criteria and DSB-22** available from Truss Plate Institute (www.tpinst.org) and **BCSI Building Component Safety Information** available from the Structural Building Component Association (www.sbcacomponents.com)

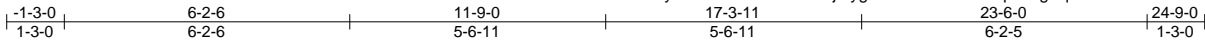


818 Soundside Road
Edenton, NC 27932

Job J0722-3742	Truss B1	Truss Type COMMON	Qty 1	Ply 1	Lot 36 Liberty Meadows 160141574
-------------------	-------------	----------------------	----------	----------	-------------------------------------

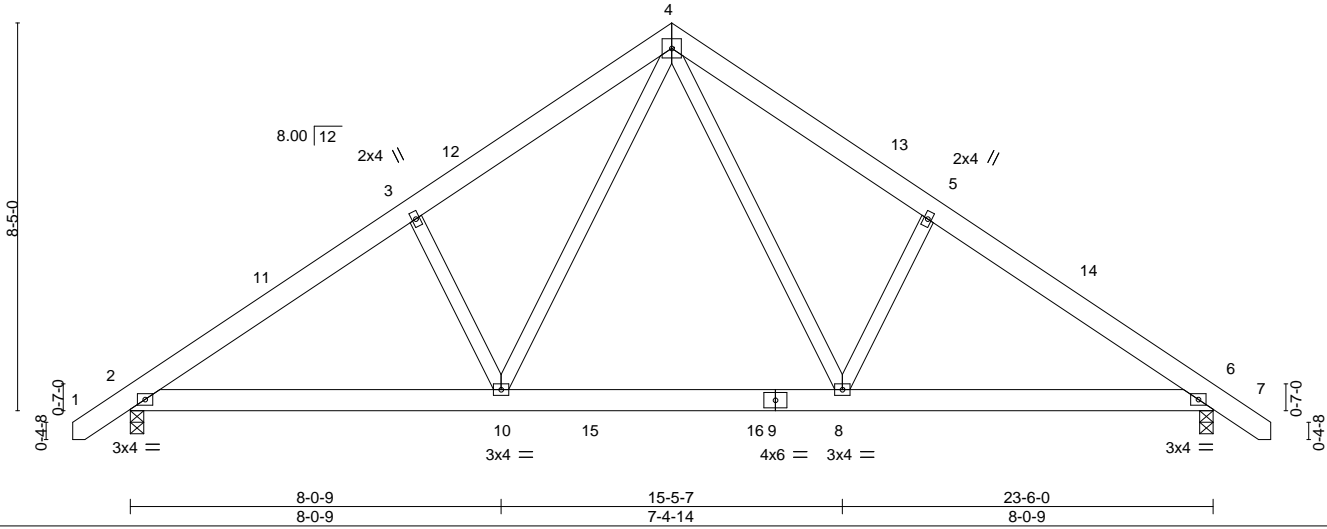
Comtech, Inc. Fayetteville, NC - 28314,

8.430 s Jan 6 2022 MiTek Industries, Inc. Mon Aug 14 13:17:33 2023 Page 1
ID:r?yi3DAbxRr?CsKd7DtDjMygInZ-RfC?PsB70Hq3NSgPqnL8w3ulTXbGKWrCDoi7J4zJC?f



5x5 =

Scale = 1:50.0



LOADING (psf)	SPACING-	2-0-0	CSI.	DEFL.	in (loc)	l/defl	L/d	PLATES	GRIP
TCLL 20.0	Plate Grip DOL	1.15	TC 0.14	Vert(LL)	-0.06	8-10	>999	MT20	244/190
TCDL 10.0	Lumber DOL	1.15	BC 0.24	Vert(CT)	-0.09	8-10	>999		
BCLL 0.0 *	Rep Stress Incr	YES	WB 0.17	Horz(CT)	0.02	6	n/a		
BCDL 10.0	Code IRC2015/TPI2014		Matrix-S	Wind(LL)	0.02	10	>999		
								Weight: 166 lb	FT = 20%

LUMBER-
TOP CHORD 2x6 SP No.1
BOT CHORD 2x6 SP No.1
WEBS 2x4 SP No.2

BRACING-
TOP CHORD Structural wood sheathing directly applied or 6-0-0 oc purlins.
BOT CHORD Rigid ceiling directly applied or 10-0-0 oc bracing.

REACTIONS. (size) 2=0-3-8, 6=0-3-8
Max Horz 2=-206(LC 10)
Max Uplift 2=-67(LC 12), 6=-67(LC 13)
Max Grav 2=1015(LC 19), 6=1015(LC 20)

FORCES. (lb) - Max. Comp./Max. Ten. - All forces 250 (lb) or less except when shown.
TOP CHORD 2-3=-1355/279, 3-4=-1237/351, 4-5=-1238/351, 5-6=-1356/279
BOT CHORD 2-10=-100/1180, 8-10=0/776, 6-8=-115/1052
WEBS 4-8=-132/620, 5-8=-385/235, 4-10=-132/619, 3-10=-386/235

NOTES-

- 1) Unbalanced roof live loads have been considered for this design.
- 2) Wind: ASCE 7-10; Vult=130mph Vasd=103mph; TCCL=6.0psf; BCDL=6.0psf; h=15ft; Cat. II; Exp C; Enclosed; MWFRS (envelope) and C-C Exterior(2) -1-1-7 to 3-3-6, Interior(1) 3-3-6 to 11-9-0, Exterior(2) 11-9-0 to 16-1-13, Interior(1) 16-1-13 to 24-7-7 zone; C-C for members and forces & MWFRS for reactions shown; Lumber DOL=1.60 plate grip DOL=1.60
- 3) This truss has been designed for a 10.0 psf bottom chord live load nonconcurrent with any other live loads.
- 4) * This truss has been designed for a live load of 30.0psf on the bottom chord in all areas where a rectangle 3-6-0 tall by 2-0-0 wide will fit between the bottom chord and any other members, with BCDL = 10.0psf.
- 5) Provide mechanical connection (by others) of truss to bearing plate capable of withstanding 100 lb uplift at joint(s) 2, 6.



August 15, 2023

WARNING - Verify design parameters and READ NOTES ON THIS AND INCLUDED MITEK REFERENCE PAGE MII-7473 rev. 1/2/2023 BEFORE USE.

Design valid for use only with MiTek® connectors. This design is based only upon parameters shown, and is for an individual building component, not a truss system. Before use, the building designer must verify the applicability of design parameters and properly incorporate this design into the overall building design. Bracing indicated is to prevent buckling of individual truss web and/or chord members only. Additional temporary and permanent bracing is always required for stability and to prevent collapse with possible personal injury and property damage. For general guidance regarding the fabrication, storage, delivery, erection and bracing of trusses and truss systems, see **ANSI/TPH Quality Criteria and DSB-22** available from Truss Plate Institute (www.tpinst.org) and **BCSI Building Component Safety Information** available from the Structural Building Component Association (www.sbcacomponents.com)



818 Soundside Road
Edenton, NC 27932

Job J0722-3742	Truss B1GE	Truss Type GABLE	Qty 1	Ply 1	Lot 36 Liberty Meadows I60141575
-------------------	---------------	---------------------	----------	----------	-------------------------------------

Comtech, Inc. Fayetteville, NC - 28314,

8.430 s Jan 6 2022 MiTek Industries, Inc. Mon Aug 14 13:17:34 2023 Page 1

ID:r?yi3DAbxRr?CsKd7DtDjMyglnZ-RfC?PsB70Hq3NSgPqnL8w3ulTXbGKWrcDoi7J4zJC?f



5x5 =

Scale = 1:54.8

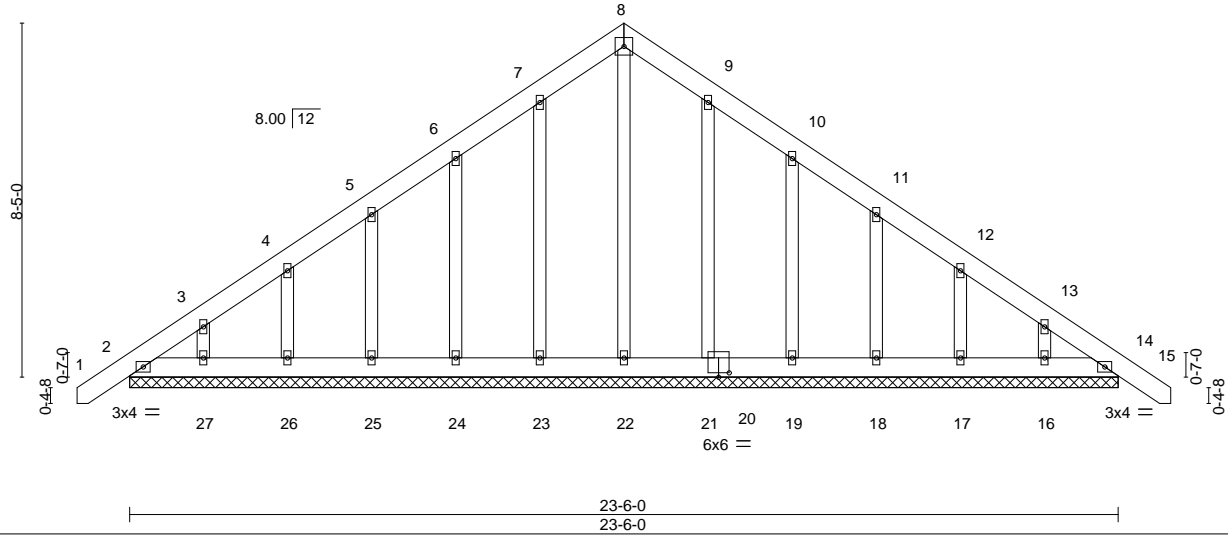


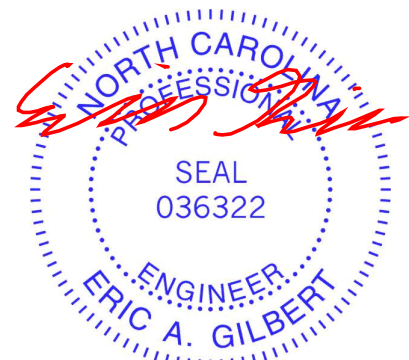
Plate Offsets (X,Y)--	[20:0-3-0,0-1-4]				
LOADING (psf)	SPACING- 2-0-0	CSI.	DEFL. in (loc) l/defl L/d	PLATES	GRIP
TCLL 20.0	Plate Grip DOL 1.15	TC 0.03	Vert(LL) -0.00 14 n/r 120	MT20	244/190
TCDL 10.0	Lumber DOL 1.15	BC 0.02	Vert(CT) -0.00 14 n/r 120		
BCLL 0.0 *	Rep Stress Incr YES	WB 0.15	Horz(CT) 0.00 14 n/a n/a		
BCDL 10.0	Code IRC2015/TPI2014	Matrix-S		Weight: 192 lb	FT = 20%

LUMBER-	BRACING-
TOP CHORD 2x6 SP No.1	TOP CHORD Structural wood sheathing directly applied or 6-0-0 oc purlins.
BOT CHORD 2x6 SP No.1	BOT CHORD Rigid ceiling directly applied or 10-0-0 oc bracing.
OTHERS 2x4 SP No.2	

REACTIONS. All bearings 23-6-0.
 (lb) - Max Horz 2=257(LC 10)
 Max Uplift All uplift 100 lb or less at joint(s) 2, 14, 23, 24, 25, 26, 27, 21, 19, 18, 17, 16
 Max Grav All reactions 250 lb or less at joint(s) 2, 14, 22, 23, 24, 25, 26, 27, 21, 19, 18, 17, 16

FORCES. (lb) - Max. Comp./Max. Ten. - All forces 250 (lb) or less except when shown.

- NOTES-**
- 1) Unbalanced roof live loads have been considered for this design.
 - 2) Wind: ASCE 7-10; Vult=130mph Vasd=103mph; TCDL=6.0psf; BCDL=6.0psf; h=15ft; Cat. II; Exp C; Enclosed; MWFRS (envelope) gable end zone and C-C Exterior(2) zone; C-C for members and forces & MWFRS for reactions shown; Lumber DOL=1.60 plate grip DOL=1.60
 - 3) Truss designed for wind loads in the plane of the truss only. For studs exposed to wind (normal to the face), see Standard Industry Gable End Details as applicable, or consult qualified building designer as per ANSI/TPI 1.
 - 4) All plates are 2x4 MT20 unless otherwise indicated.
 - 5) Gable requires continuous bottom chord bearing.
 - 6) Gable studs spaced at 2-0-0 oc.
 - 7) This truss has been designed for a 10.0 psf bottom chord live load nonconcurrent with any other live loads.
 - 8) * This truss has been designed for a live load of 30.0psf on the bottom chord in all areas where a rectangle 3-6-0 tall by 2-0-0 wide will fit between the bottom chord and any other members.
 - 9) Provide mechanical connection (by others) of truss to bearing plate capable of withstanding 100 lb uplift at joint(s) 2, 14, 23, 24, 25, 26, 27, 21, 19, 18, 17, 16.

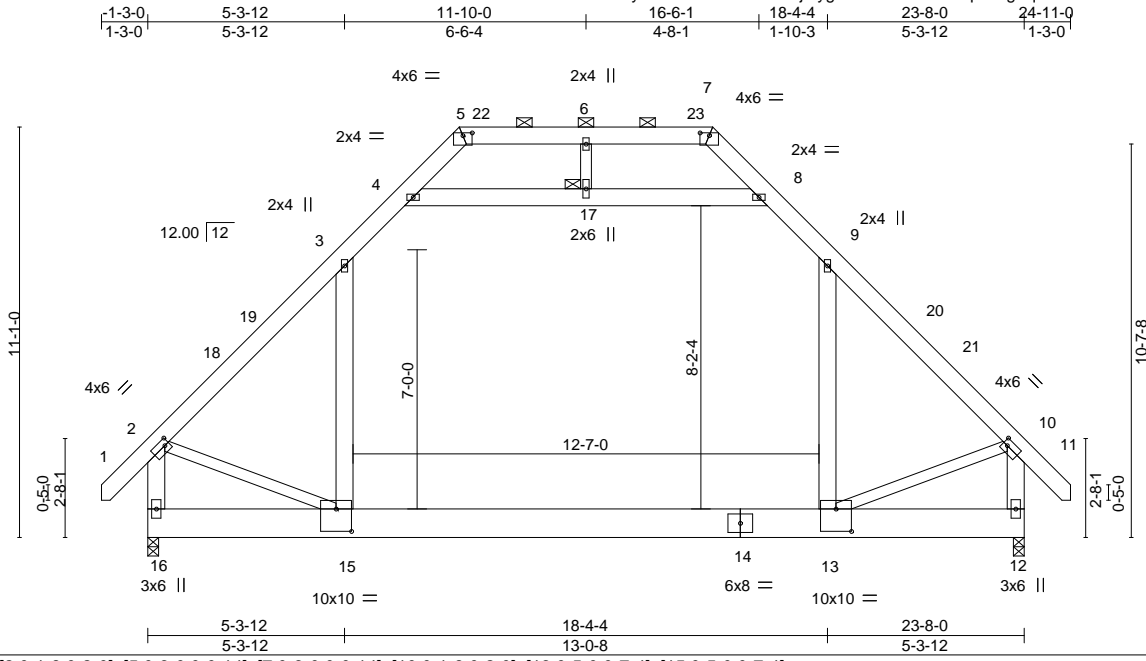


August 15, 2023

Job J0722-3742	Truss C1	Truss Type ROOF TRUSS	Qty 9	Ply 1	Lot 36 Liberty Meadows 160141576
-------------------	-------------	--------------------------	----------	----------	-------------------------------------

Comtech, Inc. Fayetteville, NC - 28314,

8.430 s Jan 6 2022 MiTek Industries, Inc. Mon Aug 14 13:17:36 2023 Page 1
 ID:r?yi3DAbxRr?CsKd7DtDjMyglnZ-RfC?PsB70Hq3NSgPqnL8w3ulTXbGKWrCDoi7J4zJC?f



Scale = 1:62.2

Plate Offsets (X,Y)--	[2:0-1-8,0-2-0], [5:0-3-0,0-0-14], [7:0-3-0,0-0-14], [10:0-1-8,0-2-0], [13:0-5-0,0-7-4], [15:0-5-0,0-7-4]
-----------------------	---

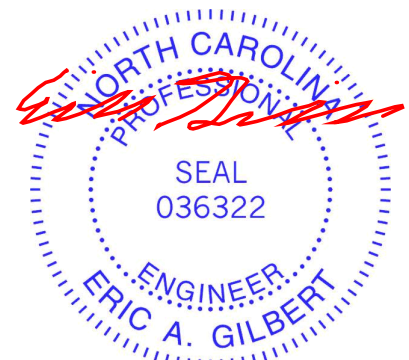
LOADING (psf)	SPACING-	CSI.	DEFL.	PLATES	GRIP
TCLL 20.0	2-0-0	TC 0.52	in (loc) l/defl L/d	MT20	244/190
TCDL 10.0	Plate Grip DOL 1.15	BC 0.72	Vert(LL) -0.18 13-15 >999 360		
BCLL 0.0 *	Lumber DOL 1.15	WB 0.27	Vert(CT) -0.29 13-15 >948 240		
BCDL 10.0	Rep Stress Incr YES	Matrix-S	Horz(CT) 0.01 12 n/a n/a		
	Code IRC2015/TPI2014		Wind(LL) 0.07 13-15 >999 240	Weight: 253 lb	FT = 20%

LUMBER-	BRACING-
TOP CHORD 2x6 SP No.1	TOP CHORD Structural wood sheathing directly applied or 5-7-3 oc purlins, except end verticals, and 2-0-0 oc purlins (6-0-0 max.): 5-7.
BOT CHORD 2x10 SP No.1	BOT CHORD Rigid ceiling directly applied or 10-0-0 oc bracing.
WEBS 2x6 SP No.1 *Except* 2-15,10-13,6-17: 2x4 SP No.2	JOINTS 1 Brace at Jt(s): 17

REACTIONS. (size) 16=0-3-8, 12=0-3-8
 Max Horz 16=-307(LC 10)
 Max Grav 16=1605(LC 2), 12=1605(LC 2)

FORCES. (lb) - Max. Comp./Max. Ten. - All forces 250 (lb) or less except when shown.
 TOP CHORD 2-3=-1663/23, 3-4=-1048/180, 4-5=-374/140, 7-8=-374/140, 8-9=-1048/180,
 9-10=-1663/23, 2-16=-1768/72, 10-12=-1769/72
 BOT CHORD 15-16=-280/372, 13-15=0/1100
 WEBS 4-17=-1167/94, 8-17=-1167/94, 3-15=0/696, 9-13=0/696, 2-15=0/1102, 10-13=0/1104

- NOTES-**
- 1) Unbalanced roof live loads have been considered for this design.
 - 2) Wind: ASCE 7-10; Vult=130mph Vasd=103mph; TC DL=6.0psf; BCDL=6.0psf; h=15ft; Cat. II; Exp C; Enclosed; MWFRS (envelope) and C-C Exterior(2) -1-1-10 to 3-3-3, Interior(1) 3-3-3 to 8-6-1, Exterior(2) 8-6-1 to 14-8-12, Interior(1) 14-8-12 to 15-1-15, Exterior(2) 15-1-15 to 21-4-10, Interior(1) 21-4-10 to 24-9-10 zone; end vertical left and right exposed; C-C for members and forces & MWFRS for reactions shown; Lumber DOL=1.60 plate grip DOL=1.60
 - 3) Provide adequate drainage to prevent water ponding.
 - 4) This truss has been designed for a 10.0 psf bottom chord live load nonconcurrent with any other live loads.
 - 5) * This truss has been designed for a live load of 30.0psf on the bottom chord in all areas where a rectangle 3-6-0 tall by 2-0-0 wide will fit between the bottom chord and any other members.
 - 6) Ceiling dead load (10.0 psf) on member(s). 3-4, 8-9, 4-17, 8-17; Wall dead load (5.0psf) on member(s). 3-15, 9-13
 - 7) Bottom chord live load (40.0 psf) and additional bottom chord dead load (10.0 psf) applied only to room. 13-15
 - 8) Graphical purlin representation does not depict the size or the orientation of the purlin along the top and/or bottom chord.
 - 9) Attic room checked for L/360 deflection.

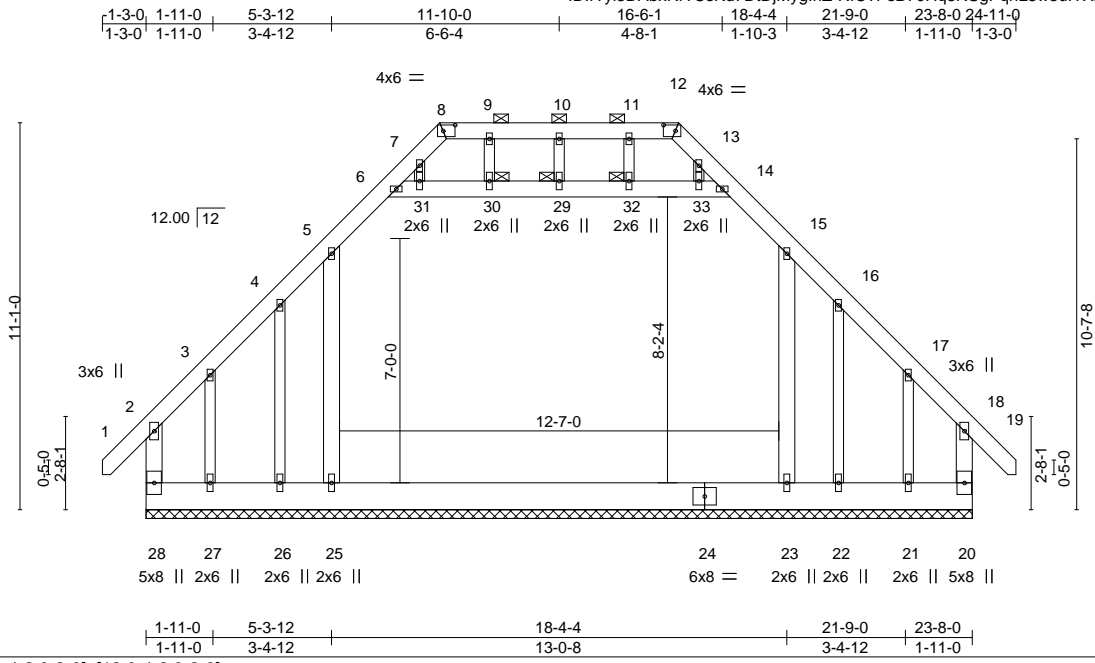


August 15, 2023

Job J0722-3742	Truss C1GE	Truss Type GABLE	Qty 1	Ply 1	Lot 36 Liberty Meadows Job Reference (optional)	60141577
-------------------	---------------	---------------------	----------	----------	--	----------

Comtech, Inc. Fayetteville, NC - 28314,

8.430 s Jan 6 2022 MiTek Industries, Inc. Mon Aug 14 13:17:38 2023 Page 1
ID:r?yi3DAbxRr?CsKd7DtDjMyglnZ-RfC?PsB70Hq3NSgPqnL8w3uITXbGKWRCDoi7J4zJC?f



Scale = 1:66.0

LOADING (psf)	SPACING-	CSI.	DEFL.	PLATES	GRIP
TCLL 20.0	2-0-0	TC 0.18	in (loc) l/defl L/d	MT20	244/190
TCDL 10.0	Plate Grip DOL 1.15	BC 0.32	Vert(LL) 0.00 18 n/r 120		
BCLL 0.0 *	Lumber DOL 1.15	WB 0.31	Vert(CT) 0.00 18 n/r 120		
BCDL 10.0	Rep Stress Incr YES	Matrix-S	Horz(CT) -0.00 20 n/a n/a		
	Code IRC2015/TPI2014			Weight: 269 lb	FT = 20%

LUMBER-	BRACING-
TOP CHORD 2x6 SP No.1	TOP CHORD Structural wood sheathing directly applied or 6-0-0 oc purlins, except end verticals, and 2-0-0 oc purlins (6-0-0 max.): 8-12.
BOT CHORD 2x10 SP No.1	BOT CHORD Rigid ceiling directly applied or 10-0-0 oc bracing.
WEBS 2x6 SP No.1	JOINTS 1 Brace at Jt(s): 29, 30, 32
OTHERS 2x4 SP No.2	

REACTIONS. All bearings 23-8-0.
 (lb) - Max Horz 28=-385(LC 10)
 Max Uplift All uplift 100 lb or less at joint(s) except 28=-349(LC 8), 20=-329(LC 9), 26=-1021(LC 18), 27=-367(LC 12), 22=-1021(LC 18), 21=-363(LC 13)
 Max Grav All reactions 250 lb or less at joint(s) except 28=626(LC 21), 25=1779(LC 23), 23=1776(LC 22), 20=610(LC 20), 27=427(LC 10), 21=411(LC 11)

FORCES. (lb) - Max. Comp./Max. Ten. - All forces 250 (lb) or less except when shown.
 TOP CHORD 2-3=-407/256, 3-4=-260/177, 4-5=-272/305, 5-6=-471/281, 6-7=-733/170, 7-8=-613/109, 12-13=-613/111, 13-14=-733/171, 14-15=-471/281, 15-16=-272/306, 16-17=-251/169, 17-18=-395/241, 2-28=-427/212, 18-20=-417/199, 8-9=-594/105, 9-10=-594/105, 10-11=-594/105, 11-12=-594/105
 WEBS 6-31=-2/474, 30-31=-2/475, 29-30=-2/475, 29-32=-2/475, 32-33=-2/475, 14-33=-1/473, 5-25=-660/38, 15-23=-660/27

- NOTES-**
- Unbalanced roof live loads have been considered for this design.
 - Wind: ASCE 7-10; Vult=130mph Vasd=103mph; TC DL=6.0psf; BCDL=6.0psf; h=15ft; Cat. II; Exp C; Enclosed; MWFRS (envelope) gable end zone and C-C Exterior(2) zone; end vertical left and right exposed; C-C for members and forces & MWFRS for reactions shown; Lumber DOL=1.60 plate grip DOL=1.60
 - Truss designed for wind loads in the plane of the truss only. For studs exposed to wind (normal to the face), see Standard Industry Gable End Details as applicable, or consult qualified building designer as per ANSI/TPI 1.
 - Provide adequate drainage to prevent water ponding.
 - All plates are 2x4 MT20 unless otherwise indicated.
 - Gable requires continuous bottom chord bearing.
 - Gable studs spaced at 2-0-0 oc.
 - This truss has been designed for a 10.0 psf bottom chord live load nonconcurrent with any other live loads.
 - * This truss has been designed for a live load of 30.0psf on the bottom chord in all areas where a rectangle 3-6-0 tall by 2-0-0 wide will fit between the bottom chord and any other members, with BCDL = 10.0psf.
 - Ceiling dead load (10.0 psf) on member(s). 5-6, 14-15, 6-31, 30-31, 29-30, 29-32, 32-33, 14-33; Wall dead load (5.0psf) on member(s). 5-25, 15-23
 - Provide mechanical connection (by others) of truss to bearing plate capable of withstanding 349 lb uplift at joint 28, 329 lb uplift at joint 20, 1021 lb uplift at joint 26, 367 lb uplift at joint 27, 1021 lb uplift at joint 22 and 363 lb uplift at joint 21.
 - Graphical purlin representation does not depict the size or the orientation of the purlin along the top and/or bottom chord.
 - This truss has large uplift reaction(s) from gravity load case(s). Proper connection is required to secure truss against upward movement at the bearings. Building designer must provide for uplift reactions indicated.



August 15, 2023

WARNING - Verify design parameters and READ NOTES ON THIS AND INCLUDED MITEK REFERENCE PAGE MII-7473 rev. 1/2/2023 BEFORE USE.
 Design valid for use only with MiTek® connectors. This design is based only upon parameters shown, and is for an individual building component, not a truss system. Before use, the building designer must verify the applicability of design parameters and properly incorporate this design into the overall building design. Bracing indicated is to prevent buckling of individual truss web and/or chord members only. Additional temporary and permanent bracing is always required for stability and to prevent collapse with possible personal injury and property damage. For general guidance regarding the fabrication, storage, delivery, erection and bracing of trusses and truss systems, see **ANSI/TPI1 Quality Criteria and DSB-22** available from Truss Plate Institute (www.tpinst.org) and **BCSI Building Component Safety Information** available from the Structural Building Component Association (www.sbcacomponents.com)

ENGINEERING BY TRENCO
 A MiTek Affiliate
 818 Soundside Road
 Edenton, NC 27932

Job J0722-3742	Truss C1GE	Truss Type GABLE	Qty 1	Ply 1	Lot 36 Liberty Meadows Job Reference (optional)	I60141577
-------------------	---------------	---------------------	----------	----------	--	-----------

Comtech, Inc. Fayetteville, NC - 28314,

8.430 s Jan 6 2022 MiTek Industries, Inc. Mon Aug 14 13:17:38 2023 Page 2
ID:r?yi3DAbxRr?CsKd7DtDjMygInZ-RfC?PsB70Hq3NSgPqnL8w3ulTXbGKWrcDoi7J4zJC?f

NOTES-

14) Attic room checked for L/360 deflection.

WARNING - Verify design parameters and READ NOTES ON THIS AND INCLUDED MITEK REFERENCE PAGE MII-7473 rev. 1/2/2023 BEFORE USE.

Design valid for use only with MiTek® connectors. This design is based only upon parameters shown, and is for an individual building component, not a truss system. Before use, the building designer must verify the applicability of design parameters and properly incorporate this design into the overall building design. Bracing indicated is to prevent buckling of individual truss web and/or chord members only. Additional temporary and permanent bracing is always required for stability and to prevent collapse with possible personal injury and property damage. For general guidance regarding the fabrication, storage, delivery, erection and bracing of trusses and truss systems, see **ANSI/TP1 Quality Criteria and DSB-22** available from Truss Plate Institute (www.tpinst.org) and **BCSI Building Component Safety Information** available from the Structural Building Component Association (www.sbcacomponents.com)

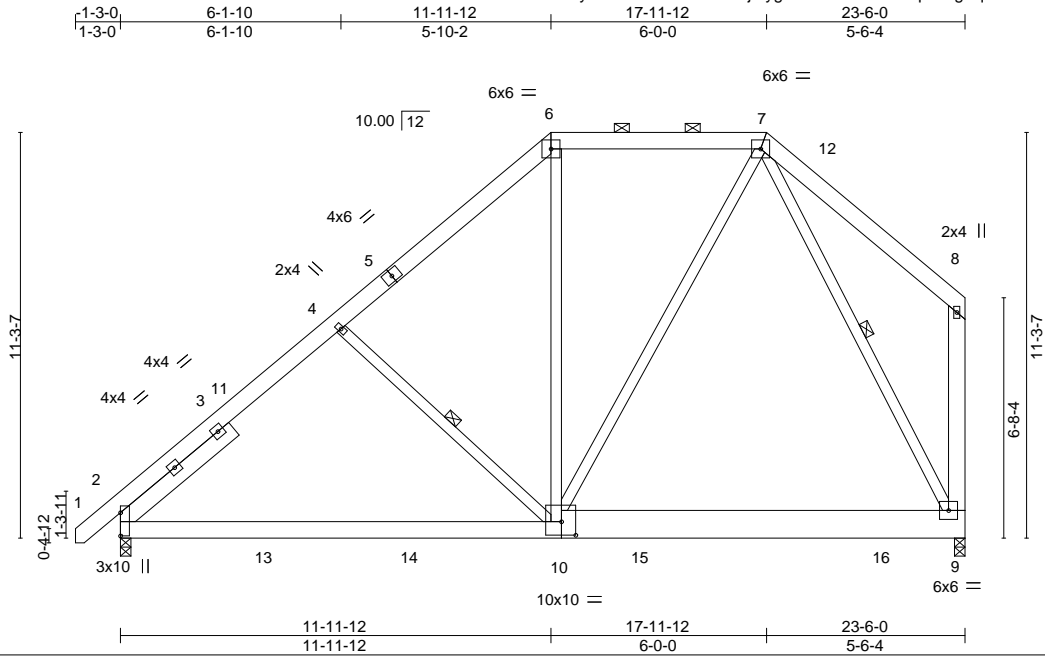


818 Soundside Road
Edenton, NC 27932

Job J0722-3742	Truss D1	Truss Type PIGGYBACK BASE	Qty 4	Ply 1	Lot 36 Liberty Meadows Job Reference (optional)	160141578
-------------------	-------------	------------------------------	----------	----------	--	-----------

Comtech, Inc. Fayetteville, NC - 28314,

8.430 s Jan 6 2022 MiTek Industries, Inc. Mon Aug 14 13:17:39 2023 Page 1
ID:r?yi3DAbxRr?CsKd7DtDjMygInZ-RfC?PsB70Hq3NSgPqnL8w3uITXbGKWrCDoi?J4zJC?f



Scale: 3/16"=1'

Plate Offsets (X,Y)-- [2:Edge,0-0-0], [10:0-4-12,0-4-8]

LOADING (psf)	SPACING-	2-0-0	CSI.	DEFL.	in (loc)	l/defl	L/d	PLATES	GRIP
TCLL 20.0	Plate Grip DOL	1.15	TC 0.15	Vert(LL)	-0.15	2-10	>999	MT20	244/190
TCDL 10.0	Lumber DOL	1.15	BC 0.58	Vert(CT)	-0.25	2-10	>999		
BCLL 0.0 *	Rep Stress Incr	YES	WB 0.49	Horz(CT)	0.01	9	n/a		
BCDL 10.0	Code IRC2015/TP12014		Matrix-S	Wind(LL)	0.01	2-10	>999		
								Weight: 229 lb	FT = 20%

LUMBER-	BRACING-
TOP CHORD 2x6 SP No.1	TOP CHORD Structural wood sheathing directly applied or 6-0-0 oc purlins, except end verticals, and 2-0-0 oc purlins (6-0-0 max.): 6-7.
BOT CHORD 2x6 SP No.1 *Except* 9-10: 2x10 SP No.1	BOT CHORD Rigid ceiling directly applied or 10-0-0 oc bracing.
WEBS 2x4 SP No.2 *Except* 8-9: 2x6 SP No.1	WEBS 1 Row at midpt 4-10, 7-9
SLIDER Left 2x6 SP No.1 4-0-15	

REACTIONS.	(size)
	2=0-3-8, 9=0-3-8
	Max Horz 2=264(LC 12)
	Max Uplift 2=-35(LC 12), 9=-45(LC 12)
	Max Grav 2=1111(LC 19), 9=1090(LC 2)

FORCES.	(lb) - Max. Comp./Max. Ten. - All forces 250 (lb) or less except when shown.
TOP CHORD	2-4=-1145/273, 4-6=-920/285, 6-7=-645/305
BOT CHORD	2-10=-318/897, 9-10=-87/397
WEBS	4-10=-398/280, 6-10=0/290, 7-10=-59/598, 7-9=-812/171

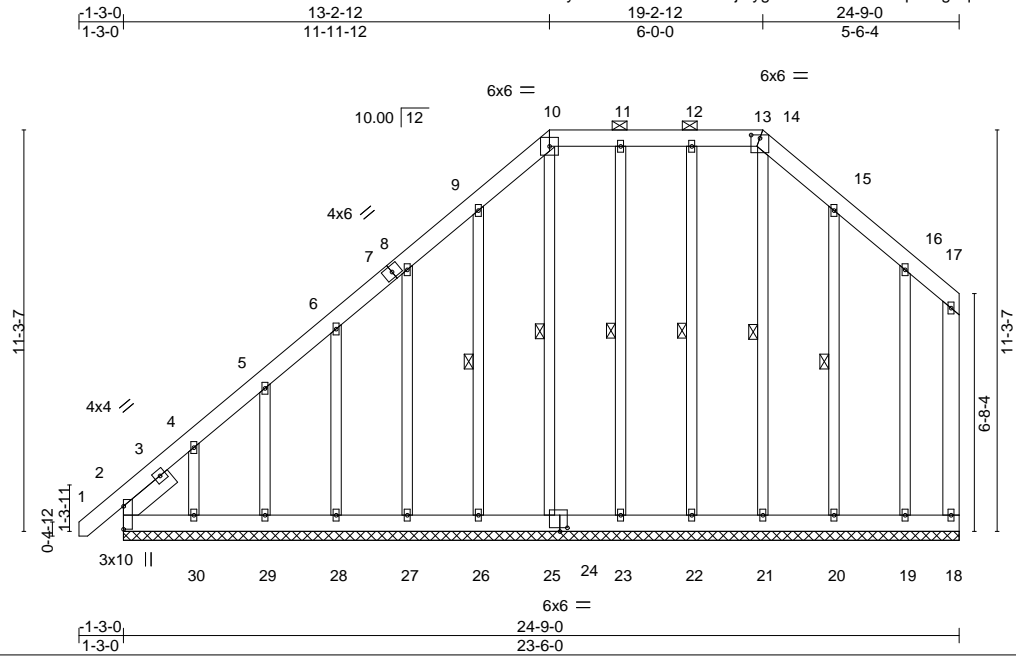
- NOTES-**
- 1) Unbalanced roof live loads have been considered for this design.
 - 2) Wind: ASCE 7-10; Vult=130mph Vasd=103mph; TCDL=6.0psf; BCDL=6.0psf; h=15ft; Cat. II; Exp C; Enclosed; MWFRS (envelope) and C-C Exterior(2) -1-1-9 to 3-3-4, Interior(1) 3-3-4 to 11-11-12, Exterior(2) 11-11-12 to 23-3-4 zone:C-C for members and forces & MWFRS for reactions shown; Lumber DOL=1.60 plate grip DOL=1.60
 - 3) Provide adequate drainage to prevent water ponding.
 - 4) This truss has been designed for a 10.0 psf bottom chord live load nonconcurrent with any other live loads.
 - 5) * This truss has been designed for a live load of 30.0psf on the bottom chord in all areas where a rectangle 3-6-0 tall by 2-0-0 wide will fit between the bottom chord and any other members, with BCDL = 10.0psf.
 - 6) Provide mechanical connection (by others) of truss to bearing plate capable of withstanding 35 lb uplift at joint 2 and 45 lb uplift at joint 9.
 - 7) See Standard Industry Piggyback Truss Connection Detail for Connection to base truss as applicable, or consult qualified building designer.
 - 8) Graphical purlin representation does not depict the size or the orientation of the purlin along the top and/or bottom chord.



Job J0722-3742	Truss D1GE	Truss Type PIGGYBACK BASE SUPPO	Qty 1	Ply 1	Lot 36 Liberty Meadows I60141579
-------------------	---------------	------------------------------------	----------	----------	-------------------------------------

Comtech, Inc. Fayetteville, NC - 28314,

8.430 s Jan 6 2022 MiTek Industries, Inc. Mon Aug 14 13:17:41 2023 Page 1
 ID:r?yi3DAbxRr?CsKd7DtDjMygInZ-RfC?PsB70Hq3NSgPqnL8w3uITXbGKWrCDoi7J4zJC?f



Scale = 1:64.8

Plate Offsets (X, Y)-- [2:Edge,0-0-0], [13:0-3-0,0-1-1], [24:0-2-8,0-1-4]

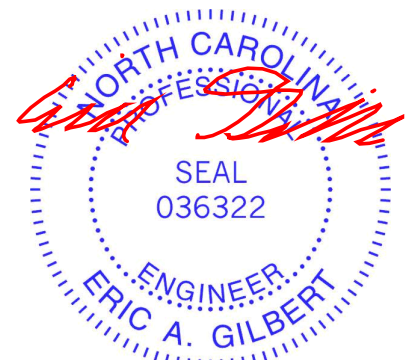
LOADING (psf)	SPACING-	2-0-0	CSI.	DEFL.	in (loc)	l/defl	L/d	PLATES	GRIP
TCLL 20.0	Plate Grip DOL	1.15	TC 0.07	Vert(LL)	-0.00	1	n/r	MT20	244/190
TCDL 10.0	Lumber DOL	1.15	BC 0.02	Vert(CT)	-0.00	1	n/r		
BCLL 0.0 *	Rep Stress Incr	YES	WB 0.16	Horz(CT)	-0.00	18	n/a		
BCDL 10.0	Code IRC2015/TPI2014		Matrix-S						
								Weight: 270 lb	FT = 20%

LUMBER-	BRACING-
TOP CHORD 2x6 SP No.1	TOP CHORD Structural wood sheathing directly applied or 6-0-0 oc purlins, except end verticals, and 2-0-0 oc purlins (6-0-0 max.): 10-13.
BOT CHORD 2x6 SP No.1	BOT CHORD Rigid ceiling directly applied or 10-0-0 oc bracing.
WEBS 2x6 SP No.1	WEBS 1 Row at midpt 14-21, 12-22, 11-23, 10-25, 9-26, 15-20
OTHERS 2x4 SP No.2	
SLIDER Left 2x6 SP No.1 1-9-2	

REACTIONS. All bearings 23-6-0.
 (lb) - Max Horz 2=394(LC 12)
 Max Uplift All uplift 100 lb or less at joint(s) 18, 22, 23, 25, 29, 20 except 26=-103(LC 12), 27=-117(LC 12), 28=-113(LC 12), 30=-289(LC 12), 19=-105(LC 13), 2=-189(LC 10)
 Max Grav All reactions 250 lb or less at joint(s) 18, 21, 22, 23, 25, 26, 27, 28, 29, 20, 19 except 30=261(LC 19), 2=366(LC 12)

FORCES. (lb) - Max. Comp./Max. Ten. - All forces 250 (lb) or less except when shown.
 TOP CHORD 2-4=-513/342, 4-5=-304/246
 WEBS 4-30=-265/282

- NOTES-**
- Unbalanced roof live loads have been considered for this design.
 - Wind: ASCE 7-10; Vult=130mph Vasd=103mph; TC DL=6.0psf; BCDL=6.0psf; h=15ft; Cat. II; Exp C; Enclosed; MWFRS (envelope) gable end zone and C-C Exterior(2) zone;C-C for members and forces & MWFRS for reactions shown; Lumber DOL=1.60 plate grip DOL=1.60
 - Truss designed for wind loads in the plane of the truss only. For studs exposed to wind (normal to the face), see Standard Industry Gable End Details as applicable, or consult qualified building designer as per ANSI/TPI 1.
 - Provide adequate drainage to prevent water ponding.
 - All plates are 2x4 MT20 unless otherwise indicated.
 - Gable requires continuous bottom chord bearing.
 - Gable studs spaced at 2-0-0 oc.
 - This truss has been designed for a 10.0 psf bottom chord live load nonconcurrent with any other live loads.
 - * This truss has been designed for a live load of 30.0psf on the bottom chord in all areas where a rectangle 3-6-0 tall by 2-0-0 wide will fit between the bottom chord and any other members.
 - Provide mechanical connection (by others) of truss to bearing plate capable of withstanding 100 lb uplift at joint(s) 18, 22, 23, 25, 29, 20 except (jt=lb) 26=103, 27=117, 28=113, 30=289, 19=105, 2=189.
 - See Standard Industry Piggyback Truss Connection Detail for Connection to base truss as applicable, or consult qualified building designer.
 - Graphical purlin representation does not depict the size or the orientation of the purlin along the top and/or bottom chord.



August 15, 2023

Job J0722-3742	Truss G1	Truss Type COMMON	Qty 2	Ply 1	Lot 36 Liberty Meadows Job Reference (optional)	I60141580
-------------------	-------------	----------------------	----------	----------	--	-----------

Comtech, Inc. Fayetteville, NC - 28314,

8.430 s Jan 6 2022 MiTek Industries, Inc. Mon Aug 14 13:17:42 2023 Page 1
ID:r?yi3DAbxRr?CsKd7DtDjMygInZ-RfC?PsB70Hq3NSgPqnL8w3ulTXbGKWrCDoi7J4zJC?f



5x5 =

Scale = 1:45.2

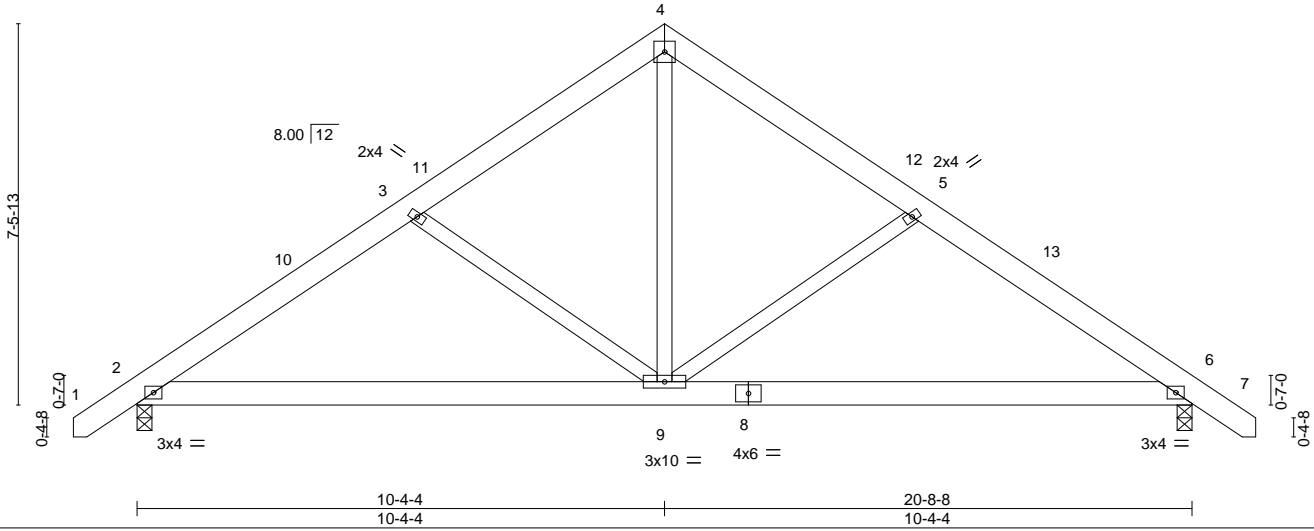


Plate Offsets (X,Y)--	[3:0-0-0,0-0-0]
-----------------------	-----------------

LOADING (psf)	SPACING-	CSI.	DEFL.	PLATES	GRIP
TCLL 20.0	2-0-0	TC 0.11	in (loc) l/defl L/d	MT20	244/190
TCDL 10.0	Plate Grip DOL 1.15	BC 0.35	Vert(LL) -0.06 6-9 >999 360		
BCLL 0.0 *	Lumber DOL 1.15	WB 0.23	Vert(CT) -0.12 6-9 >999 240		
BCDL 10.0	Rep Stress Incr YES	Matrix-S	Horz(CT) 0.02 6 n/a n/a		
	Code IRC2015/TPI2014		Wind(LL) -0.01 6-9 >999 240	Weight: 141 lb	FT = 20%

LUMBER-	BRACING-
TOP CHORD 2x6 SP No.1	TOP CHORD Structural wood sheathing directly applied or 6-0-0 oc purlins.
BOT CHORD 2x6 SP No.1	BOT CHORD Rigid ceiling directly applied or 10-0-0 oc bracing.
WEBS 2x4 SP No.2	

REACTIONS. (size) 6=0-3-8, 2=0-3-8
 Max Horz 2=-183(LC 10)
 Max Uplift 6=-61(LC 13), 2=-61(LC 12)
 Max Grav 6=893(LC 1), 2=893(LC 1)

FORCES. (lb) - Max. Comp./Max. Ten. - All forces 250 (lb) or less except when shown.
 TOP CHORD 2-3=-1109/267, 3-4=-860/233, 4-5=-859/233, 5-6=-1109/267
 BOT CHORD 2-9=-99/899, 6-9=-116/863
 WEBS 4-9=-102/664, 5-9=-366/216, 3-9=-367/216

- NOTES-**
- 1) Unbalanced roof live loads have been considered for this design.
 - 2) Wind: ASCE 7-10; Vult=130mph Vasd=103mph; TCDL=6.0psf; BCDL=6.0psf; h=15ft; Cat. II; Exp C; Enclosed; MWFRS (envelope) and C-C Exterior(2) -1-1-7 to 3-3-6, Interior(1) 3-3-6 to 10-4-4, Exterior(2) 10-4-4 to 14-9-1, Interior(1) 14-9-1 to 21-9-15 zone;C-C for members and forces & MWFRS for reactions shown; Lumber DOL=1.60 plate grip DOL=1.60
 - 3) This truss has been designed for a 10.0 psf bottom chord live load nonconcurrent with any other live loads.
 - 4) * This truss has been designed for a live load of 30.0psf on the bottom chord in all areas where a rectangle 3-6-0 tall by 2-0-0 wide will fit between the bottom chord and any other members.
 - 5) Provide mechanical connection (by others) of truss to bearing plate capable of withstanding 100 lb uplift at joint(s) 6, 2.



August 15, 2023

<p>WARNING - Verify design parameters and READ NOTES ON THIS AND INCLUDED MITEK REFERENCE PAGE MII-7473 rev. 1/2/2023 BEFORE USE.</p> <p>Design valid for use only with MiTek® connectors. This design is based only upon parameters shown, and is for an individual building component, not a truss system. Before use, the building designer must verify the applicability of design parameters and properly incorporate this design into the overall building design. Bracing indicated is to prevent buckling of individual truss web and/or chord members only. Additional temporary and permanent bracing is always required for stability and to prevent collapse with possible personal injury and property damage. For general guidance regarding the fabrication, storage, delivery, erection and bracing of trusses and truss systems, see ANSI/TPH Quality Criteria and DSB-22 available from Truss Plate Institute (www.tpinst.org) and BCSI Building Component Safety Information available from the Structural Building Component Association (www.sbcacomponents.com)</p>	<p>ENGINEERING BY</p> <p>TRENCO</p> <p>A MiTek Affiliate</p> <p>818 Soundside Road Edenton, NC 27932</p>
--	---

Job J0722-3742	Truss G1GE	Truss Type GABLE	Qty 1	Ply 1	Lot 36 Liberty Meadows I60141581
-------------------	---------------	---------------------	----------	----------	-------------------------------------

Comtech, Inc. Fayetteville, NC - 28314,

8.430 s Jan 6 2022 MiTek Industries, Inc. Mon Aug 14 13:17:43 2023 Page 1
ID:r?yi3DAbxRr?CsKd7DtDjMyglnZ-RfC?PsB70Hq3NSgPqnL8w3ulTXbGKWrCDoi7J4zJC?f



Scale = 1:45.2

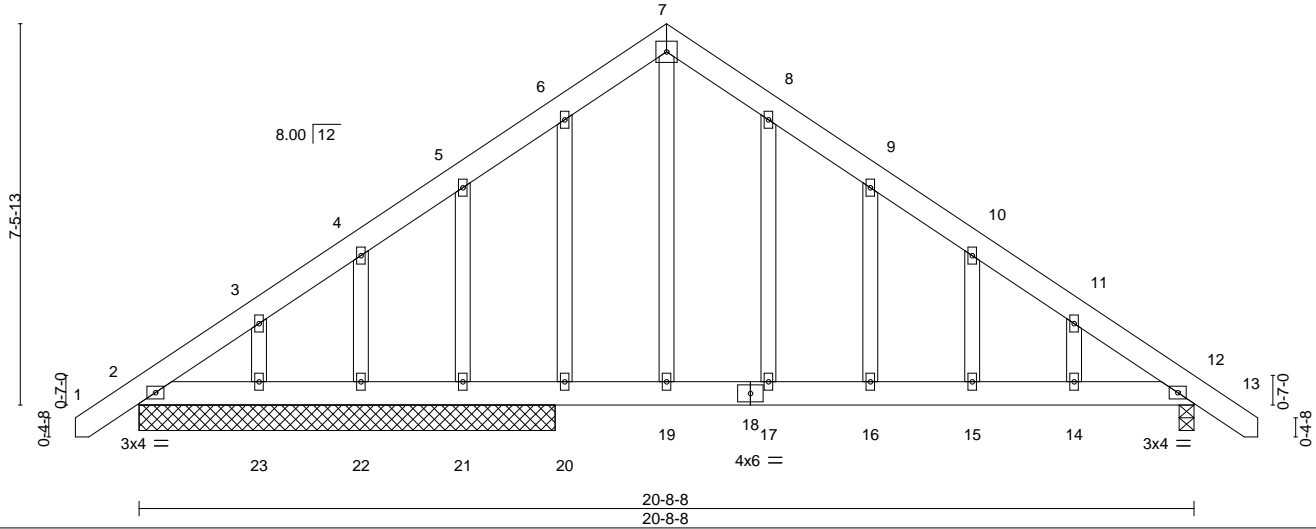


Plate Offsets (X, Y)--	[8:0-0-0,0-0-0], [9:0-0-0,0-0-0], [10:0-0-0,0-0-0], [11:0-0-0,0-0-0]
------------------------	--

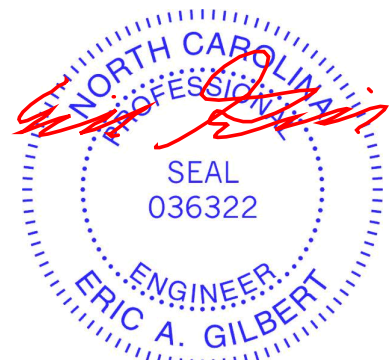
LOADING (psf)	SPACING-	CSI.	DEFL.	PLATES	GRIP
TCLL 20.0	2-0-0	TC 0.24	in (loc) l/defl L/d	MT20	244/190
TCDL 10.0	Plate Grip DOL 1.15	BC 0.36	Vert(LL) -0.09 15-16 >999 360		
BCLL 0.0 *	Lumber DOL 1.15	WB 0.16	Vert(CT) -0.19 15-16 >920 240		
BCDL 10.0	Rep Stress Incr YES	Matrix-S	Horz(CT) 0.01 12 n/a n/a		
	Code IRC2015/TPI2014		Wind(LL) 0.15 15-16 >999 240	Weight: 163 lb	FT = 20%

LUMBER-	BRACING-
TOP CHORD 2x6 SP No.1	TOP CHORD Structural wood sheathing directly applied or 6-0-0 oc purlins.
BOT CHORD 2x6 SP No.1	BOT CHORD Rigid ceiling directly applied or 10-0-0 oc bracing.
OTHERS 2x4 SP No.2	

REACTIONS. All bearings 8-2-0 except (jt=length) 12=0-3-8.
 (lb) - Max Horz 2=229(LC 11)
 Max Uplift All uplift 100 lb or less at joint(s) 23 except 2=-116(LC 13), 21=-163(LC 9), 22=-110(LC 13), 12=-216(LC 13)
 Max Grav All reactions 250 lb or less at joint(s) 21, 22, 23 except 2=582(LC 20), 12=828(LC 1)

FORCES. (lb) - Max. Comp./Max. Ten. - All forces 250 (lb) or less except when shown.
 TOP CHORD 2-3=-858/184, 3-4=-823/226, 4-5=-820/284, 5-6=-758/288, 6-7=-779/329, 7-8=-745/310, 8-9=-718/250, 9-10=-719/198, 10-11=-762/149, 11-12=-835/97
 BOT CHORD 2-23=0/589, 22-23=0/589, 21-22=0/589, 20-21=0/589, 19-20=0/589, 17-19=0/589, 16-17=0/589, 15-16=0/589, 14-15=0/589, 12-14=0/589
 WEBS 7-19=-203/524

- NOTES-**
- Unbalanced roof live loads have been considered for this design.
 - Wind: ASCE 7-10; Vult=130mph Vasd=103mph; TC DL=6.0psf; BCDL=6.0psf; h=15ft; Cat. II; Exp C; Enclosed; MWFRS (envelope) gable end zone and C-C Exterior(2) zone; C-C for members and forces & MWFRS for reactions shown; Lumber DOL=1.60 plate grip DOL=1.60
 - Truss designed for wind loads in the plane of the truss only. For studs exposed to wind (normal to the face), see Standard Industry Gable End Details as applicable, or consult qualified building designer as per ANSI/TPI 1.
 - All plates are 2x4 MT20 unless otherwise indicated.
 - Gable studs spaced at 2-0-0 oc.
 - This truss has been designed for a 10.0 psf bottom chord live load nonconcurrent with any other live loads.
 - * This truss has been designed for a live load of 30.0psf on the bottom chord in all areas where a rectangle 3-6-0 tall by 2-0-0 wide will fit between the bottom chord and any other members.
 - Provide mechanical connection (by others) of truss to bearing plate capable of withstanding 100 lb uplift at joint(s) 23 except (jt=lb) 2=116, 21=163, 22=110, 12=216.



August 15, 2023

WARNING - Verify design parameters and READ NOTES ON THIS AND INCLUDED MITEK REFERENCE PAGE MII-7473 rev. 1/2/2023 BEFORE USE.
 Design valid for use only with MiTek® connectors. This design is based only upon parameters shown, and is for an individual building component, not a truss system. Before use, the building designer must verify the applicability of design parameters and properly incorporate this design into the overall building design. Bracing indicated is to prevent buckling of individual truss web and/or chord members only. Additional temporary and permanent bracing is always required for stability and to prevent collapse with possible personal injury and property damage. For general guidance regarding the fabrication, storage, delivery, erection and bracing of trusses and truss systems, see **ANSI/TPH Quality Criteria and DSB-22** available from Truss Plate Institute (www.tpinst.org) and **BCSI Building Component Safety Information** available from the Structural Building Component Association (www.sbcacomponents.com)

ENGINEERING BY
TRENCO
 A MITek Affiliate
 818 Soundside Road
 Edenton, NC 27932

Job J0722-3742	Truss G1GRD	Truss Type Common Girder	Qty 1	Ply 2	Lot 36 Liberty Meadows Job Reference (optional)	I60141582
-------------------	----------------	-----------------------------	----------	----------	--	-----------

Comtech, Inc. Fayetteville, NC - 28314,

8.430 s Jan 6 2022 MiTek Industries, Inc. Mon Aug 14 13:17:45 2023 Page 1
ID:r?yi3DAbxRr?CsKd7DtDjMygInZ-RfC?PsB70Hq3NSgPqnL8w3uITXbGKWrCDoi7J4zJC?f



Scale = 1:44.2

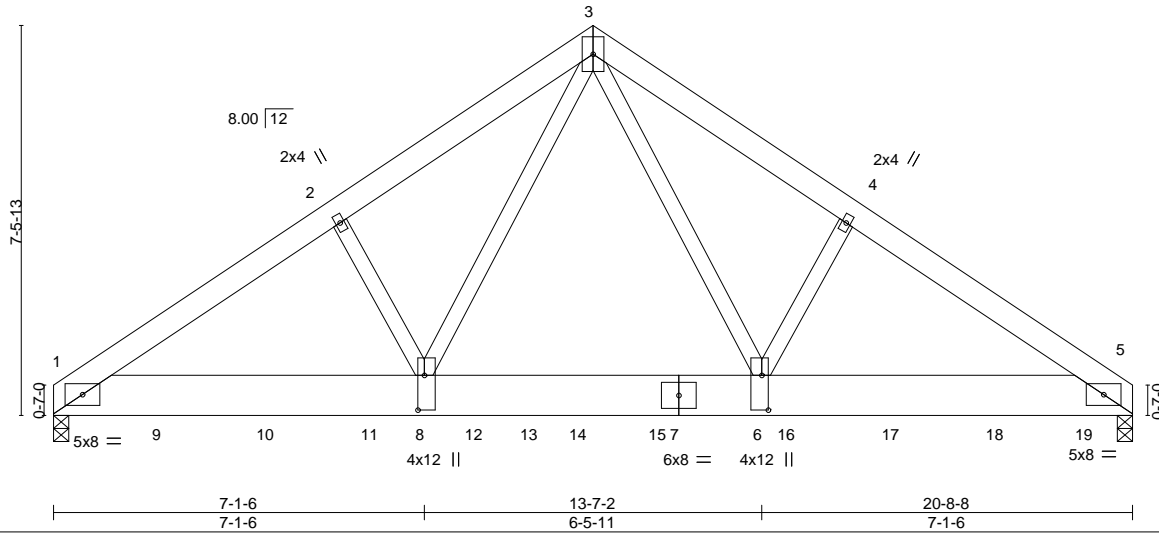


Plate Offsets (X,Y)--	[6:0-8-0,0-1-8], [8:0-8-0,0-1-8]
-----------------------	----------------------------------

LOADING (psf)	SPACING-	CSI.	DEFL.	PLATES	GRIP
TCLL 20.0	2-0-0	TC 0.27	in (loc) l/defl L/d	MT20	244/190
TCDL 10.0	Plate Grip DOL 1.15	BC 0.40	Vert(LL) -0.09 6-8 >999 360		
BCLL 0.0 *	Lumber DOL 1.15	WB 0.66	Vert(CT) -0.16 6-8 >999 240		
BCDL 10.0	Rep Stress Incr NO	Matrix-S	Horz(CT) 0.03 5 n/a n/a		
	Code IRC2015/TPI2014		Wind(LL) 0.06 6-8 >999 240	Weight: 343 lb	FT = 20%

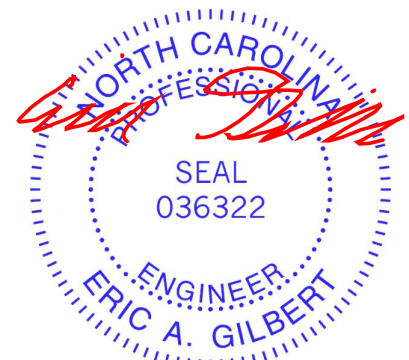
LUMBER-	BRACING-
TOP CHORD 2x6 SP No.1	TOP CHORD Structural wood sheathing directly applied or 5-4-6 oc purlins.
BOT CHORD 2x10 SP 2400F 2.0E	BOT CHORD Rigid ceiling directly applied or 10-0-0 oc bracing.
WEBS 2x4 SP No.2	

REACTIONS. (size) 1=0-3-8, 5=0-3-8
 Max Horz 1=-164(LC 25)
 Max Uplift 1=-384(LC 8), 5=-431(LC 9)
 Max Grav 1=6520(LC 2), 5=7362(LC 2)

FORCES. (lb) - Max. Comp./Max. Ten. - All forces 250 (lb) or less except when shown.
 TOP CHORD 1-2=-9012/549, 2-3=-8887/603, 3-4=-8969/608, 4-5=-9093/553
 BOT CHORD 1-8=-470/7441, 6-8=-245/5149, 5-6=-399/7512
 WEBS 3-6=-362/5348, 4-6=-306/206, 3-8=-355/5190, 2-8=-305/211

- NOTES-**
- 2-ply truss to be connected together with 10d (0.131"x3") nails as follows:
 Top chords connected as follows: 2x6 - 2 rows staggered at 0-9-0 oc.
 Bottom chords connected as follows: 2x10 - 2 rows staggered at 0-3-0 oc.
 Webs connected as follows: 2x4 - 1 row at 0-9-0 oc.
 - All loads are considered equally applied to all plies, except if noted as front (F) or back (B) face in the LOAD CASE(S) section. Ply to ply connections have been provided to distribute only loads noted as (F) or (B), unless otherwise indicated.
 - Unbalanced roof live loads have been considered for this design.
 - Wind: ASCE 7-10; Vult=130mph Vasd=103mph; TC DL=6.0psf; BCDL=6.0psf; h=15ft; Cat. II; Exp C; Enclosed; MWFRS (envelope); Lumber DOL=1.60 plate grip DOL=1.60
 - This truss has been designed for a 10.0 psf bottom chord live load nonconcurrent with any other live loads.
 - * This truss has been designed for a live load of 30.0psf on the bottom chord in all areas where a rectangle 3-6-0 tall by 2-0-0 wide will fit between the bottom chord and any other members, with BCDL = 10.0psf.
 - Provide mechanical connection (by others) of truss to bearing plate capable of withstanding 100 lb uplift at joint(s) except (jt=lb) 1=384, 5=431.
 - Hanger(s) or other connection device(s) shall be provided sufficient to support concentrated load(s) 1235 lb down and 81 lb up at 2-0-12, 1235 lb down and 81 lb up at 4-0-12, 1235 lb down and 81 lb up at 6-0-12, 1235 lb down and 81 lb up at 8-0-12, 1192 lb down and 81 lb up at 10-0-12, 1224 lb down and 81 lb up at 12-0-12, 1246 lb down and 81 lb up at 14-0-12, 1246 lb down and 81 lb up at 16-0-12, and 1246 lb down and 81 lb up at 18-0-12, and 1248 lb down and 79 lb up at 19-9-4 on bottom chord. The design/selection of such connection device(s) is the responsibility of others.

LOAD CASE(S) Standard
 1) Dead + Roof Live (balanced): Lumber Increase=1.15, Plate Increase=1.15
 Uniform Loads (plf)
 Vert: 1-3=-60, 3-5=-60, 1-5=-20



August 15, 2023

Continued on page 2

<p>WARNING - Verify design parameters and READ NOTES ON THIS AND INCLUDED MITEK REFERENCE PAGE MII-7473 rev. 1/2/2023 BEFORE USE. Design valid for use only with MiTek® connectors. This design is based only upon parameters shown, and is for an individual building component, not a truss system. Before use, the building designer must verify the applicability of design parameters and properly incorporate this design into the overall building design. Bracing indicated is to prevent buckling of individual truss web and/or chord members only. Additional temporary and permanent bracing is always required for stability and to prevent collapse with possible personal injury and property damage. For general guidance regarding the fabrication, storage, delivery, erection and bracing of trusses and truss systems, see ANSI/TPH Quality Criteria and DSB-22 available from Truss Plate Institute (www.tpinst.org) and BCSI Building Component Safety Information available from the Structural Building Component Association (www.sbcacomponents.com)</p>	<p>ENGINEERING BY TRENCO A MiTek Affiliate</p> <p>818 Soundside Road Edenton, NC 27932</p>
--	--

Job J0722-3742	Truss G1GRD	Truss Type Common Girder	Qty 1	Ply 2	Lot 36 Liberty Meadows Job Reference (optional)	I60141582
-------------------	----------------	-----------------------------	----------	-----------------	--	-----------

Comtech, Inc. Fayetteville, NC - 28314,

8.430 s Jan 6 2022 MiTek Industries, Inc. Mon Aug 14 13:17:45 2023 Page 2
ID:r?yi3DAbxRr?CsKd7DtDjMygInZ-RfC?PsB70Hq3NSgPqnL8w3ulTXbGKWrCDoi7J4zJC?f

LOAD CASE(S) Standard

Concentrated Loads (lb)

Vert: 7=-1155(B) 9=-1155(B) 10=-1155(B) 11=-1155(B) 12=-1155(B) 14=-1155(B) 16=-1155(B) 17=-1155(B) 18=-1155(B) 19=-1157(B)

WARNING - Verify design parameters and READ NOTES ON THIS AND INCLUDED MITEK REFERENCE PAGE MII-7473 rev. 1/2/2023 BEFORE USE.

Design valid for use only with MiTek® connectors. This design is based only upon parameters shown, and is for an individual building component, not a truss system. Before use, the building designer must verify the applicability of design parameters and properly incorporate this design into the overall building design. Bracing indicated is to prevent buckling of individual truss web and/or chord members only. Additional temporary and permanent bracing is always required for stability and to prevent collapse with possible personal injury and property damage. For general guidance regarding the fabrication, storage, delivery, erection and bracing of trusses and truss systems, see **ANSI/TP1 Quality Criteria and DSB-22** available from Truss Plate Institute (www.tpinst.org) and **BCSI Building Component Safety Information** available from the Structural Building Component Association (www.sbcacomponents.com)

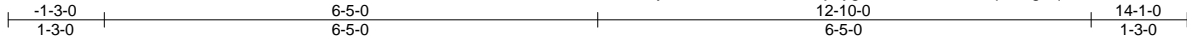


818 Soundside Road
Edenton, NC 27932

Job J0722-3742	Truss H1GE	Truss Type GABLE	Qty 1	Ply 1	Lot 36 Liberty Meadows I60141583
-------------------	---------------	---------------------	----------	----------	-------------------------------------

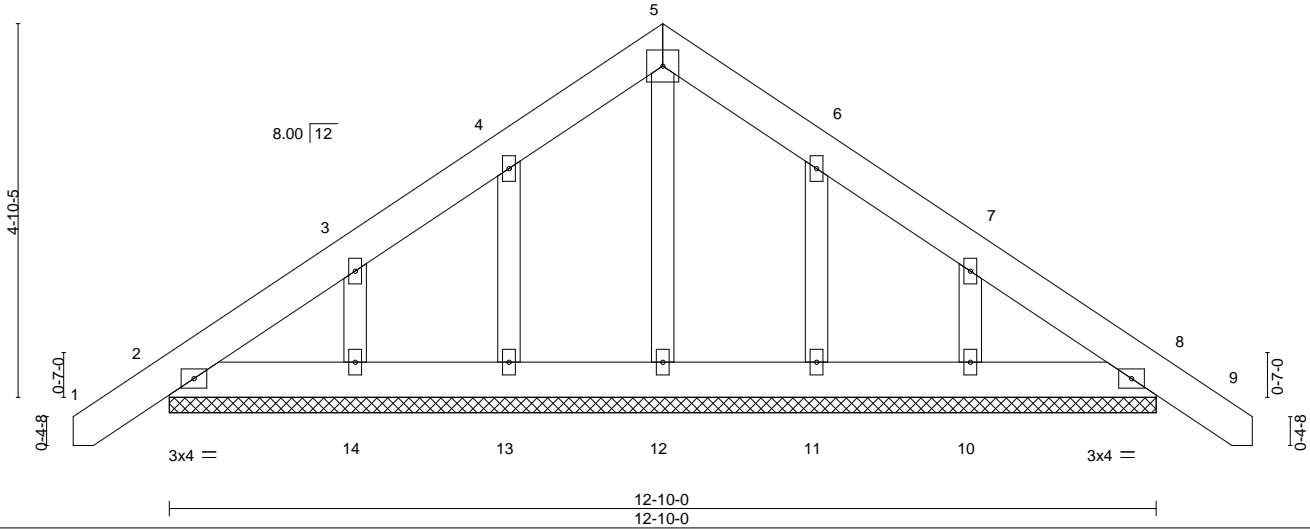
Comtech, Inc. Fayetteville, NC - 28314,

8.430 s Jan 6 2022 MiTek Industries, Inc. Mon Aug 14 13:17:46 2023 Page 1
ID:r?yi3DAbxRr?CsKd7DtDjMyglnZ-RfC?PsB70Hq3NSgPqnL8w3ulTXbGKWrCDoi7J4zJC?f



5x5 =

Scale = 1:30.0



LOADING (psf)	SPACING-	2-0-0	CSI.	DEFL.	in (loc)	l/defl	L/d	PLATES	GRIP
TCLL 20.0	Plate Grip DOL	1.15	TC 0.03	Vert(LL)	-0.00	8	n/r	MT20	244/190
TCDL 10.0	Lumber DOL	1.15	BC 0.01	Vert(CT)	-0.00	8	n/r		
BCLL 0.0 *	Rep Stress Incr	YES	WB 0.03	Horz(CT)	0.00	8	n/a		
BCDL 10.0	Code IRC2015/TPI2014		Matrix-S						
								Weight: 91 lb	FT = 20%

LUMBER-
TOP CHORD 2x6 SP No.1
BOT CHORD 2x6 SP No.1
OTHERS 2x4 SP No.2

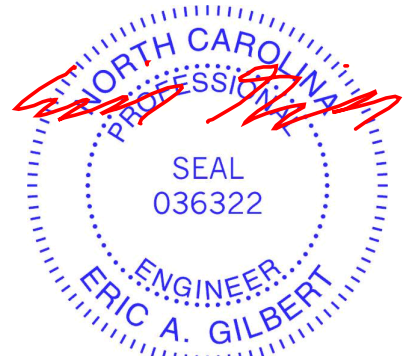
BRACING-
TOP CHORD Structural wood sheathing directly applied or 6-0-0 oc purlins.
BOT CHORD Rigid ceiling directly applied or 10-0-0 oc bracing.

REACTIONS. All bearings 12-10-0.
(lb) - Max Horz 2=151(LC 11)
Max Uplift All uplift 100 lb or less at joint(s) 2, 8, 13, 11 except 14=101(LC 12), 10=101(LC 13)
Max Grav All reactions 250 lb or less at joint(s) 2, 8, 12, 13, 14, 11, 10

FORCES. (lb) - Max. Comp./Max. Ten. - All forces 250 (lb) or less except when shown.

NOTES-

- 1) Unbalanced roof live loads have been considered for this design.
- 2) Wind: ASCE 7-10; Vult=130mph Vasd=103mph; TC DL=6.0psf; BCDL=6.0psf; h=15ft; Cat. II; Exp C; Enclosed; MWFRS (envelope) gable end zone and C-C Exterior(2) zone; C-C for members and forces & MWFRS for reactions shown; Lumber DOL=1.60 plate grip DOL=1.60
- 3) Truss designed for wind loads in the plane of the truss only. For studs exposed to wind (normal to the face), see Standard Industry Gable End Details as applicable, or consult qualified building designer as per ANSI/TPI 1.
- 4) All plates are 2x4 MT20 unless otherwise indicated.
- 5) Gable requires continuous bottom chord bearing.
- 6) Gable studs spaced at 2-0-0 oc.
- 7) This truss has been designed for a 10.0 psf bottom chord live load nonconcurrent with any other live loads.
- 8) * This truss has been designed for a live load of 30.0psf on the bottom chord in all areas where a rectangle 3-6-0 tall by 2-0-0 wide will fit between the bottom chord and any other members.
- 9) Provide mechanical connection (by others) of truss to bearing plate capable of withstanding 100 lb uplift at joint(s) 2, 8, 13, 11 except (jt=lb) 14=101, 10=101.



August 15, 2023

WARNING - Verify design parameters and READ NOTES ON THIS AND INCLUDED MITEK REFERENCE PAGE MII-7473 rev. 1/2/2023 BEFORE USE.

Design valid for use only with MiTek® connectors. This design is based only upon parameters shown, and is for an individual building component, not a truss system. Before use, the building designer must verify the applicability of design parameters and properly incorporate this design into the overall building design. Bracing indicated is to prevent buckling of individual truss web and/or chord members only. Additional temporary and permanent bracing is always required for stability and to prevent collapse with possible personal injury and property damage. For general guidance regarding the fabrication, storage, delivery, erection and bracing of trusses and truss systems, see **ANSI/TPI1 Quality Criteria and DSB-22** available from Truss Plate Institute (www.tpinst.org) and **BCSI Building Component Safety Information** available from the Structural Building Component Association (www.sbcacomponents.com)



818 Soundside Road
Edenton, NC 27932

Job J0722-3742	Truss K1	Truss Type SCISSORS	Qty 1	Ply 1	Lot 36 Liberty Meadows Job Reference (optional)	160141584
-------------------	-------------	------------------------	----------	----------	--	-----------

Comtech, Inc. Fayetteville, NC - 28314,

8.430 s Jan 6 2022 MiTek Industries, Inc. Mon Aug 14 13:17:47 2023 Page 1
ID:r?yi3DAbxRr?CsKd7DtDjMyglnZ-RfC?PsB70Hq3NSgPqnL8w3ulTXbGKWrCDoi7J4zJC?f



5x5 =

Scale = 1:42.1

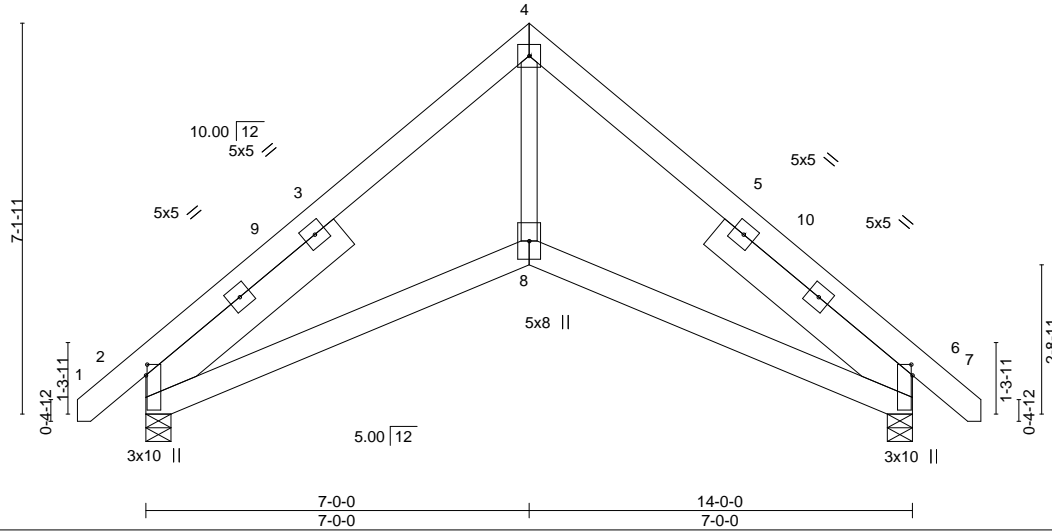


Plate Offsets (X,Y)--	[2:0-2-6,0-0-4], [6:0-2-6,0-0-4]
-----------------------	----------------------------------

LOADING (psf)	SPACING-	CSI.	DEFL.	PLATES	GRIP
TCLL 20.0	2-0-0	TC 0.17	in (loc) l/defl L/d	MT20	244/190
TCDL 10.0	Plate Grip DOL 1.15	BC 0.15	Vert(LL) -0.02 6-8 >999 360		
BCLL 0.0 *	Lumber DOL 1.15	WB 0.14	Vert(CT) -0.04 6-8 >999 240		
BCDL 10.0	Rep Stress Incr YES	Matrix-S	Horz(CT) 0.02 6 n/a n/a		
	Code IRC2015/TPI2014		Wind(LL) -0.02 8 >999 240	Weight: 121 lb	FT = 20%

LUMBER-	BRACING-
TOP CHORD 2x6 SP No.1	TOP CHORD Structural wood sheathing directly applied or 6-0-0 oc purlins.
BOT CHORD 2x6 SP No.1	BOT CHORD Rigid ceiling directly applied or 10-0-0 oc bracing.
WEBS 2x4 SP No.2	
SLIDER Left 2x8 SP No.1 4-8-10, Right 2x8 SP No.1 4-8-10	

REACTIONS. (size) 2=0-5-8, 6=0-5-8
 Max Horz 2=162(LC 11)
 Max Uplift 2=-37(LC 12), 6=-37(LC 13)
 Max Grav 2=624(LC 1), 6=624(LC 1)

FORCES. (lb) - Max. Comp./Max. Ten. - All forces 250 (lb) or less except when shown.
 TOP CHORD 2-4=-817/105, 4-6=-823/106
 BOT CHORD 2-8=-14/616, 6-8=-6/610
 WEBS 4-8=0/589

- NOTES-**
- 1) Unbalanced roof live loads have been considered for this design.
 - 2) Wind: ASCE 7-10; Vult=130mph Vasd=103mph; TCDL=6.0psf; BCDL=6.0psf; h=15ft; Cat. II; Exp C; Enclosed; MWFRS (envelope) and C-C Exterior(2) -1-1-9 to 3-3-4, Interior(1) 3-3-4 to 7-0-0, Exterior(2) 7-0-0 to 11-4-13, Interior(1) 11-4-13 to 15-1-9 zone; C-C for members and forces & MWFRS for reactions shown; Lumber DOL=1.60 plate grip DOL=1.60
 - 3) This truss has been designed for a 10.0 psf bottom chord live load nonconcurrent with any other live loads.
 - 4) * This truss has been designed for a live load of 30.0psf on the bottom chord in all areas where a rectangle 3-6-0 tall by 2-0-0 wide will fit between the bottom chord and any other members.
 - 5) Bearing at joint(s) 2, 6 considers parallel to grain value using ANSI/TPI 1 angle to grain formula. Building designer should verify capacity of bearing surface.
 - 6) Provide mechanical connection (by others) of truss to bearing plate capable of withstanding 100 lb uplift at joint(s) 2, 6.
 - 7) See Standard Industry Piggyback Truss Connection Detail for Connection to base truss as applicable, or consult qualified building designer.



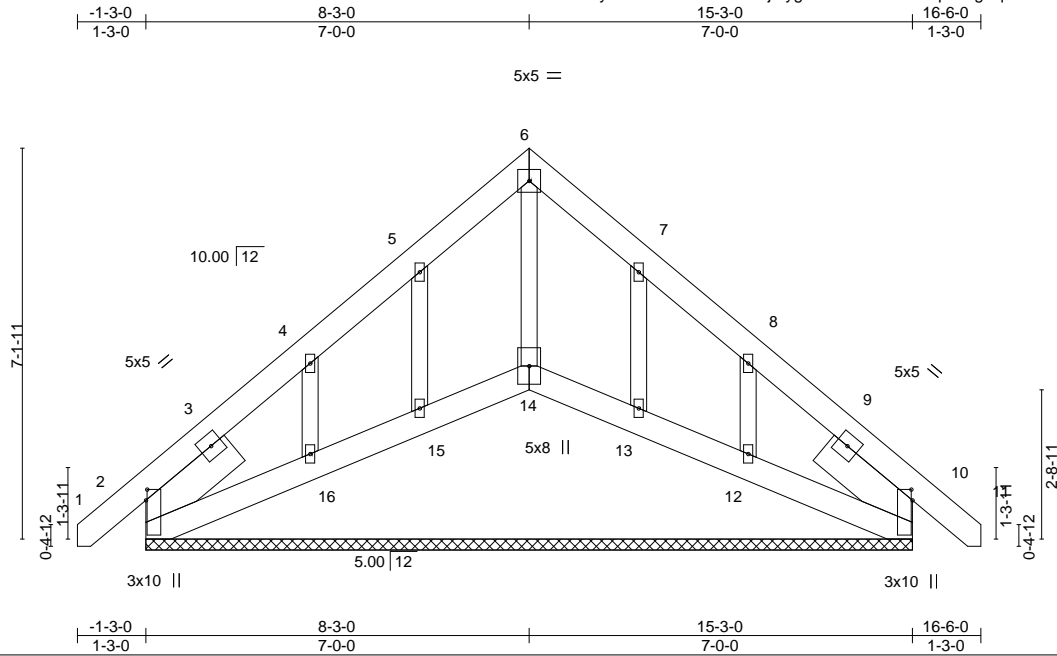
August 15, 2023

<p>WARNING - Verify design parameters and READ NOTES ON THIS AND INCLUDED MITEK REFERENCE PAGE MII-7473 rev. 1/2/2023 BEFORE USE.</p> <p>Design valid for use only with MiTek® connectors. This design is based only upon parameters shown, and is for an individual building component, not a truss system. Before use, the building designer must verify the applicability of design parameters and properly incorporate this design into the overall building design. Bracing indicated is to prevent buckling of individual truss web and/or chord members only. Additional temporary and permanent bracing is always required for stability and to prevent collapse with possible personal injury and property damage. For general guidance regarding the fabrication, storage, delivery, erection and bracing of trusses and truss systems, see ANSI/TPH Quality Criteria and DSB-22 available from Truss Plate Institute (www.tpinst.org) and BCSI Building Component Safety Information available from the Structural Building Component Association (www.sbcacomponents.com)</p>	<p>ENGINEERING BY</p> <p>TRENCO</p> <p>A MiTek Affiliate</p> <p>818 Soundside Road Edenton, NC 27932</p>
--	---

Job J0722-3742	Truss K1GE	Truss Type GABLE	Qty 1	Ply 1	Lot 36 Liberty Meadows Job Reference (optional)	60141585
-------------------	---------------	---------------------	----------	----------	--	----------

Comtech, Inc. Fayetteville, NC - 28314,

8.430 s Jan 6 2022 MiTek Industries, Inc. Mon Aug 14 13:17:48 2023 Page 1
ID:r?yi3DAbxRr?CsKd7DtDjMygInZ-RfC?PsB70Hq3NSgPqnL8w3ulTXbGKWRCDoi7J4zJC?f



Scale = 1:42.1

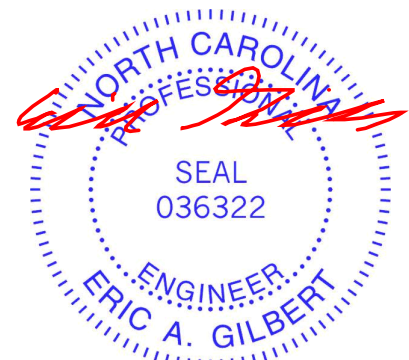
Plate Offsets (X,Y)--	[2:0-2-6,0-0-4], [10:0-2-6,0-0-4]				
LOADING (psf)	SPACING- 2-0-0	CSI.	DEFL. in (loc) l/defl L/d	PLATES	GRIP
TCLL 20.0	Plate Grip DOL 1.15	TC 0.05	Vert(LL) -0.00 10 n/r 120	MT20	244/190
TCDL 10.0	Lumber DOL 1.15	BC 0.03	Vert(CT) -0.00 10 n/r 120		
BCLL 0.0 *	Rep Stress Incr YES	WB 0.05	Horz(CT) 0.00 10 n/a n/a		
BCDL 10.0	Code IRC2015/TPI2014	Matrix-S			
				Weight: 119 lb	FT = 20%

LUMBER-	BRACING-
TOP CHORD 2x6 SP No.1	TOP CHORD Structural wood sheathing directly applied or 6-0-0 oc purlins.
BOT CHORD 2x6 SP No.1	BOT CHORD Rigid ceiling directly applied or 10-0-0 oc bracing.
OTHERS 2x4 SP No.2	
SLIDER Left 2x8 SP No.1 2-1-6, Right 2x8 SP No.1 2-1-6	

REACTIONS. All bearings 14-0-0.
 (lb) - Max Horz 2=203(LC 11)
 Max Uplift All uplift 100 lb or less at joint(s) 14, 10, 15, 13 except 2=-136(LC 13), 16=-219(LC 12), 12=-206(LC 13)
 Max Grav All reactions 250 lb or less at joint(s) 10, 15, 13, 12 except 2=272(LC 20), 14=319(LC 13), 16=265(LC 19)

FORCES. (lb) - Max. Comp./Max. Ten. - All forces 250 (lb) or less except when shown.

- NOTES-**
- Unbalanced roof live loads have been considered for this design.
 - Wind: ASCE 7-10; Vult=130mph Vasd=103mph; TCDL=6.0psf; BCDL=6.0psf; h=15ft; Cat. II; Exp C; Enclosed; MWFRS (envelope) gable end zone and C-C Exterior(2) zone; C-C for members and forces & MWFRS for reactions shown; Lumber DOL=1.60 plate grip DOL=1.60
 - Truss designed for wind loads in the plane of the truss only. For studs exposed to wind (normal to the face), see Standard Industry Gable End Details as applicable, or consult qualified building designer as per ANSI/TPI 1.
 - All plates are 2x4 MT20 unless otherwise indicated.
 - Gable requires continuous bottom chord bearing.
 - Gable studs spaced at 2-0-0 oc.
 - This truss has been designed for a 10.0 psf bottom chord live load nonconcurrent with any other live loads.
 - * This truss has been designed for a live load of 30.0psf on the bottom chord in all areas where a rectangle 3-6-0 tall by 2-0-0 wide will fit between the bottom chord and any other members.
 - Provide mechanical connection (by others) of truss to bearing plate capable of withstanding 100 lb uplift at joint(s) 14, 10, 15, 13 except (jt=lb) 2=136, 16=219, 12=206.
 - See Standard Industry Piggyback Truss Connection Detail for Connection to base truss as applicable, or consult qualified building designer.

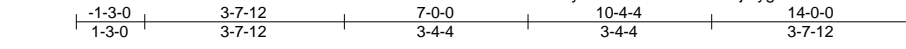


August 15, 2023

Job J0722-3742	Truss K2	Truss Type SCISSORS	Qty 2	Ply 1	Lot 36 Liberty Meadows 160141586
-------------------	-------------	------------------------	----------	----------	-------------------------------------

Comtech, Inc. Fayetteville, NC - 28314,

8.430 s Jan 6 2022 MiTek Industries, Inc. Mon Aug 14 13:17:49 2023 Page 1
ID:r?yi3DAbxRr?CsKd7DtDjMygInZ-RfC?PsB70Hq3NSgPqnL8w3ulTXbGKWRCDoi7J4zJC?f



5x5 =

Scale = 1:42.1

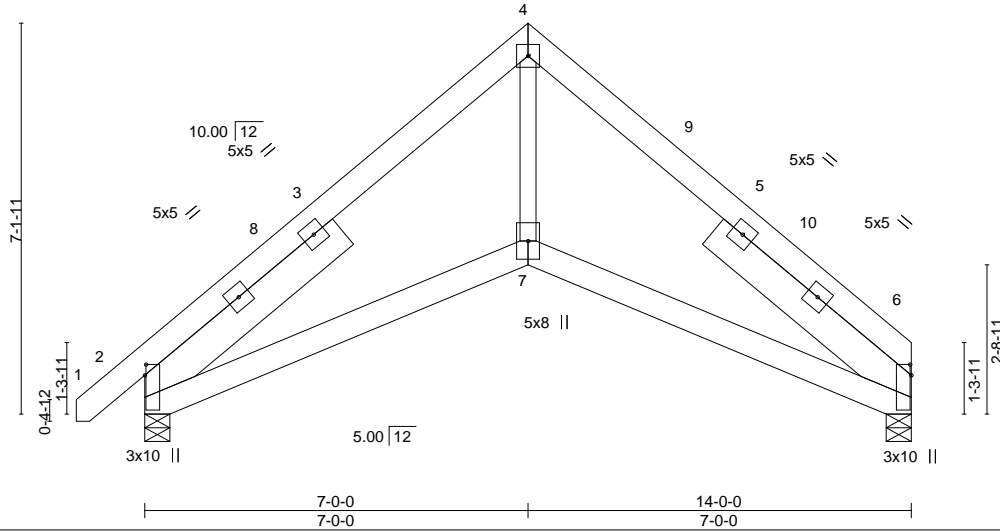


Plate Offsets (X,Y)--	[2:0-2-6,0-0-4], [6:0-2-6,0-0-4]
-----------------------	----------------------------------

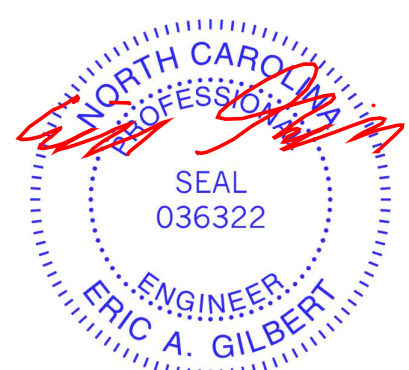
LOADING (psf)	SPACING-	CSI.	DEFL.	PLATES	GRIP
TCLL 20.0	2-0-0	TC 0.18	in (loc) l/defl L/d	MT20	244/190
TCDL 10.0	Plate Grip DOL 1.15	BC 0.15	Vert(LL) -0.02 6-7 >999 360		
BCLL 0.0 *	Lumber DOL 1.15	WB 0.14	Vert(CT) -0.04 6-7 >999 240		
BCDL 10.0	Rep Stress Incr YES	Matrix-S	Horz(CT) 0.02 6 n/a n/a		
	Code IRC2015/TPI2014		Wind(LL) -0.02 7 >999 240	Weight: 118 lb	FT = 20%

LUMBER-	BRACING-
TOP CHORD 2x6 SP No.1	TOP CHORD Structural wood sheathing directly applied or 6-0-0 oc purlins.
BOT CHORD 2x6 SP No.1	BOT CHORD Rigid ceiling directly applied or 10-0-0 oc bracing.
WEBS 2x4 SP No.2	
SLIDER Left 2x8 SP No.1 4-8-10, Right 2x8 SP No.1 4-8-10	

REACTIONS. (size) 6=0-5-8, 2=0-5-8
 Max Horz 2=162(LC 9)
 Max Uplift 6=-18(LC 13), 2=-37(LC 12)
 Max Grav 6=542(LC 1), 2=628(LC 1)

FORCES. (lb) - Max. Comp./Max. Ten. - All forces 250 (lb) or less except when shown.
 TOP CHORD 2-4=-827/110, 4-6=-831/115
 BOT CHORD 2-7=-16/620, 6-7=-8/615
 WEBS 4-7=0/593

- NOTES-**
- 1) Unbalanced roof live loads have been considered for this design.
 - 2) Wind: ASCE 7-10; Vult=130mph Vasd=103mph; TCDL=6.0psf; BCDL=6.0psf; h=15ft; Cat. II; Exp C; Enclosed; MWFRS (envelope) and C-C Exterior(2) -1-1-9 to 3-3-4, Interior(1) 3-3-4 to 7-0-0, Exterior(2) 7-0-0 to 11-4-13, Interior(1) 11-4-13 to 13-9-14 zone; C-C for members and forces & MWFRS for reactions shown; Lumber DOL=1.60 plate grip DOL=1.60
 - 3) This truss has been designed for a 10.0 psf bottom chord live load nonconcurrent with any other live loads.
 - 4) * This truss has been designed for a live load of 30.0psf on the bottom chord in all areas where a rectangle 3-6-0 tall by 2-0-0 wide will fit between the bottom chord and any other members.
 - 5) Bearing at joint(s) 6, 2 considers parallel to grain value using ANSI/TPI 1 angle to grain formula. Building designer should verify capacity of bearing surface.
 - 6) Provide mechanical connection (by others) of truss to bearing plate capable of withstanding 100 lb uplift at joint(s) 6, 2.
 - 7) See Standard Industry Piggyback Truss Connection Detail for Connection to base truss as applicable, or consult qualified building designer.



August 15, 2023

<p>WARNING - Verify design parameters and READ NOTES ON THIS AND INCLUDED MITEK REFERENCE PAGE MII-7473 rev. 1/2/2023 BEFORE USE.</p> <p>Design valid for use only with MiTek® connectors. This design is based only upon parameters shown, and is for an individual building component, not a truss system. Before use, the building designer must verify the applicability of design parameters and properly incorporate this design into the overall building design. Bracing indicated is to prevent buckling of individual truss web and/or chord members only. Additional temporary and permanent bracing is always required for stability and to prevent collapse with possible personal injury and property damage. For general guidance regarding the fabrication, storage, delivery, erection and bracing of trusses and truss systems, see ANSI/TPH Quality Criteria and DSB-22 available from Truss Plate Institute (www.tpinst.org) and BCSI Building Component Safety Information available from the Structural Building Component Association (www.sbcacomponents.com)</p>	<p>ENGINEERING BY</p> <p>TRENCO</p> <p>A MiTek Affiliate</p> <p>818 Soundside Road Edenton, NC 27932</p>
--	---

Job J0722-3742	Truss K3	Truss Type SCISSORS	Qty 4	Ply 1	Lot 36 Liberty Meadows 160141587
-------------------	-------------	------------------------	----------	----------	-------------------------------------

Comtech, Inc. Fayetteville, NC - 28314,

8,430 s Jan 6 2022 MiTek Industries, Inc. Mon Aug 14 13:17:50 2023 Page 1
ID:r?yi3DAbxRr?CsKd7DtDjMygInZ-RfC?PsB70Hq3NSgPqnL8w3ulTXbGKWrCDoi7J4zJC?f

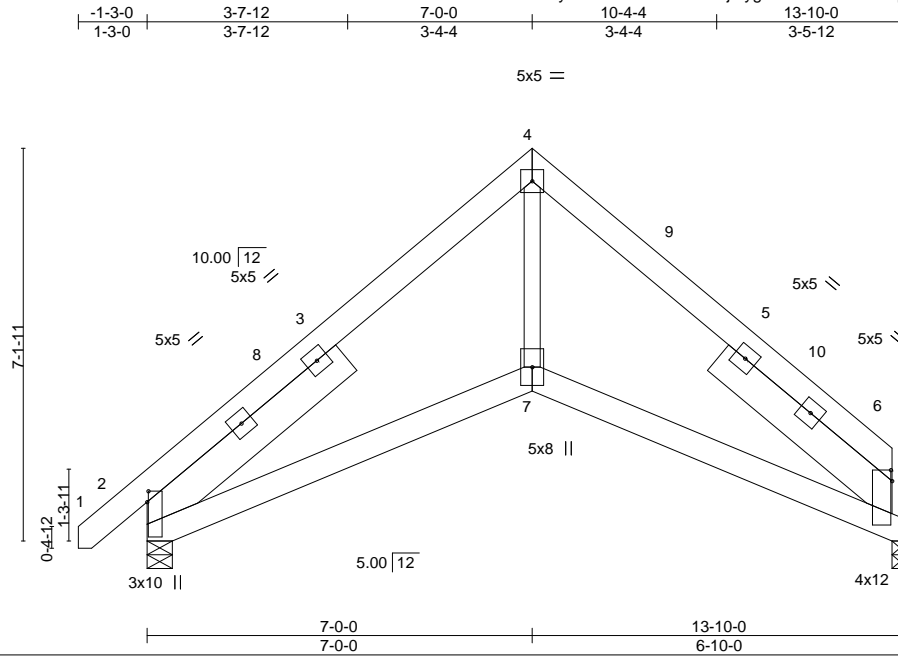


Plate Offsets (X, Y)--	[2:0-2-6,0-0-4], [6:0-2-6,0-0-4]
------------------------	----------------------------------

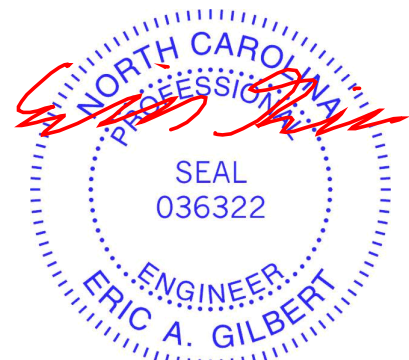
LOADING (psf)	SPACING-	CSI.	DEFL.	PLATES	GRIP
TCLL 20.0	2-0-0	TC 0.17	in (loc) l/defl L/d	MT20	244/190
TCDL 10.0	Plate Grip DOL 1.15	BC 0.15	Vert(LL) -0.02 2-7 >999 360		
BCLL 0.0 *	Lumber DOL 1.15	WB 0.13	Vert(CT) -0.04 2-7 >999 240		
BCDL 10.0	Rep Stress Incr YES	Matrix-S	Horz(CT) 0.02 6 n/a n/a		
	Code IRC2015/TPI2014		Wind(LL) -0.02 7 >999 240	Weight: 115 lb	FT = 20%

LUMBER-	BRACING-
TOP CHORD 2x6 SP No.1	TOP CHORD Structural wood sheathing directly applied or 6-0-0 oc purlins.
BOT CHORD 2x6 SP No.1	BOT CHORD Rigid ceiling directly applied or 10-0-0 oc bracing.
WEBS 2x4 SP No.2	
SLIDER Left 2x8 SP No.1 4-8-10, Right 2x8 SP No.1 4-2-15	

REACTIONS.	(size)
Max Horz	2=162(LC 9)
Max Uplift	2=-37(LC 12), 6=-18(LC 12)
Max Grav	2=610(LC 1), 6=524(LC 1)

FORCES.	(lb) - Max. Comp./Max. Ten. - All forces 250 (lb) or less except when shown.
TOP CHORD	2-4=-778/109, 4-6=-799/121
BOT CHORD	2-7=-22/581, 6-7=-14/573
WEBS	4-7=0/556

- NOTES-**
- 1) Unbalanced roof live loads have been considered for this design.
 - 2) Wind: ASCE 7-10; Vult=130mph Vasd=103mph; TCDL=6.0psf; BCDL=6.0psf; h=15ft; Cat. II; Exp C; Enclosed; MWFRS (envelope) and C-C Exterior(2) -1-1-9 to 3-3-4, Interior(1) 3-3-4 to 7-0-0, Exterior(2) 7-0-0 to 11-4-13, Interior(1) 11-4-13 to 13-4-6 zone; C-C for members and forces & MWFRS for reactions shown; Lumber DOL=1.60 plate grip DOL=1.60
 - 3) This truss has been designed for a 10.0 psf bottom chord live load nonconcurrent with any other live loads.
 - 4) * This truss has been designed for a live load of 30.0psf on the bottom chord in all areas where a rectangle 3-6-0 tall by 2-0-0 wide will fit between the bottom chord and any other members.
 - 5) Bearing at joint(s) 2, 6 considers parallel to grain value using ANSI/TPI 1 angle to grain formula. Building designer should verify capacity of bearing surface.
 - 6) Provide mechanical connection (by others) of truss to bearing plate capable of withstanding 100 lb uplift at joint(s) 2, 6.
 - 7) See Standard Industry Piggyback Truss Connection Detail for Connection to base truss as applicable, or consult qualified building designer.

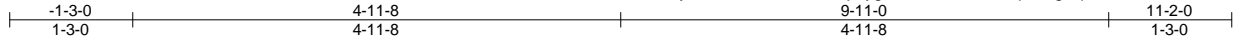


August 15, 2023

Job	Truss	Truss Type	Qty	Ply	Lot 36 Liberty Meadows	I60141588
J0722-3742	P1	COMMON	4	1		

Comtech, Inc. Fayetteville, NC - 28314,

8.430 s Jan 6 2022 MiTek Industries, Inc. Mon Aug 14 13:17:51 2023 Page 1
 ID:r?yi3DAbxRr?CsKd7DtDjMyglnZ-RfC?PsB70Hq3NSgPqnL8w3ulTXbGKWrCDoi7J4zJC?f



Scale = 1:23.4

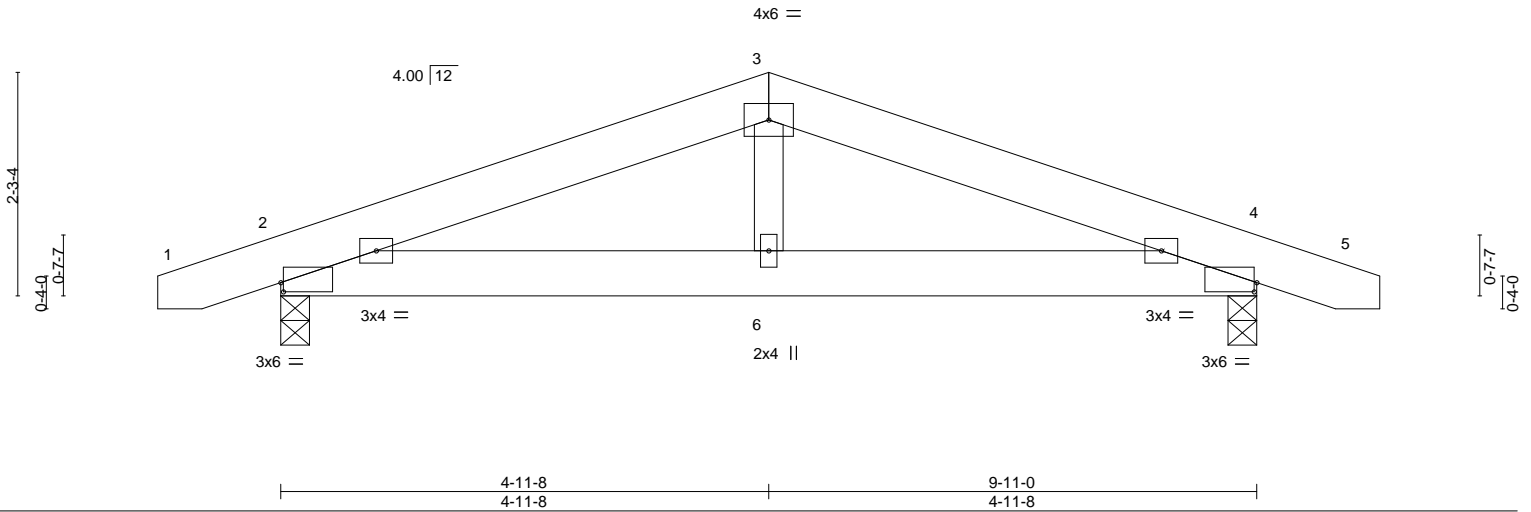


Plate Offsets (X,Y)--	[2:0-0-5,0-1-2], [4:0-0-5,0-1-2]
-----------------------	----------------------------------

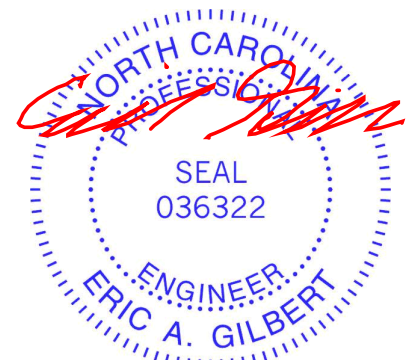
LOADING (psf)	SPACING-	CSI.	DEFL.	PLATES	GRIP
TCLL 20.0	2-0-0	TC 0.13	in (loc) l/defl L/d	MT20	244/190
TCDL 10.0	Plate Grip DOL 1.15	BC 0.11	Vert(LL) 0.02 4-6 >999 240		
BCLL 0.0 *	Lumber DOL 1.15	WB 0.05	Vert(CT) -0.01 6 >999 240		
BCDL 10.0	Rep Stress Incr YES	Matrix-S	Horz(CT) -0.00 4 n/a n/a		
	Code IRC2015/TPI2014			Weight: 56 lb	FT = 20%

LUMBER-	BRACING-
TOP CHORD 2x6 SP No.1	TOP CHORD Structural wood sheathing directly applied or 6-0-0 oc purlins.
BOT CHORD 2x6 SP No.1	BOT CHORD Rigid ceiling directly applied or 9-8-3 oc bracing.
WEBS 2x4 SP No.2	

REACTIONS. (size) 2=0-3-8, 4=0-3-8
 Max Horz 2=40(LC 16)
 Max Uplift 2=-258(LC 8), 4=-258(LC 9)
 Max Grav 2=455(LC 1), 4=455(LC 1)

FORCES. (lb) - Max. Comp./Max. Ten. - All forces 250 (lb) or less except when shown.
 TOP CHORD 2-3=-633/757, 3-4=-633/757
 BOT CHORD 2-6=-636/545, 4-6=-636/545
 WEBS 3-6=-281/219

- NOTES-**
- Unbalanced roof live loads have been considered for this design.
 - Wind: ASCE 7-10; Vult=130mph Vasd=103mph; TCDL=6.0psf; BCDL=6.0psf; h=15ft; Cat. II; Exp C; Enclosed; MWFRS (envelope) gable end zone and C-C Exterior(2) zone; porch left and right exposed; C-C for members and forces & MWFRS for reactions shown; Lumber DOL=1.60 plate grip DOL=1.60
 - This truss has been designed for a 10.0 psf bottom chord live load nonconcurrent with any other live loads.
 - * This truss has been designed for a live load of 30.0psf on the bottom chord in all areas where a rectangle 3-6-0 tall by 2-0-0 wide will fit between the bottom chord and any other members.
 - Provide mechanical connection (by others) of truss to bearing plate capable of withstanding 100 lb uplift at joint(s) except (jt=lb) 2=258, 4=258.
 - See Standard Industry Piggyback Truss Connection Detail for Connection to base truss as applicable, or consult qualified building designer.



August 15, 2023

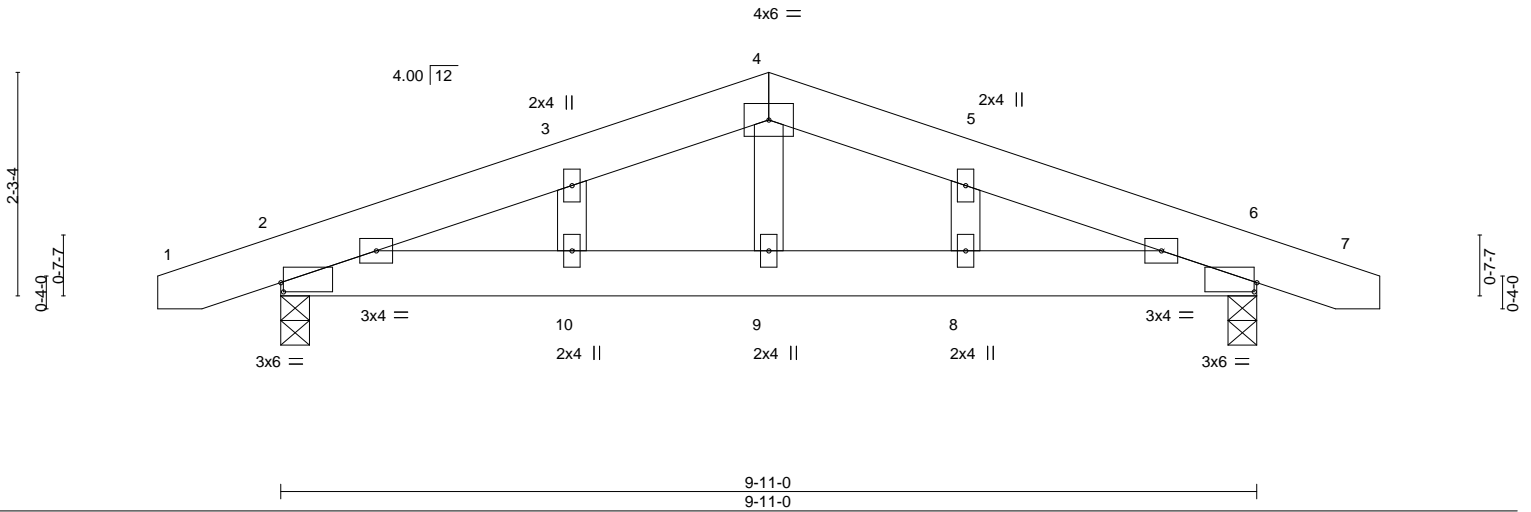
Job	Truss	Truss Type	Qty	Ply	Lot 36 Liberty Meadows	I60141589
J0722-3742	P1GE	COMMON SUPPORTED GAB	1	1		

Comtech, Inc. Fayetteville, NC - 28314,

8.430 s Jan 6 2022 MiTek Industries, Inc. Mon Aug 14 13:17:52 2023 Page 1
 ID:r?yi3DAbxRr?CsKd7DtDjMygInZ-RfC?PsB70Hq3NSgPqnL8w3ulTXbGKWrCDoi7J4zJC?f



Scale = 1:23.4



LOADING (psf)	SPACING-	2-0-0	CSI.	DEFL.	in (loc)	l/defl	L/d	PLATES	GRIP
TCLL 20.0	Plate Grip DOL	1.15	TC 0.10	Vert(LL)	0.02	8	>999	MT20	244/190
TCDL 10.0	Lumber DOL	1.15	BC 0.11	Vert(CT)	-0.01	10	>999		
BCLL 0.0 *	Rep Stress Incr	YES	WB 0.04	Horz(CT)	-0.00	6	n/a		
BCDL 10.0	Code	IRC2015/TPI2014	Matrix-S						
								Weight: 58 lb	FT = 20%

LUMBER-
 TOP CHORD 2x6 SP No.1
 BOT CHORD 2x6 SP No.1
 OTHERS 2x4 SP No.2

BRACING-
 TOP CHORD Structural wood sheathing directly applied or 6-0-0 oc purlins.
 BOT CHORD Rigid ceiling directly applied or 9-9-4 oc bracing.

REACTIONS. (size) 2=0-3-8, 6=0-3-8
 Max Horz 2=40(LC 16)
 Max Uplift 2=-258(LC 8), 6=-258(LC 9)
 Max Grav 2=455(LC 1), 6=455(LC 1)

FORCES. (lb) - Max. Comp./Max. Ten. - All forces 250 (lb) or less except when shown.
 TOP CHORD 2-3=-632/746, 3-4=-580/754, 4-5=-580/754, 5-6=-632/746
 BOT CHORD 2-10=-631/548, 9-10=-631/548, 8-9=-631/548, 6-8=-631/548
 WEBS 4-9=-266/168

- NOTES-**
- Unbalanced roof live loads have been considered for this design.
 - Wind: ASCE 7-10; Vult=130mph Vasd=103mph; TCDL=6.0psf; BCDL=6.0psf; h=15ft; Cat. II; Exp C; Enclosed; MWFRS (envelope) gable end zone and C-C Exterior(2) zone; porch left and right exposed; C-C for members and forces & MWFRS for reactions shown; Lumber DOL=1.60 plate grip DOL=1.60
 - Truss designed for wind loads in the plane of the truss only. For studs exposed to wind (normal to the face), see Standard Industry Gable End Details as applicable, or consult qualified building designer as per ANSI/TPI 1.
 - Gable studs spaced at 2-0-0 oc.
 - This truss has been designed for a 10.0 psf bottom chord live load nonconcurrent with any other live loads.
 - * This truss has been designed for a live load of 30.0psf on the bottom chord in all areas where a rectangle 3-6-0 tall by 2-0-0 wide will fit between the bottom chord and any other members.
 - Provide mechanical connection (by others) of truss to bearing plate capable of withstanding 100 lb uplift at joint(s) except (jt=lb) 2=258, 6=258.
 - See Standard Industry Piggyback Truss Connection Detail for Connection to base truss as applicable, or consult qualified building designer.



August 15, 2023

WARNING - Verify design parameters and READ NOTES ON THIS AND INCLUDED MITEK REFERENCE PAGE MII-7473 rev. 1/2/2023 BEFORE USE.
 Design valid for use only with MiTek® connectors. This design is based only upon parameters shown, and is for an individual building component, not a truss system. Before use, the building designer must verify the applicability of design parameters and properly incorporate this design into the overall building design. Bracing indicated is to prevent buckling of individual truss web and/or chord members only. Additional temporary and permanent bracing is always required for stability and to prevent collapse with possible personal injury and property damage. For general guidance regarding the fabrication, storage, delivery, erection and bracing of trusses and truss systems, see **ANSI/TP1 Quality Criteria and DSB-22** available from Truss Plate Institute (www.tpinst.org) and **BCSI Building Component Safety Information** available from the Structural Building Component Association (www.sbcacomponents.com)

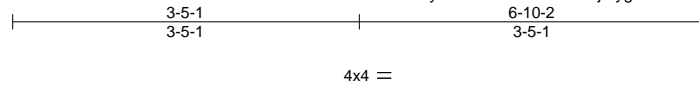


818 Soundside Road
 Edenton, NC 27932

Job J0722-3742	Truss PB1	Truss Type Piggyback	Qty 9	Ply 1	Lot 36 Liberty Meadows Job Reference (optional)	I60141590
-------------------	--------------	-------------------------	----------	----------	--	-----------

Comtech, Inc. Fayetteville, NC - 28314,

8,430 s Jan 6 2022 MiTek Industries, Inc. Mon Aug 14 13:17:53 2023 Page 1
ID:r?yi3DAbxRr?CsKd7DtDjMygInZ-RfC?PsB70Hq3NSgPqnL8w3ulTXbGKWrCDoi7J4zJC?f



Scale = 1:22.7

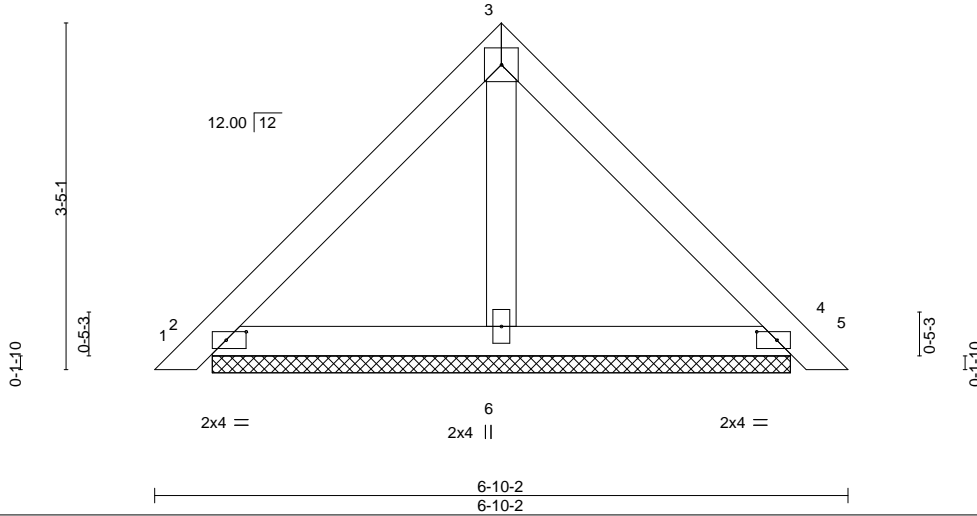


Plate Offsets (X,Y)--	[2:0-2-6,0-1-0], [4:0-2-6,0-1-0]				
LOADING (psf)	SPACING- 2-0-0	CSI.	DEFL. in (loc) l/defl L/d	PLATES	GRIP
TCLL 20.0	Plate Grip DOL 1.15	TC 0.14	Vert(LL) 0.00 5 n/r 120	MT20	244/190
TCDL 10.0	Lumber DOL 1.15	BC 0.06	Vert(CT) 0.00 5 n/r 120		
BCLL 0.0 *	Rep Stress Incr YES	WB 0.02	Horz(CT) 0.00 4 n/a n/a		
BCDL 10.0	Code IRC2015/TPI2014	Matrix-P		Weight: 27 lb	FT = 20%

LUMBER-
TOP CHORD 2x4 SP No.1
BOT CHORD 2x4 SP No.1
OTHERS 2x4 SP No.2

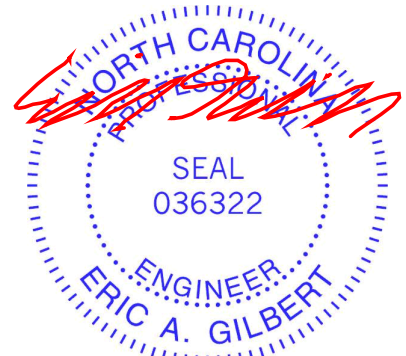
BRACING-
TOP CHORD Structural wood sheathing directly applied or 6-0-0 oc purlins.
BOT CHORD Rigid ceiling directly applied or 10-0-0 oc bracing.

REACTIONS. (size) 2=5-8-8, 4=5-8-8, 6=5-8-8
Max Horz 2=-77(LC 10)
Max Uplift 2=-27(LC 13), 4=-31(LC 13)
Max Grav 2=162(LC 1), 4=162(LC 1), 6=177(LC 3)

FORCES. (lb) - Max. Comp./Max. Ten. - All forces 250 (lb) or less except when shown.

NOTES-

- 1) Unbalanced roof live loads have been considered for this design.
- 2) Wind: ASCE 7-10; Vult=130mph Vasd=103mph; TCDL=6.0psf; BCDL=6.0psf; h=15ft; Cat. II; Exp C; Enclosed; MWFRS (envelope) and C-C Exterior(2) zone; C-C for members and forces & MWFRS for reactions shown; Lumber DOL=1.60 plate grip DOL=1.60
- 3) Gable requires continuous bottom chord bearing.
- 4) This truss has been designed for a 10.0 psf bottom chord live load nonconcurrent with any other live loads.
- 5) * This truss has been designed for a live load of 30.0psf on the bottom chord in all areas where a rectangle 3-6-0 tall by 2-0-0 wide will fit between the bottom chord and any other members.
- 6) Provide mechanical connection (by others) of truss to bearing plate capable of withstanding 100 lb uplift at joint(s) 2, 4.
- 7) See Standard Industry Piggyback Truss Connection Detail for Connection to base truss as applicable, or consult qualified building designer.



August 15, 2023

WARNING - Verify design parameters and READ NOTES ON THIS AND INCLUDED MITEK REFERENCE PAGE MII-7473 rev. 1/2/2023 BEFORE USE.

Design valid for use only with MiTek® connectors. This design is based only upon parameters shown, and is for an individual building component, not a truss system. Before use, the building designer must verify the applicability of design parameters and properly incorporate this design into the overall building design. Bracing indicated is to prevent buckling of individual truss web and/or chord members only. Additional temporary and permanent bracing is always required for stability and to prevent collapse with possible personal injury and property damage. For general guidance regarding the fabrication, storage, delivery, erection and bracing of trusses and truss systems, see **ANSI/TP1 Quality Criteria and DSB-22** available from Truss Plate Institute (www.tpinst.org) and **BCSI Building Component Safety Information** available from the Structural Building Component Association (www.sbcacomponents.com)

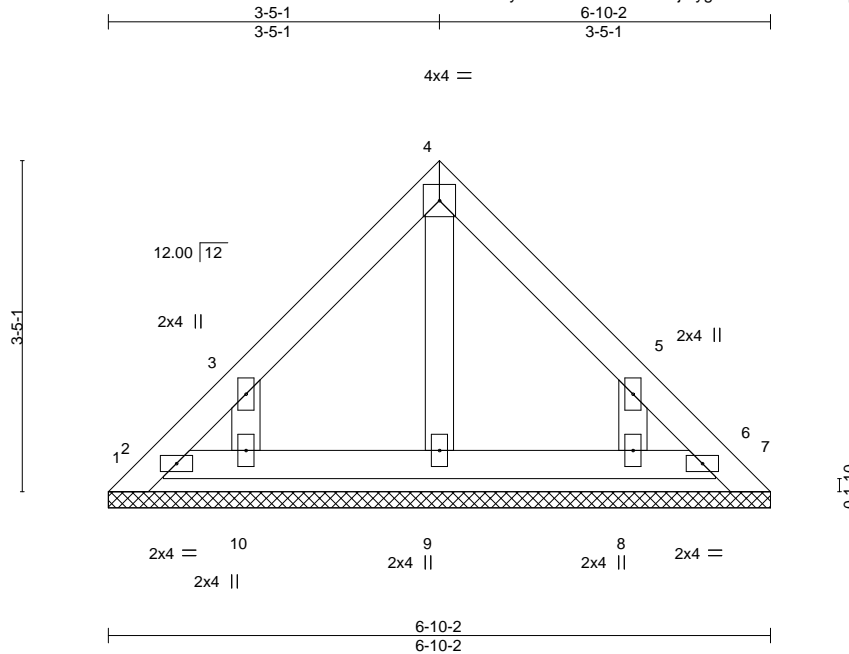


818 Soundside Road
Edenton, NC 27932

Job J0722-3742	Truss PB1GE	Truss Type GABLE	Qty 1	Ply 1	Lot 36 Liberty Meadows Job Reference (optional)	I60141591
-------------------	----------------	---------------------	----------	----------	--	-----------

Comtech, Inc. Fayetteville, NC - 28314,

8,430 s Jan 6 2022 MiTek Industries, Inc. Mon Aug 14 13:17:54 2023 Page 1
ID:r?yi3DAbxRr?CsKd7DtDjMygInZ-RfC?PsB70Hq3NSgPqnL8w3ulTXbGKWrCDoi7J4zJC?f



Scale: 1/2"=1'

LOADING (psf)	SPACING-	2-0-0	CSI.	DEFL.	in (loc)	l/defl	L/d	PLATES	GRIP	
TCLL 20.0	Plate Grip DOL	1.15	TC 0.05	Vert(LL)	n/a	-	n/a	999	MT20	244/190
TCDL 10.0	Lumber DOL	1.15	BC 0.02	Vert(CT)	n/a	-	n/a	999		
BCLL 0.0 *	Rep Stress Incr	YES	WB 0.03	Horz(CT)	0.00	7	n/a	n/a		
BCDL 10.0	Code IRC2015/TPI2014		Matrix-P						Weight: 29 lb	FT = 20%

LUMBER-
TOP CHORD 2x4 SP No.1
BOT CHORD 2x4 SP No.1
OTHERS 2x4 SP No.2

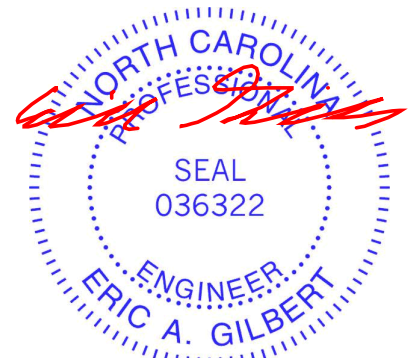
BRACING-
TOP CHORD Structural wood sheathing directly applied or 6-0-0 oc purlins.
BOT CHORD Rigid ceiling directly applied or 10-0-0 oc bracing.

REACTIONS. All bearings 6-10-2.
(lb) - Max Horz 1=-96(LC 8)
Max Uplift All uplift 100 lb or less at joint(s) 1, 7, 2, 6 except 10=-152(LC 12), 8=-150(LC 13)
Max Grav All reactions 250 lb or less at joint(s) 1, 7, 2, 6, 9, 10, 8

FORCES. (lb) - Max. Comp./Max. Ten. - All forces 250 (lb) or less except when shown.

NOTES-

- Unbalanced roof live loads have been considered for this design.
- Wind: ASCE 7-10; Vult=130mph Vasd=103mph; TCDL=6.0psf; BCDL=6.0psf; h=15ft; Cat. II; Exp C; Enclosed; MWFRS (envelope) gable end zone and C-C Exterior(2) zone; C-C for members and forces & MWFRS for reactions shown; Lumber DOL=1.60 plate grip DOL=1.60
- Truss designed for wind loads in the plane of the truss only. For studs exposed to wind (normal to the face), see Standard Industry Gable End Details as applicable, or consult qualified building designer as per ANSI/TPI 1.
- Gable requires continuous bottom chord bearing.
- Gable studs spaced at 2-0-0 oc.
- This truss has been designed for a 10.0 psf bottom chord live load nonconcurrent with any other live loads.
- * This truss has been designed for a live load of 30.0psf on the bottom chord in all areas where a rectangle 3-6-0 tall by 2-0-0 wide will fit between the bottom chord and any other members.
- Bearing at joint(s) 7, 6 considers parallel to grain value using ANSI/TPI 1 angle to grain formula. Building designer should verify capacity of bearing surface.
- Provide mechanical connection (by others) of truss to bearing plate capable of withstanding 100 lb uplift at joint(s) 1, 7, 2, 6 except (jt=lb) 10=152, 8=150.
- See Standard Industry Piggyback Truss Connection Detail for Connection to base truss as applicable, or consult qualified building designer.



August 15, 2023

WARNING - Verify design parameters and READ NOTES ON THIS AND INCLUDED MITEK REFERENCE PAGE MII-7473 rev. 1/2/2023 BEFORE USE.

Design valid for use only with MiTek® connectors. This design is based only upon parameters shown, and is for an individual building component, not a truss system. Before use, the building designer must verify the applicability of design parameters and properly incorporate this design into the overall building design. Bracing indicated is to prevent buckling of individual truss web and/or chord members only. Additional temporary and permanent bracing is always required for stability and to prevent collapse with possible personal injury and property damage. For general guidance regarding the fabrication, storage, delivery, erection and bracing of trusses and truss systems, see **ANSI/TPI1 Quality Criteria and DSB-22** available from Truss Plate Institute (www.tpinst.org) and **BCSI Building Component Safety Information** available from the Structural Building Component Association (www.sbcacomponents.com)

ENGINEERING BY
TRENCO
A MiTek Affiliate

818 Soundside Road
Edenton, NC 27932

Job J0722-3742	Truss PB2	Truss Type PIGGYBACK	Qty 4	Ply 1	Lot 36 Liberty Meadows I60141592
-------------------	--------------	-------------------------	----------	----------	-------------------------------------

Comtech, Inc. Fayetteville, NC - 28314,

8.430 s Jan 6 2022 MiTek Industries, Inc. Mon Aug 14 13:17:55 2023 Page 1
ID:r?yi3DAbxRr?CsKd7DtDjMygInZ-RfC?PsB70Hq3NSgPqnL8w3ulTXbGKWrCDoi7J4zJC?f

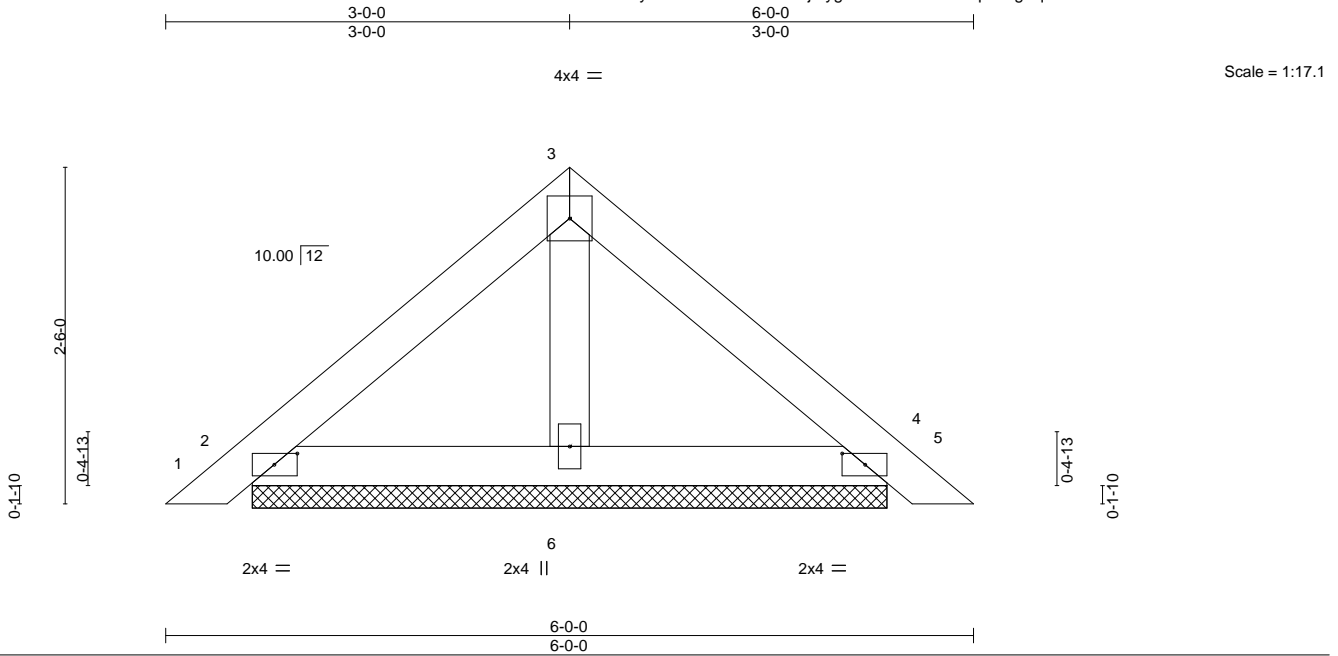


Plate Offsets (X,Y)--	[2:0-2-1,0-1-0], [4:0-2-1,0-1-0]				
LOADING (psf)	SPACING- 2-0-0	CSI.	DEFL. in (loc) l/defl L/d	PLATES	GRIP
TCLL 20.0	Plate Grip DOL 1.15	TC 0.08	Vert(LL) 0.00 5 n/r 120	MT20	244/190
TCDL 10.0	Lumber DOL 1.15	BC 0.04	Vert(CT) 0.00 5 n/r 120		
BCLL 0.0 *	Rep Stress Incr YES	WB 0.01	Horz(CT) 0.00 4 n/a n/a		
BCDL 10.0	Code IRC2015/TPI2014	Matrix-P		Weight: 21 lb	FT = 20%

LUMBER-	BRACING-
TOP CHORD 2x4 SP No.1	TOP CHORD Structural wood sheathing directly applied or 6-0-0 oc purlins.
BOT CHORD 2x4 SP No.1	BOT CHORD Rigid ceiling directly applied or 10-0-0 oc bracing.
OTHERS 2x4 SP No.2	

REACTIONS. (size) 2=4-8-9, 4=4-8-9, 6=4-8-9
 Max Horz 2=-55(LC 10)
 Max Uplift 2=-23(LC 12), 4=-28(LC 13)
 Max Grav 2=136(LC 1), 4=136(LC 1), 6=155(LC 1)

FORCES. (lb) - Max. Comp./Max. Ten. - All forces 250 (lb) or less except when shown.

- NOTES-**
- 1) Unbalanced roof live loads have been considered for this design.
 - 2) Wind: ASCE 7-10; Vult=130mph Vasd=103mph; TCDL=6.0psf; BCDL=6.0psf; h=15ft; Cat. II; Exp C; Enclosed; MWFRS (envelope) and C-C Exterior(2) zone; C-C for members and forces & MWFRS for reactions shown; Lumber DOL=1.60 plate grip DOL=1.60
 - 3) Gable requires continuous bottom chord bearing.
 - 4) This truss has been designed for a 10.0 psf bottom chord live load nonconcurrent with any other live loads.
 - 5) * This truss has been designed for a live load of 30.0psf on the bottom chord in all areas where a rectangle 3-6-0 tall by 2-0-0 wide will fit between the bottom chord and any other members.
 - 6) Provide mechanical connection (by others) of truss to bearing plate capable of withstanding 100 lb uplift at joint(s) 2, 4.
 - 7) See Standard Industry Piggyback Truss Connection Detail for Connection to base truss as applicable, or consult qualified building designer.

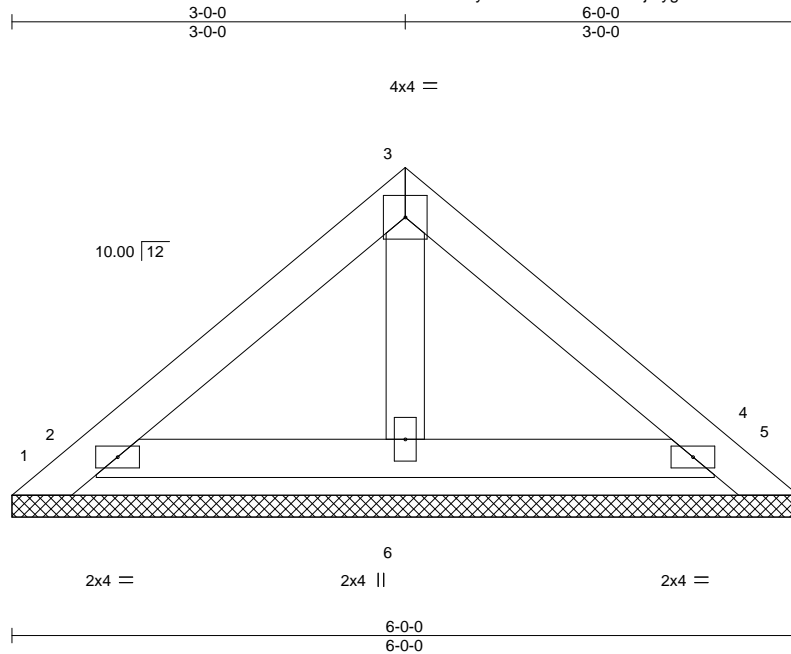


August 15, 2023

Job J0722-3742	Truss PB2GE	Truss Type GABLE	Qty 1	Ply 1	Lot 36 Liberty Meadows Job Reference (optional)	I60141593
-------------------	----------------	---------------------	----------	----------	--	-----------

Comtech, Inc. Fayetteville, NC - 28314,

8.430 s Jan 6 2022 MiTek Industries, Inc. Mon Aug 14 13:17:56 2023 Page 1
ID:r?yi3DAbxRr?CsKd7DtDjMygInZ-RfC?PsB70Hq3NSgPqnL8w3ulTXbGKWrCDoi7J4zJC?f



Scale = 1:17.6

LOADING (psf)	SPACING-	2-0-0	CSI.	DEFL.	in (loc)	l/defl	L/d	PLATES	GRIP	
TCLL 20.0	Plate Grip DOL	1.15	TC 0.07	Vert(LL)	n/a	-	n/a	999	MT20	244/190
TCDL 10.0	Lumber DOL	1.15	BC 0.04	Vert(CT)	n/a	-	n/a	999		
BCLL 0.0 *	Rep Stress Incr	YES	WB 0.01	Horz(CT)	0.00	4	n/a	n/a		
BCDL 10.0	Code IRC2015/TPI2014		Matrix-P						Weight: 21 lb	FT = 20%

LUMBER-
TOP CHORD 2x4 SP No.1
BOT CHORD 2x4 SP No.1
OTHERS 2x4 SP No.2

BRACING-
TOP CHORD Structural wood sheathing directly applied or 6'-0" oc purlins.
BOT CHORD Rigid ceiling directly applied or 10'-0" oc bracing.

REACTIONS. All bearings 6'-0-0.
(lb) - Max Horz 1=-69(LC 10)
Max Uplift All uplift 100 lb or less at joint(s) 5 except 1=-120(LC 19), 2=-177(LC 12), 4=-154(LC 13)
Max Grav All reactions 250 lb or less at joint(s) 1, 5, 4, 6 except 2=264(LC 19)

FORCES. (lb) - Max. Comp./Max. Ten. - All forces 250 (lb) or less except when shown.

NOTES-

- Unbalanced roof live loads have been considered for this design.
- Wind: ASCE 7-10; Vult=130mph Vasd=103mph; TCDL=6.0psf; BCDL=6.0psf; h=15ft; Cat. II; Exp C; Enclosed; MWFRS (envelope) gable end zone and C-C Exterior(2) zone; C-C for members and forces & MWFRS for reactions shown; Lumber DOL=1.60 plate grip DOL=1.60
- Truss designed for wind loads in the plane of the truss only. For studs exposed to wind (normal to the face), see Standard Industry Gable End Details as applicable, or consult qualified building designer as per ANSI/TPI 1.
- Gable requires continuous bottom chord bearing.
- Gable studs spaced at 2'-0-0 oc.
- This truss has been designed for a 10.0 psf bottom chord live load nonconcurrent with any other live loads.
- * This truss has been designed for a live load of 30.0psf on the bottom chord in all areas where a rectangle 3'-6" tall by 2'-0" wide will fit between the bottom chord and any other members.
- Provide mechanical connection (by others) of truss to bearing plate capable of withstanding 100 lb uplift at joint(s) 5 except (jt=lb) 1=120, 2=177, 4=154.
- See Standard Industry Piggyback Truss Connection Detail for Connection to base truss as applicable, or consult qualified building designer.



August 15, 2023

WARNING - Verify design parameters and READ NOTES ON THIS AND INCLUDED MITEK REFERENCE PAGE MII-7473 rev. 1/2/2023 BEFORE USE.

Design valid for use only with MiTek® connectors. This design is based only upon parameters shown, and is for an individual building component, not a truss system. Before use, the building designer must verify the applicability of design parameters and properly incorporate this design into the overall building design. Bracing indicated is to prevent buckling of individual truss web and/or chord members only. Additional temporary and permanent bracing is always required for stability and to prevent collapse with possible personal injury and property damage. For general guidance regarding the fabrication, storage, delivery, erection and bracing of trusses and truss systems, see **ANSI/TPI1 Quality Criteria and DSB-22** available from Truss Plate Institute (www.tpinst.org) and **BCSI Building Component Safety Information** available from the Structural Building Component Association (www.sbcacomponents.com)

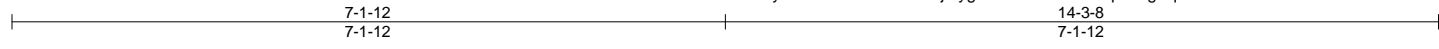
ENGINEERING BY
TRENCO
A MiTek Affiliate

818 Soundside Road
Edenton, NC 27932

Job J0722-3742	Truss VC1	Truss Type GABLE	Qty 1	Ply 1	Lot 36 Liberty Meadows I60141594
-------------------	--------------	---------------------	----------	----------	-------------------------------------

Comtech, Inc. Fayetteville, NC - 28314,

8.430 s Jan 6 2022 MiTek Industries, Inc. Mon Aug 14 13:17:57 2023 Page 1
ID:r?yi3DAbxRr?CsKd7DtDjMygInZ-RfC?PsB70Hq3NSgPqnL8w3ulTXbGKWrCDoi7J4zJC?f



Scale = 1:23.1

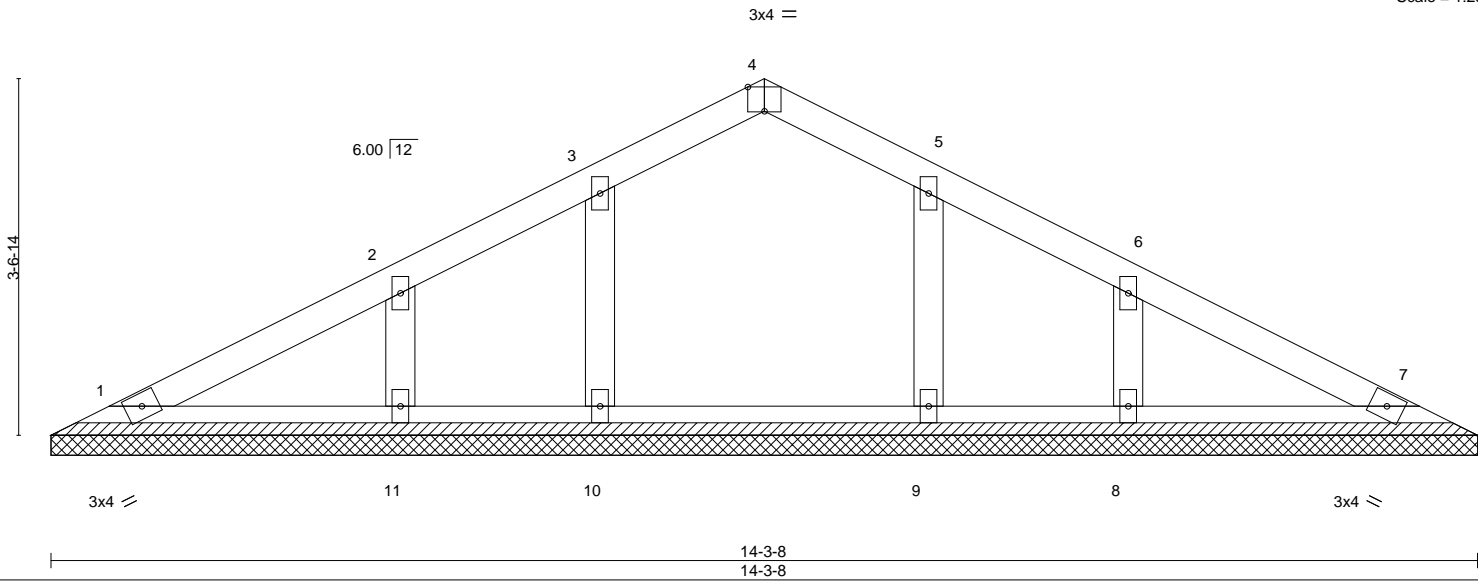


Plate Offsets (X,Y)--	[4:0-2-0,Edge]								
LOADING (psf)	SPACING-	2-0-0	CSI.	DEFL.	in (loc)	l/defl	L/d	PLATES	GRIP
TCLL 20.0	Plate Grip DOL 1.15		TC 0.07	Vert(LL) n/a	-	n/a	999	MT20	244/190
TCDL 10.0	Lumber DOL 1.15		BC 0.05	Vert(CT) n/a	-	n/a	999		
BCLL 0.0 *	Rep Stress Incr YES		WB 0.03	Horz(CT) 0.00	7	n/a	n/a		
BCDL 10.0	Code IRC2015/TPI2014		Matrix-S					Weight: 53 lb	FT = 20%

LUMBER-		BRACING-	
TOP CHORD 2x4 SP No.1		TOP CHORD	Structural wood sheathing directly applied or 6-0-0 oc purlins.
BOT CHORD 2x4 SP No.1		BOT CHORD	Rigid ceiling directly applied or 10-0-0 oc bracing.
OTHERS 2x4 SP No.2			


REACTIONS. All bearings 14-3-8.
 (lb) - Max Horz 1=66(LC 13)
 Max Uplift All uplift 100 lb or less at joint(s) 10, 9 except 11=109(LC 12), 8=111(LC 13)
 Max Grav All reactions 250 lb or less at joint(s) 1, 7, 10, 11, 9, 8

FORCES. (lb) - Max. Comp./Max. Ten. - All forces 250 (lb) or less except when shown.

- NOTES-**
- Unbalanced roof live loads have been considered for this design.
 - Wind: ASCE 7-10; Vult=130mph Vasd=103mph; TCDL=6.0psf; BCDL=6.0psf; h=15ft; Cat. II; Exp C; Enclosed; MWFRS (envelope) gable end zone and C-C Exterior(2) zone; C-C for members and forces & MWFRS for reactions shown; Lumber DOL=1.60 plate grip DOL=1.60
 - All plates are 2x4 MT20 unless otherwise indicated.
 - Gable requires continuous bottom chord bearing.
 - This truss has been designed for a 10.0 psf bottom chord live load nonconcurrent with any other live loads.
 - * This truss has been designed for a live load of 30.0psf on the bottom chord in all areas where a rectangle 3-6-0 tall by 2-0-0 wide will fit between the bottom chord and any other members.
 - Provide mechanical connection (by others) of truss to bearing plate capable of withstanding 100 lb uplift at joint(s) 10, 9 except (jt=lb) 11=109, 8=111.



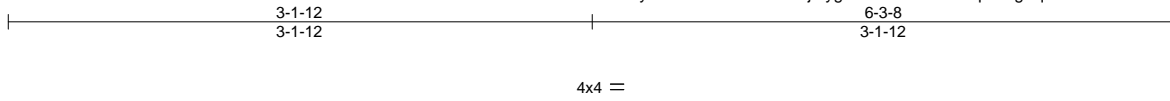
August 15, 2023

<p>WARNING - Verify design parameters and READ NOTES ON THIS AND INCLUDED MITEK REFERENCE PAGE MII-7473 rev. 1/2/2023 BEFORE USE.</p> <p>Design valid for use only with MiTek® connectors. This design is based only upon parameters shown, and is for an individual building component, not a truss system. Before use, the building designer must verify the applicability of design parameters and properly incorporate this design into the overall building design. Bracing indicated is to prevent buckling of individual truss web and/or chord members only. Additional temporary and permanent bracing is always required for stability and to prevent collapse with possible personal injury and property damage. For general guidance regarding the fabrication, storage, delivery, erection and bracing of trusses and truss systems, see ANSI/TPH Quality Criteria and DSB-22 available from Truss Plate Institute (www.tpinst.org) and BCSI Building Component Safety Information available from the Structural Building Component Association (www.sbcacomponents.com)</p>	<p>ENGINEERING BY</p>  <p>A MiTek Affiliate</p> <p>818 Soundside Road Edenton, NC 27932</p>
--	--

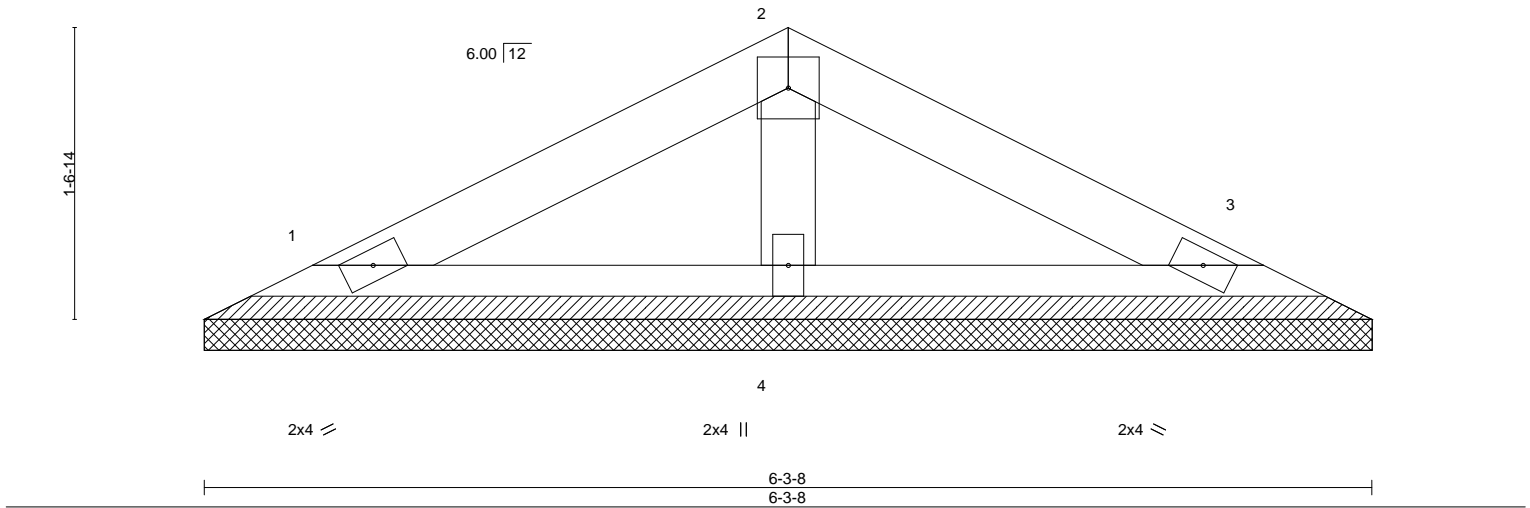
Job J0722-3742	Truss VC2	Truss Type VALLEY	Qty 1	Ply 1	Lot 36 Liberty Meadows Job Reference (optional)	I60141595
-------------------	--------------	----------------------	----------	----------	--	-----------

Comtech, Inc. Fayetteville, NC - 28314,

8.430 s Jan 6 2022 MiTek Industries, Inc. Mon Aug 14 13:17:58 2023 Page 1
ID:r?yi3DAbxRr?CsKd7DtDjMygInZ-RfC?PsB70Hq3NSgPqnL8w3ulTXbGKWrCDoi7J4zJC?f



Scale = 1:12.4



LOADING (psf)	SPACING-	CSI.	DEFL.	in (loc)	l/defl	L/d	PLATES	GRIP
TCLL 20.0	2-0-0	TC 0.08	Vert(LL)	n/a	-	n/a	MT20	244/190
TCDL 10.0	Plate Grip DOL 1.15	BC 0.05	Vert(CT)	n/a	-	n/a		
BCLL 0.0 *	Lumber DOL 1.15	WB 0.02	Horz(CT)	0.00	3	n/a		
BCDL 10.0	Rep Stress Incr YES	Matrix-P						
	Code IRC2015/TPI2014						Weight: 19 lb	FT = 20%

LUMBER-	BRACING-
TOP CHORD 2x4 SP No.1	TOP CHORD Structural wood sheathing directly applied or 6-0-0 oc purlins.
BOT CHORD 2x4 SP No.1	BOT CHORD Rigid ceiling directly applied or 10-0-0 oc bracing.
OTHERS 2x4 SP No.2	

REACTIONS. (size) 1=6-3-8, 3=6-3-8, 4=6-3-8
 Max Horz 1=-16(LC 8)
 Max Uplift 1=-16(LC 12), 3=-19(LC 13)
 Max Grav 1=103(LC 1), 3=103(LC 1), 4=199(LC 1)

FORCES. (lb) - Max. Comp./Max. Ten. - All forces 250 (lb) or less except when shown.

- NOTES-**
- 1) Unbalanced roof live loads have been considered for this design.
 - 2) Wind: ASCE 7-10; Vult=130mph Vasd=103mph; TC DL=6.0psf; BCDL=6.0psf; h=15ft; Cat. II; Exp C; Enclosed; MWFRS (envelope) and C-C Exterior(2) zone; C-C for members and forces & MWFRS for reactions shown; Lumber DOL=1.60 plate grip DOL=1.60
 - 3) Gable requires continuous bottom chord bearing.
 - 4) This truss has been designed for a 10.0 psf bottom chord live load nonconcurrent with any other live loads.
 - 5) * This truss has been designed for a live load of 30.0psf on the bottom chord in all areas where a rectangle 3-6-0 tall by 2-0-0 wide will fit between the bottom chord and any other members.
 - 6) Provide mechanical connection (by others) of truss to bearing plate capable of withstanding 100 lb uplift at joint(s) 1, 3.

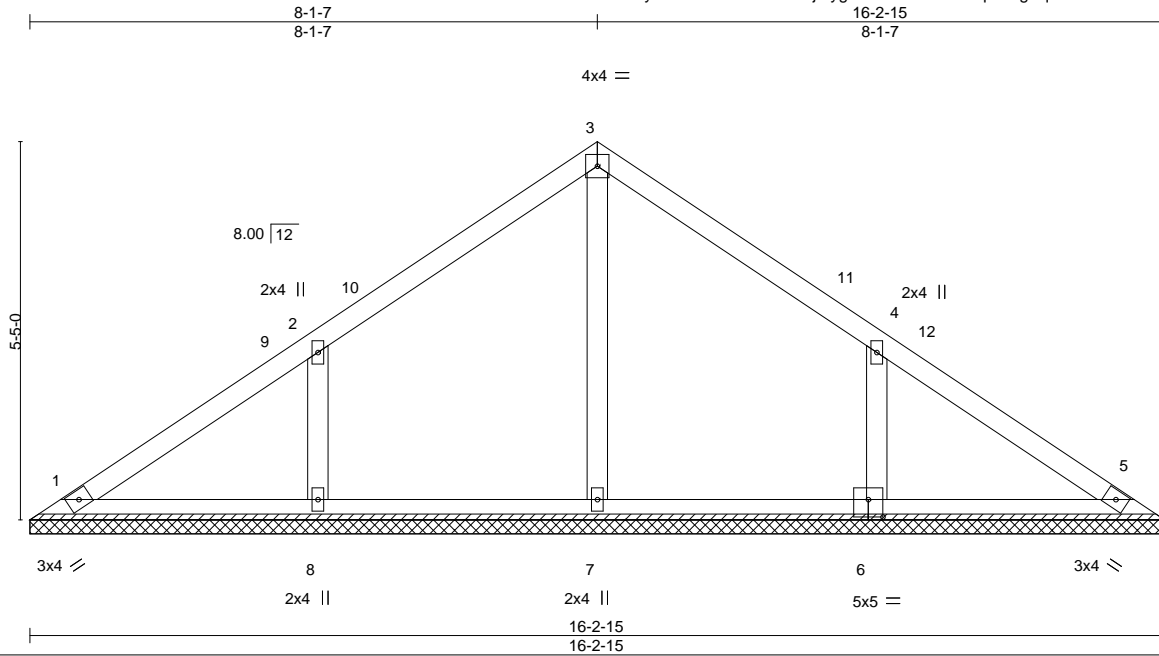


August 15, 2023

Job J0722-3742	Truss VG1	Truss Type GABLE	Qty 1	Ply 1	Lot 36 Liberty Meadows Job Reference (optional)	I60141596
-------------------	--------------	---------------------	----------	----------	--	-----------

Comtech, Inc. Fayetteville, NC - 28314,

8.430 s Jan 6 2022 MiTek Industries, Inc. Mon Aug 14 13:17:59 2023 Page 1
ID:r?yi3DAbxRr?CsKd7DtDjMyglnZ-RfC?PsB70Hq3NSgPqnL8w3uITXbGKWrCDoi7J4zJC?f



Scale = 1:33.0

Plate Offsets (X,Y)--	[6:0-2-8,0-3-0]								
LOADING (psf)	SPACING-	2-0-0	CSI.	DEFL.	in (loc)	l/defl	L/d	PLATES	GRIP
TCLL 20.0	Plate Grip DOL	1.15	TC 0.16	Vert(LL)	n/a	-	n/a	MT20	244/190
TCDL 10.0	Lumber DOL	1.15	BC 0.09	Vert(CT)	n/a	-	n/a		
BCLL 0.0 *	Rep Stress Incr	YES	WB 0.08	Horz(CT)	0.00	5	n/a		
BCDL 10.0	Code IRC2015/TPI2014		Matrix-S					Weight: 65 lb	FT = 20%

LUMBER-	BRACING-	
TOP CHORD 2x4 SP No.1	TOP CHORD	Structural wood sheathing directly applied or 6-0-0 oc purlins.
BOT CHORD 2x4 SP No.1	BOT CHORD	Rigid ceiling directly applied or 10-0-0 oc bracing.
OTHERS 2x4 SP No.2		

REACTIONS. All bearings 16-2-15.
 (lb) - Max Horz 1=-122(LC 8)
 Max Uplift All uplift 100 lb or less at joint(s) 1 except 8=-109(LC 12), 6=-104(LC 13)
 Max Grav All reactions 250 lb or less at joint(s) 1, 5, 7 except 8=388(LC 19), 6=378(LC 20)

FORCES. (lb) - Max. Comp./Max. Ten. - All forces 250 (lb) or less except when shown.
 WEBS 2-8=-324/212, 4-6=-314/205

- NOTES-**
- 1) Unbalanced roof live loads have been considered for this design.
 - 2) Wind: ASCE 7-10; Vult=130mph Vasd=103mph; TCFL=6.0psf; BCDL=6.0psf; h=15ft; Cat. II; Exp C; Enclosed; MWFRS (envelope) and C-C Exterior(2) 0-5-12 to 4-10-9, Interior(1) 4-10-9 to 8-1-7, Exterior(2) 8-1-7 to 12-6-4, Interior(1) 12-6-4 to 15-9-2 zone; C-C for members and forces & MWFRS for reactions shown; Lumber DOL=1.60 plate grip DOL=1.60
 - 3) Gable requires continuous bottom chord bearing.
 - 4) This truss has been designed for a 10.0 psf bottom chord live load nonconcurrent with any other live loads.
 - 5) * This truss has been designed for a live load of 30.0psf on the bottom chord in all areas where a rectangle 3-6-0 tall by 2-0-0 wide will fit between the bottom chord and any other members.
 - 6) Provide mechanical connection (by others) of truss to bearing plate capable of withstanding 100 lb uplift at joint(s) 1 except (jt=lb) 8=109, 6=104.

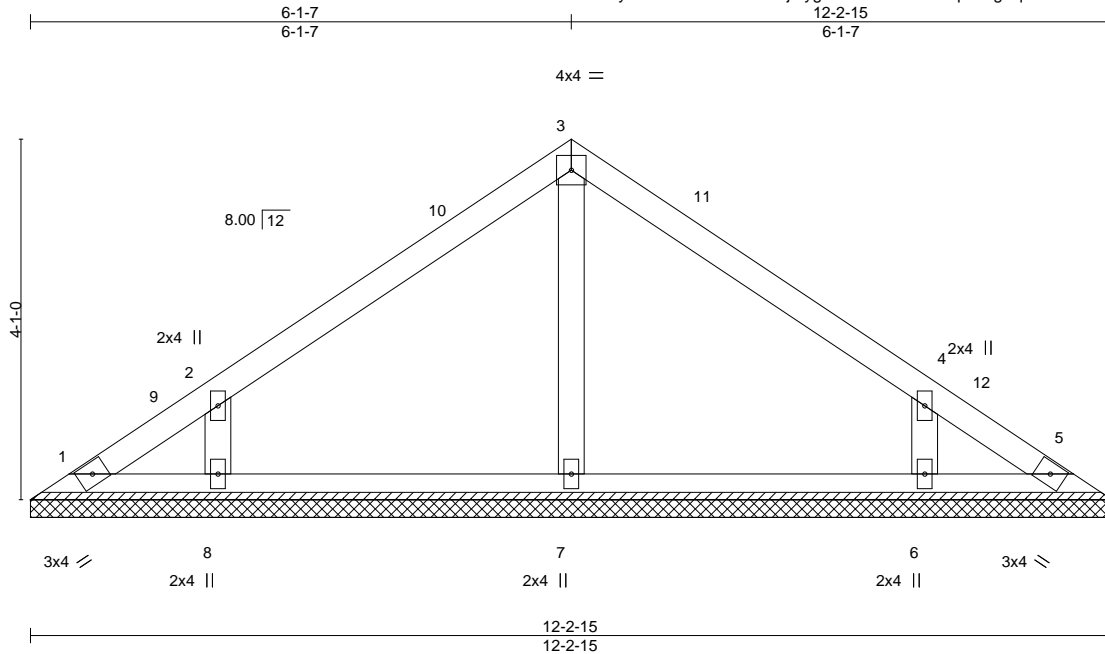


August 15, 2023

Job J0722-3742	Truss VG2	Truss Type GABLE	Qty 1	Ply 1	Lot 36 Liberty Meadows Job Reference (optional)	I60141597
-------------------	--------------	---------------------	----------	----------	--	-----------

Comtech, Inc. Fayetteville, NC - 28314,

8.430 s Jan 6 2022 MiTek Industries, Inc. Mon Aug 14 13:18:00 2023 Page 1
ID:r?yi3DAbrR?CsKd7DtDjMyglnZ-RfC?PsB70Hq3NSgPqnL8w3uITXbGKWrCDoi7J4zJC?f



LOADING (psf)	SPACING-	2-0-0	CSI.	DEFL.	in (loc)	l/defl	L/d	PLATES	GRIP
TCLL 20.0	Plate Grip DOL	1.15	TC 0.13	Vert(LL)	n/a	-	n/a	MT20	244/190
TCDL 10.0	Lumber DOL	1.15	BC 0.09	Vert(CT)	n/a	-	n/a		
BCLL 0.0 *	Rep Stress Incr	YES	WB 0.05	Horz(CT)	0.00	5	n/a		
BCDL 10.0	Code IRC2015/TPI2014		Matrix-S					Weight: 46 lb	FT = 20%

LUMBER-
 TOP CHORD 2x4 SP No.1
 BOT CHORD 2x4 SP No.1
 OTHERS 2x4 SP No.2

BRACING-
 TOP CHORD Structural wood sheathing directly applied or 6-0-0 oc purlins.
 BOT CHORD Rigid ceiling directly applied or 10-0-0 oc bracing.

REACTIONS. All bearings 12-2-15.
 (lb) - Max Horz 1=90(LC 8)
 Max Uplift All uplift 100 lb or less at joint(s) 1, 5, 8, 6
 Max Grav All reactions 250 lb or less at joint(s) 1, 5 except 7=264(LC 1), 8=314(LC 19), 6=314(LC 20)

FORCES. (lb) - Max. Comp./Max. Ten. - All forces 250 (lb) or less except when shown.
WEBS 2-8=-278/202, 4-6=-278/202

- NOTES-**
- 1) Unbalanced roof live loads have been considered for this design.
 - 2) Wind: ASCE 7-10; Vult=130mph Vasd=103mph; TCDL=6.0psf; BCDL=6.0psf; h=15ft; Cat. II; Exp C; Enclosed; MWFRS (envelope) and C-C Exterior(2) 0-5-12 to 4-10-9, Interior(1) 4-10-9 to 6-1-7, Exterior(2) 6-1-7 to 10-6-4, Interior(1) 10-6-4 to 11-9-2 zone; C-C for members and forces & MWFRS for reactions shown; Lumber DOL=1.60 plate grip DOL=1.60
 - 3) Gable requires continuous bottom chord bearing.
 - 4) This truss has been designed for a 10.0 psf bottom chord live load nonconcurrent with any other live loads.
 - 5) * This truss has been designed for a live load of 30.0psf on the bottom chord in all areas where a rectangle 3-6-0 tall by 2-0-0 wide will fit between the bottom chord and any other members.
 - 6) Provide mechanical connection (by others) of truss to bearing plate capable of withstanding 100 lb uplift at joint(s) 1, 5, 8, 6.



August 15, 2023

WARNING - Verify design parameters and READ NOTES ON THIS AND INCLUDED MITEK REFERENCE PAGE MII-7473 rev. 1/2/2023 BEFORE USE.
 Design valid for use only with MiTek® connectors. This design is based only upon parameters shown, and is for an individual building component, not a truss system. Before use, the building designer must verify the applicability of design parameters and properly incorporate this design into the overall building design. Bracing indicated is to prevent buckling of individual truss web and/or chord members only. Additional temporary and permanent bracing is always required for stability and to prevent collapse with possible personal injury and property damage. For general guidance regarding the fabrication, storage, delivery, erection and bracing of trusses and truss systems, see **ANSI/TPH Quality Criteria and DSB-22** available from Truss Plate Institute (www.tpinst.org) and **BCSI Building Component Safety Information** available from the Structural Building Component Association (www.sbcacomponents.com)



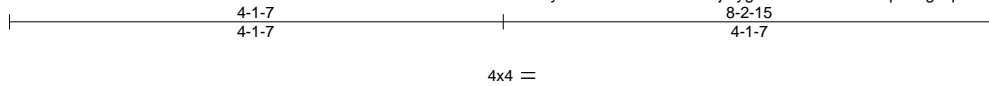
818 Soundside Road
 Edenton, NC 27932

Job J0722-3742	Truss VG3	Truss Type Valley	Qty 1	Ply 1	Lot 36 Liberty Meadows I60141598
-------------------	--------------	----------------------	----------	----------	-------------------------------------

Comtech, Inc. Fayetteville, NC - 28314,

8.430 s Jan 6 2022 MiTek Industries, Inc. Mon Aug 14 13:18:01 2023 Page 1

ID:r?yi3DAbxRr?CsKd7DtDjMyglnZ-RfC?PsB70Hq3NSgPqnL8w3ulTXbGKWrCDoi7J4zJC?f



LOADING (psf)	SPACING-	CSI.	DEFL.	in (loc)	l/defl	L/d	PLATES	GRIP
TCLL 20.0	2-0-0	TC 0.18	Vert(LL)	n/a	-	n/a	MT20	244/190
TCDL 10.0	Plate Grip DOL 1.15	BC 0.10	Vert(CT)	n/a	-	n/a		
BCLL 0.0 *	Lumber DOL 1.15	WB 0.03	Horz(CT)	0.00	3	n/a		
BCDL 10.0	Rep Stress Incr YES	Matrix-P					Weight: 29 lb	FT = 20%
	Code IRC2015/TPI2014							

LUMBER-
 TOP CHORD 2x4 SP No.1
 BOT CHORD 2x4 SP No.1
 OTHERS 2x4 SP No.2

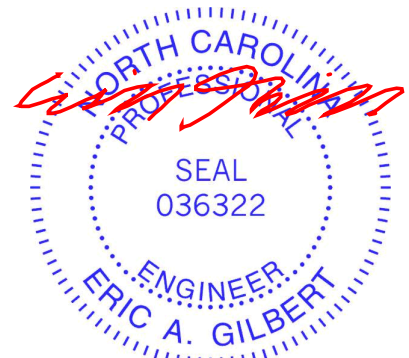
BRACING-
 TOP CHORD Structural wood sheathing directly applied or 6-0-0 oc purlins.
 BOT CHORD Rigid ceiling directly applied or 10-0-0 oc bracing.

REACTIONS. (size) 1=8-2-15, 3=8-2-15, 4=8-2-15
 Max Horz 1=-58(LC 8)
 Max Uplift 1=-25(LC 12), 3=-31(LC 13)
 Max Grav 1=158(LC 1), 3=158(LC 1), 4=266(LC 1)

FORCES. (lb) - Max. Comp./Max. Ten. - All forces 250 (lb) or less except when shown.

NOTES-

- 1) Unbalanced roof live loads have been considered for this design.
- 2) Wind: ASCE 7-10; Vult=130mph Vasd=103mph; TCDL=6.0psf; BCDL=6.0psf; h=15ft; Cat. II; Exp C; Enclosed; MWFRS (envelope) and C-C Exterior(2) zone; C-C for members and forces & MWFRS for reactions shown; Lumber DOL=1.60 plate grip DOL=1.60
- 3) Gable requires continuous bottom chord bearing.
- 4) This truss has been designed for a 10.0 psf bottom chord live load nonconcurrent with any other live loads.
- 5) * This truss has been designed for a live load of 30.0psf on the bottom chord in all areas where a rectangle 3-6-0 tall by 2-0-0 wide will fit between the bottom chord and any other members.
- 6) Provide mechanical connection (by others) of truss to bearing plate capable of withstanding 100 lb uplift at joint(s) 1, 3.



August 15, 2023

WARNING - Verify design parameters and READ NOTES ON THIS AND INCLUDED MITEK REFERENCE PAGE MII-7473 rev. 1/2/2023 BEFORE USE.

Design valid for use only with MiTek® connectors. This design is based only upon parameters shown, and is for an individual building component, not a truss system. Before use, the building designer must verify the applicability of design parameters and properly incorporate this design into the overall building design. Bracing indicated is to prevent buckling of individual truss web and/or chord members only. Additional temporary and permanent bracing is always required for stability and to prevent collapse with possible personal injury and property damage. For general guidance regarding the fabrication, storage, delivery, erection and bracing of trusses and truss systems, see **ANSI/TPH Quality Criteria and DSB-22** available from Truss Plate Institute (www.tpinst.org) and **BCSI Building Component Safety Information** available from the Structural Building Component Association (www.sbcacomponents.com)

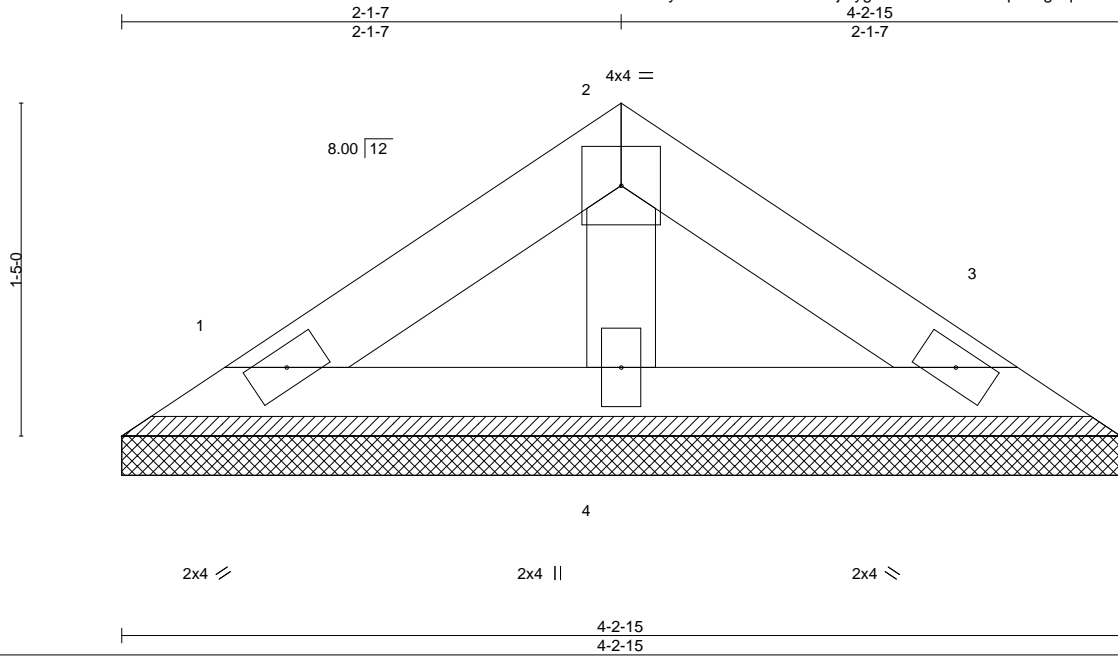


818 Soundside Road
 Edenton, NC 27932

Job J0722-3742	Truss VG4	Truss Type Valley	Qty 1	Ply 1	Lot 36 Liberty Meadows Job Reference (optional)	I60141599
-------------------	--------------	----------------------	----------	----------	--	-----------

Comtech, Inc. Fayetteville, NC - 28314,

8.430 s Jan 6 2022 MiTek Industries, Inc. Mon Aug 14 13:18:02 2023 Page 1
ID:r?yi3DAbxRr?CsKd7DtDjMyglnZ-RfC?PsB70Hq3NSgPqnL8w3ulTXbGKWrCDoi7J4zJC?f



Scale = 1:9.8

LOADING (psf)	SPACING-	CSI.	DEFL.	in (loc)	l/defl	L/d	PLATES	GRIP
TCLL 20.0	2-0-0	TC 0.03	Vert(LL)	n/a	-	n/a	MT20	244/190
TCDL 10.0	Plate Grip DOL 1.15	BC 0.02	Vert(CT)	n/a	-	n/a		
BCLL 0.0 *	Lumber DOL 1.15	WB 0.01	Horz(CT)	0.00	3	n/a		
BCDL 10.0	Rep Stress Incr YES	Matrix-P					Weight: 13 lb	FT = 20%
	Code IRC2015/TPI2014							

LUMBER-
TOP CHORD 2x4 SP No.1
BOT CHORD 2x4 SP No.1
OTHERS 2x4 SP No.2

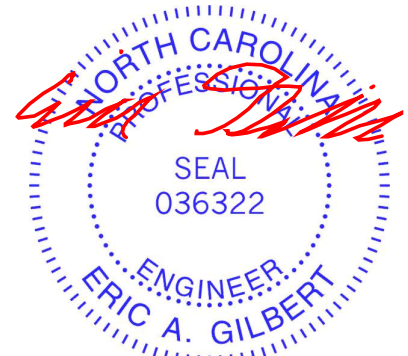
BRACING-
TOP CHORD Structural wood sheathing directly applied or 4-2-15 oc purlins.
BOT CHORD Rigid ceiling directly applied or 10-0-0 oc bracing.

REACTIONS. (size) 1=4-2-15, 3=4-2-15, 4=4-2-15
Max Horz 1=26(LC 9)
Max Uplift 1=11(LC 12), 3=14(LC 13)
Max Grav 1=71(LC 1), 3=71(LC 1), 4=120(LC 1)

FORCES. (lb) - Max. Comp./Max. Ten. - All forces 250 (lb) or less except when shown.

NOTES-

- 1) Unbalanced roof live loads have been considered for this design.
- 2) Wind: ASCE 7-10; Vult=130mph Vasd=103mph; TCDL=6.0psf; BCDL=6.0psf; h=15ft; Cat. II; Exp C; Enclosed; MWFRS (envelope) and C-C Exterior(2) zone; C-C for members and forces & MWFRS for reactions shown; Lumber DOL=1.60 plate grip DOL=1.60
- 3) Gable requires continuous bottom chord bearing.
- 4) This truss has been designed for a 10.0 psf bottom chord live load nonconcurrent with any other live loads.
- 5) * This truss has been designed for a live load of 30.0psf on the bottom chord in all areas where a rectangle 3-6-0 tall by 2-0-0 wide will fit between the bottom chord and any other members.
- 6) Provide mechanical connection (by others) of truss to bearing plate capable of withstanding 100 lb uplift at joint(s) 1, 3.



August 15, 2023

WARNING - Verify design parameters and READ NOTES ON THIS AND INCLUDED MITEK REFERENCE PAGE MII-7473 rev. 1/2/2023 BEFORE USE.

Design valid for use only with MiTek® connectors. This design is based only upon parameters shown, and is for an individual building component, not a truss system. Before use, the building designer must verify the applicability of design parameters and properly incorporate this design into the overall building design. Bracing indicated is to prevent buckling of individual truss web and/or chord members only. Additional temporary and permanent bracing is always required for stability and to prevent collapse with possible personal injury and property damage. For general guidance regarding the fabrication, storage, delivery, erection and bracing of trusses and truss systems, see **ANSI/TPH Quality Criteria and DSB-22** available from Truss Plate Institute (www.tpinst.org) and **BCSI Building Component Safety Information** available from the Structural Building Component Association (www.sbcacomponents.com)

ENGINEERING BY
TRENCO
A MiTek Affiliate

818 Soundside Road
Edenton, NC 27932

Trenco
818 Soundside Rd
Edenton, NC 27932

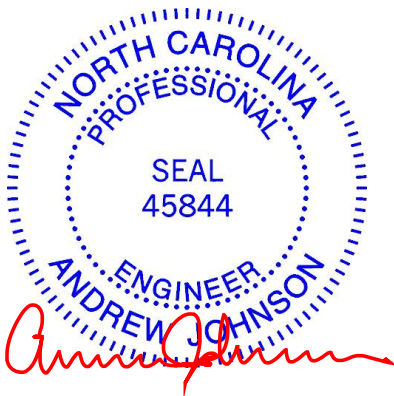
Re: J0722-3743
Lot 36 Liberty Meadows

The truss drawing(s) referenced below have been prepared by Truss Engineering Co. under my direct supervision based on the parameters provided by Comtech, Inc - Fayetteville.

Pages or sheets covered by this seal: I60141733 thru I60141744

My license renewal date for the state of North Carolina is December 31, 2023.

North Carolina COA: C-0844



August 15, 2023

Johnson, Andrew

IMPORTANT NOTE: The seal on these truss component designs is a certification that the engineer named is licensed in the jurisdiction(s) identified and that the designs comply with ANSI/TPI 1. These designs are based upon parameters shown (e.g., loads, supports, dimensions, shapes and design codes), which were given to MiTek or TRENCO. Any project specific information included is for MiTek's or TRENCO's customers file reference purpose only, and was not taken into account in the preparation of these designs. MiTek or TRENCO has not independently verified the applicability of the design parameters or the designs for any particular building. Before use, the building designer should verify applicability of design parameters and properly incorporate these designs into the overall building design per ANSI/TPI 1, Chapter 2.

Job J0722-3743	Truss F01	Truss Type Floor	Qty 9	Ply 1	Lot 36 Liberty Meadows 160141733
-------------------	--------------	---------------------	----------	----------	-------------------------------------

Comtech, Inc. Fayetteville, NC - 28314,

8.430 s Jan 6 2022 MiTek Industries, Inc. Mon Aug 14 13:19:04 2023 Page 1
ID:r?yi3DAbxRr?CsKd7DtDjMygInZ-RfC?PsB70Hq3NSgPqnL8w3ulTXbGKWrCDoi7J4zJC?f

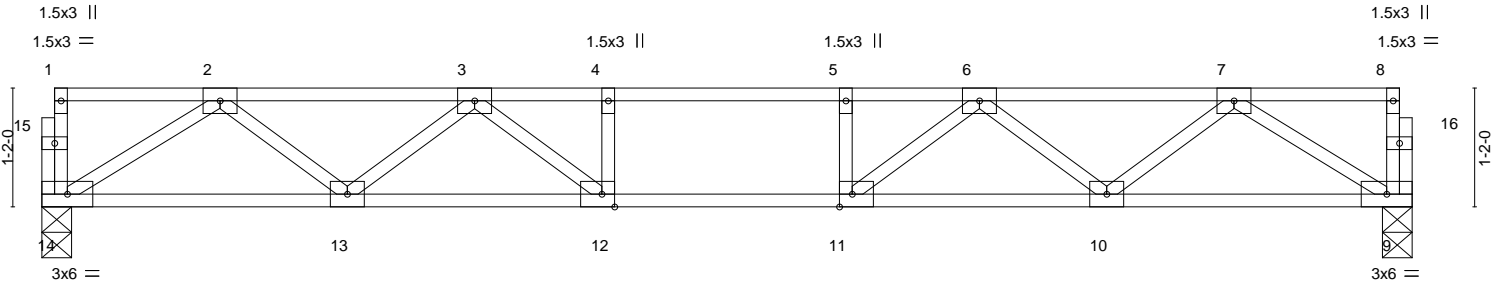
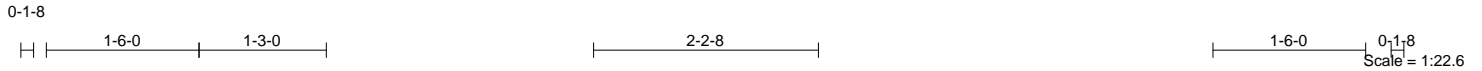


Plate Offsets (X, Y)-- [11:0-1-8,Edge], [12:0-1-8,Edge]		13-5-8		13-5-8	
LOADING (psf)	SPACING-	CSI.	DEFL.	PLATES	GRIP
TCLL 40.0	2-0-0	TC 0.42	in (loc) l/defl L/d	MT20	244/190
TCDL 10.0	Plate Grip DOL 1.00	BC 0.51	Vert(LL) -0.12 12-13 >999 480	Weight: 66 lb FT = 20%F, 11%E	
BCLL 0.0	Lumber DOL 1.00	WB 0.31	Vert(CT) -0.15 12-13 >999 360		
BCDL 5.0	Rep Stress Incr YES	Matrix-S	Horz(CT) 0.03 9 n/a n/a		
	Code IRC2015/TPI2014				

LUMBER-	BRACING-
TOP CHORD 2x4 SP No.1(flat)	TOP CHORD Structural wood sheathing directly applied or 6-0-0 oc purlins, except end verticals.
BOT CHORD 2x4 SP No.1(flat)	BOT CHORD Rigid ceiling directly applied or 10-0-0 oc bracing.
WEBS 2x4 SP No.3(flat)	


REACTIONS. (size) 14=0-3-8, 9=0-3-8
Max Grav 14=720(LC 1), 9=720(LC 1)

FORCES. (lb) - Max. Comp./Max. Ten. - All forces 250 (lb) or less except when shown.
TOP CHORD 2-3=-1533/0, 3-4=-2255/0, 4-5=-2255/0, 5-6=-2255/0, 6-7=-1533/0
BOT CHORD 13-14=0/1028, 12-13=0/2002, 11-12=0/2255, 10-11=0/2002, 9-10=0/1028
WEBS 2-14=-1217/0, 2-13=0/658, 3-13=-610/0, 3-12=0/546, 4-12=-260/0, 7-9=-1217/0, 7-10=0/658, 6-10=-610/0, 6-11=0/546, 5-11=-260/0

- NOTES-**
- 1) Unbalanced floor live loads have been considered for this design.
 - 2) All plates are 3x4 MT20 unless otherwise indicated.
 - 3) Plates checked for a plus or minus 1 degree rotation about its center.
 - 4) Recommend 2x6 strongbacks, on edge, spaced at 10-0-0 oc and fastened to each truss with 3-10d (0.131" X 3") nails. Strongbacks to be attached to walls at their outer ends or restrained by other means.



August 15, 2023

<p>WARNING - Verify design parameters and READ NOTES ON THIS AND INCLUDED MITEK REFERENCE PAGE MII-7473 rev. 1/2/2023 BEFORE USE.</p> <p>Design valid for use only with MiTek® connectors. This design is based only upon parameters shown, and is for an individual building component, not a truss system. Before use, the building designer must verify the applicability of design parameters and properly incorporate this design into the overall building design. Bracing indicated is to prevent buckling of individual truss web and/or chord members only. Additional temporary and permanent bracing is always required for stability and to prevent collapse with possible personal injury and property damage. For general guidance regarding the fabrication, storage, delivery, erection and bracing of trusses and truss systems, see ANSI/TPH Quality Criteria and DSB-22 available from Truss Plate Institute (www.tpinst.org) and BCSI Building Component Safety Information available from the Structural Building Component Association (www.sbcacomponents.com)</p>	<p>ENGINEERING BY</p>  <p>A MiTek Affiliate</p> <p>818 Soundside Road Edenton, NC 27932</p>
--	--

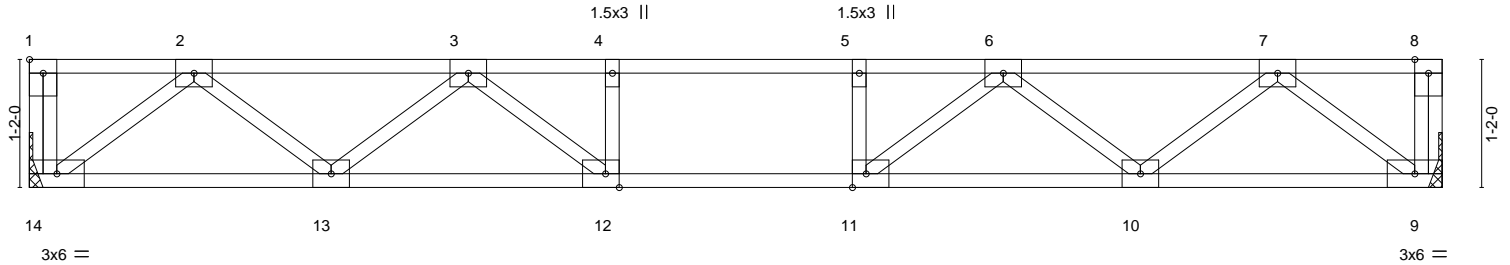
Job J0722-3743	Truss F02	Truss Type Floor	Qty 2	Ply 1	Lot 36 Liberty Meadows I60141734
-------------------	--------------	---------------------	----------	----------	-------------------------------------

Comtech, Inc. Fayetteville, NC - 28314,

8.430 s Jan 6 2022 MiTek Industries, Inc. Mon Aug 14 13:19:05 2023 Page 1
ID:r?yi3DAbxRr?CsKd7DtDjMygInZ-RfC?PsB70Hq3NSgPqnL8w3uITXbGKWrCDoi7J4zJC?f



Scale = 1:21.0



12-10-8
12-10-8

Plate Offsets (X,Y)-- [1:Edge,0-1-8], [11:0-1-8,Edge], [12:0-1-8,Edge]

LOADING (psf)	SPACING- 2-0-0	CSI.	DEFL. in (loc) l/defl L/d	PLATES	GRIP
TCLL 40.0	Plate Grip DOL 1.00	TC 0.38	Vert(LL) -0.10 12-13 >999 480	MT20	244/190
TCDL 10.0	Lumber DOL 1.00	BC 0.46	Vert(CT) -0.13 12-13 >999 360		
BCLL 0.0	Rep Stress Incr YES	WB 0.31	Horz(CT) 0.03 9 n/a n/a		
BCDL 5.0	Code IRC2015/TPI2014	Matrix-S		Weight: 65 lb	FT = 20%F, 11%E

LUMBER-
TOP CHORD 2x4 SP No.1(flat)
BOT CHORD 2x4 SP No.1(flat)
WEBS 2x4 SP No.3(flat)

BRACING-
TOP CHORD Structural wood sheathing directly applied or 6-0-0 oc purlins, except end verticals.
BOT CHORD Rigid ceiling directly applied or 10-0-0 oc bracing.

REACTIONS. (size) 14=Mechanical, 9=Mechanical
Max Grav 14=694(LC 1), 9=694(LC 1)

FORCES. (lb) - Max. Comp./Max. Ten. - All forces 250 (lb) or less except when shown.
TOP CHORD 2-3=-1351/0, 3-4=-2060/0, 4-5=-2060/0, 5-6=-2060/0, 6-7=-1351/0
BOT CHORD 13-14=0/851, 12-13=0/1815, 11-12=0/2060, 10-11=0/1815, 9-10=0/851
WEBS 2-14=-1068/0, 2-13=0/650, 3-13=-605/0, 3-12=0/519, 7-9=-1068/0, 7-10=0/650, 6-10=-605/0, 6-11=0/519

- NOTES-**
- 1) Unbalanced floor live loads have been considered for this design.
 - 2) All plates are 3x4 MT20 unless otherwise indicated.
 - 3) Plates checked for a plus or minus 1 degree rotation about its center.
 - 4) Refer to girder(s) for truss to truss connections.
 - 5) Recommend 2x6 strongbacks, on edge, spaced at 10-0-0 oc and fastened to each truss with 3-10d (0.131" X 3") nails. Strongbacks to be attached to walls at their outer ends or restrained by other means.



August 15, 2023

WARNING - Verify design parameters and READ NOTES ON THIS AND INCLUDED MITEK REFERENCE PAGE MII-7473 rev. 1/2/2023 BEFORE USE.
Design valid for use only with MiTek® connectors. This design is based only upon parameters shown, and is for an individual building component, not a truss system. Before use, the building designer must verify the applicability of design parameters and properly incorporate this design into the overall building design. Bracing indicated is to prevent buckling of individual truss web and/or chord members only. Additional temporary and permanent bracing is always required for stability and to prevent collapse with possible personal injury and property damage. For general guidance regarding the fabrication, storage, delivery, erection and bracing of trusses and truss systems, see **ANSI/TPH Quality Criteria and DSB-22** available from Truss Plate Institute (www.tpinst.org) and **BCSI Building Component Safety Information** available from the Structural Building Component Association (www.sbcacomponents.com)



818 Soundside Road
Edenton, NC 27932

Job J0722-3743	Truss F03	Truss Type Floor	Qty 1	Ply 1	Lot 36 Liberty Meadows I60141735
Comtech, Inc. Fayetteville, NC - 28314,					Job Reference (optional)

8.430 s Jan 6 2022 MiTek Industries, Inc. Mon Aug 14 13:19:06 2023 Page 1
ID:r?yi3DAbxRr?CsKd7DtDjMygInZ-RfC?PsB70Hq3NSgPqnL8w3uITXbGKWrCDoi7J4zJC?f



Scale = 1:21.8

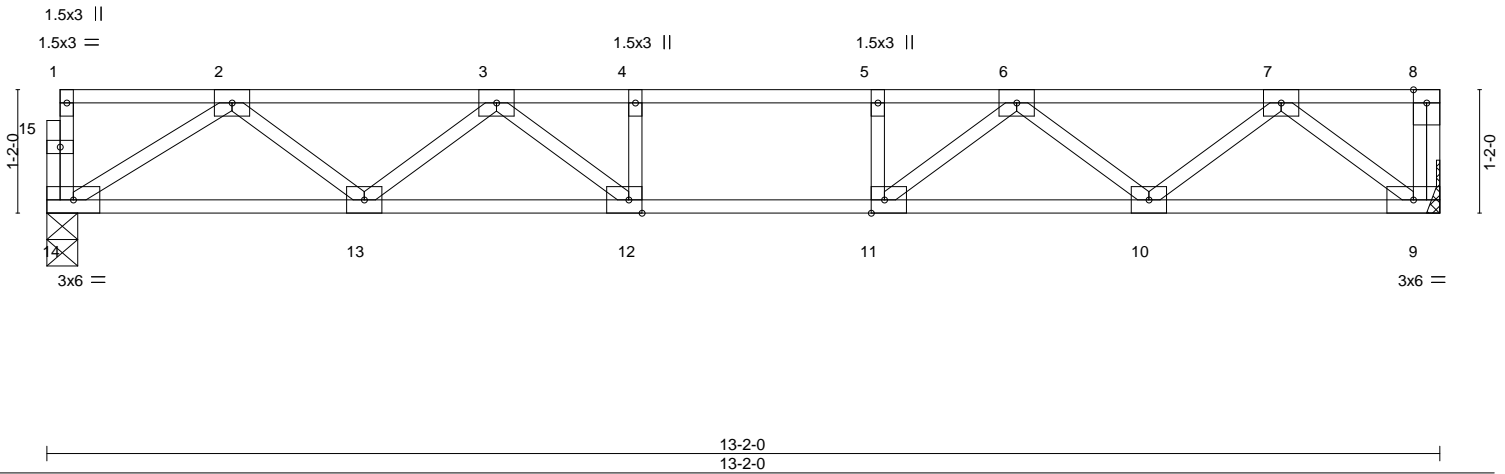


Plate Offsets (X, Y)--	[11:0-1-8,Edge], [12:0-1-8,Edge]						
LOADING (psf)	SPACING- 2-0-0	CSI.	DEFL. in (loc) l/defl L/d	PLATES	GRIP		
TCLL 40.0	Plate Grip DOL 1.00	TC 0.43	Vert(LL) -0.12 12-13 >999 480	MT20	244/190		
TCDL 10.0	Lumber DOL 1.00	BC 0.51	Vert(CT) -0.15 12-13 >999 360				
BCLL 0.0	Rep Stress Incr YES	WB 0.32	Horz(CT) 0.03 9 n/a n/a				
BCDL 5.0	Code IRC2015/TPI2014	Matrix-S					
						Weight: 66 lb	FT = 20%F, 11%E

LUMBER-		BRACING-	
TOP CHORD 2x4 SP No.1(flat)		TOP CHORD	Structural wood sheathing directly applied or 6-0-0 oc purlins, except end verticals.
BOT CHORD 2x4 SP No.1(flat)		BOT CHORD	Rigid ceiling directly applied or 10-0-0 oc bracing.
WEBS 2x4 SP No.3(flat)			

REACTIONS. (size) 14=0-3-8, 9=Mechanical
Max Grav 14=704(LC 1), 9=710(LC 1)

FORCES. (lb) - Max. Comp./Max. Ten. - All forces 250 (lb) or less except when shown.
TOP CHORD 2-3=-1491/0, 3-4=-2156/0, 4-5=-2156/0, 5-6=-2156/0, 6-7=-1389/0
BOT CHORD 13-14=0/1003, 12-13=0/1938, 11-12=0/2156, 10-11=0/1875, 9-10=0/872
WEBS 2-14=-1188/0, 2-13=0/635, 3-13=-582/0, 3-12=0/504, 7-9=-1094/0, 7-10=0/672, 6-10=-633/0, 6-11=0/562, 5-11=-265/0

- NOTES-**
- 1) Unbalanced floor live loads have been considered for this design.
 - 2) All plates are 3x4 MT20 unless otherwise indicated.
 - 3) Plates checked for a plus or minus 1 degree rotation about its center.
 - 4) Refer to girder(s) for truss to truss connections.
 - 5) Recommend 2x6 strongbacks, on edge, spaced at 10-0-0 oc and fastened to each truss with 3-10d (0.131" X 3") nails. Strongbacks to be attached to walls at their outer ends or restrained by other means.
 - 6) CAUTION, Do not erect truss backwards.



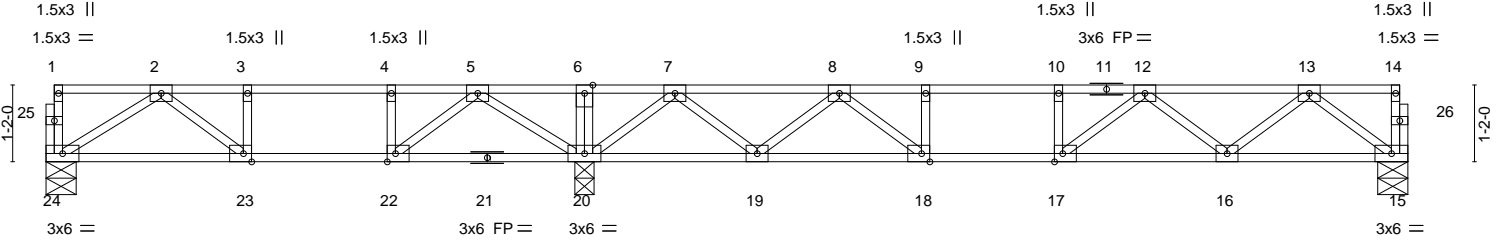
August 15, 2023

<p>WARNING - Verify design parameters and READ NOTES ON THIS AND INCLUDED MITEK REFERENCE PAGE MII-7473 rev. 1/2/2023 BEFORE USE.</p> <p>Design valid for use only with MiTek® connectors. This design is based only upon parameters shown, and is for an individual building component, not a truss system. Before use, the building designer must verify the applicability of design parameters and properly incorporate this design into the overall building design. Bracing indicated is to prevent buckling of individual truss web and/or chord members only. Additional temporary and permanent bracing is always required for stability and to prevent collapse with possible personal injury and property damage. For general guidance regarding the fabrication, storage, delivery, erection and bracing of trusses and truss systems, see ANSI/TPH Quality Criteria and DSB-22 available from Truss Plate Institute (www.tpinst.org) and BCSI Building Component Safety Information available from the Structural Building Component Association (www.sbcacomponents.com)</p>	<p>ENGINEERING BY TRENCO A MiTek Affiliate</p> <p>818 Soundside Road Edenton, NC 27932</p>
--	---

Job J0722-3743	Truss F04	Truss Type Floor	Qty 2	Ply 1	Lot 36 Liberty Meadows 160141736
-------------------	--------------	---------------------	----------	----------	-------------------------------------

Comtech, Inc. Fayetteville, NC - 28314,

8.430 s Jan 6 2022 MiTek Industries, Inc. Mon Aug 14 13:19:07 2023 Page 1
ID:r?yi3DAbxRr?CsKd7DtDjMygInZ-RfC?PsB70Hq3NSgPqnL8w3uITXbGKWrCDoi7J4zJC?f



	8-2-4 8-2-4	20-8-8 12-6-4
Plate Offsets (X, Y)--	[17:0-1-8,Edge], [18:0-1-8,Edge], [22:0-1-8,Edge], [23:0-1-8,Edge]	

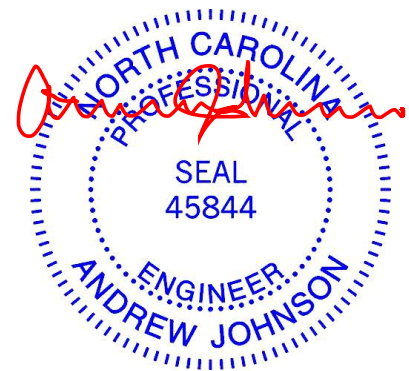
LOADING (psf)	SPACING-	2-0-0	CSI.	DEFL.	in (loc)	l/defl	L/d	PLATES	GRIP
TCLL 40.0	Plate Grip DOL	1.00	TC 0.42	Vert(LL)	-0.09 16-17	>999	480	MT20	244/190
TCDL 10.0	Lumber DOL	1.00	BC 0.46	Vert(CT)	-0.12 16-17	>999	360		
BCLL 0.0	Rep Stress Incr	YES	WB 0.34	Horz(CT)	0.02 15	n/a	n/a		
BCDL 5.0	Code IRC2015/TPI2014		Matrix-S						
								Weight: 103 lb	FT = 20%F, 11%E

LUMBER-	BRACING-
TOP CHORD 2x4 SP No.1(flat)	TOP CHORD Structural wood sheathing directly applied or 6-0-0 oc purlins, except end verticals.
BOT CHORD 2x4 SP No.1(flat)	BOT CHORD Rigid ceiling directly applied or 6-0-0 oc bracing.
WEBS 2x4 SP No.3(flat)	

REACTIONS. (size) 24=0-5-8, 20=0-3-8, 15=0-5-8
Max Grav 24=403(LC 3), 20=1256(LC 1), 15=640(LC 7)

FORCES. (lb) - Max. Comp./Max. Ten. - All forces 250 (lb) or less except when shown.
 TOP CHORD 2-3=-694/30, 3-4=-694/30, 4-5=-694/30, 5-6=0/704, 6-7=0/703, 7-8=-977/0, 8-9=-1777/0, 9-10=-1777/0, 10-12=-1777/0, 12-13=-1233/0
 BOT CHORD 23-24=0/505, 22-23=-30/694, 20-22=-263/350, 19-20=-11/451, 18-19=0/1479, 17-18=0/1777, 16-17=0/1635, 15-16=0/787
 WEBS 2-24=-595/0, 5-20=-788/0, 5-22=0/589, 4-22=-297/0, 7-20=-1110/0, 7-19=0/717, 8-19=-700/0, 13-15=-985/0, 13-16=0/581, 12-16=-522/0, 12-17=-32/331, 8-18=0/554, 9-18=-254/0

- NOTES-**
- 1) Unbalanced floor live loads have been considered for this design.
 - 2) All plates are 3x4 MT20 unless otherwise indicated.
 - 3) Plates checked for a plus or minus 1 degree rotation about its center.
 - 4) Recommend 2x6 strongbacks, on edge, spaced at 10-0-0 oc and fastened to each truss with 3-10d (0.131" X 3") nails. Strongbacks to be attached to walls at their outer ends or restrained by other means.
 - 5) CAUTION, Do not erect truss backwards.



August 15, 2023

<p>WARNING - Verify design parameters and READ NOTES ON THIS AND INCLUDED MITEK REFERENCE PAGE MII-7473 rev. 1/2/2023 BEFORE USE.</p> <p>Design valid for use only with MiTek® connectors. This design is based only upon parameters shown, and is for an individual building component, not a truss system. Before use, the building designer must verify the applicability of design parameters and properly incorporate this design into the overall building design. Bracing indicated is to prevent buckling of individual truss web and/or chord members only. Additional temporary and permanent bracing is always required for stability and to prevent collapse with possible personal injury and property damage. For general guidance regarding the fabrication, storage, delivery, erection and bracing of trusses and truss systems, see ANSI/TPH Quality Criteria and DSB-22 available from Truss Plate Institute (www.tpinst.org) and BCSI Building Component Safety Information available from the Structural Building Component Association (www.sbcacomponents.com)</p>	<p>ENGINEERING BY TRENCO A MiTek Affiliate</p> <p>818 Soundside Road Edenton, NC 27932</p>
--	---

Job J0722-3743	Truss F04A	Truss Type Floor	Qty 3	Ply 1	Lot 36 Liberty Meadows 160141737
-------------------	---------------	---------------------	----------	----------	-------------------------------------

Comtech, Inc. Fayetteville, NC - 28314,

8.430 s Jan 6 2022 MiTek Industries, Inc. Mon Aug 14 13:19:08 2023 Page 1
ID:r?yi3DAbxRr?CsKd7DtDjMygInZ-RfC?PsB70Hq3NSgPqnL8w3uITXbGKWrCDoi7J4zJC?f

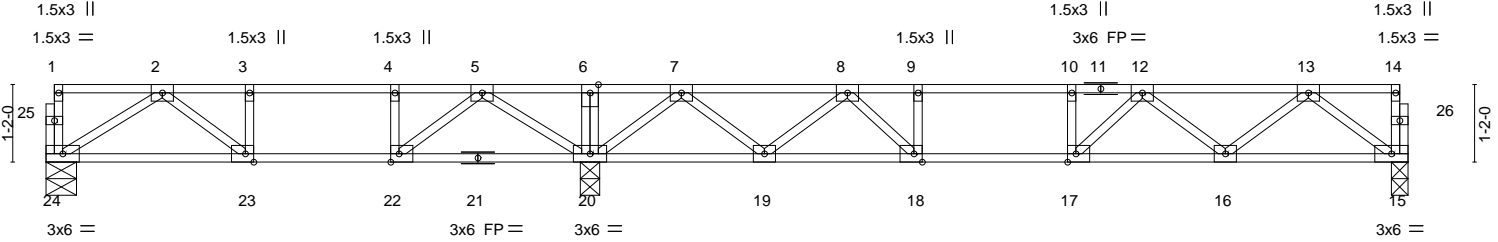


Plate Offsets (X,Y)--	[17:0-1-8,Edge], [18:0-1-8,Edge], [22:0-1-8,Edge], [23:0-1-8,Edge]
-----------------------	--

LOADING (psf)	SPACING-	2-0-0	CSI.	DEFL.	in (loc)	l/defl	L/d	PLATES	GRIP
TCLL 40.0	Plate Grip DOL	1.00	TC 0.43	Vert(LL)	-0.09 16-17	>999	480	MT20	244/190
TCDL 10.0	Lumber DOL	1.00	BC 0.46	Vert(CT)	-0.12 16-17	>999	360		
BCLL 0.0	Rep Stress Incr	YES	WB 0.33	Horz(CT)	0.02 15	n/a	n/a		
BCDL 5.0	Code IRC2015/TPI2014		Matrix-S						
								Weight: 101 lb	FT = 20%F, 11%E

LUMBER-	BRACING-
TOP CHORD 2x4 SP No.1(flat)	TOP CHORD Structural wood sheathing directly applied or 6-0-0 oc purlins, except end verticals.
BOT CHORD 2x4 SP No.1(flat)	BOT CHORD Rigid ceiling directly applied or 6-0-0 oc bracing.
WEBS 2x4 SP No.3(flat)	

REACTIONS. (size) 24=0-5-8, 20=0-3-8, 15=0-3-0
Max Grav 24=405(LC 3), 20=1235(LC 1), 15=631(LC 7)

FORCES. (lb) - Max. Comp./Max. Ten. - All forces 250 (lb) or less except when shown.
 TOP CHORD 2-3=-703/9, 3-4=-703/9, 4-5=-703/9, 5-6=0/652, 6-7=0/651, 7-8=-980/0, 8-9=-1721/0, 9-10=-1721/0, 10-12=-1721/0, 12-13=-1210/0
 BOT CHORD 23-24=0/509, 22-23=-9/703, 20-22=-229/363, 19-20=-0/473, 18-19=0/1467, 17-18=0/1721, 16-17=0/1601, 15-16=0/776
 WEBS 2-24=-599/0, 5-20=-785/0, 5-22=0/583, 4-22=-295/0, 7-20=-1086/0, 7-19=0/691, 8-19=-682/0, 13-15=-971/0, 13-16=0/566, 12-16=-508/0, 12-17=-27/324, 8-18=0/541, 9-18=-291/0

- NOTES-**
- 1) Unbalanced floor live loads have been considered for this design.
 - 2) All plates are 3x4 MT20 unless otherwise indicated.
 - 3) Plates checked for a plus or minus 1 degree rotation about its center.
 - 4) Recommend 2x6 strongbacks, on edge, spaced at 10-0-0 oc and fastened to each truss with 3-10d (0.131" X 3") nails. Strongbacks to be attached to walls at their outer ends or restrained by other means.
 - 5) CAUTION, Do not erect truss backwards.



Job	Truss	Truss Type	Qty	Ply	Lot 36 Liberty Meadows	60141738
J0722-3743	F05	Floor	1	1		
Comtech, Inc. Fayetteville, NC - 28314,						Job Reference (optional)

8.430 s Jan 6 2022 MiTek Industries, Inc. Mon Aug 14 13:19:10 2023 Page 1
 ID:r?yi3DAbxRr?CsKd7DtDjMygInZ-RfC?PsB70Hq3NSgPqnL8w3uITXbGKWrCDoi7J4zJC?f

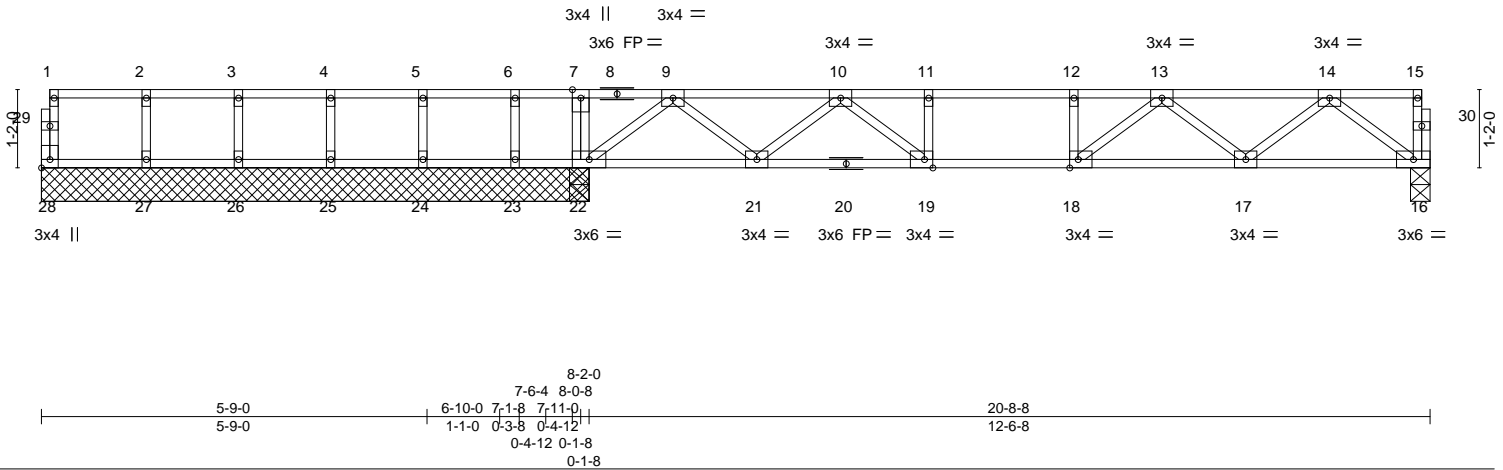


Plate Offsets (X,Y)--	[18:0-1-8,Edge], [19:0-1-8,Edge], [28:Edge,0-1-8]				
LOADING (psf)	SPACING- 2-0-0	CSI.	DEFL. in (loc) l/defl L/d	PLATES	GRIP
TCLL 40.0	Plate Grip DOL 1.00	TC 0.37	Vert(LL) -0.10 17-18 >999 480	MT20	244/190
TCDL 10.0	Lumber DOL 1.00	BC 0.45	Vert(CT) -0.12 17-18 >999 360		
BCLL 0.0	Rep Stress Incr YES	WB 0.30	Horz(CT) 0.03 16 n/a n/a		
BCDL 5.0	Code IRC2015/TPI2014	Matrix-S		Weight: 97 lb	FT = 20%F, 11%E

LUMBER-	BRACING-
TOP CHORD 2x4 SP No.1(flat)	TOP CHORD Structural wood sheathing directly applied or 6-0-0 oc purlins, except end verticals.
BOT CHORD 2x4 SP No.1(flat)	BOT CHORD Rigid ceiling directly applied or 10-0-0 oc bracing.
WEBS 2x4 SP No.3(flat)	

REACTIONS. All bearings 8-2-0 except (jt=length) 16=0-3-8.
 (lb) - Max Uplift All uplift 100 lb or less at joint(s) 23
 Max Grav All reactions 250 lb or less at joint(s) 28, 27, 26, 25, 24, 23 except 22=814(LC 1), 22=814(LC 1), 16=679(LC 1)

FORCES. (lb) - Max. Comp./Max. Ten. - All forces 250 (lb) or less except when shown.
 TOP CHORD 9-10=-1283/0, 10-11=-2005/0, 11-12=-2005/0, 12-13=-2005/0, 13-14=-1327/0
 BOT CHORD 21-22=0/795, 19-21=0/1758, 18-19=0/2005, 17-18=0/1780, 16-17=0/838
 WEBS 9-22=-996/0, 9-21=0/636, 10-21=-618/0, 10-19=0/513, 14-16=-1049/0, 14-17=0/637, 13-17=-589/0, 13-18=0/492

- NOTES-**
- 1) Unbalanced floor live loads have been considered for this design.
 - 2) All plates are 1.5x3 MT20 unless otherwise indicated.
 - 3) Plates checked for a plus or minus 1 degree rotation about its center.
 - 4) Provide mechanical connection (by others) of truss to bearing plate capable of withstanding 100 lb uplift at joint(s) 23.
 - 5) Recommend 2x6 strongbacks, on edge, spaced at 10-0-0 oc and fastened to each truss with 3-10d (0.131" X 3") nails. Strongbacks to be attached to walls at their outer ends or restrained by other means.
 - 6) CAUTION, Do not erect truss backwards.



August 15, 2023

<p>WARNING - Verify design parameters and READ NOTES ON THIS AND INCLUDED MITEK REFERENCE PAGE MII-7473 rev. 1/2/2023 BEFORE USE.</p> <p>Design valid for use only with MiTek® connectors. This design is based only upon parameters shown, and is for an individual building component, not a truss system. Before use, the building designer must verify the applicability of design parameters and properly incorporate this design into the overall building design. Bracing indicated is to prevent buckling of individual truss web and/or chord members only. Additional temporary and permanent bracing is always required for stability and to prevent collapse with possible personal injury and property damage. For general guidance regarding the fabrication, storage, delivery, erection and bracing of trusses and truss systems, see ANSI/TPH Quality Criteria and DSB-22 available from Truss Plate Institute (www.tpinst.org) and BCSI Building Component Safety Information available from the Structural Building Component Association (www.sbcacomponents.com)</p>	<p>818 Soundside Road Edenton, NC 27932</p>
--	---

Job J0722-3743	Truss F06	Truss Type Floor	Qty 2	Ply 1	Lot 36 Liberty Meadows 160141739
-------------------	--------------	---------------------	----------	----------	-------------------------------------

Comtech, Inc. Fayetteville, NC - 28314,

8.430 s Jan 6 2022 MiTek Industries, Inc. Mon Aug 14 13:19:11 2023 Page 1
ID:r?yi3DAbxRr?CsKd7DtDjMygInZ-RfC?PsB70Hq3NSgPqnL8w3uITXbGKWrCDoi7J4zJC?f

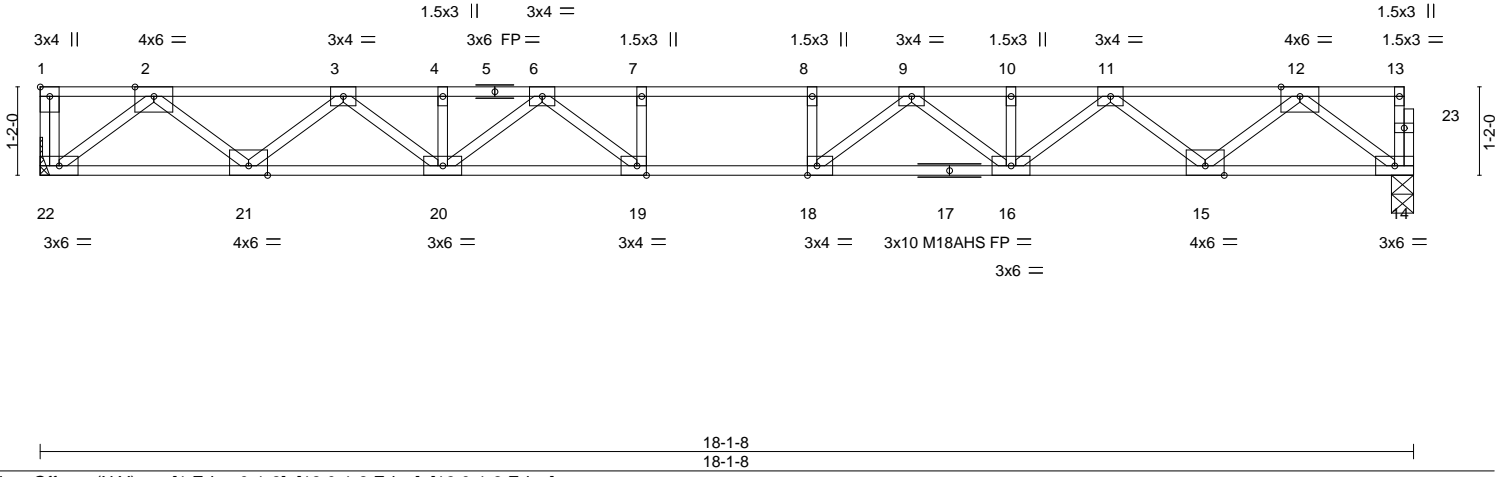
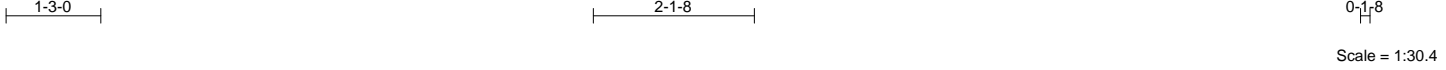


Plate Offsets (X,Y)--	[1:Edge,0-1-8], [18:0-1-8,Edge], [19:0-1-8,Edge]				
LOADING (psf)	SPACING- 2-0-0	CSI.	DEFL. in (loc) l/defl L/d	PLATES	GRIP
TCLL 40.0	Plate Grip DOL 1.00	TC 0.38	Vert(LL) -0.24 18-19 >881 480	MT20	244/190
TCDL 10.0	Lumber DOL 1.00	BC 0.48	Vert(CT) -0.33 18-19 >641 360	M18AHS	186/179
BCLL 0.0	Rep Stress Incr YES	WB 0.53	Horz(CT) 0.06 14 n/a n/a		
BCDL 5.0	Code IRC2015/TPI2014	Matrix-S		Weight: 92 lb	FT = 20%F, 11%E

LUMBER-	BRACING-
TOP CHORD 2x4 SP 2400F 2.0E(flat)	TOP CHORD Structural wood sheathing directly applied or 6-0-0 oc purlins, except end verticals.
BOT CHORD 2x4 SP 2400F 2.0E(flat)	BOT CHORD Rigid ceiling directly applied or 10-0-0 oc bracing.
WEBS 2x4 SP No.3(flat)	

REACTIONS. (size) 22=Mechanical, 14=0-3-8
Max Grav 22=983(LC 1), 14=977(LC 1)

FORCES. (lb) - Max. Comp./Max. Ten. - All forces 250 (lb) or less except when shown.
TOP CHORD 2-3=-2075/0, 3-4=-3469/0, 4-6=-3469/0, 6-7=-4167/0, 7-8=-4167/0, 8-9=-4167/0, 9-10=-3469/0, 10-11=-3469/0, 11-12=-2075/0
BOT CHORD 21-22=0/1229, 20-21=0/2888, 19-20=0/3892, 18-19=0/4167, 16-18=0/3892, 15-16=0/2889, 14-15=0/1228
WEBS 2-22=-1541/0, 2-21=0/1102, 3-21=-1058/0, 3-20=0/742, 12-14=-1538/0, 12-15=0/1103, 11-15=-1059/0, 11-16=0/741, 9-16=-539/0, 9-18=-56/690, 6-20=-539/0, 6-19=-56/690, 7-19=-319/0, 8-18=-319/0

- NOTES-**
- 1) Unbalanced floor live loads have been considered for this design.
 - 2) All plates are MT20 plates unless otherwise indicated.
 - 3) Plates checked for a plus or minus 1 degree rotation about its center.
 - 4) Refer to girder(s) for truss to truss connections.
 - 5) Recommend 2x6 strongbacks, on edge, spaced at 10-0-0 oc and fastened to each truss with 3-10d (0.131" X 3") nails. Strongbacks to be attached to walls at their outer ends or restrained by other means.
 - 6) CAUTION, Do not erect truss backwards.



August 15, 2023

Job J0722-3743	Truss F06A	Truss Type Floor	Qty 1	Ply 1	Lot 36 Liberty Meadows Job Reference (optional)	160141740
-------------------	---------------	---------------------	----------	----------	--	-----------

Comtech, Inc. Fayetteville, NC - 28314,

8.430 s Jan 6 2022 MiTek Industries, Inc. Mon Aug 14 13:19:12 2023 Page 1
ID:r?yi3DAbxRr?CsKd7DtDjMygInZ-RfC?PsB70Hq3NSgPqnL8w3uITXbGKWrCDoi7J4zJC?f

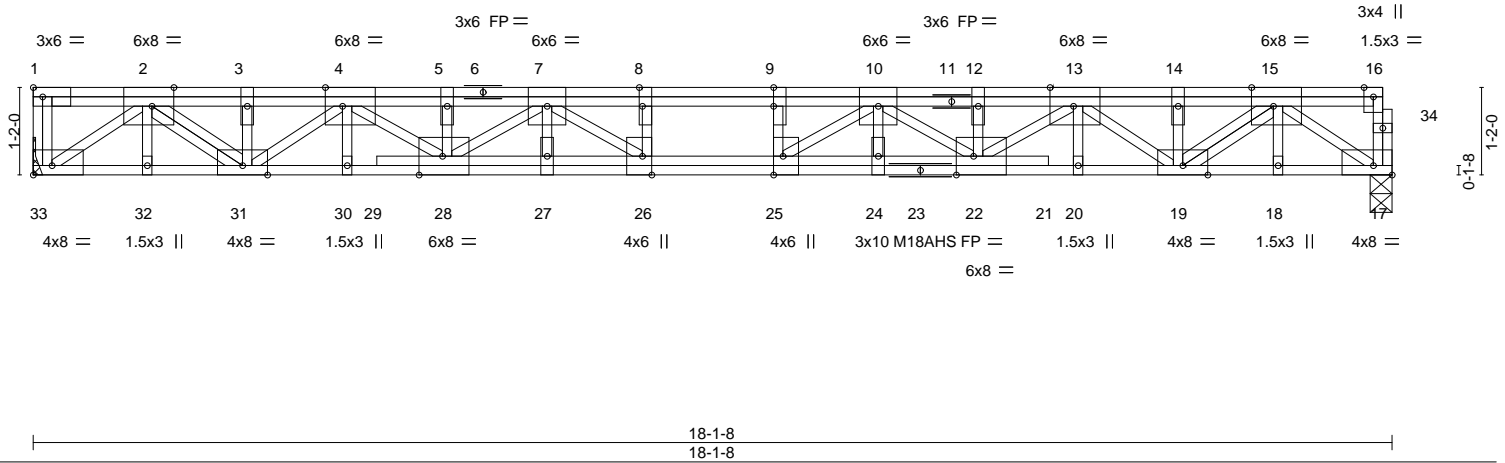
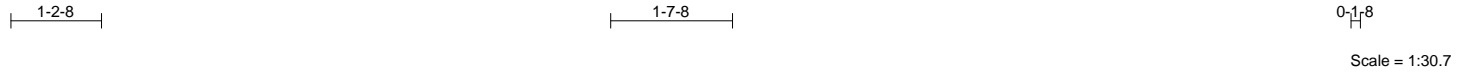


Plate Offsets (X, Y)--	[2:0-3-8,Edge], [4:0-2-12,Edge], [8:0-3-0,Edge], [9:0-3-0,Edge], [13:0-3-12,Edge], [15:0-3-8,Edge], [17:Edge,0-1-8], [22:0-2-12,Edge], [25:0-3-0,Edge], [26:0-3-0,Edge], [28:0-3-12,Edge], [33:Edge,0-1-8]
------------------------	--

LOADING (psf)	SPACING-	2-0-0	CSI.	DEFL.	in (loc)	l/defl	L/d	PLATES	GRIP
TCLL 40.0	Plate Grip DOL	1.00	TC 0.31	Vert(LL)	-0.17 25-26	>999	480	MT20	244/190
TCDL 10.0	Lumber DOL	1.00	BC 0.71	Vert(CT)	-0.45 25-26	>475	360	M18AHS	186/179
BCLL 0.0	Rep Stress Incr	NO	WB 0.94	Horz(CT)	0.09 17	n/a	n/a		
BCDL 5.0	Code IRC2015/TPI2014		Matrix-S						
								Weight: 141 lb	FT = 20%F, 11%E

LUMBER-	BRACING-
TOP CHORD 2x4 SP 2400F 2.0E(flat)	TOP CHORD Structural wood sheathing directly applied or 6-0-0 oc purlins, except end verticals.
BOT CHORD 2x4 SP 2400F 2.0E(flat)	BOT CHORD Rigid ceiling directly applied or 10-0-0 oc bracing.
WEBS 2x4 SP No.3(flat)	

REACTIONS. (size) 33=Mechanical, 17=0-3-8
Max Grav 33=1877(LC 1), 17=1864(LC 1)

FORCES. (lb) - Max. Comp./Max. Ten. - All forces 250 (lb) or less except when shown.
TOP CHORD 2-3=-4395/0, 3-4=-4417/0, 4-5=-7551/0, 5-7=-7551/0, 7-8=-8958/0, 8-9=-8958/0, 9-10=-8958/0, 10-12=-7551/0, 12-13=-7551/0, 13-14=-4419/0, 14-15=-4395/0
BOT CHORD 32-33=0/2488, 31-32=0/2490, 30-31=0/5928, 28-30=0/5930, 27-28=0/8493, 26-27=0/8493, 25-26=0/8958, 24-25=0/8493, 22-24=0/8493, 20-22=0/5930, 19-20=0/5927, 18-19=0/2482, 17-18=0/2481
WEBS 2-33=-3000/0, 2-31=0/2443, 3-31=-392/0, 4-31=-1847/0, 4-28=0/1970, 5-28=-277/0, 7-28=-1143/0, 7-26=0/928, 8-26=-390/0, 15-17=-2979/0, 15-19=0/2453, 14-19=-400/0, 13-19=-1846/0, 13-22=0/1970, 12-22=-277/0, 10-22=-1144/0, 10-25=0/928, 9-25=-390/0

- NOTES-**
- 1) Unbalanced floor live loads have been considered for this design.
 - 2) All plates are MT20 plates unless otherwise indicated.
 - 3) All plates are 2x6 MT20 unless otherwise indicated.
 - 4) Plates checked for a plus or minus 1 degree rotation about its center.
 - 5) Refer to girder(s) for truss to truss connections.
 - 6) Load case(s) 1, 2, 3, 4, 5, 6 has/have been modified. Building designer must review loads to verify that they are correct for the intended use of this truss.
 - 7) Recommend 2x6 strongbacks, on edge, spaced at 10-0-0 oc and fastened to each truss with 3-10d (0.131" X 3") nails. Strongbacks to be attached to walls at their outer ends or restrained by other means.
 - 8) CAUTION, Do not erect truss backwards.

- LOAD CASE(S)** Standard
- 1) Dead + Floor Live (balanced): Lumber Increase=1.00, Plate Increase=1.00
Uniform Loads (plf)
Vert: 17-33=-10, 1-16=-200
 - 2) Dead: Lumber Increase=1.00, Plate Increase=1.00
Uniform Loads (plf)
Vert: 17-33=-10, 1-16=-200
 - 3) 1st chase Dead + Floor Live (unbalanced): Lumber Increase=1.00, Plate Increase=1.00



Continued on page 2

<p>WARNING - Verify design parameters and READ NOTES ON THIS AND INCLUDED MITEK REFERENCE PAGE MII-7473 rev. 1/2/2023 BEFORE USE.</p> <p>Design valid for use only with MiTek® connectors. This design is based only upon parameters shown, and is for an individual building component, not a truss system. Before use, the building designer must verify the applicability of design parameters and properly incorporate this design into the overall building design. Bracing indicated is to prevent buckling of individual truss web and/or chord members only. Additional temporary and permanent bracing is always required for stability and to prevent collapse with possible personal injury and property damage. For general guidance regarding the fabrication, storage, delivery, erection and bracing of trusses and truss systems, see ANSI/TPH Quality Criteria and DSB-22 available from Truss Plate Institute (www.tpinst.org) and BCSI Building Component Safety Information available from the Structural Building Component Association (www.sbcacomponents.com)</p>	<p>ENGINEERING BY TRENCO A MiTek Affiliate</p> <p>818 Soundside Road Edenton, NC 27932</p>
--	---

Job	Truss	Truss Type	Qty	Ply	Lot 36 Liberty Meadows	I60141740
J0722-3743	F06A	Floor	1	1	Job Reference (optional)	

Comtech, Inc. Fayetteville, NC - 28314,

8.430 s Jan 6 2022 MiTek Industries, Inc. Mon Aug 14 13:19:12 2023 Page 2
 ID:r?yi3DAbxRr?CsKd7DtDjMygInZ-RfC?PsB70Hq3NSgPqnL8w3ulTXbGKWrcDoi7J4zJC?f

LOAD CASE(S) Standard

Uniform Loads (plf)

Vert: 17-33=-10, 1-9=-200, 9-16=-120

4) 2nd chase Dead + Floor Live (unbalanced): Lumber Increase=1.00, Plate Increase=1.00

Uniform Loads (plf)

Vert: 17-33=-10, 1-8=-120, 8-16=-200

5) 3rd chase Dead: Lumber Increase=1.00, Plate Increase=1.00

Uniform Loads (plf)

Vert: 17-33=-10, 1-9=-200, 9-16=-120

6) 4th chase Dead: Lumber Increase=1.00, Plate Increase=1.00

Uniform Loads (plf)

Vert: 17-33=-10, 1-8=-120, 8-16=-200

WARNING - Verify design parameters and READ NOTES ON THIS AND INCLUDED MITEK REFERENCE PAGE MII-7473 rev. 1/2/2023 BEFORE USE.

Design valid for use only with MiTek® connectors. This design is based only upon parameters shown, and is for an individual building component, not a truss system. Before use, the building designer must verify the applicability of design parameters and properly incorporate this design into the overall building design. Bracing indicated is to prevent buckling of individual truss web and/or chord members only. Additional temporary and permanent bracing is always required for stability and to prevent collapse with possible personal injury and property damage. For general guidance regarding the fabrication, storage, delivery, erection and bracing of trusses and truss systems, see **ANSI/TP1 Quality Criteria and DSB-22** available from Truss Plate Institute (www.tpinst.org) and **BCSI Building Component Safety Information** available from the Structural Building Component Association (www.sbcacomponents.com)



818 Soundside Road
 Edenton, NC 27932

Job J0722-3743	Truss F07	Truss Type Floor	Qty 3	Ply 1	Lot 36 Liberty Meadows I60141741
-------------------	--------------	---------------------	----------	----------	-------------------------------------

Comtech, Inc. Fayetteville, NC - 28314,

8.430 s Jan 6 2022 MiTek Industries, Inc. Mon Aug 14 13:19:13 2023 Page 1
ID:r?yi3DAbxRr?CsKd7DtDjMyglnZ-RfC?PsB70Hq3NSgPqnL8w3uITXbGKWrCDoi7J4zJC?f

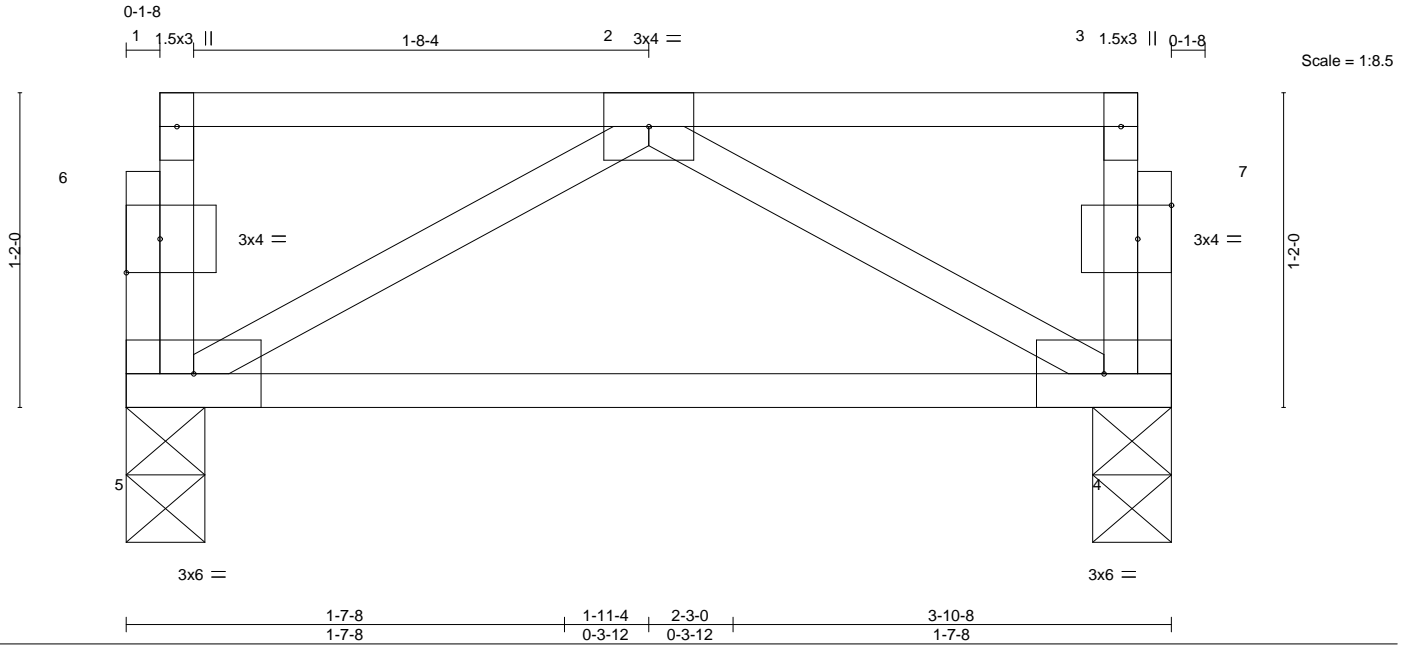


Plate Offsets (X,Y)--	[6:0-1-8,0-1-8], [7:0-1-8,0-1-8]				
LOADING (psf)	SPACING- 2-0-0	CSI.	DEFL. in (loc) l/defl L/d	PLATES	GRIP
TCLL 40.0	Plate Grip DOL 1.00	TC 0.13	Vert(LL) 0.00 5 **** 480	MT20	244/190
TCDL 10.0	Lumber DOL 1.00	BC 0.12	Vert(CT) -0.02 4-5 >999 360		
BCLL 0.0	Rep Stress Incr YES	WB 0.05	Horz(CT) 0.00 4 n/a n/a		
BCDL 5.0	Code IRC2015/TPI2014	Matrix-P		Weight: 22 lb	FT = 20%F, 11%E

LUMBER-	BRACING-
TOP CHORD 2x4 SP No.1(flat)	TOP CHORD Structural wood sheathing directly applied or 3-10-8 oc purlins, except end verticals.
BOT CHORD 2x4 SP No.1(flat)	BOT CHORD Rigid ceiling directly applied or 10-0-0 oc bracing.
WEBS 2x4 SP No.3(flat)	

REACTIONS. (size) 5=0-3-8, 4=0-3-8
Max Grav 5=193(LC 1), 4=193(LC 1)

FORCES. (lb) - Max. Comp./Max. Ten. - All forces 250 (lb) or less except when shown.

NOTES-
1) Plates checked for a plus or minus 1 degree rotation about its center.
2) Recommend 2x6 strongbacks, on edge, spaced at 10-0-0 oc and fastened to each truss with 3-10d (0.131" X 3") nails. Strongbacks to be attached to walls at their outer ends or restrained by other means.



August 15, 2023

<p>WARNING - Verify design parameters and READ NOTES ON THIS AND INCLUDED MITEK REFERENCE PAGE MII-7473 rev. 1/2/2023 BEFORE USE.</p> <p>Design valid for use only with MiTek® connectors. This design is based only upon parameters shown, and is for an individual building component, not a truss system. Before use, the building designer must verify the applicability of design parameters and properly incorporate this design into the overall building design. Bracing indicated is to prevent buckling of individual truss web and/or chord members only. Additional temporary and permanent bracing is always required for stability and to prevent collapse with possible personal injury and property damage. For general guidance regarding the fabrication, storage, delivery, erection and bracing of trusses and truss systems, see ANSI/TPH Quality Criteria and DSB-22 available from Truss Plate Institute (www.tpinst.org) and BCSI Building Component Safety Information available from the Structural Building Component Association (www.sbcacomponents.com)</p>	<p>ENGINEERING BY TRENCO A MiTek Affiliate</p> <p>818 Soundside Road Edenton, NC 27932</p>
--	---

Job J0722-3743	Truss FKW1	Truss Type GABLE	Qty 1	Ply 1	Lot 36 Liberty Meadows Job Reference (optional)	160141742
-------------------	---------------	---------------------	----------	----------	--	-----------

Comtech, Inc. Fayetteville, NC - 28314,

8.430 s Jan 6 2022 MiTek Industries, Inc. Mon Aug 14 13:19:14 2023 Page 1
ID:r?yi3DAbxRr?CsKd7DtDjMygInZ-RfC?PsB70Hq3NSgPqnL8w3uITXbGKWrCDoi7J4zJC?f

0-1-8

Scale = 1:22.3

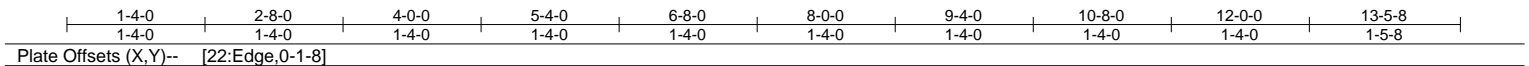
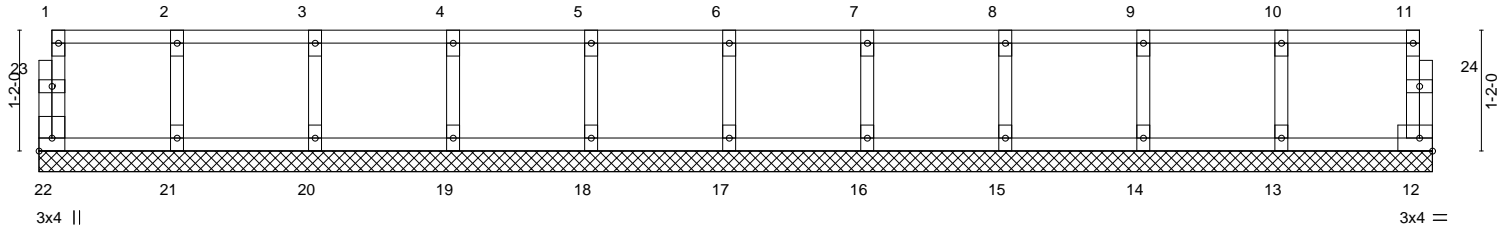


Plate Offsets (X,Y)-- [22:Edge,0-1-8]											
LOADING (psf)	SPACING-	2-0-0	CSI.	DEFL.	in (loc)	l/defl	L/d	PLATES	GRIP		
TCLL 40.0	Plate Grip DOL	1.00	TC 0.07	Vert(LL)	n/a	-	n/a	MT20	244/190		
TCDL 10.0	Lumber DOL	1.00	BC 0.01	Vert(CT)	n/a	-	n/a				
BCLL 0.0	Rep Stress Incr	YES	WB 0.03	Horz(CT)	0.00	12	n/a				
BCDL 5.0	Code IRC2015/TPI2014		Matrix-R								
								Weight: 57 lb	FT = 20%F, 11%E		

LUMBER-	BRACING-
TOP CHORD 2x4 SP No.1(flat)	TOP CHORD Structural wood sheathing directly applied or 6-0-0 oc purlins, except end verticals.
BOT CHORD 2x4 SP No.1(flat)	BOT CHORD Rigid ceiling directly applied or 10-0-0 oc bracing.
WEBS 2x4 SP No.3(flat)	
OTHERS 2x4 SP No.3(flat)	

REACTIONS. All bearings 13-5-8.
(lb) - Max Grav All reactions 250 lb or less at joint(s) 22, 12, 21, 20, 19, 18, 17, 16, 15, 14, 13

FORCES. (lb) - Max. Comp./Max. Ten. - All forces 250 (lb) or less except when shown.

- NOTES-**
- All plates are 1.5x3 MT20 unless otherwise indicated.
 - Plates checked for a plus or minus 1 degree rotation about its center.
 - Gable requires continuous bottom chord bearing.
 - Truss to be fully sheathed from one face or securely braced against lateral movement (i.e. diagonal web).
 - Gable studs spaced at 1-4-0 oc.
 - Recommend 2x6 strongbacks, on edge, spaced at 10-0-0 oc and fastened to each truss with 3-10d (0.131" X 3") nails. Strongbacks to be attached to walls at their outer ends or restrained by other means.
 - CAUTION, Do not erect truss backwards.



August 15, 2023

Job J0722-3743	Truss FKW3	Truss Type GABLE	Qty 1	Ply 1	Lot 36 Liberty Meadows Job Reference (optional)	I60141743
-------------------	---------------	---------------------	----------	----------	--	-----------

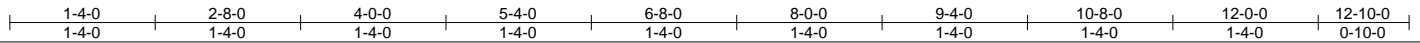
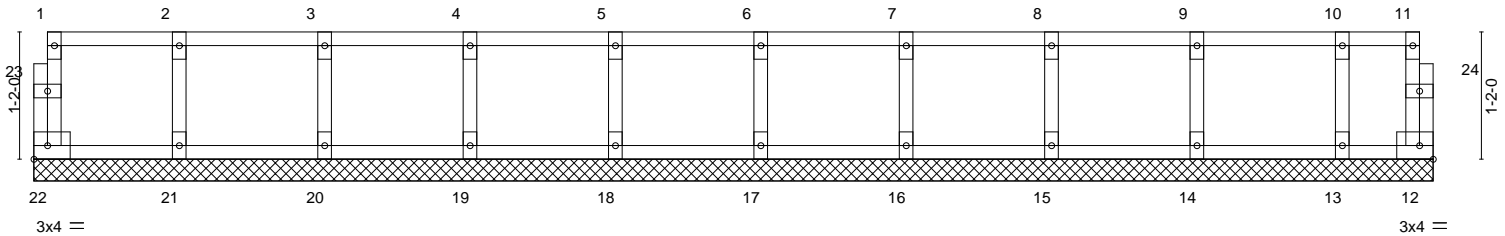
Comtech, Inc. Fayetteville, NC - 28314,

8.430 s Jan 6 2022 MiTek Industries, Inc. Mon Aug 14 13:19:15 2023 Page 1
ID:r?yi3DAbxRr?CsKd7DtDjMygInZ-RfC?PsB70Hq3NSgPqnL8w3ulTXbGKWrCDoi7J4zJC?f

0 1/8

0 1/8

Scale = 1:21.1



LOADING (psf)	SPACING-	2-0-0	CSI.	DEFL.	in (loc)	l/defl	L/d	PLATES	GRIP	
TCLL 40.0	Plate Grip DOL	1.00	TC 0.06	Vert(LL)	n/a	-	n/a	999	MT20	244/190
TCDL 10.0	Lumber DOL	1.00	BC 0.01	Vert(CT)	n/a	-	n/a	999		
BCLL 0.0	Rep Stress Incr	YES	WB 0.03	Horz(CT)	0.00	12	n/a	n/a		
BCDL 5.0	Code IRC2015/TPI2014		Matrix-R						Weight: 55 lb	FT = 20%F, 11%E

LUMBER-

TOP CHORD 2x4 SP No.1(flat)
 BOT CHORD 2x4 SP No.1(flat)
 WEBS 2x4 SP No.3(flat)
 OTHERS 2x4 SP No.3(flat)

BRACING-

TOP CHORD Structural wood sheathing directly applied or 6-0-0 oc purlins, except end verticals.
 BOT CHORD Rigid ceiling directly applied or 10-0-0 oc bracing.

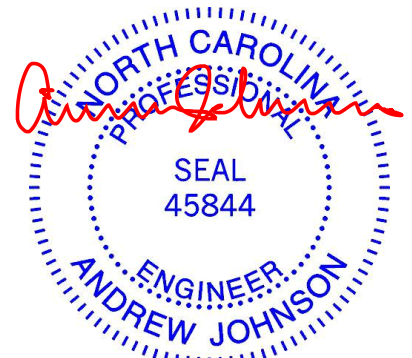
REACTIONS.

All bearings 12-10-0.
 (lb) - Max Grav All reactions 250 lb or less at joint(s) 22, 12, 21, 20, 19, 18, 17, 16, 15, 14, 13

FORCES. (lb) - Max. Comp./Max. Ten. - All forces 250 (lb) or less except when shown.

NOTES-

- All plates are 1.5x3 MT20 unless otherwise indicated.
- Plates checked for a plus or minus 1 degree rotation about its center.
- Gable requires continuous bottom chord bearing.
- Truss to be fully sheathed from one face or securely braced against lateral movement (i.e. diagonal web).
- Gable studs spaced at 1-4-0 oc.
- Recommend 2x6 strongbacks, on edge, spaced at 10-0-0 oc and fastened to each truss with 3-10d (0.131" X 3") nails. Strongbacks to be attached to walls at their outer ends or restrained by other means.



August 15, 2023

WARNING - Verify design parameters and READ NOTES ON THIS AND INCLUDED MITEK REFERENCE PAGE MII-7473 rev. 1/2/2023 BEFORE USE.

Design valid for use only with MiTek® connectors. This design is based only upon parameters shown, and is for an individual building component, not a truss system. Before use, the building designer must verify the applicability of design parameters and properly incorporate this design into the overall building design. Bracing indicated is to prevent buckling of individual truss web and/or chord members only. Additional temporary and permanent bracing is always required for stability and to prevent collapse with possible personal injury and property damage. For general guidance regarding the fabrication, storage, delivery, erection and bracing of trusses and truss systems, see **ANSI/TP1 Quality Criteria and DSB-22** available from Truss Plate Institute (www.tpinst.org) and **BCSI Building Component Safety Information** available from the Structural Building Component Association (www.sbcacomponents.com)

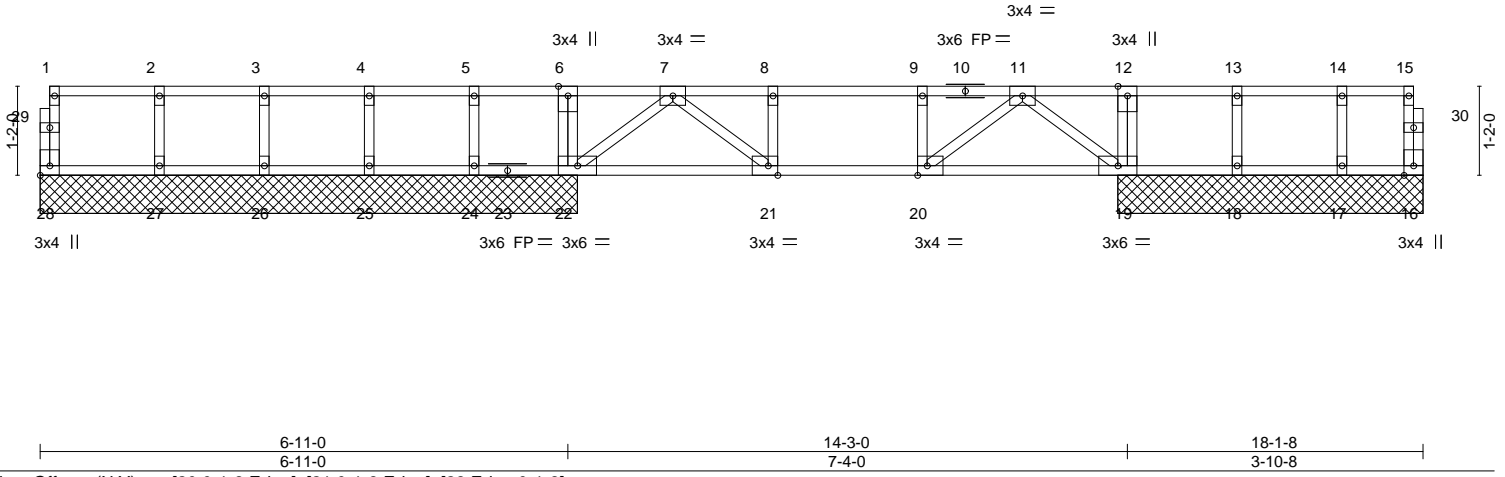
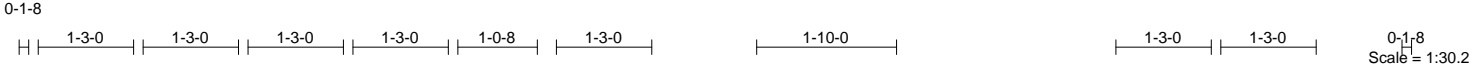


818 Soundside Road
 Edenton, NC 27932

Job J0722-3743	Truss FKW6	Truss Type Floor	Qty 1	Ply 1	Lot 36 Liberty Meadows Job Reference (optional)	I60141744
-------------------	---------------	---------------------	----------	----------	--	-----------

Comtech, Inc. Fayetteville, NC - 28314,

8.430 s Jan 6 2022 MiTek Industries, Inc. Mon Aug 14 13:19:16 2023 Page 1
ID:r?yi3DAbxRr?CsKd7DtDjMygInZ-RfC?PsB70Hq3NSgPqnL8w3uITXbGKWrCDoi7J4zJC?f



LOADING (psf)	SPACING-	2-0-0	CSI.	DEFL.	in (loc)	l/defl	L/d	PLATES	GRIP
TCLL 40.0	Plate Grip DOL	1.00	TC 0.30	Vert(LL)	-0.02	21	>999	MT20	244/190
TCDL 10.0	Lumber DOL	1.00	BC 0.31	Vert(CT)	-0.04	21	>999		
BCLL 0.0	Rep Stress Incr	NO	WB 0.30	Horz(CT)	0.01	16	n/a		
BCDL 5.0	Code IRC2015/TPI2014		Matrix-S						
								Weight: 84 lb	FT = 20%F, 11%E

LUMBER-
TOP CHORD 2x4 SP No.1(flat)
BOT CHORD 2x4 SP No.1(flat)
WEBS 2x4 SP No.3(flat)

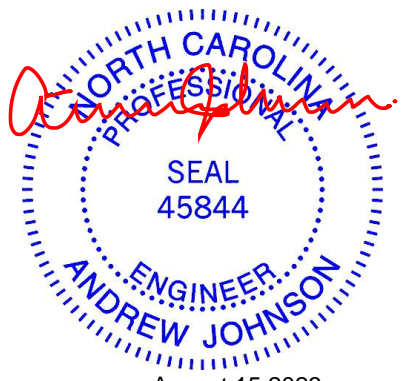
BRACING-
TOP CHORD Structural wood sheathing directly applied or 6-0-0 oc purlins, except end verticals.
BOT CHORD Rigid ceiling directly applied or 10-0-0 oc bracing.

REACTIONS. All bearings 7-0-8 except (jt=length) 16=4-0-0, 19=4-0-0, 18=4-0-0, 17=4-0-0.
(lb) - Max Uplift All uplift 100 lb or less at joint(s) 24
Max Grav All reactions 250 lb or less at joint(s) 28, 16, 27, 26, 25, 18, 17, 24 except 19=882(LC 4), 22=877(LC 1)

FORCES. (lb) - Max. Comp./Max. Ten. - All forces 250 (lb) or less except when shown.
TOP CHORD 7-8=-1254/0, 8-9=-1254/0, 9-11=-1254/0
BOT CHORD 21-22=0/794, 20-21=0/1254, 19-20=0/791
WEBS 7-22=-996/0, 7-21=0/619, 8-21=-350/0, 11-19=-990/0, 11-20=0/622, 9-20=-351/0

- NOTES-**
- Unbalanced floor live loads have been considered for this design.
 - All plates are 1.5x3 MT20 unless otherwise indicated.
 - Plates checked for a plus or minus 1 degree rotation about its center.
 - Provide mechanical connection (by others) of truss to bearing plate capable of withstanding 100 lb uplift at joint(s) 24.
 - Load case(s) 1, 2, 3, 4, 5, 6, 7, 8, 9, 10, 11, 12, 13, 14, 15, 16, 17, 18, 19, 20, 21, 22, 23, 24, 25, 26, 27, 28, 29, 30, 31, 32, 33, 34, 35, 36, 37, 38, 39, 40, 41, 42 has/have been modified. Building designer must review loads to verify that they are correct for the intended use of this truss.
 - Recommend 2x6 strongbacks, on edge, spaced at 10-0-0 oc and fastened to each truss with 3-10d (0.131" X 3") nails. Strongbacks to be attached to walls at their outer ends or restrained by other means.
 - CAUTION, Do not erect truss backwards.

- LOAD CASE(S)** Standard
- Dead + Floor Live (balanced): Lumber Increase=1.00, Plate Increase=1.00
Uniform Loads (plf)
Vert: 16-28=-10, 1-6=-100, 6-12=-200, 12-15=-100
 - Dead: Lumber Increase=1.00, Plate Increase=1.00
Uniform Loads (plf)
Vert: 16-28=-10, 1-6=-100, 6-12=-200, 12-15=-100
 - 1st Dead + Floor Live (unbalanced): Lumber Increase=1.00, Plate Increase=1.00
Uniform Loads (plf)
Vert: 16-28=-10, 1-6=-100, 6-12=-120, 12-15=-20
 - 2nd Dead + Floor Live (unbalanced): Lumber Increase=1.00, Plate Increase=1.00
Uniform Loads (plf)
Vert: 16-28=-10, 1-6=-20, 6-12=-200, 12-15=-100



August 15, 2023

Job	Truss	Truss Type	Qty	Ply	Lot 36 Liberty Meadows
J0722-3743	FKW6	Floor	1	1	I60141744
					Job Reference (optional)

Comtech, Inc. Fayetteville, NC - 28314,

8.430 s Jan 6 2022 MiTek Industries, Inc. Mon Aug 14 13:19:16 2023 Page 2
 ID:r?yi3DAbxRr?CsKd7DtDjMygInZ-RfC?PsB70Hq3NSgPqnL8w3uITXbGKWrCDoi7J4zJC?f

LOAD CASE(S) Standard

- 5) 3rd unbalanced Dead: Lumber Increase=1.00, Plate Increase=1.00
Uniform Loads (plf)
Vert: 16-28=-10, 1-6=-100, 6-12=-120, 12-15=-20
- 6) 4th unbalanced Dead: Lumber Increase=1.00, Plate Increase=1.00
Uniform Loads (plf)
Vert: 16-28=-10, 1-6=-20, 6-12=-200, 12-15=-100
- 7) 1st chase Dead + Floor Live (unbalanced): Lumber Increase=1.00, Plate Increase=1.00
Uniform Loads (plf)
Vert: 16-28=-10, 1-6=-100, 6-12=-200, 12-15=-100
- 8) 2nd chase Dead + Floor Live (unbalanced): Lumber Increase=1.00, Plate Increase=1.00
Uniform Loads (plf)
Vert: 16-28=-10, 1-6=-100, 6-12=-200, 12-15=-100
- 9) 3rd chase Dead + Floor Live (unbalanced): Lumber Increase=1.00, Plate Increase=1.00
Uniform Loads (plf)
Vert: 16-28=-10, 1-6=-100, 6-12=-200, 12-15=-100
- 10) 4th chase Dead + Floor Live (unbalanced): Lumber Increase=1.00, Plate Increase=1.00
Uniform Loads (plf)
Vert: 16-28=-10, 1-6=-100, 6-12=-200, 12-15=-100
- 11) 5th chase Dead + Floor Live (unbalanced): Lumber Increase=1.00, Plate Increase=1.00
Uniform Loads (plf)
Vert: 16-28=-10, 1-6=-100, 6-12=-200, 12-15=-100
- 12) 6th chase Dead + Floor Live (unbalanced): Lumber Increase=1.00, Plate Increase=1.00
Uniform Loads (plf)
Vert: 16-28=-10, 1-6=-100, 6-12=-200, 12-15=-100
- 13) 7th chase Dead + Floor Live (unbalanced): Lumber Increase=1.00, Plate Increase=1.00
Uniform Loads (plf)
Vert: 16-28=-10, 1-6=-100, 6-12=-200, 12-15=-100
- 14) 8th chase Dead + Floor Live (unbalanced): Lumber Increase=1.00, Plate Increase=1.00
Uniform Loads (plf)
Vert: 16-28=-10, 1-6=-100, 6-12=-200, 12-15=-100
- 15) 9th chase Dead + Floor Live (unbalanced): Lumber Increase=1.00, Plate Increase=1.00
Uniform Loads (plf)
Vert: 16-28=-10, 1-6=-100, 6-12=-200, 12-15=-100
- 16) 10th chase Dead + Floor Live (unbalanced): Lumber Increase=1.00, Plate Increase=1.00
Uniform Loads (plf)
Vert: 16-28=-10, 1-6=-100, 6-12=-200, 12-15=-100
- 17) 11th chase Dead + Floor Live (unbalanced): Lumber Increase=1.00, Plate Increase=1.00
Uniform Loads (plf)
Vert: 16-28=-10, 1-6=-100, 6-9=-200, 9-12=-120, 12-15=-100
- 18) 12th chase Dead + Floor Live (unbalanced): Lumber Increase=1.00, Plate Increase=1.00
Uniform Loads (plf)
Vert: 16-28=-10, 1-6=-100, 6-8=-120, 8-12=-200, 12-15=-100
- 19) 13th chase Dead + Floor Live (unbalanced): Lumber Increase=1.00, Plate Increase=1.00
Uniform Loads (plf)
Vert: 16-28=-10, 1-6=-100, 6-12=-200, 12-15=-100
- 20) 14th chase Dead + Floor Live (unbalanced): Lumber Increase=1.00, Plate Increase=1.00
Uniform Loads (plf)
Vert: 16-28=-10, 1-6=-100, 6-12=-200, 12-15=-100
- 21) 15th chase Dead + Floor Live (unbalanced): Lumber Increase=1.00, Plate Increase=1.00
Uniform Loads (plf)
Vert: 16-28=-10, 1-6=-100, 6-12=-200, 12-15=-100
- 22) 16th chase Dead + Floor Live (unbalanced): Lumber Increase=1.00, Plate Increase=1.00
Uniform Loads (plf)
Vert: 16-28=-10, 1-6=-100, 6-12=-200, 12-15=-100
- 23) 17th chase Dead + Floor Live (unbalanced): Lumber Increase=1.00, Plate Increase=1.00
Uniform Loads (plf)
Vert: 16-28=-10, 1-6=-100, 6-12=-200, 12-15=-100
- 24) 18th chase Dead + Floor Live (unbalanced): Lumber Increase=1.00, Plate Increase=1.00
Uniform Loads (plf)
Vert: 16-28=-10, 1-6=-100, 6-12=-200, 12-15=-100
- 25) 19th chase Dead: Lumber Increase=1.00, Plate Increase=1.00
Uniform Loads (plf)
Vert: 16-28=-10, 1-6=-100, 6-12=-200, 12-15=-100
- 26) 20th chase Dead: Lumber Increase=1.00, Plate Increase=1.00
Uniform Loads (plf)
Vert: 16-28=-10, 1-6=-100, 6-12=-200, 12-15=-100
- 27) 21st chase Dead: Lumber Increase=1.00, Plate Increase=1.00
Uniform Loads (plf)
Vert: 16-28=-10, 1-6=-100, 6-12=-200, 12-15=-100
- 28) 22nd chase Dead: Lumber Increase=1.00, Plate Increase=1.00
Uniform Loads (plf)
Vert: 16-28=-10, 1-6=-100, 6-12=-200, 12-15=-100
- 29) 23rd chase Dead: Lumber Increase=1.00, Plate Increase=1.00
Uniform Loads (plf)
Vert: 16-28=-10, 1-6=-100, 6-12=-200, 12-15=-100

Continued on page 3

WARNING - Verify design parameters and READ NOTES ON THIS AND INCLUDED MITEK REFERENCE PAGE MII-7473 rev. 1/2/2023 BEFORE USE.

Design valid for use only with MiTek® connectors. This design is based only upon parameters shown, and is for an individual building component, not a truss system. Before use, the building designer must verify the applicability of design parameters and properly incorporate this design into the overall building design. Bracing indicated is to prevent buckling of individual truss web and/or chord members only. Additional temporary and permanent bracing is always required for stability and to prevent collapse with possible personal injury and property damage. For general guidance regarding the fabrication, storage, delivery, erection and bracing of trusses and truss systems, see **ANSI/TP1 Quality Criteria and DSB-22** available from Truss Plate Institute (www.tpinst.org) and **BCSI Building Component Safety Information** available from the Structural Building Component Association (www.sbcacomponents.com)



818 Soundside Road
Edenton, NC 27932

Job	Truss	Truss Type	Qty	Ply	Lot 36 Liberty Meadows	I60141744
J0722-3743	FKW6	Floor	1	1	Job Reference (optional)	

Comtech, Inc. Fayetteville, NC - 28314,

8.430 s Jan 6 2022 MiTek Industries, Inc. Mon Aug 14 13:19:16 2023 Page 3
 ID:r?yi3DAbxRr?CsKd7DtDjMygInZ-RfC?PsB70Hq3NSgPqnL8w3ulTXbGKWrCDoi7J4zJC?f

LOAD CASE(S) Standard

- 30) 24th chase Dead: Lumber Increase=1.00, Plate Increase=1.00
Uniform Loads (plf)
Vert: 16-28=-10, 1-6=-100, 6-12=-200, 12-15=-100
- 31) 25th chase Dead: Lumber Increase=1.00, Plate Increase=1.00
Uniform Loads (plf)
Vert: 16-28=-10, 1-6=-100, 6-12=-200, 12-15=-100
- 32) 26th chase Dead: Lumber Increase=1.00, Plate Increase=1.00
Uniform Loads (plf)
Vert: 16-28=-10, 1-6=-100, 6-12=-200, 12-15=-100
- 33) 27th chase Dead: Lumber Increase=1.00, Plate Increase=1.00
Uniform Loads (plf)
Vert: 16-28=-10, 1-6=-100, 6-12=-200, 12-15=-100
- 34) 28th chase Dead: Lumber Increase=1.00, Plate Increase=1.00
Uniform Loads (plf)
Vert: 16-28=-10, 1-6=-100, 6-12=-200, 12-15=-100
- 35) 29th chase Dead: Lumber Increase=1.00, Plate Increase=1.00
Uniform Loads (plf)
Vert: 16-28=-10, 1-6=-100, 6-9=-200, 9-12=-120, 12-15=-100
- 36) 30th chase Dead: Lumber Increase=1.00, Plate Increase=1.00
Uniform Loads (plf)
Vert: 16-28=-10, 1-6=-100, 6-8=-120, 8-12=-200, 12-15=-100
- 37) 31st chase Dead: Lumber Increase=1.00, Plate Increase=1.00
Uniform Loads (plf)
Vert: 16-28=-10, 1-6=-100, 6-12=-200, 12-15=-100
- 38) 32nd chase Dead: Lumber Increase=1.00, Plate Increase=1.00
Uniform Loads (plf)
Vert: 16-28=-10, 1-6=-100, 6-12=-200, 12-15=-100
- 39) 33rd chase Dead: Lumber Increase=1.00, Plate Increase=1.00
Uniform Loads (plf)
Vert: 16-28=-10, 1-6=-100, 6-12=-200, 12-15=-100
- 40) 34th chase Dead: Lumber Increase=1.00, Plate Increase=1.00
Uniform Loads (plf)
Vert: 16-28=-10, 1-6=-100, 6-12=-200, 12-15=-100
- 41) 35th chase Dead: Lumber Increase=1.00, Plate Increase=1.00
Uniform Loads (plf)
Vert: 16-28=-10, 1-6=-100, 6-12=-200, 12-15=-100
- 42) 36th chase Dead: Lumber Increase=1.00, Plate Increase=1.00
Uniform Loads (plf)
Vert: 16-28=-10, 1-6=-100, 6-12=-200, 12-15=-100

WARNING - Verify design parameters and READ NOTES ON THIS AND INCLUDED MITEK REFERENCE PAGE MII-7473 rev. 1/2/2023 BEFORE USE.

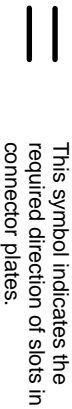
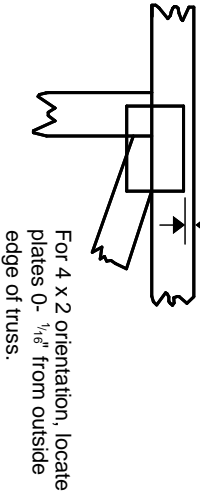
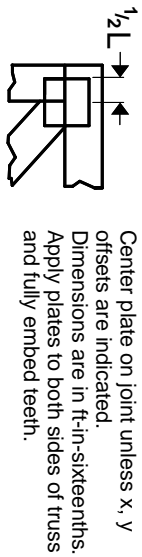
Design valid for use only with MiTek® connectors. This design is based only upon parameters shown, and is for an individual building component, not a truss system. Before use, the building designer must verify the applicability of design parameters and properly incorporate this design into the overall building design. Bracing indicated is to prevent buckling of individual truss web and/or chord members only. Additional temporary and permanent bracing is always required for stability and to prevent collapse with possible personal injury and property damage. For general guidance regarding the fabrication, storage, delivery, erection and bracing of trusses and truss systems, see **ANSI/TP1 Quality Criteria and DSB-22** available from Truss Plate Institute (www.tpinst.org) and **BCSI Building Component Safety Information** available from the Structural Building Component Association (www.sbcacomponents.com)



818 Soundside Road
Edenton, NC 27932

Symbols

PLATE LOCATION AND ORIENTATION



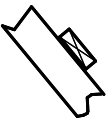
* Plate location details available in MITek software or upon request.

PLATE SIZE

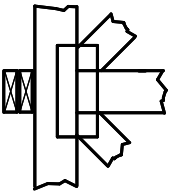
4 X 4

The first dimension is the plate width measured perpendicular to slots. Second dimension is the length parallel to slots.

LATERAL BRACING LOCATION



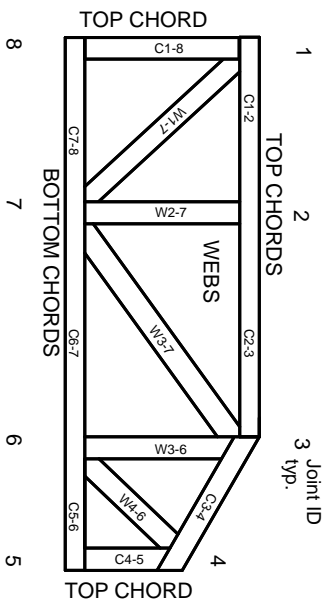
BEARING



Industry Standards:

ANSI/TP1: National Design Specification for Metal Plate Connected Wood Truss Construction.
DSB-22: Design Standard for Bracing.
BCSI: Building Component Safety Information, Guide to Good Practice for Handling, Installing, Restraining & Bracing of Metal Plate Connected Wood Trusses.

Numbering System



JOINTS ARE GENERALLY NUMBERED/LETTERED CLOCKWISE AROUND THE TRUSS STARTING AT THE JOINT FARTHEST TO THE LEFT.

CHORDS AND WEBS ARE IDENTIFIED BY END JOINT NUMBERS/LETTERS.

Product Code Approvals

ICC-ES Reports:

ESR-1988, ESR-2362, ESR-2685, ESR-3282
ESR-4722, ESL-1388

Design General Notes

Trusses are designed for wind loads in the plane of the truss unless otherwise shown.

Lumber design values are in accordance with ANSI/TP1 section 6.3. These truss designs rely on Lumber values established by others.

© 2023 MITek® All Rights Reserved

General Safety Notes

Failure to Follow Could Cause Property Damage or Personal Injury

1. Additional stability/bracing for truss system, e.g. diagonal or X-bracing, is always required. See BCSI.
2. Truss bracing must be designed by an engineer. For wide truss spacing, individual lateral braces themselves may require bracing, or alternative Tor I bracing should be considered.
3. Never exceed the design loading shown and never stack materials on inadequately braced trusses.
4. Provide copies of this truss design to the building designer, erection supervisor, property owner and all other interested parties.
5. Cut members to bear tightly against each other.
6. Place plates on each face of truss at each joint and embed fully. Knots and wane at joint locations are regulated by ANSI/TP1 1.
7. Design assumes trusses will be suitably protected from the environment in accord with ANSI/TP1 1.
8. Unless otherwise noted, moisture content of lumber shall not exceed 19% at time of fabrication.
9. Unless expressly noted, this design is not applicable for use with fire retardant, preservative treated, or green lumber.
10. Camber is a non-structural consideration and is the responsibility of truss fabricator. General practice is to camber for dead load deflection.
11. Plate type, size, orientation and location dimensions indicated are minimum plating requirements.
12. Lumber used shall be of the species and size, and in all respects, equal to or better than that specified.
13. Top chords must be sheathed or purlins provided at spacing indicated on design.
14. Bottom chords require lateral bracing at 10 ft. spacing, or less, if no ceiling is installed, unless otherwise noted.
15. Connections not shown are the responsibility of others.
16. Do not cut or alter truss member or plate without prior approval of an engineer.
17. Install and load vertically unless indicated otherwise.
18. Use of green or treated lumber may pose unacceptable environmental, health or performance risks. Consult with project engineer before use.
19. Review all portions of this design (front, back, words and pictures) before use. Reviewing pictures alone is not sufficient.
20. Design assumes manufacture in accordance with ANSI/TP1 1 Quality Criteria.
21. The design does not take into account any dynamic or other loads other than those expressly stated.

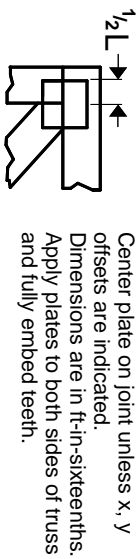
MITek

ENGINEERING BY
TRENGO
A MITek Affiliate

MITek Engineering Reference Sheet: MIL-7473 rev. 1/2/2023

Symbols

PLATE LOCATION AND ORIENTATION



Center plate on joint unless x, y offsets are indicated. Dimensions are in ft-in-sixteenths. Apply plates to both sides of truss and fully embed teeth.



For 4 x 2 orientation, locate plates 0- 1/16" from outside edge of truss.



This symbol indicates the required direction of slots in connector plates.

* Plate location details available in MITek software or upon request.

PLATE SIZE

4 X 4

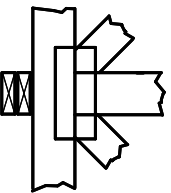
The first dimension is the plate width measured perpendicular to slots. Second dimension is the length parallel to slots.

LATERAL BRACING LOCATION



Indicated by symbol shown and/or by text in the bracing section of the output. Use T or I bracing if indicated.

BEARING



Indicates location where bearings (supports) occur. Icons vary but reaction section indicates joint number/letter where bearings occur. Min size shown is for crushing only.

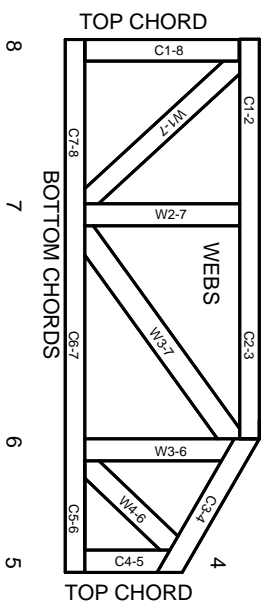
Industry Standards:

ANSI/TP1: National Design Specification for Metal Plate Connected Wood Truss Construction.
DSB-22: Design Standard for Bracing.
BCSI: Building Component Safety Information, Guide to Good Practice for Handling, Installing, Restraining & Bracing of Metal Plate Connected Wood Trusses.

Numbering System



1 TOP CHORDS
2 JOINT ID TYP.



JOINTS ARE GENERALLY NUMBERED/LETTERED CLOCKWISE AROUND THE TRUSS STARTING AT THE JOINT FARTHEST TO THE LEFT.

CHORDS AND WEBS ARE IDENTIFIED BY END JOINT NUMBERS/LETTERS.

Product Code Approvals

ICC-ES Reports:

ESR-1988, ESR-2362, ESR-2685, ESR-3282
ESR-4722, ESL-1388

Design General Notes

Trusses are designed for wind loads in the plane of the truss unless otherwise shown.

Lumber design values are in accordance with ANSI/TP1 section 6.3. These truss designs rely on Lumber values established by others.

© 2023 MITek® All Rights Reserved

MITek

ENGINEERING BY
TRENGO
A MITek Affiliate

MITek Engineering Reference Sheet: MIL-7473 rev. 1/2/2023

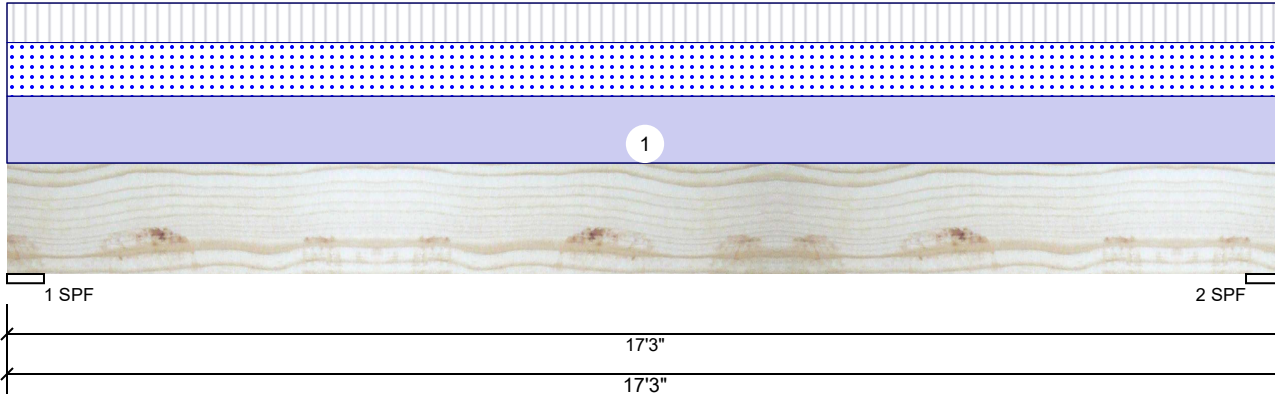
General Safety Notes

Failure to Follow Could Cause Property Damage or Personal Injury

1. Additional stability/bracing for truss system, e.g. diagonal or X-bracing, is always required. See BCSI.
2. Truss bracing must be designed by an engineer. For wide truss spacing, individual lateral braces themselves may require bracing, or alternative Tor I bracing should be considered.
3. Never exceed the design loading shown and never stack materials on inadequately braced trusses.
4. Provide copies of this truss design to the building designer, erection supervisor, property owner and all other interested parties.
5. Cut members to bear tightly against each other.
6. Place plates on each face of truss at each joint and embed fully. Knots and wane at joint locations are regulated by ANSI/TP1 1.
7. Design assumes trusses will be suitably protected from the environment in accord with ANSI/TP1 1.
8. Unless otherwise noted, moisture content of lumber shall not exceed 19% at time of fabrication.
9. Unless expressly noted, this design is not applicable for use with fire retardant, preservative treated, or green lumber.
10. Camber is a non-structural consideration and is the responsibility of truss fabricator. General practice is to camber for dead load deflection.
11. Plate type, size, orientation and location dimensions indicated are minimum plating requirements.
12. Lumber used shall be of the species and size, and in all respects, equal to or better than that specified.
13. Top chords must be sheathed or purlins provided at spacing indicated on design.
14. Bottom chords require lateral bracing at 10 ft. spacing, or less, if no ceiling is installed, unless otherwise noted.
15. Connections not shown are the responsibility of others.
16. Do not cut or alter truss member or plate without prior approval of an engineer.
17. Install and load vertically unless indicated otherwise.
18. Use of green or treated lumber may pose unacceptable environmental, health or performance risks. Consult with project engineer before use.
19. Review all portions of this design (front, back, words and pictures) before use. Reviewing pictures alone is not sufficient.
20. Design assumes manufacture in accordance with ANSI/TP1 1 Quality Criteria.
21. The design does not take into account any dynamic or other loads other than those expressly stated.

GDH Kerto-S LVL 1.750" X 18.000" 2-Ply - PASSED

Level: Level



Member Information

Type:	Girder
Plies:	2
Moisture Condition:	Dry
Deflection LL:	480
Deflection TL:	240
Importance:	Normal - II
Temperature:	Temp <= 100°F

Application:	Floor
Design Method:	ASD
Building Code:	IBC/IRC 2015
Load Sharing:	No
Deck:	Not Checked

Reactions UNPATTERNED lb (Uplift)

Brg	Direction	Live	Dead	Snow	Wind	Const
1	Vertical	1708	3010	2320	0	0
2	Vertical	1708	3010	2320	0	0

Bearings

Bearing	Length	Dir.	Cap.	React D/L lb	Total	Ld. Case	Ld. Comb.
1 - SPF	6.000"	Vert	68%	3010 / 3021	6031	L	D+0.75(L+S)
2 - SPF	6.000"	Vert	68%	3010 / 3021	6031	L	D+0.75(L+S)

Analysis Results

Analysis	Actual	Location	Allowed	Capacity	Comb.	Case
Moment	23497 ft-lb	8'7 1/2"	49428 ft-lb	0.475 (48%)	D+0.75(L+S)	L
Unbraced	23497 ft-lb	8'7 1/2"	23555 ft-lb	0.998 (100%)	D+0.75(L+S)	L
Shear	4654 lb	2'	15456 lb	0.301 (30%)	D+0.75(L+S)	L
LL Defl inch	0.189 (L/1041)	8'7 9/16"	0.410 (L/480)	0.461 (46%)	0.75(L+S)	L
TL Defl inch	0.377 (L/522)	8'7 9/16"	0.820 (L/240)	0.460 (46%)	D+0.75(L+S)	L

Design Notes

- 1 Provide support to prevent lateral movement and rotation at the end bearings. Lateral support may also be required at the interior bearings by the building code.
- 2 Girders are designed to be supported on the bottom edge only.
- 3 Multiple plies must be fastened together as per manufacturer's details.
- 4 Top loads must be supported equally by all plies.
- 5 Top must be laterally braced at a maximum of 5'7 1/4" o.c.
- 6 Bottom must be laterally braced at end bearings.
- 7 Lateral slenderness ratio based on single ply width.

ID	Load Type	Location	Trib Width	Side	Dead 0.9	Live 1	Snow 1.15	Wind 1.6	Const. 1.25	Comments
1	Uniform			Top	335 PLF	198 PLF	269 PLF	0 PLF	0 PLF	C1 Roof
	Self Weight				14 PLF					

Notes

Calculated Structured Designs is responsible only of the structural adequacy of this component based on the design criteria and loadings shown. It is the responsibility of the customer and/or the contractor to ensure the component suitability of the intended application, and to verify the dimensions and loads.

Lumber

1. Dry service conditions, unless noted otherwise
2. LVL not to be treated with fire retardant or corrosive

chemicals

Handling & Installation

1. LVL beams must not be cut or drilled
2. Refer to manufacturer's product information regarding installation requirements, multi-ply fastening details, beam strength values, and code approvals
3. Damaged Beams must not be used
4. Design assumes top edge is laterally restrained
5. Provide lateral support at bearing points to avoid lateral displacement and rotation

6. For flat roofs provide proper drainage to prevent ponding

This design is valid until 11/3/2024

Manufacturer Info

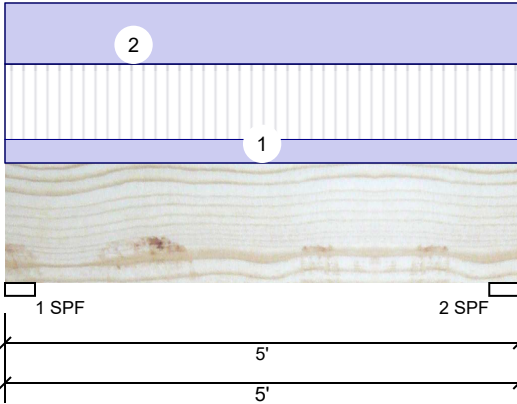
Metsä Wood
 301 Merritt 7 Building, 2nd Floor
 Norwalk, CT 06851
 (800) 622-5850
www.metsawood.com/us

Comtech, Inc.
 1001 S. Reilly Road, Suite #639
 Fayetteville, NC
 USA
 28314
 910-864-TRUS



BM4 Kerto-S LVL 1.750" X 14.000" 2-Ply - PASSED

Level: Level



Member Information

Type:	Girder	Application:	Floor
Plies:	2	Design Method:	ASD
Moisture Condition:	Dry	Building Code:	IBC/IRC 2015
Deflection LL:	480	Load Sharing:	No
Deflection TL:	240	Deck:	Not Checked
Importance:	Normal - II		
Temperature:	Temp <= 100°F		

Reactions UNPATTERNED lb (Uplift)

Brg	Direction	Live	Dead	Snow	Wind	Const
1	Vertical	650	755	0	0	0
2	Vertical	650	755	0	0	0

Bearings

Bearing	Length	Dir.	Cap.	React D/L lb	Total	Ld. Case	Ld. Comb.
1 - SPF	3.500"	Vert	27%	755 / 650	1405	L	D+L
2 - SPF	3.500"	Vert	27%	755 / 650	1405	L	D+L

Analysis Results

Analysis	Actual	Location	Allowed	Capacity	Comb.	Case
Moment	1449 ft-lb	2'6"	26999 ft-lb	0.054 (5%)	D+L	L
Unbraced	1449 ft-lb	2'6"	20546 ft-lb	0.071 (7%)	D+L	L
Shear	996 lb	3'6 1/2"	10453 lb	0.095 (10%)	D+L	L
LL Defl inch (L/17407)	0.003	2'6"	0.114 (L/480)	0.028 (3%)	L	L
TL Defl inch (L/8054)	0.007	2'6"	0.227 (L/240)	0.030 (3%)	D+L	L

Design Notes

- 1 Provide support to prevent lateral movement and rotation at the end bearings. Lateral support may also be required at the interior bearings by the building code.
- 2 Girders are designed to be supported on the bottom edge only.
- 3 Multiple plies must be fastened together as per manufacturer's details.
- 4 Top loads must be supported equally by all plies.
- 5 Top must be laterally braced at end bearings.
- 6 Bottom must be laterally braced at end bearings.
- 7 Lateral slenderness ratio based on single ply width.

ID	Load Type	Location	Trib Width	Side	Dead 0.9	Live 1	Snow 1.15	Wind 1.6	Const. 1.25	Comments
1	Uniform			Far Face	81 PLF	260 PLF	0 PLF	0 PLF	0 PLF	F02
2	Uniform			Top	210 PLF	0 PLF	0 PLF	0 PLF	0 PLF	wall
	Self Weight				11 PLF					

Notes

Calculated Structured Designs is responsible only of the structural adequacy of this component based on the design criteria and loadings shown. It is the responsibility of the customer and/or the contractor to ensure the component suitability of the intended application, and to verify the dimensions and loads.

Lumber

1. Dry service conditions, unless noted otherwise
2. LVL not to be treated with fire retardant or corrosive

chemicals

Handling & Installation

1. LVL beams must not be cut or drilled
2. Refer to manufacturer's product information regarding installation requirements, multi-ply fastening details, beam strength values, and code approvals
3. Damaged Beams must not be used
4. Design assumes top edge is laterally restrained
5. Provide lateral support at bearing points to avoid lateral displacement and rotation

6. For flat roofs provide proper drainage to prevent ponding

This design is valid until 11/3/2024

Manufacturer Info

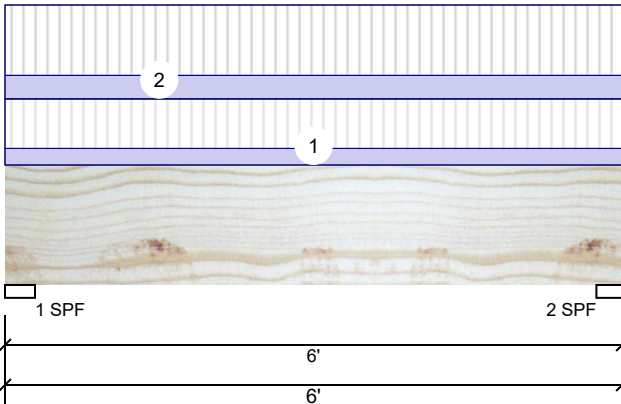
Metsä Wood
 301 Merritt 7 Building, 2nd Floor
 Norwalk, CT 06851
 (800) 622-5850
www.metsawood.com/us

Comtech, Inc.
 1001 S. Reilly Road, Suite #639
 Fayetteville, NC
 USA
 28314
 910-864-TRUS



BM3 Kerto-S LVL 1.750" X 14.000" 2-Ply - PASSED

Level: Level



Member Information

Type:	Girder	Application:	Floor
Plies:	2	Design Method:	ASD
Moisture Condition:	Dry	Building Code:	IBC/IRC 2015
Deflection LL:	480	Load Sharing:	No
Deflection TL:	240	Deck:	Not Checked
Importance:	Normal - II		
Temperature:	Temp <= 100°F		

Reactions UNPATTERNED lb (Uplift)

Brg	Direction	Live	Dead	Snow	Wind	Const
1	Vertical	1900	667	0	0	0
2	Vertical	1874	658	0	0	0

Bearings

Bearing	Length	Dir.	Cap.	React D/L lb	Total	Ld. Case	Ld. Comb.
1 - SPF	3.500"	Vert	49%	667 / 1900	2567	L	D+L
2 - SPF	3.000"	Vert	57%	658 / 1874	2532	L	D+L

Analysis Results

Analysis	Actual	Location	Allowed	Capacity	Comb.	Case
Moment	3312 ft-lb	3' 1/4"	26999 ft-lb	0.123 (12%)	D+L	L
Unbraced	3312 ft-lb	3' 1/4"	17594 ft-lb	0.188 (19%)	D+L	L
Shear	1745 lb	1'5 1/2"	10453 lb	0.167 (17%)	D+L	L
LL Defl inch	0.014 (L/4667)	3' 1/4"	0.140 (L/480)	0.103 (10%)	L	L
TL Defl inch	0.019 (L/3454)	3' 1/4"	0.279 (L/240)	0.069 (7%)	D+L	L

Design Notes

- 1 Provide support to prevent lateral movement and rotation at the end bearings. Lateral support may also be required at the interior bearings by the building code.
- 2 Girders are designed to be supported on the bottom edge only.
- 3 Multiple plies must be fastened together as per manufacturer's details.
- 4 Top loads must be supported equally by all plies.
- 5 Top must be laterally braced at end bearings.
- 6 Bottom must be laterally braced at end bearings.
- 7 Lateral slenderness ratio based on single ply width.

ID	Load Type	Location	Trib Width	Side	Dead 0.9	Live 1	Snow 1.15	Wind 1.6	Const. 1.25	Comments
1	Uniform			Near Face	87 PLF	260 PLF	0 PLF	0 PLF	0 PLF	F02
2	Uniform			Top	123 PLF	369 PLF	0 PLF	0 PLF	0 PLF	F06
	Self Weight				11 PLF					

Notes

Calculated Structured Designs is responsible only of the structural adequacy of this component based on the design criteria and loadings shown. It is the responsibility of the customer and/or the contractor to ensure the component suitability of the intended application, and to verify the dimensions and loads.

Lumber

1. Dry service conditions, unless noted otherwise
2. LVL not to be treated with fire retardant or corrosive

chemicals

Handling & Installation

1. LVL beams must not be cut or drilled
2. Refer to manufacturer's product information regarding installation requirements, multi-ply fastening details, beam strength values, and code approvals
3. Damaged Beams must not be used
4. Design assumes top edge is laterally restrained
5. Provide lateral support at bearing points to avoid lateral displacement and rotation

6. For flat roofs provide proper drainage to prevent ponding

This design is valid until 11/3/2024

Manufacturer Info

Metsä Wood
 301 Merritt 7 Building, 2nd Floor
 Norwalk, CT 06851
 (800) 622-5850
www.metsawood.com/us

Comtech, Inc.
 1001 S. Reilly Road, Suite #639
 Fayetteville, NC
 USA
 28314
 910-864-TRUS

