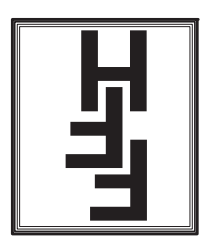


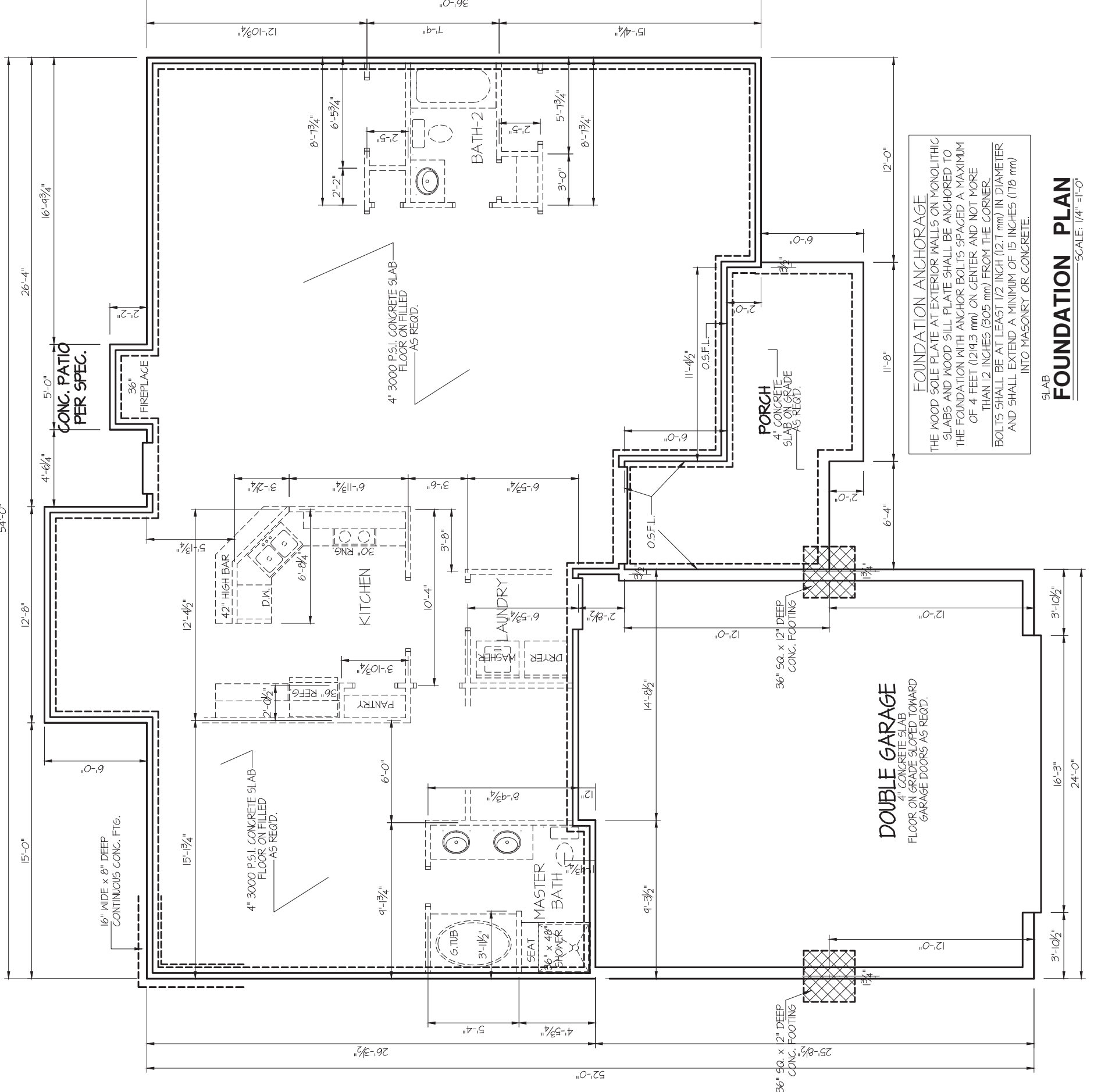
DATE:
JULY 9, 2021

FREEDOM FAMILY HOMES
P.O. BOX 608
DUNN, N.C. - 28335
O: (910) 892-1231 FAX: (910) 892-5680
© 2020, FREEDOM FAMILY HOMES



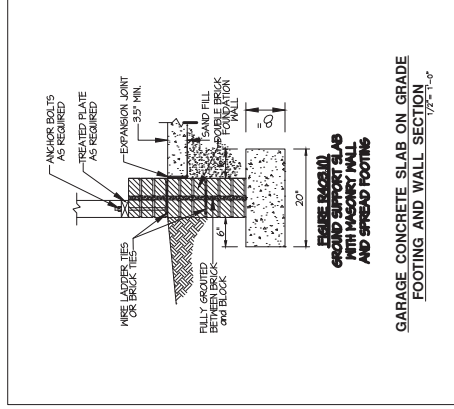
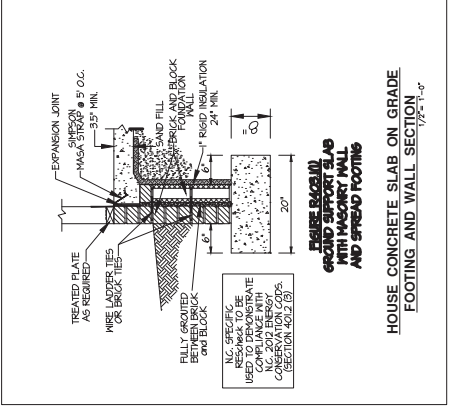
EXCLUSIVE PLAN FOR
FREEDOM FAMILY HOMES
WILSON~LEFT
PLAN:

SHEET NO.
3S



FOUNDATION ANCHORAGE
THE WOOD SOLE PLATE AT EXTERIOR WALLS ON MONOLITHIC SLABS AND WOOD SILL PLATE SHALL BE ANCHORED TO THE FOUNDATION WITH ANCHOR BOLTS SPACED A MAXIMUM OF 4 FEET (1219.3 mm) ON CENTER AND NOT MORE THAN 12 INCHES (305 mm) FROM THE CORNER. BOLTS SHALL BE AT LEAST 1/2 INCH (12.7 mm) IN DIAMETER AND SHALL EXTEND A MINIMUM OF 15 INCHES (178 mm) INTO MASONRY OR CONCRETE.

FOUNDATION PLAN
SLAB SCALE: 1/4" = 1'-0"



N.C. SPECIFIC COMCHECK or ASHRAE 90.1 CHECKS SHALL BE PERMITTED TO DEMONSTRATE COMPLIANCE WITH THE N.C. 2018 ENERGY CONSERVATION CODES. (SECTION C401.2 (3))