

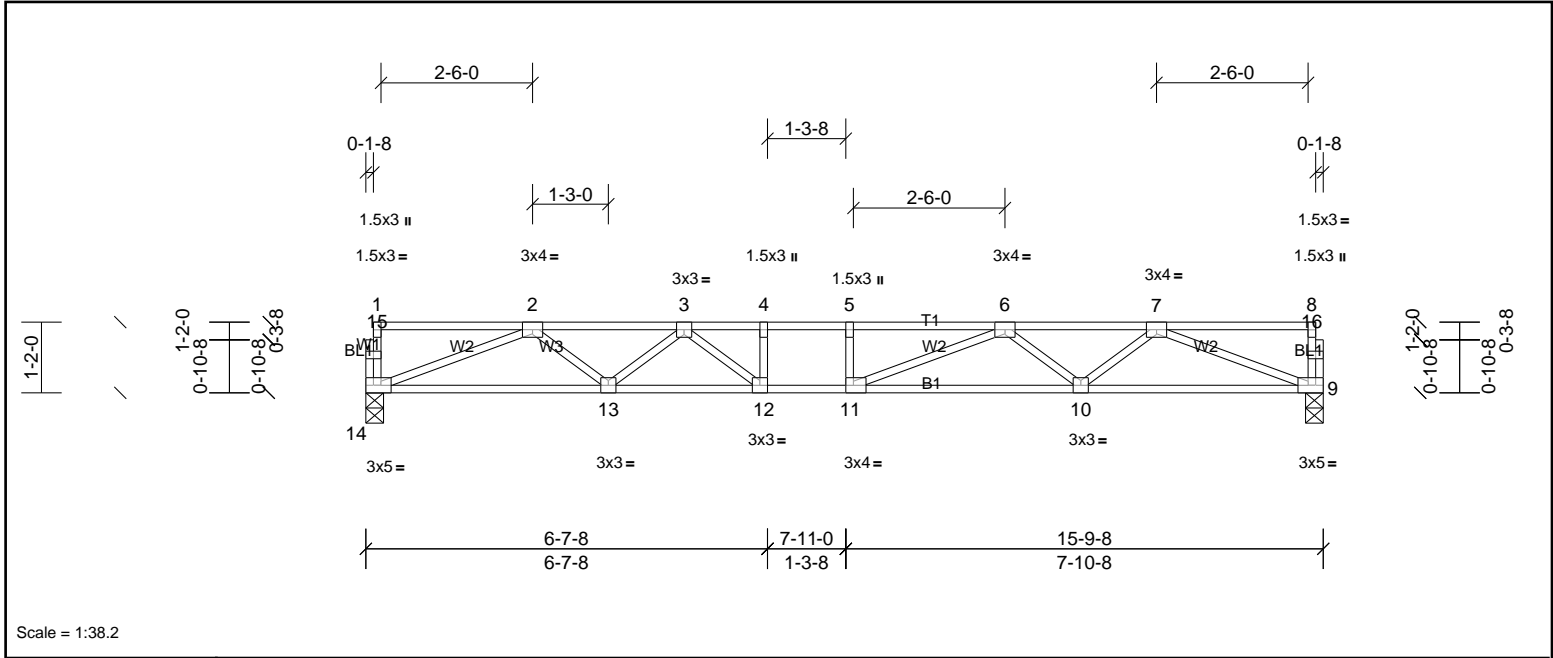
Job 72315765	Truss 2F1	Truss Type Truss	Qty 8	Ply 1	PRO BLDRS SUPPLY PLAN # 2 HOLLY RF Job Reference (optional)
-----------------	--------------	---------------------	----------	----------	--

UFP Mid Atlantic LLC, 5631 S. NC 62, Burlington, NC, Micah Clayton

Run: 8.62 S Sep 22 2022 Print: 8.620 S Sep 22 2022 MiTek Industries, Inc. Thu Apr 27 08:17:38

Page: 1

ID:AL4qzymCoo2hkTFs7?rHcTyMrby-4dDqhx0ckBDVxOkHpTfIAcYgrOkx3qPPtB0otczMb0S



Scale = 1:38.2

Plate Offsets (X, Y):		[9:0-2-0,Edge], [11:0-1-8,Edge], [14:0-2-0,Edge]										
Loading	(psf)	Spacing	1-7-3	CSI		DEFL	in	(loc)	l/defl	L/d	PLATES	GRIP
TCLL	40.0	Plate Grip DOL	1.00	TC	0.53	Vert(LL)	-0.19	10-11	>958	480	MT20	244/190
TCDL	10.0	Lumber DOL	1.00	BC	0.78	Vert(CT)	-0.27	10-11	>685	360		
BCLL	0.0	Rep Stress Incr	YES	WB	0.43	Horz(CT)	0.05	9	n/a	n/a		
BCDL	5.0	Code	IRC2015/TPI2014	Matrix-SH							Weight: 78 lb	FT = 20%F, 11%E

LUMBER		BRACING	
TOP CHORD	2x4 SP No.2(flat)	TOP CHORD	Structural wood sheathing directly applied or 6-0-0 oc purlins, except end verticals.
BOT CHORD	2x4 SP No.2(flat)	BOT CHORD	Rigid ceiling directly applied or 10-0-0 oc bracing.
WEBS	2x4 SP No.3(flat)		
OTHERS	2x4 SP No.3(flat)		

REACTIONS	(lb/size)	9=678/0-3-8, (min. 0-1-8), 14=678/0-3-8, (min. 0-1-8)
FORCES	(lb) - Max. Comp./Max. Ten. - All forces 250 (lb) or less except when shown.	
TOP CHORD		2-3=-1880/0, 3-4=-2526/0, 4-5=-2526/0, 5-6=-2526/0, 6-7=-1902/0
BOT CHORD		13-14=0/1467, 12-13=0/2271, 11-12=0/2526, 10-11=0/2285, 9-10=0/1468
WEBS		7-9=-1574/0, 2-14=-1573/0, 7-10=0/565, 2-13=0/537, 6-10=-499/0, 3-13=-509/0, 6-11=-24/474, 3-12=0/500

- NOTES**
- 1) Unbalanced floor live loads have been considered for this design.
 - 2) This truss is designed in accordance with the 2015 International Residential Code sections R502.11.1 and R802.10.2 and referenced standard ANSI/TPI 1.
 - 3) Recommend 2x6 strongbacks, on edge, spaced at 10-00-00 oc and fastened to each truss with 3-10d (0.131" X 3") nails. Strongbacks to be attached to walls at their outer ends or restrained by other means.



Job 72315765	Truss 2F2	Truss Type Truss	Qty 7	Ply 1	PRO BLDRS SUPPLY PLAN # 2 HOLLY RF Job Reference (optional)
-----------------	--------------	---------------------	----------	----------	--

UFP Mid Atlantic LLC, 5631 S. NC 62, Burlington, NC, Micah Clayton

Run: 8.62 S Sep 22 2022 Print: 8.620 S Sep 22 2022 MiTek Industries, Inc. Thu Apr 27 08:17:39

Page: 1

ID: ?VS5D?rzNepS0i0UGyhskyMrbs-0?Kb6c2tFpUDAitgwuhDF1eyUBSYXjCkVvUzUzMB0Q

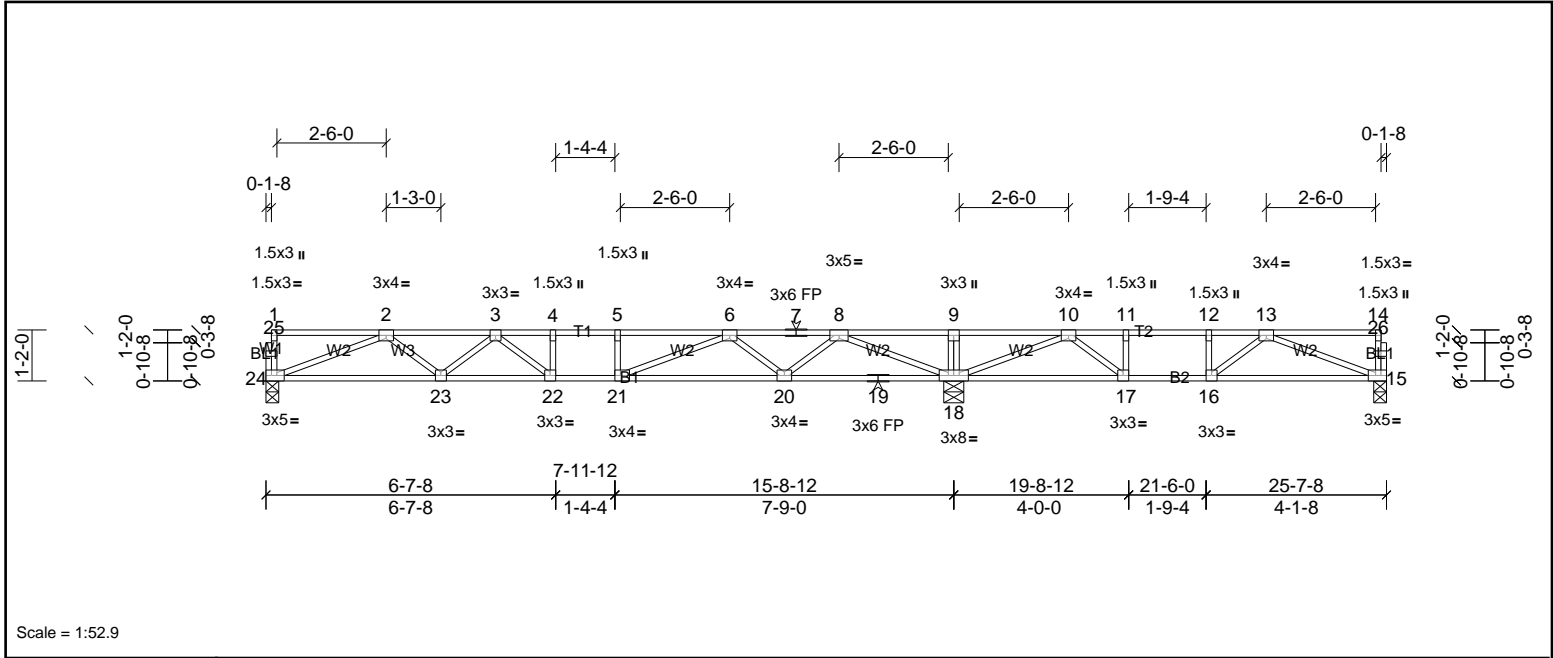


Plate Offsets (X, Y): [15:0-2-0,Edge], [21:0-1-8,Edge], [24:0-2-0,Edge]

Loading	(psf)	Spacing	1-7-3	CSI	DEFLL	in	(loc)	l/defl	L/d	PLATES	GRIP	
TCLL	40.0	Plate Grip DOL	1.00	TC	0.77	Vert(LL)	-0.14	21	>999	480	MT20	244/190
TCDL	10.0	Lumber DOL	1.00	BC	0.65	Vert(CT)	-0.19	20-21	>981	360		
BCLL	0.0	Rep Stress Incr	YES	WB	0.47	Horz(CT)	0.04	15	n/a	n/a		
BCDL	5.0	Code	IRC2015/TPI2014	Matrix-SH							Weight: 125 lb	FT = 20%F, 11%E

LUMBER		BRACING	
TOP CHORD	2x4 SP No.2(flat)	TOP CHORD	Structural wood sheathing directly applied or 6-0-0 oc purlins, except end verticals.
BOT CHORD	2x4 SP No.2(flat)	BOT CHORD	Rigid ceiling directly applied or 6-0-0 oc bracing.
WEBS	2x4 SP No.3(flat)		
OTHERS	2x4 SP No.3(flat)		

REACTIONS (lb/size) 15=290/0-3-8, (min. 0-1-8), 18=1335/0-5-8, (min. 0-1-8), 24=597/0-3-8, (min. 0-1-8)
 Max Grav 15=370 (LC 4), 18=1335 (LC 1), 24=610 (LC 10)

FORCES (lb) - Max. Comp./Max. Ten. - All forces 250 (lb) or less except when shown.
 TOP CHORD 2-3=-1633/0, 3-4=-2049/0, 4-5=-2049/0, 5-6=-2049/0, 6-7=-1101/0, 7-8=-1101/0, 8-9=0/1261, 9-10=0/1261, 10-11=-729/268, 11-12=-729/268, 12-13=-729/268
 BOT CHORD 23-24=0/1297, 22-23=0/1932, 21-22=0/2049, 20-21=0/1583, 19-20=-41/579, 18-19=-41/579, 17-18=-583/442, 16-17=-268/729, 15-16=-84/681
 WEBS 8-18=-1735/0, 2-24=-1390/0, 8-20=0/707, 2-23=0/437, 6-20=-661/0, 3-23=-390/0, 6-21=0/649, 3-22=-116/316, 10-18=-1166/0, 13-15=-727/91, 10-17=0/647, 11-17=-317/0

- NOTES**
- 1) Unbalanced floor live loads have been considered for this design.
 - 2) All plates are 1.5x3 MT20 unless otherwise indicated.
 - 3) This truss is designed in accordance with the 2015 International Residential Code sections R502.11.1 and R802.10.2 and referenced standard ANSI/TPI 1.
 - 4) Recommend 2x6 strongbacks, on edge, spaced at 10-00-00 oc and fastened to each truss with 3-10d (0.131" X 3") nails. Strongbacks to be attached to walls at their outer ends or restrained by other means.
 - 5) CAUTION, Do not erect truss backwards.



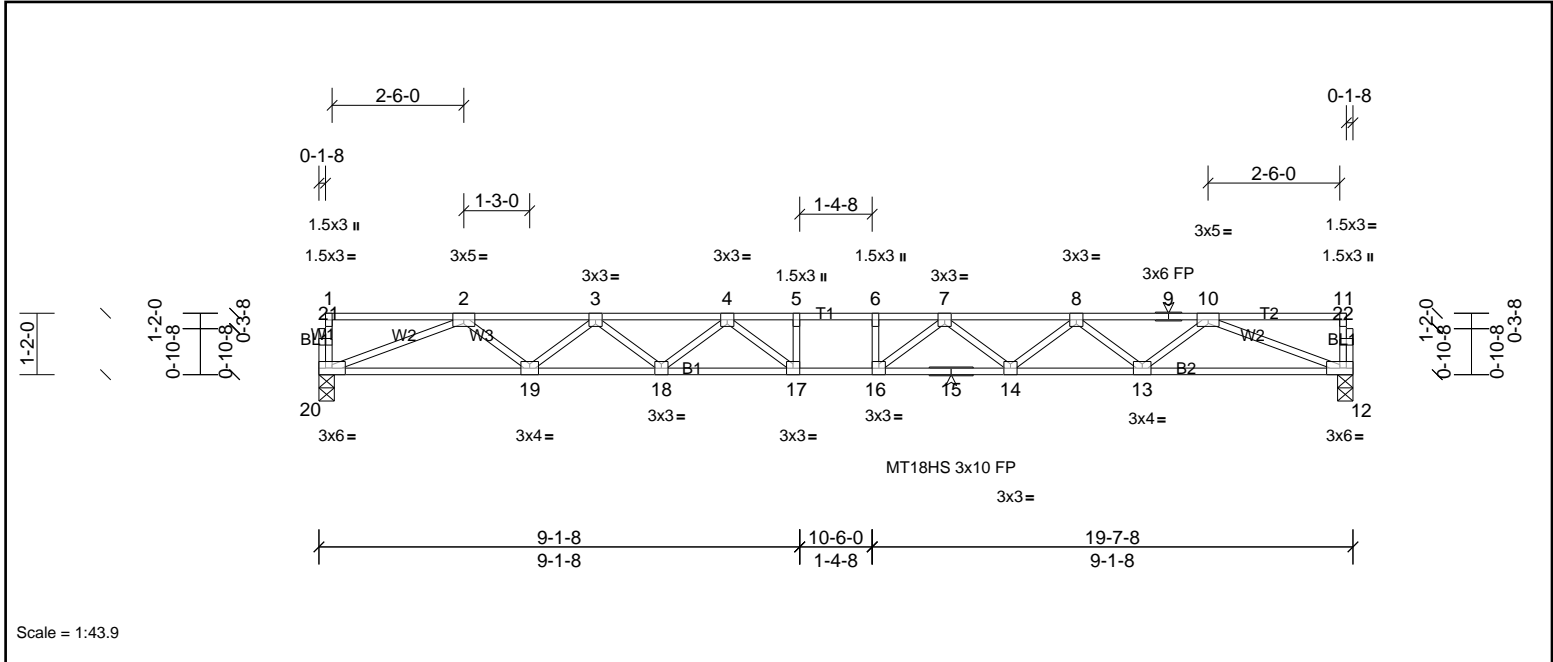
Job 72315765	Truss 2F3	Truss Type Truss	Qty 4	Ply 1	PRO BLDRS SUPPLY PLAN # 2 HOLLY RF Job Reference (optional)
-----------------	--------------	---------------------	----------	----------	--

UFP Mid Atlantic LLC, 5631 S. NC 62, Burlington, NC, Micah Clayton

Run: 8.62 S Sep 22 2022 Print: 8.620 S Sep 22 2022 MiTek Industries, Inc. Thu Apr 27 08:17:40

Page: 1

ID:AdcFXmzsn1CHH427d4fGo3yMrbh-VBuzJy2V06c4osSsUbCSoEAB8bnQG9DsZ9ESTxzMb0P



Loading	(psf)	Spacing	1-7-3	CSI	DEFL	in	(loc)	l/defl	L/d	PLATES	GRIP	
TCLL	40.0	Plate Grip DOL	1.00	TC	0.52	Vert(LL)	-0.36	16-17	>640	480	MT18HS	244/190
TCDL	10.0	Lumber DOL	1.00	BC	0.73	Vert(CT)	-0.50	16-17	>466	360	MT20	244/190
BCLL	0.0	Rep Stress Incr	YES	WB	0.55	Horz(CT)	0.08	12	n/a	n/a		
BCDL	5.0	Code	IRC2015/TPI2014	Matrix-SH							Weight: 97 lb	FT = 20%F, 11%E

LUMBER	BRACING
TOP CHORD 2x4 SP No.2(flat)	TOP CHORD Structural wood sheathing directly applied or 5-11-3 oc purlins, except end verticals.
BOT CHORD 2x4 SP No.1(flat)	BOT CHORD Rigid ceiling directly applied or 10-0-0 oc bracing.
WEBS 2x4 SP No.3(flat)	
OTHERS 2x4 SP No.3(flat)	

REACTIONS	(lb/size)	12=847/0-3-8, (min. 0-1-8), 20=847/0-3-8, (min. 0-1-8)
FORCES	(lb) - Max. Comp./Max. Ten. - All forces 250 (lb) or less except when shown.	
TOP CHORD	2-3=-2514/0, 3-4=-3459/0, 4-5=-3930/0, 5-6=-3930/0, 6-7=-3930/0, 7-8=-3459/0, 8-9=-2514/0, 9-10=-2514/0	
BOT CHORD	19-20=0/1887, 18-19=0/3107, 17-18=0/3790, 16-17=0/3930, 15-16=0/3790, 14-15=0/3790, 13-14=0/3107, 12-13=0/1887	
WEBS	10-12=-2025/0, 2-20=-2025/0, 10-13=0/816, 2-19=0/816, 8-13=-772/0, 3-19=-772/0, 8-14=0/459, 3-18=0/459, 7-14=-431/0, 4-18=-431/0, 7-16=-147/469, 4-17=-147/469	

- NOTES**
- 1) Unbalanced floor live loads have been considered for this design.
 - 2) All plates are MT20 plates unless otherwise indicated.
 - 3) All plates are 3x3 MT20 unless otherwise indicated.
 - 4) This truss is designed in accordance with the 2015 International Residential Code sections R502.11.1 and R802.10.2 and referenced standard ANSI/TPI 1.
 - 5) Recommend 2x6 strongbacks, on edge, spaced at 10-00-00 oc and fastened to each truss with 3-10d (0.131" X 3") nails. Strongbacks to be attached to walls at their outer ends or restrained by other means.



This design is based upon parameters shown, and is for an individual building component to be installed and loaded vertically. Applicability of design parameters and proper incorporation of component is responsibility of the Building Designer. Building Designer shall verify all design information on this sheet for conformance with conditions and requirements of the specific building and governing codes and ordinances. Building Designer accepts responsibility for the correctness or accuracy of the design information as it may relate to a specific building. Certification is valid only when truss is fabricated by a UFPI plant. Bracing shown is for lateral support of truss members only and does not replace erection and permanent bracing. Refer to Building Component Safety Information (BCSI) for general guidance regarding storage, erection and bracing available from SBCA and Truss Plate Institute.



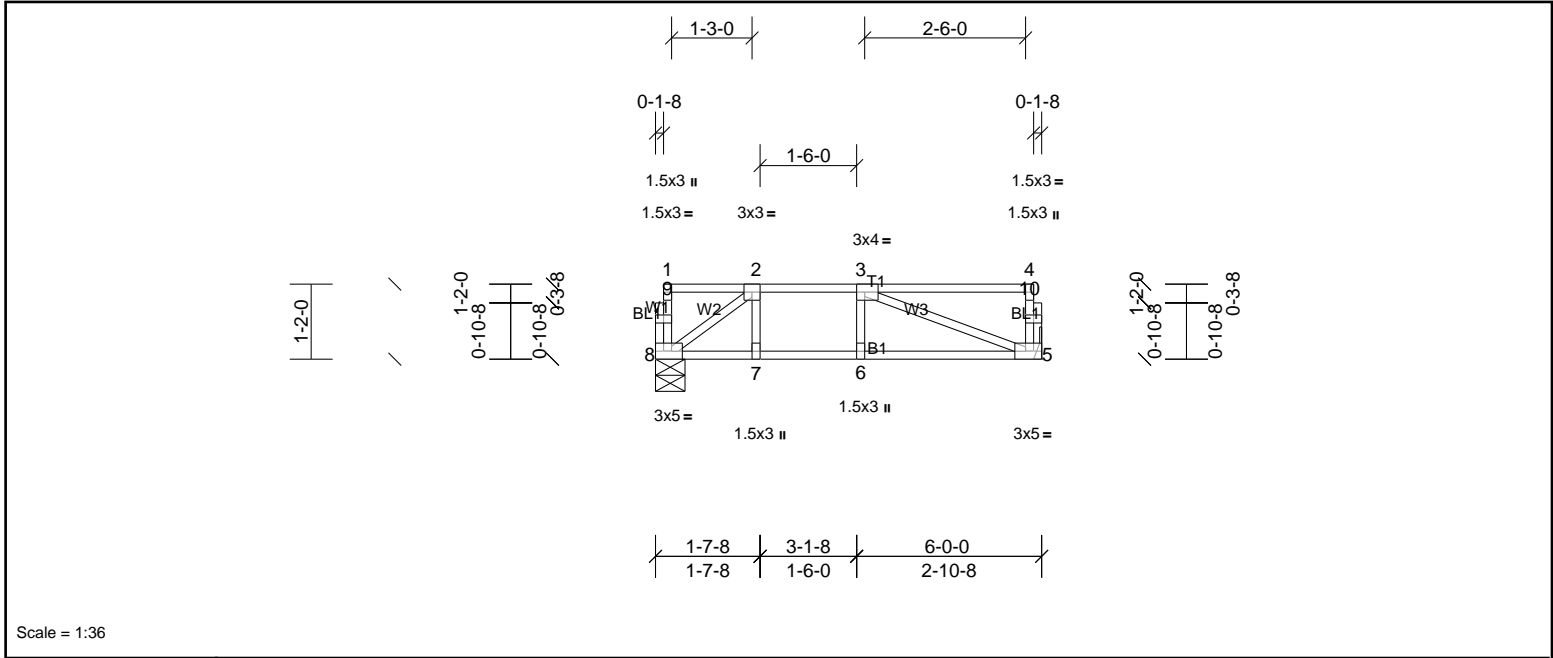
Job 72315765	Truss 2F4	Truss Type Truss	Qty 2	Ply 1	PRO BLDRS SUPPLY PLAN # 2 HOLLY RF Job Reference (optional)
-----------------	--------------	---------------------	----------	----------	--

UFP Mid Atlantic LLC, 5631 S. NC 62, Burlington, NC, Micah Clayton

Run: 8.62 S Sep 22 2022 Print: 8.620 S Sep 22 2022 MiTek Industries, Inc. Thu Apr 27 08:17:40

Page: 1

ID:MknPrX6mCPaj5mOEmtLsiNymrbW-VBuzJy2V06c4osSsUbcSoEAD2btFGGJsZ9ESTxzMb0P



Scale = 1:36

Plate Offsets (X, Y): [3:0-1-8,Edge], [5:0-2-0,Edge], [8:0-2-0,Edge]

Loading	(psf)	Spacing	1-7-3	CSI	DEFL	in	(loc)	l/defl	L/d	PLATES	GRIP	
TCLL	40.0	Plate Grip DOL	1.00	TC	0.40	Vert(LL)	-0.04	5-6	>999	480	MT20	244/190
TCDL	10.0	Lumber DOL	1.00	BC	0.36	Vert(CT)	-0.05	5-6	>999	360		
BCLL	0.0	Rep Stress Incr	YES	WB	0.10	Horz(CT)	0.00	5	n/a	n/a		
BCDL	5.0	Code	IRC2015/TPI2014	Matrix-SH							Weight: 31 lb	FT = 20%F, 11%E

LUMBER	BRACING
TOP CHORD 2x4 SP No.2(flat)	TOP CHORD Structural wood sheathing directly applied or 6-0-0 oc purlins, except end verticals.
BOT CHORD 2x4 SP No.2(flat)	BOT CHORD Rigid ceiling directly applied or 10-0-0 oc bracing.
WEBS 2x4 SP No.3(flat)	
OTHERS 2x4 SP No.3(flat)	

REACTIONS (lb/size) 5=248/ Mechanical, (min. 0-1-8), 8=248/0-5-8, (min. 0-1-8)

FORCES (lb) - Max. Comp./Max. Ten. - All forces 250 (lb) or less except when shown.

TOP CHORD 2-3=-341/0

BOT CHORD 7-8=0/341, 6-7=0/341, 5-6=0/341

WEBS 3-5=-360/0, 2-8=-420/0

- NOTES**
- 1) Unbalanced floor live loads have been considered for this design.
 - 2) This truss is designed in accordance with the 2015 International Residential Code sections R502.11.1 and R802.10.2 and referenced standard ANSI/TPI 1.
 - 3) Recommend 2x6 strongbacks, on edge, spaced at 10-00-00 oc and fastened to each truss with 3-10d (0.131" X 3") nails. Strongbacks to be attached to walls at their outer ends or restrained by other means.



This design is based upon parameters shown, and is for an individual building component to be installed and loaded vertically. Applicability of design parameters and proper incorporation of component is responsibility of the Building Designer. Building Designer shall verify all design information on this sheet for conformance with conditions and requirements of the specific building and governing codes and ordinances. Building Designer accepts responsibility for the correctness or accuracy of the design information as it may relate to a specific building. Certification is valid only when truss is fabricated by a UFPI plant. Bracing shown is for lateral support of truss members only and does not replace erection and permanent bracing. Refer to Building Component Safety Information (BCSI) for general guidance regarding storage, erection and bracing available from SBCA and Truss Plate Institute.



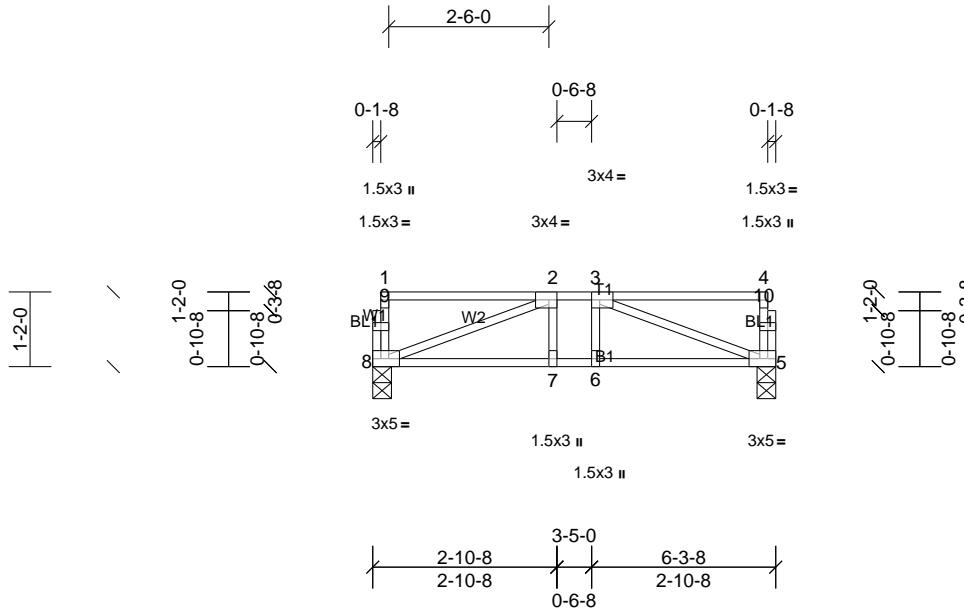
Job 72315765	Truss 2F5	Truss Type Truss	Qty 2	Ply 1	PRO BLDRS SUPPLY PLAN # 2 HOLLY RF Job Reference (optional)
-----------------	--------------	---------------------	----------	----------	--

UFP Mid Atlantic LLC, 5631 S. NC 62, Burlington, NC, Micah Clayton

Run: 8.62 S Sep 22 2022 Print: 8.620 S Sep 22 2022 MiTek Industries, Inc. Thu Apr 27 08:17:40

Page: 1

ID:ialuEau0xD0CXGZRx1SRyMrbR-VBuzJy2V06c4osSsUbCSOEAEbvsGGwsZ9ESTxzMb0P



Scale = 1:36.1

Plate Offsets (X, Y): [2:0-1-8,Edge], [3:0-1-8,Edge], [5:0-2-0,Edge], [8:0-2-0,Edge]

Loading	(psf)	Spacing	1-7-3	CSI	DEFL	in	(loc)	l/defl	L/d	PLATES	GRIP	
TCLL	40.0	Plate Grip DOL	1.00	TC	0.35	Vert(LL)	-0.02	7-8	>999	480	MT20	244/190
TCDL	10.0	Lumber DOL	1.00	BC	0.19	Vert(CT)	-0.02	7-8	>999	360		
BCLL	0.0	Rep Stress Incr	YES	WB	0.12	Horz(CT)	0.00	5	n/a	n/a		
BCDL	5.0	Code	IRC2015/TPI2014	Matrix-SH							Weight: 34 lb	FT = 20%F, 11%E

LUMBER		BRACING	
TOP CHORD	2x4 SP No.2(flat)	TOP CHORD	Structural wood sheathing directly applied or 6-0-0 oc purlins, except end verticals.
BOT CHORD	2x4 SP No.2(flat)	BOT CHORD	Rigid ceiling directly applied or 10-0-0 oc bracing.
WEBS	2x4 SP No.3(flat)		
OTHERS	2x4 SP No.3(flat)		

REACTIONS (lb/size) 5=261/0-3-8, (min. 0-1-8), 8=261/0-3-8, (min. 0-1-8)

FORCES (lb) - Max. Comp./Max. Ten. - All forces 250 (lb) or less except when shown.

TOP CHORD	2-3=-428/0
BOT CHORD	7-8=0/428, 6-7=0/428, 5-6=0/428
WEBS	3-5=-454/0, 2-8=-454/0

- NOTES**
- Unbalanced floor live loads have been considered for this design.
 - This truss is designed in accordance with the 2015 International Residential Code sections R502.11.1 and R802.10.2 and referenced standard ANSI/TPI 1.
 - Recommend 2x6 strongbacks, on edge, spaced at 10-00-00 oc and fastened to each truss with 3-10d (0.131" X 3") nails. Strongbacks to be attached to walls at their outer ends or restrained by other means.



This design is based upon parameters shown, and is for an individual building component to be installed and loaded vertically. Applicability of design parameters and proper incorporation of component is responsibility of the Building Designer. Building Designer shall verify all design information on this sheet for conformance with conditions and requirements of the specific building and governing codes and ordinances. Building Designer accepts responsibility for the correctness or accuracy of the design information as it may relate to a specific building. Certification is valid only when truss is fabricated by a UFPI plant. Bracing shown is for lateral support of truss members only and does not replace erection and permanent bracing. Refer to Building Component Safety Information (BCSI) for general guidance regarding storage, erection and bracing available from SBCA and Truss Plate Institute.



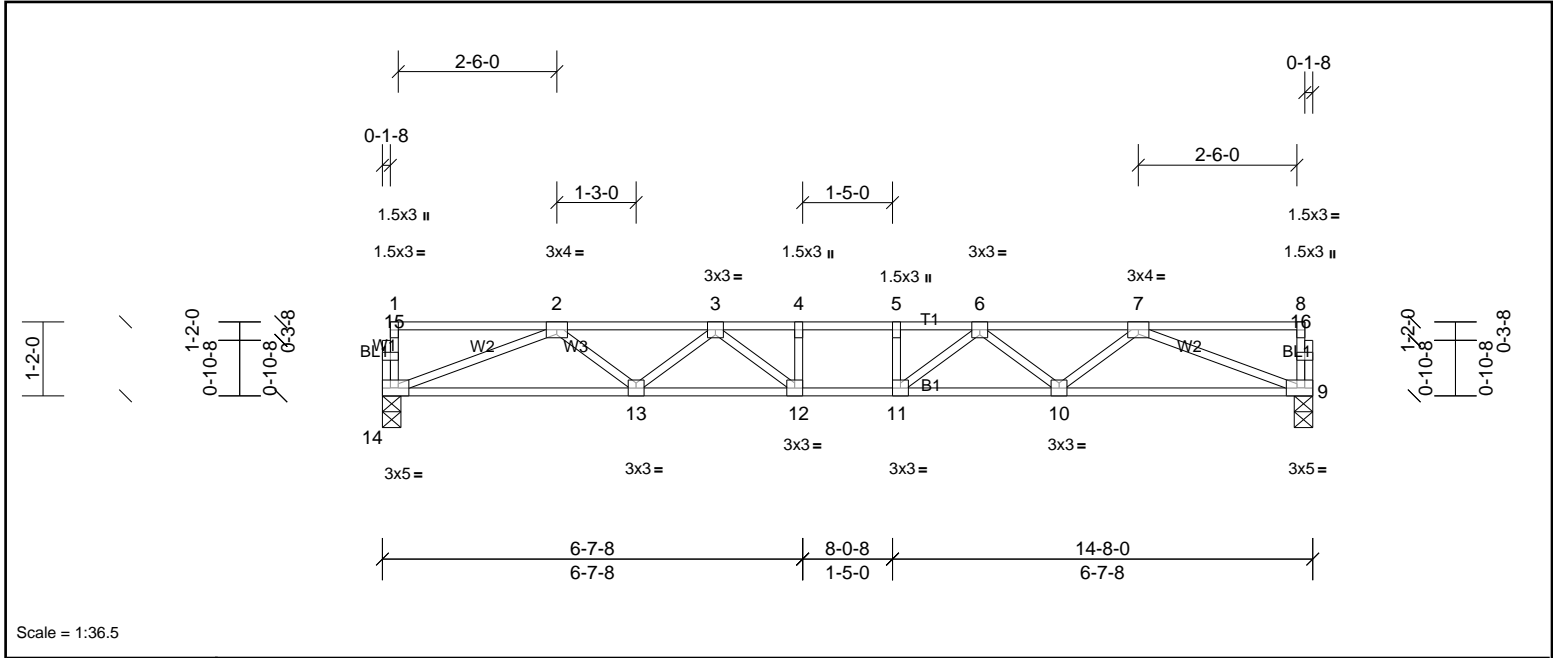
Job 72315765	Truss 2F6	Truss Type Truss	Qty 9	Ply 1	PRO BLDRS SUPPLY PLAN # 2 HOLLY RF Job Reference (optional)
-----------------	--------------	---------------------	----------	----------	--

UFP Mid Atlantic LLC, 5631 S. NC 62, Burlington, NC, Micah Clayton

Run: 8.62 S Sep 22 2022 Print: 8.620 S Sep 22 2022 MiTek Industries, Inc. Thu Apr 27 08:17:40

Page: 1

ID:XrxZ8HEfcnz9wSjIMwh2RhiyMrbL-VBuzJy2V06c4osSsUbCSoEAEJbplGBisZ9ESTxzMb0P



Scale = 1:36.5

Plate Offsets (X, Y): [9:0-2-0,Edge], [14:0-2-0,Edge]

Loading	(psf)	Spacing	1-7-3	CSI	DEFL	in	(loc)	l/defl	L/d	PLATES	GRIP	
TCLL	40.0	Plate Grip DOL	1.00	TC	0.32	Vert(LL)	-0.13	11-12	>999	480	MT20	244/190
TCDL	10.0	Lumber DOL	1.00	BC	0.61	Vert(CT)	-0.18	11-12	>972	360		
BCLL	0.0	Rep Stress Incr	YES	WB	0.39	Horz(CT)	0.04	9	n/a	n/a		
BCDL	5.0	Code	IRC2015/TPI2014	Matrix-SH							Weight: 73 lb	FT = 20%F, 11%E

LUMBER	BRACING
TOP CHORD 2x4 SP No.2(flat)	TOP CHORD Structural wood sheathing directly applied or 6-0-0 oc purlins, except end verticals.
BOT CHORD 2x4 SP No.2(flat)	BOT CHORD Rigid ceiling directly applied or 10-0-0 oc bracing.
WEBS 2x4 SP No.3(flat)	
OTHERS 2x4 SP No.3(flat)	

REACTIONS	(lb/size)
	9=629/0-3-8, (min. 0-1-8), 14=629/0-3-8, (min. 0-1-8)
FORCES	(lb) - Max. Comp./Max. Ten. - All forces 250 (lb) or less except when shown.
TOP CHORD	2-3=-1703/0, 3-4=-2169/0, 4-5=-2169/0, 5-6=-2169/0, 6-7=-1703/0
BOT CHORD	13-14=0/1345, 12-13=0/2025, 11-12=0/2169, 10-11=0/2025, 9-10=0/1345
WEBS	7-9=-1442/0, 2-14=-1442/0, 7-10=0/466, 2-13=0/466, 6-10=-418/0, 3-13=-418/0, 6-11=-46/373, 3-12=-46/373

- NOTES**
- 1) Unbalanced floor live loads have been considered for this design.
 - 2) This truss is designed in accordance with the 2015 International Residential Code sections R502.11.1 and R802.10.2 and referenced standard ANSI/TPI 1.
 - 3) Recommend 2x6 strongbacks, on edge, spaced at 10-00-00 oc and fastened to each truss with 3-10d (0.131" X 3") nails. Strongbacks to be attached to walls at their outer ends or restrained by other means.



This design is based upon parameters shown, and is for an individual building component to be installed and loaded vertically. Applicability of design parameters and proper incorporation of component is responsibility of the Building Designer. Building Designer shall verify all design information on this sheet for conformance with conditions and requirements of the specific building and governing codes and ordinances. Building Designer accepts responsibility for the correctness or accuracy of the design information as it may relate to a specific building. Certification is valid only when truss is fabricated by a UFPI plant. Bracing shown is for lateral support of truss members only and does not replace erection and permanent bracing. Refer to Building Component Safety Information (BCSI) for general guidance regarding storage, erection and bracing available from SBCA and Truss Plate Institute.



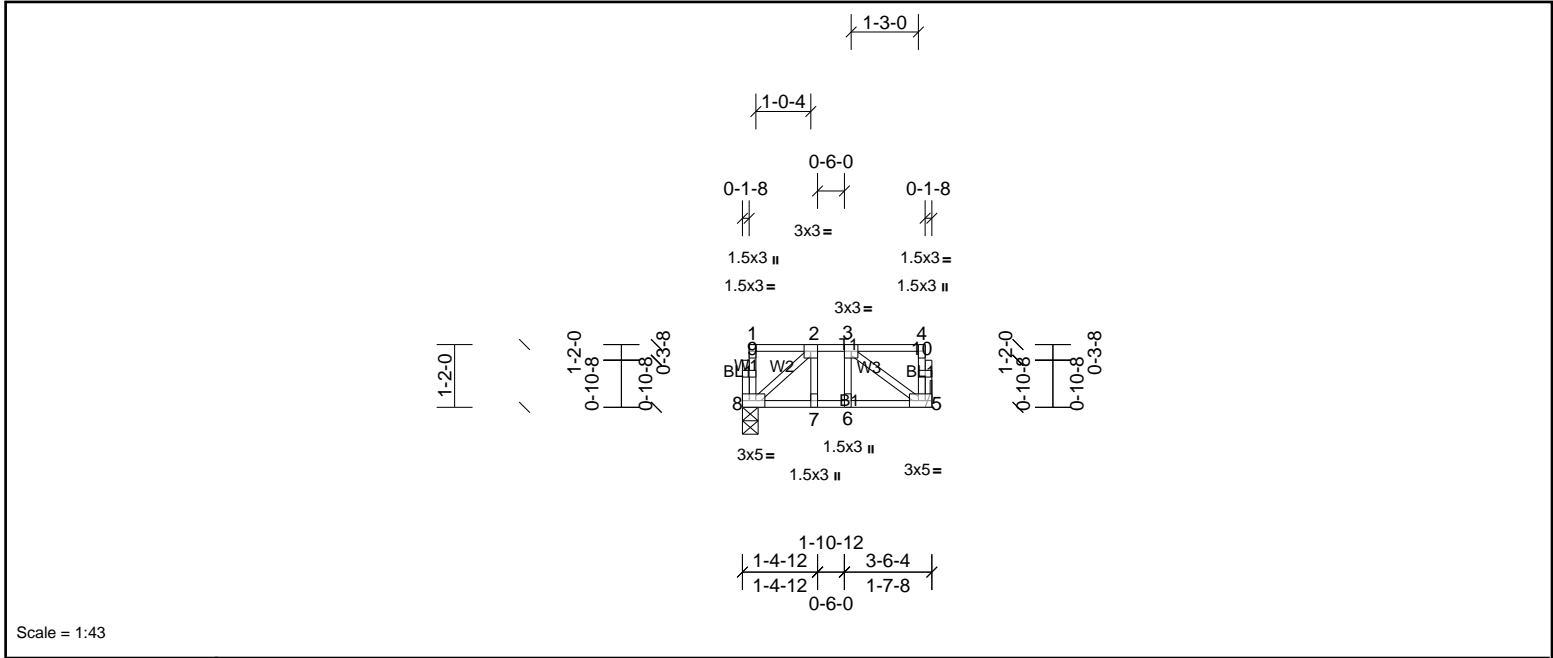
Job 72315765	Truss 2F7	Truss Type Truss	Qty 2	Ply 1	PRO BLDRS SUPPLY PLAN # 2 HOLLY RF Job Reference (optional)
-----------------	--------------	---------------------	----------	----------	--

UFP Mid Atlantic LLC, 5631 S. NC 62, Burlington, NC, Micah Clayton

Run: 8.62 S Sep 22 2022 Print: 8.620 S Sep 22 2022 MiTek Industries, Inc. Thu Apr 27 08:17:41

Page: 1

ID:uplSC?loQJbS0DcJIFecOlyMrbG-zOSLXl37nQkxQ0122JjhKSjTg?H0?kV?op_00NzMb00



Scale = 1:43

Plate Offsets (X, Y): [5:0-2-0,Edge], [8:0-2-0,Edge]

Loading	(psf)	Spacing	1-7-3	CSI		DEFL	in	(loc)	l/defl	L/d	PLATES	GRIP
TCLL	40.0	Plate Grip DOL	1.00	TC	0.09	Vert(LL)	0.00	6	>999	480	MT20	244/190
TCDL	10.0	Lumber DOL	1.00	BC	0.07	Vert(CT)	0.00	5-6	>999	360		
BCLL	0.0	Rep Stress Incr	YES	WB	0.04	Horz(CT)	0.00	5	n/a	n/a		
BCDL	5.0	Code	IRC2015/TPI2014	Matrix-SH							Weight: 22 lb	FT = 20%F, 11%E

LUMBER		BRACING	
TOP CHORD	2x4 SP No.2(flat)	TOP CHORD	Structural wood sheathing directly applied or 3-6-4 oc purlins, except end verticals.
BOT CHORD	2x4 SP No.2(flat)	BOT CHORD	Rigid ceiling directly applied or 10-0-0 oc bracing.
WEBS	2x4 SP No.3(flat)		
OTHERS	2x4 SP No.3(flat)		

REACTIONS (lb/size) 5=139/ Mechanical, (min. 0-1-8), 8=139/0-3-8, (min. 0-1-8)
FORCES (lb) - Max. Comp./Max. Ten. - All forces 250 (lb) or less except when shown.

- NOTES**
- Unbalanced floor live loads have been considered for this design.
 - This truss is designed in accordance with the 2015 International Residential Code sections R502.11.1 and R802.10.2 and referenced standard ANSI/TPI 1.
 - Recommend 2x6 strongbacks, on edge, spaced at 10-00-00 oc and fastened to each truss with 3-10d (0.131" X 3") nails. Strongbacks to be attached to walls at their outer ends or restrained by other means.



This design is based upon parameters shown, and is for an individual building component to be installed and loaded vertically. Applicability of design parameters and proper incorporation of component is responsibility of the Building Designer. Building Designer shall verify all design information on this sheet for conformance with conditions and requirements of the specific building and governing codes and ordinances. Building Designer accepts responsibility for the correctness or accuracy of the design information as it may relate to a specific building. Certification is valid only when truss is fabricated by a UFPI plant. Bracing shown is for lateral support of truss members only and does not replace erection and permanent bracing. Refer to Building Component Safety Information (BCSI) for general guidance regarding storage, erection and bracing available from SBCA and Truss Plate Institute.



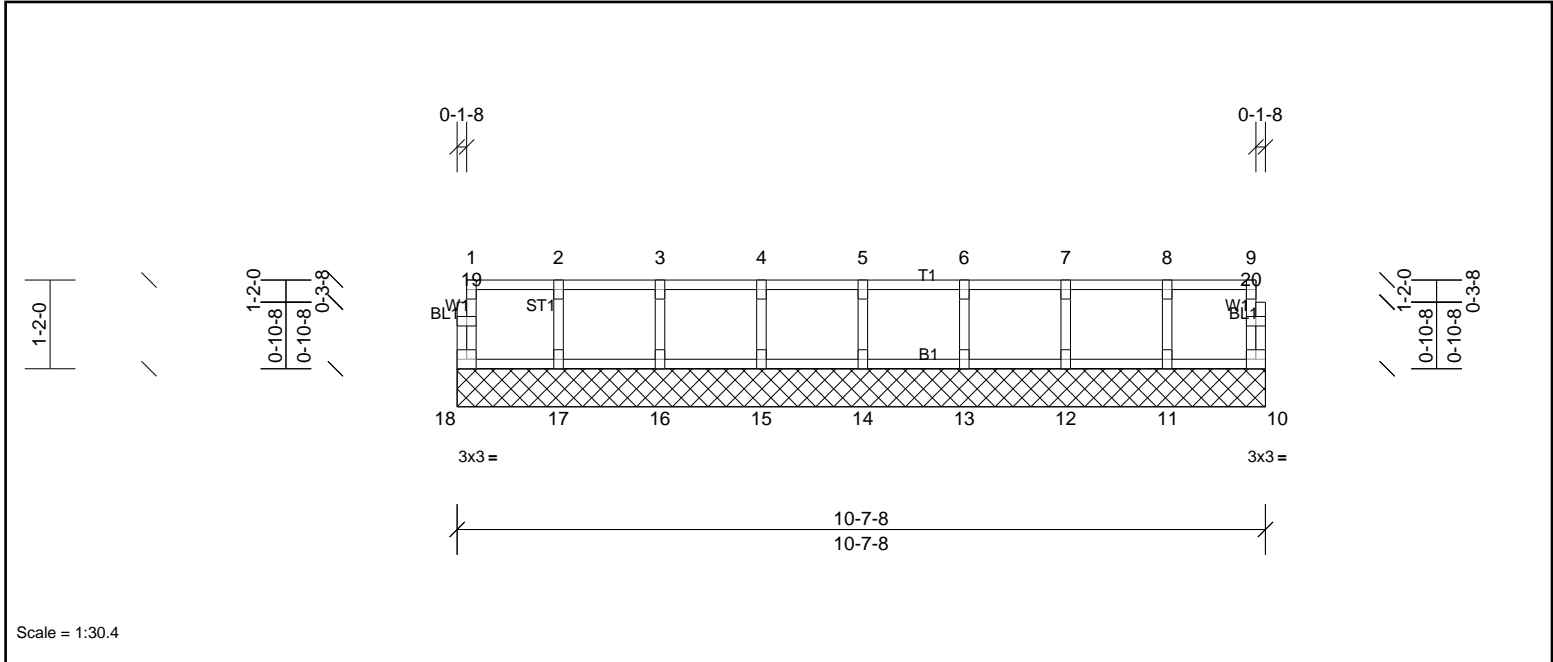
Job 72315765	Truss 2KW1	Truss Type Truss	Qty 1	Ply 1	PRO BLDRS SUPPLY PLAN # 2 HOLLY RF Job Reference (optional)
-----------------	---------------	---------------------	----------	----------	--

UFP Mid Atlantic LLC, 5631 S. NC 62, Burlington, NC, Micah Clayton

Run: 8.62 S Sep 22 2022 Print: 8.620 S Sep 22 2022 MiTek Industries, Inc. Thu Apr 27 08:17:41

Page: 1

ID:MYMhYzjB4?Ujcn2G5mpJ7yMraj-zOSLXl37nQkxQ0122JhKSJtu?ly?ke?op_00NzMb00



Scale = 1:30.4

Loading	(psf)	Spacing	2-0-0	CSI	DEFL	in	(loc)	l/defl	L/d	PLATES	GRIP
TCLL	40.0	Plate Grip DOL	1.00	TC	Vert(LL)	n/a	-	n/a	999	MT20	244/190
TCDL	10.0	Lumber DOL	1.00	BC	Vert(TL)	n/a	-	n/a	999		
BCLL	0.0	Rep Stress Incr	YES	WB	Horiz(TL)	0.00	10	n/a	n/a		
BCDL	5.0	Code	IRC2015/TPI2014	Matrix-R						Weight: 46 lb	FT = 20%F, 11%E

LUMBER		BRACING	
TOP CHORD	2x4 SP No.2(flat)	TOP CHORD	Structural wood sheathing directly applied or 6-0-0 oc purlins, except end verticals.
BOT CHORD	2x4 SP No.2(flat)	BOT CHORD	Rigid ceiling directly applied or 10-0-0 oc bracing.
WEBS	2x4 SP No.3(flat)		
OTHERS	2x4 SP No.3(flat)		

REACTIONS All bearings 10-7-8.
(lb) - Max Grav All reactions 250 (lb) or less at joint(s) 10, 11, 12, 13, 14, 15, 16, 17, 18

FORCES (lb) - Max. Comp./Max. Ten. - All forces 250 (lb) or less except when shown.

- NOTES**
- 1) All plates are 1.5x3 MT20 unless otherwise indicated.
 - 2) Gable requires continuous bottom chord bearing.
 - 3) Truss to be fully sheathed from one face or securely braced against lateral movement (i.e. diagonal web).
 - 4) Gable studs spaced at 1-4-0 oc.
 - 5) This truss is designed in accordance with the 2015 International Residential Code sections R502.11.1 and R802.10.2 and referenced standard ANSI/TPI 1.
 - 6) Recommend 2x6 strongbacks, on edge, spaced at 10-00-00 oc and fastened to each truss with 3-10d (0.131" X 3") nails. Strongbacks to be attached to walls at their outer ends or restrained by other means.



This design is based upon parameters shown, and is for an individual building component to be installed and loaded vertically. Applicability of design parameters and proper incorporation of component is responsibility of the Building Designer. Building Designer shall verify all design information on this sheet for conformance with conditions and requirements of the specific building and governing codes and ordinances. Building Designer accepts responsibility for the correctness or accuracy of the design information as it may relate to a specific building. Certification is valid only when truss is fabricated by a UFPI plant. Bracing shown is for lateral support of truss members only and does not replace erection and permanent bracing. Refer to Building Component Safety Information (BCSI) for general guidance regarding storage, erection and bracing available from SBCA and Truss Plate Institute.

