

Lot 23 WS - 154 Salem Village Drive Fuquay Varina, NC 27526

PLAN 4 The Selma - RH 'TRADITIONAL'

NEW HOME INC.

REVISION:001 DATE: 11/22/21

- ADJUST OPTION SQUARE FOOTAGES TO ACCURATELY SHOW THE DIFFERENCES FROM THE BASE PLAN SQUARE FOOTAGE TOTALS.

REVISION:002 DATE: 12/08/21

- RELOCATE FRONT DOOR TO ALIGN W/ GARAGE WALL. ADJUST FOUNDATION AND OPTIONS ACCORDINGLY.
- ADD WALL & DOOR AT FOYER FOR OPTIONAL SMART DOOR DELIVERY CENTER.
- NOTE DOOR INTO MAIN HOUSE W/ OPTIONAL SMART DOOR DELIVERY CENTER TO BE 3068 3/4 LITE W/ 12" TRANSOM.
- DIMENSION & LOCATE BED #4 CLOSET DOOR 5'-0" FROM EXTERIOR WALL.
- CHANGE DOOR WIDTH FROM 2/6 TO 2/4 @ BATH #3, BED #3 CLOSET, BATH #2, BED #2 CLOSET AND OPT. BED #5.
- FLIP PANTRY SHELVES, DELETE DOOR ACCESSED FROM DROP ZONE & ADD 2/4 DOOR ACCESSED FROM MESSY KITCHEN.
- DIMENSION TO CENTER OF TRIPLE WINDOWS ONLY.
- MAKE ALL STUD POCKETS 4 1/2".
- ADD NOTE AT FIREPLACE FOR A "42"x39" R.O." FOR FIREBOX.
- RELOCATE WALL UNDER STAIR & NOTE @ 36" WALL HT (V.I.F.).
- ADD GOURMET KITCHEN, ALTERNATE KITCHEN AND ALTERNATE GOURMET KITCHEN OPTIONS.
- DELETE 2ND WINDOW NEAREST TO CORNER @ POCKET OPTION.
- DELETE OPTIONAL PANTRY DOOR LOCATION.
- CHANGE SIDELOAD GARAGE FRONT WINDOWS FROM 5/0 HT TO 6/0 HT.
- ADD 6" DEEP CHASE BEHIND 2ND FL LINEN CLOSET @ HALL.
- RELOCATE WATER HEATER AT SIDELOAD GARAGE UNDER NEW LINEN CLOSET CHASE.
- DECREASE DEPTH OF CHASE BEHIND OWNERS BATH WATER CLOSET TO 10" TO INCREASE WATER CLOSET DEPTH TO 6'-1".
- MOVE OWNERS VANITY WALL UP TO ALLOW ROOM IN LAUNDRY FOR CHASE @ LINEN, OPT 30" CAB W/ OPT L.T. AND WASHER/DRYER.
- ADD PULL DOWN STAIR IN LAUNDRY. NOTE "25 1/2" X 54 1/2" R.O."
- ADD 18"x24" CHASE IN OWNERS WC CLOSET @ SHOWER WALL.
- MAKE BATH#2 VANITY 60".
- MAKE WC @ BED#2 5'-4" DEEP, ADDING 3" TO BATH #2.
- MOVE BATH#2 TOILET, TUB AND WINDOW 3" TOWARD FRONT OF HOUSE.
- MAKE WINDOW IN BED #2 CLOSET TEMPERED.

REVISION:003 DATE: 2/4/2022

- DIMENSION TRIPLE STUD POCKETS
- RELOCATE ISLAND PER REDLINES.
- REMOVE WINDOW IN MESSY KITCHEN
- FULL HEIGHT WALL AT END OF CABINETS ON GARAGE ADJACENT WALL.
- REMOVE UNDER-COUNTER SIDE WALLS IN ISLAND.
- SHOW AND CALL OUT DROP ZONE BENCH AS 18" DEEP.
- VERIFY CASED OPENINGS ARE 3/0x6/8 ON 1ST FLOOR.
- ELIMINATE ALT KITCHEN
- MATCH BASE PLAN LOCATION FOR WATER HEATER IN SIDE LOAD GARAGE.
- 3/4 LITE ENTRY DOOR.
- CREATE SHOWER OPTION WITH 18" SEAT.
- RESIZE STANDARD SHOWER TO 60x36. EXTEND FULL HEIGHT WALL AT STANDARD SHOWER.
- ADD 2X6 WALL JUST INSIDE EXTERIOR WALL FOR OPT. SUPER SHOWER W/ OPT. 2ND FLOOR.
- ALL LINEN CALLED OUT AS (4) SHELVES.
- POCKET DOORS CHANGE TO STANDARD 2/4 IN OWNER'S WC TO LAUNDRY.
- EXTEND REAR PORCH 6" SO BEAM BEARS ON CAFE WALL.
- CHANGE COLUMNS TO 6X6 P.T. WITH 1X WRAP FOR TRADITIONAL ELEVATION.
- CHANGE REAR PORCH COLUMNS TO 6X6 P.T. POST, NO WRAP.
- CHANGE ENTRY DOOR TO 3/4 LITE
- EXTEND PORCH SLAB 4" AT FRONT AND EXTEND AROUND CORNER 20" TO SUPPORT STONE VENEER.
- REMOVED HALF WALLS AT KITCHEN ISLAND AND UPDATED PER CABINET PROVIDER
- CHANGED THE BASE OWNER'S BATH WINDOW TO 4010
- CHANGED THE OWNER'S BATH OPTION SHOWER W/18" SEAT WINDOW TO 4010
- CHANGED THE OWNER'S BATH OPTION SUPER SHOWER WINDOWS TO (2)3010
- CHANGED THE OPTION 2ND FLOOR OWNER'S BATH WINDOW TO 4010
- CHANGED THE OPTION 2ND FLOOR OWNER'S BATH OPTION SUPER SHOWER WINDOWS TO (2)3010
- CHANGED 2ND FLOOR WINDOW OVER PORCH TO BE 2040 ALL ELEVATIONS
- UPDATED THE WINDOW HEADER AT THE STAIR LANDING TO BE 8"-10" ABOVE LANDING
- RE-CENTERED GEORGIAN PORCH TO BE CENTERED ON THE WINDOW ABOVE
- ADDED AN EXTENDED PORCH OPTION TO THE TRADITIONAL ELEVATION ONLY

REVISION:004 DATE: 3/30/2022

- CHANGED 2ND FLOOR WINDOW OVER PORCH TO BE 2040 ALL ELEVATIONS
- UPDATED THE WINDOW HEADER AT THE STAIR LANDING TO BE 8"-10" ABOVE LANDING
- CHANGED SIZE OF GEORGIAN PORCH TO BE CENTERED ON THE WINDOW ABOVE
- CHANGED STYLE OF GEORGIAN COLUMNS FROM ROUND TO SQUARE
- ADDED AN EXTENDED PORCH OPTION TO THE TRADITIONAL ELEVATION ONLY
- ADDED ELECTRICAL PLAN SHEETS

REVISION:005 DATE: 7/22/2022

- ADD STEM WALL SLAB FOUNDATION SHEETS.
- ADD "STEM WALL" TO CRAWL ELEVATION TITLES AND ADD NOTE "SEE FOUNDATION PAGES FOR FOUNDATION TYPE". UPDATE SHEET TITLES

REVISION:006 DATE: 1/11/2023

- ADD THIRD CAR GARAGE OPTION MODIFYING THE 2 CAR GARAGE AND BEDROOM #2, ELEVATIONS.



| Sheet No. | Sheet Description |
|-----------|---|
| 0.0 | Cover Sheet |
| 1.1 | Foundation (Slab) |
| 1.1.1 | Foundation Options (Slab) |
| 1.1.2 | Third Car Garage Options Foundation (Slab) |
| 1.2 | Foundation (Crawl) |
| 1.2.1 | Foundation Options (Crawl) |
| 1.2.2 | Third Car Garage Options Foundation (Crawl) |
| 1.3 | Foundation (Stem Wall Slab) |
| 1.3.1 | Foundation Options (Stem Wall Slab) |
| 1.3.2 | Third Car Garage Options Foundation (Stem Wall Slab) |
| 2.1 | First Floor Plan |
| 2.1.1 | First Floor Plan Options |
| 2.2 | Second Floor Plan |
| 2.2.1 | Second Floor Plan Options |
| 2.3.1 | Third Car Garage Option - Floor Plan |
| 2.4 | Covered Porch Plans & Elevations (Slab) |
| 2.4.1 | Covered Porch Plans & Elevations (Crawl/Stem Wall) |
| 2.5 | Side Load Garage Elevations (Slab) |
| 2.5.1 | Side Load Garage Elevations (Crawl/ Stem Wall) |
| 2.6 | Third Car Garage Right & Front Elevations (Crawl/ Slab) |
| 2.6.1 | Third Car Garage Left & Rear Elevations (Crawl/ Slab) |
| 3.1 | Front & Rear Elevations (Slab) |
| 3.1.1 | Front & Rear Elevations (Crawl/Stem Wall) |
| 3.2 | Side Elevations (Slab) |
| 3.2.1 | Side Elevations (Crawl/Stem Wall) |
| 3.3 | Roof Plan |
| 3.3.1 | Roof Plan- Third Car Garage Option |
| 5.1 | First Floor Electrical |
| 5.1.1 | First Floor Options Electrical |
| 5.2 | Second Floor Electrical |
| 5.2.1 | Second Floor Options Electrical |
| 5.3 | Third Car Garage Option Electrical |

| | 'ENGLISH COUNTRY' ELEVATION | |
|---------------------|-----------------------------|-------------|
| | UNHEATED | HEATED |
| FIRST FLOOR | 0 | 1203 |
| SECOND FLOOR | 0 | 1461 |
| FRONT PORCH (CRAWL) | 138 | 0 |
| FRONT PORCH (SLAB) | 139 | 0 |
| REAR PATIO/DECK | 208 | 0 |
| 2 CAR GARAGE | 415 | 0 |
| SUBTOTALS | 900 | 2664 |
| TOTAL UNDER ROOF | 3564 | |
| OPTIONS | | |
| | UNHEATED S.F. | HEATED S.F. |
| OPT. POCKET OFFICE | 0 | +64 |
| FIREPLACE BUMP-OUT | 0 | +34 |
| COVERED PATIO/DECK | 210 | 0 |
| THIRD CAR GARAGE | +323 | +40 |
| EXTENDED PORCH | +80 | |

DESIGN CRITERIA:

THIS PLAN IS TO BE BUILT IN CONFORMANCE WITH THE 2018 NORTH CAROLINA STATE BUILDING CODE: RESIDENTIAL CODE

DIMENSIONS SHALL GOVERN OVER SCALE, AND CODE SHALL GOVERN OVER DIMENSIONS.

| REV.# | DESCRIPTION | DATE |
|-------|-------------|------|
| 1 | | |
| 2 | | |
| 3 | | |
| 4 | | |
| 5 | | |
| 6 | | |
| 7 | | |
| 8 | | |

PLAN 4 - THE SELMA - RH

Cover Sheet 'Traditional'

DRAWN BY:

South Designs

ISSUE DATE:

7/1/2021

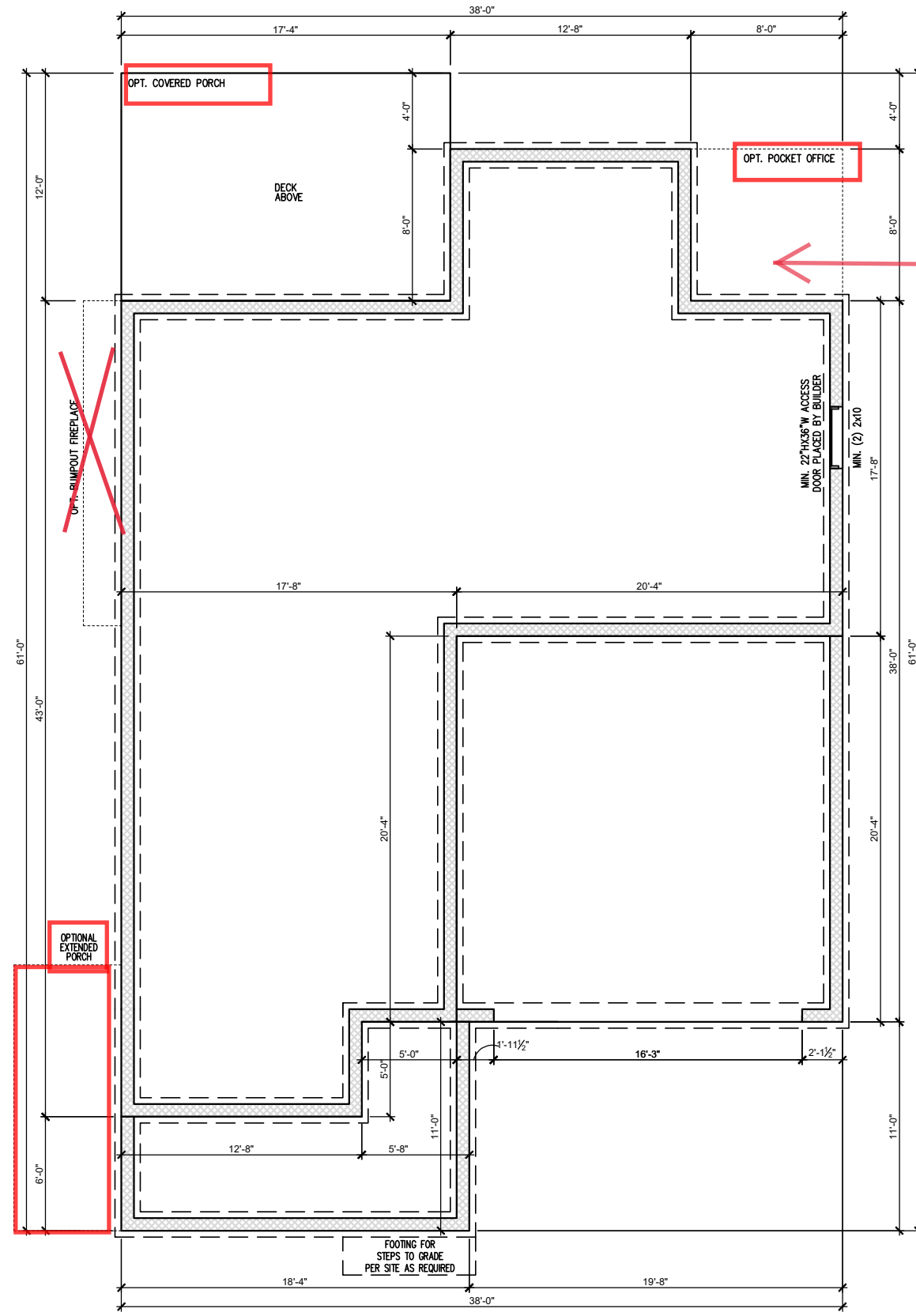
CURRENT REVISION DATE:

SCALE:

1/8" = 1'-0"

SHEET

0.0a



See Pg 1.2.1 a Opt Pocket Office

See Pg 1.2.1 a Opt Porch Extension

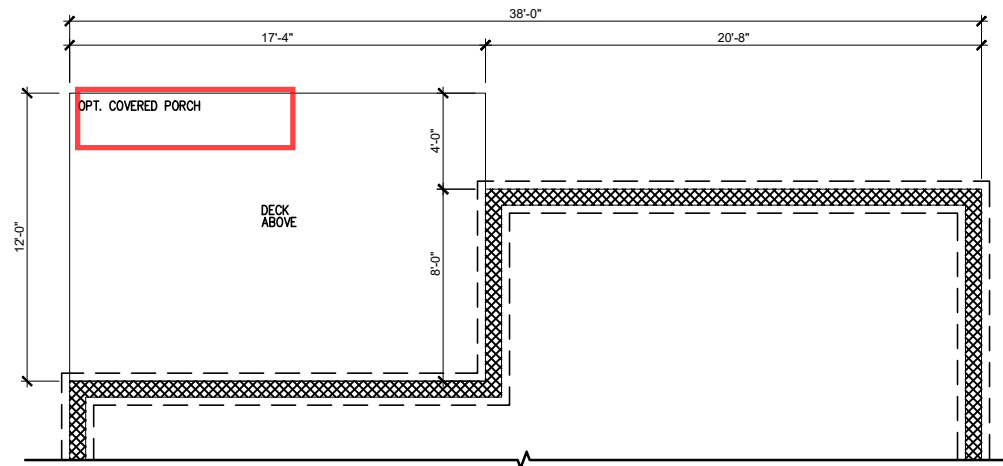
CRAWL SPACE FOUNDATION 'TRADITIONAL'
 SCALE: 1/8"=1'-0" ON 11x17, 1/4"=1'-0" ON 22x34

| REV. # | DESCRIPTION | DATE |
|--------|----------------------|------------|
| 1 | REFER TO COVER SHEET | 11/22/2021 |
| 2 | REFER TO COVER SHEET | 12/08/2021 |
| 3 | REFER TO COVER SHEET | 2/1/2022 |
| 4 | REFER TO COVER SHEET | 3/30/2022 |
| 5 | --- | --- |
| 6 | --- | --- |
| 7 | --- | --- |
| 8 | --- | --- |

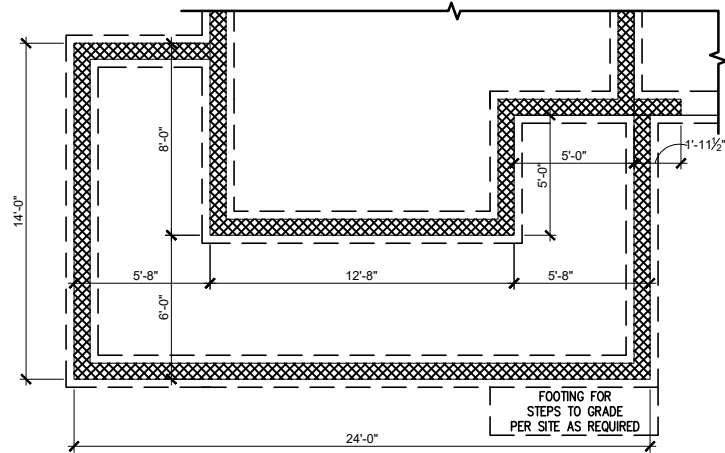
PLAN 4 - THE SELMA RH
 SINGLE FAMILY
 Crawl Foundation 'Traditional'

DRAWN BY:
 South Designs
 ISSUE DATE:
 07/01/2021
 CURRENT REVISION DATE:

SCALE:
 1/8" = 1'-0"
 SHEET
1.2a



CRAWL FND. W/ OPT. POCKET OFFICE
 SCALE: 1/8"=1'-0" ON 11x17, 1/4"=1'-0" ON 22x34



2-CAR GARAGE
CRAWL FND. W/ OPT. EXTENDED PORCH
 SCALE: 1/8"=1'-0" ON 11x17, 1/4"=1'-0" ON 22x34

| REV.# | DESCRIPTION | DATE |
|-------|-------------|------|
| 1 | --- | --- |
| 2 | --- | --- |
| 3 | --- | --- |
| 4 | --- | --- |
| 5 | --- | --- |
| 6 | --- | --- |
| 7 | --- | --- |
| 8 | --- | --- |

PLAN 4 - THE SELMA - RH

Crawl Foundation Options - Traditional

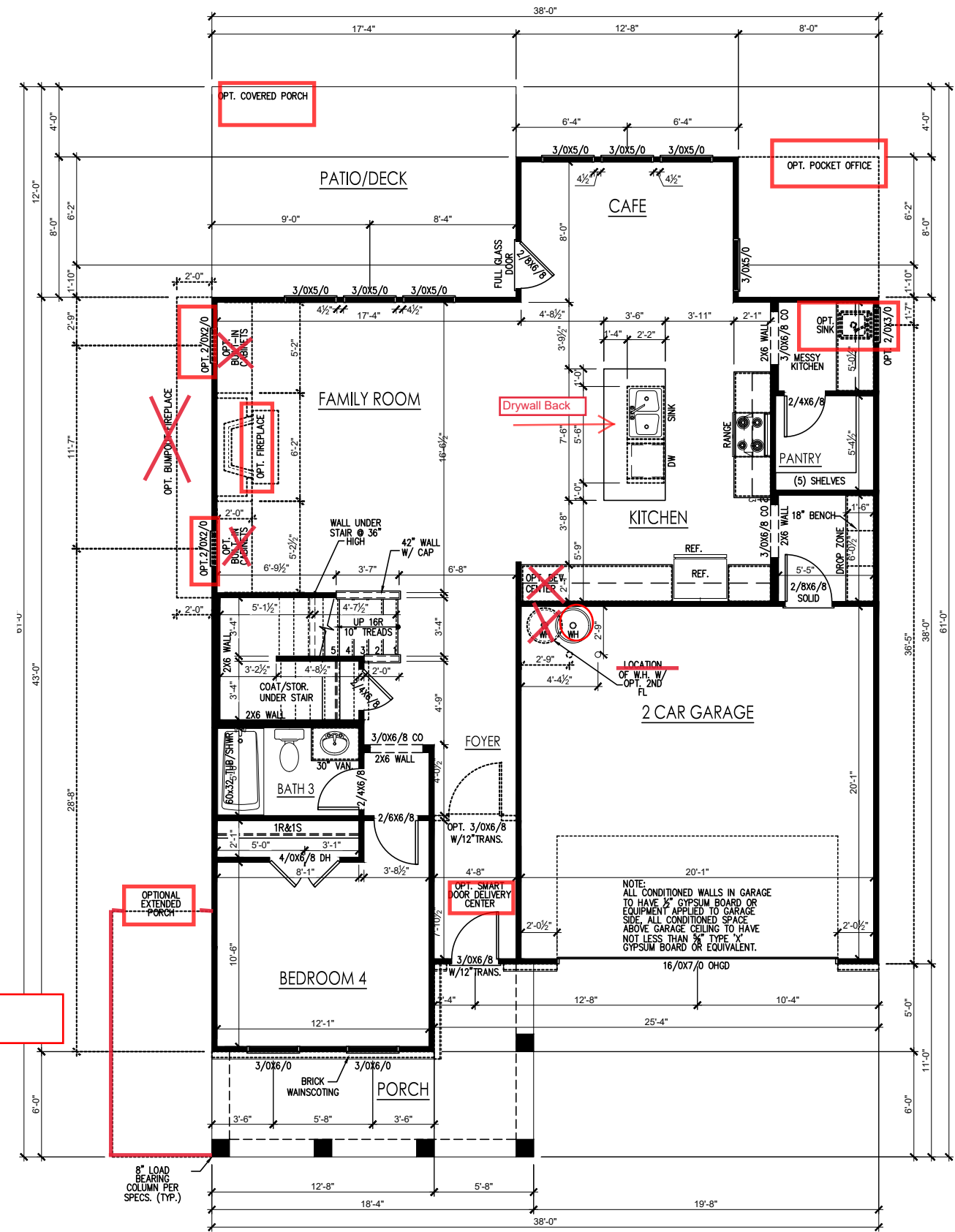
DRAWN BY:
South Designs
 ISSUE DATE:
7/1/2021
 CURRENT REVISION DATE:

 SCALE:
1/8" = 1'-0"
 SHEET
1.2.1a

General Floor Plan Notes

General Floor Plan Notes shall apply unless noted otherwise on plan.

1. Wall Heights: Typically 9'-1 1/2" at first floor and 8'-1 1/2" at second floor and attics U.N.O. All walls are constructed using a double top plate. Splices at Double Top Plate do not need to occur at Vertical Studs but must be at least 24" apart from Joint in other Top Plate layer. Special wall heights are noted on plans where they occur.
2. Wall Thickness is typically 3 1/2". 2x6 frame shall be used at walls that back up to plumbing fixtures. Walls greater than 10' high shall be framed with 2x6 framing or greater and will be noted as a special condition where it occurs on plan.
3. Typical header height shall be 6'-11" AFF at First Floor, and 6'-11" AFF at Second Floor U.N.O. on elevation drawings. Windows at front elevation may be higher at the first floor.
4. Jacks: Openings up to 3'-4" wide shall have (1) 2x4 jack stud SPF on each side. Openings greater than 3'-4" wide shall have (2) 2x4 jack studs SPF on each side.
5. Soffits: Coffered Ceilings, Tray Ceilings and other significant ceiling plan elements are shown on the floor plans and are denoted as single dashed lines. Unless specifically call out as included, Kitchens do not include soffits over wall cabinetry.
6. Door & Window Frames, where occurring near corners, shall be a minimum of 4 1/2" from corner. Except for walk-in closets with doors near a corner, doors at closets shall be centered on closet.
7. Windows: Shall have at least (1) window in each sleeping room, that meets egress. Shall be provided with tempered glass at hazardous glazing areas. False windows shall be installed with obscure glazing.
8. Closets for clothing or coat storage shall be equipped with 1 rod/shelf. Closets for linen shall have 4 open equal shelves. Closets for pantries shall have 4 equal wood shelves, painted.
9. Stair treads shall be a min of 9" deep, risers shall be a maximum of 8 1/4", unless noted otherwise, per the current North Carolina Residential Code
10. Handrails and Guards at stairs shall be 34" above the finished surface of the ramp surface of the stair. Handrails at landings and overlooks of multilevel spaces shall be 36" above finished floor. Guards (pickets or balusters) shall be spaced with no more than 4" between guards.
11. Attic Access shall be provided at all attic area with a height greater than 30". Minimum clear attic access shall be 20" x 30". Pull down stairs and access doors in knee walls meeting minimum criteria are also acceptable.
12. Garage Door to Living Space shall be 2'-8" x 6'-8" minimum size and shall be 20 minute fire rated and weather sealed.
13. Garage Walls, as a minimum, shall be separated from living space by installing 1/2" gypsum board on the garage side of the wall. With habitable space above, the inside of all garage walls require 1/2" GWB supporting 5/8" type X GWB on ceiling.



See Pg. 2.1.1a
Extended Porch

FIRST FLOOR PLAN 'TRADITIONAL'
SCALE: 1/8"=1'-0" ON 11x17, 1/4"=1'-0" ON 22x34

| REV.# | DESCRIPTION | DATE |
|-------|-------------|------|
| 1 | | |
| 2 | | |
| 3 | | |
| 4 | | |
| 5 | | |
| 6 | | |
| 7 | | |
| 8 | | |

PLAN 4 - THE SELMA - RH
First Floor Plan 'Traditional'

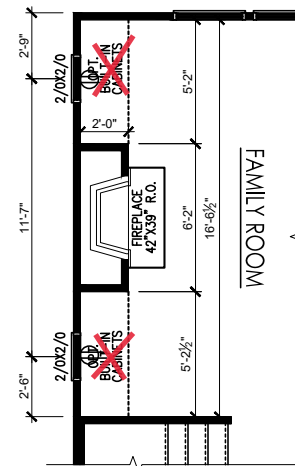
DRAWN BY:
South Designs
ISSUE DATE:
7/1/2021
CURRENT REVISION DATE:

SCALE:
1/8" = 1'-0"
SHEET
2.1a

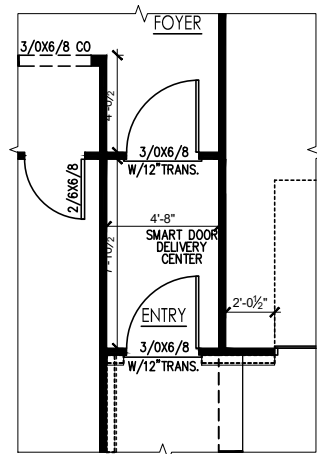
General Floor Plan Notes

General Floor Plan Notes shall apply unless noted otherwise on plan.

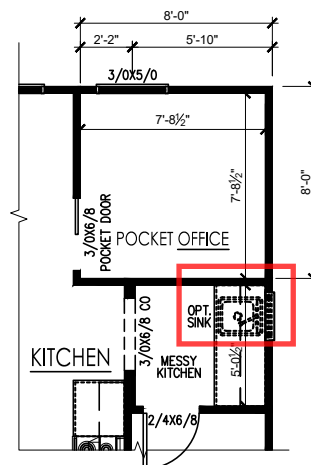
1. Wall Heights: Typically 9'-1 1/2" at first floor and 8'-1 1/2" at second floor and attics U.N.O. All walls are constructed using a double top plate. Splices at Double Top Plate do not need to occur at Vertical Studs but must be at least 24" apart from Joint in other Top Plate layer. Special wall heights are noted on plans where they occur.
2. Wall Thickness is typically 3 1/2". 2x6 frame shall be used at walls that back up to plumbing fixtures. Walls greater than 10' high shall be framed with 2x6 framing or greater and will be noted as a special condition where it occurs on plan.
3. Typical header height shall be 6'-11" AFF at First Floor, and 6'-11" AFF at Second Floor U.N.O. on elevation drawings. Windows at front elevation may be higher at the first floor.
4. Jacks: Openings up to 3'-4" wide shall have (1) 2x4 jack stud SPF on each side. Openings greater than 3'-4" wide shall have (2) 2x4 jack studs SPF on each side.
5. Soffits: Coffered Ceilings, Tray Ceilings and other significant ceiling plan elements are shown on the floor plans and are denoted as single dashed lines. Unless specifically call out as included, Kitchens do not include soffits over wall cabinetry.
6. Door & Window Frames, where occurring near corners, shall be a minimum of 4 1/2" from corner. Except for walk-in closets with doors near a corner, doors at closets shall be centered on closet.
7. Windows: Shall have at least (1) window in each sleeping room, that meets egress. Shall be provided with tempered glass at hazardous glazing areas. False windows shall be installed with obscure glazing.
8. Closets for clothing or coat storage shall be equipped with 1 rod/shelf. Closets for linen shall have 4 open equal shelves. Closets for pantries shall have 4 equal wood shelves, painted.
9. Stair treads shall be a min of 9" deep, risers shall be a maximum of 8 1/4", unless noted otherwise, per the current North Carolina Residential Code
10. Handrails and Guards at stairs shall be 34" above the finished surface of the ramp surface of the stair. Handrails at landings and overlooks of multilevel spaces shall be 36" above finished floor. Guards (pickets or balusters) shall be spaced with no more than 4" between guards.
11. Attic Access shall be provided at all attic area with a height greater than 30". Minimum clear attic access shall be 20" x 30". Pull down stairs and access doors in knee walls meeting minimum criteria are also acceptable.
12. Garage Door to Living Space shall be 2'-8" x 6'-8" minimum size and shall be 20 minute fire rated and weather sealed.
13. Garage Walls, as a minimum, shall be separated from living space by installing 1/2" gypsum board on the garage side of the wall. With habitable space above, the inside of all garage walls require 1/2" GWB supporting 5/8" type X GWB on ceiling.



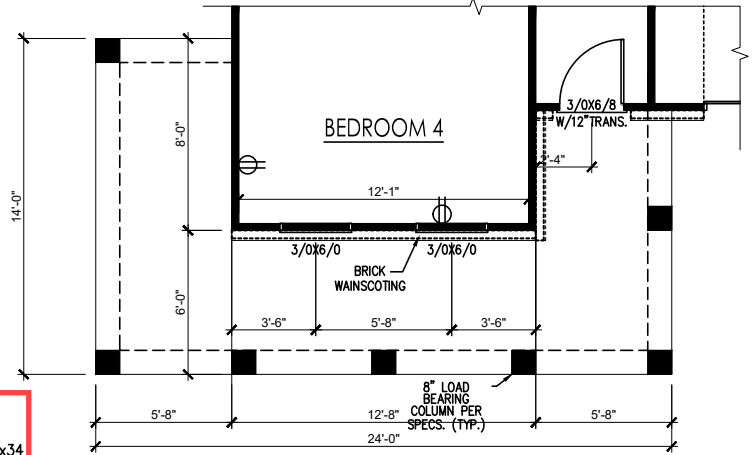
OPT. INTERIOR FIREPLACE
SCALE: 1/8"=1'-0" ON 11x17, 1/4"=1'-0" ON 22x34



OPT. SMART DOOR
SCALE: 1/8"=1'-0" ON 11x17, 1/4"=1'-0" ON 22x34



OPT. POCKET OFFICE
SCALE: 1/8"=1'-0" ON 11x17, 1/4"=1'-0" ON 22x34



OPT. EXTENDED PORCH
SCALE: 1/8"=1'-0" ON 11x17, 1/4"=1'-0" ON 22x34

| REV.# | DESCRIPTION | DATE |
|-------|-------------|------|
| 1 | | |
| 2 | | |
| 3 | | |
| 4 | | |
| 5 | | |
| 6 | | |
| 7 | | |
| 8 | | |

PLAN 4 - THE SELMA - RH
First Floor Plan 'Traditional'

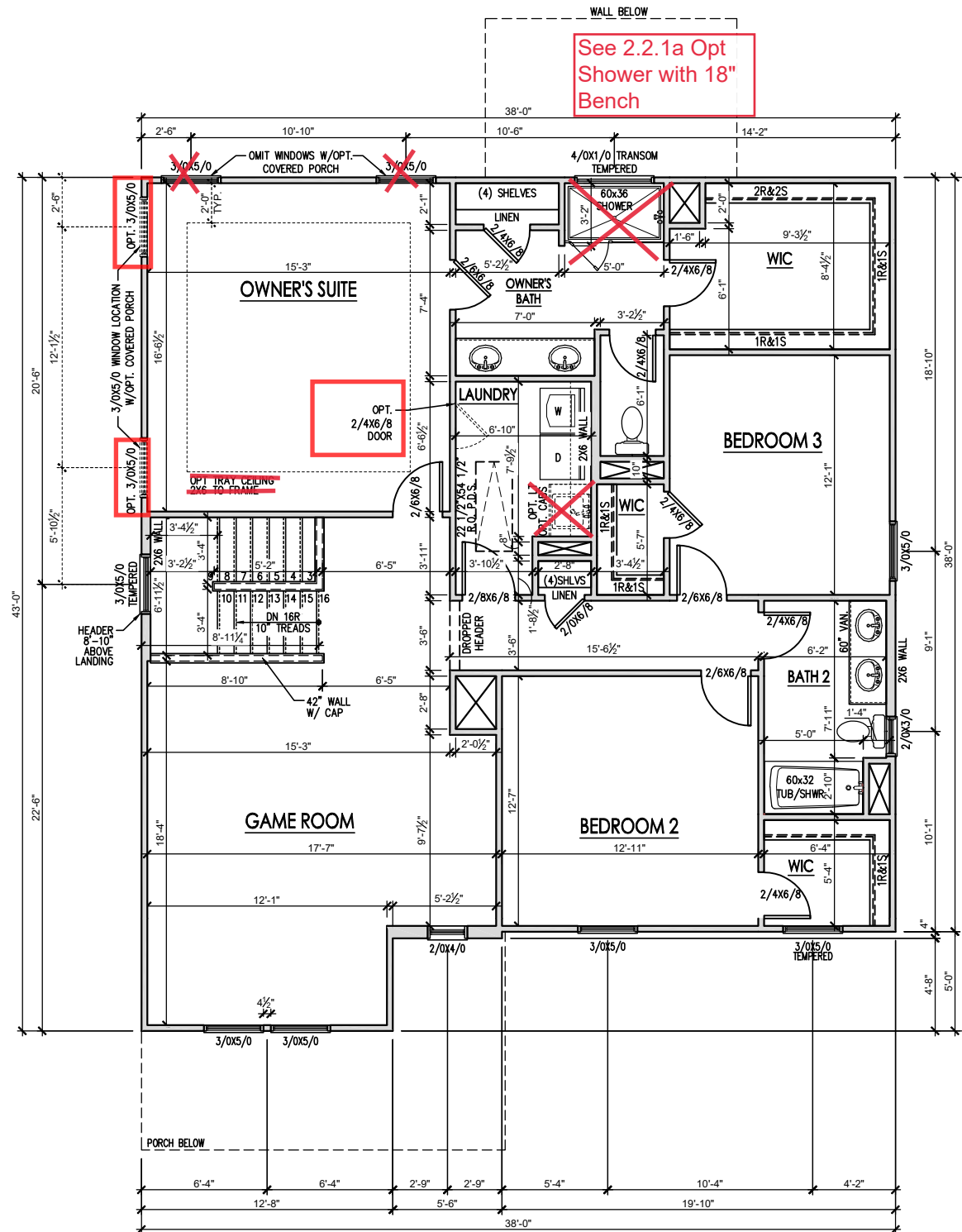
DRAWN BY:
South Designs
ISSUE DATE:
7/1/2021
CURRENT REVISION DATE:

SCALE:
1/8" = 1'-0"
SHEET
2.1.1a

General Floor Plan Notes

General Floor Plan Notes shall apply unless noted otherwise on plan.

1. Wall Heights: Typically 9'-1 1/2" at first floor and 8'-1 1/2" at second floor and attics U.N.O. All walls are constructed using a double top plate. Splices at Double Top Plate do not need to occur at Vertical Studs but must be at least 24" apart from Joint in other Top Plate layer. Special wall heights are noted on plans where they occur.
2. Wall Thickness is typically 3 1/2". 2x6 frame shall be used at walls that back up to plumbing fixtures. Walls greater than 10' high shall be framed with 2x6 framing or greater and will be noted as a special condition where it occurs on plan.
3. Typical header height shall be 6'-11" AFF at First Floor, and 6'-11" AFF at Second Floor U.N.O. on elevation drawings. Windows at front elevation may be higher at the first floor.
4. Jacks: Openings up to 3'-4" wide shall have (1) 2x4 jack stud SPF on each side. Openings greater than 3'-4" wide shall have (2) 2x4 jack studs SPF on each side.
5. Soffits, Coffered Ceilings, Tray Ceilings and other significant ceiling plan elements are shown on the floor plans and are denoted as single dashed lines. Unless specifically call out as Included, Kitchens **do not** include soffits over wall cabinetry.
6. Door & Window Frames, where occurring near corners, shall be a minimum of 4 1/2" from corner. Except for walk-in closets with doors near a corner, doors at closets shall be centered on closet.
7. Windows: Shall have at least (1) window in each sleeping room, that meets egress. Shall be provided with tempered glass at hazardous glazing areas. False windows shall be installed with obscure glazing.
8. Closets for clothing or coat storage shall be equipped with 1 rod/shelf. Closets for linen shall have 4 open equal shelves. Closets for pantries shall have 4 equal wood shelves, painted.
9. Stair treads shall be a min of 9" deep, risers shall be a maximum of 8 1/4", unless noted otherwise, per the current North Carolina Residential Code
10. Handrails and Guards of stairs shall be 34" above the finished surface of the ramp surface of the stair. Handrails at landings and overlooks of multilevel spaces shall be 36" above finished floor. Guards (pickets or balusters) shall be spaced with no more than 4" between guards.
11. Attic Access shall be provided at all attic area with a height greater than 30". Minimum clear attic access shall be 20" x 30". Pull down stairs and access doors in knee walls meeting minimum criteria are also acceptable.
12. Garage Door to Living Space shall be 2'-8" x 6'-8" minimum size and shall be 20 minute fire rated and weather sealed.
13. Garage Walls, as a minimum, shall be separated from living space by installing 1/2" gypsum board on the garage side of the wall. With habitable space above, the inside of all garage walls require 1/2" GWB supporting 5/8" type X GWB on ceiling.



SECOND FLOOR PLAN 'TRADITIONAL'
SCALE: 1/8"=1'-0" ON 11x17, 1/4"=1'-0" ON 22x34

| REV. # | DESCRIPTION | DATE |
|--------|----------------------|------------|
| 1 | REFER TO COVER SHEET | 11/22/2021 |
| 2 | REFER TO COVER SHEET | 12/08/2021 |
| 3 | REFER TO COVER SHEET | 2/14/2022 |
| 4 | REFER TO COVER SHEET | 3/30/2022 |
| 5 | | |
| 6 | | |
| 7 | | |
| 8 | | |

PLAN 4 - THE SELMA RH
SINGLE FAMILY
Second Floor Plan 'Traditional'

DRAWN BY:
South Designs
ISSUE DATE:
07/01/2021
CURRENT REVISION DATE:
-

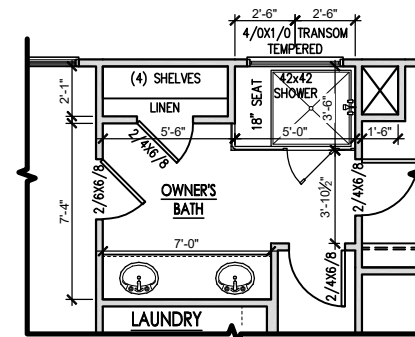
SCALE:
1/8" = 1'-0"

SHEET
2.2a

General Floor Plan Notes

General Floor Plan Notes shall apply unless noted otherwise on plan.

1. Wall Heights: Typically 9'-1 1/2" at first floor and 8'-1 1/2" at second floor and attics U.N.O. All walls are constructed using a double top plate. Splices at Double Top Plate do not need to occur at Vertical Studs but must be at least 24" apart from Joint in other Top Plate layer. Special wall heights are noted on plans where they occur.
2. Wall Thickness is typically 3 1/2". 2x6 frame shall be used at walls that back up to plumbing fixtures. Walls greater than 10' high shall be framed with 2x6 framing or greater and will be noted as a special condition where it occurs on plan.
3. Typical header height shall be 6'-11" AFF at First Floor, and 6'-11" AFF at Second Floor U.N.O. on elevation drawings. Windows at front elevation may be higher at the first floor.
4. Jacks: Openings up to 3'-4" wide shall have (1) 2x4 jack stud SPF on each side. Openings greater than 3'-4" wide shall have (2) 2x4 jack studs SPF on each side.
5. Soffits, Coffered Ceilings, Trey Ceilings and other significant ceiling plan elements are shown on the floor plans and are denoted as single dashed lines. Unless specifically call out as Included, Kitchens **do not** include soffits over wall cabinetry.
6. Door & Window Frames, where occurring near corners, shall be a minimum of 4 1/2" from corner. Except for walk-in closets with doors near a corner, doors at closets shall be centered on closet.
7. Windows: Shall have at least (1) window in each sleeping room, that meets egress. Shall be provided with tempered glass at hazardous glazing areas. False windows shall be installed with obscure glazing.
8. Closets for clothing or coat storage shall be equipped with 1 rod/shelf. Closets for linen shall have 4 open equal shelves. Closets for pantries shall have 4 equal wood shelves, painted.
9. Stair treads shall be a min of 9" deep, risers shall be a maximum of 8 1/4", unless noted otherwise, per the current North Carolina Residential Code
10. Handrails and Guards of stairs shall be 34" above the finished surface of the ramp surface of the stair. Handrails at landings and overlooks of multilevel spaces shall be 36" above finished floor. Guards (pickets or balusters) shall be spaced with no more than 4" between guards.
11. Attic Access shall be provided at all attic area with a height greater than 30". Minimum clear attic access shall be 20" x 30". Pull down stairs and access doors in knee walls meeting minimum criteria are also acceptable.
12. Garage Door to Living Space shall be 2'-8" x 6'-8" minimum size and shall be 20 minute fire rated and weather sealed.
13. Garage Walls, as a minimum, shall be separated from living space by installing 1/2" gypsum board on the garage side of the wall. With habitable space above, the inside of all garage walls require 1/2" GWB supporting 5/8" type X GWB on ceiling.



OPT. SHOWER W/ 18" SEAT
 SCALE: 1/8"=1'-0" ON 11x17, 1/4"=1'-0" ON 22x34

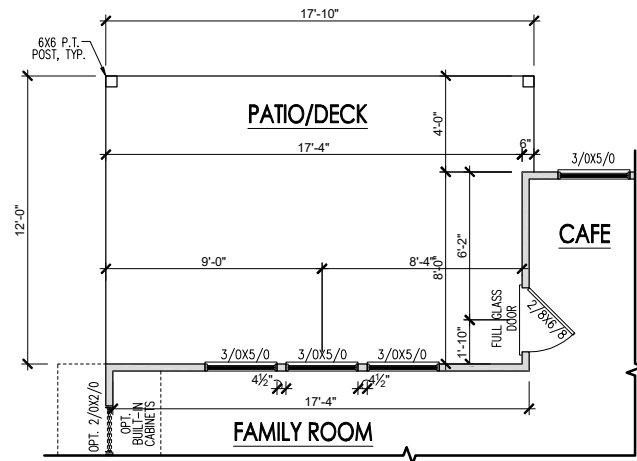


| REV. # | DESCRIPTION | DATE |
|--------|----------------------|------------|
| 1 | REFER TO COVER SHEET | 11/22/2021 |
| 2 | REFER TO COVER SHEET | 12/08/2021 |
| 3 | REFER TO COVER SHEET | 2/12/2022 |
| 4 | REFER TO COVER SHEET | 3/30/2022 |
| 5 | --- | --- |
| 6 | --- | --- |
| 7 | --- | --- |
| 8 | --- | --- |

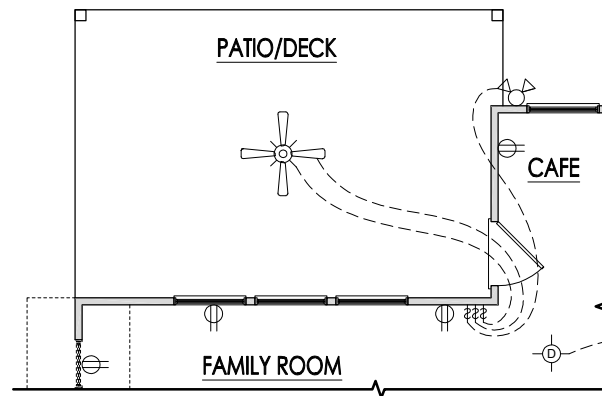
PLAN 4 - THE SELMA RH
SINGLE FAMILY
Second Floor Plan Options

DRAWN BY:
 South Designs
 ISSUE DATE:
 07/01/2021
 CURRENT REVISION DATE:

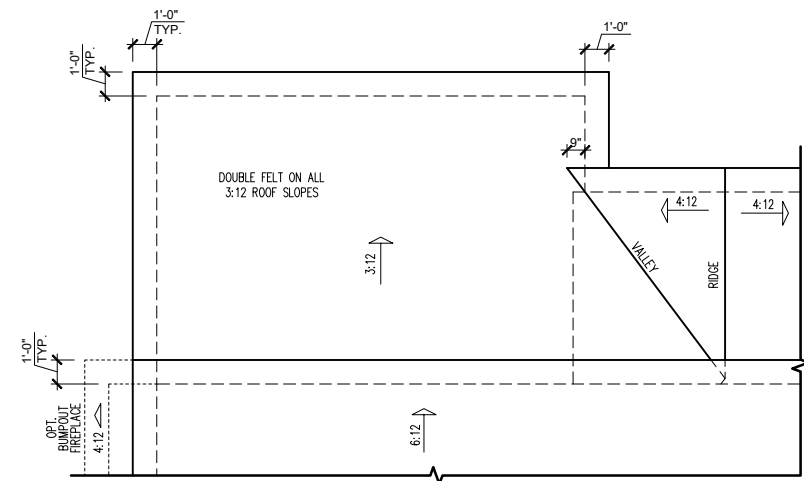
 SCALE:
 1/8" = 1'-0"



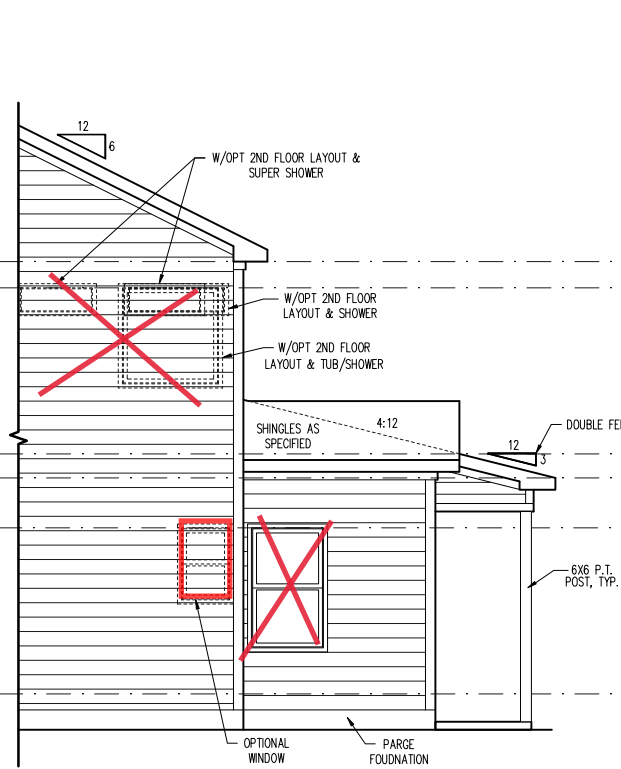
COVERED PORCH FLOOR PLAN
SCALE: 1/8"=1'-0" ON 11x17, 1/4"=1'-0" ON 22x34



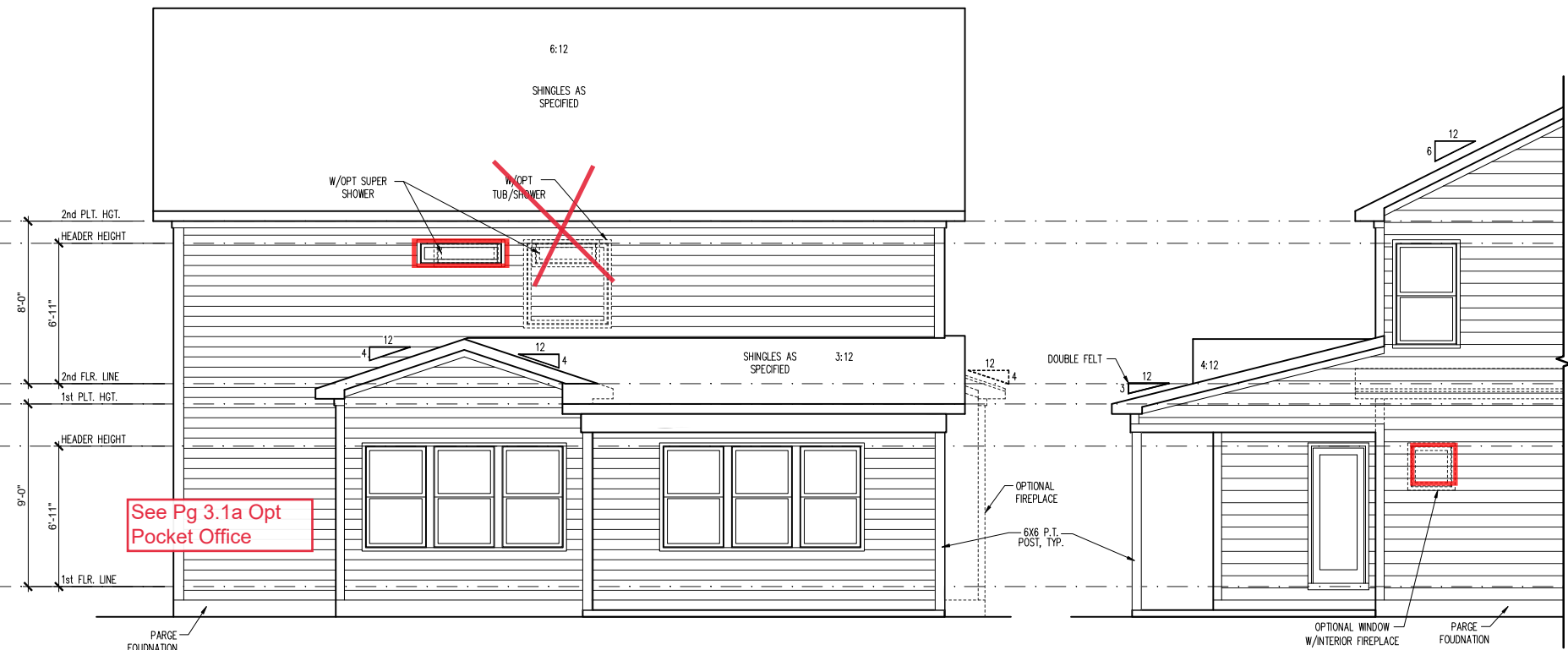
COVERED PORCH ELECTRICAL
SCALE: 1/8"=1'-0" ON 11x17, 1/4"=1'-0" ON 22x34



COVERED PORCH ROOF PLAN
SCALE: 1/8"=1'-0" ON 11x17, 1/4"=1'-0" ON 22x34



PARTIAL RIGHT SIDE ELEVATION (CRAWL/STEM WALL)
SCALE: 1/8"=1'-0" ON 11x17, 1/4"=1'-0" ON 22x34
SEE FOUNDATION PAGES FOR FOUNDATION TYPE



COVERED PORCH REAR ELEVATION (CRAWL/STEM WALL)
SCALE: 1/8"=1'-0" ON 11x17, 1/4"=1'-0" ON 22x34
SEE FOUNDATION PAGES FOR FOUNDATION TYPE

PARTIAL RIGHT SIDE ELEVATION (CRAWL/STEM WALL)
SCALE: 1/8"=1'-0" ON 11x17, 1/4"=1'-0" ON 22x34
SEE FOUNDATION PAGES FOR FOUNDATION TYPE

| REV. # | DESCRIPTION | DATE |
|--------|----------------------|------------|
| 1 | REFER TO COVER SHEET | 11/22/2021 |
| 2 | REFER TO COVER SHEET | 12/08/2021 |
| 3 | REFER TO COVER SHEET | 2/4/2022 |
| 4 | REFER TO COVER SHEET | 3/30/2022 |
| 5 | | |
| 6 | | |
| 7 | | |
| 8 | | |

PLAN 4 - THE SELMA RH
SINGLE FAMILY
Covered Porch Plans & Elev (Crawl or Stem Wall)
Traditional

DRAWN BY:
South Designs
ISSUE DATE:
07/01/2021
CURRENT REVISION DATE:
—
SCALE:
1/8" = 1'-0"

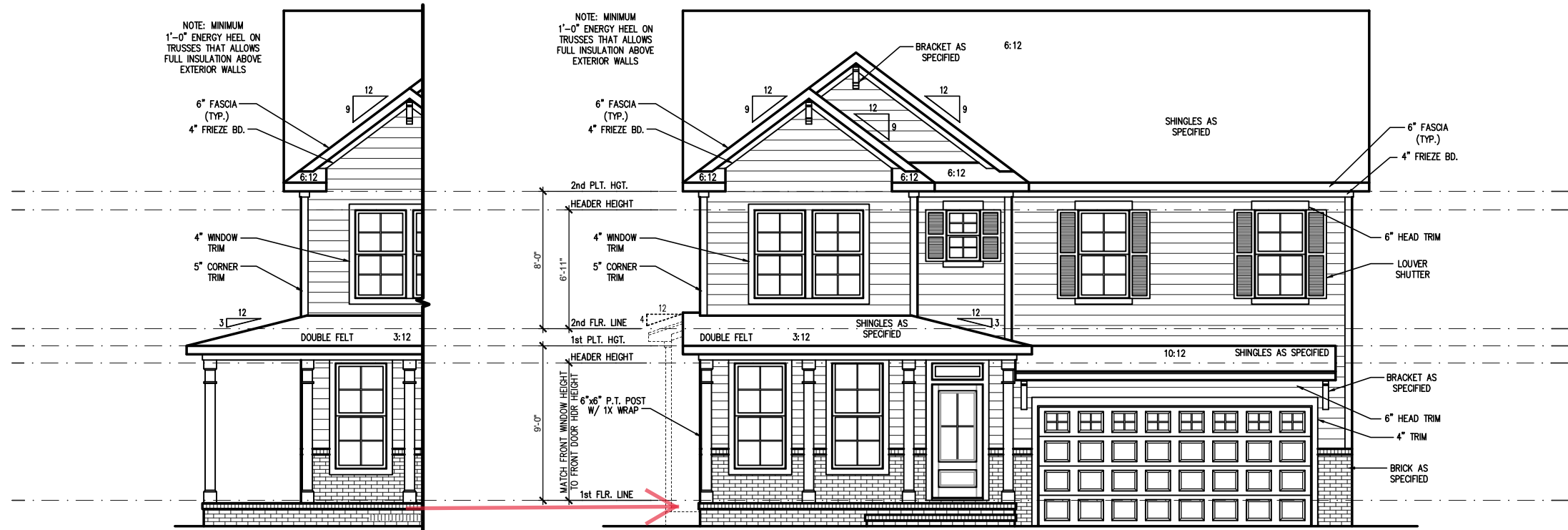
General Elevation Notes

General Elevation Notes shall apply unless noted otherwise on plan.

- Roof shall be finished with architectural composition shingles with slopes as noted on plan.
- Ridge Vent shall be provided and installed on all ridges greater than 6' in length per manufacturer's specifications.
- Soffit Vent shall be continuous soffit vent
- House Wrap, "Tyvek" or approved equal shall be installed over entire exterior wall per manufacturer's specifications and recommendations.
- Flashing shall be provided above all door and window openings, above finish wall material changes and at wall surfaces where lower roof areas abut vertical wall surfaces.
- Porch Railings shall be provided at all porch walking surfaces greater than 30" above adjacent finished grade. It shall be 36" high with guards spaced no more than 4" apart. Consult community specifications for material.
- Finish Wall Material shall be as noted on elevation drawings.
- Brick Veneer, if included on elevation shall be tied to wall surface with galvanized corrugated metal ties at a rate of 24" oc horizontally and 16" oc vertically so that no more than 2.67sf of brick is supported by (1) tie. Space between face of wall and back face of brick shall be limited to a maximum of 1". Flashing shall be provided behind brick above all wall openings and at base of brick wall. Flashing shall be a minimum of 6-mil poly or other corrosion resistant material and shall be installed so that it laps under the house wrap material a minimum of 2". Weepholes shall be provided at a rate of 48" oc and shall not be less than 3/16" in diameter and shall be located immediately above flashing.
- Brick Veneer Support Lintels shall be provided if brick veneer is included on elevation. Lintels shall be provided as listed in the following schedule and shall have a minimum bearing length of 6". Masonry Lintels shall be provided so that deflection is limited to L/600.

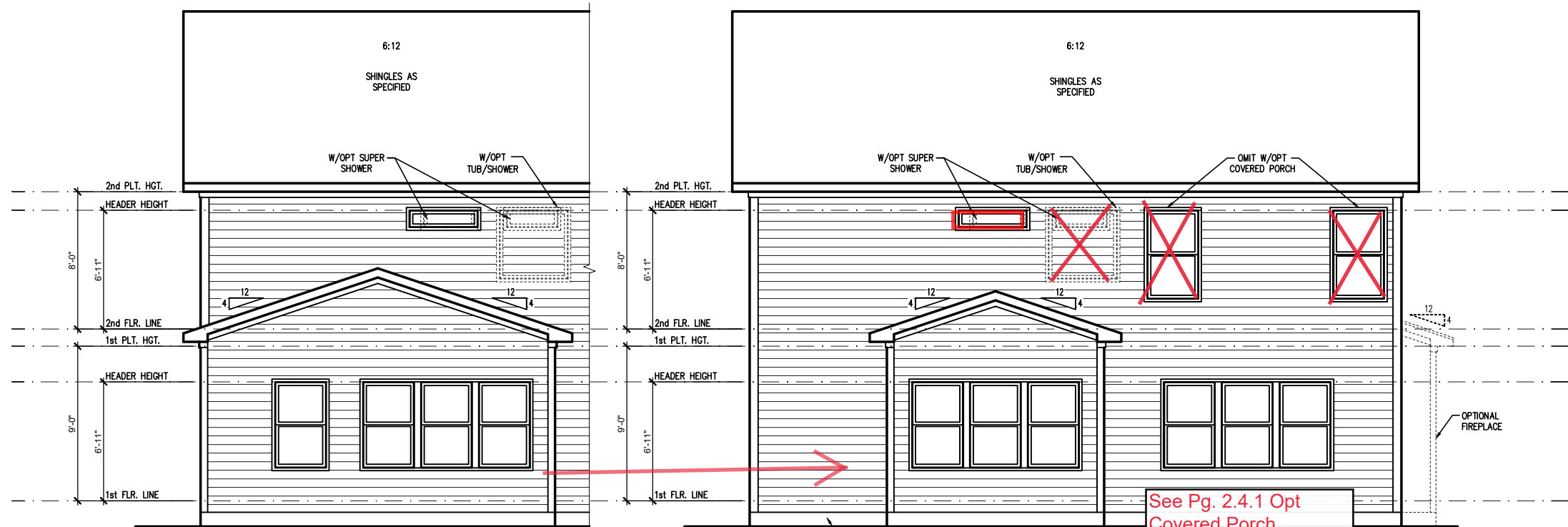
Masonry Opening Lintel Schedule

| Opening Size | Angle |
|-----------------|-------------------------|
| up to 4'-0" | 3-1/2" x 3-1/2" x 5/16" |
| 4'-1" to 5'-6" | 4" x 3-1/2" x 5/16" LLV |
| 5'-7" to 6'-4" | 5" x 3-1/2" x 5/16" LLV |
| 6'-5" to 8'-4" | 6" x 3-1/2" x 5/16" LLV |
| 8'-5" to 16'-4" | 7" x 4" x 3/8" LLV |



OPT. EXT. PORCH 'TRADITIONAL' (CRAWL/STEM WALL)
SCALE: 1/4" = 1'-0" ON 22x34, 1/8" = 1'-0" ON 11x17 SEE FOUNDATION PAGES FOR FOUNDATION TYPE

FRONT ELEVATION 'TRADITIONAL' (CRAWL/STEM WALL)
SCALE: 1/4" = 1'-0" ON 22x34, 1/8" = 1'-0" ON 11x17 SEE FOUNDATION PAGES FOR FOUNDATION TYPE



OPT. POCKET OFFICE

REAR ELEVATION 'TRADITIONAL' (CRAWL/STEM WALL)
SCALE: 1/4" = 1'-0" ON 22x34, 1/8" = 1'-0" ON 11x17 SEE FOUNDATION PAGES FOR FOUNDATION TYPE

See Pg. 2.4.1 Opt Covered Porch

| REV. # | DESCRIPTION | DATE |
|--------|----------------------|------------|
| 1 | REFER TO COVER SHEET | 11/22/2021 |
| 2 | REFER TO COVER SHEET | 12/08/2021 |
| 3 | REFER TO COVER SHEET | 2/14/2022 |
| 4 | REFER TO COVER SHEET | 3/30/2022 |
| 5 | | |
| 6 | | |
| 7 | | |
| 8 | | |

PLAN 4 - THE SELMA RH SINGLE FAMILY Front & Rear Elevations (Crawl or Stem Wall) 'Traditional'

DRAWN BY:
South Designs

ISSUE DATE:
07/01/2021

CURRENT REVISION DATE:

SCALE:
1/8" = 1'-0"

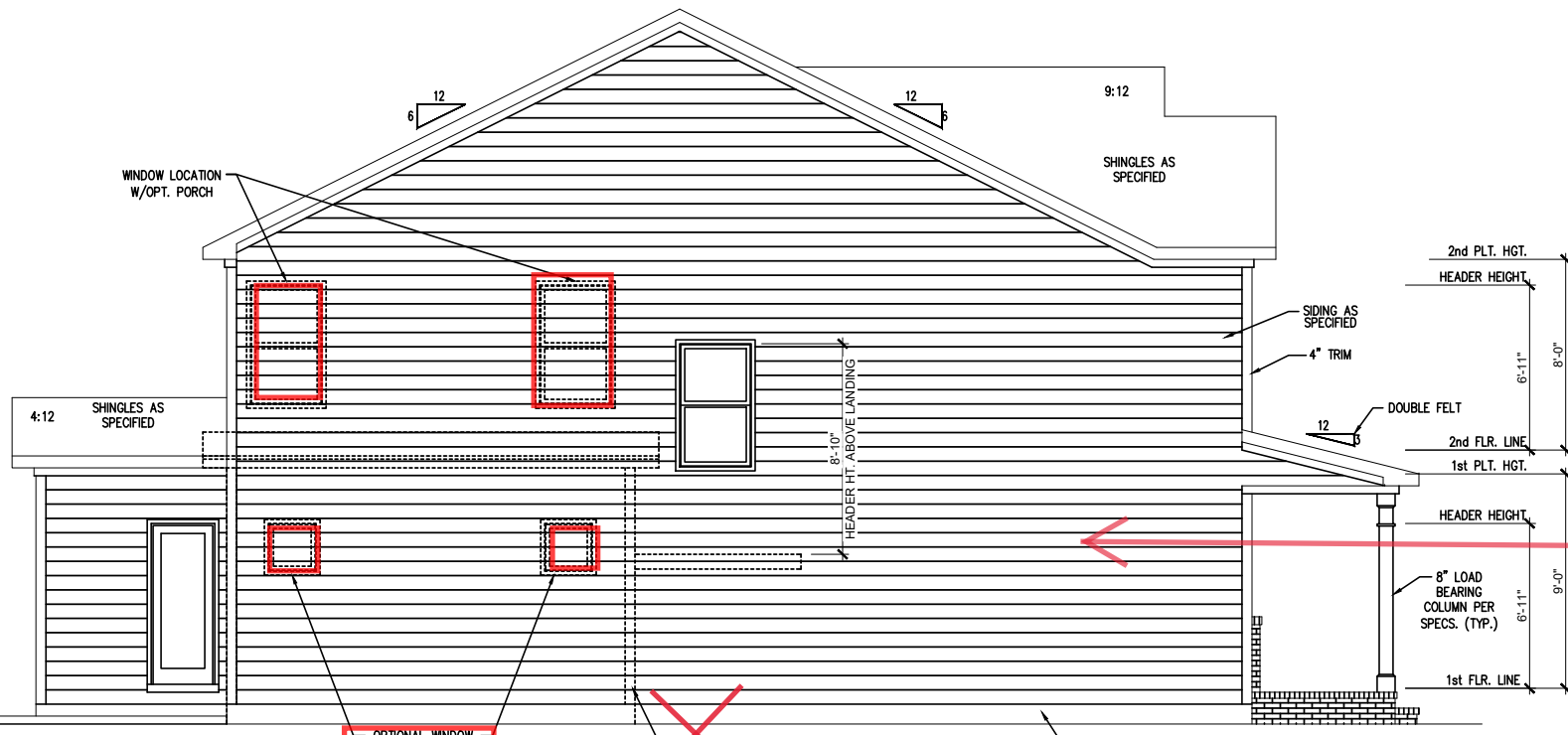
SHEET
3.1.1a

noted otherwise on plan.

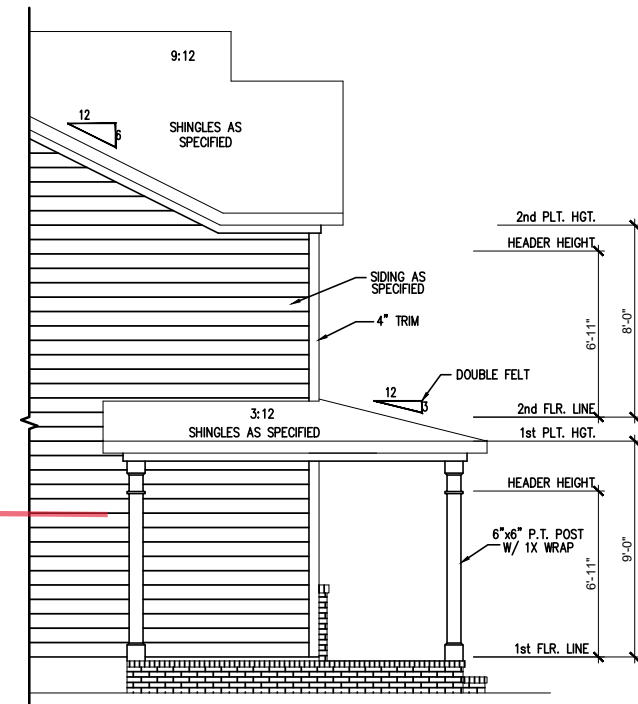
1. Roof shall be finished with architectural composition shingles with slopes as noted on plan.
2. Ridge Vent shall be provided and installed on all ridges greater than 6' in length per manufacturer's specifications.
3. Soffit Vent shall be continuous soffit vent
4. House Wrap, "Tyvek" or approved equal shall be installed over entire exterior wall per manufacturer's specifications and recommendations.
5. Flashing shall be provided above all door and window openings, above finish wall material changes and at wall surfaces where lower roof areas abut vertical wall surfaces.
6. Porch Railings shall be provided at all porch walking surfaces greater than 30" above adjacent finished grade. It shall be 36" high with guards spaced no more than 4" apart. Consult community specifications for material.
7. Finish Wall Material shall be as noted on elevation drawings.
8. Brick Veneer, if included on elevation shall be tied to wall surface with galvanized corrugated metal ties at a rate of 24" oc horizontally and 16" oc vertically so that no more than 2.67sf of brick is supported by (1) tie. Space between face of wall and back face of brick shall be limited to a maximum of 1". Flashing shall be provided behind brick above all wall openings and at base of brick wall. Flashing shall be a minimum of 6-mil poly or other corrosion resistant material and shall be installed so that it laps under the house wrap material a minimum of 2". Weepholes shall be provided at a rate of 48" oc and shall not be less than 3/16" in diameter and shall be located immediately above flashing.
9. Brick Veneer Support Lintels shall be provided if brick veneer is included on elevation. Lintels shall be provided as listed in the following schedule and shall have a minimum bearing length of 6". Masonry Lintels shall be provided so that deflection is limited to 1/600.

Masonry Opening Lintel Schedule

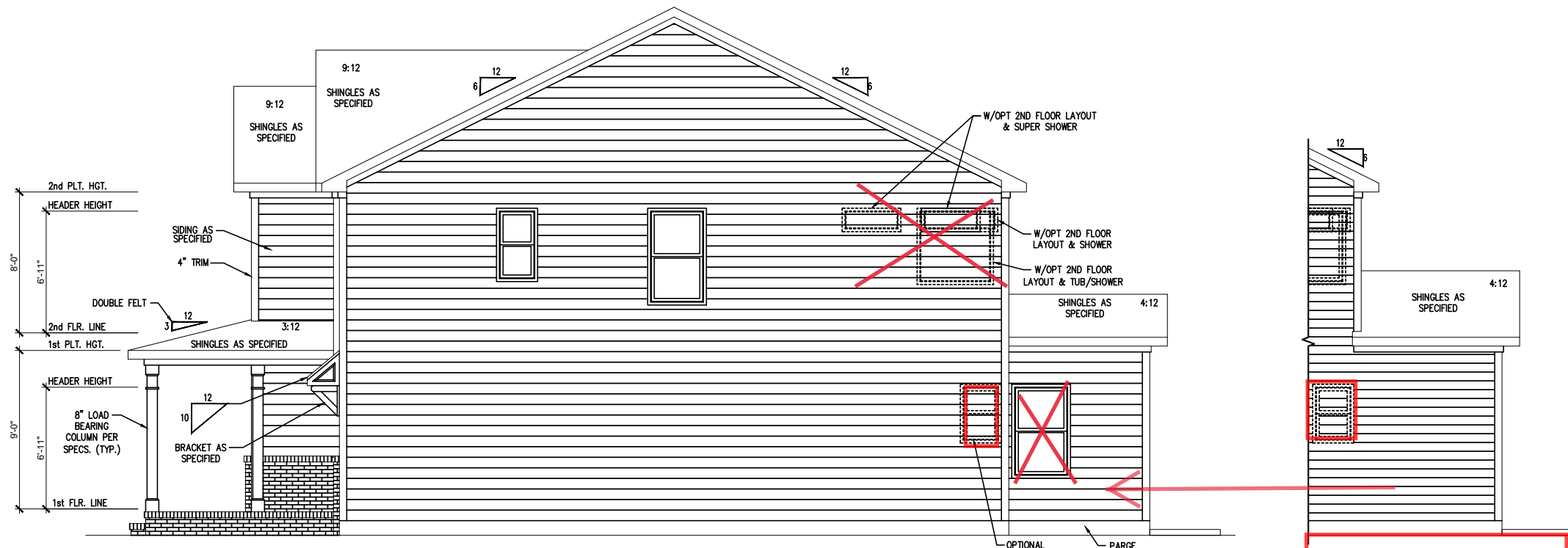
| Opening Size | Angle |
|-----------------|-------------------------|
| up to 4'-0" | 3-1/2" x 3-1/2" x 5/16" |
| 4'-1" to 5'-6" | 4" x 3-1/2" x 5/16" LLV |
| 5'-7" to 6'-6" | 5" x 3-1/2" x 5/16" LLV |
| 6'-7" to 8'-4" | 6" x 3-1/2" x 5/16" LLV |
| 8'-5" to 16'-4" | 7" x 4" x 3/8" LLV |



RIGHT SIDE ELEVATION 'TRADITIONAL' (CRAWL/STEM WALL)
SCALE: 1/4" = 1'-0" ON 22x34, 1/8" = 1'-0" ON 11x17
SEE FOUNDATION PAGES FOR FOUNDATION TYPE



OPT. EXT. PORCH 'TRADITIONAL' (CRAWL/STEM WALL)
SCALE: 1/4" = 1'-0" ON 22x34, 1/8" = 1'-0" ON 11x17
SEE FOUNDATION PAGES FOR FOUNDATION TYPE



LEFT SIDE ELEVATION 'TRADITIONAL' (CRAWL/STEM WALL)
SCALE: 1/4" = 1'-0" ON 22x34, 1/8" = 1'-0" ON 11x17
SEE FOUNDATION PAGES FOR FOUNDATION TYPE

OPT. POCKET OFFICE

| REV.# | DATE | DESCRIPTION |
|-------|------|-------------|
| 1 | | |
| 2 | | |
| 3 | | |
| 4 | | |
| 5 | | |
| 6 | | |
| 7 | | |
| 8 | | |

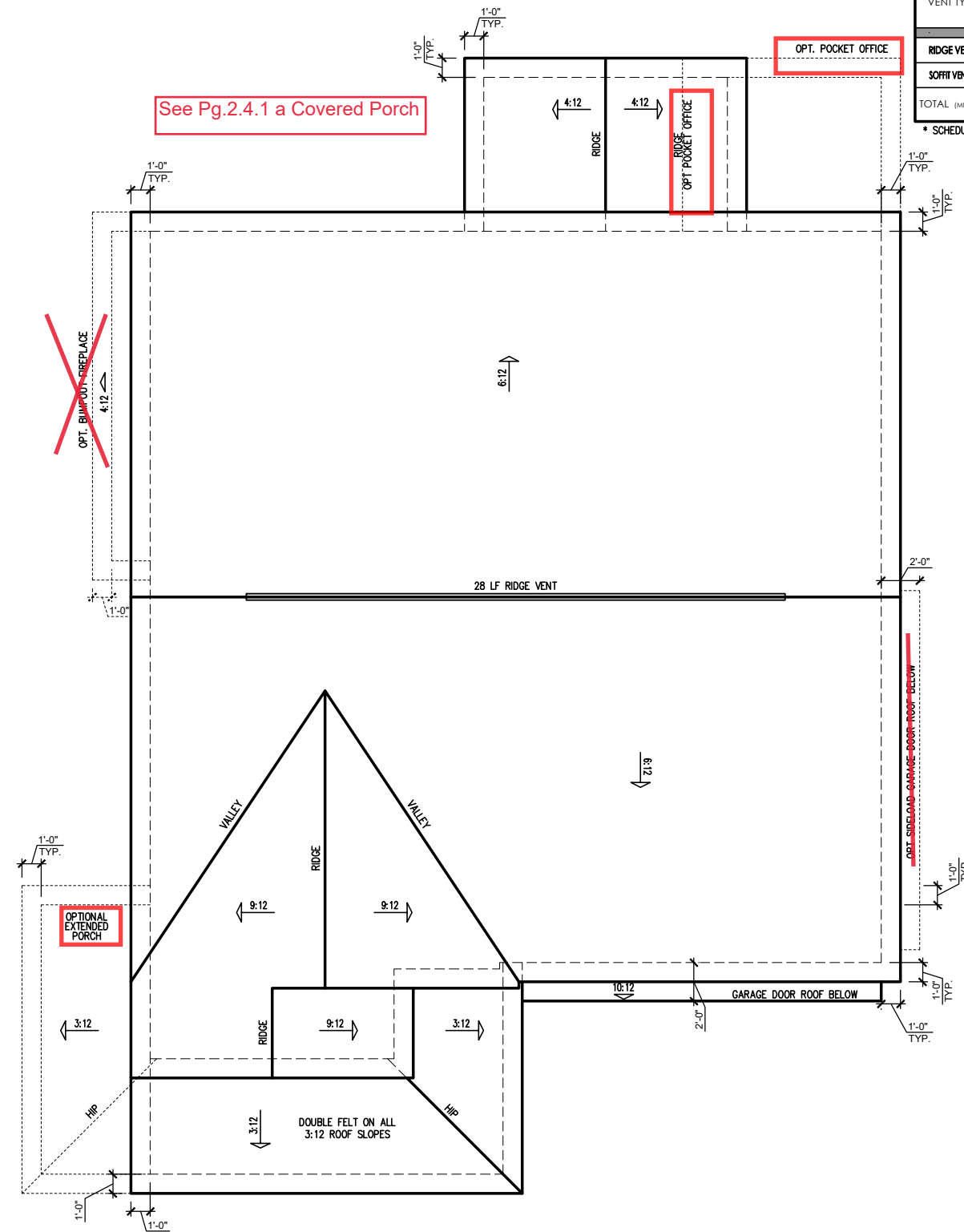
PLAN 4 - THE SELMA - RH
Side Elevations (Crawl) 'Traditional'

DRAWN BY:
South Designs
ISSUE DATE:
7/1/2021
CURRENT REVISION DATE:

SCALE:
1/8" = 1'-0"
SHEET
3.2.1a

| ATTIC VENT SCHEDULE | | | | | | | | |
|-------------------------|------------------------|------------------|---------------------------|--|--------------------------|------------------------------|--------------------------|------------------------------|
| 'TRADITIONAL' ELEVATION | | | | | | | | |
| MAIN HOUSE | | SQ FTG | 1509 | AT / NEAR RIDGE | | | AT / NEAR EAVE | |
| VENT TYPE | SQ. FT. REQUIRED RANGE | SQ. FT. SUPPLIED | PERCENT OF TOTAL SUPPLIED | POT LARGE (SQ. FT. EACH) | POT SMALL (SQ. FT. EACH) | RIDGE VENT (SQ. FT. PER FT.) | EAVE VENT (SQ. IN. EACH) | CONT. VENT (SQ. IN. PER FT.) |
| RIDGE VENT | 2.01 2.52 | 3.50 | 48.28 | 0 | 0 | 28.00 | | |
| SOFFIT VENTS | 3.02 2.52 | 3.75 | 51.72 | | | | 0 | 60.00 |
| TOTAL (MIN) | 5.03 5.03 | 7.25 | 100.00 | POT VENTS MAY BE REQUIRED IF THERE IS INSUFFICIENT RIDGE AVAILABLE | | | | |

* SCHEDULE HAS BEEN CALCULATED ASSUMING EAVE VENTILATION AT 50-60% OF TOTAL AND RIDGE AT 40-50% OF TOTAL REQUIRED VENTILATION



See Pg.2.4.1 a Covered Porch

OPT. POCKET OFFICE

~~OPT. BUMP OUT REPLACE~~

OPTIONAL EXTENDED PORCH

'TRADITIONAL' ELEVATION ROOF PLAN
SCALE: 1/4" = 1'-0" ON 22x34, 1/8" = 1'-0" ON 11x17

| REV. # | DESCRIPTION | DATE |
|--------|----------------------|------------|
| 1 | REFER TO COVER SHEET | 11/22/2021 |
| 2 | REFER TO COVER SHEET | 12/08/2021 |
| 3 | REFER TO COVER SHEET | 2/11/2022 |
| 4 | REFER TO COVER SHEET | 3/30/2022 |
| 5 | | |
| 6 | | |
| 7 | | |
| 8 | | |

PLAN 4 - THE SELMA RH
SINGLE FAMILY
Roof Plan 'Traditional'

DRAWN BY:
South Designs
ISSUE DATE:
07/01/2021
CURRENT REVISION DATE:
—
SCALE:
1/8" = 1'-0"
SHEET
3.3a

WOOD I-JOISTS

(SHALL BE ONE OF THE FOLLOWING):

- TJI 210 BY TRUS JOIST
- LPI 20 PLUS BY LP
- BCI 5000s LB BY BC
- ALL WOOD I-JOISTS SHALL BE INSTALLED ACCORDING TO MANUFACTURER'S SPECIFICATIONS.
- INSTALL SQUASH BLOCKS, WEB STIFFENERS, ETC. AS REQUIRED BY AND ACCORDING TO THE I-JOIST MANUFACTURER'S SPECIFICATIONS AND INSTRUCTIONS.
- HANGERS FOR I-JOISTS ARE THE RESPONSIBILITY OF THE I-JOIST SUPPLIER.
- FLOOR TRUSSES BY THE MANUFACTURER MAY BE SUBSTITUTED FOR I-JOISTS.

TRUSS SYSTEM REQUIREMENTS

NC (2018 NCRS): Wind: 115-120 mph

1. TRUSS SYSTEM LAYOUTS (PLACEMENT PLANS) SHALL BE DESIGNED IN ACCORDANCE WITH SEALED STRUCTURAL PLANS. ANY NEED TO CHANGE TRUSSES SHALL BE COORDINATED WITH SOUTHERN ENGINEERS.
2. TRUSS SCHEMATICS (PROFILES) SHALL BE PREPARED AND SEALED BY TRUSS MANUFACTURER.
3. ALL TRUSSES SHALL BE DESIGNED FOR BEARING ON SFF #2 OR #3 PLATES OR LEDGERS (UNO).
4. ALL REQUIRED ANCHORS FOR TRUSSES DUE TO UPLIFT OR BEARING SHALL MEET THE REQUIREMENTS AS SPECIFIED ON THE TRUSS SCHEMATICS.

FOUNDATION STRUCTURAL NOTES

NC (2018 NCRS): Wind: 115-120 mph - CRAWL

- ① (3)2x10 SYP#2 OR SFF#2 GIRDER, TYPICAL UNO.
- ② CONCRETE BLOCK PIER SIZE SHALL BE:

| SIZE | HOLLOW | SOLID |
|----------|-----------|--------------|
| •• 8x16 | UP TO 32" | UP TO 5'-0" |
| •• 12x16 | UP TO 48" | UP TO 9'-0" |
| •• 16x16 | UP TO 64" | UP TO 12'-0" |
| •• 24x24 | UP TO 96" | |

 - WITH 30" x 30" x 10" CONCRETE FOOTING, UNO.
- ③ WALL FOOTING AS FOLLOWS
 - DEPTH: 8" - UP TO 2 STORY
 - DEPTH: 10" - 3 STORY
 - WIDTH: 16" - UP TO 2 STORY
 - WIDTH: 20" - 3 STORY
 - BRICK: 16" - 1 STORY
 - BRICK: 20" - 2 STORY
 - BRICK: 24" - 3 STORY

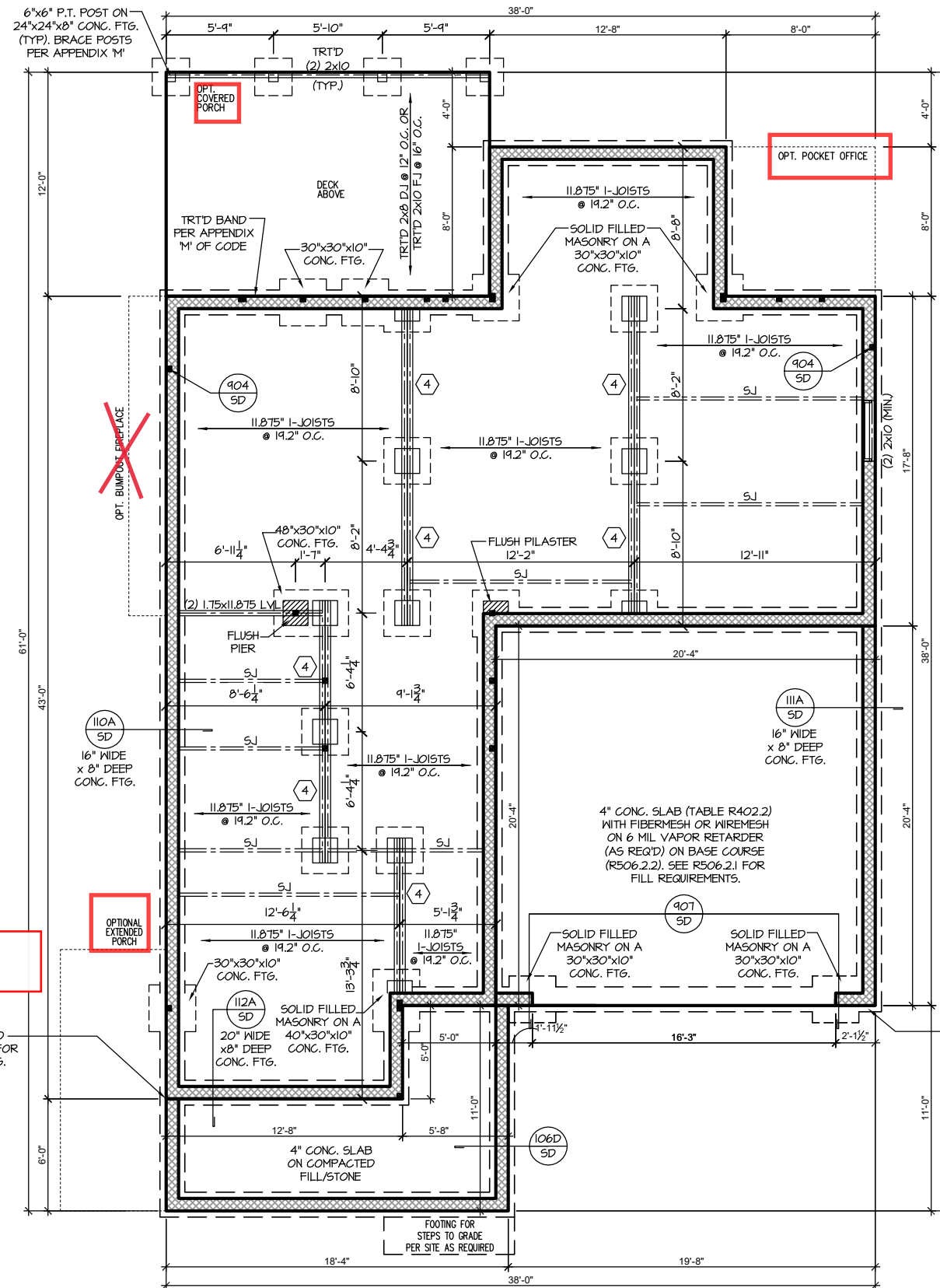
• FOR FOUNDATION WALL HEIGHT AND BACKFILL REQUIREMENTS, REFER TO CODE TABLE R404.1.1 (1 THRU 4) NOTE. ASSUMED SOIL BEARING CAPACITY = 2000 PSF. CONTRACTOR MUST VERIFY SITE CONDITIONS AND CONTACT SOILS ENGINEER IF MARGINAL OR UNSTABLE SOILS ARE ENCOUNTERED.

- ④ (4) 2x10 SFF #2 OR SYP #2 GIRDER
- ⑤ (2) 1.75x9.25 LVL OR LSL GIRDER
- ⑥ (3) 1.75x9.25 LVL OR LSL GIRDER

7. ■■ DESIGNATES A SIGNIFICANT POINT LOAD TO HAVE SOLID BLOCKING TO PIER. SOLID BLOCK ALL BEAM BEARING POINTS NOTED TO HAVE THREE OR MORE STUDS TO FND, TYPICAL.

8. ABBREVIATIONS:
- "S.J." = SINGLE JOIST
 - "D.J." = DOUBLE JOIST
 - "T.J." = TRIPLE JOIST

9. ADJUST SUBFLOOR THICKNESS OR JOIST SPACING AS REQ'D FOR FLOOR FINISH MATERIALS.

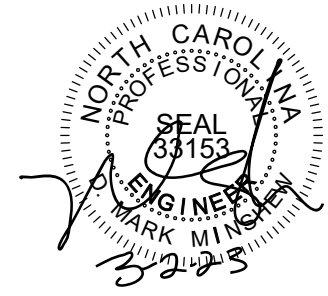


See Pg.S-1.2.1 Extended Porch

DIMENSIONS ARE TO FRAMING. ADJUST 5\"/>

CRAWL SPACE FOUNDATION 'TRADITIONAL'
 SCALE: 1/8"=1'-0" ON 11x17, 1/4"=1'-0" ON 22x34

See Pg.S-1.2.1 Pocket Office



PROJECT #
21-2817-RH

Engineers seal applies only to structural components on this document. Seal does not include construction means, methods, techniques, sequences, procedures or safety precautions. Any deviations or discrepancies on plans are to be brought to the immediate attention of Southern Engineers. Failure to do so will void Southern Engineer's liability. Seal is valid for projects permitted one year from date of seal. Use of these plans constitutes approval of terms & conditions as defined in the customer agreement.

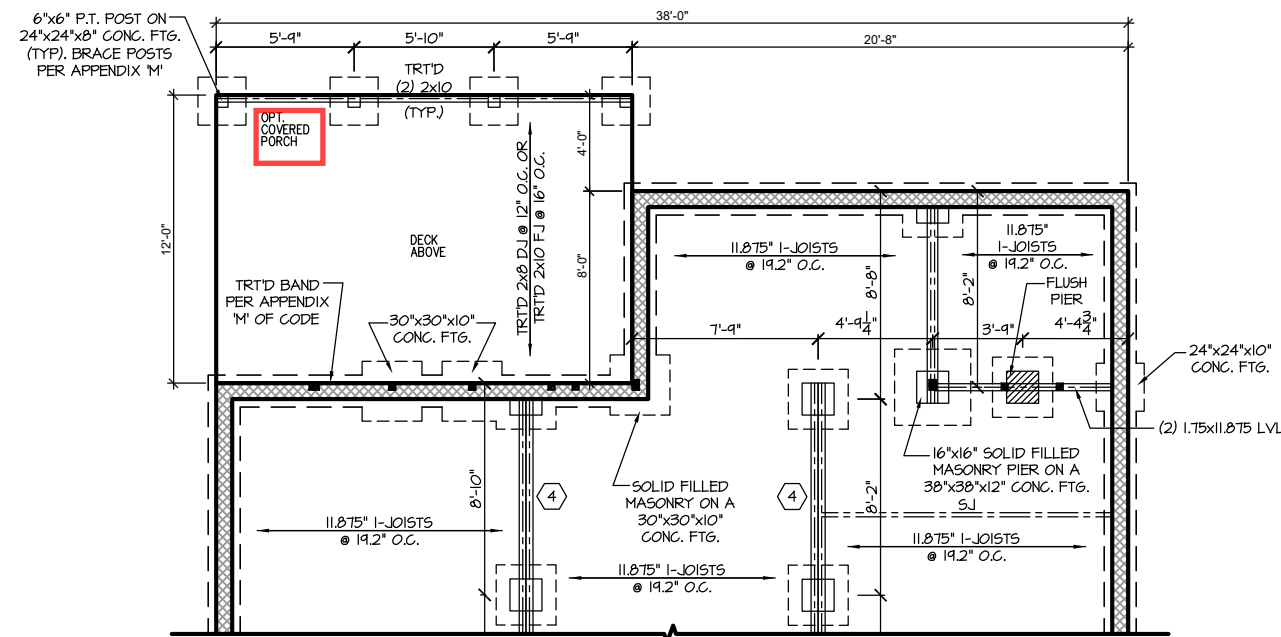
Southern Engineers, P.A.
 3716 Benson Drive, Raleigh, NC 27609
 Phone: (919) 878-1617
 License: C-4772
 www.southernengineers.com

SOUTH DESIGNS

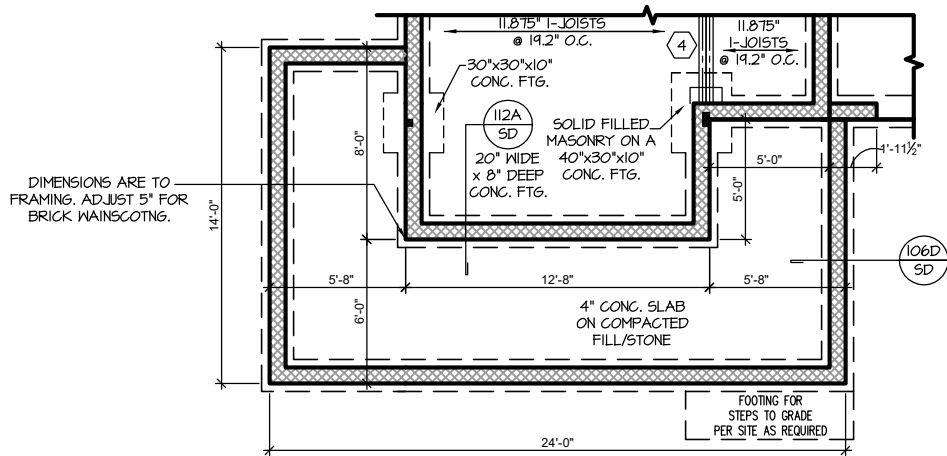
Plan 04 - The Selma - RH
 NEW HOME, INC.

S-1.2

REFER TO "SD" SHEET(S) FOR STANDARD DETAILS, BRACING DETAILS AND STRUCTURAL NOTES.



CRAWL FND. W/ OPT. POCKET OFFICE
 SCALE: 1/8"=1'-0" ON 11x17, 1/4"=1'-0" ON 22x34



CRAWL FND. W/ OPT. EXTENDED PORCH
 SCALE: 1/8"=1'-0" ON 11x17, 1/4"=1'-0" ON 22x34



PROJECT #
 21-2817-RH

Engineers seal applies only to structural components on this document.
 Seal does not include construction means, methods, techniques, sequences, procedures or safety precautions.
 Any deviations or discrepancies on plans are to be brought to the immediate attention of Southern Engineers. Failure to do so will void Southern Engineer's liability.
 Seal is valid for projects permitted one year from date of seal.
 Use of these plans constitutes approval of terms & conditions as defined in the customer agreement.

Southern Engineers, P.A.
 3716 Benson Drive, Raleigh, NC 27609
 Phone: (919) 878-1617
 License: C-4772
 www.southernengineers.com

SOUTH DESIGNS

Plan 04 - The Selma - RH
 NEW HOME, INC.

S-1.2.1

REFER TO "SD" SHEET(S) FOR STANDARD DETAILS, BRACING DETAILS AND STRUCTURAL NOTES.

TRUSS SYSTEM REQUIREMENTS

NC (2018 NGR): Wind: 115-120 mph

1. TRUSS SYSTEM LAYOUTS (PLACEMENT PLANS) SHALL BE DESIGNED IN ACCORDANCE WITH SEALED STRUCTURAL PLANS. ANY NEED TO CHANGE TRUSSES SHALL BE COORDINATED WITH SOUTHERN ENGINEERS.
2. TRUSS SCHEMATICS (PROFILES) SHALL BE PREPARED AND SEALED BY TRUSS MANUFACTURER.
3. ALL TRUSSES SHALL BE DESIGNED FOR BEARING ON SFF #2 OR #3 PLATES OR LEDGERS (INO).
4. ALL REQUIRED ANCHORS FOR TRUSSES DUE TO UPLIFT OR BEARING SHALL MEET THE REQUIREMENTS AS SPECIFIED ON THE TRUSS SCHEMATICS.

HEADER/BEAM & COLUMN NOTES

1. ALL EXTERIOR AND LOAD BEARING HEADERS SHALL BE MIN. (2)2x6 (4" WALL) OR (3)2x6 (6" WALL) WITH (1) SUPPORT STUD, UNLESS NOTED OTHERWISE.
2. THE NUMBER SHOWN AT BEAM AND HEADER SUPPORTS INDICATES THE NUMBER OF SUPPORT STUDS REQUIRED IN STUD POCKET OR COLUMN. THE NUMBER OF KING STUDS AT EACH END OF HEADERS IN EXTERIOR WALLS SHALL BE ACCORDING TO ITEM "d" IN TABLE R602.3(5) OR AS BELOW PER NCDI COMMENTARY "KING STUDS AT WALL OPENINGS" REVISED 1-4-2020:
 - UP TO 3' SPAN: (1) KING STUD
 - OVER 3' UP TO 6' SPAN: (2) KING STUDS
 - OVER 6' UP TO 9' SPAN: (3) KING STUDS
 - OVER 9' UP TO 12' SPAN: (4) KING STUDS
 - OVER 12' UP TO 15' SPAN: (5) KING STUDS

FRAMING NOTES

NC (2018 NGR): Wind: 115-120 mph

1. BRACING METHOD AND TYPE: CONTINUOUSLY SHEATHED WSP: C5-WSP. NOTE THAT THE WALL BRACING AMOUNT PROVIDED ON THE PLANS (DETAILS AND SPECIFICATIONS) IS GREATER THAN THE AMOUNT OF WALL BRACING REQUIRED BY SECTION R602.10 OF THE CODE. SEE NOTES BELOW FOR DETAILS AND SPECIFICATIONS FOR WALL BRACING AND WALL FRAMING.
2. EXTERIOR WALL SHEATHING: WALLS SHALL BE BRACED BY SHEATHING WALLS ON ALL STORIES WITH WOOD STRUCTURAL PANEL SHEATHING (WSP) (EXPOSURE B: 7/16", EXPOSURE C: 15/32"). SHEATHING SHALL BE ATTACHED WITH 8d NAILS AT A 6"12" NAILING PATTERN (6" OC AT PANEL EDGES AND 12" OC AT INTERMEDIATE SUPPORTS). INSTALL BLOCKING AT ALL PANEL EDGES.
3. WSP SHEATHING SHALL EXTEND TO THE UPPERMOST DOUBLE BEARING PLATE. BLOCK AT ROOF PER SECTION R602.10.4.5 AND ATTACH BRACED WALLS PER CODE. WSP SHEATHING BETWEEN FLOORS SHALL BE SPLICED ALONG CONTINUOUS BAND OR THE WSP SHEATHING MAY BE SPLICED ACROSS STUDS (CONTINUOUS ACROSS FLOOR SYSTEM) WITH BLOCKING AT PANEL EDGES. (MINIMUM 12" BEYOND FLOOR BREAK) OR OTHER APPROVED METHOD.
4. "HD" = HOLD-DOWN: HOLD-DOWN DEVICE (NOTED AS "HD" ON PLANS) SHALL BE AN 800 POUND CAPACITY ASSEMBLY AS NOTED ON PLANS. SEE DETAILS FOR HD ASSEMBLY.
 - **GROUND/FIRST FLOOR: USE "HD HOLD-DOWN DETAIL" ON SD SHEET (OR EQUIV.)
 - **UPPER FLOORS: ATTACH BASE OF KING STUD WITH A SIMPSON C522 STRAP DOWN ACROSS THE BAND AND DOWN TO A STUD BELOW OR HEADER BELOW. EXTEND STRAP 7" MIN ALONG EACH STUD (OR HEADER) AND ATTACH EACH END W/ (1) 8d NAILS.
5. INTERIOR BRACED WALL: (NOTED AS "IBW" ON PLANS) ATTACH 1/2" GYPSUM BOARD (GB) ON EACH SIDE OF WALL WITH A MIN. OF 5d COOLER NAILS OR #6 SCREWS @ 1" O.C. ALONG THE EDGES AND AT INTERMEDIATE SUPPORTS.
6. INTERIOR BRACED WALL-WOOD STRUCTURAL PANEL: (NOTED AS "IBW-WSP" ON PLANS). ATTACH ONE SIDE WITH 3/8" WSP SHEATHING WITH 8d NAILS AT A 6"12" NAILING PATTERN (6" OC AT PANEL EDGES AND 12" OC AT INTERMEDIATE SUPPORTS). INSTALL BLOCKING AT ALL PANEL EDGES. ATTACH GB OVER WSP AS REQUIRED. ATTACH OPPOSITE SIDE WITH 1/2" GB WITH A MIN. OF 5d COOLER NAILS OR #6 SCREWS @ 1" O.C. ALONG THE EDGES AND AT INTERMEDIATE SUPPORTS.

WOOD I-JOISTS

(SHALL BE ONE OF THE FOLLOWING):

- TJI 210 BY TRUS JOIST
- LPI 20 PLUS BY LP
- BCI 5000s 1.8 BY BC

HEAVY I- JOISTS

(SHALL BE ONE OF THE FOLLOWING OR EQUAL):

- TJI 360 BY TRUS JOIST
- LPI 42 PLUS BY LP
- BCI 60s 2.0 BY BC

• ALL WOOD I-JOISTS SHALL BE INSTALLED ACCORDING TO MANUFACTURER'S SPECIFICATIONS.

• INSTALL SQUASH BLOCKS, WEB STIFFENERS, ETC. AS REQUIRED BY AND ACCORDING TO THE I-JOIST MANUFACTURER'S SPECIFICATIONS AND INSTRUCTIONS.

• HANGERS FOR I-JOISTS ARE THE RESPONSIBILITY OF THE I-JOIST SUPPLIER.

• FLOOR TRUSSES BY THE MANUFACTURER MAY BE SUBSTITUTED FOR I-JOISTS.

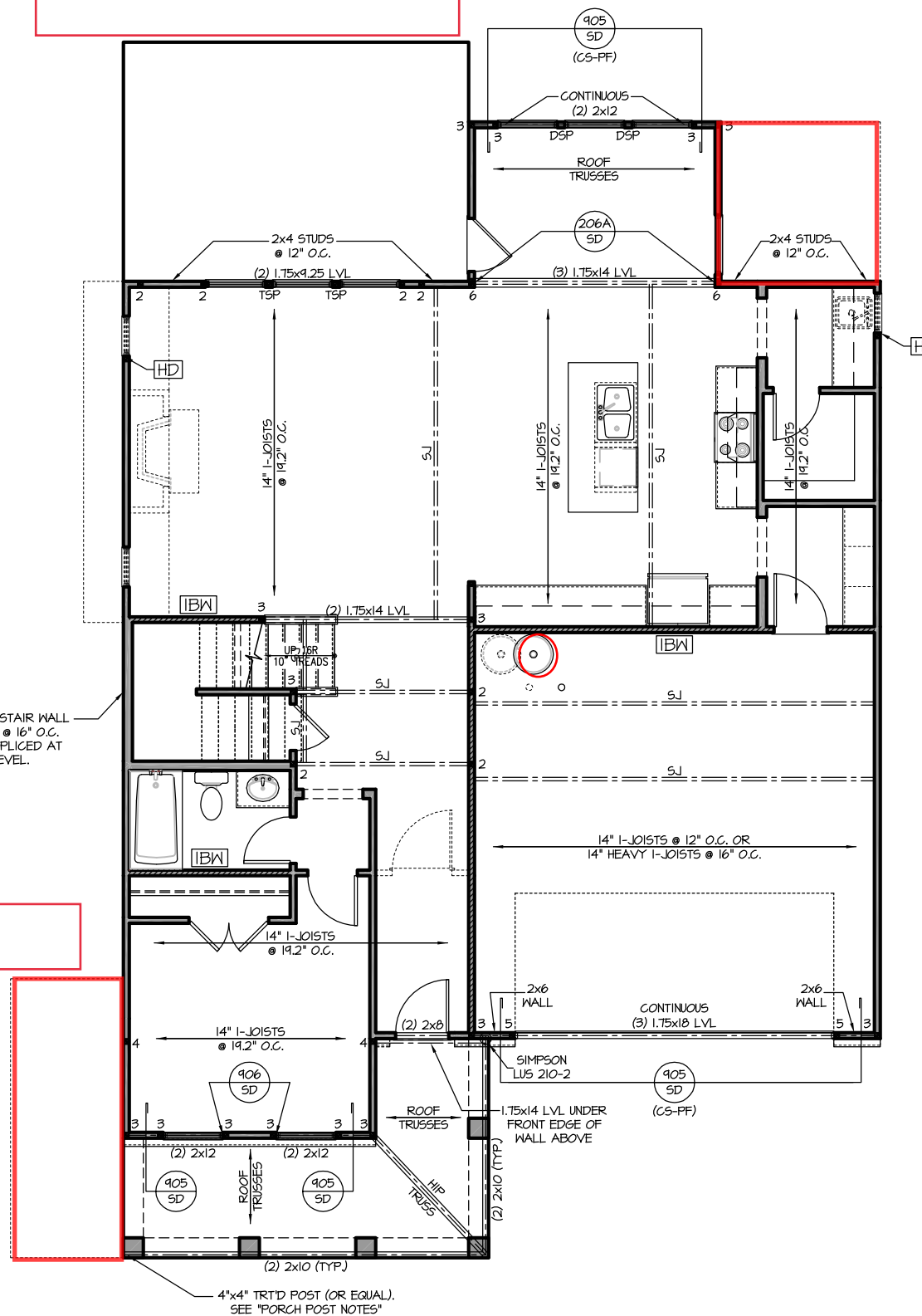
PORCH POST NOTES:

- 4"x4" (6"x6") TRTD POST (OR EQUAL).
 - ATTACH TRUSSES (RAFTERS) AT PORCH WITH HURRICANE CONNECTORS.
1. POST CAP: SIMPSON AC4-MAX (AC6-MAX)
 2. POST CAP AT CORNER: (2) SIMPSON LCE4 (MITER HEADER AT CORNER). HIGH WIND; ADD (1) SIMPSON H6.
 3. POST BASE: SIMPSON ABU44 (ABU66).
 - 3.1. MONO: 3/8" ANCHOR (EMBED 7")
 - 3.2. CMU: 3/8" ANCHOR (EXTEND TO FOOTING - HIGH WIND ONLY)
 4. POST BASE: WOOD FOUNDATION: (2) SIMPSON CS16 STRAPS AT POSTS. EXTEND 12" ONTO EACH POST (UPPER AND LOWER) OR TO GIRDER.
- NOTE: EQUIVALENT POST CAP AND BASE ACCEPTABLE.

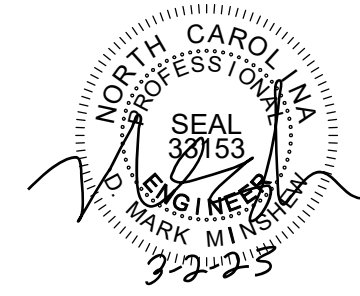
See Pg. S-2.4 Covered Porch Plan

BALLOON FRAME STAIR WALL WITH 2x6 STUDS @ 16" O.C. STUDS MAY BE SPLICED AT LANDING LEVEL.

See Pg. S-2.1.1 Opt. Extended Porch



FIRST FLOOR PLAN 'TRADITIONAL'
SCALE: 1/8"=1'-0" ON 11x17, 1/4"=1'-0" ON 22x34



PROJECT #
21-2817-RH

Engineers seal applies only to structural components on this document. Seal does not include construction means, methods, techniques, sequences, procedures or safety precautions. Any deviations or discrepancies on plans are to be brought to the immediate attention of Southern Engineers. Failure to do so will void Southern Engineer's liability. Seal is valid for projects permitted one year from date of seal. Use of these plans constitutes approval of terms & conditions as defined in the customer agreement.

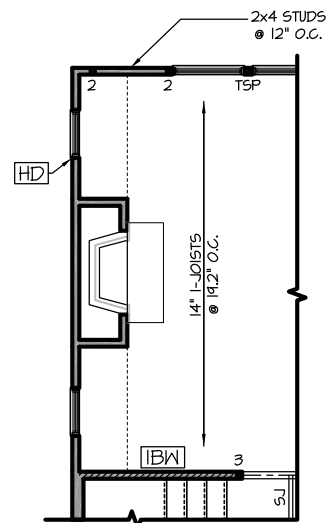
Southern Engineers, P.A.
3716 Benson Drive, Raleigh, NC 27609
Phone: (919) 878-1617
License: C-4772
www.southernengineers.com

SOUTH DESIGNS

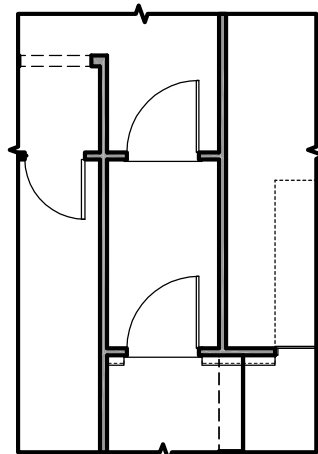
Plan 04 - The Selma - RH
NEW HOME, INC.

S-2.1

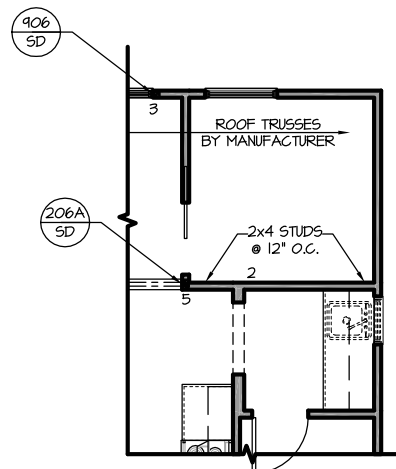
REFER TO "SD" SHEET(S) FOR STANDARD DETAILS, BRACING DETAILS AND STRUCTURAL NOTES.



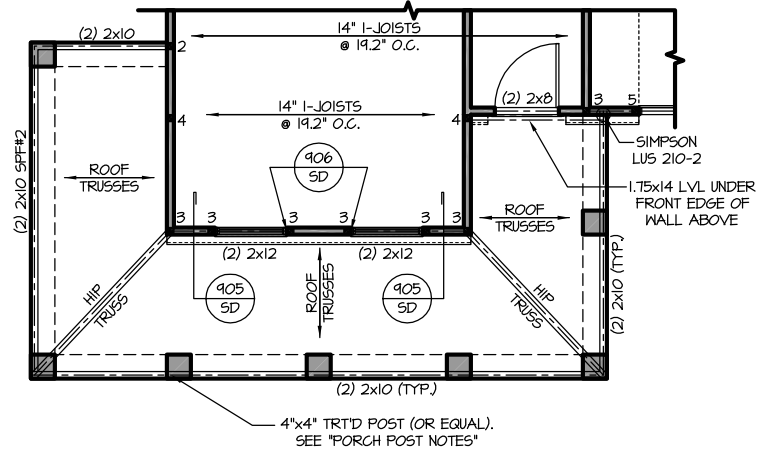
OPT. INTERIOR FIREPLACE
 SCALE: 1/8"=1'-0" ON 11x17, 1/4"=1'-0" ON 22x34



NO STRUCTURAL CHANGE WITH THIS OPTION
OPT. SMART DOOR
 SCALE: 1/8"=1'-0" ON 11x17, 1/4"=1'-0" ON 22x34



OPT. POCKET OFFICE
 SCALE: 1/8"=1'-0" ON 11x17, 1/4"=1'-0" ON 22x34



OPT. EXTENDED PORCH
 SCALE: 1/8"=1'-0" ON 11x17, 1/4"=1'-0" ON 22x34



PROJECT #
 21-2817-RH

Engineers seal applies only to structural components on this document.
 Seal does not include construction means, methods, techniques, sequences, procedures or safety precautions.
 Any deviations or discrepancies on plans are to be brought to the immediate attention of Southern Engineers. Failure to do so will void Southern Engineer's liability.
 Seal is valid for projects permitted one year from date of seal.
 Use of these plans constitutes approval of terms & conditions as defined in the customer agreement.

Southern Engineers, P.A.
 3716 Benson Drive, Raleigh, NC 27609
 Phone: (919) 878-1617
 License: C-4772
 www.southernengineers.com

SOUTH DESIGNS

Plan 04 - The Selma - RH
 NEW HOME, INC.

S-2.1.1

REFER TO *SD* SHEET(S) FOR STANDARD DETAILS, BRACING DETAILS AND STRUCTURAL NOTES.

TRUSS SYSTEM REQUIREMENTS

NC (2018 NGRG): Wind: 115-120 mph

1. TRUSS SYSTEM LAYOUTS (PLACEMENT PLANS) SHALL BE DESIGNED IN ACCORDANCE WITH SEALED STRUCTURAL PLANS. ANY NEED TO CHANGE TRUSSES SHALL BE COORDINATED WITH SOUTHERN ENGINEERS.
2. TRUSS SCHEMATICS (PROFILES) SHALL BE PREPARED AND SEALED BY TRUSS MANUFACTURER.
3. ALL TRUSSES SHALL BE DESIGNED FOR BEARING ON SFF #2 OR #3 PLATES OR LEDGERS (UNO).
4. ALL REQUIRED ANCHORS FOR TRUSSES DUE TO UPLIFT OR BEARING SHALL MEET THE REQUIREMENTS AS SPECIFIED ON THE TRUSS SCHEMATICS.

HEADER/BEAM & COLUMN NOTES

1. ALL EXTERIOR AND LOAD BEARING HEADERS SHALL BE MIN. (2)2x6 (4" WALL) OR (3)2x6 (6" WALL) WITH (1) SUPPORT STUD, UNLESS NOTED OTHERWISE.
2. THE NUMBER SHOWN AT BEAM AND HEADER SUPPORTS INDICATES THE NUMBER OF SUPPORT STUDS REQUIRED IN STUD POCKET OR COLUMN. THE NUMBER OF KING STUDS AT EACH END OF HEADERS IN EXTERIOR WALLS SHALL BE ACCORDING TO ITEM "d" IN TABLE R602.3(5) OR AS BELOW PER NCDOT COMMENTARY "KING STUDS AT WALL OPENINGS" REVISED 1-4-2020:
 - UP TO 3' SPAN: (1) KING STUD
 - OVER 3' UP TO 6' SPAN: (2) KING STUDS
 - OVER 6' UP TO 9' SPAN: (3) KING STUDS
 - OVER 9' UP TO 12' SPAN: (4) KING STUDS
 - OVER 12' UP TO 15' SPAN: (5) KING STUDS

FRAMING NOTES

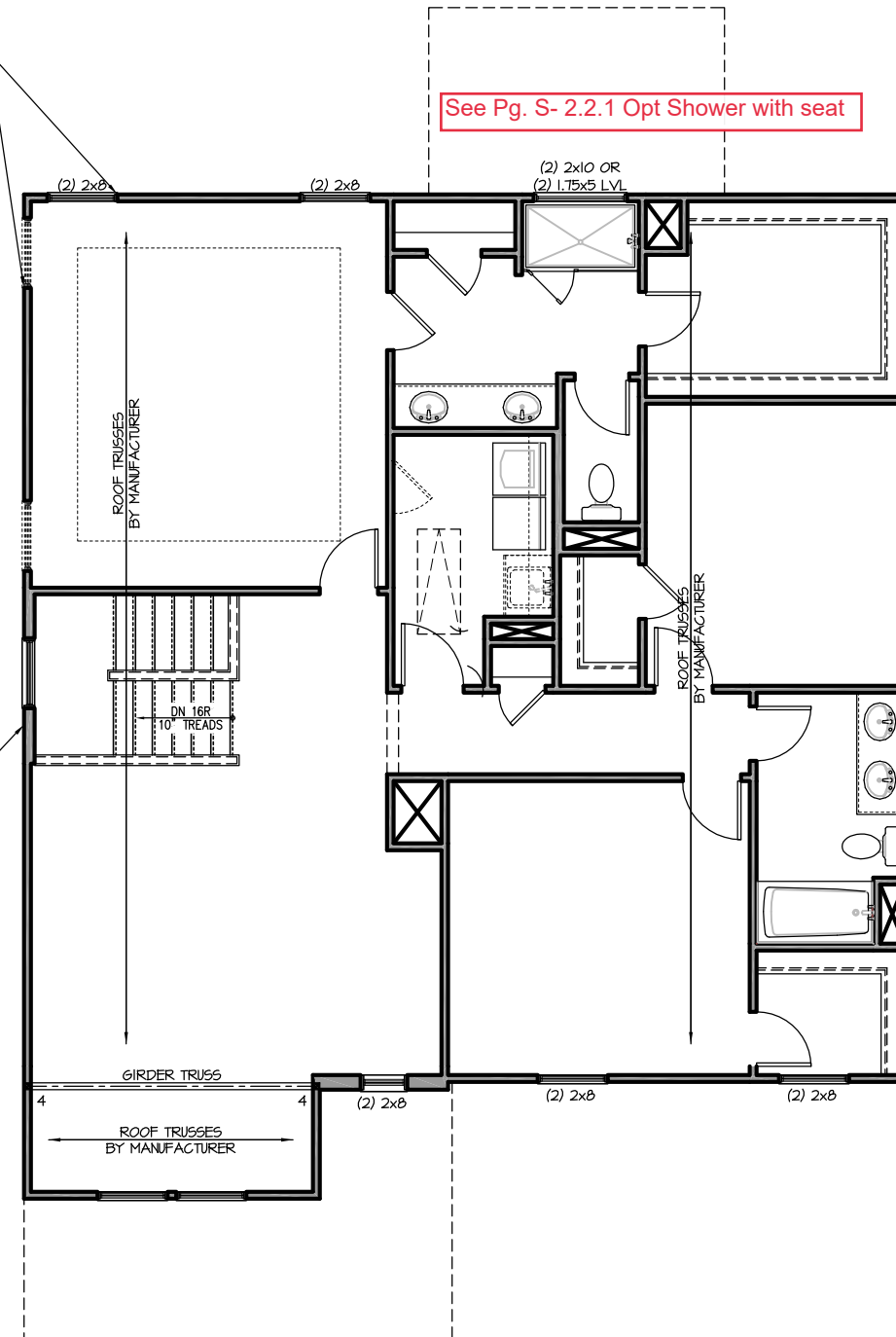
NC (2018 NGRG): Wind: 115-120 mph

1. BRACING METHOD AND TYPE: CONTINUOUSLY SHEATHED WSP; C5-WSP. NOTE THAT THE WALL BRACING AMOUNT PROVIDED ON THE PLANS (DETAILS AND SPECIFICATIONS) IS GREATER THAN THE AMOUNT OF WALL BRACING REQUIRED BY SECTION R602.10 OF THE CODE. SEE NOTES BELOW FOR DETAILS AND SPECIFICATIONS FOR WALL BRACING AND WALL FRAMING.
2. EXTERIOR WALL SHEATHING: WALLS SHALL BE BRACED BY SHEATHING WALLS ON ALL STORIES WITH WOOD STRUCTURAL PANEL SHEATHING (WSP) (EXPOSURE B: 1/16", EXPOSURE C: 15/32"). SHEATHING SHALL BE ATTACHED WITH 8d NAILS AT A 6"12" NAILING PATTERN (6" OC AT PANEL EDGES AND 12" OC AT INTERMEDIATE SUPPORTS). INSTALL BLOCKING AT ALL PANEL EDGES.
3. WSP SHEATHING SHALL EXTEND TO THE UPPERMOST DOUBLE BEARING PLATE. BLOCK AT ROOF PER SECTION R602.10.4.5 AND ATTACH BRACED WALLS PER CODE. WSP SHEATHING BETWEEN FLOORS SHALL BE SPLICED ALONG CONTINUOUS BAND OR THE WSP SHEATHING MAY BE SPLICED ACROSS STUDS (CONTINUOUS ACROSS FLOOR SYSTEM) WITH BLOCKING AT PANEL EDGES. (MINIMUM 12" BEYOND FLOOR BREAK) OR OTHER APPROVED METHOD.
4. "HD" = HOLD-DOWN: HOLD-DOWN DEVICE (NOTED AS "HD" ON PLANS) SHALL BE AN 800 POUND CAPACITY ASSEMBLY AS NOTED ON PLANS. SEE DETAILS FOR HD ASSEMBLY.
 - **GROUND/FIRST FLOOR: USE "HD HOLD-DOWN DETAIL" ON SD SHEET (OR EQUIV.)
 - **UPPER FLOORS: ATTACH BASE OF KING STUD WITH A SIMPSON C522 STRAP DOWN ACROSS THE BAND AND DOWN TO A STUD BELOW OR HEADER BELOW. EXTEND STRAP 7" MIN ALONG EACH STUD (OR HEADER) AND ATTACH EACH END W/ (1) 8d NAILS.
5. INTERIOR BRACED WALL: (NOTED AS "IBW" ON PLANS) ATTACH 1/2" GYPSUM BOARD (GB) ON EACH SIDE OF WALL WITH A MIN. OF 5d COOLER NAILS OR #6 SCREWS @ 1" O.C. ALONG THE EDGES AND AT INTERMEDIATE SUPPORTS.
6. INTERIOR BRACED WALL-WOOD STRUCTURAL PANEL: (NOTED AS "IBW-WSP" ON PLANS). ATTACH ONE SIDE WITH 1/8" WSP SHEATHING WITH 8d NAILS AT A 6"12" NAILING PATTERN (6" OC AT PANEL EDGES AND 12" OC AT INTERMEDIATE SUPPORTS). INSTALL BLOCKING AT ALL PANEL EDGES. ATTACH GB OVER WSP AS REQUIRED. ATTACH OPPOSITE SIDE WITH 1/2" GB WITH A MIN. OF 5d COOLER NAILS OR #6 SCREWS @ 1" O.C. ALONG THE EDGES AND AT INTERMEDIATE SUPPORTS.

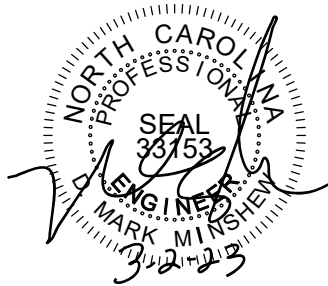
ATTACH BASE OF STUD WITH A SIMPSON C520 OR C5HP20 STRAP DOWN ACROSS THE BAND AND DOWN TO A STUD BELOW OR HEADER BELOW. EXTEND STRAP 4" MIN. ALONG EACH STUD (OR HEADER) AND ATTACH EACH END WITH (8) 8d COMMON NAILS (OR EQ).

See Pg. S-2.2.1 Opt Shower with seat

BALLOON FRAME STAIR WALL WITH 2x6 STUDS @ 16" O.C. STUDS MAY BE SPLICED AT LANDING LEVEL.



SECOND FLOOR PLAN 'TRADITIONAL'
SCALE: 1/8"=1'-0" ON 11x17, 1/4"=1'-0" ON 22x34



PROJECT #
21-2817-RH

Engineers seal applies only to structural components on this document. Seal does not include construction means, methods, techniques, sequences, procedures or safety precautions. Any deviations or discrepancies on plans are to be brought to the immediate attention of Southern Engineers. Failure to do so will void Southern Engineer's liability. Seal is valid for projects permitted one year from date of seal. Use of these plans constitutes approval of terms & conditions as defined in the customer agreement.

Southern Engineers, P.A.
3716 Benson Drive, Raleigh, NC 27609
Phone: (919) 878-1617
License: C-4772
www.southernengineers.com

SOUTH DESIGNS

Plan 04 - The Selma - RH
NEW HOME, INC.

S-2.2

REFER TO "SD" SHEET(S) FOR STANDARD DETAILS, BRACING DETAILS AND STRUCTURAL NOTES.



PROJECT #
21-2817-RH

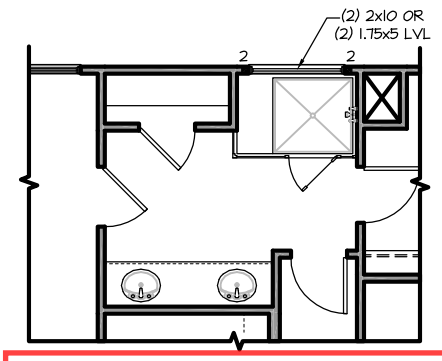
Engineers seal applies only to structural components on this document.
Seal does not include construction means, methods, techniques, sequences, procedures or safety precautions.
Any deviations or discrepancies on plans are to be brought to the immediate attention of Southern Engineers. Failure to do so will void Southern Engineer's liability.
Seal is valid for projects permitted one year from date of seal.
Use of these plans constitutes approval of terms & conditions as defined in the customer agreement.

Southern Engineers, P.A.
3716 Benson Drive, Raleigh, NC 27609
Phone: (919) 878-1617
License: C-4772
www.southernengineers.com

SOUTH DESIGNS

Plan 04 - The Selma - RH
NEW HOME, INC.

S-2.2.1



OPT. SHOWER W/ 18" SEAT
SCALE: 1/8"=1'-0" ON 11x17, 1/4"=1'-0" ON 22x34

REFER TO "SD" SHEET(S) FOR STANDARD DETAILS, BRACING DETAILS AND STRUCTURAL NOTES.

TRUSS SYSTEM REQUIREMENTS

NC (2018 NCRG): Wind: 115-120 mph

1. TRUSS SYSTEM LAYOUTS (PLACEMENT PLANS) SHALL BE DESIGNED IN ACCORDANCE WITH SEALED STRUCTURAL PLANS. ANY NEED TO CHANGE TRUSSES SHALL BE COORDINATED WITH SOUTHERN ENGINEERS.
2. TRUSS SCHEMATICS (PROFILES) SHALL BE PREPARED AND SEALED BY TRUSS MANUFACTURER.
3. ALL TRUSSES SHALL BE DESIGNED FOR BEARING ON SFF #2 OR #3 PLATES OR LEDGERS (UNO).
4. ALL REQUIRED ANCHORS FOR TRUSSES DUE TO UPLIFT OR BEARING SHALL MEET THE REQUIREMENTS AS SPECIFIED ON THE TRUSS SCHEMATICS.

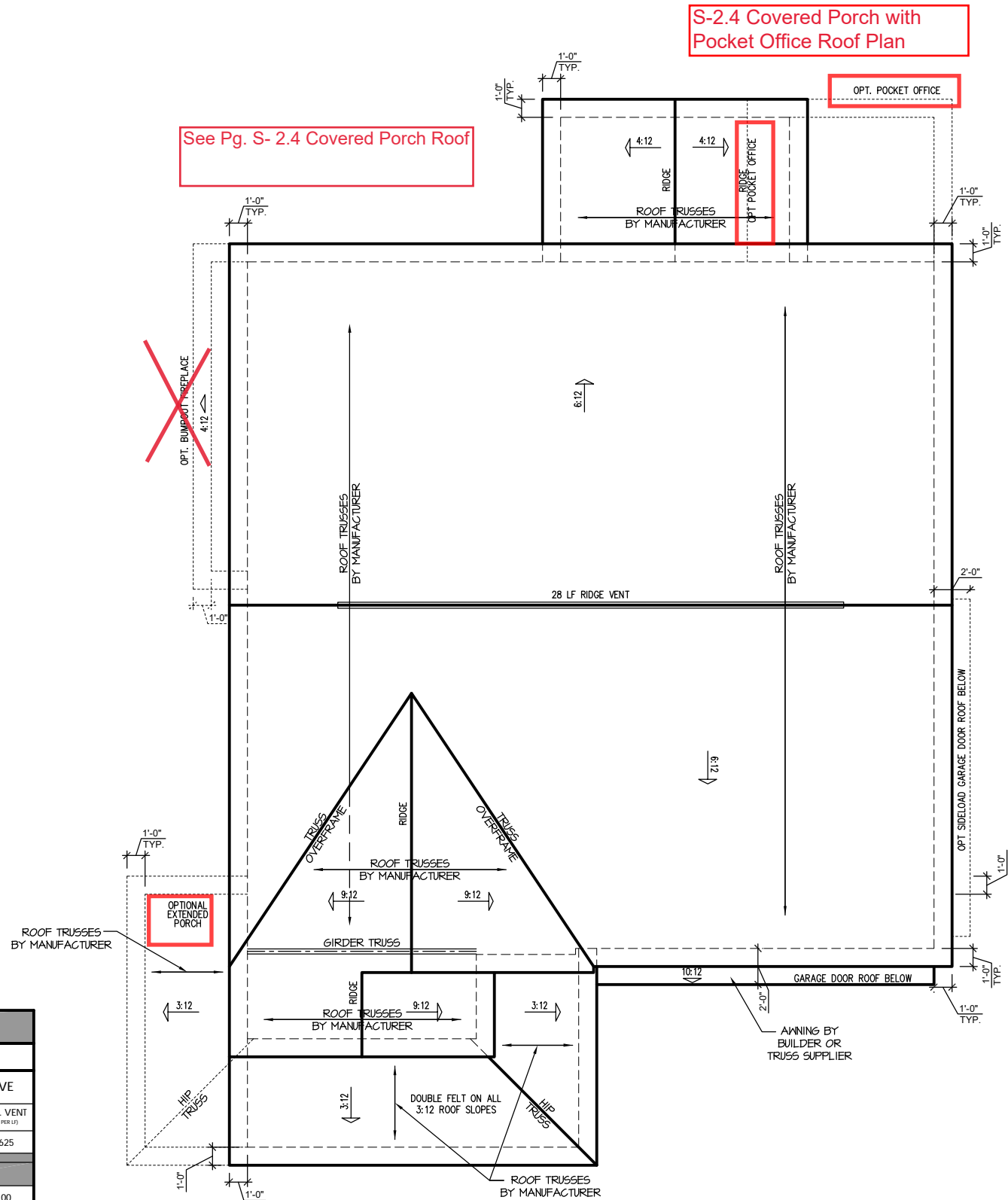
TRUSS SYSTEM REQUIREMENTS

NC (2018 NCRG): Wind: 115-120 mph

1. TRUSS SYSTEM LAYOUTS (PLACEMENT PLANS) SHALL BE DESIGNED IN ACCORDANCE WITH SEALED STRUCTURAL PLANS. ANY NEED TO CHANGE TRUSSES SHALL BE COORDINATED WITH SOUTHERN ENGINEERS.
2. TRUSS SCHEMATICS (PROFILES) SHALL BE PREPARED AND SEALED BY TRUSS MANUFACTURER.
3. ALL TRUSSES SHALL BE DESIGNED FOR BEARING ON SFF #2 OR #3 PLATES OR LEDGERS (UNO).
4. ALL REQUIRED ANCHORS FOR TRUSSES DUE TO UPLIFT OR BEARING SHALL MEET THE REQUIREMENTS AS SPECIFIED ON THE TRUSS SCHEMATICS.

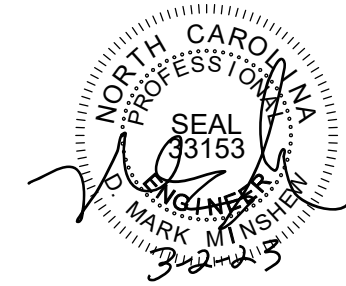
| ATTIC VENT SCHEDULE | | | | | | | | |
|-------------------------|------------------------|------------------|---------------------------|--|--------------------------|-----------------------------|--------------------------|-----------------------------|
| 'TRADITIONAL' ELEVATION | | | | | | | | |
| MAIN HOUSE | | SQ FTG | 1509 | AT / NEAR RIDGE | | | AT / NEAR EAVE | |
| VENT TYPE | SQ. FT. REQUIRED RANGE | SQ. FT. SUPPLIED | PERCENT OF TOTAL SUPPLIED | POT LARGE (SQ. FT. EACH) | POT SMALL (SQ. FT. EACH) | RIDGE VENT (SQ. FT. PER LF) | EAVE VENT (SQ. IN. EACH) | CONT. VENT (SQ. IN. PER LF) |
| | | | | 0.4236 | 0.2778 | 0.125 | 0.1944 | 0.0625 |
| RIDGE VENT | 2.01 2.52 | 3.50 | 48.28 | 0 | 0 | 28.00 | | |
| SOFFIT VENTS | 3.02 2.52 | 3.75 | 51.72 | | | | 0 | 60.00 |
| TOTAL (MIN) | 5.03 5.03 | 7.25 | 100.00 | POT VENTS MAY BE REQUIRED IF THERE IS INSUFFICIENT RIDGE AVAILABLE | | | | |

* SCHEDULE HAS BEEN CALCULATED ASSUMING EAVE VENTILATION AT 50-60% OF TOTAL AND RIDGE AT 40-50% OF TOTAL REQUIRED VENTILATION



'TRADITIONAL' ELEVATION ROOF PLAN

SCALE: 1/4" = 1'-0" ON 22x34, 1/8" = 1'-0" ON 11x17



PROJECT #
21-2817-RH

Engineers seal applies only to structural components on this document. Seal does not include construction means, methods, techniques, sequences, procedures or safety precautions. Any deviations or discrepancies on plans are to be brought to the immediate attention of Southern Engineers. Failure to do so will void Southern Engineer's liability. Seal is valid for projects permitted one year from date of seal. Use of these plans constitutes approval of terms & conditions as defined in the customer agreement.

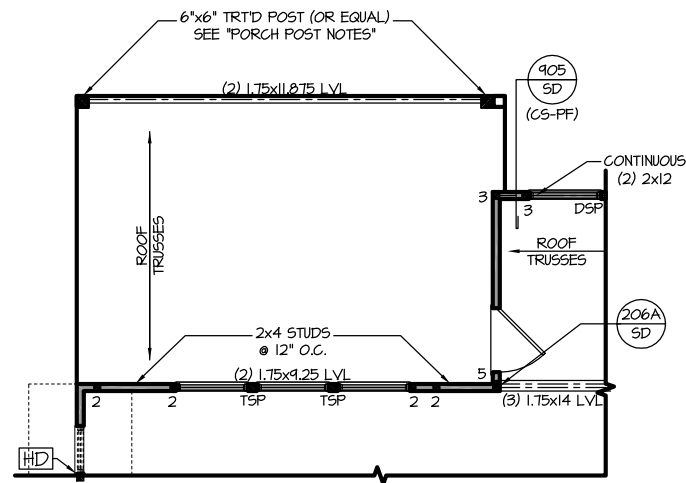
Southern Engineers, P.A.
3716 Benson Drive, Raleigh, NC 27609
Phone: (919) 878-1617
License: C-4772
www.southernengineers.com

SOUTH DESIGNS

Plan 04 - The Selma - RH
NEW HOME, INC.

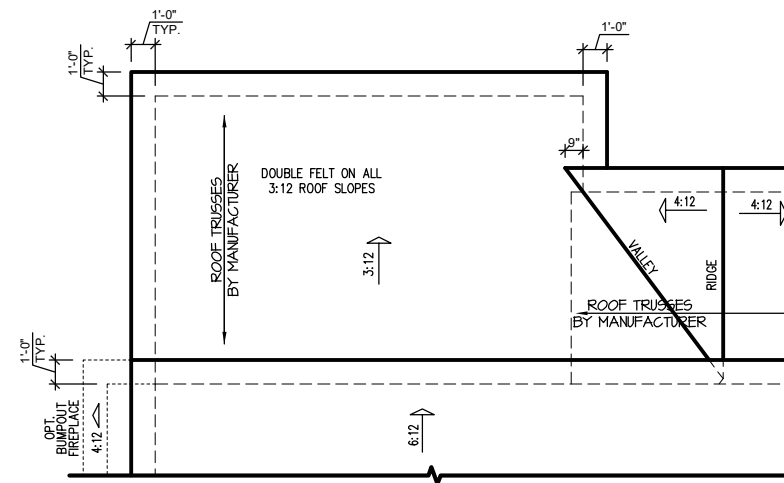
S-3.1

REFER TO 'SD' SHEET(S) FOR STANDARD DETAILS, BRACING DETAILS AND STRUCTURAL NOTES.



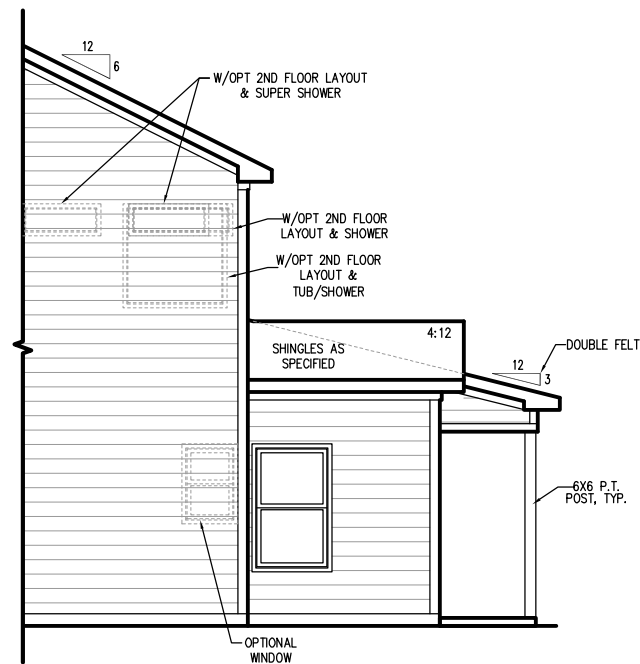
COVERED PORCH FLOOR PLAN

SCALE: 1/8"=1'-0" ON 11x17, 1/4"=1'-0" ON 22x34



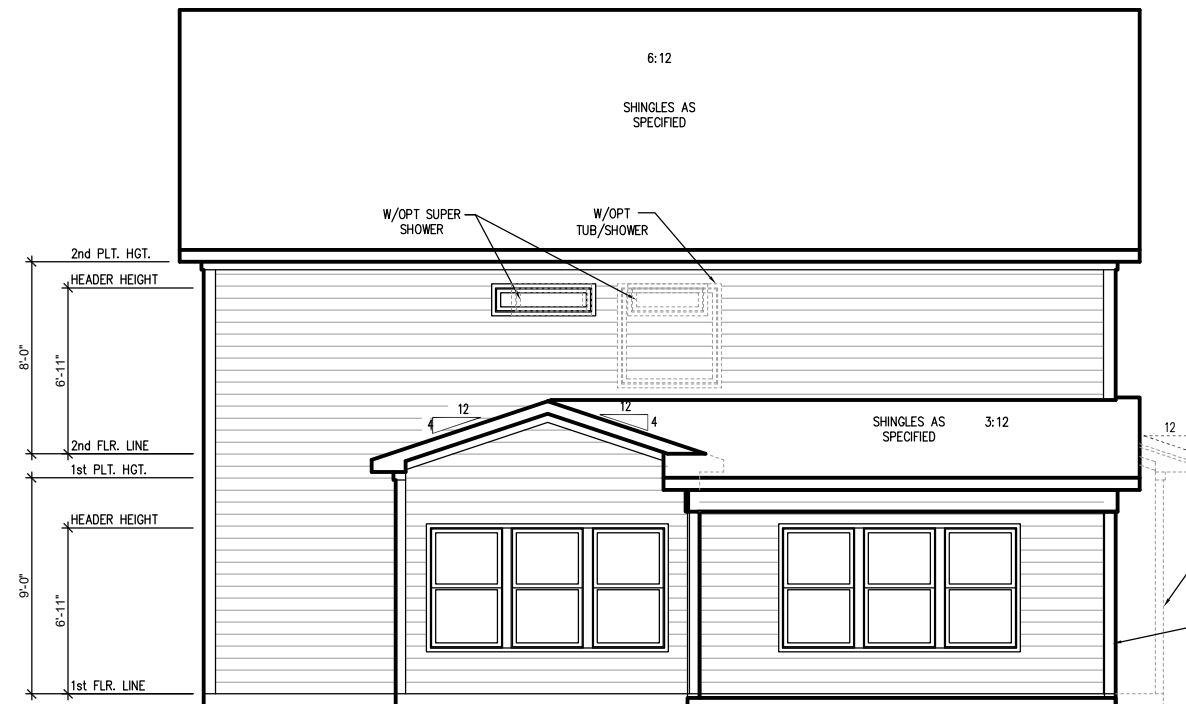
COVERED PORCH ROOF PLAN

SCALE: 1/8"=1'-0" ON 11x17, 1/4"=1'-0" ON 22x34



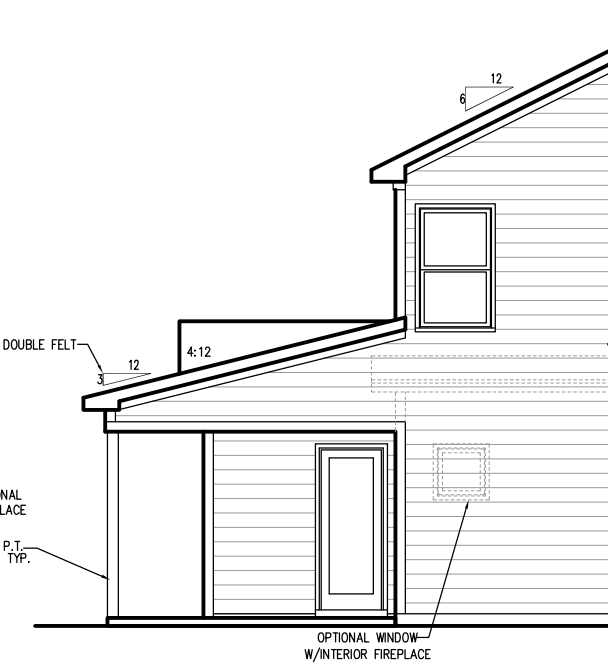
PARTIAL RIGHT SIDE ELEVATION (SLAB)

SCALE: 1/8"=1'-0" ON 11x17, 1/4"=1'-0" ON 22x34



COVERED PORCH REAR ELEVATION (SLAB)

SCALE: 1/8"=1'-0" ON 11x17, 1/4"=1'-0" ON 22x34



PARTIAL LEFT SIDE ELEVATION (SLAB)

SCALE: 1/8"=1'-0" ON 11x17, 1/4"=1'-0" ON 22x34

REFER TO "SD" SHEET(S) FOR
STANDARD DETAILS, BRACING
DETAILS AND STRUCTURAL NOTES.

Southern Engineers, P.A.
3716 Benson Drive, Raleigh, NC 27609
Phone: (919) 878-1617
License: C-4772
www.southernengineers.com

SOUTH DESIGNS

Plan 04 - The Selma - RH
NEW HOME, INC.

S-2.4



PROJECT #
21-2817

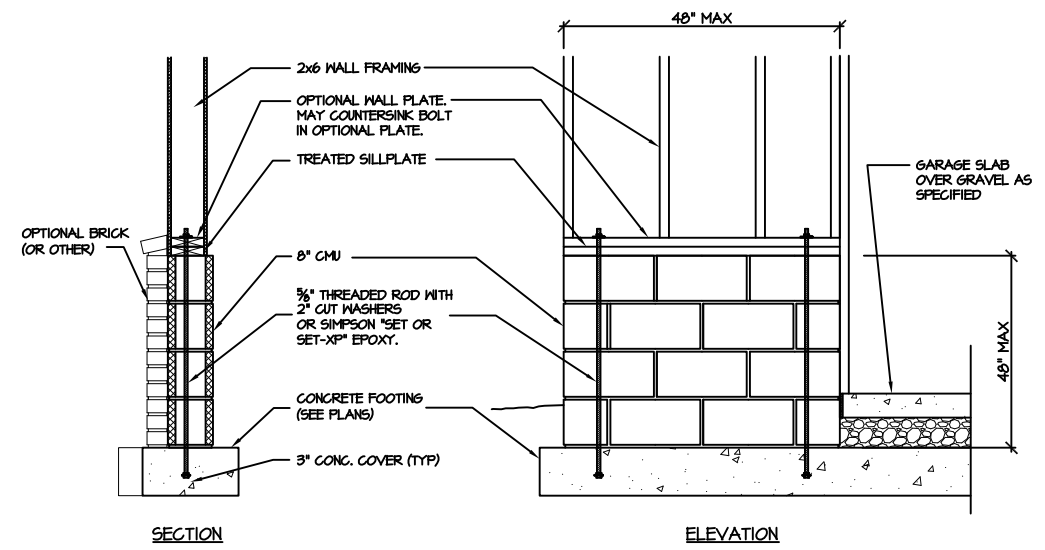
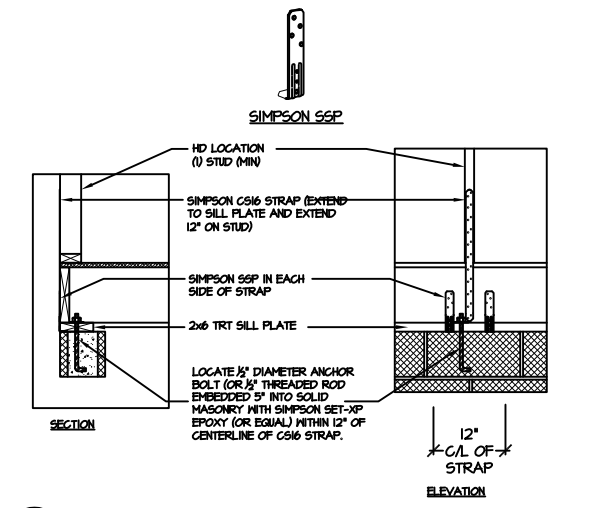
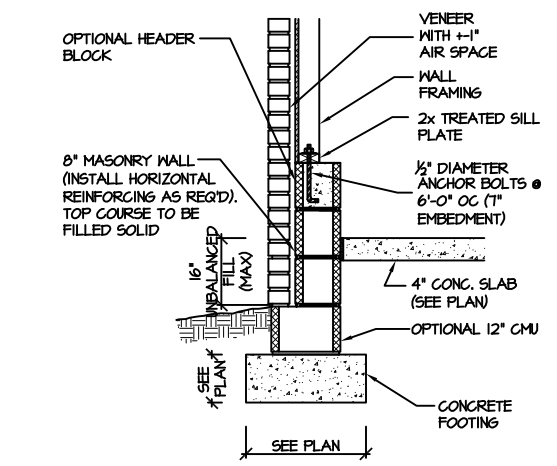
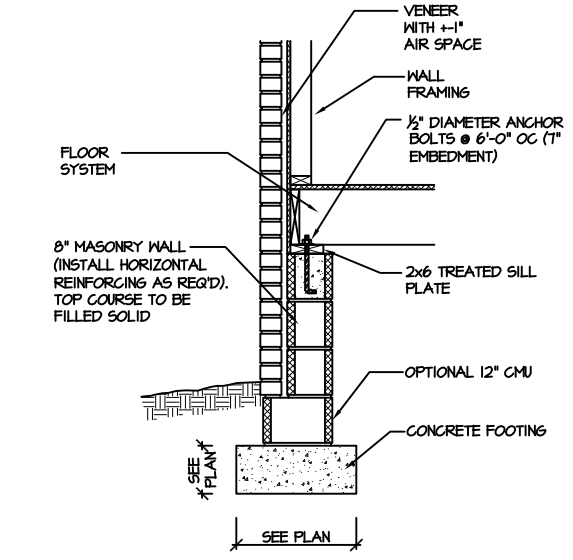
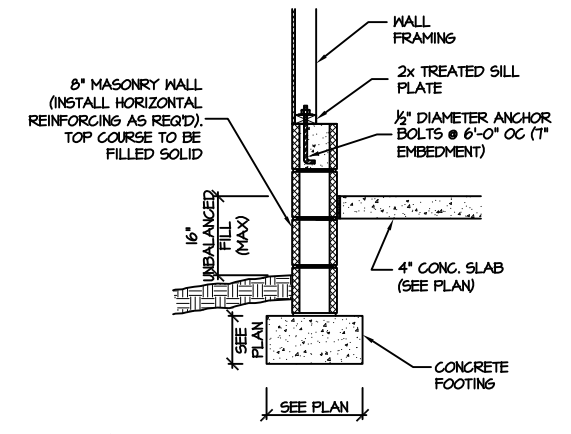
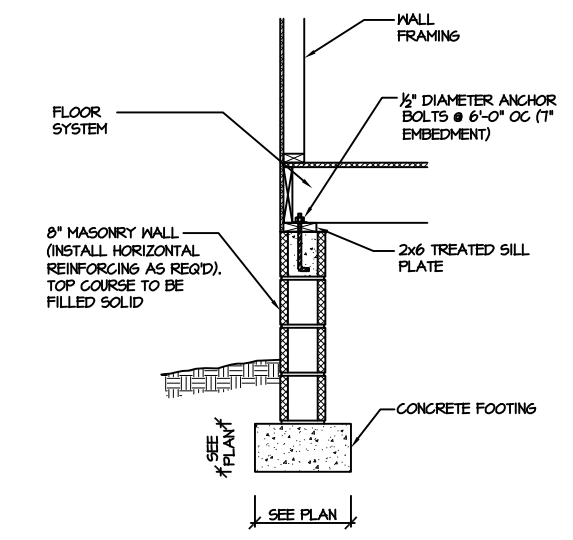
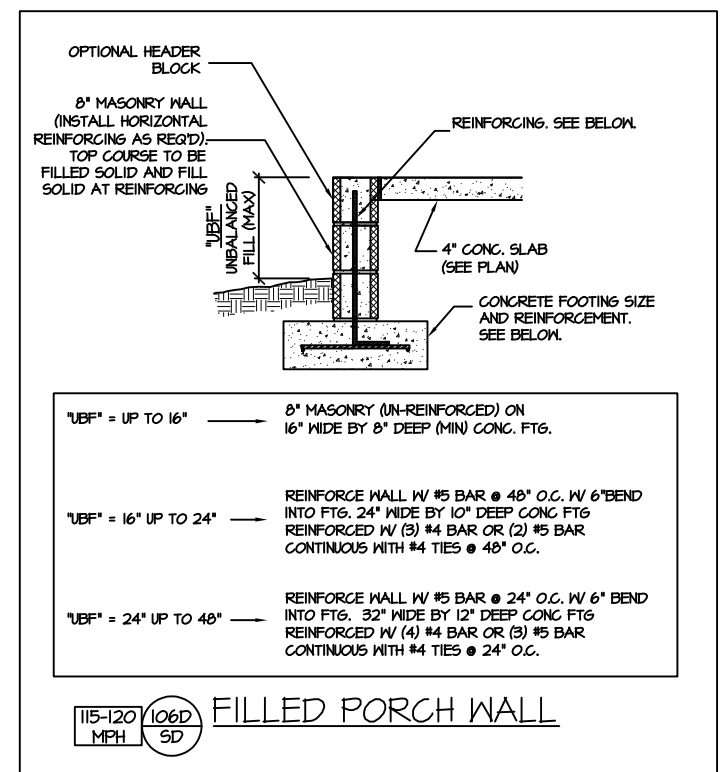
Engineers seal applies only to structural components on this document. Seal does not include construction means, methods, techniques, sequences, procedures or safety precautions. Any deviations or discrepancies on plans are to be brought to the immediate attention of Southern Engineers. Failure to do so will void Southern Engineer's liability. Seal is valid for projects permitted one year from date of seal. Use of these plans constitutes approval of terms & conditions as defined in the customer agreement.

Southern Engineers, P.A.
3716 Benson Drive, Raleigh, NC 27609
Phone: (919) 878-1617
License: C-4772
www.southernengineers.com

NEW HOME, INC

PLAN 4 - THE SELMA

SD



CRAWL SPACE FOUNDATION

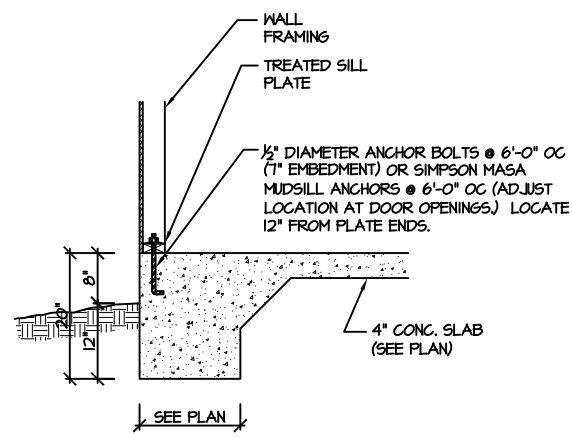
Engineers seal applies only to structural components on this document.
Seal does not include construction means, methods, techniques, sequences, procedures or safety precautions.
Any deviations or discrepancies on plans are to be brought to the immediate attention of Southern Engineers. Failure to do so will void Southern Engineer's liability.
Seal is valid for projects permitted one year from date of seal.
Use of these plans constitutes approval of terms & conditions as defined in the customer agreement.

Southern Engineers, P.A.
3716 Benson Drive, Raleigh, NC 27609
Phone: (919) 878-1617
License: C-4772
www.southernengineers.com

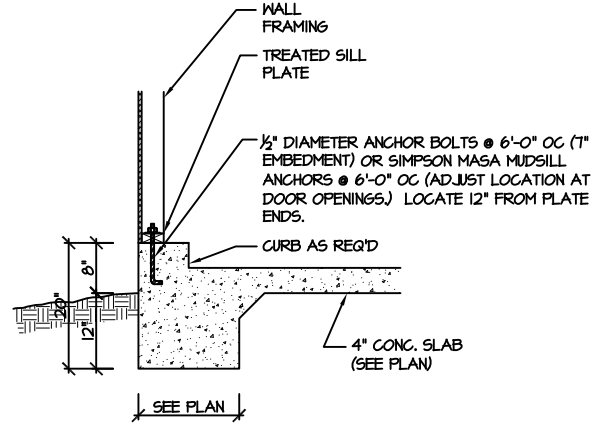
NEW HOME, INC

PLAN 4 - THE SELMA

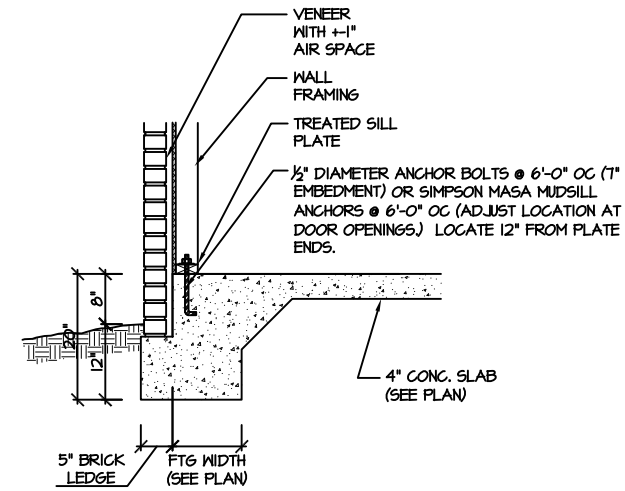
SD



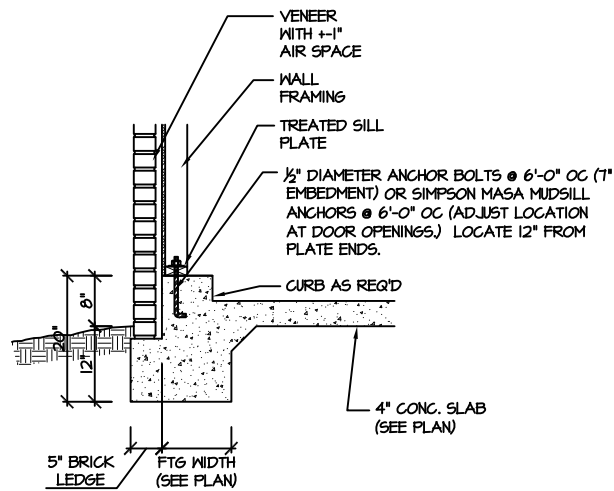
115-120 MPH (100A SD) MONOLITHIC SLAB FOOTING (SIDING OR EQUAL)



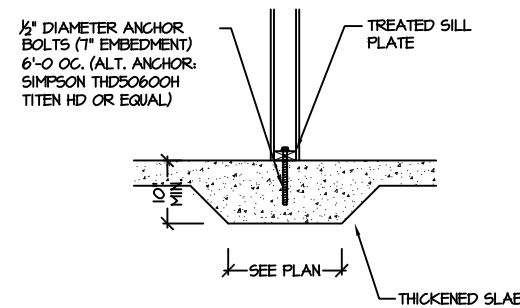
115-120 MPH (101A SD) MONOLITHIC SLAB @ GARAGE (SIDING OR EQUAL)



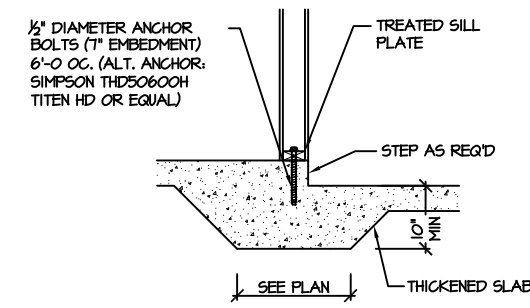
115-120 MPH (102A SD) MONOLITHIC SLAB FOOTING (VENEER)



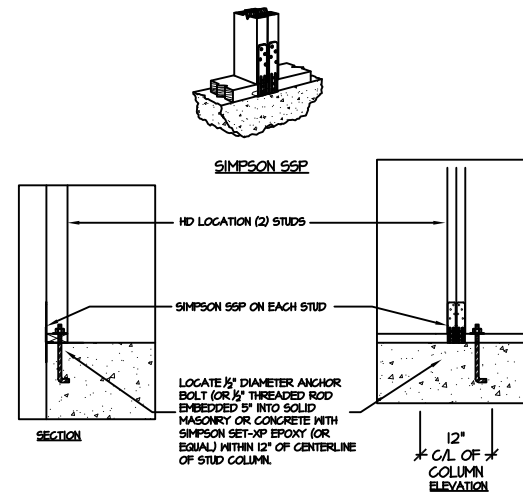
115-120 MPH (103A SD) MONOLITHIC SLAB @ GARAGE (VENEER)



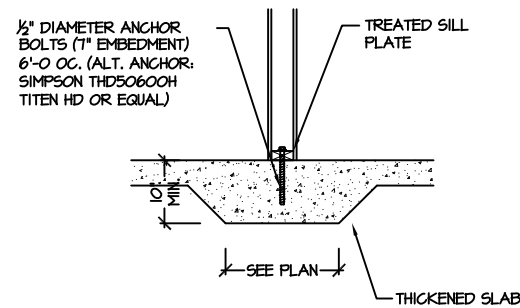
115-120 MPH (104A SD) THICKENED SLAB (INTERIOR BEARING WALL)



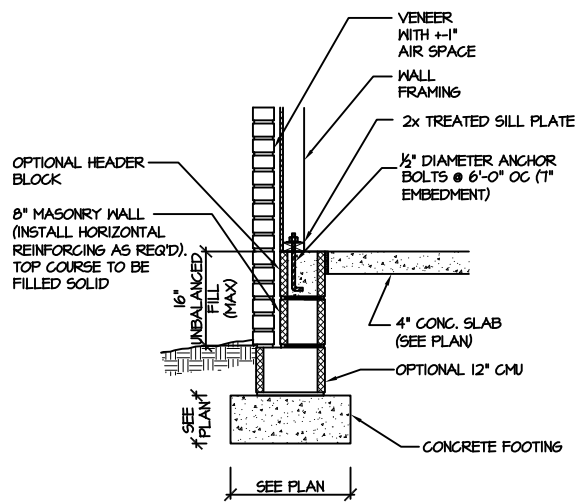
115-120 MPH (105A SD) THICKENED SLAB @ GARAGE (INTERIOR GARAGE WALL)



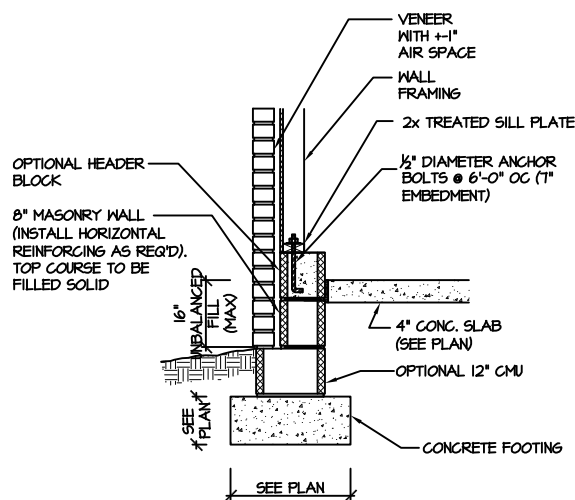
903 SD BRACED WALL END CONDITION "HD" HOLD-DOWN DETAIL
NOTE: SIMPSON DTT-1Z IS ACCEPTABLE ALTERNATE
NOTE: ALTERNATE HD HOLD-DOWN DEVICES OR SYSTEMS MAY BE USED TO MEET THE CODE REQUIRED 800 LB CAPACITY IN LIEU OF THE ABOVE DETAIL.



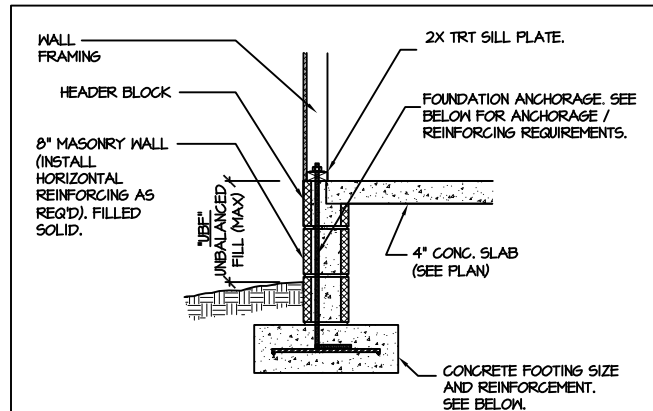
115-120 MPH 104A SD THICKENED SLAB (INTERIOR BEARING WALL)



115-120 MPH 108A SD STEM WALL SLAB FOOTING (VENEER) (FOR UNBALANCED FILL EXCEEDING 16 inch O.C. SEE DETAIL "106F/SD")

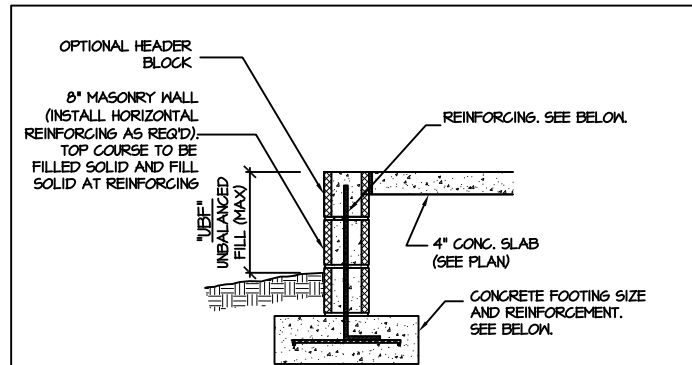


115-120 MPH 109A SD STEM WALL SLAB @ GARAGE (VENEER) (FOR UNBALANCED FILL EXCEEDING 16 inch O.C. SEE DETAIL "106E/SD")



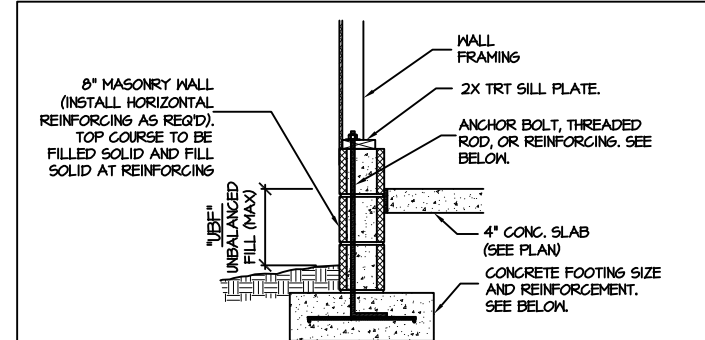
- *UBF = UP TO 16" — 1/2" DIAM ANCHOR BOLT (EMBED 7") @ 6'-0" O.C. 16" WIDE BY 8" DEEP (MIN) CONG. FTG. (UNREINFORCED)
- *UBF = 16" UP TO 24" — 1/2" DIAM ANCHOR BOLT (EMBED 7") @ 6'-0" O.C. REINFORCE WALL W/ #5 BAR @ 48" O.C. W/ 15" LEG @ 48" O.C. WITH WASHERS 24" WIDE BY 10" DEEP CONG FTG REINFORCED W/ (3) #4 BAR OR (2) #5 BAR CONTINUOUS WITH #4 TIES @ 48" O.C.
- *UBF = 24" UP TO 48" — 1/2" DIAM ANCHOR BOLT (EMBED 7") @ 6'-0" O.C. REINFORCE WALL W/ #5 BAR @ 24" O.C. W/ 15" LEG @ 24" O.C. WITH WASHERS 24" WIDE BY 10" DEEP CONG FTG REINFORCED W/ (3) #4 BAR OR (2) #5 BAR CONTINUOUS WITH #4 TIES @ 24" O.C.

115-120 MPH 106F SD STEM WALL SLAB FOOTING (SIDING OR EQUAL)



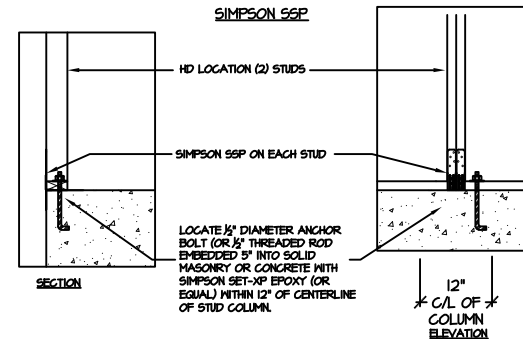
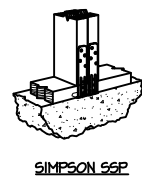
- *UBF = UP TO 16" — 8" MASONRY (UN-REINFORCED) ON 16" WIDE BY 8" DEEP (MIN) CONG. FTG.
- *UBF = 16" UP TO 24" — REINFORCE WALL W/ #5 BAR @ 48" O.C. W/ 6" BEND INTO FTG. 24" WIDE BY 10" DEEP CONG FTG REINFORCED W/ (3) #4 BAR OR (2) #5 BAR CONTINUOUS WITH #4 TIES @ 48" O.C.
- *UBF = 24" UP TO 48" — REINFORCE WALL W/ #5 BAR @ 24" O.C. W/ 6" BEND INTO FTG. 32" WIDE BY 12" DEEP CONG FTG REINFORCED W/ (4) #4 BAR OR (3) #5 BAR CONTINUOUS WITH #4 TIES @ 24" O.C.

115-120 MPH 106D SD FILLED PORCH WALL

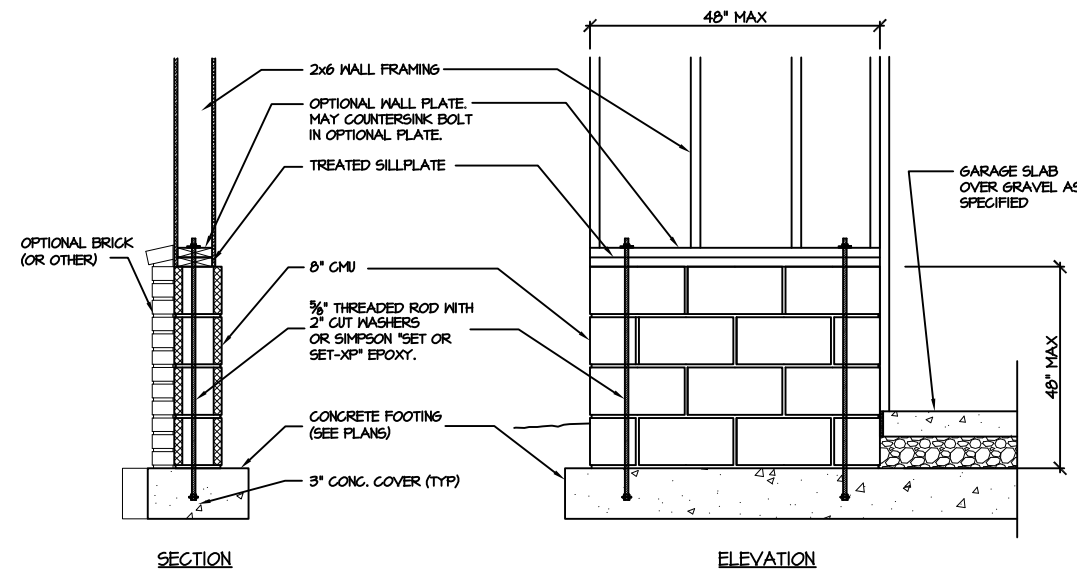


- *UBF = UP TO 16" — 1/2" DIAM ANCHOR BOLT (EMBED 7") @ 6'-0" O.C. 16" WIDE BY 8" DEEP (MIN) CONG. FTG.
- *UBF = 16" UP TO 24" — 1/2" DIAM ANCHOR BOLT (EMBED 7") @ 6'-0" O.C. REINFORCE WALL W/ #5 BAR @ 48" O.C. W/ 6" LEG INTO FTG. OR INSTALL 3/8" THREADED ROD @ 48" O.C. WITH WASHERS 24" WIDE BY 10" DEEP CONG FTG REINFORCED W/ (3) #4 BAR OR (2) #5 BAR CONTINUOUS WITH #4 TIES @ 48" O.C.
- *UBF = 24" UP TO 48" — 1/2" DIAM ANCHOR BOLT (EMBED 7") @ 6'-0" O.C. REINFORCE WALL W/ #5 BAR @ 24" O.C. W/ 6" LEG INTO FTG. 32" WIDE BY 12" DEEP CONG FTG REINFORCED W/ (4) #4 BAR OR (3) #5 BAR CONTINUOUS WITH #4 TIES @ 32" O.C.

115-120 MPH 107E SD STEM WALL SLAB @ GARAGE (SIDING OR EQUAL)



903 SD BRACED WALL END CONDITION "HD" HOLD-DOWN DETAIL
NOTE: SIMPSON DTT-12 IS ACCEPTABLE ALTERNATE
NOTE: ALTERNATE HD HOLD-DOWN DEVICES OR SYSTEMS MAY BE USED TO MEET THE CODE REQUIRED 800 LB CAPACITY IN LIEU OF THE ABOVE DETAIL.



907 SD GARAGE 'WING WALL' REINFORCING PER IRC FIGURE R602.10.4.3

STEMWALL SLAB FOUNDATION



PROJECT # 21-2817

Engineers seal applies only to structural components on this document. Seal does not include construction means, methods, techniques, sequences, procedures or safety precautions. Any deviations or discrepancies on plans are to be brought to the immediate attention of Southern Engineers. Failure to do so will void Southern Engineer's liability. Seal is valid for projects permitted one year from date of seal. Use of these plans constitutes approval of terms & conditions as defined in the customer agreement.

Southern Engineers, P.A.
3716 Benson Drive, Raleigh, NC 27609
Phone: (919) 878-1617
License: C-4772
www.southernengineers.com

NEW HOME, INC

PLAN 4 - THE SELMA

SD



PROJECT #
21-2817

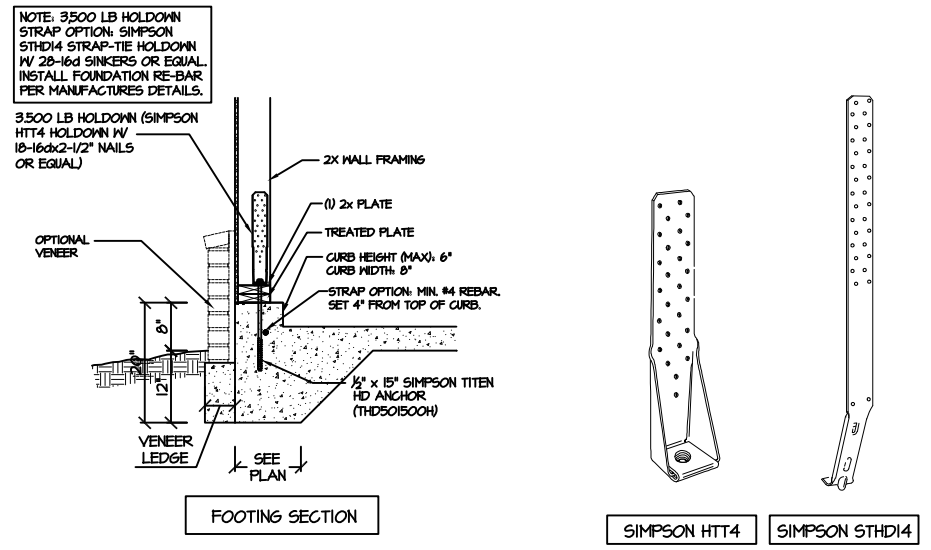
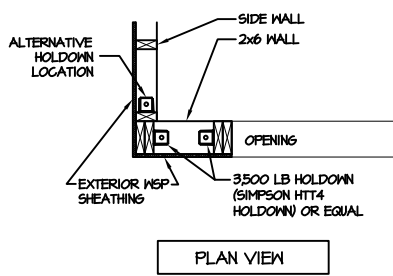
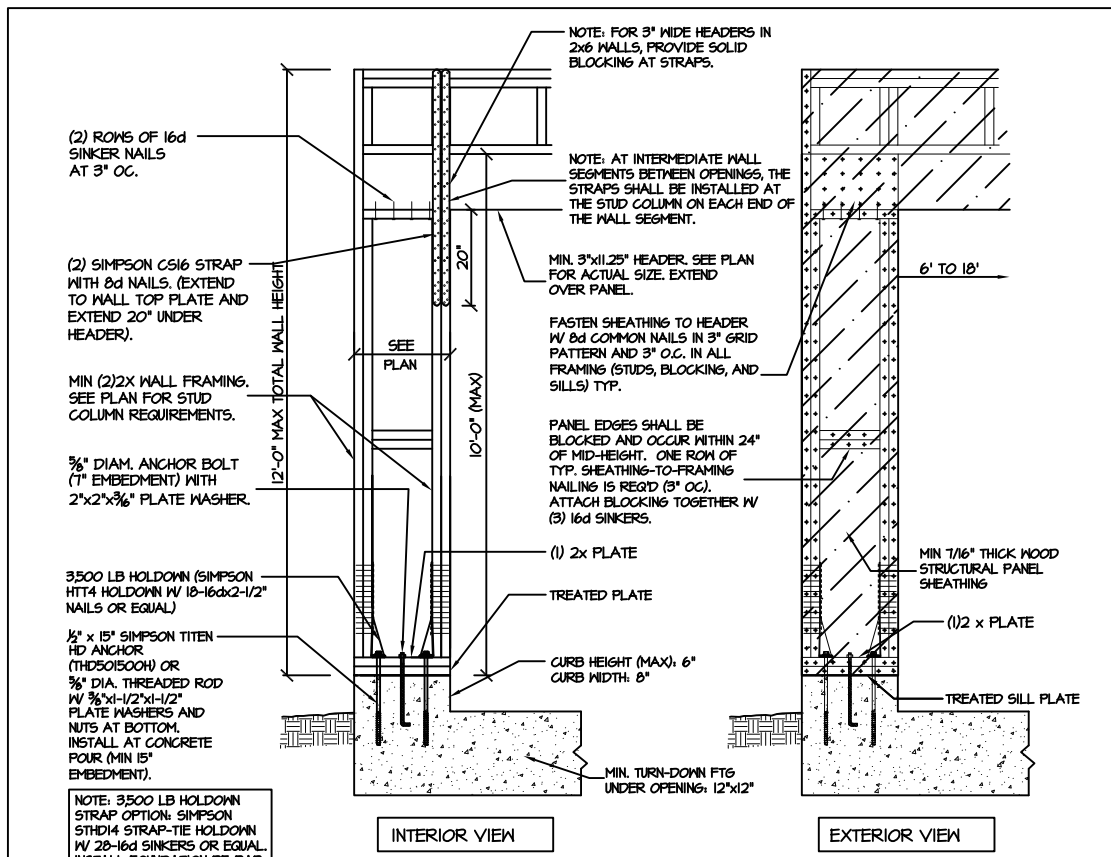
Engineers seal applies only to structural components on this document.
Seal does not include construction means, methods, techniques, sequences, procedures or safety precautions.
Any deviations or discrepancies on plans are to be brought to the immediate attention of Southern Engineers. Failure to do so will void Southern Engineer's liability.
Seal is valid for projects permitted one year from date of seal.
Use of these plans constitutes approval of terms & conditions as defined in the customer agreement.

Southern Engineers, P.A.
3716 Benson Drive, Raleigh, NC 27609
Phone: (919) 878-1617
License: C-4772
www.southernengineers.com

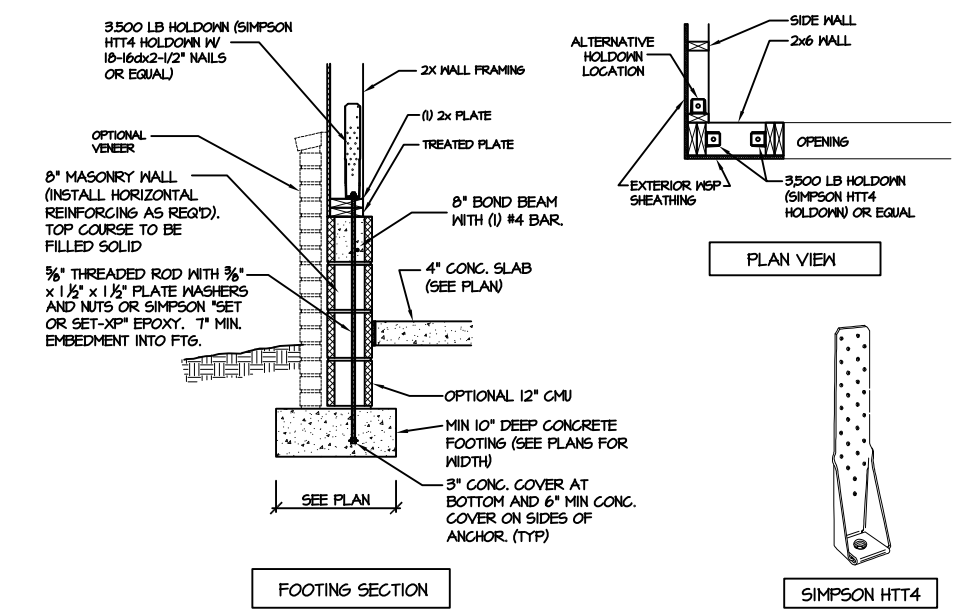
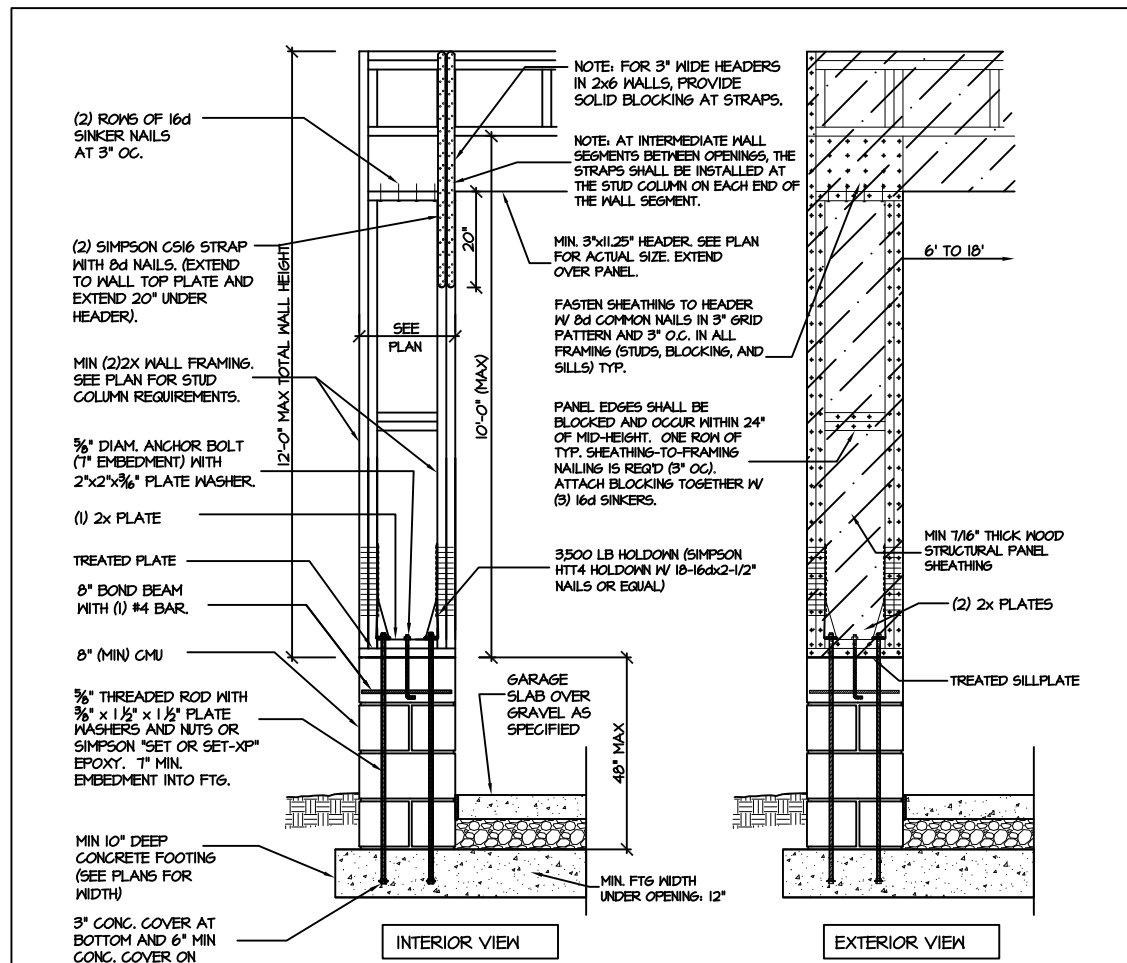
NEW HOME, INC

PLAN 4 - THE SELMA

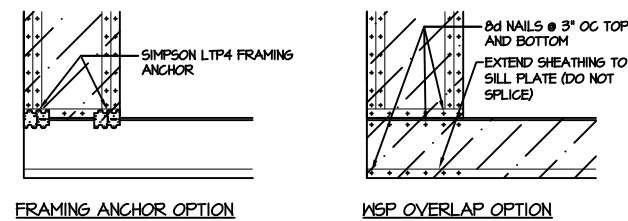
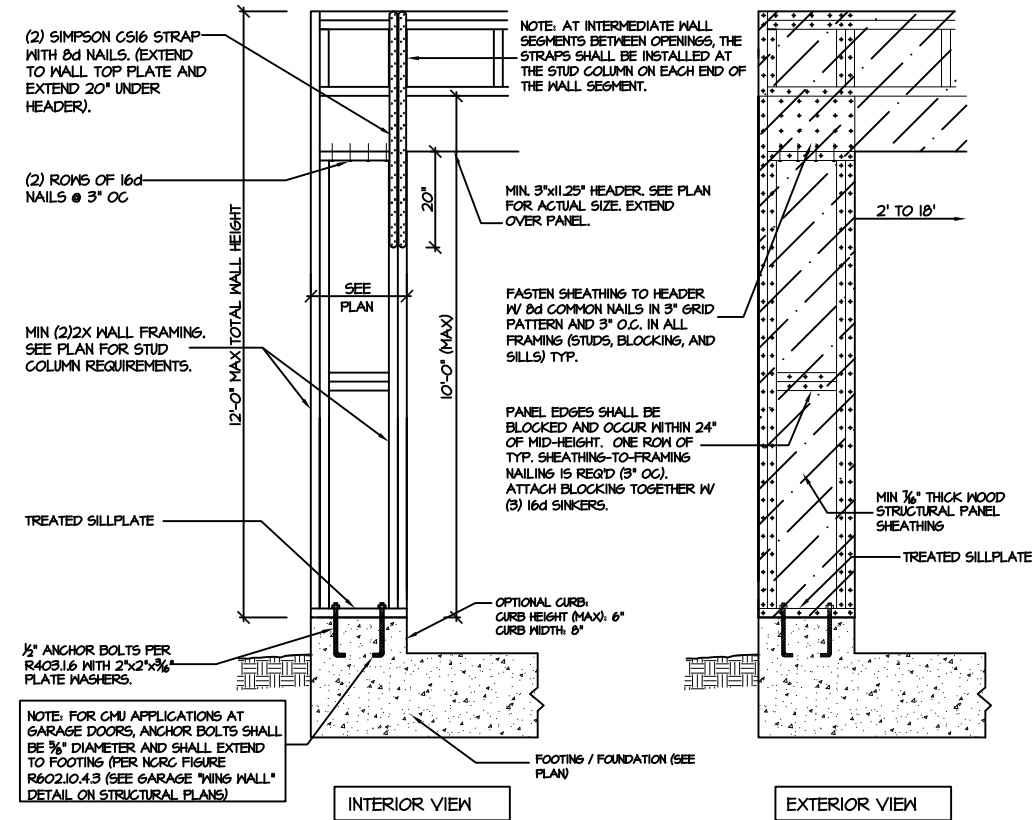
SD



SECTION 900A SD
APA PORTAL FRAME W/ HOLD-DOWNS
DETAIL AND APPLICATION BASED ON APA TT-100F WITH USE OF TABLE I FOR APA PORTAL FRAME WITH HOLD-DOWN CAPACITIES.

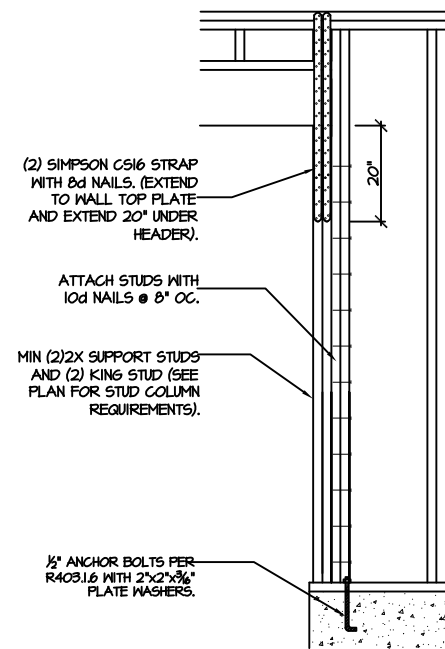


SECTION 901A SD
APA PORTAL FRAME W/ HOLD-DOWNS
DETAIL AND APPLICATION BASED ON APA TT-100F WITH USE OF TABLE I FOR APA PORTAL FRAME WITH HOLD-DOWN CAPACITIES.



CS-PF - OVER WOOD FLOOR

905 SD CS-PF: CONTINUOUS PORTAL FRAME CONSTRUCTION
DETAIL AND APPLICATION BASED ON NCRG FIGURE R602.10.1 - PORTAL FRAME CONSTRUCTION



906 SD CS-PF: END CONDITION DETAIL
(FOR USE WITH SINGLE CS-PF CONDITION)
DETAIL AND APPLICATION BASED ON NCRG FIGURE R602.10.1 - PORTAL FRAME CONSTRUCTION

STRUCTURAL NOTES

NC (2018 NCRG); Wind: 115-120 mph

- ENGINEER'S SEAL APPLIES ONLY TO STRUCTURAL COMPONENTS INCLUDING ROOF RAFTERS, HIPs, VALLEYS, RIDGES, FLOORS, WALLS, BEAMS AND HEADERS, COLUMNS, CANTILEVERS, OFFSET LOAD BEARING WALLS, PIER & GIRDER SYSTEM, FOOTINGS, AND PILING SYSTEM. ENGINEER'S SEAL DOES NOT CERTIFY DIMENSIONAL ACCURACY OR ARCHITECTURAL LAYOUT INCLUDING ROOF SYSTEM. ALL REQUIREMENTS FOR PROFESSIONAL CERTIFICATION SHALL BE PROVIDED BY THE APPROPRIATE PROFESSIONAL. SOUTHERN ENGINEERS, P.A. CERTIFIES ONLY THE STRUCTURAL COMPONENTS AS SPECIFICALLY STATED.
- ALL CONSTRUCTION SHALL CONFORM TO THE LATEST REQUIREMENTS OF THE 2018 NC RESIDENTIAL CODE, PLUS ALL LOCAL CODES AND REGULATIONS. THE STRUCTURAL ENGINEER IS NOT RESPONSIBLE FOR, AND WILL NOT HAVE CONTROL OF, CONSTRUCTION MEANS, METHODS, TECHNIQUES, SEQUENCES OR PROCEDURES, OR FOR SAFETY PRECAUTIONS AND PROGRAMS IN CONNECTION WITH THE CONSTRUCTION WORK, NOR WILL THE ENGINEER BE RESPONSIBLE FOR THE CONTRACTOR'S FAILURE TO CARRY OUT THE CONSTRUCTION WORK IN ACCORDANCE WITH THE CONTRACT DOCUMENTS. "CONSTRUCTION REVIEW" SERVICES ARE NOT PART OF OUR CONTRACT. ALL MEMBERS SHALL BE FRAMED ANCHORED, TIED AND BRACED IN ACCORDANCE WITH GOOD CONSTRUCTION PRACTICE AND THE BUILDING CODE.
- DESIGN LOADS (LISTED AS: LIVE LOAD, DEAD LOAD, DEFLECTION)
 - ROOMS OTHER THAN SLEEPING ROOMS: (40 PSF, 10 PSF, L/360)
 - SLEEPING ROOMS: (30 PSF, 10 PSF, L/360)
 - ATTIC WITH PERMANENT STAIR: (40 PSF, 10 PSF, L/360)
 - ATTIC WITHOUT PERMANENT STAIR: (20 PSF, 10 PSF, L/360)
 - ATTIC WITHOUT STORAGE: (10 PSF, 10 PSF, L/240)
 - STAIRS: (40 PSF, 10 PSF, L/360)
 - DECKS AND EXTERIOR BALCONIES: (40 PSF, 10 PSF, L/360)
 - PASSENGER VEHICLE GARAGES: (50 PSF, 10 PSF, L/360)
 - SNOW: (20 PSF)
- WALLS SHALL BE BRACED BY SHEATHING WALLS ON ALL STORIES WITH WOOD STRUCTURAL PANELS. SEE FRAMING NOTES FOR THICKNESS AND NAILING REQUIREMENTS.
- SEE APPENDIX M (DCA6) FOR EXTERIOR DECK REQUIREMENTS INCLUDING ATTACHMENTS FOR LATERAL LOADS.
- CONCRETE SHALL HAVE A MINIMUM 28 DAY STRENGTH OF 3000 PSI AND A MAXIMUM SLUMP OF 5 INCHES UNLESS NOTED OTHERWISE (INO). AIR ENTRAINED PER TABLE 402.2. ALL CONCRETE SHALL BE PROPORTIONED, MIXED, HANDLED, SAMPLED, TESTED, AND PLACED IN ACCORDANCE WITH ACI STANDARDS. ALL SAMPLES FOR PUMPING SHALL BE TAKEN FROM THE EXIT END OF THE PUMP. CONTROL JOINTS IN SLABS SHALL BE SPACED ON A GRID OF +30 TIMES THE DEPTH (D). CONTROL JOINTS SHALL BE SAWCUT TO A DEPTH OF 1/D. (I.E. 4" CONCRETE SLABS SHALL HAVE 1/4" DEEP CONTROL JOINTS SAWCUT IN SLAB ON A +10'-0" x +10'-0" GRID).
- ALLOWABLE SOIL BEARING PRESSURE ASSUMED TO BE 2000 PSF. THE CONTRACTOR MUST CONTACT A GEOTECHNICAL ENGINEER AND THE STRUCTURAL ENGINEER IF UNSATISFACTORY SUBSURFACE CONDITIONS ARE ENCOUNTERED. THE SURFACE AREA ADJACENT TO THE FOUNDATION WALL SHALL BE PROVIDED WITH ADEQUATE DRAINAGE, AND SHALL BE GRADED SO AS TO DRAIN SURFACE WATER AWAY FROM FOUNDATION WALLS.
 - P.S.L. SHALL BE PARALLEL STRAND LUMBER: Fb=2900 PSI, Fv=290 PSI, E=2.0x10⁶ PSI.
 - L.S.L. SHALL BE LAMINATED STRAND LUMBER: Fb=2250 PSI, Fv=400 PSI, E=1.55x10⁶ PSI. INSTALL ALL CONNECTIONS PER MANUFACTURERS INSTRUCTIONS.
- ALL ROOF TRUSSES AND I-JOIST LAYOUTS SHALL BE PREPARED IN ACCORDANCE WITH THE SEALED STRUCTURAL DRAWINGS. TRUSSES AND I-JOISTS SHALL BE INSTALLED ACCORDING TO THE MANUFACTURER'S SPECIFICATIONS. ANY CHANGE IN TRUSS OR I-JOIST LAYOUT SHALL BE COORDINATED WITH SOUTHERN ENGINEERS.
- ALL STRUCTURAL STEEL SHALL BE ASTM A-36. STEEL BEAMS SHALL BE SUPPORTED AT EACH END WITH A MINIMUM BEARING LENGTH OF 3 1/2" INCHES AND FULL FLANGE WIDTH. PROVIDE SOLID BEARING FROM BEAM SUPPORT TO FOUNDATION. BEAMS SHALL BE ATTACHED TO EACH SUPPORT WITH TWO LAG SCREWS (1/2" DIAMETER x 4" LONG). LATERAL SUPPORT IS CONSIDERED ADEQUATE PROVIDING THE JOIST ARE TOE NAILED TO THE SOLE PLATE, AND SOLE PLATE IS NAILED OR BOLTED TO THE BEAM FLANGE @ 48" O.C. ALL STEEL TUBING SHALL BE ASTM A500.
- REBAR SHALL BE DEFORMED STEEL, ASTM615, GRADE 60. LAP ALL REBAR SPLICES 30 BAR DIAMETERS.
- FLITCH BEAMS SHALL BE BOLTED TOGETHER USING (2) ROWS OF 1/2" DIAMETER BOLTS (ASTM A325) WITH WASHERS PLACED UNDER THE THREADED END OF BOLT. BOLTS SHALL BE SPACED AT 24" O.C. (MAX), AND STAGGERED AT THE TOP AND BOTTOM OF BEAM (2" EDGE DISTANCE), WITH 2 BOLTS LOCATED AT 6" FROM EACH END.
- BRICK LINTELS (WHEN REQUIRED) SHALL BE 3 1/2"x3 1/2"x1/4" STEEL ANGLE FOR UP TO 6'-0" SPAN AND 6"x4"x5/16" STEEL ANGLE WITH 6" LEG VERTICAL FOR SPANS UP TO 9'-0". SEE PLANS FOR SPANS OVER 9'-0". SEE ALSO SECTION RT03.B.3 LINTELS.

Engineers seal applies only to structural components on this document.
Seal does not include construction means, methods, techniques, sequences, procedures or safety precautions.
Any deviations or discrepancies on plans are to be brought to the immediate attention of Southern Engineers. Failure to do so will void Southern Engineer's liability.
Seal is valid for projects permitted one year from date of seal.
Use of these plans constitutes approval of terms & conditions as defined in the customer agreement.

Southern Engineers, P.A.
3716 Benson Drive, Raleigh, NC 27609
Phone: (919) 878-1617
License: C-4772
www.southernengineers.com

NEW HOME, INC

PLAN 4 - THE SELMA

SD