

EXPRESS HOMES 40' SERIES MODEL 'HAYDEN' - RH

**Woodgrove Lot 128
41 Winterberry Way
Fuquay Varina, NC 27526**

PLAN CHANGES:

DATE:	DESCRIPTION:
02.22.21	INITIAL PLAN RELEASE
03.10.21	CLIENT REVISIONS
04.14.21	CLIENT REVISIONS
04.15.21	CLIENT REVISIONS
12.03.21	CLIENT REVISIONS
01.26.22	CLIENT REVISIONS
04.25.22	ADDED LIGHT OVER TUB/SHOWER IN BATH 2

CONSULTANTS:

ABBREVIATIONS

ABV	ABOVE
AG	AIR CONDITIONING
AD	AREA DRAIN
ADJ	ADJUSTABLE
ALT	ALTERNATE
ALH	ALUMINUM
ARCH	ARCHITECTURAL
BA	BATHROOM
BD	BOARD
BF	BI-FOLD (DOOR)
BLDG	BUILDING
BLK	BLOCK (CMU)
BLN	BELOW
BM	BEAM
BP	BI-PASS (DOOR)
BTM	BOTTOM
BTWN	BETWEEN
CAB	CABINET
CER	CERAMIC
C.J.	CONTROL JOINT OR CONSTRUCTION JOINT
CL	CLOSET OR CENTER LINE
CLS	CELING
CLR	CLEAR
CMU	CONCRETE MASONRY UNIT
COL	COLUMN
CONC	CONCRETE
C	CARPET
CR	CORROSION RESISTANT
CGMT	CASEMENT
C.T.	CERAMIC TILE
D	DRYER
DBL	DOUBLE
DN	DOUBLE HING
DN	DIMENSION
DISP	DISPOSAL
DN	DOWN
DR	DOOR
DS	DOWNSPOUT
DW	DISH WASHER
DWG	DRAWING
E	EAST
EA	ELEVATION
ELEC	ELECTRICAL
EQ	EQUAL
EXT	EXTERIOR
FAU	FORCED AIR UNIT
FC	FLOOR CHANGE
F.D.	FLOOR DRAIN
F.FL	FINISH FLOOR LINE
F.G.	FINISHED GRADE
FLR	FLOORING
FL	FLOURESCENT (LIGHT)
FND	FOUNDATION
F.Z.S.	FACE OF STUD
FTG	FOOTING
FX	FIXED GLASS
GA	GALVANIZED
GAR	GARAGE
G.B.	GYP(SUM) BOARD
GD	GRADE OR GRADING
G.D./D.	GARAGE DOOR OPENER
GFI	GROUND FAULT INTERRUPTER
GL	GLASS OR GLAZING
GYP BD	GYP(SUM) BOARD
HB	HOSE BIBB
HD	HEAD OR HARD
HDR	HEADER
HGT	HEIGHT
HVAC	HEATING/VENTILATING/AIR COND.
HWD	HARDWOOD
INT	INTERIOR
IST	ISLET
JT	JOINT
KIT	KITCHEN
L	LENGTH
LA	LAUNDRY
LAV	LAVATORY
LVR	LOOVER
MAX	MAXIMUM
MCH	MECHANICAL
MFR.	MANUFACTURER
MIN	MINIMUM
MISC	MISCELLANEOUS
N	NORTH
N.T.S.	NOT TO SCALE
O.G.D.	OVERHEAD GARAGE DOOR
OH	OVERHEAD
OPT	OPTIONAL
PAR	PARALLEL
P.B.	PUSH BUTTON
PDR	POUNDER
PF	PEDESTAL
PL	PLATE
PR	PAIR
PT.	PRESSURE TREATED WOOD
PVC	POLY(VINYL CHLORIDE) PIPE
PMT	PAVEMENT
PSE	PRE-WIRE
PXD	PLYWOOD
R	RISER
RA	RETURN AIR GRILL
R	RISER
REF	REFERENCE
REFR	REFRIGERATOR
REQ	REQUIRED
S	SOUTH
S.D.	SMOKE DETECTOR
S.F.	SQUARE FEET
S.G.D.	SLIDING GLASS DOOR
SH	SINGLE HING OR SHELF
SH	SIMILAR
SL	SLOPE / SLIDING
SHP	SHELF AND POLE
SPEC	SPECIFICATIONS
STD	STANDARD
STR	STRUCTURAL
SQ	SQUARE
S.M.	SINGLE
S4S	SMOOTH FOUR SIDES
T	TREAD (AT STAIRS) OR TILE
T.O.C.	TOP OF CURB
TV	TELEVISION
TYP	TYPICAL
UNCL.	UNLESS NOTED OTHERWISE
V.B.	VAPOR BARRIER
VERT	VERTICAL
V.T.R.	VENT THRU ROOF
W	WASHING MACHINE
W	WOOD
WH	WINDOW
WH	WATER HEATER
WI	WROUGHT IRON
W/IN	WALK-IN CLOSET
W/O	WITH OR WITHOUT
W/	WATERPROOFING(S)
WH	WELDED WIRE MESH
PL	PROPERTY LINE
Ø	ROUND / DIAMETER
I	AND
G	CENTERLINE
#	FOUND / NUMBER

INDEX

MODEL 'HAYDEN'			
0	TITLE SHEET / COVER SHEET	1 K	FRONT ELEVATION 'K'
0.1	QUICK VIEW	1.1 K	ROOF PLAN 'K'
0.2	QUICK VIEW	2K	SIDE AND REAR ELEVATIONS 'K'
1 A	FRONT ELEVATION 'A'	2.1 K	SIDE AND REAR ELEVATIONS 'K'-
1.1 A	ROOF PLAN 'A'		W/ CRAWL SPACE
2 A	SIDE AND REAR ELEVATIONS 'A'	2.2 K	SIDE AND REAR ELEVATIONS 'K'-
2.1 A	SIDE AND REAR ELEVATIONS 'A'-		W/ BASEMENT
	W/ CRAWL SPACE	3 MS K	MONOLITHIC SLAB PLAN 'K'
2.2 A	SIDE AND REAR ELEVATIONS 'A'-	3 SW K	STEM WALL PLAN 'K'
	W/ BASEMENT	3 CS K	CRAWL SPACE PLAN 'K'
3 MS A	MONOLITHIC SLAB PLAN 'A'	3 BS K	BASEMENT PLAN 'K'
3 SW A	STEM WALL PLAN 'A'	4 K	1ST FLOOR PLAN 'K'
3 CS A	CRAWL SPACE PLAN 'A'	5 K	2ND FLOOR PLAN 'K'
3 BS A	BASEMENT PLAN 'A'		
4 A	1ST FLOOR PLAN 'A'	1 P	FRONT ELEVATION 'P'
5 A	2ND FLOOR PLAN 'A'	1.1 P	ROOF PLAN 'P'
		2P	SIDE AND REAR ELEVATIONS 'P'
1 B	FRONT ELEVATION 'B'	2.1 P	SIDE AND REAR ELEVATIONS 'P'-
1.1 B	ROOF PLAN 'B'		W/ CRAWL SPACE
2 B	SIDE AND REAR ELEVATIONS 'B'	2.2 P	SIDE AND REAR ELEVATIONS 'P'-
2.1 B	SIDE AND REAR ELEVATIONS 'B'		W/ BASEMENT
	W/ CRAWL SPACE	3 MS P	MONOLITHIC SLAB PLAN 'P'
2.2 B	SIDE AND REAR ELEVATIONS 'B'-	3 SW P	STEM WALL PLAN 'P'
	W/ BASEMENT	3 CS P	CRAWL SPACE PLAN 'P'
3 MS B	MONOLITHIC SLAB PLAN 'B'	3 BS P	BASEMENT PLAN 'P'
3 SW B	STEM WALL PLAN 'B'	4 P	1ST FLOOR PLAN 'P'
3 CS B	CRAWL SPACE PLAN 'B'	5 P	2ND FLOOR PLAN 'P'
3 BS B	BASEMENT PLAN 'B'		
4 B	1ST FLOOR PLAN 'B'	1 R	FRONT ELEVATION 'R'
5 B	2ND FLOOR PLAN 'B'	1.1 R	ROOF PLAN 'R'
		2R	SIDE AND REAR ELEVATIONS 'R'
1 F	FRONT ELEVATION 'F'	2.1 R	SIDE AND REAR ELEVATIONS 'R'-
1.1 F	ROOF PLAN 'F'		W/ CRAWL SPACE
2 F	SIDE AND REAR ELEVATIONS 'F'	2.2 R	SIDE AND REAR ELEVATIONS 'R'-
2.1 F	SIDE AND REAR ELEVATIONS 'F'-		W/ BASEMENT
	W/ CRAWL SPACE	3 MS R	MONOLITHIC SLAB PLAN 'R'
2.2 F	SIDE AND REAR ELEVATIONS 'B'-	3 SW R	STEM WALL PLAN 'R'
	W/ BASEMENT	3 CS R	CRAWL SPACE PLAN 'R'
3 MS F	MONOLITHIC SLAB PLAN 'F'	3 BS R	BASEMENT PLAN 'R'
3 SW F	STEM WALL PLAN 'F'	4 R	1ST FLOOR PLAN 'R'
3 CS F	CRAWL SPACE PLAN 'F'	5 R	2ND FLOOR PLAN 'R'
3 BS F	BASEMENT PLAN 'F'		
4 F	1ST FLOOR PLAN 'F'	1 A S	BUILDING SECTIONS
5 F	2ND FLOOR PLAN 'F'	1.1 A S	BUILDING SECTIONS
		1.2 A S	BUILDING SECTIONS
		1.3 A S	BUILDING SECTIONS
		6	BASEMENT UTILITY PLAN
		7	1ST FLOOR UTILITY PLAN
		8	2ND FLOOR UTILITY PLAN
		76	ARCHITECTURAL SHEETS

ALL CONSULTANT DRAWINGS ACCOMPANYING THESE ARCHITECTURAL DRAWINGS HAVE NOT BEEN PREPARED BY OR UNDER THE DIRECTION OF GMD DESIGN GROUP, INC. GMD DESIGN GROUP INC. THEREFORE ASSUMES NO LIABILITY FOR THE COMPLETENESS OR CORRECTNESS OF THESE DRAWINGS.

BUILDING CODE COMPLIANCE / PROJECT INFORMATION

ALL CONSTRUCTION TO COMPLY WITH LOCAL CODES AND ORDINANCES CURRENTLY IN USE WITH THE LOCAL JURISDICTION.

APPLICABLE CODES:
FOLLOW ALL APPLICABLE STATE AND LOCAL CODES.
2018 NORTH CAROLINA STATE SUPPLEMENTS AND AMENDMENTS

CONTRACTOR AND BUILDER SHALL REVIEW ENTIRE PLAN TO VERIFY CONFORMANCE WITH ALL CURRENT APPLICABLE CODES AND ORDINANCES AT TIME OF CONSTRUCTION. BY USING THESE DRAWINGS FOR CONSTRUCTION IT IS UNDERSTOOD THAT CONFORMANCE WITH ALL APPLICABLE CODES IS THE RESPONSIBILITY OF THE BUILDER AND CONTRACTOR.

PRODUCT:
SINGLE FAMILY RESIDENCE

OCCUPANCY CLASSIFICATION
RESIDENTIAL R-3

CONSTRUCTION TYPE:
TYPE VB

GENERAL NOTES DESIGNER NORTH CAROLINA:

THESE DOCUMENTS ARE THE PROPERTY OF THE DESIGNER AND SHALL NOT BE COPIED, DUPLICATED, ALTERED, MODIFIED OR REVISED IN ANY WAY WITHOUT THE EXPRESSED WRITTEN APPROVAL OF THE DESIGNER.

CONTRACTOR SHALL VERIFY ALL CONDITIONS AND DIMENSIONS AT THE SITE AND ALL INCONSISTENCIES SHALL BE BROUGHT TO THE ATTENTION OF THE DEVELOPER AND THE DESIGNER BEFORE PROCEEDING WITH WORK.

ANY ERRORS OR OMISSIONS FOUND IN THESE DRAWINGS SHALL BE BROUGHT TO DEVELOPERS AND DESIGNERS ATTENTION IMMEDIATELY.

DO NOT SCALE DRAWINGS. WRITTEN DIMENSIONS TAKE PRECEDENCE OVER SCALED DIMENSIONS.

ALL DIMENSIONS ARE TO FACE OF STUD OR TO FACE OF FRAMING UNLESS OTHERWISE NOTED.

ALL TRUSS DRAWINGS TO BE REVIEWED AND APPROVED BY THE STRUCTURAL ENGINEER PRIOR TO ISSUANCE OF BUILDING PERMIT.

ALL OR EQUAL SUBSTITUTIONS MUST BE SUBMITTED TO AND APPROVED BY CITY BUILDING OFFICIAL PRIOR TO INSTALLATION.

ALL ANGLED PARTITIONS ARE 45 DEGREES UNLESS OTHERWISE NOTED.

PROVIDE FIREBLOCKING. (PER LOCAL CODES)

ALL ELECTRICAL AND MECHANICAL EQUIPMENT AND METERS ARE SUBJECT TO RELOCATION DUE TO FIELD CONDITIONS, CONTRACTOR TO VERIFY.

PROVIDE BLOCKING AND/OR BACKING AT ALL TONEL BAR, TONEL RING AND/OR TOILET PAPER HOLDER LOCATIONS, AS SHOWN PER PLAN. TYPICAL AT ALL BATHROOMS AND POWDER ROOMS. VERIFY LOCATIONS AT FRAMING WALK.

ELASTOMERIC SHEET WATERPROOFING: FURNISH AND INSTALL ALL WATERPROOFING COMPLETE. A 40 MIL. SELF-ADHERING MEMBRANE OF RUBBERIZED ASPHALT INTEGRALLY BONDED TO POLYETHYLENE SHEETING, OR EQUAL. INSTALL PER MANUFACTURER'S AND TRADE ASSOCIATION'S PRINTED INSTALLATION INSTRUCTIONS. 6" MINIMUM LAP AT ALL ADJACENT WALL SURFACES.

TO THE BEST OF THE DESIGNER'S KNOWLEDGE THESE DOCUMENTS ARE IN CONFORMANCE WITH THE REQUIREMENTS OF THE BUILDING AUTHORITIES HAVING JURISDICTION OVER THIS TYPE OF CONSTRUCTION AND OCCUPANCY.

SHOP DRAWING REVIEW AND DISTRIBUTION, ALONG WITH PRODUCT SUBMITTALS, REQUESTED IN THE CONSTRUCTION DOCUMENTS, SHALL BE THE SOLE RESPONSIBILITY OF THE GENERAL CONTRACTOR, UNLESS DIRECTED OTHERWISE UNDER A SEPARATE AGREEMENT.

DEVIATIONS FROM THESE DOCUMENTS IN THE CONSTRUCTION PHASE SHALL BE REVIEWED BY THE DESIGNER AND THE OWNER PRIOR TO THE START OF WORK IN QUESTION. ANY DEVIATIONS FROM THESE DOCUMENTS WITHOUT PRIOR REVIEW, SHALL BE THE SOLE RESPONSIBILITY OF THE GENERAL CONTRACTOR.

THE GENERAL CONTRACTOR SHALL BE RESPONSIBLE FOR ALL WORK AND MATERIALS REPRESENTED ON THESE DOCUMENTS INCLUDING THE WORK AND MATERIALS FURNISHED BY SUBCONTRACTORS AND VENDORS.

BUILDER SET:

THE SCOPE OF THIS SET OF PLANS IS TO PROVIDE A "BUILDER'S SET" OF CONSTRUCTION DOCUMENTS AND GENERAL NOTES HERINAFTER REFERRED TO AS "PLANS". THIS SET OF PLANS IS SUFFICIENT TO OBTAIN A BUILDING PERMIT; HOWEVER, ALL MATERIALS AND METHODS OF CONSTRUCTION NECESSARY TO COMPLETE THE PROJECT ARE NOT NECESSARILY DESCRIBED. THE PLANS DELINEATE AND DESCRIBE ONLY LOCATIONS, DIMENSIONS, TYPES OF MATERIALS, AND GENERAL METHODS OF ASSEMBLING OR FASTENING. THEY ARE NOT INTENDED TO SPECIFY PARTICULAR PRODUCTS OR OTHER METHODS OF ANY SPECIFIC MATERIALS, PRODUCT OR METHOD. THE IMPLEMENTATION OF THE PLANS REQUIRES A CLIENT / CONTRACTOR THOROUGHLY KNOWLEDGEABLE WITH THE APPLICABLE BUILDING CODES AND METHODS OF CONSTRUCTION SPECIFIC TO THIS PRODUCT TYPE AND TYPE OF CONSTRUCTION.

CONSTRUCTION REQUIREMENTS AND QUALITY: PROVIDE WORK OF THE SPECIFIC QUALITY, WHERE QUALITY LEVEL IS NOT INDICATED, PROVIDE WORK OF QUALITY CUSTOMARY IN SIMILAR TYPES OF WORK. WHERE THE PLANS AND SPECIFICATIONS, CODES, LAWS, REGULATIONS, MANUFACTURER'S RECOMMENDATIONS OR INDUSTRY STANDARDS REQUIRE WORK OF HIGHER QUALITY OR PERFORMANCE, PROVIDE WORK COMPLYING WITH THOSE REQUIREMENTS AND QUALITY. WHERE TWO OR MORE QUALITY PROVISIONS OF THOSE REQUIREMENTS CONFLICT WITH THE MOST STRINGENT REQUIREMENT; WHERE REQUIREMENTS ARE DIFFERENT BUT APPARENTLY EQUAL, AND WHERE IT IS UNCERTAIN WHICH REQUIREMENT IS MOST STRINGENT, OBTAIN CLARIFICATION FROM THE GMD DESIGN GROUP BEFORE PROCEEDING.

MINIMUM SUPPLIER TO VERIFY AT LEAST ONE WINDOW IN ALL BEDROOMS TO HAVE A CLEAR OPENABLE AREA OF 4.0 SQ FT. THE MINIMUM NET CLEAR OPENING HEIGHT SHALL BE 22" AND THE MINIMUM NET CLEAR OPENING WIDTH SHALL BE 20". GLAZING TOTAL AREA OF NOT LESS THAN 5.0 SQ FT IN THE CASE OF A GROUND WINDOW AND NOT LESS THAN 5.7 SQ FT IN THE CASE OF AN UPPER STORY WINDOW. (PER N.C.G.C. SECTION R310.1.1)

ALL HANDRAIL BALLUSTERS TO BE SPACED SUCH THAT A 4" SPHERE CANNOT PASS BETWEEN BALLUSTERS. (PER LOCAL CODES)

PROVIDE STAIR HANDRAILS AND GUARDRAILS PER LOCAL CODES.

AREA CALCULATIONS:

MODEL 'HAYDEN' SQUARE FOOTAGES				
AREA	ELEV 'A'	ELEV 'B'	ELEV 'P', 'R'	ELEV 'F', 'K'
1st FLOOR	1066 SF	1066 SF	1066 SF	1066 SF
2nd FLOOR	1445 SF	1445 SF	1445 SF	1445 SF
TOTAL LIVING	2511 SF	2511 SF	2511 SF	2511 SF
GARAGE	422 SF	422 SF	422 SF	422 SF
PORCH	34 SF	104 SF	34 SF	104 SF
OPT. COVERED PORCH	80 SF	80 SF	80 SF	80 SF
OPT. BASEMENT	1006 SF	1006 SF	1006 SF	1006 SF

BASEMENT AREA IS TAKEN TO INSIDE OF CONCRETE WALL

NO:	DATE:	REVISION:
1	04.25.22	

PROFESSIONAL SEAL:

PROJECT TITLE:
40' Series

FOR CONSTRUCTION

CLIENTS NAME:



PROJECT NO: GMD17049

SHEET TITLE:
TITLE SHEET

PRINT DATE:
January 22, 2021

SHEET NO:
0



Front Elevation 'A'
 SCALE: 1/4"=1'-0" AT 22'X34" LAYOUT 1/8"=1'-0" AT 11'X11" LAYOUT



Front Elevation 'B'
 SCALE: 1/4"=1'-0" AT 22'X34" LAYOUT 1/8"=1'-0" AT 11'X11" LAYOUT



Front Elevation 'F'
 SCALE: 1/4"=1'-0" AT 22'X34" LAYOUT 1/8"=1'-0" AT 11'X11" LAYOUT

NO.	DATE:	REVISION:
1	04.25.22	

PROFESSIONAL SEAL:

PROJECT TITLE:
40' Series

FOR CONSTRUCTION



CLIENTS NAME:

PROJECT NO: GMD1049
 SHEET TITLE:
QUICK VIEW

PRINT DATE:
 January 22, 2021

SHEET NO:
0.1

AVAILABLE WITH OPTIONAL
9'-1" FIRST FLOOR PLATE

NOTES AT OPT 9'-1" PLT:

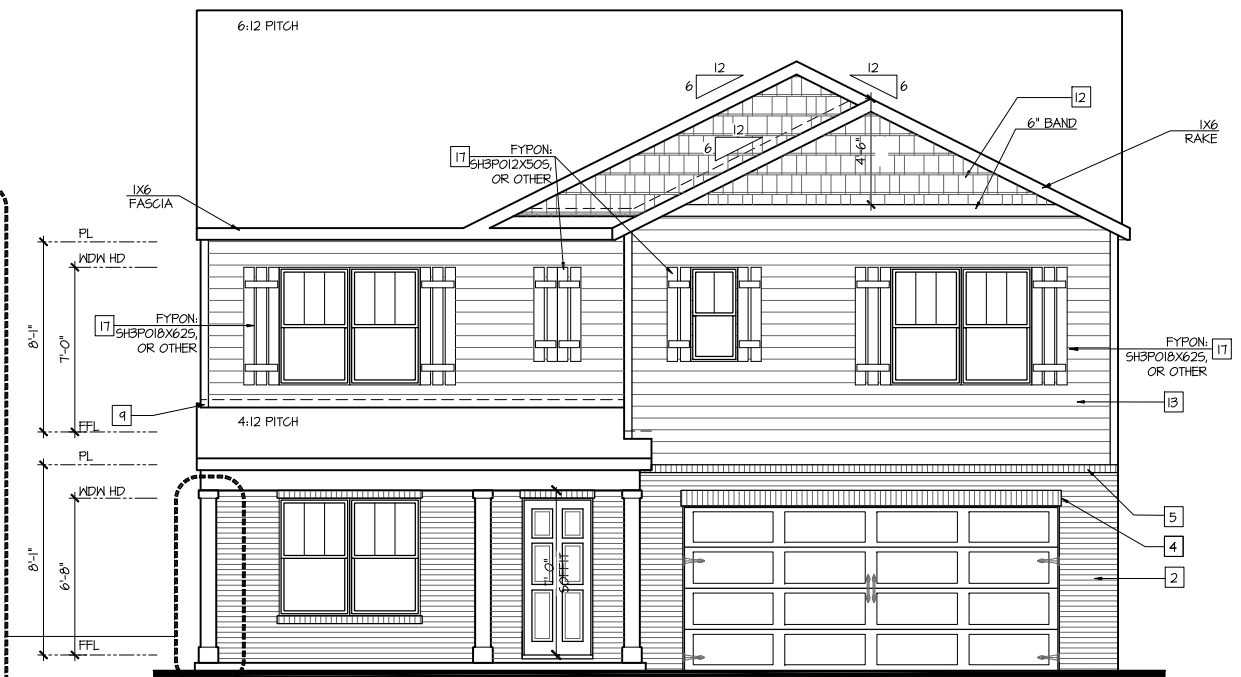
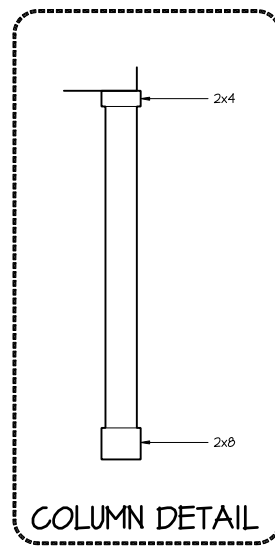
- WDW HT SET AT 7'-6"
- INTERIOR SOFFITS AT 8'-0"
- EXTERIOR SOFFITS AT 8'-0"

NOTES:

- GRADE CONDITIONS MAY VARY FOR INDIVIDUAL SITE FROM THAT SHOWN. BUILDER SHALL VERIFY AND COORDINATE PER ACTUAL SITE CONDITIONS.
- WINDOW HEAD HEIGHTS:
1ST FLOOR = 6'-8" U.N.O. ON ELEVATIONS.
2ND FLOOR = 7'-0" U.N.O. ON ELEVATIONS.
- ROOFING: PITCHED SHINGLES PER DEVELOPER.
- WINDOWS: MANUFACTURER PER DEVELOPER. DIVIDED LITES AS SHOWN ON THE EXTERIOR ELEVATIONS
- ENTRY DOOR: AS SELECTED BY DEVELOPER.
- GARAGE DOORS: AS SELECTED BY DEVELOPER. RAISED PANEL AS SHOWN.
- ALL EXTERIOR MATERIALS TO BE INSTALLED PER MANUFACTURER'S WRITTEN INSTRUCTIONS.
- PROTECTION AGAINST DECAY:
(ALL PORTIONS OF A PORCH, SCREEN PORCH OR DECK FROM THE BOTTOM OF THE HEADER DOWN, INCLUDING POST, RAILS, PICKETS, STEPS AND FLOOR STRUCTURE)
- INSULATION: PER TABLE N102.1.2.
EXTERIOR WALLS: R-15 BATTIS MINIMUM. VERIFY
CEILING WITH ATTIC ABOVE: R-30 BATTIS MINIMUM. VERIFY
FLOOR OVER GARAGE: R-19 BATTIS MINIMUM. VERIFY
ATTIC KNEEWALL: R-19 BATTIS MINIMUM. VERIFY
CRAWL SPACE FLOORING: R-19 BATTIS MINIMUM. VERIFY

KEY NOTES:

- MASONRY:**
- 1 ADHERED STONE VENEER AS SELECTED BY DEVELOPER. HEIGHT AS NOTED.
 - 2 MASONRY FULL BRICK AS SELECTED BY DEVELOPER. HEIGHT AS NOTED.
 - 3 MASONRY FULL STONE AS SELECTED BY DEVELOPER. HEIGHT AS NOTED.
 - 4 8" SOLDIER COURSE.
 - 5 ROWLOCK COURSE
 - 6 N/A
- TYPICALS:**
- 1 CORROSION RESISTANT SCREEN LOUVERED VENTS, SIZE AS NOTED.
 - 2 CODE APPROVED TERMINATION CHIMNEY CAP.
 - 3 CORROSION RESISTANT ROOF TO WALL FLASHING. CODE COMPLIANT FLASHING PER NRC R905.2.8.3
 - 4 STANDING SEAM METAL ROOF. INSTALL PER MANUFACTURER'S WRITTEN INSTRUCTIONS.
 - 5 DECORATIVE WROUGHT IRON. SEE DETAILS.
- SIDING:**
- 1 VINYL SHAKE SIDING PER DEVELOPER WITH VINYL CORNER TRIM PER DEVELOPER. (AT SPECIFIED LOCATIONS: FIBER CEMENT SHAKE SIDING PER DEVELOPER W/ 1X4 CORNER TRIM BOARD.)
 - 2 VINYL LAP SIDING PER DEVELOPER WITH VINYL CORNER TRIM PER DEVELOPER. (AT SPECIFIED LOCATIONS: FIBER CEMENT LAP SIDING PER DEVELOPER W/ 1X4 CORNER TRIM BOARD.)
 - 3 VINYL WAVY SIDING PER DEVELOPER WITH VINYL CORNER TRIM PER DEVELOPER. (AT SPECIFIED LOCATIONS: FIBER CEMENT WAVY SIDING PER DEVELOPER W/ 1X4 CORNER TRIM BOARD.)
 - 4 VINYL BOARD AND BATT SIDING PER DEVELOPER WITH VINYL CORNER TRIM PER DEVELOPER. (AT SPECIFIED LOCATIONS: FIBER CEMENT BOARD AND BATT SIDING PER DEVELOPER W/ 1X4 CORNER TRIM BOARD.)
 - 5 VINYL BOARD AND BATT SIDING PER DEVELOPER WITH VINYL CORNER TRIM PER DEVELOPER. (AT SPECIFIED LOCATIONS: FIBER CEMENT BOARD AND BATT SIDING PER DEVELOPER W/ 1X3 BATTIS AT 12" O.C. PER DEVELOPER W/ 1X4 CORNER TRIM BOARD.)
 - 6 VINYL TRIM SIZE AS NOTED (AT SPECIFIC LOCATIONS: 1X FIBER CEMENT TRIM OR EQUAL, U.N.O. SIZE AS NOTED)
 - 7 FYPON SHUTTERS, TYPE AS SHOWN, SIZE AS NOTED. (AT SPECIFIC LOCATIONS: FALSE VINYL SHUTTERS, TYPE AS SHOWN, SIZE AS NOTED.)
- ALL WINDOWS WHOSE OPENING IS LESS THAN 24" ABOVE THE FINISH FLOOR AND WHOSE OPENING IS GREATER THAN 12" ABOVE THE OUTSIDE WALKING SURFACE MUST HAVE WINDOW OPENING LIMITING DEVICES COMPLYING WITH THE NRC SECTION R312.1 AND R312.2.2.



NO.	DATE	REVISION
1	04.25.22	

PROFESSIONAL SEAL:

PROJECT TITLE:
40' Series

FOR CONSTRUCTION



CLIENTS NAME:
PROJECT NO: GMD1049

SHEET TITLE:
**'HAYDEN'
EXTERIOR
ELEVATIONS
'4EPF-F'**

PRINT DATE:
January 22, 2021

SHEET NO:
1F

ATTIC VENT CALCULATION FOR PLAN 'HAYDEN': 1:150 RATIO.

THE NET FREE VENTILATING AREA SHALL NOT BE LESS THAN 1/150 OF THE AREA OF THE SPACE VENTILATED, PROVIDED THAT AT LEAST 50 PERCENT AND NOT MORE THAN 80 PERCENT OF THE REQUIRED VENTILATING AREA IS PROVIDED BY VENTILATORS LOCATED IN THE UPPER PORTION OF THE SPACE TO BE VENTILATED AT LEAST 3 FEET ABOVE THE EAVE OR CORNICE VENTS WITH THE BALANCE OF THE REQUIRED VENTILATING PROVIDED BY EAVE OR CORNICE VENTS.

EXCEPTIONS:
1. ENCLOSED ATTIC/RAFTER SPACES REQUIRING LESS THAN 1 SQ FT OF VENTILATION MAY BE VENTED WITH CONTINUOUS SOFFIT VENTILATION ONLY.
2. ENCLOSED ATTIC/RAFTER SPACES OVER UNCONDITIONED SPACE MAY BE VENTED WITH CONTINUOUS SOFFIT VENT ONLY.

GENERAL CONTRACTOR SHALL VERIFY THE NET FREE VENTILATION OF THE VENT PRODUCT SELECTED BY OWNER. VERIFY WITH MANUFACTURER OF HIGH AND LOW VENTS TO BE USED FOR MINIMUM CALCULATED VENTS REQUIRED. THE REQUIRED VENTILATION SHALL BE MAINTAINED. PROVIDE INSULATION STOP SUCH THAT INSULATION DOES NOT OBSTRUCT FREE AIR MOVEMENT AS REQUIRED BY THE BUILDING OFFICIAL.

ALL OVERLAP FRAMED ROOF AREAS SHALL HAVE OPENINGS BETWEEN THE ADJACENT ATTICS IN THE ROOF SHEATHING (AS ALLOWED BY THE STRUCTURAL ENGINEER) TO ALLOW PASSAGE AND ATTIC VENTILATION BETWEEN THE TWO OR ISOLATED ATTIC SPACES SHALL BE VENTED INDEPENDENTLY TO CBC REQUIREMENTS.

PER DEVELOPER, AT ALL CANTILEVERED FLOORS, CANTILEVERED ARCHITECTURAL POP-OUTS, AND ANY DOUBLE FRAMING PROJECTIONS THAT ARE SEPARATED FROM THE VENTING CALCULATIONS SHOWN ABOVE, PROVIDE A CONTINUOUS 2" CORROSION RESISTANT SOFFIT VENT AT UNDERSIDE OF FRAMED ELEMENT.

(PER SECTION R302.2)

1 SQUARE INCH VENT FOR EVERY 150 SQUARE INCHES OF CEILING
*144 SQ. IN. = 1 SQ. FT.
BLDG. CEILING (SF) X 144 = BLDG (SQ. IN.)
BLDG. (SQ. IN.) / 150 = SQ. IN. OF VENT REQUIRED

ROOF AREA 1 = 1488 SF
1488 SQ. FT. X 144 = 214272 SQ. IN.
214272 SQ. IN. / 150 = 1428.48 SQ. IN. OF VENT REQ'D

ROOF AREA 2 = 34 SF
34 SQ. FT. X 144 = 5616 SQ. IN.
5616 SQ. IN. / 150 = 37.44 SQ. IN. OF VENT REQ'D

ROOF AREA 3 = 180 SF
180 SQ. FT. X 144 = 25920 SQ. IN.
25920 SQ. IN. / 150 = 172.80 SQ. IN. OF VENT REQ'D

NOTES:

- ALL ROOF DRAINAGE SHALL BE PIPED TO STREET OR APPROVED DRAINAGE FACILITY.
- DASHED LINES INDICATE WALL BELOW.
- LOCATE GUTTER AND DOWNSPOUTS PER BUILDER.
- PITCHED ROOFS AS NOTED.

- TRUSS MANUFACTURER SHALL SUBMIT STRUCTURAL CALCS AND SHOP DRAWINGS TO THE BUILDER'S GENERAL CONTRACTOR AND BUILDING DEPARTMENT FOR REVIEW PRIOR TO FABRICATIONS.
- ALL PLUMBING VENTS SHALL BE COMBINED INTO A MINIMUM AMOUNT OF ROOF PENETRATIONS. ALL ROOF PENETRATIONS SHALL OCCUR TO THE REAR OF THE MAIN RIDGE.

ATTIC VENT CALCULATION FOR PLAN 'HAYDEN': 1:300 RATIO.

AS AN ALTERNATE TO THE 1/150 RATIO LISTED ABOVE, THE NET FREE CROSS-VENTILATION AREA MAY BE REDUCED TO 1/300 WHEN A CLASS I OR II VAPOR RETARDER IS INSTALLED ON THE WARM - IN - WINTER SIDE OF THE CEILING.

GENERAL CONTRACTOR SHALL VERIFY THE NET FREE VENTILATION OF THE VENT PRODUCT SELECTED BY OWNER. VERIFY WITH MANUFACTURER OF HIGH AND LOW VENTS TO BE USED FOR MINIMUM CALCULATED VENTS REQUIRED. THE REQUIRED VENTILATION SHALL BE MAINTAINED. PROVIDE INSULATION STOP SUCH THAT INSULATION DOES NOT OBSTRUCT FREE AIR MOVEMENT AS REQUIRED BY THE BUILDING OFFICIAL.

ALL OVERLAP FRAMED ROOF AREAS SHALL HAVE OPENINGS BETWEEN THE ADJACENT ATTICS IN THE ROOF SHEATHING (AS ALLOWED BY THE STRUCTURAL ENGINEER) TO ALLOW PASSAGE AND ATTIC VENTILATION BETWEEN THE TWO OR ISOLATED ATTIC SPACES SHALL BE VENTED INDEPENDENTLY TO CBC REQUIREMENTS.

PER DEVELOPER, AT ALL CANTILEVERED FLOORS, CANTILEVERED ARCHITECTURAL POP-OUTS, AND ANY DOUBLE FRAMING PROJECTIONS THAT ARE SEPARATED FROM THE VENTING CALCULATIONS SHOWN ABOVE, PROVIDE A CONTINUOUS 2" CORROSION RESISTANT SOFFIT VENT AT UNDERSIDE OF FRAMED ELEMENT.

(PER SECTION R302.2)

1 SQUARE INCH VENT FOR EVERY 300 SQUARE INCHES OF CEILING
*144 SQ. IN. = 1 SQ. FT.
BLDG. CEILING (SF) X 144 = BLDG (SQ. IN.)
BLDG. (SQ. IN.) / 300 = SQ. IN. OF VENT REQUIRED
SQ. IN. OF VENT REQUIRED / 2 = 50% AT HIGH & 50% AT LOW.

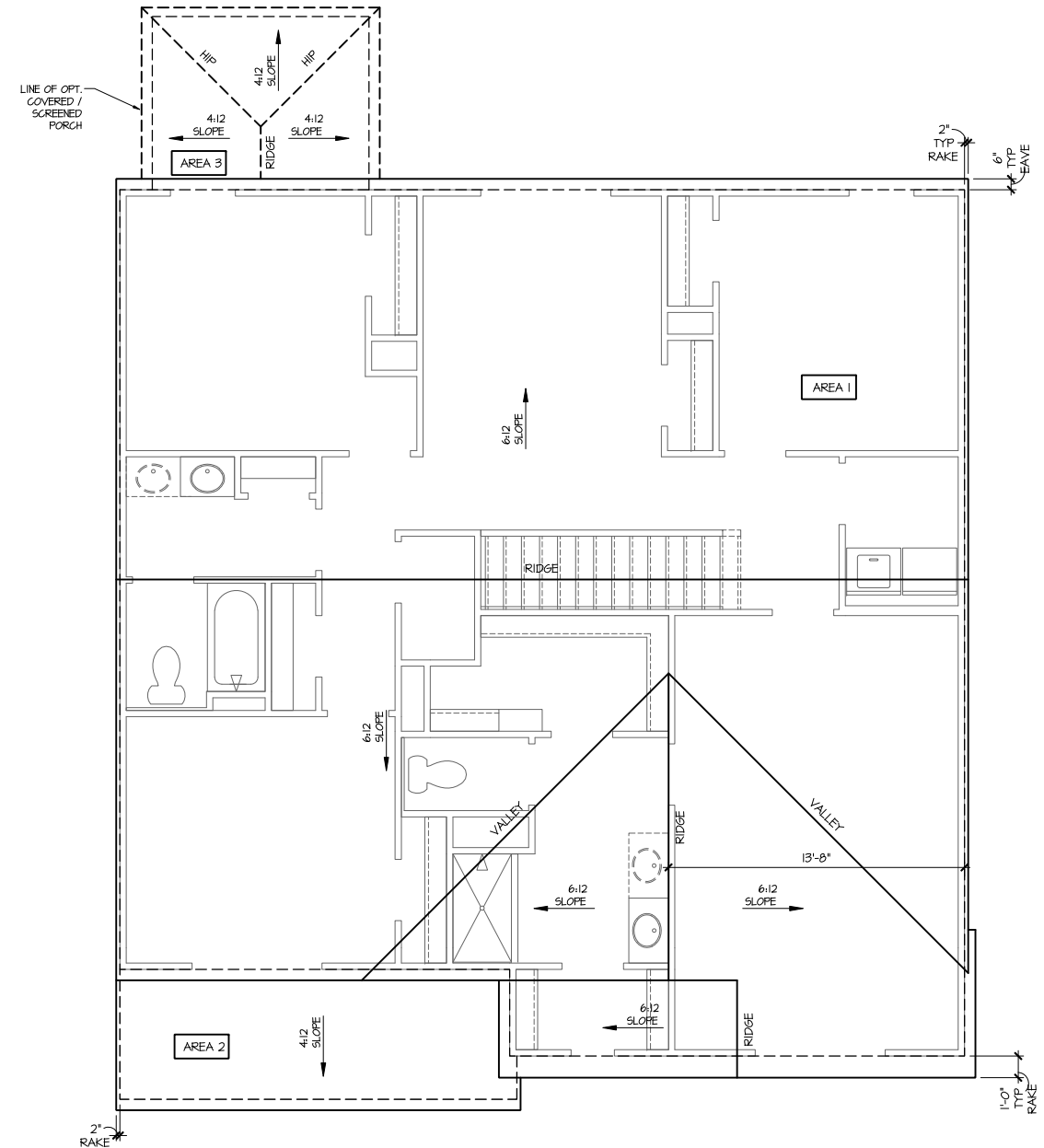
ROOF AREA 1 = 1488 SF
1488 SQ. FT. X 144 = 214272 SQ. IN.
214272 SQ. FT. / 300 = 714.24 SQ. IN. OF VENT REQ'D
714.24 SQ. IN. / 2 = 357.12 SQ. IN. OF VENT AT HIGH & 357.12 SQ. IN. OF VENT AT LOW REQUIRED.

ROOF AREA 2 = 34 SF
34 SQ. FT. X 144 = 5616 SQ. IN.
5616 SQ. FT. / 300 = 18.72 SQ. IN. OF VENT REQ'D
18.72 SQ. IN. / 2 = 9.36 SQ. IN. OF VENT AT HIGH & 9.36 SQ. IN. OF VENT AT LOW REQUIRED.

ROOF AREA 3 = 180 SF
180 SQ. FT. X 144 = 25920 SQ. IN.
25920 SQ. FT. / 300 = 86.40 SQ. IN. OF VENT REQ'D
86.40 SQ. IN. / 2 = 43.20 SQ. IN. OF VENT AT HIGH & 43.20 SQ. IN. OF VENT AT LOW REQUIRED.

BUILDER TO PROVIDE (2) LAYERS OF UNDERLAYMENT AT ANY ROOF W/ A SLOPE FROM 2:12 TO LESS THAN 4:12

AT SINGLE FAMILY DETACHED PLANS: PREFINISHED VENTED SOFFIT AT EAVE PER MANUFACTURER. (VERIFY FIRE SEPARATION DISTANCE FOR SOFFIT PROTECTION PER NCRC SECTION R302.1.1 AND TABLE R302.1)



Roof Plan 'F'

SCALE: 1/4"=1'-0" AT 22"X34" LAYOUT 1/8"=1'-0" AT 11"X17" LAYOUT

NO.	DATE	REVISION
1	04.25.22	

PROFESSIONAL SEAL:

PROJECT TITLE:

40' Series

FOR CONSTRUCTION

CLIENTS NAME:



PROJECT NO: GMD17049

SHEET TITLE:
'HAYDEN'
ROOF PLAN
'4EPF-F'

PRINT DATE:
January 22, 2021

SHEET NO:
1.1 F

NOTES:

- GRADE CONDITIONS MAY VARY FOR INDIVIDUAL SITE FROM THAT SHOWN. BUILDER SHALL VERIFY AND COORDINATE PER ACTUAL SITE CONDITIONS.
- WINDOW HEAD HEIGHTS:
1ST FLOOR = 6'-8" UNO. ON ELEVATIONS.
2ND FLOOR = 7'-0" UNO. ON ELEVATIONS.
- ROOFING: PITCHED SHINGLES PER DEVELOPER.
- WINDOWS: MANUFACTURER PER DEVELOPER. DIVIDED LITES AS SHOWN ON THE EXTERIOR ELEVATIONS
- ENTRY DOOR: AS SELECTED BY DEVELOPER.
- GARAGE DOORS: AS SELECTED BY DEVELOPER. RAISED PANEL AS SHOWN.
- ALL EXTERIOR MATERIALS TO BE INSTALLED PER MANUFACTURER'S WRITTEN INSTRUCTIONS.
- PROTECTION AGAINST DECAY:
(ALL PORTIONS OF A PORCH, SCREEN PORCH OR DECK FROM THE BOTTOM OF THE HEADER DOWN, INCLUDING POST, RAILS, PICKETS, STEPS AND FLOOR STRUCTURE.)
- INSULATION: PER TABLE N1021.2.
EXTERIOR WALLS: R-15 BATTIS MINIMUM. VERIFY
CEILING WITH ATTIC ABOVE: R-38 BATTIS MINIMUM. VERIFY
FLOOR OVER GARAGE: R-14 BATTIS MINIMUM. VERIFY
ATTIC KNEEWALL: R-14 BATTIS MINIMUM. VERIFY
CRACK SPACE FLOORING: R-14 BATTIS MINIMUM. VERIFY

KEY NOTES:

MASONRY:

- ADHERED STONE VENEER AS SELECTED BY DEVELOPER. HEIGHT AS NOTED.
- MASONRY FULL BRICK AS SELECTED BY DEVELOPER. HEIGHT AS NOTED.
- MASONRY FULL STONE AS SELECTED BY DEVELOPER. HEIGHT AS NOTED.
- 8" SOLDIER COURSE.
- ROWLOCK COURSE
- N/A

TYPICALS:

- CORROSION RESISTANT SCREEN LOUVERED VENTS, SIZE AS NOTED.
- CODE APPROVED TERMINATION CHIMNEY CAP.
- CORROSION RESISTANT ROOF TO WALL FLASHING. CODE COMPLIANT FLASHING PER NCRG R405.2.8.3
- STANDING SEAM METAL ROOF, INSTALL PER MANUFACTURER'S WRITTEN INSTRUCTIONS.
- DECORATIVE WROUGHT IRON. SEE DETAILS.

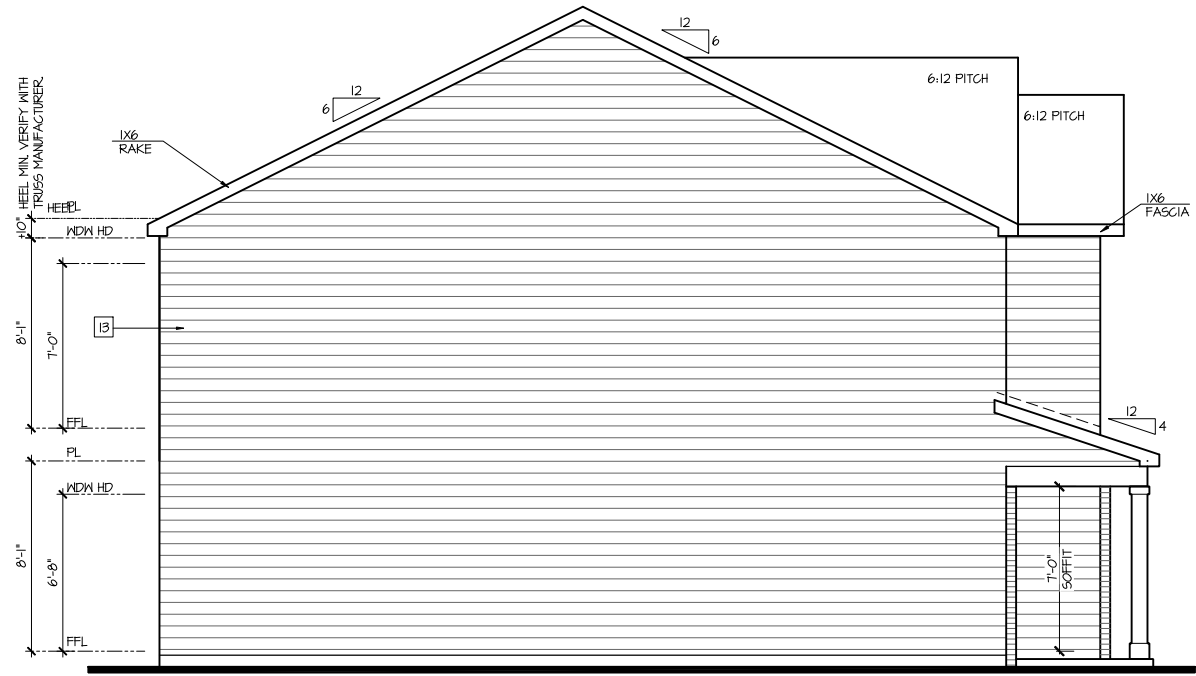
SIDING:

- VINYL SHAKE SIDING PER DEVELOPER WITH VINYL CORNER TRIM PER DEVELOPER.
(AT SPECIFIED LOCATIONS:
FIBER CEMENT SHAKE SIDING PER DEVELOPER W/ 1X4 CORNER TRIM BOARD.)
- VINYL LAP SIDING PER DEVELOPER WITH VINYL CORNER TRIM PER DEVELOPER.
(AT SPECIFIED LOCATIONS:
FIBER CEMENT LAP SIDING PER DEVELOPER W/ 1X4 CORNER TRIM BOARD.)
- VINYL WAVY SIDING PER DEVELOPER WITH VINYL CORNER TRIM PER DEVELOPER.
(AT SPECIFIED LOCATIONS:
FIBER CEMENT WAVY SIDING PER DEVELOPER W/ 1X4 CORNER TRIM BOARD.)
- VINYL BOARD AND BATT SIDING PER DEVELOPER WITH VINYL CORNER TRIM PER DEVELOPER.
(AT SPECIFIED LOCATIONS:
FIBER CEMENT BOARD SIDING W/ 1X3 BATTIS AT 12" O.C. PER DEVELOPER W/ 1X4 CORNER TRIM BOARD.)
- VINYL TRIM SIZE AS NOTED
(AT SPECIFIC LOCATIONS:
1X FIBER CEMENT TRIM OR EQUAL, UNO. SIZE AS NOTED)
- PYRON SHUTTERS, TYPE AS SHOWN. SIZE AS NOTED.
(AT SPECIFIC LOCATIONS: FALSE VINYL SHUTTERS, TYPE AS SHOWN. SIZE AS NOTED.)

ALL WINDOWS WHOSE OPENING IS LESS THAN 24" ABOVE THE FINISH FLOOR AND WHOSE OPENING IS GREATER THAN 12" ABOVE THE OUTSIDE WALKING SURFACE MUST HAVE WINDOW OPENING LIMITING DEVICES COMPLYING WITH THE NCRG SECTION R312.2.1 AND R312.2.2.

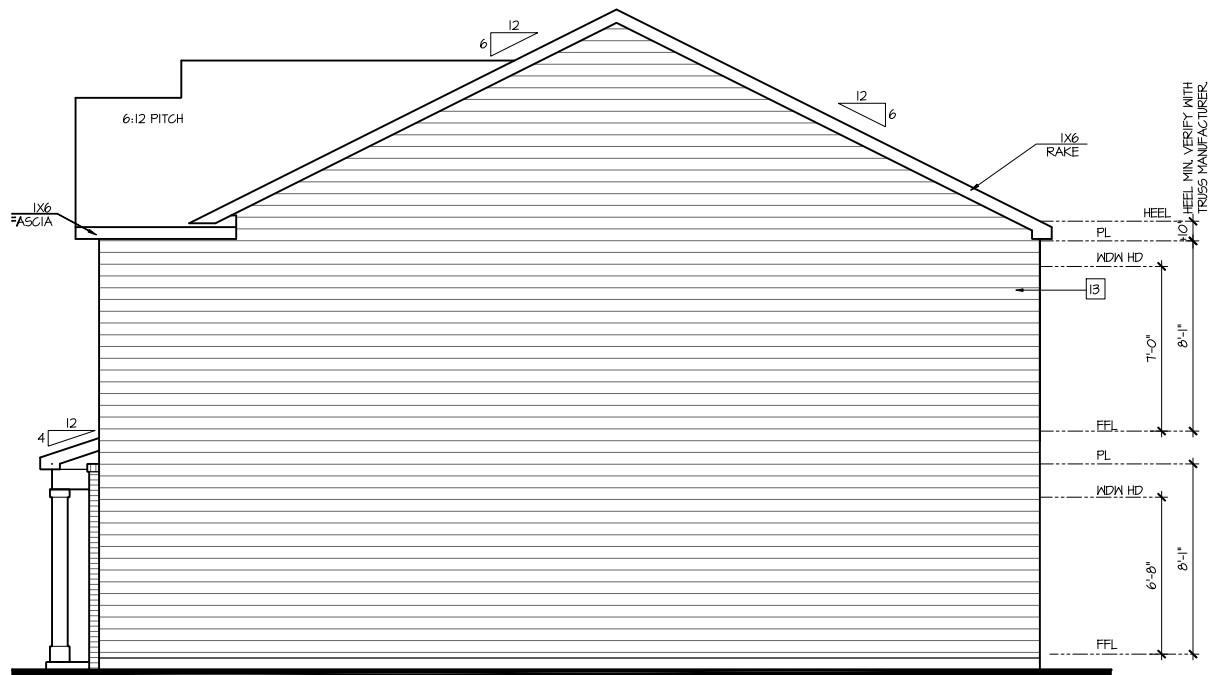
AVAILABLE WITH OPTIONAL
9'-1" FIRST FLOOR PLATE

NOTES AT OPT 9'-1" PLT:
- WDW HT SET AT 7'-6"
- INTERIOR SOFFITS AT 8'-0"
- EXTERIOR SOFFITS AT 8'-0"



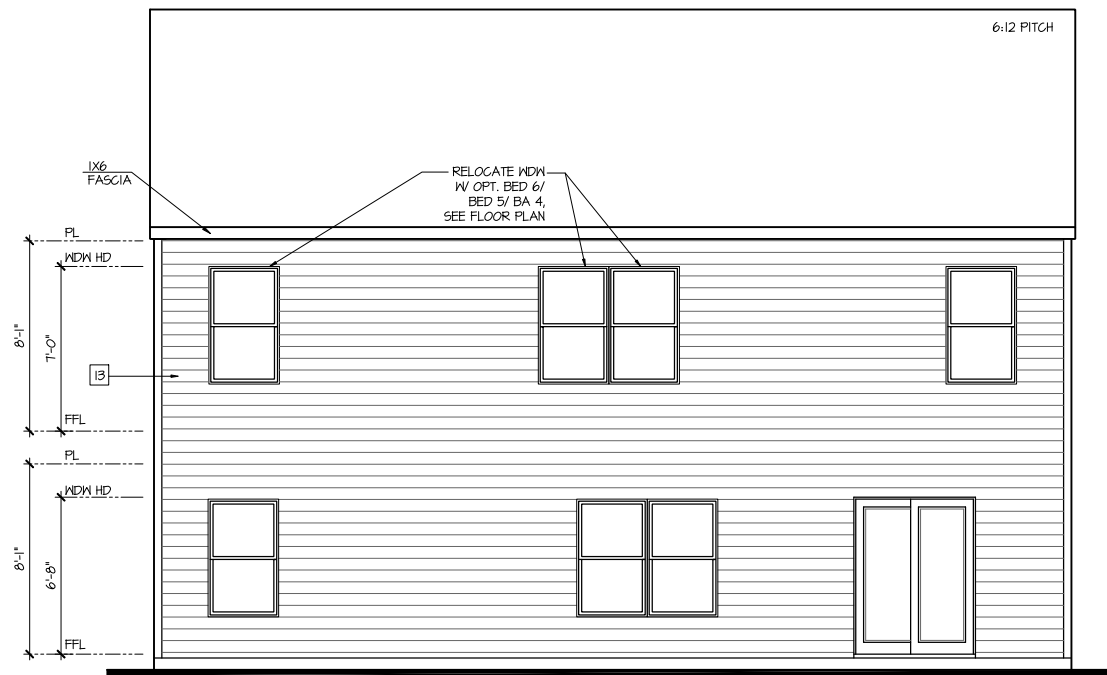
Left Elevation 'F'

SCALE: 1/4"=1'-0" AT 22'X34' LAYOUT 1/8"=1'-0" AT 11'X17' LAYOUT



Right Elevation 'F'

SCALE: 1/4"=1'-0" AT 22'X34' LAYOUT 1/8"=1'-0" AT 11'X17' LAYOUT



Rear Elevation 'F'

SCALE: 1/4"=1'-0" AT 22'X34' LAYOUT 1/8"=1'-0" AT 11'X17' LAYOUT

NO.	DATE	REVISION
1	04.25.22	

PROFESSIONAL SEAL:

PROJECT TITLE:

40' Series

FOR CONSTRUCTION

CLIENTS NAME:



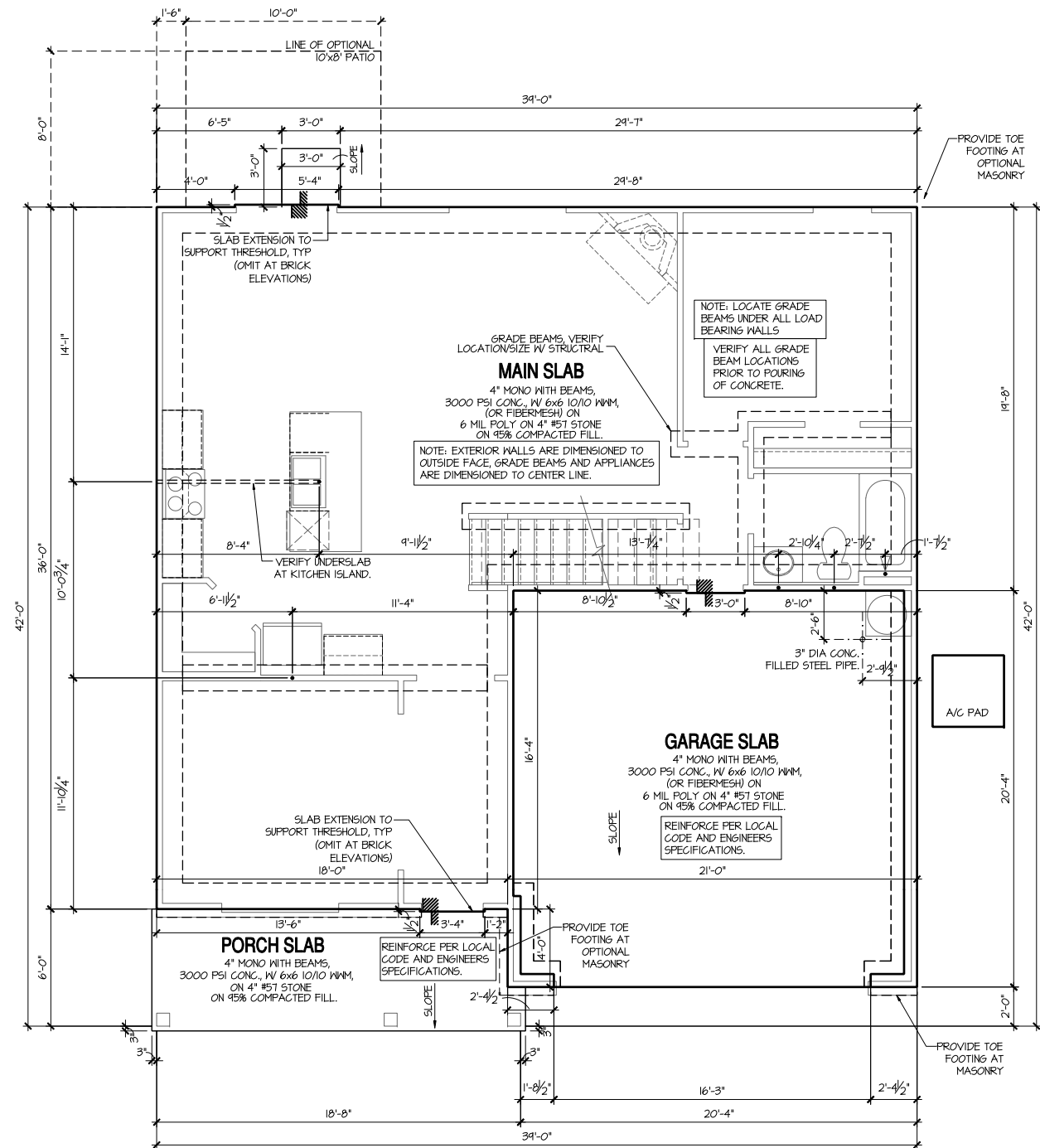
PROJECT NO: GMD17049

SHEET TITLE:
**'HAYDEN'
EXTERIOR
ELEVATIONS
'4EPF-F'**

PRINT DATE:
January 22, 2021

SHEET NO:
2 F

- NOTES FOR NORTH CAROLINA:**
- IRRIGATION SYSTEM SHALL BE DESIGNED TO PREVENT THE SATURATION OF SOIL ADJACENT TO BUILDING.
 - THIS PERIMETER DIMENSION PLAN IS FOR DIMENSIONAL INFORMATION ONLY.
 - SLOPE ALL STOOFS AND HARDSCAPE MATERIAL AWAY FROM BUILDING - TYPICAL.
 - SLOPE GARAGE FLOOR 1/8" PER FOOT TO GARAGE DOOR OPENING.
 - VERIFY CURB CUT BLOCKOUT WITH GARAGE DOOR MANUFACTURER.
 - REFER TO CIVIL DRAWINGS FOR FINISH SURFACE ELEVATIONS.
 - FINISH GRADE SHALL PROVIDE POSITIVE DRAINAGE AWAY FROM BUILDING. REFER TO SOILS REPORT FOR ANY SPECIFIC REQUIREMENTS.
 - REFER TO STRUCTURAL DRAWINGS FOR HOLDDOWNS, FOOTING DETAILS, CURB THICKNESS, AND INFORMATION NOT SHOWN ON THIS PLAN.
 - PLUMBING FIXTURES, VENT LOCATIONS, ETC. ARE APPROXIMATE. CONTRACTOR TO VERIFY COUNT AND LOCATION.
 - VERIFY THE SUPPLY FOR SEPARATE CONDUITS TO ANY ISLAND FOR GAS, WATER OR ELECTRIC.
 - VERIFY ALL DOOR THRESHOLD HEIGHTS TO HARD SURFACES.
8 1/4" MAX AT INSWING DOORS. (PER NRC SECTION R311.3.1)
 - TYP STOOFF AT INSWING/SLIDER DOORS: 36" DEEP BY THE WIDTH OF THE DOOR SERVED, MINIMUM. (PER NRC SECTION R311.3) PROVIDE A SLIP-RESISTANT FINISH.
 - FOR THE USE OF EXPOSED GAS WATER HEATERS IN THE GARAGE, PROTECT THE WATER HEATER WITH 3" DIA CONCRETE FILLED STEEL PIPE EMBEDDED INTO CONCRETE FOOTING.
 - SOILS TREATMENT:
BORACARE TERMITICIDE TO BE APPLIED TO FRAMING PER PRODUCT SPECIFICATIONS.
(PROVIDE CHEMICAL TREATMENT FOR PROTECTION FROM TERMITICIDE INVESTIGATION ACCORDING TO THE STANDARDS OF THE NC DEPT OF AGRICULTURE.)
 - WOOD CONTACTING CONCRETE OR MASONRY OR LESS THAN CODE REQUIRED SEPARATION TO GRADE SHALL BE PRESSURE TREATED OR FOUNDATION GRADE REDWOOD. SET ALL EXTERIOR WALL SILLS IN MASTIC.



Monolithic Slab Plan 'F'

SCALE: 1/4"=1'-0" AT 22'x34' LAYOUT 1/8"=1'-0" AT 11'x11' LAYOUT

NO: DATE: REVISION:

04.25.22

PROFESSIONAL SEAL:

PROJECT TITLE:

40' Series

FOR CONSTRUCTION

CLIENTS NAME:



PROJECT NO: GMD1049

SHEET TITLE:

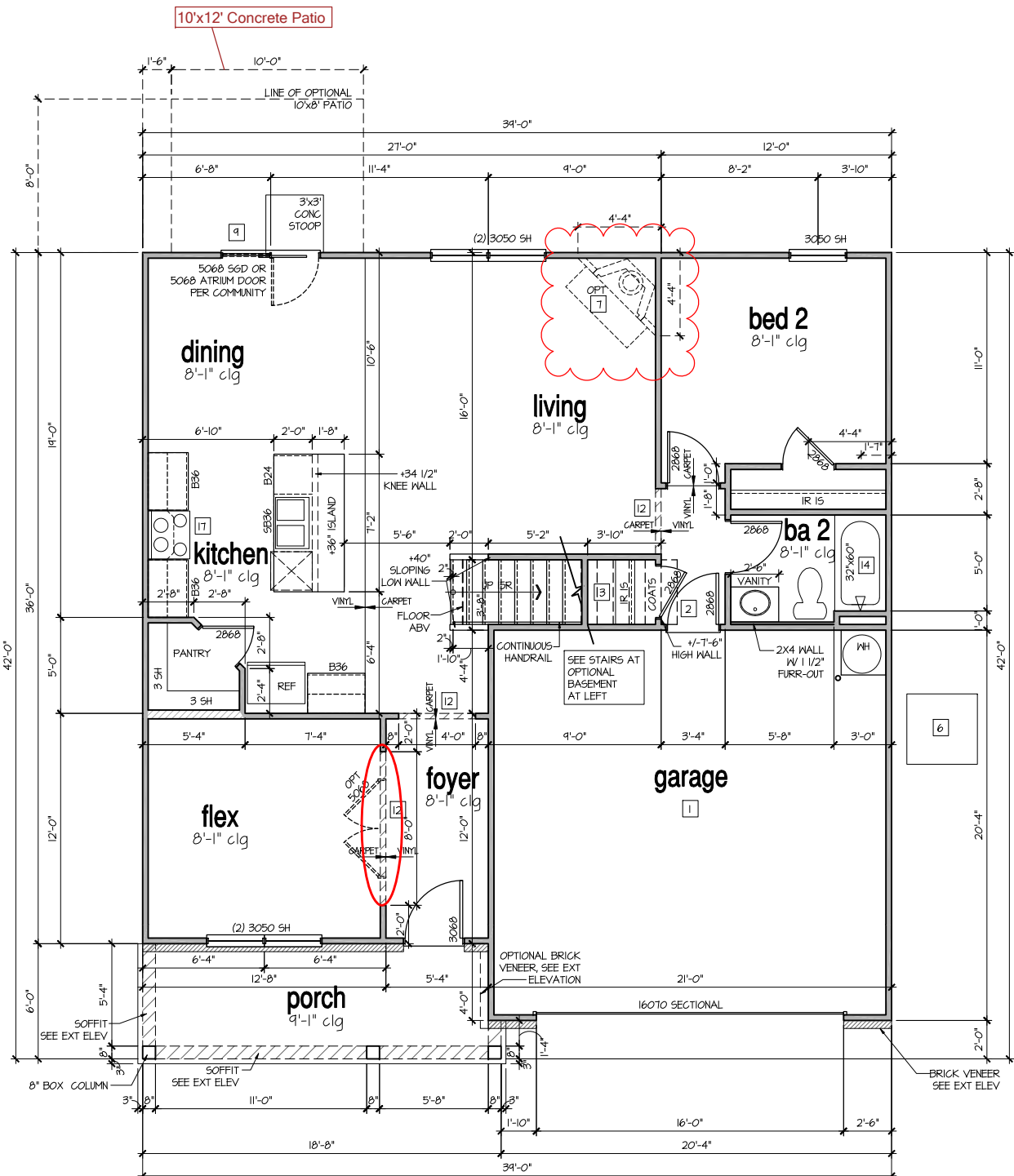
'HAYDEN'
MONOLITHIC
SLAB
PLAN '4EPF-F'

PRINT DATE:

January 22, 2021

SHEET NO:

3 MS F



1st Floor Plan 'F'
SCALE: 1/4"=1'-0" AT 22'x34' LAYOUT 1/8"=1'-0" AT 11'x17' LAYOUT

8'-9 1/2" STAIR NOTE:
(USE 14" T.JI WITH 3/4" PLYWOOD SUBFLOOR)
15 TREADS AT 10" EACH VERIFY
16 RISERS AT +/- 7.50" = 126 1/4" TOTAL
RISE VERIFY

9'-1" STAIR NOTE:
(USE 14" T.JI WITH 3/4" PLYWOOD SUBFLOOR)
16 TREADS AT 10" EACH VERIFY
17 RISERS AT +/- 7.21" = 123 3/4" TOTAL
RISE VERIFY

8'-1" STAIR NOTE:
(USE 14" T.JI WITH 3/4" PLYWOOD SUBFLOOR)
14 TREADS AT 10" EACH VERIFY
15 RISERS AT +/- 7.45" = 111 3/4" TOTAL
RISE VERIFY

- FOR ADDITIONAL NOTES SEE GENERAL NOTES ON TITLE SHEET AND DETAILS.
- WINDOW HEAD HEIGHTS:
1ST FLOOR = 6'-8" U.N.O. ON ELEVATIONS.
2ND FLOOR = 7'-0" U.N.O. ON ELEVATIONS.
ALL DIMENSIONS TO WINDOWS AND DOORS ARE TO CENTERLINE.

WALL LEGEND:

	FULL HEIGHT 2X4 WOOD STUD PARTITION		FULL HEIGHT 2X6 WOOD STUD PARTITION
	BRICK / STONE VENEER		STUD WALL BELOW HEIGHT AND STUD SIZE AS NOTED
	LON GYPSUM BOARD WALL HEIGHT AND STUD SIZE AS NOTED		DRYWALL OPENING HEIGHT AS NOTED ON PLAN

- KEY NOTES FOR NORTH CAROLINA:**
- FIRE PROTECTION:**
- 1 HOUSE TO GARAGE FIRE SEPARATION. GARAGE/HOUSE SEPARATION AT VERTICAL SURFACES SHALL BE PROTECTED WITH ONE (1) LAYER 1/2" GYPSUM BOARD. (PER NCR TABLE R302.6) GARAGE/HOUSE SEPARATION AT HORIZONTAL SURFACES SHALL BE PROTECTED WITH ONE (1) LAYER 5/8" TYPE 'X' GYPSUM BOARD. (PER NCR TABLE R302.6)
 - 2 HOUSE TO GARAGE DOOR SEPARATION. PROVIDE 1-3/8" SOLID CORE DOOR OR APPROVED 20 MINUTE RATED DOOR. (PER NCR SECTION R302.5.1)
 - 3 BENEATH STAIRS AND LANDINGS, 1/2" GYPSUM BOARD ON WALLS AND CEILING OF ENCLOSED ACCESSIBLE AREAS. (PER NCR SECTION R302.1) IN CONCEALED SPACES BETWEEN STAIR STRINGERS PROVIDE FIREBLOCKING PER R302.11
 - 4 GAS WATER HEATER ON 18" HIGH PLATFORM. (PER CHAPTER 5 NCR-PLUMBING)
 - 5 FAU 8'x8' PLATFORM. VERIFY WITH TRUSS MANUFACTURER. (6'-6" MIN. CLEAR HEIGHT TO HORIZONTAL MEMBERS, 2'x6" OVER 2'x4" BOTTOM CHORD. OF TRUSS, VERIFY W/ TRUSSES.)
 - 6 A/C CONDENSER PAD. (VERIFY)
 - 7 PRE-FABRICATED METAL FIREPLACE. INSTALL PER MANUFACTURER'S WRITTEN INSTRUCTIONS.
 - 8 ATTIC ACCESS LARGE ENOUGH TO REMOVE LARGEST PIECE OF EQUIPMENT BUT NOT LESS THAN 30"x22". FIRE RATED ACCESS AS NOTED. (PER NCR 807.1) ATTIC ACCESS LADDER, VERIFY LOCATION AND SIZE WITH TRUSSES. (25 1/2" X 54" SIZE) FOR GARAGE TO ATTIC SEPARATION PER NCR 302.5.1 EXCEPTION.
 - 9 TEMPERED SAFETY GLASS. (PER NCR SECTION 308.4)
 - 10 PLYWOOD SHELF ABOVE WITH DRYWALL FINISH OVER. HEIGHT AS NOTED.
 - 11 HALF WALL, HEIGHT AS NOTED.
 - 12 INTERIOR SOFFITS: FFL = 8'-4" U.N.O. SFL = 7'-6" U.N.O. BATHS:
 - 13 SHOWER. TEMPERED GLASS ENCLOSURE.
 - 14 TUB-SHOWER COMBO. TEMPERED GLASS ENCLOSURE.
 - 15 CERAMIC TILE SHOWER AND FLOOR. TEMPERED GLASS ENCLOSURE.
 - 16 ACRYLIC TUB W/ CERAMIC PLATFORM KITCHEN:
 - 17 30" SLIDE-IN ELECTRICAL RANGE W/ HOOD AND MICRO ADV. VENT PER MANUFACTURER'S WRITTEN INSTRUCTIONS.
 - 18 30" GAS COOKTOP AND HOOD. VENT PER MANUFACTURER'S WRITTEN INSTRUCTIONS.
 - 19 ELECTRIC OVEN WITH MICROWAVE OVEN.

NO.	DATE	REVISION
1	04.25.22	

PROFESSIONAL SEAL:

PROJECT TITLE:
40' Series



PROJECT NO: GMD17049

SHEET TITLE:
**'HAYDEN'
1st FLOOR
PLAN '4EPF-F'**

PRINT DATE:
January 22, 2021

SHEET NO:
4 F

FOR CONSTRUCTION

NO.	DATE	REVISION
1	04.25.22	

PROFESSIONAL SEAL:

PROJECT TITLE:

40' Series

CLIENTS NAME:



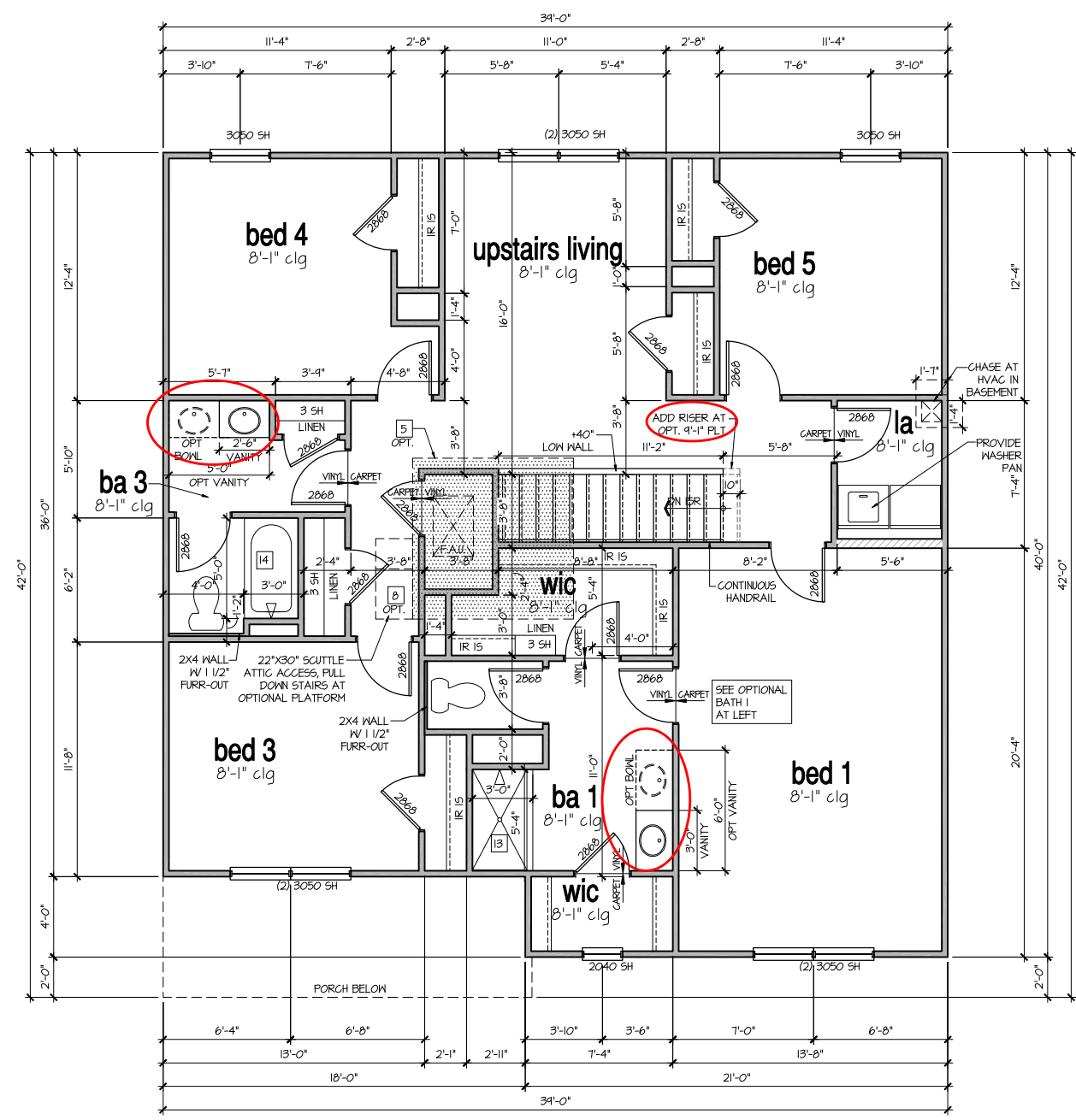
PROJECT NO: GMD17049

SHEET TITLE:
'HAYDEN'
2nd Floor
PLAN '4EPF-F'

PRINT DATE:
January 22, 2021

SHEET NO:
5 F

FOR CONSTRUCTION



2nd Floor Plan 'F'

SCALE: 1/4"=1'-0" AT 22'X34' LAYOUT 1/8"=1'-0" AT 11'X11" LAYOUT

9'-1" STAIR NOTE:
(USE 14" T.J. WITH 3/4" PLYWOOD SUBFLOOR)
16 TREADS AT 10" EACH VERIFY
17 RISERS AT +/- 1.21" = 123 3/4" TOTAL
RISE VERIFY

8'-1" STAIR NOTE:
(USE 14" T.J. WITH 3/4" PLYWOOD SUBFLOOR)
14 TREADS AT 10" EACH VERIFY
15 RISERS AT +/- 1.45" = 111 3/4" TOTAL
RISE VERIFY

- FOR ADDITIONAL NOTES SEE GENERAL NOTES ON TITLE SHEET AND DETAILS.
- WINDOW HEAD HEIGHTS:
1ST FLOOR = 6'-8" U.N.O. ON ELEVATIONS.
2ND FLOOR = 7'-0" U.N.O. ON ELEVATIONS.
ALL DIMENSIONS TO WINDOWS AND DOORS ARE TO CENTERLINE.

WALL LEGEND:

	FULL HEIGHT 2X4 WOOD STUD PARTITION		FULL HEIGHT 2X6 WOOD STUD PARTITION
	BRICK / STONE VENEER		STUD WALL BELOW HEIGHT AND STUD SIZE AS NOTED
	LON GYPSUM BOARD WALL HEIGHT AND STUD SIZE AS NOTED		DRYWALL OPENING HEIGHT AS NOTED ON PLAN

KEY NOTES FOR NORTH CAROLINA:

- FIRE PROTECTION:**
- HOUSE TO GARAGE FIRE SEPARATION. GARAGE/HOUSE SEPARATION AT VERTICAL SURFACES SHALL BE PROTECTED WITH ONE (1) LAYER 1/2" GYPSUM BOARD. (PER NCR TABLE R302.6) GARAGE/HOUSE SEPARATION AT HORIZONTAL SURFACES SHALL BE PROTECTED WITH ONE (1) LAYER 5/8" TYPE 'X' GYPSUM BOARD. (PER NCR TABLE R302.6)
 - HOUSE TO GARAGE DOOR SEPARATION. PROVIDE 1-3/8" SOLID CORE DOOR OR APPROVED 20 MINUTE RATED DOOR. (PER NCR SECTION R302.5.1)
 - BENEATH STAIRS AND LANDINGS, 1/2" GYPSUM BOARD ON WALLS AND CEILING OF ENCLOSED ACCESSIBLE AREAS. (PER NCR SECTION R302.1) IN CONCEALED SPACES BETWEEN STAIR STRINGERS PROVIDE FIREBLOCKING PER R302.11
 - GAS WATER HEATER ON 18" HIGH PLATFORM. (PER CHAPTER 5 NCR-PLUMBING)
 - FAU 8'X8' PLATFORM. VERIFY WITH TRUSS MANUFACTURER. (6'-6" MIN. CLEAR HEIGHT TO HORIZONTAL MEMBERS, 2'X6" OVER 2'X4" BOTTOM CHORD. OF TRUSS, VERIFY W/ TRUSSES.)
 - A/C CONDENSER PAD. (VERIFY)
 - PRE-FABRICATED METAL FIREPLACE. INSTALL PER MANUFACTURER'S WRITTEN INSTRUCTIONS.
 - ATTIC ACCESS LARGE ENOUGH TO REMOVE LARGEST PIECE OF EQUIPMENT BUT NOT LESS THAN 30"X22". FIRE RATED ACCESS AS NOTED. (PER NCR 807.1) ATTIC ACCESS LADDER, VERIFY LOCATION AND SIZE WITH TRUSSES. (25 1/2" X 54" SIZE) FOR GARAGE TO ATTIC SEPARATION PER NCR 302.5.1 EXCEPTION.
 - TEMPERED SAFETY GLASS. (PER NCR SECTION 308.4)
 - PLYWOOD SHELF ABOVE WITH DRYWALL FINISH OVER. HEIGHT AS NOTED.
 - HALF WALL, HEIGHT AS NOTED.
 - INTERIOR SOFFITS: FFL = 8'-4" U.N.O. SFL = 7'-6" U.N.O. BATHS:
 - SHOWER. TEMPERED GLASS ENCLOSURE.
 - TUB-SHOWER COMBO. TEMPERED GLASS ENCLOSURE.
 - CERAMIC TILE SHOWER AND FLOOR. TEMPERED GLASS ENCLOSURE.
 - ACRYLIC TUB W/ CERAMIC PLATFORM
 - KITCHEN:
 - 30" SLIDE-IN ELECTRICAL RANGE W/ HOOD AND MICRO ADV. VENT PER MANUFACTURER'S WRITTEN INSTRUCTIONS.
 - 30" GAS COOKTOP AND HOOD. VENT PER MANUFACTURER'S WRITTEN INSTRUCTIONS.
 - ELECTRIC OVEN WITH MICROWAVE OVEN.

9'-1" STAIR NOTE:
 (USE 1 1/2" T.J.I WITH 3/4" PLYWOOD SUBFLOOR)
 16 TREADS AT 10" EACH VERIFY
 11 RISERS AT +/- 1.21" = 123 3/4" TOTAL
 RISE VERIFY

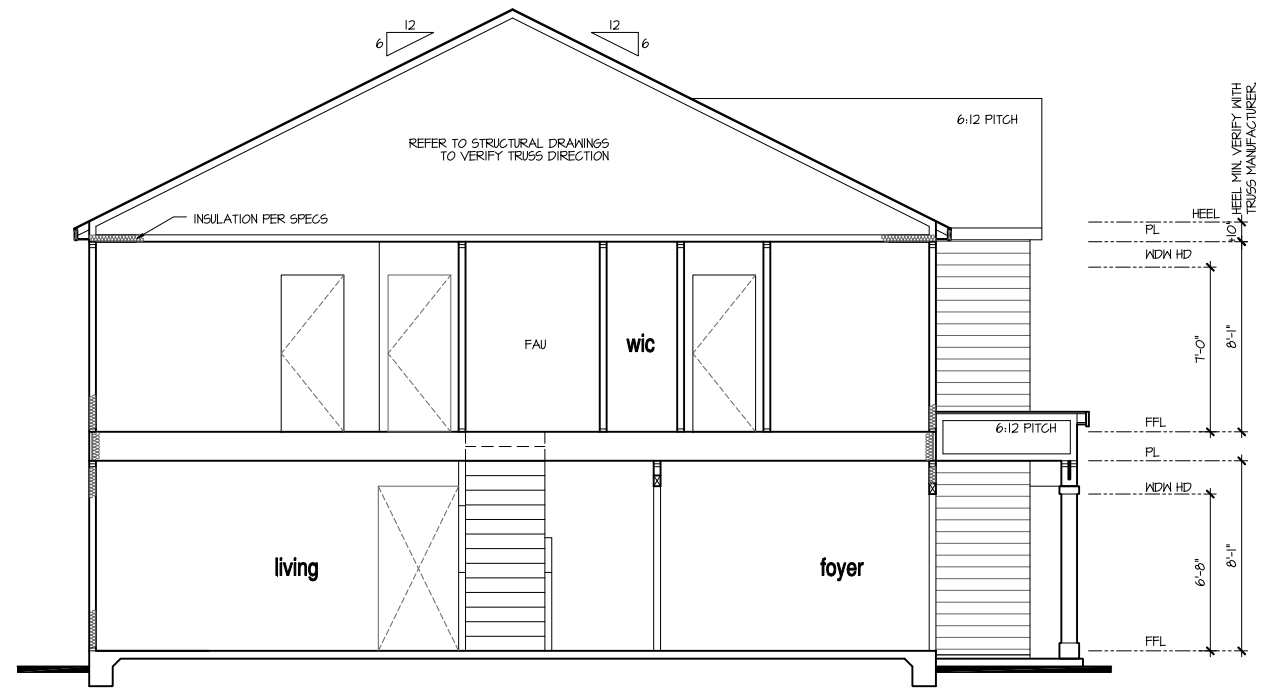
8'-1" STAIR NOTE:
 (USE 1 1/2" T.J.I WITH 3/4" PLYWOOD SUBFLOOR)
 14 TREADS AT 10" EACH VERIFY
 15 RISERS AT +/- 1.45" = 111 3/4" TOTAL
 RISE VERIFY

NOTES:

- REFER TO FLOOR PLAN NOTES FOR TYPICAL FIRE PROTECTION NOTES AND LOCATIONS.
- THESE BUILDING SECTIONS MAY VARY AT ALTERNATE ELEVATION STYLES AND AT "PLAN OPTION" CONDITIONS. REFER TO MAIN FLOOR PLAN AND ALTERNATE FLOOR PLANS FOR INFORMATION NOT SHOWN HERE.
- BUILDING SECTIONS SHOWN HERE DEPICT VOLUME SPACES WITHIN THE STRUCTURE. REFER TO STRUCTURAL DRAWINGS, TRUSS DRAWINGS, STRUCTURAL DETAILS AND CALCULATIONS BY OTHER FOR ALL STRUCTURAL INFO.
- ROOFING: PITCHED SHINGLE ROOF. REFER TO ROOF PLAN FOR TYPICALS.
- WOOD FLOORS: FLOOR SHEATHING OVER FLOOR JOIST. REFER TO STRUCTURAL AND TRUSS DRAWINGS BY OTHERS.
- VERIFY STAIRS MINIMUM AND MAXIMUM REQUIREMENTS FOR CONSTRUCTION CLEARANCES WITH LOCAL CODES.
- INSULATION:
 EXTERIOR WALLS ZONE 3: R-13 BATTS MINIMUM. VERIFY
 EXTERIOR WALLS ZONE 4: R-15 BATTS MINIMUM. VERIFY
 CEILING WITH ATTIC ABOVE COMPRESSED INSULATION: R-30 BATTS MINIMUM. VERIFY
 CEILING WITH ATTIC ABOVE UNCOMPRESSED INSULATION (HEELS IN TRUSSES): R-30 BATTS MINIMUM. VERIFY
 FLOOR OVER GARAGE: R-19 BATTS MINIMUM. VERIFY
 ATTIC KNEEWALL: R-19 BATTS MINIMUM. VERIFY
 CRAWL SPACE FLOORING: R-19 BATTS MINIMUM. VERIFY

PER STATE RESIDENTIAL CODE COMPLIANCE METHOD TO BE DETERMINED BY BUILDER.

WINDOW GLAZING U^F FACTOR: 0.35



Building Section I at Monolithic Slab

SCALE: 1/4"=1'-0" AT 22'X34" LAYOUT 1/8"=1'-0" AT 11'X11" LAYOUT

NO:	DATE:	REVISION:
1	04.25.22	

PROFESSIONAL SEAL:

PROJECT TITLE:

40' Series

FOR CONSTRUCTION

CLIENTS NAME:



PROJECT NO: GMD17049

SHEET TITLE:

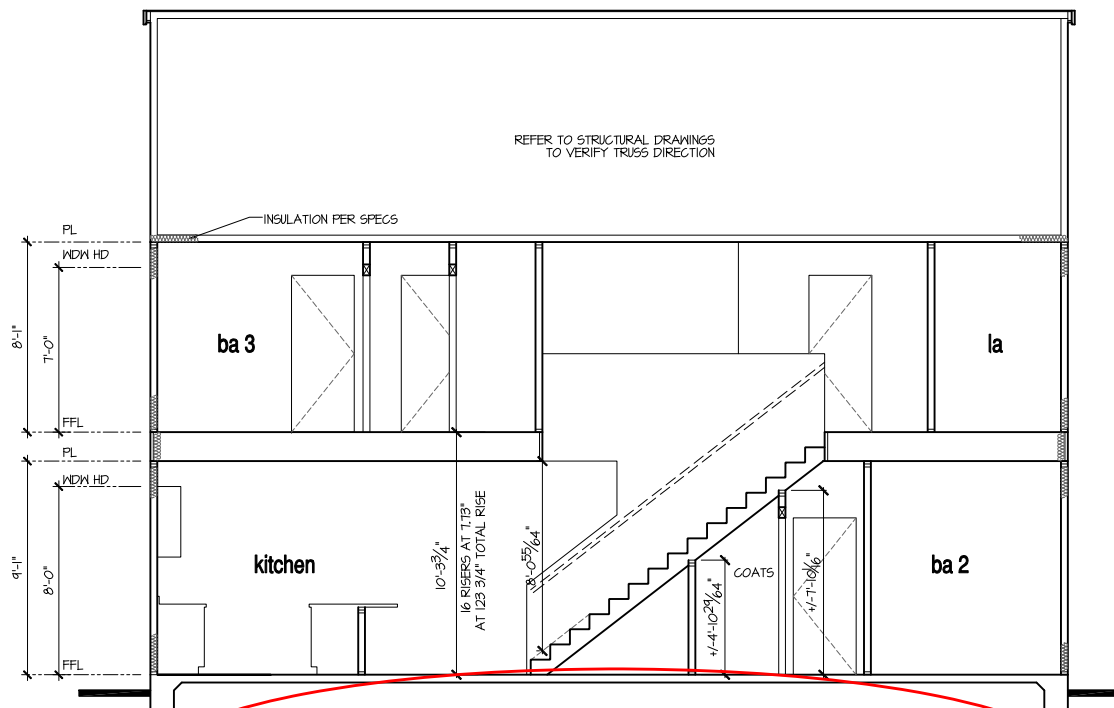
**'HAYDEN'
BUILDING
SECTIONS**

PRINT DATE:

January 22, 2021

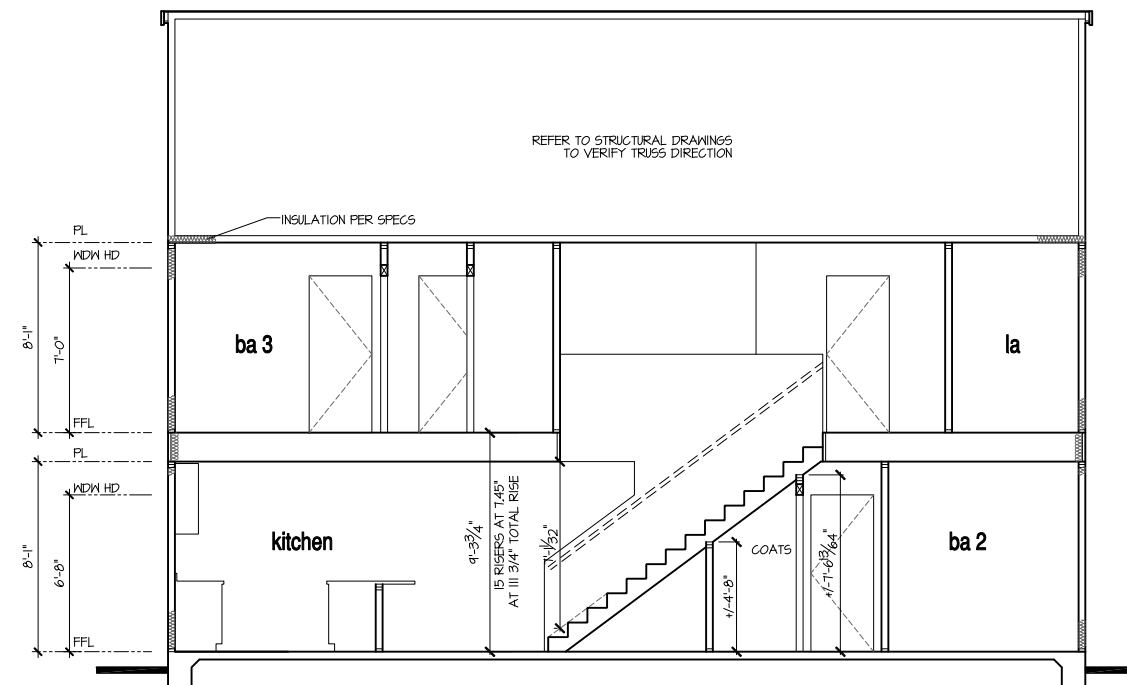
SHEET NO:

1A S



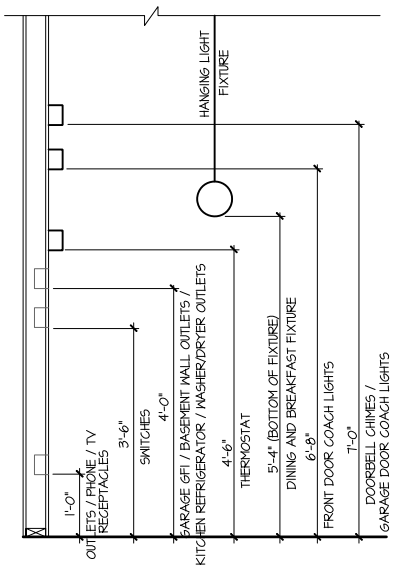
Building Section 2 at Optional 9' Plt

SCALE: 1/4"=1'-0" AT 22'X34" LAYOUT 1/8"=1'-0" AT 11'X11" LAYOUT

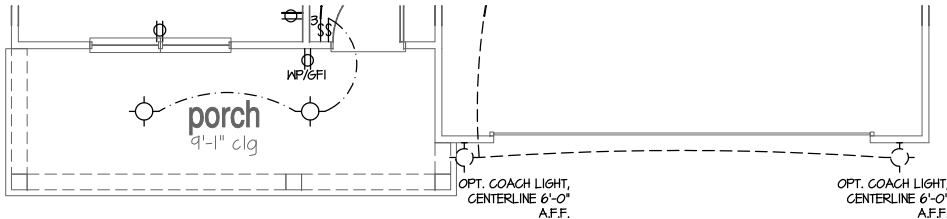


Building Section 2 at Monolithic Slab

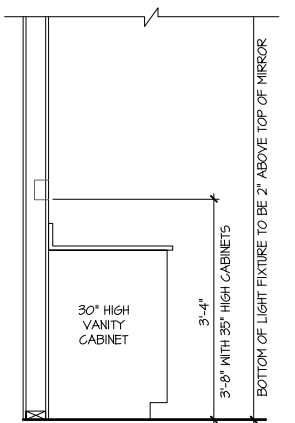
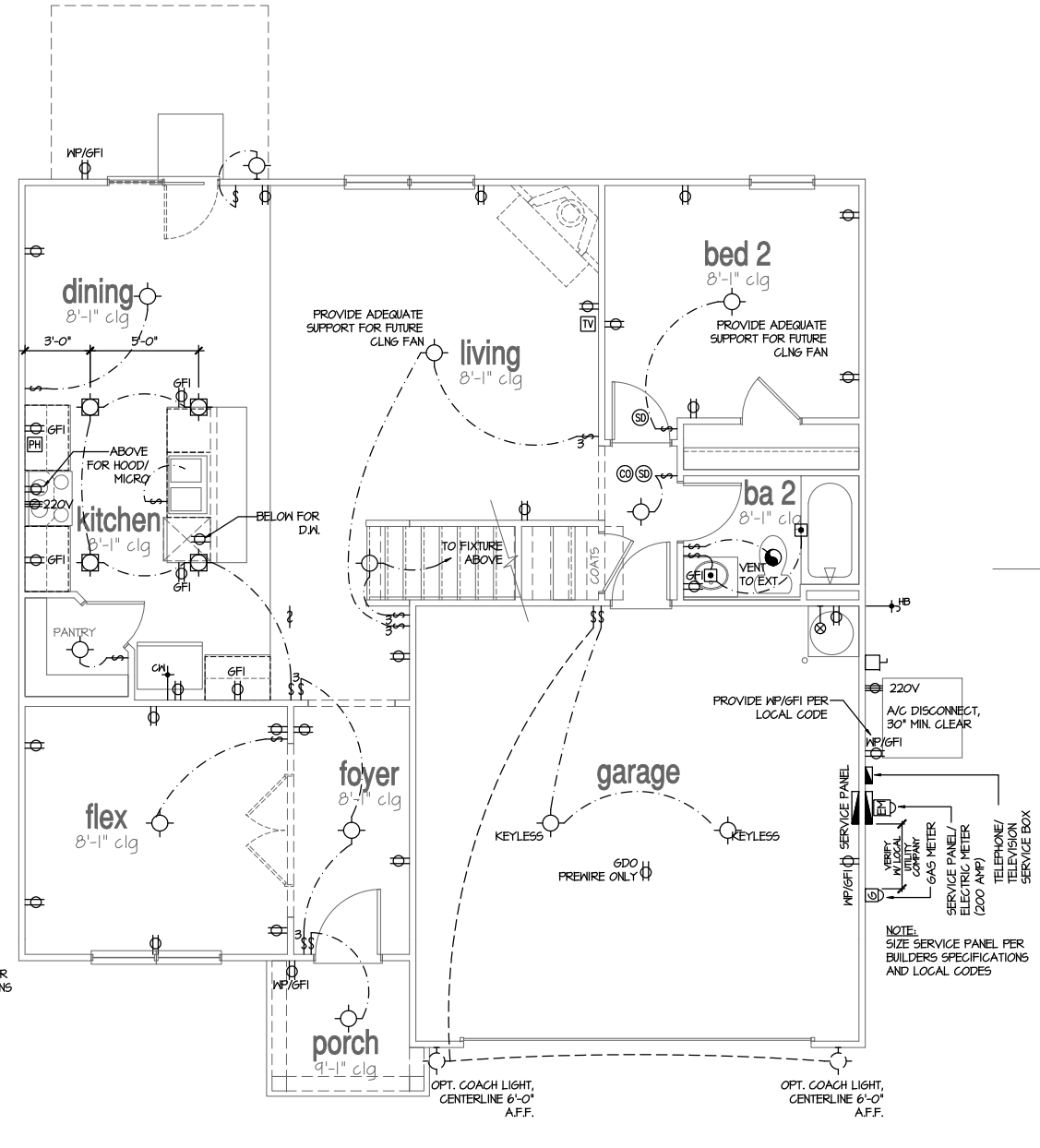
SCALE: 1/4"=1'-0" AT 22'X34" LAYOUT 1/8"=1'-0" AT 11'X11" LAYOUT



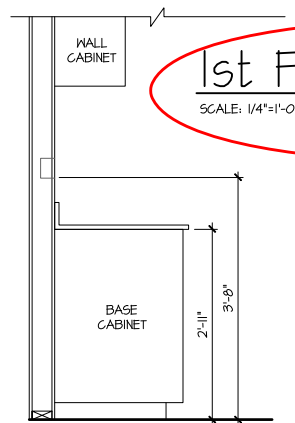
STANDARD ELECTRICAL BOX HEIGHTS



NOTE: SIZE SERVICE PANEL PER BUILDERS SPECIFICATIONS AND LOCAL CODES



SWITCH AND RECEPTACLE BOXES OVER BATH CABINETS



SWITCH AND RECEPTACLE BOXES OVER KITCHEN CABINETS

1st Floor Plan 'B'
SCALE: 1/4"=1'-0" AT 22'X34' LAYOUT 1/8"=1'-0" AT 11'X11' LAYOUT

1st Floor Plan 'A'
SCALE: 1/4"=1'-0" AT 22'X34' LAYOUT 1/8"=1'-0" AT 11'X11' LAYOUT

- NOTES:**
- PROVIDE GROUNDING ELECTRICAL ROD PER LOCAL CODES.
 - PROVIDE AND INSTALL ARC FAULT CIRCUIT-INTERRUPTERS (AFCI) AS REQUIRED BY NATIONAL ELECTRICAL CODE (NEC) AND MEETING THE REQUIREMENTS OF ALL GOVERNING CODES.
 - ALL EXHAUST FANS SHALL HAVE BACKDRAFT DAMPERS.
 - FANLIGHTS IN WET/DAMP LOCATIONS SHALL BE LABELED "SUITABLE FOR WET OR DAMP LOCATIONS."
 - ELECTRICAL SYSTEMS ARE SHOWN FOR INTENT ONLY. THESE SYSTEMS SHALL BE ENGINEERED BY OTHERS. THE CONTRACTOR SHALL BE RESPONSIBLE FOR PROPER INSTALLATION AND PLACEMENT.
 - PROVIDE AND INSTALL LOCALLY CERTIFIED SMOKE DETECTORS AND CO2 DETECTORS AS REQUIRED BY NATIONAL FIRE PROTECTION ASSOCIATION (NFPA) AND MEETING THE REQUIREMENTS OF ALL GOVERNING CODES.
 - PROVIDE AND INSTALL GROUND FAULT CIRCUIT-INTERRUPTERS (GFI) AS REQUIRED BY NATIONAL ELECTRICAL CODE (NEC) AND MEETING THE REQUIREMENTS OF ALL GOVERNING CODES.
 - ELECTRICAL CONTRACTOR TO PROVIDE REQUIRED DIRECT HOOK-UPS/CUTOFFS.
 - HVAC CONTRACTOR TO VERIFY THERMOSTAT LOCATIONS.
 - ALL ELECTRICAL AND MECHANICAL EQUIPMENT (FURNACES, A/C UNITS, ELECTRICAL PANELS, SANITARY SUMP PITS, DRAIN TILE SUMP, AND WATER HEATERS) ARE SUBJECT TO RELOCATION DUE TO FIELD CONDITIONS.
 - PROVIDE POWER, LIGHT AND SWITCH AS REQUIRED FOR ATTIC FURNACE PER CODE AND MANUFACTURER'S WRITTEN INSTRUCTIONS.

LEGEND:					
⊕	DUPLEX OUTLET	⊕	FLUSH-MOUNT LED CEILING FIXTURE	⊠	CHIMES
⊕ WP/GFI	WEATHERPROOF GFI DUPLEX OUTLET	⊕	HANGING FIXTURE	⊠	PUSHBUTTON SWITCH
⊕ GFI	GROUND-FAULT CIRCUIT-INTERRUPTER DUPLEX OUTLET	⊕	FLUSH-MOUNT LED CEILING FIXTURE (PROVIDE CEILING FAN SUPPORT)	⊠	110V SMOKE DETECTOR W/ BATTERY BACKUP
⊕	HALF-SWITCHED DUPLEX OUTLET	⊕	2-LIGHT VANITY FIXTURE	⊠	CO2 DETECTOR
⊕ 220V	220 VOLT OUTLET	⊕	3-LIGHT VANITY FIXTURE	⊠	THERMOSTAT
⊕	REINFORCED JUNCTION BOX	⊕	4-LIGHT VANITY FIXTURE	⊠	TELEPHONE
⊕	WALL SWITCH	⊕	WALL MOUNT FIXTURE	⊠	TELEVISION
⊕ 3	THREE-WAY SWITCH	⊕	EXHAUST FAN (VENT TO EXTERIOR)	⊠	ELECTRIC METER
⊕ 4	FOUR-WAY SWITCH	⊕		⊠	ELECTRIC PANEL
		⊕		⊠	DISCONNECT SWITCH

NO:	DATE:	REVISION:
1	04.25.22	

PROFESSIONAL SEAL:

PROJECT TITLE:
40' Series

FOR CONSTRUCTION



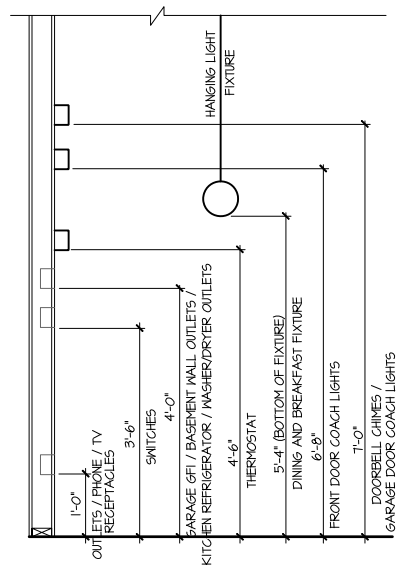
CLIENTS NAME:

PROJECT NO: GMD1049

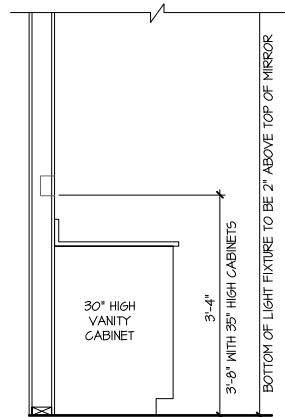
SHEET TITLE:
'HAYDEN'
1st FLOOR
UTILITY PLAN

PRINT DATE:
January 22, 2021

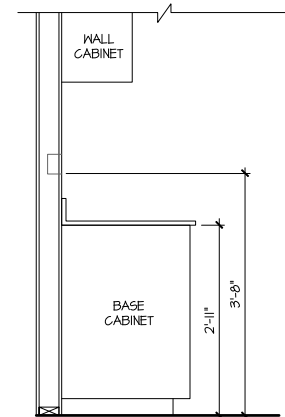
SHEET NO:
7



STANDARD ELECTRICAL BOX HEIGHTS



SWITCH AND RECEPTACLE BOXES OVER BATH CABINETS



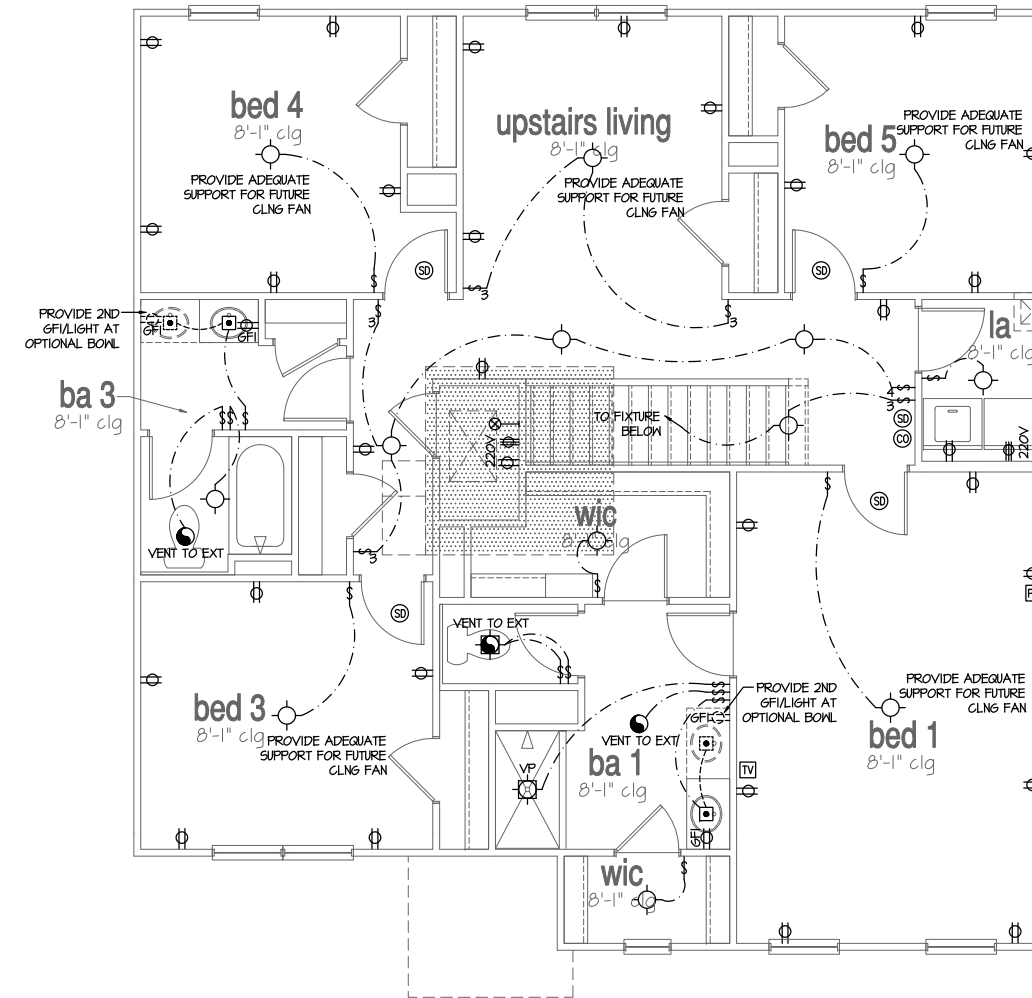
SWITCH AND RECEPTACLE BOXES OVER KITCHEN CABINETS

NOTES:

- PROVIDE GROUNDING ELECTRICAL ROD PER LOCAL CODES.
- PROVIDE AND INSTALL ARC FAULT CIRCUIT-INTERRUPTERS (AFCI) AS REQUIRED BY NATIONAL ELECTRICAL CODE (NEC) AND MEETING THE REQUIREMENTS OF ALL GOVERNING CODES.
- ALL EXHAUST FANS SHALL HAVE BACKDRAFT DAMPERS.
- FANLIGHTS IN WET/DAMP LOCATIONS SHALL BE LABELED "SUITABLE FOR WET OR DAMP LOCATIONS."
- ELECTRICAL SYSTEMS ARE SHOWN FOR INTENT ONLY. THESE SYSTEMS SHALL BE ENGINEERED BY OTHERS. THE CONTRACTOR SHALL BE RESPONSIBLE FOR PROPER INSTALLATION AND PLACEMENT.
- PROVIDE AND INSTALL LOCALLY CERTIFIED SMOKE DETECTORS AND CO2 DETECTORS AS REQUIRED BY NATIONAL FIRE PROTECTION ASSOCIATION (NFPA) AND MEETING THE REQUIREMENTS OF ALL GOVERNING CODES.
- PROVIDE AND INSTALL GROUND FAULT CIRCUIT-INTERRUPTERS (GFI) AS REQUIRED BY NATIONAL ELECTRICAL CODE (NEC) AND MEETING THE REQUIREMENTS OF ALL GOVERNING CODES.
- ELECTRICAL CONTRACTOR TO PROVIDE REQUIRED DIRECT HOOK-UPS/CUTOFFS.
- HVAC CONTRACTOR TO VERIFY THERMOSTAT LOCATIONS.
- ALL ELECTRICAL AND MECHANICAL EQUIPMENT (FURNACES, A/C UNITS, ELECTRICAL PANELS, SANITARY SUMP PITS, DRAIN TILE SUMP, AND WATER HEATERS) ARE SUBJECT TO RELOCATION DUE TO FIELD CONDITIONS.
- PROVIDE POWER, LIGHT AND SWITCH AS REQUIRED FOR ATTIC FURNACE PER CODE AND MANUFACTURER'S WRITTEN INSTRUCTIONS.

LEGEND:

⊕	DUPLEX OUTLET	⊕	FLUSH-MOUNT LED CEILING FIXTURE	⊗	CHIMES
⊕WP/GFI	WEATHERPROOF GFI DUPLEX OUTLET	⊕	HANGING FIXTURE	⊕	PUSHBUTTON SWITCH
⊕GFI	GROUND-FAULT CIRCUIT-INTERRUPTER DUPLEX OUTLET	⊕CFP	FLUSH-MOUNT LED CEILING FIXTURE (PROVIDE CEILING FAN SUPPORT)	⊗	110V SMOKE DETECTOR W/ BATTERY BACKUP
⊕	HALF-SWITCHED DUPLEX OUTLET	⊕	2-LIGHT VANITY FIXTURE	⊗	CO2 DETECTOR
⊕220V	220 VOLT OUTLET	⊕	3-LIGHT VANITY FIXTURE	⊕	THERMOSTAT
⊕	REINFORCED JUNCTION BOX	⊕	4-LIGHT VANITY FIXTURE	☎	TELEPHONE
⊕	WALL SWITCH	⊕	WALL MOUNT FIXTURE	TV	TELEVISION
⊕3	THREE-WAY SWITCH	⊕	EXHAUST FAN (VENT TO EXTERIOR)	⊕	ELECTRIC METER
⊕4	FOUR-WAY SWITCH	⊕		⊕	ELECTRIC PANEL
		⊕		⊕	DISCONNECT SWITCH
				⊕	CEILING FAN (PROVIDE ADEQUATE SUPPORT)
				⊕	GAS SUPPLY WITH VALVE
				⊕	HOSE BIBB
				⊕	1/4\"/>



2nd Floor Plan 'A'

SCALE: 1/4"=1'-0" AT 22'x34' LAYOUT 1/8"=1'-0" AT 11'x11' LAYOUT

NO.	DATE	REVISION
1	04.25.22	

PROFESSIONAL SEAL:

PROJECT TITLE:

40' Series

CLIENTS NAME:



PROJECT NO: GMD1049

SHEET TITLE:
'HAYDEN'
2nd FLOOR
UTILITY PLAN

PRINT DATE:
January 22, 2021

SHEET NO:
8

FOR CONSTRUCTION

DESIGN SPECIFICATIONS:

Construction Type: Commercial Residential

Applicable Building Codes:

- 2018 North Carolina Residential Building Code with All Local Amendments
ASCE 7-10: Minimum Design Loads for Buildings and Other Structures

Design Loads:

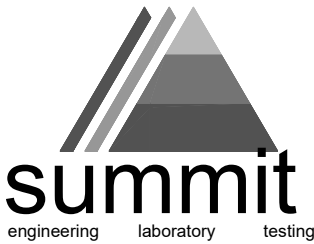
- 1. Roof Live Loads
11. Conventional 2x 20 PSF
12. Truss 20 PSF
12.1 Attic Truss 60 PSF
2. Roof Dead Loads
21. Conventional 2x 10 PSF
22. Truss 20 PSF
3. Snow 15 PSF
3.1 Importance Factor 1.0
4. Floor Live Loads
41. Typ. Dwelling 40 PSF
42. Sleeping Areas 30 PSF
43. Decks 40 PSF
44. Passenger Garage 50 PSF
5. Floor Dead Loads
51. Conventional 2x 10 PSF
52. I-Joist 15 PSF
53. Floor Truss 15 PSF
6. Ultimate Design Wind Speed (3 sec. gust) 130 MPH
6.1 Exposure B
6.2 Importance Factor 1.0
6.3 Wind Base Shear
6.3.1 Vx =
6.3.2 Vy =

7. Component and Cladding (in PSF)

Table with 5 columns: MEAN ROOF HT., UP TO 30', 30'-1'-35', 35'-1'-40', 40'-1'-45'. Rows for ZONE 1 through ZONE 5.

8. Seismic

- 8.1. Site Class D
8.2. Design Category C
8.3. Importance Factor 1.0
8.4. Seismic Use Group I
8.5. Spectral Response Acceleration
8.5.1 Sns = %g
8.5.2 Sm = %g
8.6. Seismic Base Shear
8.6.1 Vx =
8.6.2 Vy =
8.7. Basic Structural System (check one)
8.7.1 Bearing Wall
8.7.2 Building Frame
8.7.3 Moment Frame
8.7.4 Dual w/ Special Moment Frame
8.7.5 Dual w/ Intermediate R/C or Special Steel Inverted Pendulum
8.8. Arch/Mech Components Anchored No
8.9. Lateral Design Control: Seismic Wind
9. Assumed Soil Bearing Capacity 2000psf



HAYDEN RH

PROJECT ADDRESS: TBD
OWNER: DR Horton, Inc.
DESIGNER: GMD Design Group

These drawings are to be coordinated with the architectural, mechanical, plumbing, electrical, and civil drawings. This coordination is not the responsibility of the structural engineering of record (SER).

PLAN ABBREVIATIONS:

Table with 4 columns: Abbreviation, Description, Abbreviation, Description. Includes AB ANCHOR BOLT, AFF ABOVE FINISHED FLOOR, etc.

Roof truss and floor joist layouts, and their corresponding loading details, were not provided to SUMMIT Engineering, Laboratory & Testing, P.C. (SUMMIT) prior to the initial design.

SHEET LIST:

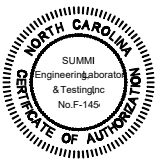
Table with 2 columns: Sheet No., Description. Lists sheets from CS1 to 58D.

REVISION LIST:

Table with 4 columns: Revision No., Date, Project No., Description. Lists revisions 1 through 3.

DR HORTON PROJECT SIGN-OFF:

Table with 2 columns: Manager, Signature. Includes Operations and Operations System rows.



DR Horton, Inc.
8801 Arrowridge Blvd.
Charlotte, NC 28273

GENERAL STRUCTURAL NOTES:

- 1. The design professional whose seal appears on these drawings is the structural engineer of record (SER) for this project. The SER bears the responsibility of the primary structural elements and the performance of this structure.
2. The structure is only stable in its completed form. The contractor shall provide all required temporary bracing during construction to stabilize the structure.
3. The SER is not responsible for construction sequences, methods, or techniques in connection with the construction of this structure.
4. Any structural elements or details not fully developed on the construction drawings shall be completed under the direction of a licensed professional engineer.
5. Verification of assumed field conditions is not the responsibility of the SER.
6. The SER is not responsible for any secondary structural elements or non-structural elements, except for the elements specifically noted on the structural drawings.
7. This structure and all construction shall conform to all applicable sections of the International Residential Code.
8. This structure and all construction shall conform to all applicable sections of local building codes.
9. All structural assemblies are to meet or exceed to requirements of the current local building code.

FOUNDATIONS:

- 1. The structural engineer has not performed a subsurface investigation. Verification of this assumed value is the responsibility of the owner or the contractor. Should any adverse soil condition be encountered the SER must be contacted before proceeding.

- 2. The bottom of all footings shall extend below the frost line for the region in which the structure is to be constructed.
3. Any fill shall be placed under the direction or recommendation of a licensed professional engineer.
4. The resulting soil shall be compacted to a minimum of 95% maximum dry density.
5. Excavations of footings shall be lined temporarily with a 6 mil polyethylene membrane if placement of concrete does not occur within 24 hours of excavation.
6. No concrete shall be placed against any subgrade containing water, ice, frost, or loose material.

STRUCTURAL STEEL:

- 1. Structural steel shall be fabricated and erected in accordance with the American Institute of Steel Construction "Code of Standard Practice for Steel Buildings and Bridges" and the manual of Steel Construction "Load Resistance Factor Design" latest editions.
2. Structural steel shall receive one coat of shop applied rust-inhibitive paint.
3. All steel shall have a minimum yield stress (Fy) of 36 ksi unless otherwise noted.
4. Welding shall conform to the latest edition of the American Welding Society's Structural Welding Code AWS D11. Electrodes for shop and field welding shall be class E10XX. All welding shall be performed by a certified welder per the above standards.

CONCRETE:

- 1. Concrete shall have a normal weight aggregate and a minimum compressive strength (fc) at 28 days of 3000 psi, unless otherwise noted on the plan.
2. Concrete shall be proportioned, mixed, and placed in accordance with the latest editions of ACI 318: "Building Code Requirements for Reinforced Concrete" and ACI 301: "Specifications for Structural Concrete for Buildings".
3. Air entrained concrete must be used for all structural elements exposed to freeze/thaw cycles and deicing chemicals. Air entrainment amounts (in percent) shall be within -1% to +2% of target values as follows:
3.1. Footings: 5%
3.2. Exterior Slabs: 5%
4. No admixtures shall be added to any structural concrete without written permission of the SER.

- 5. Concrete slabs-on-grade shall be constructed in accordance with ACI 302R-96: "Guide for Concrete Slab and Slab Construction".
6. The concrete slab-on-grade has been designed using a subgrade modulus of k=250 pci and a design loading of 200 psf. The SER is not responsible for differential settlement, slab cracking or other future defects resulting from unreported conditions not in accordance with the above assumptions.
7. Control or saw cut joints shall be spaced in interior slabs-on-grade at a maximum of 15'-0" O.C. and in exterior slabs-on-grade at a maximum of 10'-0" unless otherwise noted.
8. Control or saw cut joints shall be produced using conventional process within 4 to 12 hours after the slab has been finished.
9. Reinforcing steel may not extend through a control joint. Reinforcing steel may extend through a saw cut joint.
10. All welded wire fabric (WWF) for concrete slabs-on-grade shall be placed at mid-depth of slab. The WWF shall be securely supported during the concrete pour.

CONCRETE REINFORCEMENT:

- 1. Fibrous concrete reinforcement, or fibermesh specified in concrete slabs-on-grade may be used for control of cracking due to shrinkage and thermal expansion/contraction, lowered water migration, an increase in impact capacity, increased abrasion resistance, and residual strength.
2. Fibermesh reinforcing to be 100% virgin polypropylene fibers containing no reprocessed olefin materials and specifically manufactured for use as concrete secondary reinforcement.
3. Application of fibermesh per cubic yard of concrete shall equal a minimum of 0.1% by volume (15 pounds per cubic yard).
4. Fibermesh shall comply with ASTM C116, any local building code requirements, and shall meet or exceed the current industry standard.
5. Steel reinforcing bars shall be new billet steel conforming to ASTM A615, grade 60.
6. Detailing, fabrication, and placement of reinforcing steel shall be in accordance with the latest edition of ACI 318: "Manual of Standard Practice for Detailing Concrete Structures".
7. Horizontal footing and wall reinforcement shall be continuous and shall have 90 degree bends, or corner bars with the same size/spacing as the horizontal reinforcement with a class B tension splice.
8. Lap reinforcement as required, a minimum of 40 bar diameters for tension or compression unless otherwise noted. Splices in masonry shall be a minimum of 40 bar diameters.

- 9. Where reinforcing dowels are required, they shall be equivalent in size and spacing to the vertical reinforcement. The dowel shall extend 48 bar diameters vertically and 20 bar diameters into the footing.
10. Where reinforcing steel is required vertically, dowels shall be provided unless otherwise noted.

WOOD FRAMING:

- 1. Solid sawn wood framing members shall conform to the specifications listed in the latest edition of the "National Design Specification for Wood Construction" (NDS). Unless otherwise noted, all wood framing members are designed to be Southern-Yellow-Pine (SYP) #2.
2. LVL or PSL engineered wood shall have the following minimum design values:
2.1. E = 19000000 psi
2.2. Fb = 26000 psi
2.3. Fv = 285 psi
2.4. Fc = 1000 psi
3. Wood in contact with concrete, masonry, or earth shall be pressure treated in accordance with AIA/PA standard C-15. All other moisture exposed wood shall be treated in accordance with AIA/PA standard C-2.
4. Nails shall be common wire nails unless otherwise noted.
5. Lag screws shall conform to ANSI/ASME standard B1821-1801. Lead holes for lag screws shall be in accordance with NDS specifications.
6. All beams shall have full bearing on supporting framing members unless otherwise noted.
7. Exterior and load bearing stud walls are to be 2x4 SYP #2 @ 16" O.C. unless otherwise noted. Studs shall be continuous from the sole plate to the double top plate. Studs shall only be discontinuous at headers for window/door openings. A minimum of one king stud shall be placed at each end of the header. King studs shall be continuous.
8. Individual studs forming a column shall be attached with one 10d nail @ 6" O.C. staggered. The stud column shall be continuous to the foundation or beam. The stud column shall be properly blocked at all floor levels to ensure proper load transfer.
9. Multi-ply beams shall have each ply attached with (3) 10d nails @ 24" O.C.
10. Four and five ply beams shall be bolted together with (2) rows of 1/2" diameter through bolts staggered @ 16" O.C. unless noted otherwise.

WOOD TRUSSES:

- 1. The wood truss manufacturer/fabricator is responsible for the design of the wood trusses. Submit sealed shop drawings and supporting calculations to the SER for review prior to fabrication. The SER shall have a minimum of five (5) days for review. The review by the SER shall review for overall compliance with the design documents. The SER shall assume no responsibility for the correctness for the structural design for the wood trusses.
2. The wood trusses shall be designed for all required loadings as specified in the local building code, the ASCE Standard "Minimum Design Loads for Buildings and Other Structures." (ASCE 7-10), and the loading requirements shown on these specifications. The truss drawings shall be coordinated with all other construction documents and provisions provided for loads shown on these drawings including but not limited to HVAC equipment, piping, and architectural fixtures attached to the trusses.
3. The trusses shall be designed, fabricated, and erected in accordance with the latest edition of the "National Design Specification for Wood Construction." (NDS) and "Design Specification for Metal Plates Connected Wood Trusses".
4. The truss manufacturer shall provide adequate bracing information in accordance with "Commentary and Recommendations for Handling, Installing, and Bracing Metal Plate Connected Wood Trusses" (HIB-91). This bracing, both temporary and permanent, shall be shown on the shop drawings. Also, the shop drawings shall show the required attachments for the trusses.
5. Any chords or truss webs shown on these drawings have been shown as a reference only. The final design of the trusses shall be per the manufacturer.

EXTERIOR WOOD FRAMED DECKS:

- 1. Decks are to be framed in accordance with local building codes and as referenced on the structural plans, either through code references or construction details.

WOOD STRUCTURAL PANELS:

- 1. Fabrication and placement of structural wood sheathing shall be in accordance with the APA Design/Construction Guide "Residential and Commercial," and all other applicable APA standards.
2. All structurally required wood sheathing shall bear the mark of the APA.

- 3. Wood wall sheathing shall comply with the requirements of local building codes for the appropriate state as indicated on these drawings. Refer to wall bracing notes in plan set for more information. Sheathing shall be applied with the long direction perpendicular to framing, unless noted otherwise.
4. Roof sheathing shall be APA rated sheathing exposure 1 or 2. Roof sheathing shall be continuous over two supports and attached to its supporting roof framing with (1)-8d CC nail at 6" o/c at panel edges and at 12" o/c in panel field unless otherwise noted on the plans. Sheathing shall be applied with the long direction perpendicular to framing. Sheathing shall have a span rating consistent with the framing spacing. Use suitable edge support by use of plywood clips or lumber blocking unless otherwise noted. Panel end joints shall occur over framing. Apply building paper over the sheathing as required by the state Building Code.
5. Wood floor sheathing shall be APA rated sheathing exposure 1 or 2. Attach sheathing to its supporting framing with (1)-8d CC ringshank nail at 6" o/c at panel edges and at 12" o/c in panel field unless otherwise noted on the plans. Sheathing shall be applied perpendicular to framing. Sheathing shall have a span rating consistent with the framing spacing. Use suitable edge support by use of T&G plywood or lumber blocking unless otherwise noted. Panel end joints shall occur over framing. Apply building paper over the sheathing as required by the state Building Code.
6. Sheathing shall have a 1/8" gap at panel ends and edges as recommended in accordance with the APA.

STRUCTURAL FIBERBOARD PANELS:

- 1. Fabrication and placement of structural fiberboard sheathing shall be in accordance with the applicable AFA standards.
2. All structurally required fiberboard sheathing shall bear the mark of the AFA.
3. Fiberboard wall sheathing shall comply with the requirements of local building codes for the appropriate state as indicated on these drawings. Refer to wall bracing notes in plan set for more information.
4. Sheathing shall have a 1/8" gap at panel ends and edges as recommended in accordance with the AFA.

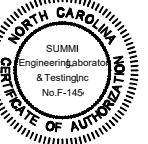
Hayden RH
Cover sheet



STRUCTURAL MEMBERS ONLY

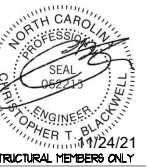
DATE: 05/21/2018
SCALE: 3/8"=1'-0"
PROJECT: 4-888-1011
DRAWN BY: JGP
CHECKED BY: GIB

2008 3/8"
REFER TO COVER SHEET FOR A COMPLETE LIST OF REVISIONS
CS1



DR. Horton, Inc.
 8801 Arrowridge Blvd.
 Charlotte, NC 28273

Hydrex RH
 Monolithic Slab Foundation



STRUCTURAL MEMBERS ONLY

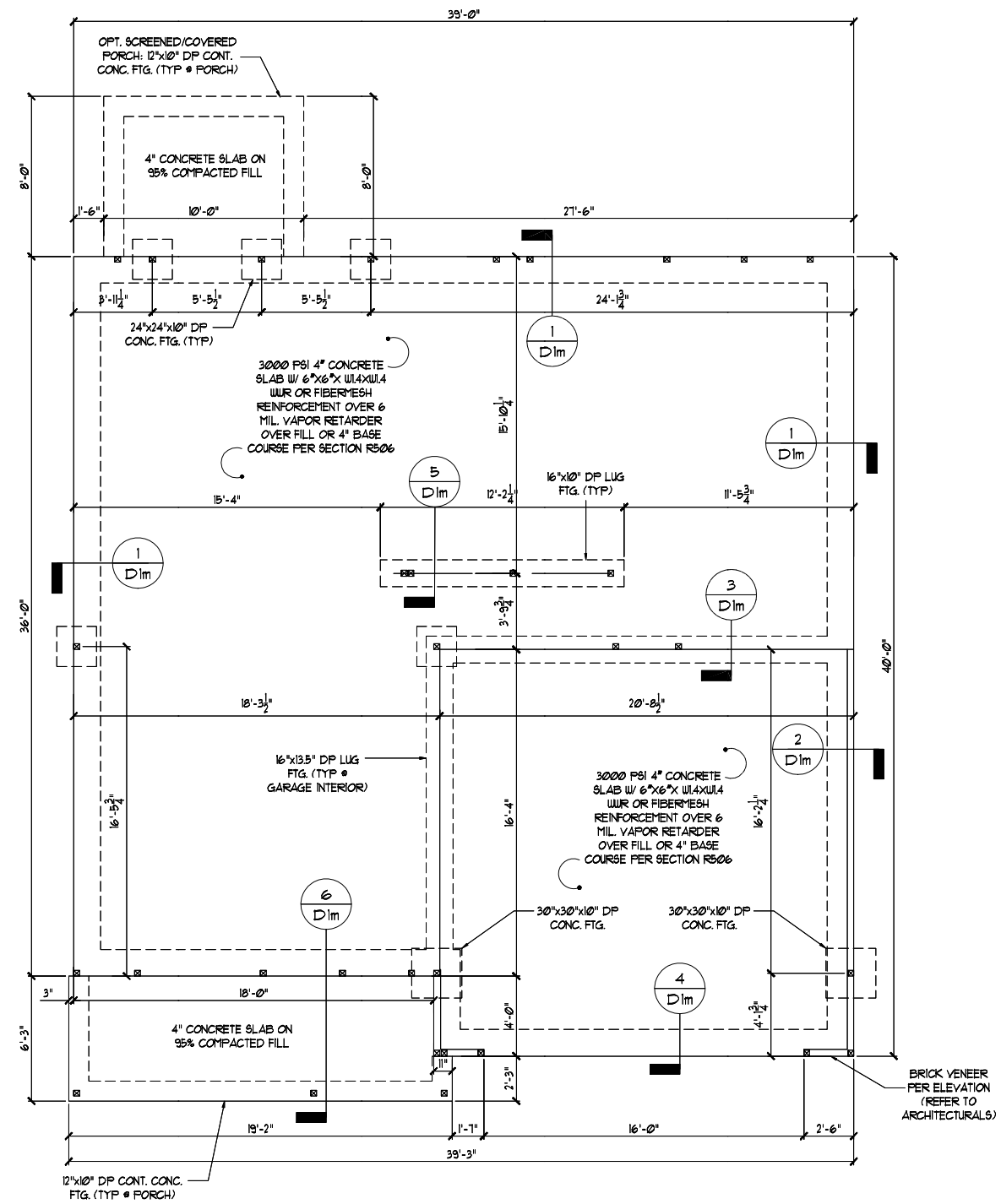
DATE: 8/24/11
 SCALE: 3/4"=1'-0" (1/4"=1'-0")
 PROJECT: 4-888-1071
 DRAWN BY: JJP
 CHECKED BY: GIB

2008 8/24/11

REFER TO COVER SHEET FOR A COMPLETE LIST OF REVISIONS

8-SHEET

Sl.m



ELEVATION BFK

STRUCTURAL MEMBERS ONLY

ENGINEERING SEAL APPLIES ONLY TO STRUCTURAL COMPONENTS ON THIS DOCUMENT. SEAL DOES NOT INCLUDE CONSTRUCTION MEANS, METHODS, TECHNIQUES, SEQUENCES, PROCEDURES OR SAFETY PRECAUTIONS. ANY DEVIATIONS OR DISCREPANCIES ON PLANS ARE TO BE BROUGHT TO THE IMMEDIATE ATTENTION OF SUMMIT ENGINEERING, LABORATORY & TESTING, P.C. FAILURE TO DO SO WILL VOID SUMMIT LIABILITY.

STRUCTURAL ANALYSIS BASED ON 2018 NCRC.

MONOLITHIC SLAB FOUNDATION PLAN

SCALE: 1/4"=1'-0" ON 22"x34" OR 1/8"=1'-0" ON 11"x17"

REQUIRED BRACED WALL PANEL CONNECTIONS				
METHOD	MATERIAL	MIN. THICKNESS	REQUIRED CONNECTION	
			• PANEL EDGES	• INTERMEDIATE SUPPORTS
CS-USP	WOOD STRUCTURAL PANEL	3/8"	6d COMMON NAILS • 6" O.C.	6d COMMON NAILS • 12" O.C.
GB	GYPSUM BOARD	1/2"	5d COOLER NAILS** • 1" O.C.	5d COOLER NAILS** • 1" O.C.
USP	WOOD STRUCTURAL PANEL	3/8"	6d COMMON NAILS • 6" O.C.	6d COMMON NAILS • 12" O.C.
FF	WOOD STRUCTURAL PANEL	7/16"	PER FIGURE R602.10.6.4	PER FIGURE R602.10.6.4

*OR EQUIVALENT PER TABLE R102.3.5

BRACED WALL NOTES:

- WALLS SHALL BE DESIGNED IN ACCORDANCE WITH SECTION R602.10 FROM THE 2018 NORTH CAROLINA RESIDENTIAL CODE WITH ALL LOCAL AND STATE AMENDMENTS.
- WALLS ARE DESIGNED FOR SEISMIC ZONES A-C AND MAXIMUM WIND SPEEDS UP TO 130 MPH.
- REFER TO ARCHITECTURAL PLAN FOR DOOR/WINDOW OPENING SIZES.
- BRACING MATERIALS, METHODS AND FASTENERS SHALL BE IN ACCORDANCE WITH TABLE R602.10.1.
- ALL BRACED WALL PANELS SHALL BE FULL WALL HEIGHT AND SHALL NOT EXCEED 10 FEET FOR ISOLATED PANEL METHOD AND 12 FEET FOR CONTINUOUS SHEATHING METHOD WITHOUT ADDITIONAL ENGINEERING CALCULATIONS.
- MINIMUM PANEL LENGTH SHALL BE PER TABLE R602.10.1.
- THE INTERIOR SIDE OF EXTERIOR WALLS AND BOTH SIDES OF INTERIOR WALLS SHALL BE SHEATHED CONTINUOUSLY WITH MINIMUM 1/2" GYPSUM BOARD (UNO).
- FOR CONTINUOUS SHEATHING METHOD, EXTERIOR WALLS SHALL BE SHEATHED ON ALL SHEATHABLE SURFACES INCLUDING INFILL AREAS BETWEEN BRACED WALL PANELS, ABOVE AND BELOW WALL OPENINGS, AND ON GABLE END WALLS.
- FLOORS SHALL NOT BE CANTILEVERED MORE THAN 24" BEYOND THE FOUNDATION OR BEARING WALL BELOW WITHOUT ADDITIONAL ENGINEERING CALCULATIONS.
- A BRACED WALL PANEL SHALL BE LOCATED WITHIN 12 FEET OF EACH END OF A BRACED WALL LINE.
- THE MAXIMUM EDGE DISTANCE BETWEEN BRACED WALL PANELS SHALL NOT EXCEED 21 FEET.
- MASONRY OR CONCRETE STEM WALLS w/ A LENGTH OF 48" OR LESS SUPPORTING A BRACED WALL PANEL SHALL BE DESIGNED IN ACCORDANCE WITH FIGURE R602.10.4.3 OF THE 2018 NCR. CODE.
- BRACED WALL PANEL CONNECTIONS TO FLOOR/CEILING SHALL BE CONSTRUCTED IN ACCORDANCE WITH SECTION R602.10.4.4.
- BRACED WALL PANEL CONNECTIONS TO ROOF SHALL BE CONSTRUCTED IN ACCORDANCE WITH SECTION R602.10.4.5.
- CRIPPLE WALLS AND WALK OUT BASEMENT WALLS SHALL BE DESIGNED IN ACCORDANCE WITH SECTION R602.10.4.6.
- PORTAL WALLS SHALL BE DESIGNED IN ACCORDANCE WITH FIGURE R602.10.1 (UNO).
- ABBREVIATIONS:

GB = GYPSUM BOARD USP = WOOD STRUCTURAL PANEL
 CS-XXX = CONT. SHEATHED ENG = ENGINEERED SOLUTION
 FF = PORTAL FRAME FF-ENG = ENG. PORTAL FRAME

GENERAL STRUCTURAL NOTES:

- CONSTRUCTION SHALL CONFORM TO 2018 NORTH CAROLINA RESIDENTIAL BUILDING CODE WITH ALL LOCAL AND STATE AMENDMENTS.
- CONTRACTOR SHALL VERIFY ALL DIMENSIONS. CONTRACTOR SHALL COMPLY WITH THE CONTENTS OF THE DRAWING FOR THIS SPECIFIC PROJECT. ENGINEER IS NOT RESPONSIBLE FOR ANY DEVIATIONS FROM THIS PLAN.
- CONTRACTOR IS RESPONSIBLE FOR PROVIDING TEMPORARY BRACING REQUIRED TO RESIST ALL FORCES ENCOUNTERED DURING ERECTION.
- PROPERTIES USED IN THE DESIGN ARE AS FOLLOWS:
 MICROLAM (LVL): $F_y = 2600$ PSI, $F_v = 285$ PSI, $E = 1.9 \times 10^6$ PSI
 PARALLAM (PSL): $F_y = 2900$ PSI, $F_v = 290$ PSI, $E = 1.25 \times 10^6$ PSI
- ALL WOOD MEMBERS SHALL BE #2 SYP UNLESS NOTED ON PLAN. ALL STUD COLUMNS AND JOISTS SHALL BE #2 SYP (UNO).
- ALL BEAMS SHALL BE SUPPORTED WITH A (2) 2x4 #2 SYP STUD COLUMN AT EACH END UNLESS NOTED OTHERWISE.
- ALL REINFORCING STEEL SHALL BE GRADE 60 BARS CONFORMING TO ASTM A615 AND SHALL HAVE A MINIMUM COVER OF 3".
- CONTRACTOR TO PROVIDED LOOKOUTS WHEN CEILING JOISTS SPAN PERPENDICULAR TO RAFTERS.
- FLITCH BEAMS, 4-PLY LVLs AND 3-PLY SIDE LOADED LVLs SHALL BE BOLTED TOGETHER WITH 1/2" DIA. THRU BOLTS SPACED AT 24" O.C. (MAX) STAGGERED OR EQUIVALENT CONNECTIONS PER DETAIL 1/031. MIN EDGE DISTANCE SHALL BE 2" AND (2) BOLTS SHALL BE LOCATED MINIMUM 6" FROM EACH END OF THE BEAM.
- ALL NON-LOAD BEARING HEADERS SHALL BE (1) FLAT 2x4 SYP #2, DROPPED. FOR NON-LOAD BEARING HEADERS EXCEEDING 8'-0" IN WIDTH AND/OR WITH MORE THAN 2'-0" OF CRIPPLE WALL ABOVE, SHALL BE (2) FLAT 2x4 SYP #2, DROPPED. (UNLESS NOTED OTHERWISE)

THESE PLANS ARE DESIGNED IN ACCORDANCE WITH ARCHITECTURAL PLANS PROVIDED BY DR HORTON COMPLETED/REVISED ON 4/15/21. IT IS THE RESPONSIBILITY OF THE CLIENT TO NOTIFY SUMMIT ENGINEERING, LABORATORY & TESTING, P.C. IF ANY CHANGES ARE MADE TO THE ARCHITECTURAL PLANS PRIOR TO CONSTRUCTION. SUMMIT ENGINEERING, LABORATORY & TESTING, P.C. CANNOT GUARANTEE THE ADEQUACY OF THESE STRUCTURAL PLANS WHEN USED WITH ARCHITECTURAL PLANS DATED DIFFERENTLY THAN THE DATE LISTED ABOVE.

STRUCTURAL MEMBERS ONLY

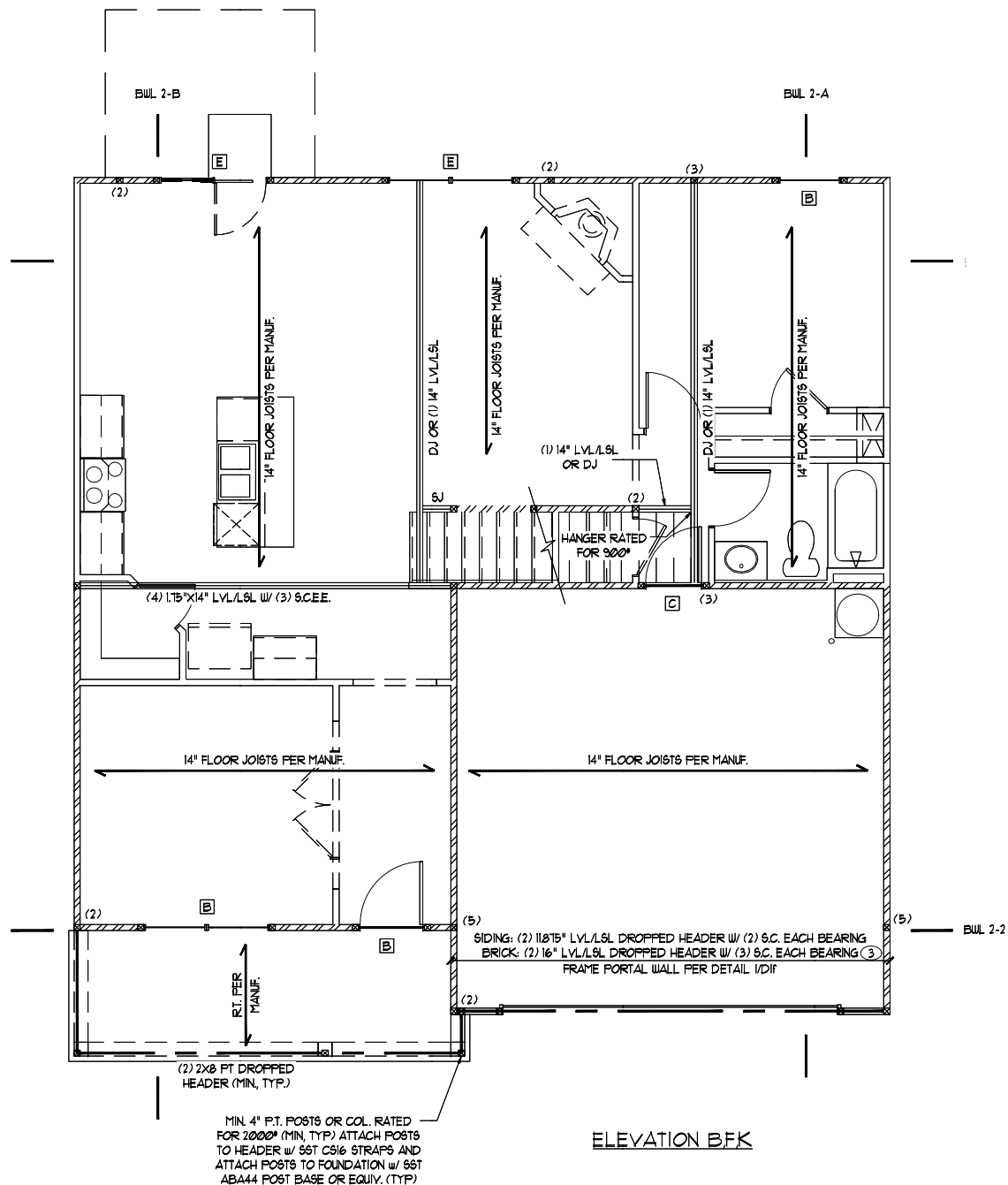
ENGINEERING SEAL APPLIES ONLY TO STRUCTURAL COMPONENTS ON THIS DOCUMENT. SEAL DOES NOT INCLUDE CONSTRUCTION MEANS, METHODS, TECHNIQUES, SEQUENCES, PROCEDURES OR SAFETY PRECAUTIONS. ANY DEVIATIONS OR DISCREPANCIES ON PLANS ARE TO BE BROUGHT TO THE IMMEDIATE ATTENTION OF SUMMIT ENGINEERING, LABORATORY & TESTING, P.C. FAILURE TO DO SO WILL VOID SUMMIT LIABILITY.

STRUCTURAL ANALYSIS BASED ON 2018 NCR. CODE.

FIRST FLOOR FRAMING PLAN

SCALE: 1/4"=1'-0" ON 22"x34" OR 1/8"=1'-0" ON 11"x17"

	FIRST FLOOR BRACING (FT)	
	REQUIRED	PROVIDED
BULL 1-1	11.6	24.8
BULL 1-2	11.6	15.0
BULL 1-A	11.3	40.0
BULL 1-B	11.3	36.0



ELEVATION BFK

HEADER SCHEDULE

TAG	SIZE	JACKS (EACH END)
A	(2) 2x6	(1)
B	(2) 2x8	(2)
C	(2) 2x10	(2)
D	(2) 2x12	(2)
E	(2) 9-1/4" LSL/LVL	(3)
F	(3) 2x6	(1)
G	(3) 2x8	(2)
H	(3) 2x10	(2)
I	(3) 2x12	(2)

NOTES:
 1. HEADER SIZES SHOWN ON PLANS ARE MINIMUMS. GREATER HEADER SIZES MAY BE USED FOR EASE OF CONSTRUCTION.
 2. ALL HEADERS TO BE DROPPED (UNO).
 3. STUD COLUMNS NOTED ON PLAN OVERRIDE STUD COLUMNS LISTED ABOVE (UNO).

KING STUD SCHEDULE

MAXIMUM HEADER SPAN	MINIMUM KING STUDS E.E.
4'-0"	(1)
6'-0"	(2)
8'-0"	(2)
10'-0"	(3)
12'-0"	(3)
14'-0"	(3)
16'-0"	(4)
18'-0"	(4)

WALL STUD SCHEDULE (10 FT HEIGHT)

STUD SIZE	STUD SPACING (O.C.)			
	ROOF ONLY	ROOF 4 1 FLOOR	ROOF 4 2 FLOORS	NON-LOAD BEARING
2x4	24"	16"	12"	24"
2x6	24"	24"	16"	24"

NOTES:
 1. BRACED WALLS STUDS SHALL BE A MAX. OF 16" O.C.
 2. STUDS SUPPORTS OPTIONAL WALK-UP ATTIC SHALL BE SPACED A MAX. OF 16" O.C.
 3. TWO STORY WALLS SHALL BE FRAMED w/ 2x4 STUDS @ 12" O.C. OR 2x6 STUDS @ 16" O.C. BALLOON FRAMED w/ HORIZ. BLOCKING @ 6'-0" O.C. VERTICALLY.

LINTEL SCHEDULE

TAG	SIZE	OPENING SIZE
①	L3x3x1/4"	LESS THAN 6'-0"
②	L5x3x1/4"	6'-0" TO 10'-0"
③	L5x3-1/2x5/16"	GREATER THAN 10'-0"
④	L5x3-1/2x5/16" ROLLED OR EQUIV.	ALL ARCHED OPENINGS

SECURE LINTEL TO HEADER w/ (2) 1/2" DIAMETER LAG SCREWS STAGGERED @ 16" O.C. (TYP FOR)

ALL HEADERS WHERE BRICK IS USED, TO BE: (UNO)

SHADED WALLS INDICATED LOAD BEARING WALLS

NOTE: REDUCE JOIST SPACING UNDER TILE FLOORS, GRANITE COUNTERTOPS AND/OR ISLANDS.

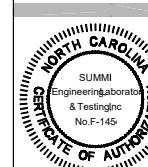
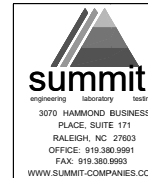
JOIST & BEAM SIZES SHOWN ARE MINIMUMS. BUILDER MAY INCREASE DEPTH FOR EASE OF CONSTRUCTION.

NOTE: --- DESIGNATES JOIST SUPPORTED LOAD BEARING WALL ABOVE. PROVIDE BLOCKING UNDER JOIST SUPPORTED LOAD BEARING WALL.

NOTE: MEMBERS NOTED AS PRESSURE TREATED MAY BE FRAMED WITH NON-PRESSURE TREATED LUMBER PROVIDED THE ENTIRETY OF THE MEMBER IS WRAPPED TO PREVENT MOISTURE INTRUSION.

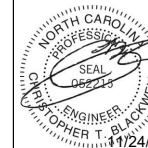
INSTALL HOLD-DOWNS FOR BRACED WALL END CONDITIONS PER SECTION R602.10.8 & FIG. R602.10.1 OF THE 2018 NCR. CODE.

NOTE: WALL SHEATHING AND FASTENERS HAVE BEEN DESIGNED TO RESIST THE CONTINUOUS WIND UPLIFT LOAD PATH IN ACCORDANCE WITH METHOD 3 OF SECTION R602.3.5 OF THE 2018 NCR. CODE.



DR. HORTON, INC.
 8801 Arrowridge Blvd.
 Charlotte, NC 28273

Hydrex RH
 First Floor Framing Plan



STRUCTURAL MEMBERS ONLY

DATE: 04/15/21
 SCALE: 1/4"=1'-0"
 PROJECT: 4-888-1011
 DRAWN BY: JSP
 CHECKED BY: GIB

2008 04/15

REFER TO COVER SHEET FOR A COMPLETE LIST OF REVISIONS

33.1

REQUIRED BRACED WALL PANEL CONNECTIONS				
METHOD	MATERIAL	MIN. THICKNESS	REQUIRED CONNECTION	
			• PANEL EDGES	• INTERMEDIATE SUPPORTS
CS-UWP	WOOD STRUCTURAL PANEL	3/8"	6d COMMON NAILS • 6" O.C.	6d COMMON NAILS • 12" O.C.
GB	GYP SUM BOARD	1/2"	5d COOLER NAILS** • 1" O.C.	5d COOLER NAILS** • 1" O.C.
UWP	WOOD STRUCTURAL PANEL	3/8"	6d COMMON NAILS • 6" O.C.	6d COMMON NAILS • 12" O.C.
FF	WOOD STRUCTURAL PANEL	7/16"	PER FIGURE R602.10.6.4	PER FIGURE R602.10.6.4

*OR EQUIVALENT PER TABLE R102.3.5

BRACED WALL NOTES:

- WALLS SHALL BE DESIGNED IN ACCORDANCE WITH SECTION R602.10 FROM THE 2018 NORTH CAROLINA RESIDENTIAL CODE WITH ALL LOCAL AND STATE AMENDMENTS. WALLS ARE DESIGNED FOR SEISMIC ZONES A-C AND MAXIMUM WIND SPEEDS UP TO 130 MPH.
- REFER TO ARCHITECTURAL PLAN FOR DOOR/WINDOW OPENING SIZES.
- BRACING MATERIALS, METHODS AND FASTENERS SHALL BE IN ACCORDANCE WITH TABLE R602.10.1.
- ALL BRACED WALL PANELS SHALL BE FULL WALL HEIGHT AND SHALL NOT EXCEED 10 FEET FOR ISOLATED PANEL METHOD AND 12 FEET FOR CONTINUOUS SHEATHING METHOD WITHOUT ADDITIONAL ENGINEERING CALCULATIONS.
- MINIMUM PANEL LENGTH SHALL BE PER TABLE R602.10.1.
- THE INTERIOR SIDE OF EXTERIOR WALLS AND BOTH SIDES OF INTERIOR WALLS SHALL BE SHEATHED CONTINUOUSLY WITH MINIMUM 1/2" GYP SUM BOARD (UNO).
- FOR CONTINUOUS SHEATHING METHOD, EXTERIOR WALLS SHALL BE SHEATHED ON ALL SHEATHABLE SURFACES INCLUDING INFILL AREAS BETWEEN BRACED WALL PANELS, ABOVE AND BELOW WALL OPENINGS, AND ON GABLE END WALLS.
- FLOORS SHALL NOT BE CANTILEVERED MORE THAN 24" BEYOND THE FOUNDATION OR BEARING WALL BELOW WITHOUT ADDITIONAL ENGINEERING CALCULATIONS.
- A BRACED WALL PANEL SHALL BE LOCATED WITHIN 12 FEET OF EACH END OF A BRACED WALL LINE.
- THE MAXIMUM EDGE DISTANCE BETWEEN BRACED WALL PANELS SHALL NOT EXCEED 21 FEET.
- MASONRY OR CONCRETE STEM WALLS w/ A LENGTH OF 48" OR LESS SUPPORTING A BRACED WALL PANEL SHALL BE DESIGNED IN ACCORDANCE WITH FIGURE R602.10.4.3 OF THE 2018 NCR. C.
- BRACED WALL PANEL CONNECTIONS TO FLOOR/CEILING SHALL BE CONSTRUCTED IN ACCORDANCE WITH SECTION R602.10.4.4.
- BRACED WALL PANEL CONNECTIONS TO ROOF SHALL BE CONSTRUCTED IN ACCORDANCE WITH SECTION R602.10.4.5.
- CRIPPLE WALLS AND WALK OUT BASEMENT WALLS SHALL BE DESIGNED IN ACCORDANCE WITH SECTION R602.10.4.6.
- PORTAL WALLS SHALL BE DESIGNED IN ACCORDANCE WITH FIGURE R602.10.1 (UNO).
- ABBREVIATIONS:

GB = GYP SUM BOARD UWP = WOOD STRUCTURAL PANEL
 CS-XXX = CONT. SHEATHED ENG = ENGINEERED SOLUTION
 FF = PORTAL FRAME FF-ENG = ENG. PORTAL FRAME

GENERAL STRUCTURAL NOTES:

- CONSTRUCTION SHALL CONFORM TO 2018 NORTH CAROLINA RESIDENTIAL BUILDING CODE WITH ALL LOCAL AND STATE AMENDMENTS.
- CONTRACTOR SHALL VERIFY ALL DIMENSIONS. CONTRACTOR SHALL COMPLY WITH THE CONTENTS OF THE DRAWING FOR THIS SPECIFIC PROJECT. ENGINEER IS NOT RESPONSIBLE FOR ANY DEVIATIONS FROM THIS PLAN.
- CONTRACTOR IS RESPONSIBLE FOR PROVIDING TEMPORARY BRACING REQUIRED TO RESIST ALL FORCES ENCOUNTERED DURING ERECTION.
- PROPERTIES USED IN THE DESIGN ARE AS FOLLOWS:
 MICROLAM (LVL): $F_b = 2600$ PSI, $F_v = 285$ PSI, $E = 1.9 \times 10^6$ PSI
 PARALLAM (PSL): $F_b = 2900$ PSI, $F_v = 250$ PSI, $E = 1.25 \times 10^6$ PSI
 ALL WOOD MEMBERS SHALL BE #2 GYP UNLESS NOTED ON PLAN. ALL STUD COLUMNS AND JOISTS SHALL BE #2 GYP (UNO).
- ALL BEAMS SHALL BE SUPPORTED WITH A (2) 2x4 #2 GYP STUD COLUMN AT EACH END UNLESS NOTED OTHERWISE.
- ALL REINFORCING STEEL SHALL BE GRADE 60 BARS CONFORMING TO ASTM A615 AND SHALL HAVE A MINIMUM COVER OF 3". CONTRACTOR TO PROVIDED LOOKOUTS WHEN CEILING JOISTS SPAN PERPENDICULAR TO RAFTERS.
- FLITCH BEAMS, 4-PLY LVLs AND 3-PLY SIDE LOADED LVLs SHALL BE BOLTED TOGETHER WITH 1/2" DIA. THRU BOLTS SPACED AT 24" O.C. (MAX) STAGGERED OR EQUIVALENT CONNECTIONS PER DETAIL 103. MIN. EDGE DISTANCE SHALL BE 2" AND (2) BOLTS SHALL BE LOCATED MINIMUM 6" FROM EACH END OF THE BEAM.
- ALL NON-LOAD BEARING HEADERS SHALL BE (1) FLAT 2x4 GYP #2, DROPPED. FOR NON-LOAD BEARING HEADERS EXCEEDING 8'-0" IN WIDTH AND/OR WITH MORE THAN 2'-0" OF CRIPPLE WALL ABOVE, SHALL BE (2) FLAT 2x4 GYP #2, DROPPED. (UNLESS NOTED OTHERWISE)

THESE PLANS ARE DESIGNED IN ACCORDANCE WITH ARCHITECTURAL PLANS PROVIDED BY DR. HORTON. COMPLETED/REVISED ON 4/15/21. IT IS THE RESPONSIBILITY OF THE CLIENT TO NOTIFY SUMMIT ENGINEERING, LABORATORY & TESTING, P.C. IF ANY CHANGES ARE MADE TO THE ARCHITECTURAL PLANS PRIOR TO CONSTRUCTION. SUMMIT ENGINEERING, LABORATORY & TESTING, P.C. CANNOT GUARANTEE THE ADEQUACY OF THESE STRUCTURAL PLANS WHEN USED WITH ARCHITECTURAL PLANS DATED DIFFERENTLY THAN THE DATE LISTED ABOVE.

STRUCTURAL MEMBERS ONLY

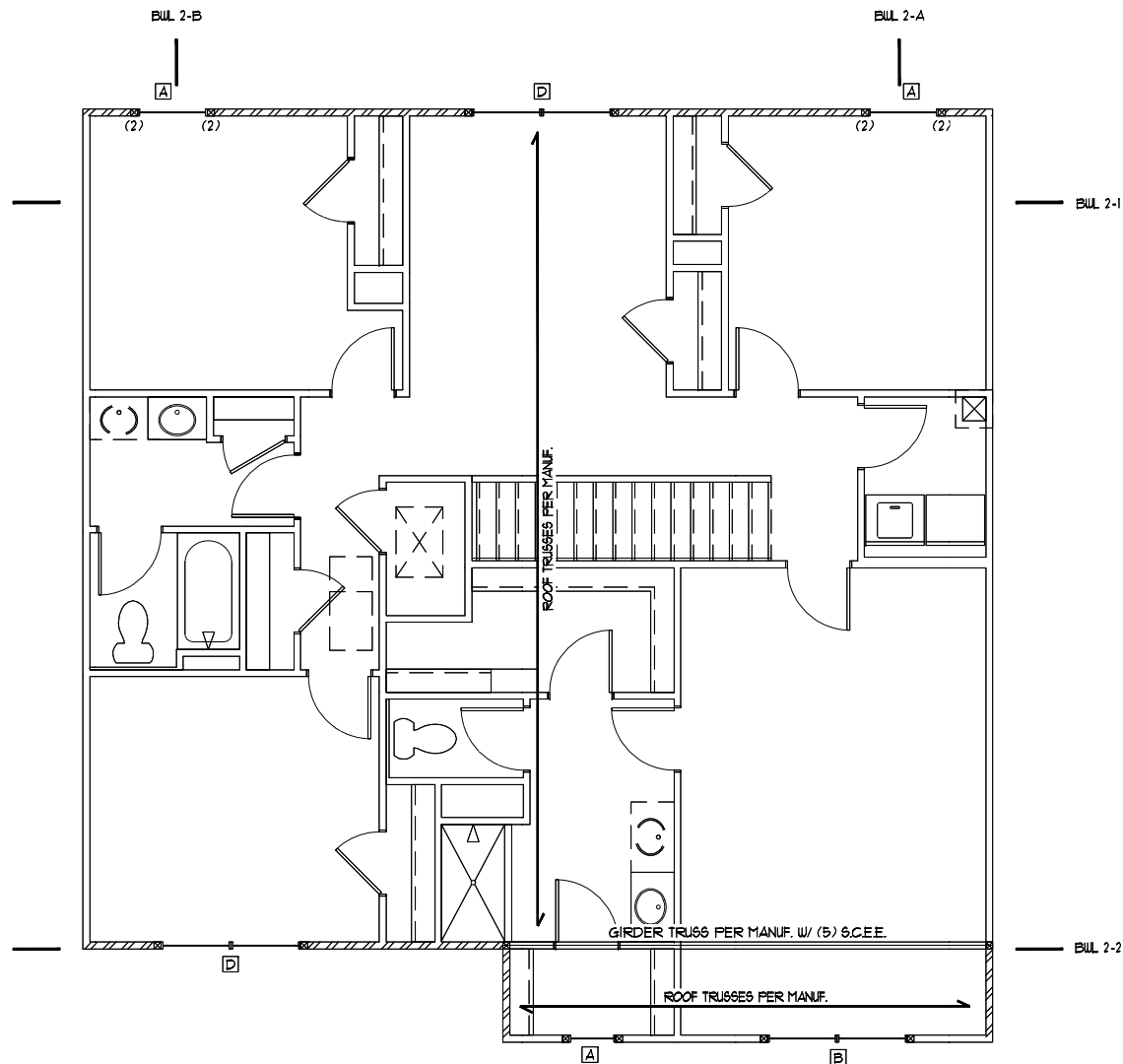
ENGINEERING SEAL APPLIES ONLY TO STRUCTURAL COMPONENTS ON THIS DOCUMENT. SEAL DOES NOT INCLUDE CONSTRUCTION MEANS, METHODS, TECHNIQUES, SEQUENCES, PROCEDURES OR SAFETY PRECAUTIONS. ANY DEVIATIONS OR DISCREPANCIES ON PLANS ARE TO BE BROUGHT TO THE IMMEDIATE ATTENTION OF SUMMIT ENGINEERING, LABORATORY & TESTING, P.C. FAILURE TO DO SO WILL VOID SUMMIT LIABILITY.

STRUCTURAL ANALYSIS BASED ON 2018 NCR.

SECOND FLOOR FRAMING PLAN

SCALE: 1/4"=1'-0" ON 22"x34" OR 1/8"=1'-0" ON 11"x17"

SECOND FLOOR BRACING (FT)		
	CONTINUOUS SHEATHING METHOD	
	REQUIRED	PROVIDED
BULL 2-1	6.0	21.0
BULL 2-2	6.0	25.0
BULL 2-A	5.8	40.0
BULL 2-B	5.8	36.0



ELEVATION BFK

HEADER SCHEDULE		
TAG	SIZE	JACKS (EACH END)
A	(2) 2x6	(1)
B	(2) 2x6	(2)
C	(2) 2x10	(2)
D	(2) 2x12	(2)
E	(2) 9-1/4" LSL/LVL	(3)
F	(3) 2x6	(1)
G	(3) 2x8	(2)
H	(3) 2x10	(2)
I	(3) 2x12	(2)

NOTES:
 1. HEADER SIZES SHOWN ON PLANS ARE MINIMUMS. GREATER HEADER SIZES MAY BE USED FOR EASE OF CONSTRUCTION.
 2. ALL HEADERS TO BE DROPPED (UNO).
 3. STUD COLUMNS NOTED ON PLAN OVERRIDE STUD COLUMNS LISTED ABOVE (UNO).

KING STUD SCHEDULE	
MAXIMUM HEADER SPAN	MINIMUM KING STUDS E.E.
4'-0"	(1)
6'-0"	(2)
8'-0"	(2)
10'-0"	(3)
12'-0"	(3)
14'-0"	(3)
16'-0"	(4)
18'-0"	(4)

WALL STUD SCHEDULE (10 FT HEIGHT)				
STUD SIZE	STUD SPACING (O.C.)			
	ROOF ONLY	ROOF & 1 FLOOR	ROOF & 2 FLOORS	NON-LOAD BEARING
2x4	24"	16"	12"	24"
2x6	24"	24"	16"	24"

NOTES:
 1. BRACED WALLS STUDS SHALL BE A MAX. OF 16" O.C.
 2. STUDS SUPPORTS OPTIONAL WALK-UP ATTIC SHALL BE SPACED A MAX. OF 16" O.C.
 3. TWO STORY WALLS SHALL BE FRAMED w/ 2x4 STUDS @ 12" O.C. OR 2x6 STUDS @ 16" O.C. BALLOON FRAMED w/ HORIZ. BLOCKING @ 6'-0" O.C. VERTICALLY.

LINTEL SCHEDULE		
TAG	SIZE	OPENING SIZE
①	L3x3x1/4"	LESS THAN 6'-0"
②	L5x3x1/4"	6'-0" TO 10'-0"
③	L5x3-1/2x5/16"	GREATER THAN 10'-0"
④	L5x3-1/2x5/16" ROLLED OR EQUIV.	ALL ARCHED OPENINGS

SECURE LINTEL TO HEADER w/ (2) 1/2" DIAMETER LAG SCREWS STAGGERED @ 16" O.C. (TYP FOR ③)
 ALL HEADERS WHERE BRICK IS USED, TO BE: (UNO)

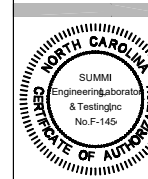
SHADED WALLS INDICATED LOAD BEARING WALLS

JOIST & BEAM SIZES SHOWN ARE MINIMUMS. BUILDER MAY INCREASE DEPTH FOR EASE OF CONSTRUCTION.

NOTE: MEMBERS NOTED AS PRESSURE TREATED MAY BE FRAMED WITH NON-PRESSURE TREATED LUMBER PROVIDED THE ENTIRETY OF THE MEMBER IS WRAPPED TO PREVENT MOISTURE INTRUSION.

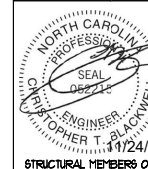
INSTALL HOLD-DOWNS FOR BRACED WALL END CONDITIONS PER SECTION R602.10.8 & FIG. R602.10.1 OF THE 2018 NCR.

NOTE: WALL SHEATHING AND FASTENERS HAVE BEEN DESIGNED TO RESIST THE CONTINUOUS WIND UPLIFT LOAD PATH IN ACCORDANCE WITH METHOD 3 OF SECTION R602.3.5 OF THE 2018 NCR.



DR. HORTON, INC.
 8800 Arrowledge Blvd.
 Charlotte, NC 28273

Hydrex RH
 Second Floor Framing Plan



DATE: 2021
 SCALE: 20x4 1/4"=1'-0"
 PROJECT: 4 888-1871
 DRAWN BY: JSP
 CHECKED BY: GIB

2020 2021

REFER TO COVER SHEET FOR A COMPLETE LIST OF REVISIONS

SHEET

TRUSS UPLIFT CONNECTOR SCHEDULE

MAX. UPLIFT	ROOF TO WALL	FLOOR TO FLOOR	FLOOR TO FND
600 LBS	H2.5A	PER WALL SHEATHING & FASTENERS	
1200 LBS	(2) H2.5A	CS16 (END = 11")	DTT2Z
1450 LBS	HTS20	CS16 (END = 11")	DTT2Z
2000 LBS	(2) HTS20	(2) CS16 (END = 11")	DTT2Z
2900 LBS	(2) HTS20	(2) CS16 (END = 11")	HTT4
3600 LBS	LG13-9D52.5	M5TC52	HTT4

1. ALL PRODUCTS LISTED ARE SIMPSON STRONG-TIE EQUIVALENT PRODUCTS MAY BE USED PER MANUFACTURER'S SPECIFICATIONS.
2. UPLIFT VALUES LISTED ARE FOR STYP 12 GRADE MEMBERS.
3. REFER TO TRUSS LAYOUT PER MANUF. FOR UPLIFT VALUES AND TRUSS TO TRUSS CONNECTIONS, CONNECTORS SPECIFIED BY TRUSS MANUFACTURER OVERRIDE THOSE LISTED ABOVE.
4. CONTACT SUMMIT FOR REQUIRED CONNECTORS WHEN LOADS EXCEED THOSE LISTED ABOVE.

NOTE: 1ST FLY OF ALL SHOWN GIRDER TRUSSES TO ALIGN WITH INSIDE FACE OF WALL (TYP, UNO)

NOTE: ROOF TRUSSES SHALL BE SPACED TO SUPPORT FALSE FRAMED DORMER WALLS (TYP, UNO)

REFER TO DETAIL 5/D3F FOR EYEBROW, RETURN OR SHED ROOF FRAMING REQUIREMENTS. (TYP FOR ROOFS PROTRUDING MAXIMUM 24" FROM STRUCTURE)

NOTE: TRUSS UPLIFT LOADS SHALL BE DETERMINED PER TRUSS MANUFACTURER IN ACCORDANCE WITH SECTION R602.10.11. WALL SHEATHING AND FASTENERS HAVE BEEN DESIGNED TO RESIST THE WIND UPLIFT LOAD PATH IN ACCORDANCE WITH METHOD 3 OF SECTION R602.3.5 OF THE 2018 NCR. REFER TO BRACED WALL PLANS FOR SHEATHING AND FASTENER REQUIREMENTS.

THESE PLANS ARE DESIGNED IN ACCORDANCE WITH ARCHITECTURAL PLANS PROVIDED BY DR. HORTON COMPLETED/REVISED ON 4/15/21. IT IS THE RESPONSIBILITY OF THE CLIENT TO NOTIFY SUMMIT ENGINEERING, LABORATORY & TESTING, P.C. IF ANY CHANGES ARE MADE TO THE ARCHITECTURAL PLANS PRIOR TO CONSTRUCTION. SUMMIT ENGINEERING, LABORATORY & TESTING, P.C. CANNOT GUARANTEE THE ADEQUACY OF THESE STRUCTURAL PLANS WHEN USED WITH ARCHITECTURAL PLANS DATED DIFFERENTLY THAN THE DATE LISTED ABOVE.

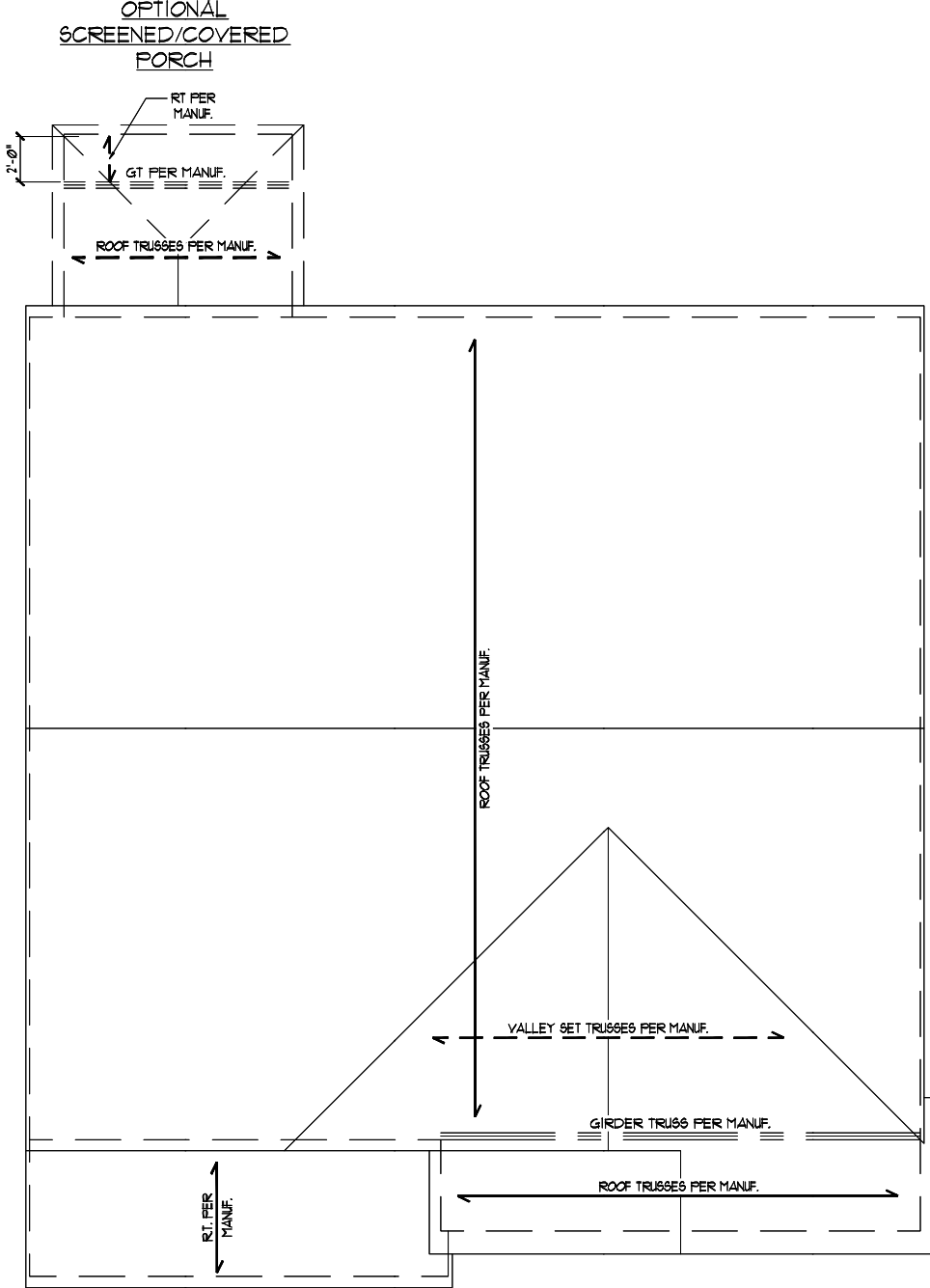
STRUCTURAL MEMBERS ONLY

ENGINEERING SEAL APPLIES ONLY TO STRUCTURAL COMPONENTS ON THIS DOCUMENT. SEAL DOES NOT INCLUDE CONSTRUCTION MEANS, METHODS, TECHNIQUES, SEQUENCES, PROCEDURES OR SAFETY PRECAUTIONS. ANY DEVIATIONS OR DISCREPANCIES ON PLANS ARE TO BE BROUGHT TO THE IMMEDIATE ATTENTION OF SUMMIT ENGINEERING, LABORATORY & TESTING, P.C. FAILURE TO DO SO WILL VOID SUMMIT LIABILITY.

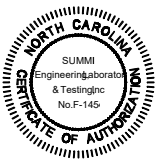
STRUCTURAL ANALYSIS BASED ON 2018 NCR.

ROOF FRAMING PLAN

SCALE: 1/4"=1'-0" ON 22"x34" OR 1/8"=1'-0" ON 11"x17"



ELEVATION BFK



DR. HORTON, INC.
8801 Arrowridge Blvd.
Charlotte, NC 28273

Hydrex RH
Roof Framing Plan



DATE: 11/24/21
SCALE: 24x34 1/4"=1'-0"
11x17 1/8"=1'-0"
PROJECT: 4-888-1871
DRAWN BY: JSP
CHECKED BY: GIB

2000 0000
REFER TO COVER SHEET FOR A COMPLETE LIST OF REVISIONS
SHEET
55.1

DESIGN SPECIFICATIONS:

Construction Type: Commercial Residential

Applicable Building Codes:

- 2018 North Carolina Residential Building Code with All Local Amendments
ASCE 7-10: Minimum Design Loads for Buildings and Other Structures

Design Loads:

- 1. Roof Live Loads: 11. Conventional 2x 20 PSF, 12. Truss 20 PSF, 12.1. Attic Truss 60 PSF
2. Roof Dead Loads: 21. Conventional 2x 10 PSF, 22. Truss 20 PSF
3. Snow 15 PSF
3.1. Importance Factor 1.0
4. Floor Live Loads: 41. Typ. Dwelling 40 PSF, 42. Sleeping Areas 30 PSF, 43. Decks 40 PSF, 44. Passenger Garage 50 PSF
5. Floor Dead Loads: 51. Conventional 2x 10 PSF, 52. 1-Joist 15 PSF, 53. Floor Truss 15 PSF
6. Ultimate Wind Speed (3 sec. gust) FER PLAN
6.1. Exposure B, 6.2. Importance Factor 1.0, 6.3. Wind Base Shear 6.3.1. Vx = 6.3.2. Vy =

7. Component and Cladding (in PSF)

Table with columns: MEAN ROOF HT., UP TO 30', 30'-35', 35'-40', 40'-45'. Rows: ZONE 1, ZONE 2, ZONE 3, ZONE 4, ZONE 5.

8. Seismic

- 8.1. Site Class D, 8.2. Design Category C, 8.3. Importance Factor 1.0, 8.4. Seismic Use Group I, 8.5. Spectral Response Acceleration 8.5.1. Sm = %g, 8.5.2. Sm = %g, 8.6. Seismic Base Shear 8.6.1. Vx = 8.6.2. Vy =, 8.7. Basic Structural System (check one) [X] Bearing Wall, [] Building Frame, [] Moment Frame, [] Dual w/ Special Moment Frame, [] Dual w/ Intermediate R/C or Special Steel, [] Inverted Pendulum, 8.8. Arch/Mech Components Anchored No, 8.9. Lateral Design Control: Seismic [], Wind [X], 9. Assumed Soil Bearing Capacity 2000psf



STRUCTURAL PLANS PREPARED FOR:

STANDARD DETAILS

PROJECT ADDRESS: TBD, OWNER: DR Horton Carolinas Division, 8001 Arrowridge Blvd, Charlotte, NC 28273

ARCHITECT/DESIGNER:

These drawings are to be coordinated with the architectural, mechanical, plumbing, electrical and civil drawings. This coordination is not the responsibility of the structural engineering of record (SER). Should any discrepancies become apparent, the contractor shall notify SUMMIT Engineering, Laboratory 4 Testing, P.C. before construction begins.

PLAN ABBREVIATIONS:

Table with columns: ABBREVIATION, DESCRIPTION. Rows include AFF, C/J, CLR, DJ, DBP, EE, EW, NTS, OC, PSF, PSL.

Roof truss and floor joist layouts, and their corresponding loading details, were not provided to SUMMIT Engineering, Laboratory 4 Testing, P.C. (SUMMIT) prior to the initial design. Therefore, truss and joist directions were assumed based on the information provided by DR Horton, Inc. Subsequent plan revisions based on roof truss and floor joist layouts shall be noted in the revision list, indicating the date the layouts were provided. Should any discrepancies become apparent, the contractor shall notify SUMMIT immediately.

SHEET LIST:

Table with columns: Sheet No., Description. Rows include CSI, D1m, D1s, D1c, D1b, D1f.

DR HORTON PROJECT SIGN-OFF:

Table with columns: Manager, Signature. Rows include Operations, Operations System, Operations Product Development.

REVISION LIST:

Table with columns: Revision No., Date, Project No., Description. Rows include 1, 2, 3, 4, 5, 6, 7, 8, 9.

GENERAL STRUCTURAL NOTES:

- 1. The design professional whose seal appears on these drawings is the structural engineer of record (SER) for this project. The SER bears the responsibility of the primary structural elements and the performance of this structure. No other party may revise, alter, or delete any structural aspects of these construction documents without written permission of SUMMIT Engineering, Laboratory 4 Testing, P.C. (SUMMIT) or the SER. For the purposes of these construction documents the SER and SUMMIT shall be considered the same entity.
2. The structure is only stable in its completed form. The contractor shall provide all required temporary bracing during construction to stabilize the structure.
3. The SER is not responsible for construction sequences, methods, or techniques in connection with the construction of this structure. The SER will not be held responsible for the contractor's failure to conform to the contract documents, should any non-conformities occur.
4. Any structural elements or details not fully developed on the construction drawings shall be completed under the direction of a licensed professional engineer. These shop drawings shall be submitted to SUMMIT for review before any construction begins. The shop drawings will be reviewed for overall compliance as it relates to the structural design of this project. Verification of the shop drawings for dimensions, or for actual field conditions, is not the responsibility of the SER or SUMMIT.
5. Verification of assumed field conditions is not the responsibility of the SER. The contractor shall verify the field conditions for accuracy and report any discrepancies to SUMMIT before construction begins.
6. The SER is not responsible for any secondary structural elements or non-structural elements, except for the elements specifically noted on the structural drawings.
7. This structure and all construction shall conform to all applicable sections of the International Residential Code.
8. This structure and all construction shall conform to all applicable sections of local building codes.
9. All structural assemblies are to meet or exceed to requirements of the current local building code.

FOUNDATIONS:

- 1. The structural engineer has not performed a subsurface investigation. Verification of this assumed value is the responsibility of the owner or the contractor. Should any adverse soil condition be encountered the SER must be contacted before proceeding.

- 2. The bottom of all footings shall extend below the frost line for the region in which the structure is to be constructed. However, the bottom of all footings shall be a minimum of 12" below grade.
3. Any fill shall be placed under the direction or recommendation of a licensed professional engineer.
4. The resulting soil shall be compacted to a minimum of 95% maximum dry density.
5. Excavations of footings shall be lined temporarily with a 6 mil polyethylene membrane if placement of concrete does not occur within 24 hours of excavation.
6. No concrete shall be placed against any subgrade containing water, ice, frost, or loose material.

STRUCTURAL STEEL:

- 1. Structural steel shall be fabricated and erected in accordance with the American Institute of Steel Construction "Code of Standard Practice for Steel Buildings and Bridges" and the manual of Steel Construction "Load Resistance Factor Design" latest editions.
2. Structural steel shall receive one coat of shop applied rust-inhibitive paint.
3. All steel shall have a minimum yield stress (Fy) of 36 ksi unless otherwise noted.
4. Welding shall conform to the latest edition of the American Welding Society's Structural Welding Code AWS D11. Electrodes for shop and field welding shall be class E70XX. All welding shall be performed by a certified welder per the above standards.

CONCRETE:

- 1. Concrete shall have a normal weight aggregate and a minimum compressive strength (f'c) at 28 days of 3000 psi, unless otherwise noted on the plan.
2. Concrete shall be proportioned, mixed, and placed in accordance with the latest editions of ACI 318: "Building Code Requirements for Reinforced Concrete" and ACI 308: "Specifications for Structural Concrete for Buildings".
3. Air entrained concrete must be used for all structural elements exposed to freeze/thaw cycles and deicing chemicals. Air entrainment amounts (in percent) shall be within -1% to +2% of target values as follows:
3.1. Footings: 5%
3.2. Exterior Slabs: 5%
4. No admixtures shall be added to any structural concrete without written permission of the SER.

- 5. Concrete slabs-on-grade shall be constructed in accordance with ACI 302.1R-96: "Guide for Concrete Slab and Slab Construction".
6. The concrete slab-on-grade has been designed using a subgrade modulus of k=250 pci and a design loading of 200 psf. The SER is not responsible for differential settlement, slab cracking or other future defects resulting from unreported conditions not in accordance with the above assumptions.
7. Control or saw cut joints shall be spaced in interior slabs-on-grade at a maximum of 15'-0" O.C. and in exterior slabs-on-grade at a maximum of 10'-0" unless otherwise noted.
8. Control or saw cut joints shall be produced using conventional process within 4 to 12 hours after the slab has been finished.
9. Reinforcing steel may not extend through a control joint. Reinforcing steel may extend through a saw cut joint.
10. All welded wire fabric (WUF) for concrete slabs-on-grade shall be placed at mid-depth of slab. The WUF shall be securely supported during the concrete pour.

CONCRETE REINFORCEMENT:

- 1. Fibrous concrete reinforcement, or fibermesh, specified in concrete slabs-on-grade may be used for control of cracking due to shrinkage and thermal expansion/contraction, lowered water migration, an increase in impact capacity, increased abrasion resistance, and residual strength.
2. Fibermesh reinforcing to be 100% virgin polypropylene fibers containing no reprocessed olefin materials and specifically manufactured for use as concrete secondary reinforcement.
3. Application of fibermesh per cubic yard of concrete shall equal a minimum of 0.1% by volume (15 pounds per cubic yard).
4. Fibermesh shall comply with ASTM C116, any local building code requirements, and shall meet or exceed the current industry standard.
5. Steel reinforcing bars shall be new billet steel conforming to ASTM A615, grade 60.
6. Detailing, fabrication, and placement of reinforcing steel shall be in accordance with the latest edition of ACI 318: "Manual of Standard Practice for Detailing Concrete Structures".
7. Horizontal footing and wall reinforcement shall be continuous and shall have 90° bends, or corner bars with the same size/spacing as the horizontal reinforcement with a class B tension splice.
8. Lap reinforcement as required, a minimum of 40 bar diameters for tension or compression unless otherwise noted. Splices in masonry shall be a minimum of 40 bar diameters.

- 9. Where reinforcing dowels are required, they shall be equivalent in size and spacing to the vertical reinforcement. The dowel shall extend 48 bar diameters vertically and 20 bar diameters into the footing.
10. Where reinforcing steel is required vertically, dowels shall be provided unless otherwise noted.

WOOD FRAMING:

- 1. Solid sawn wood framing members shall conform to the specifications listed in the latest edition of the "National Design Specification for Wood Construction" (NDS). Unless otherwise noted, all wood framing members are designed to be Spruce-Yellow-Pine (SYP) #2.
2. LVL or PSL engineered wood shall have the following minimum design values:
2.1. E = 1,900,000 psi
2.2. Fv = 2600 psi
2.3. Fx = 285 psi
2.4. Fc = 100 psi
3. Wood in contact with concrete, masonry, or earth shall be pressure treated in accordance with AIAA standard C-19. All other moisture exposed wood shall be treated in accordance with AIAA standard C-7.
4. Nails shall be common wire nails unless otherwise noted.
5. Lag screws shall conform to ANSI/ASME standard B182.1-1981. Lead holes for lag screws shall be in accordance with NDS specifications.
6. All beams shall have full bearing on supporting framing members unless otherwise noted.
7. Exterior and load bearing stud walls are to be 2x4 SYP #2 @ 16" O.C. unless otherwise noted. Studs shall be continuous from the sole plate to the double top plate. Studs shall only be discontinuous at headers for window/door openings. A minimum of one king stud shall be placed at each end of the header. King studs shall be continuous.
8. Individual studs forming a column shall be attached with one 10d nail @ 6" O.C. staggered. The stud column shall be continuous to the foundation or beam. The column shall be properly blocked at all floor levels to ensure proper load transfer.
9. Multi-ply beams shall have each ply attached with (3) 10d nails @ 24" O.C.
10. Fitch beams, 4-ply beams and 3-ply side loaded beams shall be bolted together with (2) rows of 1/2" diameter through bolts staggered @ 16" O.C. unless noted otherwise. Min edge distance shall be 2" and (2) bolts shall be located a min 6" from each end of the beam.

WOOD TRUSSES:

- 1. The wood truss manufacturer/fabricator is responsible for the design of the wood trusses. Submit sealed shop drawings and supporting calculations to the SER for review prior to fabrication. The SER shall have a minimum of five (5) days for review. The review by the SER shall review for overall compliance with the design documents. The SER shall assume no responsibility for the correctness for the structural design of the wood trusses.
2. The wood trusses shall be designed for all required loadings as specified in the local building code, the ASCE Standard "Minimum Design Loads for Buildings and Other Structures" (ASCE 7-05), and the loading requirements shown on these specifications. The truss drawings shall be coordinated with all other construction documents and provisions provided for loads shown on these drawings including but not limited to HVAC equipment, piping, and architectural fixtures attached to the trusses.
3. The trusses shall be designed, fabricated, and erected in accordance with the latest edition of the "National Design Specification for Wood Construction" (NDS) and "Design Specification for Metal Plate Connected Wood Trusses." The truss manufacturer shall provide adequate bracing information in accordance with "Comments and Bracing Recommendations for Handling, Installing and Bracing Metal Plate Connected Wood Trusses" (MIB-9). This bracing, both temporary and permanent, shall be shown on the shop drawings. Also, the shop drawings shall show the required attachments for the trusses.
4. All chords or truss webs shown on these drawings have been shown as a reference only. The final design of the trusses shall be per the manufacturer.
5. EXTERIOR WOOD FRAMED DECKS:
1. Decks are to be framed in accordance with local building codes and as referenced on the structural plans, either through code references or construction details.

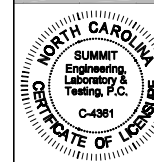
EXTERIOR WOOD FRAMED DECKS:

- 1. Fabrication and placement of structural wood sheathing shall be in accordance with the APA Design/Construction Guide "Residential and Commercial," and all other applicable APA standards.
2. All structurally required wood sheathing shall bear the mark of the APA.

- 3. Wood wall sheathing shall comply with the requirements of local building codes for the appropriate state as indicated on these drawings. Refer to wall bracing notes in plan set for more information. Sheathing shall be applied with the long direction perpendicular to framing, unless noted otherwise.
4. Roof sheathing shall be APA rated sheathing exposure 1 or 2. Roof sheathing shall be continuous over two supports and attached to its supporting roof framing with (1)-8d CC nail at 6" o/c at panel edges and at 12" o/c in panel field unless otherwise noted on the plans. Sheathing shall be applied with the long direction perpendicular to framing. Sheathing shall have a span rating consistent with the framing spacing. Use suitable edge support by use of plywood clips or lumber blocking unless otherwise noted. Panel end joints shall occur over framing. Apply building paper over the sheathing as required by the state Building Code.
5. Wood floor sheathing shall be APA rated sheathing exposure 1 or 2. Attach sheathing to its supporting framing with (1)-8d CC ringshank nail at 6" o/c at panel edges and at 12" o/c in panel field unless otherwise noted on the plans. Sheathing shall be applied perpendicular to framing. Sheathing shall have a span rating consistent with the framing spacing. Use suitable edge support by use of T&G plywood or lumber blocking unless otherwise noted. Panel end joints shall occur over framing. Apply building paper over the sheathing as required by the state Building Code.
6. Sheathing shall have a 1/8" gap at panel ends and edges as recommended in accordance with the APA.

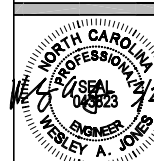
STRUCTURAL FIBERBOARD PANELS:

- 1. Fabrication and placement of structural fiberboard sheathing shall be in accordance with the applicable AFA standards.
2. All structurally required fiberboard sheathing shall bear the mark of the AFA.
3. Fiberboard wall sheathing shall comply with the requirements of local building codes for the appropriate state as indicated on these drawings. Refer to wall bracing notes in plan set for more information.
4. Sheathing shall have a 1/8" gap at panel ends and edges as recommended in accordance with the AFA.



CLIENT: DR Horton Carolinas Division, 8001 Arrowridge Blvd, Charlotte, NC 28273

PROJECT: Standard Details, Cover Sheet



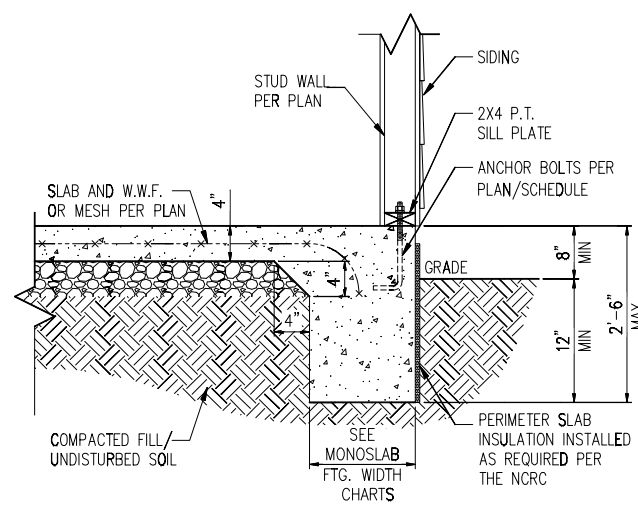
STRUCTURAL MEMBERS ONLY

DRAWN: DATE: 10/28, SCALE: 1/8" = 1'-0", PROJECT: P-3901-DR, CHECKED BY: JAJ

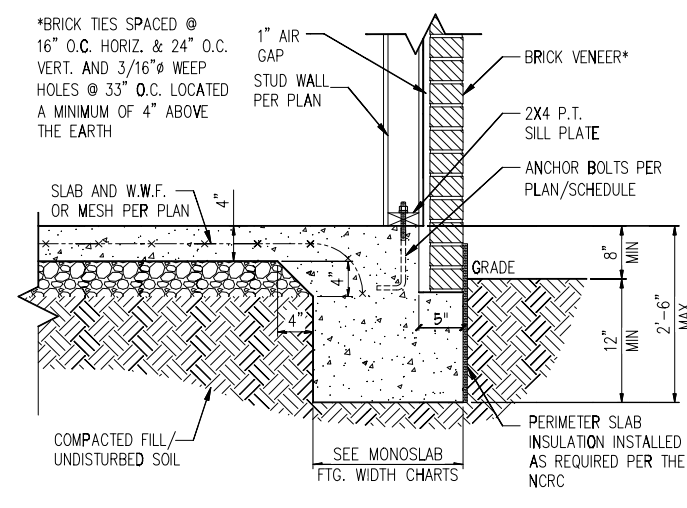
ORIGINAL INFORMATION: PROJECT #, DATE: 10/28/21

REFER TO COVER SHEET FOR A COMPLETE LIST OF REVISIONS

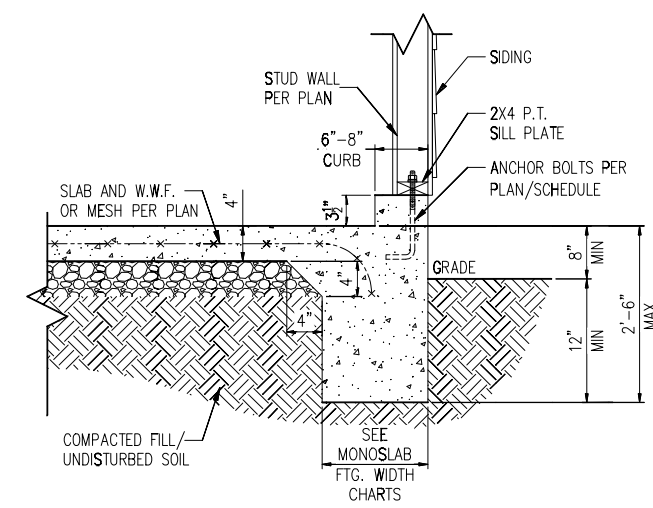
SHEET: CSI



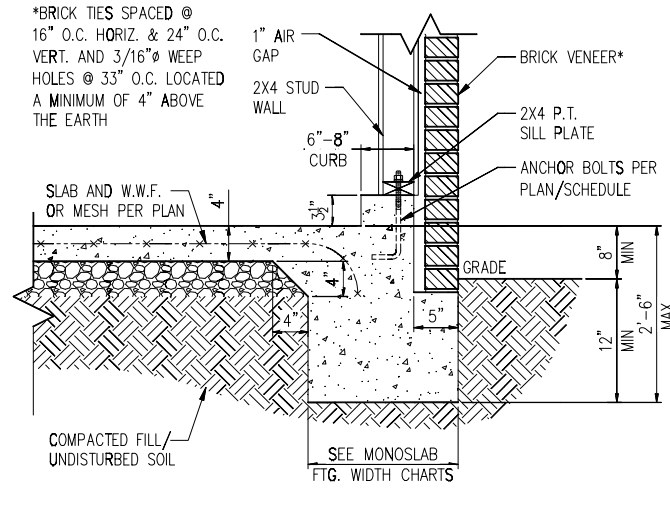
STANDARD - SIDING



STANDARD - BRICK



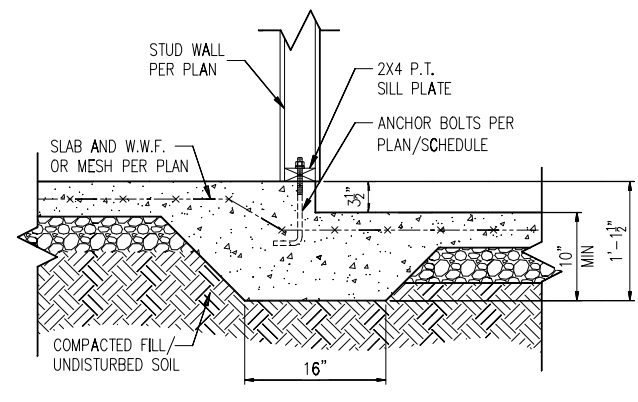
STANDARD - SIDING



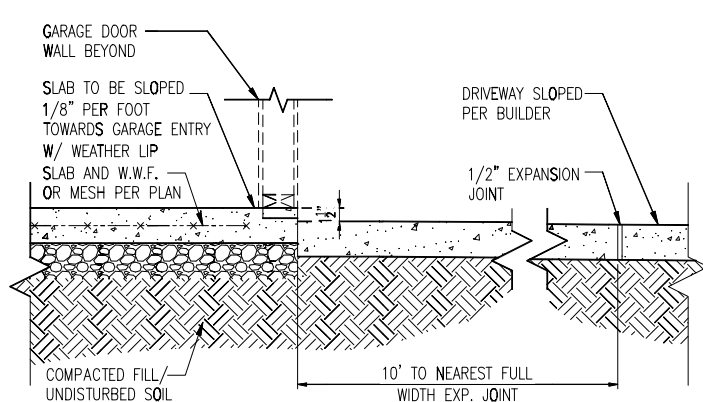
STANDARD - BRICK

1 TYP. SLAB DETAIL
D1m N.T.S.

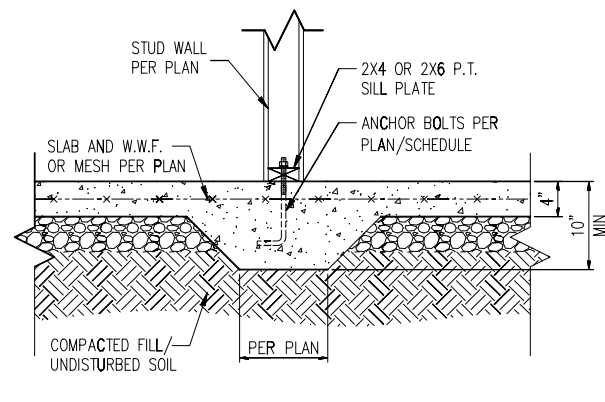
2 TYP. GARAGE CURB DETAIL
D1m N.T.S.



3 STEP IN GARAGE
D1m N.T.S.



4 SLAB AT GARAGE DOOR
D1m N.T.S.



5 TYP. THICKENED SLAB DETAIL
D1m N.T.S.

MONOLITHIC FOOTING WIDTH

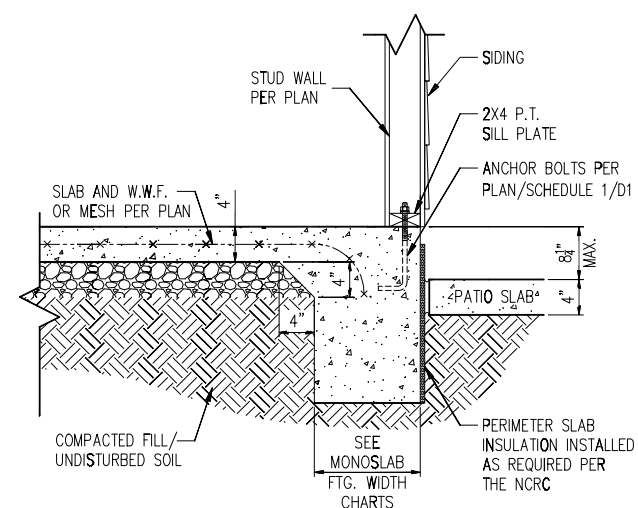
# OF STORIES	WIDTH BASED ON SOIL BEARING CAPACITY		
	1500 PSF	2000 PSF	2500 PSF
1 STORY - STD.	16"	16"	16"
1 STORY - BRICK VENEER	21"	21"	21"
2 STORY - STD.	16"	16"	16"
2 STORY - BRICK VENEER	21"	21"	21"
3 STORY - STD.	23"	18"	18"
3 STORY - BRICK VENEER	32"	24"	24"

*5" BRICK LEDGE HAS BEEN ADDED TO THE MONOLITHIC FOOTING WIDTH FOR BRICK SUPPORT

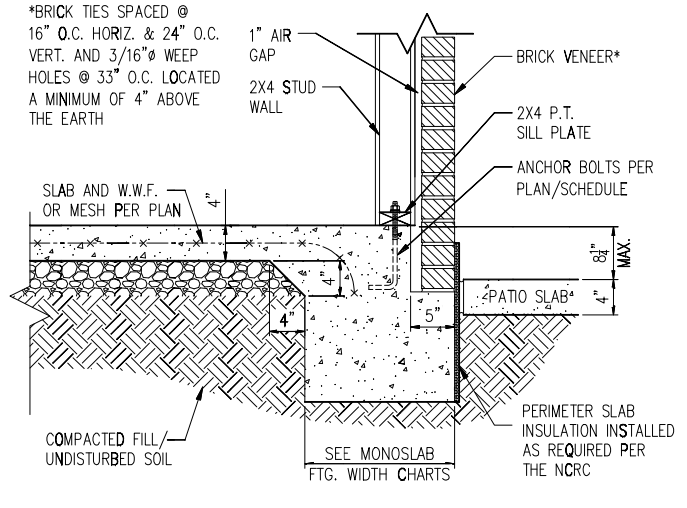
WALL ANCHOR SCHEDULE

TYPE OF ANCHOR	MIN. CONC. EMBEDMENT	SPACING EMBEDMENT	INTERIOR WALL	EXTERIOR WALL
1/2" A307 BOLTS w/ STD. 90° BEND	7"	6'-0"	YES	YES
SST - MAS	4"	5'-0"	NO	YES
HILTI KWIK BOLT KBI 1/2-2-3/4	2-1/4"	6'-0"	YES	NO
1/2" HILTI THREADED ROD w/ HIT HY150 ADHESIVE	7"	6'-0"	YES	YES

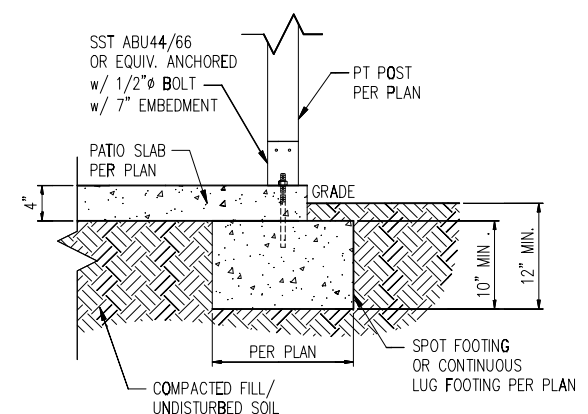
NOTE: INSTALL ALL ANCHORS 12" MAX. FROM ALL BOTTOM PLATE ENDS AND JOINTS.



STANDARD - SIDING



STANDARD - BRICK



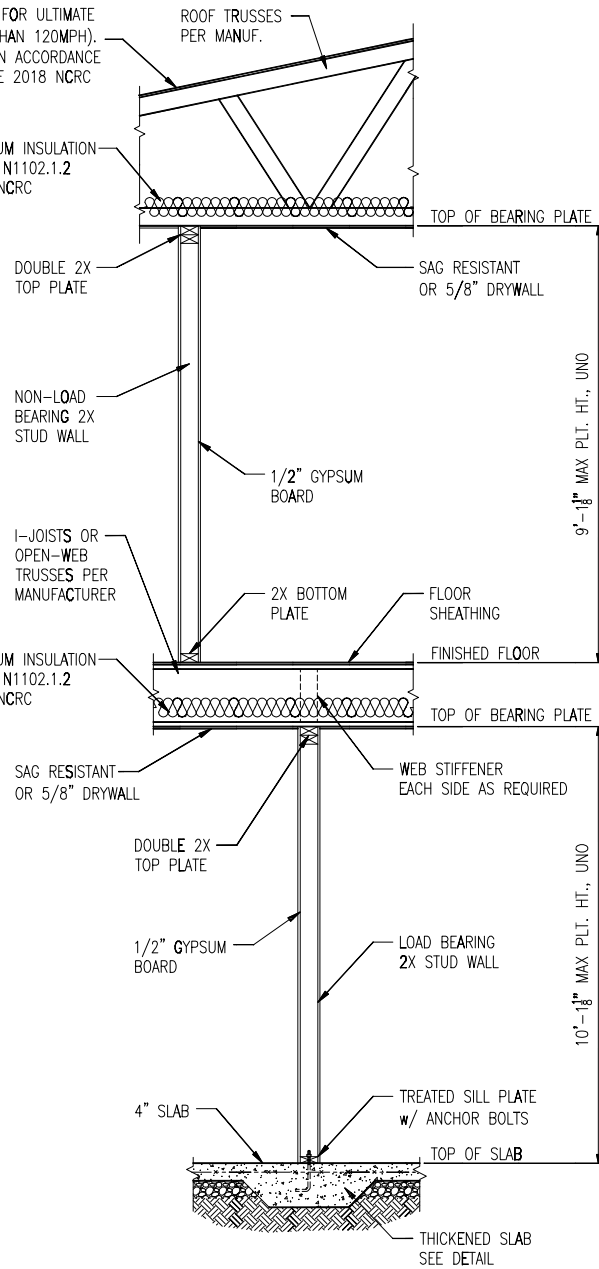
6A COVERED PATIO DETAIL
D1m N.T.S.

6 PATIO SLAB DETAIL
D1m N.T.S.

- NOTES:
- REFER TO GENERAL NOTES & SPECIFICATIONS ON COVERSHEET FOR ADDITIONAL INFORMATION.
 - PROVIDE 6 MIL VAPOR BARRIER UNDER ALL SLABS-ON-GRADE.
 - SEE ARCH. DWGS. FOR ALL TOP OF THE SLAB ELEVATIONS, SLOPES AND DEPRESSIONS.
 - REFER TO STRUCTURAL PLANS AND FRAMING DETAILS FOR BRACED WALL PANEL LAYOUT, DIMENSIONS, ATTACHMENT AND CONNECTIONS
 - REFER TO LOCAL AND STATEWIDE CODES FOR ADDITIONAL AMENDMENTS AND REQUIREMENTS NOT SHOWN
 - PERIMETER INSULATION SHOWN AS REQUIRED BY LOCAL CLIMATE ZONE. INSTALL PER TABLE N1102.1.2 OF THE 2018 NCR

MIN. 3/8" ROOF SHEATHING SECURED IN ACCORDANCE WITH FIGURE TABLE R602.3(1) (SEE NOTE G FOR ULTIMATE WIND SPEEDS GREATER THAN 120MPH). PROVIDE UNDERLAYMENT IN ACCORDANCE WITH CHAPTER 9 OF THE 2018 NCRC

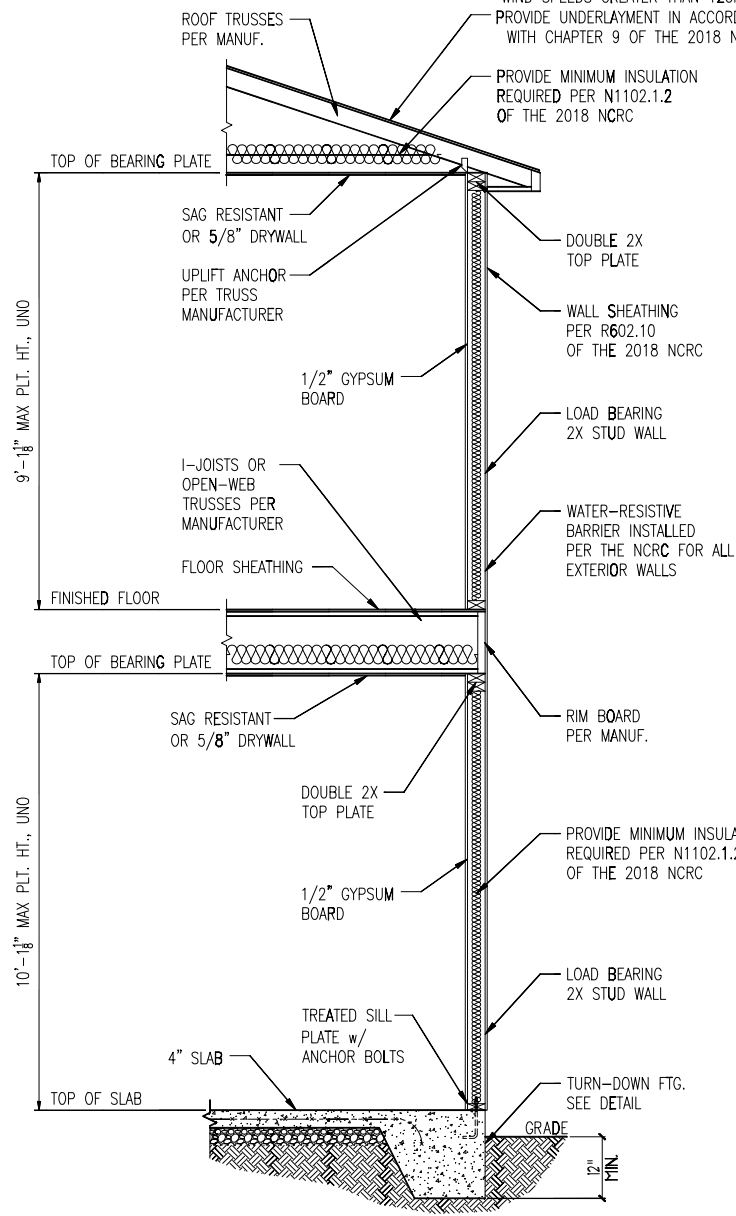
PROVIDE MINIMUM INSULATION REQUIRED PER N1102.1.2 OF THE 2018 NCRC



1 TYP. INTERIOR LOAD BEARING WALL SECTION
D2m N.T.S.

MIN. 3/8" ROOF SHEATHING SECURED IN ACCORDANCE WITH FIGURE TABLE R602.3(1) (SEE NOTE G FOR ULTIMATE WIND SPEEDS GREATER THAN 120MPH). PROVIDE UNDERLAYMENT IN ACCORDANCE WITH CHAPTER 9 OF THE 2018 NCRC

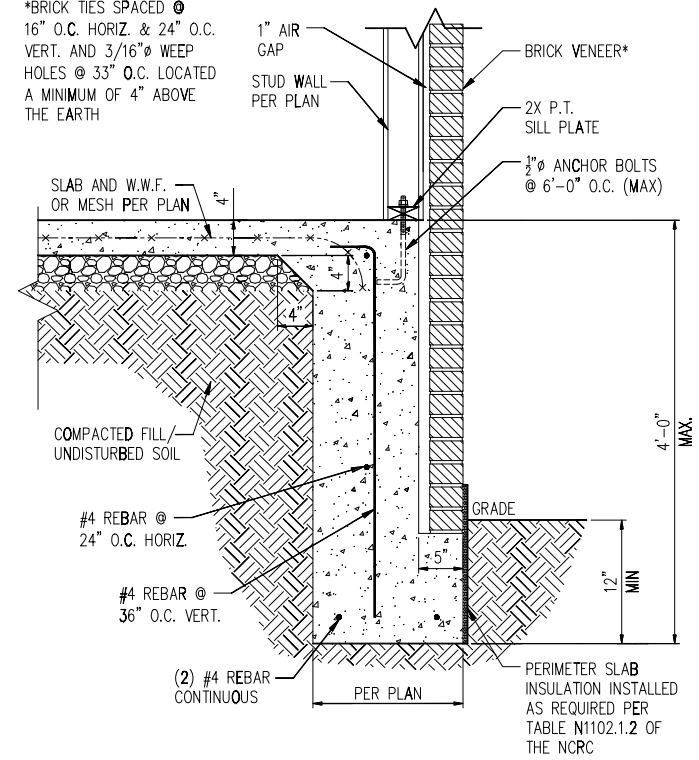
PROVIDE MINIMUM INSULATION REQUIRED PER N1102.1.2 OF THE 2018 NCRC



2 TYP. EXTERIOR LOAD BEARING WALL SECTION
D2m N.T.S.

-SIMILAR w/ BRICK AND STONE
-BRICK TIES SPACED @ 16" O.C. HORIZ. & 24" O.C. VERT.
-MIN. 3/16" WEEP HOLES @ 33" O.C.

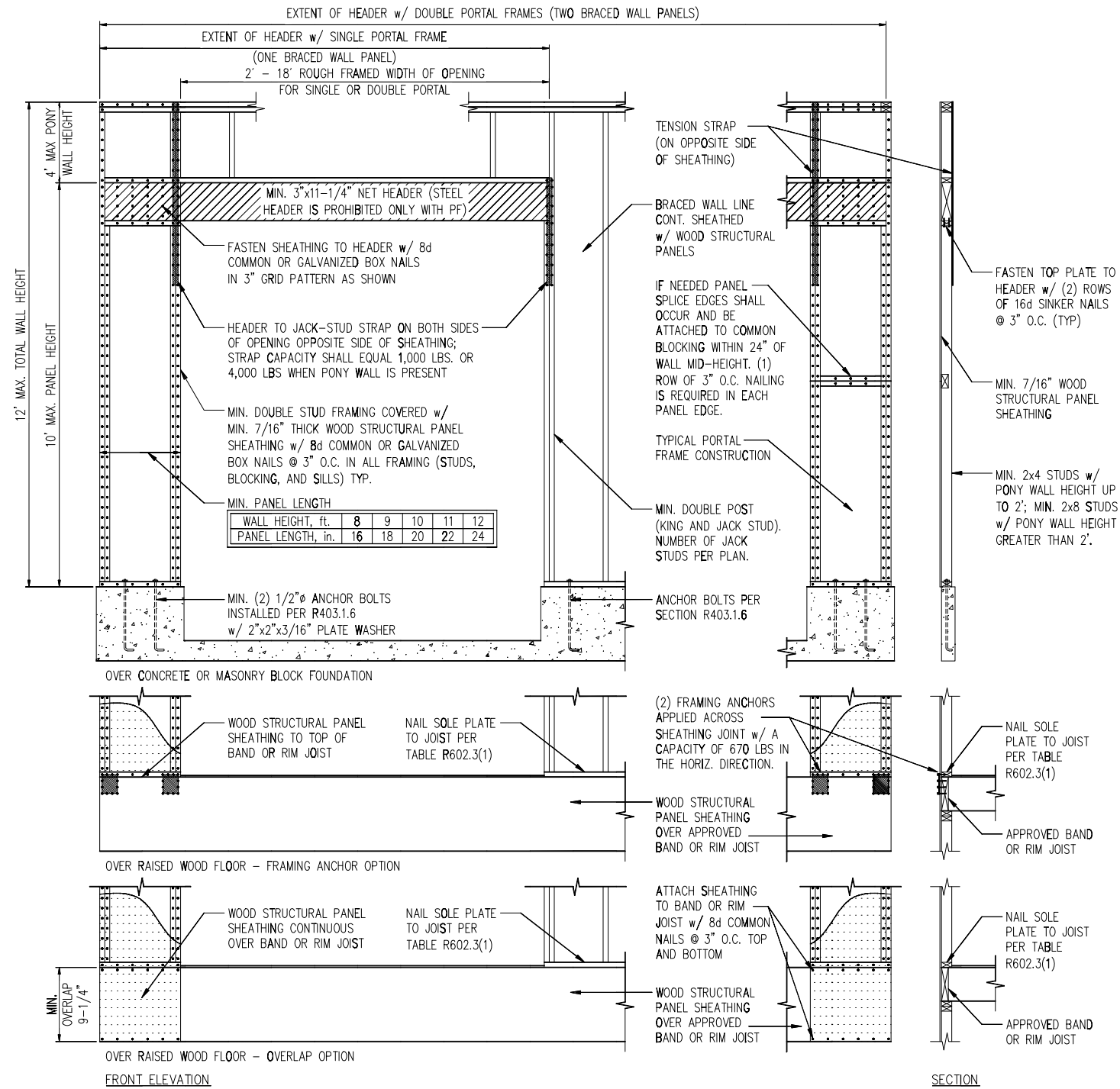
*BRICK TIES SPACED @ 16" O.C. HORIZ. & 24" O.C. VERT. AND 3/16" WEEP HOLES @ 33" O.C. LOCATED A MINIMUM OF 4" ABOVE THE EARTH



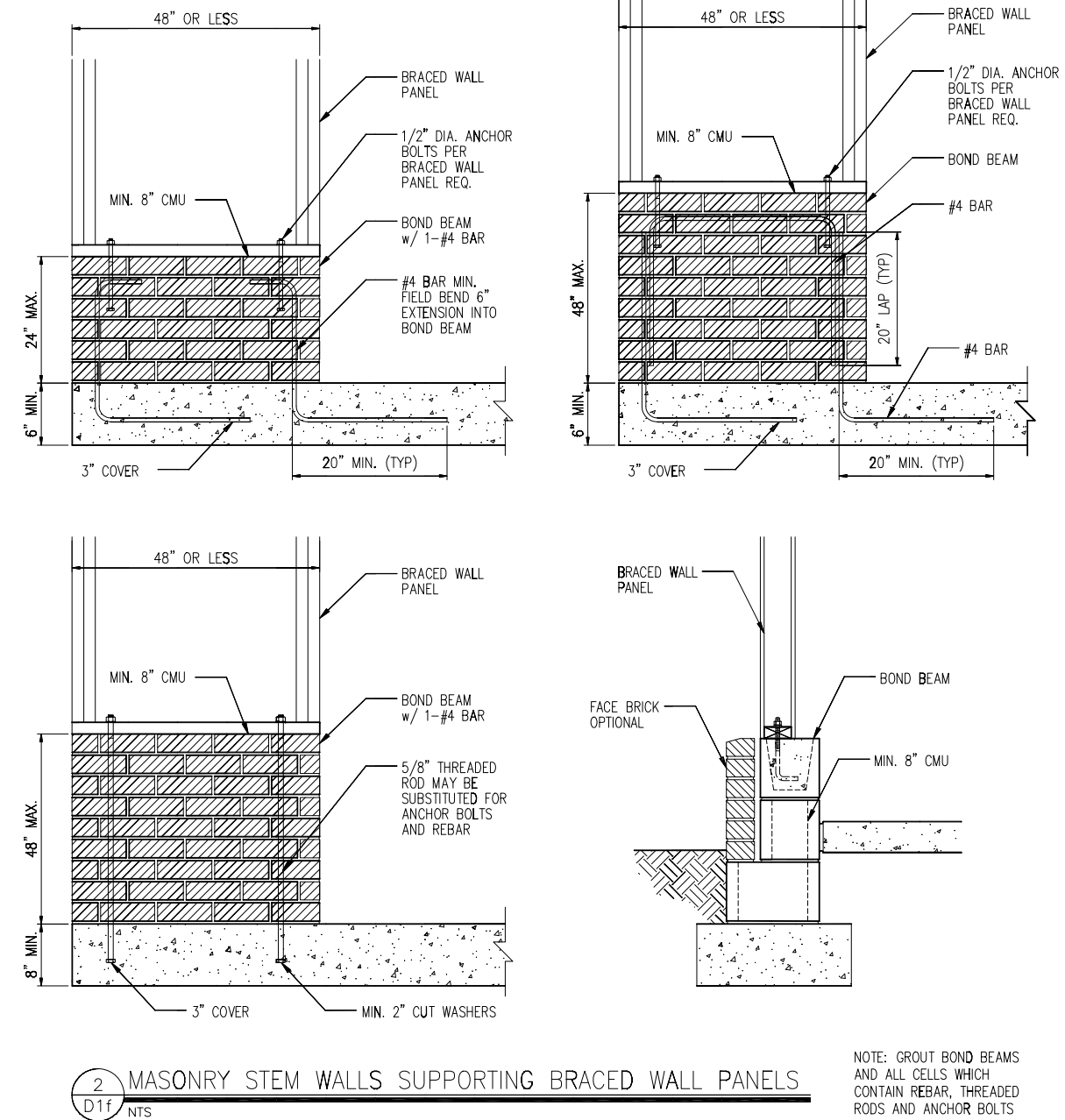
3 TALL SLAB DETAIL
D2m N.T.S.

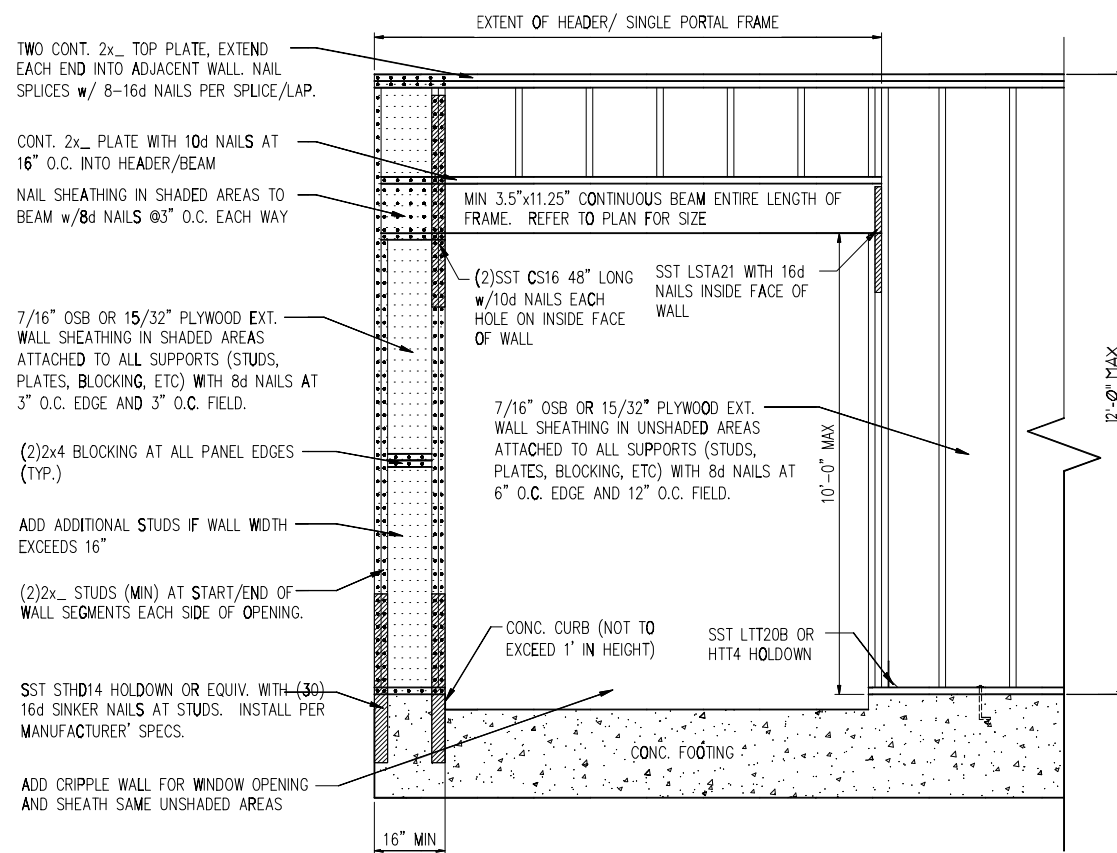
NOTES:

- REFER TO GENERAL NOTES & SPECIFICATIONS ON COVERSHEET FOR ADDITIONAL INFORMATION.
- PROVIDE 6 MIL VAPOR BARRIER UNDER ALL SLABS-ON-GRADE.
- SEE ARCH. DWGS. FOR ALL TOP OF THE SLAB ELEVATIONS, SLOPES AND DEPRESSIONS.
- REFER TO STRUCTURAL PLANS AND FRAMING DETAILS FOR BRACED WALL PANEL LAYOUT, DIMENSIONS, ATTACHMENT AND CONNECTIONS
- REFER TO LOCAL AND STATEWIDE CODES FOR ADDITIONAL AMENDMENTS AND REQUIREMENTS NOT SHOWN
- PERIMETER INSULATION SHOWN AS REQUIRED BY LOCAL CLIMATE ZONE. INSTALL PER TABLE N1102.1.2 OF THE 2018 NCRC

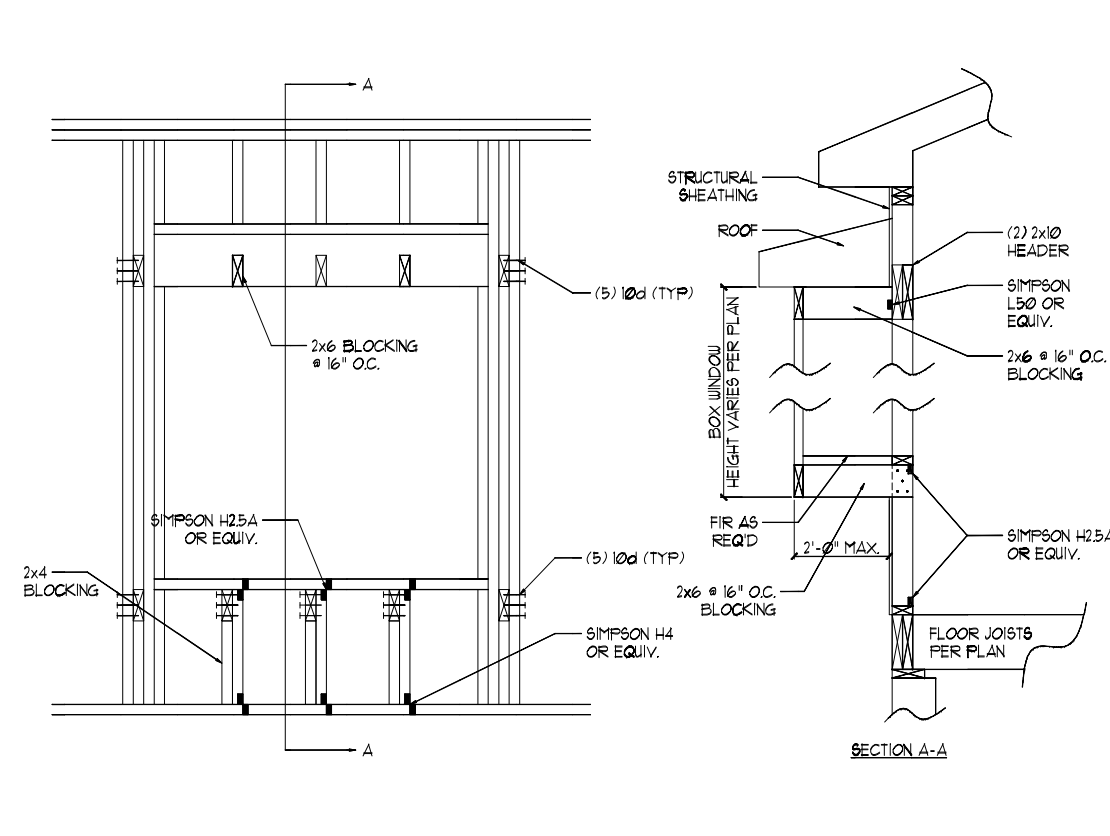
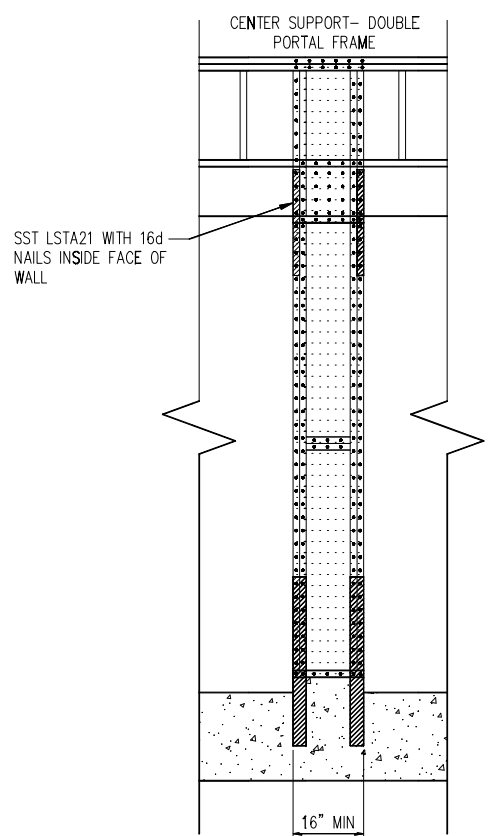


1 METHOD PF: PORTAL FRAME DETAIL
D1f 3/8" = 1'-0"

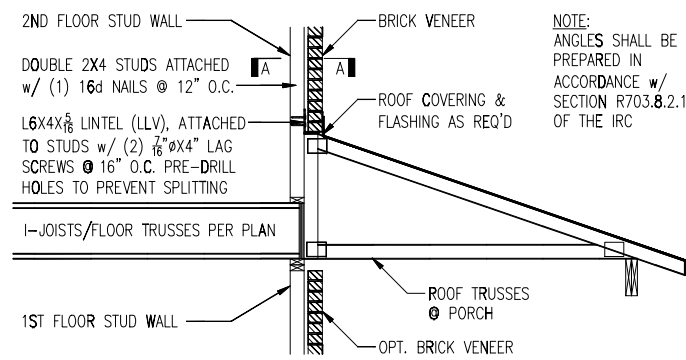




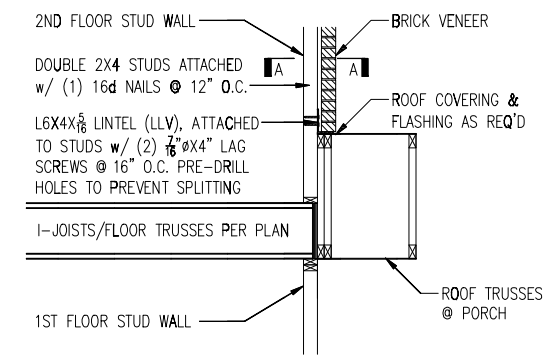
1 METHOD PF: PORTAL FRAME DETAIL w/ HOLD-DOWNS
 D2f 3/4" = 1'-0"



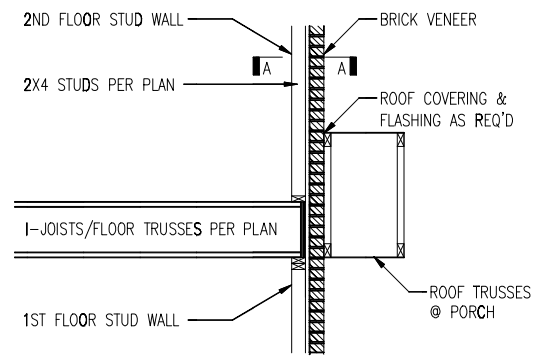
2 BOX WINDOW DETAIL
 D2f N.T.S.



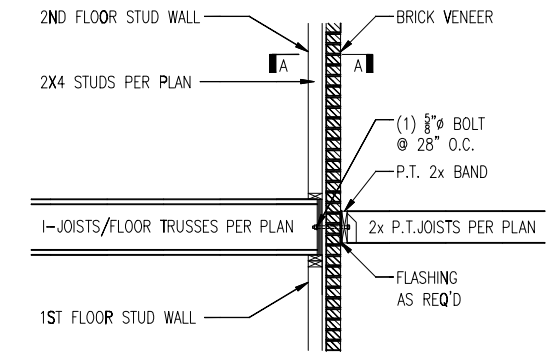
TRUSSES PERPENDICULAR TO STUD WALL



TRUSSES PARALLEL TO STUD WALL

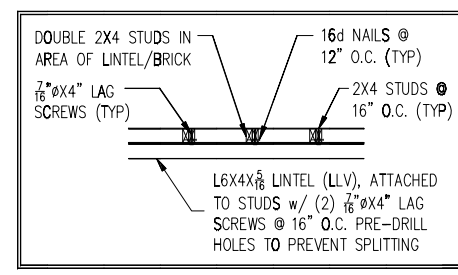


TRUSSES PARALLEL TO STUD WALL
 w/ CONTINUOUS BRICK VENEER

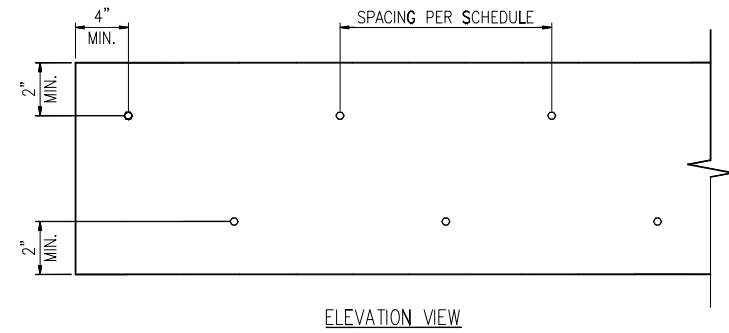


4 BALCONY JOIST ATTACHMENT
 D2f N.T.S.

3 BRICK SUPPORT ABOVE STORAGE/PORCH ROOF DETAIL
 D2f N.T.S.



SECTION A-A
 N.T.S.

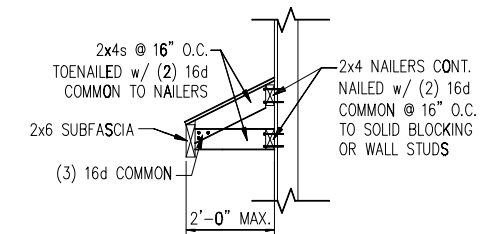


1 MULTI-PLY BEAM CONNECTION DETAIL
D3f N.T.S.

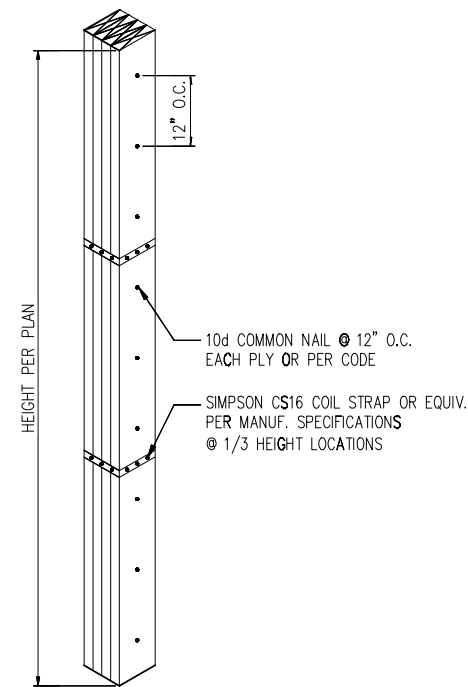
MINIMUM FASTENING REQUIREMENTS FOR TOP- AND SIDE-LOADED MEMBERS

FASTENER TYPE	LVL DEPTH	3 1/2" WIDE		5 1/2" WIDE		7" WIDE	
		2-Ply 1 3/4"	3-Ply 1 3/4"	1 3/4" + 3 1/2"	4-Ply 1 3/4"	2-Ply 1 3/4" + 3 1/2"	2-Ply 3 1/2"
10d (0.128" x 3") Nails	7 1/4" ≤ d < 14"	3 rows @ 12" o.c.	3 rows @ 12" o.c. (ES)	3 rows @ 12" o.c.	-	3 rows @ 12" o.c. (ES)	-
	d ≥ 14"	4 rows @ 12" o.c.	4 rows @ 12" o.c. (ES)	4 rows @ 12" o.c.	-	4 rows @ 12" o.c. (ES)	-
16d (0.162" x 3 1/2") Nails	7 1/4" ≤ d < 14"	2 rows @ 12" o.c.	2 rows @ 12" o.c. (ES)	2 rows @ 12" o.c.	-	2 rows @ 12" o.c. (ES)	-
	d ≥ 14"	3 rows @ 12" o.c.	3 rows @ 12" o.c. (ES)	3 rows @ 12" o.c.	-	3 rows @ 12" o.c. (ES)	-
1/2" Through Bolts		2 rows @ 24" o.c.	2 rows @ 24" o.c.	2 rows @ 24" o.c.	-	2 rows @ 24" o.c.	-
SDS 1/4" x 3 1/2", WS35, 3 1/2" TrussLok	d ≥ 7 1/4"	2 rows @ 24" o.c.	2 rows @ 24" o.c. (ES)	2 rows @ 24" o.c.	-	2 rows @ 24" o.c. (ES)	-
SDS 1/4" x 6", WS6		-	-	-	2 rows @ 24" o.c. (ES)	-	-
5" TrussLok		-	2 rows @ 24" o.c.	-	-	-	-
6 1/4" TrussLok		-	-	-	2 rows @ 24" o.c.	-	-

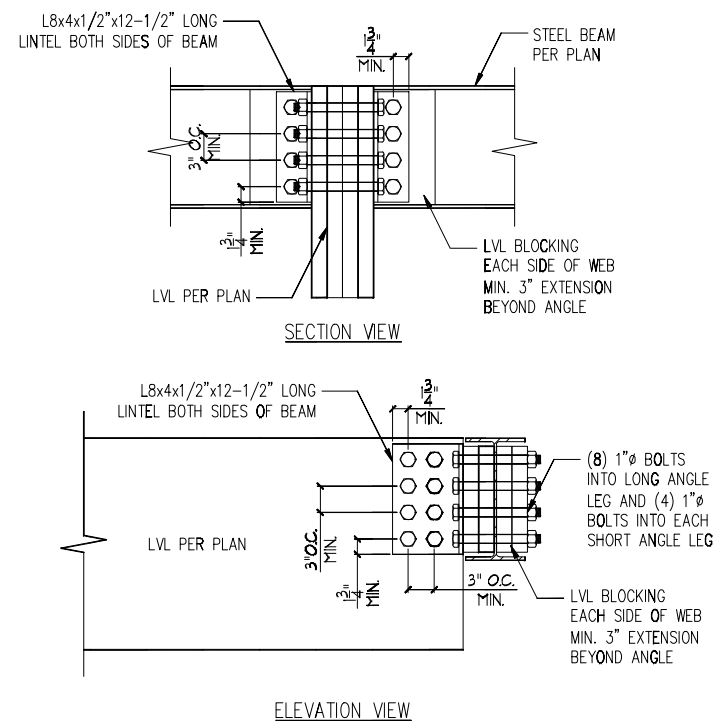
NOTES:
 1. All fasteners must meet the minimum requirements in the table above. Side-loaded multiple-ply members must meet the minimum fastening and side-loading capacity requirements given on page 48.
 2. Minimum fastening requirements for depths less than 7 1/4" require special consideration. Please contact your technical representative.
 3. Three general rules for staggering or offsetting for a certain fastener schedule:
 (1) If staggering or offsetting is not referenced, then none is required.
 (2) If staggering is referenced, then fasteners installed in adjacent rows on the front side are to be staggered up to one-half the o.c. spacing, but maintaining the fastener clearances above; and
 (3) If "ES" is referenced, then the fastener schedule must be repeated on each side, with the fasteners on the back side offset up to one-half the o.c. spacing of the front side (whether or not it is staggered).



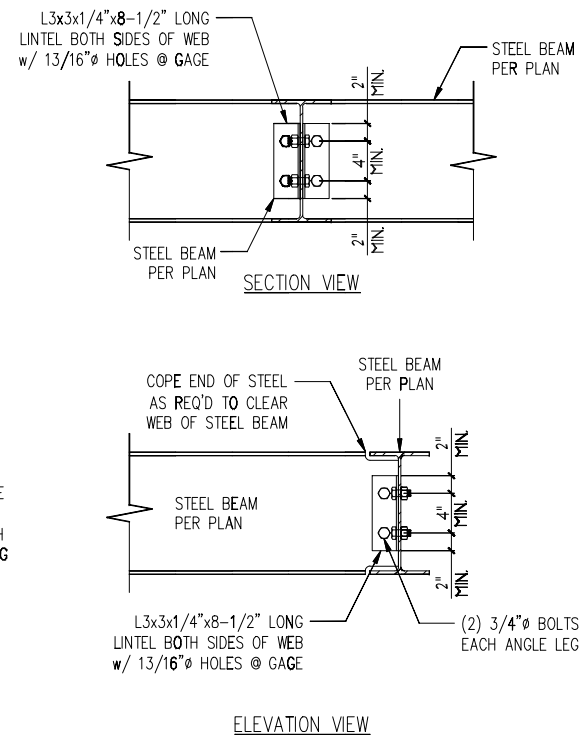
5 GABLE ROOF RETURN
D3f N.T.S.



2 MULTI-PLY STUD CONNECTION DETAIL
D3f N.T.S. 4+ PLIES



3 LVL TO STEEL DETAIL
D3f N.T.S.



4 STEEL TO STEEL DETAIL
D3f N.T.S.

DN01 DO NOT cut, notch or drill flanges

DN04 DO NOT cut holes near bearing support

Minimum distance per Boise joist hole chart.

F05 23/32" min. plywood/OSB or rimboard closure

Nail with 5d nails into each flange. BCI® joist blocking required for cantilever.

F05-A

Inverted hanger. BCI® (A,B) joist blocking required for cantilever. 5d nails @ 6" o.c.

F06

Load bearing wall above (stacked over wall below).

F16-C

Web stiffeners are not required when top flange is laterally supported by joist hanger. 0.6 X Joist depth.

F07

See Boise literature for vertical load capacity. Boise Rimboard. Nail Boise Rimboard to BCI® joist with 5d nail into each flange. Boise I-Joist can be offset up to 3" to avoid vertical plumbing.

DJ-A

Note: Sheathing shall not span greater than rating.

F08

Solid block all posts from above to bearing below.

F08-A

Solid block all posts from above to bearing below.

F09

Load bearing wall above (stacked over wall below).

F10

Backer block (12" wide min.) Nail with 10-10d nails. Install tight to top flange. Joist hanger. Filler block. Nail with 10-10d nails. Backer block required where top mount hanger load exceeds 250 lbs. Install tight to top flange.

F16-E

Stiffeners are required on both sides of the web when: - Hangers with side nailing. - Any hanger with sides not containing the top flange of the joist. - Web stiffener nailed with 3 - 3" (10d) nails for 9 1/2" and 11 7/8" joists, and 5 - 3" (10d) nails for 14" & 16" joists. For Point Load from above: Install web stiffeners tight against top flange with 1/8" gap between bottom flange.

F58-B

Double BCI® Joist Connection. Filler Block (see chart). Web-Filler Nailing 12" OC.

Backer and Filler Block Dimensions		
BCI® Joist Series	Backer Block Thickness	Filler Block Thickness
5000s 1.8	3/4" or 7/8" wood panels	Two 3/4" wood panels or 2 x ___
6000s 1.8	1-1/8" or two 1/2" wood panels	2 x ___ + 5/8" or 3/4" wood panel
6500s 1.8	1-1/8" or two 1/2" wood panels	2 x ___ + 5/8" or 3/4" wood panel
60 2.0	1-1/8" or two 1/2" wood panels	2 x ___ + 5/8" or 3/4" wood panel
90 2.0	2 x ___ lumber	Double 2 x ___ lumber

Connection valid for all applications. Contact Boise EWP Engineering for specific conditions.



Second Floor Layout

Products					
PlotID	Length	Product	Plies	Net Qty	
1	39' 0"	14" BCI® 5000s-1.8	1	12	
2	21' 0"	14" BCI® 5000s-1.8	1	2	
3	20' 0"	14" BCI® 5000s-1.8	1	5	
4	20' 0"	14" BCI® 5000s-1.8	1	13	
5	20' 0"	14" BCI® 5000s-1.8	2	2	
6	20' 0"	14" BCI® 5000s-1.8	2	2	
7	16' 0"	14" BCI® 5000s-1.8	1	4	
8	16' 0"	14" BCI® 5000s-1.8	1	6	
9	3' 0"	14" BCI® 5000s-1.8	2	2	
10	2' 0"	14" BCI® 5000s-1.8	2	2	
DB2	8' 0"	1-3/4" x 9-1/2" VERSA-LAM® 2.0 3100 SP	2	2	
DB3	8' 0"	1-3/4" x 9-1/2" VERSA-LAM® 2.0 3100 SP	2	2	
11	20' 0"	1-3/4" x 14" VERSA-LAM® 2.0 3100 SP	4	4	
DB1	22' 0"	1-3/4" x 16" VERSA-LAM® 2.0 3100 SP	2	2	
Rm-1	12' 0"	1" x 14" BC RIM BOARD OSB	1	15	
Bk1	1' 5 7/16"	14" BCI® 5000s-1.8	1	6	

Connector Summary			
PlotID	Qty	Manuf	Product
H1	3	Simpson	HU4.12/11
H2	17	Simpson	IUS2.06/14
ADD*	120	N/A	1/2"x8" Bolt Sets*

Indicates "NO CUT END" === Material to be Trimmed from OTHER END ONLY

***** ANY Concealed Flange Hangers MUST be installed PRIOR to Setting the Carried Members! *****

International Residential Code - R502.8.2 Engineered Wood Products - - - Cuts, notches and holes bored in trusses, laminated veneer lumber, glue-laminated members or I-joists are not permitted unless such penetrations are specifically considered in the design of the member or meet the manufacturers guidelines.

Builder or framer should review this material placement layout prior to beginning construction of floor system. This layout DOES NOT supersede the plan set.

Dimensions to any obstructions are approximate and should be field verified. Any discrepancies will be reported prior to floor installation.

Squash blocks shall be installed under all point loads, and are to be greater than or equal to the dimensions of the post transferring the load from above.

All materials, (EWP, hangers etc.) shall be installed per manufacturer specific installation guides.

Plan Information

Lot Number: 128 Woodgrove

Model: Hayden F

Builder: Builder Name

Boise BC FRAMER II / SAPHIRE Structure

Plan Date: 02/12/2021

Structural Date: 02/12/2021

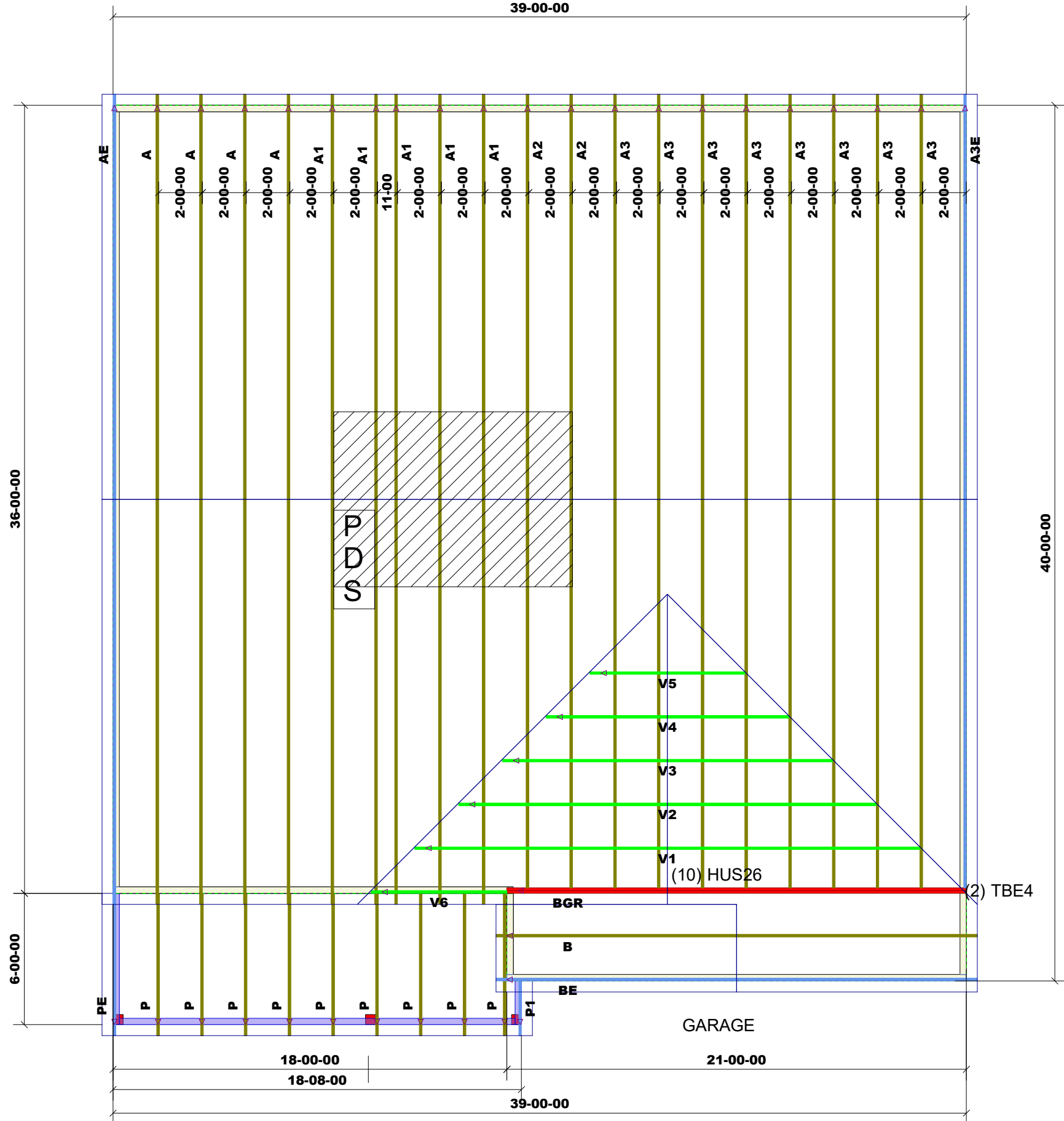
Not To Scale By: JH

Sheet: 2/4 Current Date: Enter Current Date

THIS LAYOUT IS INTENDED FOR THE PURPOSE OF TRUSS LOCATION AND PLACEMENT ONLY. REFER TO THE BUILDING PLANS FOR ACTUAL BUILDING CONSTRUCTION.



DEDICATED TO QUALITY AND EXCELLENCE
 200 EMMETT ROAD
 DUNN, NORTH CAROLINA 28334
 PHONE: 910-892-8400



PROJECT:	
CUSTOMER:	D.R. HORTON - RAL - 055
MODEL:	HAYDEN B.F.K
QUOTE #:	31857
PRINT DATE:	4/28/2022
DRAWN BY:	Rodney Evans
SCALE:	N.T.S

TOP LIVE LOAD: 20.0 lb/ft ²
TOP DEAD LOAD: 10.0 lb/ft ²
BOTTOM DEAD LOAD: 10.0 lb/ft ²
WIND SPEED: 130 mph

GENERAL NOTES:

- DO NOT CUT OR MODIFY TRUSSES
- TRUSSES ARE SPACED 24" ON CENTER UNLESS OTHERWISE NOTED
- REFER TO THE INDIVIDUAL TRUSS DESIGN DRAWINGS FOR THE LOCATION OF LATERAL BRACING AND MULTI-PLY CONNECTION REQUIREMENTS.
- PER ANSI TPI 1-2002 THE TRUSS ENGINEER IS RESPONSIBLE FOR TRUSS TO TRUSS CONNECTIONS AND TRUSS PLY TO PLY CONNECTIONS. THIS TRUSS PLAN RECOMMENDS TRUSS TO BEARING CONNECTIONS AND TRUSS TO BEAM CONNECTIONS WHICH SHALL BE REVIEWED BY THE BUILDING DESIGNER. IT IS THE RESPONSIBILITY OF THE BUILDING DESIGNER TO RESOLVE ALL ROOF FORCES ADEQUATELY TO THE FOUNDATION.

1st Level Roof Area	2nd Level Roof Area
129.83	0

HANGERS:
 (10) HUS26
 (2) TBE4
 (48) H2.5