

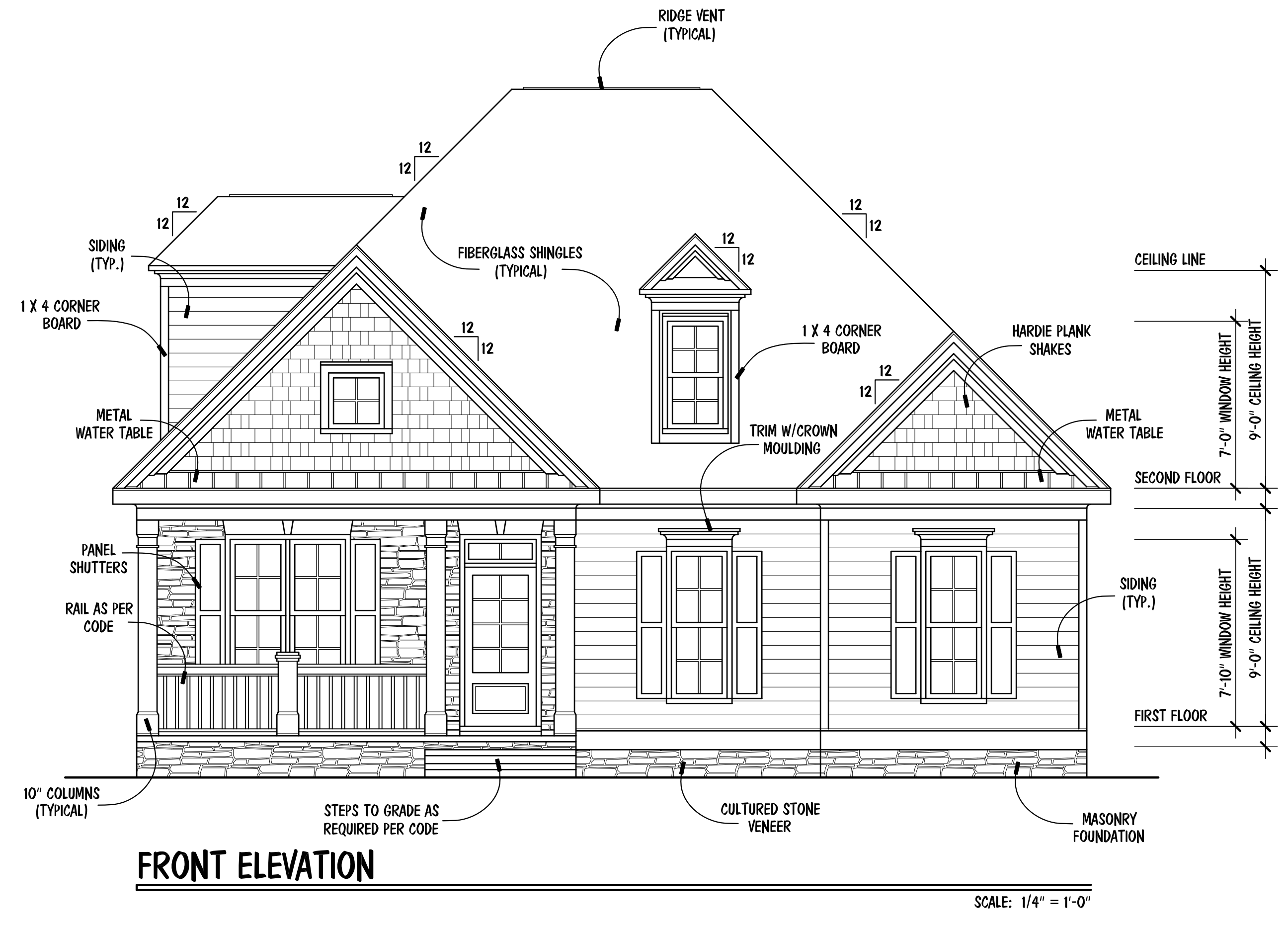
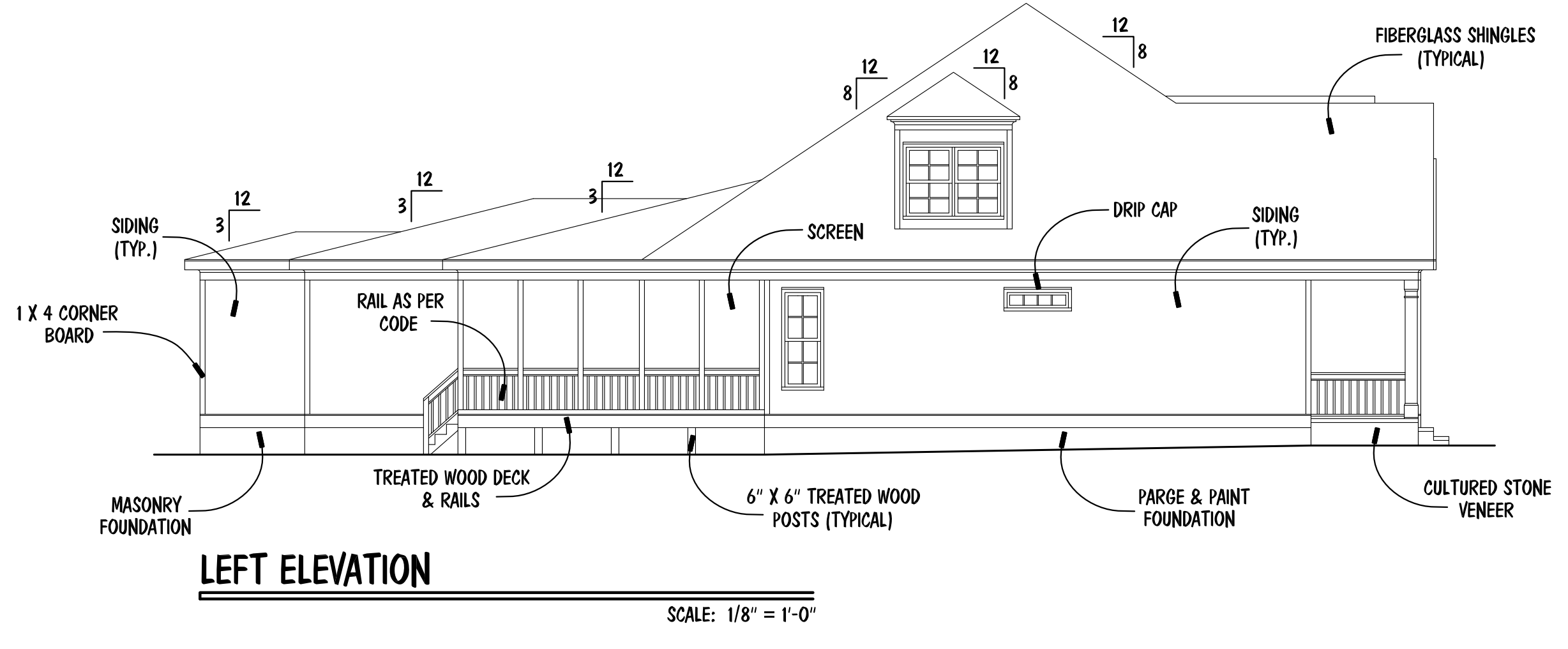
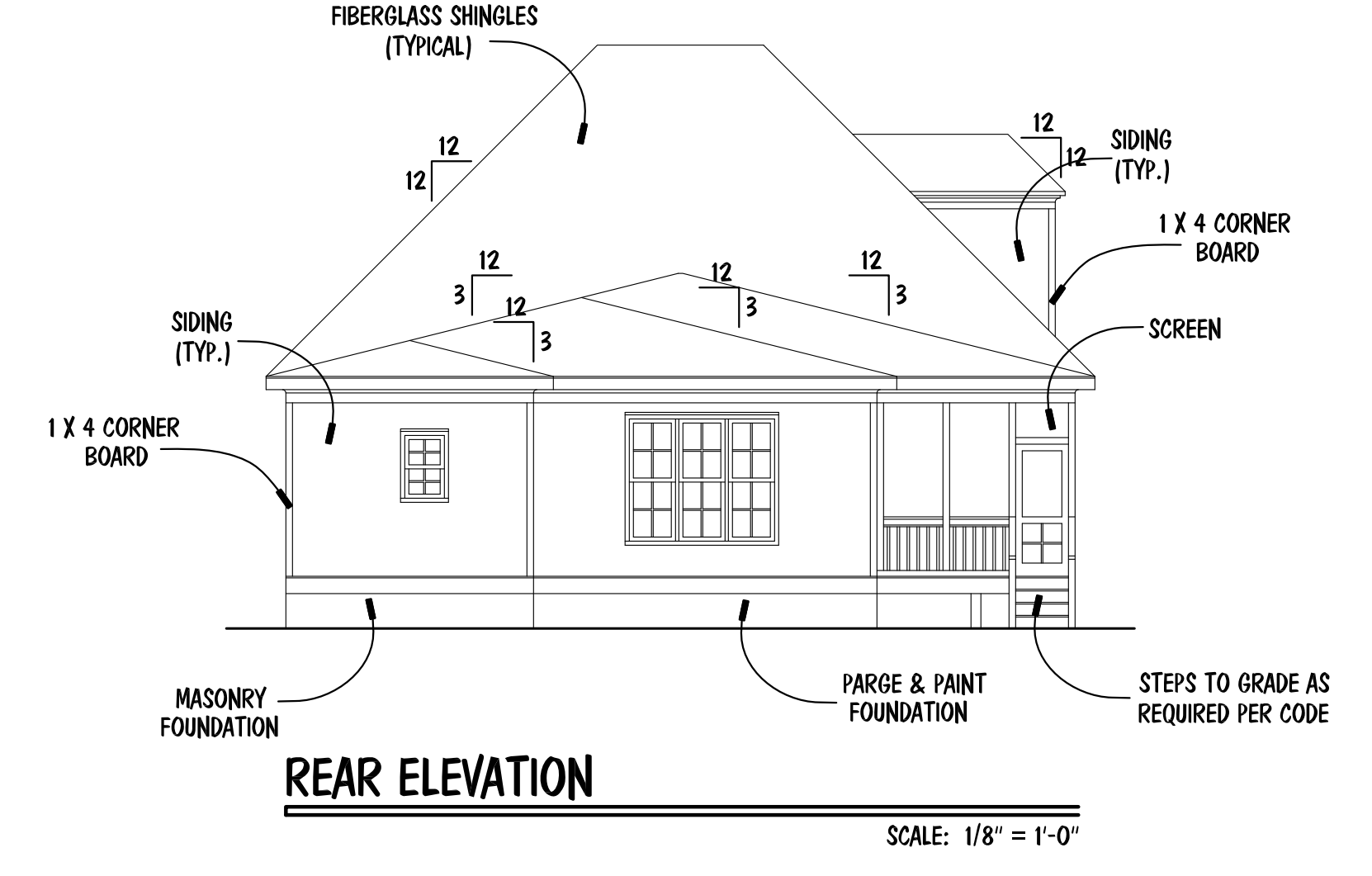
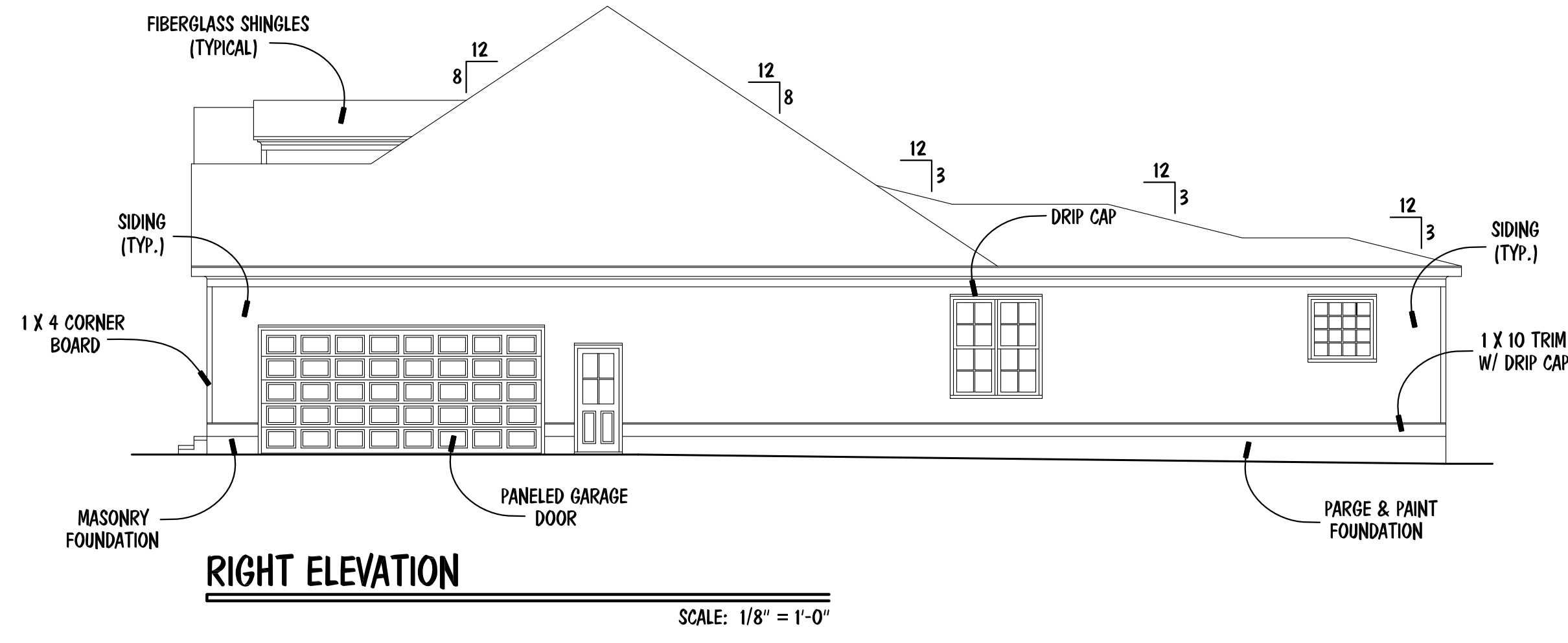
NOTICE TO CONTRACTOR
 All construction must comply with current NC Building Codes and is subject to field inspection and verification.

APPROVED
 Limited building only review.
 Permit holder responsible for full compliance with the code.

06/26/2023



Basement must remain unfinished unless a floor plan is submitted for review



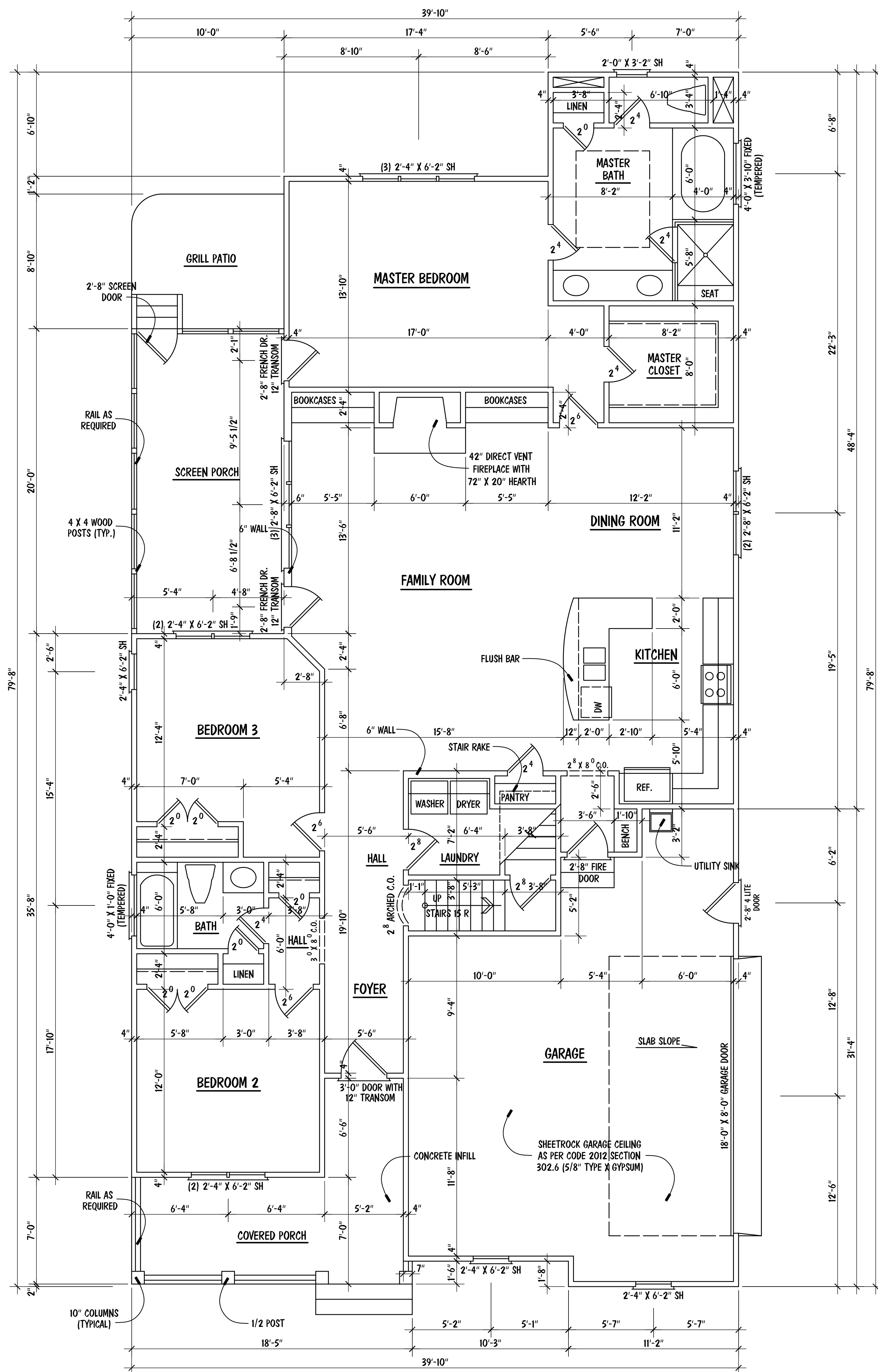
ALL DIMENSIONS AND SITE DIMENSIONS ARE TO BE VERIFIED BEFORE CONSTRUCTION BEGINS. ONCE CONSTRUCTION HAS BEGUN SOUTHERN HOME DESIGNS, INCORPORATED, IS RELEASED FROM ANY FURTHER RESPONSIBILITIES.

Southern Home Designs
 INCORPORATED
 455 Swiftside Drive, Suite 105, Carr, NC 27518
 919.380.7400 Office 919.380.7464 Fax
 Email: shd@nc.rcc.com

THE TOPSAIL

Nauset Homes, LLC
 100 Sand Plover Court, Holly Springs, NC 27540
 Office: 919.270.1928

ENGR. #:
 DATE: 07-30-16
 SHEET: A-1
 PLAN #: 16-073016



NOTES:

- 9'-0" CEILING HGT. (TYP.) U.N.O.
- SET WINDOWS @ 7'-10" A.F.F. (TYP.) U.N.O
- SET WINDOW IN MASTER BATH TOILET @ 7'-0" A.F.F.
- STAIRS: UP 15 R (TYP.), 1ST FLOOR TO 2ND FLOOR

SQUARE FOOTAGE	
FIRST FLOOR	1942
TOTAL	1942
MISCELLANEOUS	
UNFINISHED SECOND FLOOR	422
GARAGE	565
FRONT PORCH	159
SCREEN PORCH	200
GRILL PATIO	87
MECH. /STOR.	684

FIRST FLOOR PLAN

SCALE: 1/4" = 1'-0"

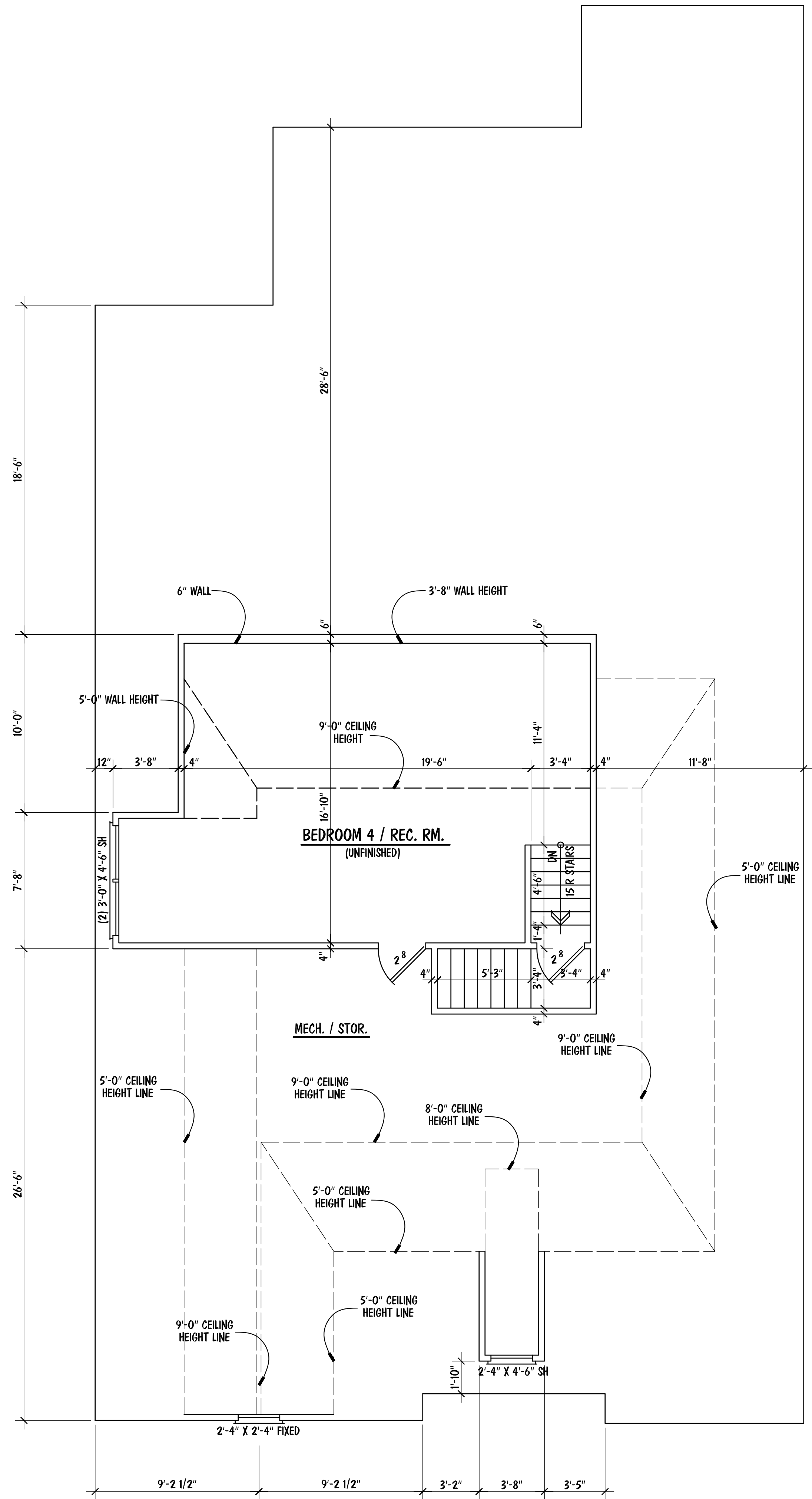
ALL DIMENSIONS AND SITE DIMENSIONS ARE TO BE VERIFIED BEFORE CONSTRUCTION BEGINS. ONCE CONSTRUCTION HAS BEGUN SOUTHERN HOME DESIGNS, INCORPORATED, IS RELEASED FROM ANY FURTHER RESPONSIBILITIES.

Southern Home Designs
INCORPORATED
455 Swifside Drive, Suite 105, Carr, NC 27518
919.380.7400 Office 919.380.7464 Fax
Email: shd@ncrr.com

THE
TOPSAIL

Nauset Homes, LLC
100 Sand Plover Court, Holly Springs, NC 27540
Office: 919.270.1928

ENGR. #:
DATE: 07-30-16
SHEET: A-2
PLAN #: 16-073016



NOTES:

- 9'-0" CEILING HGT. (TYP.) U.N.O.
- SET WINDOWS @ 7'-0" A.F.F. (TYP.) U.N.O
- SET WINDOWS IN BEDROOM 4 / REC. RM. @ 7'-4" A.F.F.
- STAIRS: DN 15 R (TYP.), 2ND FLOOR TO 1ST FLOOR

ALL DIMENSIONS AND SITE DIMENSIONS ARE TO BE VERIFIED BEFORE CONSTRUCTION BEGINS. ONCE CONSTRUCTION HAS BEGUN SOUTHERN HOME DESIGNS, INCORPORATED, IS RELEASED FROM ANY FURTHER RESPONSIBILITIES.

Southern Home Designs[®]
INCORPORATED
 455 Swifside Drive, Suite 105, Carp, NC 27518
 919.380.7400 Office 919.380.7464 Fax
 Email: shd@ncrr.com

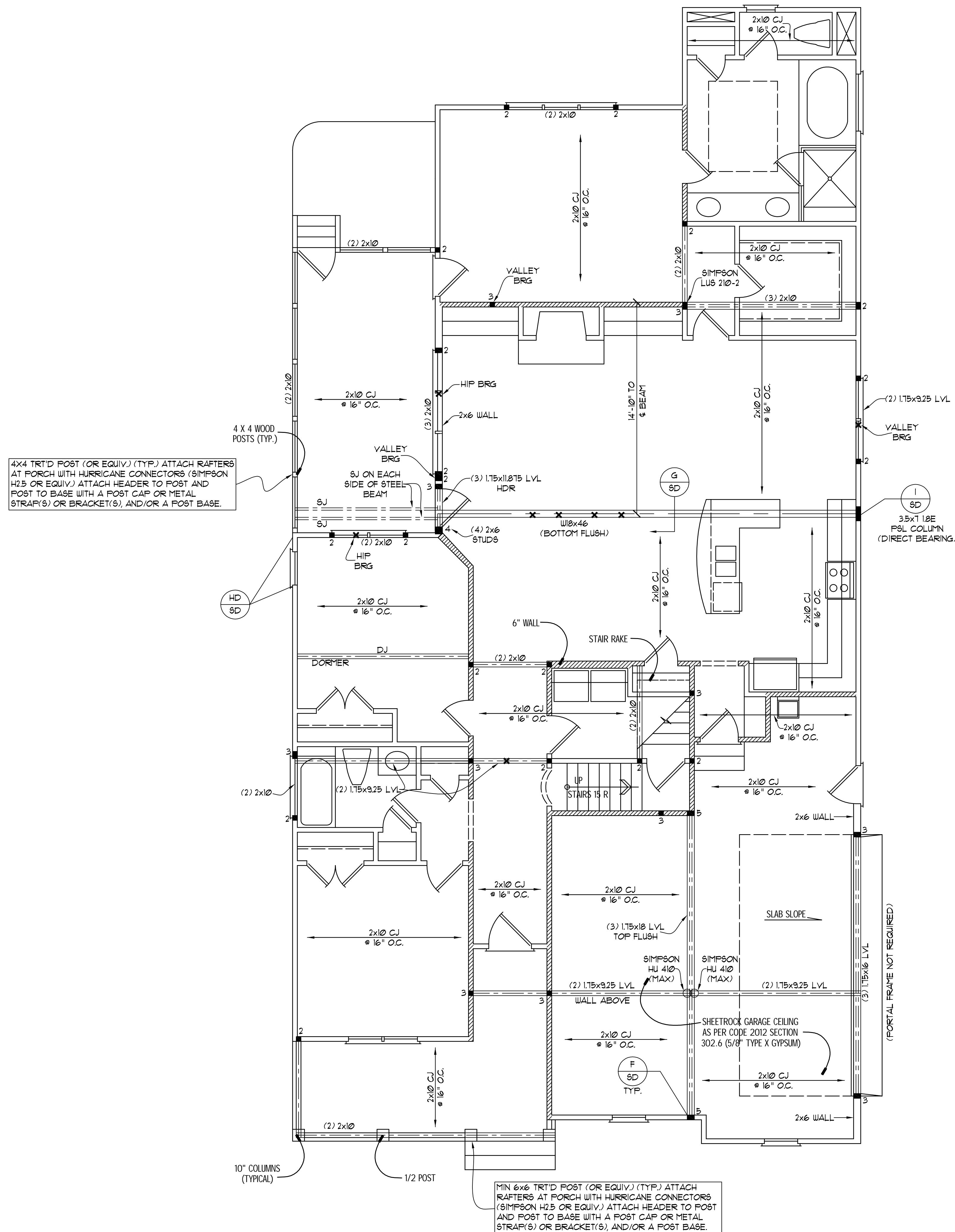
THE
 TOPSAIL

Nauset Homes, LLC
 100 Sand Plover Court, Holly Springs, NC 27540
 Office: 919.270.1928

ENGR. #:	
DATE:	07-30-16
SHEET:	A-3
PLAN #:	16-073016

SECOND FLOOR PLAN

SCALE: 1/4" = 1'-0"



4x4 TRTD POST (OR EQUIV.) (TYP.) ATTACH RAFTERS AT PORCH WITH HURRICANE CONNECTORS (SIMPSON H2.5 OR EQUIV.) ATTACH HEADER TO POST AND POST TO BASE WITH A POST CAP OR METAL STRAP(S) OR BRACKET(S), AND/OR A POST BASE.

MIN 6x6 TRTD POST (OR EQUIV.) (TYP.) ATTACH RAFTERS AT PORCH WITH HURRICANE CONNECTORS (SIMPSON H2.5 OR EQUIV.) ATTACH HEADER TO POST AND POST TO BASE WITH A POST CAP OR METAL STRAP(S) OR BRACKET(S), AND/OR A POST BASE.

WALL BRACING NOTES: (100 MPH)

1. WALL BRACING ANALYSIS BASED ON R602.10 - CODE AND COMMENTARY FOR 2012 NC RESIDENTIAL CODE (FINAL 03-06-2013; EFFECTIVE DATE SEPTEMBER 1, 2013).
2. NOTE THAT THE WALL BRACING AMOUNT PROVIDED ON THE PLANS (DETAILS AND SPECIFICATIONS) IS GREATER THAN THE AMOUNT OF WALL BRACING REQUIRED BY THE CODE. SEE NOTES BELOW FOR DETAILS AND SPECIFICATIONS FOR WALL BRACING.
3. BRACING METHOD AND TYPE: CONTINUOUS SHEATHING PER SECTION R602.10.3 USING WSP (WOOD STRUCTURAL PANEL SHEATHING).
4. EXTERIOR WALL SHEATHING: SHEATH EXTERIOR WALLS WITH 3/8" WSP (WOOD STRUCTURAL PANEL) SHEATHING AND ATTACH WITH 8d NAILS AT A 6" X 12" NAILING PATTERN (6" OC AT PANEL EDGES AND 12" OC AT INTERMEDIATE SUPPORTS). INSTALL BLOCKING AT ALL PANEL EDGES. (WSP SHEATHING SHALL EXTEND TO UPPERMOST DOUBLE BEARING PLATE). BLOCK AT ROOF PER R602.10.5.5.
5. MINIMUM WALL LENGTHS ARE BASED ON TABLE R602.10.1 AND ARE TO BE LOCATED AS SPECIFIED IN SECTION R602.10.3.2.
6. HD - HOLD DOWN DEVICE (NOTED AS "HD" ON PLANS) SHALL BE AN 800 POUND CAPACITY ASSEMBLY.
 - 1ST FLOOR: (2) SIMPSON SSP (SEE "HD" - HOLD-DOWN DETAIL).
 - 2ND FLOOR: ATTACH BASE OF KING STUD WITH A SIMPSON CS22 STRAP DOWN ACROSS THE BAND AND DOWN TO A STUD BELOW OR HEADER BELOW. EXTEND STRAP 1" MIN ALONG EACH STUD (OR HEADER) AND ATTACH EACH END W/ (1) 8d NAILS.
7. INTERIOR BRACED WALL: (NOTED AS "IBW" ON PLANS) ATTACH 1/2" GYPSUM BOARD ON EACH SIDE OF WALL WITH A MIN. OF 5d COOLER NAILS OR 1/8" SCREWS @ 1" O.C. ALONG THE EDGES AND AT INTERMEDIATE SUPPORTS.
- 7.1. INTERIOR BRACED WALL - WOOD STRUCTURAL PANELS: (NOTED AS "IBW-WSP" ON PLANS) ATTACH 3/8" (MIN) WOOD STRUCTURAL PANEL SHEATHING ON ONE SIDE OF WALL. ATTACH WITH 6d COMMON NAILS AT 6" X 12" NAILING PATTERN (6" AT EDGES AND 12" AT INTERMEDIATE SUPPORTS).
- INTERIOR BRACED WALLS SHALL BE CONNECTED AS DESCRIBED IN R602.10.5.4 AND FIGURES CR602.10.5.4(1) AND CR602.10.5.4(2).

HEADER AND COLUMN NOTES

1. ALL EXTERIOR AND LOAD BEARING HEADERS SHALL BE MIN. (2) 2x10 WITH (1) SUPPORT STUD AND (1) KING STUD, UNLESS NOTED OTHERWISE.
2. THE NUMBER SHOWN AT BEAM AND HEADER SUPPORTS INDICATES THE NUMBER OF SUPPORT STUDS REQUIRED IN STUD POCKET OR COLUMN.

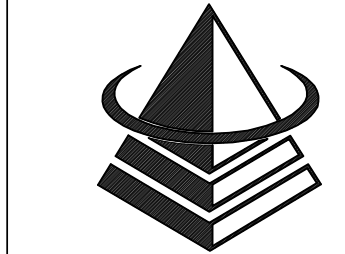
WHOLE HOUSE BRACING SUMMARY
 TOTAL REQUIRED BRACING: 78
 TOTAL PROVIDED BRACING: 125
 (IN FEET)

REFER TO "SD" SHEET(S) FOR STANDARD DETAILS, BRACING DETAILS AND STRUCTURAL NOTES.



PROJECT # 16-1550

Engineers seal applies only to structural components on this document. Seal does not constitute an endorsement, approval, or certification of the design, construction, or materials. Any deviations or discrepancies on plans are to be brought to the immediate attention of Southern Engineers. Failure to do so will void Southern Engineer's liability.
 Seal is valid for projects permitted one year from date of seal.
 Use of these plans constitutes approval of terms & conditions as defined in the customer agreement.



Southern Engineers, P.A.
 James H. Herman, P.E., President
 3716 Benson Drive, Raleigh, NC 27609
 Phone: (919) 878-1617
 License: C-1287
 www.southernengineers.com

Southern Home Designs
 455 Swiftside Drive
 Suite 104
 Cary, NC 27518
 Telephone: (919) 380-7400
 Fax: (919) 380-7464

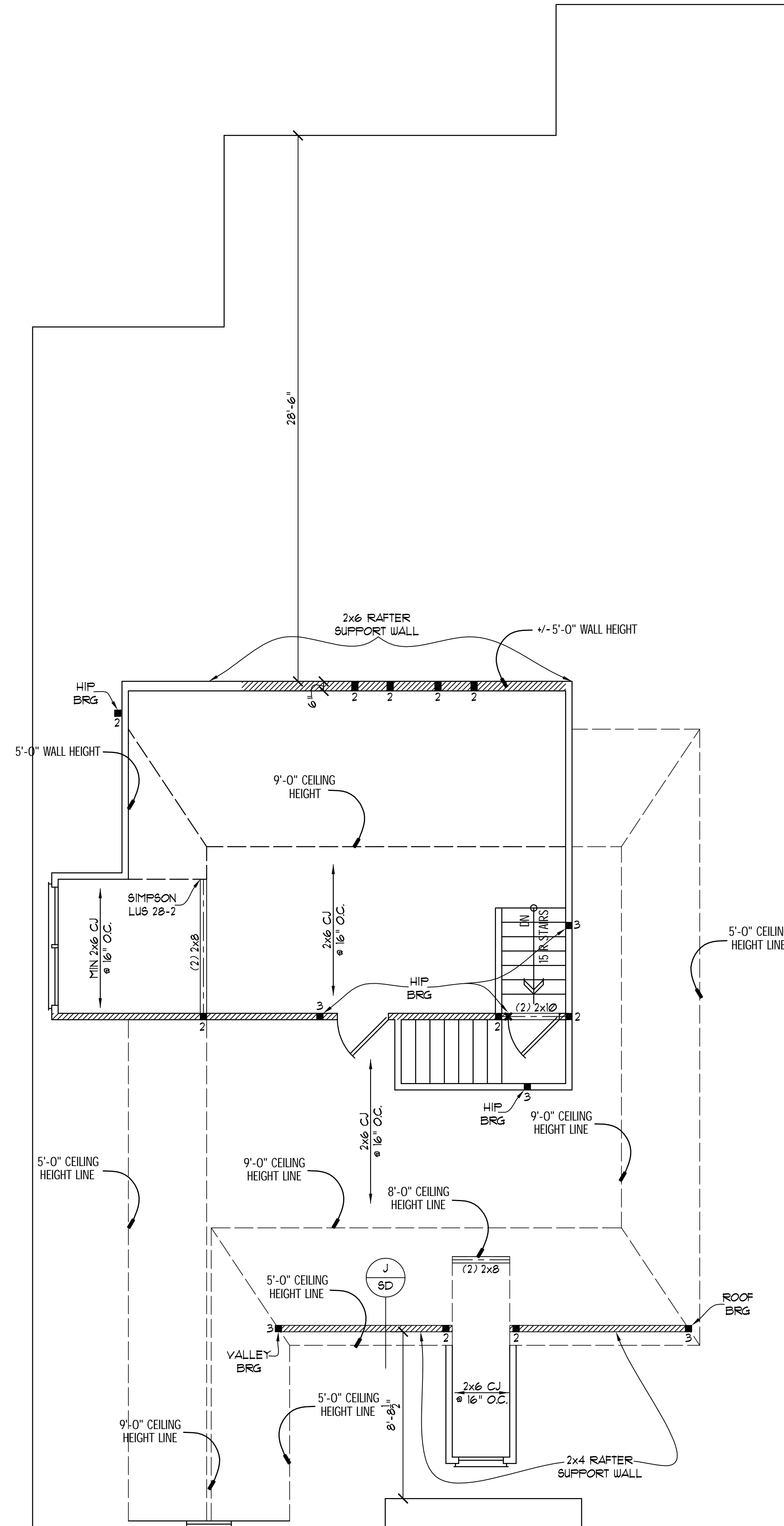
THE TOPSAIL

Nauset Homes, LLC
 100 Sand Plover Court, Holly Springs, NC 27540
 Office - 919.270.1928

S-2

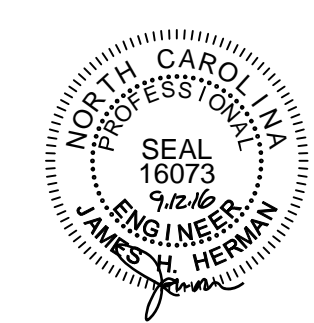
FIRST FLOOR STR. PLAN

SCALE: 1/4" = 1'-0"



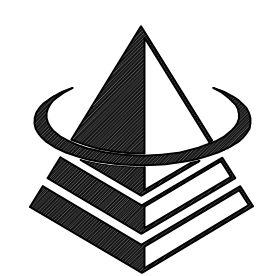
HEADER AND COLUMN NOTES

1. ALL EXTERIOR AND LOAD BEARING HEADERS SHALL BE MIN. (2) 2x10 WITH (1) SUPPORT STUD AND (1) KING STUD, UNLESS NOTED OTHERWISE.
2. THE NUMBER SHOWN AT BEAM AND HEADER SUPPORTS INDICATES THE NUMBER OF SUPPORT STUDS REQUIRED IN STUD POCKET OR COLUMN.



PROJECT # 16-1550

* Engineer seal applies only to structural components on this drawing. Seal does not constitute an approval of construction techniques, sequences, procedures or safety precautions.
 * Any deviations or discrepancies on plans are to be brought to the immediate attention of Southern Engineers. Failure to do so will void Southern Engineer's liability.
 * Seal is valid for projects permitted one year from date of seal.
 * Use of these plans constitutes approval of terms & conditions as defined in the customer agreement.



Southern Engineers, P.A.
 James H. Herman, P.E., President
 3716 Benson Drive, Raleigh, NC 27609
 Phone: (919) 878-1617
 License: C-1287
 www.southernengineers.com

Southern Home Designs
 455 Swiftside Drive
 Suite 104
 Cary, NC 27518
 Telephone: (919) 380-7400
 Fax: (919) 380-7464

THE TOPSAIL

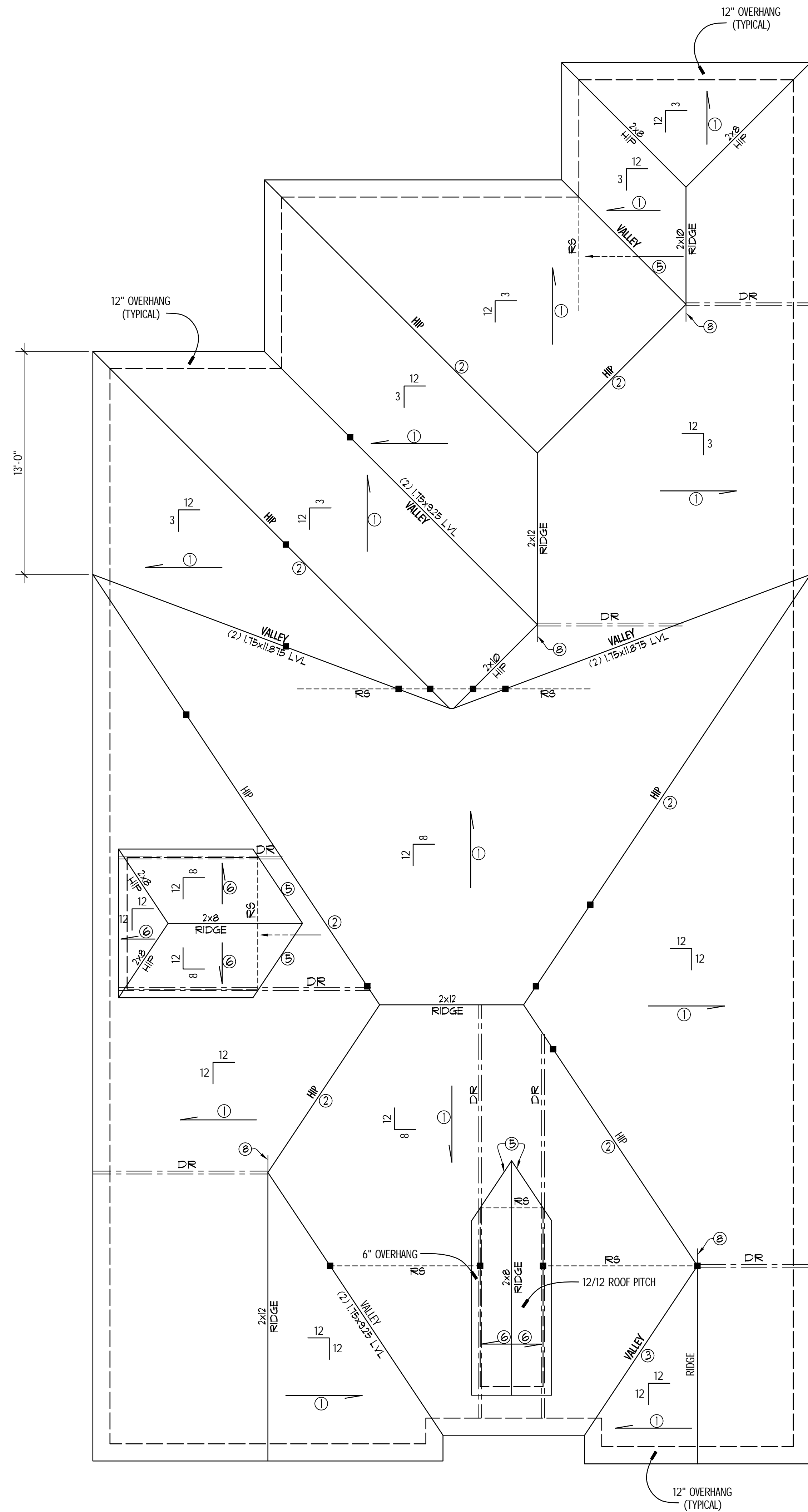
Nauset Homes, LLC
 100 Sand Plover Court, Holly Springs, NC 27540
 Office - 919.270.1928

S-3

REFER TO "SD" SHEET(S) FOR STANDARD DETAILS, BRACING DETAILS AND STRUCTURAL NOTES.

SECOND FLOOR STR. PLAN

SCALE: 1/4" = 1'-0"



NOTES:

MEAN ROOF HEIGHT FOR THIS STRUCTURE IS 20'-6"

ATTIC VENTILATION:

2866 SQUARE FEET = 9.55 REQUIRED
300

THE NET FREE AREA OF VENTILATION REQUIRED IS TO BE

9.55 SQUARE FEET.

ROOF FRAMING NOTES:

- (100 MPH WIND ZONE)
- ① ALL RAFTERS TO BE 2x8 @ 16" O.C. WITH 2x10 RIDGE, UNO.
 - ② (2) 2x10 OR 1.75x1.875 LVL HIP. (2) 2x10 HIPs MAY BE SPLICED WITH A MIN. 6'-0" OVERLAP AT CENTER
 - ③ (2) 2x10 OR 1.75x3.25 LVL VALLEY. DO NOT SPLICE VALLEYS
 - ④ 1.75x1.875 LVL VALLEY
 - ⑤ FALSE FRAME VALLEY ON 2x10 FLAT PLATE
 - ⑥ 2x6 RAFTERS @ 16" O.C. W/ 2x8 RIDGE, UNO.
 - ⑦ 2x10 RAFTERS @ 16" O.C. W/ 2x12 RIDGE, UNO.
 - ⑧ EXTEND RIDGE 12" BEYOND INTERSECTION
- "SR" = SINGLE RAFTER
 - "DR" = DOUBLE RAFTER
 - "TR" = TRIPLE RAFTER
 - "RS" = ROOF SUPPORT FOR RAFTER SPLICE
 - "■" = (3) STUD OR 4x4 POST FOR ROOF SUPPORT
 - FIR DOWN 2x8 RAFTERS OR USE 2x10 AT CATHEDRAL CEILINGs
 - ATTACH VAULTED RAFTERS WITH HURRICANE CLIPS: SIMPSON "H-5" OR EQUIVALENT

REFER TO "SD" SHEET(S) FOR STANDARD DETAILS, BRACING DETAILS AND STRUCTURAL NOTES.

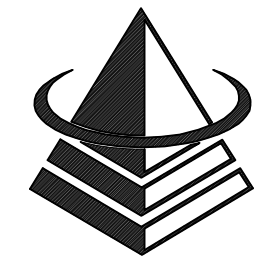


ROOF FRAMING PLAN

SCALE: 1/4" = 1'-0"

PROJECT # 16-1550

* Engineer seal applies only to structural components on this drawing. Seal does not include design, construction methods, techniques, sequences or safety precautions.
* Any deviations or discrepancies on plans are to be brought to the immediate attention of Southern Engineers. Failure to do so will void Southern Engineer's liability.
* Seal is valid for projects permitted one year from date of seal.
* Use of these plans constitutes approval of terms & conditions as defined in the customer agreement.



Southern Engineers, P.A.

James H. Herman, P.E., President
3716 Benson Drive, Raleigh, NC 27609
Phone: (919) 878-1617
License: C-1287
www.southernengineers.com

Southern Home Designs

455 Swiftside Drive
Suite 104
Cary, NC 27518
Telephone: (919) 380-7400
Fax: (919) 380-7464

THE TOPSAIL

Nauset Homes, LLC
100 Sand Plover Court, Holly Springs, NC 27540
Office - 919.270.1928

S-4

STRUCTURAL NOTES

2012 NCRG (2003 IRC)
100 mph ZONE

1) ENGINEER'S SEAL APPLIES ONLY TO STRUCTURAL COMPONENTS INCLUDING ROOF RAFTERS, HIPs, VALLEYS, RIDGES, FLOORS, WALLS, BEAMS AND HEADERS, COLUMNS, CANTILEVERS, OFFSET LOAD BEARING WALLS, PIER & GIRDER SYSTEM AND FOOTINGS. ENGINEER'S SEAL DOES NOT CERTIFY DIMENSIONAL ACCURACY OR ARCHITECTURAL LAYOUT INCLUDING ROOF SYSTEM. ALL REQUIREMENTS FOR PROFESSIONAL CERTIFICATION SHALL BE PROVIDED BY THE APPROPRIATE PROFESSIONAL. SOUTHERN ENGINEERS, P.A. CERTIFIES ONLY THE STRUCTURAL COMPONENTS AS SPECIFICALLY STATED.

2) ALL CONSTRUCTION SHALL CONFORM TO THE LATEST REQUIREMENTS OF THE NORTH CAROLINA STATE RESIDENTIAL CODE - 2012 EDITION (2003 IRC), PLUS ALL LOCAL CODES AND REGULATIONS. THE STRUCTURAL ENGINEER IS NOT RESPONSIBLE FOR, AND WILL NOT HAVE CONTROL OF CONSTRUCTION MEANS, METHODS, TECHNIQUES, SEQUENCES OR PROCEDURES OR FOR SAFETY PRECAUTIONS AND PROGRAMS IN CONNECTION WITH THE CONSTRUCTION WORK, NOR WILL THE ENGINEER BE RESPONSIBLE FOR THE CONTRACTOR'S FAILURE TO CARRY OUT THE CONSTRUCTION WORK IN ACCORDANCE WITH THE CONTRACT DOCUMENTS. "CONSTRUCTION REVIEW" SERVICES ARE NOT PART OF OUR CONTRACT. ALL MEMBERS SHALL BE FRAMED, ANCHORED, TIED AND BRACED IN ACCORDANCE WITH GOOD CONSTRUCTION PRACTICE AND THE BUILDING CODE.

3) DESIGN LOADS (R301.4) (LISTED AS: LIVE LOAD, DEAD LOAD, DEFLECTION LIMIT)
ROOMS OTHER THAN SLEEPING ROOMS: (40 PSF, 10 PSF, L/360)
SLEEPING ROOMS: (30 PSF, 10 PSF, L/360)
ATTIC WITH PERMANENT STAIR: (40 PSF, 10 PSF, L/360)
ATTIC WITH OUT PERMANENT STAIR: (20 PSF, 10 PSF, L/360)
ATTIC WITH OUT STORAGE: (10 PSF, 10 PSF, L/240)
STAIRS: (40 PSF, --, L/360)
EXTERIOR BALCONIES: (60 PSF, 10 PSF, L/360)
DECKS: (40 PSF, 10 PSF, L/360)
GUARDRAILS AND HANDRAILS: (200 LBS)
PASSENGER VEHICLE GARAGES: (50 PSF, 10 PSF, L/360)
FIRE ESCAPES: (40 PSF, 10 PSF, L/360)
SNOW: (20 PSF)
WIND LOAD: (BASED ON 100 MPH WIND VELOCITY)

4) WALL BRACING: WALLS SHALL BE BRACED ACCORDING TO R602.10- CODE AND COMMENTARY FOR 2012 NC RESIDENTIAL CODE (FINAL 03-06-2013; EFFECTIVE DATE SEPTEMBER 1, 2013). NOTE THAT THE BRACING AS SPECIFIED ON THE PLANS IS BASED ON THE PRESCRIPTIVE BRACING REQUIREMENTS OF THE CODE AND SHALL BE VERIFIED AND/OR APPROVED BY THE CODE OFFICIAL.

5) CONCRETE SHALL HAVE A MINIMUM 28 DAY STRENGTH OF 3000 PSI AND A MAXIMUM SLUMP OF 5 INCHES UNLESS NOTED OTHERWISE (UNO). AIR ENTRAINED PER TABLE 402.2. ALL CONCRETE SHALL BE PROPORTIONED, MIXED, HANDLED, SAMPLED, TESTED, AND PLACED IN ACCORDANCE WITH ACI STANDARDS. ALL SAMPLES FOR PUMPING SHALL BE TAKEN FROM THE EXIT END OF THE PUMP.

6) ALLOWABLE SOIL BEARING PRESSURE ASSUMED TO BE 2000 PSF. THE CONTRACTOR MUST CONTACT A GEOTECHNICAL ENGINEER AND THE STRUCTURAL ENGINEER IF UNSATISFACTORY SUBSURFACE CONDITIONS ARE ENCOUNTERED. THE SURFACE AREA ADJACENT TO THE FOUNDATION WALL SHALL BE PROVIDED WITH ADEQUATE DRAINAGE, AND SHALL BE GRADED SO AS TO DRAIN SURFACE WATER AWAY FROM FOUNDATION WALLS.

7) ALL FRAMING LUMBER SHALL BE SPF #2 (Fb = 875 PSI) UNLESS NOTED OTHERWISE (UNO). ALL TREATED LUMBER SHALL BE SYP #2 (Fb = 975 PSI). PLATE MATERIAL MAY BE SPF #3 OR SYP #3 (Fc(perp) = 425 PSI - MIN).

8) ALL WOODEN BEAMS AND HEADERS SHALL HAVE THE FOLLOWING END SUPPORTS: (1) 2x4 STUD COLUMN FOR 6'-0" MAX. BEAM SPAN (UNO), (2) 2x4 STUDS FOR BEAM SPAN GREATER THAN 6'-0" (UNO).

9) L.V.L. SHALL BE LAMINATED VENEER LUMBER: Fb=2600 PSI, Fv=285 PSI, E=1,900,000 PSI, P.S.L. SHALL BE PARALLEL STRAND LUMBER: Fb=2900 PSI, Fv=290 PSI, E=2,000,000 PSI, L.S.L. SHALL BE LAMINATED STRAND LUMBER: Fb=2250 PSI, Fv=400 PSI, E=1,550,000 PSI. INSTALL ALL CONNECTIONS PER MANUFACTURER'S INSTRUCTIONS.

10) ALL ROOF TRUSS AND I-JOIST LAYOUTS SHALL BE PREPARED IN ACCORDANCE WITH THE SEALED STRUCTURAL DRAWINGS. TRUSSES AND I-JOISTS SHALL BE INSTALLED ACCORDING TO THE MANUFACTURER'S SPECIFICATIONS. ANY CHANGE IN TRUSS OR I-JOIST LAYOUT SHALL BE COORDINATED WITH SOUTHERN ENGINEERS.

11) ALL STRUCTURAL STEEL SHALL BE ASTM A-36. STEEL BEAMS SHALL BE SUPPORTED AT EACH END WITH A MINIMUM BEARING LENGTH OF 3 1/2" INCHES AND FULL FLANGE WIDTH. PROVIDE SOLID BEARING FROM BEAM SUPPORT TO FOUNDATION. BEAMS SHALL BE ATTACHED TO EACH SUPPORT WITH TWO LAG SCREWS (1/2" DIAMETER x 4" LONG). LATERAL SUPPORT IS CONSIDERED ADEQUATE PROVIDED THE JOIST ARE TOE NAILED TO THE SOLE PLATE, AND SOLE PLATE IS NAILED OR BOLTED TO THE BEAM FLANGE @ 48" O.C. ALL STEEL TUBING SHALL BE ASTM A500.

12) REBAR SHALL BE DEFORMED STEEL, ASTM#615, GRADE 60.

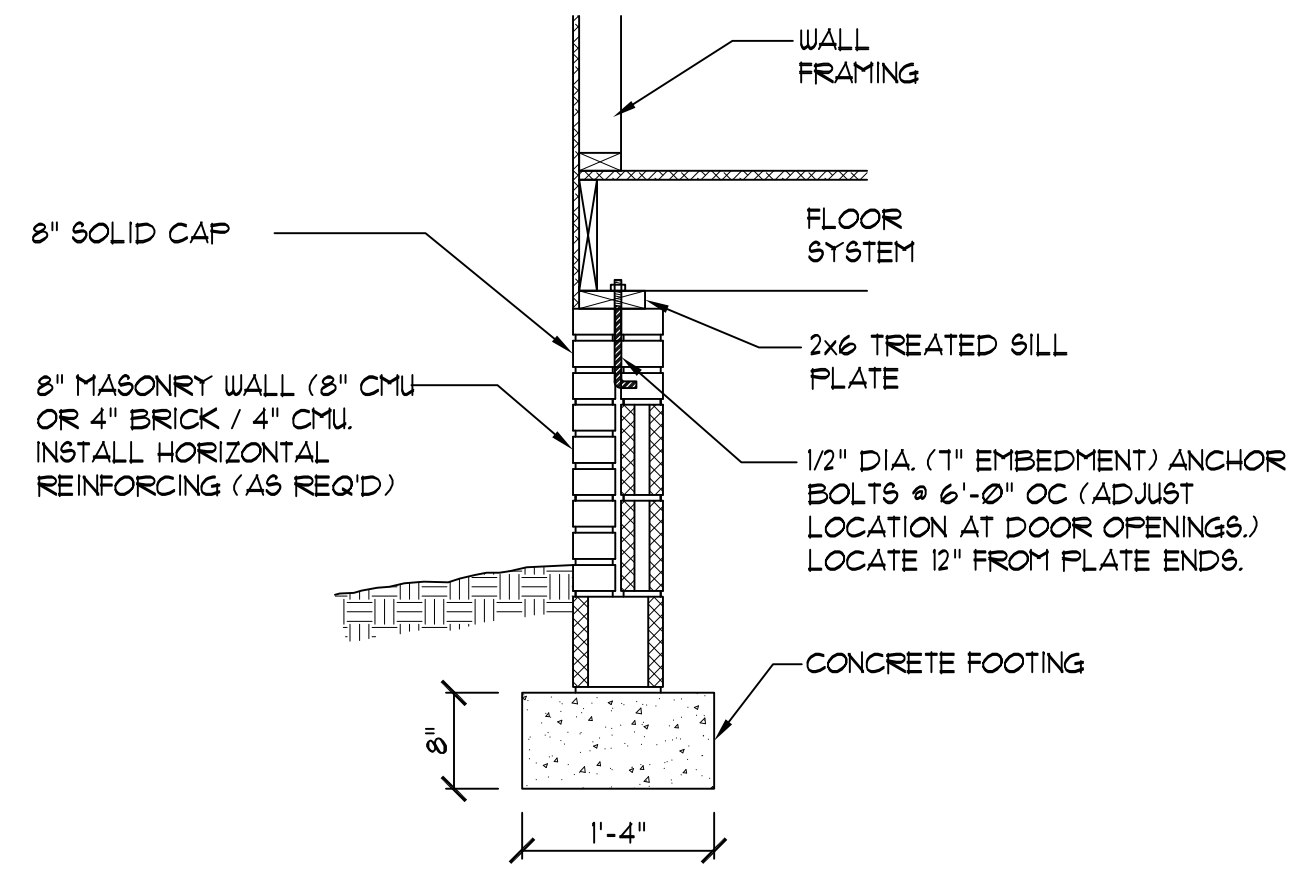
13) FLITCH BEAMS SHALL BE BOLTED TOGETHER USING (2) ROWS OF 1/2" DIAMETER BOLTS (ASTM A325) WITH WASHERS PLACED UNDER THE THREADED END OF BOLT. BOLTS SHALL BE SPACED AT 24" O.C. (MAX), AND STAGGERED AT THE TOP AND BOTTOM OF BEAM (2" EDGE DISTANCE), WITH 2 BOLTS LOCATED AT 6" FROM EACH END.

14) BRICK LINTELS SHALL BE 3 1/2"x3 1/2"x1/4" STEEL ANGLE FOR UP TO 6'-0" SPAN AND 6"x4"x5/16" STEEL ANGLE WITH 6" LEG VERTICAL FOR SPANS UP TO 9'-0" (UNO).

15) THE POSITIVE AND NEGATIVE DESIGN PRESSURE FOR DOORS AND WINDOWS FOR A MEAN ROOF HEIGHT OF 35 FEET OR LESS SHALL BE 25 PSF. THE POSITIVE AND NEGATIVE DESIGN PRESSURES REQUIRED FOR ANY ROOF OR WALL CLADDING APPLICATION NOT SPECIFICALLY ADDRESSED IN THE NORTH CAROLINA STATE RESIDENTIAL CODE - 2012 EDITION SHALL BE AS FOLLOWS:

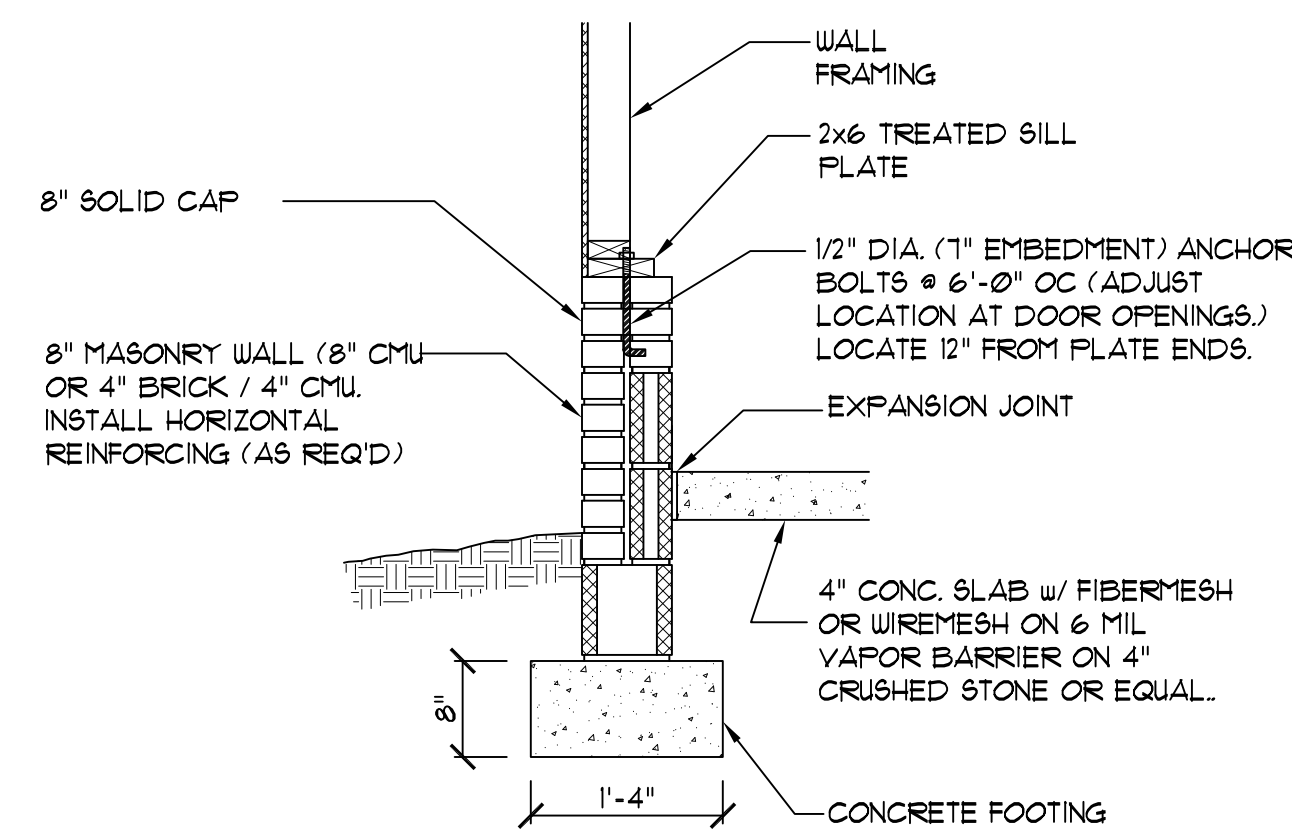
ROOF
45.4 PSF - 2.25:12 PITCH OR LESS
34.8 PSF - 2.25:12 TO 1:12 PITCH
21 PSF - 1:12 TO 12:12 PITCH

WALLS
24.1 PSF - WALLS



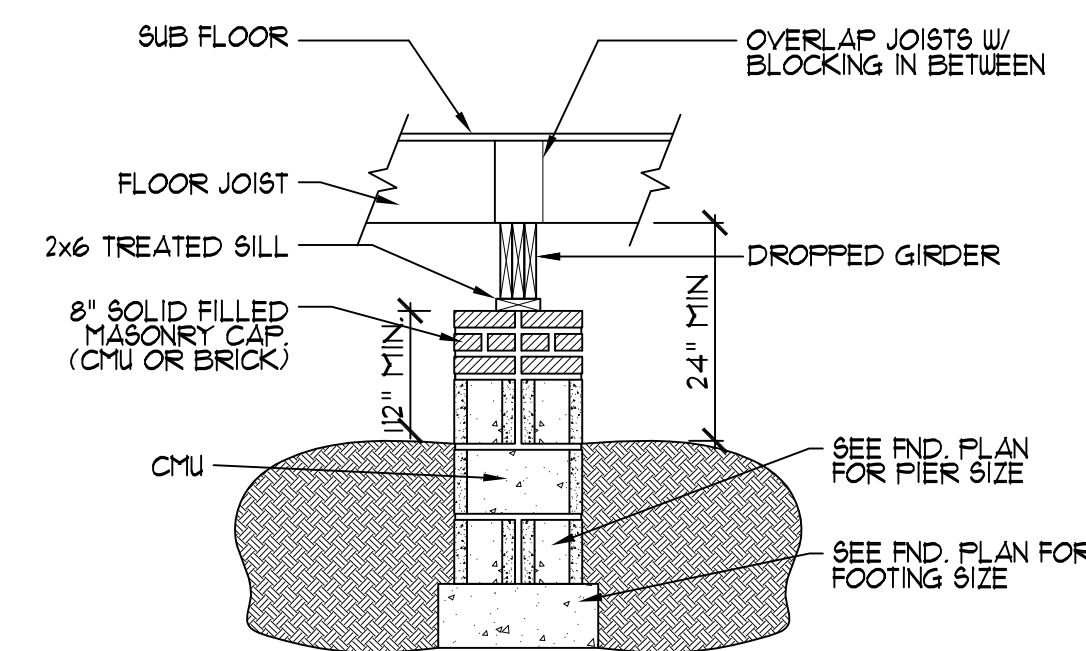
A) CRAWL SPACE FOOTING

(SIDING OR EQUAL)
NOTE: FOR 3-STORY, FTG WIDTH 1'-6" AND 10" DEPTH



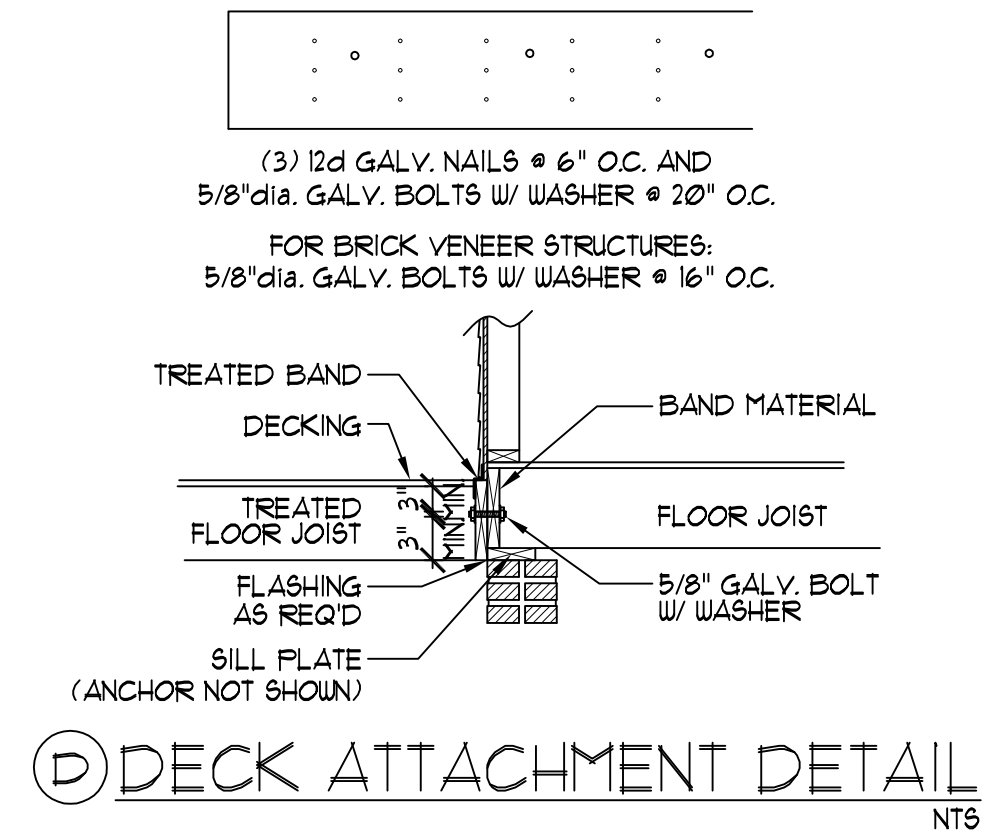
B) GARAGE WALL FOOTING

(SIDING OR EQUAL)
NOTE: FOR 3-STORY, FTG WIDTH 1'-6" AND 10" DEPTH



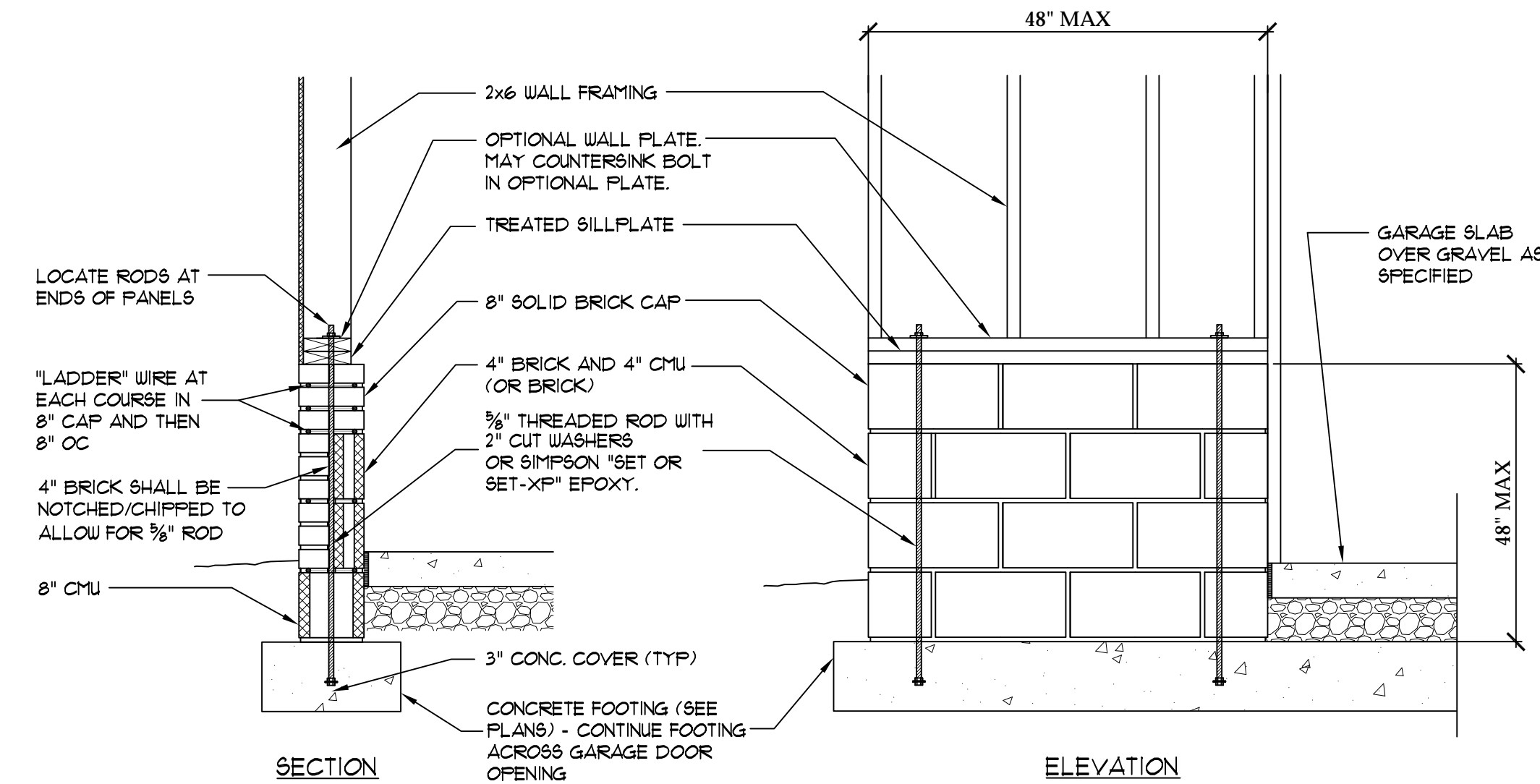
C) DROPPED GIRDER

NTS



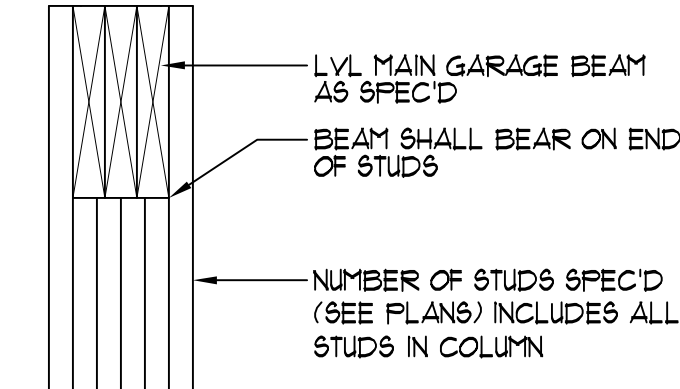
D) DECK ATTACHMENT DETAIL

NTS



E) GARAGE 'WING WALL' REINFORCING

(CODE REFERENCE: IRC FIGURE R602.10.5.3)



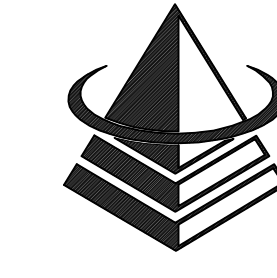
F) TYP. GARAGE BEAM BEARING

NTS



PROJECT # 16-1550

* Engineer's seal applies only to structural components on this drawing. Seal does not apply to non-structural components, methods, techniques, sequences or safety precautions.
* Any deviations or discrepancies on plans are to be brought to the immediate attention of Southern Engineers. Failure to do so will void Southern Engineer's liability.
* Seal is valid for projects permitted one year from date of seal.
* Use of these plans constitutes approval of terms & conditions as defined in the customer agreement.



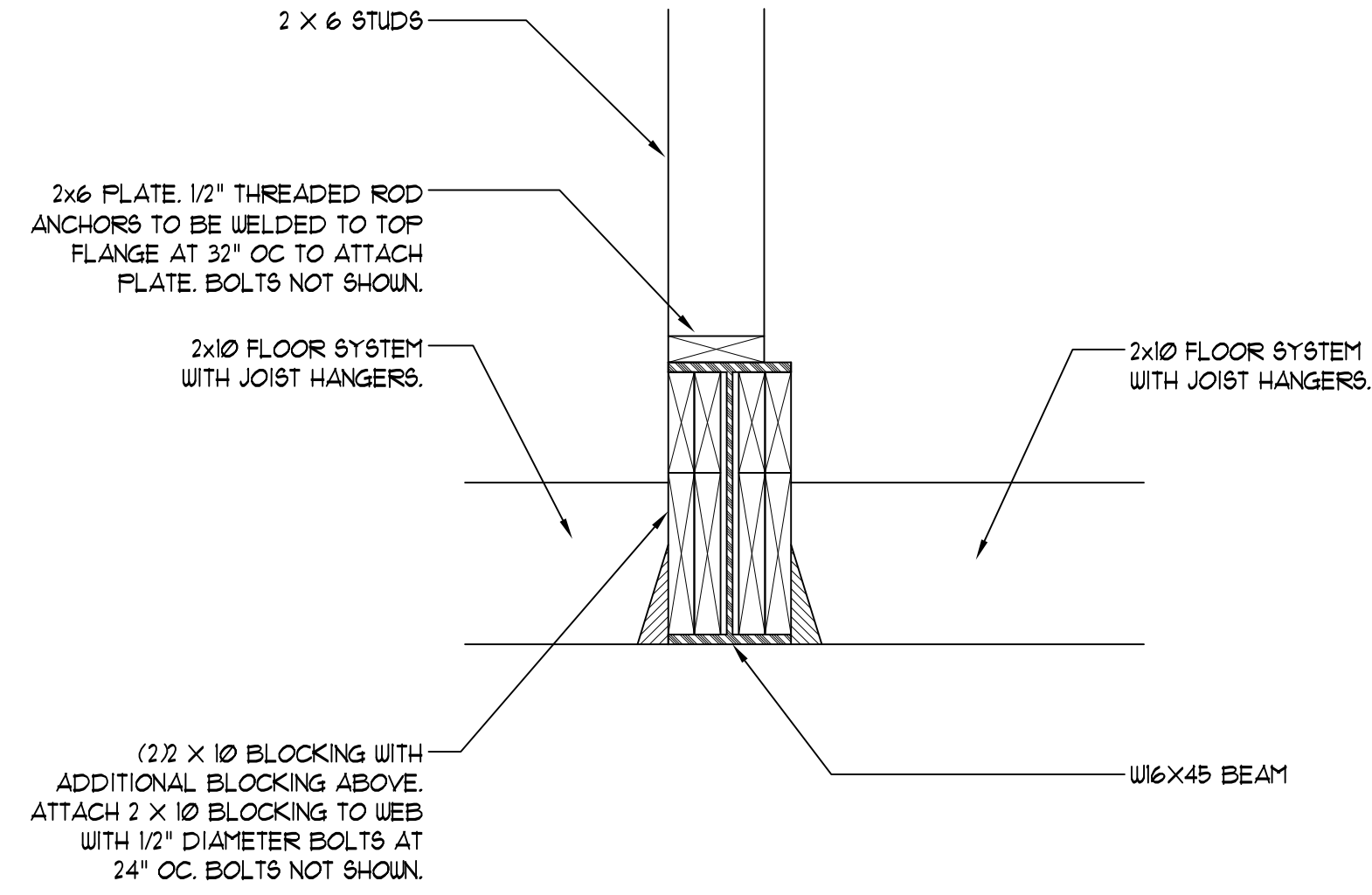
Southern Engineers, P.A.
James H. Herman, P.E., President
3716 Benson Drive, Raleigh, NC 27609
Phone: (919) 878-1617
License: C-1287
www.southernengineers.com

Southern Home Designs
455 Swiftside Drive
Suite 104
Cary, NC 27518
Telephone: (919) 380-7400
Fax: (919) 380-7464

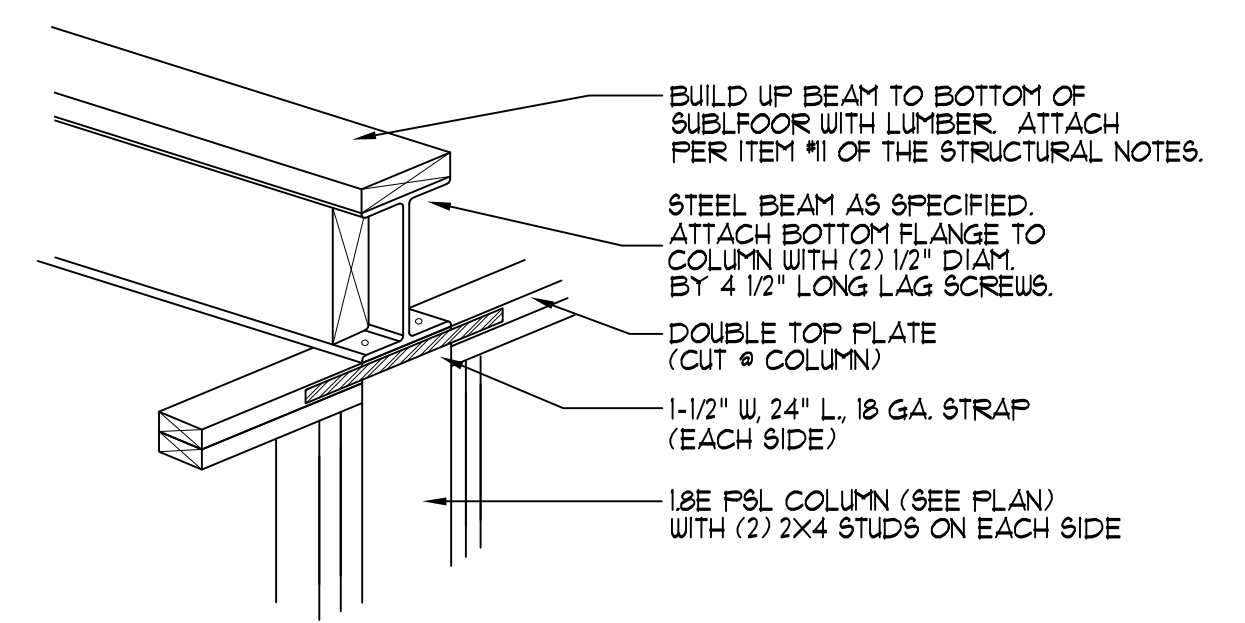
THE TOPSAIL

Nauset Homes, LLC
100 Sand Plover Court, Holly Springs, NC 27540
Office - 919.270.1928

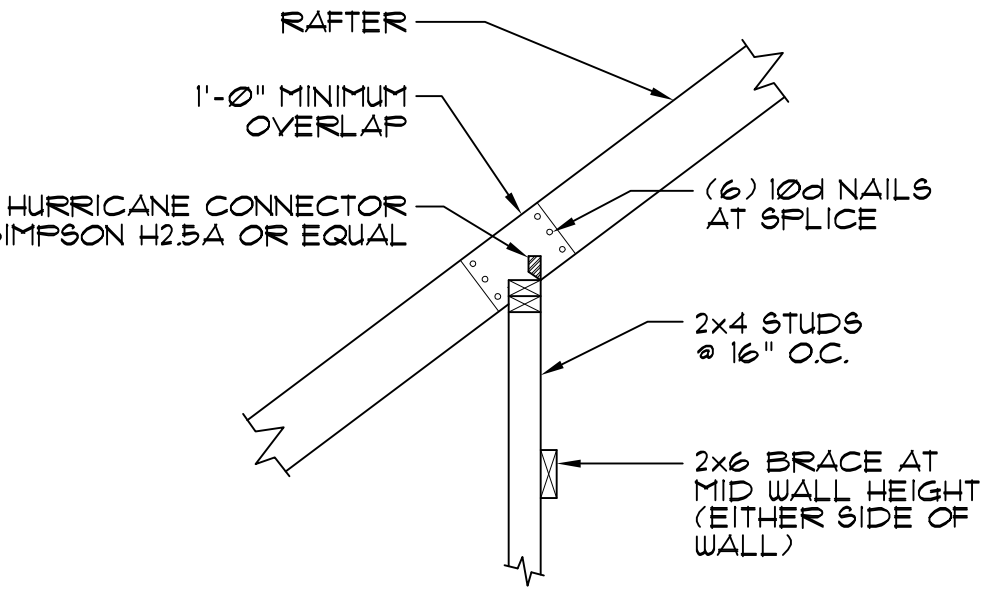
SD



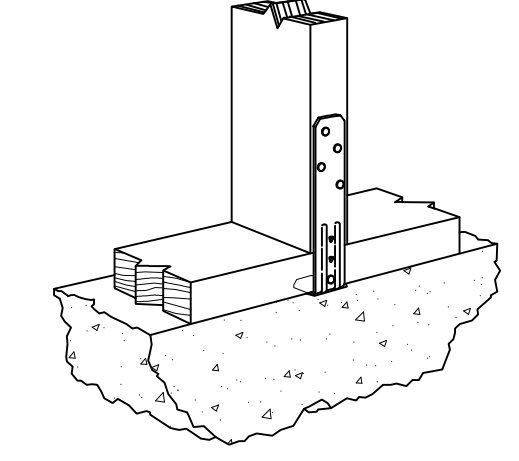
G BEAM SECTION



I DIRECT BEAM BEARING
PSL COLUMN NT6

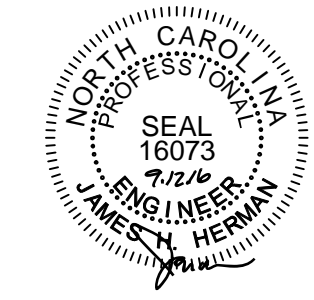


J TYPICAL RAFTER SPLICE ON ATTIC KNEEWALL
NT6



HD 'HD' HOLD-DOWN DETAIL (OVER WOOD FLOOR)

NOTE: ALTERNATE HD HOLD-DOWN DEVICES OR SYSTEMS MAY BE USED TO MEET THE CODE REQUIRED 800 LB CAPACITY IN LIEU OF THE ABOVE DETAIL.



PROJECT # 16-1550

* Engineer seal applies only to structural components on this document. Seal does not apply to other disciplines, methods, techniques, sequences, procedures or safety precautions.
 * Any deviations or discrepancies on plans are to be brought to the immediate attention of Southern Engineers. Failure to do so will void Southern Engineer's liability.
 * Seal is valid for projects permitted one year from date of seal.
 * Use of these plans constitutes approval of terms & conditions as defined in the customer agreement.



Southern Engineers, P.A.
 James H. Herman, P.E., President
 3716 Benson Drive, Raleigh, NC 27609
 Phone: (919) 878-1617
 License: C-1287
 www.southernengineers.com

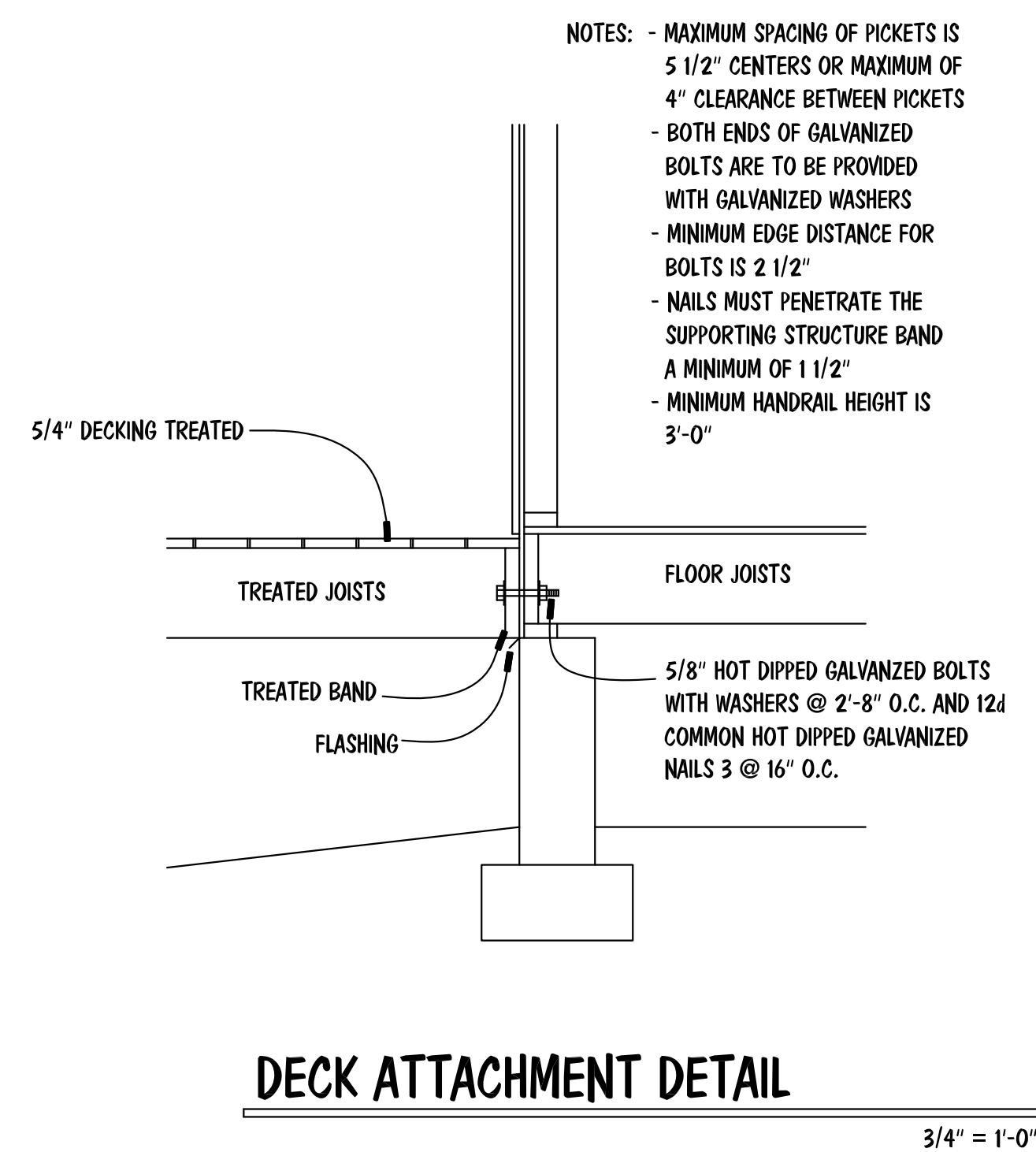
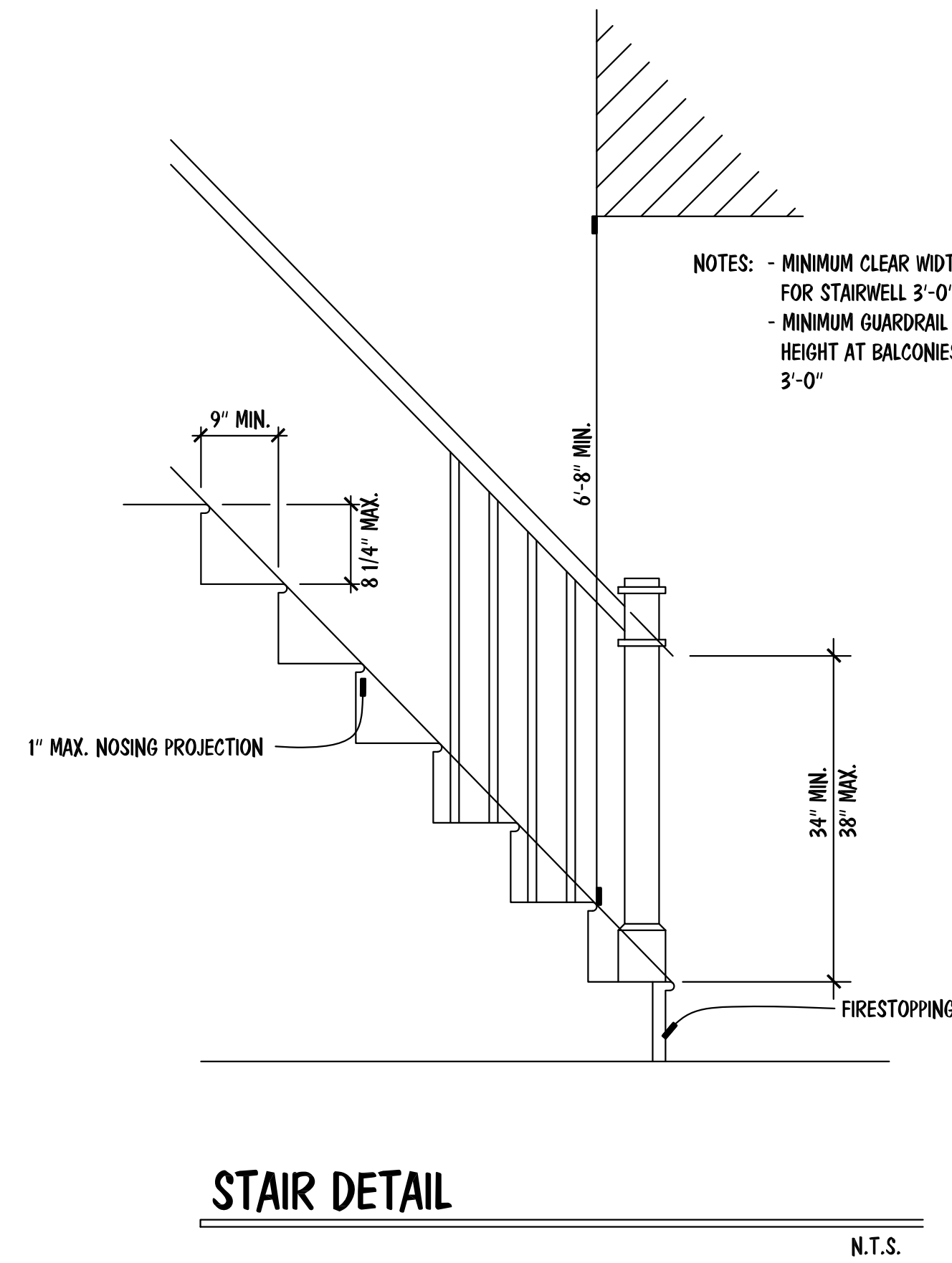
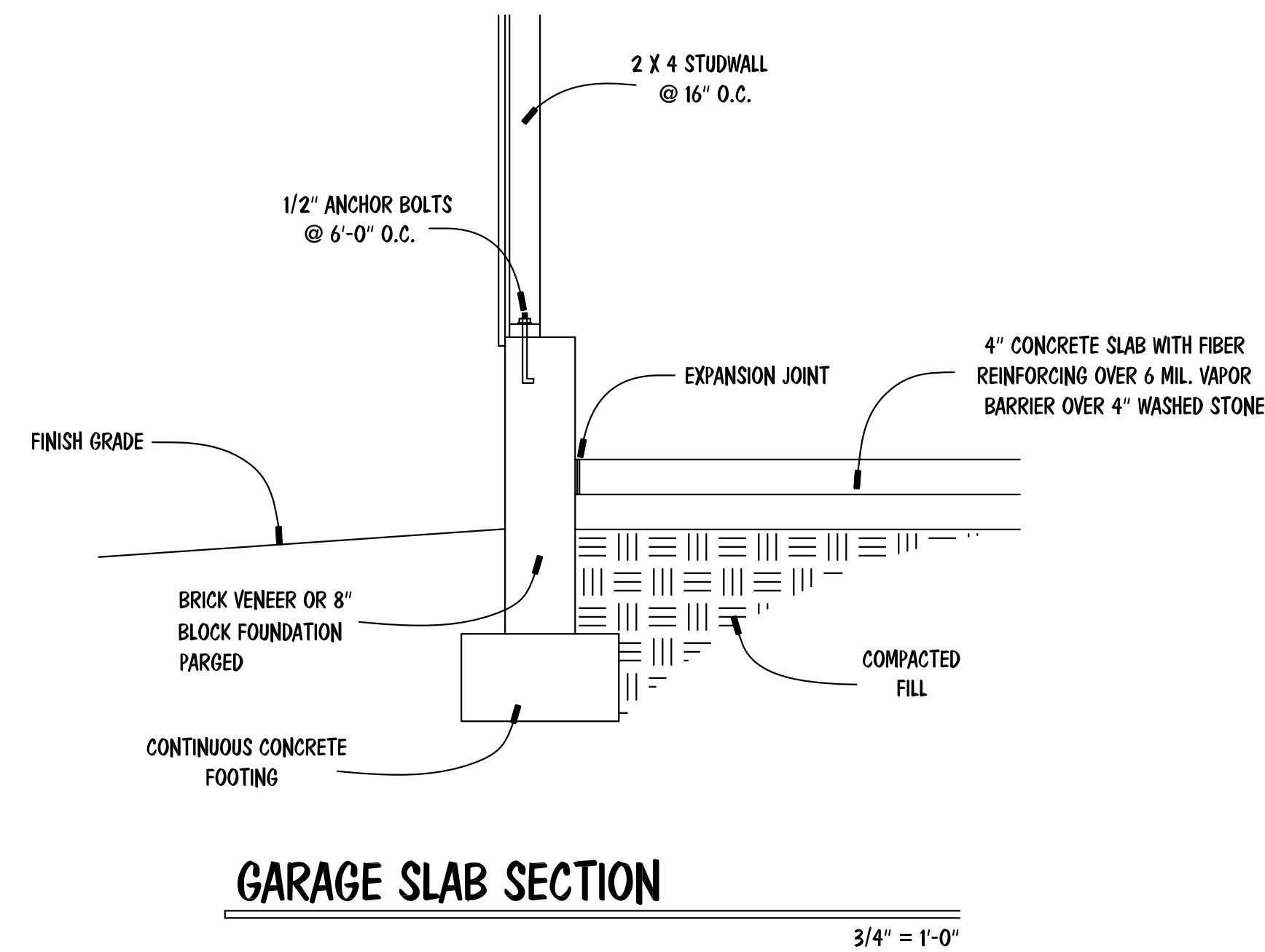
Southern Home Designs

455 Swiftside Drive
 Suite 104
 Cary, NC 27518
 Telephone: (919) 380-7400
 Fax: (919) 380-7464

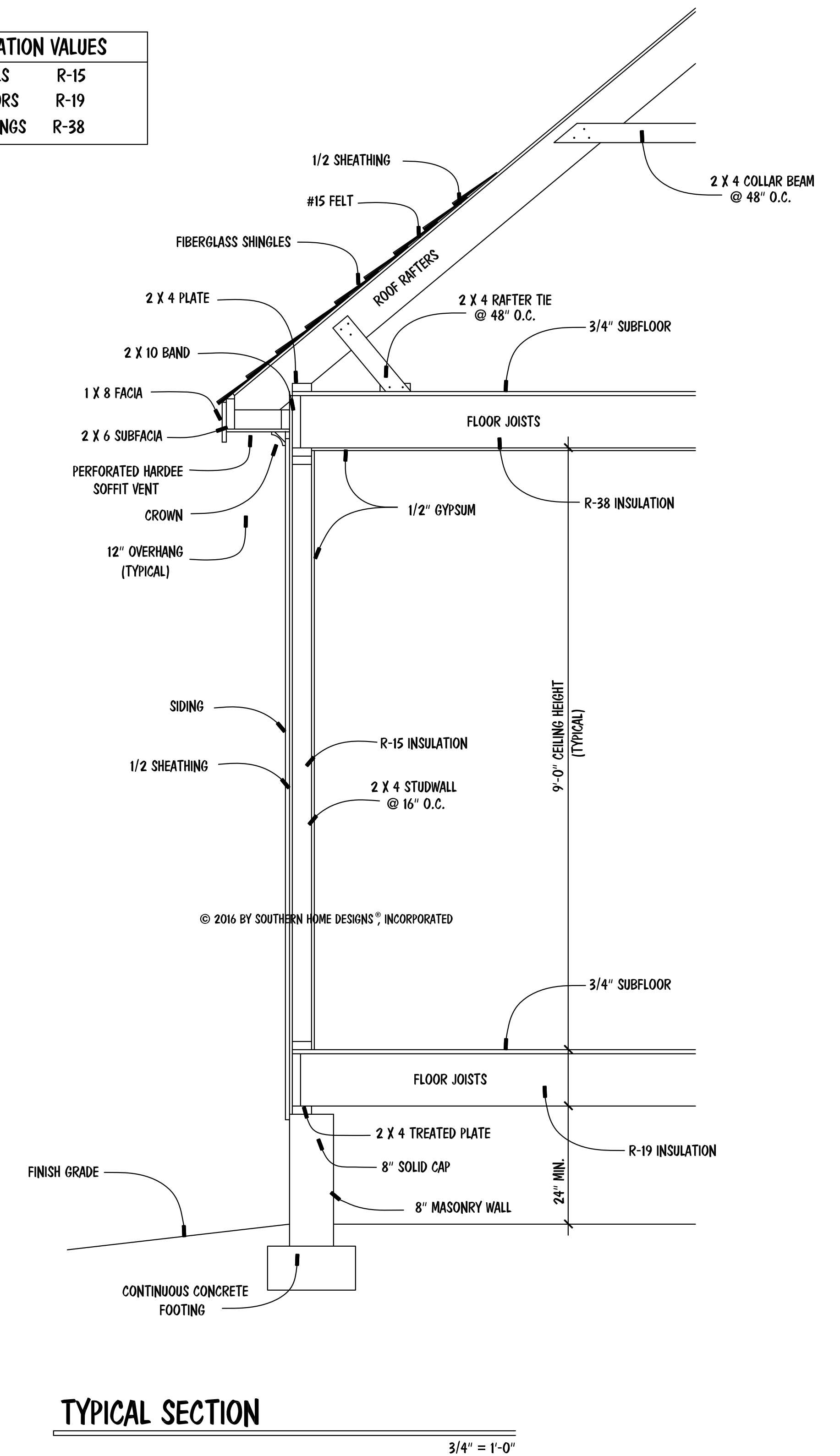
THE TOPSAIL

 Nauset Homes, LLC
 100 Sand Plover Court, Holly Springs, NC 27540
 Office - 919.270.1928

SD



INSULATION VALUES	
WALLS	R-15
FLOORS	R-19
CEILINGS	R-38



STR. DETAIL PLAN

ALL DIMENSIONS AND SITE DIMENSIONS ARE TO BE VERIFIED BEFORE CONSTRUCTION BEGINS. ONCE CONSTRUCTION HAS BEGUN SOUTHERN HOME DESIGNS, INCORPORATED, IS RELEASED FROM ANY FURTHER RESPONSIBILITIES.

Southern Home Designs
INCORPORATED
455 Swiftside Drive, Suite 105, Corp, NC 27518
919.380.7400 Office 919.380.7464 Fax
Email: shd@ncrrc.com

THE
TOPSAIL

Nauset Homes, LLC
100 Sand Plover Court, Holly Springs, NC 27540
Office: 919.270.1928

ENGR. #:
DATE: 07-30-16
SHEET: A-4
PLAN #: 16-073016