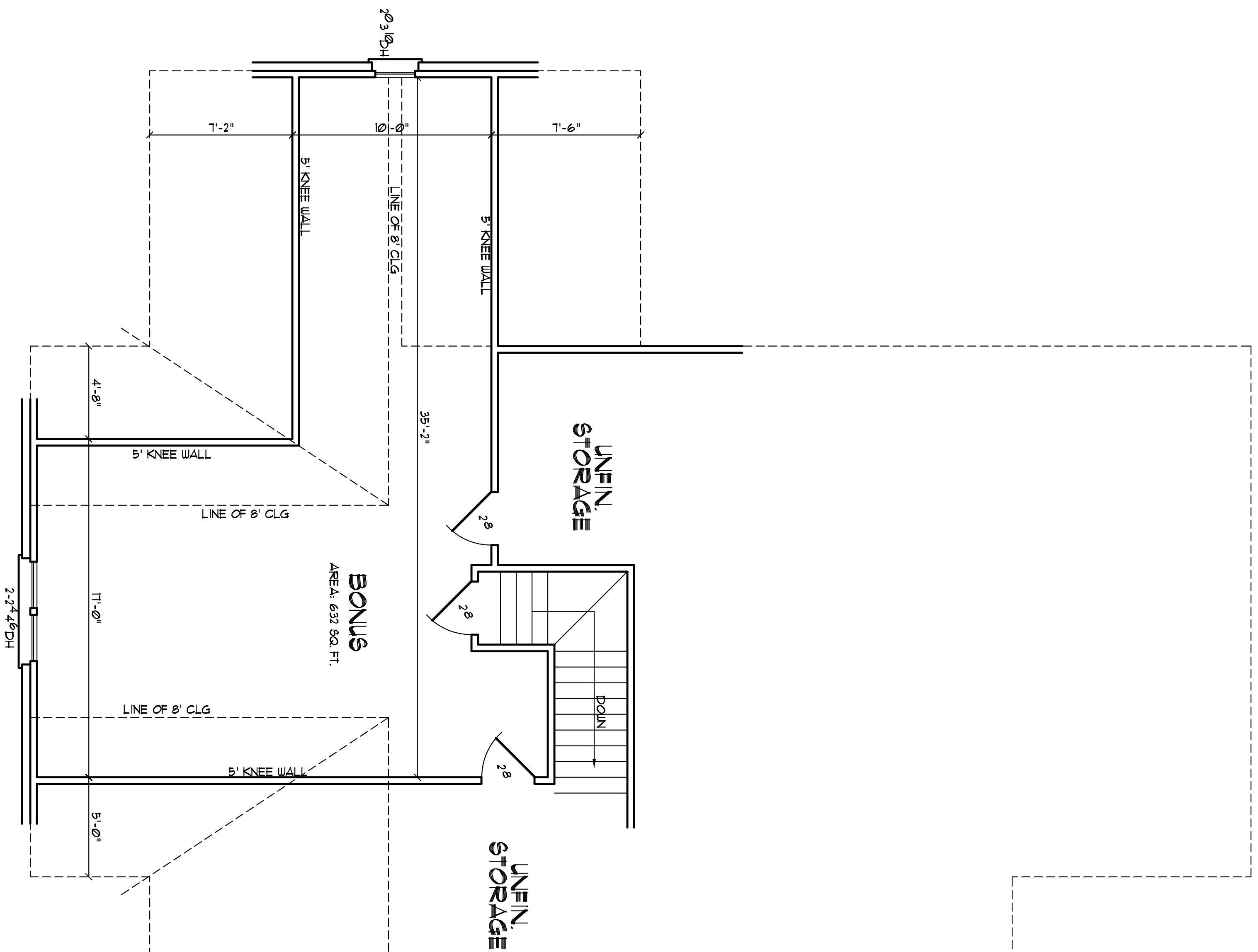


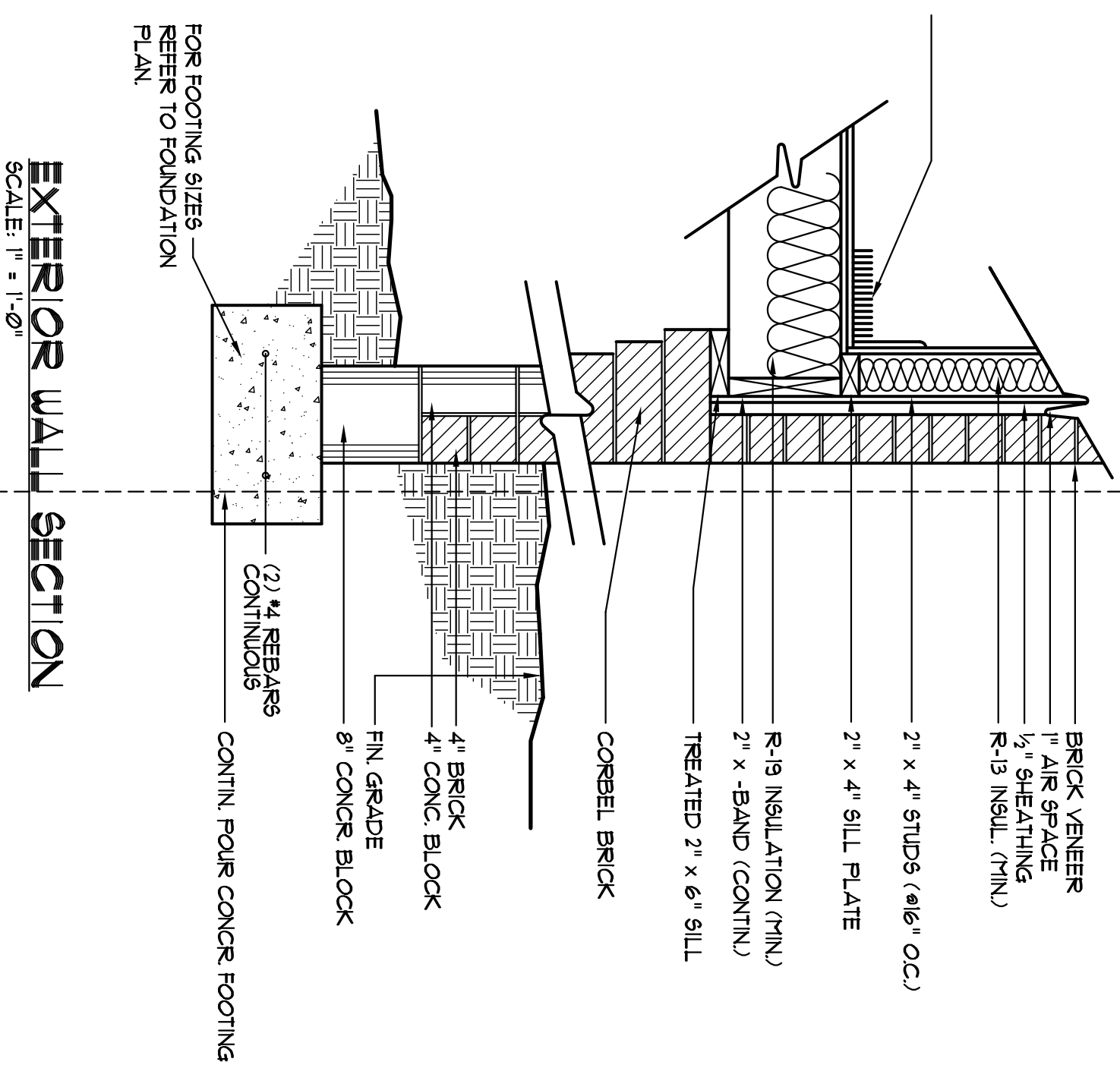
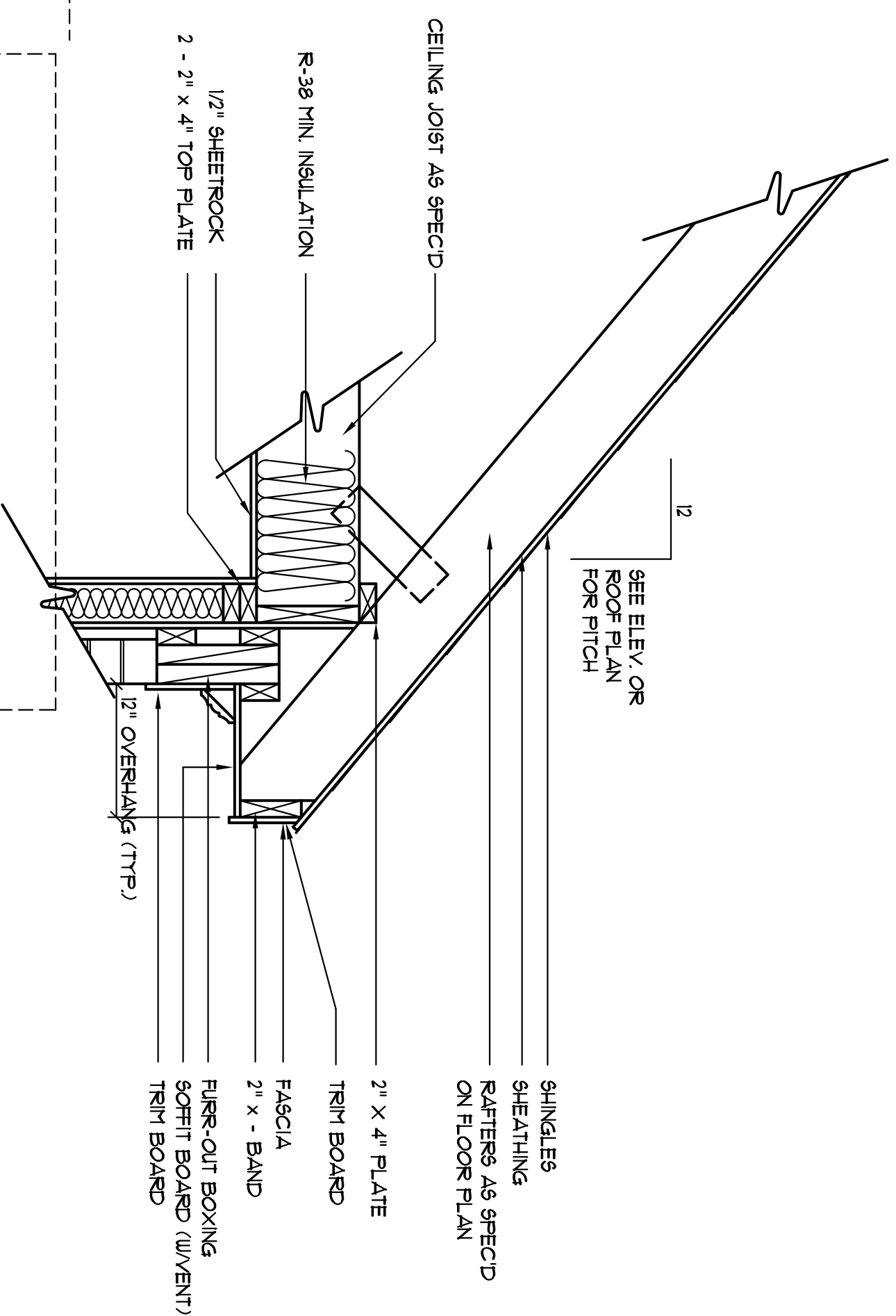
BUILDER SHALL VERIFY ALL DIMENSIONS AND CONDITIONS AT TIME OF CONSTRUCTION.
 ALL CONSTRUCTION SHALL CONFORM TO THE 2018 EDITION OF THE NC STATE BUILDING CODE. CODES GOVERN OVER DRAWINGS. DIMENSIONS GOVERN OVER SCALE.
 VERIFY ALL MECHANICAL REQUIREMENTS BEFORE READING.
 YUNCANNON DESIGNS DOES NOT ASSUME LIABILITY FOR ANY DEVIATION OF OR CONSTRUCTION METHODS OF THESE PLANS.



FLOOR PLAN
 SCALE: 1/4" = 1'-0"



RAISED CEILING BELOW



EXTERIOR WALL SECTION
 SCALE: 1" = 1'-0"

Daniel/Lauren Watkins

YUNCANNON DESIGNS
 CUSTOM HOME PLANS
 FUQUAY-VARINA, NC - (919) 421-1314

DRAWN BY : JRV
 CKD BY : JRV
 DATE : 07/19/20
 REVISIONS :

SHEET
A-4