

Member Report

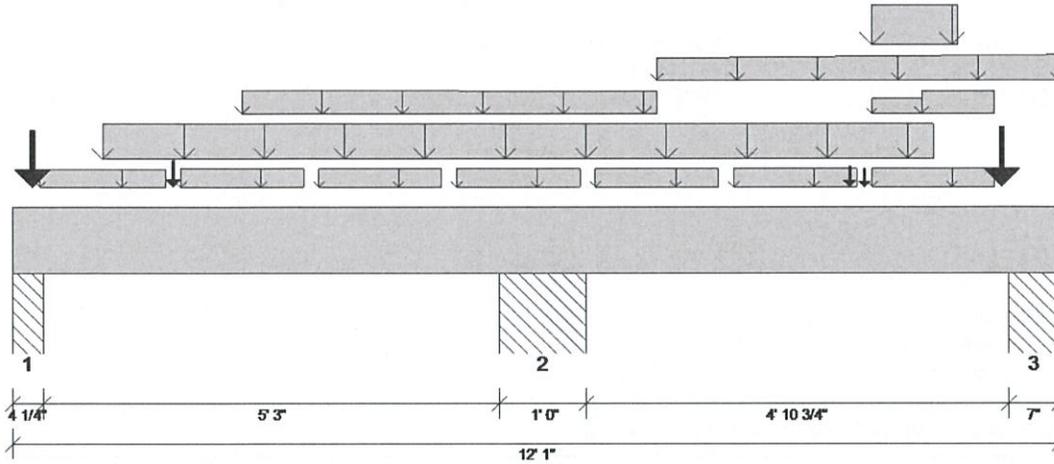
Label: M7-2 | Design Tag: i7308

2 piece(s) of 1 3/4" x 9 1/4" 2.0E Microllam® LVL

Member Type: Beam | Level: 1st Floor

Design Passed

Product is Sufficient for Application and Loads Described



Building Code: IBC 2018 Design Methodology: ASD Member Cut Length: 12' 1" Member Drawing Not to Scale

Design Results:	Design @ Location	Allowed	Result	LDF	Load Combination - (Load Group)
Critical Reaction	3075 lb @ 2 3/4"	11156 lb (4.25")	Passed - 28%	-	1.0 D + 1.0 L - (0)
Shear	3281 lb @ 4' 10"	6151 lb	Passed - 53%	1.00	1.0 D + 1.0 L - (0)
Moment	-4806 lb-ft @ 6' 1 1/4"	11204 lb-ft	Passed - 43%	1.00	1.0 D + 1.0 L - (0)
Live Load Deflection	0.04" @ 3' 4 1/16"	0.20" L/360	Passed - L/999	-	1.0 D + 1.0 L - (0)
Total Load Deflection	0.05" @ 9' 1 7/16"	0.28" L/240	Passed - L/999	-	1.0 D + 1.0 L - (0)

Design Notes:

- * Top Edge Bracing (Lu): Top compression edge must be braced at 12-01-00 o/c based on loads applied, unless detailed otherwise.
- * Bottom Edge Bracing (Lu): Bottom compression edge must be braced at 12-01-00 o/c based on loads applied, unless detailed otherwise.
- * Allowed moment does not reflect the adjustment for the beam stability factor.

Supports:

Support	Start : End	Req'd Br'g	Source	Maximum Loads to Supports			
				Dead	Floor Live	Roof Live	Snow
1	0" : 4 1/4"	1.5"	PBO7(i158)	952 lb	2106 / -235 lb	-	-38 lb
2	5' 7 1/4" : 6' 7 1/4"	3.15"	PBO12(i163)	2847 lb	5242 lb	-	258 lb
3	11' 6" : 12' 1"	-	-	1608 lb	2304 / -293 lb	-	727 lb
++>	11' 9" :-	1.5"	PBO26(i178)	1378 lb	1975 / -251 lb	-	623 lb
++>	12' 0 1/2" :-	-	F11(i9)	230 lb	329 / -42 lb	-	104 lb

Loads:

Type	Start : End	Combine	Source	Maximum Loads on Member			
				Dead	Floor Live	Roof Live	Snow
Self Weight	0" : 12' 1"	-	Self Weight	9 lb/ft	-	-	-
Uniform	3 13/16" : 1' 8 7/8"	-	FBk1(i7281)	104 lb/ft	12 lb/ft	-	-
Uniform	1' 0 3/8" : 10' 7 1/2"	-	Smoothed Load	-	746 lb/ft	-	-
Uniform	1' 11" : 3' 4 1/16"	-	FBk1(i7281)	105 lb/ft	14 lb/ft	-	-
Uniform	3' 6 3/16" : 4' 11 1/4"	-	FBk1(i7281)	105 lb/ft	14 lb/ft	-	-
Uniform	5' 1 3/8" : 6' 6 7/16"	-	FBk1(i7281)	105 lb/ft	14 lb/ft	-	-
Uniform	6' 8 9/16" : 8' 1 5/8"	-	FBk1(i7281)	105 lb/ft	14 lb/ft	-	-
Uniform	8' 3 3/4" : 9' 8 13/16"	-	FBk1(i7281)	105 lb/ft	14 lb/ft	-	-
Uniform	9' 10 15/16" : 11' 4"	-	FBk1(i7281)	105 lb/ft	14 lb/ft	-	-
Uniform	9' 10 15/16" : 10' 10"	-	FBk1(i7281)	432 lb/ft	-	-	499 lb/ft
Uniform	10' 5 13/16" : 11' 4"	-	FBk1(i7281)	124 lb/ft	-	-	165 lb/ft
Tapered	2' 7 9/16" : 7' 5 1/8"	-	Smoothed Load	317 To 273 lb/ft	-	-	-
Tapered	7' 5 1/8" : 12' 1"	-	Smoothed Load	259 To 387 lb/ft	-	-	-
Tapered	9' 10 15/16" : 10' 5"	-	FBk1(i7281)	4 To 2 lb/ft	-	-	5 To 3 lb/ft
Point	2 3/4" :-	-	F30(i7265)	407 lb	741 lb	-	-
Point	1' 9 15/16" :-	-	F30(i7175)	316 lb	-	-	-

Member Report

Label: M7-2 | Design Tag: i7308

Design Passed
2 piece(s) of 1 3/4" x 9 1/4" 2.0E Microllam® LVL

Member Type: Beam | Level: 1st Floor

Product is Sufficient for Application and Loads Described

Point	9' 7 13/16" :-	-	FBk1(i7281)	73 lb	-	-	84 lb
Point	9' 9 7/8" :-	-	F30'(i7170)	-	-	-	87 lb
Point	11' 5 1/16" :-	-	F30'(i7169)	-	1092 lb	-	138 lb

Errors, Warnings, & Notes:

- * If sloping roof loads are applied to this member, the roof dead load has been adjusted for slope.
- * The member graphic, dimensions, and locations shown on this report are based on the centerline of the member.
- * Analysis and Design has been performed using precision loading from actual modeled conditions. Some loads may have been modified to simplify reporting.
- * Load Duration Factors: Dead - 0.90, Floor Live - 1.00, Roof Live - 1.25, Snow - 1.15

Weyerhaeuser warrants that the sizing of its products will be in accordance with Weyerhaeuser product design criteria and published design values. Weyerhaeuser expressly disclaims any other warranties related to the software. Refer to current literature for installation details and trademark information available at wy.com/woodproducts. Use of this software is not intended to circumvent the need for a design professional as determined by the authority having jurisdiction. The designer of record, builder or framer is responsible to assure that this calculation is compatible with the overall project. The product application, input design loads, dimensions and support information have been provided by _____ of _____.

Copyright Weyerhaeuser NR Company. All rights reserved.

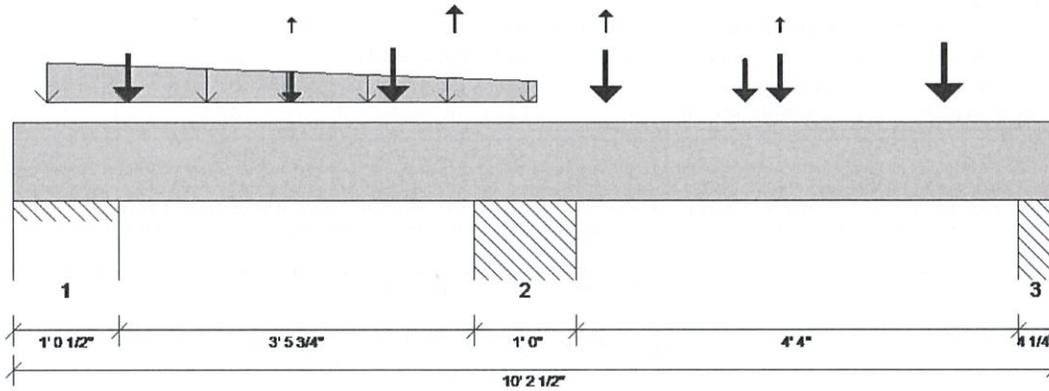


Member Report

Label: M8-2 | Design Tag: i7298

2 piece(s) of 1 3/4" x 9 1/4" 2.0E Microllam® LVL

Member Type: Beam | Level: 1st Floor

Design Passed
Product is Sufficient for Application and Loads Described


Building Code: IBC 2018 Design Methodology: ASD Member Cut Length: 10' 2 1/2" Member Drawing Not to Scale

Design Results:	Design @ Location	Allowed	Result	LDF	Load Combination - (Load Group)
Critical Reaction	3044 lb @ 5' 0 1/4"	31500 lb (12")	Passed - 10%	-	1.0 D + 1.0 L - (1)
Shear	1389 lb @ 3' 9"	6151 lb	Passed - 23%	1.00	1.0 D + 1.0 L - (1)
Moment	-1555 lb-ft @ 5' 0 1/4"	11204 lb-ft	Passed - 14%	1.00	1.0 D + 1.0 L - (1)
Live Load Deflection	0.01" @ 2' 8 13/16"	0.14" L/360	Passed - L/999	-	1.0 D + 1.0 L - (1)
Total Load Deflection	0.01" @ 2' 8 13/16"	0.21" L/240	Passed - L/999	-	1.0 D + 1.0 L - (1)

Design Notes:

- * Top Edge Bracing (Lu): Top compression edge must be braced at 10-03-00 o/c based on loads applied, unless detailed otherwise.
- * Bottom Edge Bracing (Lu): Bottom compression edge must be braced at 10-03-00 o/c based on loads applied, unless detailed otherwise.
- * Allowed moment does not reflect the adjustment for the beam stability factor.

Supports:

Support	Start : End	Req'd Br'g	Source	Maximum Loads to Supports			
				Dead	Floor Live	Roof Live	Snow
1	-0" : 1' 0 1/2"	-	-	692 lb	1652 / -161 lb	-	-12 lb
++>	3 1/4" : -	1.5"	F7(i5)	360 lb	859 / -84 lb	-	-6 lb
++>	9 1/2" : -	-	PBO22(i174)	332 lb	793 / -77 lb	-	-6 lb
2	4' 6 1/4" : 5' 6 1/4"	1.5"	PBO15(i166)	480 lb	2434 lb	-	-107 lb
3	9' 10 1/4" : 10' 2 1/2"	1.5"	PBO4(i155)	196 lb	733 / -100 lb	-	4 lb

Loads:

Type	Start : End	Combine	Source	Maximum Loads on Member			
				Dead	Floor Live	Roof Live	Snow
Self Weight	-0" : 10' 2 1/2"	-	Self Weight	9 lb/ft	-	-	-
Tapered	4" : 5' 1 9/16"	-	Smoothed Load	-	810 To 204 lb/ft	-	-
Point	1' 1 5/8" : -	-	F28'(i7086)	533 lb	-	-	-
Point	2' 8 13/16" : -	-	F30'(i7085)	250 lb	-	-	-3 lb
Point	3' 8 3/4" : -	-	F10'(i7323)	271 lb	339 lb	-	-
Point	4' 4" : -	-	F32'(i7084)	-99 lb	-	-	-105 lb
Point	5' 9 13/16" : -	-	F32'(i7311)	-109 lb	576 / -7 lb	-	-2 lb
Point	7' 2 1/4" : -	-	F10'(i7223)	261 lb	177 lb	-	-
Point	7' 6 3/8" : -	-	F30'(i7300)	8 lb	500 lb	-	-6 lb
Point	9' 1 9/16" : -	-	F30'(i7081)	162 lb	535 lb	-	-



Member Report

Label: M8-2 | Design Tag: i7298

2 piece(s) of 1 3/4" x 9 1/4" 2.0E Microllam® LVL

Member Type: Beam | Level: 1st Floor

Product is Sufficient for Application and Loads Described

Design Passed

Errors, Warnings, & Notes:

- * If sloping roof loads are applied to this member, the roof dead load has been adjusted for slope.
- * The member graphic, dimensions, and locations shown on this report are based on the centerline of the member.
- * Analysis and Design has been performed using precision loading from actual modeled conditions. Some loads may have been modified to simplify reporting.
- * Load Duration Factors: Dead - 0.90, Floor Live - 1.00, Roof Live - 1.25, Snow - 1.15

Weyerhaeuser warrants that the sizing of its products will be in accordance with Weyerhaeuser product design criteria and published design values. Weyerhaeuser expressly disclaims any other warranties related to the software. Refer to current literature for installation details and trademark information available at wy.com/woodproducts. Use of this software is not intended to circumvent the need for a design professional as determined by the authority having jurisdiction. The designer of record, builder or framer is responsible to assure that this calculation is compatible with the overall project. The product application, input design loads, dimensions and support information have been provided by _____ of _____.

Copyright Weyerhaeuser NR Company. All rights reserved.



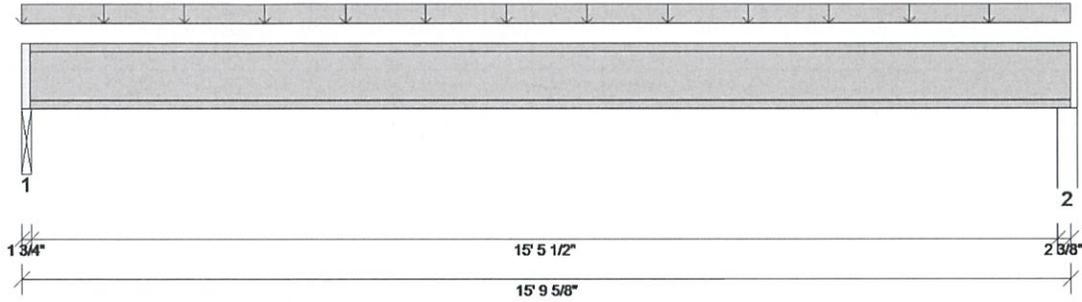
SUSTAINABLE FORESTRY INITIATIVE

Member Report

Floor Container: FC1 | Label: F16' | Design Tag: i7295

1 piece(s) of 11 7/8" TJI® 210 joist

Member Type: FloorJoist | Level: 1st Floor

Design Passed
Product is Sufficient for Application and Loads Described


Building Code: IBC 2018

Design Methodology: ASD

Member Cut Length: 15' 9 5/8"

Member Drawing Not to Scale

Design Results:	Design @ Location	Allowed	Result	LDF	Load Combination - (Load Group)
Critical Reaction	630 lb @ 3/4"	1005 lb (1.75")	Passed - 63%	1.00	1.0 D + 1.0 L - (0)
Shear	618 lb @ 1 3/4"	1655 lb	Passed - 37%	1.00	1.0 D + 1.0 L - (0)
Moment	2440 lb-ft @ 7' 10 1/2"	3795 lb-ft	Passed - 64%	1.00	1.0 D + 1.0 L - (0)
Live Load Deflection	0.25" @ 7' 10 1/2"	0.39" L/480	Passed - L/746	-	1.0 D + 1.0 L - (0)
Total Load Deflection	0.31" @ 7' 10 1/2"	0.78" L/240	Passed - L/596	-	1.0 D + 1.0 L - (0)
TJ Pro Rating	38	35	Passed		

Decking Material & Attachment: 23/32"x48"x96" Weyerhaeuser Edge Gold Panel (0/24) T&G SF - Glue And Nail

Design Notes:

- * Top Edge Bracing (Lu): Top compression edge must be braced at 4-08-00 o/c based on loads applied, unless detailed otherwise.
- * Bottom Edge Bracing (Lu): Bottom compression edge must be braced at 15-10-00 o/c based on loads applied, unless detailed otherwise.
- * Allowed moment does not reflect the adjustment for the beam stability factor.
- * For TJ-Pro™ Rating calculation the controlling span is considered to be supported by beams.
- * NOTE: This product has Floor Performance rating value less than the user-define minimum preference setting.
- * Member design (strength) is based on loads shown in loading section. TJ-Pro™ Rating, if shown, is based on 1-07-03 o.c. spacing.

Supports:

Support	Start : End	Req'd Br'g	Source	Maximum Loads to Supports			
				Dead	Floor Live	Roof Live	Snow
1	0" : 1 3/4"	1.75"	M5-2(i7246)	126 lb	504 lb	-	-
2	15' 7 1/4" : 15' 9 5/8"	1.75"	F10(i10)	128 lb	513 lb	-	-

Loads:

Type	Start : End	Combine	Source	Maximum Loads on Member			
				Dead	Floor Live	Roof Live	Snow
Uniform	0" : 15' 9 5/8"	-	FC1 Floor Decking	16 lb/ft	64 lb/ft	-	-

Errors, Warnings, & Notes:

- * If sloping roof loads are applied to this member, the roof dead load has been adjusted for slope.
- * The member graphic, dimensions, and locations shown on this report are based on the centerline of the member.
- * Analysis and Design has been performed using precision loading from actual modeled conditions. Some loads may have been modified to simplify reporting.



Member Report

Floor Container: FC1 | Label: F16' | Design Tag: i7295

1 piece(s) of 11 7/8" TJI® 210 joist

Member Type: FloorJoist | Level: 1st Floor

Product is Sufficient for Application and Loads Described

Design Passed

* The TJI-Pro™ Rating shown above is based on the default decking for the floor container. Special decking (if used) was not used in determination of the TJI-Pro™ Rating.

* Load Duration Factors: Dead - 0.90, Floor Live - 1.00, Roof Live - 1.25, Snow - 1.15

Weyerhaeuser warrants that the sizing of its products will be in accordance with Weyerhaeuser product design criteria and published design values. Weyerhaeuser expressly disclaims any other warranties related to the software. Refer to current literature for installation details and trademark information available at wy.com/woodproducts. Use of this software is not intended to circumvent the need for a design professional as determined by the authority having jurisdiction. The designer of record, builder or framer is responsible to assure that this calculation is compatible with the overall project. The product application, input design loads, dimensions and support information have been provided by _____ of _____.

Copyright Weyerhaeuser NR Company. All rights reserved.

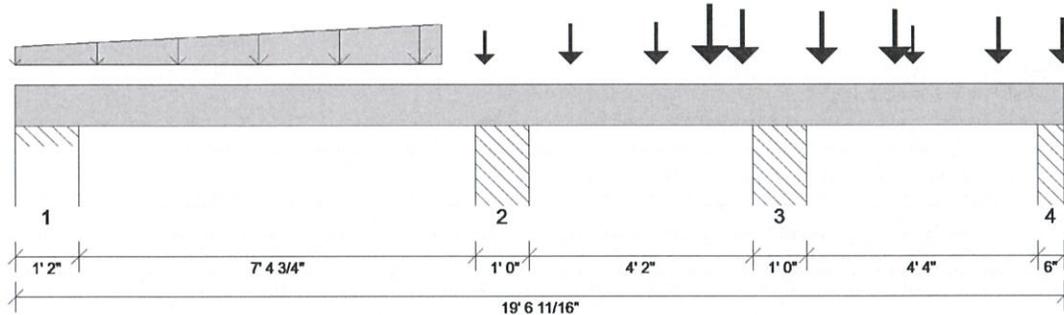


Member Report

Label: M4-2 | Design Tag: i7292

2 piece(s) of 1 3/4" x 9 1/4" 2.0E Microllam® LVL

Member Type: Beam | Level: 1st Floor

Design Passed
Product is Sufficient for Application and Loads Described


Building Code: IBC 2018

Design Methodology: ASD

Member Cut Length: 19' 6 11/16"

Member Drawing Not to Scale

Design Results:	Design @ Location	Allowed	Result	LDF	Load Combination - (Load Group)
Critical Reaction	10844 lb @ 14' 2 11/16"	31500 lb (12")	Passed - 34%	-	1.0 D + 1.0 L - (0)
Shear	4244 lb @ 12' 11 7/16"	6151 lb	Passed - 69%	1.00	1.0 D + 1.0 L - (0)
Moment	-5409 lb-ft @ 14' 2 11/16"	11204 lb-ft	Passed - 48%	1.00	1.0 D + 1.0 L - (0)
Live Load Deflection	0.03" @ 16' 8 13/16"	0.17" L/360	Passed - L/999	-	1.0 D + 1.0 L - (0)
Total Load Deflection	0.06" @ 16' 8 13/16"	0.25" L/240	Passed - L/999	-	1.0 D + 1.0 L - (0)

Design Notes:

* Top Edge Bracing (Lu): Top compression edge must be braced at 19-07-00 o/c based on loads applied, unless detailed otherwise.

* Bottom Edge Bracing (Lu): Bottom compression edge must be braced at 19-07-00 o/c based on loads applied, unless detailed otherwise.

* Allowed moment does not reflect the adjustment for the beam stability factor.

Supports:

Support	Start : End	Req'd Br'g	Source	Maximum Loads to Supports			
				Dead	Floor Live	Roof Live	Snow
1	0" : 1' 2"	-	-	191 lb	832 lb	-	-19 lb
+++	3 3/16" : -	1.5"	F35(i35)	87 lb	379 lb	-	-9 lb
+++	9 3/4" : -	-	PBO23(i175)	104 lb	453 lb	-	-10 lb
2	8' 6 11/16" : 9' 6 11/16"	1.91"	PBO3(i154)	1606 lb	3451 lb	-	211 lb
3	13' 8 11/16" : 14' 8 11/16"	4.13"	PBO14(i165)	5795 lb	4848 lb	-	1160 lb
4	19' 0 11/16" : 19' 6 11/16"	1.67"	PBO2(i153)	2649 lb	1898 / -224 lb	-	126 lb

Loads:

Type	Start : End	Combine	Source	Maximum Loads on Member			
				Dead	Floor Live	Roof Live	Snow
Self Weight	0" : 19' 6 11/16"	-	Self Weight	9 lb/ft	-	-	-
Tapered	0" : 7' 11 5/16"	-	Smoothed Load	14 To 106 lb/ft	54 To 424 lb/ft	-	-
Point	8' 8 7/8" : -	-	F18'(i7267)	311 lb	676 lb	-	-
Point	10' 4 1/16" : -	-	F28'(i7086)	569 lb	814 lb	-	-
Point	11' 11 1/4" : -	-	F30'(i7085)	639 lb	779 lb	-	12 lb
Point	12' 11 3/16" : -	-	F14'-2(i7209)	1279 lb	447 lb	-	716 lb
Point	12' 11 3/16" : -	-	F10'(i7323)	531 lb	541 lb	-	-
Point	13' 6 7/16" : -	-	F32'(i7084)	930 lb	733 lb	-	467 lb
Point	15' 0 1/4" : -	-	F32'(i7311)	851 lb	1155 lb	-	9 lb
Point	16' 4 11/16" : -	-	F16'-2(i7259)	1305 lb	719 lb	-	90 lb
Point	16' 4 11/16" : -	-	F10'(i7223)	653 lb	242 lb	-	-
Point	16' 8 13/16" : -	-	F30'(i7300)	559 lb	647 lb	-	21 lb
Point	18' 4" : -	-	F30'(i7081)	787 lb	916 lb	-	-
Point	19' 6 7/16" : -	-	F30'-2(i7218)	1177 lb	362 lb	-	116 lb



Member Report

Label: M4-2 | Design Tag: i7292

2 piece(s) of 1 3/4" x 9 1/4" 2.0E Microllam® LVL

Member Type: Beam | Level: 1st Floor

Product is Sufficient for Application and Loads Described

Design Passed

Errors, Warnings, & Notes:

- * If sloping roof loads are applied to this member, the roof dead load has been adjusted for slope.
- * The member graphic, dimensions, and locations shown on this report are based on the centerline of the member.
- * Analysis and Design has been performed using precision loading from actual modeled conditions. Some loads may have been modified to simplify reporting.
- * Load Duration Factors: Dead - 0.90, Floor Live - 1.00, Roof Live - 1.25, Snow - 1.15

Weyerhaeuser warrants that the sizing of its products will be in accordance with Weyerhaeuser product design criteria and published design values. Weyerhaeuser expressly disclaims any other warranties related to the software. Refer to current literature for installation details and trademark information available at wy.com/woodproducts. Use of this software is not intended to circumvent the need for a design professional as determined by the authority having jurisdiction. The designer of record, builder or framer is responsible to assure that this calculation is compatible with the overall project. The product application, input design loads, dimensions and support information have been provided by _____ of _____.

Copyright Weyerhaeuser NR Company. All rights reserved.



Member Report

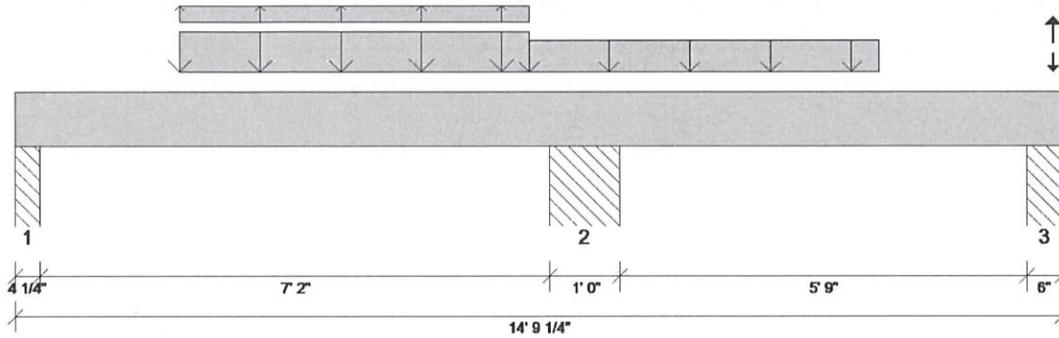
Label: M6-2 | Design Tag: i7258

2 piece(s) of 1 3/4" x 9 1/4" 2.0E Microllam® LVL

Member Type: Beam | Level: 1st Floor

Design Passed

Product is Sufficient for Application and Loads Described



Building Code: IBC 2018 Design Methodology: ASD Member Cut Length: 14' 9 1/4" Member Drawing Not to Scale

Design Results:	Design @ Location	Allowed	Result	LDF	Load Combination - (Load Group)
Critical Reaction	3943 lb @ 8' 0 1/4"	31500 lb (12")	Passed - 13%	-	1.0 D + 0.75 L + 0.75 S - (1)
Shear	1784 lb @ 6' 9"	7074 lb	Passed - 25%	1.15	1.0 D + 0.75 L + 0.75 S - (1)
Moment	-2839 lb-ft @ 8' 0 1/4"	12884 lb-ft	Passed - 22%	1.15	1.0 D + 0.75 L + 0.75 S - (1)
Live Load Deflection	0.03" @ 3' 11 3/4"	0.26" L/360	Passed - L/999	-	1.0 D + 0.75 L + 0.75 S - (1)
Total Load Deflection	0.07" @ 3' 11 1/16"	0.39" L/240	Passed - L/999	-	1.0 D + 0.75 L + 0.75 S - (1)

Design Notes:

- * Top Edge Bracing (Lu): Top compression edge must be braced at 14-09-00 o/c based on loads applied, unless detailed otherwise.
- * Bottom Edge Bracing (Lu): Bottom compression edge must be braced at 14-09-00 o/c based on loads applied, unless detailed otherwise.
- * Allowed moment does not reflect the adjustment for the beam stability factor.

Supports:

Support	Start : End	Req'd Br'g	Source	Maximum Loads to Supports			
				Dead	Floor Live	Roof Live	Snow
1	0" : 4' 1/4"	1.5"	PBO2(i153)	477 lb	224 / -73 lb	-	383 lb
2	7' 6 1/4" : 8' 6 1/4"	1.5"	PBO4(i155)	2160 lb	976 / -34 lb	-	1396 lb
3	14' 3 1/4" : 14' 9 1/4"	1.5"	PBO5(i156)	34 lb	156 / -77 lb	-	13 / -94 lb

Loads:

Type	Start : End	Combine	Source	Maximum Loads on Member			
				Dead	Floor Live	Roof Live	Snow
Self Weight	0" : 14' 9 1/4"	-	Self Weight	9 lb/ft	-	-	-
Uniform	2' 3 5/8" : 7' 2 7/8"	-	F30'-2(i7218)	305 lb/ft	137 / -31 lb/ft	-	243 lb/ft
Uniform	7' 2 7/8" : 12' 2 1/8"	-	F30'-2(i7218)	220 lb/ft	109 lb/ft	-	111 lb/ft
Point	14' 7 3/4" : -	-	F30'-2(i7218)	-56 lb	38 / -29 lb	-	-40 lb

Errors, Warnings, & Notes:

- * If sloping roof loads are applied to this member, the roof dead load has been adjusted for slope.
- * The member graphic, dimensions, and locations shown on this report are based on the centerline of the member.
- * Analysis and Design has been performed using precision loading from actual modeled conditions. Some loads may have been modified to simplify reporting.
- * Load Duration Factors: Dead - 0.90, Floor Live - 1.00, Roof Live - 1.25, Snow - 1.15



Member Report

Label: M6-2 | Design Tag: i7258

2 piece(s) of 1 3/4" x 9 1/4" 2.0E Microllam® LVL

Member Type: Beam | Level: 1st Floor

Product is Sufficient for Application and Loads Described

Design Passed

Weyerhaeuser warrants that the sizing of its products will be in accordance with Weyerhaeuser product design criteria and published design values. Weyerhaeuser expressly disclaims any other warranties related to the software. Refer to current literature for installation details and trademark information available at wy.com/woodproducts. Use of this software is not intended to circumvent the need for a design professional as determined by the authority having jurisdiction. The designer of record, builder or framer is responsible to assure that this calculation is compatible with the overall project. The product application, input design loads, dimensions and support information have been provided by _____ of _____.

Copyright Weyerhaeuser NR Company. All rights reserved.

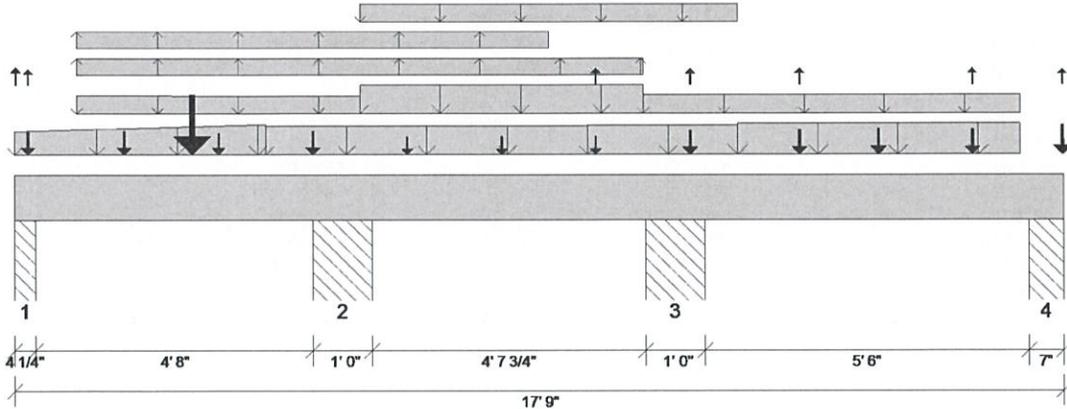


Member Report

Label: M5-2 | Design Tag: i7246
 2 piece(s) of 1 3/4" x 9 1/4" 2.0E Microllam® LVL
 Member Type: Beam | Level: 1st Floor

Design Passed

Product is Sufficient for Application and Loads Described



Building Code: IBC 2018 Design Methodology: ASD Member Cut Length: 17' 9" Member Drawing Not to Scale

Design Results:	Design @ Location	Allowed	Result	LDF	Load Combination - (Load Group)
Critical Reaction	2453 lb @ 2' 3/4"	11156 lb (4.25")	Passed - 22%	-	1.0 D + 1.0 L - (1)
Shear	2111 lb @ 4' 3"	6151 lb	Passed - 34%	1.00	1.0 D + 1.0 L - (1)
Moment	2919 lb-ft @ 2' 11 3/4"	11204 lb-ft	Passed - 26%	1.00	1.0 D + 1.0 L - (1)
Live Load Deflection	0.04" @ 14' 7 7/16"	0.20" L/360	Passed - L/999	-	1.0 D + 1.0 L - (1)
Total Load Deflection	0.04" @ 2' 11 3/4"	0.26" L/240	Passed - L/999	-	1.0 D + 0.75 L + 0.75 S - (1)

Design Notes:

- * Top Edge Bracing (Lu): Top compression edge must be braced at 17-09-00 o/c based on loads applied, unless detailed otherwise.
- * Bottom Edge Bracing (Lu): Bottom compression edge must be braced at 17-09-00 o/c based on loads applied, unless detailed otherwise.
- * Allowed moment does not reflect the adjustment for the beam stability factor.

Supports:

Support	Start : End	Req'd Br'g	Source	Maximum Loads to Supports			
				Dead	Floor Live	Roof Live	Snow
1	0" : 4' 1/4"	1.5"	PBO5(i156)	1043 lb	1512 / -272 lb	-	326 lb
2	5' 0 1/4" : 6' 0 1/4"	2.01"	PBO11(i162)	1755 lb	3461 / -170 lb	-	722 lb
3	10' 8" : 11' 8"	1.85"	PBO9(i160)	832 lb	3960 / -155 lb	-	-176 lb
4	17' 2" : 17' 9"	-	-	693 lb	1467 / -150 lb	-	422 lb
++>	17' 5" : -	1.5"	PBO25(i177)	594 lb	1257 / -129 lb	-	362 lb
++>	17' 8 1/2" : -	-	F18(i18)	99 lb	210 / -21 lb	-	60 lb

Loads:

Type	Start : End	Combine	Source	Maximum Loads on Member			
				Dead	Floor Live	Roof Live	Snow
Self Weight	0" : 17' 9"	-	Self Weight	9 lb/ft	-	-	-
Uniform	1' 0 3/8" : 10' 7 1/2"	-	Smoothed Load	-	-31 lb/ft	-	-
Uniform	1' 0 3/8" : 9' 0 5/16"	-	Smoothed Load	-	-31 lb/ft	-	-
Uniform	12' 2 11/16" : 17' 0"	-	Smoothed Load	-	323 lb/ft	-	-
Tapered	0" : 4' 2 3/4"	-	Smoothed Load	-	167 To 306 lb/ft	-	-
Tapered	1' 0 3/8" : 5' 9 15/16"	-	Smoothed Load	62 To 55 lb/ft	-	-	-
Tapered	4' 2 3/4" : 12' 2"	-	Smoothed Load	-	271 To 288 lb/ft	-	-
Tapered	5' 9 15/16" : 12' 2"	-	Smoothed Load	56 To 59 lb/ft	-	-	-
Tapered	5' 9 15/16" : 10' 7"	-	Smoothed Load	-	268 To 270 lb/ft	-	-
Tapered	10' 7 1/2" : 17' 0 1/4"	-	Smoothed Load	80 To 78 lb/ft	-	-	-
Point	1/4" : -	-	F30'-2(i7218)	-56 lb	-29 lb	-	-40 lb
Point	2 3/4" : -	-	F30'(i7222)	147 lb	258 / -29 lb	-	-
Point	2 3/4" : -	-	F30'(i7265)	215 lb	-29 lb	-	-
Point	1' 9 15/16" : -	-	F30'(i7175)	-	439 lb	-	-
Point	1' 9 15/16" : -	-	F30'(i7279)	308 lb	-	-	-

Member Report

Label: M5-2 | Design Tag: i7246

Design Passed
2 piece(s) of 1 3/4" x 9 1/4" 2.0E Microllam® LVL

Member Type: Beam | Level: 1st Floor

Product is Sufficient for Application and Loads Described

Point	2' 11 3/4" :-	-	F16'-2(i7310)	1093 lb	238 lb	-	966 lb
Point	3' 5 1/8" :-	-	F30'(i7278)	78 lb	267 lb	-	-
Point	5' 0 5/16" :-	-	F30'(i7173)	-	439 lb	-	-
Point	5' 0 5/16" :-	-	F30'(i7271)	143 lb	-	-	-
Point	6' 7 1/2" :-	-	F30'(i7277)	150 lb	-	-	-
Point	8' 2 11/16" :-	-	F30'(i7317)	168 lb	-	-	-
Point	9' 9 7/8" :-	-	F30'(i7220)	170 lb	-56 lb	-	-
Point	11' 5 1/16" :-	-	F30'(i7073)	-	453 / -60 lb	-	-
Point	11' 5 1/16" :-	-	F30'(i7169)	-	-37 lb	-	-
Point	13' 3 1/4" :-	-	F30'(i7301)	75 lb	420 / -55 lb	-	-
Point	14' 7 7/16" :-	-	F16'(i7071)	111 lb	441 lb	-	-
Point	16' 2 5/8" :-	-	F30'(i7280)	92 lb	417 / -47 lb	-	-
Point	17' 8 3/4" :-	-	F30'(i7069)	312 lb	46 / -5 lb	-	368 lb
Point	17' 9" :-	-	F16'(i7294)	2 lb	1 lb	-	-

Errors, Warnings, & Notes:

- * If sloping roof loads are applied to this member, the roof dead load has been adjusted for slope.
- * The member graphic, dimensions, and locations shown on this report are based on the centerline of the member.
- * Analysis and Design has been performed using precision loading from actual modeled conditions. Some loads may have been modified to simplify reporting.
- * Load Duration Factors: Dead - 0.90, Floor Live - 1.00, Roof Live - 1.25, Snow - 1.15

Weyerhaeuser warrants that the sizing of its products will be in accordance with Weyerhaeuser product design criteria and published design values. Weyerhaeuser expressly disclaims any other warranties related to the software. Refer to current literature for installation details and trademark information available at wy.com/woodproducts. Use of this software is not intended to circumvent the need for a design professional as determined by the authority having jurisdiction. The designer of record, builder or framer is responsible to assure that this calculation is compatible with the overall project. The product application, input design loads, dimensions and support information have been provided by _____ of _____.

Copyright Weyerhaeuser NR Company. All rights reserved.



Member Report

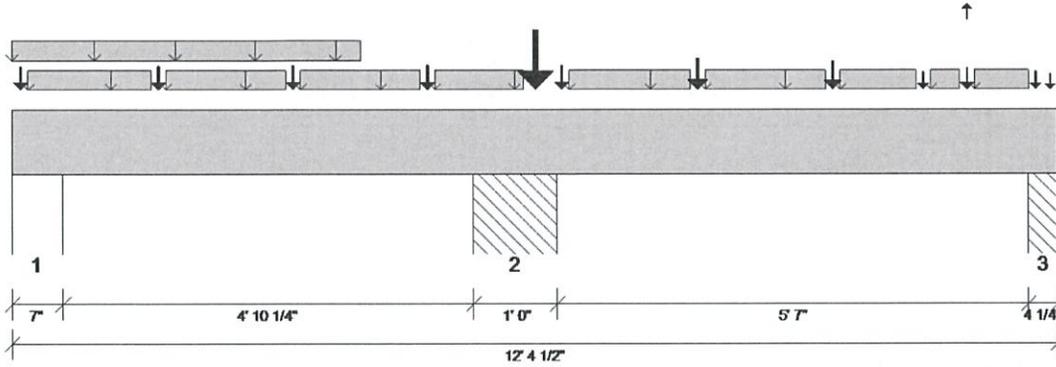
Label: M7-2 | Design Tag: i7238

2 piece(s) of 1 3/4" x 9 1/4" 2.0E Microllam® LVL

Member Type: Beam | Level: 1st Floor

Design Passed

Product is Sufficient for Application and Loads Described



Building Code: IBC 2018 Design Methodology: ASD Member Cut Length: 12' 4 1/2" Member Drawing Not to Scale

Design Results:	Design @ Location	Allowed	Result	LDF	Load Combination - (Load Group)
Critical Reaction	8966 lb @ 5' 11 1/4"	31500 lb (12")	Passed - 28%	-	1.0 D + 1.0 L - (1)
Shear	2109 lb @ 7' 2 1/2"	6151 lb	Passed - 34%	1.00	1.0 D + 1.0 L - (1)
Moment	-3161 lb-ft @ 5' 11 1/4"	11204 lb-ft	Passed - 28%	1.00	1.0 D + 1.0 L - (1)
Live Load Deflection	0.03" @ 9' 2 9/16"	0.21" L/360	Passed - L/999	-	1.0 D + 1.0 L - (1)
Total Load Deflection	0.05" @ 9' 2 13/16"	0.31" L/240	Passed - L/999	-	1.0 D + 1.0 L - (1)

Design Notes:

- * Top Edge Bracing (Lu): Top compression edge must be braced at 12-05-00 o/c based on loads applied, unless detailed otherwise.
- * Bottom Edge Bracing (Lu): Bottom compression edge must be braced at 12-05-00 o/c based on loads applied, unless detailed otherwise.
- * Allowed moment does not reflect the adjustment for the beam stability factor.

Supports:

Support	Start : End	Req'd Br'g	Source	Maximum Loads to Supports			
				Dead	Floor Live	Roof Live	Snow
1	0" : 7"	-	-	369 lb	1616 / -202 lb	-	-
++>	1/2" : -	1.5"	F1(i8)	53 lb	231 / -29 lb	-	-
++>	4" : -	-	PBO19(i171)	316 lb	1385 / -173 lb	-	-
2	5' 5 1/4" : 6' 5 1/4"	3.42"	PBO18(i169)	4170 lb	4732 lb	-	772 lb
3	12' 0 1/4" : 12' 4 1/2"	1.5"	PBO8(i159)	915 lb	1021 / -118 lb	-	-

Loads:

Type	Start : End	Combine	Source	Maximum Loads on Member			
				Dead	Floor Live	Roof Live	Snow
Self Weight	0" : 12' 4 1/2"	-	Self Weight	9 lb/ft	-	-	-
Uniform	2 5/16" : 1' 7 3/8"	-	FBk1(i7318)	81 lb/ft	-	-	-
Uniform	1' 9 1/2" : 3' 2 9/16"	-	FBk1(i7318)	81 lb/ft	-	-	-
Uniform	3' 4 11/16" : 4' 9 3/4"	-	FBk1(i7318)	81 lb/ft	-	-	-
Uniform	4' 11 7/8" : 6' 0 1/2"	-	FBk1(i7318)	81 lb/ft	-	-	-
Uniform	6' 7 1/16" : 8' 0 1/8"	-	FBk1(i7304)	81 lb/ft	-	-	-
Uniform	8' 2 1/4" : 9' 7 5/16"	-	FBk1(i7304)	81 lb/ft	-	-	-
Uniform	9' 9 7/16" : 10' 8"	-	FBk1(i7304)	81 lb/ft	-	-	-
Uniform	10' 10 7/16" : 11' 2"	-	FBk1(i7304)	81 lb/ft	-	-	-
Uniform	11' 4 5/8" : 12' 0"	-	FBk1(i7304)	81 lb/ft	-	-	-
Tapered	0" : 4' 1 3/16"	-	Smoothed Load	107 To 105 lb/ft	-	-	-
Point	1 1/4" : -	-	F30'(i7090)	-	672 lb	-	-
Point	1' 8 7/16" : -	-	F30'(i7088)	-	741 lb	-	-
Point	3' 3 5/8" : -	-	F30'(i7276)	-	742 lb	-	-
Point	4' 10 13/16" : -	-	F30'(i7268)	125 lb	669 lb	-	-
Point	6' 2 1/4" : -	-	M1-2(i7232)	1748 lb	1369 lb	-	754 lb

Member Report

Label: M7-2 | Design Tag: i7238

2 piece(s) of 1 3/4" x 9 1/4" 2.0E Microllam® LVL

Member Type: Beam | Level: 1st Floor

Product is Sufficient for Application and Loads Described
Design Passed

Point	6' 2 1/4" :-	-	F6'(i7202)	422 lb	430 lb	-	18 lb
Point	6' 6" :-	-	F30'(i7191)	330 lb	443 lb	-	-
Point	8' 1 3/16" :-	-	F30'(i7229)	624 lb	742 lb	-	-
Point	9' 8 3/8" :-	-	F30'(i7189)	443 lb	711 lb	-	-
Point	10' 9 3/8" :-	-	F6'(i7305)	78 lb	129 lb	-	-
Point	11' 3 9/16" :-	-	F24'(i7255)	187 lb	308 / -34 lb	-	-
Point	12' 1 3/8" :-	-	F6'(i7204)	124 lb	92 lb	-	-
Point	12' 3 7/16" :-	-	FBk1(i7304)	14 lb	-	-	-

Errors, Warnings, & Notes:

- * If sloping roof loads are applied to this member, the roof dead load has been adjusted for slope.
- * The member graphic, dimensions, and locations shown on this report are based on the centerline of the member.
- * Analysis and Design has been performed using precision loading from actual modeled conditions. Some loads may have been modified to simplify reporting.
- * Load Duration Factors: Dead - 0.90, Floor Live - 1.00, Roof Live - 1.25, Snow - 1.15

Weyerhaeuser warrants that the sizing of its products will be in accordance with Weyerhaeuser product design criteria and published design values. Weyerhaeuser expressly disclaims any other warranties related to the software. Refer to current literature for installation details and trademark information available at wy.com/woodproducts. Use of this software is not intended to circumvent the need for a design professional as determined by the authority having jurisdiction. The designer of record, builder or framer is responsible to assure that this calculation is compatible with the overall project. The product application, input design loads, dimensions and support information have been provided by _____ of _____.

Copyright Weyerhaeuser NR Company. All rights reserved.

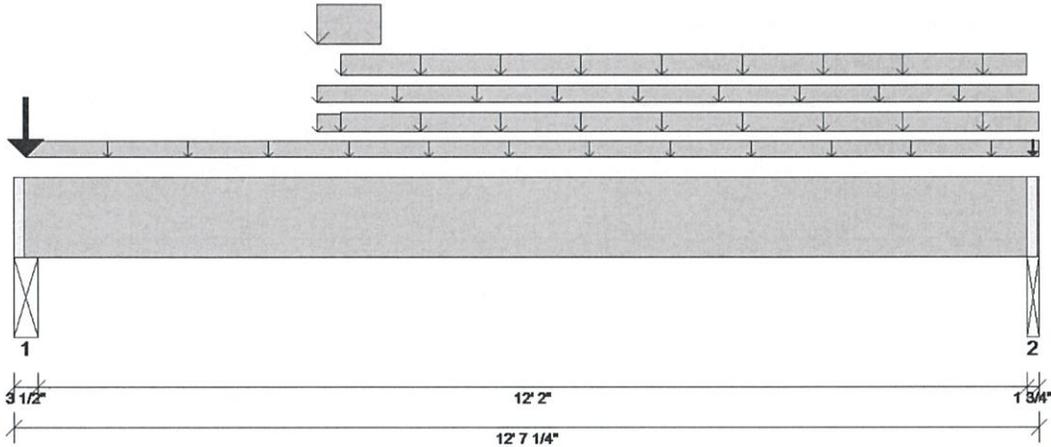


Member Report

Label: M1-2 | Design Tag: i7232

2 piece(s) of 1 3/4" x 11 7/8" 2.0E Microllam® LVL

Member Type: Beam | Level: 1st Floor

Design Passed
Product is Sufficient for Application and Loads Described


Building Code: IBC 2018 Design Methodology: ASD Member Cut Length: 12' 7 1/4" Member Drawing Not to Scale

Design Results:	Design @ Location	Allowed	Result	LDF	Load Combination - (Load Group)
Critical Reaction	3342 lb @ 12' 7"	4594 lb (1.75")	Passed - 73%	-	1.0 D + 0.75 L + 0.75 S - (0)
Shear	2544 lb @ 11' 5 5/8"	7897 lb	Passed - 32%	1.00	1.0 D + 1.0 L - (0)
Moment	9555 lb-ft @ 6' 4 1/8"	17848 lb-ft	Passed - 54%	1.00	1.0 D + 1.0 L - (0)
Live Load Deflection	0.15" @ 6' 4 15/16"	0.41" L/360	Passed - L/980	-	1.0 D + 0.75 L + 0.75 S - (0)
Total Load Deflection	0.32" @ 6' 5 1/16"	0.62" L/240	Passed - L/473	-	1.0 D + 0.75 L + 0.75 S - (0)

Design Notes:

- * Top Edge Bracing (Lu): Top compression edge must be braced at 12-07-00 o/c based on loads applied, unless detailed otherwise.
- * Bottom Edge Bracing (Lu): Bottom compression edge must be braced at 12-07-00 o/c based on loads applied, unless detailed otherwise.
- * Allowed moment does not reflect the adjustment for the beam stability factor.

Supports:

Support	Start : End	Req'd Br'g	Source	Maximum Loads to Supports			
				Dead	Floor Live	Roof Live	Snow
1	0" : 3 1/2"	1.5"	M7-2(i7031)	1545 lb	1326 lb	-	728 lb
2	12' 5 1/2" : 12' 7 1/4"	1.5"	M7-2(i7238)	1748 lb	1369 lb	-	754 lb

Loads:

Type	Start : End	Combine	Source	Maximum Loads on Member			
				Dead	Floor Live	Roof Live	Snow
Self Weight	0" : 12' 7 1/4"	-	Self Weight	11 lb/ft	-	-	-
Uniform	1 3/4" : 12' 7 1/4"	-	FC1 Floor Decking	8 lb/ft	32 lb/ft	-	-
Uniform	3' 8 1/2" : 12' 7 1/4"	-	B5(i120)	81 lb/ft	-	-	-
Uniform	3' 8 1/2" : 4' 6"	-	B5(i120)	456 lb/ft	455 lb/ft	-	282 lb/ft
Uniform	3' 8 1/2" : 4' 0"	-	B5(i120)	46 lb/ft	-	-	60 lb/ft
Uniform	4' 0" : 12' 7 1/4"	-	B5(i120)	92 lb/ft	-	-	120 lb/ft
Uniform	4' 0" : 12' 5 1/2"	-	B5(i120)	93 lb/ft	187 lb/ft	-	-
Point	1 3/4" : -	-	B4(i119)	362 lb	331 lb	-	206 lb
Point	12' 6 3/8" : -	-	B5(i120)	14 lb	27 lb	-	-

Errors, Warnings, & Notes:

- * If sloping roof loads are applied to this member, the roof dead load has been adjusted for slope.



Member Report

Label: M1-2 | Design Tag: i7232

2 piece(s) of 1 3/4" x 11 7/8" 2.0E Microllam® LVL

Member Type: Beam | Level: 1st Floor

Product is Sufficient for Application and Loads Described

Design Passed

* The member graphic, dimensions, and locations shown on this report are based on the centerline of the member.

* Analysis and Design has been performed using precision loading from actual modeled conditions. Some loads may have been modified to simplify reporting.

* Load Duration Factors: Dead - 0.90, Floor Live - 1.00, Roof Live - 1.25, Snow - 1.15

Weyerhaeuser warrants that the sizing of its products will be in accordance with Weyerhaeuser product design criteria and published design values. Weyerhaeuser expressly disclaims any other warranties related to the software. Refer to current literature for installation details and trademark information available at wy.com/woodproducts. Use of this software is not intended to circumvent the need for a design professional as determined by the authority having jurisdiction. The designer of record, builder or framer is responsible to assure that this calculation is compatible with the overall project. The product application, input design loads, dimensions and support information have been provided by _____ of _____.

Copyright Weyerhaeuser NR Company. All rights reserved.



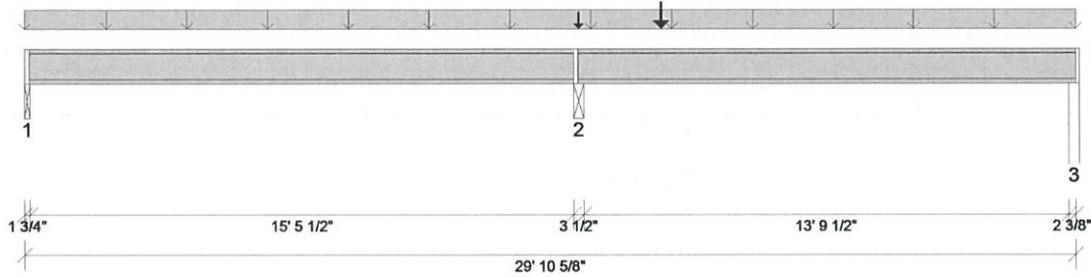


Member Report

Floor Container: FC1 | Label: F30 | Design Tag: i7171
1 piece(s) of 11 7/8" TJ® 210 joist
 Member Type: FloorJoist | Level: 1st Floor

Design Passed

Product is Sufficient for Application and Loads Described



Building Code: IBC 2018 Design Methodology: ASD Member Cut Length: 29' 10 5/8" Member Drawing Not to Scale

Design Results:	Design @ Location	Allowed	Result	LDF	Load Combination - (Load Group)
Critical Reaction	1632 lb @ 15' 9"	2145 lb (3.5")	Passed - 76%	1.00	1.0 D + 1.0 L - (0)
Shear	784 lb @ 15' 10 3/4"	1821 lb	Passed - 43%	1.00	1.0 D + 1.0 L - (0)
Moment	-2335 lb-ft @ 15' 9"	3795 lb-ft	Passed - 62%	1.00	1.0 D + 1.0 L - (0)
Live Load Deflection	0.19" @ 7' 5 7/16"	0.39" L/480	Passed - L/999	-	1.0 D + 1.0 L - (0)
Total Load Deflection	0.21" @ 7' 3 9/16"	0.78" L/240	Passed - L/882	-	1.0 D + 1.0 L - (0)
TJ Pro Rating	40	35	Passed		

Decking Material & Attachment: 23/32"x48"x96" Weyerhaeuser Edge Gold Panel (0/24) T&G SF - Glue And Nail

Design Notes:

- * Top Edge Bracing (Lu): Top compression edge must be braced at 5-07-00 o/c based on loads applied, unless detailed otherwise.
- * Bottom Edge Bracing (Lu): Bottom compression edge must be braced at 4-09-00 o/c based on loads applied, unless detailed otherwise.
- * Allowed moment does not reflect the adjustment for the beam stability factor.
- * For TJ-Pro™ Rating calculation the controlling span is considered to be supported by beams.
- * Member design (strength) is based on loads shown in loading section. TJ-Pro™ Rating, if shown, is based on 1-07-03 o.c. spacing.

Supports:

Support	Start : End	Req'd Br'g	Source	Maximum Loads to Supports			
				Dead	Floor Live	Roof Live	Snow
1	0" : 1 3/4"	1.75"	M5-2(i7246)	91 lb	439 / -47 lb	-	-
2	15' 7 1/4" : 15' 10 3/4"	3.5"	M7-2(i7308)	439 lb	1193 lb	-	-
3	29' 8 1/4" : 29' 10 5/8"	1.75"	F12(i11)	97 lb	409 / -75 lb	-	-

Loads:

Type	Start : End	Combine	Source	Maximum Loads on Member			
				Dead	Floor Live	Roof Live	Snow
Uniform	0" : 29' 10 5/8"	-	FC1 Floor Decking	16 lb/ft	64 lb/ft	-	-
Point	15' 9" : -	-	B7(i122)	18 lb	2 lb	-	-
Point	18' 1" : -	-	NB3(i73)	130 lb	-	-	-

Errors, Warnings, & Notes:

- * If sloping roof loads are applied to this member, the roof dead load has been adjusted for slope.



Member Report

Floor Container: FC1 | Label: F30' | Design Tag: i7171

1 piece(s) of 11 7/8" TJI® 210 joist

Member Type: FloorJoist | Level: 1st Floor

Product is Sufficient for Application and Loads Described

Design Passed

- * The member graphic, dimensions, and locations shown on this report are based on the centerline of the member.
- * Analysis and Design has been performed using precision loading from actual modeled conditions. Some loads may have been modified to simplify reporting.
- * The TJ-Pro™ Rating shown above is based on the default decking for the floor container. Special decking (if used) was not used in determination of the TJ-Pro™ Rating.
- * Load Duration Factors: Dead - 0.90, Floor Live - 1.00, Roof Live - 1.25, Snow - 1.15

Weyerhaeuser warrants that the sizing of its products will be in accordance with Weyerhaeuser product design criteria and published design values. Weyerhaeuser expressly disclaims any other warranties related to the software. Refer to current literature for installation details and trademark information available at wy.com/woodproducts. Use of this software is not intended to circumvent the need for a design professional as determined by the authority having jurisdiction. The designer of record, builder or framer is responsible to assure that this calculation is compatible with the overall project. The product application, input design loads, dimensions and support information have been provided by _____ of _____.

Copyright Weyerhaeuser NR Company. All rights reserved.





Member Report

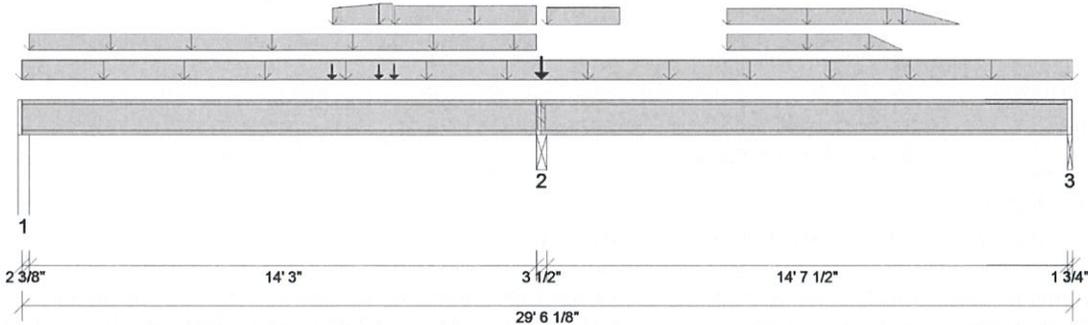
Floor Container: FC1 | Label: F30' | Design Tag: i7073

1 piece(s) of 11 7/8" TJI® 210 joist

Member Type: FloorJoist | Level: 1st Floor

Design Passed

Product is Sufficient for Application and Loads Described



Building Code: IBC 2018 Design Methodology: ASD Member Cut Length: 29' 6 1/8" Member Drawing Not to Scale

Design Results:	Design @ Location	Allowed	Result	LDF	Load Combination - (Load Group)
Critical Reaction	2379 lb @ 14' 7 1/8"	2505 lb (3.5")	Passed - 95%	1.00	1.0 D + 1.0 L - (0)
Shear	1191 lb @ 14' 5 3/8"	1821 lb	Passed - 65%	1.00	1.0 D + 1.0 L - (0)
Moment	-3181 lb-ft @ 14' 7 1/8"	3795 lb-ft	Passed - 84%	1.00	1.0 D + 1.0 L - (0)
Live Load Deflection	0.17" @ 22' 5 1/4"	0.37" L/480	Passed - L/999	-	1.0 D + 1.0 L - (0)
Total Load Deflection	0.26" @ 6' 11 7/8"	0.72" L/240	Passed - L/679	-	1.0 D + 1.0 L - (0)
TJ Pro Rating	43	35	Passed		

Decking Material & Attachment: 23/32"x48"x96" Weyerhaeuser Edge Gold Panel (0/24) T&G SF - Glue And Nail

Design Notes:

- * Top Edge Bracing (Lu): Top compression edge must be braced at 4-10-00 o/c based on loads applied, unless detailed otherwise.
- * Bottom Edge Bracing (Lu): Bottom compression edge must be braced at 4-00-00 o/c based on loads applied, unless detailed otherwise.
- * Allowed moment does not reflect the adjustment for the beam stability factor.
- * For TJ-Pro™ Rating calculation the controlling span is considered to be supported by beams.
- * Member design (strength) is based on loads shown in loading section. TJ-Pro™ Rating, if shown, is based on 1-07-03 o.c. spacing.

Supports:

Support	Start : End	Req'd Br'g	Source	Maximum Loads to Supports			
				Dead	Floor Live	Roof Live	Snow
1	0" : 2' 3/8"	1.75"	F21(i20)	246 lb	452 / -66 lb	-	-
2	14' 5 3/8" : 14' 8 7/8"	3.5"	M3-2(i7029)	1058 lb	1313 lb	-	-
3	29' 4 3/8" : 29' 6 1/8"	1.75"	M5-2(i7246)	129 lb	453 / -60 lb	-	-

Loads:

Type	Start : End	Combine	Source	Maximum Loads on Member			
				Dead	Floor Live	Roof Live	Snow
Uniform	0" : 29' 6 1/8"	-	FC1 Floor Decking	17 lb/ft	69 lb/ft	-	-
Uniform	2' 3/8" : 14' 5 3/8"	-	FC1 Floor Decking	17 lb/ft	-	-	-
Uniform	10' 0 1/4" : 10' 4 3/4"	-	NB21(i91)	114 lb/ft	-	-	-
Uniform	10' 5 3/8" : 14' 5 3/8"	-	FC1 Floor Decking	69 lb/ft	-	-	-
Uniform	14' 8 7/8" : 16' 9 3/8"	-	FC1 Floor Decking	34 lb/ft	-	-	-
Uniform	19' 9 3/8" : 24' 9"	-	FC1 Floor Decking	16 lb/ft	-	-	-
Uniform	19' 9 3/8" : 23' 9 3/4"	-	FC1 Floor Decking	14 lb/ft	-	-	-
Tapered	8' 8 9/16" : 10' 0"	-	FC1 Floor Decking	22 To 102 lb/ft	-	-	-
Tapered	23' 9 3/4" : 24' 9"	-	FC1 Floor Decking	14 To 0 lb/ft	-	-	-
Tapered	24' 9 3/16" : 26' 4"	-	FC1 Floor Decking	16 To 0 lb/ft	-	-	-
Point	8' 8 3/8" : -	-	FC1 Floor Decking	4 lb	-	-	-
Point	10' 0 1/4" : -	-	FC1 Floor Decking	1 lb	-	-	-
Point	10' 5 3/8" : -	-	FC1 Floor Decking	5 lb	-	-	-
Point	14' 7 1/8" : -	-	B2(i111)	42 lb	50 lb	-	-

File Name: SR-319586

Olive Job

REVISION DATE

REVISION COMMENTS

NC

Javelin® Software 6.5.0.522

Design Engine: V8.1.7.10

Data: V8.0.2.0

10/25/2023 8:56:33 AM

Page 1 of 2



Member Report

Floor Container: FC1 | Label: F30' | Design Tag: i7073

1 piece(s) of 11 7/8" TJI@ 210 joist

Member Type: FloorJoist | Level: 1st Floor

Product is Sufficient for Application and Loads Described

Design Passed

Reinforcing Accessories:

<u>Support / Location</u>	<u>Accessory Product(s)</u>
14' 7 1/8"	(2) 3/4" x 2 5/16" Web Stiffeners

Errors, Warnings, & Notes:

- * If sloping roof loads are applied to this member, the roof dead load has been adjusted for slope.
- * The member graphic, dimensions, and locations shown on this report are based on the centerline of the member.
- * Analysis and Design has been performed using precision loading from actual modeled conditions. Some loads may have been modified to simplify reporting.
- * The TJ-Pro™ Rating shown above is based on the default decking for the floor container. Special decking (if used) was not used in determination of the TJ-Pro™ Rating.
- * Load Duration Factors: Dead - 0.90, Floor Live - 1.00, Roof Live - 1.25, Snow - 1.15

Weyerhaeuser warrants that the sizing of its products will be in accordance with Weyerhaeuser product design criteria and published design values. Weyerhaeuser expressly disclaims any other warranties related to the software. Refer to current literature for installation details and trademark information available at wy.com/woodproducts. Use of this software is not intended to circumvent the need for a design professional as determined by the authority having jurisdiction. The designer of record, builder or framer is responsible to assure that this calculation is compatible with the overall project. The product application, input design loads, dimensions and support information have been provided by _____ of _____.

Copyright Weyerhaeuser NR Company. All rights reserved.



Member Report

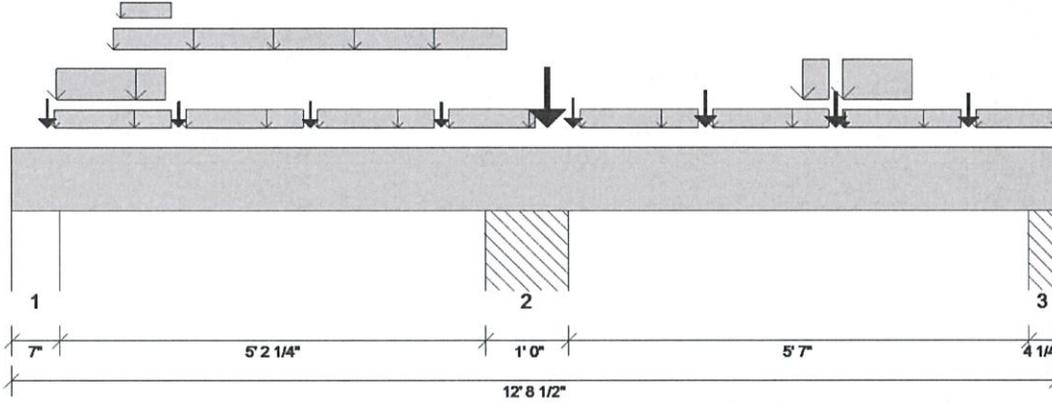
Label: M7-2 | Design Tag: i7031

2 piece(s) of 1 3/4" x 9 1/4" 2.0E Microllam® LVL

Member Type: Beam | Level: 1st Floor

Design Passed

Product is Sufficient for Application and Loads Described



Building Code: IBC 2018 Design Methodology: ASD Member Cut Length: 12' 8 1/2" Member Drawing Not to Scale

Design Results:	Design @ Location	Allowed	Result	LDF	Load Combination - (Load Group)
Critical Reaction	10859 lb @ 6' 3 1/4"	31500 lb (12")	Passed - 34%	-	1.0 D + 1.0 L - (0)
Shear	3379 lb @ 7' 6 1/2"	6151 lb	Passed - 55%	1.00	1.0 D + 1.0 L - (0)
Moment	-5279 lb-ft @ 6' 3 1/4"	11204 lb-ft	Passed - 47%	1.00	1.0 D + 1.0 L - (0)
Live Load Deflection	0.05" @ 9' 7 1/2"	0.21" L/360	Passed - L/999	-	1.0 D + 1.0 L - (0)
Total Load Deflection	0.09" @ 9' 8"	0.31" L/240	Passed - L/872	-	1.0 D + 1.0 L - (0)

Design Notes:

- * Top Edge Bracing (Lu): Top compression edge must be braced at 12-09-00 o/c based on loads applied, unless detailed otherwise.
- * Bottom Edge Bracing (Lu): Bottom compression edge must be braced at 12-09-00 o/c based on loads applied, unless detailed otherwise.
- * Allowed moment does not reflect the adjustment for the beam stability factor.

Supports:

Support	Start : End	Req'd Br'g	Source	Maximum Loads to Supports			
				Dead	Floor Live	Roof Live	Snow
1	0" : 7"	-	-	1057 lb	2141 / -300 lb	-	-8 lb
++>	1/2" : -	1.5"	F5(i3)	151 lb	306 / -43 lb	-	-1 lb
++>	4" : -	-	PBO20(i172)	906 lb	1835 / -257 lb	-	-7 lb
2	5' 9 1/4" : 6' 9 1/4"	4.14"	PBO17(i168)	5144 lb	5816 lb	-	777 lb
3	12' 4 1/4" : 12' 8 1/2"	1.5"	PBO6(i157)	1548 lb	1783 / -195 lb	-	53 lb

Loads:

Type	Start : End	Combine	Source	Maximum Loads on Member			
				Dead	Floor Live	Roof Live	Snow
Self Weight	0" : 12' 8 1/2"	-	Self Weight	9 lb/ft	-	-	-
Uniform	6 5/16" : 1' 11 3/8"	-	FBk1(i7264)	98 lb/ft	-	-	-
Uniform	6 1/2" : 1' 10 1/2"	-	FBk1(i7264)	249 lb/ft	369 lb/ft	-	-
Uniform	1' 4" : 1' 11 3/8"	-	FBk1(i7264)	7 lb/ft	14 lb/ft	-	-
Uniform	2' 1 1/2" : 3' 6 9/16"	-	FBk1(i7264)	105 lb/ft	14 lb/ft	-	-
Uniform	3' 8 11/16" : 5' 1 3/4"	-	FBk1(i7264)	105 lb/ft	14 lb/ft	-	-
Uniform	5' 3 7/8" : 6' 4 1/2"	-	FBk1(i7264)	105 lb/ft	14 lb/ft	-	-
Uniform	6' 11 1/16" : 8' 4 1/8"	-	FBk1(i7264)	105 lb/ft	14 lb/ft	-	-
Uniform	8' 6 1/4" : 9' 11 5/16"	-	FBk1(i7264)	105 lb/ft	14 lb/ft	-	-
Uniform	9' 7 1/2" : 9' 11 5/16"	-	FBk1(i7264)	400 lb/ft	495 lb/ft	-	71 lb/ft
Uniform	10' 1 7/16" : 11' 6"	-	FBk1(i7264)	98 lb/ft	-	-	-
Uniform	10' 1 7/16" : 10' 11"	-	FBk1(i7264)	400 lb/ft	495 lb/ft	-	71 lb/ft
Uniform	11' 8 5/8" : 12' 8 1/2"	-	FBk1(i7264)	98 lb/ft	-	-	-
Tapered	1' 2 13/16" : 6' 0 3/8"	-	Smoothed Load	251 To 250 lb/ft	-	-	-
Point	5 1/4" : -	-	F30'(i7090)	360 lb	750 lb	-	-
Point	2' 0 7/16" : -	-	F30'(i7088)	-	873 lb	-	-

Member Report

Label: M7-2 | Design Tag: i7031

2 piece(s) of 1 3/4" x 9 1/4" 2.0E Microllam® LVL

Member Type: Beam | Level: 1st Floor

Product is Sufficient for Application and Loads Described

Design Passed

Point	3' 7 5/8" :-	-	F30'(i7276)	-	884 lb	-	-
Point	5' 2 13/16" :-	-	F30'(i7268)	-	843 lb	-	-
Point	6' 6 1/4" :-	-	M1-2(i7232)	1545 lb	1326 lb	-	728 lb
Point	6' 10" :-	-	F30'(i7191)	472 lb	715 lb	-	-
Point	8' 5 3/16" :-	-	F30'(i7229)	865 lb	884 lb	-	-
Point	10' 0 3/8" :-	-	F30'(i7189)	659 lb	970 lb	-	12 lb
Point	10' 1 11/16" :-	-	FBk1(i7264)	-	1 lb	-	-
Point	11' 7 9/16" :-	-	F24'(i7255)	643 lb	833 lb	-	-

Errors, Warnings, & Notes:

- * If sloping roof loads are applied to this member, the roof dead load has been adjusted for slope.
- * The member graphic, dimensions, and locations shown on this report are based on the centerline of the member.
- * Analysis and Design has been performed using precision loading from actual modeled conditions. Some loads may have been modified to simplify reporting.
- * Load Duration Factors: Dead - 0.90, Floor Live - 1.00, Roof Live - 1.25, Snow - 1.15

Weyerhaeuser warrants that the sizing of its products will be in accordance with Weyerhaeuser product design criteria and published design values. Weyerhaeuser expressly disclaims any other warranties related to the software. Refer to current literature for installation details and trademark information available at wy.com/woodproducts. Use of this software is not intended to circumvent the need for a design professional as determined by the authority having jurisdiction. The designer of record, builder or framer is responsible to assure that this calculation is compatible with the overall project. The product application, input design loads, dimensions and support information have been provided by _____ of _____.

Copyright Weyerhaeuser NR Company. All rights reserved.



Member Report

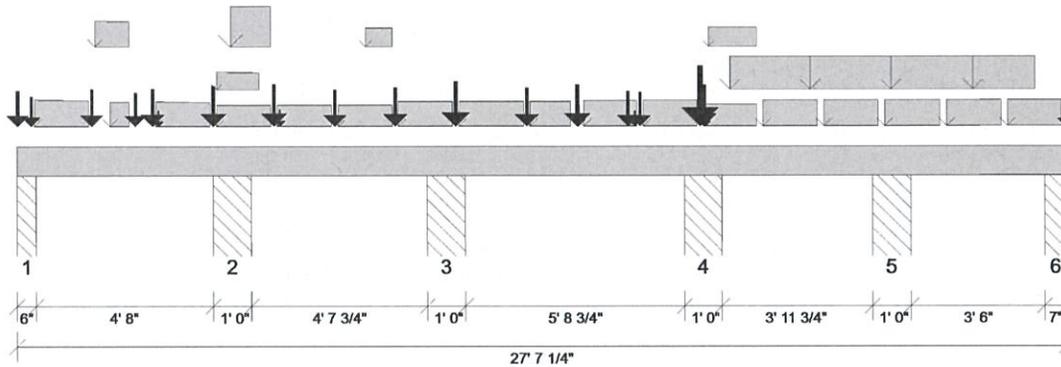
Label: M3-2 | Design Tag: i7029

2 piece(s) of 1 3/4" x 9 1/4" 2.0E Microllam® LVL

Member Type: Beam | Level: 1st Floor

Design Passed

Product is Sufficient for Application and Loads Described



Building Code: IBC 2018 Design Methodology: ASD Member Cut Length: 27' 7 1/4" Member Drawing Not to Scale

Design Results:	Design @ Location	Allowed	Result	LDF	Load Combination - (Load Group)
Critical Reaction	13632 lb @ 18' 0 1/2"	31500 lb (12")	Passed - 43%	-	1.0 D + 0.75 L + 0.75 S - (0)
Shear	5114 lb @ 16' 9 1/4"	6151 lb	Passed - 83%	1.00	1.0 D + 1.0 L - (0)
Moment	-6474 lb-ft @ 11' 3 3/4"	11204 lb-ft	Passed - 58%	1.00	1.0 D + 1.0 L - (0)
Live Load Deflection	0.07" @ 14' 8 13/16"	0.22" L/360	Passed - L/999	-	1.0 D + 1.0 L - (0)
Total Load Deflection	0.12" @ 14' 8 13/16"	0.34" L/240	Passed - L/667	-	1.0 D + 1.0 L - (0)

Design Notes:

- * Top Edge Bracing (Lu): Top compression edge must be braced at 18-10-00 o/c based on loads applied, unless detailed otherwise.
- * Bottom Edge Bracing (Lu): Bottom compression edge must be braced at 17-06-00 o/c based on loads applied, unless detailed otherwise.
- * Allowed moment does not reflect the adjustment for the beam stability factor.

Supports:

Support	Start : End	Req'd Br'g	Source	Maximum Loads to Supports			
				Dead	Floor Live	Roof Live	Snow
1	0" : 6"	2.11"	PBO2(i153)	3065 lb	2625 / -294 lb	-	723 lb
2	5' 2" : 6' 2"	4.15"	PBO10(i161)	5124 lb	5629 lb	-	1737 lb
3	10' 9 3/4" : 11' 9 3/4"	4.56"	PBO1(i152)	4943 lb	7131 lb	-	396 lb
4	17' 6 1/2" : 18' 6 1/2"	5.19"	PBO13(i164)	5970 lb	6852 lb	-	3359 lb
5	22' 6 1/4" : 23' 6 1/4"	2.58"	PBO42(i6171)	1856 lb	4737 lb	-	672 lb
6	27' 0 1/4" : 27' 7 1/4"	-	-	1072 lb	2203 / -332 lb	-	337 lb
++>	27' 3 1/4" : -	1.5"	PBO24(i176)	919 lb	1888 / -285 lb	-	289 lb
++>	27' 6 3/4" : -	-	F16(i17)	153 lb	315 / -47 lb	-	48 lb

Loads:

Type	Start : End	Combine	Source	Maximum Loads on Member			
				Dead	Floor Live	Roof Live	Snow
Self Weight	0" : 27' 7 1/4"	-	Self Weight	9 lb/ft	-	-	-
Uniform	2' 5 1/2" : 2' 11 7/16"	-	FBk1(i7326)	250 lb/ft	-	-	258 lb/ft
Uniform	5' 3 1/8" : 6' 8 3/16"	-	FBk1(i7326)	176 lb/ft	156 lb/ft	-	-
Uniform	5' 7 7/16" : 6' 8 3/16"	-	FBk1(i7326)	657 To 659 lb/ft	-	-	688 To 690 lb/ft
Uniform	6' 10 5/16" : 8' 3 3/8"	-	FBk1(i7326)	176 lb/ft	156 lb/ft	-	-
Uniform	8' 5 1/2" : 9' 10 9/16"	-	FBk1(i7326)	176 lb/ft	156 lb/ft	-	-
Uniform	9' 2 3/16" : 9' 10"	-	FBk1(i7326)	67 lb/ft	134 lb/ft	-	-
Uniform	10' 0 11/16" : 11' 5"	-	FBk1(i7326)	243 lb/ft	290 lb/ft	-	-
Uniform	11' 7 7/8" : 13' 3"	-	FBk1(i7326)	243 lb/ft	290 lb/ft	-	-
Uniform	13' 6 1/16" : 14' 6"	-	FBk1(i7326)	243 lb/ft	290 lb/ft	-	-
Uniform	14' 10 7/8" : 16' 3"	-	FBk1(i7326)	280 lb/ft	156 lb/ft	-	138 lb/ft
Uniform	16' 5 7/16" : 17' 10"	-	FBk1(i7326)	287 lb/ft	170 lb/ft	-	138 lb/ft
Uniform	18' 0 5/8" : 19' 5"	-	FBk1(i7326)	209 lb/ft	14 lb/ft	-	138 lb/ft

Member Report

Label: M3-2 | Design Tag: i7029

Design Passed

2 piece(s) of 1 3/4" x 9 1/4" 2.0E Microllam® LVL

Member Type: Beam | Level: 1st Floor

Product is Sufficient for Application and Loads Described

Uniform	18' 2 1/4" : 19' 5"	-	FBk1(i7326)	74 lb/ft	148 lb/ft	-	-
Uniform	18' 9 3/16" : 26' 9"	-	Smoothed Load	208 lb/ft	727 lb/ft	-	15 lb/ft
Uniform	19' 7 13/16" : 21' 0"	-	FBk1(i7326)	283 lb/ft	161 lb/ft	-	138 lb/ft
Uniform	21' 3" : 22' 8 1/16"	-	FBk1(i7326)	283 lb/ft	161 lb/ft	-	138 lb/ft
Uniform	22' 10 3/16" : 24' 3"	-	FBk1(i7326)	283 lb/ft	161 lb/ft	-	138 lb/ft
Uniform	24' 5 3/8" : 25' 10"	-	FBk1(i7326)	283 lb/ft	161 lb/ft	-	138 lb/ft
Uniform	26' 0 9/16" : 27' 5"	-	FBk1(i7326)	283 lb/ft	161 lb/ft	-	138 lb/ft
Tapered	5 9/16" : 1' 10 5/8"	-	FBk1(i7326)	302 To 282 lb/ft	156 To 156 lb/ft	-	167 To 141 lb/ft
Tapered	2' 0 3/4" : 2' 11 7/16"	-	FBk1(i7326)	280 To 268 lb/ft	156 To 156 lb/ft	-	138 To 122 lb/ft
Tapered	3' 7 15/16" : 5' 1"	-	FBk1(i7326)	258 To 239 lb/ft	156 To 156 lb/ft	-	109 To 83 lb/ft
Tapered	5' 3 1/8" : 6' 4 1/2"	-	FBk1(i7326)	60 To 45 lb/ft	-	-	80 To 60 lb/ft
Point	1/4" : -	-	F30'(i7218)	1177 lb	362 lb	-	116 lb
Point	4 1/2" : -	-	F30'(i7222)	398 lb	736 lb	-	39 lb
Point	1' 11 11/16" : -	-	F30'(i7279)	667 lb	1076 lb	-	24 lb
Point	3' 1 1/2" : -	-	F16'-2(i7310)	678 lb	309 lb	-	503 lb
Point	3' 6 7/8" : -	-	F30'(i7278)	768 lb	957 lb	-	99 lb
Point	3' 8 3/4" : -	-	FBk1(i7326)	33 lb	-	-	35 lb
Point	5' 2 1/16" : -	-	F30'(i7271)	873 lb	1160 lb	-	14 lb
Point	6' 9 1/4" : -	-	F30'(i7277)	911 lb	1160 lb	-	120 lb
Point	6' 11 1/8" : -	-	FBk1(i7326)	64 lb	-	-	67 lb
Point	8' 4 7/16" : -	-	F30'(i7317)	559 lb	1160 lb	-	-
Point	9' 11 5/8" : -	-	F30'(i7220)	692 lb	1225 lb	-	-
Point	11' 6 13/16" : -	-	F30'(i7073)	1058 lb	1313 lb	-	-
Point	13' 5" : -	-	F30'(i7301)	670 lb	1215 lb	-	-
Point	14' 8 13/16" : -	-	F14'-2(i7253)	1186 lb	535 lb	-	419 lb
Point	14' 9 3/16" : -	-	F16'(i7071)	120 lb	438 lb	-	-
Point	16' 0 11/16" : -	-	FBk1(i7326)	626 lb	966 lb	-	-
Point	16' 2 3/4" : -	-	FBk1(i7326)	1 lb	1 lb	-	-
Point	16' 4 3/8" : -	-	F30'(i7280)	335 lb	1169 lb	-	24 lb
Point	17' 11 9/16" : -	-	F30'(i7069)	1276 lb	1187 lb	-	1188 lb
Point	18' 0 7/8" : -	-	FBk1(i7326)	931 lb	-	-	1164 lb
Point	18' 1 7/16" : -	-	FBk1(i7326)	20 lb	40 lb	-	-
Point	27' 6 11/16" : -	-	F30'(i7309)	164 lb	524 lb	-	20 lb

Errors, Warnings, & Notes:

- * If sloping roof loads are applied to this member, the roof dead load has been adjusted for slope.
- * The member graphic, dimensions, and locations shown on this report are based on the centerline of the member.
- * Analysis and Design has been performed using precision loading from actual modeled conditions. Some loads may have been modified to simplify reporting.
- * Load Duration Factors: Dead - 0.90, Floor Live - 1.00, Roof Live - 1.25, Snow - 1.15

Weyerhaeuser warrants that the sizing of its products will be in accordance with Weyerhaeuser product design criteria and published design values. Weyerhaeuser expressly disclaims any other warranties related to the software. Refer to current literature for installation details and trademark information available at wy.com/woodproducts. Use of this software is not intended to circumvent the need for a design professional as determined by the authority having jurisdiction. The designer of record, builder or framer is responsible to assure that this calculation is compatible with the overall project. The product application, input design loads, dimensions and support information have been provided by _____ of _____.

Copyright Weyerhaeuser NR Company. All rights reserved.



Member Report

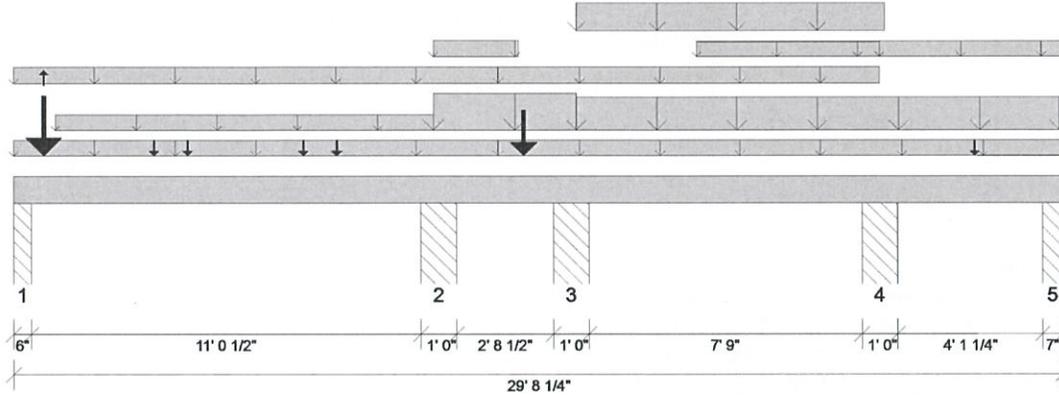
Label: M2-2 | Design Tag: i7021

2 piece(s) of 1 3/4" x 9 1/4" 2.0E Microllam® LVL

Member Type: Beam | Level: 1st Floor

Design Passed

Product is Sufficient for Application and Loads Described



Building Code: IBC 2018 Design Methodology: ASD Member Cut Length: 29' 8 1/4" Member Drawing Not to Scale

Design Results:	Design @ Location	Allowed	Result	LDF	Load Combination - (Load Group)
Critical Reaction	5035 lb @ 4 1/2"	15750 lb (6")	Passed - 32%	-	1.0 D + 0.75 L + 0.75 S - (1)
Shear	2834 lb @ 14' 5 3/4"	7074 lb	Passed - 40%	1.15	1.0 D + 0.75 L + 0.75 S - (1)
Moment	-3179 lb-ft @ 15' 9"	11204 lb-ft	Passed - 28%	1.00	1.0 D + 1.0 L - (1)
Live Load Deflection	0.04" @ 20' 2"	0.29" L/360	Passed - L/999	-	1.0 D + 0.75 L + 0.75 S - (1)
Total Load Deflection	0.12" @ 5' 2 1/8"	0.58" L/240	Passed - L/999	-	1.0 D + 1.0 L - (1)

Design Notes:

- * Top Edge Bracing (Lu): Top compression edge must be braced at 29-08-00 o/c based on loads applied, unless detailed otherwise.
- * Bottom Edge Bracing (Lu): Bottom compression edge must be braced at 29-08-00 o/c based on loads applied, unless detailed otherwise.
- * Allowed moment does not reflect the adjustment for the beam stability factor.

Supports:

Support	Start : End	Req'd Br'g	Source	Maximum Loads to Supports			
				Dead	Floor Live	Roof Live	Snow
1	0" : 6"	1.92"	PBO5(i156)	2583 lb	2255 / -15 lb	-	1013 lb
2	11' 6 1/2" : 12' 6 1/2"	1.5"	PBO6(i157)	1769 lb	1228 / -1 lb	-	618 lb
3	15' 3" : 16' 3"	2.27"	PBO7(i158)	2916 lb	2299 lb	-	1777 lb
4	24' 0" : 25' 0"	1.5"	PBO8(i159)	2074 lb	1718 lb	-	726 lb
5	29' 1 1/4" : 29' 8 1/4"	-	-	229 lb	547 / -216 lb	-	-128 lb
++>	29' 4 1/4" : -	1.5"	PBO27(i181)	196 lb	469 / -185 lb	-	-110 lb
++>	29' 7 3/4" : -	-	F12(i11)	33 lb	78 / -31 lb	-	-18 lb

Loads:

Type	Start : End	Combine	Source	Maximum Loads on Member			
				Dead	Floor Live	Roof Live	Snow
Self Weight	0" : 29' 8 1/4"	-	Self Weight	9 lb/ft	-	-	-
Uniform	0" : 29' 8 1/4"	-	F30'(i7248)	5 lb/ft	8 lb/ft	-	-
Uniform	0" : 24' 6"	-	F30'(i7248)	6 lb/ft	24 lb/ft	-	-
Uniform	1' 2 1/4" : 11' 10 3/4"	-	F30'(i7248)	7 lb/ft	-	-	-
Uniform	11' 10 3/4" : 15' 10"	-	F30'(i7248)	231 To 232 lb/ft	57 lb/ft	-	139 To 140 lb/ft
Uniform	11' 10 3/4" : 14' 3"	-	F30'(i7248)	8 lb/ft	15 lb/ft	-	-
Uniform	15' 10 3/4" : 29' 8"	-	F30'(i7248)	174 lb/ft	186 lb/ft	-	-
Uniform	15' 10 3/4" : 24' 7"	-	F30'(i7248)	107 lb/ft	-	-	140 lb/ft
Uniform	19' 3 3/4" : 24' 6"	-	F30'(i7248)	5 lb/ft	-	-	-
Uniform	24' 6" : 29' 8 1/4"	-	F30'(i7248)	3 lb/ft	8 lb/ft	-	-
Point	10 1/4" : -	-	M8-2(i7003)	2423 lb	2206 / -58 lb	-	1073 lb
Point	3' 11 1/2" : -	-	F30'(i7248)	130 lb	-	-	-
Point	4' 11" : -	-	F30'(i7248)	130 lb	-	-	-
Point	8' 2 1/2" : -	-	F30'(i7248)	130 lb	-	-	-



Member Report

Label: M2-2 | Design Tag: i7021

2 piece(s) of 1 3/4" x 9 1/4" 2.0E Microllam® LVL

Member Type: Beam | Level: 1st Floor

Product is Sufficient for Application and Loads Described

Design Passed

Point	9' 2" :-	-	F30'(i7248)	130 lb	-	-	-
Point	14' 5" :-	-	F30'(i7248)	1674 lb	1168 lb	-	983 lb
Point	27' 2" :-	-	F30'(i7248)	9 lb	-	-	-

Errors, Warnings, & Notes:

- * If sloping roof loads are applied to this member, the roof dead load has been adjusted for slope.
- * The member graphic, dimensions, and locations shown on this report are based on the centerline of the member.
- * Analysis and Design has been performed using precision loading from actual modeled conditions. Some loads may have been modified to simplify reporting.
- * Load Duration Factors: Dead - 0.90, Floor Live - 1.00, Roof Live - 1.25, Snow - 1.15

Weyerhaeuser warrants that the sizing of its products will be in accordance with Weyerhaeuser product design criteria and published design values. Weyerhaeuser expressly disclaims any other warranties related to the software. Refer to current literature for installation details and trademark information available at wy.com/woodproducts. Use of this software is not intended to circumvent the need for a design professional as determined by the authority having jurisdiction. The designer of record, builder or framer is responsible to assure that this calculation is compatible with the overall project. The product application, input design loads, dimensions and support information have been provided by _____ of _____.

Copyright Weyerhaeuser NR Company. All rights reserved.

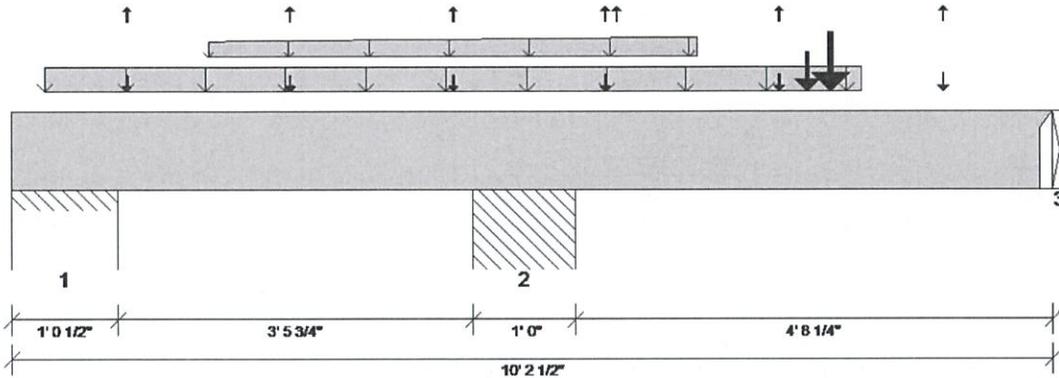


Member Report

Label: M8-2 | Design Tag: i7003

2 piece(s) of 1 3/4" x 9 1/4" 2.0E Microllam® LVL

Member Type: Beam | Level: 1st Floor

Design Passed
Product is Sufficient for Application and Loads Described


Building Code: IBC 2018

Design Methodology: ASD

Member Cut Length: 10' 2 1/2"

Member Drawing Not to Scale

Design Results:	Design @ Location	Allowed	Result	LDF	Load Combination - (Load Group)
Critical Reaction	5830 lb @ 10' 2 1/2"	5830 lb (2.22")	Passed - 100%	-	1.0 D + 0.75 L + 0.75 S - (1)
Shear	5457 lb @ 9' 5 1/4"	6151 lb	Passed - 89%	1.00	1.0 D + 1.0 L - (1)
Moment	10947 lb-ft @ 8' 0 7/16"	11204 lb-ft	Passed - 98%	1.00	1.0 D + 1.0 L - (1)
Live Load Deflection	0.08" @ 7' 9 11/16"	0.17" L/360	Passed - L/801	-	1.0 D + 0.75 L + 0.75 S - (1)
Total Load Deflection	0.15" @ 7' 9 11/16"	0.26" L/240	Passed - L/427	-	1.0 D + 0.75 L + 0.75 S - (1)

Design Notes:

- * Uplift constraint has been released at support location 11-00.
- * Top Edge Bracing (Lu): Top compression edge must be braced at 5-10-00 o/c based on loads applied, unless detailed otherwise.
- * Bottom Edge Bracing (Lu): Bottom compression edge must be braced at 10-03-00 o/c based on loads applied, unless detailed otherwise.
- * Allowed moment does not reflect the adjustment for the beam stability factor.
- * Upward deflection of removed support at 11-00 exceeds 00-00-02.

Supports:

Support	Start : End	Req'd Br'g	Source	Maximum Loads to Supports			
				Dead	Floor Live	Roof Live	Snow
1	-0" : 1' 0 1/2"	-	-	-305 lb	854 / -585 lb	-	-316 lb
++>	3 1/4" : -	1.5"	F7(i5)	-159 lb	444 / -304 lb	-	-164 lb
++>	9 1/2" : -	-	PBO21(i173)	-146 lb	410 / -281 lb	-	-152 lb
2	4' 6 1/4" : 5' 6 1/4"	3.14"	PBO16(i167)	4104 lb	4232 / -96 lb	-	1745 lb
3	10' 2 1/2" : -	2.22"	M2-2(i7021)	2423 lb	2206 / -58 lb	-	1073 lb

Loads:

Type	Start : End	Combine	Source	Maximum Loads on Member			
				Dead	Floor Live	Roof Live	Snow
Self Weight	-0" : 10' 2 1/2"	-	Self Weight	9 lb/ft	-	-	-
Uniform	4" : 8' 3 15/16"	-	Smoothed Load	-	196 lb/ft	-	-
Tapered	1' 11 3/16" : 6' 8 3/4"	-	Smoothed Load	13 To 95 lb/ft	-	-	-
Point	1' 1 5/8" : -	-	F28(i7086)	31 lb	218 / -66 lb	-	-
Point	1' 1 5/8" : -	-	F30(i7276)	175 lb	-42 lb	-	-
Point	2' 8 13/16" : -	-	F30(i7085)	-	234 / -55 lb	-	1 lb
Point	2' 8 13/16" : -	-	F30(i7268)	176 lb	-38 lb	-	-
Point	4' 4" : -	-	F32(i7084)	-	234 / -20 lb	-	19 lb
Point	4' 4" : -	-	F30(i7191)	166 lb	-25 lb	-	-
Point	5' 9 13/16" : -	-	F32(i7311)	92 lb	265 / -28 lb	-	-
Point	5' 11 3/16" : -	-	F30(i7229)	-	-42 lb	-	-
Point	7' 6 3/8" : -	-	F30(i7300)	72 lb	248 / -19 lb	-	1 lb
Point	7' 6 3/8" : -	-	F30(i7189)	154 lb	-42 lb	-	-
Point	7' 9 11/16" : -	-	FBk1(i7306)	1754 lb	715 lb	-	1223 lb

File Name: SR-319586

Olive Job

REVISION DATE

REVISION COMMENTS

NC

Javelin® Software 6.5.0.522

Design Engine: V8.1.7.10

Data: V8.0.2.0

10/25/2023 8:56:33 AM

Page 1 of 2



Member Report

Label: M8-2 | Design Tag: i7003

2 piece(s) of 1 3/4" x 9 1/4" 2.0E Microllam® LVL

Member Type: Beam | Level: 1st Floor

Product is Sufficient for Application and Loads Described

Design Passed

Point	8' 0 7/16" :-	-	FBk1(i7306)	2933 lb	2665 lb	-	1259 lb
Point	9' 1 9/16" :-	-	F24'(i7255)	234 lb	278 / -51 lb	-	-
Point	9' 1 9/16" :-	-	F30'(i7081)	86 lb	227 / -28 lb	-	-

Connector Information:

Nailing Requirements

Support	Manufacturer	Model	Top	Face	Member	Min. Seat Length	Other Information
3	SST	HHUS410	Not Applicable	30- 16d	10- 16d	2.22"	Minimum seat length reported is based on the design load

Errors, Warnings, & Notes:

- * If sloping roof loads are applied to this member, the roof dead load has been adjusted for slope.
- * The member graphic, dimensions, and locations shown on this report are based on the centerline of the member.
- * Analysis and Design has been performed using precision loading from actual modeled conditions. Some loads may have been modified to simplify reporting.
- * Load Duration Factors: Dead - 0.90, Floor Live - 1.00, Roof Live - 1.25, Snow - 1.15

Weyerhaeuser warrants that the sizing of its products will be in accordance with Weyerhaeuser product design criteria and published design values. Weyerhaeuser expressly disclaims any other warranties related to the software. Refer to current literature for installation details and trademark information available at wy.com/woodproducts. Use of this software is not intended to circumvent the need for a design professional as determined by the authority having jurisdiction. The designer of record, builder or framer is responsible to assure that this calculation is compatible with the overall project. The product application, input design loads, dimensions and support information have been provided by _____ of _____.

Copyright Weyerhaeuser NR Company. All rights reserved.

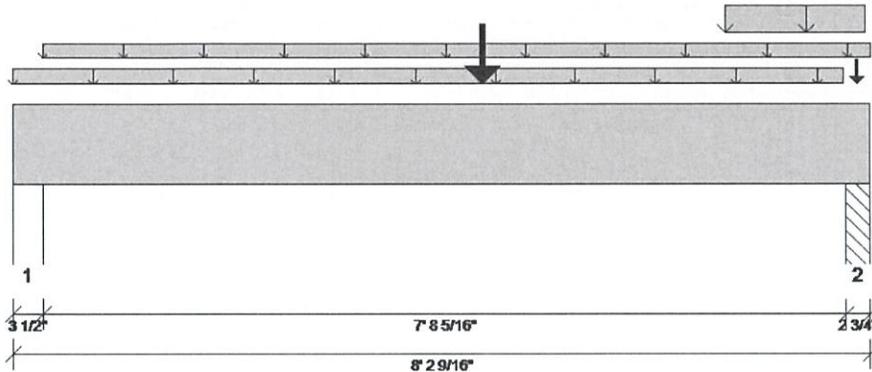


Member Report

Label: M8-2 | Design Tag: i7325
 2 piece(s) of 1 3/4" x 9 1/4" 2.0E Microllam® LVL
 Member Type: Beam | Level: 2nd Floor

Design Passed

Product is Sufficient for Application and Loads Described



Building Code: IBC 2018 Design Methodology: ASD Member Cut Length: 8' 2 9/16" Member Drawing Not to Scale

Design Results:	Design @ Location	Allowed	Result	LDF	Load Combination - (Load Group)
Critical Reaction	3089 lb @ 8' 1 5/16"	7219 lb (2.75")	Passed - 43%	-	1.0 D + 0.75 L + 0.75 S - (0)
Shear	1895 lb @ 7' 2 9/16"	7074 lb	Passed - 27%	1.15	1.0 D + 1.0 S - (0)
Moment	6658 lb-ft @ 4' 5 15/16"	12884 lb-ft	Passed - 52%	1.15	1.0 D + 1.0 S - (0)
Live Load Deflection	0.08" @ 4' 5 15/16"	0.26" L/360	Passed - L/999	-	1.0 D + 1.0 S - (0)
Total Load Deflection	0.16" @ 4' 5 15/16"	0.40" L/240	Passed - L/614	-	1.0 D + 1.0 S - (0)

Design Notes:

- * Top Edge Bracing (Lu): Top compression edge must be braced at 8-03-00 o/c based on loads applied, unless detailed otherwise.
- * Bottom Edge Bracing (Lu): Bottom compression edge must be braced at 8-03-00 o/c based on loads applied, unless detailed otherwise.
- * Allowed moment does not reflect the adjustment for the beam stability factor.

Supports:

Support	Start : End	Req'd Br'g	Source	Maximum Loads to Supports			
				Dead	Floor Live	Roof Live	Snow
1	0" : 3 1/2"	1.5"	E17(i54)	775 lb	58 lb	-	802 lb
2	7' 11 13/16" : 8' 2 9/16"	1.5"	PBO29(i225)	1633 lb	715 lb	-	1223 lb

Loads:

Type	Start : End	Combine	Source	Maximum Loads on Member			
				Dead	Floor Live	Roof Live	Snow
Self Weight	0" : 8' 2 9/16"	-	Self Weight	9 lb/ft	-	-	-
Uniform	0" : 7' 11 1/2"	-	User Load	7 lb/ft	14 lb/ft	-	-
Uniform	3 1/2" : 8' 2 9/16"	-	PLT43(i313)	2 lb/ft	-	-	-
Uniform	6' 10" : 8' 2"	-	PLT43(i313)	130 lb/ft	-	-	114 lb/ft
Point	4' 5 15/16" : -	-	PLT43(i313)	1517 lb	-	-	1737 lb
Point	8' 1" : -	-	PLT43(i313)	289 lb	331 lb	-	68 lb
Point	8' 1" : -	-	BBO3-2(i7260)	289 lb	331 lb	-	68 lb

Errors, Warnings, & Notes:

- * If sloping roof loads are applied to this member, the roof dead load has been adjusted for slope.
- * The member graphic, dimensions, and locations shown on this report are based on the centerline of the member.
- * Analysis and Design has been performed using precision loading from actual modeled conditions. Some loads may have been modified to simplify reporting.



Member Report

Label: M8-2 | Design Tag: i7325

2 piece(s) of 1 3/4" x 9 1/4" 2.0E Microllam® LVL

Member Type: Beam | Level: 2nd Floor

Product is Sufficient for Application and Loads Described

Design Passed

* Load Duration Factors: Dead - 0.90, Floor Live - 1.00, Roof Live - 1.25, Snow - 1.15

Weyerhaeuser warrants that the sizing of its products will be in accordance with Weyerhaeuser product design criteria and published design values. Weyerhaeuser expressly disclaims any other warranties related to the software. Refer to current literature for installation details and trademark information available at wy.com/woodproducts. Use of this software is not intended to circumvent the need for a design professional as determined by the authority having jurisdiction. The designer of record, builder or framer is responsible to assure that this calculation is compatible with the overall project. The product application, input design loads, dimensions and support information have been provided by _____ of _____.

Copyright Weyerhaeuser NR Company. All rights reserved.

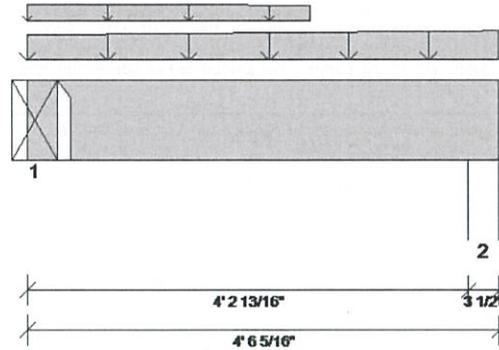


Design Passed

Member Report

Label: M9-2 | Design Tag: i7321
 2 piece(s) of 1 3/4" x 9 1/4" 2.0E Microllam® LVL
 Member Type: Beam | Level: 2nd Floor

Product is Sufficient for Application and Loads Described



Building Code: IBC 2018 Design Methodology: ASD Member Cut Length: 4' 8 1/16" Member Drawing Not to Scale

Design Results:	Design @ Location	Allowed	Result	LDF	Load Combination - (Load Group)
Critical Reaction	544 lb @ 0"	3938 lb (1.5")	Passed - 14%	-	1.0 D + 1.0 S - (0)
Shear	364 lb @ 9 1/4"	7074 lb	Passed - 5%	1.15	1.0 D + 1.0 S - (0)
Moment	618 lb-ft @ 2' 2 5/8"	12884 lb-ft	Passed - 5%	1.15	1.0 D + 1.0 S - (0)
Live Load Deflection	0.00" @ 2' 2 3/16"	0.15" L/360	Passed - L/999	-	1.0 D + 1.0 S - (0)
Total Load Deflection	0.01" @ 2' 2 1/8"	0.22" L/240	Passed - L/999	-	1.0 D + 1.0 S - (0)

Design Notes:

- * Top Edge Bracing (Lu): Top compression edge must be braced at 4-06-00 o/c based on loads applied, unless detailed otherwise.
- * Bottom Edge Bracing (Lu): Bottom compression edge must be braced at 4-06-00 o/c based on loads applied, unless detailed otherwise.
- * Allowed moment does not reflect the adjustment for the beam stability factor.

Supports:

Support	Start : End	Req'd Br'g	Source	Maximum Loads to Supports			
				Dead	Floor Live	Roof Live	Snow
1	0" : 3 1/2"	1.5"	M8-2(i7240)	398 lb	33 lb	-	201 lb
2	4' 2 13/16" : 4' 6 5/16"	1.5"	B14(i193)	392 lb	10 lb	-	227 lb

Loads:

Type	Start : End	Combine	Source	Maximum Loads on Member			
				Dead	Floor Live	Roof Live	Snow
Self Weight	0" : 4' 6 5/16"	-	Self Weight	9 lb/ft	-	-	-
Tapered	0" : 4' 6 5/16"	-	E35(i133)	138 To 173 lb/ft	-	-	68 To 115 lb/ft
Tapered	0" : 2' 8 1/2"	-	User Load	12 To 4 lb/ft	23 To 8 lb/ft	-	-

Connector Information:

Support	Manufacturer	Model	Nailing Requirements				Min. Seat Length	Other Information
			Top	Face	Member			
1	SST	SUL410	Not Applicable	14- 10d	6- 10d	1.5"	Minimum seat length reported is based on the design load Skew Left 45 Degrees	

Errors, Warnings, & Notes:

- * If sloping roof loads are applied to this member, the roof dead load has been adjusted for slope.
- * The member graphic, dimensions, and locations shown on this report are based on the centerline of the member.



Member Report

Label: M9-2 | Design Tag: i7321

2 piece(s) of 1 3/4" x 9 1/4" 2.0E Microllam® LVL

Member Type: Beam | Level: 2nd Floor

Product is Sufficient for Application and Loads Described

Design Passed

* Analysis and Design has been performed using precision loading from actual modeled conditions. Some loads may have been modified to simplify reporting.

* Load Duration Factors: Dead - 0.90, Floor Live - 1.00, Roof Live - 1.25, Snow - 1.15

Weyerhaeuser warrants that the sizing of its products will be in accordance with Weyerhaeuser product design criteria and published design values. Weyerhaeuser expressly disclaims any other warranties related to the software. Refer to current literature for installation details and trademark information available at wy.com/woodproducts. Use of this software is not intended to circumvent the need for a design professional as determined by the authority having jurisdiction. The designer of record, builder or framer is responsible to assure that this calculation is compatible with the overall project. The product application, input design loads, dimensions and support information have been provided by _____ of _____.

Copyright Weyerhaeuser NR Company. All rights reserved.

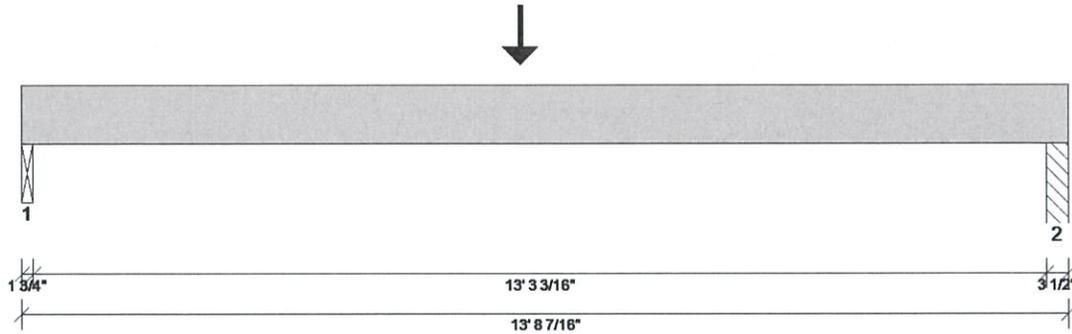


Design Passed

Member Report

 Label: M7-2 | Design Tag: i7314
 2 piece(s) of 1 3/4" x 9 1/4" 2.0E MicroIam® LVL
 Member Type: Beam | Level: 2nd Floor

Product is Sufficient for Application and Loads Described



Building Code: IBC 2018

Design Methodology: ASD

Member Cut Length: 13' 8 7/16"

Member Drawing Not to Scale

Design Results:	Design @ Location	Allowed	Result	LDF	Load Combination - (Load Group)
Critical Reaction	870 lb @ 1/4"	4594 lb (1.75")	Passed - 19%	-	1.0 D + 1.0 S - (0)
Shear	861 lb @ 11"	7074 lb	Passed - 12%	1.15	1.0 D + 1.0 S - (0)
Moment	5449 lb-ft @ 6' 6 3/16"	12884 lb-ft	Passed - 42%	1.15	1.0 D + 1.0 S - (0)
Live Load Deflection	0.17" @ 6' 6 3/16"	0.45" L/360	Passed - L/982	-	1.0 D + 1.0 S - (0)
Total Load Deflection	0.33" @ 6' 6 3/16"	0.68" L/240	Passed - L/488	-	1.0 D + 1.0 S - (0)

Design Notes:

- * Top Edge Bracing (Lu): Top compression edge must be braced at 13-08-00 o/c based on loads applied, unless detailed otherwise.
- * Bottom Edge Bracing (Lu): Bottom compression edge must be braced at 13-08-00 o/c based on loads applied, unless detailed otherwise.
- * Allowed moment does not reflect the adjustment for the beam stability factor.

Supports:

Support	Start : End	Req'd Br'g	Source	Maximum Loads to Supports			
				Dead	Floor Live	Roof Live	Snow
1	0" : 1 3/4"	1.5"	M1-2(i7059)	445 lb	-	-	420 lb
2	13' 4 15/16" : 13' 8 7/16"	1.5"	PBO40(i1544)	419 lb	-	-	390 lb

Loads:

Type	Start : End	Combine	Source	Maximum Loads on Member			
				Dead	Floor Live	Roof Live	Snow
Self Weight	0" : 13' 8 7/16"	-	Self Weight	9 lb/ft	-	-	-
Point	6' 6 3/16" : -	-	St3(i319)	741 lb	-	-	810 lb

Errors, Warnings, & Notes:

- * If sloping roof loads are applied to this member, the roof dead load has been adjusted for slope.
- * The member graphic, dimensions, and locations shown on this report are based on the centerline of the member.
- * Analysis and Design has been performed using precision loading from actual modeled conditions. Some loads may have been modified to simplify reporting.
- * Load Duration Factors: Dead - 0.90, Floor Live - 1.00, Roof Live - 1.25, Snow - 1.15



Member Report

Label: M7-2 | Design Tag: i7314

2 piece(s) of 1 3/4" x 9 1/4" 2.0E Microllam® LVL

Member Type: Beam | Level: 2nd Floor

Product is Sufficient for Application and Loads Described

Design Passed

Weyerhaeuser warrants that the sizing of its products will be in accordance with Weyerhaeuser product design criteria and published design values. Weyerhaeuser expressly disclaims any other warranties related to the software. Refer to current literature for installation details and trademark information available at wy.com/woodproducts. Use of this software is not intended to circumvent the need for a design professional as determined by the authority having jurisdiction. The designer of record, builder or framer is responsible to assure that this calculation is compatible with the overall project. The product application, input design loads, dimensions and support information have been provided by _____ of _____.

Copyright Weyerhaeuser NR Company. All rights reserved.



Member Report

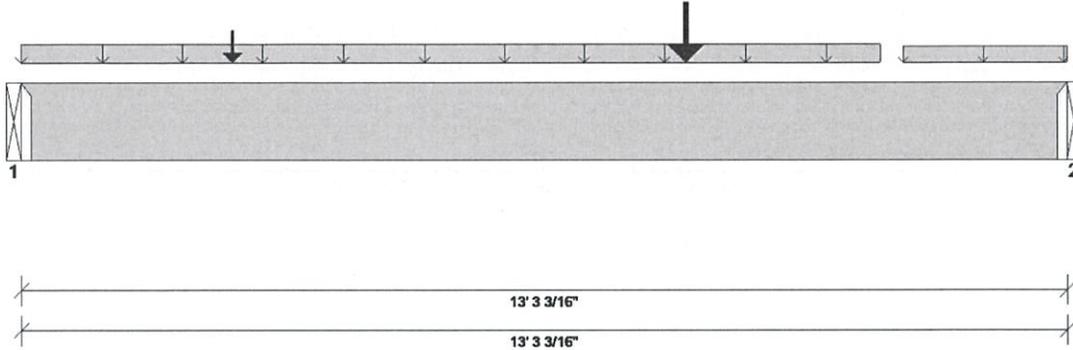
Label: M6-2 | Design Tag: i7313

2 piece(s) of 1 3/4" x 11 7/8" 2.0E Microllam® LVL

Member Type: Beam | Level: 2nd Floor

Design Passed

Product is Sufficient for Application and Loads Described



Building Code: IBC 2018 Design Methodology: ASD Member Cut Length: 13' 3 3/16" Member Drawing Not to Scale

Design Results:	Design @ Location	Allowed	Result	LDF	Load Combination - (Load Group)
Critical Reaction	1989 lb @ 13' 3 3/16"	3938 lb (1.5")	Passed - 51%	-	1.0 D + 1.0 S - (0)
Shear	1968 lb @ 12' 3 5/16"	9081 lb	Passed - 22%	1.15	1.0 D + 1.0 S - (0)
Moment	9334 lb-ft @ 8' 5 1/4"	20525 lb-ft	Passed - 45%	1.15	1.0 D + 1.0 S - (0)
Live Load Deflection	0.14" @ 6' 11"	0.44" L/360	Passed - L/999	-	1.0 D + 1.0 S - (0)
Total Load Deflection	0.29" @ 6' 10 3/8"	0.66" L/240	Passed - L/552	-	1.0 D + 1.0 S - (0)

Design Notes:

- * Top Edge Bracing (Lu): Top compression edge must be braced at 13-03-00 o/c based on loads applied, unless detailed otherwise.
- * Bottom Edge Bracing (Lu): Bottom compression edge must be braced at 13-03-00 o/c based on loads applied, unless detailed otherwise.
- * Allowed moment does not reflect the adjustment for the beam stability factor.

Supports:

Support	Start : End	Req'd Br'g	Source	Maximum Loads to Supports			
				Dead	Floor Live	Roof Live	Snow
1	0" : -	1.5"	M1-2(i7059)	1052 lb	277 lb	-	837 lb
2	13' 3 3/16" : -	1.5"	M4-2(i7285)	1047 lb	226 lb	-	938 lb

Loads:

Type	Start : End	Combine	Source	Maximum Loads on Member			
				Dead	Floor Live	Roof Live	Snow
Self Weight	0" : 13' 3 3/16"	-	Self Weight	11 lb/ft	-	-	-
Uniform	0" : 10' 10 3/4"	-	User Load	21 lb/ft	43 lb/ft	-	-
Uniform	11' 2 1/4" : 13' 3"	-	User Load	9 lb/ft	17 lb/ft	-	-
Point	2' 8 1/4" : -	-	BBO6-2(i7036)	507 lb	-	-	440 lb
Point	8' 5 1/4" : -	-	BBO6-2(i6983)	1188 lb	-	-	1335 lb

Connector Information:

Support	Manufacturer	Model	Nailing Requirements			Min. Seat Length	Other Information
			Top	Face	Member		
1	SST	HU412	Not Applicable	22- 10dx1.5	10- 10d	1.5"	Minimum seat length reported is based on the design load
2	SST	HU412	Not Applicable	22- 10dx1.5	10- 10d	1.5"	Minimum seat length reported is based on the design load

Errors, Warnings, & Notes:



Member Report

Label: M6-2 | Design Tag: i7313

2 piece(s) of 1 3/4" x 11 7/8" 2.0E Microllam® LVL

Member Type: Beam | Level: 2nd Floor

Product is Sufficient for Application and Loads Described

Design Passed

- * If sloping roof loads are applied to this member, the roof dead load has been adjusted for slope.
- * The member graphic, dimensions, and locations shown on this report are based on the centerline of the member.
- * Analysis and Design has been performed using precision loading from actual modeled conditions. Some loads may have been modified to simplify reporting.
- * Load Duration Factors: Dead - 0.90, Floor Live - 1.00, Roof Live - 1.25, Snow - 1.15

Weyerhaeuser warrants that the sizing of its products will be in accordance with Weyerhaeuser product design criteria and published design values. Weyerhaeuser expressly disclaims any other warranties related to the software. Refer to current literature for installation details and trademark information available at wy.com/woodproducts. Use of this software is not intended to circumvent the need for a design professional as determined by the authority having jurisdiction. The designer of record, builder or framer is responsible to assure that this calculation is compatible with the overall project. The product application, input design loads, dimensions and support information have been provided by _____ of _____.

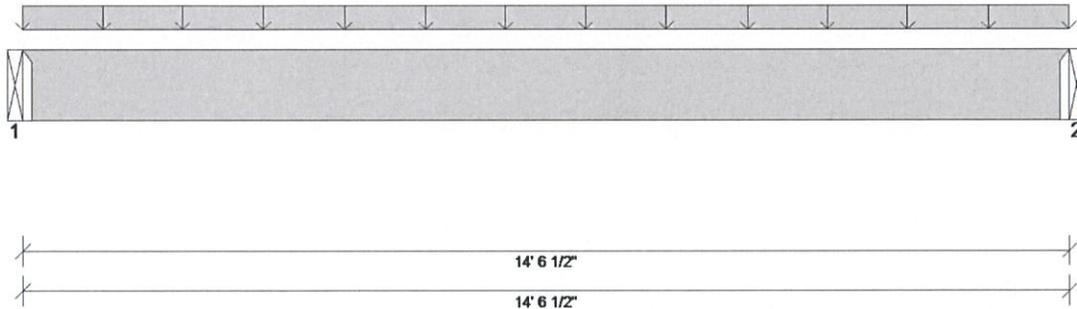
Copyright Weyerhaeuser NR Company. All rights reserved.



Design Passed

Member Report
 Label: M5-2 | Design Tag: i7299
 2 piece(s) of 1 3/4" x 11 7/8" 2.0E Microllam® LVL
 Member Type: Beam | Level: 2nd Floor

Product is Sufficient for Application and Loads Described



Building Code: IBC 2018 Design Methodology: ASD Member Cut Length: 14' 6 1/2" Member Drawing Not to Scale

Design Results:	Design @ Location	Allowed	Result	LDf	Load Combination - (Load Group)
Critical Reaction	1402 lb @ 0"	3938 lb (1.5")	Passed - 36%	-	1.0 D + 1.0 L - (0)
Shear	1211 lb @ 11 7/8"	7897 lb	Passed - 15%	1.00	1.0 D + 1.0 L - (0)
Moment	5097 lb-ft @ 7' 3 1/4"	17848 lb-ft	Passed - 29%	1.00	1.0 D + 1.0 L - (0)
Live Load Deflection	0.13" @ 7' 3 1/4"	0.48" L/360	Passed - L/999	-	1.0 D + 1.0 L - (0)
Total Load Deflection	0.21" @ 7' 3 1/4"	0.73" L/240	Passed - L/820	-	1.0 D + 1.0 L - (0)

Design Notes:

- * Top Edge Bracing (Lu): Top compression edge must be braced at 14-07-00 o/c based on loads applied, unless detailed otherwise.
- * Bottom Edge Bracing (Lu): Bottom compression edge must be braced at 14-07-00 o/c based on loads applied, unless detailed otherwise.
- * Allowed moment does not reflect the adjustment for the beam stability factor.

Supports:

Support	Start : End	Req'd Br'g	Source	Maximum Loads to Supports			
				Dead	Floor Live	Roof Live	Snow
1	0" : 0"	1.5"	BBO2-2(i7035)	521 lb	876 lb	-	-
2	14' 6 1/2" : -	1.5"	BBO2-2(i6995)	521 lb	876 lb	-	-

Loads:

Type	Start : End	Combine	Source	Maximum Loads on Member			
				Dead	Floor Live	Roof Live	Snow
Self Weight	0" : 14' 6 1/2"	-	Self Weight	11 lb/ft	-	-	-
Uniform	-0" : 14' 6 1/2"	-	User Load	60 lb/ft	120 lb/ft	-	-

Connector Information:

Support	Manufacturer	Model	Nailing Requirements			Min. Seat Length	Other Information
			Top	Face	Member		
1	SST	HU412	Not Applicable	16- 10dx1.5	6- 10d	1.5"	Minimum seat length reported is based on the design load
2	SST	HU412	Not Applicable	16- 10dx1.5	6- 10d	1.5"	Minimum seat length reported is based on the design load

Errors, Warnings, & Notes:

- * If sloping roof loads are applied to this member, the roof dead load has been adjusted for slope.
- * The member graphic, dimensions, and locations shown on this report are based on the centerline of the member.
- * Analysis and Design has been performed using precision loading from actual modeled conditions. Some loads may have been modified to simplify reporting.



Member Report

Label: M5-2 | Design Tag: i7299

2 piece(s) of 1 3/4" x 11 7/8" 2.0E Microllam® LVL

Member Type: Beam | Level: 2nd Floor

Product is Sufficient for Application and Loads Described

Design Passed

* Load Duration Factors: Dead - 0.90, Floor Live - 1.00, Roof Live - 1.25, Snow - 1.15

Weyerhaeuser warrants that the sizing of its products will be in accordance with Weyerhaeuser product design criteria and published design values. Weyerhaeuser expressly disclaims any other warranties related to the software. Refer to current literature for installation details and trademark information available at wy.com/woodproducts. Use of this software is not intended to circumvent the need for a design professional as determined by the authority having jurisdiction. The designer of record, builder or framer is responsible to assure that this calculation is compatible with the overall project. The product application, input design loads, dimensions and support information have been provided by _____ of _____.

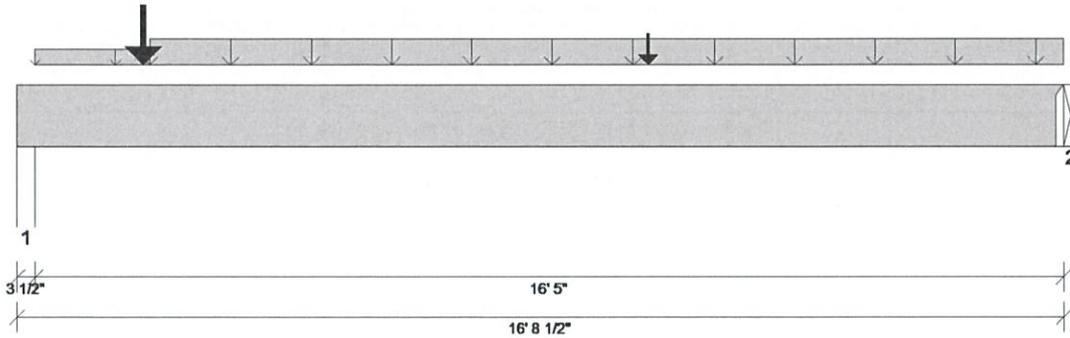
Copyright Weyerhaeuser NR Company. All rights reserved.



Design Passed

Member Report
 Label: M4-2 | Design Tag: i7285
 2 piece(s) of 1 3/4" x 11 7/8" 2.0E Microllam® LVL
 Member Type: Beam | Level: 2nd Floor

Product is Sufficient for Application and Loads Described



Building Code: IBC 2018 Design Methodology: ASD Member Cut Length: 16' 8 1/2" Member Drawing Not to Scale

Design Results:	Design @ Location	Allowed	Result	LDF	Load Combination - (Load Group)
Critical Reaction	3304 lb @ 2"	5206 lb (3.5")	Passed - 63%	-	1.0 D + 0.75 L + 0.75 S - (0)
Shear	3274 lb @ 1' 3 3/8"	9081 lb	Passed - 36%	1.15	1.0 D + 0.75 L + 0.75 S - (0)
Moment	10371 lb-ft @ 8' 7 13/16"	17848 lb-ft	Passed - 58%	1.00	1.0 D + 1.0 L - (0)
Live Load Deflection	0.29" @ 8' 4 1/4"	0.55" L/360	Passed - L/674	-	1.0 D + 0.75 L + 0.75 S - (0)
Total Load Deflection	0.58" @ 8' 4 1/8"	0.83" L/240	Passed - L/344	-	1.0 D + 0.75 L + 0.75 S - (0)

Design Notes:

- * Top Edge Bracing (Lu): Top compression edge must be braced at 13-08-00 o/c based on loads applied, unless detailed otherwise.
- * Bottom Edge Bracing (Lu): Bottom compression edge must be braced at 16-08-00 o/c based on loads applied, unless detailed otherwise.
- * Allowed moment does not reflect the adjustment for the beam stability factor.

Supports:

Support	Start : End	Req'd Br'g	Source	Maximum Loads to Supports			
				Dead	Floor Live	Roof Live	Snow
1	0" : 3 1/2"	2.22"	B19(i208)	1674 lb	1168 lb	-	983 lb
2	16' 8 1/2" : -	1.5"	BBO1-2(i7046)	1074 lb	1231 lb	-	345 lb

Loads:

Type	Start : End	Combine	Source	Maximum Loads on Member			
				Dead	Floor Live	Roof Live	Snow
Self Weight	0" : 16' 8 1/2"	-	Self Weight	11 lb/ft	-	-	-
Uniform	3 1/2" : 2' 1 1/2"	-	User Load	6 lb/ft	12 lb/ft	-	-
Uniform	2' 1 1/2" : 16' 8 1/2"	-	User Load	74 lb/ft	147 lb/ft	-	-
Point	2' 0 1/4" : -	-	M6-2(i7313)	1047 lb	226 lb	-	938 lb
Point	10' 0 7/8" : -	-	PBO40(i1544)	422 lb	-	-	390 lb

Connector Information:

Support	Manufacturer	Model	Nailing Requirements			Min. Seat Length	Other Information
			Top	Face	Member		
2	SST	HU412	Not Applicable	22- 10d	10- 10d	1.5"	Minimum seat length reported is based on the design load

Errors, Warnings, & Notes:

- * If sloping roof loads are applied to this member, the roof dead load has been adjusted for slope.
- * The member graphic, dimensions, and locations shown on this report are based on the centerline of the member.



Member Report

Label: M4-2 | Design Tag: i7285

2 piece(s) of 1 3/4" x 11 7/8" 2.0E Microllam® LVL

Member Type: Beam | Level: 2nd Floor

Product is Sufficient for Application and Loads Described

Design Passed

* Analysis and Design has been performed using precision loading from actual modeled conditions. Some loads may have been modified to simplify reporting.

* Load Duration Factors: Dead - 0.90, Floor Live - 1.00, Roof Live - 1.25, Snow - 1.15

Weyerhaeuser warrants that the sizing of its products will be in accordance with Weyerhaeuser product design criteria and published design values. Weyerhaeuser expressly disclaims any other warranties related to the software. Refer to current literature for installation details and trademark information available at wy.com/woodproducts. Use of this software is not intended to circumvent the need for a design professional as determined by the authority having jurisdiction. The designer of record, builder or framer is responsible to assure that this calculation is compatible with the overall project. The product application, input design loads, dimensions and support information have been provided by _____ of _____.

Copyright Weyerhaeuser NR Company. All rights reserved.

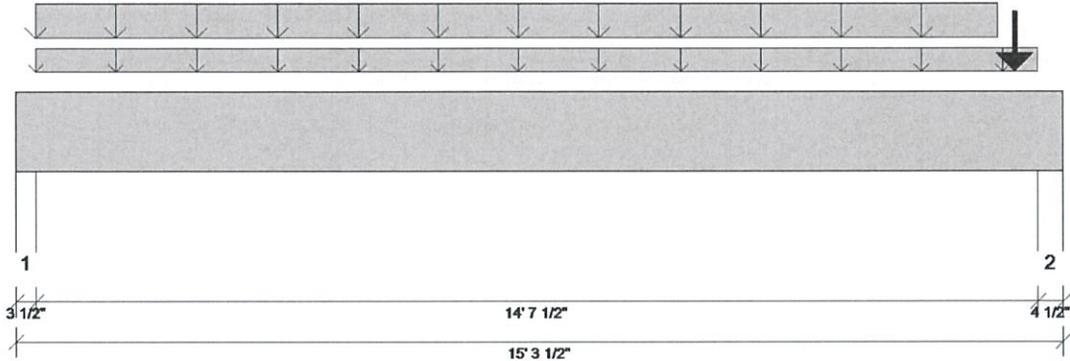


Design Passed

Member Report

 Label: M3-2 | Design Tag: i7254
 2 piece(s) of 1 3/4" x 14" 2.0E Microllam® LVL
 Member Type: Beam | Level: 2nd Floor

Product is Sufficient for Application and Loads Described



Building Code: IBC 2018 Design Methodology: ASD Member Cut Length: 15' 3 1/2" Member Drawing Not to Scale

Design Results:	Design @ Location	Allowed	Result	LDF	Load Combination - (Load Group)
Critical Reaction	6096 lb @ 15' 0 1/2"	6694 lb (4.5")	Passed - 91%	-	1.0 D + 1.0 S - (0)
Shear	4054 lb @ 13' 9"	10707 lb	Passed - 38%	1.15	1.0 D + 1.0 S - (0)
Moment	16131 lb-ft @ 7' 8 9/16"	27897 lb-ft	Passed - 58%	1.15	1.0 D + 1.0 S - (0)
Live Load Deflection	0.25" @ 7' 7 11/16"	0.50" L/360	Passed - L/728	-	1.0 D + 1.0 S - (0)
Total Load Deflection	0.44" @ 7' 7 11/16"	0.74" L/240	Passed - L/404	-	1.0 D + 1.0 S - (0)

Design Notes:

- * Top Edge Bracing (Lu): Top compression edge must be braced at 9-07-00 o/c based on loads applied, unless detailed otherwise.
- * Bottom Edge Bracing (Lu): Bottom compression edge must be braced at 15-04-00 o/c based on loads applied, unless detailed otherwise.
- * Allowed moment does not reflect the adjustment for the beam stability factor.

Supports:

Support	Start : End	Req'd Br'g	Source	Maximum Loads to Supports			
				Dead	Floor Live	Roof Live	Snow
1	0" : 3 1/2"	2.83"	B2(i111)	1863 lb	-	-	2328 lb
2	14' 11" : 15' 3 1/2"	4.1"	E7(i52)	2741 lb	-	-	3361 lb

Loads:

Type	Start : End	Combine	Source	Maximum Loads on Member			
				Dead	Floor Live	Roof Live	Snow
Self Weight	0" : 15' 3 1/2"	-	Self Weight	14 lb/ft	-	-	-
Uniform	3 1/2" : 14' 11"	-	PLT37(i307)	74 lb/ft	-	-	97 lb/ft
Uniform	3 1/2" : 14' 4"	-	PLT37(i307)	163 lb/ft	-	-	218 lb/ft
Point	14' 7" : -	-	PLT37(i307)	1019 lb	-	-	1213 lb

Errors, Warnings, & Notes:

- * If sloping roof loads are applied to this member, the roof dead load has been adjusted for slope.
- * The member graphic, dimensions, and locations shown on this report are based on the centerline of the member.
- * Analysis and Design has been performed using precision loading from actual modeled conditions. Some loads may have been modified to simplify reporting.
- * Load Duration Factors: Dead - 0.90, Floor Live - 1.00, Roof Live - 1.25, Snow - 1.15



Member Report

Label: M3-2 | Design Tag: i7254

2 piece(s) of 1 3/4" x 14" 2.0E Microllam® LVL

Member Type: Beam | Level: 2nd Floor

Product is Sufficient for Application and Loads Described

Design Passed

Weyerhaeuser warrants that the sizing of its products will be in accordance with Weyerhaeuser product design criteria and published design values. Weyerhaeuser expressly disclaims any other warranties related to the software. Refer to current literature for installation details and trademark information available at wy.com/woodproducts. Use of this software is not intended to circumvent the need for a design professional as determined by the authority having jurisdiction. The designer of record, builder or framer is responsible to assure that this calculation is compatible with the overall project. The product application, input design loads, dimensions and support information have been provided by _____ of _____.

Copyright Weyerhaeuser NR Company. All rights reserved.

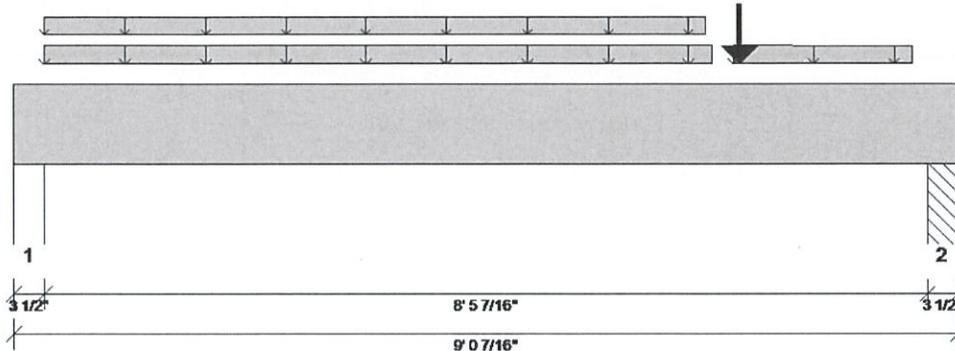


Design Passed

Member Report

 Label: M8-2 | Design Tag: i7240
 2 piece(s) of 1 3/4" x 9 1/4" 2.0E Microllam® LVL
 Member Type: Beam | Level: 2nd Floor

Product is Sufficient for Application and Loads Described



Building Code: IBC 2018 Design Methodology: ASD Member Cut Length: 9' 0 7/16" Member Drawing Not to Scale

Design Results:	Design @ Location	Allowed	Result	LDF	Load Combination - (Load Group)
Critical Reaction	675 lb @ 2"	5206 lb (3.5")	Passed - 13%	-	1.0 D + 1.0 L - (0)
Shear	743 lb @ 7' 11 11/16"	6151 lb	Passed - 12%	1.00	1.0 D + 1.0 L - (0)
Moment	1672 lb-ft @ 5' 0 3/16"	11204 lb-ft	Passed - 15%	1.00	1.0 D + 1.0 L - (0)
Live Load Deflection	0.01" @ 4' 9 1/8"	0.29" L/360	Passed - L/999	-	1.0 D + 0.75 L + 0.75 S - (0)
Total Load Deflection	0.06" @ 4' 7 13/16"	0.44" L/240	Passed - L/999	-	1.0 D + 0.75 L + 0.75 S - (0)

Design Notes:

- * Top Edge Bracing (Lu): Top compression edge must be braced at 9-00-00 o/c based on loads applied, unless detailed otherwise.
- * Bottom Edge Bracing (Lu): Bottom compression edge must be braced at 9-00-00 o/c based on loads applied, unless detailed otherwise.
- * Allowed moment does not reflect the adjustment for the beam stability factor.

Supports:

Support	Start : End	Req'd Br'g	Source	Maximum Loads to Supports			
				Dead	Floor Live	Roof Live	Snow
1	0" : 3 1/2"	1.5"	B1(i68)	535 lb	136 lb	-	46 lb
2	8' 8 15/16" : 9' 0 7/16"	1.5"	PBO28(i224)	620 lb	176 lb	-	155 lb

Loads:

Type	Start : End	Combine	Source	Maximum Loads on Member			
				Dead	Floor Live	Roof Live	Snow
Self Weight	0" : 9' 0 7/16"	-	Self Weight	9 lb/ft	-	-	-
Uniform	3 1/2" : 6' 8 1/4"	-	E34(i137)	87 lb/ft	-	-	-
Uniform	3 1/2" : 6' 7 1/2"	-	User Load	15 lb/ft	30 lb/ft	-	-
Tapered	6' 10 11/16" : 8' 7"	-	User Load	15 To 11 lb/ft	61 To 44 lb/ft	-	-
Point	6' 11 3/8" : -	-	M9-2(i7321)	398 lb	33 lb	-	201 lb

Errors, Warnings, & Notes:

- * If sloping roof loads are applied to this member, the roof dead load has been adjusted for slope.
- * The member graphic, dimensions, and locations shown on this report are based on the centerline of the member.
- * Analysis and Design has been performed using precision loading from actual modeled conditions. Some loads may have been modified to simplify reporting.
- * Load Duration Factors: Dead - 0.90, Floor Live - 1.00, Roof Live - 1.25, Snow - 1.15



Member Report

Label: M8-2 | Design Tag: i7240

2 piece(s) of 1 3/4" x 9 1/4" 2.0E Microllam® LVL

Member Type: Beam | Level: 2nd Floor

Product is Sufficient for Application and Loads Described

Design Passed

Weyerhaeuser warrants that the sizing of its products will be in accordance with Weyerhaeuser product design criteria and published design values. Weyerhaeuser expressly disclaims any other warranties related to the software. Refer to current literature for installation details and trademark information available at wy.com/woodproducts. Use of this software is not intended to circumvent the need for a design professional as determined by the authority having jurisdiction. The designer of record, builder or framer is responsible to assure that this calculation is compatible with the overall project. The product application, input design loads, dimensions and support information have been provided by _____ of _____.

Copyright Weyerhaeuser NR Company. All rights reserved.

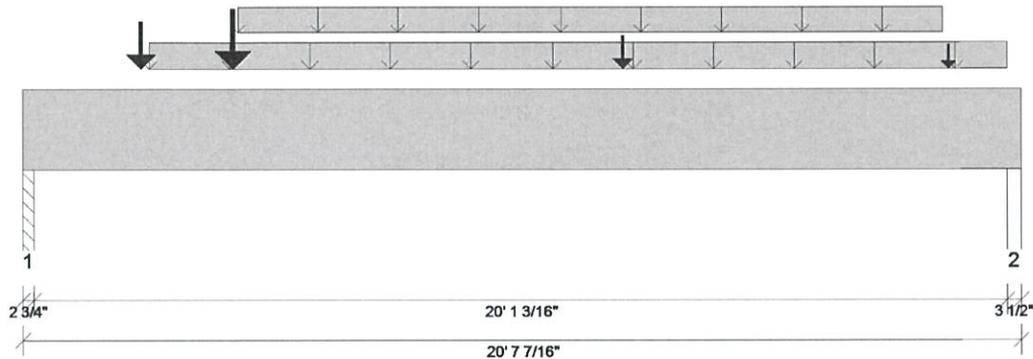


Design Passed

Member Report

 Label: M1-2 | Design Tag: i7059
 2 piece(s) of 1 3/4" x 20" 2.0E Microllam® LVL
 Member Type: Beam | Level: 2nd Floor

Product is Sufficient for Application and Loads Described



Building Code: IBC 2018 Design Methodology: ASD Member Cut Length: 20' 7 7/16" Member Drawing Not to Scale

Design Results:	Design @ Location	Allowed	Result	LDF	Load Combination - (Load Group)
Critical Reaction	5795 lb @ 1 1/4"	7219 lb (2.75")	Passed - 80%	-	1.0 D + 0.75 L + 0.75 S - (0)
Shear	5474 lb @ 1' 10 3/4"	13300 lb	Passed - 41%	1.00	1.0 D + 1.0 L - (0)
Moment	28288 lb-ft @ 10' 1 3/8"	47163 lb-ft	Passed - 60%	1.00	1.0 D + 1.0 L - (0)
Live Load Deflection	0.27" @ 10' 3 1/4"	0.68" L/360	Passed - L/905	-	1.0 D + 1.0 L - (0)
Total Load Deflection	0.50" @ 10' 2 5/16"	1.02" L/240	Passed - L/485	-	1.0 D + 1.0 L - (0)

Design Notes:

- * Top Edge Bracing (Lu): Top compression edge must be braced at 7-02-00 o/c based on loads applied, unless detailed otherwise.
- * Bottom Edge Bracing (Lu): Bottom compression edge must be braced at 20-07-00 o/c based on loads applied, unless detailed otherwise.
- * Allowed moment does not reflect the adjustment for the beam stability factor.

Supports:

Support	Start : End	Req'd Br'g	Source	Maximum Loads to Supports			
				Dead	Floor Live	Roof Live	Snow
1	0" : 2 3/4"	2.21"	PBO41(i1605)	2815 lb	2665 lb	-	1259 lb
2	20' 3 15/16" : 20' 7 7/16"	2"	E7(i52)	2290 lb	2959 lb	-	519 lb

Loads:

Type	Start : End	Combine	Source	Maximum Loads on Member			
				Dead	Floor Live	Roof Live	Snow
Self Weight	0" : 20' 7 7/16"	-	Self Weight	19 lb/ft	-	-	-
Uniform	2' 6 15/16" : 20' 3	-	User Load	78 lb/ft	156 lb/ft	-	-
Uniform	4' 4 15/16" : 18' 11	-	User Load	67 lb/ft	134 lb/ft	-	-
Point	2' 4 15/16" : -	-	BBO5-2(i7225)	644 lb	422 lb	-	490 lb
Point	4' 3 11/16" : -	-	M6-2(i7313)	1052 lb	277 lb	-	837 lb
Point	12' 4 5/16" : -	-	M7-2(i7314)	445 lb	-	-	420 lb
Point	19' 1 7/16" : -	-	BBO1-2(i7046)	203 lb	199 lb	-	31 lb

Errors, Warnings, & Notes:

- * If sloping roof loads are applied to this member, the roof dead load has been adjusted for slope.
- * The member graphic, dimensions, and locations shown on this report are based on the centerline of the member.
- * Analysis and Design has been performed using precision loading from actual modeled conditions. Some loads may have been modified to simplify reporting.



Member Report

Label: M1-2 | Design Tag: i7059

2 piece(s) of 1 3/4" x 20" 2.0E Microllam® LVL

Member Type: Beam | Level: 2nd Floor

Product is Sufficient for Application and Loads Described

Design Passed

* Load Duration Factors: Dead - 0.90, Floor Live - 1.00, Roof Live - 1.25, Snow - 1.15

Weyerhaeuser warrants that the sizing of its products will be in accordance with Weyerhaeuser product design criteria and published design values. Weyerhaeuser expressly disclaims any other warranties related to the software. Refer to current literature for installation details and trademark information available at wy.com/woodproducts. Use of this software is not intended to circumvent the need for a design professional as determined by the authority having jurisdiction. The designer of record, builder or framer is responsible to assure that this calculation is compatible with the overall project. The product application, input design loads, dimensions and support information have been provided by _____ of _____.

Copyright Weyerhaeuser NR Company. All rights reserved.



Member Report

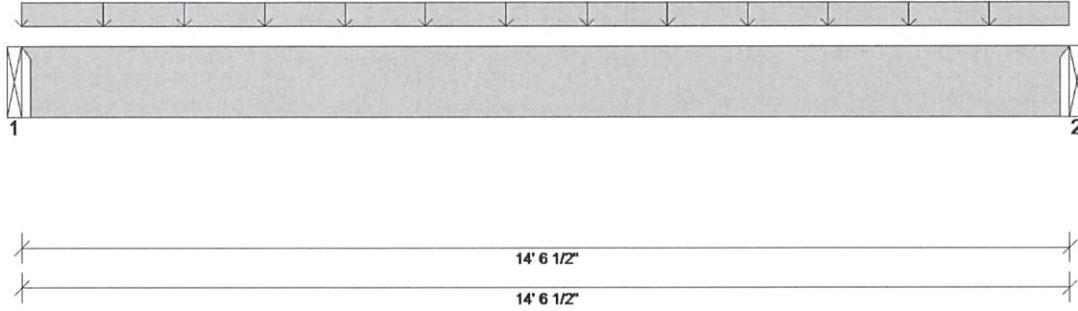
Label: M5-2 | Design Tag: i7012

2 piece(s) of 1 3/4" x 11 7/8" 2.0E Microllam® LVL

Member Type: Beam | Level: 2nd Floor

Design Passed

Product is Sufficient for Application and Loads Described



Building Code: IBC 2018 Design Methodology: ASD Member Cut Length: 14' 6 1/2" Member Drawing Not to Scale

Design Results:	Design @ Location	Allowed	Result	LDF	Load Combination - (Load Group)
Critical Reaction	1418 lb @ 0"	3938 lb (1.5")	Passed - 36%	-	1.0 D + 1.0 L - (0)
Shear	1225 lb @ 11 7/8"	7897 lb	Passed - 16%	1.00	1.0 D + 1.0 L - (0)
Moment	5154 lb-ft @ 7' 3 1/4"	17848 lb-ft	Passed - 29%	1.00	1.0 D + 1.0 L - (0)
Live Load Deflection	0.13" @ 7' 3 1/4"	0.48" L/360	Passed - L/999	-	1.0 D + 1.0 L - (0)
Total Load Deflection	0.22" @ 7' 3 1/4"	0.73" L/240	Passed - L/811	-	1.0 D + 1.0 L - (0)

Design Notes:

- * Top Edge Bracing (Lu): Top compression edge must be braced at 14-07-00 o/c based on loads applied, unless detailed otherwise.
- * Bottom Edge Bracing (Lu): Bottom compression edge must be braced at 14-07-00 o/c based on loads applied, unless detailed otherwise.
- * Allowed moment does not reflect the adjustment for the beam stability factor.

Supports:

Support	Start : End	Req'd Br'g	Source	Maximum Loads to Supports			
				Dead	Floor Live	Roof Live	Snow
1	0" : 0"	1.5"	BBO2-2(i7035)	527 lb	886 lb	-	-
2	14' 6 1/2" : -	1.5"	BBO2-2(i6995)	527 lb	886 lb	-	-

Loads:

Type	Start : End	Combine	Source	Maximum Loads on Member			
				Dead	Floor Live	Roof Live	Snow
Self Weight	0" : 14' 6 1/2"	-	Self Weight	11 lb/ft	-	-	-
Uniform	0" : 14' 6 1/2"	-	User Load	61 lb/ft	122 lb/ft	-	-

Connector Information:

Support	Manufacturer	Model	Nailing Requirements				Other Information
			Top	Face	Member	Min. Seat Length	
1	SST	HU412	Not Applicable	22- 10dx1.5	10- 10d	1.5"	Minimum seat length reported is based on the design load
2	SST	HU412	Not Applicable	22- 10dx1.5	10- 10d	1.5"	Minimum seat length reported is based on the design load

Errors, Warnings, & Notes:

- * If sloping roof loads are applied to this member, the roof dead load has been adjusted for slope.
- * The member graphic, dimensions, and locations shown on this report are based on the centerline of the member.
- * Analysis and Design has been performed using precision loading from actual modeled conditions. Some loads may have been modified to simplify reporting.



Member Report

Label: M5-2 | Design Tag: i7012

2 piece(s) of 1 3/4" x 11 7/8" 2.0E Microllam® LVL

Member Type: Beam | Level: 2nd Floor

Product is Sufficient for Application and Loads Described

Design Passed

* Load Duration Factors: Dead - 0.90, Floor Live - 1.00, Roof Live - 1.25, Snow - 1.15

Weyerhaeuser warrants that the sizing of its products will be in accordance with Weyerhaeuser product design criteria and published design values. Weyerhaeuser expressly disclaims any other warranties related to the software. Refer to current literature for installation details and trademark information available at wy.com/woodproducts. Use of this software is not intended to circumvent the need for a design professional as determined by the authority having jurisdiction. The designer of record, builder or framer is responsible to assure that this calculation is compatible with the overall project. The product application, input design loads, dimensions and support information have been provided by _____ of _____.

Copyright Weyerhaeuser NR Company. All rights reserved.

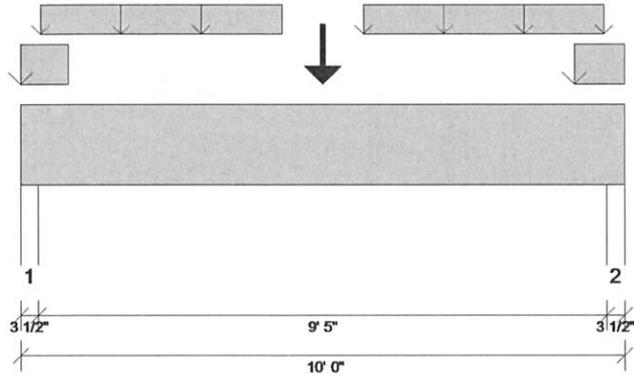


Design Passed

Member Report

Label: M2-2 | Design Tag: i6973
 2 piece(s) of 1 3/4" x 16" 2.0E Microllam® LVL
 Member Type: Beam | Level: 2nd Floor

Product is Sufficient for Application and Loads Described



Building Code: IBC 2018 Design Methodology: ASD Member Cut Length: 10' 0" Member Drawing Not to Scale

Design Results:	Design @ Location	Allowed	Result	LDF	Load Combination - (Load Group)
Critical Reaction	3522 lb @ 9' 10"	5206 lb (3.5")	Passed - 68%	-	1.0 D + 0.75 L + 0.75 S - (0)
Shear	2609 lb @ 1' 7 1/2"	10640 lb	Passed - 25%	1.00	1.0 D + 1.0 L - (0)
Moment	8455 lb-ft @ 5' 0"	31114 lb-ft	Passed - 27%	1.00	1.0 D + 1.0 L - (0)
Live Load Deflection	0.04" @ 5' 0"	0.32" L/360	Passed - L/999	-	1.0 D + 0.75 L + 0.75 S - (0)
Total Load Deflection	0.08" @ 5' 0"	0.48" L/240	Passed - L/999	-	1.0 D + 0.75 L + 0.75 S - (0)

Design Notes:

- * Top Edge Bracing (Lu): Top compression edge must be braced at 10-00-00 o/c based on loads applied, unless detailed otherwise.
- * Bottom Edge Bracing (Lu): Bottom compression edge must be braced at 10-00-00 o/c based on loads applied, unless detailed otherwise.
- * Allowed moment does not reflect the adjustment for the beam stability factor.

Supports:

Support	Start : End	Req'd Br'g	Source	Maximum Loads to Supports			
				Dead	Floor Live	Roof Live	Snow
1	0" : 3 1/2"	2.35"	E22(i61)	1632 lb	1696 lb	-	760 lb
2	9' 8 1/2" : 10' 0"	2.37"	E19(i60)	1662 lb	1713 lb	-	783 lb

Loads:

Type	Start : End	Combine	Source	Maximum Loads on Member			
				Dead	Floor Live	Roof Live	Snow
Self Weight	0" : 10' 0"	-	Self Weight	15 lb/ft	-	-	-
Uniform	0" : 9 9/16"	-	PLT1(i254)	468 lb/ft	-	-	490 lb/ft
Uniform	9' 2 1/16" : 10' 0"	-	PLT1(i254)	468 lb/ft	-	-	490 lb/ft
Tapered	4" : 4' 4"	-	Smoothed Load	182 To 178 lb/ft	365 To 365 lb/ft	-	-
Tapered	5' 8" : 9' 8"	-	Smoothed Load	178 To 182 lb/ft	365 To 365 lb/ft	-	-
Point	5' 0" : -	-	T24'-2(i6954)	938 lb	487 lb	-	747 lb

Errors, Warnings, & Notes:

- * If sloping roof loads are applied to this member, the roof dead load has been adjusted for slope.
- * The member graphic, dimensions, and locations shown on this report are based on the centerline of the member.
- * Analysis and Design has been performed using precision loading from actual modeled conditions. Some loads may have been modified to simplify reporting.
- * Load Duration Factors: Dead - 0.90, Floor Live - 1.00, Roof Live - 1.25, Snow - 1.15



Member Report

Label: M2-2 | Design Tag: i6973

2 piece(s) of 1 3/4" x 16" 2.0E MicroIam® LVL

Member Type: Beam | Level: 2nd Floor

Product is Sufficient for Application and Loads Described

Design Passed

Weyerhaeuser warrants that the sizing of its products will be in accordance with Weyerhaeuser product design criteria and published design values. Weyerhaeuser expressly disclaims any other warranties related to the software. Refer to current literature for installation details and trademark information available at wy.com/woodproducts. Use of this software is not intended to circumvent the need for a design professional as determined by the authority having jurisdiction. The designer of record, builder or framer is responsible to assure that this calculation is compatible with the overall project. The product application, input design loads, dimensions and support information have been provided by _____ of _____.

Copyright Weyerhaeuser NR Company. All rights reserved.

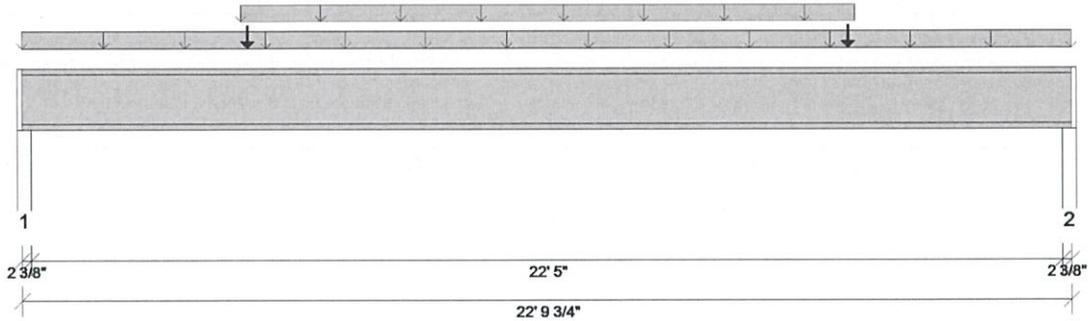


Member Report

Floor Container: FC2 | Label: T24' | Design Tag: i6956
 1 piece(s) of 16" TJ1® 360 joist
 Member Type: FloorJoist | Level: 2nd Floor

Design Passed

Product is Sufficient for Application and Loads Described



Building Code: IBC 2018 Design Methodology: ASD Member Cut Length: 22' 9 3/4" Member Drawing Not to Scale

Design Results:	Design @ Location	Allowed	Result	LDF	Load Combination - (Load Group)
Critical Reaction	721 lb @ 1 3/8"	1231 lb (2.37")	Passed - 59%	1.00	1.0 D + 1.0 L - (0)
Shear	713 lb @ 2 3/8"	2190 lb	Passed - 33%	1.00	1.0 D + 1.0 L - (0)
Moment	4378 lb-ft @ 11' 4 7/8"	8405 lb-ft	Passed - 52%	1.00	1.0 D + 1.0 L - (0)
Live Load Deflection	0.33" @ 11' 4 7/8"	0.56" L/480	Passed - L/816	-	1.0 D + 1.0 L - (0)
Total Load Deflection	0.47" @ 11' 4 7/8"	1.13" L/240	Passed - L/572	-	1.0 D + 1.0 L - (0)
TJ Pro Rating	44	40	Passed		

Decking Material & Attachment: 23/32"x48"x96" Weyerhaeuser Edge Gold Panel (0/24) T&G SF - Glue And Nail

Design Notes:

- * Top Edge Bracing (Lu): Top compression edge must be braced at 5-03-00 o/c based on loads applied, unless detailed otherwise.
- * Bottom Edge Bracing (Lu): Bottom compression edge must be braced at 22-10-00 o/c based on loads applied, unless detailed otherwise.
- * Allowed moment does not reflect the adjustment for the beam stability factor.
- * Additional considerations for TJ-Pro™ Rating include ceiling.
- * For TJ-Pro™ Rating calculation the controlling span is considered to be supported by walls.
- * Member design (strength) is based on loads shown in loading section. TJ-Pro™ Rating, if shown, is based on 1-04-00 o.c. spacing.

Supports:

Support	Start : End	Req'd Br'g	Source	Maximum Loads to Supports			
				Dead	Floor Live	Roof Live	Snow
1	0" : 2 3/8"	1.75"	E24(i62)	240 lb	485 lb	-	-
2	22' 7 3/8" : 22' 9 3/4"	1.75"	E22(i61)	240 lb	485 lb	-	-

Loads:

Type	Start : End	Combine	Source	Maximum Loads on Member			
				Dead	Floor Live	Roof Live	Snow
Uniform	0" : 22' 9 3/4"	-	FC2 Floor Decking	13 lb/ft	27 lb/ft	-	-
Uniform	4' 8 5/8" : 18' 1 1/8"	-	FC2 Floor Decking	-	27 lb/ft	-	-
Point	4' 10 3/8" : -	-	NB57(i202)	86 lb	-	-	-
Point	17' 11 3/8" : -	-	NB59(i338)	86 lb	-	-	-

Errors, Warnings, & Notes:

- * If sloping roof loads are applied to this member, the roof dead load has been adjusted for slope.



Member Report

Floor Container: FC2 | Label: T24' | Design Tag: i6956

1 piece(s) of 16" TJI® 360 joist

Member Type: FloorJoist | Level: 2nd Floor

Product is Sufficient for Application and Loads Described

Design Passed

- * The member graphic, dimensions, and locations shown on this report are based on the centerline of the member.
- * Analysis and Design has been performed using precision loading from actual modeled conditions. Some loads may have been modified to simplify reporting.
- * The TJ-Pro™ Rating shown above is based on the default decking for the floor container. Special decking (if used) was not used in determination of the TJ-Pro™ Rating.
- * Load Duration Factors: Dead - 0.90, Floor Live - 1.00, Roof Live - 1.25, Snow - 1.15

Weyerhaeuser warrants that the sizing of its products will be in accordance with Weyerhaeuser product design criteria and published design values. Weyerhaeuser expressly disclaims any other warranties related to the software. Refer to current literature for installation details and trademark information available at wy.com/woodproducts. Use of this software is not intended to circumvent the need for a design professional as determined by the authority having jurisdiction. The designer of record, builder or framer is responsible to assure that this calculation is compatible with the overall project. The product application, input design loads, dimensions and support information have been provided by _____ of _____.

Copyright Weyerhaeuser NR Company. All rights reserved.

