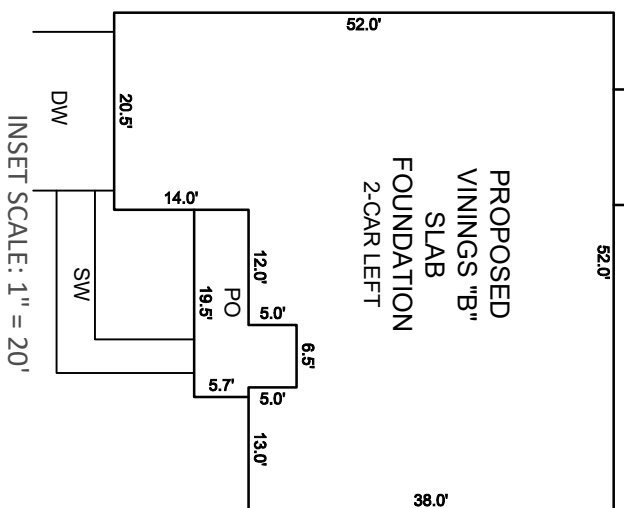


**LOT INFORMATION:**

PIN: 0539-70-9727.000  
 TOTAL LOT AREA = 0.57 AC = 25,000 SF  
 MAX. IMPERVIOUS = 24%  
 HOUSE = 2,231 SF  
 PORCH = 143 SF  
 SIDEWALK = 112 SF  
 DRIVEWAY = 610 SF  
 COVERED PATIO = 120 SF  
 PROPOSED IMPERVIOUS = 3,226 SF  
 PERCENT IMPERVIOUS = 12.91 %

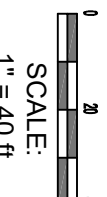
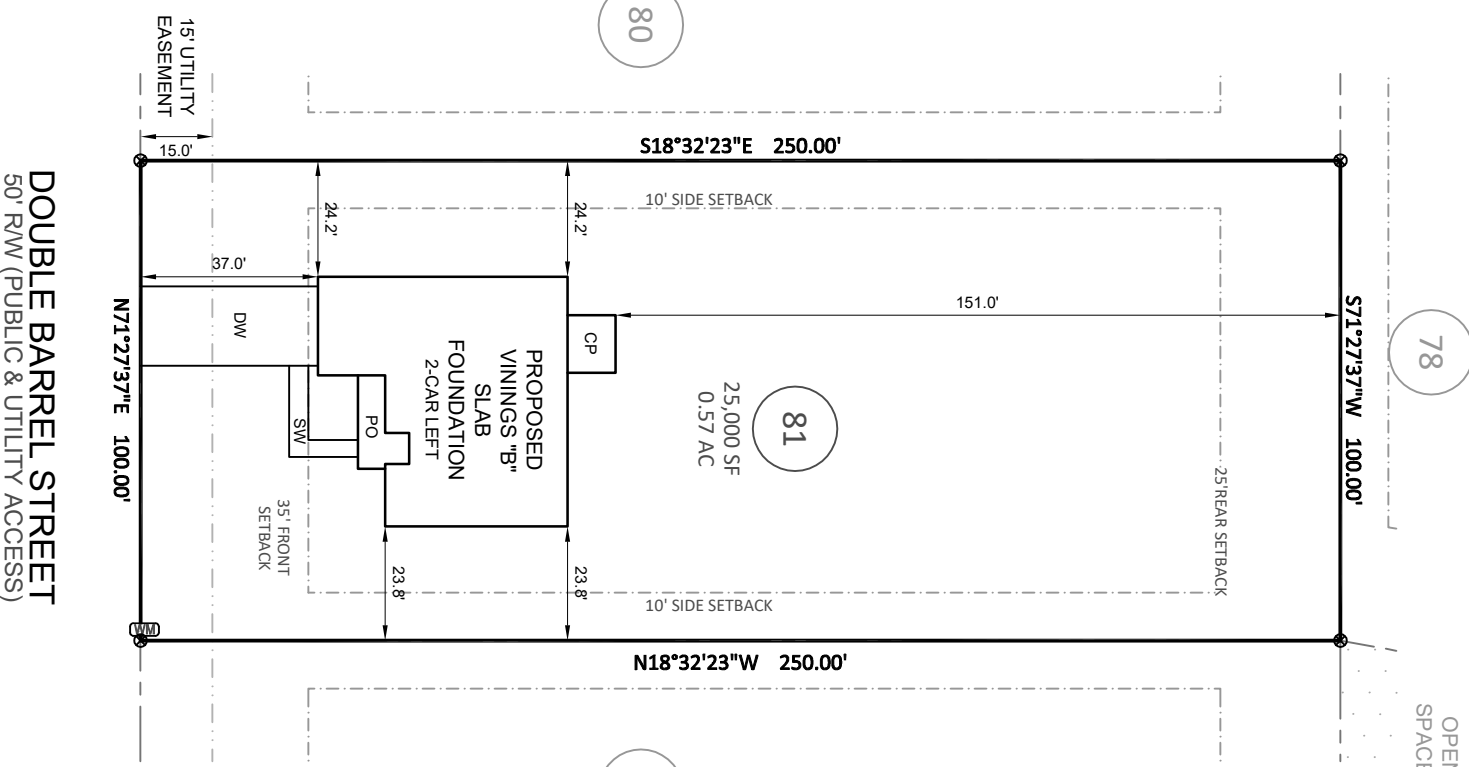
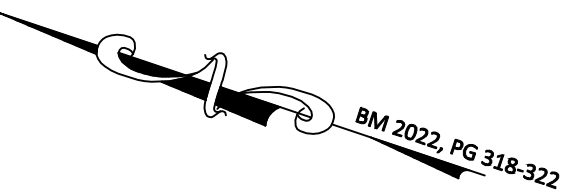
**REFERENCE:**  
 BM 2022, PG 293-297

OPEN SPACE 1



**NOTES:**

1. THIS SURVEY WAS PREPARED BY BATEMAN CIVIL SURVEY CO., UNDER THE SUPERVISION OF STEVEN P. CARSON, PLS.
2. THIS PLAN HAS BEEN PREPARED FOR LAYOUT AND PERMITTING PURPOSES ONLY.
3. PROPERTY LINES SHOWN WERE TAKEN FROM EXISTING FIELD EVIDENCE, EXISTING DEEDS AND PLATS OF PUBLIC RECORD, AND INFORMATION SUPPLIED TO THE SURVEYOR BY THE CLIENT.
4. ALL DISTANCES ARE HORIZONTAL GROUND DISTANCES AND ALL BEARINGS ARE NORTH CAROLINA STATE PLANE COORDINATE SYSTEM UNLESS OTHERWISE SHOWN.
5. THIS MAP IS NOT FOR RECORDATION AND SHOULD BE REVIEWED BY A LOCAL GOVERNMENT AGENCY FOR COMPLIANCE WITH ANY APPLICABLE LAND DEVELOPMENT REGULATIONS.
6. THE BASIS OF NORTH AND ALL EASEMENTS, RIGHTS-OF-WAYS, BUFFERS, SETBACKS AND ADJOINERS, ETC., REFERENCED IN TITLE BLOCK.
7. NO INVESTIGATION INTO THE EXISTENCE OF JURISDICTIONAL WETLANDS OR RIPARIAN BUFFERS PERFORMED BY THIS FIRM.
8. SURVEYOR HAS MADE NO INVESTIGATION OR INDEPENDENT SEARCH FOR EASEMENTS OF RECORD, ENCUMBRANCES, RESTRICTIVE COVENANTS, OWNERSHIP TITLE EVIDENCE OR ANY OTHER FACTS THAT AN ACCURATE AND CURRENT TITLE SEARCH MAY DISCLOSE.
9. THIS PROPERTY LIES WITHIN FLOOD ZONE "X" ACCORDING TO MAP #3720052800J OF THE FLOOD INSURANCE RATE, DATED 10/03/06.
10. ZONING IS RA-30, CONSERVATION.
11. PROPERTY OWNER: SMITH DOUGLAS HOMES  
 2520 RELIANCE AVENUE  
 APEX, NC 27539



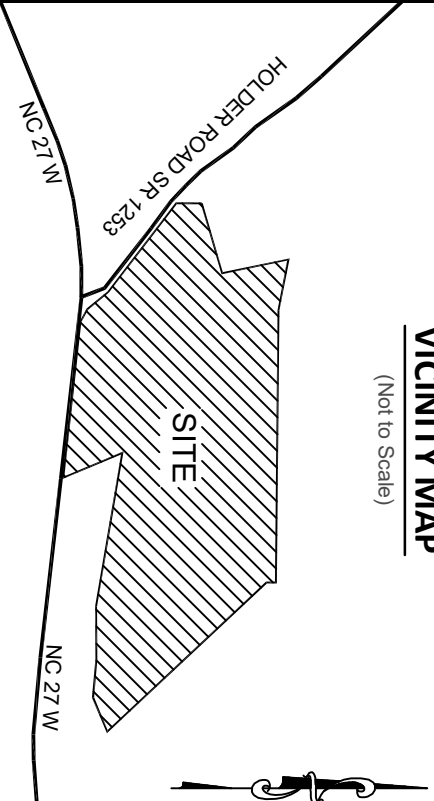
**Bateman Civil Survey Company**



Engineers • Surveyors • Planners  
 2524 Reliance Avenue, Apex, NC 27539 Ph: 919.577.1080 Fax: 919.577.1081  
 www.batemancivilsurvey.com info@batemancivilsurvey.com  
 NCBELS Firm No. C-2378

**VICINITY MAP**

(Not to Scale)



**LEGEND**

- PO = PORCH
- P = PATIO
- SP = COVERED PORCH OR PATIO
- CP = COVERED PORCH OR PATIO
- WD = WOOD DECK
- SW = SIDEWALK
- DW = CONC DRIVEWAY
- ⊗ = COMPUTED POINT
- ⊙ = IRON PIPE FOUND
- ⊖ = IRON PIPE SET (IPS)
- ⊕ = WATER METER
- ⊖ = CLEANOUT
- AC = AIR CONDITIONER
- ⊖ = ELECTRIC BOX
- ⊖ = CABLE BOX
- ⊖ = TELEPHONE PEDESTAL
- LP = LIGHT POLE
- CI = CURB INLET
- YI = YARD INLET
- ⚡ = FIRE HYDRANT
- WV = WATER VALVE
- PP = POWER POLE

**BUILDING SETBACKS:**

FRONT = 35 ft  
 REAR = 25 ft  
 SIDE = 10 ft  
 CORNER = 20 ft

This map is of an existing parcel of land and is only intended for the parties and purposes shown. This map not for recordation. No title report provided.

BUILDER TO VERIFY HOUSE LOCATION, DIMENSIONS AND REVIEW TOTAL IMPERVIOUS NOTED ON THIS PLOT PLAN

**PRELIMINARY PLOT PLAN**

FOR



**DUNCANS CROSSING - LOT 81**

114 DOUBLE BARREL STREET, LILLINGTON, NC  
 UPPER LITTLE RIVER TOWNSHIP, HARNETT COUNTY  
 DATE: 1/23/23 DRAWN BY: AHB CHECKED BY: SPC

REFERENCE: BM 2022, PG 318-322 PROJECT # 220482 SCALE: 1" = 40'