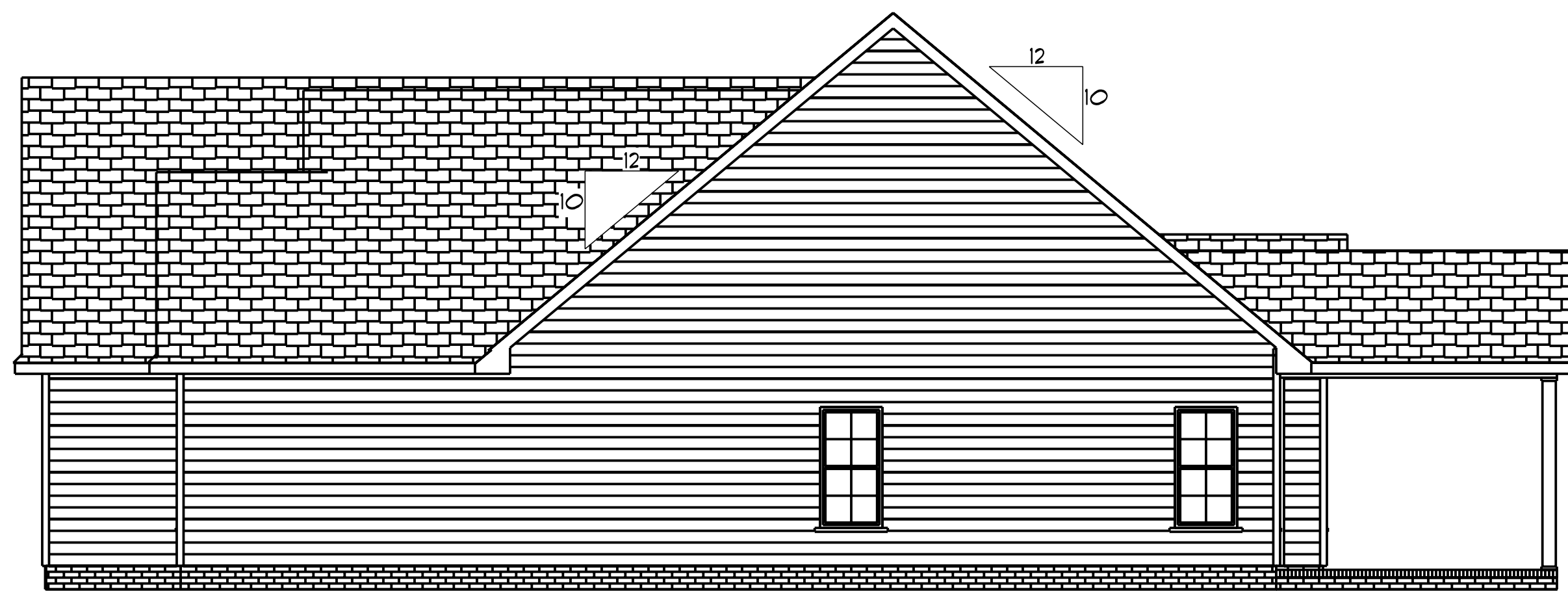




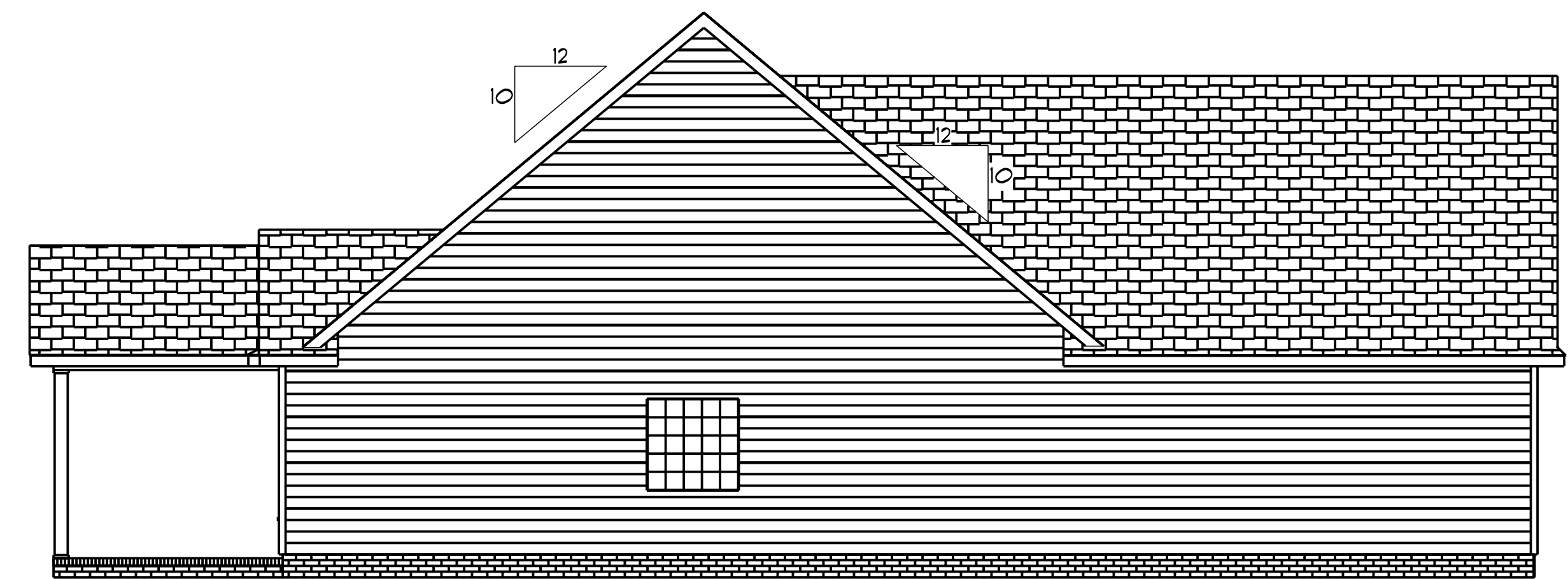
Front Elevation
Scale: 1/4" = 1'0"



Rear Elevation
Scale: 3/16" = 1'0"



Right Elevation
Scale: 3/16" = 1'0"



Left Elevation
Scale: 3/16" = 1'0"

DATE: 12/14/2022

REVISED

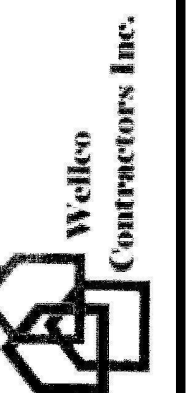
DRAWING*

SCALE: 1/4"

DRAWN BY

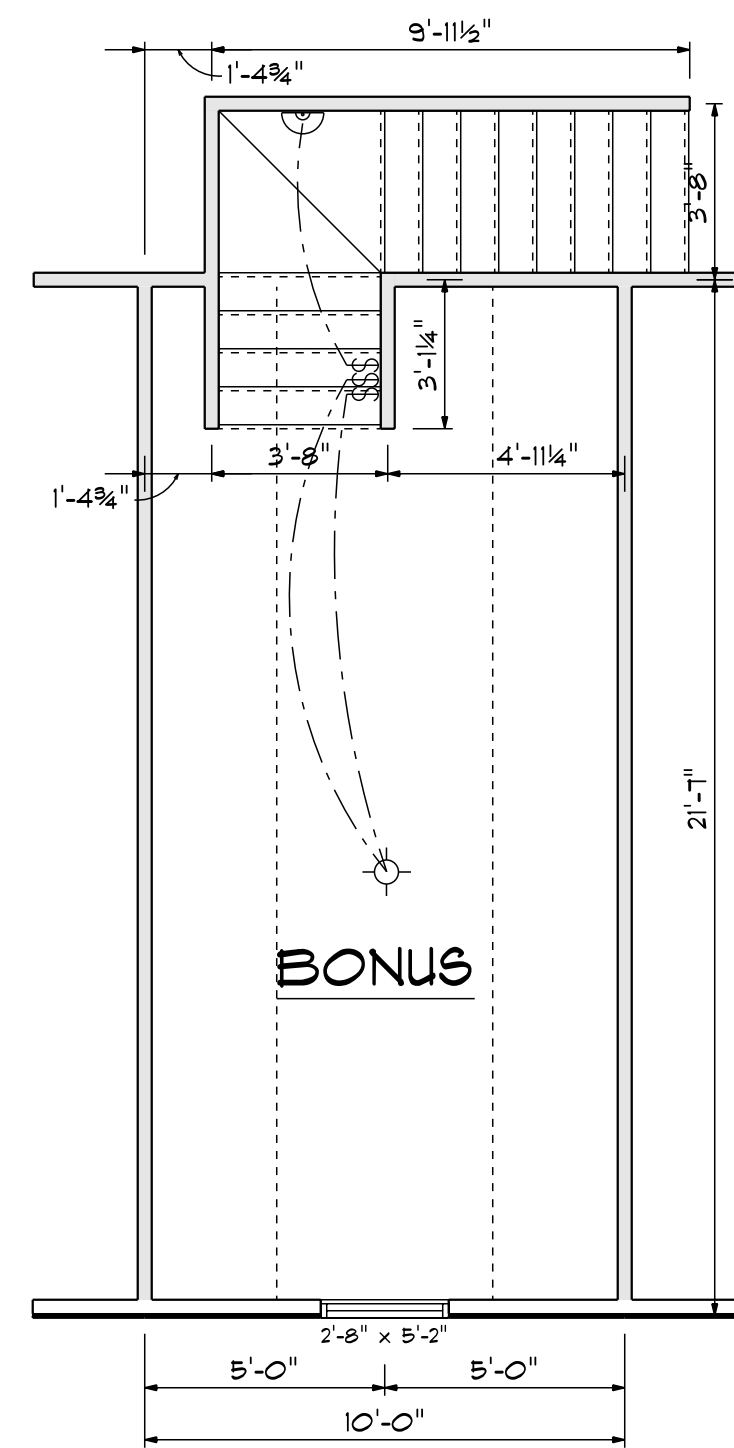
APPROVED

Plan #11

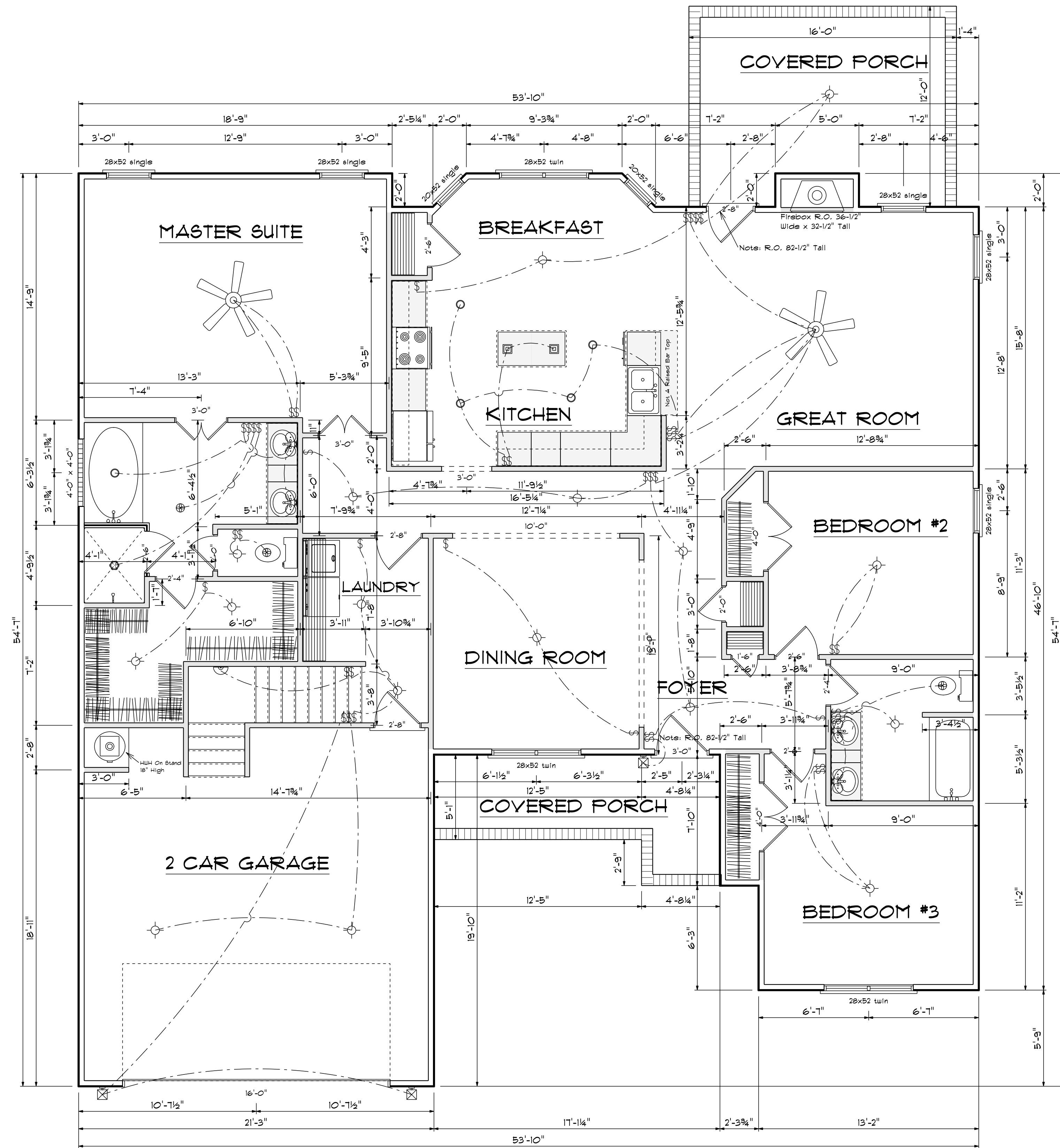


Areas

Main Floor	2001
Bonus Room	208
=====	
Total Heated	2209
Garage	451
Front Porch	99
Rear Porch	132



Bonus Room Plan
Scale: 1/4" = 1'-0"

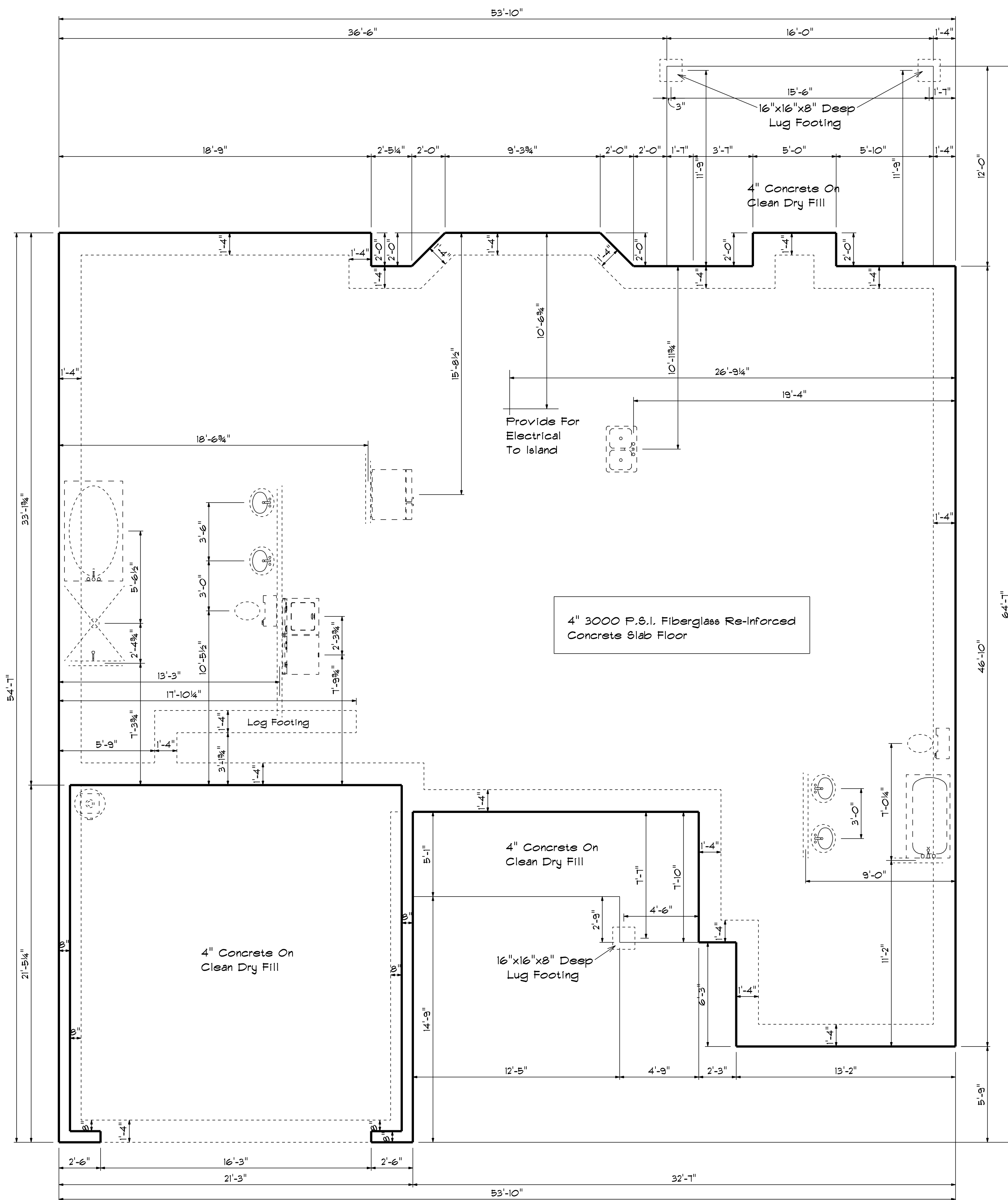


Main Floor Plan
Scale: 1/4" = 1'-0"

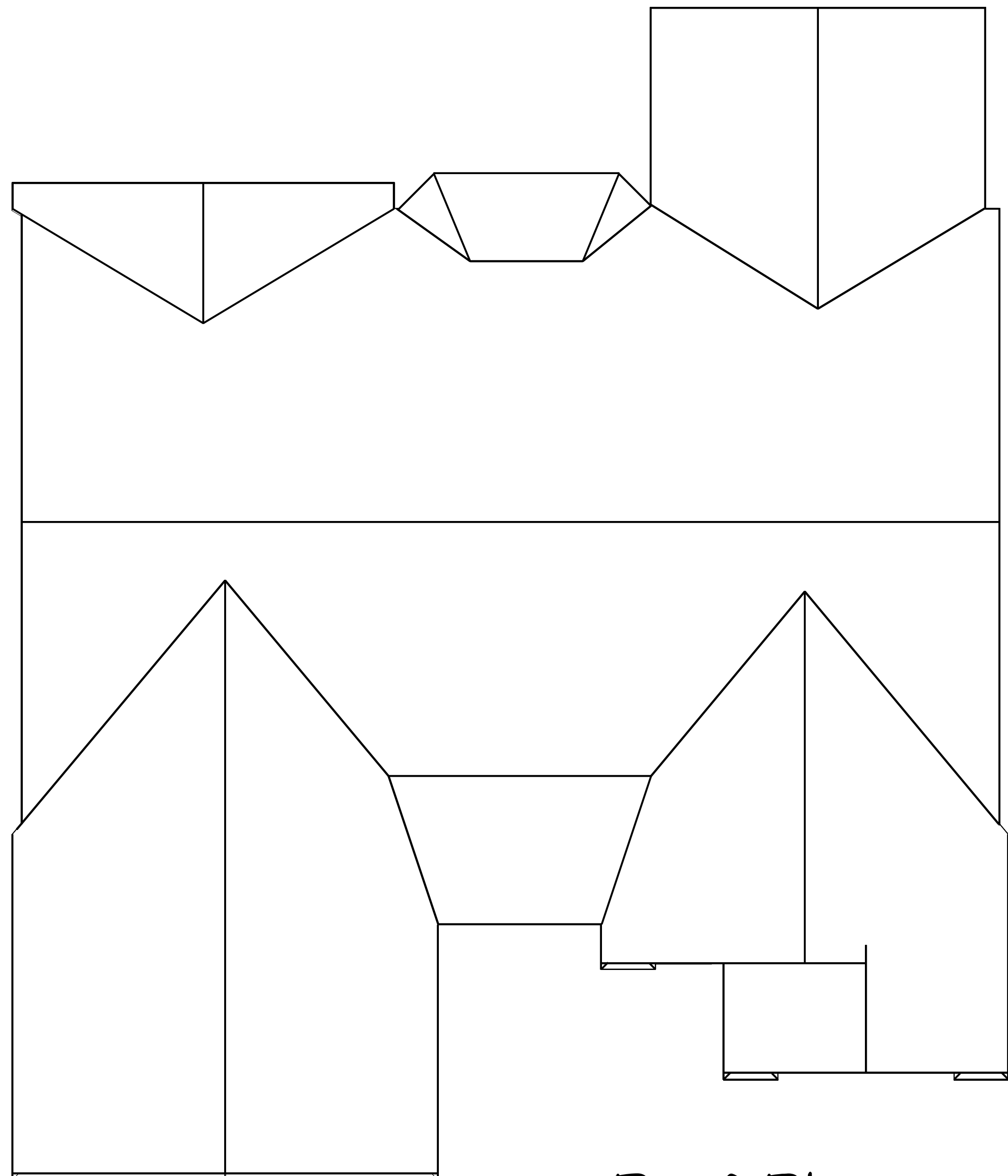
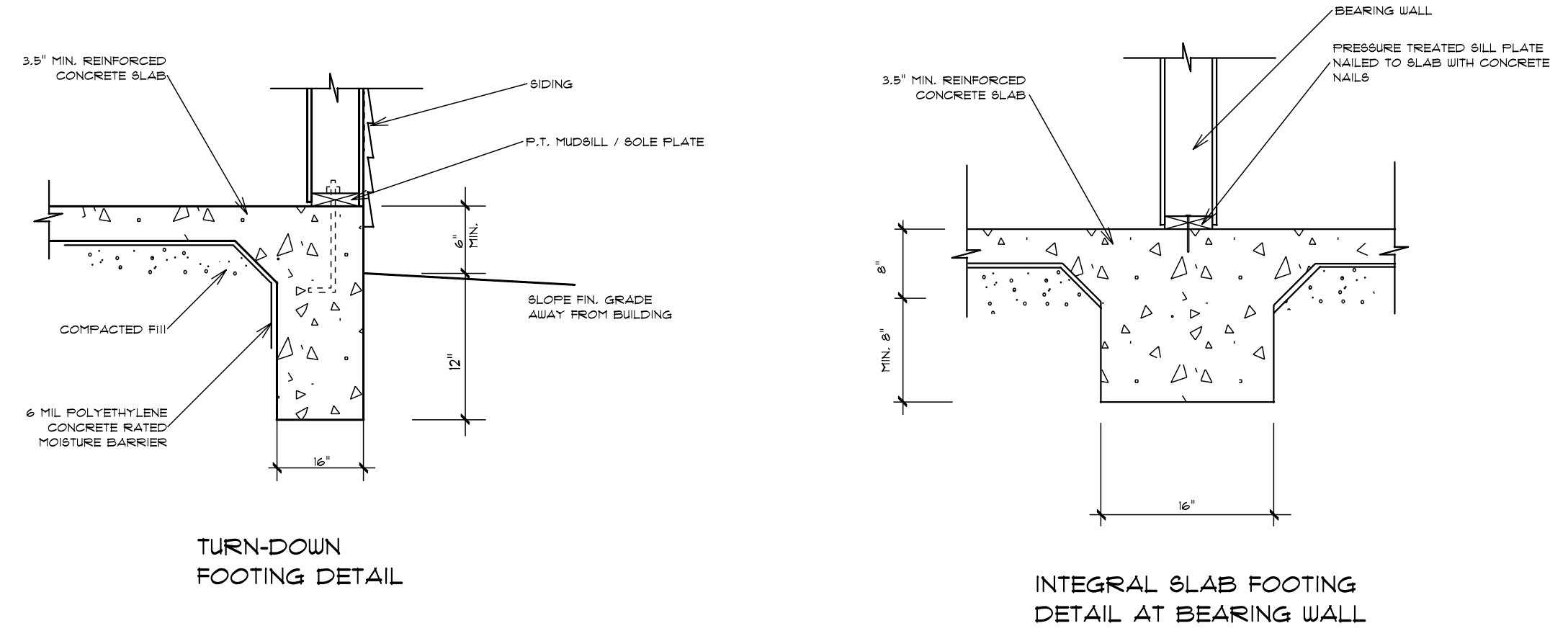
DATE: 12/14/2022
REVISED
DRAWING#

SCALE: 1/4"
DRAWN BY
APPROVED

Plan #11



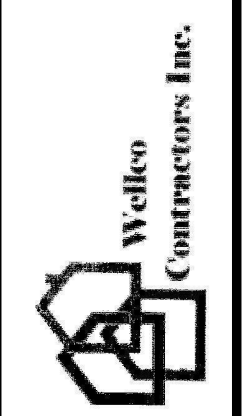
Foundation Plan
Scale: 1/4" = 1'-0"

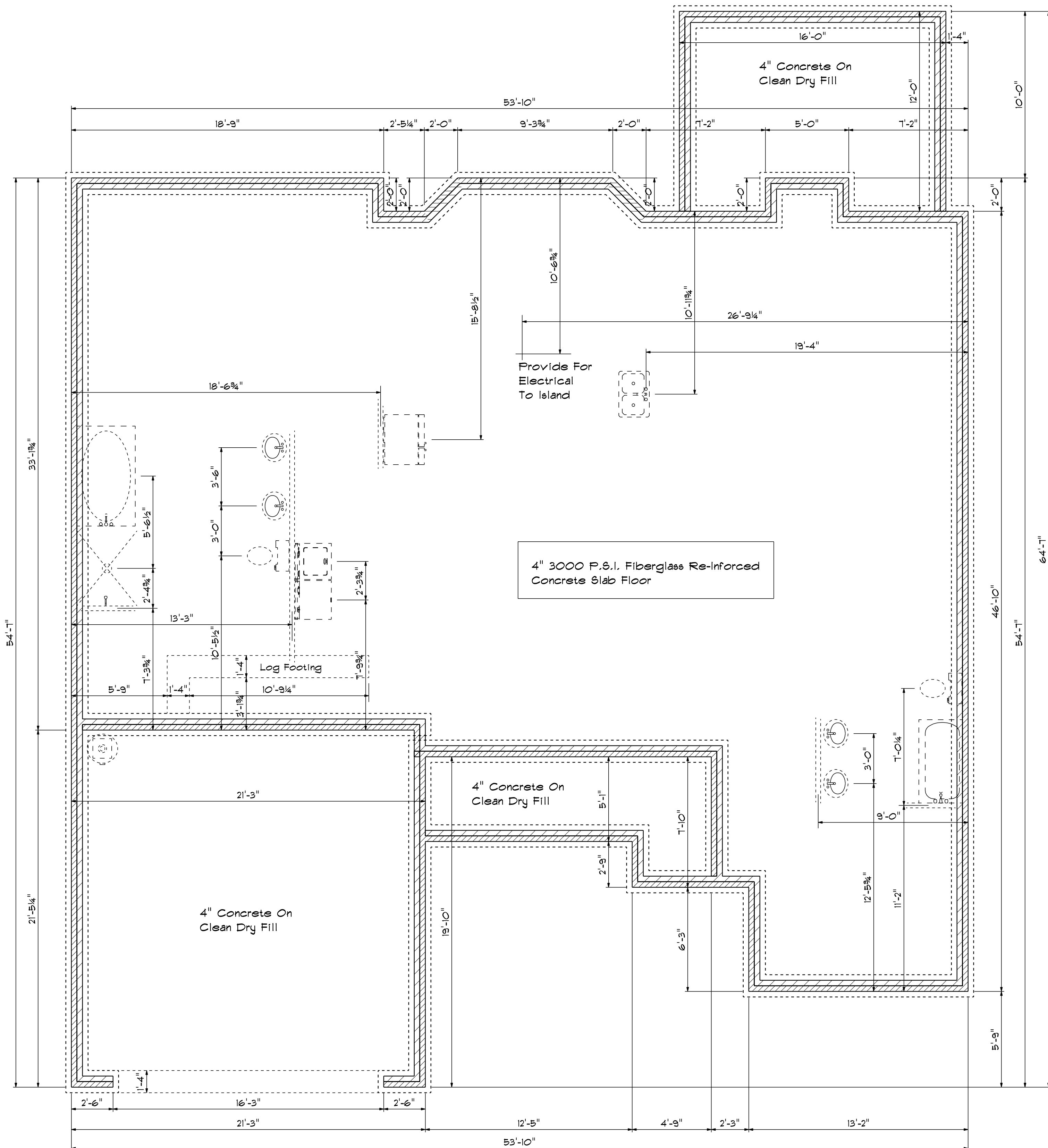


Roof Plan

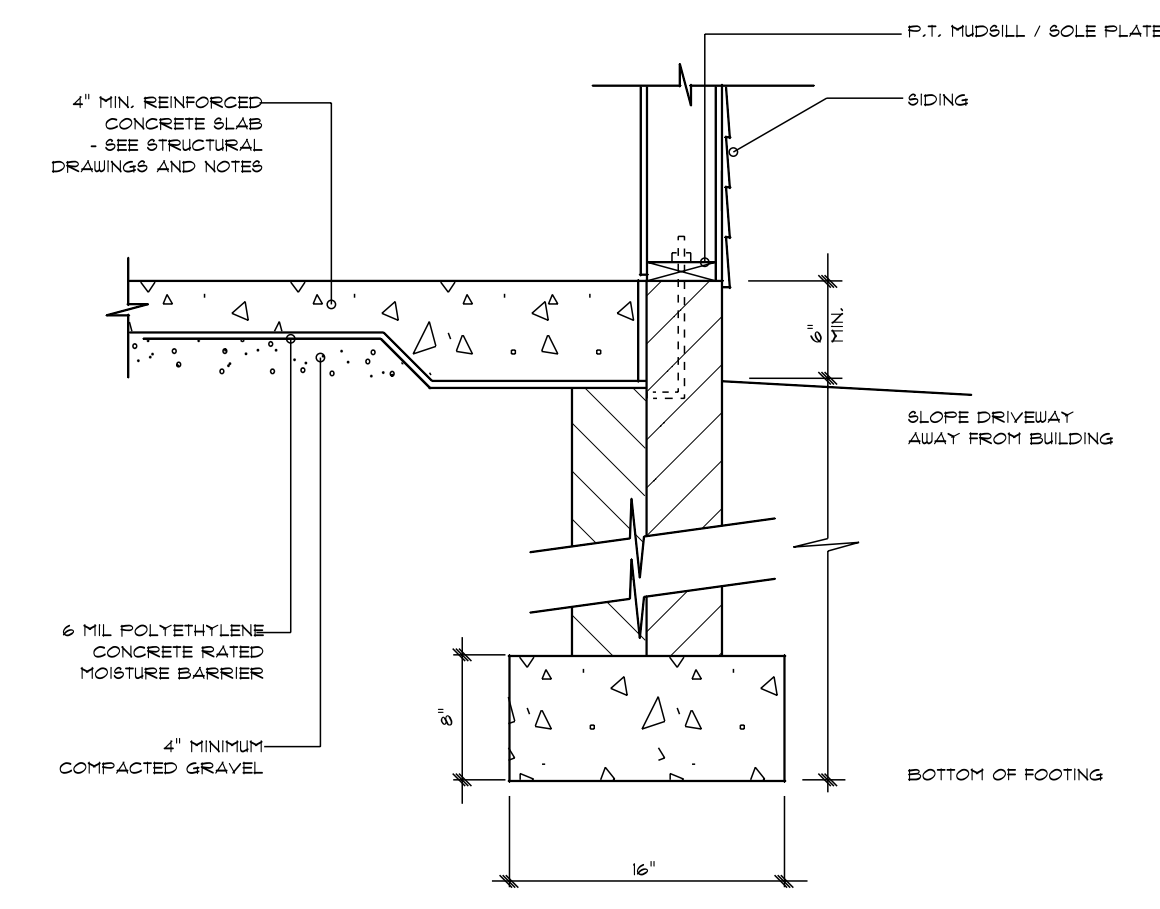
DATE: 12/14/2022
REVISED
DRAWING*
SCALE: 1/4"
DRAWN BY
APPROVED

Plan #11

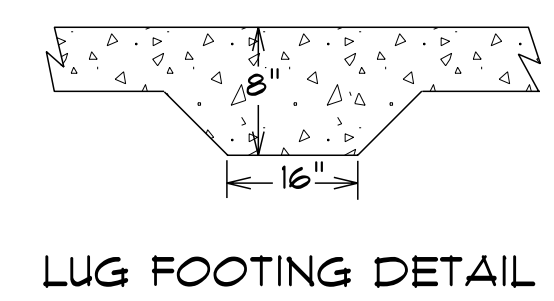




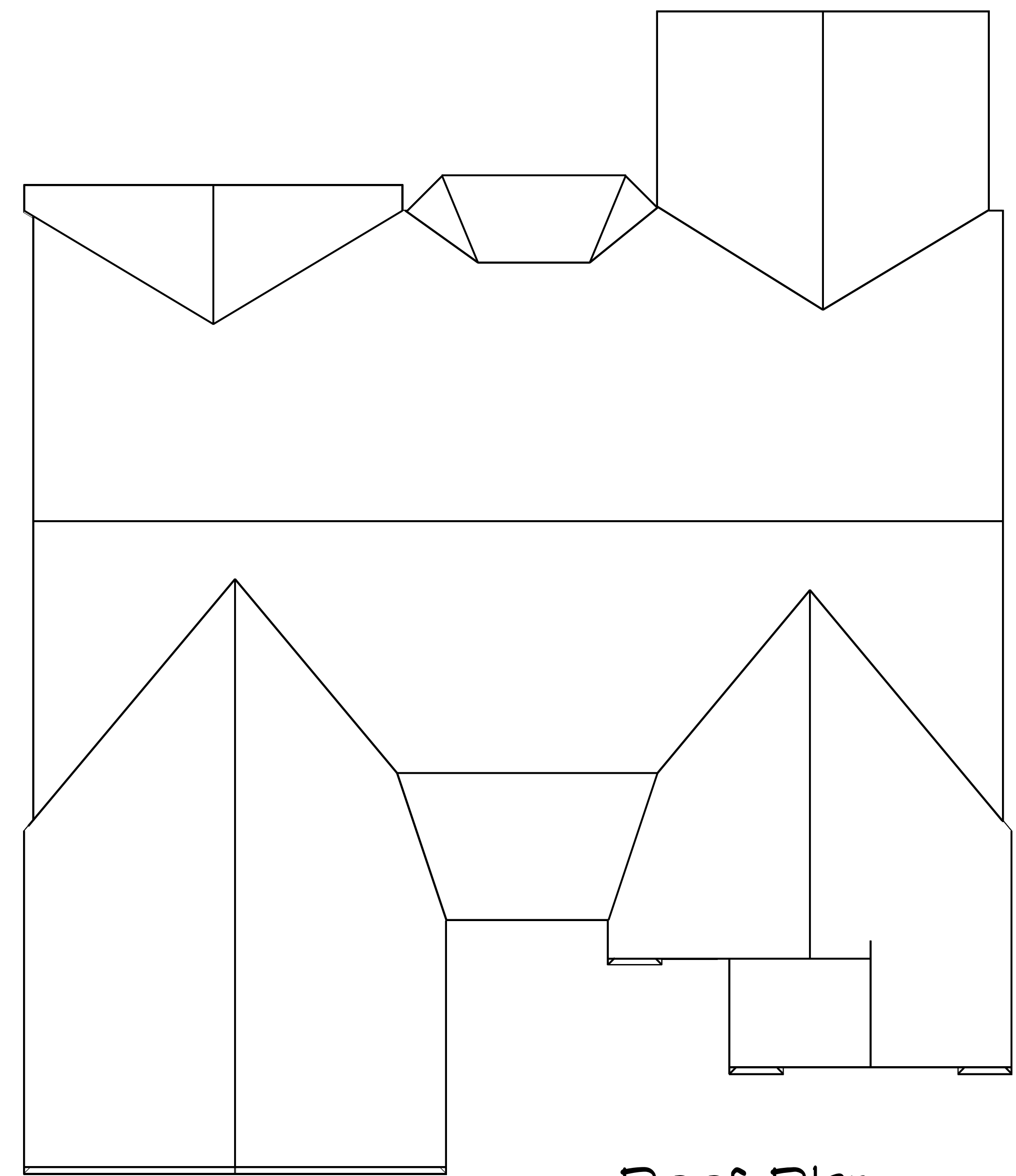
Foundation Plan
Scale: 1/4" = 1'-0"



STEM WALL FOOTING DETAIL



LUG FOOTING DETAIL



Roof Plan

DATE: 12/14/2022
REVISED
DRAWING*

SCALE: 1/4"
DRAWN BY
APPROVED

Plan #11