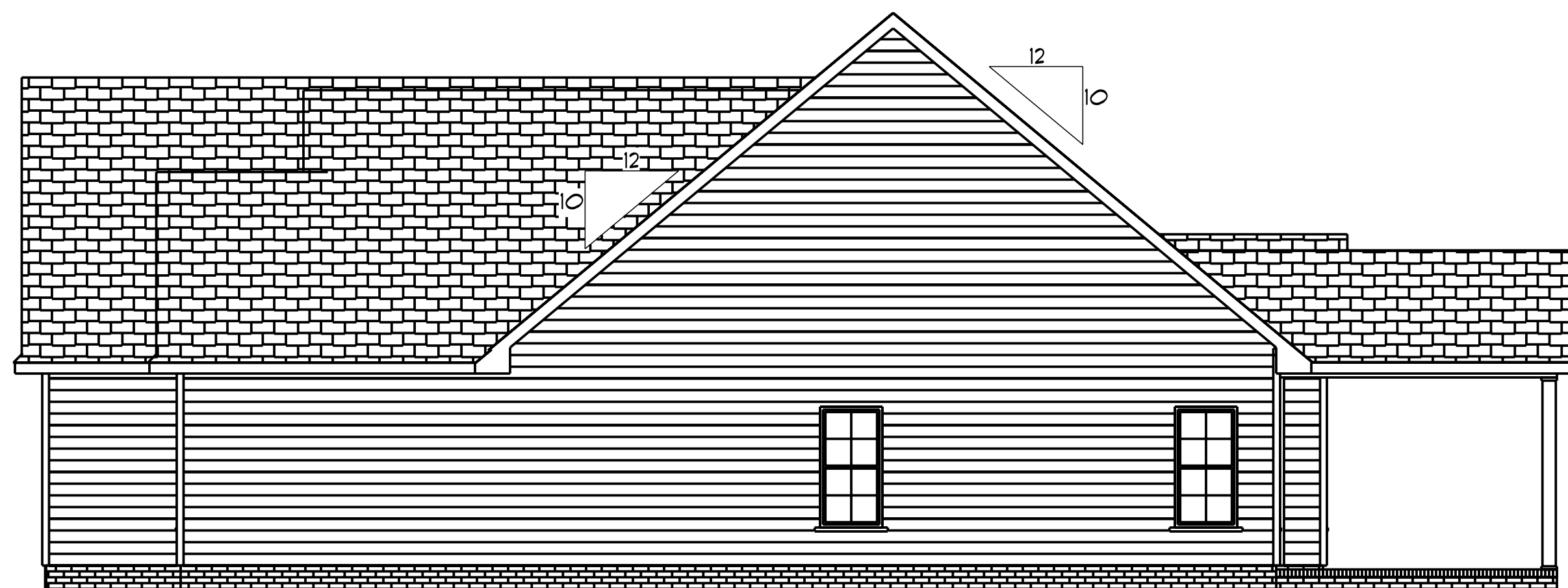




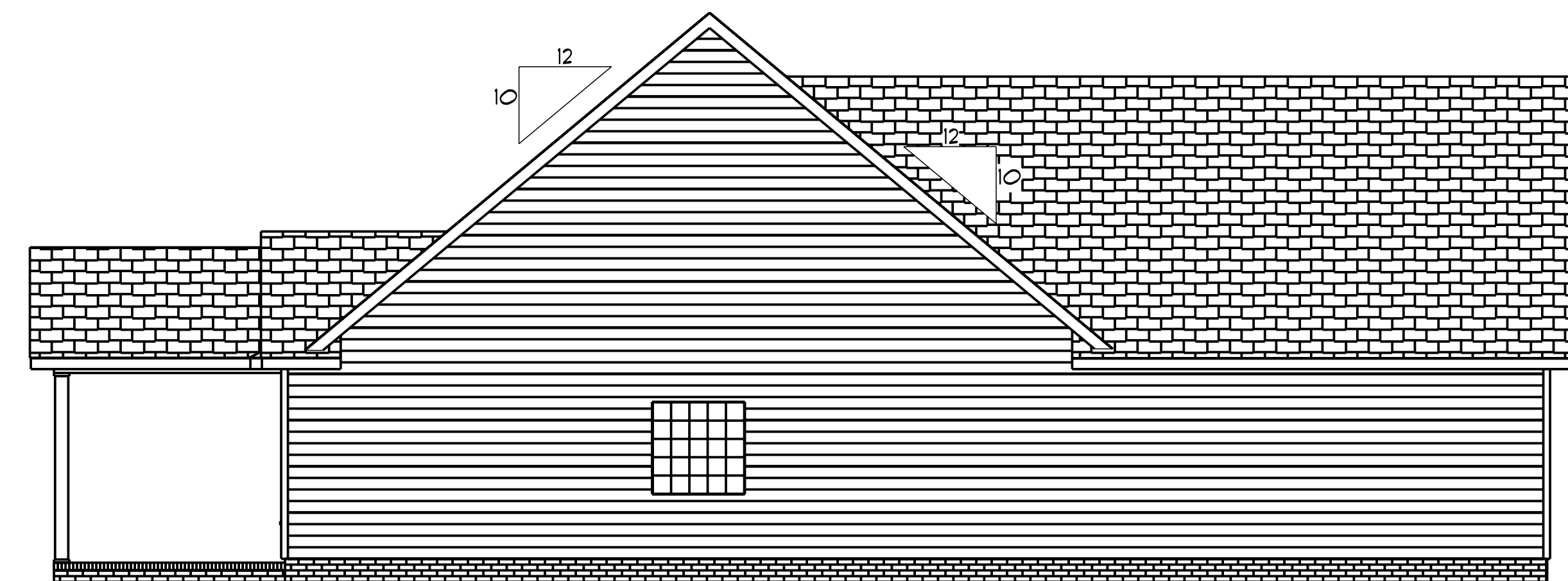
Front Elevation
Scale: 1/4" = 1'0"



Rear Elevation
Scale: 3/16" = 1'0"



Right Elevation
Scale: 3/16" = 1'0"



Left Elevation
Scale: 3/16" = 1'0"



DATE: 12/14/2022
REVISED
DRAWING*

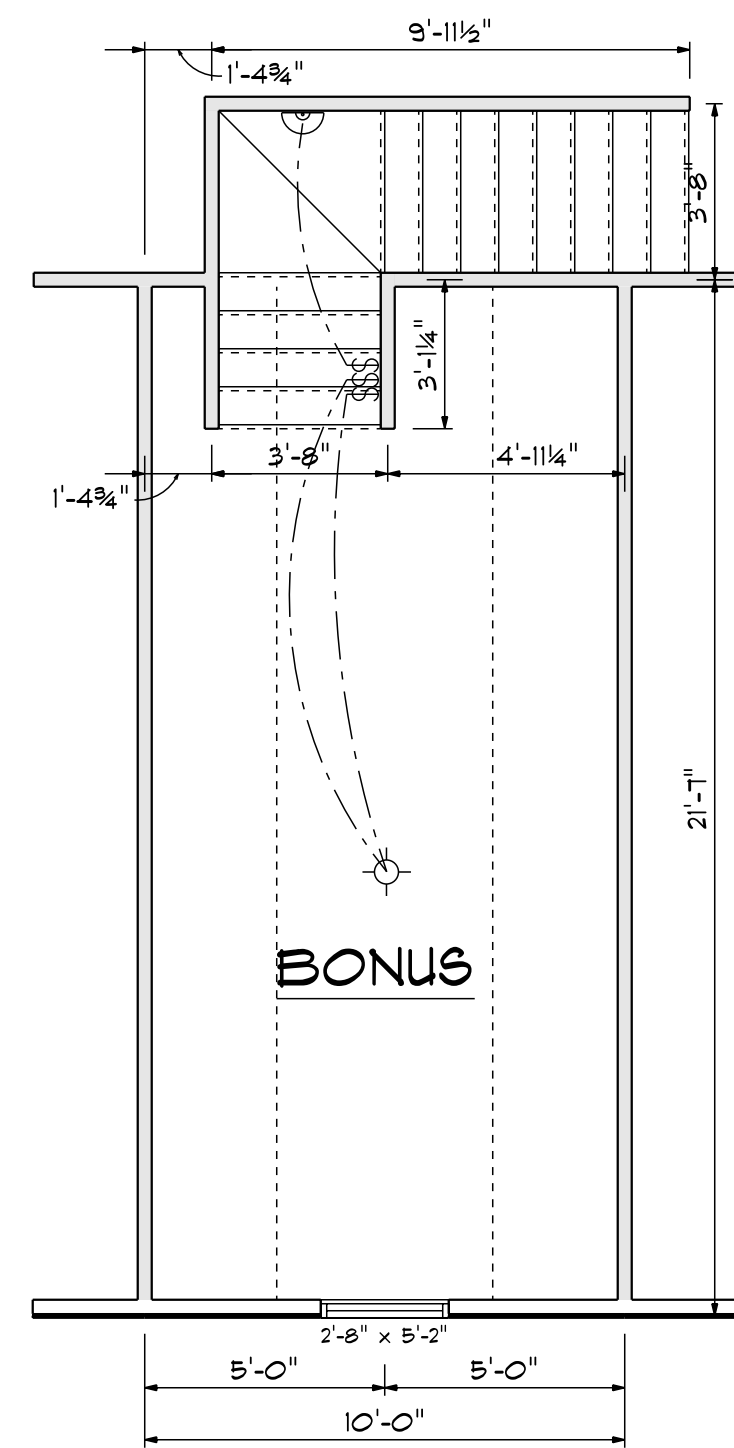
SCALE: 1/4"
DRAWN BY
APPROVED

Plan #11

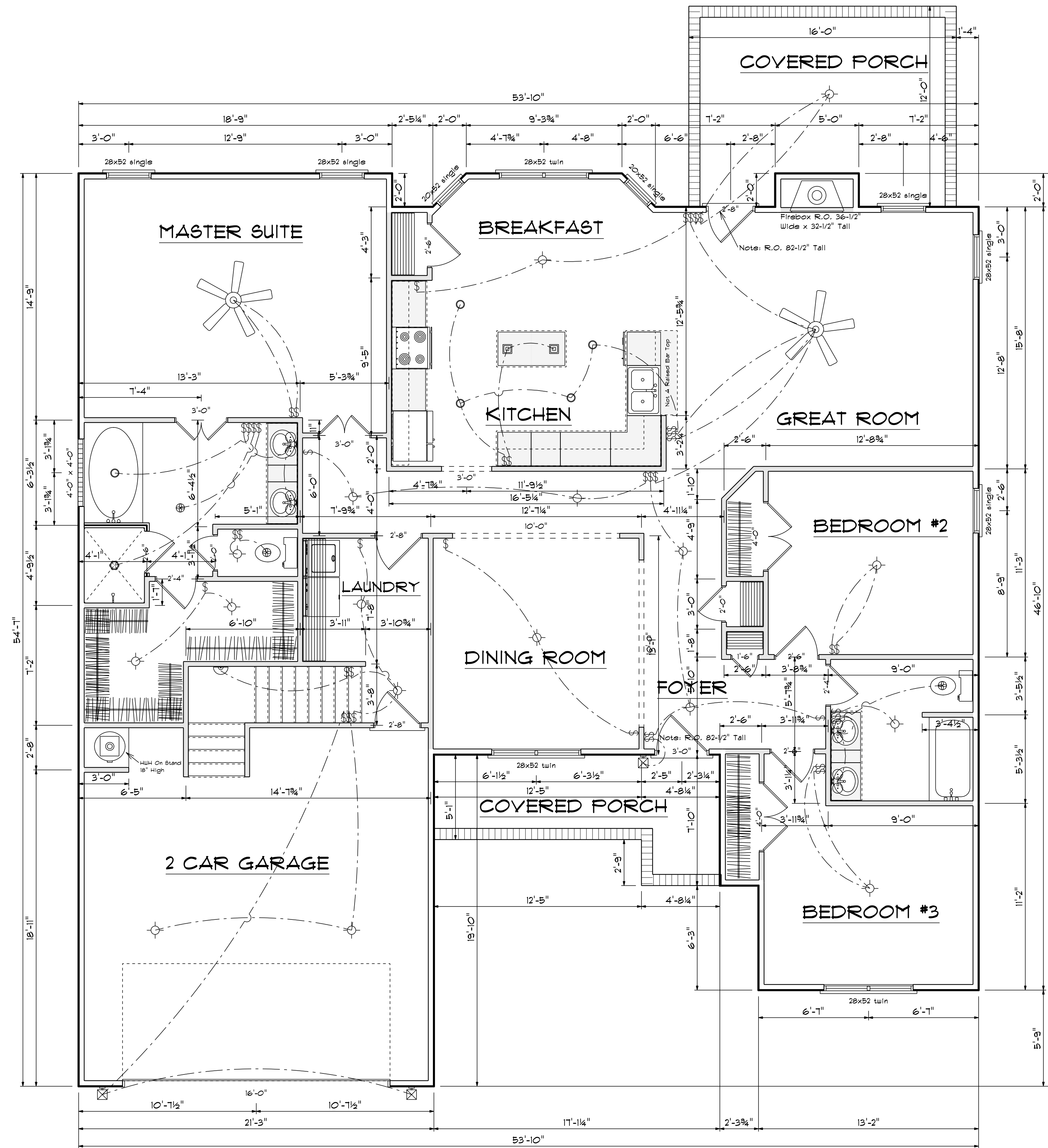


Areas

Main Floor	2001
Bonus Room	208
=====	
Total Heated	2209
Garage	451
Front Porch	99
Rear Porch	132



Bonus Room Plan
Scale: 1/4" = 1'-0"

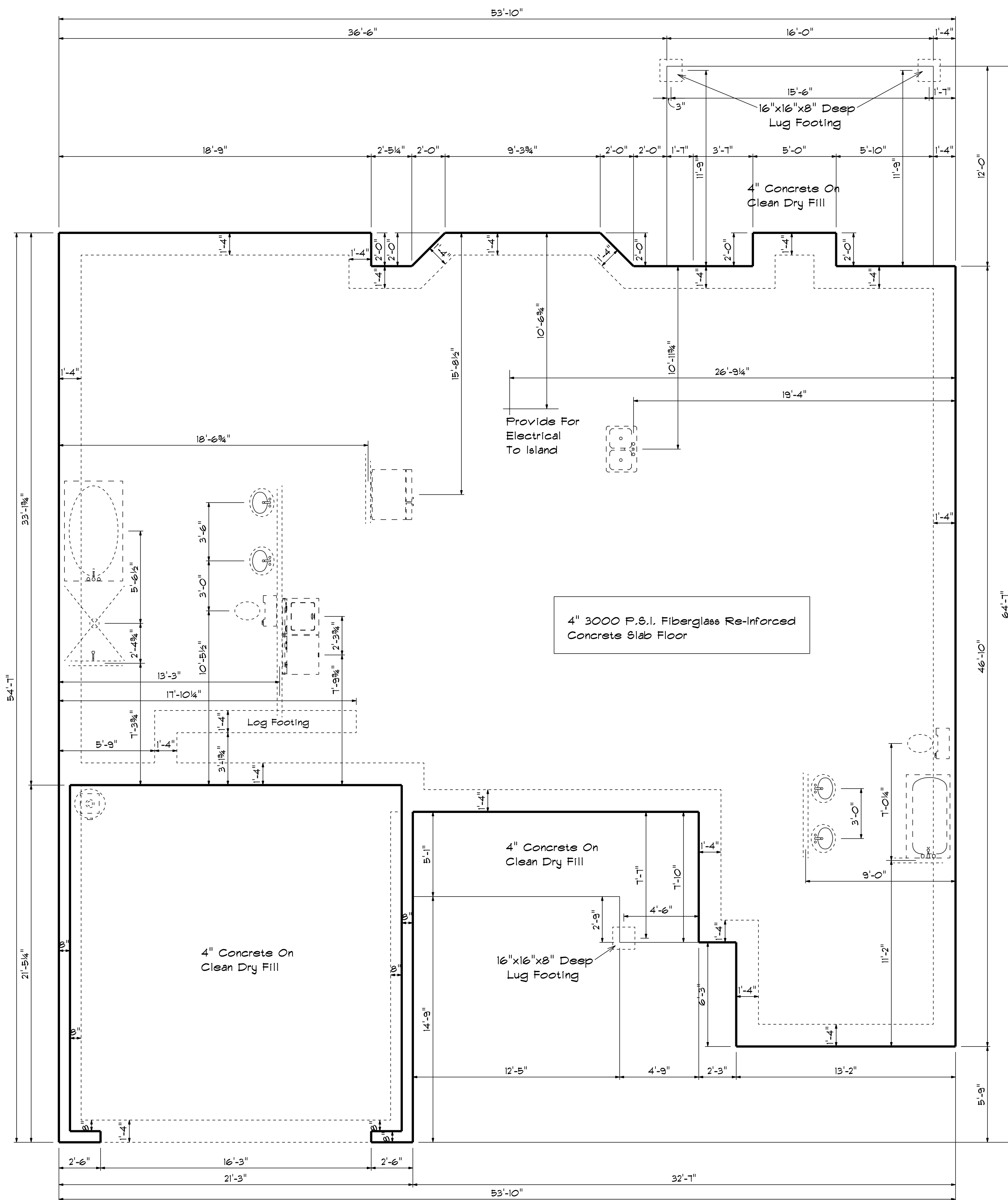


Main Floor Plan
Scale: 1/4" = 1'-0"

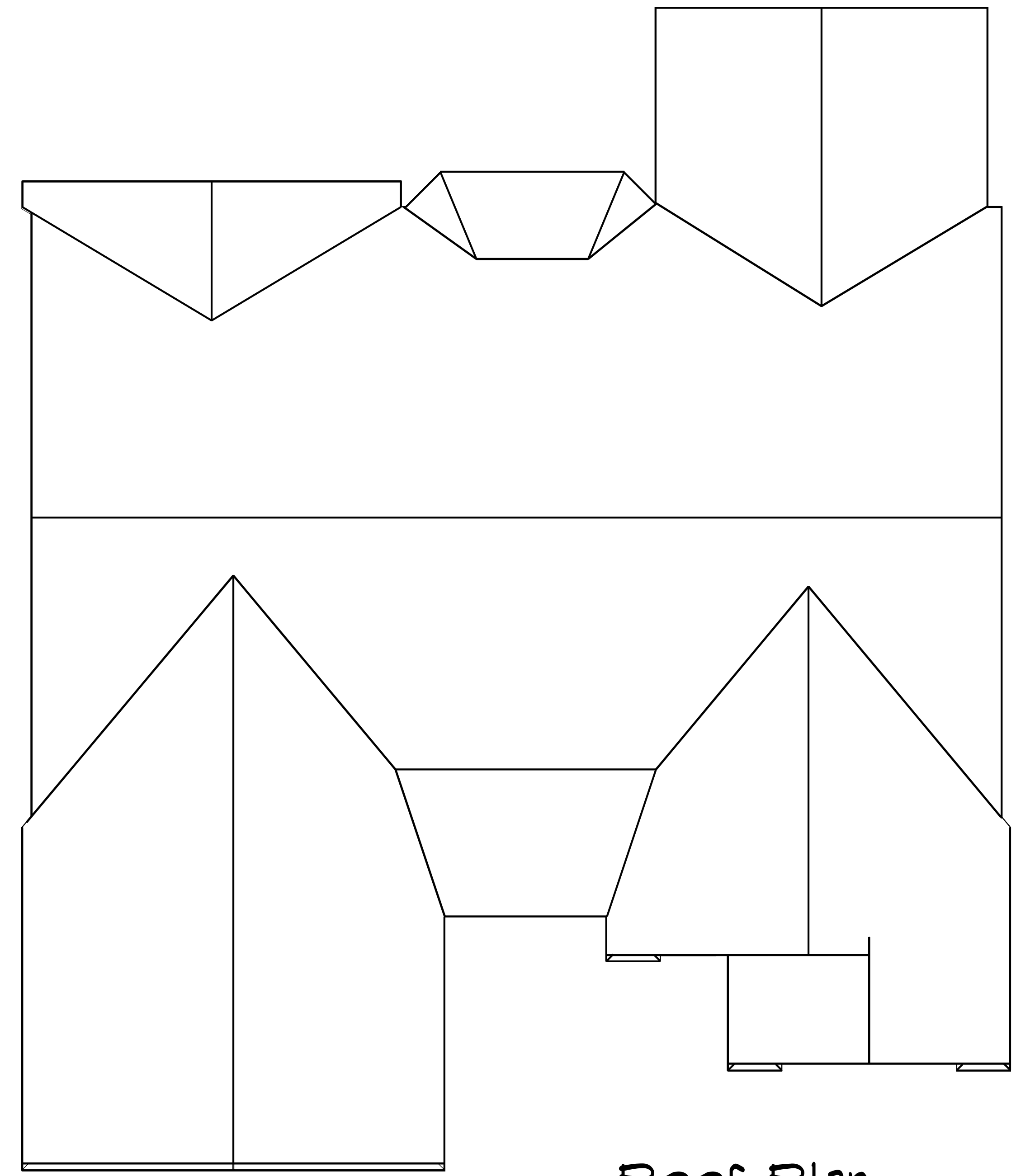
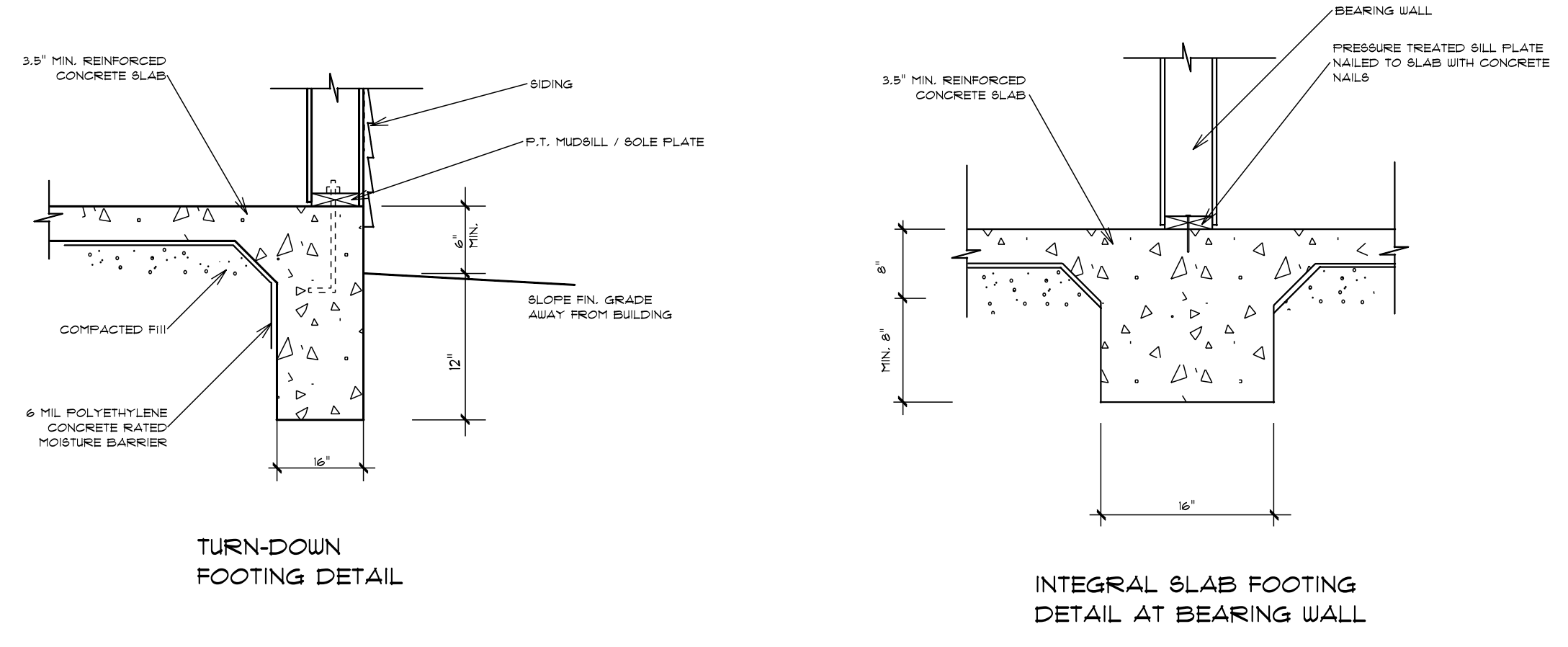
DATE: 12/14/2022
REVISED
DRAWING#

SCALE: 1/4"
DRAWN BY
APPROVED

Plan #11



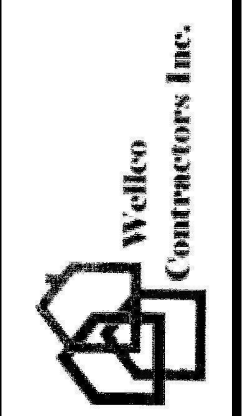
Foundation Plan
Scale: 1/4" = 1'-0"

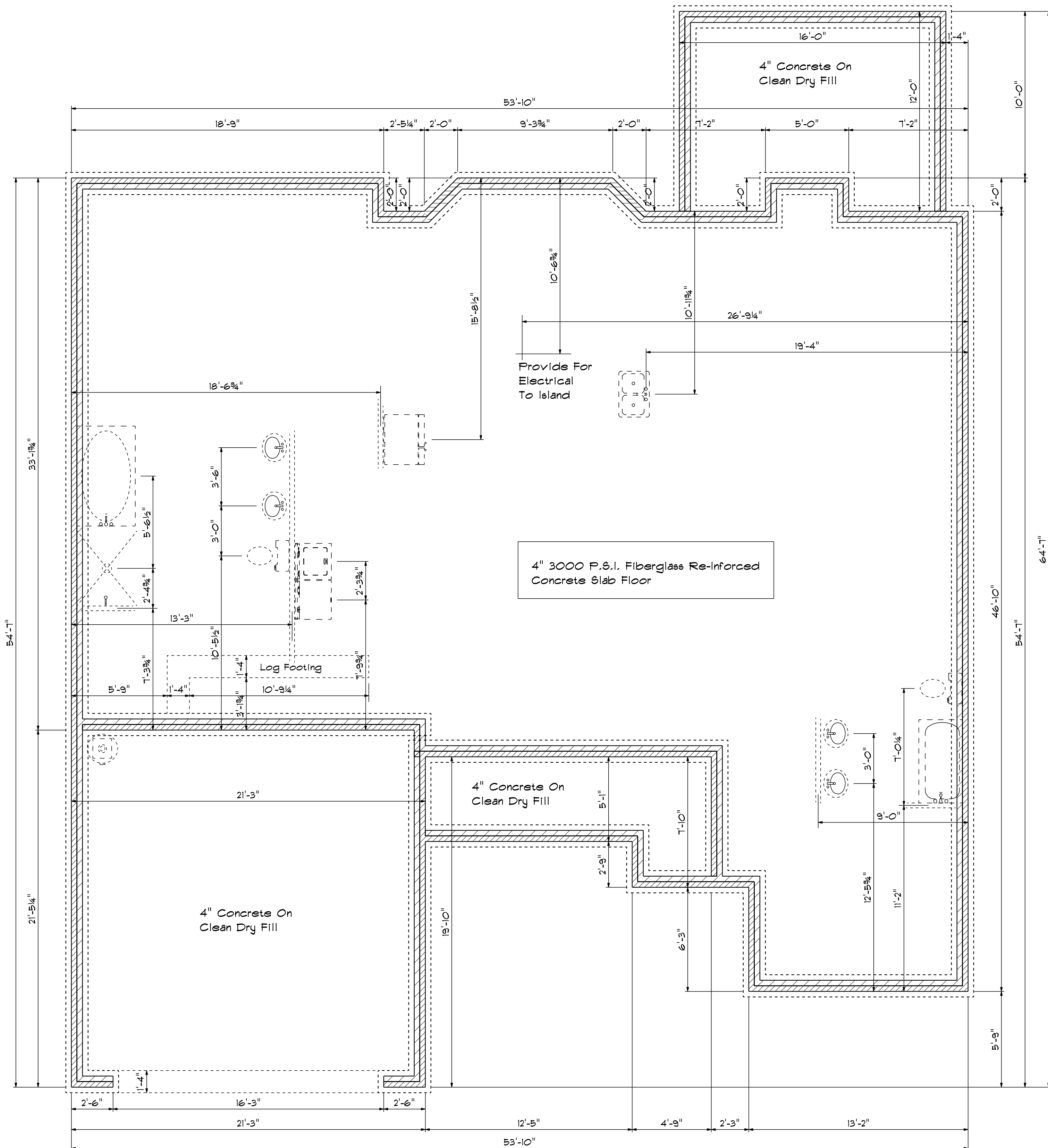


Roof Plan

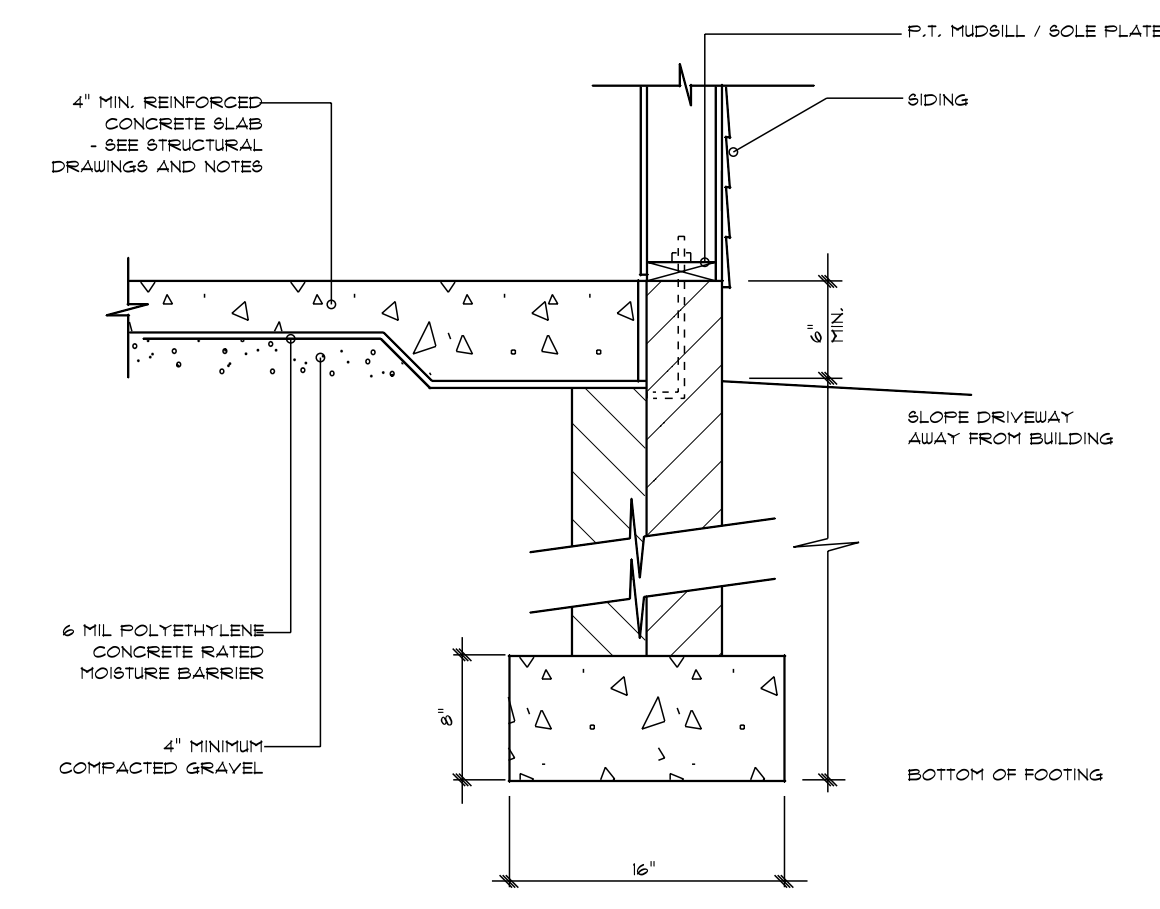
DATE: 12/14/2022
REVISED
DRAWING*
SCALE: 1/4"
DRAWN BY
APPROVED

Plan #11

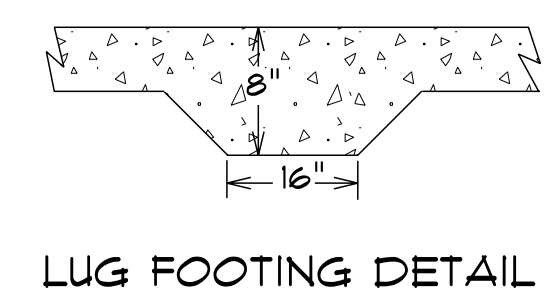




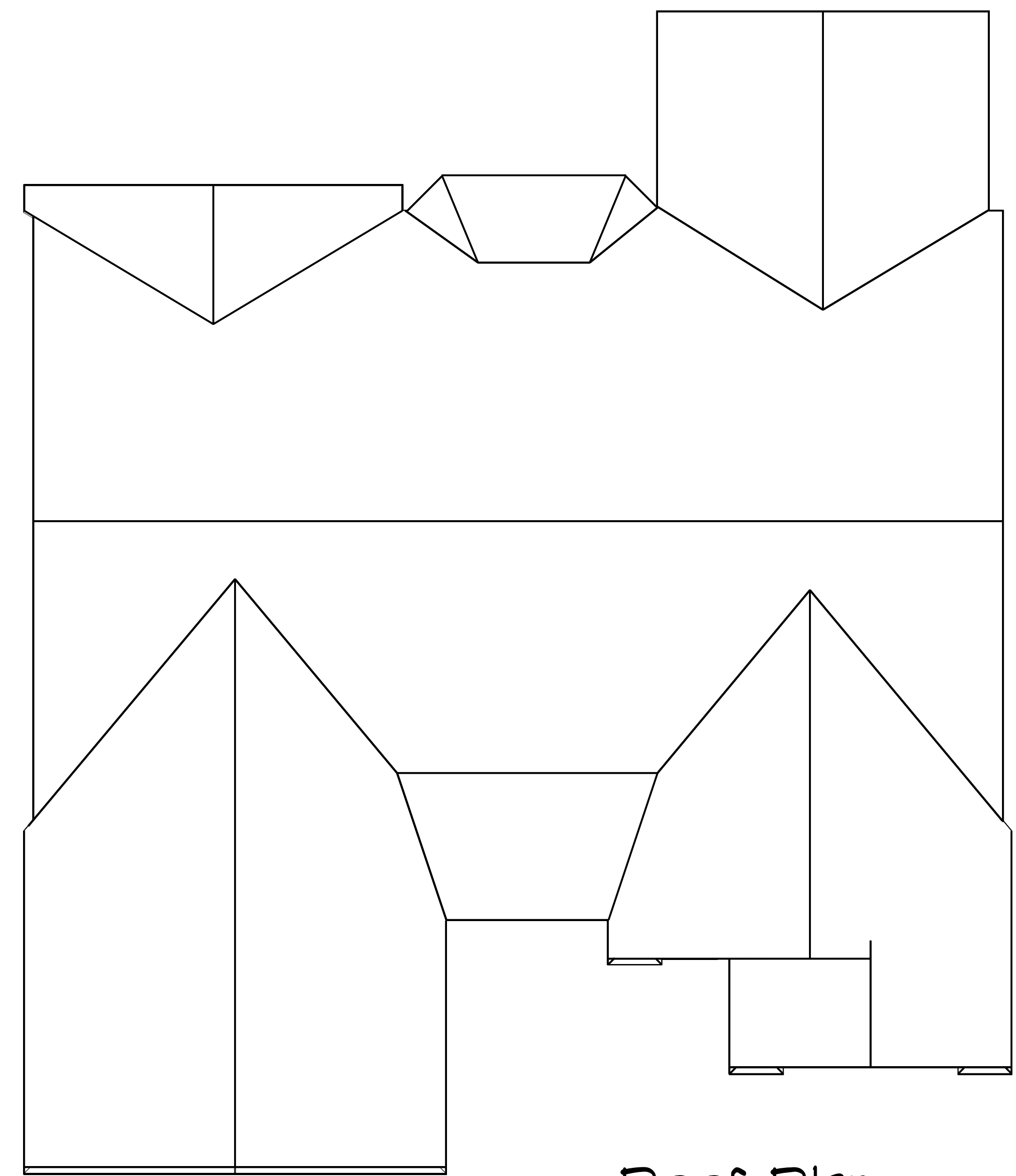
Foundation Plan
Scale: 1/4" = 1'-0"



STEM WALL FOOTING DETAIL



LUG FOOTING DETAIL



Roof Plan

DATE: 12/14/2022
REVISED
DRAWING*

SCALE: 1/4"
DRAWN BY
APPROVED

Plan #11

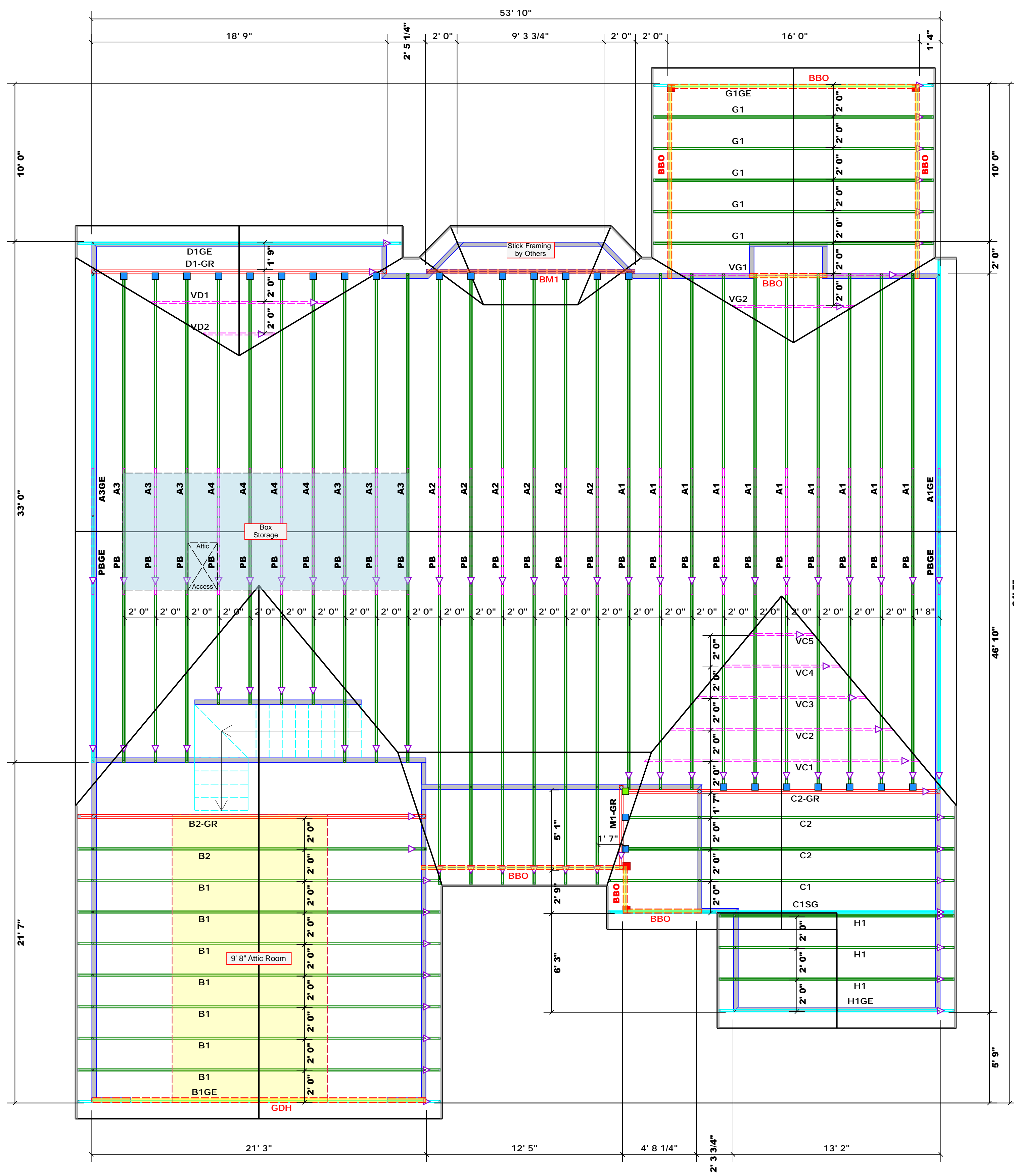


ROOF & FLOOR TRUSSES & BEAMS
 Reilly Road Industrial Park
 Fayetteville, N.C. 28309
 Phone: (910) 864-8787
 Fax: (910) 864-4444

THIS IS A TRUSS PLACEMENT DIAGRAM ONLY. These trusses are designed as individual building components to be incorporated into the building design at the discretion of the building designer. See individual design sheets for each truss design identified on the placement drawing. The building designer is responsible for temporary and permanent bracing of the roof and floor system and for the overall structure. The design of the truss support structure including beams, walls, and columns is the responsibility of the building designer. For general guidance regarding bracing, consult ICCES E-1 and ICCES E-3 provided with the truss delivery package or visit www.comtech.com.

Bearing reactions less than or equal to 3000# are deemed to comply with the prescriptive Code requirements. The contractor shall refer to the attached Tables (derived from the prescriptive Code requirements) to determine the minimum foundation size and number of wood studs required to support reactions greater than 3000# but not greater than 15000#. A registered design professional shall be retained to design the support system for any reaction that exceeds those specified in the attached Tables. A registered design professional shall be retained to design the support system for all reactions that exceed 15000#.

Signature: David Landry
 David Landry

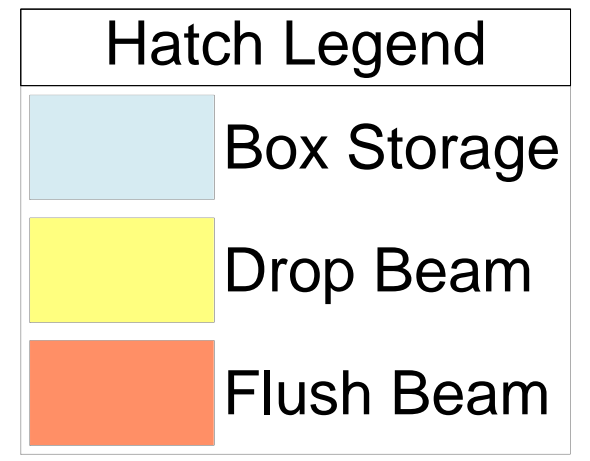


All Walls Shown Are Considered Load Bearing

Roof Area = 3931.6 sq.ft.
 Ridge Line = 143.67 ft.
 Hip Line = 11.94 ft.
 Horiz. OH = 171.72 ft.
 Raked OH = 208.75 ft.
 Decking = 135 sheets

Dimension Notes

1. All exterior wall to wall dimensions are to face of sheathing unless noted otherwise
2. All interior wall dimensions are to face of frame wall unless noted otherwise
3. All exterior wall to truss dimensions are to face of frame wall unless noted otherwise



Connector Information					Nail Information	
Sym	Product	Manuf	Qty	Supported Member	Header	Truss
■	HUS26	USP	25	NA	16d/3-1/2"	16d/3-1/2"
■	THD26-2	USP	1	NA	16d/3-1/2"	10d/3"

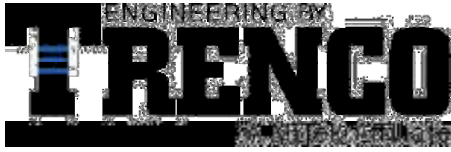
Products				
PlotID	Length	Product	Plies	Net Qty
BM1	14' 0"	1-3/4"x 11-7/8" LVL Kerto-S	2	2
GDH	22' 0"	1-3/4"x 14" LVL Kerto-S	2	2

1 Truss Placement Plan
 Scale: 1/4"=1'

BUILDER	Wellco Contractors	CITY / CO.	Clayton / Johnston
JOB NAME	Lot 135 Hidden Lakes	ADDRESS	70 Sugarberry Place
PLAN	Plan 11	MODEL	Roof
SEAL DATE	N/A	DATE REV.	11/11/22
QUOTE #		DRAWN BY	Jonathan Landry
JOB #	J1122-5625	SALES REP.	Lenny Norris

LOAD CHART FOR JACK STUDS			
BASED ON TABLES 10.18.1 & 10.18.2			
NUMBER OF JACK STUDS REQUIRED BY END OF HEADERS/ROOF			
END-RECTION	REQ. STUDS FOR	END-RECTION	REQ. STUDS FOR
1700	1700	1700	1700
3400	3400	3400	3400
5100	5100	5100	5100
6800	6800	6800	6800
8500	8500	8500	8500
10200	10200	10200	10200
11900	11900	11900	11900
13600	13600	13600	13600
15300	15300	15300	15300
1700	1	2550	1
3400	2	5100	2
5100	3	7650	3
6800	4	10200	4
8500	5	12750	5
10200	6	15300	6

▲ = Indicates Left End of Truss
 (Reference Engineered Truss Drawing)
 Do NOT Erect Truss Backwards



RE: J1122-5625
Lot 135 Hidden Lakes

Trenco
818 Soundside Rd
Edenton, NC 27932

Site Information:

Customer: Wellco Contractors Project Name: J1122-5625
Lot/Block: 135 Model: Plan 11
Address: 70 Sugarberry Place Subdivision: Hidden Lakes
City: Clayton State: NC

General Truss Engineering Criteria & Design Loads (Individual Truss Design Drawings Show Special Loading Conditions):

Design Code: IRC2015/TPI2014 Design Program: MiTek 20/20 8.4
Wind Code: ASCE 7-10 Wind Speed: 150 mph
Roof Load: 40.0 psf Floor Load: N/A psf

This package includes 32 individual, dated Truss Design Drawings and 0 Additional Drawings.

No.	Seal#	Truss Name	Date	No.	Seal#	Truss Name	Date
1	I54232521	A1	9/15/2022	21	I54232541	M1-GR	9/15/2022
2	I54232522	A1GE	9/15/2022	22	I54232542	PB	9/15/2022
3	I54232523	A2	9/15/2022	23	I54232543	PBGE	9/15/2022
4	I54232524	A3	9/15/2022	24	I54232544	VC1	9/15/2022
5	I54232525	A3GE	9/15/2022	25	I54232545	VC2	9/15/2022
6	I54232526	A4	9/15/2022	26	I54232546	VC3	9/15/2022
7	I54232527	B1	9/15/2022	27	I54232547	VC4	9/15/2022
8	I54232528	B1GE	9/15/2022	28	I54232548	VC5	9/15/2022
9	I54232529	B2	9/15/2022	29	I54232549	VD1	9/15/2022
10	I54232530	B2-GR	9/15/2022	30	I54232550	VD2	9/15/2022
11	I54232531	C1	9/15/2022	31	I54232551	VG1	9/15/2022
12	I54232532	C1SG	9/15/2022	32	I54232552	VG2	9/15/2022
13	I54232533	C2	9/15/2022				
14	I54232534	C2-GR	9/15/2022				
15	I54232535	D1-GR	9/15/2022				
16	I54232536	D1GE	9/15/2022				
17	I54232537	G1	9/15/2022				
18	I54232538	G1GE	9/15/2022				
19	I54232539	H1	9/15/2022				
20	I54232540	H1GE	9/15/2022				

The truss drawing(s) referenced above have been prepared by Truss Engineering Co. under my direct supervision based on the parameters provided by Comtech, Inc - Fayetteville.

Truss Design Engineer's Name: Gilbert, Eric

My license renewal date for the state of North Carolina is December 31, 2022.

North Carolina COA: C-0844

IMPORTANT NOTE: The seal on these truss component designs is a certification that the engineer named is licensed in the jurisdiction(s) identified and that the designs comply with ANSI/TPI 1. These designs are based upon parameters shown (e.g., loads, supports, dimensions, shapes and design codes), which were given to TRENCO. Any project specific information included is for TRENCO customers file reference purpose only, and was not taken into account in the preparation of these designs. TRENCO has not independently verified the applicability of the design parameters or the designs for any particular building. Before use, the building designer should verify applicability of design parameters and properly incorporate these designs into the overall building design per ANSI/TPI 1, Chapter 2.



September 15, 2022

Job J1122-5625	Truss A1	Truss Type PIGGYBACK BASE	Qty 10	Ply 1	Lot 135 Hidden Lakes	154232521
-------------------	-------------	------------------------------	-----------	----------	----------------------	-----------

Comtech, Inc, Fayetteville, NC - 28314,

8,430 s Jan 6 2022 MiTek Industries, Inc. Thu Sep 15 14:15:10 2022 Page 1

ID:pR11C9Efk0ZVsLDXhFWTRyeOMT-Hx699uCKkPaLbJcsPvsmrBgxibL1j16KgmisDsydMV?

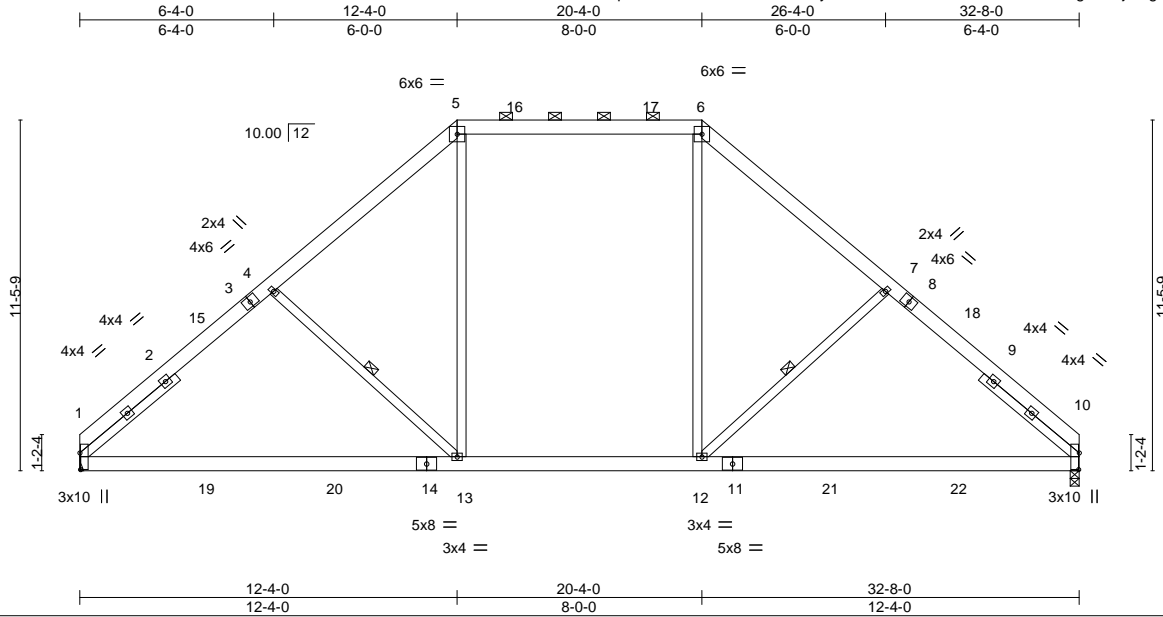


Plate Offsets (X,Y)-- [1:0-6-9,0-0-4], [10:0-6-9,0-0-4]

LOADING (psf)	SPACING-	CSI.	DEFL.	in (loc)	l/defl	L/d	PLATES	GRIP
TCLL 20.0	Plate Grip DOL 1.15	TC 0.32	Vert(LL)	-0.32	1-13	>999	MT20	244/190
TCDL 10.0	Lumber DOL 1.15	BC 0.68	Vert(CT)	-0.49	1-13	>802		
BCLL 0.0 *	Rep Stress Incr YES	WB 0.28	Horz(CT)	0.04	10	n/a		
BCDL 10.0	Code IRC2015/TPI2014	Matrix-S	Wind(LL)	0.33	1-13	>999		
							Weight: 240 lb	FT = 20%

LUMBER-

TOP CHORD 2x6 SP No.1
 BOT CHORD 2x6 SP No.1
 WEBS 2x4 SP No.2
 SLIDER Left 2x4 SP No.2 4-1-10, Right 2x4 SP No.2 4-1-10

BRACING-

TOP CHORD Structural wood sheathing directly applied or 5-11-1 oc purlins, except 2-0-0 oc purlins (6-0-0 max.); 5-6.
 BOT CHORD Rigid ceiling directly applied or 10-0-0 oc bracing.
 WEBS 1 Row at midpt 4-13, 7-12

REACTIONS.

(size) 1=Mechanical, 10=0-3-8
 Max Horz 1=350(LC 8)
 Max Uplift 1=186(LC 12), 10=186(LC 13)
 Max Grav 1=1509(LC 19), 10=1509(LC 20)

FORCES.

(lb) - Max. Comp./Max. Ten. - All forces 250 (lb) or less except when shown.
 TOP CHORD 1-4=-1826/730, 4-5=-1598/731, 5-6=-1184/667, 6-7=-1598/731, 7-10=-1826/730
 BOT CHORD 1-13=-371/1470, 12-13=-111/1209, 10-12=-363/1280
 WEBS 4-13=-484/387, 5-13=-134/645, 6-12=-134/645, 7-12=-484/387

NOTES-

- Unbalanced roof live loads have been considered for this design.
- Wind: ASCE 7-10; Vult=150mph Vasd=119mph; TCCL=6.0psf; BCDL=6.0psf; h=15ft; Cat. II; Exp C; Enclosed; MWFRS (envelope) and C-C Exterior(2) 0-0-0 to 4-4-13, Interior(1) 4-4-13 to 12-4-0, Exterior(2) 12-4-0 to 18-6-11, Interior(1) 18-6-11 to 20-4-0, Exterior(2) 20-4-0 to 26-6-1, Interior(1) 26-6-1 to 32-8-0 zone; C-C for members and forces & MWFRS for reactions shown; Lumber DOL=1.60 plate grip DOL=1.60
- Provide adequate drainage to prevent water ponding.
- This truss has been designed for a 10.0 psf bottom chord live load nonconcurrent with any other live loads.
- * This truss has been designed for a live load of 30.0psf on the bottom chord in all areas where a rectangle 3-6-0 tall by 2-0-0 wide will fit between the bottom chord and any other members, with BCDL = 10.0psf.
- Refer to girder(s) for truss to truss connections.
- Provide mechanical connection (by others) of truss to bearing plate capable of withstanding 100 lb uplift at joint(s) except (jt=lb) 1=186, 10=186.
- Graphical purlin representation does not depict the size or the orientation of the purlin along the top and/or bottom chord.



September 15, 2022

WARNING - Verify design parameters and READ NOTES ON THIS AND INCLUDED MITEK REFERENCE PAGE MII-7473 rev. 5/19/2020 BEFORE USE.

Design valid for use only with MiTek® connectors. This design is based only upon parameters shown, and is for an individual building component, not a truss system. Before use, the building designer must verify the applicability of design parameters and properly incorporate this design into the overall building design. Bracing indicated is to prevent buckling of individual truss web and/or chord members only. Additional temporary and permanent bracing is always required for stability and to prevent collapse with possible personal injury and property damage. For general guidance regarding the fabrication, storage, delivery, erection and bracing of trusses and truss systems, see ANSII/TPI1 Quality Criteria, DSB-89 and BCSI Building Component Safety Information available from Truss Plate Institute, 2670 Crain Highway, Suite 203 Waldorf, MD 20601



818 Soundside Road
 Edenton, NC 27932

Job J1122-5625	Truss A1GE	Truss Type PIGGYBACK BASE SUPPO	Qty 1	Ply 1	Lot 135 Hidden Lakes Job Reference (optional)	154232522
-------------------	---------------	------------------------------------	----------	----------	--	-----------

Comtech, Inc, Fayetteville, NC - 28314,

8,430 s Jan 6 2022 MiTek Industries, Inc. Thu Sep 15 14:15:12 2022 Page 1

ID:pR1C9Effk0ZVLSDXhFWTRyeOMT-DJDvaZeaG0q3qcmEXKuEwclJ6OBEbjd84ByHkydMUz

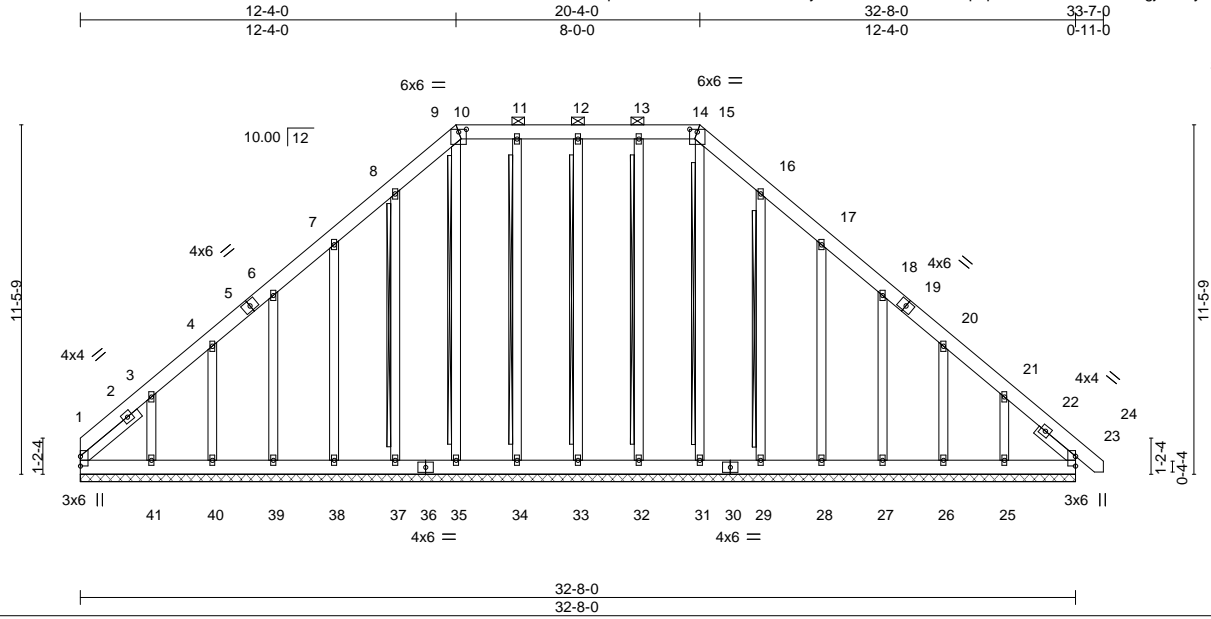


Plate Offsets (X,Y)--	[10:0-3-0,0-1-1], [14:0-3-0,0-1-1]
-----------------------	------------------------------------

LOADING (psf)	SPACING-	CSI.	DEFL.	in (loc)	l/defl	L/d	PLATES	GRIP
TCLL 20.0	Plate Grip DOL 1.15	TC 0.07	Vert(LL) 0.00	23	n/r	120	MT20	244/190
TCDL 10.0	Lumber DOL 1.15	BC 0.05	Vert(CT) 0.00	23	n/r	120		
BCLL 0.0 *	Rep Stress Incr YES	WB 0.21	Horz(CT) 0.01	23	n/a	n/a		
BCDL 10.0	Code IRC2015/TPI2014	Matrix-S						
							Weight: 341 lb	FT = 20%

LUMBER-
TOP CHORD 2x6 SP No.1
BOT CHORD 2x6 SP No.1
OTHERS 2x4 SP No.2
SLIDER Left 2x4 SP No.2 2-6-0, Right 2x4 SP No.2 1-7-9

BRACING-
TOP CHORD Structural wood sheathing directly applied or 6-0-0 oc purlins, except 2-0-0 oc purlins (6-0-0 max.): 10-14.
BOT CHORD Rigid ceiling directly applied or 10-0-0 oc bracing.
WEBS T-Brace: 2x4 SPF No.2 - 15-31, 13-32, 12-33, 11-34, 9-35, 8-37, 16-29
Fasten (2X) T and I braces to narrow edge of web with 10d (0.131"x3") nails, 6in o.c., with 3in minimum end distance. Brace must cover 90% of web length.

REACTIONS. All bearings 32-8-0.
(lb) - Max Horz 1=439(LC 9)
Max Uplift All uplift 100 lb or less at joint(s) 32, 33, 34, 35, 23 except 1=245(LC 10), 37=138(LC 12), 38=175(LC 12), 39=165(LC 12), 40=145(LC 12), 41=329(LC 12), 29=128(LC 13), 28=177(LC 13), 27=168(LC 13), 26=132(LC 13), 25=316(LC 13)
Max Grav All reactions 250 lb or less at joint(s) 31, 32, 33, 34, 35, 37, 38, 39, 40, 29, 28, 27, 26, 23 except 1=351(LC 12), 41=304(LC 19), 25=271(LC 20)


FORCES. (lb) - Max. Comp./Max. Ten. - All forces 250 (lb) or less except when shown.
TOP CHORD 1-3=-511/407, 3-4=-295/291, 4-6=-254/268, 6-7=-216/280, 7-8=-292/364, 8-9=-377/427, 9-10=-304/356, 10-11=-333/387, 11-12=-333/387, 12-13=-333/387, 13-14=-333/387, 14-15=-304/356, 15-16=-377/427, 16-17=-292/322, 21-23=-361/218
BOT CHORD 1-41=-206/326, 40-41=-206/326, 39-40=-206/326, 38-39=-206/326, 37-38=-206/326, 35-37=-206/326, 34-35=-206/326, 33-34=-206/326, 32-33=-206/326, 31-32=-206/326, 29-31=-206/326, 28-29=-206/326, 27-28=-206/326, 26-27=-206/326, 25-26=-206/326, 23-25=-206/326
WEBS 3-41=-295/334, 21-25=-301/307

NOTES-
1) Unbalanced roof live loads have been considered for this design.
2) Wind: ASCE 7-10; Vult=150mph Vasd=119mph; TC DL=6.0psf; BCDL=6.0psf; h=15ft; Cat. II; Exp C; Enclosed; MWFRS (envelope) gable end zone and C-C Exterior(2) zone; C-C for members and forces & MWFRS for reactions shown; Lumber DOL=1.60 plate grip DOL=1.60
3) Truss designed for wind loads in the plane of the truss only. For studs exposed to wind (normal to the face), see Standard Industry Gable End Details as applicable, or consult qualified building designer as per ANSI/TPI 1.
4) Provide adequate drainage to prevent water ponding.
5) All plates are 2x4 MT20 unless otherwise indicated.
6) Gable requires continuous bottom chord bearing.
7) Gable studs spaced at 2-0-0 oc.
8) This truss has been designed for a 10.0 psf bottom chord live load nonconcurrent with any other live loads.
9) * This truss has been designed for a live load of 30.0psf on the bottom chord in all areas where a rectangle 3-6-0 tall by 2-0-0 wide
Continued on the bottom chord and any other members.



September 15, 2022

WARNING - Verify design parameters and READ NOTES ON THIS AND INCLUDED MITEK REFERENCE PAGE MII-7473 rev. 5/19/2020 BEFORE USE.
Design valid for use only with MiTek® connectors. This design is based only upon parameters shown, and is for an individual building component, not a truss system. Before use, the building designer must verify the applicability of design parameters and properly incorporate this design into the overall building design. Bracing indicated is to prevent buckling of individual truss web and/or chord members only. Additional temporary and permanent bracing is always required for stability and to prevent collapse with possible personal injury and property damage. For general guidance regarding the fabrication, storage, delivery, erection and bracing of trusses and truss systems, see ANSI/TPI1 Quality Criteria, DSB-89 and BCSI Building Component Safety Information available from Truss Plate Institute, 2670 Crain Highway, Suite 203 Waldorf, MD 20601



818 Soundside Road
Edenton, NC 27932

Job	Truss	Truss Type	Qty	Ply	Lot 135 Hidden Lakes	I54232522
J1122-5625	A1GE	PIGGYBACK BASE SUPPO	1	1		
						Job Reference (optional)

Comtech, Inc, Fayetteville, NC - 28314,

8,430 s Jan 6 2022 MiTek Industries, Inc. Thu Sep 15 14:15:13 2022 Page 2

ID:pR11C9Efk0ZVsLDXhFWTRyeOMT-iVnlovEC1KywSmLR41PTSqIUsOXTw7zmMkxWpBydMUy

NOTES-

- 10) Provide mechanical connection (by others) of truss to bearing plate capable of withstanding 100 lb uplift at joint(s) 32, 33, 34, 35, 23 except (jt=lb) 1=245, 37=138, 38=175, 39=165, 40=145, 41=329, 29=128, 28=177, 27=168, 26=132, 25=316.
- 11) Graphical purlin representation does not depict the size or the orientation of the purlin along the top and/or bottom chord.
- 12) Warning: Additional permanent and stability bracing for truss system (not part of this component design) is always required.

WARNING - Verify design parameters and READ NOTES ON THIS AND INCLUDED MITEK REFERENCE PAGE MII-7473 rev. 5/19/2020 BEFORE USE.

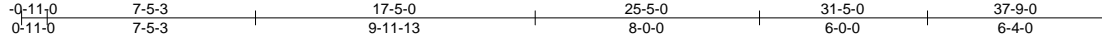
Design valid for use only with MiTek® connectors. This design is based only upon parameters shown, and is for an individual building component, not a truss system. Before use, the building designer must verify the applicability of design parameters and properly incorporate this design into the overall building design. Bracing indicated is to prevent buckling of individual truss web and/or chord members only. Additional temporary and permanent bracing is always required for stability and to prevent collapse with possible personal injury and property damage. For general guidance regarding the fabrication, storage, delivery, erection and bracing of trusses and truss systems, see **ANSI/TPI1 Quality Criteria, DSB-89 and BCSI Building Component Safety Information** available from Truss Plate Institute, 2670 Crain Highway, Suite 203 Waldorf, MD 20601



818 Soundside Road
Edenton, NC 27932

Job J1122-5625	Truss A2	Truss Type PIGGYBACK BASE	Qty 6	Ply 1	Lot 135 Hidden Lakes	I54232523
-------------------	-------------	------------------------------	----------	----------	----------------------	-----------

Comtech, Inc, Fayetteville, NC - 28314, 8,430 s Jan 6 2022 MiTek Industries, Inc. Thu Sep 15 14:15:14 2022 Page 1
 ID:pR11C9Efk0ZVsLDXhFWTRyeOMT-AiLg?FFrod5n3wwdelwi?1qVLCi0fS2wbOg3MdyMUx



Scale = 1:77.4

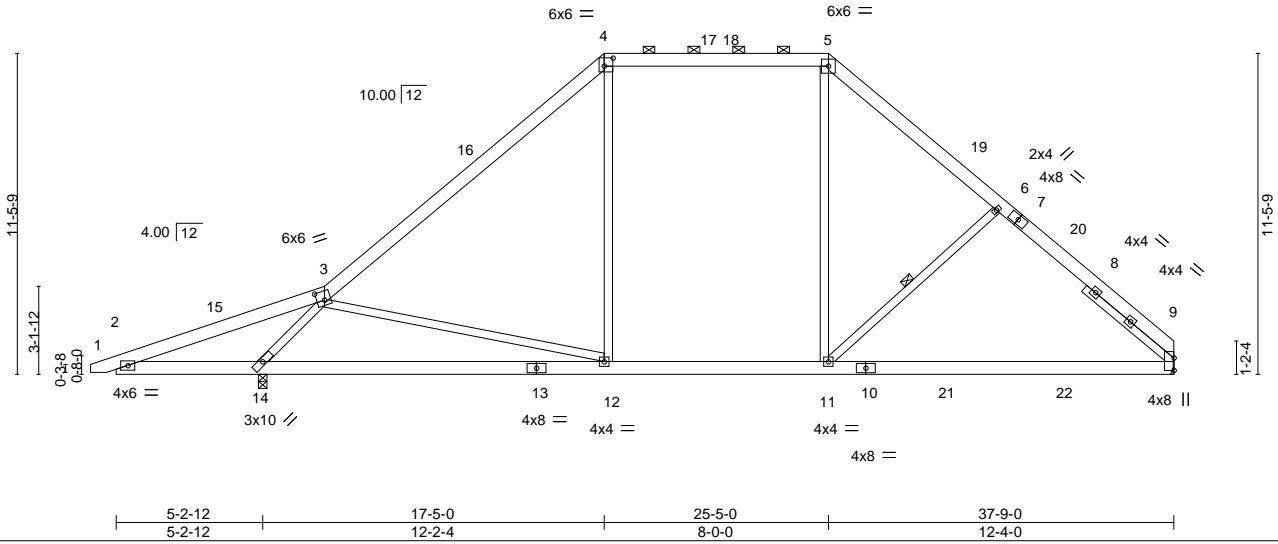


Plate Offsets (X,Y)--	[3:0-3-4,0-3-12], [4:0-3-12,0-3-8]
-----------------------	------------------------------------

LOADING (psf)	SPACING-	CSI.	DEFL.	in (loc)	l/defl	L/d	PLATES	GRIP	
TCLL 20.0	Plate Grip DOL 1.15	TC 0.72	Vert(LL)	-0.47	9-11	>845	360	MT20	244/190
TCDL 10.0	Lumber DOL 1.15	BC 0.74	Vert(CT)	-0.66	9-11	>598	240		
BCLL 0.0 *	Rep Stress Incr YES	WB 0.73	Horz(CT)	0.03	9	n/a	n/a		
BCDL 10.0	Code IRC2015/TPI2014	Matrix-S	Wind(LL)	0.43	9-11	>920	240		
								Weight: 267 lb	FT = 20%

LUMBER-	BRACING-
TOP CHORD 2x6 SP No.1	TOP CHORD Structural wood sheathing directly applied or 4-0-9 oc purlins, except
BOT CHORD 2x6 SP No.1	2-0-0 oc purlins (6-0-0 max.): 4-5.
WEBS 2x4 SP No.2	BOT CHORD Rigid ceiling directly applied or 10-0-0 oc bracing, Except:
SLIDER Right 2x4 SP No.2 4-1-10	6-0-0 oc bracing: 2-14.
	WEBS 1 Row at midpt 6-11

REACTIONS. (size) 9=Mechanical, 14=0-3-8
 Max Horz 14=356(LC 9)
 Max Uplift 9=-185(LC 13), 14=-308(LC 12)
 Max Grav 9=1450(LC 20), 14=1786(LC 1)

FORCES. (lb) - Max. Comp./Max. Ten. - All forces 250 (lb) or less except when shown.
 TOP CHORD 2-3=-1021/712, 3-4=-1523/524, 4-5=-1158/603, 5-6=-1485/657, 6-9=-1717/658
 BOT CHORD 2-14=-596/1024, 12-14=-374/1262, 11-12=-111/1128, 9-11=-294/1209
 WEBS 3-14=-2106/1400, 4-12=0/445, 5-11=-133/632, 6-11=-492/388, 3-12=-376/325

- NOTES-**
- Unbalanced roof live loads have been considered for this design.
 - Wind: ASCE 7-10; Vult=150mph Vasd=119mph; TCCL=6.0psf; BCDL=6.0psf; h=15ft; Cat. II; Exp C; Enclosed; MWFRS (envelope) and C-C Exterior(2) -0-7-9 to 3-9-4, Interior(1) 3-9-4 to 17-5-0, Exterior(2) 17-5-0 to 21-9-13, Interior(1) 21-9-13 to 25-5-0, Exterior(2) 25-5-0 to 29-9-13, Interior(1) 29-9-13 to 37-9-0 zone; cantilever left exposed ;C-C for members and forces & MWFRS for reactions shown; Lumber DOL=1.60 plate grip DOL=1.60
 - Provide adequate drainage to prevent water ponding.
 - This truss has been designed for a 10.0 psf bottom chord live load nonconcurrent with any other live loads.
 - * This truss has been designed for a live load of 30.0psf on the bottom chord in all areas where a rectangle 3-6-0 tall by 2-0-0 wide will fit between the bottom chord and any other members, with BCDL = 10.0psf.
 - Refer to girder(s) for truss to truss connections.
 - Provide mechanical connection (by others) of truss to bearing plate capable of withstanding 100 lb uplift at joint(s) except (jt=lb) 9=185, 14=308.
 - Graphical purlin representation does not depict the size or the orientation of the purlin along the top and/or bottom chord.



September 15, 2022

WARNING - Verify design parameters and READ NOTES ON THIS AND INCLUDED MITEK REFERENCE PAGE MII-7473 rev. 5/19/2020 BEFORE USE.
 Design valid for use only with MiTek® connectors. This design is based only upon parameters shown, and is for an individual building component, not a truss system. Before use, the building designer must verify the applicability of design parameters and properly incorporate this design into the overall building design. Bracing indicated is to prevent buckling of individual truss web and/or chord members only. Additional temporary and permanent bracing is always required for stability and to prevent collapse with possible personal injury and property damage. For general guidance regarding the fabrication, storage, delivery, erection and bracing of trusses and truss systems, see ANSII/TPI1 Quality Criteria, DSB-89 and BCSI Building Component Safety Information available from Truss Plate Institute, 2670 Crain Highway, Suite 203 Waldorf, MD 20601

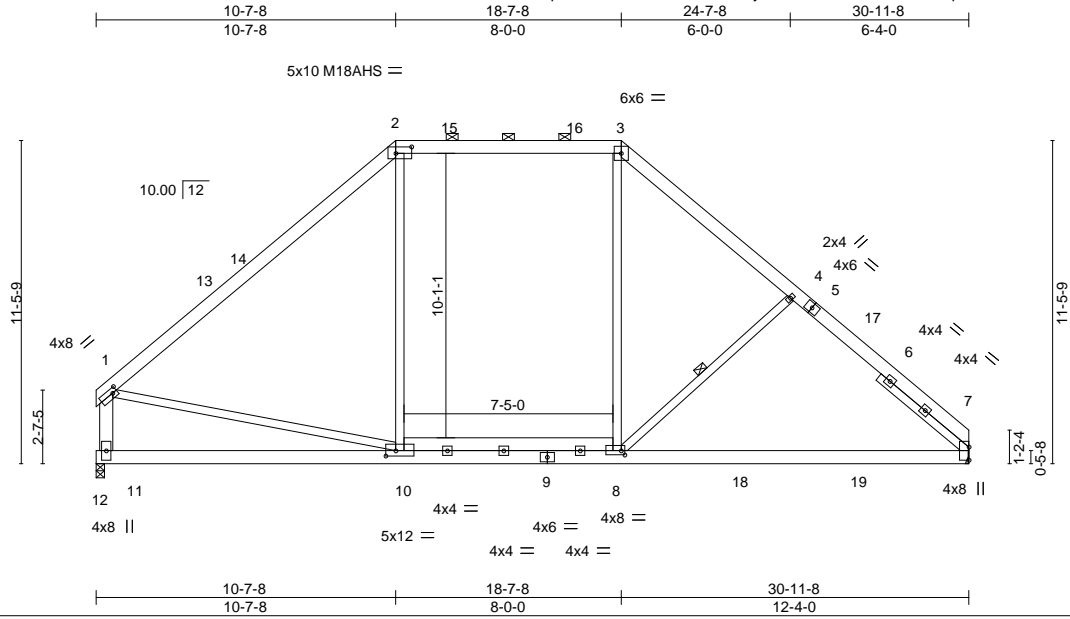
818 Soundside Road
Edenton, NC 27932

Job J1122-5625	Truss A3	Truss Type PIGGYBACK BASE	Qty 6	Ply 1	Lot 135 Hidden Lakes	154232524
-------------------	-------------	------------------------------	----------	----------	----------------------	-----------

Comtech, Inc, Fayetteville, NC - 28314,

8,430 s Jan 6 2022 MiTek Industries, Inc. Thu Sep 15 14:15:15 2022 Page 1

ID:pR1H1C9Effk0ZVsLDXhFWTRyeOMT-euv2DbGTzXDeh4VpCSSxYFNhc2sOyf3q2Qcu3ydMUw



Scale = 1:76.9

Plate Offsets (X,Y)--	[1:0-2-0,0-2-0], [2:0-6-12,0-2-12], [8:0-1-8,0-1-12], [10:0-4-4,0-2-4]
-----------------------	--

LOADING (psf)	SPACING-	CSI.	DEFL.	in (loc)	l/defl	L/d	PLATES	GRIP
TCLL 20.0	Plate Grip DOL 1.15	TC 0.69	Vert(LL)	-0.51	7-8	>727	MT20	244/190
TCDL 10.0	Lumber DOL 1.15	BC 0.76	Vert(CT)	-0.73	7-8	>504	M18AHS	186/179
BCLL 0.0 *	Rep Stress Incr YES	WB 0.52	Horz(CT)	0.02	7	n/a		
BCDL 10.0	Code IRC2015/TPI2014	Matrix-S	Wind(LL)	0.37	7-8	>991		
							Weight: 250 lb	FT = 20%

LUMBER-	BRACING-
TOP CHORD 2x6 SP No.1	TOP CHORD Structural wood sheathing directly applied or 4-7-8 oc purlins, except end verticals, and 2-0-0 oc purlins (6-0-0 max.): 2-3.
BOT CHORD 2x6 SP No.1	BOT CHORD Rigid ceiling directly applied or 10-0-0 oc bracing, Except: 6-0-0 oc bracing: 10-11.
WEBS 2x4 SP No.2 *Except* 1-11: 2x6 SP No.1	WEBS 1 Row at midpt 4-8
SLIDER Right 2x4 SP No.2 4-1-10	

REACTIONS. (size) 11=0-3-8, 7=Mechanical
 Max Horz 11=-347(LC 8)
 Max Uplift 11=-157(LC 12), 7=-176(LC 13)
 Max Grav 11=1301(LC 2), 7=1394(LC 20)

FORCES. (lb) - Max. Comp./Max. Ten. - All forces 250 (lb) or less except when shown.
 TOP CHORD 1-2=-1428/572, 2-3=-1066/623, 3-4=-1394/675, 4-7=-1629/675, 1-11=-1259/572
 BOT CHORD 10-11=-421/549, 8-10=-113/1029, 7-8=-326/1149
 WEBS 1-10=-263/1036, 2-10=0/374, 3-8=-135/596, 4-8=-521/397

- NOTES-**
- Unbalanced roof live loads have been considered for this design.
 - Wind: ASCE 7-10; Vult=150mph Vasd=119mph; TCCL=6.0psf; BCDL=6.0psf; h=15ft; Cat. II; Exp C; Enclosed; MWFRS (envelope) and C-C Exterior(2) 0-4-4 to 4-9-1, Interior(1) 4-9-1 to 10-7-8, Exterior(2) 10-7-8 to 16-10-3, Interior(1) 16-10-3 to 18-7-8, Exterior(2) 18-7-8 to 24-9-9, Interior(1) 24-9-9 to 30-11-8 zone; C-C for members and forces & MWFRS for reactions shown; Lumber DOL=1.60 plate grip DOL=1.60
 - Provide adequate drainage to prevent water ponding.
 - All plates are MT20 plates unless otherwise indicated.
 - This truss has been designed for a 10.0 psf bottom chord live load nonconcurrent with any other live loads.
 - * This truss has been designed for a live load of 30.0psf on the bottom chord in all areas where a rectangle 3-6-0 tall by 2-0-0 wide will fit between the bottom chord and any other members, with BCDL = 10.0psf.
 - Refer to girder(s) for truss to truss connections.
 - Provide mechanical connection (by others) of truss to bearing plate capable of withstanding 100 lb uplift at joint(s) except (jt=lb) 11=157, 7=176.
 - Graphical purlin representation does not depict the size or the orientation of the purlin along the top and/or bottom chord.



September 15, 2022

WARNING - Verify design parameters and READ NOTES ON THIS AND INCLUDED MITEK REFERENCE PAGE MII-7473 rev. 5/19/2020 BEFORE USE.
 Design valid for use only with MiTek® connectors. This design is based only upon parameters shown, and is for an individual building component, not a truss system. Before use, the building designer must verify the applicability of design parameters and properly incorporate this design into the overall building design. Bracing indicated is to prevent buckling of individual truss web and/or chord members only. Additional temporary and permanent bracing is always required for stability and to prevent collapse with possible personal injury and property damage. For general guidance regarding the fabrication, storage, delivery, erection and bracing of trusses and truss systems, see **ANSI/TPI1 Quality Criteria, DSB-89 and BCSI Building Component Safety Information** available from Truss Plate Institute, 2670 Crain Highway, Suite 203 Waldorf, MD 20601

TRENCO
 818 Soundside Road
 Edenton, NC 27932

Job J1122-5625	Truss A3GE	Truss Type PIGGYBACK BASE SUPPO	Qty 1	Ply 1	Lot 135 Hidden Lakes	154232525
-------------------	---------------	------------------------------------	----------	----------	----------------------	-----------

Comtech, Inc, Fayetteville, NC - 28314, 8.430 s Jan 6 2022 MiTek Industries, Inc. Thu Sep 15 14:15:16 2022 Page 1
 ID:pRH1C9Efk0ZVsLDXhFWTRyeOMT-64TQXxH5KFLVJE40mAzA4Sv?5?ZB7UId2i9AQWydMUv

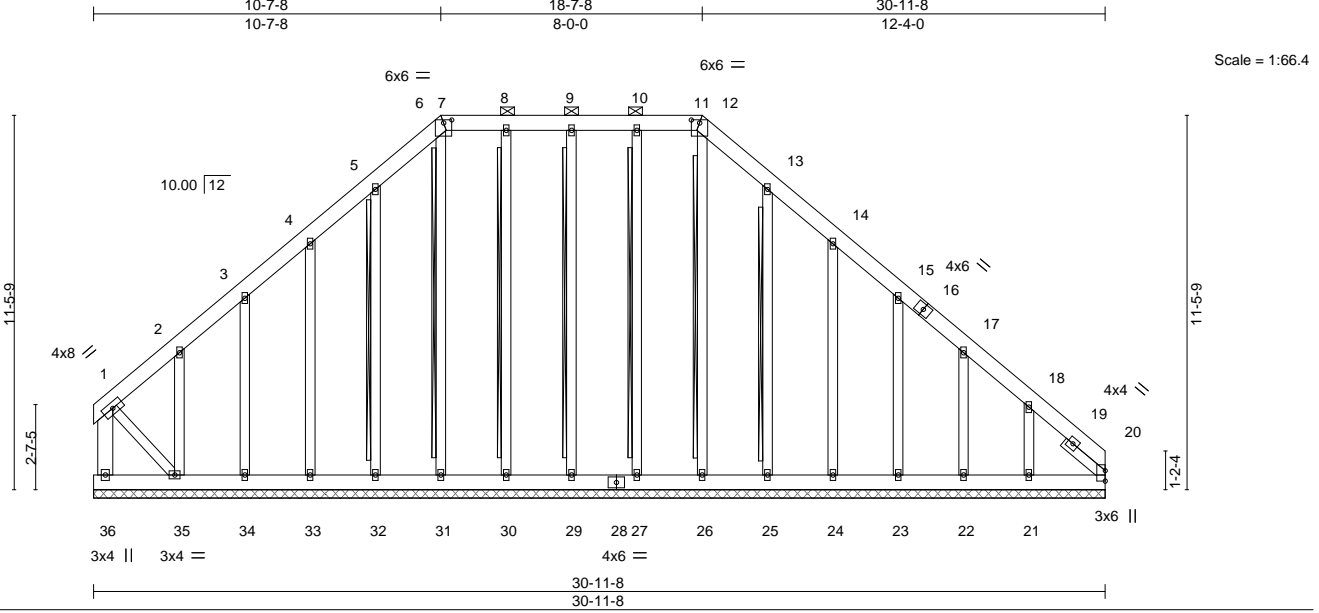


Plate Offsets (X,Y)-- [7:0-3-0,0-1-1], [11:0-3-0,0-1-1]

LOADING (psf)	SPACING-	CS.I.	DEFL.	in (loc)	I/defl	L/d	PLATES	GRIP
TCLL 20.0	2-0-0	TC 0.07	Vert(LL)	n/a	-	n/a	MT20	244/190
TCDL 10.0	Plate Grip DOL 1.15	BC 0.05	Vert(CT)	n/a	-	n/a		
BCLL 0.0 *	Lumber DOL 1.15	WB 0.21	Horz(CT)	0.01	20	n/a		
BCDL 10.0	Rep Stress Incr YES	Matrix-S						
	Code IRC2015/TPI2014						Weight: 331 lb	FT = 20%

LUMBER-
 TOP CHORD 2x6 SP No.1
 BOT CHORD 2x6 SP No.1
 WEBS 2x6 SP No.1 *Except*
 1-35: 2x4 SP No.2
 OTHERS 2x4 SP No.2
 SLIDER Right 2x4 SP No.2 1-7-9

BRACING-
 TOP CHORD Structural wood sheathing directly applied or 6-0-0 oc purlins, except end verticals, and 2-0-0 oc purlins (6-0-0 max.): 7-11.
 BOT CHORD Rigid ceiling directly applied or 10-0-0 oc bracing.
 WEBS T-Brace: 2x4 SPF No.2 - 12-26, 10-27, 9-29, 8-30, 6-31, 5-32, 13-25
 Fasten (2X) T and I braces to narrow edge of web with 10d (0.131"x3") nails, 6in o.c., with 3in minimum end distance. Brace must cover 90% of web length.

REACTIONS. All bearings 30-11-8.
 (lb) - Max Horz 36=-428(LC 8)
 Max Uplift All uplift 100 lb or less at joint(s) 27, 29, 30, 31 except 36=-334(LC 10), 32=-136(LC 12), 33=-176(LC 12), 34=-160(LC 12), 35=-453(LC 12), 25=-131(LC 13), 24=-177(LC 13), 23=-168(LC 13), 22=-130(LC 13), 21=-331(LC 13), 20=-135(LC 11)
 Max Grav All reactions 250 lb or less at joint(s) 26, 27, 29, 30, 31, 32, 33, 34, 25, 24, 23, 22 except 36=412(LC 9), 35=414(LC 10), 21=291(LC 20), 20=284(LC 13)

FORCES. (lb) - Max. Comp./Max. Ten. - All forces 250 (lb) or less except when shown.
 TOP CHORD 1-36=-393/347, 1-2=-277/274, 3-4=-182/255, 4-5=-283/338, 5-6=-369/423, 6-7=-299/353, 7-8=-327/384, 8-9=-327/384, 9-10=-327/384, 10-11=-327/384, 11-12=-299/353, 12-13=-369/423, 13-14=-283/318, 18-20=-397/255
 BOT CHORD 35-36=-388/422, 34-35=-211/346, 33-34=-211/346, 32-33=-211/346, 31-32=-211/346, 30-31=-211/346, 29-30=-211/346, 27-29=-211/346, 26-27=-211/346, 25-26=-211/346, 24-25=-211/346, 23-24=-211/346, 22-23=-211/346, 21-22=-211/346, 20-21=-211/346
 WEBS 18-21=-305/324, 1-35=-310/361

- NOTES-**
- Unbalanced roof live loads have been considered for this design.
 - Wind: ASCE 7-10; Vult=150mph Vasd=119mph; TC DL=6.0psf; BCDL=6.0psf; h=15ft; Cat. II; Exp C; Enclosed; MWFRS (envelope) gable end zone and C-C Exterior(2) zone; C-C for members and forces & MWFRS for reactions shown; Lumber DOL=1.60 plate grip DOL=1.60
 - Truss designed for wind loads in the plane of the truss only. For studs exposed to wind (normal to the face), see Standard Industry Gable End Details as applicable, or consult qualified building designer as per ANSI/TPI 1.
 - Provide adequate drainage to prevent water ponding.
 - All plates are 2x4 MT20 unless otherwise indicated.
 - Gable requires continuous bottom chord bearing.
 - Gable studs spaced at 2-0-0 oc.
 - This truss has been designed for a 10.0 psf bottom chord live load nonconcurrent with any other live loads.
 - * This truss has been designed for a live load of 30.0psf on the bottom chord in all areas where a rectangle 3-6-0 tall by 2-0-0 wide



September 15, 2022

WARNING - Verify design parameters and READ NOTES ON THIS AND INCLUDED MITEK REFERENCE PAGE MII-7473 rev. 5/19/2020 BEFORE USE.
 Design valid for use only with MiTek® connectors. This design is based only upon parameters shown, and is for an individual building component, not a truss system. Before use, the building designer must verify the applicability of design parameters and properly incorporate this design into the overall building design. Bracing indicated is to prevent buckling of individual truss web and/or chord members only. Additional temporary and permanent bracing is always required for stability and to prevent collapse with possible personal injury and property damage. For general guidance regarding the fabrication, storage, delivery, erection and bracing of trusses and truss systems, see ANSI/TPI1 Quality Criteria, DSB-89 and BCSI Building Component Safety Information available from Truss Plate Institute, 2670 Crain Highway, Suite 203 Waldorf, MD 20601

TRENCO
 818 Soundside Road
 Edenton, NC 27932

Job	Truss	Truss Type	Qty	Ply	Lot 135 Hidden Lakes	I54232525
J1122-5625	A3GE	PIGGYBACK BASE SUPPO	1	1	Job Reference (optional)	

Comtech, Inc, Fayetteville, NC - 28314,

8,430 s Jan 6 2022 MiTek Industries, Inc. Thu Sep 15 14:15:17 2022 Page 2
 ID:pR11C9Effk0ZVsLDXhFWTRyeOMT-aH1odHHj5YTMwNeCJtUPdgSArPuQsxyMHMvjydydMUu

NOTES-

- 10) Provide mechanical connection (by others) of truss to bearing plate capable of withstanding 100 lb uplift at joint(s) 27, 29, 30, 31 except (jt=lb) 36=334, 32=136, 33=176, 34=160, 35=453, 25=131, 24=177, 23=168, 22=130, 21=331, 20=135.
- 11) Graphical purlin representation does not depict the size or the orientation of the purlin along the top and/or bottom chord.
- 12) Warning: Additional permanent and stability bracing for truss system (not part of this component design) is always required.

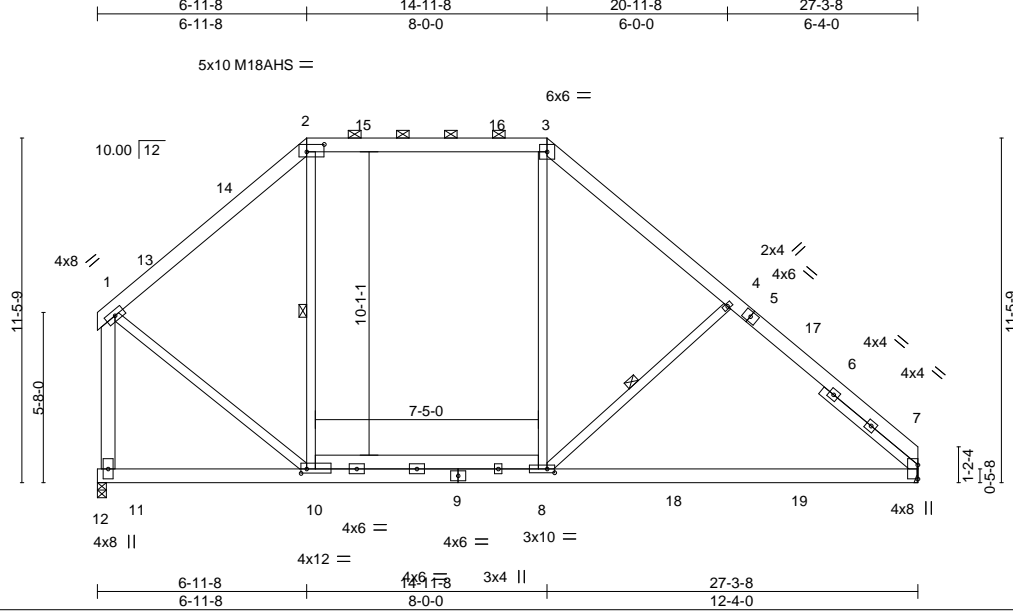
WARNING - Verify design parameters and READ NOTES ON THIS AND INCLUDED MITEK REFERENCE PAGE MII-7473 rev. 5/19/2020 BEFORE USE.
 Design valid for use only with MiTek® connectors. This design is based only upon parameters shown, and is for an individual building component, not a truss system. Before use, the building designer must verify the applicability of design parameters and properly incorporate this design into the overall building design. Bracing indicated is to prevent buckling of individual truss web and/or chord members only. Additional temporary and permanent bracing is always required for stability and to prevent collapse with possible personal injury and property damage. For general guidance regarding the fabrication, storage, delivery, erection and bracing of trusses and truss systems, see **ANSI/TPI1 Quality Criteria, DSB-89 and BCSI Building Component Safety Information** available from Truss Plate Institute, 2670 Crain Highway, Suite 203 Waldorf, MD 20601



818 Soundside Road
 Edenton, NC 27932

Job J1122-5625	Truss A4	Truss Type PIGGYBACK BASE	Qty 4	Ply 1	Lot 135 Hidden Lakes	154232526
-------------------	-------------	------------------------------	----------	----------	----------------------	-----------

Comtech, Inc, Fayetteville, NC - 28314, 8,430 s Jan 6 2022 MiTek Industries, Inc. Thu Sep 15 14:15:18 2022 Page 1
 ID:pRI1C9Efffk0ZVsLDXhFWTRyeOMT-2TbBrdLssbDYXDOtb?e9t?Gbp2ebMLVW?eHVOydmUt



Scale = 1:72.1

Plate Offsets (X,Y)-- [2:0-7-0,0-3-0], [8:0-3-0,0-1-8], [10:0-2-4,0-1-12]

LOADING (psf)	SPACING-	CSI.	DEFL.	in (loc)	I/defl	L/d	PLATES	GRIP
TCLL 20.0	Plate Grip DOL 1.15	TC 0.39	Vert(LL)	-0.53	7-8	>604	MT20	244/190
TCDL 10.0	Lumber DOL 1.15	BC 0.82	Vert(CT)	-0.89	7-8	>362	M18AHS	186/179
BCLL 0.0 *	Rep Stress Incr YES	WB 0.33	Horz(CT)	0.01	7	n/a		
BCDL 10.0	Code IRC2015/TPI2014	Matrix-S	Wind(LL)	0.38	7-8	>847		
							Weight: 234 lb	FT = 20%

LUMBER-
 TOP CHORD 2x6 SP No.1
 BOT CHORD 2x6 SP No.1 *Except*
 9-12: 2x6 SP 2400F 2.0E
 WEBS 2x4 SP No.2 *Except*
 1-11: 2x6 SP No.1
 SLIDER Right 2x4 SP No.2 4-1-10

BRACING-
 TOP CHORD Structural wood sheathing directly applied or 6-0-0 oc purlins, except end verticals, and 2-0-0 oc purlins (6-0-0 max.): 2-3.
 BOT CHORD Rigid ceiling directly applied or 6-0-0 oc bracing.
 WEBS 1 Row at midpt 2-10, 4-8

REACTIONS. (size) 11=0-3-8, 7=Mechanical
 Max Horz 11=-342(LC 8)
 Max Uplift 11=-138(LC 13), 7=-147(LC 13)
 Max Grav 11=1203(LC 2), 7=1248(LC 20)

FORCES. (lb) - Max. Comp./Max. Ten. - All forces 250 (lb) or less except when shown.
 TOP CHORD 1-2=-1041/489, 2-3=-825/517, 3-4=-1132/534, 4-7=-1372/539, 1-11=-1376/595
 BOT CHORD 10-11=-321/373, 8-10=-82/823, 7-8=-241/972
 WEBS 3-8=-55/493, 4-8=-587/424, 1-10=-260/1090

- NOTES-**
- Unbalanced roof live loads have been considered for this design.
 - Wind: ASCE 7-10; Vult=150mph Vasd=119mph; TCCL=6.0psf; BCDL=6.0psf; h=15ft; Cat. II; Exp C; Enclosed; MWFRS (envelope) and C-C Exterior(2) 0-4-4 to 4-9-1, Interior(1) 4-9-1 to 6-11-8, Exterior(2) 6-11-8 to 13-2-3, Interior(1) 13-2-3 to 14-11-8, Exterior(2) 14-11-8 to 21-1-9, Interior(1) 21-1-9 to 27-3-8 zone;C/C for members and forces & MWFRS for reactions shown; Lumber DOL=1.60 plate grip DOL=1.60
 - Provide adequate drainage to prevent water ponding.
 - All plates are MT20 plates unless otherwise indicated.
 - This truss has been designed for a 10.0 psf bottom chord live load nonconcurrent with any other live loads.
 - * This truss has been designed for a live load of 30.0psf on the bottom chord in all areas where a rectangle 3-6-0 tall by 2-0-0 wide will fit between the bottom chord and any other members, with BCDL = 10.0psf.
 - Refer to girder(s) for truss to truss connections.
 - Provide mechanical connection (by others) of truss to bearing plate capable of withstanding 100 lb uplift at joint(s) except (jt=lb) 11=138, 7=147.
 - Graphical purlin representation does not depict the size or the orientation of the purlin along the top and/or bottom chord.



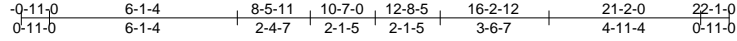
September 15, 2022

Job J1122-5625	Truss B1	Truss Type ATTIC	Qty 7	Ply 1	Lot 135 Hidden Lakes Job Reference (optional)	I54232527
-------------------	-------------	---------------------	----------	----------	--	-----------

Comtech, Inc, Fayetteville, NC - 28314,

8,430 s Jan 6 2022 MiTek Industries, Inc. Thu Sep 15 14:15:19 2022 Page 1

ID:pRI1C9Effk0ZVsLDXhFWTRyeOMT-Wf8Z2zJzcAj3AhobRIWti5XJvDRFKtpffIOq1qydMUu



5x8 =

Scale = 1:70.5

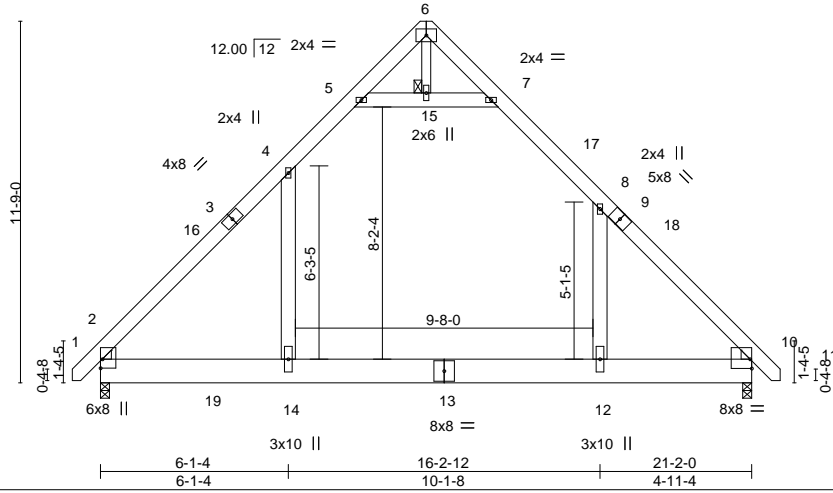


Plate Offsets (X,Y)-- [2:Edge,0-0-11], [10:Edge,0-3-10]

LOADING (psf)	SPACING-	CSI.	DEFL.	in (loc)	I/defl	L/d	PLATES	GRIP
TCLL 20.0	2-0-0	TC 0.93	Vert(LL)	-0.19	12-14	>999	MT20	244/190
TCDL 10.0	Plate Grip DOL 1.15	BC 0.61	Vert(CT)	-0.32	12-14	>773		
BCLL 0.0 *	Lumber DOL 1.15	WB 0.12	Horz(CT)	0.01	10	n/a		
BCDL 10.0	Rep Stress Incr YES	Matrix-S	Wind(LL)	0.11	12-14	>999		
	Code IRC2015/TPI2014						Weight: 201 lb	FT = 20%

LUMBER-

TOP CHORD 2x6 SP No.1
BOT CHORD 2x10 SP No.1
WEBS 2x6 SP No.1 *Except*
6-15: 2x4 SP No.2

WEDGE

Left: 2x4 SP No.2 , Right: 2x4 SP No.2

REACTIONS.

(size) 2=0-3-8, 10=0-3-8
Max Horz 2=363(LC 10)
Max Grav 2=1430(LC 20), 10=1425(LC 21)

FORCES.

(lb) - Max. Comp./Max. Ten. - All forces 250 (lb) or less except when shown.
TOP CHORD 2-4=-1793/112, 4-5=-892/274, 5-6=-56/314, 7-8=-1031/267, 8-10=-1861/65
BOT CHORD 2-14=0/1054, 12-14=0/1054, 10-12=0/1054
WEBS 4-14=-3/876, 8-12=-38/838, 5-15=-1382/435, 7-15=-1382/435

NOTES-

- Unbalanced roof live loads have been considered for this design.
- Wind: ASCE 7-10; Vult=150mph Vasd=119mph; TCCL=6.0psf; BCCL=6.0psf; h=15ft; Cat. II; Exp C; Enclosed; MWFRS (envelope) and C-C Exterior(2) -0-9-6 to 3-7-7, Interior(1) 3-7-7 to 10-7-0, Exterior(2) 10-7-0 to 14-11-13, Interior(1) 14-11-13 to 21-11-6 zone; C-C for members and forces & MWFRS for reactions shown; Lumber DOL=1.60 plate grip DOL=1.60
- This truss has been designed for a 10.0 psf bottom chord live load nonconcurrent with any other live loads.
- * This truss has been designed for a live load of 30.0psf on the bottom chord in all areas where a rectangle 3-6-0 tall by 2-0-0 wide will fit between the bottom chord and any other members, with BCCL = 10.0psf.
- Ceiling dead load (10.0 psf) on member(s). 4-5, 7-8, 5-15, 7-15; Wall dead load (5.0psf) on member(s).4-14, 8-12
- Bottom chord live load (40.0 psf) and additional bottom chord dead load (10.0 psf) applied only to room. 12-14
- Attic room checked for L/360 deflection.



September 15,2022

WARNING - Verify design parameters and READ NOTES ON THIS AND INCLUDED MITEK REFERENCE PAGE MII-7473 rev. 5/19/2020 BEFORE USE.

Design valid for use only with MiTek® connectors. This design is based only upon parameters shown, and is for an individual building component, not a truss system. Before use, the building designer must verify the applicability of design parameters and properly incorporate this design into the overall building design. Bracing indicated is to prevent buckling of individual truss web and/or chord members only. Additional temporary and permanent bracing is always required for stability and to prevent collapse with possible personal injury and property damage. For general guidance regarding the fabrication, storage, delivery, erection and bracing of trusses and truss systems, see **ANSI/TPI1 Quality Criteria, DSB-89 and BCSI Building Component Safety Information** available from Truss Plate Institute, 2670 Crain Highway, Suite 203 Waldorf, MD 20601



818 Soundside Road
Edenton, NC 27932

Job	Truss	Truss Type	Qty	Ply	Lot 135 Hidden Lakes	154232528
J1122-5625	B1GE	GABLE	1	1		

Comtech, Inc, Fayetteville, NC - 28314,

8,430 s Jan 6 2022 MiTek Industries, Inc. Thu Sep 15 14:15:20 2022 Page 1

ID: pR1C9Efk0ZVsLDXhFWTRyeOMT_sixGIKbNTrworNn??16F14WXdoJ3HnozJ7NZHydMUr

0-11-0 6-1-4 8-5-11 10-7-0 12-8-5 16-2-12 21-2-0 22-1-0
0-11-0 6-1-4 2-4-7 2-1-5 2-1-5 3-6-7 4-11-4 0-11-0

5x5 =

Scale = 1:73.3

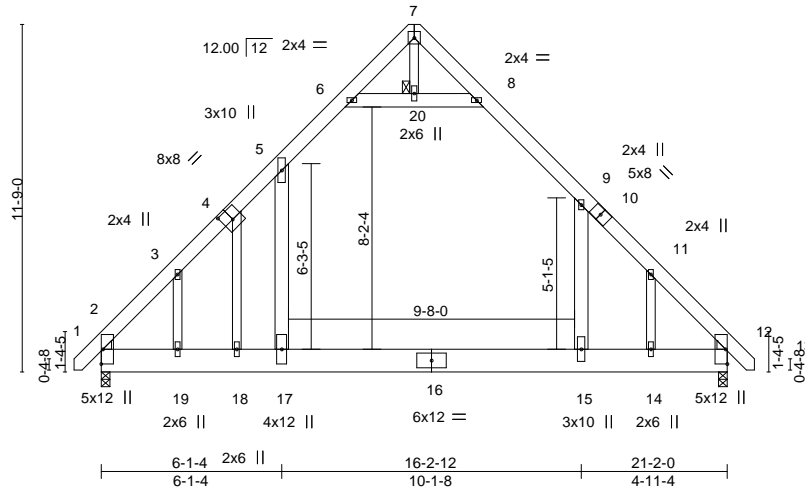


Plate Offsets (X,Y)-- [4:0-4-0,0-4-8]

LOADING (psf)	SPACING-	CSI.	DEFL.	in (loc)	l/defl	L/d	PLATES	GRIP
TCLL 20.0	2-0-0	TC 0.81	Vert(LL)	-0.15	15-17	>999	MT20	244/190
TCDL 10.0	Plate Grip DOL 1.15	BC 0.55	Vert(CT)	-0.27	15-17	>934		
BCLL 0.0 *	Lumber DOL 1.15	WB 0.27	Horz(CT)	0.01	12	n/a		
BCDL 10.0	Rep Stress Incr YES	Matrix-S	Wind(LL)	0.12	17	>999		
	Code IRC2015/TPI2014						Weight: 216 lb	FT = 20%

LUMBER-

TOP CHORD 2x6 SP No.1
 BOT CHORD 2x10 SP No.1
 WEBS 2x6 SP No.1 *Except*
 7-20: 2x4 SP No.2
 OTHERS 2x4 SP No.2
 WEDGE
 Left: 2x4 SP No.2, Right: 2x4 SP No.2

BRACING-

TOP CHORD Structural wood sheathing directly applied or 4-3-12 oc purlins.
 BOT CHORD Rigid ceiling directly applied or 10-0-0 oc bracing.
 JOINTS 1 Brace at Jt(s): 20

REACTIONS.

(size) 2=0-3-8, 12=0-3-8
 Max Horz 2=453(LC 10)
 Max Uplift 2=-112(LC 12), 12=-97(LC 13)
 Max Grav 2=1333(LC 20), 12=1391(LC 21)

FORCES. (lb) - Max. Comp./Max. Ten. - All forces 250 (lb) or less except when shown.

TOP CHORD 2-3=-1765/90, 3-4=-1487/184, 4-5=-1779/337, 5-6=-874/310, 6-7=-73/264,
 8-9=-1016/321, 9-11=-1778/223, 11-12=-1648/58
 BOT CHORD 2-19=0/1092, 18-19=0/1092, 17-18=0/1052, 15-17=0/1052, 14-15=0/1052, 12-14=0/1053
 WEBS 5-17=-157/1122, 9-15=-67/903, 6-20=-1302/501, 8-20=-1302/501, 4-18=-668/287,
 3-19=0/270, 11-14=-504/319

NOTES-

- Unbalanced roof live loads have been considered for this design.
- Wind: ASCE 7-10; Vult=150mph Vasd=119mph; TCCL=6.0psf; BCDL=6.0psf; h=15ft; Cat. II; Exp C; Enclosed; MWFRS (envelope) gable end zone and C-C Exterior(2) zone; C-C for members and forces & MWFRS for reactions shown; Lumber DOL=1.60 plate grip DOL=1.60
- Truss designed for wind loads in the plane of the truss only. For studs exposed to wind (normal to the face), see Standard Industry Gable End Details as applicable, or consult qualified building designer as per ANSI/TPI 1.
- Gable studs spaced at 2-0-0 oc.
- This truss has been designed for a 10.0 psf bottom chord live load nonconcurrent with any other live loads.
- * This truss has been designed for a live load of 30.0psf on the bottom chord in all areas where a rectangle 3-6-0 tall by 2-0-0 wide will fit between the bottom chord and any other members.
- Ceiling dead load (10.0 psf) on member(s). 5-6, 8-9, 6-20, 8-20; Wall dead load (5.0psf) on member(s).5-17, 9-15
- Bottom chord live load (40.0 psf) and additional bottom chord dead load (10.0 psf) applied only to room. 15-17
- Provide mechanical connection (by others) of truss to bearing plate capable of withstanding 100 lb uplift at joint(s) 12 except (jt=lb) 2=112.
- Attic room checked for L/360 deflection.



September 15, 2022

WARNING - Verify design parameters and READ NOTES ON THIS AND INCLUDED MITEK REFERENCE PAGE MII-7473 rev. 5/19/2020 BEFORE USE.

Design valid for use only with MiTek® connectors. This design is based only upon parameters shown, and is for an individual building component, not a truss system. Before use, the building designer must verify the applicability of design parameters and properly incorporate this design into the overall building design. Bracing indicated is to prevent buckling of individual truss web and/or chord members only. Additional temporary and permanent bracing is always required for stability and to prevent collapse with possible personal injury and property damage. For general guidance regarding the fabrication, storage, delivery, erection and bracing of trusses and truss systems, see ANSITPI1 Quality Criteria, DSB-89 and BCSI Building Component Safety Information available from Truss Plate Institute, 2670 Crain Highway, Suite 203 Waldorf, MD 20601



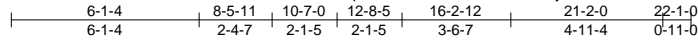
818 Soundside Road
 Edenton, NC 27932

Job J1122-5625	Truss B2	Truss Type ATTIC	Qty 1	Ply 1	Lot 135 Hidden Lakes Job Reference (optional)	154232529
-------------------	-------------	---------------------	----------	----------	--	-----------

Comtech, Inc, Fayetteville, NC - 28314,

8,430 s Jan 6 2022 MiTek Industries, Inc. Thu Sep 15 14:15:21 2022 Page 1

ID:pRI1C9Efk0ZVslDXhFWTRyeOMT-T2GJTtLE8znP?yzYjYLnWdfK07donMyCztx5jydMUq



5x8 =

Scale = 1:70.5

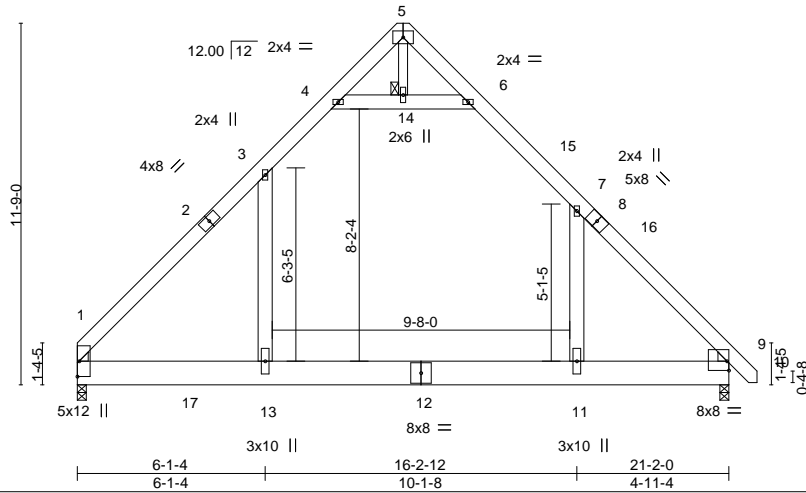


Plate Offsets (X,Y)-- [9:Edge,0-3-10]

LOADING (psf)	SPACING-	CSI.	DEFL.	in (loc)	I/defl	L/d	PLATES	GRIP
TCLL 20.0	2-0-0	TC 0.93	Vert(LL)	-0.19 11-13	>999	360	MT20	244/190
TCDL 10.0	Plate Grip DOL 1.15	BC 0.61	Vert(CT)	-0.33 11-13	>765	240		
BCLL 0.0 *	Lumber DOL 1.15	WB 0.12	Horz(CT)	0.01 9	n/a	n/a		
BCDL 10.0	Rep Stress Incr YES	Matrix-S	Wind(LL)	0.11 11-13	>999	240		
	Code IRC2015/TPI2014						Weight: 198 lb	FT = 20%

LUMBER-

TOP CHORD 2x6 SP No.1
 BOT CHORD 2x10 SP No.1
 WEBS 2x6 SP No.1 *Except*
 5-14: 2x4 SP No.2

BRACING-

TOP CHORD Structural wood sheathing directly applied or 2-2-0 oc purlins.
 BOT CHORD Rigid ceiling directly applied or 10-0-0 oc bracing.
 JOINTS 1 Brace at Jt(s): 14

WEDGE

Left: 2x4 SP No.2 , Right: 2x4 SP No.2

REACTIONS.

(size) 1=0-3-8, 9=0-3-8
 Max Horz 1=361(LC 8)
 Max Grav 1=1395(LC 21), 9=1425(LC 21)

FORCES. (lb) - Max. Comp./Max. Ten. - All forces 250 (lb) or less except when shown.

TOP CHORD 1-3=-1776/90, 3-4=-895/282, 4-5=-59/319, 6-7=-1028/264, 7-9=-1866/68
 BOT CHORD 1-13=0/1055, 11-13=0/1055, 9-11=0/1055
 WEBS 3-13=-11/850, 7-11=-41/848, 4-14=-1397/454, 6-14=-1397/454

NOTES-

- Unbalanced roof live loads have been considered for this design.
- Wind: ASCE 7-10; Vult=150mph Vasd=119mph; TC DL=6.0psf; BCDL=6.0psf; h=15ft; Cat. II; Exp C; Enclosed; MWFRS (envelope) and C-C Exterior(2) 0-1-12 to 4-6-9, Interior(1) 4-6-9 to 10-7-0, Exterior(2) 10-7-0 to 14-11-13, Interior(1) 14-11-13 to 21-11-6 zone; C-C for members and forces & MWFRS for reactions shown; Lumber DOL=1.60 plate grip DOL=1.60
- This truss has been designed for a 10.0 psf bottom chord live load nonconcurrent with any other live loads.
- * This truss has been designed for a live load of 30.0psf on the bottom chord in all areas where a rectangle 3-6-0 tall by 2-0-0 wide will fit between the bottom chord and any other members, with BCDL = 10.0psf.
- Ceiling dead load (10.0 psf) on member(s). 3-4, 6-7, 4-14, 6-14; Wall dead load (5.0psf) on member(s). 3-13, 7-11
- Bottom chord live load (40.0 psf) and additional bottom chord dead load (10.0 psf) applied only to room. 11-13
- Attic room checked for L/360 deflection.



September 15, 2022

WARNING - Verify design parameters and READ NOTES ON THIS AND INCLUDED MITEK REFERENCE PAGE MII-7473 rev. 5/19/2020 BEFORE USE.

Design valid for use only with MiTek® connectors. This design is based only upon parameters shown, and is for an individual building component, not a truss system. Before use, the building designer must verify the applicability of design parameters and properly incorporate this design into the overall building design. Bracing indicated is to prevent buckling of individual truss web and/or chord members only. Additional temporary and permanent bracing is always required for stability and to prevent collapse with possible personal injury and property damage. For general guidance regarding the fabrication, storage, delivery, erection and bracing of trusses and truss systems, see **ANSI/TPI1 Quality Criteria, DSB-89 and BCSI Building Component Safety Information** available from Truss Plate Institute, 2670 Crain Highway, Suite 203 Waldorf, MD 20601



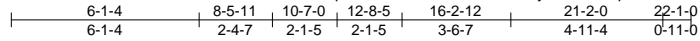
818 Soundside Road
 Edenton, NC 27932

Job J1122-5625	Truss B2-GR	Truss Type ATTIC	Qty 1	Ply 2	Lot 135 Hidden Lakes	154232530
-------------------	----------------	---------------------	----------	----------	----------------------	-----------

Comtech, Inc, Fayetteville, NC - 28314,

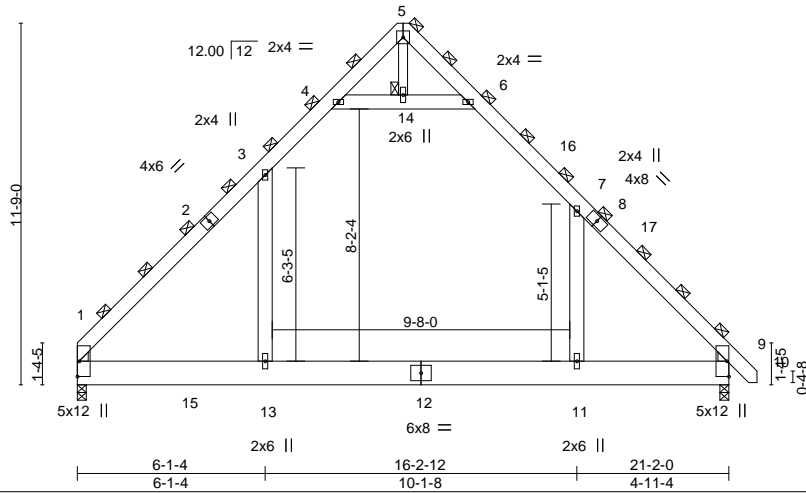
8,430 s Jan 6 2022 MiTek Industries, Inc. Thu Sep 15 14:15:22 2022 Page 1

ID:pR11C9Efk0ZVsLDXhFWTRyeOMT-xEqhh_Lsv55e19XA6Q4akJ9s5QVXXE35RdcUe9ydMUp



5x5 =

Scale = 1:70.5



LOADING (psf)	SPACING-	CSI.	DEFL.	PLATES	GRIP
TCLL 20.0	3-0-0	TC 0.80	in (loc) l/defl L/d	MT20	244/190
TCDL 10.0	Plate Grip DOL 1.15	BC 0.51	Vert(LL) -0.14 11-13 >999 360		
BCLL 0.0 *	Lumber DOL 1.15	WB 0.09	Vert(CT) -0.25 11-13 >999 240		
BCDL 10.0	Rep Stress Incr NO	Matrix-S	Horz(CT) 0.01 9 n/a n/a		
	Code IRC2015/TPI2014		Wind(LL) 0.08 11-13 >999 240	Weight: 397 lb	FT = 20%

LUMBER-

TOP CHORD 2x6 SP No.1
 BOT CHORD 2x10 SP No.1
 WEBS 2x6 SP No.1 *Except*
 5-14: 2x4 SP No.2

WEDGE
 Left: 2x4 SP No.2, Right: 2x4 SP No.2

REACTIONS. (size) 1=0-3-8, 9=0-3-8
 Max Horz 1=-542(LC 10)
 Max Grav 1=2092(LC 21), 9=2138(LC 21)

FORCES. (lb) - Max. Comp./Max. Ten. - All forces 250 (lb) or less except when shown.
 TOP CHORD 1-3=-2664/135, 3-4=-1342/422, 4-5=-89/479, 5-6=-113/337, 6-7=-1542/397,
 7-9=-2799/101
 BOT CHORD 1-13=0/1583, 11-13=0/1583, 9-11=0/1583
 WEBS 3-13=-16/1275, 7-11=-62/1272, 4-14=-2097/681, 6-14=-2097/681

NOTES-

- 2-ply truss to be connected together with 10d (0.131"x3") nails as follows:
 Top chords connected as follows: 2x6 - 2 rows staggered at 0-9-0 oc.
 Bottom chords connected as follows: 2x10 - 2 rows staggered at 0-9-0 oc.
 Webs connected as follows: 2x6 - 2 rows staggered at 0-9-0 oc, 2x4 - 1 row at 0-9-0 oc.
- All loads are considered equally applied to all plies, except if noted as front (F) or back (B) face in the LOAD CASE(S) section. Ply to ply connections have been provided to distribute only loads noted as (F) or (B), unless otherwise indicated.
- Unbalanced roof live loads have been considered for this design.
- Wind: ASCE 7-10; Vult=150mph Vasd=119mph; TCCL=6.0psf; BCDL=6.0psf; h=15ft; Cat. II; Exp C; Enclosed; MWFRS (envelope) and C-C Exterior(2) 0-1-12 to 4-6-9, Interior(1) 4-6-9 to 10-7-0, Exterior(2) 10-7-0 to 14-11-13, Interior(1) 14-11-13 to 21-11-6 zone; C-C for members and forces & MWFRS for reactions shown; Lumber DOL=1.60 plate grip DOL=1.60
- This truss has been designed for a 10.0 psf bottom chord live load nonconcurrent with any other live loads.
- * This truss has been designed for a live load of 30.0psf on the bottom chord in all areas where a rectangle 3-6-0 tall by 2-0-0 wide will fit between the bottom chord and any other members, with BCDL = 10.0psf.
- Ceiling dead load (10.0 psf) on member(s). 3-4, 6-7, 4-14, 6-14; Wall dead load (5.0psf) on member(s). 3-13, 7-11
- Bottom chord live load (40.0 psf) and additional bottom chord dead load (10.0 psf) applied only to room. 11-13
- Graphical purlin representation does not depict the size or the orientation of the purlin along the top and/or bottom chord.
- Attic room checked for L/360 deflection.



September 15, 2022

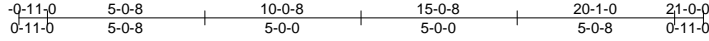
WARNING - Verify design parameters and READ NOTES ON THIS AND INCLUDED MITEK REFERENCE PAGE MII-7473 rev. 5/19/2020 BEFORE USE.
 Design valid for use only with MiTek® connectors. This design is based only upon parameters shown, and is for an individual building component, not a truss system. Before use, the building designer must verify the applicability of design parameters and properly incorporate this design into the overall building design. Bracing indicated is to prevent buckling of individual truss web and/or chord members only. Additional temporary and permanent bracing is always required for stability and to prevent collapse with possible personal injury and property damage. For general guidance regarding the fabrication, storage, delivery, erection and bracing of trusses and truss systems, see ANSIP/TPI1 Quality Criteria, DSB-89 and BCSI Building Component Safety Information available from Truss Plate Institute, 2670 Crain Highway, Suite 203 Waldorf, MD 20601



818 Soundside Road
 Edenton, NC 27932

Job J1122-5625	Truss C1	Truss Type COMMON	Qty 1	Ply 1	Lot 135 Hidden Lakes	154232531
-------------------	-------------	----------------------	----------	----------	----------------------	-----------

Comtech, Inc, Fayetteville, NC - 28314, 8,430 s Jan 6 2022 MiTek Industries, Inc. Thu Sep 15 14:15:23 2022 Page 1
 ID:pR11C9Efffk0ZvsLDXhFWTRyeOMT-PRO3uKMUGODVf6Mg8bpsxiB_qsDGZUFHM2AcydMUo



5x5 =

Scale = 1:69.4

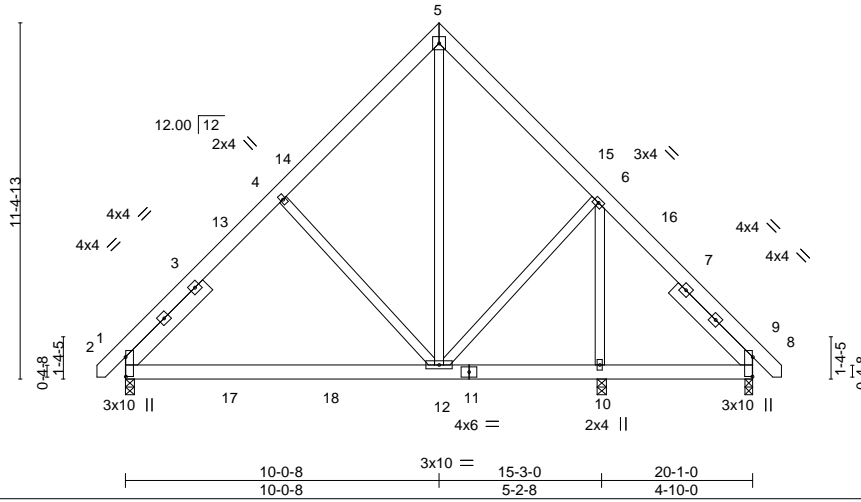


Plate Offsets (X,Y)-- [2:0-7-9,0-0-2], [8:0-7-9,0-0-2]

LOADING (psf)	SPACING-	CSI.	DEFL.	in (loc)	l/defl	L/d	PLATES	GRIP
TCLL 20.0	2-0-0	TC 0.15	Vert(LL)	-0.10	2-12	>999	MT20	244/190
TCDL 10.0	Plate Grip DOL 1.15	BC 0.35	Vert(CT)	-0.16	2-12	>999		
BCLL 0.0 *	Lumber DOL 1.15	WB 0.59	Horz(CT)	0.01	8	n/a		
BCDL 10.0	Rep Stress Incr YES	Matrix-S	Wind(LL)	0.01	8-10	>999		
	Code IRC2015/TPI2014						Weight: 182 lb	FT = 20%

LUMBER-

TOP CHORD 2x6 SP No.1
 BOT CHORD 2x6 SP No.1
 WEBS 2x4 SP No.2
 SLIDER Left 2x6 SP No.1 3-8-1, Right 2x6 SP No.1 3-6-7

BRACING-

TOP CHORD Structural wood sheathing directly applied or 6-0-0 oc purlins.
 BOT CHORD Rigid ceiling directly applied or 10-0-0 oc bracing.

REACTIONS.

(size) 2=0-3-8, 10=0-3-8, 8=0-3-0
 Max Horz 2=-346(LC 8)
 Max Uplift 2=-105(LC 13), 10=-103(LC 12), 8=-61(LC 13)
 Max Grav 2=738(LC 20), 10=604(LC 1), 8=393(LC 1)

FORCES.

(lb) - Max. Comp./Max. Ten. - All forces 250 (lb) or less except when shown.
 TOP CHORD 2-4=-705/314, 4-5=-640/375, 5-6=-644/386, 6-8=-326/182
 BOT CHORD 2-12=-202/592
 WEBS 4-12=-446/361, 5-12=-296/526, 6-12=-59/305, 6-10=-624/244

NOTES-

- Unbalanced roof live loads have been considered for this design.
- Wind: ASCE 7-10; Vult=150mph Vasd=119mph; TCCL=6.0psf; BCDL=6.0psf; h=15ft; Cat. II; Exp C; Enclosed; MWFRS (envelope) and C-C Exterior(2) -0-9-6 to 3-7-7, Interior(1) 3-7-7 to 10-0-8, Exterior(2) 10-0-8 to 14-5-5, Interior(1) 14-5-5 to 20-10-6 zone; porch right exposed; C-C for members and forces & MWFRS for reactions shown; Lumber DOL=1.60 plate grip DOL=1.60
- This truss has been designed for a 10.0 psf bottom chord live load nonconcurrent with any other live loads.
- * This truss has been designed for a live load of 30.0psf on the bottom chord in all areas where a rectangle 3-6-0 tall by 2-0-0 wide will fit between the bottom chord and any other members, with BCDL = 10.0psf.
- Provide mechanical connection (by others) of truss to bearing plate capable of withstanding 100 lb uplift at joint(s) 8 except (jt=lb) 2=105, 10=103.



September 15, 2022

WARNING - Verify design parameters and READ NOTES ON THIS AND INCLUDED MITEK REFERENCE PAGE MII-7473 rev. 5/19/2020 BEFORE USE.

Design valid for use only with MiTek® connectors. This design is based only upon parameters shown, and is for an individual building component, not a truss system. Before use, the building designer must verify the applicability of design parameters and properly incorporate this design into the overall building design. Bracing indicated is to prevent buckling of individual truss web and/or chord members only. Additional temporary and permanent bracing is always required for stability and to prevent collapse with possible personal injury and property damage. For general guidance regarding the fabrication, storage, delivery, erection and bracing of trusses and truss systems, see **ANSI/TPI1 Quality Criteria, DSB-89 and BCSI Building Component Safety Information** available from Truss Plate Institute, 2670 Crain Highway, Suite 203 Waldorf, MD 20601



818 Soundside Road
 Edenton, NC 27932

Job J1122-5625	Truss C1SG	Truss Type GABLE	Qty 1	Ply 1	Lot 135 Hidden Lakes Job Reference (optional)	154232532
-------------------	---------------	---------------------	----------	----------	--	-----------

Comtech, Inc, Fayetteville, NC - 28314,

8.430 s Jan 6 2022 MiTek Industries, Inc. Thu Sep 15 14:15:24 2022 Page 1

ID:pR1H1C9Efk0ZVsLDXhFWTRyeOMT-tdyS5gN6RILMGSgHYEr62P8FMpECY??GOux5bi2ydMUn

0-11-0 5-0-8 10-0-8 15-0-8 20-1-0 21-0-0
0-11-0 5-0-8 5-0-0 5-0-0 5-0-8 0-11-0

5x5 =

Scale = 1:69.4

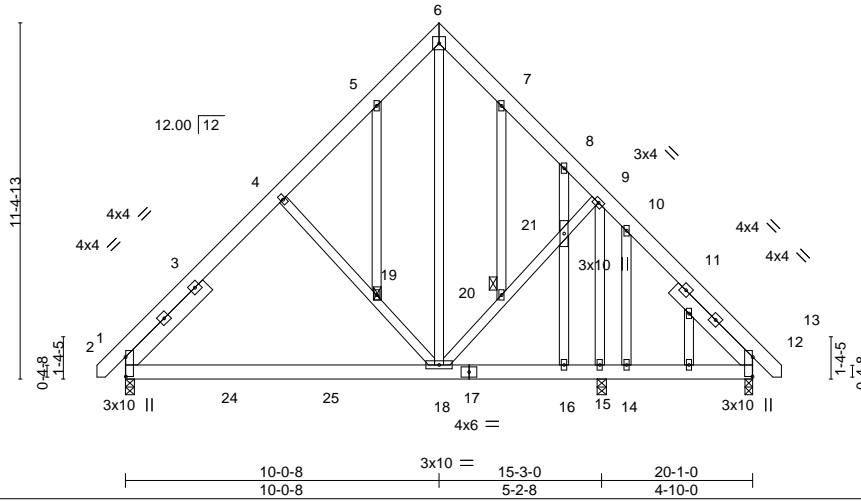


Plate Offsets (X,Y)-- [2:0-7-9,0-0-2], [12:0-7-9,0-0-2]

LOADING (psf)	SPACING-	CSI.	DEFL.	in (loc)	I/defl	L/d	PLATES	GRIP
TCLL 20.0	Plate Grip DOL 1.15	TC 0.15	Vert(LL) -0.09	2-18	>999	360	MT20	244/190
TCDL 10.0	Lumber DOL 1.15	BC 0.34	Vert(CT) -0.15	2-18	>999	240		
BCLL 0.0 *	Rep Stress Incr YES	WB 0.68	Horz(CT) 0.01	12	n/a	n/a		
BCDL 10.0	Code IRC2015/TPI2014	Matrix-S	Wind(LL) 0.01	12-14	>999	240		
							Weight: 219 lb	FT = 20%

LUMBER-

TOP CHORD 2x6 SP No.1
 BOT CHORD 2x6 SP No.1
 WEBS 2x4 SP No.2
 OTHERS 2x4 SP No.2
 SLIDER Left 2x6 SP No.1 3-8-1, Right 2x6 SP No.1 3-6-7

BRACING-

TOP CHORD Structural wood sheathing directly applied or 6-0-0 oc purlins.
 BOT CHORD Rigid ceiling directly applied or 10-0-0 oc bracing.
 JOINTS 1 Brace at Jt(s): 19, 20

REACTIONS.

(size) 2=0-3-8, 15=0-3-8, 12=0-3-0
 Max Horz 2=433(LC 8)
 Max Uplift 2=198(LC 12), 15=313(LC 13), 12=67(LC 9)
 Max Grav 2=701(LC 19), 15=701(LC 1), 12=320(LC 1)

FORCES.

(lb) - Max. Comp./Max. Ten. - All forces 250 (lb) or less except when shown.
 TOP CHORD 2-4=-669/324, 4-5=-580/361, 5-6=-555/399, 6-7=-568/413, 7-8=-583/377, 8-9=-435/254
 BOT CHORD 2-18=-276/620
 WEBS 4-19=-434/438, 18-19=-455/461, 6-18=-344/492, 18-20=-77/402, 20-21=-65/392,
 9-21=-74/391, 9-15=-371/101, 16-21=-257/178, 10-14=-300/233

NOTES-

- Unbalanced roof live loads have been considered for this design.
- Wind: ASCE 7-10; Vult=150mph Vasd=119mph; TC DL=6.0psf; BCDL=6.0psf; h=15ft; Cat. II; Exp C; Enclosed; MWFRS (envelope) gable end zone and C-C Exterior(2) zone; porch right exposed; C-C for members and forces & MWFRS for reactions shown; Lumber DOL=1.60 plate grip DOL=1.60
- Truss designed for wind loads in the plane of the truss only. For studs exposed to wind (normal to the face), see Standard Industry Gable End Details as applicable, or consult qualified building designer as per ANSI/TPI 1.
- All plates are 2x4 MT20 unless otherwise indicated.
- Gable studs spaced at 2-0-0 oc.
- This truss has been designed for a 10.0 psf bottom chord live load nonconcurrent with any other live loads.
- * This truss has been designed for a live load of 30.0psf on the bottom chord in all areas where a rectangle 3-6-0 tall by 2-0-0 wide will fit between the bottom chord and any other members, with BCDL = 10.0psf.
- Provide mechanical connection (by others) of truss to bearing plate capable of withstanding 100 lb uplift at joint(s) 12 except (jt=lb) 2=198, 15=313.



September 15, 2022

WARNING - Verify design parameters and READ NOTES ON THIS AND INCLUDED MITEK REFERENCE PAGE MII-7473 rev. 5/19/2020 BEFORE USE.

Design valid for use only with MiTek® connectors. This design is based only upon parameters shown, and is for an individual building component, not a truss system. Before use, the building designer must verify the applicability of design parameters and properly incorporate this design into the overall building design. Bracing indicated is to prevent buckling of individual truss web and/or chord members only. Additional temporary and permanent bracing is always required for stability and to prevent collapse with possible personal injury and property damage. For general guidance regarding the fabrication, storage, delivery, erection and bracing of trusses and truss systems, see **ANSI/TPI1 Quality Criteria, DSB-89 and BCSI Building Component Safety Information** available from Truss Plate Institute, 2670 Crain Highway, Suite 203 Waldorf, MD 20601



818 Soundside Road
 Edenton, NC 27932

Job J1122-5625	Truss C2	Truss Type COMMON	Qty 2	Ply 1	Lot 135 Hidden Lakes Job Reference (optional)	154232533
-------------------	-------------	----------------------	----------	----------	--	-----------

Comtech, Inc, Fayetteville, NC - 28314, 8,430 s Jan 6 2022 MiTek Industries, Inc. Thu Sep 15 14:15:25 2022 Page 1
 ID:pR1H1C9Efk0ZVsLDXhFWTRyeOMT-LpWqJ0OkC0TDucGknZdHyMnXtYhKThX7br8EUydMUm



5x5 =

Scale = 1:69.4

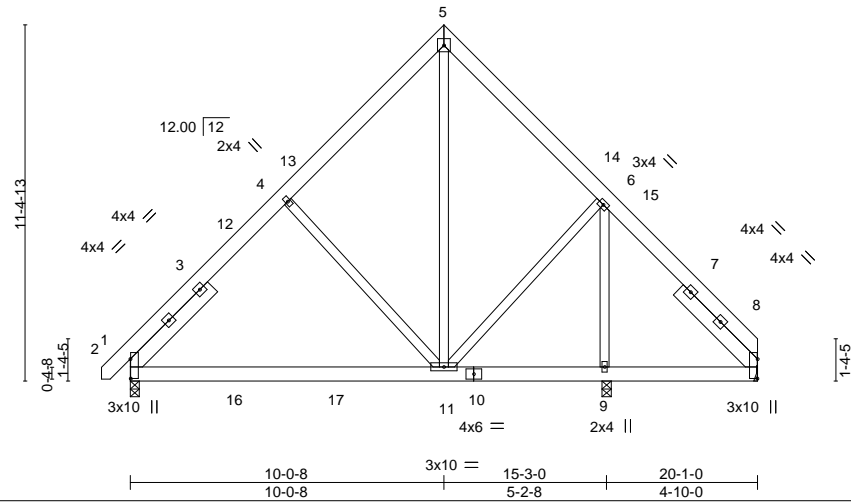


Plate Offsets (X,Y)-- [2:0-7-9,0-0-2], [8:0-7-9,0-0-2]

LOADING (psf)	SPACING-	CSI.	DEFL.	in (loc)	l/defl	L/d	PLATES	GRIP
TCLL 20.0	2-0-0	TC 0.15	Vert(LL)	-0.10	2-11	>999	MT20	244/190
TCDL 10.0	Plate Grip DOL 1.15	BC 0.35	Vert(CT)	-0.16	2-11	>999		
BCLL 0.0 *	Lumber DOL 1.15	WB 0.61	Horz(CT)	0.01	8	n/a		
BCDL 10.0	Rep Stress Incr YES	Matrix-S	Wind(LL)	0.01	8-9	>999		
	Code IRC2015/TPI2014						Weight: 179 lb	FT = 20%

LUMBER-

TOP CHORD 2x6 SP No.1
 BOT CHORD 2x6 SP No.1
 WEBS 2x4 SP No.2
 SLIDER Left 2x6 SP No.1 3-8-1, Right 2x6 SP No.1 3-6-7

BRACING-

TOP CHORD Structural wood sheathing directly applied or 6-0-0 oc purlins.
 BOT CHORD Rigid ceiling directly applied or 10-0-0 oc bracing.

REACTIONS.

(size) 8=Mechanical, 2=0-3-8, 9=0-3-8
 Max Horz 2=-347(LC 8)
 Max Uplift 8=-46(LC 13), 2=-106(LC 13), 9=-101(LC 12)
 Max Grav 8=346(LC 1), 2=740(LC 20), 9=603(LC 1)

FORCES. (lb) - Max. Comp./Max. Ten. - All forces 250 (lb) or less except when shown.

TOP CHORD 2-4=-707/314, 4-5=-642/375, 5-6=-646/393, 6-8=-319/190
 BOT CHORD 2-11=-201/593
 WEBS 4-11=-446/361, 5-11=-306/529, 6-11=-62/303, 6-9=-620/243

NOTES-

- 1) Unbalanced roof live loads have been considered for this design.
- 2) Wind: ASCE 7-10; Vult=150mph Vasd=119mph; TCCL=6.0psf; BCDL=6.0psf; h=15ft; Cat. II; Exp C; Enclosed; MWFRS (envelope) and C-C Exterior(2) -0-9-6 to 3-7-7, Interior(1) 3-7-7 to 10-0-8, Exterior(2) 10-0-8 to 14-5-5, Interior(1) 14-5-5 to 20-1-0 zone; porch right exposed; C-C for members and forces & MWFRS for reactions shown; Lumber DOL=1.60 plate grip DOL=1.60
- 3) This truss has been designed for a 10.0 psf bottom chord live load nonconcurrent with any other live loads.
- 4) * This truss has been designed for a live load of 30.0psf on the bottom chord in all areas where a rectangle 3-6-0 tall by 2-0-0 wide will fit between the bottom chord and any other members, with BCDL = 10.0psf.
- 5) Refer to girder(s) for truss to truss connections.
- 6) Provide mechanical connection (by others) of truss to bearing plate capable of withstanding 100 lb uplift at joint(s) 8 except (jt=lb) 2=106, 9=101.



September 15, 2022

WARNING - Verify design parameters and READ NOTES ON THIS AND INCLUDED MITEK REFERENCE PAGE MII-7473 rev. 5/19/2020 BEFORE USE.

Design valid for use only with MiTek® connectors. This design is based only upon parameters shown, and is for an individual building component, not a truss system. Before use, the building designer must verify the applicability of design parameters and properly incorporate this design into the overall building design. Bracing indicated is to prevent buckling of individual truss web and/or chord members only. Additional temporary and permanent bracing is always required for stability and to prevent collapse with possible personal injury and property damage. For general guidance regarding the fabrication, storage, delivery, erection and bracing of trusses and truss systems, see ANSII/TPI1 Quality Criteria, DSB-89 and BCSI Building Component Safety Information available from Truss Plate Institute, 2670 Crain Highway, Suite 203 Waldorf, MD 20601



818 Soundside Road
 Edenton, NC 27932

Job J1122-5625	Truss C2-GR	Truss Type COMMON	Qty 1	Ply 2	Lot 135 Hidden Lakes Job Reference (optional)	154232534
-------------------	----------------	----------------------	----------	----------	--	-----------

Comtech, Inc, Fayetteville, NC - 28314,

8,430 s Jan 6 2022 MiTek Industries, Inc. Thu Sep 15 14:15:26 2022 Page 1

ID:pR1C9Eftk0ZVsLDXhFWTRyeOMT-p04CWMOMzJb4WmqxLG8WUZKgd1qFTwhMFainxydMUI



5x5 =

Scale = 1:69.4

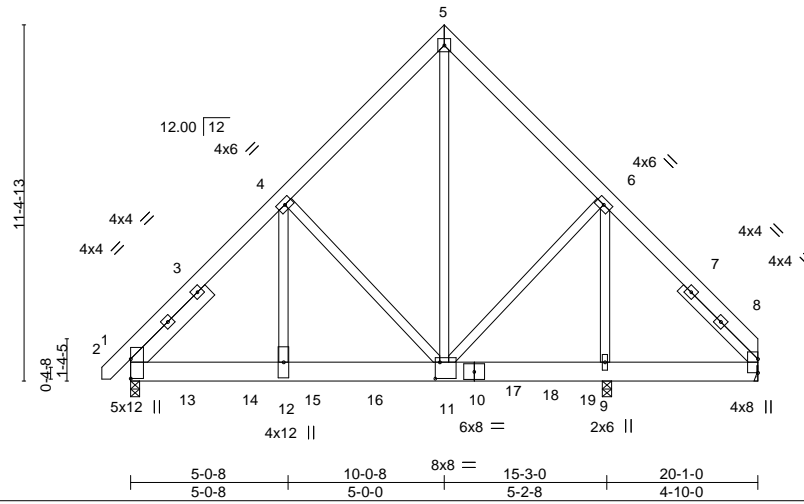


Plate Offsets (X,Y)-- [11:0-1-12,0-6-4]

LOADING (psf)	SPACING-	CSI.	DEFL.	in (loc)	l/defl	L/d	PLATES	GRIP
TCLL 20.0	Plate Grip DOL 1.15	TC 0.32	Vert(LL)	-0.05 11-12	>999	360	MT20	244/190
TCDL 10.0	Lumber DOL 1.15	BC 0.58	Vert(CT)	-0.10 11-12	>999	240		
BCLL 0.0 *	Rep Stress Incr NO	WB 0.52	Horz(CT)	0.01 8	n/a	n/a		
BCDL 10.0	Code IRC2015/TPI2014	Matrix-S	Wind(LL)	0.04 11-12	>999	240		
							Weight: 394 lb	FT = 20%

LUMBER-

TOP CHORD 2x6 SP No.1
 BOT CHORD 2x8 SP No.1
 WEBS 2x4 SP No.2
 SLIDER Left 2x6 SP No.1 3-5-3, Right 2x4 SP No.2 3-5-3

BRACING-

TOP CHORD Structural wood sheathing directly applied or 6-0-0 oc purlins.
 BOT CHORD Rigid ceiling directly applied or 10-0-0 oc bracing.

REACTIONS.

(size) 8=Mechanical, 2=0-3-8, 9=0-3-8 (req. 0-3-10)
 Max Horz 2=345(LC 5)
 Max Uplift 8=158(LC 27), 2=-776(LC 9), 9=-846(LC 8)
 Max Grav 8=298(LC 15), 2=5634(LC 2), 9=6175(LC 2)

FORCES. (lb) - Max. Comp./Max. Ten. - All forces 250 (lb) or less except when shown.

TOP CHORD 2-4=-5680/840, 4-5=-2948/591, 5-6=-3011/593, 6-8=-352/99
 BOT CHORD 2-12=-643/3753, 11-12=-644/3760
 WEBS 4-11=-2497/575, 5-11=-663/3782, 6-11=-465/2948, 6-9=-4282/657, 4-12=-450/3758

NOTES-

- 2-ply truss to be connected together with 10d (0.131"x3") nails as follows:
 Top chords connected as follows: 2x6 - 2 rows staggered at 0-9-0 oc.
 Bottom chords connected as follows: 2x8 - 2 rows staggered at 0-6-0 oc.
 Webs connected as follows: 2x4 - 1 row at 0-9-0 oc.
- All loads are considered equally applied to all plies, except if noted as front (F) or back (B) face in the LOAD CASE(S) section. Ply to ply connections have been provided to distribute only loads noted as (F) or (B), unless otherwise indicated.
- Unbalanced roof live loads have been considered for this design.
- Wind: ASCE 7-10; Vult=150mph Vasd=119mph; TC DL=6.0psf; BC DL=6.0psf; h=15ft; Cat. II; Exp C; Enclosed; MWFRS (envelope); Lumber DOL=1.60 plate grip DOL=1.60
- This truss has been designed for a 10.0 psf bottom chord live load nonconcurrent with any other live loads.
- * This truss has been designed for a live load of 30.0psf on the bottom chord in all areas where a rectangle 3-6-0 tall by 2-0-0 wide will fit between the bottom chord and any other members.
- WARNING: Required bearing size at joint(s) 9 greater than input bearing size.
- Refer to girder(s) for truss to truss connections.
- Provide mechanical connection (by others) of truss to bearing plate capable of withstanding 100 lb uplift at joint(s) except (jt=lb) 8=158, 2=776, 9=846.
- Hanger(s) or other connection device(s) shall be provided sufficient to support concentrated load(s) 1485 lb down and 206 lb up at 1-8-12, 1485 lb down and 206 lb up at 3-8-12, 1485 lb down and 206 lb up at 5-8-12, 1485 lb down and 206 lb up at 7-8-12, 1485 lb down and 206 lb up at 9-8-12, and 1485 lb down and 206 lb up at 11-8-12, and 1485 lb down and 206 lb up at 13-8-12 on bottom chord. The design/selection of such connection device(s) is the responsibility of others.

LOAD CASE(S) Standard

Continued on page 2



September 15, 2022

WARNING - Verify design parameters and READ NOTES ON THIS AND INCLUDED MITEK REFERENCE PAGE MII-7473 rev. 5/19/2020 BEFORE USE.

Design valid for use only with MiTek® connectors. This design is based only upon parameters shown, and is for an individual building component, not a truss system. Before use, the building designer must verify the applicability of design parameters and properly incorporate this design into the overall building design. Bracing indicated is to prevent buckling of individual truss web and/or chord members only. Additional temporary and permanent bracing is always required for stability and to prevent collapse with possible personal injury and property damage. For general guidance regarding the fabrication, storage, delivery, erection and bracing of trusses and truss systems, see ANSIP/TPI1 Quality Criteria, DSB-89 and BCSI Building Component Safety Information available from Truss Plate Institute, 2670 Crain Highway, Suite 203 Waldorf, MD 20601



818 Soundside Road
 Edenton, NC 27932

Job	Truss	Truss Type	Qty	Ply	Lot 135 Hidden Lakes	I54232534
J1122-5625	C2-GR	COMMON	1	2	Job Reference (optional)	

Comtech, Inc, Fayetteville, NC - 28314,

8,430 s Jan 6 2022 MiTek Industries, Inc. Thu Sep 15 14:15:27 2022 Page 2
 ID:pRH1C9Efk0ZVsLDXhFWTRyeOMT-HCdakiP_kdjx7wP7vzf1ntqNRAUCNYqavKFJNydMUK

LOAD CASE(S) Standard

1) Dead + Roof Live (balanced): Lumber Increase=1.15, Plate Increase=1.15

Uniform Loads (plf)

Vert: 1-5=-60, 5-8=-60, 2-8=-20

Concentrated Loads (lb)

Vert: 13=-1287(B) 14=-1287(B) 15=-1287(B) 16=-1287(B) 17=-1287(B) 18=-1287(B) 19=-1287(B)

WARNING - Verify design parameters and READ NOTES ON THIS AND INCLUDED MITEK REFERENCE PAGE MII-7473 rev. 5/19/2020 BEFORE USE.

Design valid for use only with MiTek® connectors. This design is based only upon parameters shown, and is for an individual building component, not a truss system. Before use, the building designer must verify the applicability of design parameters and properly incorporate this design into the overall building design. Bracing indicated is to prevent buckling of individual truss web and/or chord members only. Additional temporary and permanent bracing is always required for stability and to prevent collapse with possible personal injury and property damage. For general guidance regarding the fabrication, storage, delivery, erection and bracing of trusses and truss systems, see **ANSI/TPI1 Quality Criteria, DSB-89 and BCSI Building Component Safety Information** available from Truss Plate Institute, 2670 Crain Highway, Suite 203 Waldorf, MD 20601



818 Soundside Road
 Edenton, NC 27932

Job J1122-5625	Truss D1-GR	Truss Type Common Girder	Qty 1	Ply 2	Lot 135 Hidden Lakes	154232535
-------------------	----------------	-----------------------------	----------	----------	----------------------	-----------

Comtech, Inc, Fayetteville, NC - 28314, 8.430 s Jan 6 2022 MiTek Industries, Inc. Thu Sep 15 14:15:29 2022 Page 1
 ID:pR11C9Effk0ZVsLDXhFWTRyeOMT-EalL9NRFGEzNDZW0Oid6Cy?YFpggFB72DpMNFyMUi

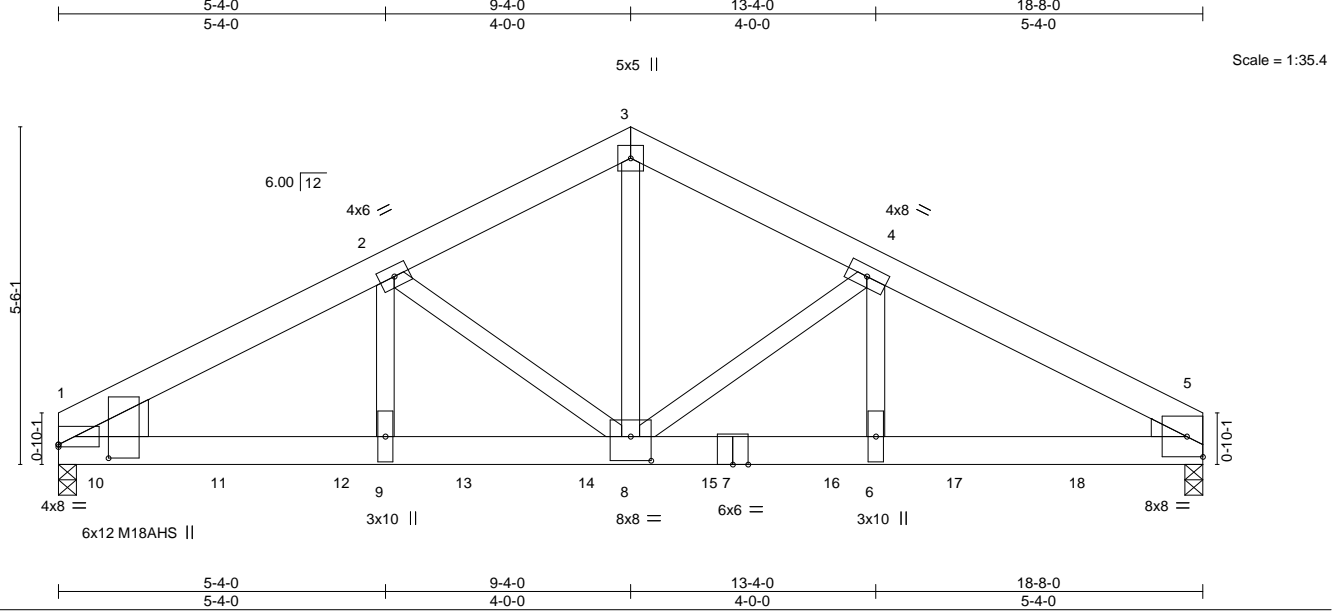


Plate Offsets (X,Y)-- [1:0-2-11,0-9-13], [1:0-0-0,0-0-7], [8:0-4-0,0-4-12]

LOADING (psf)	SPACING-	CSI.	DEFL.	in (loc)	l/defl	L/d	PLATES	GRIP
TCLL 20.0	2-0-0	TC 0.98	Vert(LL)	-0.09	5-6	>999	MT20	244/190
TCDL 10.0	Plate Grip DOL 1.15	BC 0.73	Vert(CT)	-0.17	5-6	>999	M18AHS	186/179
BCLL 0.0 *	Lumber DOL 1.15	WB 0.70	Horz(CT)	0.06	5	n/a		
BCDL 10.0	Rep Stress Incr NO	Matrix-S	Wind(LL)	0.07	5-6	>999		
	Code IRC2015/TPI2014						Weight: 252 lb	FT = 20%

LUMBER-
 TOP CHORD 2x6 SP No.1
 BOT CHORD 2x6 SP 2400F 2.0E
 WEBS 2x4 SP No.2
 WEDGE
 Left: 2x8 SP No.1 , Right: 2x4 SP No.2

BRACING-
 TOP CHORD Structural wood sheathing directly applied or 5-0-7 oc purlins.
 BOT CHORD Rigid ceiling directly applied or 10-0-0 oc bracing.

REACTIONS. (size) 5=0-3-8, 1=0-3-8
 Max Horz 1=87(LC 7)
 Max Uplift 5=866(LC 9), 1=968(LC 8)
 Max Grav 5=6116(LC 2), 1=6921(LC 2)

FORCES. (lb) - Max. Comp./Max. Ten. - All forces 250 (lb) or less except when shown.
 TOP CHORD 1-2=-9614/1345, 2-3=-6791/1002, 3-4=-6789/1002, 4-5=-9812/1379
 BOT CHORD 1-9=-1171/8285, 8-9=-1171/8285, 6-8=-1119/8451, 5-6=-1119/8451
 WEBS 3-8=-794/5730, 4-8=-3001/529, 2-8=-2793/493, 2-9=-363/3252, 4-6=-403/3492

- NOTES-**
- 2-ply truss to be connected together with 10d (0.131"x3") nails as follows:
 Top chords connected as follows: 2x6 - 2 rows staggered at 0-9-0 oc.
 Bottom chords connected as follows: 2x6 - 2 rows staggered at 0-5-0 oc.
 Webs connected as follows: 2x4 - 1 row at 0-9-0 oc.
 - All loads are considered equally applied to all plies, except if noted as front (F) or back (B) face in the LOAD CASE(S) section. Ply to ply connections have been provided to distribute only loads noted as (F) or (B), unless otherwise indicated.
 - Unbalanced roof live loads have been considered for this design.
 - Wind: ASCE 7-10; Vult=150mph Vasd=119mph; TCCL=6.0psf; BCDL=6.0psf; h=15ft; Cat. II; Exp C; Enclosed; MWFRS (envelope); Lumber DOL=1.60 plate grip DOL=1.60
 - All plates are MT20 plates unless otherwise indicated.
 - This truss has been designed for a 10.0 psf bottom chord live load nonconcurrent with any other live loads.
 - * This truss has been designed for a live load of 30.0psf on the bottom chord in all areas where a rectangle 3-6-0 tall by 2-0-0 wide will fit between the bottom chord and any other members.
 - Provide mechanical connection (by others) of truss to bearing plate capable of withstanding 100 lb uplift at joint(s) except (jt=lb) 5=866, 1=968.
 - Hanger(s) or other connection device(s) shall be provided sufficient to support concentrated load(s) 1390 lb down and 191 lb up at 0-7-12, 1385 lb down and 196 lb up at 2-7-12, 1205 lb down and 167 lb up at 4-7-12, 1205 lb down and 167 lb up at 6-7-12, 1205 lb down and 167 lb up at 8-7-12, 1205 lb down and 167 lb up at 10-7-12, 1385 lb down and 196 lb up at 12-7-12, and 1385 lb down and 196 lb up at 14-7-12, and 1385 lb down and 196 lb up at 16-7-12 on bottom chord. The design/selection of such connection device(s) is the responsibility of others.


LOAD CASE(S) Standard

Continued on page 2



September 15, 2022

WARNING - Verify design parameters and READ NOTES ON THIS AND INCLUDED MITEK REFERENCE PAGE MII-7473 rev. 5/19/2020 BEFORE USE.
 Design valid for use only with MiTek® connectors. This design is based only upon parameters shown, and is for an individual building component, not a truss system. Before use, the building designer must verify the applicability of design parameters and properly incorporate this design into the overall building design. Bracing indicated is to prevent buckling of individual truss web and/or chord members only. Additional temporary and permanent bracing is always required for stability and to prevent collapse with possible personal injury and property damage. For general guidance regarding the fabrication, storage, delivery, erection and bracing of trusses and truss systems, see ANSIP/TPI1 Quality Criteria, DSB-89 and BCSI Building Component Safety Information available from Truss Plate Institute, 2670 Crain Highway, Suite 203 Waldorf, MD 20601



818 Soundside Road
 Edenton, NC 27932

Job	Truss	Truss Type	Qty	Ply	Lot 135 Hidden Lakes	I54232535
J1122-5625	D1-GR	Common Girder	1	2	Job Reference (optional)	

Comtech, Inc, Fayetteville, NC - 28314,

8,430 s Jan 6 2022 MiTek Industries, Inc. Thu Sep 15 14:15:29 2022 Page 2
 ID:pR11C9Effk0ZVsLDXhFWTRyeOMT-EalL9NRFGEzfNDZW0OiD6Cy?YFpggFB72DpMNFydMUi

LOAD CASE(S) Standard

1) Dead + Roof Live (balanced): Lumber Increase=1.15, Plate Increase=1.15

Uniform Loads (plf)

Vert: 1-3=-60, 3-5=-60, 1-5=-20

Concentrated Loads (lb)

Vert: 10=-1209(F) 11=-1204(F) 12=-1057(F) 13=-1057(F) 14=-1057(F) 15=-1057(F) 16=-1204(F) 17=-1204(F) 18=-1204(F)

WARNING - Verify design parameters and READ NOTES ON THIS AND INCLUDED MITEK REFERENCE PAGE MII-7473 rev. 5/19/2020 BEFORE USE.

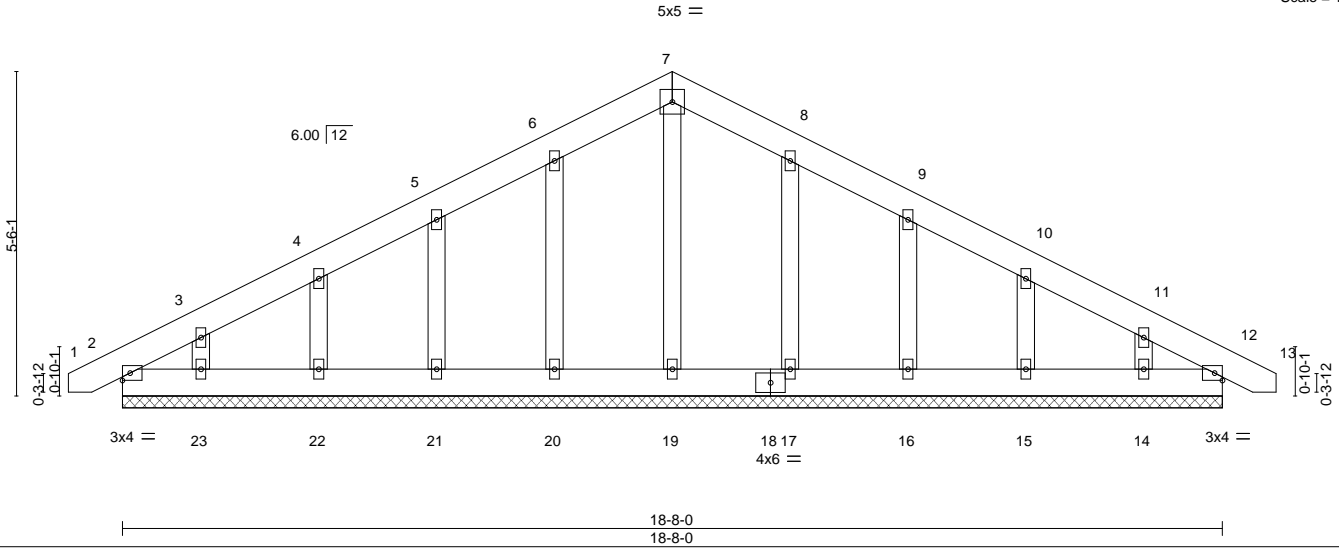
Design valid for use only with MiTek® connectors. This design is based only upon parameters shown, and is for an individual building component, not a truss system. Before use, the building designer must verify the applicability of design parameters and properly incorporate this design into the overall building design. Bracing indicated is to prevent buckling of individual truss web and/or chord members only. Additional temporary and permanent bracing is always required for stability and to prevent collapse with possible personal injury and property damage. For general guidance regarding the fabrication, storage, delivery, erection and bracing of trusses and truss systems, see **ANSI/TPI1 Quality Criteria, DSB-89 and BCSI Building Component Safety Information** available from Truss Plate Institute, 2670 Crain Highway, Suite 203 Waldorf, MD 20601



818 Soundside Road
 Edenton, NC 27932

Job J1122-5625	Truss D1GE	Truss Type COMMON SUPPORTED GAB	Qty 1	Ply 1	Lot 135 Hidden Lakes	I54232536
Comtech, Inc, Fayetteville, NC - 28314,					8,430 s Jan 6 2022 MiTek Industries, Inc. Thu Sep 15 14:15:28 2022 Page 1	
					Job Reference (optional)	
					ID:pR11C9Efk0ZVsLDXhFWTRyeOMT-IOByx2QdVxrol4_JThA_Z_P3drfdxyF_pz3prpydMUj	
					18-8-0	
					9-4-0	
					19-7-0	
					0-11-0	
					0-11-0	
					9-4-0	

Scale = 1:36.8



LOADING (psf)	SPACING-	CSI.	DEFL.	PLATES	GRIP
TCLL 20.0	2-0-0	TC 0.03	in (loc) l/defl L/d	MT20	244/190
TCDL 10.0	Plate Grip DOL 1.15	BC 0.01	Vert(LL) -0.00 12 n/r 120		
BCLL 0.0 *	Lumber DOL 1.15	WB 0.04	Vert(CT) -0.00 12 n/r 120		
BCDL 10.0	Rep Stress Incr YES	Matrix-S	Horz(CT) 0.00 12 n/a n/a		
	Code IRC2015/TPI2014			Weight: 130 lb	FT = 20%

LUMBER-	BRACING-
TOP CHORD 2x6 SP No.1	TOP CHORD Structural wood sheathing directly applied or 6-0-0 oc purlins.
BOT CHORD 2x6 SP No.1	BOT CHORD Rigid ceiling directly applied or 10-0-0 oc bracing.
OTHERS 2x4 SP No.2	


REACTIONS. All bearings 18-8-0.
 (lb) - Max Horz 2=135(LC 13)
 Max Uplift All uplift 100 lb or less at joint(s) 2, 17, 12 except 20=101(LC 12), 21=112(LC 12), 22=111(LC 12), 23=131(LC 12), 16=114(LC 13), 15=110(LC 13), 14=120(LC 13)
 Max Grav All reactions 250 lb or less at joint(s) 2, 19, 20, 21, 22, 23, 17, 16, 15, 14, 12

FORCES. (lb) - Max. Comp./Max. Ten. - All forces 250 (lb) or less except when shown.

- NOTES-**
- Unbalanced roof live loads have been considered for this design.
 - Wind: ASCE 7-10; Vult=150mph Vasd=119mph; TCCL=6.0psf; BCCL=6.0psf; h=15ft; Cat. II; Exp C; Enclosed; MWFRS (envelope) gable end zone and C-C Exterior(2) zone; C-C for members and forces & MWFRS for reactions shown; Lumber DOL=1.60 plate grip DOL=1.60
 - Truss designed for wind loads in the plane of the truss only. For studs exposed to wind (normal to the face), see Standard Industry Gable End Details as applicable, or consult qualified building designer as per ANSI/TPI 1.
 - All plates are 2x4 MT20 unless otherwise indicated.
 - Gable requires continuous bottom chord bearing.
 - Gable studs spaced at 2-0-0 oc.
 - This truss has been designed for a 10.0 psf bottom chord live load nonconcurrent with any other live loads.
 - * This truss has been designed for a live load of 30.0psf on the bottom chord in all areas where a rectangle 3-6-0 tall by 2-0-0 wide will fit between the bottom chord and any other members.
 - Provide mechanical connection (by others) of truss to bearing plate capable of withstanding 100 lb uplift at joint(s) 2, 17, 12 except (jt=lb) 20=101, 21=112, 22=111, 23=131, 16=114, 15=110, 14=120.
 - Beveled plate or shim required to provide full bearing surface with truss chord at joint(s) 2.



September 15, 2022

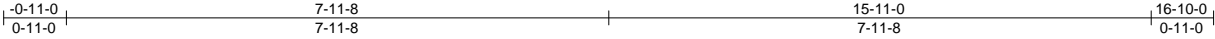
<p>WARNING - Verify design parameters and READ NOTES ON THIS AND INCLUDED MITEK REFERENCE PAGE MII-7473 rev. 5/19/2020 BEFORE USE.</p> <p>Design valid for use only with MiTek® connectors. This design is based only upon parameters shown, and is for an individual building component, not a truss system. Before use, the building designer must verify the applicability of design parameters and properly incorporate this design into the overall building design. Bracing indicated is to prevent buckling of individual truss web and/or chord members only. Additional temporary and permanent bracing is always required for stability and to prevent collapse with possible personal injury and property damage. For general guidance regarding the fabrication, storage, delivery, erection and bracing of trusses and truss systems, see ANSI/TPI1 Quality Criteria, DSB-89 and BCSI Building Component Safety Information available from Truss Plate Institute, 2670 Crain Highway, Suite 203 Waldorf, MD 20601</p>	 <p>818 Soundside Road Edenton, NC 27932</p>
--	---

Job J1122-5625	Truss G1	Truss Type COMMON	Qty 5	Ply 1	Lot 135 Hidden Lakes	I54232537
-------------------	-------------	----------------------	----------	----------	----------------------	-----------

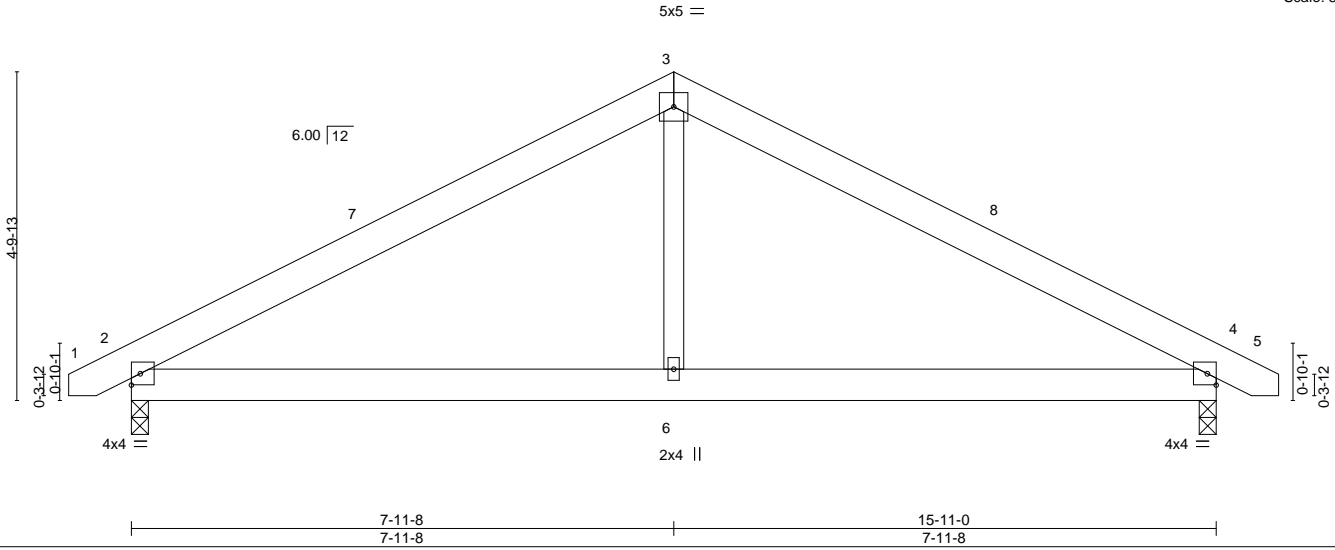
Comtech, Inc, Fayetteville, NC - 28314,

8,430 s Jan 6 2022 MiTek Industries, Inc. Thu Sep 15 14:15:30 2022 Page 1

ID:pR11C9Efk0ZVsLDXhFWTRyeOMT-inJjMjSt1Y6W_N8ia6DSePVL5fF8Pr5GGYvwyidMUh



Scale: 3/8"=1'



LOADING (psf)	SPACING-	2-0-0	CSI.	DEFL.	in (loc)	l/defl	L/d	PLATES	GRIP	
TCLL 20.0	Plate Grip DOL	1.15	TC 0.29	Vert(LL)	-0.02	2-6	>999	360	MT20	244/190
TCDL 10.0	Lumber DOL	1.15	BC 0.33	Vert(CT)	-0.05	2-6	>999	240		
BCLL 0.0 *	Rep Stress Incr	YES	WB 0.09	Horz(CT)	0.01	4	n/a	n/a		
BCDL 10.0	Code IRC2015/TPI2014		Matrix-S	Wind(LL)	0.02	2-6	>999	240	Weight: 90 lb	FT = 20%

LUMBER-	BRACING-
TOP CHORD 2x6 SP No.1	TOP CHORD Structural wood sheathing directly applied or 6-0-0 oc purlins.
BOT CHORD 2x6 SP No.1	BOT CHORD Rigid ceiling directly applied or 10-0-0 oc bracing.
WEBS 2x4 SP No.2	

REACTIONS. (size) 2=0-3-0, 4=0-3-0
 Max Horz 2=75(LC 11)
 Max Uplift 2=130(LC 12), 4=-130(LC 13)
 Max Grav 2=677(LC 1), 4=677(LC 1)

FORCES. (lb) - Max. Comp./Max. Ten. - All forces 250 (lb) or less except when shown.
 TOP CHORD 2-3=-856/382, 3-4=-856/378
 BOT CHORD 2-6=-174/655, 4-6=-174/655
 WEBS 3-6=0/380

- NOTES-**
- 1) Unbalanced roof live loads have been considered for this design.
 - 2) Wind: ASCE 7-10; Vult=150mph Vasd=119mph; TCCL=6.0psf; BCDL=6.0psf; h=15ft; Cat. II; Exp C; Enclosed; MWFRS (envelope) and C-C Exterior(2) -0-8-10 to 3-8-3, Interior(1) 3-8-3 to 7-11-8, Exterior(2) 7-11-8 to 12-4-5, Interior(1) 12-4-5 to 16-7-10 zone; C-C for members and forces & MWFRS for reactions shown; Lumber DOL=1.60 plate grip DOL=1.60
 - 3) This truss has been designed for a 10.0 psf bottom chord live load nonconcurrent with any other live loads.
 - 4) * This truss has been designed for a live load of 30.0psf on the bottom chord in all areas where a rectangle 3-6-0 tall by 2-0-0 wide will fit between the bottom chord and any other members.
 - 5) Provide mechanical connection (by others) of truss to bearing plate capable of withstanding 100 lb uplift at joint(s) except (jt=lb) 2=130, 4=130.



September 15, 2022

WARNING - Verify design parameters and READ NOTES ON THIS AND INCLUDED MITEK REFERENCE PAGE MII-7473 rev. 5/19/2020 BEFORE USE.
 Design valid for use only with MiTek® connectors. This design is based only upon parameters shown, and is for an individual building component, not a truss system. Before use, the building designer must verify the applicability of design parameters and properly incorporate this design into the overall building design. Bracing indicated is to prevent buckling of individual truss web and/or chord members only. Additional temporary and permanent bracing is always required for stability and to prevent collapse with possible personal injury and property damage. For general guidance regarding the fabrication, storage, delivery, erection and bracing of trusses and truss systems, see **ANSI/TPI1 Quality Criteria, DSB-89 and BCSI Building Component Safety Information** available from Truss Plate Institute, 2670 Crain Highway, Suite 203 Waldorf, MD 20601

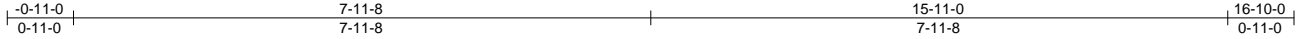
818 Soundside Road
Edenton, NC 27932

Job J1122-5625	Truss G1GE	Truss Type COMMON SUPPORTED GAB	Qty 1	Ply 1	Lot 135 Hidden Lakes Job Reference (optional)	I54232538
-------------------	---------------	------------------------------------	----------	----------	--	-----------

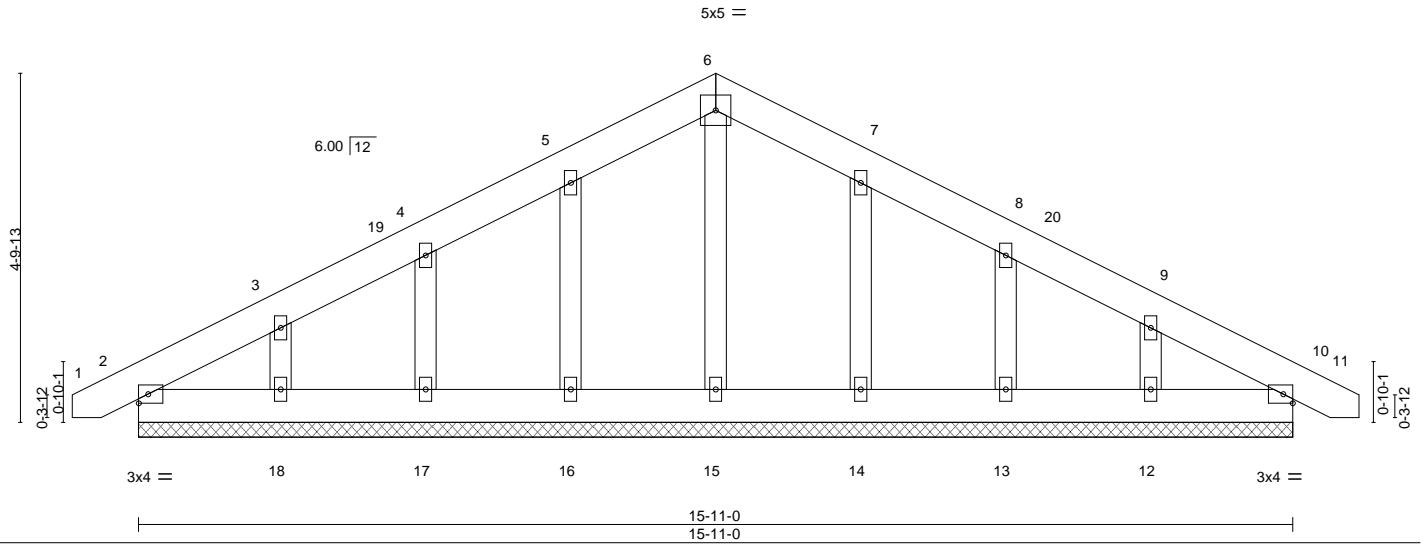
Comtech, Inc, Fayetteville, NC - 28314,

8,430 s Jan 6 2022 MiTek Industries, Inc. Thu Sep 15 14:15:31 2022 Page 1

ID:pR1C9Efk0ZVsLDXhFWTRyeOMT-Azt5Z3SVosENcXju8pkhBd1al2gG8JwQVXITS8ydMUg



Scale = 1:29.9



LOADING (psf)	SPACING-	CSI.	DEFL.	PLATES	GRIP
TCLL 20.0	2-0-0	TC 0.04	in (loc) l/defl L/d	MT20	244/190
TCDL 10.0	Plate Grip DOL 1.15	BC 0.02	Vert(LL) 0.00 10 n/r 120		
BCLL 0.0 *	Lumber DOL 1.15	WB 0.05	Vert(CT) 0.00 10 n/r 120		
BCDL 10.0	Rep Stress Incr YES	Matrix-S	Horz(CT) 0.00 10 n/a n/a		
	Code IRC2015/TPI2014			Weight: 107 lb	FT = 20%

LUMBER-	BRACING-
TOP CHORD 2x6 SP No.1	TOP CHORD Structural wood sheathing directly applied or 6-0-0 oc purlins.
BOT CHORD 2x6 SP No.1	BOT CHORD Rigid ceiling directly applied or 10-0-0 oc bracing.
OTHERS 2x4 SP No.2	

REACTIONS. All bearings 15-11-0.
 (lb) - Max Horz 2=75(LC 11)
 Max Uplift All uplift 100 lb or less at joint(s) 2, 10, 16, 17, 18, 14, 13, 12
 Max Grav All reactions 250 lb or less at joint(s) 2, 10, 15, 16, 17, 18, 14, 13, 12

FORCES. (lb) - Max. Comp./Max. Ten. - All forces 250 (lb) or less except when shown.
 TOP CHORD 5-6=-86/263, 6-7=-86/265
 WEBS 3-18=-118/277, 9-12=-118/277

- NOTES-**
- Unbalanced roof live loads have been considered for this design.
 - Wind: ASCE 7-10; Vult=150mph Vasd=119mph; TC DL=6.0psf; BC DL=6.0psf; h=15ft; Cat. II; Exp C; Enclosed; MWFRS (envelope) and C-C Corner(3) -0-8-10 to 3-11-8, Exterior(2) 3-11-8 to 7-11-8, Corner(3) 7-11-8 to 12-4-5, Exterior(2) 12-4-5 to 16-7-10 zone; C-C for members and forces & MWFRS for reactions shown; Lumber DOL=1.60 plate grip DOL=1.60
 - Truss designed for wind loads in the plane of the truss only. For studs exposed to wind (normal to the face), see Standard Industry Gable End Details as applicable, or consult qualified building designer as per ANSI/TPI 1.
 - All plates are 2x4 MT20 unless otherwise indicated.
 - Gable requires continuous bottom chord bearing.
 - Gable studs spaced at 2-0-0 oc.
 - This truss has been designed for a 10.0 psf bottom chord live load nonconcurrent with any other live loads.
 - * This truss has been designed for a live load of 30.0psf on the bottom chord in all areas where a rectangle 3-6-0 tall by 2-0-0 wide will fit between the bottom chord and any other members.
 - Provide mechanical connection (by others) of truss to bearing plate capable of withstanding 100 lb uplift at joint(s) 2, 10, 16, 17, 18, 14, 13, 12.



September 15, 2022

WARNING - Verify design parameters and READ NOTES ON THIS AND INCLUDED MITEK REFERENCE PAGE MII-7473 rev. 5/19/2020 BEFORE USE.
 Design valid for use only with MiTek® connectors. This design is based only upon parameters shown, and is for an individual building component, not a truss system. Before use, the building designer must verify the applicability of design parameters and properly incorporate this design into the overall building design. Bracing indicated is to prevent buckling of individual truss web and/or chord members only. Additional temporary and permanent bracing is always required for stability and to prevent collapse with possible personal injury and property damage. For general guidance regarding the fabrication, storage, delivery, erection and bracing of trusses and truss systems, see **ANSI/TPI1 Quality Criteria, DSB-89 and BCSI Building Component Safety Information** available from Truss Plate Institute, 2670 Crain Highway, Suite 203 Waldorf, MD 20601

818 Soundside Road
Edenton, NC 27932

Job J1122-5625	Truss H1	Truss Type COMMON	Qty 3	Ply 1	Lot 135 Hidden Lakes Job Reference (optional)	154232539
-------------------	-------------	----------------------	----------	----------	--	-----------

Comtech, Inc, Fayetteville, NC - 28314,

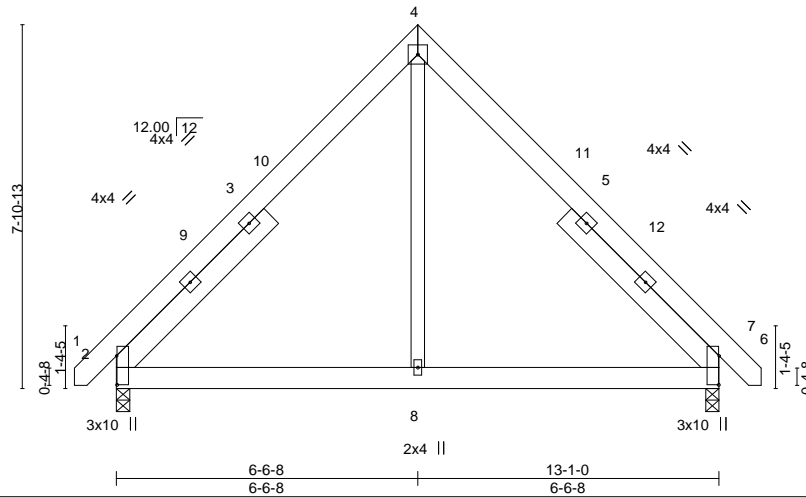
8,430 s Jan 6 2022 MiTek Industries, Inc. Thu Sep 15 14:15:32 2022 Page 1

ID:pR11C9Efk0ZVsLDXhFWTRyeOMT-e9RTnPT7Z9MDEhI5iXfWkqah4S_attZkB10_aydMUf

0-11-0 6-6-8 13-1-0 14-0-0
0-11-0 6-6-8 6-6-8 0-11-0

5x5 =

Scale = 1:47.1



LOADING (psf)		SPACING-		CSI.		DEFL.				PLATES		GRIP	
TCLL	20.0	Plate Grip DOL	1.15	TC	0.26	Vert(LL)	-0.01	6-8	>999	360	MT20	244/190	
TCDL	10.0	Lumber DOL	1.15	BC	0.14	Vert(CT)	-0.02	6-8	>999	240	Weight: 113 lb FT = 20%		
BCLL	0.0 *	Rep Stress Incr	YES	WB	0.07	Horz(CT)	0.00	6	n/a	n/a			
BCDL	10.0	Code	IRC2015/TPI2014	Matrix-S		Wind(LL)	0.01	2-8	>999	240			

LUMBER-

TOP CHORD 2x6 SP No.1
 BOT CHORD 2x6 SP No.1
 WEBS 2x4 SP No.2
 SLIDER Left 2x6 SP No.1 4-8-7, Right 2x6 SP No.1 4-8-7

BRACING-

TOP CHORD Structural wood sheathing directly applied or 6-0-0 oc purlins.
 BOT CHORD Rigid ceiling directly applied or 10-0-0 oc bracing.

REACTIONS.

(size) 2=0-3-8, 6=0-3-8
 Max Horz 2=-235(LC 8)
 Max Uplift 2=-86(LC 13), 6=-86(LC 12)
 Max Grav 2=570(LC 1), 6=570(LC 1)

FORCES. (lb) - Max. Comp./Max. Ten. - All forces 250 (lb) or less except when shown.

TOP CHORD 2-4=-539/254, 4-6=-539/254
 BOT CHORD 2-8=-38/317, 6-8=-38/317
 WEBS 4-8=0/301

NOTES-

- Unbalanced roof live loads have been considered for this design.
- Wind: ASCE 7-10; Vult=150mph Vasd=119mph; TCCL=6.0psf; BCCL=6.0psf; h=15ft; Cat. II; Exp C; Enclosed; MWFRS (envelope) and C-C Exterior(2) -0-9-6 to 3-7-7, Interior(1) 3-7-7 to 6-6-8, Exterior(2) 6-6-8 to 10-11-5, Interior(1) 10-11-5 to 13-10-6 zone; C-C for members and forces & MWFRS for reactions shown; Lumber DOL=1.60 plate grip DOL=1.60
- This truss has been designed for a 10.0 psf bottom chord live load nonconcurrent with any other live loads.
- * This truss has been designed for a live load of 30.0psf on the bottom chord in all areas where a rectangle 3-6-0 tall by 2-0-0 wide will fit between the bottom chord and any other members.
- Provide mechanical connection (by others) of truss to bearing plate capable of withstanding 100 lb uplift at joint(s) 2, 6.



September 15, 2022

WARNING - Verify design parameters and READ NOTES ON THIS AND INCLUDED MITEK REFERENCE PAGE MII-7473 rev. 5/19/2020 BEFORE USE.

Design valid for use only with MiTek® connectors. This design is based only upon parameters shown, and is for an individual building component, not a truss system. Before use, the building designer must verify the applicability of design parameters and properly incorporate this design into the overall building design. Bracing indicated is to prevent buckling of individual truss web and/or chord members only. Additional temporary and permanent bracing is always required for stability and to prevent collapse with possible personal injury and property damage. For general guidance regarding the fabrication, storage, delivery, erection and bracing of trusses and truss systems, see **ANSI/TPI1 Quality Criteria, DSB-89 and BCSI Building Component Safety Information** available from Truss Plate Institute, 2670 Crain Highway, Suite 203 Waldorf, MD 20601



818 Soundside Road
 Edenton, NC 27932

Job J1122-5625	Truss H1GE	Truss Type COMMON SUPPORTED GAB	Qty 1	Ply 1	Lot 135 Hidden Lakes Job Reference (optional)	I54232540
-------------------	---------------	------------------------------------	----------	----------	--	-----------

Comtech, Inc, Fayetteville, NC - 28314,

8,430 s Jan 6 2022 MiTek Industries, Inc. Thu Sep 15 14:15:33 2022 Page 1

ID: pRI1C9Efk0ZVsLDXhFWTRyeOMT-6M?r_UJUTU4rrtHFEEm9G27vnsMCCaXjzmZW1ydMUe



5x5 =

Scale = 1:46.4

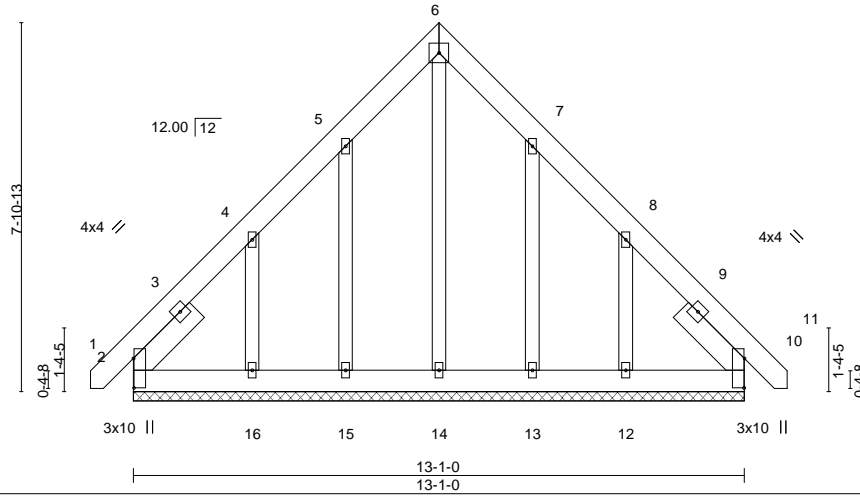


Plate Offsets (X,Y)-- [2:0-7-9,0-0-2], [10:0-7-9,0-0-2]

LOADING (psf)	SPACING-	CSI.	DEFL.	in (loc)	l/defl	L/d	PLATES	GRIP
TCLL 20.0	2-0-0	TC 0.07	Vert(LL)	0.00	10	n/r	MT20	244/190
TCDL 10.0	Plate Grip DOL 1.15	BC 0.05	Vert(CT)	0.00	10	n/r		
BCLL 0.0 *	Lumber DOL 1.15	WB 0.21	Horz(CT)	0.00	10	n/a		
BCDL 10.0	Rep Stress Incr YES	Matrix-S					Weight: 123 lb	FT = 20%
	Code IRC2015/TPI2014							

LUMBER-

TOP CHORD 2x6 SP No.1
 BOT CHORD 2x6 SP No.1
 OTHERS 2x4 SP No.2
 SLIDER Left 2x6 SP No.1 1-10-8, Right 2x6 SP No.1 1-10-8

BRACING-

TOP CHORD Structural wood sheathing directly applied or 6-0-0 oc purlins.
 BOT CHORD Rigid ceiling directly applied or 10-0-0 oc bracing.

REACTIONS.

All bearings 13-1-0.
 (lb) - Max Horz 2=-293(LC 8)
 Max Uplift All uplift 100 lb or less at joint(s) 10 except 2=-114(LC 8), 15=-137(LC 12), 13=-135(LC 13), 12=-368(LC 13)
 Max Grav All reactions 250 lb or less at joint(s) 10, 14, 15, 13 except 2=269(LC 20), 16=301(LC 19), 12=291(LC 20)

FORCES.

(lb) - Max. Comp./Max. Ten. - All forces 250 (lb) or less except when shown.
 TOP CHORD 2-4=-263/206, 5-6=-259/265, 6-7=-258/265
 WEBS 4-16=-351/366, 8-12=-351/359

NOTES-

- Unbalanced roof live loads have been considered for this design.
- Wind: ASCE 7-10; Vult=150mph Vasd=119mph; TCCL=6.0psf; BCCL=6.0psf; h=15ft; Cat. II; Exp C; Enclosed; MWFRS (envelope) gable end zone and C-C Exterior(2) zone; C-C for members and forces & MWFRS for reactions shown; Lumber DOL=1.60 plate grip DOL=1.60
- Truss designed for wind loads in the plane of the truss only. For studs exposed to wind (normal to the face), see Standard Industry Gable End Details as applicable, or consult qualified building designer as per ANSI/TPI 1.
- All plates are 2x4 MT20 unless otherwise indicated.
- Gable requires continuous bottom chord bearing.
- Gable studs spaced at 2-0-0 oc.
- This truss has been designed for a 10.0 psf bottom chord live load nonconcurrent with any other live loads.
- * This truss has been designed for a live load of 30.0psf on the bottom chord in all areas where a rectangle 3-6-0 tall by 2-0-0 wide will fit between the bottom chord and any other members.
- Provide mechanical connection (by others) of truss to bearing plate capable of withstanding 100 lb uplift at joint(s) 10 except (jt=lb) 2=114, 15=137, 16=377, 13=135, 12=368.
- Beveled plate or shim required to provide full bearing surface with truss chord at joint(s) 10.



September 15, 2022

WARNING - Verify design parameters and READ NOTES ON THIS AND INCLUDED MITEK REFERENCE PAGE MII-7473 rev. 5/19/2020 BEFORE USE.

Design valid for use only with MiTek® connectors. This design is based only upon parameters shown, and is for an individual building component, not a truss system. Before use, the building designer must verify the applicability of design parameters and properly incorporate this design into the overall building design. Bracing indicated is to prevent buckling of individual truss web and/or chord members only. Additional temporary and permanent bracing is always required for stability and to prevent collapse with possible personal injury and property damage. For general guidance regarding the fabrication, storage, delivery, erection and bracing of trusses and truss systems, see **ANSI/TPI1 Quality Criteria, DSB-89 and BCSI Building Component Safety Information** available from Truss Plate Institute, 2670 Crain Highway, Suite 203 Waldorf, MD 20601



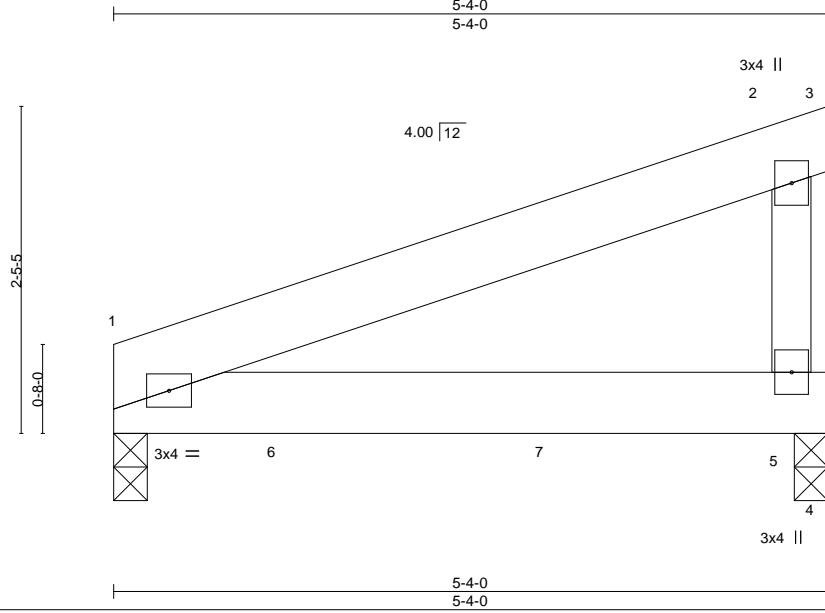
818 Soundside Road
 Edenton, NC 27932

Job J1122-5625	Truss M1-GR	Truss Type Monopitch Girder	Qty 1	Ply 2	Lot 135 Hidden Lakes Job Reference (optional)	154232541
-------------------	----------------	--------------------------------	----------	----------	--	-----------

Comtech, Inc, Fayetteville, NC - 28314,

8,430 s Jan 6 2022 MiTek Industries, Inc. Thu Sep 15 14:15:34 2022 Page 1

ID:pR1C9Efffk0ZVsLDXhFWTRyeOMT-aYYEC5VN4ncxT?STpyHOFF4IGfELgPsBVW73TydMUd



Scale = 1:16.2

LOADING (psf)	SPACING-	CSI.	DEFL.	in (loc)	I/defl	L/d	PLATES	GRIP
TCLL 20.0	Plate Grip DOL 1.15	TC 0.08	Vert(LL) -0.02	1-5	>999	360	MT20	244/190
TCDL 10.0	Lumber DOL 1.15	BC 0.26	Vert(CT) -0.04	1-5	>999	240		
BCLL 0.0 *	Rep Stress Incr NO	WB 0.00	Horz(CT) 0.00	n/a	n/a	n/a		
BCDL 10.0	Code IRC2015/TPI2014	Matrix-P	Wind(LL) 0.02	1-5	>999	240	Weight: 56 lb	FT = 20%

LUMBER-	BRACING-
TOP CHORD 2x6 SP No.1	TOP CHORD Structural wood sheathing directly applied or 5-4-0 oc purlins, except end verticals.
BOT CHORD 2x6 SP No.1	BOT CHORD Rigid ceiling directly applied or 10-0-0 oc bracing.
WEBS 2x4 SP No.2	

REACTIONS. (size) 1=0-3-0, 5=0-3-0
 Max Horz 1=85(LC 4)
 Max Uplift 1=-136(LC 4), 5=-316(LC 4)
 Max Grav 1=561(LC 1), 5=598(LC 1)

FORCES. (lb) - Max. Comp./Max. Ten. - All forces 250 (lb) or less except when shown.

- NOTES-**
- 2-ply truss to be connected together as follows:
 Top chords connected with 10d (0.131"x3") nails as follows: 2x6 - 2 rows staggered at 0-9-0 oc, 2x4 - 1 row at 0-9-0 oc.
 Bottom chords connected with 10d (0.131"x3") nails as follows: 2x6 - 2 rows staggered at 0-9-0 oc.
 - All loads are considered equally applied to all plies, except if noted as front (F) or back (B) face in the LOAD CASE(S) section. Ply to ply connections have been provided to distribute only loads noted as (F) or (B), unless otherwise indicated.
 - Wind: ASCE 7-10; Vult=150mph Vasd=119mph; TC DL=6.0psf; BC DL=6.0psf; h=15ft; Cat. II; Exp C; Enclosed; MWFRS (envelope); porch left exposed; Lumber DOL=1.60 plate grip DOL=1.60
 - This truss has been designed for a 10.0 psf bottom chord live load nonconcurrent with any other live loads.
 - * This truss has been designed for a live load of 30.0psf on the bottom chord in all areas where a rectangle 3-6-0 tall by 2-0-0 wide will fit between the bottom chord and any other members.
 - Provide mechanical connection (by others) of truss to bearing plate capable of withstanding 100 lb uplift at joint(s) except (jt=lb) 1=136, 5=316.
 - Hanger(s) or other connection device(s) shall be provided sufficient to support concentrated load(s) 326 lb down and 66 lb up at 1-3-12, and 326 lb down and 66 lb up at 3-3-12, and 228 lb down and 172 lb up at 4-11-8 on bottom chord. The design/selection of such connection device(s) is the responsibility of others.

LOAD CASE(S) Standard
 1) Dead + Roof Live (balanced): Lumber Increase=1.15, Plate Increase=1.15
 Uniform Loads (plf)
 Vert: 1-2=-60, 2-3=-20, 1-4=-20
 Concentrated Loads (lb)
 Vert: 5=-100(B) 6=-326(B) 7=-326(B)



September 15, 2022

Job J1122-5625	Truss PB	Truss Type PIGGYBACK	Qty 26	Ply 1	Lot 135 Hidden Lakes Job Reference (optional)	I54232542
-------------------	-------------	-------------------------	-----------	----------	--	-----------

Comtech, Inc, Fayetteville, NC - 28314,

8,430 s Jan 6 2022 MiTek Industries, Inc. Thu Sep 15 14:15:35 2022 Page 1

ID:pRH1C9Efk0ZVsLDXhFWTRyeOMT-2k6cPRV0r4ko581fNfodLTCD1g194710Q9GgbvydMUc

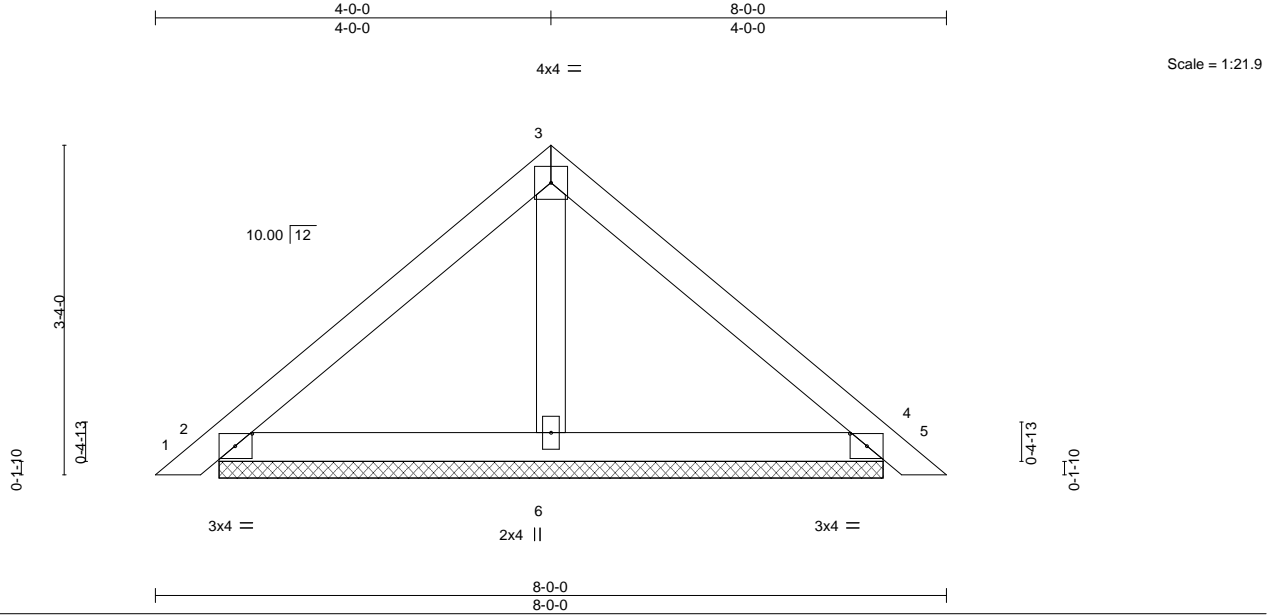


Plate Offsets (X,Y)--	[2:0-2-1,0-1-8], [4:0-2-1,0-1-8]
-----------------------	----------------------------------

LOADING (psf)	SPACING-	CSI.	DEFL.	in (loc)	l/defl	L/d	PLATES	GRIP
TCLL 20.0	2-0-0	TC 0.21	Vert(LL)	0.00	5	n/r	MT20	244/190
TCDL 10.0	Plate Grip DOL 1.15	BC 0.08	Vert(CT)	0.01	5	n/r		
BCLL 0.0 *	Lumber DOL 1.15	WB 0.02	Horz(CT)	0.00	4	n/a		
BCDL 10.0	Rep Stress Incr YES	Matrix-P					Weight: 29 lb	FT = 20%
	Code IRC2015/TPI2014							

LUMBER-	BRACING-
TOP CHORD 2x4 SP No.1	TOP CHORD Structural wood sheathing directly applied or 6-0-0 oc purlins.
BOT CHORD 2x4 SP No.1	BOT CHORD Rigid ceiling directly applied or 10-0-0 oc bracing.
OTHERS 2x4 SP No.2	


REACTIONS. (size) 2=6-8-9, 4=6-8-9, 6=6-8-9
 Max Horz 2=100(LC 10)
 Max Uplift 2=56(LC 12), 4=65(LC 13)
 Max Grav 2=182(LC 1), 4=182(LC 1), 6=223(LC 1)

FORCES. (lb) - Max. Comp./Max. Ten. - All forces 250 (lb) or less except when shown.

- NOTES-**
- 1) Unbalanced roof live loads have been considered for this design.
 - 2) Wind: ASCE 7-10; Vult=150mph Vasd=119mph; TC DL=6.0psf; BC DL=6.0psf; h=15ft; Cat. II; Exp C; Enclosed; MWFRS (envelope) and C-C Exterior(2) zone; C-C for members and forces & MWFRS for reactions shown; Lumber DOL=1.60 plate grip DOL=1.60
 - 3) Gable requires continuous bottom chord bearing.
 - 4) This truss has been designed for a 10.0 psf bottom chord live load nonconcurrent with any other live loads.
 - 5) * This truss has been designed for a live load of 30.0psf on the bottom chord in all areas where a rectangle 3-6-0 tall by 2-0-0 wide will fit between the bottom chord and any other members.
 - 6) Provide mechanical connection (by others) of truss to bearing plate capable of withstanding 100 lb uplift at joint(s) 2, 4.
 - 7) See Standard Industry Piggyback Truss Connection Detail for Connection to base truss as applicable, or consult qualified building designer.



September 15, 2022

<p>WARNING - Verify design parameters and READ NOTES ON THIS AND INCLUDED MITEK REFERENCE PAGE MII-7473 rev. 5/19/2020 BEFORE USE. Design valid for use only with MiTek® connectors. This design is based only upon parameters shown, and is for an individual building component, not a truss system. Before use, the building designer must verify the applicability of design parameters and properly incorporate this design into the overall building design. Bracing indicated is to prevent buckling of individual truss web and/or chord members only. Additional temporary and permanent bracing is always required for stability and to prevent collapse with possible personal injury and property damage. For general guidance regarding the fabrication, storage, delivery, erection and bracing of trusses and truss systems, see ANSI/TPI1 Quality Criteria, DSB-89 and BCSI Building Component Safety Information available from Truss Plate Institute, 2670 Crain Highway, Suite 203 Waldorf, MD 20601</p>	 818 Soundside Road Edenton, NC 27932
--	--

Job J1122-5625	Truss PBGE	Truss Type GABLE	Qty 2	Ply 1	Lot 135 Hidden Lakes Job Reference (optional)	154232543
-------------------	---------------	---------------------	----------	----------	--	-----------

Comtech, Inc, Fayetteville, NC - 28314, 8,430 s Jan 6 2022 MiTek Industries, Inc. Thu Sep 15 14:15:36 2022 Page 1
 ID:pRI1C9Efk0ZVsLDXhFWTRyeOMT-Wxg_dnWecOsfilbsxMKsugkRG3NMpak9fp?E7LydMUb

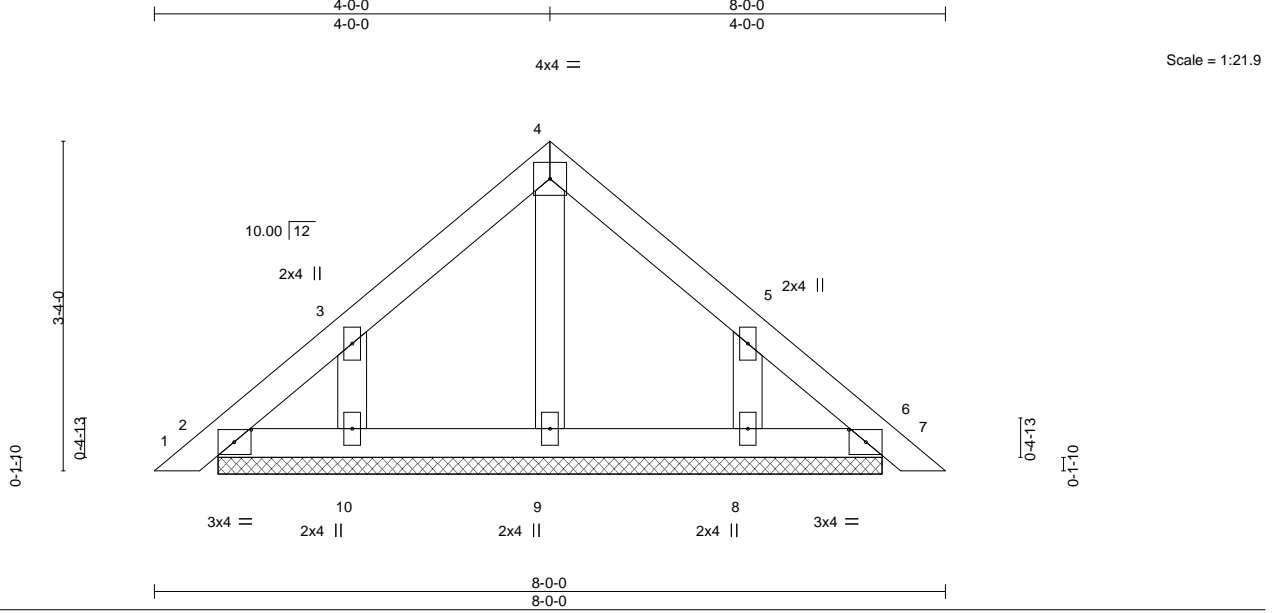


Plate Offsets (X,Y)-- [2:0-2-1,0-1-8], [6:0-2-1,0-1-8]

LOADING (psf)	SPACING-	CSI.	DEFL.	in (loc)	l/defl	L/d	PLATES	GRIP
TCLL 20.0	2-0-0	TC 0.05	Vert(LL)	-0.00	6	n/r	MT20	244/190
TCDL 10.0	Plate Grip DOL 1.15	BC 0.02	Vert(CT)	0.00	6	n/r		
BCLL 0.0 *	Lumber DOL 1.15	WB 0.04	Horz(CT)	0.00	6	n/a		
BCDL 10.0	Rep Stress Incr YES	Matrix-P					Weight: 32 lb	FT = 20%
	Code IRC2015/TPI2014							

LUMBER-	BRACING-
TOP CHORD 2x4 SP No.1	TOP CHORD Structural wood sheathing directly applied or 6-0-0 oc purlins.
BOT CHORD 2x4 SP No.1	BOT CHORD Rigid ceiling directly applied or 10-0-0 oc bracing.
OTHERS 2x4 SP No.2	

REACTIONS. All bearings 6-8-9.
 (lb) - Max Horz 2=125(LC 10)
 Max Uplift All uplift 100 lb or less at joint(s) 2, 6 except 10=177(LC 12), 8=176(LC 13)
 Max Grav All reactions 250 lb or less at joint(s) 2, 6, 9, 10, 8

FORCES. (lb) - Max. Comp./Max. Ten. - All forces 250 (lb) or less except when shown.

- NOTES-**
- Unbalanced roof live loads have been considered for this design.
 - Wind: ASCE 7-10; Vult=150mph Vasd=119mph; TCCL=6.0psf; BCDL=6.0psf; h=15ft; Cat. II; Exp C; Enclosed; MWFRS (envelope) gable end zone and C-C Exterior(2) zone; C-C for members and forces & MWFRS for reactions shown; Lumber DOL=1.60 plate grip DOL=1.60
 - Truss designed for wind loads in the plane of the truss only. For studs exposed to wind (normal to the face), see Standard Industry Gable End Details as applicable, or consult qualified building designer as per ANSI/TPI 1.
 - Gable requires continuous bottom chord bearing.
 - Gable studs spaced at 2-0-0 oc.
 - This truss has been designed for a 10.0 psf bottom chord live load nonconcurrent with any other live loads.
 - * This truss has been designed for a live load of 30.0psf on the bottom chord in all areas where a rectangle 3-6-0 tall by 2-0-0 wide will fit between the bottom chord and any other members.
 - Provide mechanical connection (by others) of truss to bearing plate capable of withstanding 100 lb uplift at joint(s) 2, 6 except (jt=lb) 10=177, 8=176.
 - See Standard Industry Piggyback Truss Connection Detail for Connection to base truss as applicable, or consult qualified building designer.



September 15, 2022

Job J1122-5625	Truss VC1	Truss Type VALLEY	Qty 1	Ply 1	Lot 135 Hidden Lakes Job Reference (optional)	I54232544
-------------------	--------------	----------------------	----------	----------	--	-----------

Comtech, Inc, Fayetteville, NC - 28314, 8,430 s Jan 6 2022 MiTek Industries, Inc. Thu Sep 15 14:15:37 2022 Page 1
 ID:pRI1C9Efk0ZVsLDXhFWTRyeOMT-?7EMq6XGNI_WKSA2U4r5RuHYkTh5Y?KItIngoydMUa

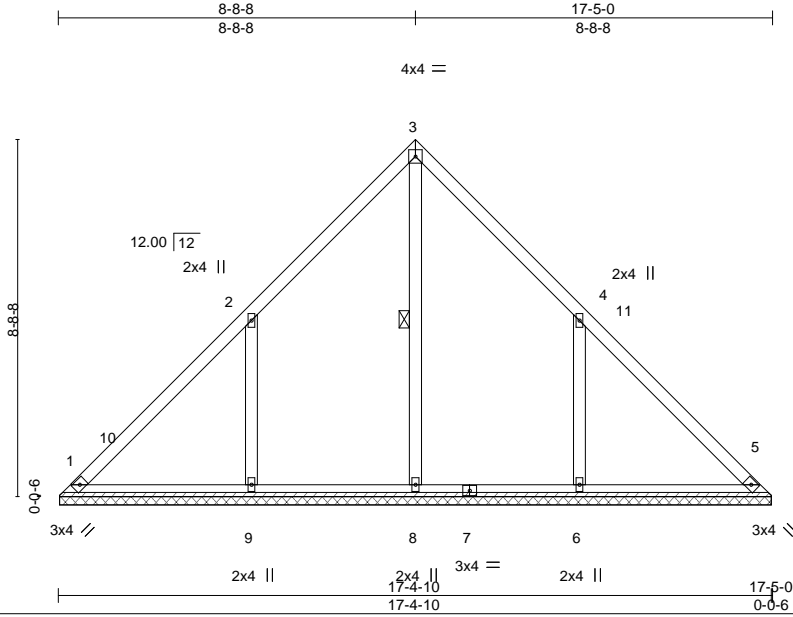


Plate Offsets (X,Y)-- [4:0-0,0,0-0]

LOADING (psf)	SPACING-	CSI.	DEFL.	in (loc)	l/defl	L/d	PLATES	GRIP	
TCLL 20.0	2-0-0	TC 0.26	Vert(LL)	n/a	-	n/a	999	MT20	244/190
TCDL 10.0	Plate Grip DOL 1.15	BC 0.18	Vert(CT)	n/a	-	n/a	999		
BCLL 0.0 *	Lumber DOL 1.15	WB 0.18	Horz(CT)	0.00	5	n/a	n/a		
BCDL 10.0	Rep Stress Incr YES	Matrix-S							
	Code IRC2015/TPI2014								
							Weight: 85 lb	FT = 20%	

LUMBER-	BRACING-
TOP CHORD 2x4 SP No.1	TOP CHORD Structural wood sheathing directly applied or 6-0-0 oc purlins.
BOT CHORD 2x4 SP No.1	BOT CHORD Rigid ceiling directly applied or 10-0-0 oc bracing.
OTHERS 2x4 SP No.2	WEBS 1 Row at midpt 3-8


REACTIONS. All bearings 17-4-4.
 (lb) - Max Horz 1=267(LC 8)
 Max Uplift All uplift 100 lb or less at joint(s) 1, 5 except 9=320(LC 12), 6=320(LC 13)
 Max Grav All reactions 250 lb or less at joint(s) 1, 5 except 8=427(LC 22), 9=582(LC 19), 6=582(LC 20)

FORCES. (lb) - Max. Comp./Max. Ten. - All forces 250 (lb) or less except when shown.
 TOP CHORD 2-3=-250/238, 3-4=-250/238
 WEBS 2-9=-569/466, 4-6=-569/466

- NOTES-**
- Unbalanced roof live loads have been considered for this design.
 - Wind: ASCE 7-10; Vult=150mph Vasd=119mph; TCCL=6.0psf; BCDL=6.0psf; h=15ft; Cat. II; Exp C; Enclosed; MWFRS (envelope) and C-C Exterior(2) 0-4-4 to 4-8-8, Interior(1) 4-8-8 to 8-8-8, Exterior(2) 8-8-8 to 13-1-5, Interior(1) 13-1-5 to 17-0-12 zone; C-C for members and forces & MWFRS for reactions shown; Lumber DOL=1.60 plate grip DOL=1.60
 - Gable requires continuous bottom chord bearing.
 - This truss has been designed for a 10.0 psf bottom chord live load nonconcurrent with any other live loads.
 - * This truss has been designed for a live load of 30.0psf on the bottom chord in all areas where a rectangle 3-6-0 tall by 2-0-0 wide will fit between the bottom chord and any other members, with BCDL = 10.0psf.
 - Provide mechanical connection (by others) of truss to bearing plate capable of withstanding 100 lb uplift at joint(s) 1, 5 except (jt=lb) 9=320, 6=320.



September 15, 2022

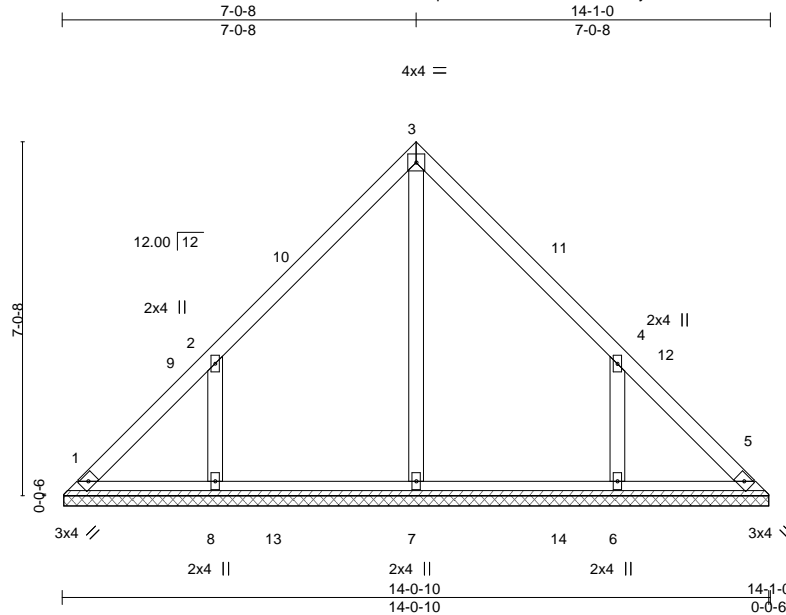
<p>WARNING - Verify design parameters and READ NOTES ON THIS AND INCLUDED MITEK REFERENCE PAGE MII-7473 rev. 5/19/2020 BEFORE USE. Design valid for use only with MiTek® connectors. This design is based only upon parameters shown, and is for an individual building component, not a truss system. Before use, the building designer must verify the applicability of design parameters and properly incorporate this design into the overall building design. Bracing indicated is to prevent buckling of individual truss web and/or chord members only. Additional temporary and permanent bracing is always required for stability and to prevent collapse with possible personal injury and property damage. For general guidance regarding the fabrication, storage, delivery, erection and bracing of trusses and truss systems, see ANSI/TPI1 Quality Criteria, DSB-89 and BCSI Building Component Safety Information available from Truss Plate Institute, 2670 Crain Highway, Suite 203 Waldorf, MD 20601</p>	 818 Soundside Road Edenton, NC 27932
--	--

Job J1122-5625	Truss VC2	Truss Type VALLEY	Qty 1	Ply 1	Lot 135 Hidden Lakes Job Reference (optional)	I54232545
-------------------	--------------	----------------------	----------	----------	--	-----------

Comtech, Inc, Fayetteville, NC - 28314,

8,430 s Jan 6 2022 MiTek Industries, Inc. Thu Sep 15 14:15:38 2022 Page 1

ID:pR1C9Effk0ZvsLDXhFWTRyeOMT-TJok1SYu8?6NyclE2nMKz5llt1WHTIS67UKEyeMUZ



Scale = 1:43.1

Plate Offsets (X,Y)-- [4:0-0-0,0-0-0]

LOADING (psf)	SPACING-	CS.I.	DEFL.	in (loc)	l/defl	L/d	PLATES	GRIP	
TCLL 20.0	2-0-0	TC 0.18	Vert(LL)	n/a	-	n/a	999	MT20	244/190
TCDL 10.0	Plate Grip DOL 1.15	BC 0.17	Vert(CT)	n/a	-	n/a	999		
BCLL 0.0 *	Lumber DOL 1.15	WB 0.11	Horz(CT)	0.00	5	n/a	n/a		
BCDL 10.0	Rep Stress Incr YES	Matrix-S							
	Code IRC2015/TPI2014								
							Weight: 66 lb	FT = 20%	

LUMBER-
 TOP CHORD 2x4 SP No.1
 BOT CHORD 2x4 SP No.1
 OTHERS 2x4 SP No.2

BRACING-
 TOP CHORD Structural wood sheathing directly applied or 6-0-0 oc purlins.
 BOT CHORD Rigid ceiling directly applied or 10-0-0 oc bracing.

REACTIONS. All bearings 14-0-4.
 (lb) - Max Horz 1=214(LC 9)
 Max Uplift All uplift 100 lb or less at joint(s) 1, 5 except 8=257(LC 12), 6=257(LC 13)
 Max Grav All reactions 250 lb or less at joint(s) 1, 5 except 7=408(LC 19), 8=439(LC 19), 6=438(LC 20)

FORCES. (lb) - Max. Comp./Max. Ten. - All forces 250 (lb) or less except when shown.
 WEBS 2-8=-468/408, 4-6=-468/408

- NOTES-**
- Unbalanced roof live loads have been considered for this design.
 - Wind: ASCE 7-10; Vult=150mph Vasd=119mph; TC DL=6.0psf; BC DL=6.0psf; h=15ft; Cat. II; Exp C; Enclosed; MWFRS (envelope) and C-C Exterior(2) 0-4-4 to 4-9-0, Interior(1) 4-9-0 to 7-0-8, Exterior(2) 7-0-8 to 11-5-5, Interior(1) 11-5-5 to 13-8-12 zone; C-C for members and forces & MWFRS for reactions shown; Lumber DOL=1.60 plate grip DOL=1.60
 - Gable requires continuous bottom chord bearing.
 - This truss has been designed for a 10.0 psf bottom chord live load nonconcurrent with any other live loads.
 - * This truss has been designed for a live load of 30.0psf on the bottom chord in all areas where a rectangle 3-6-0 tall by 2-0-0 wide will fit between the bottom chord and any other members, with BCDL = 10.0psf.
 - Provide mechanical connection (by others) of truss to bearing plate capable of withstanding 100 lb uplift at joint(s) 1, 5 except (jt=lb) 8=257, 6=257.



September 15, 2022

WARNING - Verify design parameters and READ NOTES ON THIS AND INCLUDED MITEK REFERENCE PAGE MII-7473 rev. 5/19/2020 BEFORE USE.
 Design valid for use only with MiTek® connectors. This design is based only upon parameters shown, and is for an individual building component, not a truss system. Before use, the building designer must verify the applicability of design parameters and properly incorporate this design into the overall building design. Bracing indicated is to prevent buckling of individual truss web and/or chord members only. Additional temporary and permanent bracing is always required for stability and to prevent collapse with possible personal injury and property damage. For general guidance regarding the fabrication, storage, delivery, erection and bracing of trusses and truss systems, see **ANSI/TPI1 Quality Criteria, DSB-89 and BCSI Building Component Safety Information** available from Truss Plate Institute, 2670 Crain Highway, Suite 203 Waldorf, MD 20601



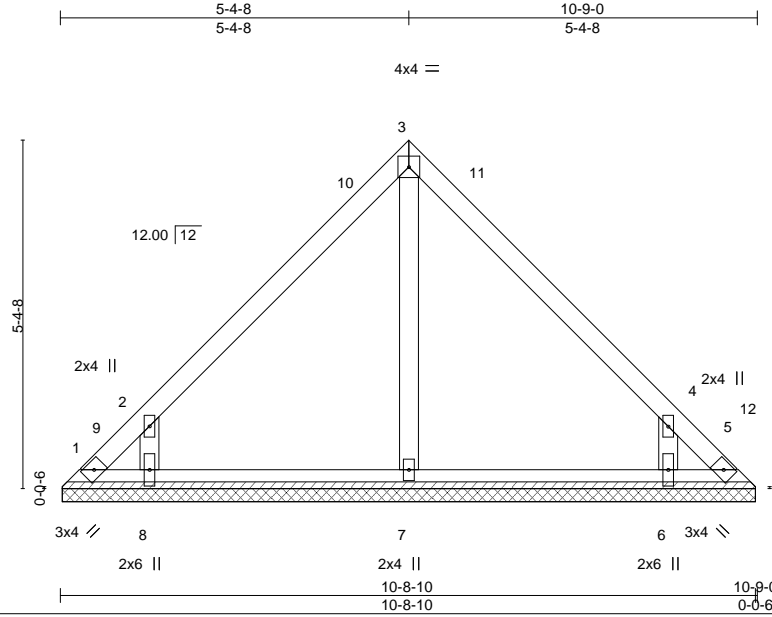
818 Soundside Road
 Edenton, NC 27932

Job J1122-5625	Truss VC3	Truss Type VALLEY	Qty 1	Ply 1	Lot 135 Hidden Lakes Job Reference (optional)	I54232546
-------------------	--------------	----------------------	----------	----------	--	-----------

Comtech, Inc, Fayetteville, NC - 28314,

8,430 s Jan 6 2022 MiTek Industries, Inc. Thu Sep 15 14:15:39 2022 Page 1

ID:pR1C9Efk0ZVsLDXhFWTRyeOMT-xWM7FoZWvJEEZmKRcVtZWMvJHO00wObLnEukgydMUy



Scale = 1:33.4

Plate Offsets (X,Y)--	[4:0-0,0-0-0]
-----------------------	---------------

LOADING (psf)	SPACING-	CSI.	DEFL.	in (loc)	I/defl	L/d	PLATES	GRIP
TCLL 20.0	2-0-0	TC 0.19	Vert(LL)	n/a	-	n/a	MT20	244/190
TCDL 10.0	Plate Grip DOL 1.15	BC 0.09	Vert(CT)	n/a	-	n/a		
BCLL 0.0 *	Lumber DOL 1.15	WB 0.08	Horz(CT)	0.00	5	n/a		
BCDL 10.0	Rep Stress Incr YES	Matrix-S					Weight: 47 lb	FT = 20%
	Code IRC2015/TPI2014							

LUMBER-	BRACING-
TOP CHORD 2x4 SP No.1	TOP CHORD Structural wood sheathing directly applied or 6-0-0 oc purlins.
BOT CHORD 2x4 SP No.1	BOT CHORD Rigid ceiling directly applied or 10-0-0 oc bracing.
OTHERS 2x4 SP No.2	


REACTIONS. All bearings 10-8-4.
 (lb) - Max Horz 1=-160(LC 8)
 Max Uplift All uplift 100 lb or less at joint(s) except 1=-148(LC 10), 5=-121(LC 11), 8=-259(LC 12), 6=-259(LC 13)
 Max Grav All reactions 250 lb or less at joint(s) 1, 5, 7 except 8=391(LC 19), 6=391(LC 20)

FORCES. (lb) - Max. Comp./Max. Ten. - All forces 250 (lb) or less except when shown.
 WEBS 2-8=-493/461, 4-6=-493/461

- NOTES-**
- Unbalanced roof live loads have been considered for this design.
 - Wind: ASCE 7-10; Vult=150mph Vasd=119mph; TCCL=6.0psf; BCDL=6.0psf; h=15ft; Cat. II; Exp C; Enclosed; MWFRS (envelope) and C-C Exterior(2) 0-4-4 to 4-9-0, Interior(1) 4-9-0 to 5-4-8, Exterior(2) 5-4-8 to 9-9-5, Interior(1) 9-9-5 to 10-4-12 zone; C-C for members and forces & MWFRS for reactions shown; Lumber DOL=1.60 plate grip DOL=1.60
 - Gable requires continuous bottom chord bearing.
 - This truss has been designed for a 10.0 psf bottom chord live load nonconcurrent with any other live loads.
 - * This truss has been designed for a live load of 30.0psf on the bottom chord in all areas where a rectangle 3-6-0 tall by 2-0-0 wide will fit between the bottom chord and any other members.
 - Provide mechanical connection (by others) of truss to bearing plate capable of withstanding 148 lb uplift at joint 1, 121 lb uplift at joint 5, 259 lb uplift at joint 8 and 259 lb uplift at joint 6.



September 15, 2022

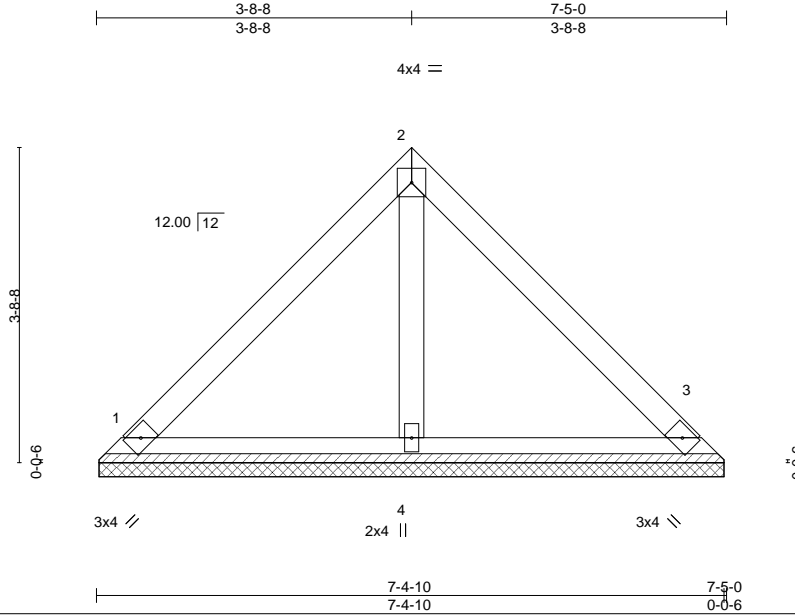
<p>WARNING - Verify design parameters and READ NOTES ON THIS AND INCLUDED MITEK REFERENCE PAGE MII-7473 rev. 5/19/2020 BEFORE USE. Design valid for use only with MiTek® connectors. This design is based only upon parameters shown, and is for an individual building component, not a truss system. Before use, the building designer must verify the applicability of design parameters and properly incorporate this design into the overall building design. Bracing indicated is to prevent buckling of individual truss web and/or chord members only. Additional temporary and permanent bracing is always required for stability and to prevent collapse with possible personal injury and property damage. For general guidance regarding the fabrication, storage, delivery, erection and bracing of trusses and truss systems, see ANSI/TPI1 Quality Criteria, DSB-89 and BCSI Building Component Safety Information available from Truss Plate Institute, 2670 Crain Highway, Suite 203 Waldorf, MD 20601</p>	 818 Soundside Road Edenton, NC 27932
--	--

Job J1122-5625	Truss VC4	Truss Type VALLEY	Qty 1	Ply 1	Lot 135 Hidden Lakes Job Reference (optional)	I54232547
-------------------	--------------	----------------------	----------	----------	--	-----------

Comtech, Inc, Fayetteville, NC - 28314,

8,430 s Jan 6 2022 MiTek Industries, Inc. Thu Sep 15 14:15:40 2022 Page 1

ID:pR11C9Effk0ZVsLDXhFWTRyeOMT-PiwVSZ8gdM5BwvdACOo2Wv4LhkJIOUlaRzRG7ydMUX



LOADING (psf)	SPACING-	CSI.	DEFL.	PLATES	GRIP
TCLL 20.0	2-0-0	TC 0.24	in (loc) l/defl L/d	MT20	244/190
TCDL 10.0	Plate Grip DOL 1.15	BC 0.08	Vert(LL) n/a - n/a 999		
BCLL 0.0 *	Lumber DOL 1.15	WB 0.03	Vert(CT) n/a - n/a 999		
BCDL 10.0	Rep Stress Incr YES	Matrix-P	Horz(CT) 0.00 3 n/a n/a	Weight: 30 lb	FT = 20%
	Code IRC2015/TPI2014				

LUMBER-

TOP CHORD 2x4 SP No.1
 BOT CHORD 2x4 SP No.1
 OTHERS 2x4 SP No.2

BRACING-

TOP CHORD Structural wood sheathing directly applied or 6-0-0 oc purlins.
 BOT CHORD Rigid ceiling directly applied or 10-0-0 oc bracing.

REACTIONS.

(size) 1=7-4-4, 3=7-4-4, 4=7-4-4
 Max Horz 1=107(LC 8)
 Max Uplift 1=53(LC 13), 3=53(LC 13)
 Max Grav 1=164(LC 1), 3=163(LC 1), 4=210(LC 1)

FORCES. (lb) - Max. Comp./Max. Ten. - All forces 250 (lb) or less except when shown.

NOTES-

- Unbalanced roof live loads have been considered for this design.
- Wind: ASCE 7-10; Vult=150mph Vasd=119mph; TCCL=6.0psf; BCDL=6.0psf; h=15ft; Cat. II; Exp C; Enclosed; MWFRS (envelope) and C-C Exterior(2) zone; C-C for members and forces & MWFRS for reactions shown; Lumber DOL=1.60 plate grip DOL=1.60
- Gable requires continuous bottom chord bearing.
- This truss has been designed for a 10.0 psf bottom chord live load nonconcurrent with any other live loads.
- * This truss has been designed for a live load of 30.0psf on the bottom chord in all areas where a rectangle 3-6-0 tall by 2-0-0 wide will fit between the bottom chord and any other members.
- Provide mechanical connection (by others) of truss to bearing plate capable of withstanding 53 lb uplift at joint 1 and 53 lb uplift at joint 3.



September 15, 2022

WARNING - Verify design parameters and READ NOTES ON THIS AND INCLUDED MITEK REFERENCE PAGE MII-7473 rev. 5/19/2020 BEFORE USE.

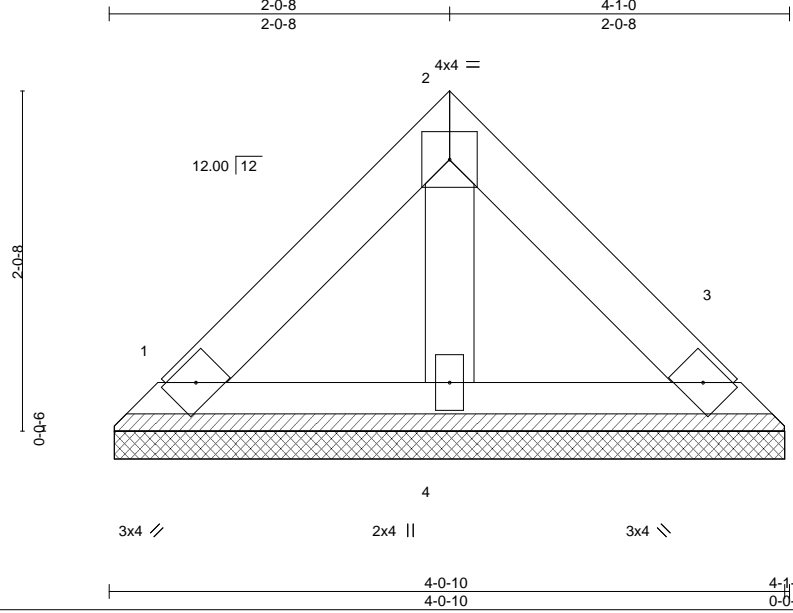
Design valid for use only with MiTek® connectors. This design is based only upon parameters shown, and is for an individual building component, not a truss system. Before use, the building designer must verify the applicability of design parameters and properly incorporate this design into the overall building design. Bracing indicated is to prevent buckling of individual truss web and/or chord members only. Additional temporary and permanent bracing is always required for stability and to prevent collapse with possible personal injury and property damage. For general guidance regarding the fabrication, storage, delivery, erection and bracing of trusses and truss systems, see **ANSI/TPI1 Quality Criteria, DSB-89 and BCSI Building Component Safety Information** available from Truss Plate Institute, 2670 Crain Highway, Suite 203 Waldorf, MD 20601



818 Soundside Road
 Edenton, NC 27932

Job J1122-5625	Truss VC5	Truss Type VALLEY	Qty 1	Ply 1	Lot 135 Hidden Lakes Job Reference (optional)	154232548
-------------------	--------------	----------------------	----------	----------	--	-----------

Comtech, Inc, Fayetteville, NC - 28314, 8,430 s Jan 6 2022 MiTek Industries, Inc. Thu Sep 15 14:15:40 2022 Page 1
 ID:pR11C9Efk0ZvsLDXhFWTRyeOMT-PiwVS8Z8gdM5BwvdACOo2Wv7AhlIIOnIaRzRG7ydMUX



LOADING (psf)	SPACING-	CSI.	DEFL.	PLATES	GRIP
TCLL 20.0	2-0-0	TC 0.06	in (loc) l/defl L/d	MT20	244/190
TCDL 10.0	Plate Grip DOL 1.15	BC 0.02	Vert(LL) n/a - n/a 999		
BCLL 0.0 *	Lumber DOL 1.15	WB 0.01	Vert(CT) n/a - n/a 999		
BCDL 10.0	Rep Stress Incr YES	Matrix-P	Horz(CT) 0.00 3 n/a n/a	Weight: 15 lb	FT = 20%
	Code IRC2015/TPI2014				

LUMBER-	BRACING-
TOP CHORD 2x4 SP No.1	TOP CHORD Structural wood sheathing directly applied or 4-1-0 oc purlins.
BOT CHORD 2x4 SP No.1	BOT CHORD Rigid ceiling directly applied or 10-0-0 oc bracing.
OTHERS 2x4 SP No.2	

REACTIONS. (size) 1=4-0-4, 3=4-0-4, 4=4-0-4
 Max Horz 1=54(LC 10)
 Max Uplift 1=27(LC 13), 3=27(LC 13)
 Max Grav 1=82(LC 1), 3=82(LC 1), 4=106(LC 1)

FORCES. (lb) - Max. Comp./Max. Ten. - All forces 250 (lb) or less except when shown.

- NOTES-**
- 1) Unbalanced roof live loads have been considered for this design.
 - 2) Wind: ASCE 7-10; Vult=150mph Vasd=119mph; TCCL=6.0psf; BCCL=6.0psf; h=15ft; Cat. II; Exp C; Enclosed; MWFRS (envelope) and C-C Exterior(2) zone; C-C for members and forces & MWFRS for reactions shown; Lumber DOL=1.60 plate grip DOL=1.60
 - 3) Gable requires continuous bottom chord bearing.
 - 4) This truss has been designed for a 10.0 psf bottom chord live load nonconcurrent with any other live loads.
 - 5) * This truss has been designed for a live load of 30.0psf on the bottom chord in all areas where a rectangle 3-6-0 tall by 2-0-0 wide will fit between the bottom chord and any other members.
 - 6) Provide mechanical connection (by others) of truss to bearing plate capable of withstanding 27 lb uplift at joint 1 and 27 lb uplift at joint 3.



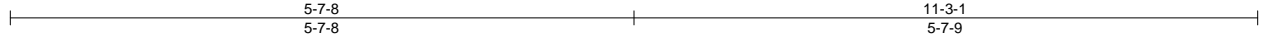
September 15, 2022

Job J1122-5625	Truss VD1	Truss Type VALLEY	Qty 1	Ply 1	Lot 135 Hidden Lakes Job Reference (optional)	I54232549
-------------------	--------------	----------------------	----------	----------	--	-----------

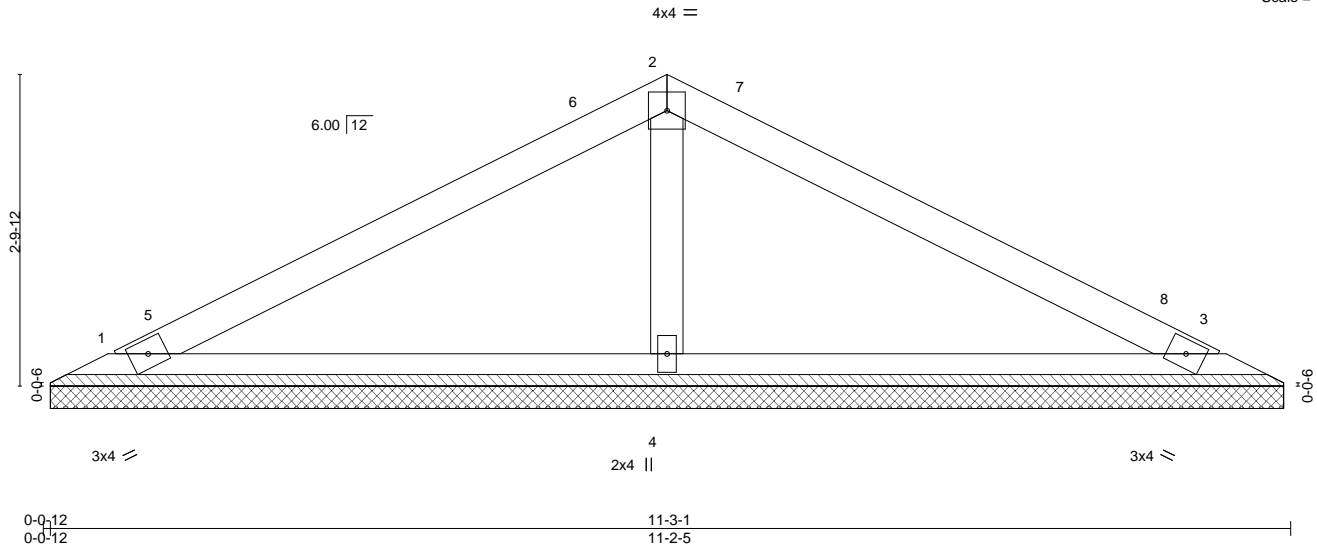
Comtech, Inc, Fayetteville, NC - 28314,

8,430 s Jan 6 2022 MiTek Industries, Inc. Thu Sep 15 14:15:41 2022 Page 1

ID:pRI1C9Efk0ZVsLDXhFWTRyeOMT-tuUtgUamRwUyp3Upjwv1bkSEo432UrQuo4j?pZydMUW



Scale = 1:19.6



LOADING (psf)	SPACING-	CSI.	DEFL.	in (loc)	l/defl	L/d	PLATES	GRIP
TCLL 20.0	2-0-0 Plate Grip DOL 1.15	TC 0.26	Vert(LL)	n/a	-	n/a	MT20	244/190
TCDL 10.0	Lumber DOL 1.15	BC 0.18	Vert(CT)	n/a	-	n/a		
BCLL 0.0 *	Rep Stress Incr YES	WB 0.05	Horz(CT)	0.00	3	n/a		
BCDL 10.0	Code IRC2015/TPI2014	Matrix-S					Weight: 36 lb	FT = 20%

LUMBER-

TOP CHORD 2x4 SP No.1
 BOT CHORD 2x4 SP No.1
 OTHERS 2x4 SP No.2

BRACING-

TOP CHORD Structural wood sheathing directly applied or 6-0-0 oc purlins.
 BOT CHORD Rigid ceiling directly applied or 10-0-0 oc bracing.

REACTIONS.

(size) 1=11-1-9, 3=11-1-9, 4=11-1-9
 Max Horz 1=43(LC 8)
 Max Uplift 1=50(LC 12), 3=57(LC 13), 4=44(LC 12)
 Max Grav 1=184(LC 23), 3=184(LC 24), 4=431(LC 1)

FORCES.

(lb) - Max. Comp./Max. Ten. - All forces 250 (lb) or less except when shown.
 WEBS 2-4=-285/264

NOTES-

- Unbalanced roof live loads have been considered for this design.
- Wind: ASCE 7-10; Vult=150mph Vasd=119mph; TCCL=6.0psf; BCCL=6.0psf; h=15ft; Cat. II; Exp C; Enclosed; MWFRS (envelope) and C-C Exterior(2) 0-7-13 to 5-0-10, Interior(1) 5-0-10 to 5-7-8, Exterior(2) 5-7-8 to 10-0-5, Interior(1) 10-0-5 to 10-7-4 zone; C-C for members and forces & MWFRS for reactions shown; Lumber DOL=1.60 plate grip DOL=1.60
- Gable requires continuous bottom chord bearing.
- This truss has been designed for a 10.0 psf bottom chord live load nonconcurrent with any other live loads.
- * This truss has been designed for a live load of 30.0psf on the bottom chord in all areas where a rectangle 3-6-0 tall by 2-0-0 wide will fit between the bottom chord and any other members.
- Provide mechanical connection (by others) of truss to bearing plate capable of withstanding 50 lb uplift at joint 1, 57 lb uplift at joint 3 and 44 lb uplift at joint 4.



September 15, 2022

WARNING - Verify design parameters and READ NOTES ON THIS AND INCLUDED MITEK REFERENCE PAGE MII-7473 rev. 5/19/2020 BEFORE USE.

Design valid for use only with MiTek® connectors. This design is based only upon parameters shown, and is for an individual building component, not a truss system. Before use, the building designer must verify the applicability of design parameters and properly incorporate this design into the overall building design. Bracing indicated is to prevent buckling of individual truss web and/or chord members only. Additional temporary and permanent bracing is always required for stability and to prevent collapse with possible personal injury and property damage. For general guidance regarding the fabrication, storage, delivery, erection and bracing of trusses and truss systems, see **ANSI/TPI1 Quality Criteria, DSB-89 and BCSI Building Component Safety Information** available from Truss Plate Institute, 2670 Crain Highway, Suite 203 Waldorf, MD 20601



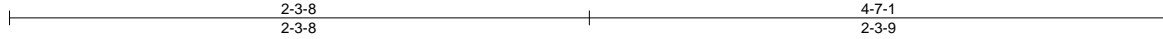
818 Soundside Road
 Edenton, NC 27932

Job J1122-5625	Truss VD2	Truss Type VALLEY	Qty 1	Ply 1	Lot 135 Hidden Lakes Job Reference (optional)	154232550
-------------------	--------------	----------------------	----------	----------	--	-----------

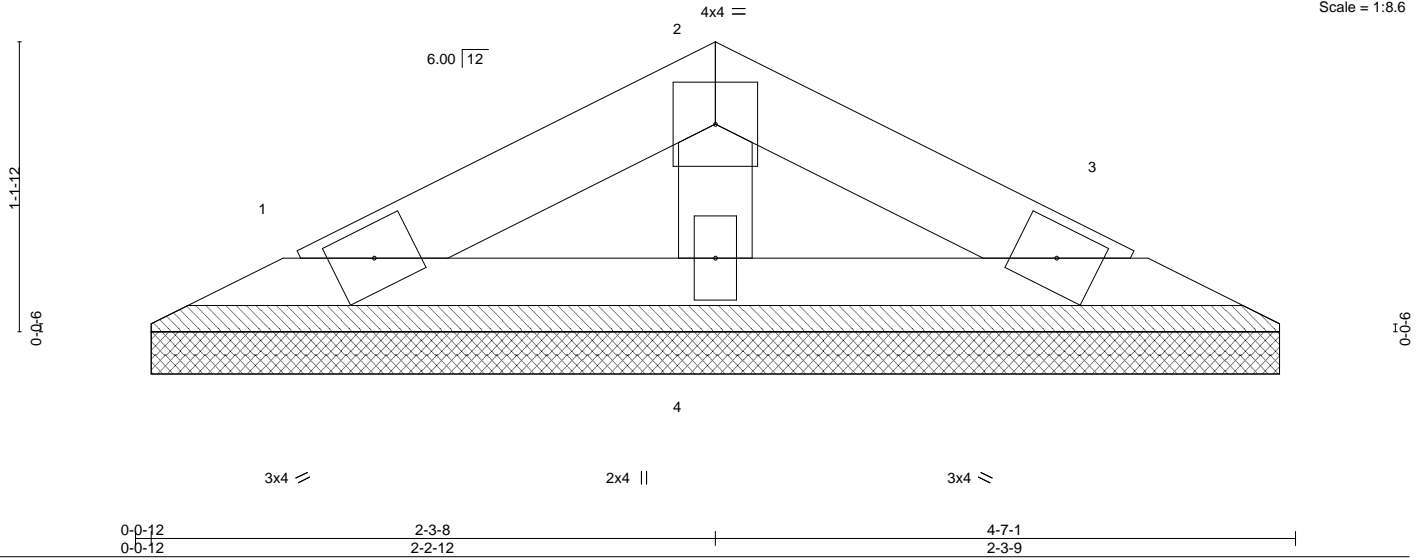
Comtech, Inc, Fayetteville, NC - 28314,

8,430 s Jan 6 2022 MiTek Industries, Inc. Thu Sep 15 14:15:42 2022 Page 1

ID:pRI1C9Efk0ZVsLDXhFWTRyeOMT-L51FtqbPCEcpQD30HdRG8x_TuUQnDI611kSYL?ydMUV



Scale = 1:8.6



LOADING (psf)	SPACING-	CSI.	DEFL.	in (loc)	l/defl	L/d	PLATES	GRIP
TCLL 20.0	2-0-0	TC 0.04	Vert(LL)	n/a	-	n/a	MT20	244/190
TCDL 10.0	1.15	BC 0.02	Vert(CT)	n/a	-	n/a		
BCLL 0.0 *	Lumber DOL 1.15	WB 0.02	Horz(CT)	0.00	3	n/a		
BCDL 10.0	Rep Stress Incr YES	Matrix-P					Weight: 13 lb	FT = 20%
	Code IRC2015/TPI2014							

LUMBER-

TOP CHORD 2x4 SP No.1
 BOT CHORD 2x4 SP No.1
 WEBS 2x4 SP No.2

BRACING-

TOP CHORD Structural wood sheathing directly applied or 4-7-1 oc purlins.
 BOT CHORD Rigid ceiling directly applied or 10-0-0 oc bracing.

REACTIONS.

(size) 1=4-5-9, 3=4-5-9, 4=4-5-9
 Max Horz 1=15(LC 10)
 Max Uplift 1=20(LC 12), 3=23(LC 13), 4=6(LC 12)
 Max Grav 1=67(LC 1), 3=67(LC 1), 4=128(LC 1)

FORCES. (lb) - Max. Comp./Max. Ten. - All forces 250 (lb) or less except when shown.

NOTES-

- Unbalanced roof live loads have been considered for this design.
- Wind: ASCE 7-10; Vult=150mph Vasd=119mph; TCCL=6.0psf; BCDL=6.0psf; h=15ft; Cat. II; Exp C; Enclosed; MWFRS (envelope) and C-C Exterior(2) zone; C-C for members and forces & MWFRS for reactions shown; Lumber DOL=1.60 plate grip DOL=1.60
- Gable requires continuous bottom chord bearing.
- This truss has been designed for a 10.0 psf bottom chord live load nonconcurrent with any other live loads.
- * This truss has been designed for a live load of 30.0psf on the bottom chord in all areas where a rectangle 3-6-0 tall by 2-0-0 wide will fit between the bottom chord and any other members.
- Provide mechanical connection (by others) of truss to bearing plate capable of withstanding 20 lb uplift at joint 1, 23 lb uplift at joint 3 and 6 lb uplift at joint 4.



September 15, 2022

WARNING - Verify design parameters and READ NOTES ON THIS AND INCLUDED MITEK REFERENCE PAGE MII-7473 rev. 5/19/2020 BEFORE USE.

Design valid for use only with MiTek® connectors. This design is based only upon parameters shown, and is for an individual building component, not a truss system. Before use, the building designer must verify the applicability of design parameters and properly incorporate this design into the overall building design. Bracing indicated is to prevent buckling of individual truss web and/or chord members only. Additional temporary and permanent bracing is always required for stability and to prevent collapse with possible personal injury and property damage. For general guidance regarding the fabrication, storage, delivery, erection and bracing of trusses and truss systems, see **ANSI/TPI1 Quality Criteria, DSB-89 and BCSI Building Component Safety Information** available from Truss Plate Institute, 2670 Crain Highway, Suite 203 Waldorf, MD 20601



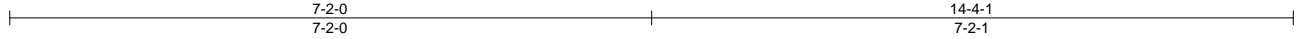
818 Soundside Road
 Edenton, NC 27932

Job J1122-5625	Truss VG1	Truss Type VALLEY	Qty 1	Ply 1	Lot 135 Hidden Lakes Job Reference (optional)	I54232551
-------------------	--------------	----------------------	----------	----------	--	-----------

Comtech, Inc, Fayetteville, NC - 28314,

8,430 s Jan 6 2022 MiTek Industries, Inc. Thu Sep 15 14:15:43 2022 Page 1

ID:pRI1C9Effk0ZVsLDXhFWTRyeOMT-pHbd5Ac1zYkg2NeCrLyVg9Xblu_l_ytBGOC5RydMUU



Scale: 1/2"=1'

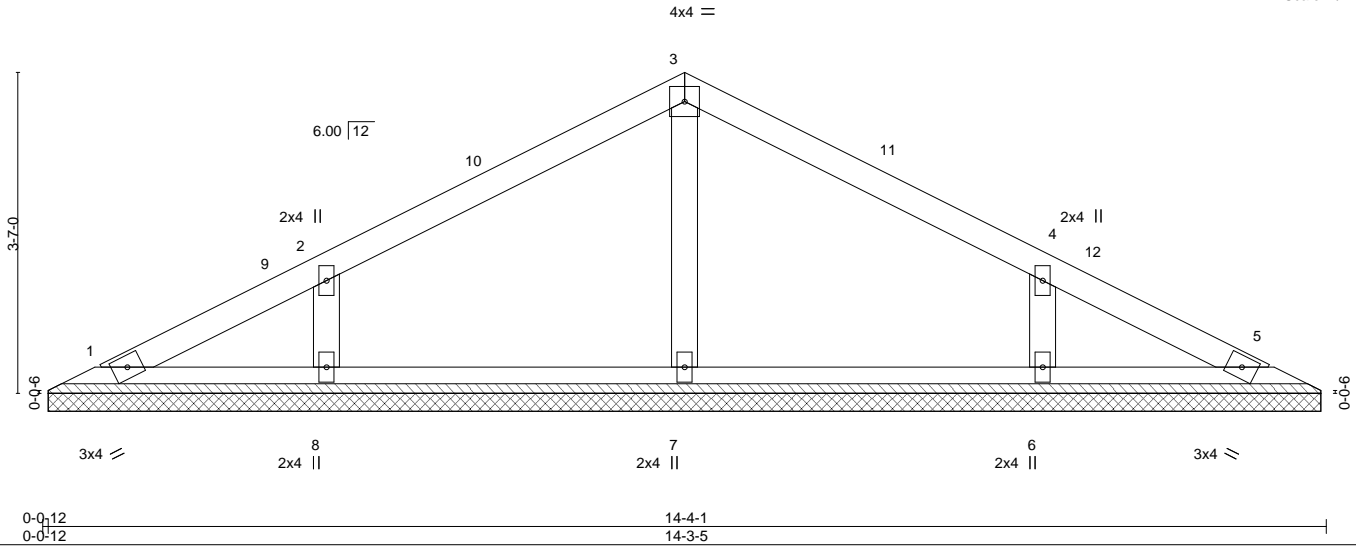


Plate Offsets (X,Y)--	[4:0-0,0-0-0]
-----------------------	---------------

LOADING (psf)	SPACING-	CSI.	DEFL.	in (loc)	l/defl	L/d	PLATES	GRIP
TCLL 20.0	Plate Grip DOL 1.15	TC 0.13	Vert(LL)	n/a	-	n/a	MT20	244/190
TCDL 10.0	Lumber DOL 1.15	BC 0.09	Vert(CT)	n/a	-	n/a		
BCLL 0.0 *	Rep Stress Incr YES	WB 0.05	Horz(CT)	0.00	5	n/a		
BCDL 10.0	Code IRC2015/TPI2014	Matrix-S					Weight: 50 lb	FT = 20%

LUMBER-	BRACING-
TOP CHORD 2x4 SP No.1	TOP CHORD Structural wood sheathing directly applied or 6-0-0 oc purlins.
BOT CHORD 2x4 SP No.1	BOT CHORD Rigid ceiling directly applied or 10-0-0 oc bracing.
OTHERS 2x4 SP No.2	

REACTIONS. All bearings 14-2-9.
 (lb) - Max Horz 1=57(LC 9)
 Max Uplift All uplift 100 lb or less at joint(s) 1, 5 except 8=125(LC 12), 6=125(LC 13)
 Max Grav All reactions 250 lb or less at joint(s) 1, 5 except 7=282(LC 1), 8=313(LC 23), 6=313(LC 24)


FORCES. (lb) - Max. Comp./Max. Ten. - All forces 250 (lb) or less except when shown.
 WEBS 2-8=-240/282, 4-6=-240/282

- NOTES-**
- Unbalanced roof live loads have been considered for this design.
 - Wind: ASCE 7-10; Vult=150mph Vasd=119mph; TC DL=6.0psf; BCDL=6.0psf; h=15ft; Cat. II; Exp C; Enclosed; MWFRS (envelope) and C-C Exterior(2) 0-7-13 to 5-0-10, Interior(1) 5-0-10 to 7-2-0, Exterior(2) 7-2-0 to 11-6-13, Interior(1) 11-6-13 to 13-8-4 zone; C-C for members and forces & MWFRS for reactions shown; Lumber DOL=1.60 plate grip DOL=1.60
 - Gable requires continuous bottom chord bearing.
 - This truss has been designed for a 10.0 psf bottom chord live load nonconcurrent with any other live loads.
 - * This truss has been designed for a live load of 30.0psf on the bottom chord in all areas where a rectangle 3-6-0 tall by 2-0-0 wide will fit between the bottom chord and any other members.
 - Provide mechanical connection (by others) of truss to bearing plate capable of withstanding 100 lb uplift at joint(s) 1, 5 except (jt=lb) 8=125, 6=125.



September 15, 2022

WARNING - Verify design parameters and READ NOTES ON THIS AND INCLUDED MITEK REFERENCE PAGE MII-7473 rev. 5/19/2020 BEFORE USE.
 Design valid for use only with MiTek® connectors. This design is based only upon parameters shown, and is for an individual building component, not a truss system. Before use, the building designer must verify the applicability of design parameters and properly incorporate this design into the overall building design. Bracing indicated is to prevent buckling of individual truss web and/or chord members only. Additional temporary and permanent bracing is always required for stability and to prevent collapse with possible personal injury and property damage. For general guidance regarding the fabrication, storage, delivery, erection and bracing of trusses and truss systems, see **ANSI/TPI1 Quality Criteria, DSB-89 and BCSI Building Component Safety Information** available from Truss Plate Institute, 2670 Crain Highway, Suite 203 Waldorf, MD 20601



818 Soundside Road
Edenton, NC 27932

Job J1122-5625	Truss VG2	Truss Type VALLEY	Qty 1	Ply 1	Lot 135 Hidden Lakes Job Reference (optional)	I54232552
-------------------	--------------	----------------------	----------	----------	--	-----------

Comtech, Inc, Fayetteville, NC - 28314,

8,430 s Jan 6 2022 MiTek Industries, Inc. Thu Sep 15 14:15:44 2022 Page 1

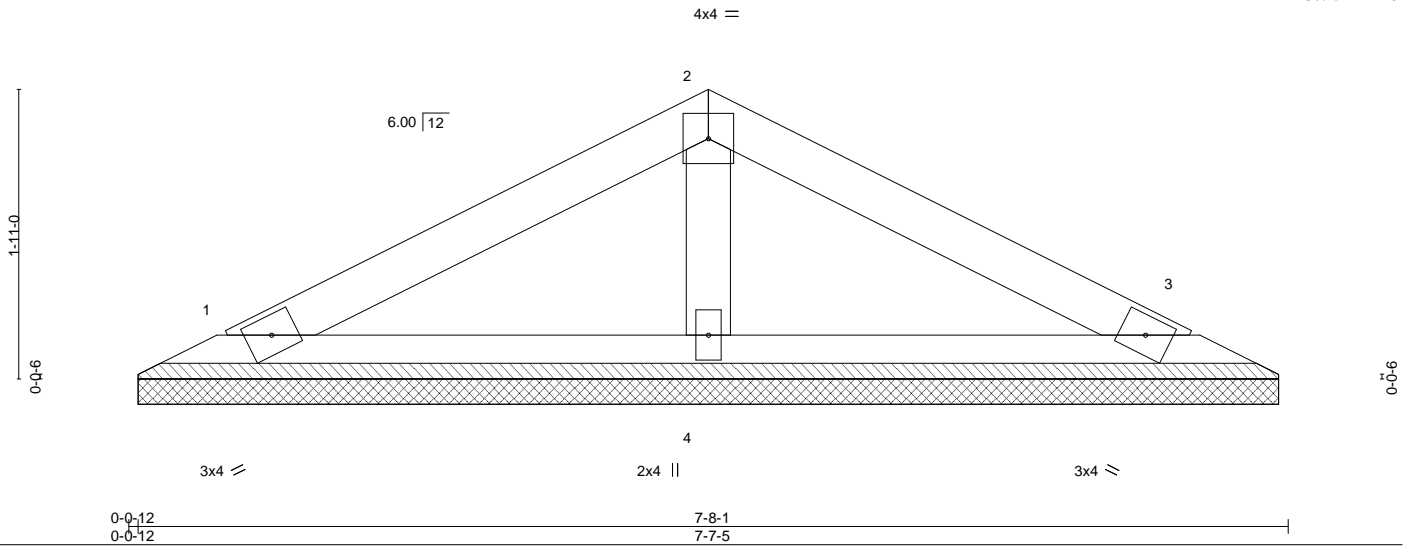
ID:pR1C9Effk0ZVsLDXhFWTRyeOMT-IT90IWcfkrsWgXDOP2TkDM4mVI5PhBOKV2xfPuydMUT

7-8-1

3-10-1

3-10-0
3-10-0

Scale = 1:14.3



LOADING (psf)	SPACING-	CSI.	DEFL.	PLATES	GRIP
TCLL 20.0	2-0-0	TC 0.16	in (loc) l/defl L/d	MT20	244/190
TCDL 10.0	Plate Grip DOL 1.15	BC 0.07	Vert(LL) n/a - n/a 999	Weight: 24 lb	FT = 20%
BCLL 0.0 *	Lumber DOL 1.15	WB 0.03	Vert(CT) n/a - n/a 999		
BCDL 10.0	Rep Stress Incr YES	Matrix-P	Horz(CT) 0.00 3 n/a n/a		
	Code IRC2015/TPI2014				

LUMBER-
TOP CHORD 2x4 SP No.1
BOT CHORD 2x4 SP No.1
OTHERS 2x4 SP No.2

BRACING-
TOP CHORD Structural wood sheathing directly applied or 6-0-0 oc purlins.
BOT CHORD Rigid ceiling directly applied or 10-0-0 oc bracing.

REACTIONS. (size) 1=7-6-9, 3=7-6-9, 4=7-6-9
Max Horz 1=28(LC 10)
Max Uplift 1=39(LC 12), 3=44(LC 13), 4=13(LC 12)
Max Grav 1=130(LC 1), 3=130(LC 1), 4=250(LC 1)

FORCES. (lb) - Max. Comp./Max. Ten. - All forces 250 (lb) or less except when shown.

NOTES-

- Unbalanced roof live loads have been considered for this design.
- Wind: ASCE 7-10; Vult=150mph Vasd=119mph; TCCL=6.0psf; BCDL=6.0psf; h=15ft; Cat. II; Exp C; Enclosed; MWFRS (envelope) and C-C Exterior(2) zone; C-C for members and forces & MWFRS for reactions shown; Lumber DOL=1.60 plate grip DOL=1.60
- Gable requires continuous bottom chord bearing.
- This truss has been designed for a 10.0 psf bottom chord live load nonconcurrent with any other live loads.
- * This truss has been designed for a live load of 30.0psf on the bottom chord in all areas where a rectangle 3-6-0 tall by 2-0-0 wide will fit between the bottom chord and any other members.
- Provide mechanical connection (by others) of truss to bearing plate capable of withstanding 100 lb uplift at joint(s) 1, 3, 4.



September 15, 2022

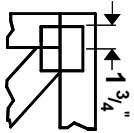
WARNING - Verify design parameters and READ NOTES ON THIS AND INCLUDED MITEK REFERENCE PAGE MII-7473 rev. 5/19/2020 BEFORE USE.
Design valid for use only with MiTek® connectors. This design is based only upon parameters shown, and is for an individual building component, not a truss system. Before use, the building designer must verify the applicability of design parameters and properly incorporate this design into the overall building design. Bracing indicated is to prevent buckling of individual truss web and/or chord members only. Additional temporary and permanent bracing is always required for stability and to prevent collapse with possible personal injury and property damage. For general guidance regarding the fabrication, storage, delivery, erection and bracing of trusses and truss systems, see **ANSI/TPI1 Quality Criteria, DSB-89 and BCSI Building Component Safety Information** available from Truss Plate Institute, 2670 Crain Highway, Suite 203 Waldorf, MD 20601



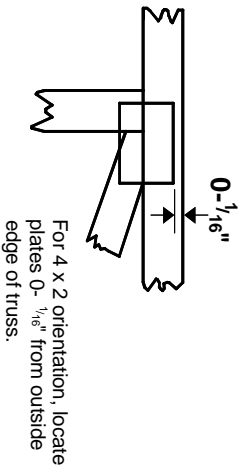
818 Soundside Road
Edenton, NC 27932

Symbols

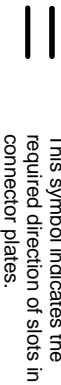
PLATE LOCATION AND ORIENTATION



Center plate on joint unless x, y offsets are indicated. Dimensions are in ft-in-sixteenths. Apply plates to both sides of truss and fully embed teeth.



For 4 x 2 orientation, locate plates 0- $\frac{1}{16}$ " from outside edge of truss.



This symbol indicates the required direction of slots in connector plates.

PLATE SIZE

4 X 4

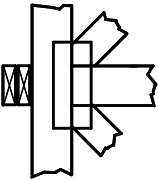
The first dimension is the plate width measured perpendicular to slots. Second dimension is the length parallel to slots.

LATERAL BRACING LOCATION



Indicated by symbol shown and/or by text in the bracing section of the output. Use T or I bracing if indicated.

BEARING

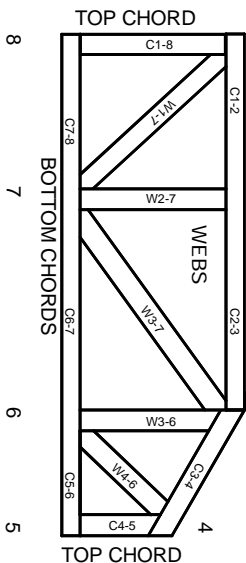


Indicates location where bearings (supports) occur. Icons vary but reaction section indicates joint number where bearings occur. Min size shown is for crushing only.

Industry Standards:

ANSI/TP1: National Design Specification for Metal Plate Connected Wood Truss Construction.
DSB-89: Design Standard for Bracing, Building Component Safety Information, Guide to Good Practice for Handling, Installing & Bracing of Metal Plate Connected Wood Trusses.

Numbering System



TOP CHORDS
BOTTOM CHORDS
WEBS

JOINTS ARE GENERALLY NUMBERED/LETTERED CLOCKWISE AROUND THE TRUSS STARTING AT THE JOINT FARTHEST TO THE LEFT.

PRODUCT CODE APPROVALS

ICC-ES Reports:

ESR-1311, ESR-1352, ESR 1988
ER-3907, ESR-2362, ESR-1397, ESR-3282

Trusses are designed for wind loads in the plane of the truss unless otherwise shown.

Lumber design values are in accordance with ANSI/TP1 section 6.3 These truss designs rely on lumber values established by others.

© 2012 MITek® All Rights Reserved



MITek Engineering Reference Sheet: Mill-7473 rev. 5/19/2020

General Safety Notes

Failure to Follow Could Cause Property Damage or Personal Injury

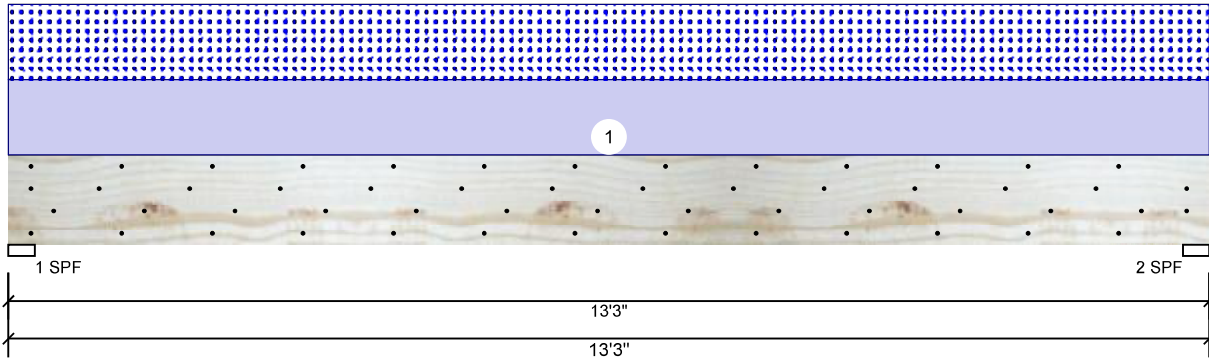
1. Additional stability bracing for truss system, e.g. diagonal or X-bracing, is always required. See BCSI.
2. Truss bracing must be designed by an engineer. For wide truss spacing, individual lateral braces themselves may require bracing, or alternative Tor I bracing should be considered.
3. Never exceed the design loading shown and never stack materials on inadequately braced trusses.
4. Provide copies of this truss design to the building designer, erection supervisor, property owner and all other interested parties.
5. Cut members to bear tightly against each other.
6. Place plates on each face of truss at each joint and embed fully. Knots and wane at joint locations are regulated by ANSI/TP1.
7. Design assumes trusses will be suitably protected from the environment in accord with ANSI/TP1.
8. Unless otherwise noted, moisture content of lumber shall not exceed 19% at time of fabrication.
9. Unless expressly noted, this design is not applicable for use with fire retardant, preservative treated, or green lumber.
10. Camber is a non-structural consideration and is the responsibility of truss fabricator. General practice is to camber for dead load deflection.
11. Plate type, size, orientation and location dimensions indicated are minimum plating requirements.
12. Lumber used shall be of the species and size, and in all respects, equal to or better than that specified.
13. Top chords must be sheathed or purlins provided at spacing indicated on design.
14. Bottom chords require lateral bracing at 10 ft. spacing, or less, if no ceiling is installed, unless otherwise noted.
15. Connections not shown are the responsibility of others.
16. Do not cut or alter truss member or plate without prior approval of an engineer.
17. Install and load vertically unless indicated otherwise.
18. Use of green or treated lumber may pose unacceptable environmental, health or performance risks. Consult with project engineer before use.
19. Review all portions of this design (front, back, words and pictures) before use. Reviewing pictures alone is not sufficient.
20. Design assumes manufacture in accordance with ANSI/TP1 Quality Criteria.
21. The design does not take into account any dynamic or other loads other than those expressly stated.



Client: Wellco Construction
 Project: Plan 11
 Address: 70 Sugarberry Place
 Clayton, NC 27527

Date: 11/11/2022
 Input by: Jonathan Landry
 Job Name: Lot 135 Hidden Lakes
 Project #: J1122-5625

BM1 Kerto-S LVL 1.750" X 11.875" 2-Ply - PASSED Level: Level



Member Information

Type: Girder
 Plies: 2
 Moisture Condition: Dry
 Deflection LL: 480
 Deflection TL: 240
 Importance: Normal - II
 Temperature: Temp <= 100°F

Application: Floor
 Design Method: ASD
 Building Code: IBC/IRC 2015
 Load Sharing: No
 Deck: Not Checked

Reactions UNPATTERNED lb (Uplift)

Brg	Direction	Live	Dead	Snow	Wind	Const
1	Vertical	0	2466	2405	0	0
2	Vertical	0	2466	2405	0	0

Bearings

Bearing	Length	Dir.	Cap.	React D/L lb	Total	Ld. Case	Ld. Comb.
1 - SPF	3.500"	Vert	94%	2466 / 2405	4871	L	D+S
2 - SPF	3.500"	Vert	94%	2466 / 2405	4871	L	D+S

Analysis Results

Analysis	Actual	Location	Allowed	Capacity	Comb.	Case
Moment	15038 ft-lb	6'7 1/2"	22897 ft-lb	0.657 (66%)	D+S	L
Unbraced	15038 ft-lb	6'7 1/2"	15046 ft-lb	0.999 (100%)	D+S	L
Shear	4656 lb	11'11 5/8"	10197 lb	0.457 (46%)	D+S	L
LL Defl inch	0.244 (L/628)	6'7 1/2"	0.320 (L/480)	0.764 (76%)	S	L
TL Defl inch	0.495 (L/310)	6'7 1/2"	0.640 (L/240)	0.774 (77%)	D+S	L

Design Notes

- 1 Provide support to prevent lateral movement and rotation at the end bearings. Lateral support may also be required at the interior bearings by the building code.
- 2 Fasten all plies using 4 rows of 10d Box nails (.128x3") at 12" o.c. Maximum end distance not to exceed 6".
- 3 Refer to last page of calculations for fasteners required for specified loads.
- 4 Girders are designed to be supported on the bottom edge only.
- 5 Top must be laterally braced at a maximum of 5'5 15/16" o.c.
- 6 Bottom must be laterally braced at end bearings.
- 7 Lateral slenderness ratio based on single ply width.

ID	Load Type	Location	Trib Width	Side	Dead 0.9	Live 1	Snow 1.15	Wind 1.6	Const. 1.25	Comments
1	Uniform			Near Face	363 PLF	0 PLF	363 PLF	0 PLF	0 PLF	A2
	Self Weight				9 PLF					

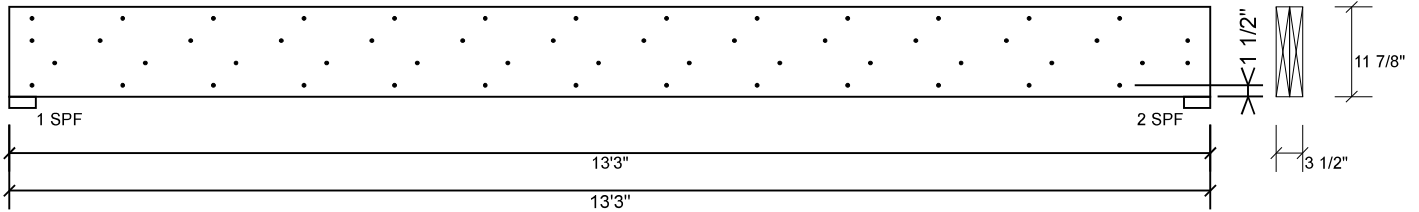
<p>Notes</p> <p>Calculated Structured Designs is responsible only of the structural adequacy of this component based on the design criteria and loadings shown. It is the responsibility of the customer and/or the contractor to ensure the component suitability of the intended application, and to verify the dimensions and loads.</p> <p>Lumber</p> <ol style="list-style-type: none"> 1. Dry service conditions, unless noted otherwise 2. LVL not to be treated with fire retardant or corrosive chemicals 	<p>Handling & Installation</p> <ol style="list-style-type: none"> 1. LVL beams must not be cut or drilled 2. Refer to manufacturer's product information regarding installation requirements, multi-ply fastening details, beam strength values, and code approvals 3. Damaged Beams must not be used 4. Design assumes top edge is laterally restrained 5. Provide lateral support at bearing points to avoid lateral displacement and rotation 	<p>6. For flat roofs provide proper drainage to prevent ponding</p>	<p>Manufacturer Info</p> <p>Metsä Wood 301 Merritt 7 Building, 2nd Floor Norwalk, CT 06851 (800) 622-5850 www.metsawood.com/us</p>	<p>Comtech, Inc. 1001 S. Reilly Road, Suite #639 Fayetteville, NC USA 28314 910-864-TRUS</p>
			<p>This design is valid until 11/3/2024</p>	



Client: Wellco Construction
 Project: Plan 11
 Address: 70 Sugarberry Place
 Clayton, NC 27527

Date: 11/11/2022
 Input by: Jonathan Landry
 Job Name: Lot 135 Hidden Lakes
 Project #: J1122-5625

BM1 Kerto-S LVL 1.750" X 11.875" 2-Ply - PASSED Level: Level



Multi-Ply Analysis

Fasten all plies using 4 rows of 10d Box nails (.128x3") at 12" o.c.. Maximum end distance not to exceed 6".

Capacity	96.4 %
Load	363.0 PLF
Yield Limit per Foot	376.5 PLF
Yield Limit per Fastener	94.1 lb.
Yield Mode	IV
Edge Distance	1 1/2"
Min. End Distance	3"
Load Combination	D+S
Duration Factor	1.15

Notes

Calculated Structured Designs is responsible only of the structural adequacy of this component based on the design criteria and loadings shown. It is the responsibility of the customer and/or the contractor to ensure the component suitability of the intended application, and to verify the dimensions and loads.

Lumber

1. Dry service conditions, unless noted otherwise
2. LVL not to be treated with fire retardant or corrosive chemicals

Handling & Installation

1. LVL beams must not be cut or drilled
2. Refer to manufacturer's product information regarding installation requirements, multi-ply fastening details, beam strength values, and code approvals
3. Damaged Beams must not be used
4. Design assumes top edge is laterally restrained
5. Provide lateral support at bearing points to avoid lateral displacement and rotation

6. For flat roofs provide proper drainage to prevent ponding

This design is valid until 11/3/2024

Manufacturer Info

Metsä Wood
 301 Merritt 7 Building, 2nd Floor
 Norwalk, CT 06851
 (800) 622-5850
www.metsawood.com/us

Comtech, Inc.
 1001 S. Reilly Road, Suite #639
 Fayetteville, NC
 USA
 28314
 910-864-TRUS



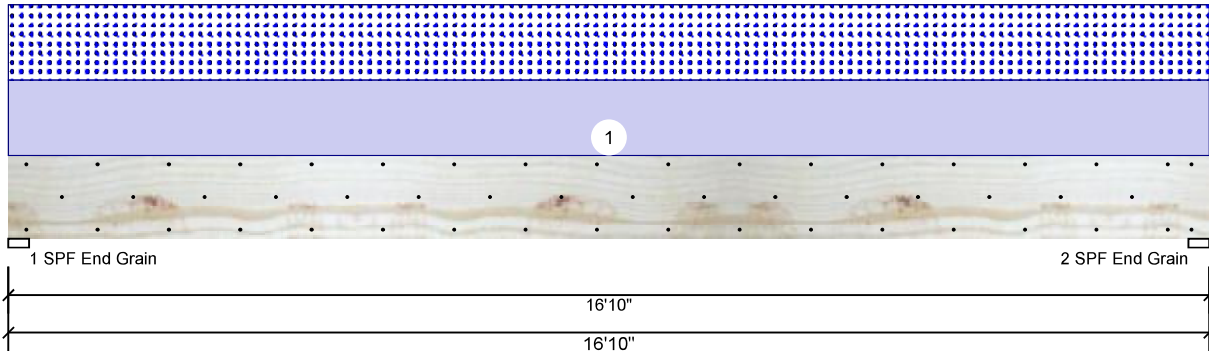


Client: Wellco Construction
 Project: Plan 11
 Address: 70 Sugarberry Place
 Clayton, NC 27527

Date: 11/11/2022
 Input by: Jonathan Landry
 Job Name: Lot 135 Hidden Lakes
 Project #: J1122-5625

GDH Kerto-S LVL 1.750" X 14.000" 2-Ply - PASSED

Level: Level



Member Information

Type:	Girder
Plies:	2
Moisture Condition:	Dry
Deflection LL:	480
Deflection TL:	240
Importance:	Normal - II
Temperature:	Temp <= 100°F

Application:	Floor
Design Method:	ASD
Building Code:	IBC/IRC 2015
Load Sharing:	No
Deck:	Not Checked

Reactions UNPATTERNED lb (Uplift)

Brg	Direction	Live	Dead	Snow	Wind	Const
1	Vertical	0	1607	1515	0	0
2	Vertical	0	1607	1515	0	0

Bearings

Bearing	Length	Dir.	Cap.	React D/L lb	Total	Ld. Case	Ld. Comb.
1 - SPF End Grain	3.500"	Vert	30%	1607 / 1515	3122	L	D+S
2 - SPF End Grain	3.500"	Vert	30%	1607 / 1515	3122	L	D+S

Analysis Results

Analysis	Actual	Location	Allowed	Capacity	Comb.	Case
Moment	12431 ft-lb	8'5"	31049 ft-lb	0.400 (40%)	D+S	L
Unbraced	12431 ft-lb	8'5"	12464 ft-lb	0.997 (100%)	D+S	L
Shear	2593 lb	15'4 1/2"	12021 lb	0.216 (22%)	D+S	L
LL Defl inch	0.196 (L/1002)	8'5 1/16"	0.409 (L/480)	0.479 (48%)	S	L
TL Defl inch	0.404 (L/486)	8'5 1/16"	0.819 (L/240)	0.494 (49%)	D+S	L

Design Notes

- 1 Provide support to prevent lateral movement and rotation at the end bearings. Lateral support may also be required at the interior bearings by the building code.
- 2 Fasten all plies using 3 rows of 10d Box nails (.128x3") at 12" o.c. Maximum end distance not to exceed 6".
- 3 Refer to last page of calculations for fasteners required for specified loads.
- 4 Girders are designed to be supported on the bottom edge only.
- 5 Top loads must be supported equally by all plies.
- 6 Top must be laterally braced at a maximum of 8'4 3/16" o.c.
- 7 Bottom must be laterally braced at end bearings.
- 8 Lateral slenderness ratio based on single ply width.

ID	Load Type	Location	Trib Width	Side	Dead 0.9	Live 1	Snow 1.15	Wind 1.6	Const. 1.25	Comments
1	Uniform			Top	180 PLF	0 PLF	180 PLF	0 PLF	0 PLF	B1GE
	Self Weight				11 PLF					

Notes
 Calculated Structured Designs is responsible only of the structural adequacy of this component based on the design criteria and loadings shown. It is the responsibility of the customer and/or the contractor to ensure the component suitability of the intended application, and to verify the dimensions and loads.
Lumber
 1. Dry service conditions, unless noted otherwise
 2. LVL not to be treated with fire retardant or corrosive chemicals

Handling & Installation
 1. LVL beams must not be cut or drilled
 2. Refer to manufacturer's product information regarding installation requirements, multi-ply fastening details, beam strength values, and code approvals
 3. Damaged Beams must not be used
 4. Design assumes top edge is laterally restrained
 5. Provide lateral support at bearing points to avoid lateral displacement and rotation

6. For flat roofs provide proper drainage to prevent ponding
 This design is valid until 11/3/2024

Manufacturer Info
 Metsä Wood
 301 Merritt 7 Building, 2nd Floor
 Norwalk, CT 06851
 (800) 622-5850
 www.metsawood.com/us

Comtech, Inc.
 1001 S. Reilly Road, Suite #639
 Fayetteville, NC
 USA
 28314
 910-864-TRUS



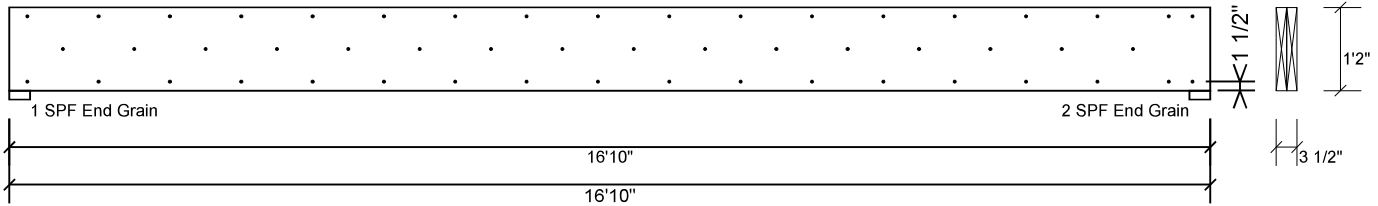


Client: Wellco Construction
 Project: Plan 11
 Address: 70 Sugarberry Place
 Clayton, NC 27527

Date: 11/11/2022
 Input by: Jonathan Landry
 Job Name: Lot 135 Hidden Lakes
 Project #: J1122-5625

GDH Kerto-S LVL 1.750" X 14.000" 2-Ply - PASSED

Level: Level



Multi-Ply Analysis

Fasten all plies using 3 rows of 10d Box nails (.128x3") at 12" o.c.. Maximum end distance not to exceed 6".

Capacity	0.0 %
Load	0.0 PLF
Yield Limit per Foot	245.6 PLF
Yield Limit per Fastener	81.9 lb.
Yield Mode	IV
Edge Distance	1 1/2"
Min. End Distance	3"
Load Combination	
Duration Factor	1.00

Notes

Calculated Structured Designs is responsible only of the structural adequacy of this component based on the design criteria and loadings shown. It is the responsibility of the customer and/or the contractor to ensure the component suitability of the intended application, and to verify the dimensions and loads.

Lumber

1. Dry service conditions, unless noted otherwise
2. LVL not to be treated with fire retardant or corrosive chemicals

Handling & Installation

1. LVL beams must not be cut or drilled
2. Refer to manufacturer's product information regarding installation requirements, multi-ply fastening details, beam strength values, and code approvals
3. Damaged Beams must not be used
4. Design assumes top edge is laterally restrained
5. Provide lateral support at bearing points to avoid lateral displacement and rotation

6. For flat roofs provide proper drainage to prevent ponding

This design is valid until 11/3/2024

Manufacturer Info

Metsä Wood
 301 Merritt 7 Building, 2nd Floor
 Norwalk, CT 06851
 (800) 622-5850
www.metsawood.com/us

Comtech, Inc.
 1001 S. Reilly Road, Suite #639
 Fayetteville, NC
 USA
 28314
 910-864-TRUS



Reaction Summary of Order



REQ. QUOTE DATE	//	ORDER #	J1122-5625
ORDER DATE	11/08/22	QUOTE #	
DELIVERY DATE	//	CUSTOMER ACCT #	0000006558
DATE OF INVOICE	//	CUSTOMER PO #	
ORDERED BY	Jason Wellons	INVOICE #	
COUNTY	Johnston	TERMS	Net 10 Days
SUPERINTENDANT	Jason Wellons	SALES REP	Lenny Norris
JOBSITE PHONE #	(910) 263-0276	SALES AREA	David Landry

WELLCO CONTRACTORS, INC.	Wellco Contractors, Inc. PO Box 766 Spring Lake, NC 28390 (910) 436-3131	JOB NAME: Lot 135 Hidden Lakes MODEL: Roof TAG: Plan 11 DELIVERY INSTRUCTIONS:	LOT # 135 SUBDIV: Hidden Lakes JOB CATEGORY: B & S - Build and Ship
	Wellco Contractors 70 Sugarberry Place Clayton, NC 27527	SPECIAL INSTRUCTIONS: Copied from Lot 150 Hidden Lakes (J0922-4576)	PLAN SEAL DATE: N/A

BUILDING DEPARTMENT	OVERHANG INFO	HEEL HEIGHT	00-04-05	REQ. LAYOUTS	REQ. ENGINEERING	QUOTE	JL	DATE
Roof Order	END CUT RETURN					LAYOUT	JL	11/11/22
	PLUMB	GABLE STUDS	16 IN. OC	JOBSITE	1	CUTTING	JL	11/11/22

ROOF TRUSSES

LOADING INFORMATION

TCLL-TCDL-BCLL-BCDL	STRESS INCR.
20.0,10.0,0.0,10.0	1.15

ROOF TRUSS SPACING: 24.0 IN. O.C. (TYP.)

PROFILE	QTY	PITCH		TYPE ID	BASE O/A	LUMBER		OVERHANG		REACTIONS
		TOP	BOT			TOP	BOT	LEFT	RIGHT	
	10	10.00	0.00	PIGGYBACK A1	32-08-00 32-08-00	2 X 6	2 X 6			Joint 1 Joint 10 1509.2 lbs. 1509.2 lbs. -186.3 lbs. -186.3 lbs.
	1	10.00	0.00	PIGGYBACK A1GE	32-08-00 32-08-00	2 X 6	2 X 6		00-11-00	Joint 1 Joint 23 Joint 25 Joint 26 Joint 27 351.1 lbs. 247.9 lbs. 270.6 lbs. 180.9 lbs. 199.5 lbs. -245.2 lbs. -78.3 lbs. -316.1 lbs. -132.0 lbs. -167.8 lbs.
	6	4.00	0.00	PIGGYBACK A2	37-09-00 37-09-00	2 X 6	2 X 6		00-11-00	Joint 9 Joint 15 1383.2 lbs. 1785.7 lbs. -184.5 lbs. -308.4 lbs.
	6	10.00	0.00	PIGGYBACK A3	30-11-08 30-11-08	2 X 6	2 X 6			Joint 7 Joint 12 1328.7 lbs. 1280.9 lbs. -175.8 lbs. -157.3 lbs.
	1	10.00	0.00	PIGGYBACK A3GE	30-11-08 30-11-08	2 X 6	2 X 6			Joint 20 Joint 21 Joint 22 Joint 23 Joint 24 287.7 lbs. 281.5 lbs. 184.8 lbs. 198.7 lbs. 200.7 lbs. -136.7 lbs. -310.3 lbs. -146.2 lbs. -164.9 lbs. -176.6 lbs.
	4	10.00	0.00	PIGGYBACK A4	27-03-08 27-03-08	2 X 6	2 X 6			Joint 7 Joint 12 1185.3 lbs. 1180.1 lbs. -147.3 lbs. -137.7 lbs.
	7	12.00	0.00	ATTIC B1	21-02-00 21-02-00	2 X 6	2 X 10		00-11-00 00-11-00	Joint 2 Joint 10 1430.0 lbs. 1424.7 lbs. 42.2 lbs. 57.1 lbs.
	1	12.00	0.00	GABLE B1GE	21-02-00 21-02-00	2 X 6	2 X 10		00-11-00 00-11-00	Joint 2 Joint 12 1333.1 lbs. 1390.9 lbs. -111.5 lbs. -96.7 lbs.
	1	12.00	0.00	ATTIC B2	21-02-00 21-02-00	2 X 6	2 X 10		00-11-00	Joint 1 Joint 9 1394.6 lbs. 1425.4 lbs. 50.6 lbs. 56.9 lbs.
	1 2 Ply	12.00	0.00	ATTIC B2-GR	21-02-00 21-02-00	2 X 6	2 X 10		00-11-00	Joint 1 Joint 5 Joint 6 Joint 8 Joint 9 1683.9 lbs. 158.0 lbs. 419.8 lbs. 232.5 lbs. 1983.4 lbs. -3.5 lbs. -4.7 lbs. -90.8 lbs. 44.9 lbs. -90.9 lbs.

Reaction Summary of Order



REQ. QUOTE DATE	//	ORDER #	J1122-5625
ORDER DATE	11/08/22	QUOTE #	
DELIVERY DATE	//	CUSTOMER ACCT #	0000006558
DATE OF INVOICE	//	CUSTOMER PO #	
ORDERED BY	Jason Wellons	INVOICE #	
COUNTY	Johnston	TERMS	Net 10 Days
SUPERINTENDANT	Jason Wellons	SALES REP	Lenny Norris
JOBSITE PHONE #	(910) 263-0276	SALES AREA	David Landry

WELLCO CONTRACTORS, INC.	Wellco Contractors, Inc. PO Box 766 Spring Lake, NC 28390 (910) 436-3131	JOB NAME: Lot 135 Hidden Lakes MODEL: Roof TAG: Plan 11 DELIVERY INSTRUCTIONS:	LOT # 135 SUBDIV: Hidden Lakes JOB CATEGORY: B & S - Build and Ship
	Wellco Contractors 70 Sugarberry Place Clayton, NC 27527	SPECIAL INSTRUCTIONS: Copied from Lot 150 Hidden Lakes (J0922-4576)	PLAN SEAL DATE: N/A

BUILDING DEPARTMENT	OVERHANG INFO	HEEL HEIGHT	00-04-05	REQ. LAYOUTS	REQ. ENGINEERING	QUOTE	JL	11/11/22
Roof Order	END CUT RETURN					LAYOUT	JL	11/11/22
	PLUMB	GABLE STUDS	16 IN. OC	JOBSITE	1	CUTTING	JL	11/11/22

ROOF TRUSSES

LOADING INFORMATION

TCLL-TCDL-BCLL-BCDL	STRESS INCR.
20.0,10.0,0.0,10.0	1.15

ROOF TRUSS SPACING: 24.0 IN. O.C. (TYP.)

PROFILE	QTY PLY	PITCH		TYPE ID	BASE O/A	LUMBER		OVERHANG		REACTIONS				
		TOP	BOT			TOP	BOT	LEFT	RIGHT					
	1	12.00	0.00	COMMON C1	20-01-00 20-01-00	2 X 6	2 X 6	00-11-00	00-11-00	Joint 2 738.4 lbs. -105.3 lbs.	Joint 8 393.1 lbs. -61.0 lbs.	Joint 10 604.4 lbs. -103.4 lbs.		
	1	12.00	0.00	GABLE C1SG	20-01-00 20-01-00	2 X 6	2 X 6	00-11-00	00-11-00	Joint 2 701.4 lbs. -198.1 lbs.	Joint 12 319.9 lbs. -67.3 lbs.	Joint 15 701.2 lbs. -313.0 lbs.		
	2	12.00	0.00	COMMON C2	20-01-00 20-01-00	2 X 6	2 X 6	00-11-00		Joint 2 674.0 lbs. -65.8 lbs.	Joint 8 346.4 lbs. -45.9 lbs.	Joint 9 603.0 lbs. -101.2 lbs.		
	1 2 Ply	12.00	0.00	COMMON C2-GR	20-01-00 20-01-00	2 X 6	2 X 8	00-11-00		Joint 2 5633.7 lbs. -776.2 lbs.	Joint 8 297.7 lbs. -158.0 lbs.	Joint 9 6175.5 lbs. -846.2 lbs.		
	1 2 Ply	6.00	0.00	COMMON D1-GR	18-08-00 18-08-00	2 X 6	2 X 6			Joint 1 6559.5 lbs. -968.4 lbs.	Joint 5 5794.8 lbs. -865.7 lbs.			
	1	6.00	0.00	COMMON D1GE	18-08-00 18-08-00	2 X 6	2 X 6	00-11-00	00-11-00	Joint 2 108.5 lbs. -42.0 lbs.	Joint 12 108.5 lbs. -16.4 lbs.	Joint 14 128.5 lbs. -119.5 lbs.	Joint 15 165.0 lbs. -110.3 lbs.	Joint 16 159.7 lbs. -114.0 lbs.
	5	6.00	0.00	COMMON G1	15-11-00 15-11-00	2 X 6	2 X 6	00-11-00	00-11-00	Joint 2 677.2 lbs. -130.3 lbs.	Joint 4 677.2 lbs. -130.3 lbs.			
	1	6.00	0.00	COMMON G1GE	15-11-00 15-11-00	2 X 6	2 X 6	00-11-00	00-11-00	Joint 2 128.6 lbs. -28.5 lbs.	Joint 10 128.6 lbs. -11.1 lbs.	Joint 12 163.5 lbs. -75.8 lbs.	Joint 13 158.9 lbs. -62.7 lbs.	Joint 14 166.2 lbs. -55.5 lbs.
	3	12.00	0.00	COMMON H1	13-01-00 13-01-00	2 X 6	2 X 6	00-11-00	00-11-00	Joint 2 570.1 lbs. -86.1 lbs.	Joint 6 570.1 lbs. -86.1 lbs.			
	1	12.00	0.00	COMMON H1GE	13-01-00 13-01-00	2 X 6	2 X 6	00-11-00	00-11-00	Joint 2 265.9 lbs. -106.0 lbs.	Joint 10 228.3 lbs. -55.7 lbs.	Joint 12 284.7 lbs. -358.6 lbs.	Joint 13 190.7 lbs. -148.2 lbs.	Joint 14 205.2 lbs. 15.3 lbs.

Reaction Summary of Order



REQ. QUOTE DATE	//	ORDER #	J1122-5625
ORDER DATE	11/08/22	QUOTE #	
DELIVERY DATE	//	CUSTOMER ACCT #	0000006558
DATE OF INVOICE	//	CUSTOMER PO #	
ORDERED BY	Jason Wellons	INVOICE #	
COUNTY	Johnston	TERMS	Net 10 Days
SUPERINTENDANT	Jason Wellons	SALES REP	Lenny Norris
JOBSITE PHONE #	(910) 263-0276	SALES AREA	David Landry

WELCO CONTRACTORS	Wellco Contractors, Inc. PO Box 766 Spring Lake, NC 28390 (910) 436-3131	JOB NAME: Lot 135 Hidden Lakes MODEL: Roof TAG: Plan 11 DELIVERY INSTRUCTIONS:	LOT # 135 SUBDIV: Hidden Lakes JOB CATEGORY: B & S - Build and Ship
	Wellco Contractors 70 Sugarberry Place Clayton, NC 27527	SPECIAL INSTRUCTIONS: Copied from Lot 150 Hidden Lakes (J0922-4576)	PLAN SEAL DATE: N/A

BUILDING DEPARTMENT	OVERHANG INFO	HEEL HEIGHT	00-04-05	REQ. LAYOUTS	REQ. ENGINEERING	QUOTE	JL	11/11/22
Roof Order	END CUT RETURN					LAYOUT	JL	11/11/22
	PLUMB	GABLE STUDS	16 IN. OC	JOBSITE	1	CUTTING	JL	11/11/22

ROOF TRUSSES

LOADING INFORMATION

TCLL-TCDL-BCLL-BCDL	STRESS INCR.
20.0,10.0,0.0,10.0	1.15

ROOF TRUSS SPACING: 24.0 IN. O.C. (TYP.)

PROFILE	QTY	PITCH		TYPE ID	BASE O/A	LUMBER		OVERHANG		REACTIONS
		TOP	BOT			TOP	BOT	LEFT	RIGHT	
	1	4.00	0.00	MONOPITCH M1-GR	05-04-00 05-04-00	2 X 6	2 X 6			Joint 1 Joint 5 560.8 lbs. 597.7 lbs. -135.7 lbs. -315.7 lbs.
	26	10.00	0.00	PIGGYBACK PB	06-08-09 06-08-09	2 X 4	2 X 4			Joint 2 Joint 4 Joint 6 182.0 lbs. 182.0 lbs. 222.9 lbs. -55.7 lbs. -64.8 lbs. 8.2 lbs.
	2	10.00	0.00	GABLE PBGE	06-08-09 06-08-09	2 X 4	2 X 4			Joint 2 Joint 6 Joint 8 Joint 9 Joint 10 91.4 lbs. 78.2 lbs. 200.7 lbs. 119.0 lbs. 202.0 lbs. -34.4 lbs. -11.8 lbs. -175.6 lbs. 23.5 lbs. -176.8 lbs.
	1	12.00	0.00	VALLEY VC1	17-04-04 17-04-04	2 X 4	2 X 4			Joint 1 Joint 5 Joint 6 Joint 8 Joint 9 221.1 lbs. 188.1 lbs. 581.8 lbs. 427.1 lbs. 582.2 lbs. -47.6 lbs. -3.7 lbs. -319.6 lbs. 58.3 lbs. -319.8 lbs.
	1	12.00	0.00	VALLEY VC2	14-00-04 14-00-04	2 X 4	2 X 4			Joint 1 Joint 5 Joint 6 Joint 7 Joint 8 161.8 lbs. 135.3 lbs. 438.4 lbs. 407.6 lbs. 438 lbs. -57.0 lbs. -21.8 lbs. -257.1 lbs. 52.7 lbs. -257.2 lbs.
	1	12.00	0.00	VALLEY VC3	10-08-04 10-08-04	2 X 4	2 X 4			Joint 1 Joint 5 Joint 6 Joint 7 Joint 8 164.7 lbs. 151.7 lbs. 390.9 lbs. 220.3 lbs. 391.0 lbs. -147.6 lbs. -121.3 lbs. -258.9 lbs. 43.5 lbs. -258.8 lbs.
	1	12.00	0.00	VALLEY VC4	07-04-04 07-04-04	2 X 4	2 X 4			Joint 1 Joint 3 Joint 4 163.5 lbs. 163.5 lbs. 210.0 lbs. -53.0 lbs. -53.0 lbs. 11.8 lbs.
	1	12.00	0.00	VALLEY VC5	04-00-04 04-00-04	2 X 4	2 X 4			Joint 1 Joint 3 Joint 4 82.3 lbs. 82.3 lbs. 105.7 lbs. -26.7 lbs. -26.7 lbs. 6.0 lbs.
	1	6.00	0.00	VALLEY VD1	11-01-09 11-01-09	2 X 4	2 X 4			Joint 1 Joint 3 Joint 4 184.1 lbs. 184.1 lbs. 431.0 lbs. -49.5 lbs. -57.0 lbs. -44.1 lbs.
	1	6.00	0.00	VALLEY VD2	04-05-09 04-05-09	2 X 4	2 X 4			Joint 1 Joint 3 Joint 4 67.0 lbs. 67.1 lbs. 128.5 lbs. -20.3 lbs. -22.9 lbs. -6.4 lbs.

Reaction Summary of Order



REQ. QUOTE DATE	//	ORDER #	J1122-5625
ORDER DATE	11/08/22	QUOTE #	
DELIVERY DATE	//	CUSTOMER ACCT #	0000006558
DATE OF INVOICE	//	CUSTOMER PO #	
ORDERED BY	Jason Wellons	INVOICE #	
COUNTY	Johnston	TERMS	Net 10 Days
SUPERINTENDANT	Jason Wellons	SALES REP	Lenny Norris
JOBSITE PHONE #	(910) 263-0276	SALES AREA	David Landry

WELLCO CONTRACTORS	Wellco Contractors, Inc. PO Box 766 Spring Lake, NC 28390 (910) 436-3131	JOB NAME: Lot 135 Hidden Lakes MODEL: Roof TAG: Plan 11 DELIVERY INSTRUCTIONS:	LOT # 135 SUBDIV: Hidden Lakes JOB CATEGORY: B & S - Build and Ship
	Wellco Contractors 70 Sugarberry Place Clayton, NC 27527	SPECIAL INSTRUCTIONS: Copied from Lot 150 Hidden Lakes (J0922-4576)	PLAN SEAL DATE: N/A

BUILDING DEPARTMENT	OVERHANG INFO	HEEL HEIGHT	00-04-05	REQ. LAYOUTS	REQ. ENGINEERING	QUOTE	JL	11/11/22
Roof Order	END CUT RETURN					LAYOUT	JL	11/11/22
	PLUMB	GABLE STUDS	16 IN. OC	JOBSITE 1	JOBSITE 1	CUTTING	JL	11/11/22

ROOF TRUSSES

LOADING INFORMATION	TCLL-TCDL-BCLL-BCDL	STRESS INCR.	ROOF TRUSS SPACING: 24.0 IN. O.C. (TYP.)
	20.0,10.0,0.0,10.0	1.15	

PROFILE	QTY PLY	PITCH		TYPE ID	BASE O/A	LUMBER		OVERHANG		REACTIONS
		TOP	BOT			TOP	BOT	LEFT	RIGHT	
	1	6.00	0.00	VALLEY VG1	14-02-09 14-02-09	2 X 4	2 X 4			Joint 1 Joint 5 Joint 6 Joint 7 Joint 8 74.1 lbs. 74.1 lbs. 312.8 lbs. 282.3 lbs. 312.8 lbs. -11.4 lbs. -1.6 lbs. -125.2 lbs. 6.8 lbs. -125.4 lbs.
	1	6.00	0.00	VALLEY VG2	07-06-09 07-06-09	2 X 4	2 X 4			Joint 1 Joint 3 Joint 4 129.8 lbs. 129.8 lbs. 249.7 lbs. -39.4 lbs. -44.2 lbs. -12.8 lbs.

ITEMS

QTY	ITEM TYPE	SIZE	LENGTH FT-IN-16	PART NUMBER	NOTES
25	Hangers, USP	HUS 26			SIMPSON (HUS26)
2	LVL Beams (Sized)	LVL, 1-3/4" x 11-7/8" (S)	14-00-00		BM1
2	LVL Beams (Sized)	LVL, 1-3/4" x 14" (S)	22-00-00		GDH
1	Hangers, USP	THD26-2			SIMPSON (HHUS26-2)