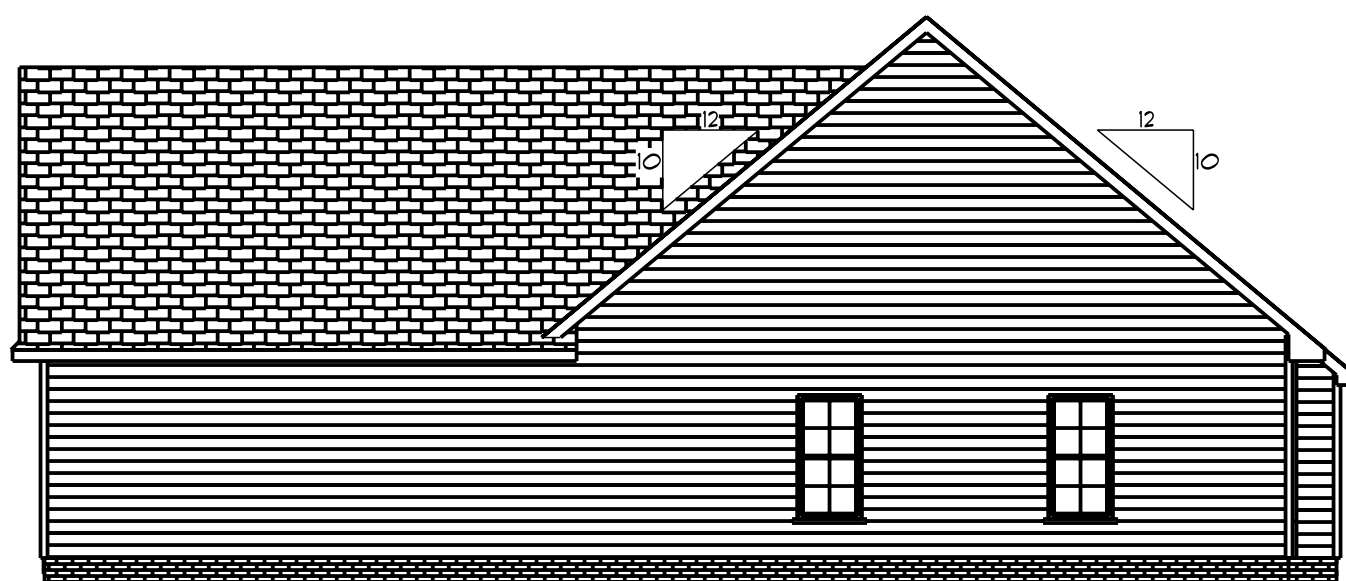




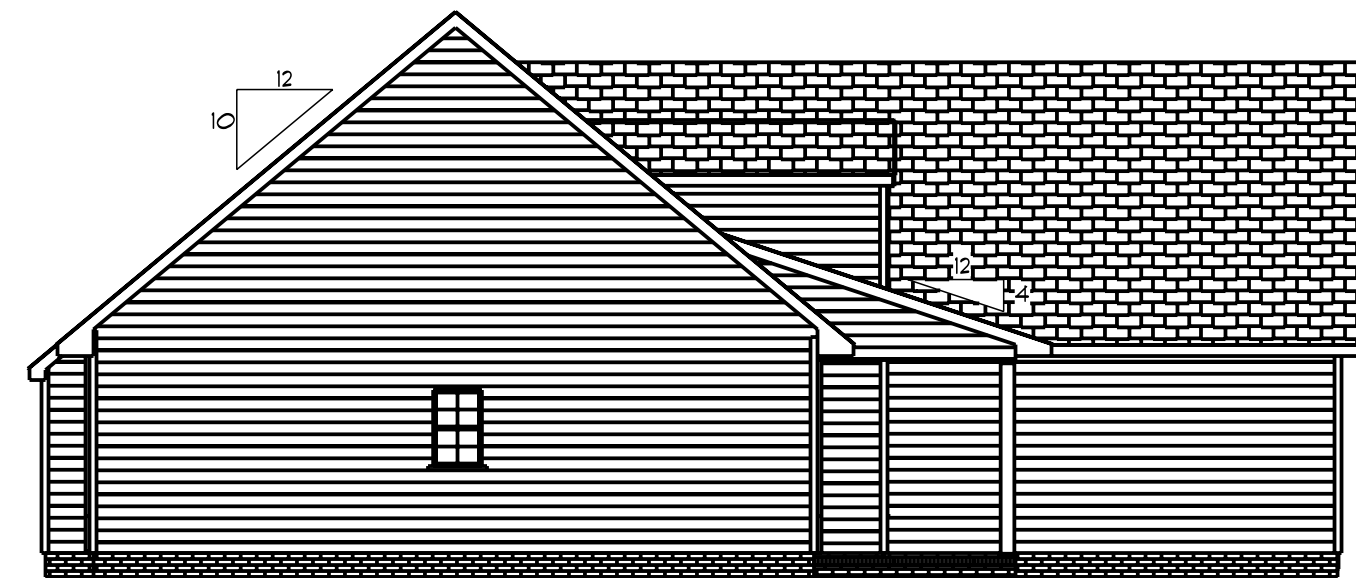
Front Elevation
Scale: 1/4" = 1'0"



Rear Elevation
Scale: 1/8" = 1'0"



Right Elevation
Scale: 1/8" = 1'0"



Left Elevation
Scale: 1/8" = 1'0"

DATE: 12/19/2022

REVISED

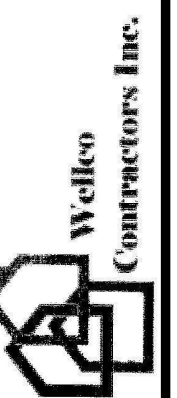
DRAWING#

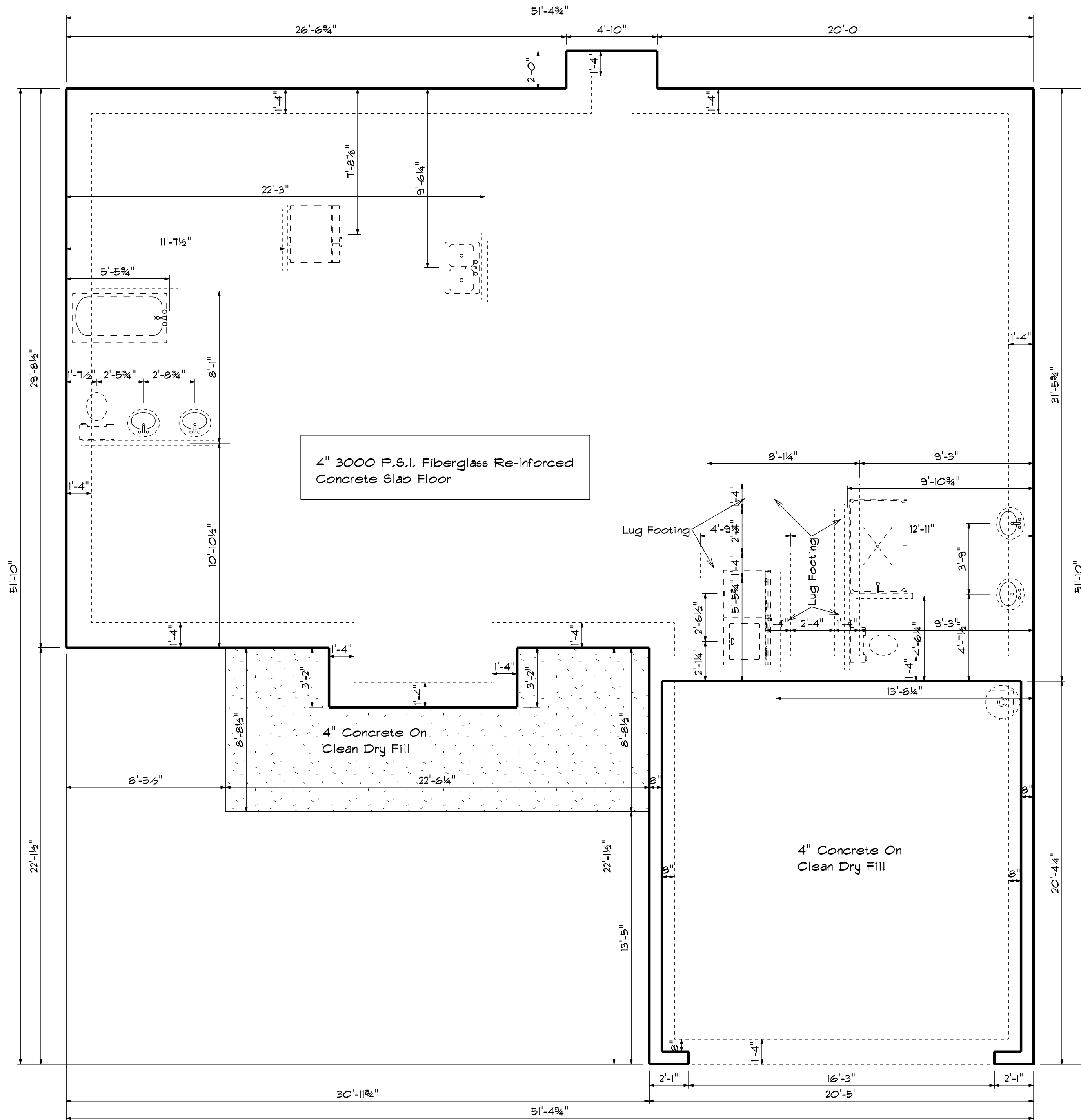
SCALE: 1/4"

DRAWN BY

APPROVED

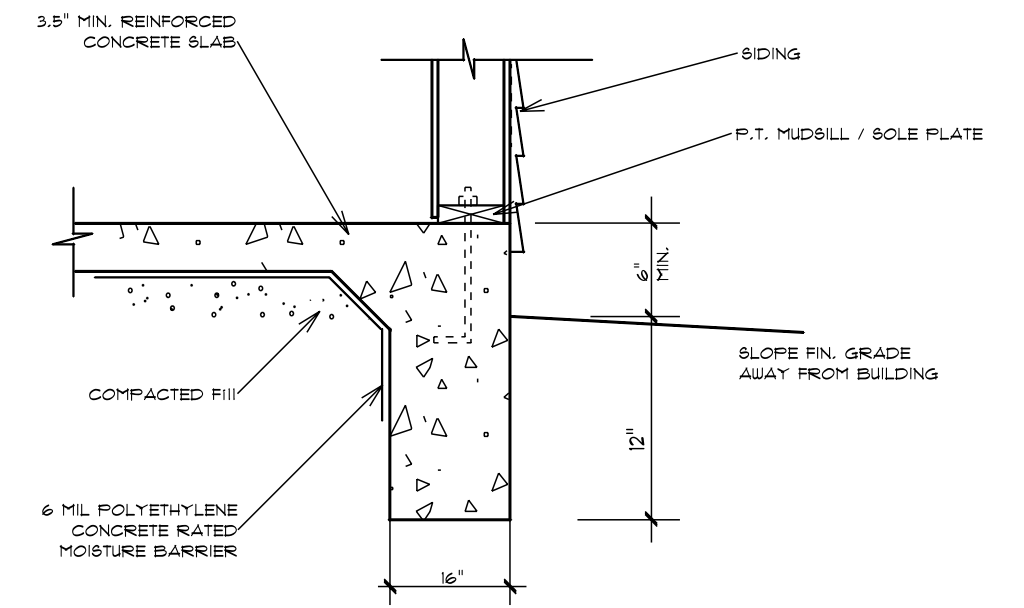
Plan# 8



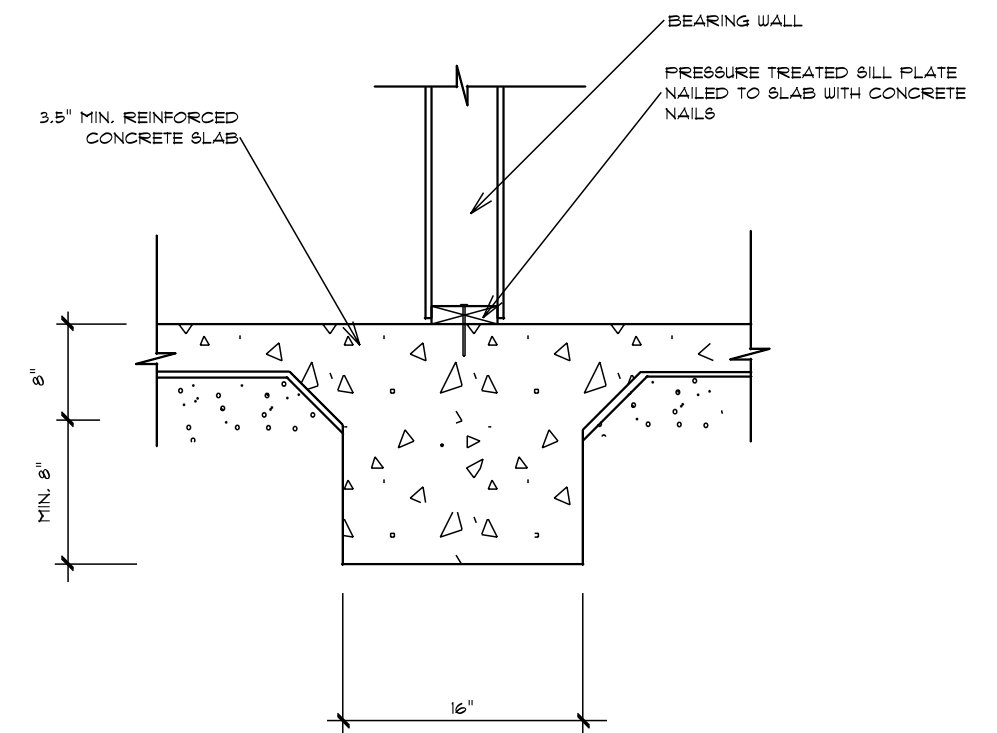


Foundation Plan

Scale: 1/4" = 1'-0"



TURN-DOWN FOOTING DETAIL

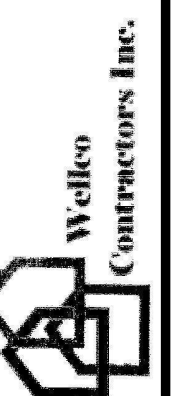


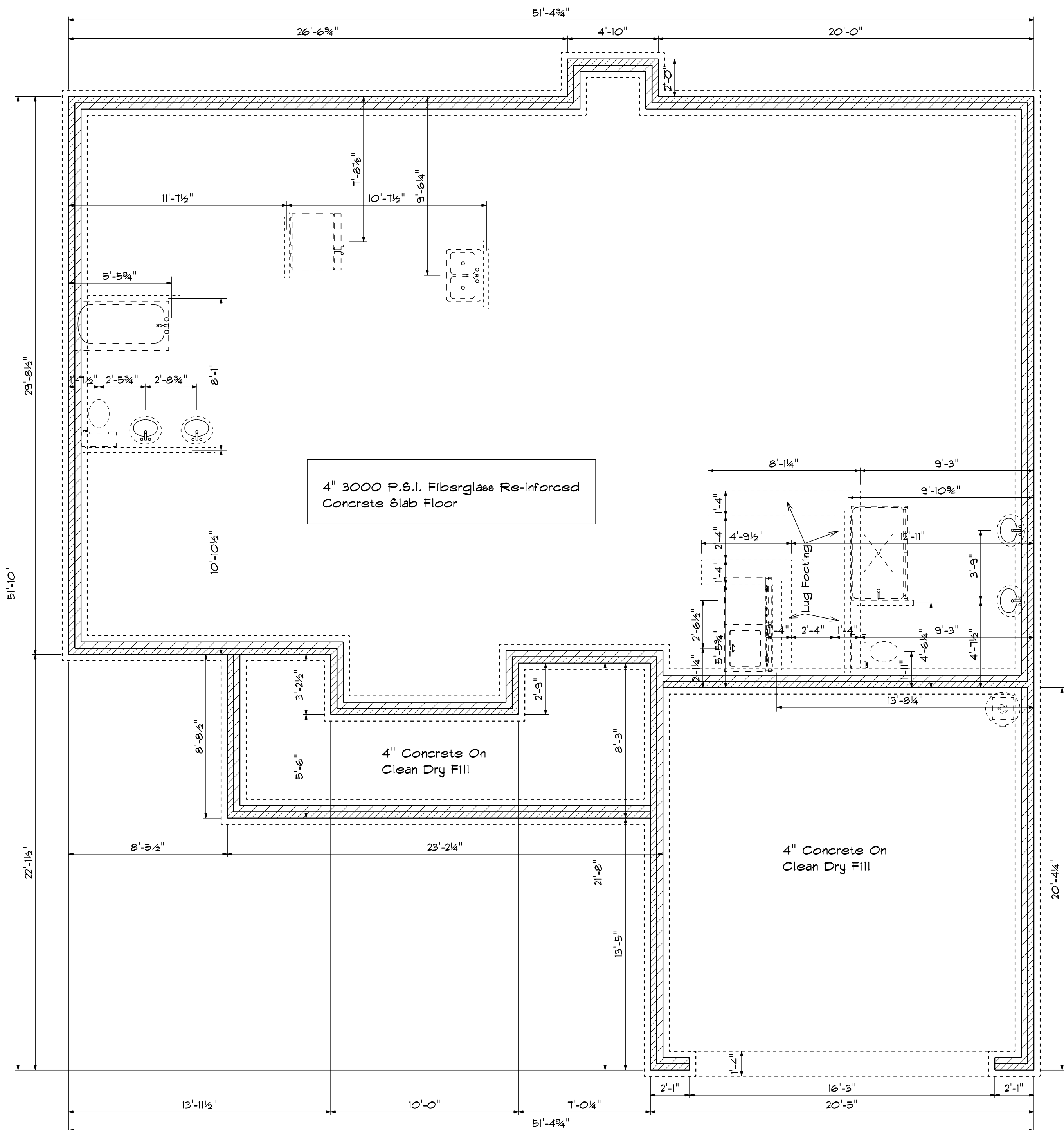
INTEGRAL SLAB FOOTING DETAIL AT BEARING WALL

DATE: 12/19/2022
REVISED
DRAWING#

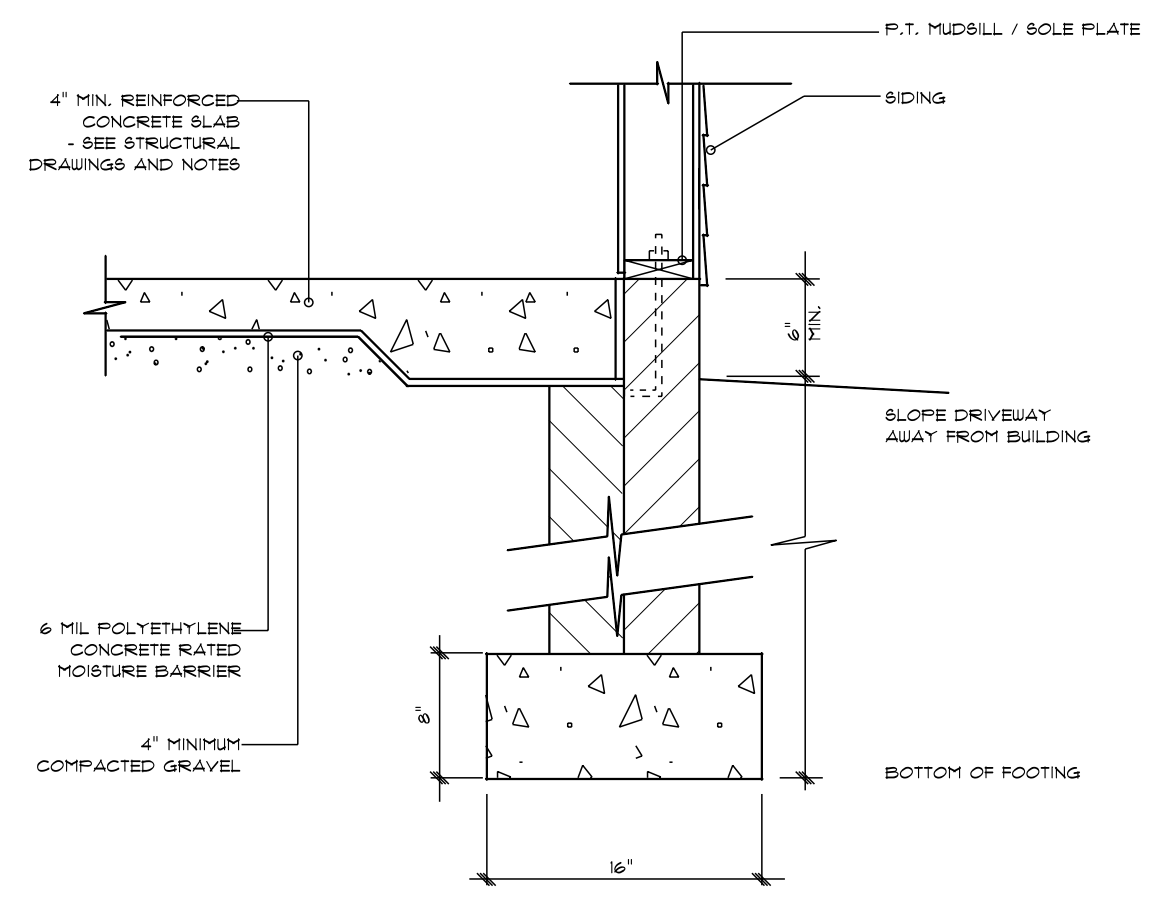
SCALE: 1/4"
DRAWN BY
APPROVED

Plan# 8

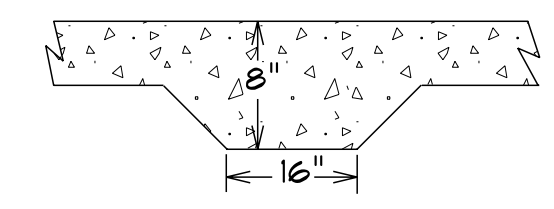




Foundation Plan
 Scale: 1/4" = 1'-0"



STEM WALL FOOTING DETAIL



LUG FOOTING DETAIL

DATE: 12/19/2022	
REVISION	DRAWING#
SCALE: 1/4"	DRAWN BY
	APPROVED