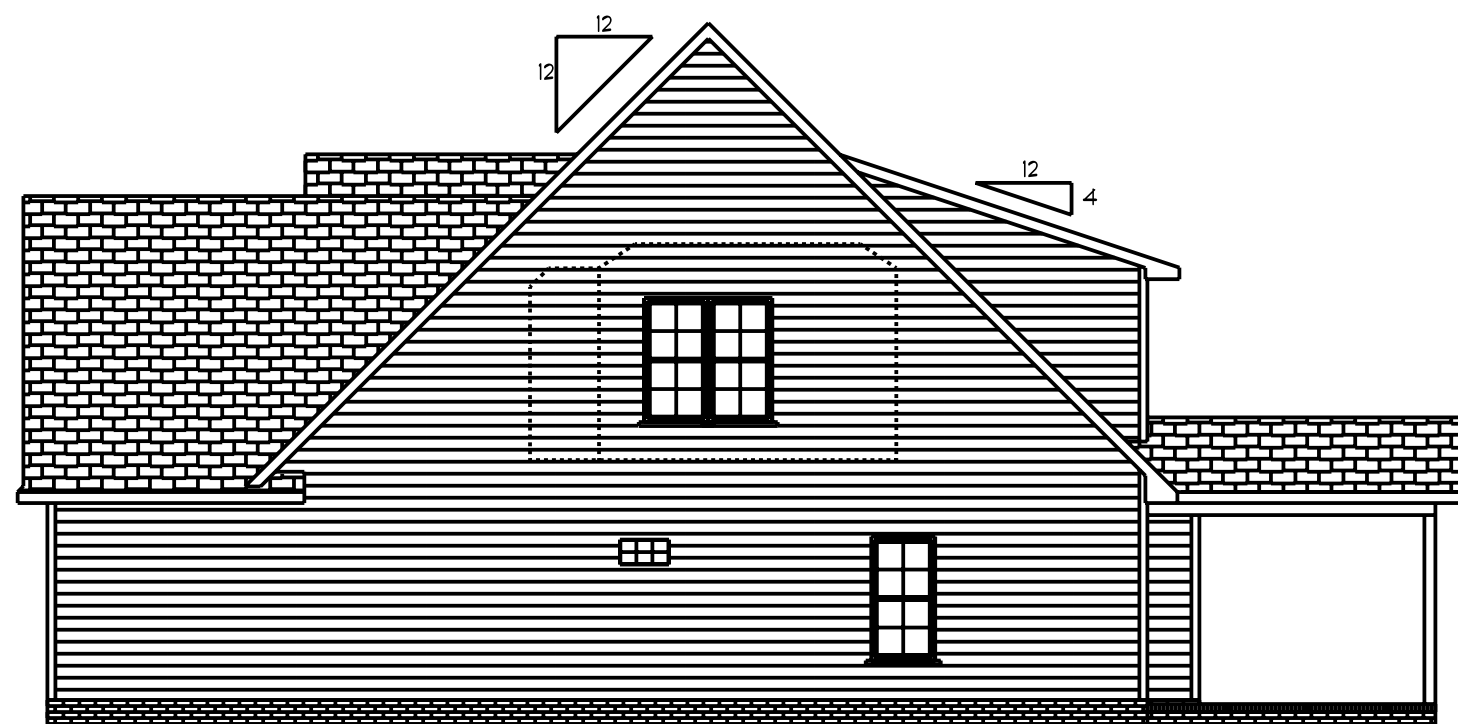




Front Elevation
Scale: 1/4" = 1'0"



Right Elevation
Scale: 1/8" = 1'0"



Rear Elevation
Scale: 1/8" = 1'0"

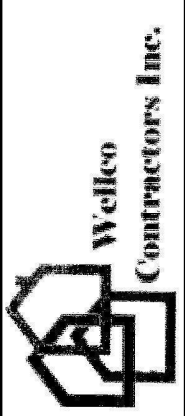


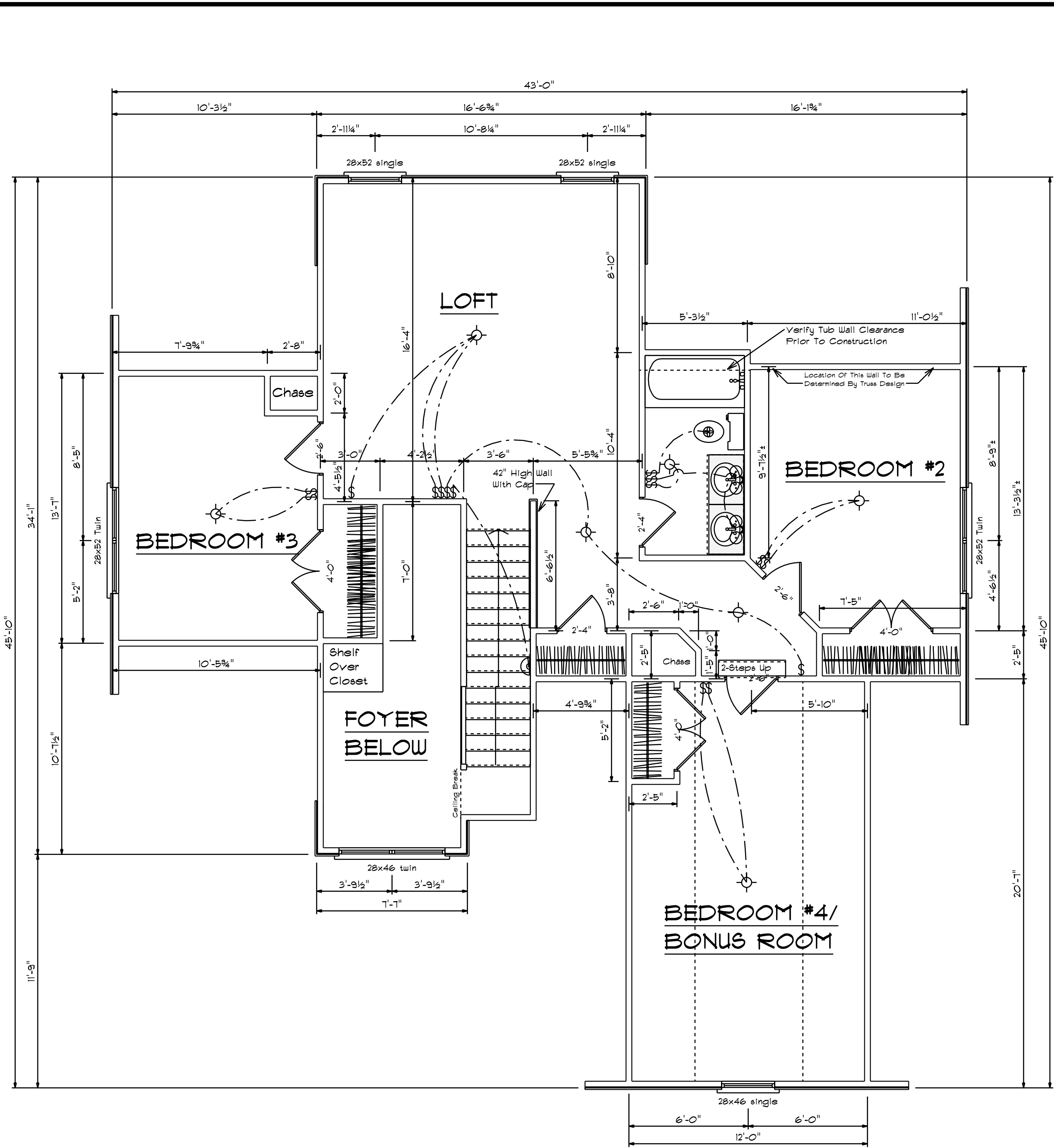
Left Elevation
Scale: 1/8" = 1'0"

DATE: Saturday, December 17, 2024
REVISED
DRAWING#

SCALE: 1/4"
DRAWN BY
APPROVED

Plan #7





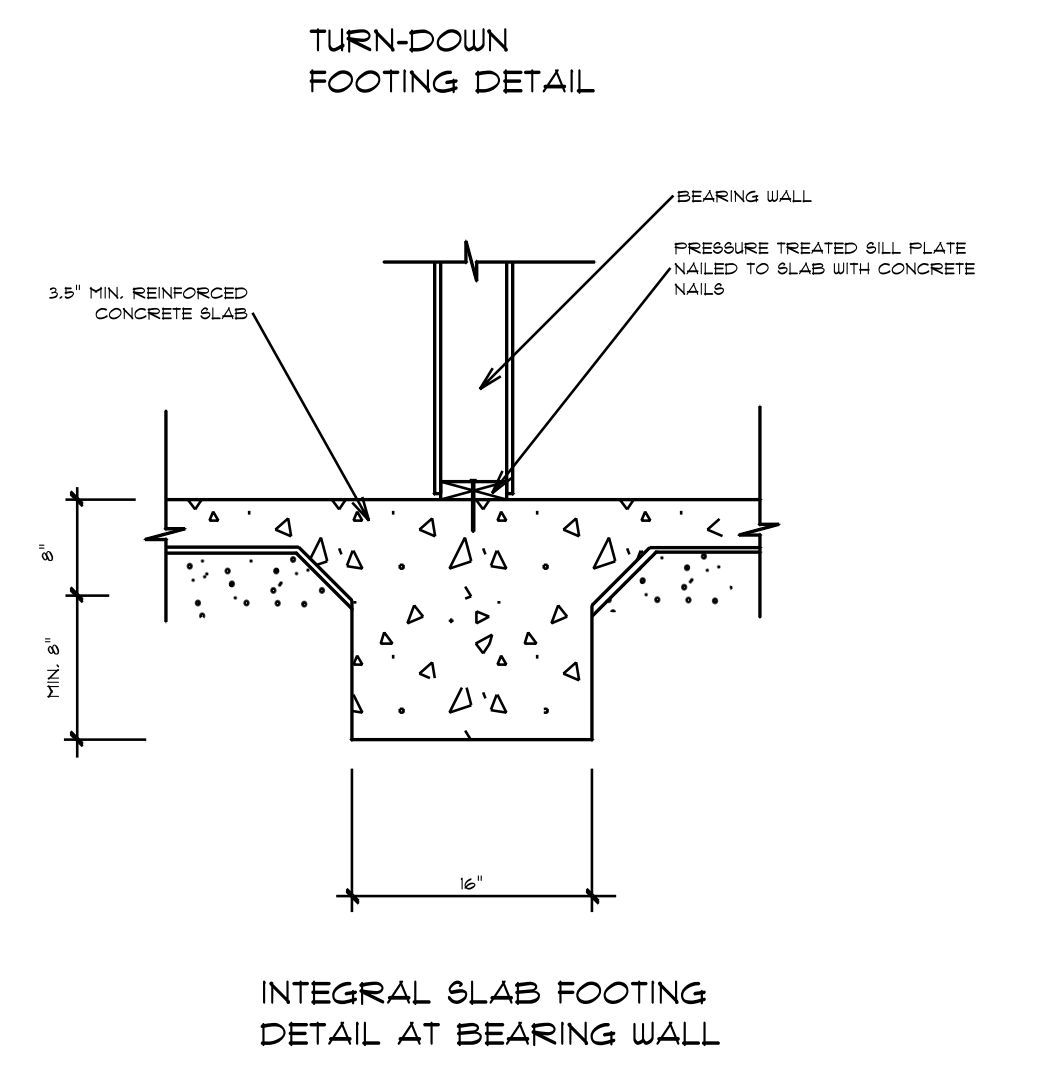
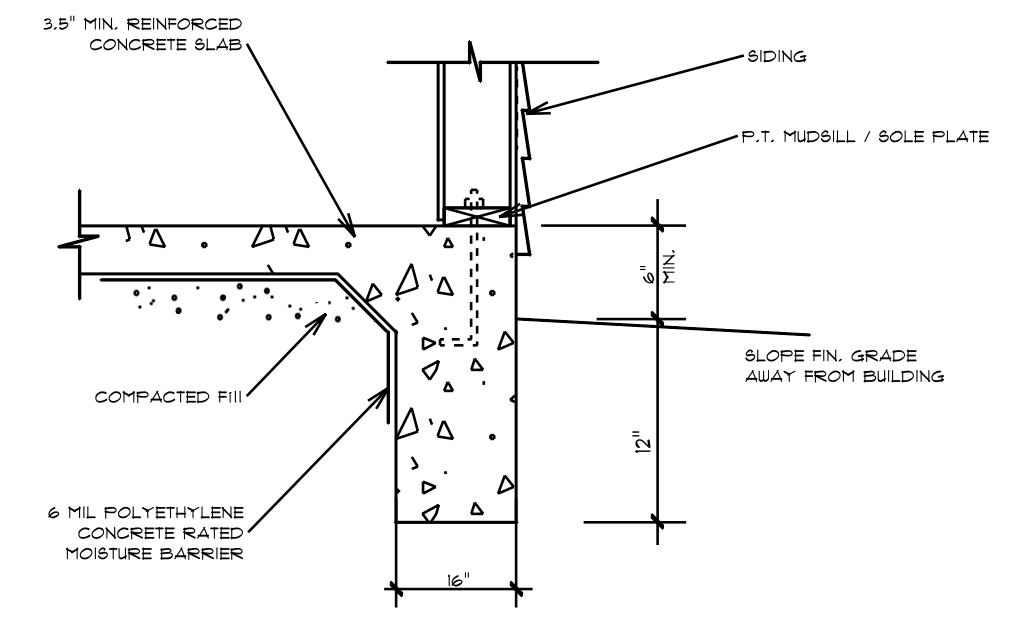
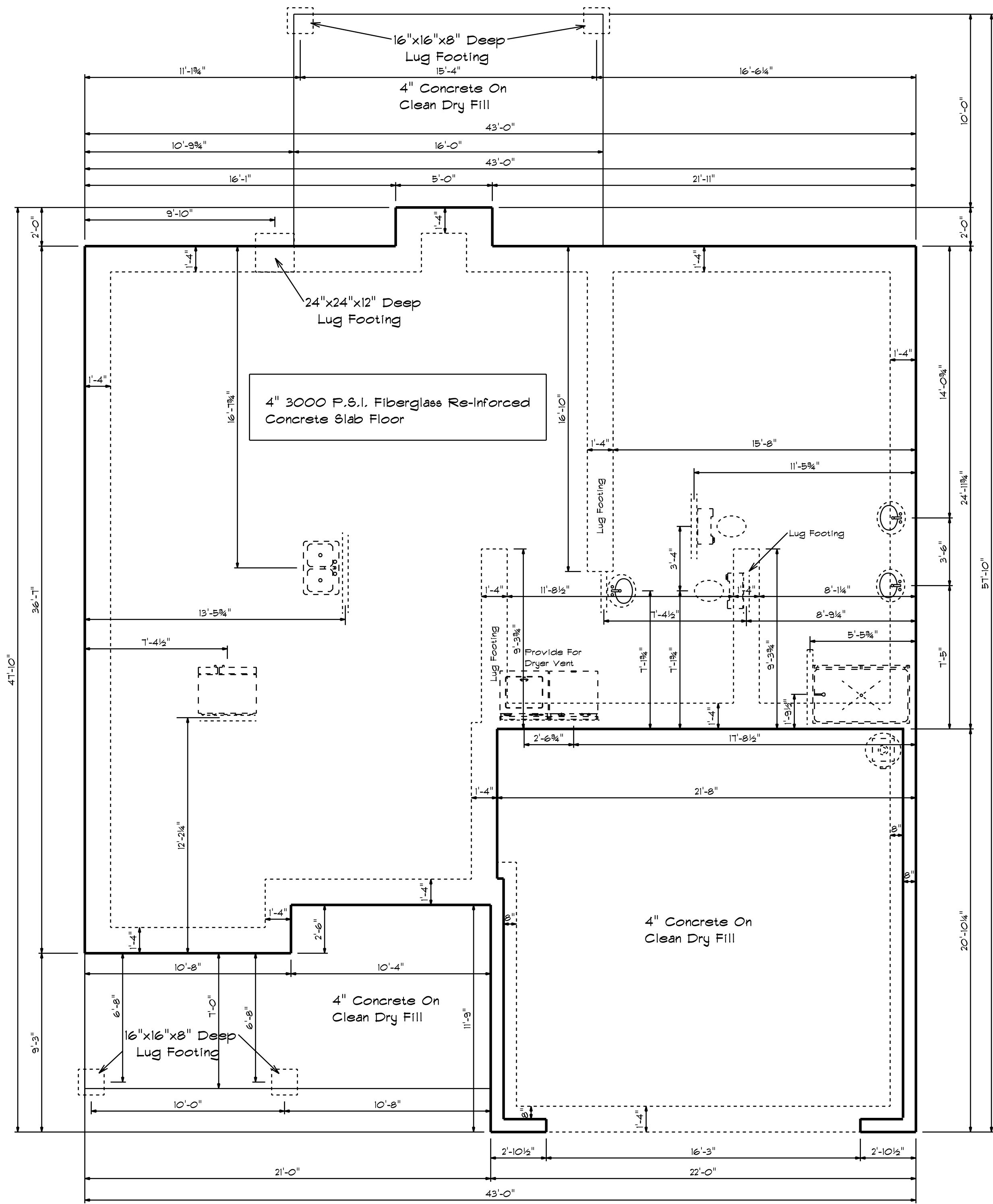
Second Floor Plan
 Scale: 1/4" = 1'-0"

DATE: Saturday, December 17, 2024
 REVISION 2
 DRAWING#

SCALE: 1/4"
 DRAWN BY
 APPROVED

Plan #7



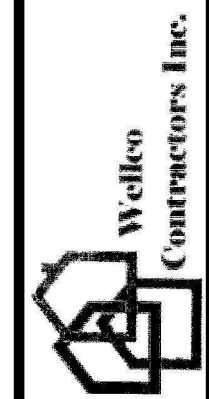


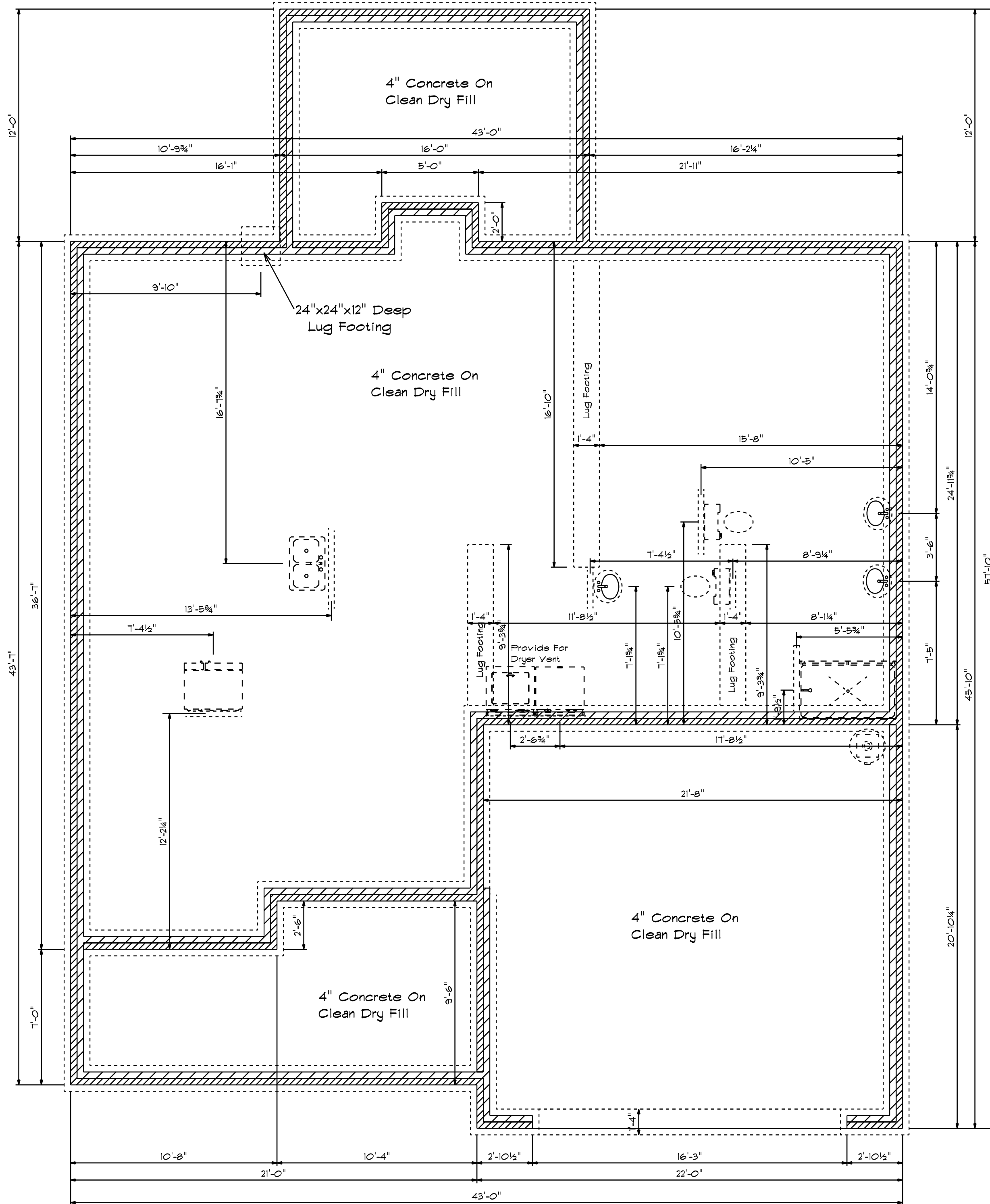
Foundation Plan
 Scale: 1/4" = 1'-0"

DATE: Saturday, December 17, 2022
 REVISED
 DRAWING#

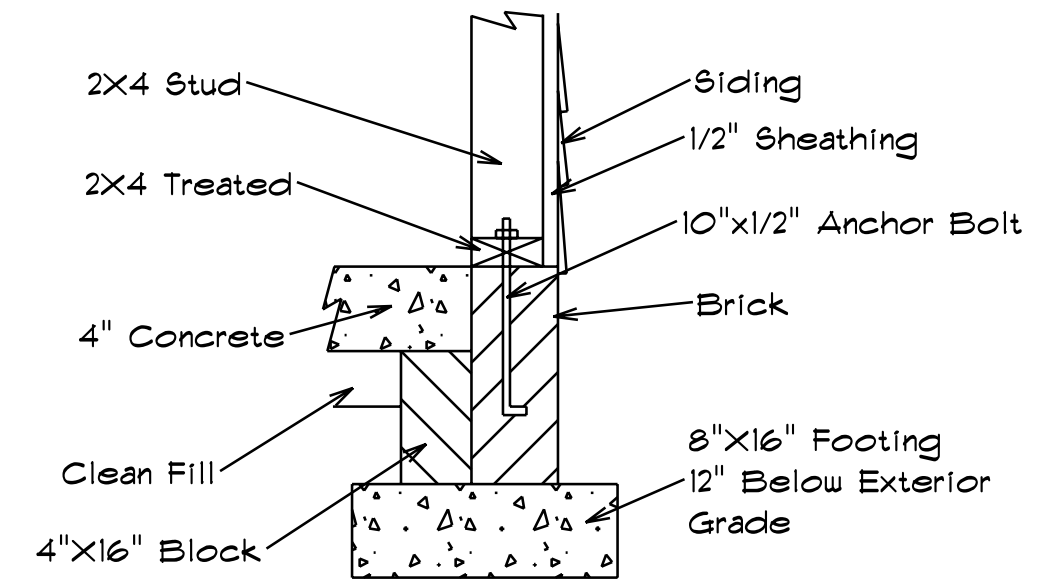
SCALE: 1/4"
 DRAWN BY
 APPROVED

Plan #7

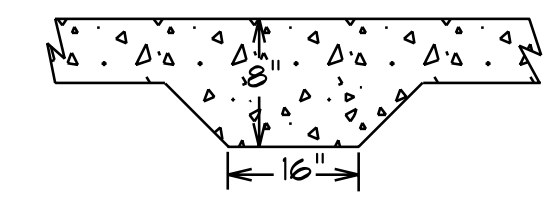




Foundation Detail Siding



Lug Footing Detail



Foundation Plan
Scale: 1/4" = 1'-0"

DATE: Saturday, December 17, 2022
REVISED
DRAWING*

SCALE: 1/4"
DRAWN BY
APPROVED

Plan #7

