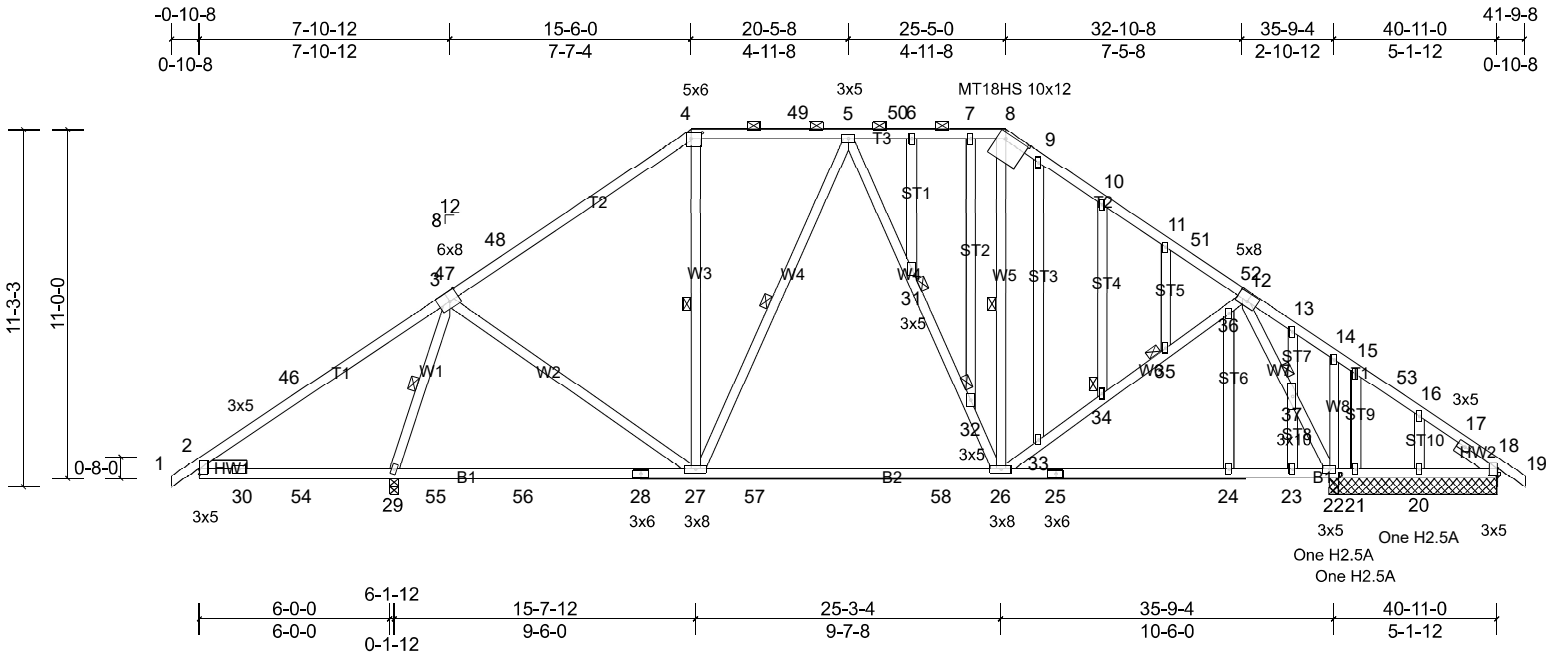


Job Trinity	Truss A2	Truss Type Piggyback Base Structural Gable	Qty 1	Ply 1	Job Reference (optional)
----------------	-------------	---	----------	----------	--------------------------



Scale = 1:72.7

Plate Offsets (X, Y): [2:0-1-14,0-0-2], [3:0-3-12,Edge], [4:0-4-4,0-2-4], [8:0-9-0,0-2-3], [12:0-4-0,0-3-4], [18:0-2-13,0-0-3]

Loading	(psf)	Spacing	2-0-0	CSI	DEFL	in (loc)	l/defl	L/d	PLATES	GRIP		
TCLL (roof)	20.0	Plate Grip DOL	1.15	TC	0.86	Vert(LL)	-0.28	26-27	>999	240	MT20	244/190
Snow (Pf)	20.0	Lumber DOL	1.15	BC	0.75	Vert(CT)	-0.40	26-27	>881	180	MT18HS	244/190
TCDL	10.0	Rep Stress Incr	YES	WB	0.63	Horz(CT)	0.03	18	n/a	n/a		
BCLL	0.0*	Code	IRC2018/TPI2014	Matrix-MSH								
BCDL	10.0											
										Weight: 322 lb	FT = 20%	

LUMBER
TOP CHORD 2x4 SP No.1 *Except* T3:2x4 SP No.2
BOT CHORD 2x4 SP No.2 *Except* B2:2x4 SP No.1
WEBS 2x4 SP No.2 *Except* W1,W2,W8,W7:2x4 SP No.3
OTHERS 2x4 SP No.3
SLIDER Left 2x4 SP No.3 -- 1-6-0, Right 2x4 SP No.3 -- 1-6-0

BRACING
TOP CHORD Structural wood sheathing directly applied or 2-4-4 oc purlins, except 2-0-0 oc purlins (5-5-9 max.): 4-8.
BOT CHORD Rigid ceiling directly applied or 6-0-0 oc bracing.
WEBS 1 Row at midpt 3-29, 4-27, 8-26, 5-27
JOINTS 1 Brace at Jt(s): 31, 32, 34, 35, 37

REACTIONS All bearings 5-3-8, except 29=0-3-8
(lb) - Max Horiz 29=-257 (LC 12)
Max Uplift All uplift 100 (lb) or less at joint(s) 18, 20, 22, 38 except 21=-157 (LC 52), 29=-201 (LC 14)
Max Grav All reactions 250 (lb) or less at joint(s) 18, 20, 21, 38 except 22=1517 (LC 6), 29=2051 (LC 45)

MiTek recommends that Stabilizers and required cross bracing be installed during truss erection, in accordance with Stabilizer Installation guide.

FORCES (lb) - Max. Comp./Max. Ten. - All forces 250 (lb) or less except when shown.
TOP CHORD 2-46=-294/592, 3-46=-255/586, 3-47=-1068/116, 47-48=-1060/121, 4-48=-931/167, 4-49=-777/200, 5-49=-777/200, 5-50=-868/239, 6-50=-868/239, 6-7=-868/239, 7-8=-868/239, 8-9=-948/209, 9-10=-1049/219, 10-11=-1049/179, 11-51=-1090/146, 51-52=-1158/131, 12-52=-1166/130
BOT CHORD 2-30=-291/519, 30-54=-369/311, 29-54=-369/311, 29-55=-199/337, 55-56=-199/337, 28-56=-199/337, 27-28=-199/337, 27-57=-83/910, 57-58=-83/910, 26-58=-83/910, 25-26=0/648, 24-25=0/648, 23-24=0/648, 22-23=0/648
WEBS 3-29=-1753/406, 4-27=-62/278, 3-27=-55/739, 5-27=-355/171, 26-32=-188/259, 26-33=-102/465, 33-34=-106/435, 34-35=-90/453, 35-36=-96/413, 12-36=-77/482, 14-22=-288/62, 12-37=-1495/63, 22-37=-1270/52, 13-37=-79/413

- NOTES**
- Unbalanced roof live loads have been considered for this design.
 - Wind: ASCE 7-16; Vult=130mph (3-second gust) Vasd=103mph; TCCL=6.0psf; BCDL=6.0psf; h=25ft; Cat. II; Exp B; Enclosed; MWFRS (envelope) exterior zone and C-C Exterior(2E) -0-10-8 to 3-2-10, Interior (1) 3-2-10 to 9-8-9, Exterior(2R) 9-8-9 to 31-2-7, Interior (1) 31-2-7 to 37-8-6, Exterior(2E) 37-8-6 to 41-9-8 zone; cantilever left and right exposed ; end vertical left and right exposed;C-C for members and forces & MWFRS for reactions shown; Lumber DOL=1.60 plate grip DOL=1.60
 - Truss designed for wind loads in the plane of the truss only. For studs exposed to wind (normal to the face), see Standard Industry Gable End Details as applicable, or consult qualified building designer as per ANSI/TPI 1.
 - TCLL: ASCE 7-16; Pr=20.0 psf (roof LL: Lum DOL=1.15 Plate DOL=1.15); Pf=20.0 psf (Lum DOL=1.15 Plate DOL=1.15); Is=1.0; Rough Cat B; Fully Exp.; Ce=0.9; Cs=1.00; Ct=1.10
 - Unbalanced snow loads have been considered for this design.
 - This truss has been designed for greater of min roof live load of 12.0 psf or 1.00 times flat roof load of 20.0 psf on overhangs non-concurrent with other live loads.
 - Provide adequate drainage to prevent water ponding.
 - All plates are MT20 plates unless otherwise indicated.
 - All plates are 2x4 MT20 unless otherwise indicated.
 - The Fabrication Tolerance at joint 8 = 0%
 - Gable studs spaced at 2-0-0 oc.
 - This truss has been designed for a 10.0 psf bottom chord live load nonconcurrent with any other live loads.

Job	Truss	Truss Type	Qty	Ply	
Trinity	A2	Piggyback Base Structural Gable	1	1	Job Reference (optional)

Carter Components, Sanford, NC, user

Run: 8.53 S Mar 28 2022 Print: 8.530 S Mar 28 2022 MiTek Industries, Inc. Thu May 19 09:11:26

Page: 2

ID:1eSI2xCMxEoXudgbyyUPZlZIEC5-TxUjVwQdv5?t4_EMf0A0FbbITPj6RWh8JBshlqzF?4?

- 13) * This truss has been designed for a live load of 20.0psf on the bottom chord in all areas where a rectangle 3-06-00 tall by 2-00-00 wide will fit between the bottom chord and any other members, with BCDL = 10.0psf.
- 14) One H2.5A Simpson Strong-Tie connectors recommended to connect truss to bearing walls due to UPLIFT at jt(s) 18, 29, 22, 21, and 20. This connection is for uplift only and does not consider lateral forces.
- 15) This truss is designed in accordance with the 2018 International Residential Code sections R502.11.1 and R802.10.2 and referenced standard ANSI/TPI 1.
- 16) Graphical purlin representation does not depict the size or the orientation of the purlin along the top and/or bottom chord.

LOAD CASE(S) Standard

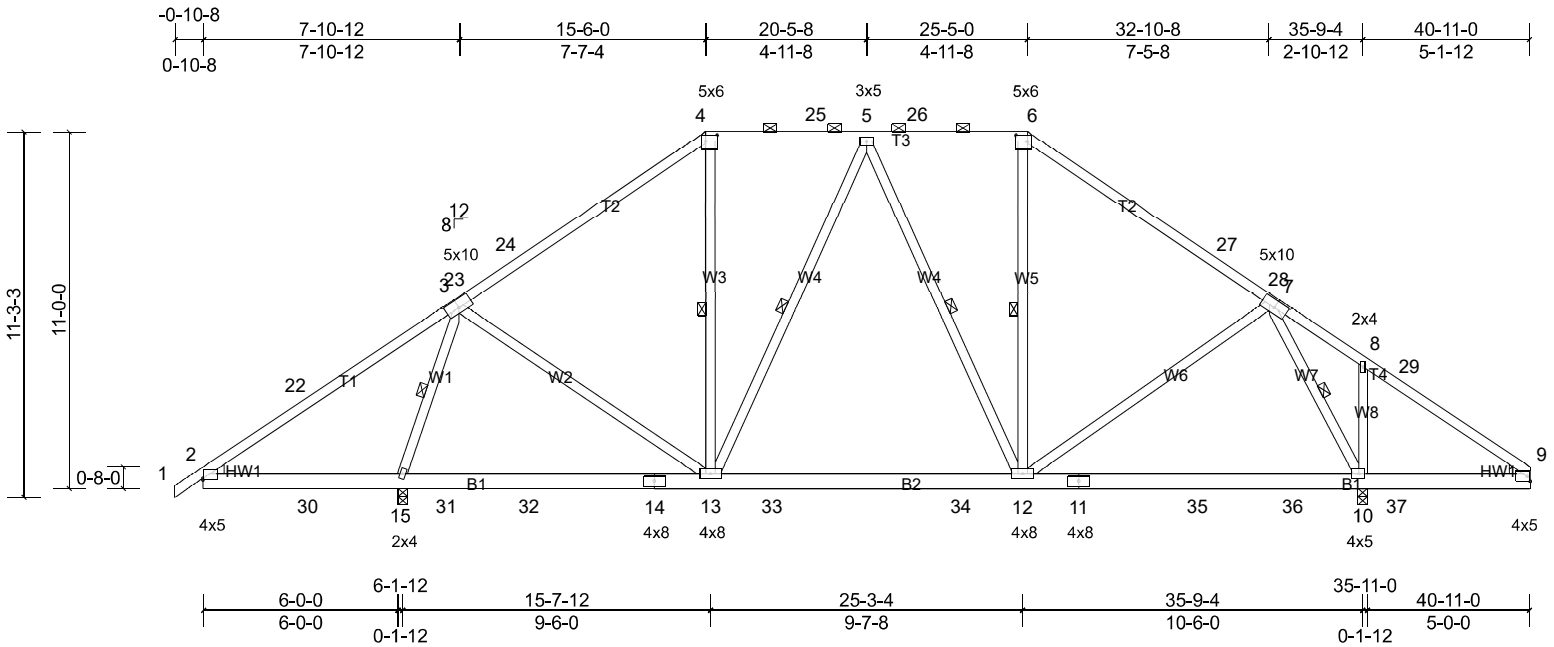
Job Trinity	Truss A3	Truss Type Piggyback Base	Qty 5	Ply 1	Job Reference (optional)
----------------	-------------	------------------------------	----------	----------	--------------------------

Carter Components, Sanford, NC, user

Run: 8.53 S Mar 28 2022 Print: 8.530 S Mar 28 2022 MiTek Industries, Inc. Thu May 19 09:11:27

Page: 1

ID:oAxKjglIN2hoPrrH7QdeHu_zIEBz-x726jGRFgO7ki8pYDjhF0o8w3pjFA02IYrcEqGzF?4_



Scale = 1:71.1

Plate Offsets (X, Y): [2:Edge,0-0-10], [3:0-5-0,0-3-4], [4:0-4-4,0-2-4], [6:0-4-4,0-2-4], [7:0-5-0,0-3-0]

Loading	(psf)	Spacing	2-0-0	CSI	DEFL	in	(loc)	l/defl	L/d	PLATES	GRIP	
TCLL (roof)	20.0	Plate Grip DOL	1.15	TC	0.87	Vert(LL)	-0.08	12-13	>999	240	MT20	244/190
Snow (Pf)	20.0	Lumber DOL	1.15	BC	0.50	Vert(CT)	-0.13	10-12	>999	180		
TCDL	10.0	Rep Stress Incr	YES	WB	0.43	Horz(CT)	0.01	10	n/a	n/a		
BCLL	0.0*	Code	IRC2018/TPI2014	Matrix-MSH								
BCDL	10.0											
											Weight: 282 lb	FT = 20%

LUMBER
TOP CHORD 2x4 SP No.1 *Except* T3:2x4 SP No.2
BOT CHORD 2x6 SP No.2
WEBS 2x4 SP No.3 *Except* W3,W5,W4:2x4 SP No.2
WEDGE Left: 2x4 SP No.3
Right: 2x4 SP No.3

BRACING
TOP CHORD Structural wood sheathing directly applied or 2-2-0 oc purlins, except
2-0-0 oc purlins (6-0-0 max.): 4-6.
BOT CHORD Rigid ceiling directly applied or 6-0-0 oc bracing.
WEBS 1 Row at midpt 3-15, 4-13, 6-12, 5-13, 5-12, 7-10

REACTIONS (lb/size) 10=1574/0-3-8, (min. 0-2-3), 15=1751/0-3-8, (min. 0-2-6)
Max Horiz 15=252 (LC 11)
Max Uplift 10=-175 (LC 15), 15=-203 (LC 14)
Max Grav 10=1835 (LC 45), 15=2011 (LC 45)

MiTek recommends that Stabilizers and required cross bracing be installed during truss erection, in accordance with Stabilizer Installation guide.

FORCES (lb) - Max. Comp./Max. Ten. - All forces 250 (lb) or less except when shown.
TOP CHORD 2-22=-295/548, 3-22=-250/575, 3-23=-1036/117, 23-24=-1028/122, 4-24=-917/168, 4-25=-765/202, 5-25=-765/202, 5-26=-823/218, 6-26=-823/218, 6-27=-987/184, 27-28=-1107/137, 7-28=-1115/132, 7-8=-162/391, 8-29=-197/335, 9-29=-219/262
BOT CHORD 2-30=-366/313, 15-30=-366/313, 15-31=-206/335, 31-32=-206/335, 14-32=-206/335, 13-14=-206/335, 13-33=-96/896, 33-34=-96/896, 12-34=-96/896, 11-12=0/468, 11-35=0/468, 35-36=0/468, 10-36=0/468
WEBS 3-15=-1696/368, 4-13=-70/272, 3-13=-45/714, 6-12=-24/295, 5-13=-342/167, 7-12=-58/529, 7-10=-1522/269

- NOTES**
- Unbalanced roof live loads have been considered for this design.
 - Wind: ASCE 7-16; Vult=130mph (3-second gust) Vasd=103mph; TCDL=6.0psf; BCDL=6.0psf; h=25ft; Cat. II; Exp B; Enclosed; MWFRS (envelope) exterior zone and C-C Exterior(2E) -0-10-8 to 3-2-10, Interior (1) 3-2-10 to 9-8-9, Exterior(2R) 9-8-9 to 31-2-7, Interior (1) 31-2-7 to 36-9-14, Exterior(2E) 36-9-14 to 40-11-0 zone; cantilever left and right exposed; end vertical left and right exposed; C-C for members and forces & MWFRS for reactions shown; Lumber DOL=1.60 plate grip DOL=1.60
 - TCLL: ASCE 7-16; Pr=20.0 psf (roof LL: Lum DOL=1.15 Plate DOL=1.15); Pf=20.0 psf (Lum DOL=1.15 Plate DOL=1.15); Is=1.0; Rough Cat B; Fully Exp.; Ce=0.9; Cs=1.00; Ct=1.10
 - Unbalanced snow loads have been considered for this design.
 - This truss has been designed for greater of min roof live load of 12.0 psf or 1.00 times flat roof load of 20.0 psf on overhangs non-concurrent with other live loads.
 - Provide adequate drainage to prevent water ponding.
 - This truss has been designed for a 10.0 psf bottom chord live load nonconcurrent with any other live loads.
 - * This truss has been designed for a live load of 20.0psf on the bottom chord in all areas where a rectangle 3-06-00 tall by 2-00-00 wide will fit between the bottom chord and any other members, with BCDL = 10.0psf.
 - One H2.5A Simpson Strong-Tie connectors recommended to connect truss to bearing walls due to UPLIFT at jt(s) 15 and 10. This connection is for uplift only and does not consider lateral forces.
 - This truss is designed in accordance with the 2018 International Residential Code sections R502.11.1 and R802.10.2 and referenced standard ANSI/TPI 1.
 - Graphical purlin representation does not depict the size or the orientation of the purlin along the top and/or bottom chord.

LOAD CASE(S) Standard

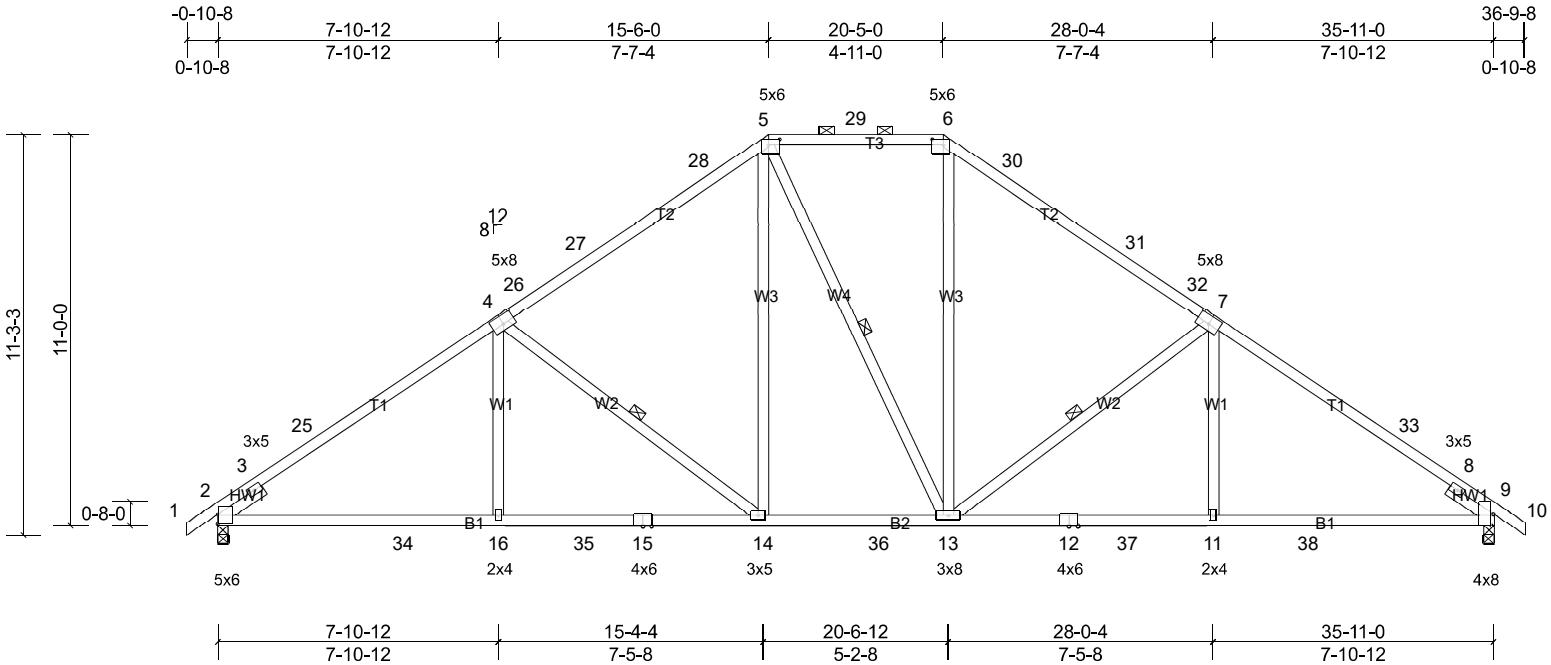
Job Trinity	Truss B1	Truss Type Piggyback Base	Qty 6	Ply 1	Job Reference (optional)
----------------	-------------	------------------------------	----------	----------	--------------------------

Carter Components, Sanford, NC, user

Run: 8.53 S Mar 28 2022 Print: 8.530 S Mar 28 2022 MiTek Industries, Inc. Thu May 19 09:11:27

Page: 1

ID:1eSI2xCmxEoXudgbyyUPZlzlEC5-x726jGRFgO7ki8pYDjhF0o8xiPeZA1_IYrcEqGzF?4_



Scale = 1:64.9

Plate Offsets (X, Y): [4:0-4-0,0-3-0], [5:0-3-12,0-2-0], [6:0-3-12,0-2-0], [7:0-4-0,0-3-0], [9:0-3-13,Edge]

Loading	(psf)	Spacing	2-0-0	CSI	0.83	DEFL	in (loc)	l/defl	L/d	PLATES	GRIP
TCLL (roof)	20.0	Plate Grip DOL	1.15	TC	0.83	Vert(LL)	-0.19 14-16	>999	240	MT20	244/190
Snow (Pf)	20.0	Lumber DOL	1.15	BC	0.80	Vert(CT)	-0.32 14-16	>999	180		
TCDL	10.0	Rep Stress Incr	YES	WB	0.37	Horz(CT)	0.11 9	n/a	n/a		
BCLL	0.0*	Code	IRC2018/TPI2014	Matrix-MSH							
BCDL	10.0										
										Weight: 215 lb	FT = 20%

LUMBER	TOP CHORD	2x4 SP No.2 *Except* T2:2x4 SP 2400F 2.0E	BRACING	TOP CHORD	Structural wood sheathing directly applied or 2-2-0 oc purlins, except
	BOT CHORD	2x4 SP No.1 *Except* B2:2x4 SP No.2		BOT CHORD	2-0-0 oc purlins (4-5-5 max.): 5-6.
	WEBS	2x4 SP No.3 *Except* W3,W4:2x4 SP No.2		WEBS	Rigid ceiling directly applied or 10-0-0 oc bracing.
	SLIDER	Left 2x4 SP No.3 -- 1-6-0, Right 2x4 SP No.3 -- 1-6-0			1 Row at midpt 4-14, 5-13, 7-13
	REACTIONS	(lb/size) 2=1489/0-3-8, (min. 0-2-3), 9=1489/0-3-8, (min. 0-2-2) Max Horiz 2=-257 (LC 12) Max Uplift 2=-148 (LC 14), 9=-148 (LC 15) Max Grav 2=1830 (LC 47), 9=1827 (LC 49)			

MiTek recommends that Stabilizers and required cross bracing be installed during truss erection, in accordance with Stabilizer Installation guide.

FORCES	(lb) - Max. Comp./Max. Ten. - All forces 250 (lb) or less except when shown.
TOP CHORD	2-3=-1442/0, 3-25=-2579/174, 4-25=-2407/209, 4-26=-1983/178, 26-27=-1953/195, 27-28=-1815/207, 5-28=-1738/229, 5-29=-1495/248, 6-29=-1495/248, 6-30=-1733/229, 30-31=-1811/207, 31-32=-1949/195, 7-32=-1979/178, 7-33=-2403/209, 8-33=-2574/174, 8-9=-1145/0
BOT CHORD	2-34=-319/2226, 16-34=-213/2226, 16-35=-214/2222, 15-35=-214/2222, 14-15=-214/2222, 14-36=-21/1553, 13-36=-21/1553, 12-13=-41/2064, 12-37=-41/2064, 11-37=-41/2064, 11-38=-40/2068, 9-38=-40/2068
WEBS	4-16=0/387, 4-14=-829/242, 5-14=-68/758, 6-13=-53/720, 7-13=-829/242, 7-11=0/387

- NOTES**
- Unbalanced roof live loads have been considered for this design.
 - Wind: ASCE 7-16; Vult=130mph (3-second gust) Vasd=103mph; TCDL=6.0psf; BCDL=6.0psf; h=25ft; Cat. II; Exp B; Enclosed; MWFRS (envelope) exterior zone and C-C Exterior(2E) -0-10-8 to 2-8-10, Interior (1) 2-8-10 to 10-5-1, Exterior(2R) 10-5-1 to 25-5-15, Interior (1) 25-5-15 to 33-2-6, Exterior(2E) 33-2-6 to 36-9-8 zone; cantilever left and right exposed; end vertical left and right exposed; C-C for members and forces & MWFRS for reactions shown; Lumber DOL=1.60 plate grip DOL=1.60
 - TCLL: ASCE 7-16; Pr=20.0 psf (roof LL: Lum DOL=1.15 Plate DOL=1.15); Pf=20.0 psf (Lum DOL=1.15 Plate DOL=1.15); Is=1.0; Rough Cat B; Fully Exp.; Ce=0.9; Cs=1.00; Ct=1.10
 - Unbalanced snow loads have been considered for this design.
 - This truss has been designed for greater of min roof live load of 12.0 psf or 1.00 times flat roof load of 20.0 psf on overhangs non-concurrent with other live loads.
 - Provide adequate drainage to prevent water ponding.
 - This truss has been designed for a 10.0 psf bottom chord live load nonconcurrent with any other live loads.
 - * This truss has been designed for a live load of 20.0psf on the bottom chord in all areas where a rectangle 3-06-00 tall by 2-00-00 wide will fit between the bottom chord and any other members, with BCDL = 10.0psf.
 - One H2.5A Simpson Strong-Tie connectors recommended to connect truss to bearing walls due to UPLIFT at jt(s) 2 and 9. This connection is for uplift only and does not consider lateral forces.
 - This truss is designed in accordance with the 2018 International Residential Code sections R502.11.1 and R802.10.2 and referenced standard ANSI/TPI 1.
 - Graphical purlin representation does not depict the size or the orientation of the purlin along the top and/or bottom chord.

LOAD CASE(S) Standard

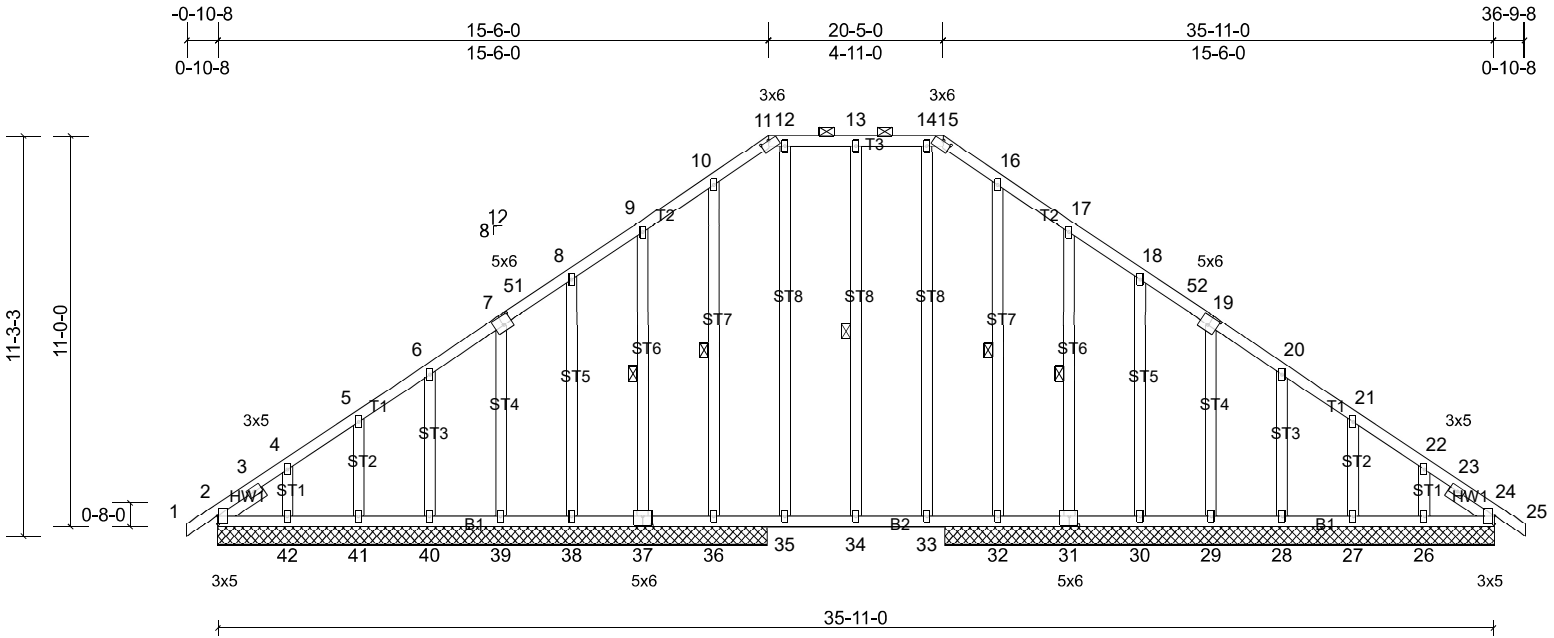
Job Trinity	Truss B2	Truss Type Piggyback Base Supported Gable	Qty 1	Ply 1	Job Reference (optional)
----------------	-------------	--	----------	----------	--------------------------

Carter Components, Sanford, NC, user

Run: 8.53 S Mar 28 2022 Print: 8.530 S Mar 28 2022 MiTek Industries, Inc. Thu May 19 09:11:28

Page: 1

ID: c3nAQwATeJQy19y0GqxifzIEC8-x726jGRFgO7ki8pYDjhF0o83zpkLA4yIYrcEqGzF?4_



Scale = 1:64.9

Plate Offsets (X, Y): [2:0-2-13,0-0-3], [7:0-3-0,0-3-0], [11:0-3-0,0-0-2], [15:0-3-0,0-0-2], [19:0-3-0,0-3-0], [24:0-2-13,0-0-3], [31:0-3-0,0-3-0], [37:0-3-0,0-3-0]

Loading	(psf)	Spacing	2-0-0	CSI	DEFL	in	(loc)	l/defl	L/d	PLATES	GRIP	
TCLL (roof)	20.0	Plate Grip DOL	1.15	TC	0.30	Vert(LL)	-0.07	34	>999	240	MT20	244/190
Snow (Pf)	20.0	Lumber DOL	1.15	BC	0.43	Vert(CT)	-0.11	34	>842	180		
TCDL	10.0	Rep Stress Incr	YES	WB	0.18	Horz(CT)	0.02	24	n/a	n/a		
BCLL	0.0*	Code	IRC2018/TPI2014	Matrix-MSH								
BCDL	10.0											
											Weight: 284 lb	FT = 20%

LUMBER	BRACING
TOP CHORD 2x4 SP No.2	TOP CHORD Structural wood sheathing directly applied or 6-0-0 oc purlins, except
BOT CHORD 2x4 SP No.2	2-0-0 oc purlins (6-0-0 max.): 11-15.
OTHERS 2x4 SP No.3 *Except* ST8:2x4 SP No.2	BOT CHORD Rigid ceiling directly applied or 10-0-0 oc bracing.
SLIDER Left 2x4 SP No.3 -- 1-6-0, Right 2x4 SP No.3 -- 1-6-0	WEBS 1 Row at midpt 13-34, 10-36, 9-37, 16-32, 17-31

REACTIONS All bearings 15-5-8.
 (lb) - Max Horiz 2=-257 (LC 12), 47=-257 (LC 12)
 Max Uplift All uplift 100 (lb) or less at joint(s) 2, 24, 27, 28, 29, 30, 36, 37, 38, 39, 40, 41, 43, 47 except 26=-130 (LC 15), 31=-113 (LC 15), 42=-137 (LC 14)
 Max Grav All reactions 250 (lb) or less at joint(s) 26, 27, 28, 29, 30, 31, 37, 38, 39, 40, 41, 42 except 2=445 (LC 21), 24=445 (LC 22), 32=391 (LC 22), 36=391 (LC 21), 43=445 (LC 22), 47=445 (LC 21)

FORCES (lb) - Max. Comp./Max. Ten. - All forces 250 (lb) or less except when shown.
 TOP CHORD 2-3=-280/56, 3-4=-543/141, 4-5=-489/126, 5-6=-467/124, 6-7=-466/119, 7-8=-465/103, 8-9=-471/110, 9-10=-442/127, 10-11=-490/152, 11-12=-360/153, 12-13=-360/153, 13-14=-360/153, 14-15=-360/153, 15-16=-490/152, 16-17=-442/127, 17-18=-471/66, 18-19=-418/70, 19-20=-465/58, 20-21=-467/74, 21-22=-465/81, 22-23=-517/93
 BOT CHORD 2-42=-63/431, 41-42=-63/431, 40-41=-63/431, 39-40=-63/431, 38-39=-63/431, 37-38=-63/431, 36-37=-63/431, 35-36=-63/431, 34-35=-63/431, 33-34=-63/431, 32-33=-63/431, 31-32=-63/431, 30-31=-63/431, 29-30=-63/431, 28-29=-63/431, 27-28=-63/431, 26-27=-63/431, 24-26=-63/431

- NOTES**
- Unbalanced roof live loads have been considered for this design.
 - Wind: ASCE 7-16; Vult=130mph (3-second gust) Vasd=103mph; TCCL=6.0psf; BCDL=6.0psf; h=25ft; Cat. II; Exp B; Enclosed; MWFRS (envelope) exterior zone and C-C Corner(3E) -0-10-8 to 2-8-10, Exterior(2N) 2-8-10 to 11-10-14, Corner(3R) 11-10-14 to 23-11-8, Exterior(2N) 23-11-8 to 33-2-6, Corner(3E) 33-2-6 to 36-9-8 zone; cantilever left and right exposed ; end vertical left and right exposed; C-C for members and forces & MWFRS for reactions shown; Lumber DOL=1.60 plate grip DOL=1.60
 - Truss designed for wind loads in the plane of the truss only. For studs exposed to wind (normal to the face), see Standard Industry Gable End Details as applicable, or consult qualified building designer as per ANSI/TPI 1.
 - TCLL: ASCE 7-16; Pr=20.0 psf (roof LL: Lum DOL=1.15 Plate DOL=1.15); Pf=20.0 psf (Lum DOL=1.15 Plate DOL=1.15); Is=1.0; Rough Cat B; Fully Exp.; Ce=0.9; Cs=1.00; Ct=1.10
 - Unbalanced snow loads have been considered for this design.
 - This truss has been designed for greater of min roof live load of 12.0 psf or 1.00 times flat roof load of 20.0 psf on overhangs non-concurrent with other live loads.
 - Provide adequate drainage to prevent water ponding.
 - All plates are 2x4 MT20 unless otherwise indicated.
 - Gable studs spaced at 2-0-0 oc.
 - This truss has been designed for a 10.0 psf bottom chord live load nonconcurrent with any other live loads.

Job	Truss	Truss Type	Qty	Ply	
Trinity	B2	Piggyback Base Supported Gable	1	1	Job Reference (optional)

Carter Components, Sanford, NC, user

Run: 8.53 S Mar 28 2022 Print: 8.530 S Mar 28 2022 MiTek Industries, Inc. Thu May 19 09:11:28

Page: 2

ID:c3nAQwATEJQy19y0GqxifzIEC8-x726jGRFgO7ki8pYDjhF0o83zpkLA4yIYrcEqGzF?4_

- 11) * This truss has been designed for a live load of 20.0psf on the bottom chord in all areas where a rectangle 3-06-00 tall by 2-00-00 wide will fit between the bottom chord and any other members.
- 12) One H2.5A Simpson Strong-Tie connectors recommended to connect truss to bearing walls due to UPLIFT at jt(s) 24, 36, 37, 38, 39, 40, 41, 42, 31, 30, 29, 28, 27, 26, and 2.
- 13) This truss is designed in accordance with the 2018 International Residential Code sections R502.11.1 and R802.10.2 and referenced standard ANSI/TPI 1.
- 14) Graphical purlin representation does not depict the size or the orientation of the purlin along the top and/or bottom chord.

LOAD CASE(S) Standard

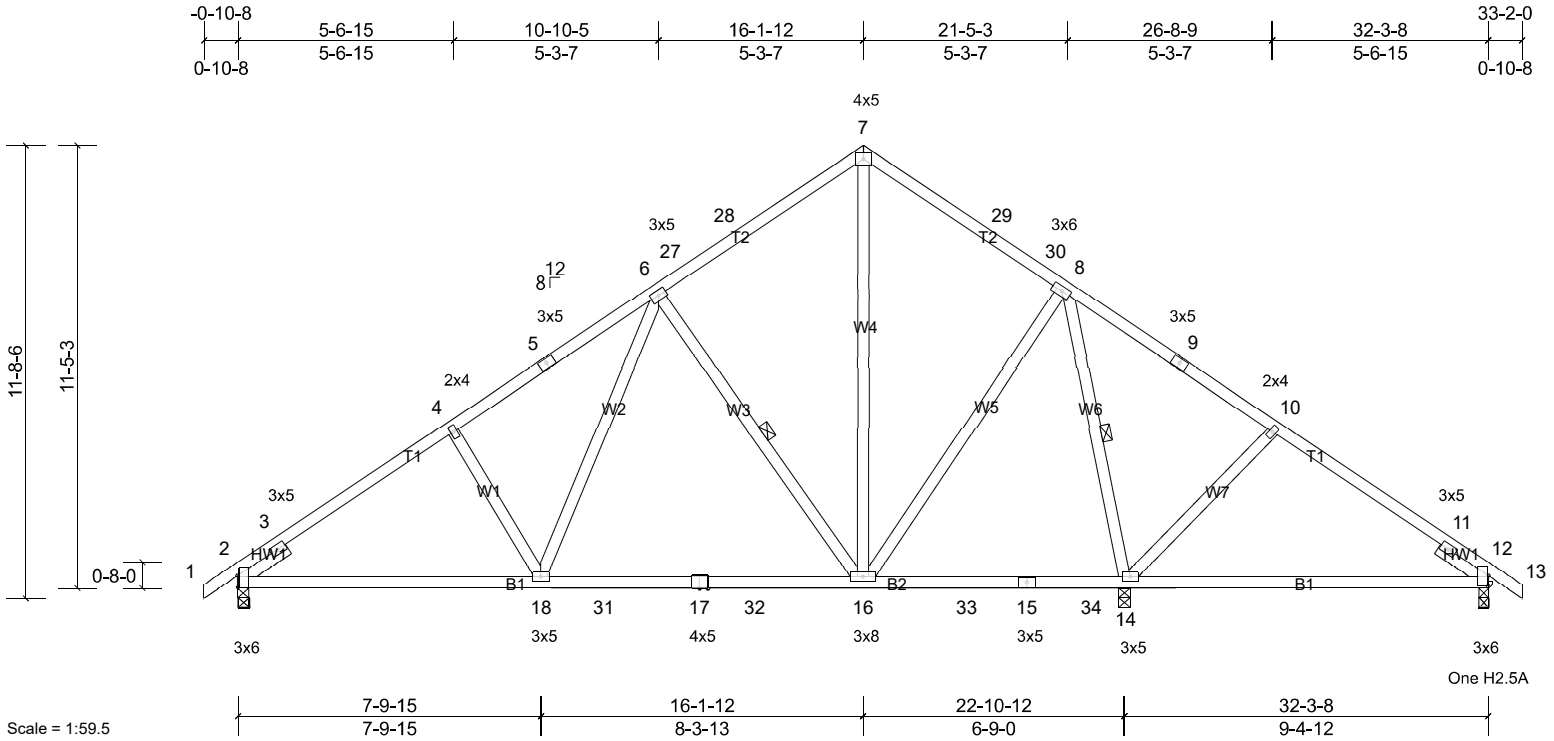
Job Trinity	Truss C1	Truss Type Common	Qty 1	Ply 1	Job Reference (optional)
----------------	-------------	----------------------	----------	----------	--------------------------

Carter Components, Sanford, NC, user

Run: 8.53 S Mar 28 2022 Print: 8.530 S Mar 28 2022 MiTek Industries, Inc. Thu May 19 09:11:28

Page: 1

ID: Cy43fdoP2v4oqObA3thf9YzIEGX-PKcUwcStQifbKHnlnQCUK0hA7D?uvSxRnVlnMizF?3z



Scale = 1:59.5

Loading	(psf)	Spacing	2-0-0	CSI	DEFL	in (loc)	l/defl	L/d	PLATES	GRIP		
TCLL (roof)	20.0	Plate Grip DOL	1.15	TC	0.53	Vert(LL)	0.29	14-25	>385	240	MT20	244/190
Snow (Pf)	20.0	Lumber DOL	1.15	BC	0.73	Vert(CT)	-0.30	14-25	>373	180		
TCDL	10.0	Rep Stress Incr	YES	WB	0.39	Horz(CT)	0.03	14	n/a	n/a		
BCLL	0.0*	Code	IRC2018/TPI2014	Matrix-MSH								
BCDL	10.0											
										Weight: 194 lb	FT = 20%	

LUMBER	TOP CHORD	2x4 SP No.2	BOT CHORD	2x4 SP No.2	WEBS	2x4 SP No.3 *Except* W4:2x4 SP No.2	SLIDER	Left 2x4 SP No.3 -- 1-6-0, Right 2x4 SP No.3 -- 1-6-0	REACTIONS (lb/size)	2=966/0-3-8, (min. 0-1-8), 12=420/0-3-0, (min. 0-1-8), 14=1302/0-3-8, (min. 0-1-12)	Max Horiz	2=266 (LC 13)	Max Uplift	2=-93 (LC 14), 12=-117 (LC 10), 14=-121 (LC 14)	Max Grav	2=1090 (LC 24), 12=481 (LC 37), 14=1463 (LC 24)
BRACING	TOP CHORD	Structural wood sheathing directly applied or 4-8-10 oc purlins.														
	BOT CHORD	Rigid ceiling directly applied or 10-0-0 oc bracing.														
	WEBS	1 Row at midpt 6-16, 8-14														

MiTek recommends that Stabilizers and required cross bracing be installed during truss erection, in accordance with Stabilizer Installation guide.

FORCES	(lb) - Max. Comp./Max. Ten. - All forces 250 (lb) or less except when shown.
TOP CHORD	2-3=-802/0, 3-4=-1404/215, 4-5=-1292/239, 5-6=-1178/259, 6-27=-701/246, 27-28=-620/256, 7-28=-581/277, 7-29=-581/276, 29-30=-588/254, 8-30=-665/244, 8-9=-109/338, 9-10=-186/306, 10-11=-338/337, 11-12=-710/728
BOT CHORD	2-18=-229/1271, 18-31=-63/914, 17-31=-63/914, 17-32=-63/914, 16-32=-63/914, 16-33=-50/274, 15-33=-50/274, 15-34=-50/274, 14-34=-50/274, 12-14=-208/281
WEBS	4-18=-267/182, 6-18=-69/600, 6-16=-650/234, 7-16=-180/393, 8-16=-33/592, 8-14=-1076/164, 10-14=-332/189

- NOTES**
- Unbalanced roof live loads have been considered for this design.
 - Wind: ASCE 7-16; Vult=130mph (3-second gust) Vasd=103mph; TCDL=6.0psf; BCDL=6.0psf; h=25ft; Cat. II; Exp B; Enclosed; MWFRS (envelope) exterior zone and C-C Exterior(2E) -0-10-8 to 2-4-4, Interior (1) 2-4-4 to 12-11-0, Exterior(2R) 12-11-0 to 19-4-8, Interior (1) 19-4-8 to 29-11-4, Exterior(2E) 29-11-4 to 33-2-0 zone; cantilever left and right exposed; end vertical left and right exposed; porch right exposed; C-C for members and forces & MWFRS for reactions shown; Lumber DOL=1.60 plate grip DOL=1.60
 - TCLL: ASCE 7-16; Pr=20.0 psf (roof LL: Lum DOL=1.15 Plate DOL=1.15); Pf=20.0 psf (Lum DOL=1.15 Plate DOL=1.15); Is=1.0; Rough Cat B; Fully Exp.; Ce=0.9; Cs=1.00; Ct=1.10
 - Unbalanced snow loads have been considered for this design.
 - This truss has been designed for greater of min roof live load of 12.0 psf or 1.00 times flat roof load of 20.0 psf on overhangs non-concurrent with other live loads.
 - All plates are 3x5 MT20 unless otherwise indicated.
 - This truss has been designed for a 10.0 psf bottom chord live load nonconcurrent with any other live loads.
 - * This truss has been designed for a live load of 20.0psf on the bottom chord in all areas where a rectangle 3-06-00 tall by 2-00-00 wide will fit between the bottom chord and any other members, with BCDL = 10.0psf.
 - One H2.5A Simpson Strong-Tie connectors recommended to connect truss to bearing walls due to UPLIFT at jt(s) 2, 14, and 12. This connection is for uplift only and does not consider lateral forces.
 - This truss is designed in accordance with the 2018 International Residential Code sections R502.11.1 and R802.10.2 and referenced standard ANSI/TPI 1.

LOAD CASE(S) Standard

Job Trinity	Truss C2	Truss Type Common Structural Gable	Qty 1	Ply 1	Job Reference (optional)
----------------	-------------	---------------------------------------	----------	----------	--------------------------

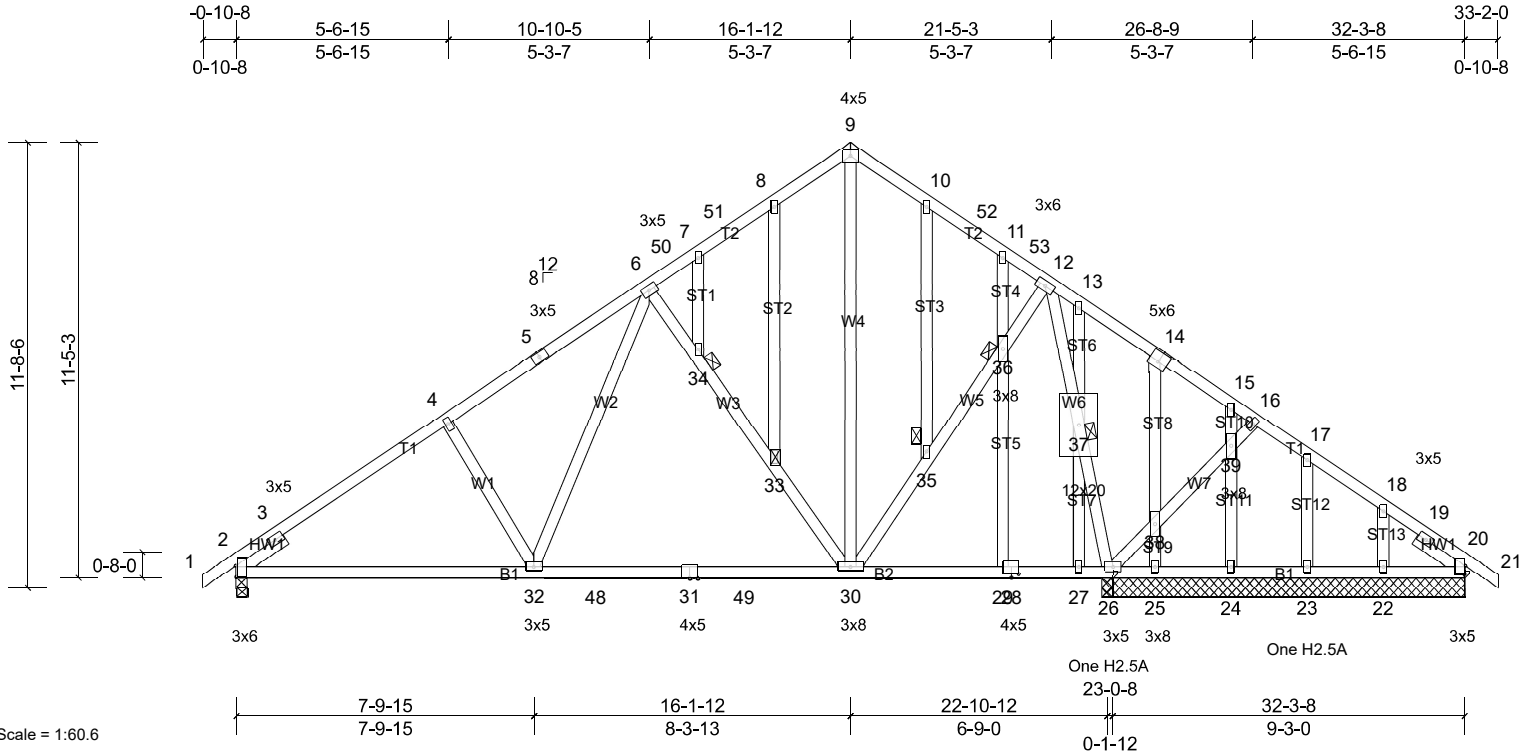


Plate Offsets (X, Y): [2:0-3-9,0,0-3], [14:0-3-0,0-3-0], [20:0-2-13,0,0-3], [28:0-2-4,0,1-4]

Loading	(psf)	Spacing	2-0-0	CSI	DEFL	in (loc)	l/defl	L/d	PLATES	GRIP		
TCLL (roof)	20.0	Plate Grip DOL	1.15	TC	0.45	Vert(LL)	-0.18	30-32	>999	240	MT20	244/190
Snow (Pf)	20.0	Lumber DOL	1.15	BC	0.72	Vert(CT)	-0.29	30-32	>959	180		
TCDL	10.0	Rep Stress Incr	YES	WB	0.51	Horz(CT)	0.02	26	n/a	n/a		
BCLL	0.0*	Code	IRC2018/TPI2014	Matrix-MSH								
BCDL	10.0											
										Weight: 261 lb	FT = 20%	

LUMBER
TOP CHORD 2x4 SP No.2
BOT CHORD 2x4 SP No.2
WEBS 2x4 SP No.3 *Except* W4:2x4 SP No.2
OTHERS 2x4 SP No.3
SLIDER Left 2x4 SP No.3 -- 1-6-0, Right 2x4 SP No.3 -- 1-6-0

BRACING
TOP CHORD Structural wood sheathing directly applied or 4-11-7 oc purlins.
BOT CHORD Rigid ceiling directly applied or 6-0-0 oc bracing.
JOINTS 1 Brace at Jt(s): 33, 34, 35, 36, 37

REACTIONS All bearings 9-6-8, except 2=0-3-8
(lb) - Max Horiz 2=-266 (LC 12)
Max Uplift All uplift 100 (lb) or less at joint(s) 2, 20, 22, 23, 25, 40 except 26=-110 (LC 14)
Max Grav All reactions 250 (lb) or less at joint(s) 20, 23, 24, 25, 40 except 2=1051 (LC 24), 22=258 (LC 25), 26=1424 (LC 24)

MiTek recommends that Stabilizers and required cross bracing be installed during truss erection, in accordance with Stabilizer Installation guide.

FORCES (lb) - Max. Comp./Max. Ten. - All forces 250 (lb) or less except when shown.
TOP CHORD 2-3=-767/0, 3-4=-1311/129, 4-5=-1199/144, 5-6=-1066/176, 6-50=-610/153, 7-50=-569/160, 7-51=-534/158, 8-51=-499/165, 8-9=-481/190, 9-10=-478/192, 10-52=-497/168, 11-52=-521/161, 11-53=-530/135, 12-53=-561/128, 12-13=0/271, 13-14=0/257
BOT CHORD 2-32=-231/1218, 32-48=-68/858, 31-48=-68/858, 31-49=-68/858, 30-49=-68/858
WEBS 9-30=-104/295, 6-34=-669/237, 33-34=-629/219, 30-33=-653/240, 4-32=-270/183, 12-37=-1150/81, 26-37=-1164/81, 6-32=-69/604, 30-35=-27/686, 35-36=-28/697, 12-36=-29/691

- NOTES**
- Unbalanced roof live loads have been considered for this design.
 - Wind: ASCE 7-16; Vult=130mph (3-second gust) Vasd=103mph; TCDL=6.0psf; BCDL=6.0psf; h=25ft; Cat. II; Exp B; Enclosed; MWFRS (envelope) exterior zone and C-C Exterior(2E) -0-10-8 to 2-4-4, Interior (1) 2-4-4 to 12-11-0, Exterior(2R) 12-11-0 to 19-4-8, Interior (1) 19-4-8 to 29-11-4, Exterior(2E) 29-11-4 to 33-2-0 zone; cantilever left and right exposed ; end vertical left and right exposed;C-C for members and forces & MWFRS for reactions shown; Lumber DOL=1.60 plate grip DOL=1.60
 - Truss designed for wind loads in the plane of the truss only. For studs exposed to wind (normal to the face), see Standard Industry Gable End Details as applicable, or consult qualified building designer as per ANSI/TPI 1.
 - TCLL: ASCE 7-16; Pr=20.0 psf (roof LL: Lum DOL=1.15 Plate DOL=1.15); Pf=20.0 psf (Lum DOL=1.15 Plate DOL=1.15); Is=1.0; Rough Cat B; Fully Exp.; Ce=0.9; Cs=1.00; Ct=1.10
 - Unbalanced snow loads have been considered for this design.
 - This truss has been designed for greater of min roof live load of 12.0 psf or 1.00 times flat roof load of 20.0 psf on overhangs non-concurrent with other live loads.
 - All plates are 2x4 MT20 unless otherwise indicated.
 - Gable studs spaced at 2-0-0 oc.
 - This truss has been designed for a 10.0 psf bottom chord live load nonconcurrent with any other live loads.
 - * This truss has been designed for a live load of 20.0psf on the bottom chord in all areas where a rectangle 3-06-00 tall by 2-00-00 wide will fit between the bottom chord and any other members, with BCDL = 10.0psf.
 - One H2.5A Simpson Strong-Tie connectors recommended to connect truss to bearing walls due to UPLIFT at jt(s) 20, 2, 26, 25, 23, and 22. This connection is for uplift only and does not consider lateral forces.

Job	Truss	Truss Type	Qty	Ply	Job Reference (optional)
Trinity	C2	Common Structural Gable	1	1	

Carter Components, Sanford, NC, user

Run: 8.53 S Mar 28 2022 Print: 8.530 S Mar 28 2022 MiTek Industries, Inc. Thu May 19 09:11:28

Page: 2

ID:F1vS6JNqWryYVsrFyJ1DhyzlEXq-PKcUwcStQIFbKHnInQCUC0hBND?2vR3RnVLnMizF?3z

12) This truss is designed in accordance with the 2018 International Residential Code sections R502.11.1 and R802.10.2 and referenced standard ANSI/TPI 1.

LOAD CASE(S) Standard

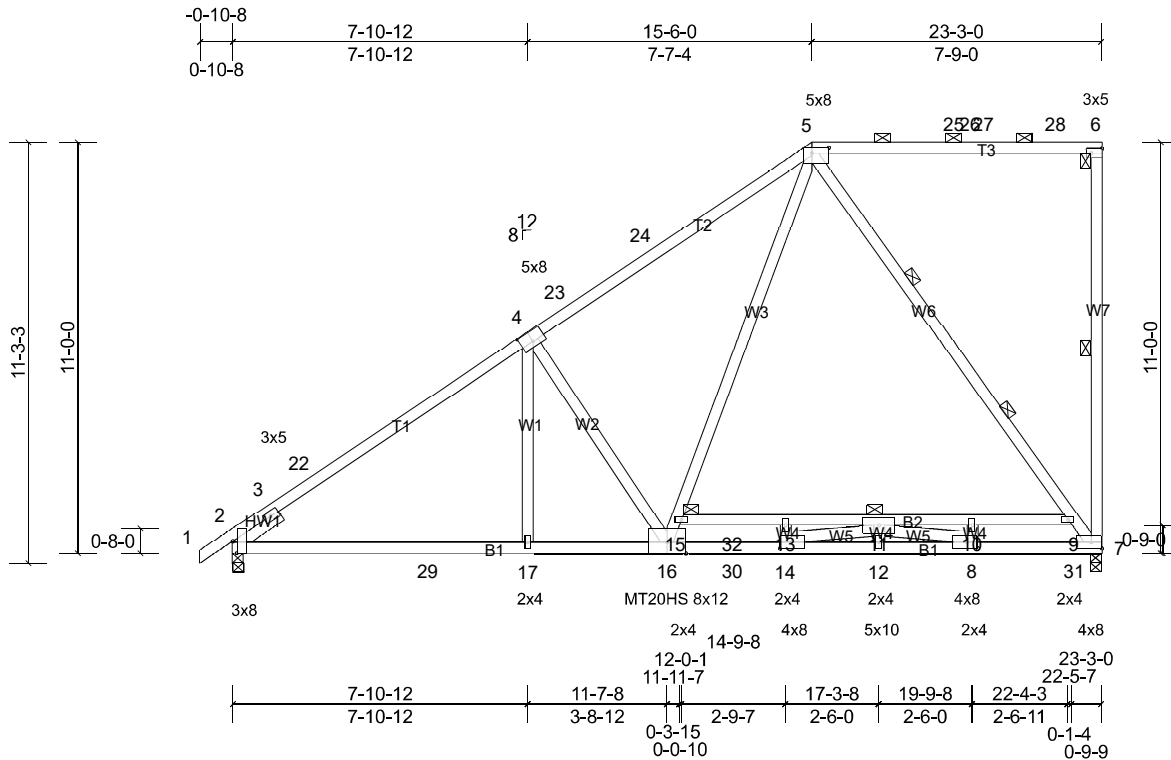
Job Trinity	Truss D1	Truss Type Piggyback Base	Qty 11	Ply 1	Job Reference (optional)
----------------	-------------	------------------------------	-----------	----------	--------------------------

Carter Components, Sanford, NC, user

Run: 8.53 S Mar 28 2022 Print: 8.530 S Mar 28 2022 MiTek Industries, Inc. Thu May 19 09:11:29

Page: 1

ID:GMVix0J?p?wFT?sJzL9WRBzIEBy-tWAs8xTVB0NSxRyxL8jttDDF5dlUemda?95Lu8zF?3y



Scale = 1:61.7

Plate Offsets (X, Y): [2:0-3-13,Edge], [4:0-4-0,0-3-4], [5:0-5-8,0-1-12], [6:Edge,0-1-8], [8:0-3-8,0-2-0], [14:0-3-8,0-2-0]

Loading	(psf)	Spacing	2-0-0	CSI	DEFL	in	(loc)	l/defl	L/d	PLATES	GRIP	
TCLL (roof)	20.0	Plate Grip DOL	1.15	TC	0.90	Vert(LL)	-0.38	12-14	>726	240	MT20	244/190
Snow (Pf)	20.0	Lumber DOL	1.15	BC	0.90	Vert(CT)	-0.73	10-11	>380	180	MT20HS	187/143
TCDL	10.0	Rep Stress Incr	YES	WB	1.00	Horz(CT)	0.04	7	n/a	n/a		
BCLL	0.0*	Code	IRC2018/TPI2014	Matrix-MSH								
BCDL	10.0											
											Weight: 171 lb	FT = 20%

LUMBER	
TOP CHORD	2x4 SP No.1 *Except* T3:2x4 SP 2400F 2.0E, T1:2x4 SP No.2
BOT CHORD	2x4 SP 2400F 2.0E
WEBS	2x4 SP No.3 *Except* W7,W6,W3:2x4 SP No.2
SLIDER	Left 2x4 SP No.3 -- 1-6-0
REACTIONS	
(lb/size)	2=1083/0-3-8, (min. 0-1-8), 7=1232/0-3-8, (min. 0-1-8)
Max Horiz	2=389 (LC 13)
Max Uplift	2=-29 (LC 14)
Max Grav	2=1362 (LC 40), 7=1606 (LC 37)

BRACING	
TOP CHORD	Structural wood sheathing directly applied, except end verticals, and 2-0-0 oc purlins (6-0-0 max.): 5-6.
BOT CHORD	Rigid ceiling directly applied or 10-0-0 oc bracing. Except: 6-0-0 oc bracing: 9-15
WEBS	1 Row at midpt 6-7
WEBS	2 Rows at 1/3 pts 5-7

MiTek recommends that Stabilizers and required cross bracing be installed during truss erection, in accordance with Stabilizer Installation guide.

FORCES	
(lb) - Max. Comp./Max. Ten. - All forces 250 (lb) or less except when shown.	
TOP CHORD	2-3=-1149/0, 3-22=-1748/0, 4-22=-1577/24, 4-23=-1521/12, 23-24=-1384/29, 5-24=-1347/58, 6-7=-344/107
BOT CHORD	2-29=-326/1542, 17-29=-99/1542, 16-17=-99/1541, 16-30=-77/843, 14-30=-77/843, 12-14=0/3217, 8-12=0/3217, 8-31=-3/963, 7-31=-3/963, 10-11=-268/0, 9-10=-268/0
WEBS	4-16=-606/319, 5-9=-1154/80, 7-9=-1519/0, 15-16=-4/1196, 5-15=0/1441, 11-12=0/742, 13-14=0/302, 8-10=0/481, 11-14=-2710/0, 8-11=-2554/0

- NOTES**
- Unbalanced roof live loads have been considered for this design.
 - Wind: ASCE 7-16; Vult=130mph (3-second gust) Vasd=103mph; TCDL=6.0psf; BCDL=6.0psf; h=25ft; Cat. II; Exp B; Enclosed; MWFRS (envelope) exterior zone and C-C Exterior(2E) -0-10-8 to 2-1-8, Interior (1) 2-1-8 to 11-3-1, Exterior(2R) 11-3-1 to 19-8-15, Interior (1) 19-8-15 to 20-1-4, Exterior(2E) 20-1-4 to 23-1-4 zone; cantilever left and right exposed; end vertical left and right exposed; C-C for members and forces & MWFRS for reactions shown; Lumber DOL=1.60 plate grip DOL=1.60
 - TCLL: ASCE 7-16; Pr=20.0 psf (roof LL: Lum DOL=1.15 Plate DOL=1.15); Pf=20.0 psf (Lum DOL=1.15 Plate DOL=1.15); Is=1.0; Rough Cat B; Fully Exp.; Ce=0.9; Cs=1.00; Ct=1.10
 - Unbalanced snow loads have been considered for this design.
 - This truss has been designed for greater of min roof live load of 12.0 psf or 1.00 times flat roof load of 20.0 psf on overhangs non-concurrent with other live loads.
 - 200.0lb AC unit load placed on the bottom chord, 17-3-8 from left end, supported at two points, 5-0-0 apart.
 - Provide adequate drainage to prevent water ponding.
 - All plates are MT20 plates unless otherwise indicated.
 - This truss has been designed for a 10.0 psf bottom chord live load nonconcurrent with any other live loads.
 - * This truss has been designed for a live load of 20.0psf on the bottom chord in all areas where a rectangle 3-06-00 tall by 2-00-00 wide will fit between the bottom chord and any other members, with BCDL = 10.0psf.
 - One H2.5A Simpson Strong-Tie connectors recommended to connect truss to bearing walls due to UPLIFT at jt(s) 2. This connection is for uplift only and does not consider lateral forces.
 - This truss is designed in accordance with the 2018 International Residential Code sections R502.11.1 and R802.10.2 and referenced standard ANSI/TPI 1.
 - Graphical purlin representation does not depict the size or the orientation of the purlin along the top and/or bottom chord.

Job	Truss	Truss Type	Qty	Ply	Job Reference (optional)
Trinity	D1	Piggyback Base	11	1	

Carter Components, Sanford, NC, user

Run: 8.53 S Mar 28 2022 Print: 8.530 S Mar 28 2022 MiTek Industries, Inc. Thu May 19 09:11:29

Page: 2

ID:GMVix0J?p?wFT?sJzL9WRBzIEBy-tWAs8xTVB0NSxRyxL8jttDDF5dIUemda?95Lu8zF?3y

LOAD CASE(S) Standard

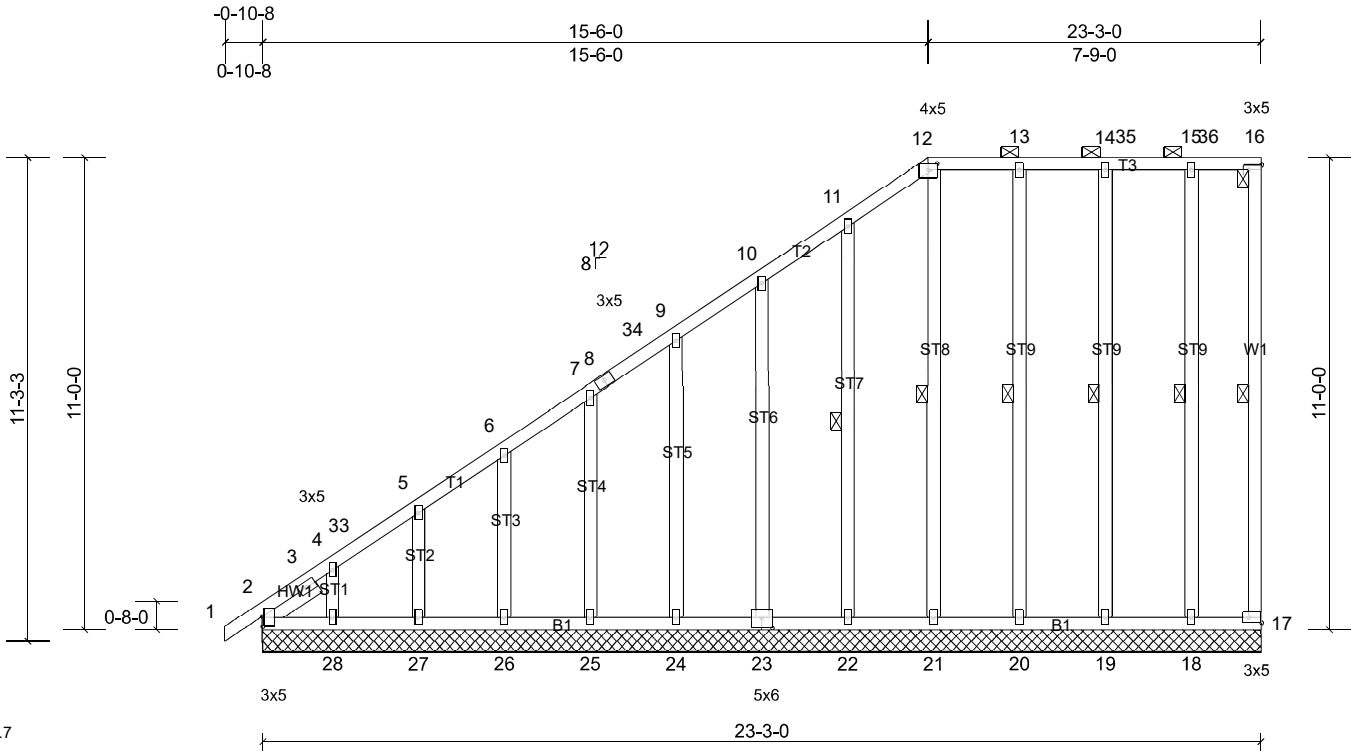
Job Trinity	Truss D2	Truss Type Piggyback Base Supported Gable	Qty 1	Ply 1	Job Reference (optional)
----------------	-------------	--	----------	----------	--------------------------

Carter Components, Sanford, NC, user

Run: 8.53 S Mar 28 2022 Print: 8.530 S Mar 28 2022 MiTek Industries, Inc. Thu May 19 09:11:29

Page: 1

ID:CldTMiKFLcAziJ0i5mB_WczIEBw-tWas8xTVB0NSxRyxL8jtDDIudRDeyWa?95Lu8zF?3y



Scale = 1:53.7

Plate Offsets (X, Y): [2:0-2-13,0-0-3], [12:0-2-8,0-1-13], [16:Edge,0-1-8], [17:Edge,0-1-8], [23:0-3-0,0-3-0]

Loading	(psf)	Spacing	2-0-0	CSI	0.72	DEFL	in	(loc)	l/defl	L/d	PLATES	GRIP
TCLL (roof)	20.0	Plate Grip DOL	1.15	TC	0.72	Vert(LL)	n/a	-	n/a	999	MT20	244/190
Snow (Pf)	20.0	Lumber DOL	1.15	BC	0.34	Vert(CT)	n/a	-	n/a	999		
TCDL	10.0	Rep Stress Incr	YES	WB	0.24	Horz(CT)	0.00	17	n/a	n/a		
BCLL	0.0*	Code	IRC2018/TPI2014	Matrix-MSH								
BCDL	10.0											
											Weight: 209 lb	FT = 20%

LUMBER

TOP CHORD 2x4 SP No.2
 BOT CHORD 2x4 SP No.2
 WEBS 2x4 SP No.2
 OTHERS 2x4 SP No.3 *Except* ST8,ST9:2x4 SP No.2
 SLIDER Left 2x4 SP No.3 -- 1-6-0

BRACING

TOP CHORD Structural wood sheathing directly applied or 6-0-0 oc purlins, except end verticals, and 2-0-0 oc purlins (6-0-0 max.): 12-16.
 BOT CHORD Rigid ceiling directly applied or 10-0-0 oc bracing.
 WEBS 1 Row at midpt 16-17, 11-22, 12-21, 13-20, 14-19, 15-18

REACTIONS All bearings 23-3-0.

(lb) - Max Horiz 2=389 (LC 13), 29=389 (LC 13)
 Max Uplift All uplift 100 (lb) or less at joint(s) 2, 17, 18, 19, 20, 21, 22, 23, 24, 25, 26, 27, 29 except 28=-131 (LC 14)
 Max Grav All reactions 250 (lb) or less at joint(s) 17, 18, 19, 20, 21, 22, 23, 24, 25, 26, 27, 28 except 2=261 (LC 11), 29=261 (LC 11)

FORCES (lb) - Max. Comp./Max. Ten. - All forces 250 (lb) or less except when shown.

TOP CHORD 3-4=-369/239, 4-33=-315/182, 5-33=-311/202, 5-6=-285/182, 6-7=-250/160

NOTES

- 1) Wind: ASCE 7-16; Vult=130mph (3-second gust) Vasd=103mph; TCDL=6.0psf; BCDL=6.0psf; h=25ft; Cat. II; Exp B; Enclosed; MWFRS (envelope) exterior zone and C-C Corner(3E) -0-10-8 to 2-1-8, Exterior(2N) 2-1-8 to 12-6-0, Corner(3R) 12-6-0 to 18-6-0, Exterior(2N) 18-6-0 to 20-1-4, Corner(3E) 20-1-4 to 23-1-4 zone; cantilever left and right exposed; end vertical left and right exposed; C-C for members and forces & MWFRS for reactions shown; Lumber DOL=1.60 plate grip DOL=1.60
- 2) Truss designed for wind loads in the plane of the truss only. For studs exposed to wind (normal to the face), see Standard Industry Gable End Details as applicable, or consult qualified building designer as per ANSI/TPI 1.
- 3) TCLL: ASCE 7-16; Pr=20.0 psf (roof LL: Lum DOL=1.15 Plate DOL=1.15); Pf=20.0 psf (Lum DOL=1.15 Plate DOL=1.15); Is=1.0; Rough Cat B; Fully Exp.; Ce=0.9; Cs=1.00; Ct=1.10
- 4) Unbalanced snow loads have been considered for this design.
- 5) This truss has been designed for greater of min roof live load of 12.0 psf or 1.00 times flat roof load of 20.0 psf on overhangs non-concurrent with other live loads.
- 6) Provide adequate drainage to prevent water ponding.
- 7) All plates are 2x4 MT20 unless otherwise indicated.
- 8) Gable requires continuous bottom chord bearing.
- 9) Gable studs spaced at 2-0-0 oc.
- 10) This truss has been designed for a 10.0 psf bottom chord live load nonconcurrent with any other live loads.
- 11) * This truss has been designed for a live load of 20.0psf on the bottom chord in all areas where a rectangle 3-06-00 tall by 2-00-00 wide will fit between the bottom chord and any other members.
- 12) Provide mechanical connection (by others) of truss to bearing plate capable of withstanding 100 lb uplift at joint(s) 17, 2, 23, 24, 25, 26, 27, 22, 21, 20, 19, 18, 2 except (jt=lb) 28=131.
- 13) This truss is designed in accordance with the 2018 International Residential Code sections R502.11.1 and R802.10.2 and referenced standard ANSI/TPI 1.
- 14) Graphical purlin representation does not depict the size or the orientation of the purlin along the top and/or bottom chord.

LOAD CASE(S) Standard

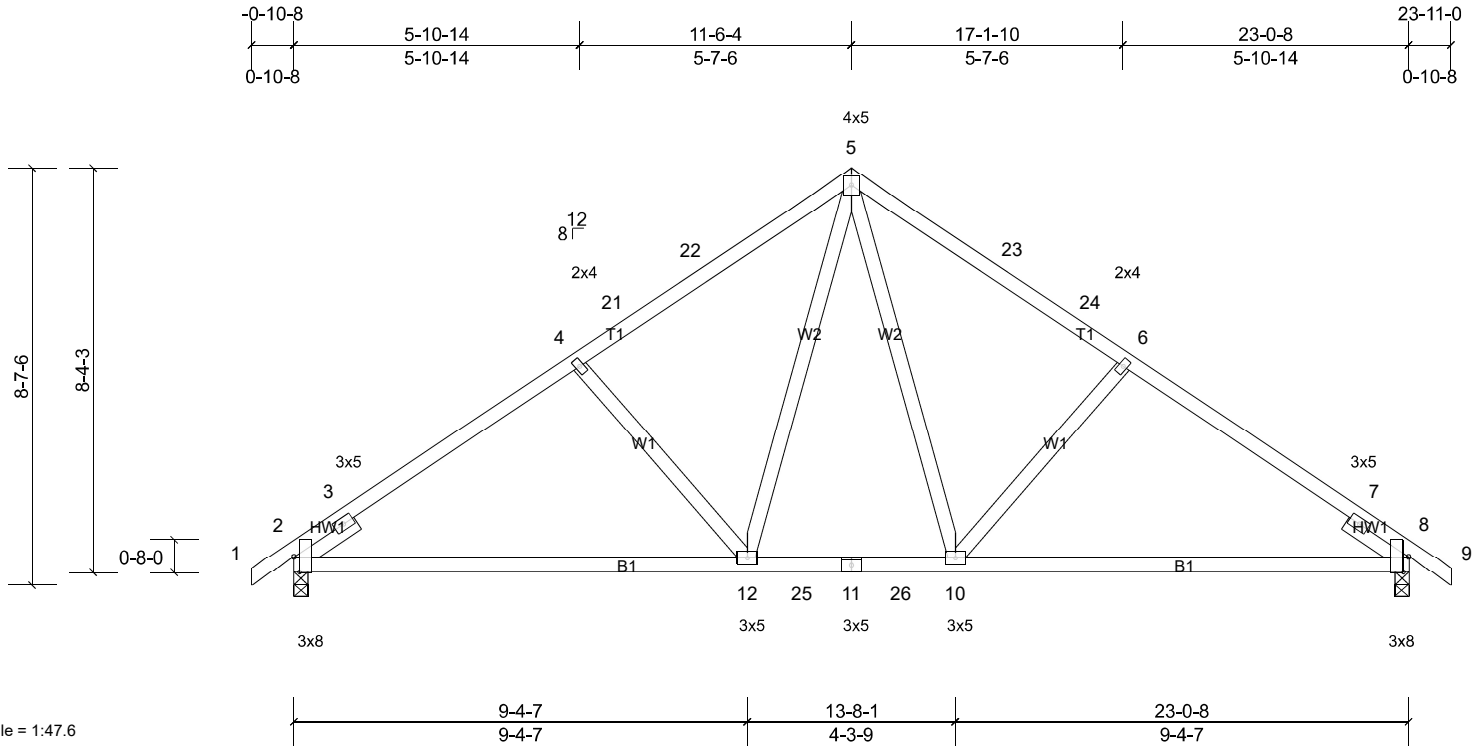
Job Trinity	Truss E1	Truss Type Common	Qty 1	Ply 1	Job Reference (optional)
----------------	-------------	----------------------	----------	----------	--------------------------

Carter Components, Sanford, NC, user

Run: 8.53 S Mar 28 2022 Print: 8.530 S Mar 28 2022 MiTek Industries, Inc. Thu May 19 09:11:30

Page: 1

ID:LHsE0?30V9U?5VkyGi6QShzIEap-LikELHT7yJVJZbX7urEyQRmUz0gvNPvkEpuQbzF?3x



Scale = 1:47.6

Plate Offsets (X, Y): [2:0-3-13,Edge], [8:0-3-13,Edge]

Loading	(psf)	Spacing	2-0-0	CSI	0.70	DEFL	in	(loc)	l/defl	L/d	PLATES	GRIP
TCLL (roof)	20.0	Plate Grip DOL	1.15	TC	0.70	Vert(LL)	-0.15	12-15	>999	240	MT20	244/190
Snow (Pf)	20.0	Lumber DOL	1.15	BC	0.76	Vert(CT)	-0.31	12-15	>892	180		
TCDL	10.0	Rep Stress Incr	YES	WB	0.23	Horz(CT)	0.03	8	n/a	n/a		
BCLL	0.0*	Code	IRC2018/TPI2014	Matrix-MSH								
BCDL	10.0										Weight: 123 lb	FT = 20%

LUMBER

TOP CHORD 2x4 SP No.2
 BOT CHORD 2x4 SP No.2
 WEBS 2x4 SP No.3
 SLIDER Left 2x4 SP No.3 -- 1-6-0, Right 2x4 SP No.3 -- 1-6-0

BRACING

TOP CHORD
 BOT CHORD

Structural wood sheathing directly applied or 3-11-6 oc purlins.
 Rigid ceiling directly applied or 10-0-0 oc bracing.

MiTek recommends that Stabilizers and required cross bracing be installed during truss erection, in accordance with Stabilizer Installation guide.

REACTIONS

(lb/size) 2=974/0-3-8, (min. 0-1-8), 8=974/0-3-8, (min. 0-1-8)
 Max Horiz 2=-194 (LC 12)
 Max Uplift 2=-96 (LC 14), 8=-96 (LC 15)
 Max Grav 2=1083 (LC 24), 8=1083 (LC 25)

FORCES

(lb) - Max. Comp./Max. Ten. - All forces 250 (lb) or less except when shown.
 TOP CHORD 2-3=-1084/0, 3-4=-1238/161, 4-21=-1163/149, 21-22=-1063/163, 5-22=-1049/183, 5-23=-1049/183, 23-24=-1063/163, 6-24=-1163/149, 6-7=-1238/161, 7-8=-971/0
 BOT CHORD 2-12=-227/1177, 12-25=0/818, 11-25=0/818, 11-26=0/818, 10-26=0/818, 8-10=-31/1075
 WEBS 5-10=-89/529, 6-10=-382/206, 5-12=-89/529, 4-12=-382/206

NOTES

- Unbalanced roof live loads have been considered for this design.
- Wind: ASCE 7-16; Vult=130mph (3-second gust) Vasd=103mph; TCDL=6.0psf; BCDL=6.0psf; h=25ft; Cat. II; Exp B; Enclosed; MWFRS (envelope) exterior zone and C-C Exterior(2E) -0-10-8 to 2-1-8, Interior (1) 2-1-8 to 8-6-4, Exterior(2R) 8-6-4 to 14-6-4, Interior (1) 14-6-4 to 20-11-0, Exterior(2E) 20-11-0 to 23-11-0 zone; cantilever left and right exposed; end vertical left and right exposed; C-C for members and forces & MWFRS for reactions shown; Lumber DOL=1.60 plate grip DOL=1.60
- TCLL: ASCE 7-16; Pr=20.0 psf (roof LL: Lum DOL=1.15 Plate DOL=1.15); Pf=20.0 psf (Lum DOL=1.15 Plate DOL=1.15); Is=1.0; Rough Cat B; Fully Exp.; Ce=0.9; Cs=1.00; Ct=1.10
- Unbalanced snow loads have been considered for this design.
- This truss has been designed for greater of min roof live load of 12.0 psf or 1.00 times flat roof load of 20.0 psf on overhangs non-concurrent with other live loads.
- This truss has been designed for a 10.0 psf bottom chord live load nonconcurrent with any other live loads.
- * This truss has been designed for a live load of 20.0psf on the bottom chord in all areas where a rectangle 3-06-00 tall by 2-00-00 wide will fit between the bottom chord and any other members, with BCDL = 10.0psf.
- One H2.5A Simpson Strong-Tie connectors recommended to connect truss to bearing walls due to UPLIFT at jt(s) 2 and 8. This connection is for uplift only and does not consider lateral forces.
- This truss is designed in accordance with the 2018 International Residential Code sections R502.11.1 and R802.10.2 and referenced standard ANSI/TPI 1.

LOAD CASE(S) Standard

Job Trinity	Truss E2	Truss Type Common Supported Gable	Qty 1	Ply 1	Job Reference (optional)
----------------	-------------	--------------------------------------	----------	----------	--------------------------

Carter Components, Sanford, NC, user

Run: 8.53 S Mar 28 2022 Print: 8.530 S Mar 28 2022 MiTek Industries, Inc. Thu May 19 09:11:30

Page: 1

ID:9YXWIMh86RE118bq9TawNrziEca-LikELHT7yJVJZbX7urEyQRmdf0qgNQHkEpuQbzF73x

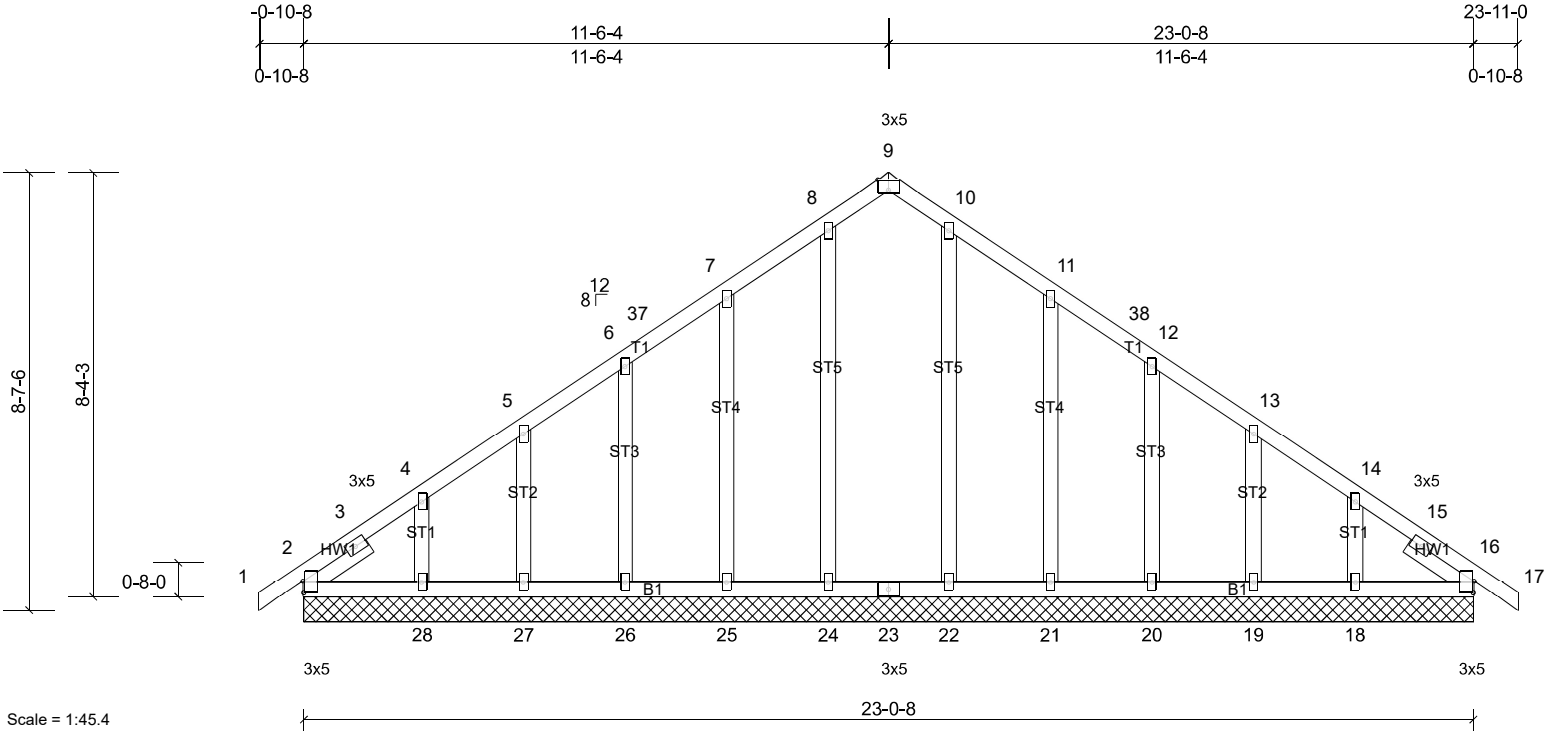


Plate Offsets (X, Y): [2:0-2-13,0-0-3], [9:0-2-8,Edge], [16:0-2-13,0-0-3]

Loading	(psf)	Spacing	2-0-0	CSI	0.08	DEFL	in (loc)	l/defl	L/d	PLATES	GRIP	
TCLL (roof)	20.0	Plate Grip DOL	1.15	TC	0.08	Vert(LL)	n/a	-	n/a	999	MT20	244/190
Snow (Pf)	20.0	Lumber DOL	1.15	BC	0.07	Vert(CT)	n/a	-	n/a	999		
TCDL	10.0	Rep Stress Incr	YES	WB	0.18	Horz(CT)	0.01	16	n/a	n/a		
BCLL	0.0*	Code	IRC2018/TPI2014	Matrix-MSH								
BCDL	10.0											
											Weight: 148 lb	FT = 20%

LUMBER
TOP CHORD 2x4 SP No.2
BOT CHORD 2x4 SP No.2
OTHERS 2x4 SP No.3
SLIDER Left 2x4 SP No.3 -- 1-6-0, Right 2x4 SP No.3 -- 1-6-0

BRACING
TOP CHORD Structural wood sheathing directly applied or 6-0-0 oc purlins.
BOT CHORD Rigid ceiling directly applied or 10-0-0 oc bracing.

REACTIONS All bearings 23-0-8.
(lb) - Max Horiz 2=-194 (LC 12), 29=-194 (LC 12)
Max Uplift All uplift 100 (lb) or less at joint(s) 2, 19, 20, 21, 25, 26, 27, 29 except 18=-111 (LC 15), 28=-116 (LC 14)
Max Grav All reactions 250 (lb) or less at joint(s) 2, 16, 18, 19, 20, 21, 22, 24, 25, 26, 27, 28, 29, 33

FORCES (lb) - Max. Comp./Max. Ten. - All forces 250 (lb) or less except when shown.

- NOTES**
- Unbalanced roof live loads have been considered for this design.
 - Wind: ASCE 7-16; Vult=130mph (3-second gust) Vasd=103mph; TCDL=6.0psf; BCDL=6.0psf; h=25ft; Cat. II; Exp B; Enclosed; MWFRS (envelope) exterior zone and C-C Corner(3E) -0-10-8 to 2-4-0, Exterior(2N) 2-4-0 to 8-4-0, Corner(3R) 8-4-0 to 14-8-8, Exterior(2N) 14-8-8 to 20-8-8, Corner(3E) 20-8-8 to 23-11-0 zone; cantilever left and right exposed; end vertical left and right exposed; C-C for members and forces & MWFRS for reactions shown; Lumber DOL=1.60 plate grip DOL=1.60
 - Truss designed for wind loads in the plane of the truss only. For studs exposed to wind (normal to the face), see Standard Industry Gable End Details as applicable, or consult qualified building designer as per ANSI/TPI 1.
 - TCLL: ASCE 7-16; Pr=20.0 psf (roof LL: Lum DOL=1.15 Plate DOL=1.15); Pf=20.0 psf (Lum DOL=1.15 Plate DOL=1.15); Is=1.0; Rough Cat B; Fully Exp.; Ce=0.9; Cs=1.00; Ct=1.10
 - Unbalanced snow loads have been considered for this design.
 - This truss has been designed for greater of min roof live load of 12.0 psf or 1.00 times flat roof load of 20.0 psf on overhangs non-concurrent with other live loads.
 - All plates are 2x4 MT20 unless otherwise indicated.
 - Gable requires continuous bottom chord bearing.
 - Gable studs spaced at 2-0-0 oc.
 - This truss has been designed for a 10.0 psf bottom chord live load nonconcurrent with any other live loads.
 - * This truss has been designed for a live load of 20.0psf on the bottom chord in all areas where a rectangle 3-06-00 tall by 2-00-00 wide will fit between the bottom chord and any other members, with BCDL = 10.0psf.
 - Provide mechanical connection (by others) of truss to bearing plate capable of withstanding 100 lb uplift at joint(s) 2, 25, 26, 27, 21, 20, 19, 2 except (jt=lb) 28=115, 18=110.
 - This truss is designed in accordance with the 2018 International Residential Code sections R502.11.1 and R802.10.2 and referenced standard ANSI/TPI 1.

LOAD CASE(S) Standard

Job Trinity	Truss F1	Truss Type Common	Qty 9	Ply 1	Job Reference (optional)
----------------	-------------	----------------------	----------	----------	--------------------------

Carter Components, Sanford, NC, user

Run: 8.53 S Mar 28 2022 Print: 8.530 S Mar 28 2022 MiTek Industries, Inc. Thu May 19 09:11:30

Page: 1

ID:CU51nu7bLO1OAiDRbhO?K1zIECB-LikELHT7yJVJZbX7urEyQRmWd0g2NNBkEppuQbzF?3x

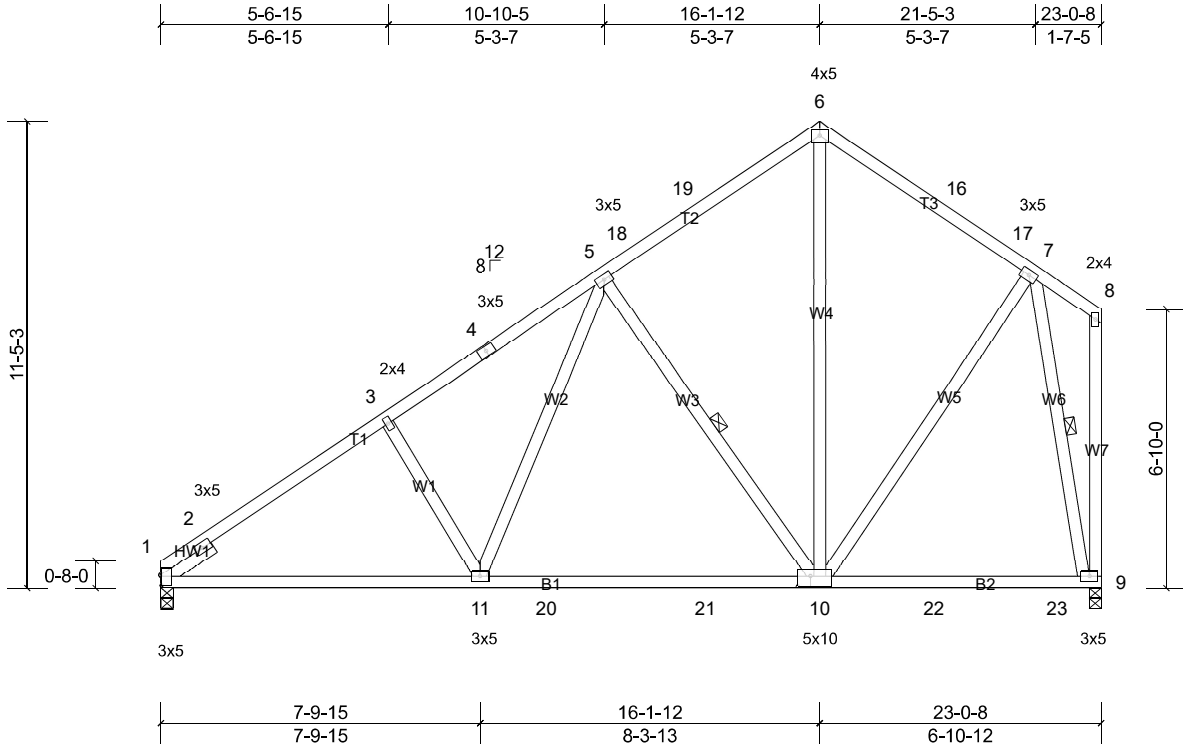


Plate Offsets (X, Y): [1:0-3-1,0-0-3], [10:0-3-12,0-3-0]

Loading	(psf)	Spacing	2-0-0	CSI	0.53	DEFL	in (loc)	l/defl	L/d	PLATES	GRIP
TCLL (roof)	20.0	Plate Grip DOL	1.15	TC	0.53	Vert(LL)	-0.16 10-11	>999	240	MT20	244/190
Snow (Pf)	20.0	Lumber DOL	1.15	BC	0.75	Vert(CT)	-0.26 10-11	>999	180		
TCDL	10.0	Rep Stress Incr	YES	WB	0.34	Horz(CT)	0.03 9	n/a	n/a		
BCLL	0.0*	Code	IRC2018/TPI2014	Matrix-MSH							
BCDL	10.0									Weight: 160 lb	FT = 20%

LUMBER
TOP CHORD 2x4 SP No.2
BOT CHORD 2x4 SP No.2
WEBS 2x4 SP No.3 *Except* W7:2x4 SP 2400F 2.0E, W4:2x4 SP No.2
SLIDER Left 2x4 SP No.3 -- 1-6-0

BRACING
TOP CHORD Structural wood sheathing directly applied or 4-9-0 oc purlins, except end verticals.
BOT CHORD Rigid ceiling directly applied or 10-0-0 oc bracing.
WEBS 1 Row at midpt 5-10, 7-9

REACTIONS (lb/size) 1=916/0-3-8, (min. 0-1-8), 9=916/0-3-8, (min. 0-1-8)
Max Horiz 1=339 (LC 13)
Max Uplift 1=-84 (LC 14), 9=-99 (LC 14)
Max Grav 1=1057 (LC 23), 9=1101 (LC 23)

MiTek recommends that Stabilizers and required cross bracing be installed during truss erection, in accordance with Stabilizer Installation guide.

FORCES (lb) - Max. Comp./Max. Ten. - All forces 250 (lb) or less except when shown.
TOP CHORD 6-16=-594/200, 16-17=-603/180, 7-17=-666/168, 1-2=-838/0, 2-3=-1410/138, 3-4=-1298/162, 4-5=-1173/185, 5-18=-711/169, 18-19=-627/181, 6-19=-613/201
BOT CHORD 1-11=-258/1286, 11-20=-106/928, 20-21=-106/928, 10-21=-106/928
WEBS 3-11=-270/182, 6-10=-96/409, 5-11=-71/597, 7-10=-37/582, 5-10=-647/235, 7-9=-1018/178

- NOTES**
- Unbalanced roof live loads have been considered for this design.
 - Wind: ASCE 7-16; Vult=130mph (3-second gust) Vasd=103mph; TCDL=6.0psf; BCDL=6.0psf; h=25ft; Cat. II; Exp B; Enclosed; MWFRS (envelope) exterior zone and C-C Exterior(2E) 0-0-0 to 3-0-0, Interior (1) 3-0-0 to 13-1-12, Exterior(2R) 13-1-12 to 19-1-12, Interior (1) 19-1-12 to 19-10-12, Exterior(2E) 19-10-12 to 22-10-12 zone; cantilever left and right exposed; end vertical left and right exposed; C-C for members and forces & MWFRS for reactions shown; Lumber DOL=1.60 plate grip DOL=1.60
 - TCLL: ASCE 7-16; Pr=20.0 psf (roof LL: Lum DOL=1.15 Plate DOL=1.15); Pf=20.0 psf (Lum DOL=1.15 Plate DOL=1.15); Is=1.0; Rough Cat B; Fully Exp.; Ce=0.9; Cs=1.00; Ct=1.10
 - Unbalanced snow loads have been considered for this design.
 - This truss has been designed for a 10.0 psf bottom chord live load nonconcurrent with any other live loads.
 - * This truss has been designed for a live load of 20.0psf on the bottom chord in all areas where a rectangle 3-06-00 tall by 2-00-00 wide will fit between the bottom chord and any other members, with BCDL = 10.0psf.
 - One H2.5A Simpson Strong-Tie connectors recommended to connect truss to bearing walls due to UPLIFT at jt(s) 9 and 1. This connection is for uplift only and does not consider lateral forces.
 - This truss is designed in accordance with the 2018 International Residential Code sections R502.11.1 and R802.10.2 and referenced standard ANSI/TPI 1.

LOAD CASE(S) Standard

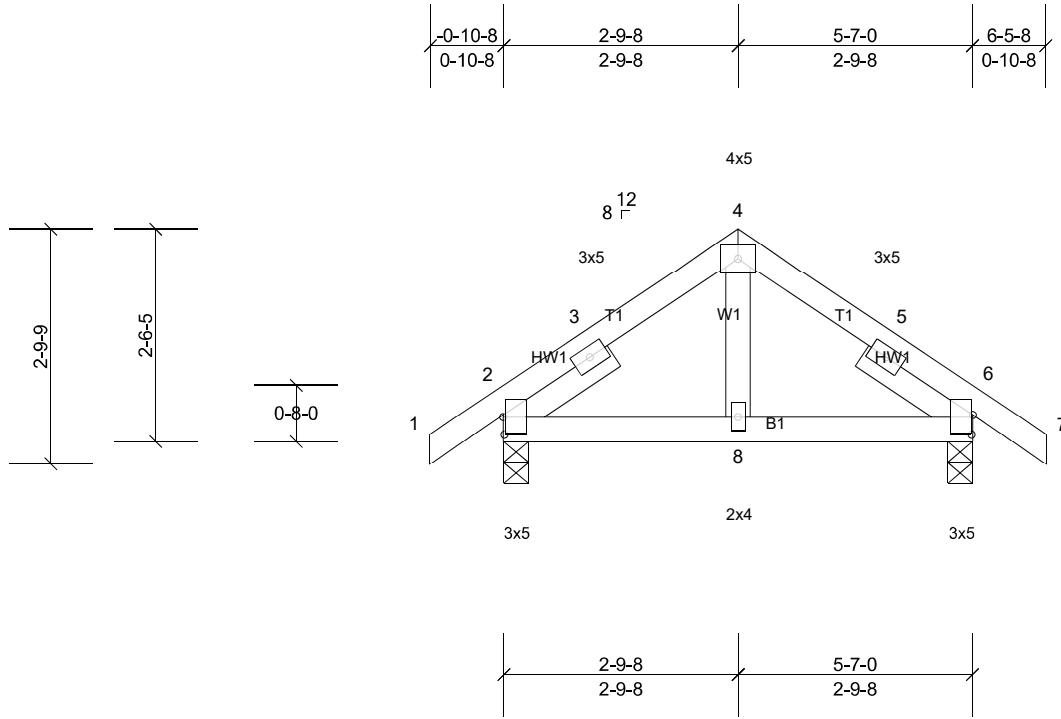
Job Trinity	Truss G1	Truss Type Common	Qty 1	Ply 1	Job Reference (optional)
----------------	-------------	----------------------	----------	----------	--------------------------

Carter Components, Sanford, NC, user

Run: 8.53 S Mar 28 2022 Print: 8.530 S Mar 28 2022 MiTek Industries, Inc. Thu May 19 09:11:30

Page: 1

ID:B3O3hwMm3L4g25?lbO2lqSzIEZ7-LikELHT7yJVJZbX7urEyQRmdB0qCNSukEpuQbzF?3x



Scale = 1:27.5

Plate Offsets (X, Y): [2:0-2-8,0-0-3], [6:0-2-13,0-0-3]

Loading	(psf)	Spacing	2-0-0	CSI		DEFL	in	(loc)	l/defl	L/d	PLATES	GRIP
TCLL (roof)	20.0	Plate Grip DOL	1.15	TC	0.11	Vert(LL)	0.00	8-11	>999	240	MT20	244/190
Snow (Pf)	20.0	Lumber DOL	1.15	BC	0.10	Vert(CT)	0.00	8-11	>999	180		
TCDL	10.0	Rep Stress Incr	YES	WB	0.04	Horz(CT)	0.00	2	n/a	n/a		
BCLL	0.0*	Code	IRC2018/TPI2014	WB								
BCDL	10.0			Matrix-MP							Weight: 29 lb	FT = 20%

LUMBER

TOP CHORD 2x4 SP No.2
 BOT CHORD 2x4 SP No.2
 WEBS 2x4 SP No.3
 SLIDER Left 2x4 SP No.3 -- 1-6-0, Right 2x4 SP No.3 -- 1-6-0

BRACING

TOP CHORD
 BOT CHORD

Structural wood sheathing directly applied or 5-7-0 oc purlins.
 Rigid ceiling directly applied or 10-0-0 oc bracing.

MiTek recommends that Stabilizers and required cross bracing be installed during truss erection, in accordance with Stabilizer Installation guide.

REACTIONS (lb/size) 2=276/0-3-8, (min. 0-1-8), 6=276/0-3-8, (min. 0-1-8)
 Max Horiz 2=-57 (LC 12)
 Max Uplift 2=-36 (LC 14), 6=-36 (LC 15)
 Max Grav 2=366 (LC 21), 6=366 (LC 22)

FORCES (lb) - Max. Comp./Max. Ten. - All forces 250 (lb) or less except when shown.

NOTES

- Unbalanced roof live loads have been considered for this design.
- Wind: ASCE 7-16; Vult=130mph (3-second gust) Vasd=103mph; TCDL=6.0psf; BCDL=6.0psf; h=25ft; Cat. II; Exp B; Enclosed; MWFRS (envelope) exterior zone and C-C Exterior(2E) -0-10-8 to 2-1-8, Exterior(2R) 2-1-8 to 3-5-8, Exterior(2E) 3-5-8 to 6-5-8 zone; cantilever left and right exposed; end vertical left and right exposed; C-C for members and forces & MWFRS for reactions shown; Lumber DOL=1.60 plate grip DOL=1.60
- TCLL: ASCE 7-16; Pr=20.0 psf (roof LL: Lum DOL=1.15 Plate DOL=1.15); Pf=20.0 psf (Lum DOL=1.15 Plate DOL=1.15); Is=1.0; Rough Cat B; Fully Exp.; Ce=0.9; Cs=1.00; Ct=1.10
- Unbalanced snow loads have been considered for this design.
- This truss has been designed for greater of min roof live load of 12.0 psf or 1.00 times flat roof load of 20.0 psf on overhangs non-concurrent with other live loads.
- This truss has been designed for a 10.0 psf bottom chord live load nonconcurrent with any other live loads.
- * This truss has been designed for a live load of 20.0psf on the bottom chord in all areas where a rectangle 3-06-00 tall by 2-00-00 wide will fit between the bottom chord and any other members.
- One H2.5A Simpson Strong-Tie connectors recommended to connect truss to bearing walls due to UPLIFT at jt(s) 2 and 6. This connection is for uplift only and does not consider lateral forces.
- This truss is designed in accordance with the 2018 International Residential Code sections R502.11.1 and R802.10.2 and referenced standard ANSI/TPI 1.

LOAD CASE(S) Standard

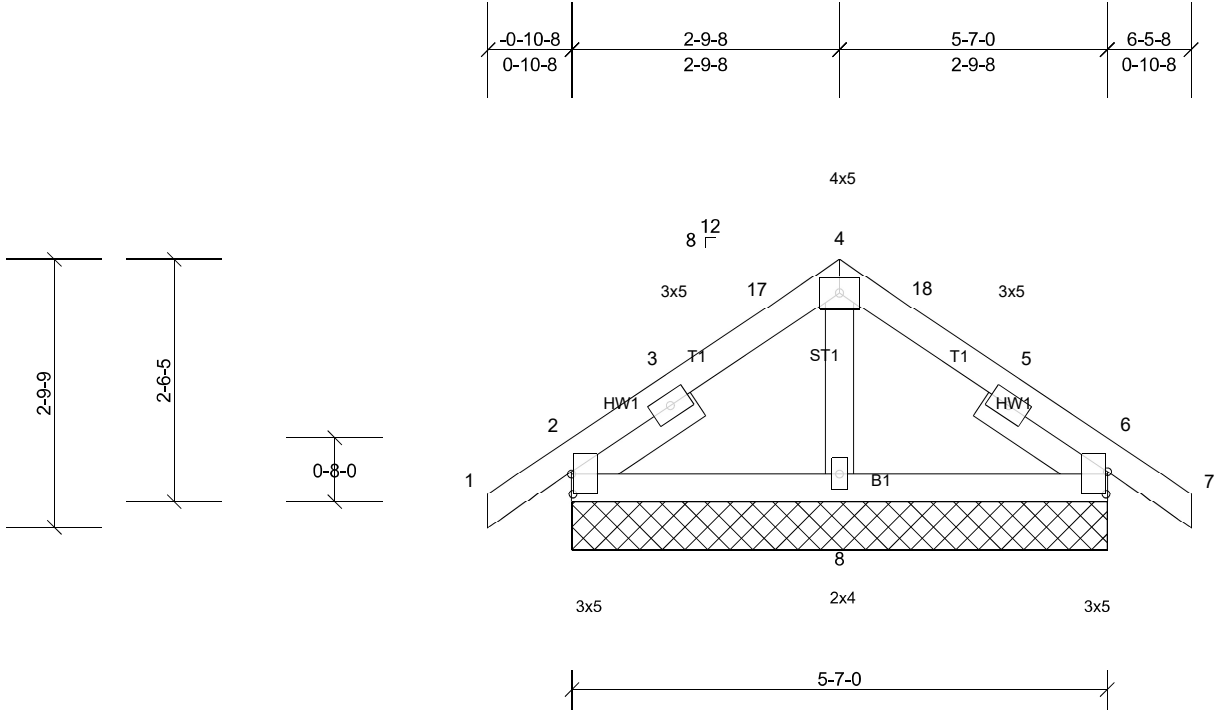
Job Trinity	Truss G2	Truss Type Common Supported Gable	Qty 1	Ply 1	Job Reference (optional)
----------------	-------------	--------------------------------------	----------	----------	--------------------------

Carter Components, Sanford, NC, user

Run: 8.53 S Mar 28 2022 Print: 8.530 S Mar 28 2022 MiTek Industries, Inc. Thu May 19 09:11:30

Page: 1

ID:BWLDYlyR4uoVztOmcFRnSHzIEZF-LikELHT7yJVJZbX7urEyQRmdB0q3NSCKEpuQbzF?3x



Scale = 1:24

Plate Offsets (X, Y): [2:0-2-8,0-0-3], [6:0-2-13,0-0-3]

Loading	(psf)	Spacing	2-0-0	CSI	DEFL	in	(loc)	l/defl	L/d	PLATES	GRIP	
TCLL (roof)	20.0	Plate Grip DOL	1.15	TC	0.11	Vert(LL)	n/a	-	n/a	999	MT20	244/190
Snow (Pf)	20.0	Lumber DOL	1.15	BC	0.11	Vert(CT)	n/a	-	n/a	999		
TCDL	10.0	Rep Stress Incr	YES	WB	0.02	Horz(CT)	0.00	2	n/a	n/a		
BCLL	0.0*	Code	IRC2018/TPI2014	Matrix-MP								
BCDL	10.0										Weight: 29 lb	FT = 20%

LUMBER

TOP CHORD 2x4 SP No.2
 BOT CHORD 2x4 SP No.2
 OTHERS 2x4 SP No.3
 SLIDER Left 2x4 SP No.3 -- 1-6-0, Right 2x4 SP No.3 -- 1-6-0

BRACING

TOP CHORD Structural wood sheathing directly applied or 5-7-0 oc purlins.
 BOT CHORD Rigid ceiling directly applied or 10-0-0 oc bracing.

REACTIONS All bearings 5-7-0.

(lb) - Max Horiz 2=-57 (LC 12), 9=-57 (LC 12)
 Max Uplift All uplift 100 (lb) or less at joint(s) 2, 6, 9, 13
 Max Grav All reactions 250 (lb) or less at joint(s) 8 except 2=325 (LC 21),
 6=325 (LC 22), 9=325 (LC 21), 13=325 (LC 22)

FORCES (lb) - Max. Comp./Max. Ten. - All forces 250 (lb) or less except when shown.

NOTES

- Unbalanced roof live loads have been considered for this design.
- Wind: ASCE 7-16; Vult=130mph (3-second gust) Vasd=103mph; TCDL=6.0psf; BCDL=6.0psf; h=25ft; Cat. II; Exp B; Enclosed; MWFRS (envelope) exterior zone and C-C Corner(3E) -0-10-8 to 2-1-8, Corner(3R) 2-1-8 to 3-5-8, Corner(3E) 3-5-8 to 6-5-8 zone; cantilever left and right exposed; end vertical left and right exposed; C-C for members and forces & MWFRS for reactions shown; Lumber DOL=1.60 plate grip DOL=1.60
- Truss designed for wind loads in the plane of the truss only. For studs exposed to wind (normal to the face), see Standard Industry Gable End Details as applicable, or consult qualified building designer as per ANSI/TPI 1.
- TCLL: ASCE 7-16; Pr=20.0 psf (roof LL: Lum DOL=1.15 Plate DOL=1.15); Pf=20.0 psf (Lum DOL=1.15 Plate DOL=1.15); Is=1.0; Rough Cat B; Fully Exp.; Ce=0.9; Cs=1.00; Ct=1.10
- Unbalanced snow loads have been considered for this design.
- This truss has been designed for greater of min roof live load of 12.0 psf or 1.00 times flat roof load of 20.0 psf on overhangs non-concurrent with other live loads.
- Gable requires continuous bottom chord bearing.
- Gable studs spaced at 2-0-0 oc.
- This truss has been designed for a 10.0 psf bottom chord live load nonconcurrent with any other live loads.
- * This truss has been designed for a live load of 20.0psf on the bottom chord in all areas where a rectangle 3-06-00 tall by 2-00-00 wide will fit between the bottom chord and any other members.
- Provide mechanical connection (by others) of truss to bearing plate capable of withstanding 100 lb uplift at joint(s) 2, 6, 2, 6.
- This truss is designed in accordance with the 2018 International Residential Code sections R502.11.1 and R802.10.2 and referenced standard ANSI/TPI 1.

LOAD CASE(S) Standard

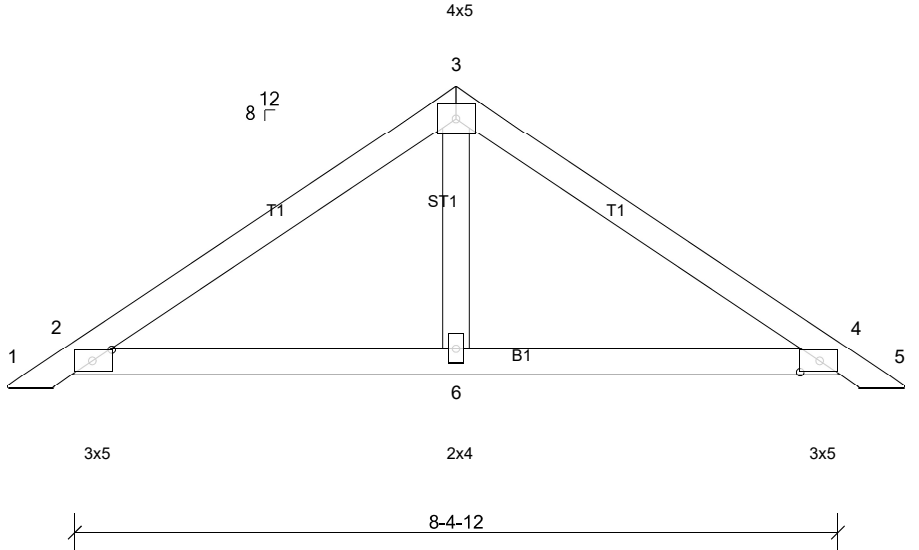
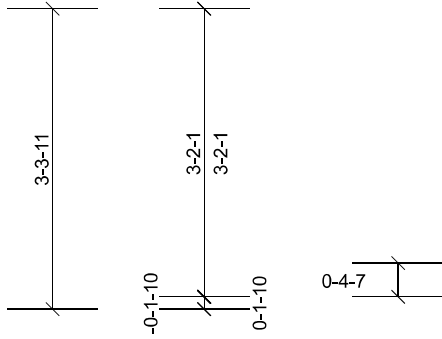
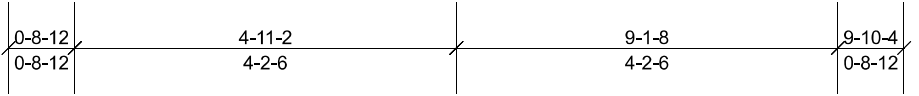
Job Trinity	Truss PB1	Truss Type Piggyback	Qty 9	Ply 1	Job Reference (optional)
----------------	--------------	-------------------------	----------	----------	--------------------------

Carter Components, Sanford, NC, user

Run: 8.53 S Mar 28 2022 Print: 8.530 S Mar 28 2022 MiTek Industries, Inc. Thu May 19 09:11:31

Page: 1

ID:rWl8kA3SXRp53xLTo8oqdzIECG-pvHcZdUJjddABl6KSZmByeJkQ6D6vITTaSz1zF?3w



Scale = 1:25.4

Plate Offsets (X, Y): [2:0-2-9,0-1-8], [4:0-2-9,0-1-8]

Loading	(psf)	Spacing	2-0-0	CSI	0.38	DEFL	in	(loc)	l/defl	L/d	PLATES	GRIP
TCLL (roof)	20.0	Plate Grip DOL	1.15	TC	0.38	Vert(LL)	n/a	-	n/a	999	MT20	244/190
Snow (Pf)	20.0	Lumber DOL	1.15	BC	0.37	Vert(CT)	n/a	-	n/a	999		
TCDL	10.0	Rep Stress Incr	YES	WB	0.03	Horz(CT)	0.00	2	n/a	n/a		
BCLL	0.0*	Code	IRC2018/TPI2014	Matrix-MP								
BCDL	10.0										Weight: 34 lb	FT = 20%

LUMBER
TOP CHORD 2x4 SP No.2
BOT CHORD 2x4 SP No.2
OTHERS 2x4 SP No.3

BRACING
TOP CHORD
BOT CHORD

Structural wood sheathing directly applied or 6-0-0 oc purlins.
Rigid ceiling directly applied or 10-0-0 oc bracing.

MiTek recommends that Stabilizers and required cross bracing be installed during truss erection, in accordance with Stabilizer Installation guide.

REACTIONS All bearings 8-4-12.
(lb) - Max Horiz 2=-73 (LC 12), 7=-73 (LC 12)
Max Uplift All uplift 100 (lb) or less at joint(s) 2, 4, 7, 11
Max Grav All reactions 250 (lb) or less at joint(s) except 2=337 (LC 21), 4=337 (LC 22), 6=290 (LC 22), 7=337 (LC 21), 11=337 (LC 22)

FORCES (lb) - Max. Comp./Max. Ten. - All forces 250 (lb) or less except when shown.

- NOTES**
- Unbalanced roof live loads have been considered for this design.
 - Wind: ASCE 7-16; Vult=130mph (3-second gust) Vasd=103mph; TCDL=6.0psf; BCDL=6.0psf; h=25ft; Cat. II; Exp B; Enclosed; MWFRS (envelope) exterior zone and C-C Exterior(2E) 0-3-5 to 3-3-5, Exterior(2R) 3-3-5 to 6-7-11, Exterior(2E) 6-7-11 to 9-7-11 zone; cantilever left and right exposed; end vertical left and right exposed; C-C for members and forces & MWFRS for reactions shown; Lumber DOL=1.60 plate grip DOL=1.60
 - Truss designed for wind loads in the plane of the truss only. For studs exposed to wind (normal to the face), see Standard Industry Gable End Details as applicable, or consult qualified building designer as per ANSI/TPI 1.
 - TCLL: ASCE 7-16; Pr=20.0 psf (roof LL: Lum DOL=1.15 Plate DOL=1.15); Pf=20.0 psf (Lum DOL=1.15 Plate DOL=1.15); Is=1.0; Rough Cat B; Fully Exp.; Ce=0.9; Cs=1.00; Ct=1.10
 - Unbalanced snow loads have been considered for this design.
 - This truss has been designed for greater of min roof live load of 12.0 psf or 1.00 times flat roof load of 20.0 psf on overhangs non-concurrent with other live loads.
 - Gable requires continuous bottom chord bearing.
 - Gable studs spaced at 4-0-0 oc.
 - This truss has been designed for a 10.0 psf bottom chord live load nonconcurrent with any other live loads.
 - * This truss has been designed for a live load of 20.0psf on the bottom chord in all areas where a rectangle 3-06-00 tall by 2-00-00 wide will fit between the bottom chord and any other members.
 - One H2.5A Simpson Strong-Tie connectors recommended to connect truss to bearing walls due to UPLIFT at jt(s) 2 and 4. This connection is for uplift only and does not consider lateral forces.
 - This truss is designed in accordance with the 2018 International Residential Code sections R502.11.1 and R802.10.2 and referenced standard ANSI/TPI 1.
 - See Standard Industry Piggyback Truss Connection Detail for Connection to base truss as applicable, or consult qualified building designer.

LOAD CASE(S) Standard

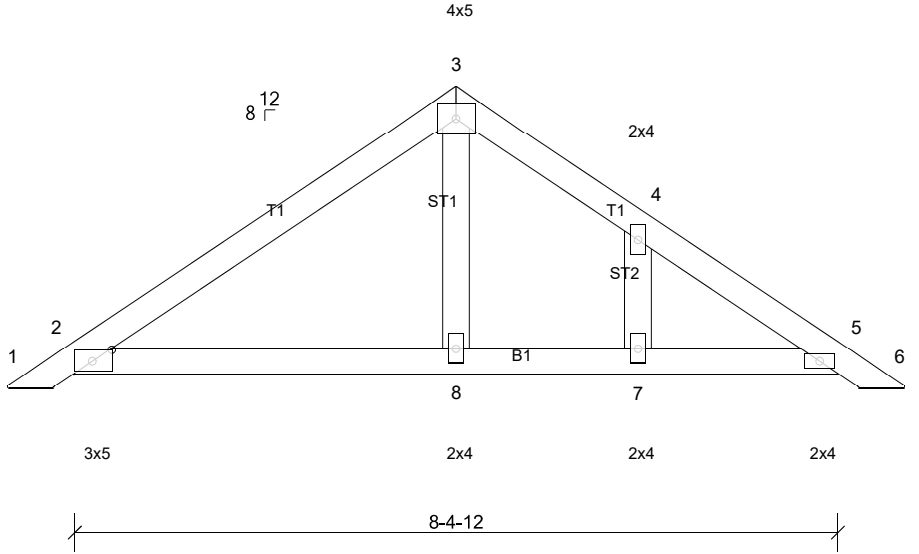
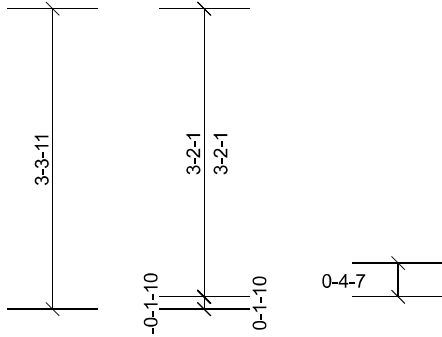
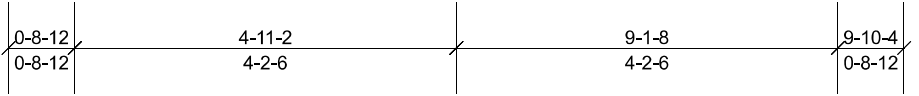
Job Trinity	Truss PB1A	Truss Type Piggyback	Qty 1	Ply 1	Job Reference (optional)
----------------	---------------	-------------------------	----------	----------	--------------------------

Carter Components, Sanford, NC, user

Run: 8.53 S Mar 28 2022 Print: 8.530 S Mar 28 2022 MiTek Industries, Inc. Thu May 19 09:11:31

Page: 1

ID: NKKmXr3qmYHESnmHFRHb4mzIECH-pvHcZdUjddABI6KSzmByeJkjQ6D6vzTTaSz1zF?3w



Scale = 1:25.4

Plate Offsets (X, Y): [2:0-2-9,0-1-8]

Loading	(psf)	Spacing	2-0-0	CSI		DEFL	in	(loc)	l/defl	L/d	PLATES	GRIP
TCLL (roof)	20.0	Plate Grip DOL	1.15	TC	0.38	Vert(LL)	n/a	-	n/a	999	MT20	244/190
Snow (Pf)	20.0	Lumber DOL	1.15	BC	0.37	Vert(CT)	n/a	-	n/a	999		
TCDL	10.0	Rep Stress Incr	YES	WB	0.05	Horz(CT)	0.00	2	n/a	n/a		
BCLL	0.0*	Code	IRC2018/TPI2014	Matrix-MP								
BCDL	10.0										Weight: 36 lb	FT = 20%

LUMBER
 TOP CHORD 2x4 SP No.2
 BOT CHORD 2x4 SP No.2
 OTHERS 2x4 SP No.3

BRACING
 TOP CHORD
 BOT CHORD

Structural wood sheathing directly applied or 6-0-0 oc purlins.
 Rigid ceiling directly applied or 10-0-0 oc bracing.
 MiTek recommends that Stabilizers and required cross bracing be installed during truss erection, in accordance with Stabilizer Installation guide.

REACTIONS All bearings 8-4-12.
 (lb) - Max Horiz 2=-73 (LC 12), 9=-73 (LC 12)
 Max Uplift All uplift 100 (lb) or less at joint(s) 2, 5, 7, 9, 12
 Max Grav All reactions 250 (lb) or less at joint(s) 5, 12 except 2=331 (LC 21), 7=274 (LC 22), 8=265 (LC 21), 9=331 (LC 21)

FORCES (lb) - Max. Comp./Max. Ten. - All forces 250 (lb) or less except when shown.

- NOTES**
- Unbalanced roof live loads have been considered for this design.
 - Wind: ASCE 7-16; Vult=130mph (3-second gust) Vasd=103mph; TCDL=6.0psf; BCDL=6.0psf; h=25ft; Cat. II; Exp B; Enclosed; MWFRS (envelope) exterior zone and C-C Exterior(2E) 0-3-5 to 3-3-5, Exterior(2R) 3-3-5 to 6-7-11, Exterior(2E) 6-7-11 to 9-7-11 zone; cantilever left and right exposed; end vertical left and right exposed; C-C for members and forces & MWFRS for reactions shown; Lumber DOL=1.60 plate grip DOL=1.60
 - Truss designed for wind loads in the plane of the truss only. For studs exposed to wind (normal to the face), see Standard Industry Gable End Details as applicable, or consult qualified building designer as per ANSI/TPI 1.
 - TCLL: ASCE 7-16; Pr=20.0 psf (roof LL: Lum DOL=1.15 Plate DOL=1.15); Pf=20.0 psf (Lum DOL=1.15 Plate DOL=1.15); Is=1.0; Rough Cat B; Fully Exp.; Ce=0.9; Cs=1.00; Ct=1.10
 - Unbalanced snow loads have been considered for this design.
 - This truss has been designed for greater of min roof live load of 12.0 psf or 1.00 times flat roof load of 20.0 psf on overhangs non-concurrent with other live loads.
 - Gable requires continuous bottom chord bearing.
 - Gable studs spaced at 2-0-0 oc.
 - This truss has been designed for a 10.0 psf bottom chord live load nonconcurrent with any other live loads.
 - * This truss has been designed for a live load of 20.0psf on the bottom chord in all areas where a rectangle 3-06-00 tall by 2-00-00 wide will fit between the bottom chord and any other members.
 - One H2.5A Simpson Strong-Tie connectors recommended to connect truss to bearing walls due to UPLIFT at jt(s) 2, 5, and 7. This connection is for uplift only and does not consider lateral forces.
 - This truss is designed in accordance with the 2018 International Residential Code sections R502.11.1 and R802.10.2 and referenced standard ANSI/TPI 1.
 - See Standard Industry Piggyback Truss Connection Detail for Connection to base truss as applicable, or consult qualified building designer.

LOAD CASE(S) Standard

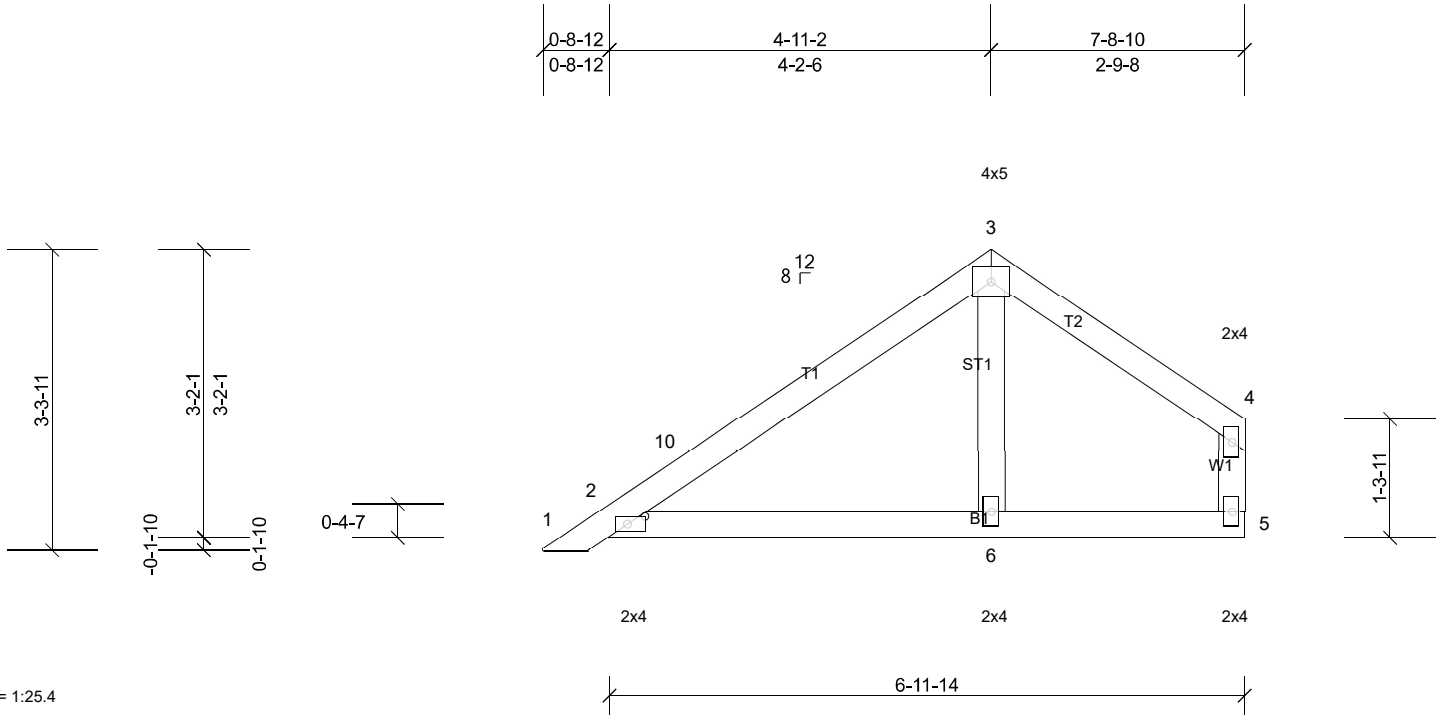
Job Trinity	Truss PB2	Truss Type Piggyback	Qty 11	Ply 1	Job Reference (optional)
----------------	--------------	-------------------------	-----------	----------	--------------------------

Carter Components, Sanford, NC, user

Run: 8.53 S Mar 28 2022 Print: 8.530 S Mar 28 2022 MiTek Industries, Inc. Thu May 19 09:11:31

Page: 1

ID: NKkmXr3qmYHESnmHFRHb4mzIECH-pvHcZdUljddABi6KSZmByeJkKQ796vzTTaSz1zF?3w



Scale = 1:25.4

Plate Offsets (X, Y): [2:0-2-5,0-1-0]

Loading	(psf)	Spacing	2-0-0	CSI	DEFL	in	(loc)	l/defl	L/d	PLATES	GRIP	
TCLL (roof)	20.0	Plate Grip DOL	1.15	TC	0.34	Vert(LL)	n/a	-	n/a	999	MT20	244/190
Snow (Pf)	20.0	Lumber DOL	1.15	BC	0.31	Vert(CT)	n/a	-	n/a	999		
TCDL	10.0	Rep Stress Incr	YES	WB	0.05	Horz(CT)	0.00	2	n/a	n/a		
BCLL	0.0*	Code	IRC2018/TPI2014	Matrix-MP								
BCDL	10.0										Weight: 30 lb	FT = 20%

LUMBER
TOP CHORD 2x4 SP No.2
BOT CHORD 2x4 SP No.2
WEBS 2x4 SP No.3
OTHERS 2x4 SP No.3

BRACING
TOP CHORD
BOT CHORD

Structural wood sheathing directly applied or 6-0-0 oc purlins, except end verticals.

Rigid ceiling directly applied or 10-0-0 oc bracing.

MiTek recommends that Stabilizers and required cross bracing be installed during truss erection, in accordance with Stabilizer Installation guide.

REACTIONS All bearings 6-11-14.
(lb) - Max Horiz 2=85 (LC 13), 7=85 (LC 13)
Max Uplift All uplift 100 (lb) or less at joint(s) 2, 5, 6, 7
Max Grav All reactions 250 (lb) or less at joint(s) 2, 5, 7 except 6=340 (LC 21)

FORCES (lb) - Max. Comp./Max. Ten. - All forces 250 (lb) or less except when shown.

NOTES

- Unbalanced roof live loads have been considered for this design.
- Wind: ASCE 7-16; Vult=130mph (3-second gust) Vasd=103mph; TCDL=6.0psf; BCDL=6.0psf; h=25ft; Cat. II; Exp B; Enclosed; MWFRS (envelope) exterior zone and C-C Exterior(2E) 0-3-5 to 3-3-5, Exterior(2R) 3-3-5 to 4-11-8, Exterior(2E) 4-11-8 to 7-7-4 zone; cantilever left and right exposed ; end vertical left and right exposed; C-C for members and forces & MWFRS for reactions shown; Lumber DOL=1.60 plate grip DOL=1.60
- Truss designed for wind loads in the plane of the truss only. For studs exposed to wind (normal to the face), see Standard Industry Gable End Details as applicable, or consult qualified building designer as per ANSI/TPI 1.
- TCLL: ASCE 7-16; Pr=20.0 psf (roof LL: Lum DOL=1.15 Plate DOL=1.15); Pf=20.0 psf (Lum DOL=1.15 Plate DOL=1.15); Is=1.0; Rough Cat B; Fully Exp.; Ce=0.9; Cs=1.00; Ct=1.10
- Unbalanced snow loads have been considered for this design.
- This truss has been designed for greater of min roof live load of 12.0 psf or 1.00 times flat roof load of 20.0 psf on overhangs non-concurrent with other live loads.
- Gable requires continuous bottom chord bearing.
- Gable studs spaced at 4-0-0 oc.
- This truss has been designed for a 10.0 psf bottom chord live load nonconcurrent with any other live loads.
- * This truss has been designed for a live load of 20.0psf on the bottom chord in all areas where a rectangle 3-06-00 tall by 2-00-00 wide will fit between the bottom chord and any other members.
- One H2.5A Simpson Strong-Tie connectors recommended to connect truss to bearing walls due to UPLIFT at jt(s) 5, 2, and 6. This connection is for uplift only and does not consider lateral forces.
- This truss is designed in accordance with the 2018 International Residential Code sections R502.11.1 and R802.10.2 and referenced standard ANSI/TPI 1.
- See Standard Industry Piggyback Truss Connection Detail for Connection to base truss as applicable, or consult qualified building designer.

LOAD CASE(S) Standard

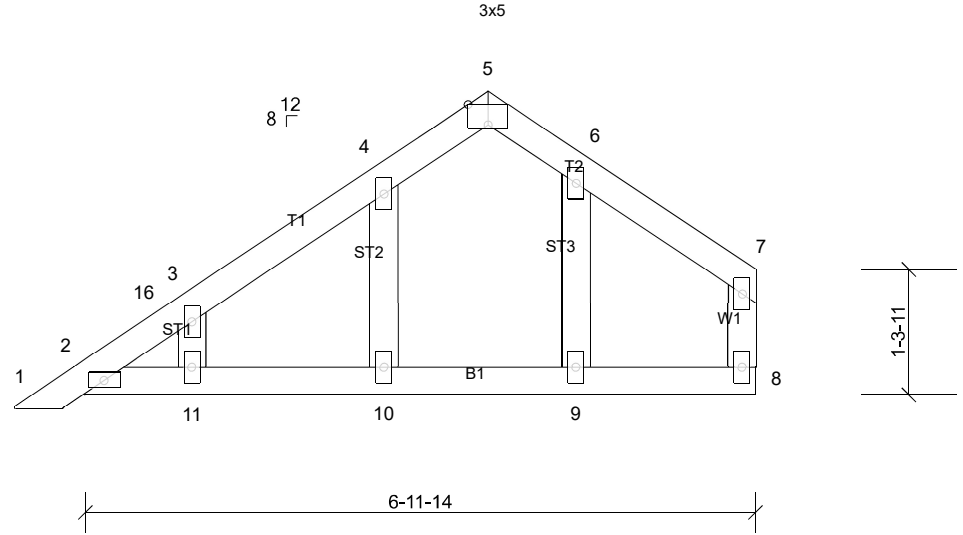
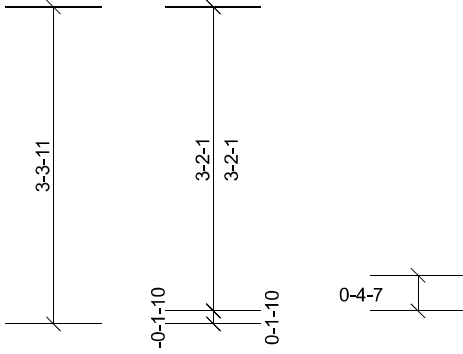
Job Trinity	Truss PB2A	Truss Type Piggyback	Qty 1	Ply 1	Job Reference (optional)
----------------	---------------	-------------------------	----------	----------	--------------------------

Carter Components, Sanford, NC, user

Run: 8.53 S Mar 28 2022 Print: 8.530 S Mar 28 2022 MiTek Industries, Inc. Thu May 19 09:11:31

Page: 1

ID: NKKmXr3qmYHESnmHFRHb4mzIECH-pvHcZdUljddABl6KSZmByeJo4QBY6vztTTaSz1zF?3w



Scale = 1:24

Plate Offsets (X, Y): [5:0-2-8,Edge]

Loading	(psf)	Spacing	2-0-0	CSI	DEFL	in	(loc)	l/defl	L/d	PLATES	GRIP	
TCLL (roof)	20.0	Plate Grip DOL	1.15	TC	0.10	Vert(LL)	n/a	-	n/a	999	MT20	244/190
Snow (Pf)	20.0	Lumber DOL	1.15	BC	0.03	Vert(CT)	n/a	-	n/a	999		
TCDL	10.0	Rep Stress Incr	YES	WB	0.05	Horz(CT)	n/a	-	n/a	n/a		
BCLL	0.0*	Code	IRC2018/TPI2014	Matrix-MP								
BCDL	10.0										Weight: 32 lb	FT = 20%

LUMBER
TOP CHORD 2x4 SP No.2
BOT CHORD 2x4 SP No.2
WEBS 2x4 SP No.3
OTHERS 2x4 SP No.3

BRACING
TOP CHORD
BOT CHORD

Structural wood sheathing directly applied or 6-0-0 oc purlins, except end verticals.

Rigid ceiling directly applied or 10-0-0 oc bracing.

MiTek recommends that Stabilizers and required cross bracing be installed during truss erection, in accordance with Stabilizer Installation guide.

REACTIONS All bearings 6-11-14.
(lb) - Max Horiz 2=85 (LC 13), 12=85 (LC 13)
Max Uplift All uplift 100 (lb) or less at joint(s) 2, 8, 10, 11, 12
Max Grav All reactions 250 (lb) or less at joint(s) 2, 8, 9, 10, 11, 12

FORCES (lb) - Max. Comp./Max. Ten. - All forces 250 (lb) or less except when shown.

- NOTES**
- Unbalanced roof live loads have been considered for this design.
 - Wind: ASCE 7-16; Vult=130mph (3-second gust) Vasd=103mph; TCDL=6.0psf; BCDL=6.0psf; h=25ft; Cat. II; Exp B; Enclosed; MWFRS (envelope) exterior zone and C-C Exterior(2E) 0-3-5 to 3-3-5, Exterior(2R) 3-3-5 to 4-11-8, Exterior(2E) 4-11-8 to 7-7-4 zone; cantilever left and right exposed; end vertical left and right exposed; C-C for members and forces & MWFRS for reactions shown; Lumber DOL=1.60 plate grip DOL=1.60
 - Truss designed for wind loads in the plane of the truss only. For studs exposed to wind (normal to the face), see Standard Industry Gable End Details as applicable, or consult qualified building designer as per ANSI/TPI 1.
 - TCLL: ASCE 7-16; Pr=20.0 psf (roof LL: Lum DOL=1.15 Plate DOL=1.15); Pf=20.0 psf (Lum DOL=1.15 Plate DOL=1.15); Is=1.0; Rough Cat B; Fully Exp.; Ce=0.9; Cs=1.00; Ct=1.10
 - Unbalanced snow loads have been considered for this design.
 - This truss has been designed for greater of min roof live load of 12.0 psf or 1.00 times flat roof load of 20.0 psf on overhangs non-concurrent with other live loads.
 - All plates are 2x4 MT20 unless otherwise indicated.
 - Gable requires continuous bottom chord bearing.
 - Gable studs spaced at 2-0-0 oc.
 - This truss has been designed for a 10.0 psf bottom chord live load nonconcurrent with any other live loads.
 - * This truss has been designed for a live load of 20.0psf on the bottom chord in all areas where a rectangle 3-06-00 tall by 2-00-00 wide will fit between the bottom chord and any other members.
 - One H2.5A Simpson Strong-Tie connectors recommended to connect truss to bearing walls due to UPLIFT at jt(s) 8, 2, 10, and 11. This connection is for uplift only and does not consider lateral forces.
 - This truss is designed in accordance with the 2018 International Residential Code sections R502.11.1 and R802.10.2 and referenced standard ANSI/TPI 1.
 - See Standard Industry Piggyback Truss Connection Detail for Connection to base truss as applicable, or consult qualified building designer.

LOAD CASE(S) Standard

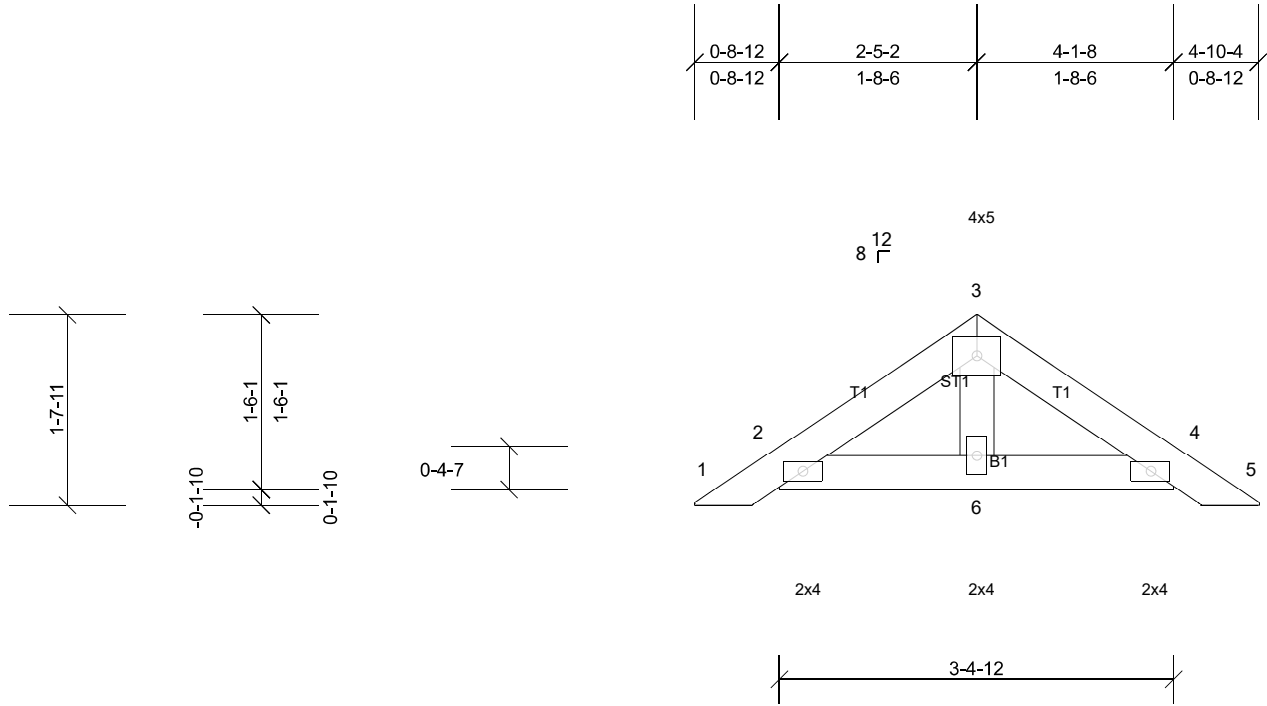
Job Trinity	Truss PB3	Truss Type Piggyback	Qty 1	Ply 1	Job Reference (optional)
----------------	--------------	-------------------------	----------	----------	--------------------------

Carter Components, Sanford, NC, user

Run: 8.53 S Mar 28 2022 Print: 8.530 S Mar 28 2022 MiTek Industries, Inc. Thu May 19 09:11:32

Page: 1

ID:v8AOJV2C?E9NqdB5hjmMYZlECI-H5r?mzVOUw1ovhW0GHQVsr_nqXSrMs1h7J?VTzF?3v



Scale = 1:19.9

Loading	(psf)	Spacing	2-0-0	CSI	0.04	DEFL	in (loc)	l/defl	L/d	PLATES	GRIP	
TCLL (roof)	20.0	Plate Grip DOL	1.15	TC	0.04	Vert(LL)	n/a	-	n/a	999	MT20	244/190
Snow (Pf)	20.0	Lumber DOL	1.15	BC	0.05	Vert(CT)	n/a	-	n/a	999		
TCDL	10.0	Rep Stress Incr	YES	WB	0.01	Horz(CT)	n/a	-	n/a	n/a		
BCLL	0.0*	Code	IRC2018/TPI2014	Matrix-MP							Weight: 15 lb	FT = 20%
BCDL	10.0											

LUMBER
 TOP CHORD 2x4 SP No.2
 BOT CHORD 2x4 SP No.2
 OTHERS 2x4 SP No.3

BRACING
 TOP CHORD
 BOT CHORD

Structural wood sheathing directly applied or 4-11-0 oc purlins.
 Rigid ceiling directly applied or 10-0-0 oc bracing.

MiTek recommends that Stabilizers and required cross bracing be installed during truss erection, in accordance with Stabilizer Installation guide.

REACTIONS All bearings 3-4-12.
 (lb) - Max Horiz 2=34 (LC 13), 7=34 (LC 13)
 Max Uplift All uplift 100 (lb) or less at joint(s) 2, 4, 6, 7, 11
 Max Grav All reactions 250 (lb) or less at joint(s) 2, 4, 6, 7, 11

FORCES (lb) - Max. Comp./Max. Ten. - All forces 250 (lb) or less except when shown.

- NOTES**
- Unbalanced roof live loads have been considered for this design.
 - Wind: ASCE 7-16; Vult=130mph (3-second gust) Vasd=103mph; TCDL=6.0psf; BCDL=6.0psf; h=25ft; Cat. II; Exp B; Enclosed; MWFRS (envelope) exterior zone and C-C Exterior(2E) zone; cantilever left and right exposed; end vertical left and right exposed; C-C for members and forces & MWFRS for reactions shown; Lumber DOL=1.60 plate grip DOL=1.60
 - Truss designed for wind loads in the plane of the truss only. For studs exposed to wind (normal to the face), see Standard Industry Gable End Details as applicable, or consult qualified building designer as per ANSI/TPI 1.
 - TCLL: ASCE 7-16; Pr=20.0 psf (roof LL: Lum DOL=1.15 Plate DOL=1.15); Pf=20.0 psf (Lum DOL=1.15 Plate DOL=1.15); Is=1.0; Rough Cat B; Fully Exp.; Ce=0.9; Cs=1.00; Ct=1.10
 - Unbalanced snow loads have been considered for this design.
 - This truss has been designed for greater of min roof live load of 12.0 psf or 1.00 times flat roof load of 20.0 psf on overhangs non-concurrent with other live loads.
 - Gable requires continuous bottom chord bearing.
 - Gable studs spaced at 2-0-0 oc.
 - This truss has been designed for a 10.0 psf bottom chord live load nonconcurrent with any other live loads.
 - * This truss has been designed for a live load of 20.0psf on the bottom chord in all areas where a rectangle 3-06-00 tall by 2-00-00 wide will fit between the bottom chord and any other members.
 - One H2.5A Simpson Strong-Tie connectors recommended to connect truss to bearing walls due to UPLIFT at jt(s) 2, 4, and 6. This connection is for uplift only and does not consider lateral forces.
 - This truss is designed in accordance with the 2018 International Residential Code sections R502.11.1 and R802.10.2 and referenced standard ANSI/TPI 1.
 - See Standard Industry Piggyback Truss Connection Detail for Connection to base truss as applicable, or consult qualified building designer.

LOAD CASE(S) Standard

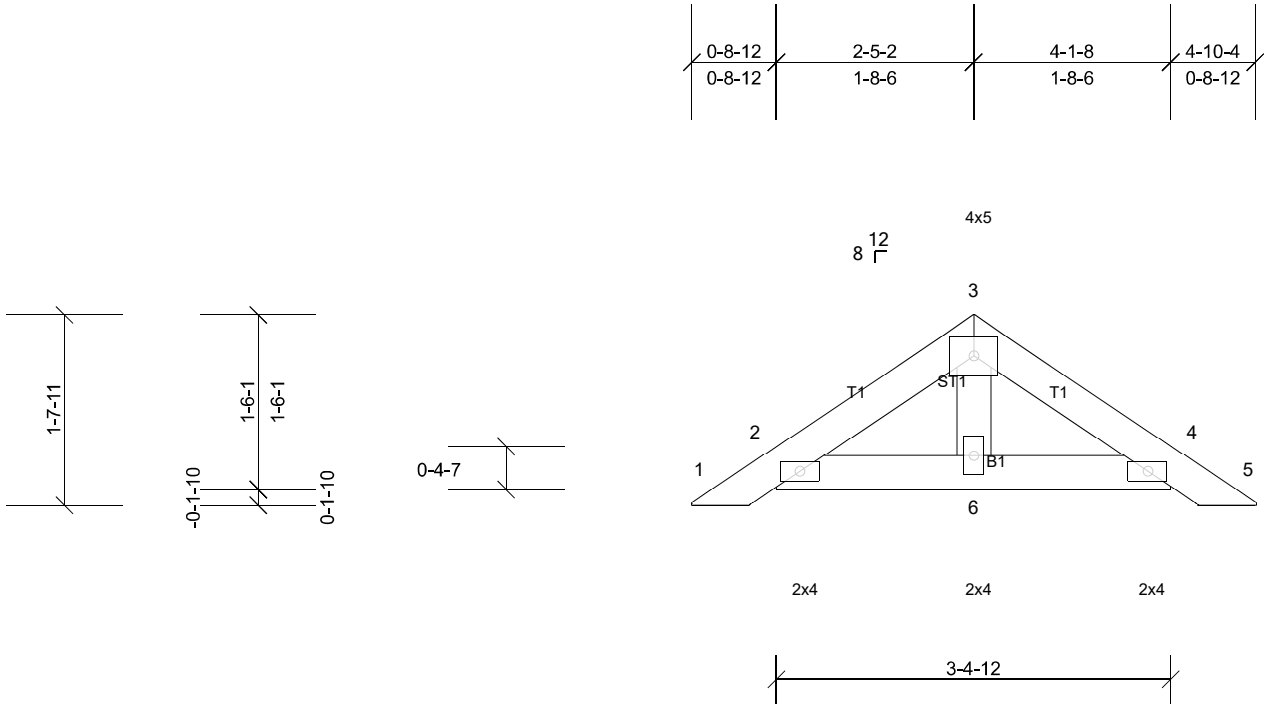
Job Trinity	Truss PB3A	Truss Type Piggyback	Qty 6	Ply 1	Job Reference (optional)
----------------	---------------	-------------------------	----------	----------	--------------------------

Carter Components, Sanford, NC, user

Run: 8.53 S Mar 28 2022 Print: 8.530 S Mar 28 2022 MiTek Industries, Inc. Thu May 19 09:11:32

Page: 1

ID:v8AOJV2C?E9NqdB5hjmMYZlECI-H5r?mzVOUw1ovhW0GHQVsr_nqXSrMs1h7J?VTzF?3v



Scale = 1:19.9

Loading	(psf)	Spacing	2-0-0	CSI	0.04	DEFL	in (loc)	l/defl	L/d	PLATES	GRIP	
TCLL (roof)	20.0	Plate Grip DOL	1.15	TC	0.04	Vert(LL)	n/a	-	n/a	999	MT20	244/190
Snow (Pf)	20.0	Lumber DOL	1.15	BC	0.05	Vert(CT)	n/a	-	n/a	999		
TCDL	10.0	Rep Stress Incr	YES	WB	0.01	Horz(CT)	n/a	-	n/a	n/a		
BCLL	0.0*	Code	IRC2018/TPI2014	Matrix-MP								
BCDL	10.0										Weight: 15 lb	FT = 20%

LUMBER
TOP CHORD 2x4 SP No.2
BOT CHORD 2x4 SP No.2
OTHERS 2x4 SP No.3

BRACING
TOP CHORD
BOT CHORD

Structural wood sheathing directly applied or 4-11-0 oc purlins.
Rigid ceiling directly applied or 10-0-0 oc bracing.

MiTek recommends that Stabilizers and required cross bracing be installed during truss erection, in accordance with Stabilizer Installation guide.

REACTIONS All bearings 3-4-12.
(lb) - Max Horiz 2=34 (LC 13), 7=34 (LC 13)
Max Uplift All uplift 100 (lb) or less at joint(s) 2, 4, 6, 7, 11
Max Grav All reactions 250 (lb) or less at joint(s) 2, 4, 6, 7, 11

FORCES (lb) - Max. Comp./Max. Ten. - All forces 250 (lb) or less except when shown.

- NOTES**
- Unbalanced roof live loads have been considered for this design.
 - Wind: ASCE 7-16; Vult=130mph (3-second gust) Vasd=103mph; TCDL=6.0psf; BCDL=6.0psf; h=25ft; Cat. II; Exp B; Enclosed; MWFRS (envelope) exterior zone and C-C Exterior(2E) zone; cantilever left and right exposed; end vertical left and right exposed; C-C for members and forces & MWFRS for reactions shown; Lumber DOL=1.60 plate grip DOL=1.60
 - Truss designed for wind loads in the plane of the truss only. For studs exposed to wind (normal to the face), see Standard Industry Gable End Details as applicable, or consult qualified building designer as per ANSI/TPI 1.
 - TCLL: ASCE 7-16; Pr=20.0 psf (roof LL: Lum DOL=1.15 Plate DOL=1.15); Pf=20.0 psf (Lum DOL=1.15 Plate DOL=1.15); Is=1.0; Rough Cat B; Fully Exp.; Ce=0.9; Cs=1.00; Ct=1.10
 - Unbalanced snow loads have been considered for this design.
 - This truss has been designed for greater of min roof live load of 12.0 psf or 1.00 times flat roof load of 20.0 psf on overhangs non-concurrent with other live loads.
 - Gable requires continuous bottom chord bearing.
 - Gable studs spaced at 4-0-0 oc.
 - This truss has been designed for a 10.0 psf bottom chord live load nonconcurrent with any other live loads.
 - * This truss has been designed for a live load of 20.0psf on the bottom chord in all areas where a rectangle 3-06-00 tall by 2-00-00 wide will fit between the bottom chord and any other members.
 - One H2.5A Simpson Strong-Tie connectors recommended to connect truss to bearing walls due to UPLIFT at jt(s) 2, 4, and 6. This connection is for uplift only and does not consider lateral forces.
 - This truss is designed in accordance with the 2018 International Residential Code sections R502.11.1 and R802.10.2 and referenced standard ANSI/TPI 1.
 - See Standard Industry Piggyback Truss Connection Detail for Connection to base truss as applicable, or consult qualified building designer.

LOAD CASE(S) Standard

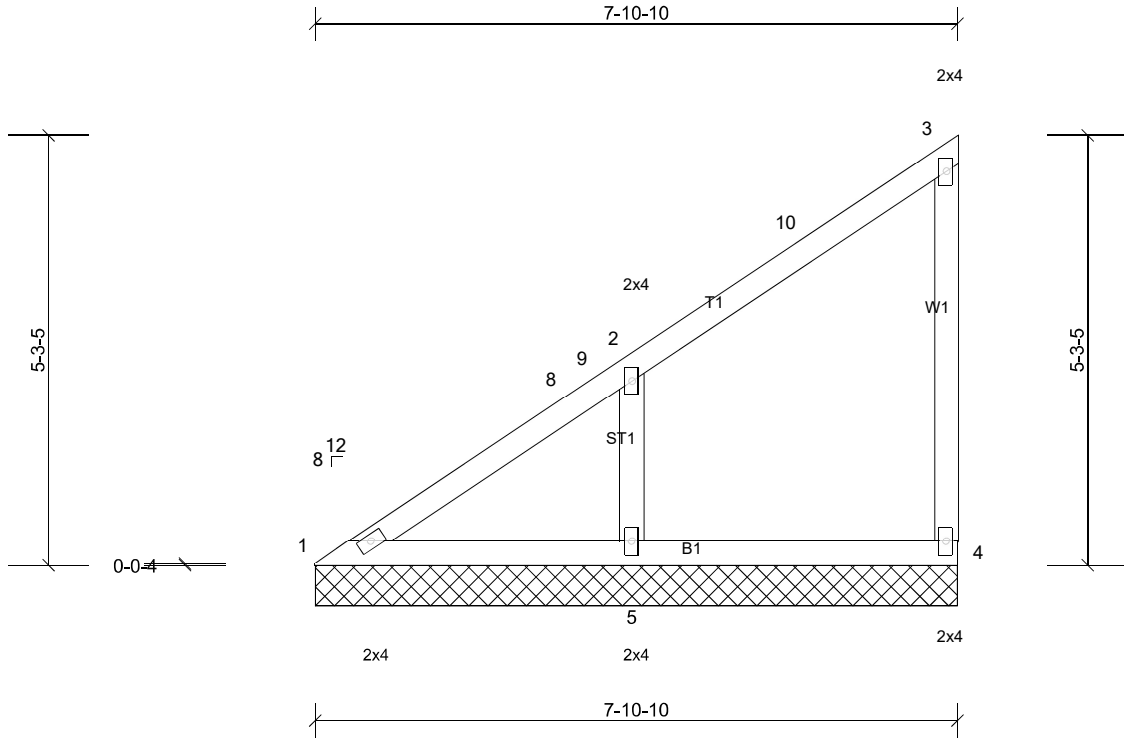
Job Trinity	Truss V1	Truss Type Valley	Qty 1	Ply 1	Job Reference (optional)
----------------	-------------	----------------------	----------	----------	--------------------------

Carter Components, Sanford, NC, user

Run: 8.53 S Mar 28 2022 Print: 8.530 S Mar 28 2022 MiTek Industries, Inc. Thu May 19 09:11:32

Page: 1

ID:7MP7qMZnc3m27yyckXsH9XzIEa9-H5r?mzVOUw1ovhW0GHQVsrJqV2rLb1h7J?VTzF?3v



Scale = 1:28.3

Loading	(psf)	Spacing	2-0-0	CSI		DEFL	in	(loc)	l/defl	L/d	PLATES	GRIP
TCLL (roof)	20.0	Plate Grip DOL	1.15	TC	0.39	Vert(LL)	n/a	-	n/a	999	MT20	244/190
Snow (Pf)	20.0	Lumber DOL	1.15	BC	0.14	Vert(TL)	n/a	-	n/a	999		
TCDL	10.0	Rep Stress Incr	YES	WB	0.09	Horiz(TL)	0.00	4	n/a	n/a		
BCLL	0.0*	Code	IRC2018/TPI2014	Matrix-MP							Weight: 35 lb	FT = 20%
BCDL	10.0											

LUMBER
TOP CHORD 2x4 SP No.2
BOT CHORD 2x4 SP No.2
WEBS 2x4 SP No.3
OTHERS 2x4 SP No.3

BRACING
TOP CHORD
BOT CHORD

Structural wood sheathing directly applied or 6'-0" oc purlins, except end verticals.

Rigid ceiling directly applied or 10'-0" oc bracing.

MiTek recommends that Stabilizers and required cross bracing be installed during truss erection, in accordance with Stabilizer Installation guide.

REACTIONS (lb/size) 1=117/7-10-10, (min. 0-1-8), 4=116/7-10-10, (min. 0-1-8),
5=386/7-10-10, (min. 0-1-8)
Max Horiz 1=177 (LC 11)
Max Uplift 4=-34 (LC 11), 5=-120 (LC 14)
Max Grav 1=142 (LC 24), 4=184 (LC 20), 5=515 (LC 20)

FORCES (lb) - Max. Comp./Max. Ten. - All forces 250 (lb) or less except when shown.
WEBS 2-5=-409/227

NOTES

- 1) Wind: ASCE 7-16; Vult=130mph (3-second gust) Vasd=103mph; TCDL=6.0psf; BCDL=6.0psf; h=25ft; Cat. II; Exp B; Enclosed; MWFRS (envelope) exterior zone and C-C Exterior(2E) 0-0-6 to 3-0-6, Interior (1) 3-0-6 to 3-6-5, Exterior(2R) 3-6-5 to 7-9-4 zone; cantilever left and right exposed; end vertical left and right exposed; C-C for members and forces & MWFRS for reactions shown; Lumber DOL=1.60 plate grip DOL=1.60
- 2) TCLL: ASCE 7-16; Pr=20.0 psf (roof LL: Lum DOL=1.15 Plate DOL=1.15); Pf=20.0 psf (Lum DOL=1.15 Plate DOL=1.15); Is=1.0; Rough Cat B; Fully Exp.; Ce=0.9; Cs=1.00; Ct=1.10
- 3) Unbalanced snow loads have been considered for this design.
- 4) Gable requires continuous bottom chord bearing.
- 5) This truss has been designed for a 10.0 psf bottom chord live load nonconcurrent with any other live loads.
- 6) * This truss has been designed for a live load of 20.0psf on the bottom chord in all areas where a rectangle 3'-06"-00 tall by 2'-00"-00 wide will fit between the bottom chord and any other members.
- 7) Provide mechanical connection (by others) of truss to bearing plate capable of withstanding 34 lb uplift at joint 4 and 120 lb uplift at joint 5.
- 8) This truss is designed in accordance with the 2018 International Residential Code sections R502.11.1 and R802.10.2 and referenced standard ANSI/TPI 1.

LOAD CASE(S) Standard

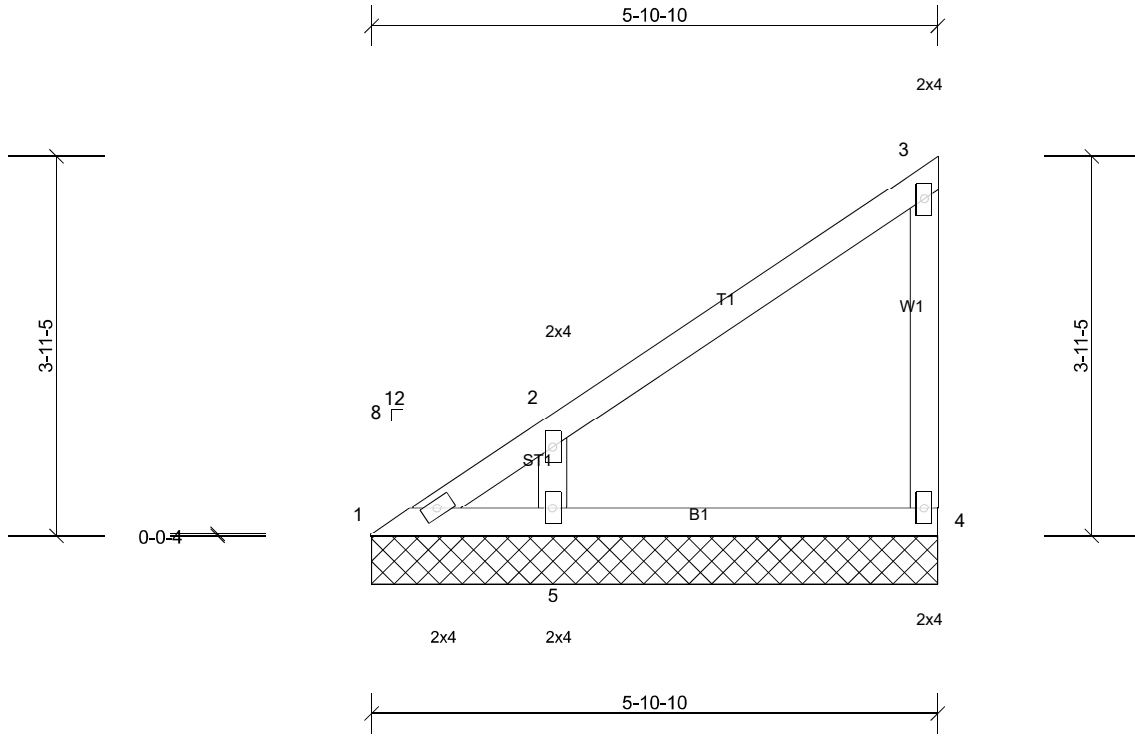
Job Trinity	Truss V2	Truss Type Valley	Qty 1	Ply 1	Job Reference (optional)
----------------	-------------	----------------------	----------	----------	--------------------------

Carter Components, Sanford, NC, user

Run: 8.53 S Mar 28 2022 Print: 8.530 S Mar 28 2022 MiTek Industries, Inc. Thu May 19 09:11:32

Page: 1

ID:PiKmlfmdf2T1_yeVUwx0zIEa2-H5r?mzVOUw1ovhW0GHQVsrEqWNRlb1h7J?VTzF?3v



Scale = 1:23.9

Loading	(psf)	Spacing	2-0-0	CSI		DEFL	in	(loc)	l/defl	L/d	PLATES	GRIP
TCLL (roof)	20.0	Plate Grip DOL	1.15	TC	0.33	Vert(LL)	n/a	-	n/a	999	MT20	244/190
Snow (Pf)	20.0	Lumber DOL	1.15	BC	0.12	Vert(TL)	n/a	-	n/a	999		
TCDL	10.0	Rep Stress Incr	YES	WB	0.09	Horiz(TL)	0.00	4	n/a	n/a		
BCLL	0.0*	Code	IRC2018/TPI2014	Matrix-MP							Weight: 24 lb	FT = 20%
BCDL	10.0											

LUMBER
TOP CHORD 2x4 SP No.2
BOT CHORD 2x4 SP No.2
WEBS 2x4 SP No.3
OTHERS 2x4 SP No.3

BRACING
TOP CHORD
BOT CHORD

Structural wood sheathing directly applied or 5-10-10 oc purlins, except end verticals.
Rigid ceiling directly applied or 10-0-0 oc bracing.

REACTIONS (lb/size) 1=16/5-10-10, (min. 0-1-8), 4=125/5-10-10, (min. 0-1-8), 5=318/5-10-10, (min. 0-1-8)
Max Horiz 1=129 (LC 11)
Max Uplift 1=-27 (LC 12), 4=-28 (LC 11), 5=-101 (LC 14)
Max Grav 1=62 (LC 11), 4=190 (LC 20), 5=469 (LC 20)

MiTek recommends that Stabilizers and required cross bracing be installed during truss erection, in accordance with Stabilizer Installation guide.

FORCES (lb) - Max. Comp./Max. Ten. - All forces 250 (lb) or less except when shown.
WEBS 2-5=-434/259

- NOTES**
- 1) Wind: ASCE 7-16; Vult=130mph (3-second gust) Vasd=103mph; TCDL=6.0psf; BCDL=6.0psf; h=25ft; Cat. II; Exp B; Enclosed; MWFRS (envelope) exterior zone and C-C Exterior(2E) zone; cantilever left and right exposed ; end vertical left and right exposed;C-C for members and forces & MWFRS for reactions shown; Lumber DOL=1.60 plate grip DOL=1.60
 - 2) TCLL: ASCE 7-16; Pr=20.0 psf (roof LL: Lum DOL=1.15 Plate DOL=1.15); Pf=20.0 psf (Lum DOL=1.15 Plate DOL=1.15); Is=1.0; Rough Cat B; Fully Exp.; Ce=0.9; Cs=1.00; Ct=1.10
 - 3) Unbalanced snow loads have been considered for this design.
 - 4) Gable requires continuous bottom chord bearing.
 - 5) This truss has been designed for a 10.0 psf bottom chord live load nonconcurrent with any other live loads.
 - 6) * This truss has been designed for a live load of 20.0psf on the bottom chord in all areas where a rectangle 3-06-00 tall by 2-00-00 wide will fit between the bottom chord and any other members.
 - 7) Provide mechanical connection (by others) of truss to bearing plate capable of withstanding 28 lb uplift at joint 4, 27 lb uplift at joint 1 and 101 lb uplift at joint 5.
 - 8) This truss is designed in accordance with the 2018 International Residential Code sections R502.11.1 and R802.10.2 and referenced standard ANSI/TPI 1.

LOAD CASE(S) Standard

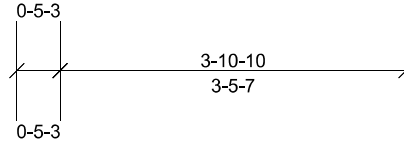
Job Trinity	Truss V3	Truss Type Valley	Qty 1	Ply 1	Job Reference (optional)
----------------	-------------	----------------------	----------	----------	--------------------------

Carter Components, Sanford, NC, user

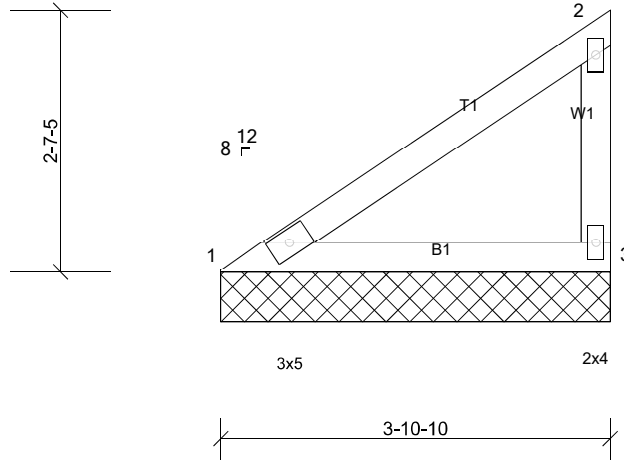
Run: 8.53 S Mar 28 2022 Print: 8.530 S Mar 28 2022 MiTek Industries, Inc. Thu May 19 09:11:32

Page: 1

ID:i3FPm8k9JMX3p60JYT6ZjUzIEZx-H5r?mzVOUw1ovhW0GHQVsrwAqTYrM?1h7J?VTzF?3v



2x4



Scale = 1:23

Loading	(psf)	Spacing	2-0-0	CSI	DEFL	in	(loc)	l/defl	L/d	PLATES	GRIP	
TCLL (roof)	20.0	Plate Grip DOL	1.15	TC	0.27	Vert(LL)	n/a	-	n/a	999	MT20	244/190
Snow (Pf)	20.0	Lumber DOL	1.15	BC	0.30	Vert(TL)	n/a	-	n/a	999		
TCDL	10.0	Rep Stress Incr	YES	WB	0.00	Horiz(TL)	0.00	3	n/a	n/a		
BCLL	0.0*	Code	IRC2018/TPI2014	Matrix-MP								
BCDL	10.0										Weight: 15 lb	FT = 20%

LUMBER

TOP CHORD 2x4 SP No.2
 BOT CHORD 2x4 SP No.2
 WEBS 2x4 SP No.3

BRACING

TOP CHORD
 BOT CHORD

Structural wood sheathing directly applied or 3-10-10 oc purlins, except end verticals.
 Rigid ceiling directly applied or 10-0-0 oc bracing.

REACTIONS (lb/size) 1=150/3-10-10, (min. 0-1-8), 3=150/3-10-10, (min. 0-1-8)
 Max Horiz 1=82 (LC 11)
 Max Uplift 1=-10 (LC 14), 3=-38 (LC 14)
 Max Grav 1=216 (LC 20), 3=216 (LC 20)

MiTek recommends that Stabilizers and required cross bracing be installed during truss erection, in accordance with Stabilizer Installation guide.

FORCES (lb) - Max. Comp./Max. Ten. - All forces 250 (lb) or less except when shown.
 TOP CHORD 1-2=-296/66

NOTES

- Wind: ASCE 7-16; Vult=130mph (3-second gust) Vasd=103mph; TCDL=6.0psf; BCDL=6.0psf; h=25ft; Cat. II; Exp B; Enclosed; MWFRS (envelope) exterior zone and C-C Exterior(2E) zone; cantilever left and right exposed; end vertical left and right exposed; C-C for members and forces & MWFRS for reactions shown; Lumber DOL=1.60 plate grip DOL=1.60
- TCLL: ASCE 7-16; Pr=20.0 psf (roof LL: Lum DOL=1.15 Plate DOL=1.15); Pf=20.0 psf (Lum DOL=1.15 Plate DOL=1.15); Is=1.0; Rough Cat B; Fully Exp.; Ce=0.9; Cs=1.00; Ct=1.10
- Unbalanced snow loads have been considered for this design.
- Gable requires continuous bottom chord bearing.
- This truss has been designed for a 10.0 psf bottom chord live load nonconcurrent with any other live loads.
- * This truss has been designed for a live load of 20.0psf on the bottom chord in all areas where a rectangle 3-06-00 tall by 2-00-00 wide will fit between the bottom chord and any other members.
- Provide mechanical connection (by others) of truss to bearing plate capable of withstanding 38 lb uplift at joint 3 and 10 lb uplift at joint 1.
- This truss is designed in accordance with the 2018 International Residential Code sections R502.11.1 and R802.10.2 and referenced standard ANSI/TPI 1.

LOAD CASE(S) Standard

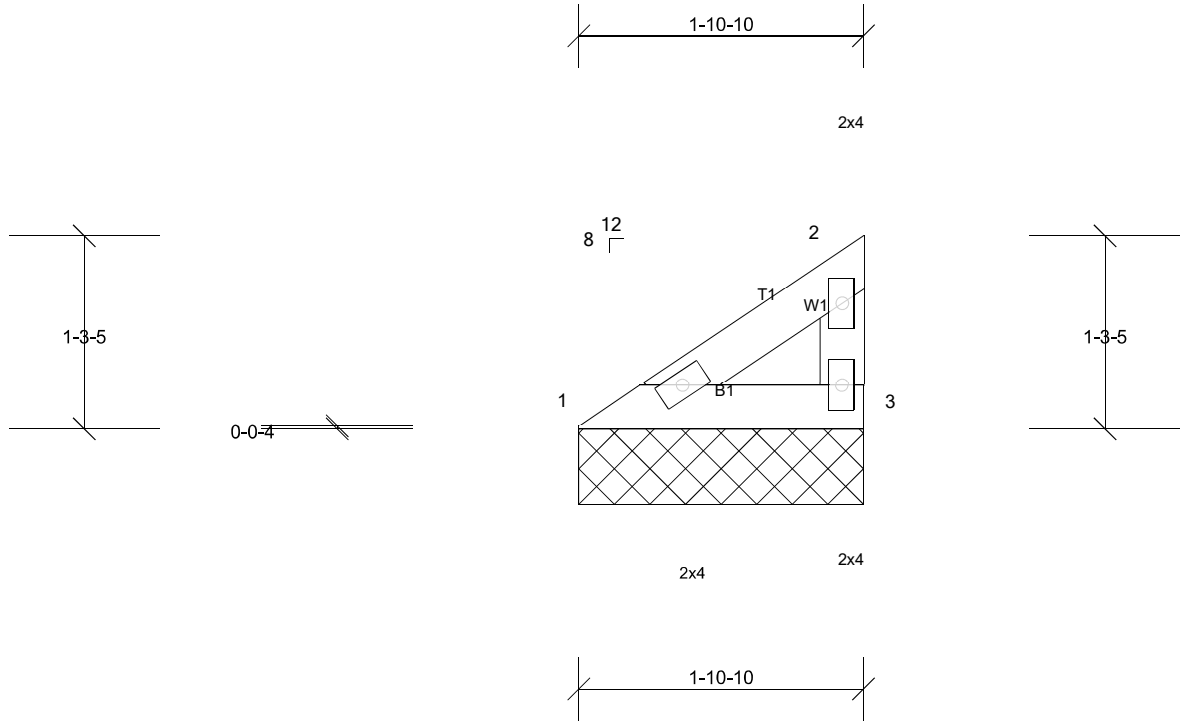
Job Trinity	Truss V4	Truss Type Valley	Qty 1	Ply 1	Job Reference (optional)
----------------	-------------	----------------------	----------	----------	--------------------------

Carter Components, Sanford, NC, user

Run: 8.53 S Mar 28 2022 Print: 8.530 S Mar 28 2022 MiTek Industries, Inc. Thu May 19 09:11:32

Page: 1

ID:XDch1CpVvCHCX1USvjDzzlzlEzr-H5r?mzVOUw1ovhW0GHQVsr_xqXSrM?1h7J?VTzF?3v



Scale = 1:15.3

Loading	(psf)	Spacing	2-0-0	CSI	DEFL	in	(loc)	l/defl	L/d	PLATES	GRIP	
TCLL (roof)	20.0	Plate Grip DOL	1.15	TC	0.03	Vert(LL)	n/a	-	n/a	999	MT20	244/190
Snow (Pf)	20.0	Lumber DOL	1.15	BC	0.05	Vert(TL)	n/a	-	n/a	999		
TCDL	10.0	Rep Stress Incr	YES	WB	0.00	Horiz(TL)	n/a	-	n/a	n/a		
BCLL	0.0*	Code	IRC2018/TPI2014	Matrix-MP								
BCDL	10.0										Weight: 6 lb	FT = 20%

LUMBER

TOP CHORD 2x4 SP No.2
 BOT CHORD 2x4 SP No.2
 WEBS 2x4 SP No.3

BRACING

TOP CHORD Structural wood sheathing directly applied or 1-10-10 oc purlins, except end verticals.
 BOT CHORD Rigid ceiling directly applied or 10-0-0 oc bracing.

REACTIONS (lb/size) 1=70/1-10-10, (min. 0-1-8), 3=70/1-10-10, (min. 0-1-8)
 Max Horiz 1=34 (LC 11)
 Max Uplift 1=-5 (LC 14), 3=-17 (LC 14)
 Max Grav 1=91 (LC 20), 3=91 (LC 20)

MiTek recommends that Stabilizers and required cross bracing be installed during truss erection, in accordance with Stabilizer Installation guide.

FORCES (lb) - Max. Comp./Max. Ten. - All forces 250 (lb) or less except when shown.

NOTES

- Wind: ASCE 7-16; Vult=130mph (3-second gust) Vasd=103mph; TCDL=6.0psf; BCDL=6.0psf; h=25ft; Cat. II; Exp B; Enclosed; MWFRS (envelope) exterior zone and C-C Exterior(2E) zone; cantilever left and right exposed; end vertical left and right exposed; C-C for members and forces & MWFRS for reactions shown; Lumber DOL=1.60 plate grip DOL=1.60
- TCLL: ASCE 7-16; Pr=20.0 psf (roof LL: Lum DOL=1.15 Plate DOL=1.15); Pf=20.0 psf (Lum DOL=1.15 Plate DOL=1.15); Is=1.0; Rough Cat B; Fully Exp.; Ce=0.9; Cs=1.00; Ct=1.10
- Unbalanced snow loads have been considered for this design.
- Gable requires continuous bottom chord bearing.
- This truss has been designed for a 10.0 psf bottom chord live load nonconcurrent with any other live loads.
- * This truss has been designed for a live load of 20.0psf on the bottom chord in all areas where a rectangle 3-06-00 tall by 2-00-00 wide will fit between the bottom chord and any other members.
- Provide mechanical connection (by others) of truss to bearing plate capable of withstanding 17 lb uplift at joint 3 and 5 lb uplift at joint 1.
- This truss is designed in accordance with the 2018 International Residential Code sections R502.11.1 and R802.10.2 and referenced standard ANSI/TPI 1.

LOAD CASE(S) Standard

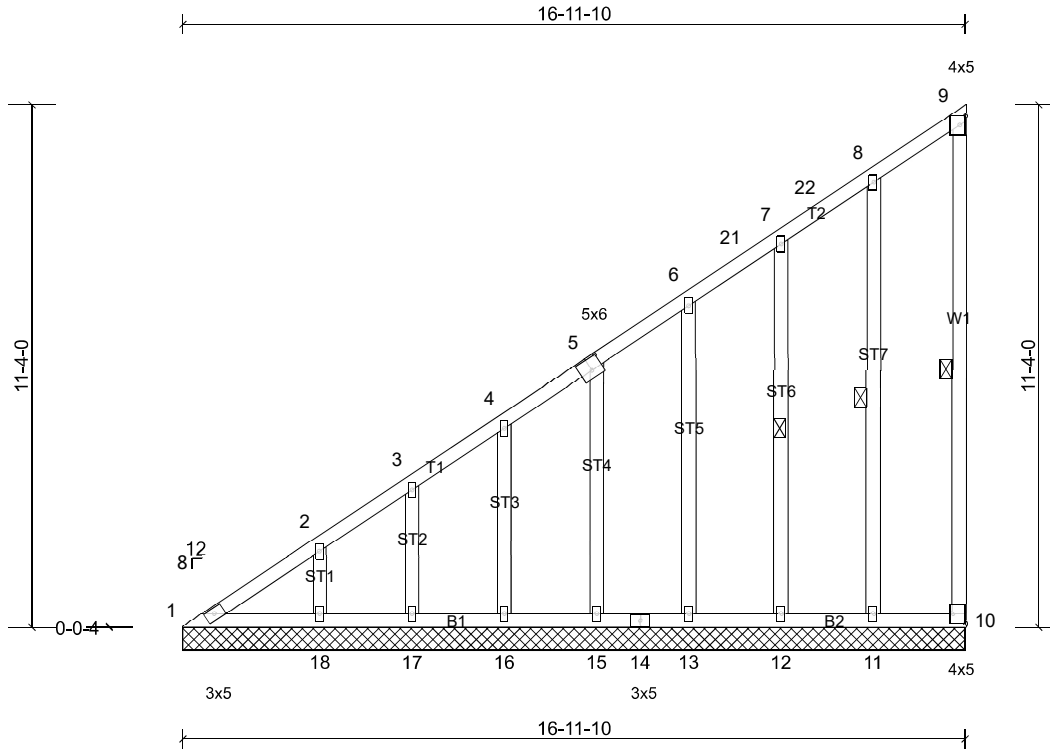
Job Trinity	Truss V11	Truss Type Valley	Qty 1	Ply 1	Job Reference (optional)
----------------	--------------	----------------------	----------	----------	--------------------------

Carter Components, Sanford, NC, user

Run: 8.53 S Mar 28 2022 Print: 8.530 S Mar 28 2022 MiTek Industries, Inc. Thu May 19 09:11:33

Page: 1

ID: _ACbvreVtFP5j8dmhIFkDBzHxvn-mHPNzJW0FEtuQ3Gia_of13OzLEnOanEAwn3Y1wzF?3u



Scale = 1:50

Plate Offsets (X, Y): [5:0-3-0,0-3-0], [10:Edge,0-3-8]

Loading	(psf)	Spacing	2-0-0	CSI	0.82	DEFL	in	(loc)	l/defl	L/d	PLATES	GRIP
TCLL (roof)	20.0	Plate Grip DOL	1.15	TC	0.82	Vert(LL)	n/a	-	n/a	999	MT20	244/190
Snow (Pf)	20.0	Lumber DOL	1.15	BC	0.39	Vert(TL)	n/a	-	n/a	999		
TCDL	10.0	Rep Stress Incr	YES	WB	0.13	Horiz(TL)	0.00	10	n/a	n/a		
BCLL	0.0*	Code	IRC2018/TPI2014	Matrix-MSH								
BCDL	10.0											
											Weight: 127 lb	FT = 20%

LUMBER

TOP CHORD 2x4 SP No.2
 BOT CHORD 2x4 SP No.2
 WEBS 2x4 SP No.2
 OTHERS 2x4 SP No.3

BRACING

TOP CHORD
 BOT CHORD
 WEBS

Structural wood sheathing directly applied or 6'-0-0 oc purlins, except end verticals.
 Rigid ceiling directly applied or 10'-0-0 oc bracing.
 1 Row at midpt 9-10, 8-11, 7-12

REACTIONS All bearings 16-11-10.

(lb) - Max Horiz 1=394 (LC 11)
 Max Uplift All uplift 100 (lb) or less at joint(s) 1, 10, 11, 12, 13, 15, 16, 17, 18
 Max Grav All reactions 250 (lb) or less at joint(s) 1, 10, 12, 13, 15, 16, 17, 18 except 11=256 (LC 20)

MiTek recommends that Stabilizers and required cross bracing be installed during truss erection, in accordance with Stabilizer Installation guide.

FORCES

(lb) - Max. Comp./Max. Ten. - All forces 250 (lb) or less except when shown.
 TOP CHORD 1-2=-348/231, 2-3=-319/198, 3-4=-283/180, 4-5=-252/159

NOTES

- Wind: ASCE 7-16; Vult=130mph (3-second gust) Vasd=103mph; TCDL=6.0psf; BCDL=6.0psf; h=25ft; Cat. II; Exp B; Enclosed; MWFRS (envelope) exterior zone and C-C Corner(3E) 0-0-6 to 3-0-0, Exterior(2N) 3-0-0 to 13-10-4, Corner(3E) 13-10-4 to 16-10-4 zone; cantilever left and right exposed; end vertical left and right exposed; C-C for members and forces & MWFRS for reactions shown; Lumber DOL=1.60 plate grip DOL=1.60
- Truss designed for wind loads in the plane of the truss only. For studs exposed to wind (normal to the face), see Standard Industry Gable End Details as applicable, or consult qualified building designer as per ANSI/TPI 1.
- TCLL: ASCE 7-16; Pr=20.0 psf (roof LL: Lum DOL=1.15 Plate DOL=1.15); Pf=20.0 psf (Lum DOL=1.15 Plate DOL=1.15); Is=1.0; Rough Cat B; Fully Exp.; Ce=0.9; Cs=1.00; Ct=1.10
- Unbalanced snow loads have been considered for this design.
- All plates are 2x4 MT20 unless otherwise indicated.
- Gable requires continuous bottom chord bearing.
- Gable studs spaced at 2'-0-0 oc.
- This truss has been designed for a 10.0 psf bottom chord live load nonconcurrent with any other live loads.
- * This truss has been designed for a live load of 20.0psf on the bottom chord in all areas where a rectangle 3'-06-00 tall by 2'-00-00 wide will fit between the bottom chord and any other members.
- Provide mechanical connection (by others) of truss to bearing plate capable of withstanding 100 lb uplift at joint(s) 10, 1, 11, 12, 13, 15, 16, 17, 18.
- This truss is designed in accordance with the 2018 International Residential Code sections R502.11.1 and R802.10.2 and referenced standard ANSI/TPI 1.

LOAD CASE(S) Standard

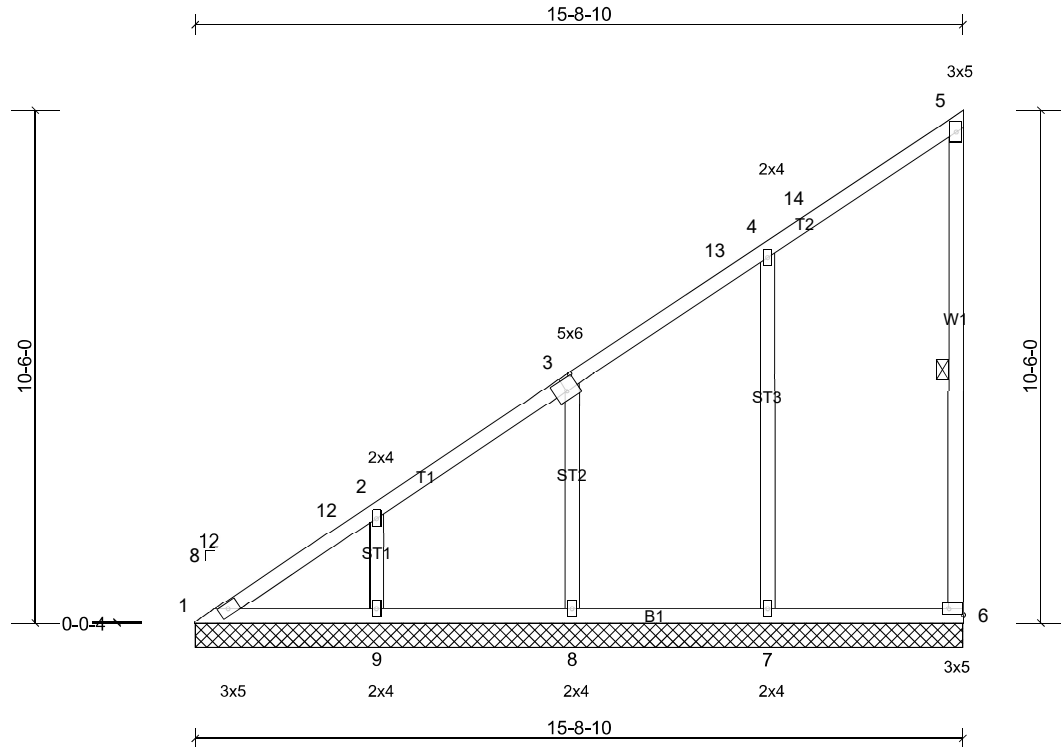
Job Trinity	Truss V12	Truss Type Valley	Qty 1	Ply 1	Job Reference (optional)
----------------	--------------	----------------------	----------	----------	--------------------------

Carter Components, Sanford, NC, user

Run: 8.53 S Mar 28 2022 Print: 8.530 S Mar 28 2022 MiTek Industries, Inc. Thu May 19 09:11:33

Page: 1

ID:OHxagV5iAd3rfqyTLZPQD_zHxvC-mHPNzJW0FETuQ3Gia_of130?WEpnajXAwn3Y1wzF?3u



Scale = 1:47.2

Plate Offsets (X, Y): [3:0-3-0,0-3-0], [6:Edge,0-1-8]

Loading	(psf)	Spacing	2-0-0	CSI	0.68	DEFL	in	(loc)	l/defl	L/d	PLATES	GRIP
TCLL (roof)	20.0	Plate Grip DOL	1.15	TC	0.68	Vert(LL)	n/a	-	n/a	999	MT20	244/190
Snow (Pf)	20.0	Lumber DOL	1.15	BC	0.30	Vert(TL)	n/a	-	n/a	999		
TCDL	10.0	Rep Stress Incr	YES	WB	0.43	Horiz(TL)	0.00	6	n/a	n/a		
BCLL	0.0*	Code	IRC2018/TPI2014	Matrix-MSH								
BCDL	10.0										Weight: 86 lb	FT = 20%

LUMBER
 TOP CHORD 2x4 SP No.2
 BOT CHORD 2x4 SP No.2
 WEBS 2x4 SP No.2
 OTHERS 2x4 SP No.3

BRACING
 TOP CHORD Structural wood sheathing directly applied or 6'-0" oc purlins, except end verticals.
 BOT CHORD Rigid ceiling directly applied or 10'-0" oc bracing.
 WEBS 1 Row at midpt 5-6

REACTIONS All bearings 15-8-10.
 (lb) - Max Horiz 1=364 (LC 11)
 Max Uplift All uplift 100 (lb) or less at joint(s) 1, 6, 9 except 7=132 (LC 14), 8=113 (LC 14)
 Max Grav All reactions 250 (lb) or less at joint(s) 1, 6 except 7=540 (LC 5), 8=407 (LC 23), 9=412 (LC 23)

MiTek recommends that Stabilizers and required cross bracing be installed during truss erection, in accordance with Stabilizer Installation guide.

FORCES (lb) - Max. Comp./Max. Ten. - All forces 250 (lb) or less except when shown.
 TOP CHORD 1-12=-324/191, 2-12=-301/212, 2-3=-266/171
 WEBS 4-7=-395/152, 2-9=-251/136

- NOTES**
- 1) Wind: ASCE 7-16; Vult=130mph (3-second gust) Vasd=103mph; TCDL=6.0psf; BCDL=6.0psf; h=25ft; Cat. II; Exp B; Enclosed; MWFRS (envelope) exterior zone and C-C Exterior(2E) 0-0-6 to 3-0-6, Interior (1) 3-0-6 to 12-7-4, Exterior(2E) 12-7-4 to 15-7-4 zone; cantilever left and right exposed; end vertical left and right exposed; C-C for members and forces & MWFRS for reactions shown; Lumber DOL=1.60 plate grip DOL=1.60
 - 2) TCLL: ASCE 7-16; Pr=20.0 psf (roof LL: Lum DOL=1.15 Plate DOL=1.15); Pf=20.0 psf (Lum DOL=1.15 Plate DOL=1.15); Is=1.0; Rough Cat B; Fully Exp.; Ce=0.9; Cs=1.00; Ct=1.10
 - 3) Unbalanced snow loads have been considered for this design.
 - 4) Gable requires continuous bottom chord bearing.
 - 5) This truss has been designed for a 10.0 psf bottom chord live load nonconcurrent with any other live loads.
 - 6) * This truss has been designed for a live load of 20.0psf on the bottom chord in all areas where a rectangle 3'-06"-00 tall by 2'-00"-00 wide will fit between the bottom chord and any other members, with BCDL = 10.0psf.
 - 7) Provide mechanical connection (by others) of truss to bearing plate capable of withstanding 100 lb uplift at joint(s) 1, 6, 9 except (jt=lb) 7=132, 8=113.
 - 8) This truss is designed in accordance with the 2018 International Residential Code sections R502.11.1 and R802.10.2 and referenced standard ANSI/TPI 1.

LOAD CASE(S) Standard

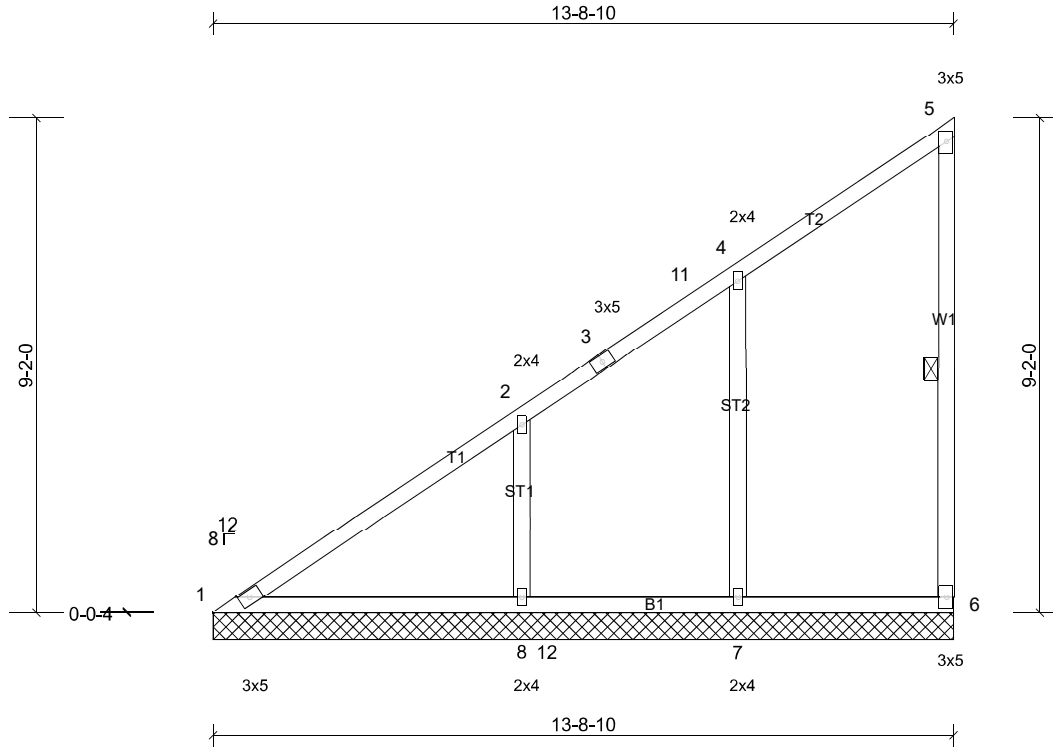
Job Trinity	Truss V13	Truss Type Valley	Qty 1	Ply 1	Job Reference (optional)
----------------	--------------	----------------------	----------	----------	--------------------------

Carter Components, Sanford, NC, user

Run: 8.53 S Mar 28 2022 Print: 8.530 S Mar 28 2022 MiTek Industries, Inc. Thu May 19 09:11:33

Page: 1

ID:PYT?FJINArCRBRl9rdDPPazHxux-mHPNzJW0FEtuQ3Gia_of13Oy1Eo9a1Awn3Y1wzF?3u



Scale = 1:42.7

Loading	(psf)	Spacing	2-0-0	CSI	0.84	DEFL	in	(loc)	l/defl	L/d	PLATES	GRIP
TCLL (roof)	20.0	Plate Grip DOL	1.15	TC	0.84	Vert(LL)	n/a	-	n/a	999	MT20	244/190
Snow (Pf)	20.0	Lumber DOL	1.15	BC	0.34	Vert(TL)	n/a	-	n/a	999		
TCDL	10.0	Rep Stress Incr	YES	WB	0.27	Horiz(TL)	0.01	6	n/a	n/a		
BCLL	0.0*	Code	IRC2018/TPI2014	Matrix-MSH								
BCDL	10.0										Weight: 71 lb	FT = 20%

LUMBER
TOP CHORD 2x4 SP No.2
BOT CHORD 2x4 SP No.2
WEBS 2x4 SP No.3
OTHERS 2x4 SP No.3

BRACING
TOP CHORD Structural wood sheathing directly applied or 6'-0" oc purlins, except end verticals.
BOT CHORD Rigid ceiling directly applied or 10'-0" oc bracing.
WEBS 1 Row at midpt 5-6

REACTIONS All bearings 13-8-10.
(lb) - Max Horiz 1=316 (LC 11)
Max Uplift All uplift 100 (lb) or less at joint(s) 1, 6 except 7=113 (LC 14), 8=154 (LC 14)
Max Grav All reactions 250 (lb) or less at joint(s) 6 except 1=261 (LC 24), 7=477 (LC 5), 8=595 (LC 23)

MiTek recommends that Stabilizers and required cross bracing be installed during truss erection, in accordance with Stabilizer Installation guide.

FORCES (lb) - Max. Comp./Max. Ten. - All forces 250 (lb) or less except when shown.
TOP CHORD 1-2=-396/200
BOT CHORD 1-8=-132/294
WEBS 4-7=-360/145, 2-8=-342/197

- NOTES**
- 1) Wind: ASCE 7-16; Vult=130mph (3-second gust) Vasd=103mph; TCDL=6.0psf; BCDL=6.0psf; h=25ft; Cat. II; Exp B; Enclosed; MWFRS (envelope) exterior zone and C-C Exterior(2E) 0-0-6 to 3-0-6, Interior (1) 3-0-6 to 10-7-4, Exterior(2E) 10-7-4 to 13-7-4 zone; cantilever left and right exposed; end vertical left and right exposed; C-C for members and forces & MWFRS for reactions shown; Lumber DOL=1.60 plate grip DOL=1.60
 - 2) TCLL: ASCE 7-16; Pr=20.0 psf (roof LL: Lum DOL=1.15 Plate DOL=1.15); Pf=20.0 psf (Lum DOL=1.15 Plate DOL=1.15); Is=1.0; Rough Cat B; Fully Exp.; Ce=0.9; Cs=1.00; Ct=1.10
 - 3) Unbalanced snow loads have been considered for this design.
 - 4) Gable requires continuous bottom chord bearing.
 - 5) This truss has been designed for a 10.0 psf bottom chord live load nonconcurrent with any other live loads.
 - 6) * This truss has been designed for a live load of 20.0psf on the bottom chord in all areas where a rectangle 3'-0" tall by 2'-0" wide will fit between the bottom chord and any other members, with BCDL = 10.0psf.
 - 7) Provide mechanical connection (by others) of truss to bearing plate capable of withstanding 100 lb uplift at joint(s) 1, 6 except (jt=lb) 7=113, 8=153.
 - 8) This truss is designed in accordance with the 2018 International Residential Code sections R502.11.1 and R802.10.2 and referenced standard ANSI/TPI 1.

LOAD CASE(S) Standard

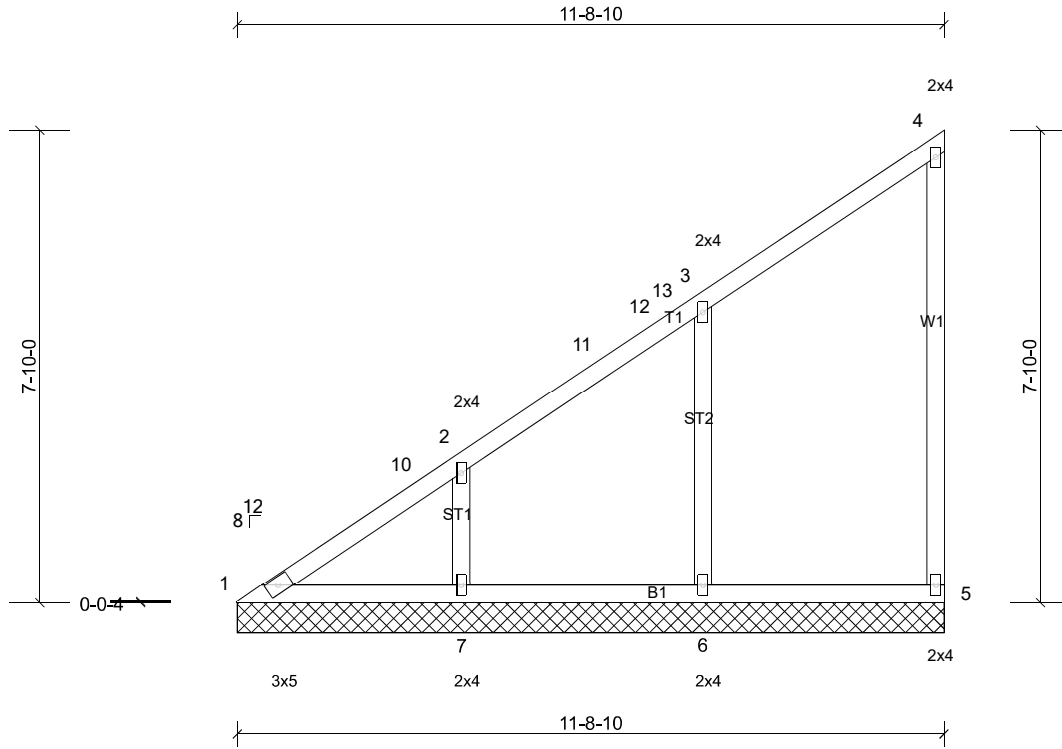
Job Trinity	Truss V14	Truss Type Valley	Qty 1	Ply 1	Job Reference (optional)
----------------	--------------	----------------------	----------	----------	--------------------------

Carter Components, Sanford, NC, user

Run: 8.53 S Mar 28 2022 Print: 8.530 S Mar 28 2022 MiTek Industries, Inc. Thu May 19 09:11:33

Page: 1

ID:xdR3cnUPOmD96vzDn_V92yzHxuh-mHPNzJW0FEtuQ3Gia_of1300cEr_anRAwn3Y1wzF?3u



Scale = 1:38.2

Loading	(psf)	Spacing	2-0-0	CSI		DEFL	in	(loc)	l/defl	L/d	PLATES	GRIP
TCLL (roof)	20.0	Plate Grip DOL	1.15	TC	0.61	Vert(LL)	n/a	-	n/a	999	MT20	244/190
Snow (Pf)	20.0	Lumber DOL	1.15	BC	0.16	Vert(TL)	n/a	-	n/a	999		
TCDL	10.0	Rep Stress Incr	YES	WB	0.18	Horiz(TL)	0.00	5	n/a	n/a		
BCLL	0.0*	Code	IRC2018/TPI2014	Matrix-MSH								
BCDL	10.0										Weight: 58 lb	FT = 20%

LUMBER

TOP CHORD 2x4 SP No.2
 BOT CHORD 2x4 SP No.2
 WEBS 2x4 SP No.3
 OTHERS 2x4 SP No.3

BRACING

TOP CHORD
 BOT CHORD

Structural wood sheathing directly applied or 6-0-0 oc purlins, except end verticals.
 Rigid ceiling directly applied or 10-0-0 oc bracing.

REACTIONS

All bearings 11-8-10.
 (lb) - Max Horiz 1=269 (LC 11)
 Max Uplift All uplift 100 (lb) or less at joint(s) 1, 5, 6 except 7=108 (LC 14)
 Max Grav All reactions 250 (lb) or less at joint(s) 1, 5 except 6=491 (LC 5), 7=411 (LC 23)

FORCES

(lb) - Max. Comp./Max. Ten. - All forces 250 (lb) or less except when shown.
 TOP CHORD 1-10=-272/140
 WEBS 3-6=-386/154, 2-7=-254/148

NOTES

- Wind: ASCE 7-16; Vult=130mph (3-second gust) Vasd=103mph; TCDL=6.0psf; BCDL=6.0psf; h=25ft; Cat. II; Exp B; Enclosed; MWFRS (envelope) exterior zone and C-C Exterior(2E) 0-0-6 to 3-0-6, Interior (1) 3-0-6 to 7-4-5, Exterior(2R) 7-4-5 to 11-7-4 zone; cantilever left and right exposed; end vertical left and right exposed; C-C for members and forces & MWFRS for reactions shown; Lumber DOL=1.60 plate grip DOL=1.60
- TCLL: ASCE 7-16; Pr=20.0 psf (roof LL: Lum DOL=1.15 Plate DOL=1.15); Pf=20.0 psf (Lum DOL=1.15 Plate DOL=1.15); Is=1.0; Rough Cat B; Fully Exp.; Ce=0.9; Cs=1.00; Ct=1.10
- Unbalanced snow loads have been considered for this design.
- Gable requires continuous bottom chord bearing.
- This truss has been designed for a 10.0 psf bottom chord live load nonconcurrent with any other live loads.
- * This truss has been designed for a live load of 20.0psf on the bottom chord in all areas where a rectangle 3-06-00 tall by 2-00-00 wide will fit between the bottom chord and any other members, with BCDL = 10.0psf.
- Provide mechanical connection (by others) of truss to bearing plate capable of withstanding 100 lb uplift at joint(s) 5, 1, 6 except (jt=lb) 7=107.
- This truss is designed in accordance with the 2018 International Residential Code sections R502.11.1 and R802.10.2 and referenced standard ANSI/TPI 1.

LOAD CASE(S) Standard

MiTek recommends that Stabilizers and required cross bracing be installed during truss erection, in accordance with Stabilizer Installation guide.

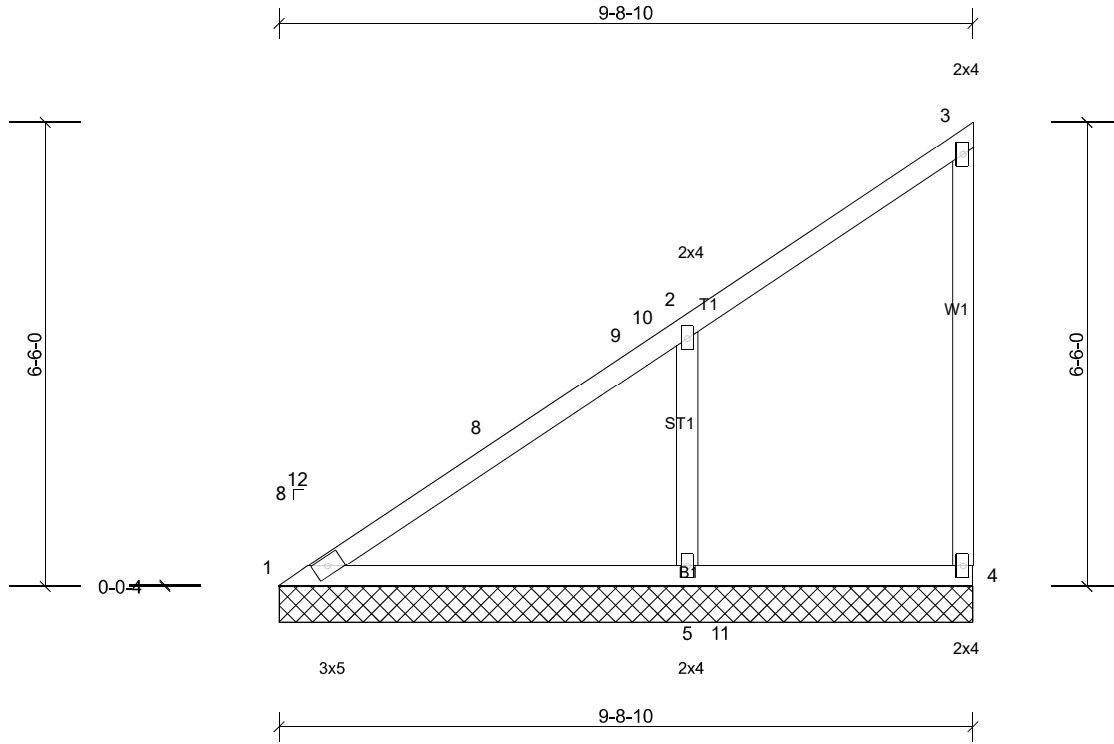
Job Trinity	Truss V15	Truss Type Valley	Qty 1	Ply 1	Job Reference (optional)
----------------	--------------	----------------------	----------	----------	--------------------------

Carter Components, Sanford, NC, user

Run: 8.53 S Mar 28 2022 Print: 8.530 S Mar 28 2022 MiTek Industries, Inc. Thu May 19 09:11:33

Page: 1

ID: P5WsNxii9UcGgLhqmqNnlzHxuP-mHPNzJW0FEtuQ3Gia_of13O3QEpUanEAwn3Y1wzF?3u



Scale = 1:32.3

Loading	(psf)	Spacing	2-0-0	CSI		DEFL	in	(loc)	l/defl	L/d	PLATES	GRIP
TCLL (roof)	20.0	Plate Grip DOL	1.15	TC	0.43	Vert(LL)	n/a	-	n/a	999	MT20	244/190
Snow (Pf)	20.0	Lumber DOL	1.15	BC	0.32	Vert(TL)	n/a	-	n/a	999		
TCDL	10.0	Rep Stress Incr	YES	WB	0.13	Horiz(TL)	0.01	4	n/a	n/a		
BCLL	0.0*	Code	IRC2018/TPI2014	Matrix-MSH								
BCDL	10.0										Weight: 45 lb	FT = 20%

LUMBER

TOP CHORD 2x4 SP No.2
 BOT CHORD 2x4 SP No.2
 WEBS 2x4 SP No.3
 OTHERS 2x4 SP No.3

BRACING

TOP CHORD
 BOT CHORD

Structural wood sheathing directly applied or 6-0-0 oc purlins, except end verticals.
 Rigid ceiling directly applied or 10-0-0 oc bracing.

REACTIONS (lb/size) 1=185/9-8-10, (min. 0-1-8), 4=89/9-8-10, (min. 0-1-8),
 5=492/9-8-10, (min. 0-1-8)
 Max Horiz 1=221 (LC 11)
 Max Uplift 4=-40 (LC 11), 5=-134 (LC 14)
 Max Grav 1=226 (LC 24), 4=177 (LC 5), 5=635 (LC 5)

MiTek recommends that Stabilizers and required cross bracing be installed during truss erection, in accordance with Stabilizer Installation guide.

FORCES (lb) - Max. Comp./Max. Ten. - All forces 250 (lb) or less except when shown.
 TOP CHORD 1-8=-339/105
 BOT CHORD 1-5=-97/277
 WEBS 2-5=-458/212

NOTES

- 1) Wind: ASCE 7-16; Vult=130mph (3-second gust) Vasd=103mph; TCDL=6.0psf; BCDL=6.0psf; h=25ft; Cat. II; Exp B; Enclosed; MWFRS (envelope) exterior zone and C-C Exterior(2E) 0-0-6 to 3-0-6, Interior (1) 3-0-6 to 5-4-5, Exterior(2R) 5-4-5 to 9-7-4 zone; cantilever left and right exposed; end vertical left and right exposed; C-C for members and forces & MWFRS for reactions shown; Lumber DOL=1.60 plate grip DOL=1.60
- 2) TCLL: ASCE 7-16; Pr=20.0 psf (roof LL: Lum DOL=1.15 Plate DOL=1.15); Pf=20.0 psf (Lum DOL=1.15 Plate DOL=1.15); Is=1.0; Rough Cat B; Fully Exp.; Ce=0.9; Cs=1.00; Ct=1.10
- 3) Unbalanced snow loads have been considered for this design.
- 4) Gable requires continuous bottom chord bearing.
- 5) This truss has been designed for a 10.0 psf bottom chord live load nonconcurrent with any other live loads.
- 6) * This truss has been designed for a live load of 20.0psf on the bottom chord in all areas where a rectangle 3-06-00 tall by 2-00-00 wide will fit between the bottom chord and any other members, with BCDL = 10.0psf.
- 7) Provide mechanical connection (by others) of truss to bearing plate capable of withstanding 40 lb uplift at joint 4 and 134 lb uplift at joint 5.
- 8) This truss is designed in accordance with the 2018 International Residential Code sections R502.11.1 and R802.10.2 and referenced standard ANSI/TPI 1.

LOAD CASE(S) Standard

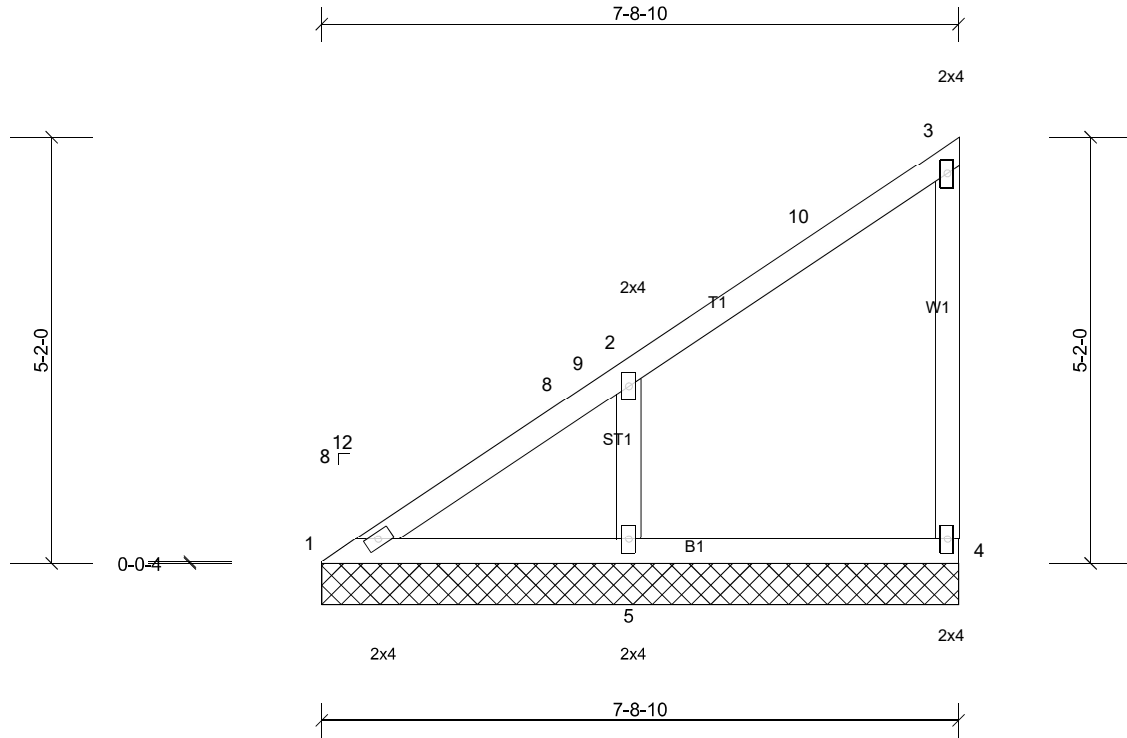
Job Trinity	Truss V16	Truss Type Valley	Qty 1	Ply 1	Job Reference (optional)
----------------	--------------	----------------------	----------	----------	--------------------------

Carter Components, Sanford, NC, user

Run: 8.53 S Mar 28 2022 Print: 8.530 S Mar 28 2022 MiTek Industries, Inc. Thu May 19 09:11:33

Page: 1

ID:P5WsNxii9IUcGgLhqmqNnlzHxuP-mHPNzJW0FEtuQ3Gia_of13O4MErHaorAwn3Y1wzF?3u



Scale = 1:27.9

Loading	(psf)	Spacing	2-0-0	CSI		DEFL	in	(loc)	l/defl	L/d	PLATES	GRIP
TCLL (roof)	20.0	Plate Grip DOL	1.15	TC	0.37	Vert(LL)	n/a	-	n/a	999	MT20	244/190
Snow (Pf)	20.0	Lumber DOL	1.15	BC	0.14	Vert(TL)	n/a	-	n/a	999		
TCDL	10.0	Rep Stress Incr	YES	WB	0.09	Horiz(TL)	0.00	4	n/a	n/a		
BCLL	0.0*	Code	IRC2018/TPI2014	Matrix-MP							Weight: 34 lb	FT = 20%
BCDL	10.0											

LUMBER
TOP CHORD 2x4 SP No.2
BOT CHORD 2x4 SP No.2
WEBS 2x4 SP No.3
OTHERS 2x4 SP No.3

BRACING
TOP CHORD
BOT CHORD

Structural wood sheathing directly applied or 6-0-0 oc purlins, except end verticals.

Rigid ceiling directly applied or 10-0-0 oc bracing.

MiTek recommends that Stabilizers and required cross bracing be installed during truss erection, in accordance with Stabilizer Installation guide.

REACTIONS (lb/size) 1=111/7-8-10, (min. 0-1-8), 4=117/7-8-10, (min. 0-1-8),
5=378/7-8-10, (min. 0-1-8)
Max Horiz 1=173 (LC 11)
Max Uplift 4=-34 (LC 11), 5=-119 (LC 14)
Max Grav 1=136 (LC 24), 4=185 (LC 20), 5=508 (LC 20)

FORCES (lb) - Max. Comp./Max. Ten. - All forces 250 (lb) or less except when shown.
WEBS 2-5=-406/227

NOTES

- 1) Wind: ASCE 7-16; Vult=130mph (3-second gust) Vasd=103mph; TCDL=6.0psf; BCDL=6.0psf; h=25ft; Cat. II; Exp B; Enclosed; MWFRS (envelope) exterior zone and C-C Exterior(2E) 0-0-6 to 3-0-6, Interior (1) 3-0-6 to 3-4-5, Exterior(2R) 3-4-5 to 7-7-4 zone; cantilever left and right exposed; end vertical left and right exposed; C-C for members and forces & MWFRS for reactions shown; Lumber DOL=1.60 plate grip DOL=1.60
- 2) TCLL: ASCE 7-16; Pr=20.0 psf (roof LL: Lum DOL=1.15 Plate DOL=1.15); Pf=20.0 psf (Lum DOL=1.15 Plate DOL=1.15); Is=1.0; Rough Cat B; Fully Exp.; Ce=0.9; Cs=1.00; Ct=1.10
- 3) Unbalanced snow loads have been considered for this design.
- 4) Gable requires continuous bottom chord bearing.
- 5) This truss has been designed for a 10.0 psf bottom chord live load nonconcurrent with any other live loads.
- 6) * This truss has been designed for a live load of 20.0psf on the bottom chord in all areas where a rectangle 3-06-00 tall by 2-00-00 wide will fit between the bottom chord and any other members.
- 7) Provide mechanical connection (by others) of truss to bearing plate capable of withstanding 34 lb uplift at joint 4 and 119 lb uplift at joint 5.
- 8) This truss is designed in accordance with the 2018 International Residential Code sections R502.11.1 and R802.10.2 and referenced standard ANSI/TPI 1.

LOAD CASE(S) Standard

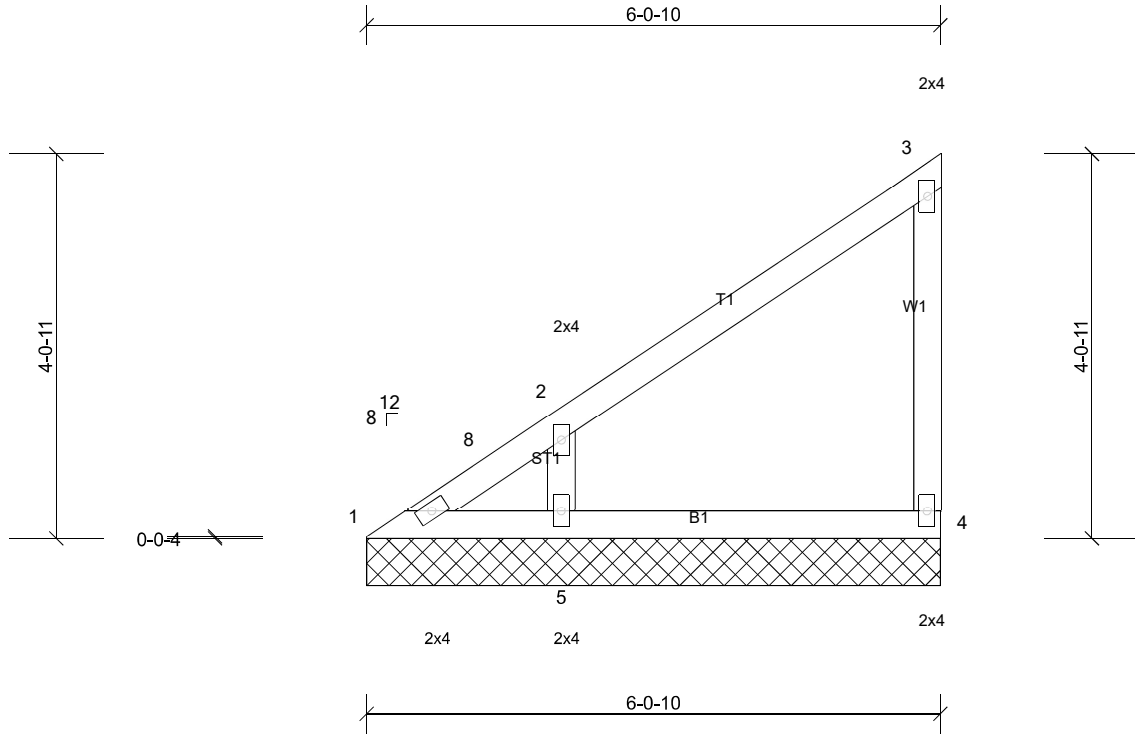
Job Trinity	Truss V17	Truss Type Valley	Qty 1	Ply 1	Job Reference (optional)
----------------	--------------	----------------------	----------	----------	--------------------------

Carter Components, Sanford, NC, user

Run: 8.53 S Mar 28 2022 Print: 8.530 S Mar 28 2022 MiTek Industries, Inc. Thu May 19 09:11:34

Page: 1

ID:P5WsNxii9IucGgLhqmqNnlzHxup-EUziBfWe0Y?k2Crv7hJuaHxGueCrJFGK9Ro6ZMzF?3t



Scale = 1:24.3

Loading	(psf)	Spacing	2-0-0	CSI		DEFL	in	(loc)	l/defl	L/d	PLATES	GRIP
TCLL (roof)	20.0	Plate Grip DOL	1.15	TC	0.32	Vert(LL)	n/a	-	n/a	999	MT20	244/190
Snow (Pf)	20.0	Lumber DOL	1.15	BC	0.12	Vert(TL)	n/a	-	n/a	999		
TCDL	10.0	Rep Stress Incr	YES	WB	0.08	Horiz(TL)	0.00	4	n/a	n/a		
BCLL	0.0*	Code	IRC2018/TPI2014	Matrix-MP							Weight: 25 lb	FT = 20%
BCDL	10.0											

LUMBER

TOP CHORD 2x4 SP No.2
 BOT CHORD 2x4 SP No.2
 WEBS 2x4 SP No.3
 OTHERS 2x4 SP No.3

BRACING

TOP CHORD
 BOT CHORD

Structural wood sheathing directly applied or 6'-0" oc purlins, except end verticals.
 Rigid ceiling directly applied or 10'-0" oc bracing.

REACTIONS (lb/size) 1=28/6-0-10, (min. 0-1-8), 4=125/6-0-10, (min. 0-1-8), 5=319/6-0-10, (min. 0-1-8)
 Max Horiz 1=133 (LC 11)
 Max Uplift 1=-20 (LC 12), 4=-28 (LC 11), 5=-102 (LC 14)
 Max Grav 1=64 (LC 11), 4=191 (LC 20), 5=463 (LC 20)

FORCES (lb) - Max. Comp./Max. Ten. - All forces 250 (lb) or less except when shown.
 WEBS 2-5=-419/248

NOTES

- 1) Wind: ASCE 7-16; Vult=130mph (3-second gust) Vasd=103mph; TCDL=6.0psf; BCDL=6.0psf; h=25ft; Cat. II; Exp B; Enclosed; MWFRS (envelope) exterior zone and C-C Exterior(2E) zone; cantilever left and right exposed ; end vertical left and right exposed;C-C for members and forces & MWFRS for reactions shown; Lumber DOL=1.60 plate grip DOL=1.60
- 2) TCLL: ASCE 7-16; Pr=20.0 psf (roof LL: Lum DOL=1.15 Plate DOL=1.15); Pf=20.0 psf (Lum DOL=1.15 Plate DOL=1.15); Is=1.0; Rough Cat B; Fully Exp.; Ce=0.9; Cs=1.00; Ct=1.10
- 3) Unbalanced snow loads have been considered for this design.
- 4) Gable requires continuous bottom chord bearing.
- 5) This truss has been designed for a 10.0 psf bottom chord live load nonconcurrent with any other live loads.
- 6) * This truss has been designed for a live load of 20.0psf on the bottom chord in all areas where a rectangle 3-06-00 tall by 2-00-00 wide will fit between the bottom chord and any other members.
- 7) Provide mechanical connection (by others) of truss to bearing plate capable of withstanding 28 lb uplift at joint 4, 20 lb uplift at joint 1 and 102 lb uplift at joint 5.
- 8) This truss is designed in accordance with the 2018 International Residential Code sections R502.11.1 and R802.10.2 and referenced standard ANSI/TPI 1.

LOAD CASE(S) Standard

MiTek recommends that Stabilizers and required cross bracing be installed during truss erection, in accordance with Stabilizer Installation guide.

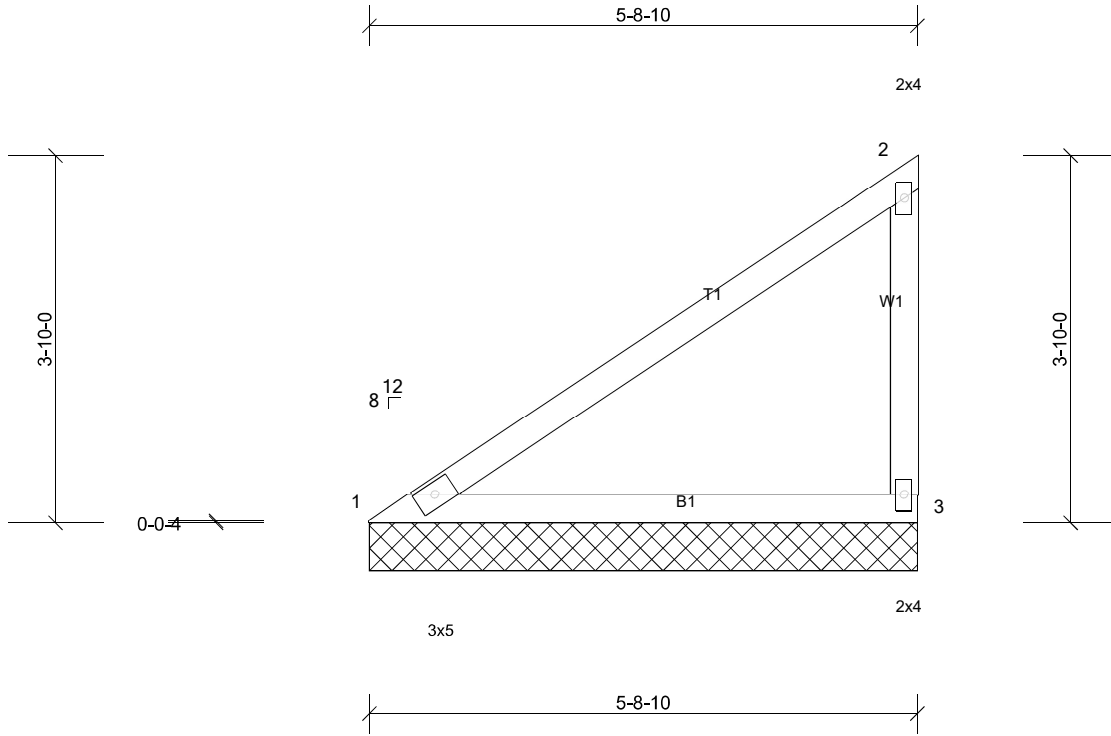
Job Trinity	Truss V18	Truss Type Valley	Qty 1	Ply 1	Job Reference (optional)
----------------	--------------	----------------------	----------	----------	--------------------------

Carter Components, Sanford, NC, user

Run: 8.53 S Mar 28 2022 Print: 8.530 S Mar 28 2022 MiTek Industries, Inc. Thu May 19 09:11:34

Page: 1

ID:1H4EbHjKwccTuqwtOULcKyzHxuO-EUzIBfWe0Y?k2Crv7hJuaHx9oe3EJGVK9Ro6ZMzF?3t



Scale = 1:24

Loading	(psf)	Spacing	2-0-0	CSI		DEFL	in	(loc)	l/defl	L/d	PLATES	GRIP
TCLL (roof)	20.0	Plate Grip DOL	1.15	TC	0.71	Vert(LL)	n/a	-	n/a	999	MT20	244/190
Snow (Pf)	20.0	Lumber DOL	1.15	BC	0.67	Vert(TL)	n/a	-	n/a	999		
TCDL	10.0	Rep Stress Incr	YES	WB	0.00	Horiz(TL)	0.02	3	n/a	n/a		
BCLL	0.0*	Code	IRC2018/TPI2014	Matrix-MP								
BCDL	10.0										Weight: 23 lb	FT = 20%

LUMBER

TOP CHORD 2x4 SP No.2
BOT CHORD 2x4 SP No.2
WEBS 2x4 SP No.3

BRACING

TOP CHORD
BOT CHORD

Structural wood sheathing directly applied or 5-8-10 oc purlins, except end verticals.

Rigid ceiling directly applied or 10-0-0 oc bracing.

REACTIONS (lb/size) 1=223/5-8-10, (min. 0-1-8), 3=223/5-8-10, (min. 0-1-8)

Max Horiz 1=125 (LC 11)

Max Uplift 1=-14 (LC 14), 3=-57 (LC 14)

Max Grav 1=302 (LC 20), 3=334 (LC 20)

MiTek recommends that Stabilizers and required cross bracing be installed during truss erection, in accordance with Stabilizer Installation guide.

FORCES

(lb) - Max. Comp./Max. Ten. - All forces 250 (lb) or less except when shown.

TOP CHORD 1-2=-441/103

BOT CHORD 1-3=-95/367

NOTES

- 1) Wind: ASCE 7-16; Vult=130mph (3-second gust) Vasd=103mph; TCDL=6.0psf; BCDL=6.0psf; h=25ft; Cat. II; Exp B; Enclosed; MWFRS (envelope) exterior zone and C-C Exterior(2E) zone; cantilever left and right exposed; end vertical left and right exposed; C-C for members and forces & MWFRS for reactions shown; Lumber DOL=1.60 plate grip DOL=1.60
- 2) TCLL: ASCE 7-16; Pr=20.0 psf (roof LL: Lum DOL=1.15 Plate DOL=1.15); Pf=20.0 psf (Lum DOL=1.15 Plate DOL=1.15); Is=1.0; Rough Cat B; Fully Exp.; Ce=0.9; Cs=1.00; Ct=1.10
- 3) Unbalanced snow loads have been considered for this design.
- 4) Gable requires continuous bottom chord bearing.
- 5) This truss has been designed for a 10.0 psf bottom chord live load nonconcurrent with any other live loads.
- 6) * This truss has been designed for a live load of 20.0psf on the bottom chord in all areas where a rectangle 3-06-00 tall by 2-00-00 wide will fit between the bottom chord and any other members.
- 7) Provide mechanical connection (by others) of truss to bearing plate capable of withstanding 57 lb uplift at joint 3 and 14 lb uplift at joint 1.
- 8) This truss is designed in accordance with the 2018 International Residential Code sections R502.11.1 and R802.10.2 and referenced standard ANSI/TPI 1.

LOAD CASE(S) Standard

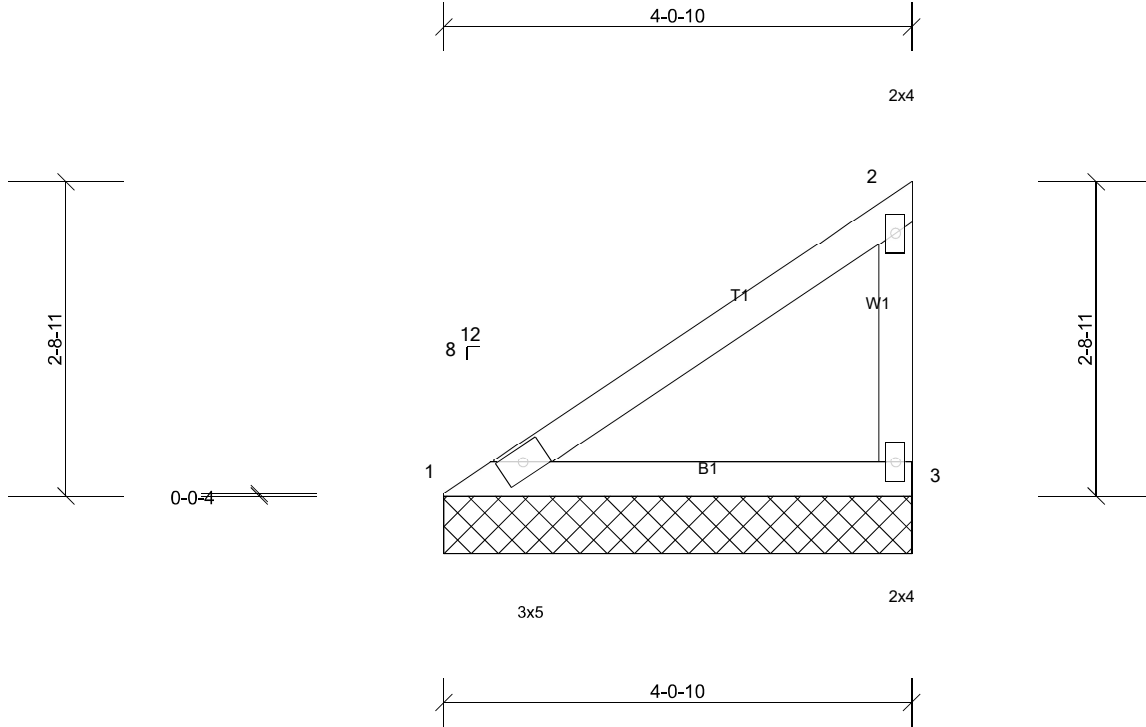
Job Trinity	Truss V19	Truss Type Valley	Qty 1	Ply 1	Job Reference (optional)
----------------	--------------	----------------------	----------	----------	--------------------------

Carter Components, Sanford, NC, user

Run: 8.53 S Mar 28 2022 Print: 8.530 S Mar 28 2022 MiTek Industries, Inc. Thu May 19 09:11:34

Page: 1

ID:tH4EbHjKwccTuqwtOULcKyzHxuO-EUzIBfWe0Y?k2Crv7hJuaHxGBe8YJGVK9Ro6ZMzF?3t



Scale = 1:20

Loading	(psf)	Spacing	2-0-0	CSI	DEFL	in	(loc)	l/defl	L/d	PLATES	GRIP	
TCLL (roof)	20.0	Plate Grip DOL	1.15	TC	0.30	Vert(LL)	n/a	-	n/a	999	MT20	244/190
Snow (Pf)	20.0	Lumber DOL	1.15	BC	0.33	Vert(TL)	n/a	-	n/a	999		
TCDL	10.0	Rep Stress Incr	YES	WB	0.00	Horiz(TL)	0.01	3	n/a	n/a		
BCLL	0.0*	Code	IRC2018/TPI2014	Matrix-MP								
BCDL	10.0										Weight: 16 lb	FT = 20%

LUMBER

TOP CHORD 2x4 SP No.2
 BOT CHORD 2x4 SP No.2
 WEBS 2x4 SP No.3

BRACING

TOP CHORD
 BOT CHORD

Structural wood sheathing directly applied or 4-0-10 oc purlins, except end verticals.
 Rigid ceiling directly applied or 10-0-0 oc bracing.

REACTIONS (lb/size) 1=156/4-0-10, (min. 0-1-8), 3=156/4-0-10, (min. 0-1-8)
 Max Horiz 1=86 (LC 11)
 Max Uplift 1=-10 (LC 14), 3=-39 (LC 14)
 Max Grav 1=228 (LC 20), 3=228 (LC 20)

MiTek recommends that Stabilizers and required cross bracing be installed during truss erection, in accordance with Stabilizer Installation guide.

FORCES (lb) - Max. Comp./Max. Ten. - All forces 250 (lb) or less except when shown.

TOP CHORD 1-2=-314/69
 BOT CHORD 1-3=-74/253

NOTES

- 1) Wind: ASCE 7-16; Vult=130mph (3-second gust) Vasd=103mph; TCDL=6.0psf; BCDL=6.0psf; h=25ft; Cat. II; Exp B; Enclosed; MWFRS (envelope) exterior zone and C-C Exterior(2E) zone; cantilever left and right exposed; end vertical left and right exposed; C-C for members and forces & MWFRS for reactions shown; Lumber DOL=1.60 plate grip DOL=1.60
- 2) TCLL: ASCE 7-16; Pr=20.0 psf (roof LL: Lum DOL=1.15 Plate DOL=1.15); Pf=20.0 psf (Lum DOL=1.15 Plate DOL=1.15); Is=1.0; Rough Cat B; Fully Exp.; Ce=0.9; Cs=1.00; Ct=1.10
- 3) Unbalanced snow loads have been considered for this design.
- 4) Gable requires continuous bottom chord bearing.
- 5) This truss has been designed for a 10.0 psf bottom chord live load nonconcurrent with any other live loads.
- 6) * This truss has been designed for a live load of 20.0psf on the bottom chord in all areas where a rectangle 3-06-00 tall by 2-00-00 wide will fit between the bottom chord and any other members.
- 7) Provide mechanical connection (by others) of truss to bearing plate capable of withstanding 39 lb uplift at joint 3 and 10 lb uplift at joint 1.
- 8) This truss is designed in accordance with the 2018 International Residential Code sections R502.11.1 and R802.10.2 and referenced standard ANSI/TPI 1.

LOAD CASE(S) Standard

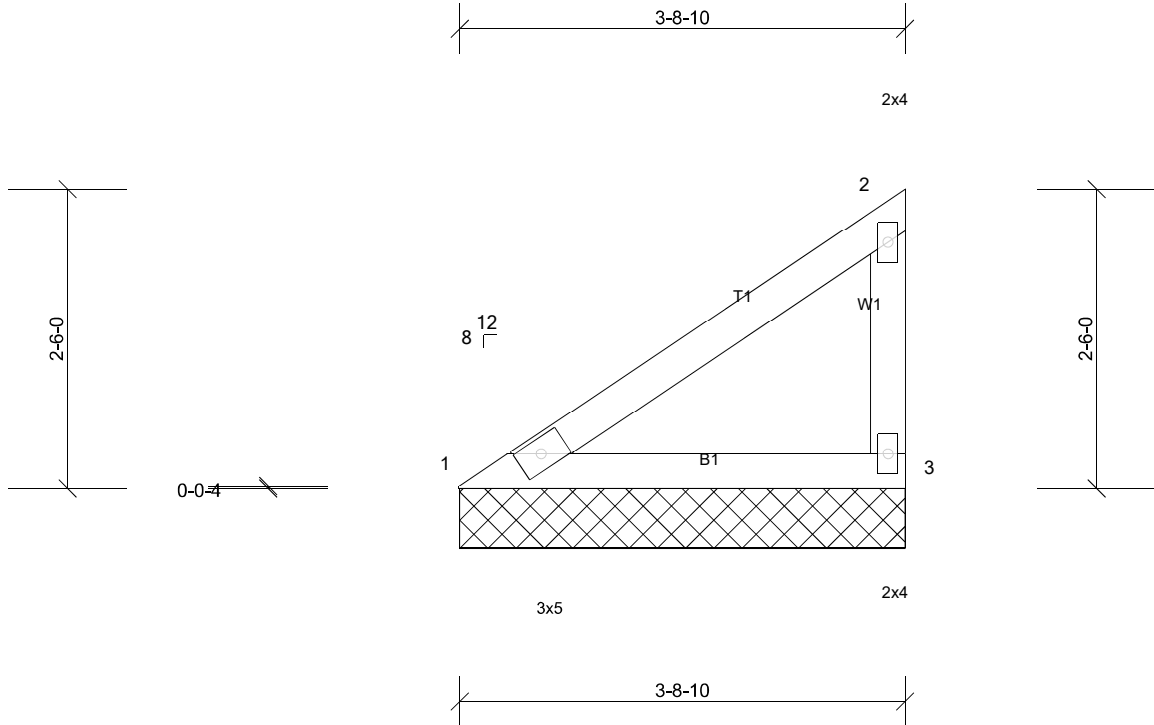
Job Trinity	Truss V20	Truss Type Valley	Qty 1	Ply 1	Job Reference (optional)
----------------	--------------	----------------------	----------	----------	--------------------------

Carter Components, Sanford, NC, user

Run: 8.53 S Mar 28 2022 Print: 8.530 S Mar 28 2022 MiTek Industries, Inc. Thu May 19 09:11:34

Page: 1

ID:tH4EbHjKwccTuqwtOULcKyzHxuO-EUzIBfWe0Y?k2Crv7hJuaHxH8e9UJGVK9Ro6ZmzF?3t



Scale = 1:19.2

Loading	(psf)	Spacing	2-0-0	CSI	DEFL	in	(loc)	l/defl	L/d	PLATES	GRIP	
TCLL (roof)	20.0	Plate Grip DOL	1.15	TC	0.24	Vert(LL)	n/a	-	n/a	999	MT20	244/190
Snow (Pf)	20.0	Lumber DOL	1.15	BC	0.27	Vert(TL)	n/a	-	n/a	999		
TCDL	10.0	Rep Stress Incr	YES	WB	0.00	Horiz(TL)	0.00	3	n/a	n/a		
BCLL	0.0*	Code	IRC2018/TPI2014	Matrix-MP								
BCDL	10.0										Weight: 14 lb	FT = 20%

LUMBER

TOP CHORD 2x4 SP No.2
 BOT CHORD 2x4 SP No.2
 WEBS 2x4 SP No.3

BRACING

TOP CHORD
 BOT CHORD

Structural wood sheathing directly applied or 3-8-10 oc purlins, except end verticals.
 Rigid ceiling directly applied or 10-0-0 oc bracing.

REACTIONS (lb/size) 1=143/3-8-10, (min. 0-1-8), 3=143/3-8-10, (min. 0-1-8)
 Max Horiz 1=78 (LC 11)
 Max Uplift 1=-10 (LC 14), 3=-36 (LC 14)
 Max Grav 1=205 (LC 20), 3=205 (LC 20)

MiTek recommends that Stabilizers and required cross bracing be installed during truss erection, in accordance with Stabilizer Installation guide.

FORCES (lb) - Max. Comp./Max. Ten. - All forces 250 (lb) or less except when shown.
 TOP CHORD 1-2=-279/62

NOTES

- Wind: ASCE 7-16; Vult=130mph (3-second gust) Vasd=103mph; TCDL=6.0psf; BCDL=6.0psf; h=25ft; Cat. II; Exp B; Enclosed; MWFRS (envelope) exterior zone and C-C Exterior(2E) zone; cantilever left and right exposed; end vertical left and right exposed; C-C for members and forces & MWFRS for reactions shown; Lumber DOL=1.60 plate grip DOL=1.60
- TCLL: ASCE 7-16; Pr=20.0 psf (roof LL: Lum DOL=1.15 Plate DOL=1.15); Pf=20.0 psf (Lum DOL=1.15 Plate DOL=1.15); Is=1.0; Rough Cat B; Fully Exp.; Ce=0.9; Cs=1.00; Ct=1.10
- Unbalanced snow loads have been considered for this design.
- Gable requires continuous bottom chord bearing.
- This truss has been designed for a 10.0 psf bottom chord live load nonconcurrent with any other live loads.
- * This truss has been designed for a live load of 20.0psf on the bottom chord in all areas where a rectangle 3-06-00 tall by 2-00-00 wide will fit between the bottom chord and any other members.
- Provide mechanical connection (by others) of truss to bearing plate capable of withstanding 36 lb uplift at joint 3 and 10 lb uplift at joint 1.
- This truss is designed in accordance with the 2018 International Residential Code sections R502.11.1 and R802.10.2 and referenced standard ANSI/TPI 1.

LOAD CASE(S) Standard

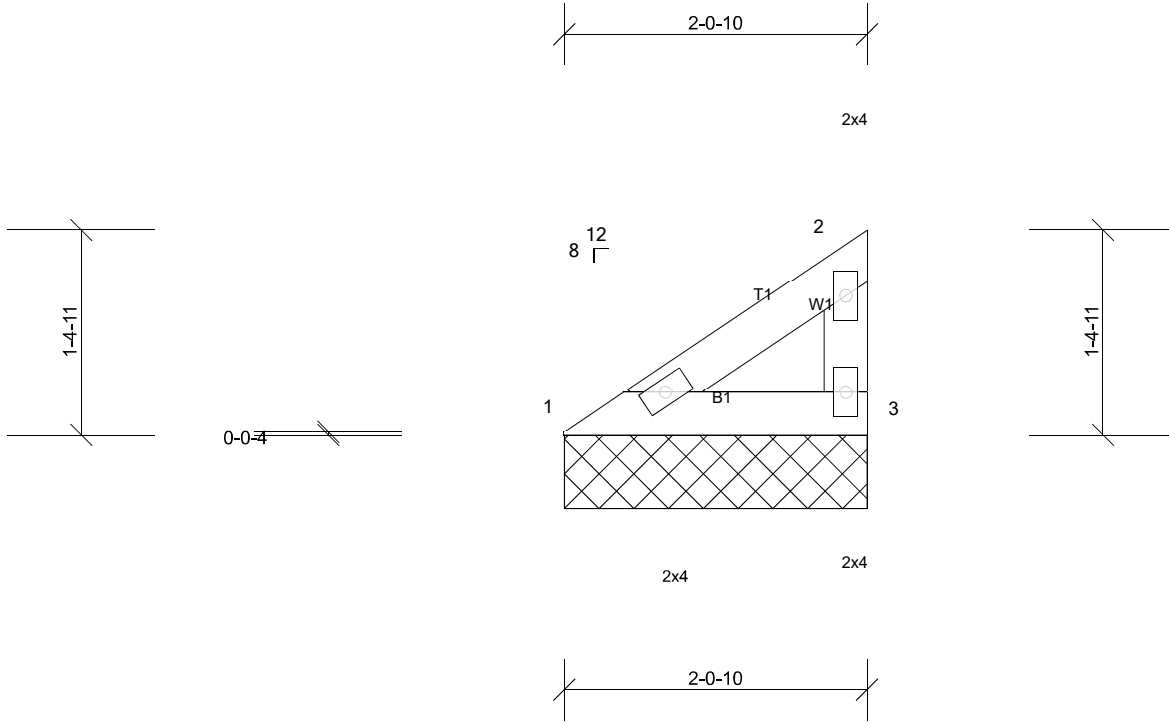
Job Trinity	Truss V21	Truss Type Valley	Qty 1	Ply 1	Job Reference (optional)
----------------	--------------	----------------------	----------	----------	--------------------------

Carter Components, Sanford, NC, user

Run: 8.53 S Mar 28 2022 Print: 8.530 S Mar 28 2022 MiTek Industries, Inc. Thu May 19 09:11:34

Page: 1

ID:tH4EbHjKwccTuqwtOULcKyzHxuO-EUzIbFWe0Y?k2Crv7hJuaHxKGeCcJGVK9Ro6ZmzF?3t



Scale = 1:15.6

Loading	(psf)	Spacing	2-0-0	CSI	DEFL	in	(loc)	l/defl	L/d	PLATES	GRIP	
TCLL (roof)	20.0	Plate Grip DOL	1.15	TC	0.04	Vert(LL)	n/a	-	n/a	999	MT20	244/190
Snow (Pf)	20.0	Lumber DOL	1.15	BC	0.07	Vert(TL)	n/a	-	n/a	999		
TCDL	10.0	Rep Stress Incr	YES	WB	0.00	Horiz(TL)	n/a	-	n/a	n/a		
BCLL	0.0*	Code	IRC2018/TPI2014	Matrix-MP								
BCDL	10.0										Weight: 7 lb	FT = 20%

LUMBER

TOP CHORD 2x4 SP No.2
 BOT CHORD 2x4 SP No.2
 WEBS 2x4 SP No.3

BRACING

TOP CHORD Structural wood sheathing directly applied or 2-0-10 oc purlins, except end verticals.
 BOT CHORD Rigid ceiling directly applied or 10-0-0 oc bracing.

REACTIONS (lb/size) 1=76/2-0-10, (min. 0-1-8), 3=76/2-0-10, (min. 0-1-8)
 Max Horiz 1=38 (LC 11)
 Max Uplift 1=-6 (LC 14), 3=-18 (LC 14)
 Max Grav 1=101 (LC 20), 3=101 (LC 20)

MiTek recommends that Stabilizers and required cross bracing be installed during truss erection, in accordance with Stabilizer Installation guide.

FORCES (lb) - Max. Comp./Max. Ten. - All forces 250 (lb) or less except when shown.

NOTES

- Wind: ASCE 7-16; Vult=130mph (3-second gust) Vasd=103mph; TCDL=6.0psf; BCDL=6.0psf; h=25ft; Cat. II; Exp B; Enclosed; MWFRS (envelope) exterior zone and C-C Exterior(2E) zone; cantilever left and right exposed ; end vertical left and right exposed;C-C for members and forces & MWFRS for reactions shown; Lumber DOL=1.60 plate grip DOL=1.60
- TCLL: ASCE 7-16; Pr=20.0 psf (roof LL: Lum DOL=1.15 Plate DOL=1.15); Pf=20.0 psf (Lum DOL=1.15 Plate DOL=1.15); Is=1.0; Rough Cat B; Fully Exp.; Ce=0.9; Cs=1.00; Ct=1.10
- Unbalanced snow loads have been considered for this design.
- Gable requires continuous bottom chord bearing.
- This truss has been designed for a 10.0 psf bottom chord live load nonconcurrent with any other live loads.
- * This truss has been designed for a live load of 20.0psf on the bottom chord in all areas where a rectangle 3-06-00 tall by 2-00-00 wide will fit between the bottom chord and any other members.
- Provide mechanical connection (by others) of truss to bearing plate capable of withstanding 18 lb uplift at joint 3 and 6 lb uplift at joint 1.
- This truss is designed in accordance with the 2018 International Residential Code sections R502.11.1 and R802.10.2 and referenced standard ANSI/TPI 1.

LOAD CASE(S) Standard

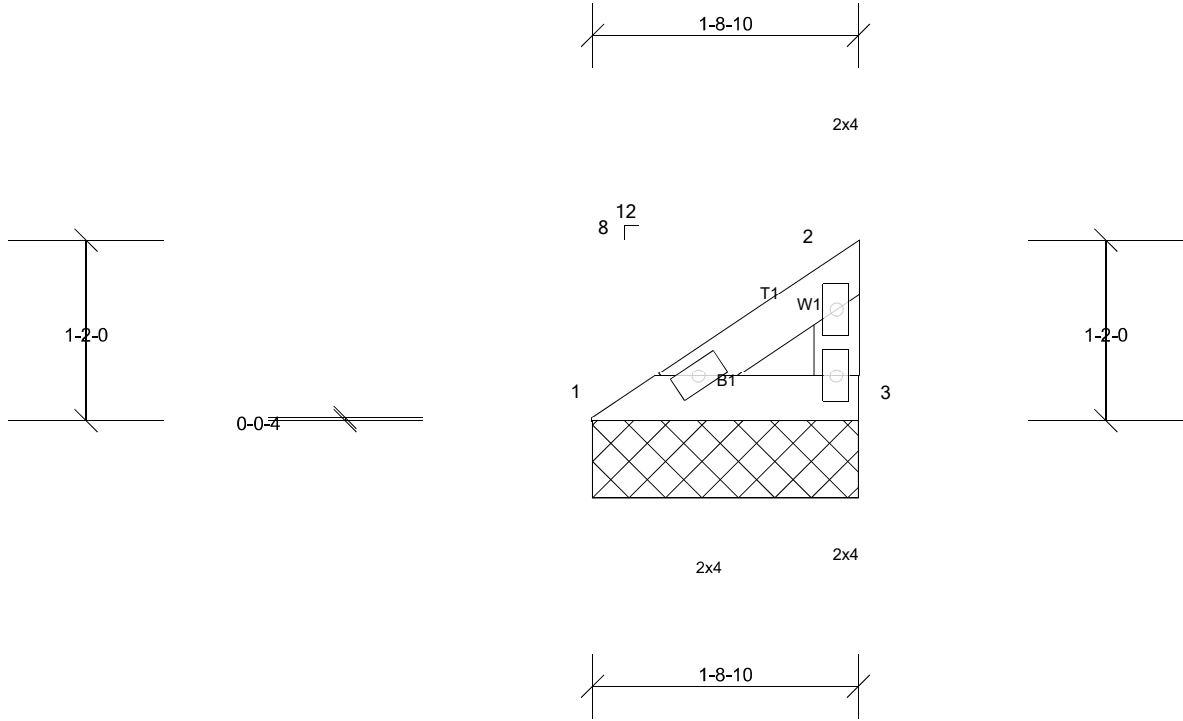
Job Trinity	Truss V22	Truss Type Valley	Qty 1	Ply 1	Job Reference (optional)
----------------	--------------	----------------------	----------	----------	--------------------------

Carter Components, Sanford, NC, user

Run: 8.53 S Mar 28 2022 Print: 8.530 S Mar 28 2022 MiTek Industries, Inc. Thu May 19 09:11:34

Page: 1

ID:tH4EbHjKwccTuqwtOULcKyzHxuO-EUziBfWe0Y?k2Crv7hJuaHxKaeD5JGVK9Ro6ZMzF?3t



Scale = 1:14.9

Loading	(psf)	Spacing	2-0-0	CSI	DEFL	in	(loc)	l/defl	L/d	PLATES	GRIP	
TCLL (roof)	20.0	Plate Grip DOL	1.15	TC	0.02	Vert(LL)	n/a	-	n/a	999	MT20	244/190
Snow (Pf)	20.0	Lumber DOL	1.15	BC	0.04	Vert(TL)	n/a	-	n/a	999		
TCDL	10.0	Rep Stress Incr	YES	WB	0.00	Horiz(TL)	n/a	-	n/a	n/a		
BCLL	0.0*	Code	IRC2018/TPI2014	Matrix-MP								
BCDL	10.0										Weight: 6 lb	FT = 20%

LUMBER

TOP CHORD 2x4 SP No.2
 BOT CHORD 2x4 SP No.2
 WEBS 2x4 SP No.3

BRACING

TOP CHORD Structural wood sheathing directly applied or 1-8-10 oc purlins, except end verticals.
 BOT CHORD Rigid ceiling directly applied or 10-0-0 oc bracing.

REACTIONS (lb/size) 1=63/1-8-10, (min. 0-1-8), 3=63/1-8-10, (min. 0-1-8)
 Max Horiz 1=30 (LC 11)
 Max Uplift 1=-5 (LC 14), 3=-15 (LC 14)
 Max Grav 1=81 (LC 20), 3=81 (LC 20)

MiTek recommends that Stabilizers and required cross bracing be installed during truss erection, in accordance with Stabilizer Installation guide.

FORCES (lb) - Max. Comp./Max. Ten. - All forces 250 (lb) or less except when shown.

NOTES

- Wind: ASCE 7-16; Vult=130mph (3-second gust) Vasd=103mph; TCDL=6.0psf; BCDL=6.0psf; h=25ft; Cat. II; Exp B; Enclosed; MWFRS (envelope) exterior zone and C-C Exterior(2E) zone; cantilever left and right exposed; end vertical left and right exposed; C-C for members and forces & MWFRS for reactions shown; Lumber DOL=1.60 plate grip DOL=1.60
- TCLL: ASCE 7-16; Pr=20.0 psf (roof LL: Lum DOL=1.15 Plate DOL=1.15); Pf=20.0 psf (Lum DOL=1.15 Plate DOL=1.15); Is=1.0; Rough Cat B; Fully Exp.; Ce=0.9; Cs=1.00; Ct=1.10
- Unbalanced snow loads have been considered for this design.
- Gable requires continuous bottom chord bearing.
- This truss has been designed for a 10.0 psf bottom chord live load nonconcurrent with any other live loads.
- * This truss has been designed for a live load of 20.0psf on the bottom chord in all areas where a rectangle 3-06-00 tall by 2-00-00 wide will fit between the bottom chord and any other members.
- Provide mechanical connection (by others) of truss to bearing plate capable of withstanding 15 lb uplift at joint 3 and 5 lb uplift at joint 1.
- This truss is designed in accordance with the 2018 International Residential Code sections R502.11.1 and R802.10.2 and referenced standard ANSI/TPI 1.

LOAD CASE(S) Standard