

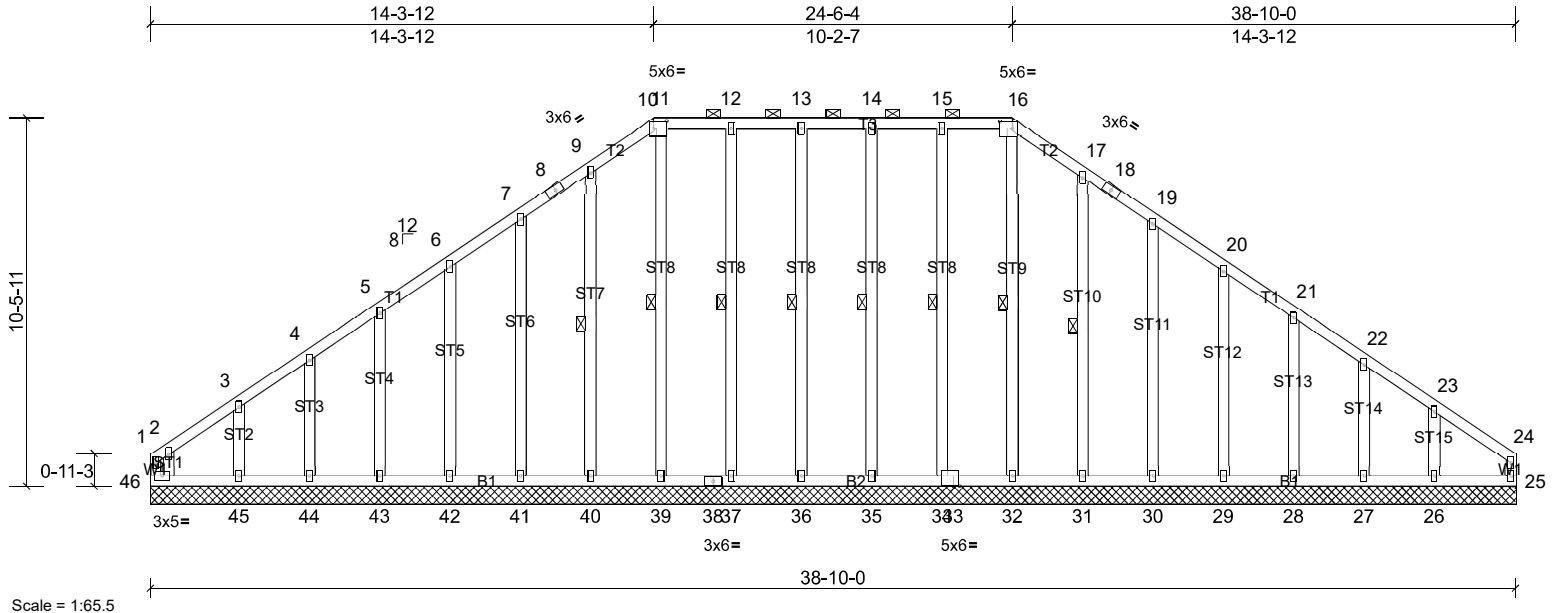
Job 22050129 - Base house	Truss A1	Truss Type Piggyback Base Supported Gable	Qty 1	Ply 1	Job Reference (optional)
------------------------------	-------------	--	----------	----------	--------------------------

Carter Components - Sanford, Sanford, NC, user

Run: 8.53 S Mar 28 2022 Print: 8.530 S Mar 28 2022 MiTek Industries, Inc. Wed May 25 14:19:27

Page: 1

ID:p7SafMqETF1yP1?2bgwmKDzD8Og-T__45B82Zlbeq9hmXgVWRszjUPmKJfPzvoi6V9zD5g_



Scale = 1:65.5

Plate Offsets (X, Y): [10:0-4-8,0-2-8], [16:0-4-4,0-2-4], [33:0-2-0,0-0-4]

Loading	(psf)	Spacing	2-0-0	CSI	DEFL	in	(loc)	l/defl	L/d	PLATES	GRIP	
TCLL (roof)	20.0	Plate Grip DOL	1.15	TC	0.11	Vert(LL)	n/a	-	n/a	999	MT20	244/190
Snow (Pf/Pg)	18.9/20.0	Lumber DOL	1.15	BC	0.07	Vert(TL)	n/a	-	n/a	999		
TCDL	10.0	Rep Stress Incr	YES	WB	0.14	Horiz(TL)	0.01	25	n/a	n/a		
BCLL	0.0*	Code	IRC2018/TPI2014	Matrix-MR								
BCDL	10.0											
											Weight: 311 lb	FT = 20%

LUMBER
TOP CHORD 2x4 SP No.2
BOT CHORD 2x4 SP No.2
WEBS 2x4 SP No.3
OTHERS 2x4 SP No.3

BRACING
TOP CHORD Structural wood sheathing directly applied or 6-0-0 oc purlins, except end verticals, and 2-0-0 oc purlins (6-0-0 max.): 10-16.
BOT CHORD Rigid ceiling directly applied or 10-0-0 oc bracing.
WEBS 1 Row at midpt 16-32, 15-34, 14-35, 13-36, 12-37, 11-39, 9-40, 17-31

MiTek recommends that Stabilizers and required cross bracing be installed during truss erection, in accordance with Stabilizer Installation guide.

REACTIONS All bearings 38-10-0.
(lb) - Max Horiz 46=-197 (LC 9)
Max Uplift All uplift 100 (lb) or less at joint(s) 25, 26, 27, 28, 29, 30, 31, 34, 35, 36, 37, 40, 41, 42, 43, 44, 45, 46
Max Grav All reactions 250 (lb) or less at joint (s) 25, 26, 27, 28, 29, 30, 31, 32, 34, 35, 36, 37, 39, 40, 41, 42, 43, 44, 45, 46

FORCES (lb) - Max. Comp./Max. Ten. - All forces 250 (lb) or less except when shown.
TOP CHORD 7-8=-173/250, 8-9=-161/256, 9-10=-199/302, 10-11=-171/271, 11-12=-171/271, 12-13=-171/271, 13-14=-171/271, 14-15=-171/271, 15-16=-171/271, 16-17=-201/304

NOTES
1) Unbalanced roof live loads have been considered for this design.

- 2) Wind: ASCE 7-16; Vult=130mph (3-second gust) Vasd=103mph; TCDL=6.0psf; BCDL=6.0psf; h=25ft; Cat. II; Exp B; Enclosed; MWFRS (envelope) and C-C Corner (3E) 0-1-12 to 4-0-6, Exterior(2N) 4-0-6 to 14-3-12, Corner(3R) 14-3-12 to 18-2-6, Exterior(2N) 18-2-6 to 24-6-4, Corner(3R) 24-6-4 to 28-6-4, Exterior(2N) 28-6-4 to 38-8-4 zone; cantilever left and right exposed; end vertical left and right exposed; C-C for members and forces & MWFRS for reactions shown; Lumber DOL=1.60 plate grip DOL=1.33
- 3) Truss designed for wind loads in the plane of the truss only. For studs exposed to wind (normal to the face), see Standard Industry Gable End Details as applicable, or consult qualified building designer as per ANSI/TPI 1.
- 4) TCLL: ASCE 7-16; Pr=20.0 psf (roof LL: Lum DOL=1.15 Plate DOL=1.15); Pg=20.0 psf; Pf=18.9 psf (Lum DOL=1.15 Plate DOL=1.15); Is=1.0; Rough Cat B; Fully Exp.; Ce=0.9; Cs=1.00; Ct=1.10, Lu=50-0-0; Min. flat roof snow load governs. Rain surcharge applied to all exposed surfaces with slopes less than 0.500/12 in accordance with IBC 1608.3.4.
- 5) Provide adequate drainage to prevent water ponding.
- 6) All plates are 2x4 MT20 unless otherwise indicated.
- 7) Gable requires continuous bottom chord bearing.
- 8) Truss to be fully sheathed from one face or securely braced against lateral movement (i.e. diagonal web).
- 9) Gable studs spaced at 2-0-0 oc.
- 10) * This truss has been designed for a live load of 20.0psf on the bottom chord in all areas where a rectangle 3-06-00 tall by 2-00-00 wide will fit between the bottom chord and any other members.
- 11) Provide mechanical connection (by others) of truss to bearing plate capable of withstanding 100 lb uplift at joint (s) 46, 25, 34, 35, 36, 37, 40, 41, 42, 43, 44, 45, 31, 30, 29, 28, 27, 26.
- 12) This truss is designed in accordance with the 2018 International Residential Code sections R502.11.1 and R802.10.2 and referenced standard ANSI/TPI 1.
- 13) Graphical purlin representation does not depict the size or the orientation of the purlin along the top and/or bottom chord.

LOAD CASE(S) Standard

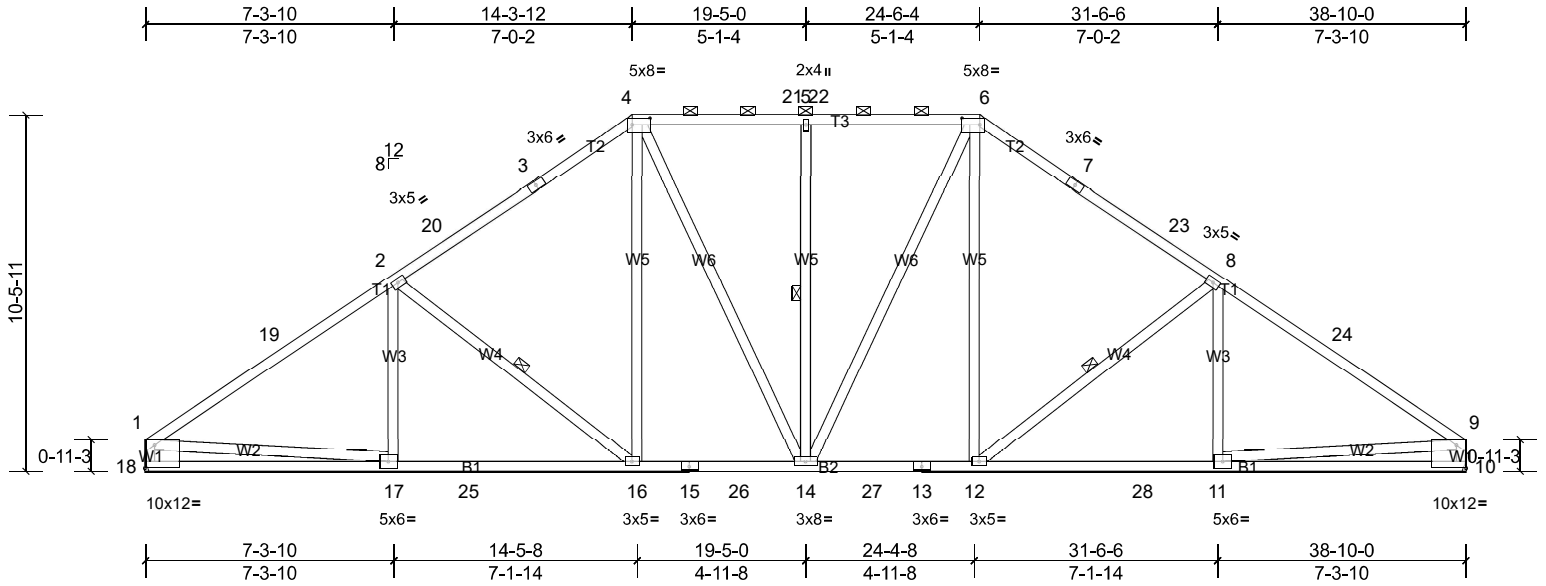
Job 22050129 - Base house	Truss A2	Truss Type Piggyback Base	Qty 4	Ply 1	Job Reference (optional)
------------------------------	-------------	------------------------------	----------	----------	--------------------------

Carter Components - Sanford, Sanford, NC, user

Run: 8.53 S Mar 28 2022 Print: 8.530 S Mar 28 2022 MiTek Industries, Inc. Wed May 25 14:19:27

Page: 1

ID: xMC3p_njP0XWwQIHmqsq9NzD80k-T__45B82Zibeg9hmXgVWRszYrPbFj77Zvoi6V9zD5g_



Scale = 1:67.8

Plate Offsets (X, Y): [4:0-6-4,0-2-4], [6:0-6-4,0-2-4], [10:Edge,0-8-2], [18:Edge,0-8-2]

Loading	(psf)	Spacing	2-0-0	CSI	DEFL	in	(loc)	l/defl	L/d	PLATES	GRIP
TCLL (roof)	20.0	Plate Grip DOL	1.15	TC	0.79	Vert(LL)	-0.14	16-17	>999	240	MT20 244/190
Snow (Pf/Pg)	18.9/20.0	Lumber DOL	1.15	BC	0.78	Vert(CT)	-0.26	16-17	>999	180	
TCDL	10.0	Rep Stress Incr	YES	WB	0.67	Horz(CT)	0.08	10	n/a	n/a	
BCLL	0.0*	Code	IRC2018/TPI2014	Matrix-MSH							
BCDL	10.0										Weight: 265 lb FT = 20%

LUMBER
TOP CHORD 2x4 SP No.2
BOT CHORD 2x4 SP No.2
WEBS 2x4 SP No.3

BRACING
TOP CHORD Structural wood sheathing directly applied, except end verticals, and 2-0-0 oc purlins (4-4-9 max.): 4-6.
BOT CHORD Rigid ceiling directly applied or 10-0-0 oc bracing.
WEBS 1 Row at midpt 2-16, 5-14, 8-12

MiTek recommends that Stabilizers and required cross bracing be installed during truss erection, in accordance with Stabilizer Installation guide.

REACTIONS (lb/size) 10=1356/ Mechanical, (min. 0-1-8), 18=1356/ Mechanical, (min. 0-1-8)
Max Horiz 18=-197 (LC 11)
Max Grav 10=1725 (LC 25), 18=1725 (LC 24)

FORCES (lb) - Max. Comp./Max. Ten. - All forces 250 (lb) or less except when shown.

TOP CHORD
1-19=-2397/72, 2-19=-2219/99,
2-20=-1973/133, 3-20=-1860/156,
3-4=-1857/175, 4-21=-1664/188,
5-21=-1664/188, 5-22=-1664/188,
6-22=-1664/188, 6-7=-1857/175,
7-23=-1860/156, 8-23=-1973/133,
8-24=-2219/99, 9-24=-2397/72,
1-18=-1609/87, 9-10=-1609/87

BOT CHORD
17-18=-178/477, 17-25=-58/2024,
16-25=-58/2024, 15-16=0/1582,
15-26=0/1582, 14-26=0/1582, 14-27=0/1555,
13-27=0/1555, 12-13=0/1555,
12-28=-13/1921, 11-28=-13/1921,
10-11=-49/335

WEBS
2-16=-567/110, 4-16=0/602, 4-14=-104/352,
5-14=-330/83, 6-14=-104/352, 6-12=0/602,
8-12=-567/110, 1-17=-7/1618, 9-11=-5/1618

NOTES
1) Unbalanced roof live loads have been considered for this design.

- 2) Wind: ASCE 7-16; Vult=130mph (3-second gust) Vasd=103mph; TCDL=6.0psf; BCDL=6.0psf; h=25ft; Cat. II; Exp B; Enclosed; MWFRS (envelope) and C-C Exterior(2E) 0-1-12 to 4-0-6, Interior (1) 4-0-6 to 14-3-12, Exterior(2R) 14-3-12 to 19-9-11, Interior (1) 19-9-11 to 24-6-4, Exterior(2R) 24-6-4 to 30-0-2, Interior (1) 30-0-2 to 38-8-4 zone; cantilever left and right exposed ; end vertical left and right exposed;C-C for members and forces & MWFRS for reactions shown; Lumber DOL=1.60 plate grip DOL=1.33
- 3) TCLL: ASCE 7-16; Pr=20.0 psf (roof LL: Lum DOL=1.15 Plate DOL=1.15); Pg=20.0 psf; Pf=18.9 psf (Lum DOL=1.15 Plate DOL=1.15); Is=1.0; Rough Cat B; Fully Exp.; Ce=0.9; Cs=1.00; Ct=1.10, Lu=50-0-0; Min. flat roof snow load governs. Rain surcharge applied to all exposed surfaces with slopes less than 0.500/12 in accordance with IBC 1608.3.4.
- 4) Provide adequate drainage to prevent water ponding.
- 5) * This truss has been designed for a live load of 20.0psf on the bottom chord in all areas where a rectangle 3-06-00 tall by 2-00-00 wide will fit between the bottom chord and any other members, with BCDL = 10.0psf.
- 6) Refer to girder(s) for truss to truss connections.
- 7) This truss is designed in accordance with the 2018 International Residential Code sections R502.11.1 and R802.10.2 and referenced standard ANSI/TPI 1.
- 8) Graphical purlin representation does not depict the size or the orientation of the purlin along the top and/or bottom chord.

LOAD CASE(S) Standard

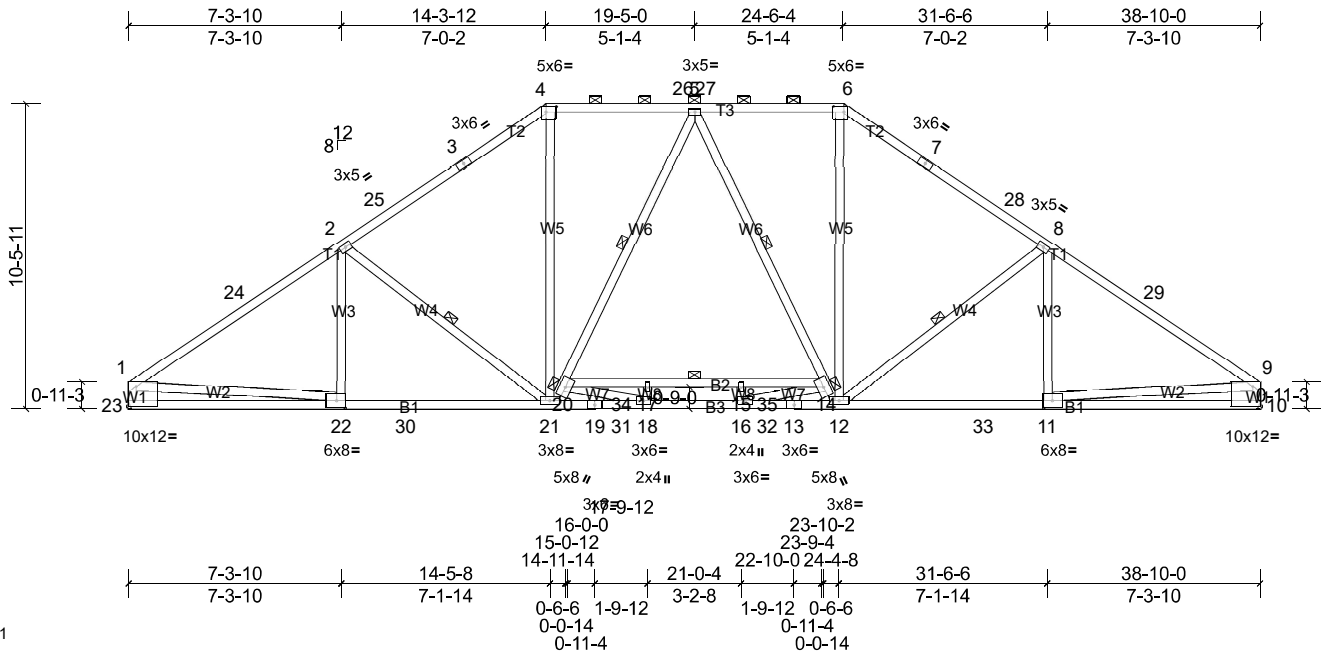
Job 22050129 - Base house	Truss A3	Truss Type Piggyback Base	Qty 1	Ply 1	Job Reference (optional)
------------------------------	-------------	------------------------------	----------	----------	--------------------------

Carter Components - Sanford, Sanford, NC, user

Run: 8.53 S Mar 28 2022 Print: 8.530 S Mar 28 2022 MiTek Industries, Inc. Wed May 25 14:19:28

Page: 1

ID: xMC3p_njP0XWwQiHMqsq9NzD8Ok-xAYTIX8gKvjVJGy5N0l_3WkNpw3SYBi8SRg0bzD5fz



Scale = 1:79.1

Plate Offsets (X, Y): [4:0-4-4,0-2-4], [6:0-4-4,0-2-4], [10:Edge,0-8-2], [11:0-3-8,0-3-0], [22:0-3-8,0-3-0], [23:Edge,0-8-2]

Loading	(psf)	Spacing	2-0-0	CSI	0.74	DEFL	in (loc)	l/defl	L/d	PLATES	GRIP	
TCLL (roof)	20.0	Plate Grip DOL	1.15	TC	0.74	Vert(LL)	-0.17	16-18	>999	240	MT20	244/190
Snow (Pf/Pg)	18.9/20.0	Lumber DOL	1.15	BC	0.87	Vert(CT)	-0.34	16-18	>999	180		
TCDL	10.0	Rep Stress Incr	YES	WB	0.81	Horz(CT)	0.07	10	n/a	n/a		
BCLL	0.0*	Code	IRC2018/TPI2014	Matrix-MSH								
BCDL	10.0											
											Weight: 273 lb	FT = 20%

LUMBER
TOP CHORD 2x4 SP No.1 *Except* T3:2x4 SP No.2
BOT CHORD 2x4 SP 2400F 2.0E *Except* B2:2x4 SP No.1
WEBS 2x4 SP No.3

BRACING
TOP CHORD Structural wood sheathing directly applied or 2-2-0 oc purlins, except end verticals, and 2-0-0 oc purlins (4-0-0 max.): 4-6.
BOT CHORD Rigid ceiling directly applied or 10-0-0 oc bracing. Except:
5-0-0 oc bracing: 14-20
WEBS 1 Row at midpt 2-21, 8-12, 5-20, 5-14

REACTIONS (lb/size) 10=1546/ Mechanical, (min. 0-1-8), 23=1546/ Mechanical, (min. 0-1-8)
Max Horiz 23=-197 (LC 9)
Max Grav 10=2013 (LC 25), 23=2013 (LC 24)

FORCES (lb) - Max. Comp./Max. Ten. - All forces 250 (lb) or less except when shown.
TOP CHORD 1-24=-2844/0, 2-24=-2665/0, 2-25=-2463/0, 3-25=-2349/0, 3-4=-2347/0, 4-26=-1969/0, 5-26=-1969/0, 5-27=-1969/0, 6-27=-1969/0, 6-7=-2347/0, 7-28=-2349/0, 8-28=-2463/0, 8-29=-2665/0, 9-29=-2844/0, 1-23=-1890/0, 9-10=-1890/0
BOT CHORD 22-23=-163/522, 22-30=0/2395, 21-30=0/2395, 19-21=0/2204, 19-31=0/2204, 18-31=0/2204, 16-18=0/3348, 16-32=0/2204, 13-32=0/2204, 12-13=0/2204, 12-33=0/2292, 11-33=0/2292, 10-11=-35/379, 20-34=-1530/0, 17-34=-1530/0, 15-17=-1530/0, 15-35=-1530/0, 14-35=-1530/0
WEBS 2-21=-521/134, 4-21=0/1030, 6-12=0/1030, 8-12=-521/134, 1-22=0/1945, 9-11=0/1945, 20-21=-634/0, 5-20=-304/134, 5-14=-304/134, 12-14=-634/0, 14-16=0/1378, 18-20=0/1378

- Unbalanced roof live loads have been considered for this design.
- Wind: ASCE 7-16; Vult=130mph (3-second gust) Vasd=103mph; TCDL=6.0psf; BCDL=6.0psf; h=25ft; Cat. II; Exp B; Enclosed; MWFRS (envelope) and C-C Exterior(2E) 0-1-12 to 4-0-6, Interior (1) 4-0-6 to 14-3-12, Exterior(2R) 14-3-12 to 19-9-11, Interior (1) 19-9-11 to 24-6-4, Exterior(2R) 24-6-4 to 30-0-2, Interior (1) 30-0-2 to 38-8-4 zone; cantilever left and right exposed; end vertical left and right exposed; C-C for members and forces & MWFRS for reactions shown; Lumber DOL=1.60 plate grip DOL=1.33
- TCLL: ASCE 7-16; Pr=20.0 psf (roof LL: Lum DOL=1.15 Plate DOL=1.15); Pg=20.0 psf; Pf=18.9 psf (Lum DOL=1.15 Plate DOL=1.15); Is=1.0; Rough Cat B; Fully Exp.; Ce=0.9; Cs=1.00; Ct=1.10, Lu=50-0-0; Min. flat roof snow load governs. Rain surcharge applied to all exposed surfaces with slopes less than 0.500/12 in accordance with IBC 1608.3.4.
- 200.0lb AC unit load placed on the bottom chord, 19-5-0 from left end, supported at two points, 5-0-0 apart.
- Provide adequate drainage to prevent water ponding.
- * This truss has been designed for a live load of 20.0psf on the bottom chord in all areas where a rectangle 3-06-00 tall by 2-00-00 wide will fit between the bottom chord and any other members, with BCDL = 10.0psf.
- Refer to girder(s) for truss to truss connections.
- This truss is designed in accordance with the 2018 International Residential Code sections R502.11.1 and R802.10.2 and referenced standard ANSI/TPI 1.
- Graphical purlin representation does not depict the size or the orientation of the purlin along the top and/or bottom chord.

LOAD CASE(S) Standard

NOTES

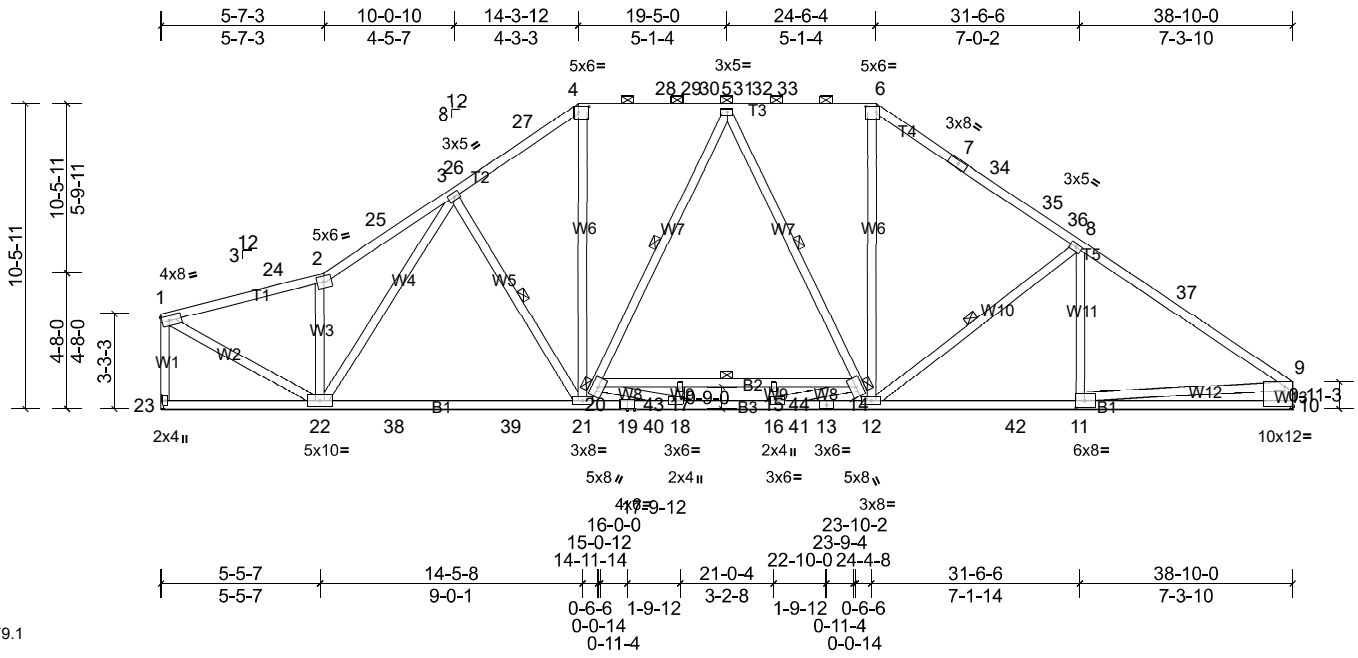
Job 22050129 - Base house	Truss A4	Truss Type Piggyback Base	Qty 1	Ply 1	Job Reference (optional)
------------------------------	-------------	------------------------------	----------	----------	--------------------------

Carter Components - Sanford, Sanford, NC, user

Run: 8.53 S Mar 28 2022 Print: 8.530 S Mar 28 2022 MiTek Industries, Inc. Wed May 25 14:19:28

Page: 1

ID:MC3p_njP0XWwQIHmqsq9NzD8Ok-xAYTIX8gKcjVJGy5NOI_3WmypyxSXPi8SRg0bzD5fz



Scale = 1:79.1

Plate Offsets (X, Y): [4:0-4-4,0-2-4], [6:0-4-4,0-2-4], [10:Edge,0-8-2], [11:0-3-8,0-3-0]

Loading	(psf)	Spacing	2-0-0	CSI	DEFL	in (loc)	l/defl	L/d	PLATES	GRIP		
TCLL (roof)	20.0	Plate Grip DOL	1.15	TC	0.64	Vert(LL)	-0.23	21-22	>999	240	MT20	244/190
Snow (Pf/Pg)	18.9/20.0	Lumber DOL	1.15	BC	0.77	Vert(CT)	-0.40	21-22	>999	180		
TCDL	10.0	Rep Stress Incr	YES	WB	0.86	Horz(CT)	0.07	10	n/a	n/a		
BCLL	0.0*	Code	IRC2018/TPI2014	Matrix-MSH								
BCDL	10.0											
											Weight: 283 lb	FT = 20%

LUMBER
TOP CHORD 2x4 SP No.2 *Except* T4,T5:2x4 SP 2400F 2.0E
BOT CHORD 2x4 SP 2400F 2.0E *Except* B2:2x4 SP No.1
WEBS 2x4 SP No.3 *Except* W2:2x4 SP No.2

BRACING
TOP CHORD Structural wood sheathing directly applied or 3-1-2 oc purlins, except end verticals, and 2-0-0 oc purlins (3-9-12 max.): 4-6.
BOT CHORD Rigid ceiling directly applied or 10-0-0 oc bracing. Except:
5-2-0 oc bracing: 14-20
WEBS 1 Row at midpt 8-12, 3-21, 5-20, 5-14

NOTES
1) Unbalanced roof live loads have been considered for this design.
2) Wind: ASCE 7-16; Vult=130mph (3-second gust) Vasd=103mph; TCCL=6.0psf; BCDL=6.0psf; h=25ft; Cat. II; Exp B; Enclosed; MWFRS (envelope) and C-C Exterior(2E) 11-1-12 to 15-0-6, Interior (1) 15-0-6 to 25-3-12, Exterior(2R) 25-3-12 to 29-2-6, Interior (1) 29-2-6 to 35-6-4, Exterior(2R) 35-6-4 to 39-4-13, Interior (1) 39-4-13 to 49-8-4 zone; cantilever left and right exposed; end vertical left and right exposed; C-C for members and forces & MWFRS for reactions shown; Lumber DOL=1.60 plate grip DOL=1.33
3) TCLL: ASCE 7-16; Pr=20.0 psf (roof LL: Lum DOL=1.15 Plate DOL=1.15); Pg=20.0 psf; Pf=18.9 psf (Lum DOL=1.15 Plate DOL=1.15); Is=1.0; Rough Cat B; Fully Exp.; Ce=0.9; Cs=1.00; Ct=1.10, Lu=50-0-0; Min. flat roof snow load governs. Rain surcharge applied to all exposed surfaces with slopes less than 0.500/12 in accordance with IBC 1608.3.4.
4) Unbalanced snow loads have been considered for this design.
5) 200.0lb AC unit load placed on the bottom chord, 19-5-0 from left end, supported at two points, 5-0-0 apart.
6) Provide adequate drainage to prevent water ponding.
7) * This truss has been designed for a live load of 20.0psf on the bottom chord in all areas where a rectangle 3-06-00 tall by 2-00-00 wide will fit between the bottom chord and any other members, with BCDL = 10.0psf.
8) Refer to girder(s) for truss to truss connections.

9) This truss is designed in accordance with the 2018 International Residential Code sections R502.11.1 and R802.10.2 and referenced standard ANSI/TPI 1.
10) Graphical purlin representation does not depict the size or the orientation of the purlin along the top and/or bottom chord.

LOAD CASE(S) Standard

REACTIONS (lb/size) 10=1546/ Mechanical, (min. 0-1-8), 23=1546/ Mechanical, (min. 0-1-8)
Max Horiz 23=193 (LC 12)
Max Grav 10=2084 (LC 53), 23=2023 (LC 3)

FORCES (lb) - Max. Comp./Max. Ten. - All forces 250 (lb) or less except when shown.
TOP CHORD
1-24=-2365/110, 2-24=-2340/118,
2-25=-2852/217, 3-25=-2766/234,
3-26=-2488/150, 26-27=-2472/166,
4-27=-2376/179, 4-28=-1998/192,
28-29=-1998/192, 29-30=-1998/192,
5-30=-1998/192, 5-31=-1995/191,
31-32=-1995/191, 32-33=-1995/191,
6-33=-1995/191, 6-7=-2375/168,
7-34=-2381/149, 34-35=-2418/142,
35-36=-2525/126, 8-36=-2544/121,
8-37=-2786/143, 9-37=-2976/116,
9-10=-1960/141, 1-23=-1960/127

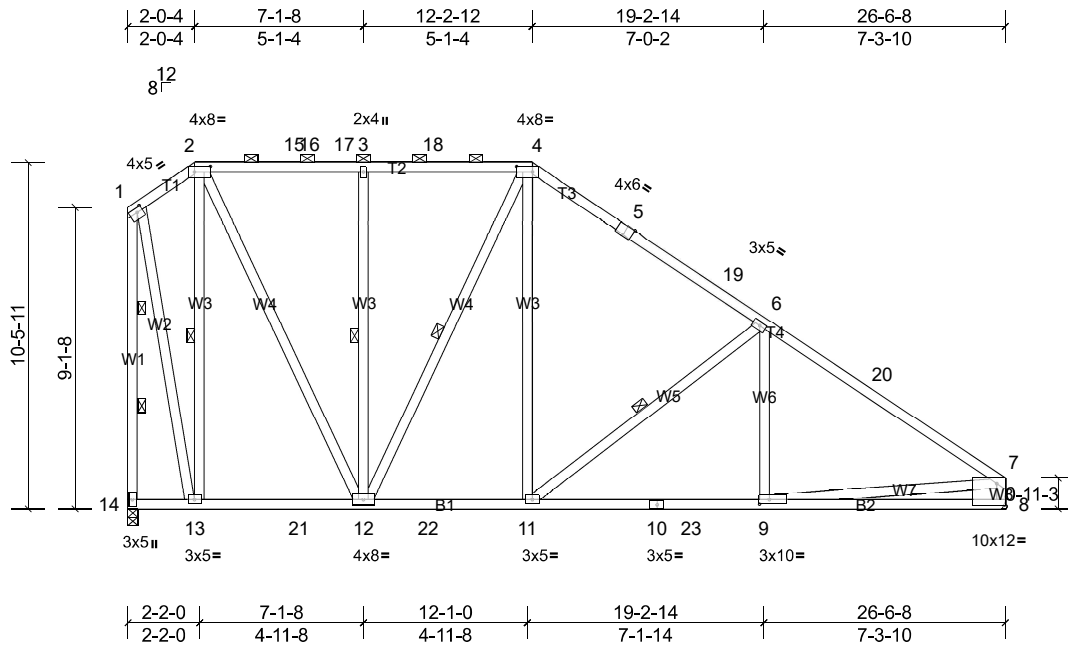
Job 22050129 - Base house	Truss A6	Truss Type Piggyback Base	Qty 1	Ply 1	Job Reference (optional)
------------------------------	-------------	------------------------------	----------	----------	--------------------------

Carter Components - Sanford, Sanford, NC, user

Run: 8.53 S Mar 28 2022 Print: 8.530 S Mar 28 2022 MiTek Industries, Inc. Wed May 25 14:19:29

Page: 1

ID: LxuCR0qbixv5ntQs1yPXn?zD80h-PM6rWt9J4wrMwTr8f5X_XH3rNClab4crM6BDZ2zD5fy



Scale = 1:69.7

Plate Offsets (X, Y): [1:Edge,0-1-12], [2:0-5-12,0-2-0], [4:0-5-12,0-2-0], [5:0-3-0,Edge], [8:Edge,0-8-2], [9:0-3-8,0-1-8]

Loading	(psf)	Spacing	2-0-0	CSI	DEFL	in	(loc)	l/defl	L/d	PLATES	GRIP	
TCLL (roof)	20.0	Plate Grip DOL	1.15	TC	0.98	Vert(LL)	-0.10	9-11	>999	240	MT20	244/190
Snow (Pf/Pg)	18.9/20.0	Lumber DOL	1.15	BC	0.66	Vert(CT)	-0.18	9-11	>999	180		
TCDL	10.0	Rep Stress Incr	YES	WB	0.48	Horz(CT)	0.03	8	n/a	n/a		
BCLL	0.0*	Code	IRC2018/TPI2014	Matrix-MSH								
BCDL	10.0											
											Weight: 219 lb	FT = 20%

LUMBER

TOP CHORD 2x4 SP No.2
 BOT CHORD 2x4 SP No.2
 WEBS 2x4 SP No.3

BRACING

TOP CHORD Structural wood sheathing directly applied or 1-7-8 oc purlins, except end verticals, and 2-0-0 oc purlins (6-0-0 max.): 2-4.

BOT CHORD Rigid ceiling directly applied or 10-0-0 oc bracing.

WEBS 1 Row at midpt 2-13, 3-12, 4-12, 6-11
 WEBS 2 Rows at 1/3 pts 1-14

MiTek recommends that Stabilizers and required cross bracing be installed during truss erection, in accordance with Stabilizer Installation guide.

REACTIONS (lb/size) 8=916/ Mechanical, (min. 0-1-8), 14=964/0-3-8, (min. 0-1-8)

Max Horiz 14=-281 (LC 13)
 Max Grav 8=1248 (LC 49), 14=1229 (LC 44)

FORCES (lb) - Max. Comp./Max. Ten. - All forces 250 (lb) or less except when shown.

TOP CHORD 1-2=-353/219, 2-15=-648/197, 15-16=-648/197, 16-17=-648/197, 3-17=-648/197, 3-18=-648/197, 4-18=-648/197, 4-5=-929/197, 5-19=-937/177, 6-19=-1098/154, 6-20=-1464/139, 7-20=-1653/112, 1-14=-1221/148, 7-8=-1135/113
 BOT CHORD 13-14=-269/343, 13-21=-112/330, 12-21=-112/330, 12-22=0/803, 11-22=0/803, 10-11=-46/1299, 10-23=-46/1299, 9-23=-46/1299, 8-9=-53/302
 WEBS 1-13=-164/1082, 2-13=-884/257, 2-12=-146/942, 3-12=-530/98, 4-12=-553/105, 4-11=-15/703, 6-11=-748/144, 6-9=0/280, 7-9=0/1043

NOTES

1) Unbalanced roof live loads have been considered for this design.

- 2) Wind: ASCE 7-16; Vult=130mph (3-second gust) Vasd=103mph; TC DL=6.0psf; BCDL=6.0psf; h=25ft; Cat. II; Exp B; Enclosed; MWFRS (envelope) and C-C Exterior(2E) 12-5-4 to 14-3-12, Exterior(2R) 14-3-12 to 17-3-12, Interior (1) 17-3-12 to 24-6-4, Exterior(2R) 24-6-4 to 27-6-4, Interior (1) 27-6-4 to 38-8-4 zone; cantilever left and right exposed ; end vertical left and right exposed;C-C for members and forces & MWFRS for reactions shown; Lumber DOL=1.60 plate grip DOL=1.33
- 3) TCLL: ASCE 7-16; Pr=20.0 psf (roof LL: Lum DOL=1.15 Plate DOL=1.15); Pg=20.0 psf; Pf=18.9 psf (Lum DOL=1.15 Plate DOL=1.15); Is=1.0; Rough Cat B; Fully Exp.; Ce=0.9; Cs=1.00; Ct=1.10, Lu=50-0-0; Min. flat roof snow load governs. Rain surcharge applied to all exposed surfaces with slopes less than 0.500/12 in accordance with IBC 1608.3.4.
- 4) Unbalanced snow loads have been considered for this design.
- 5) Provide adequate drainage to prevent water ponding.
- 6) * This truss has been designed for a live load of 20.0psf on the bottom chord in all areas where a rectangle 3-06-00 tall by 2-00-00 wide will fit between the bottom chord and any other members, with BCDL = 10.0psf.
- 7) Refer to girder(s) for truss to truss connections.
- 8) One RT7A MiTek connectors recommended to connect truss to bearing walls due to UPLIFT at jt(s) 14. This connection is for uplift only and does not consider lateral forces.
- 9) This truss is designed in accordance with the 2018 International Residential Code sections R502.11.1 and R802.10.2 and referenced standard ANSI/TPI 1.
- 10) Graphical purlin representation does not depict the size or the orientation of the purlin along the top and/or bottom chord.

LOAD CASE(S) Standard

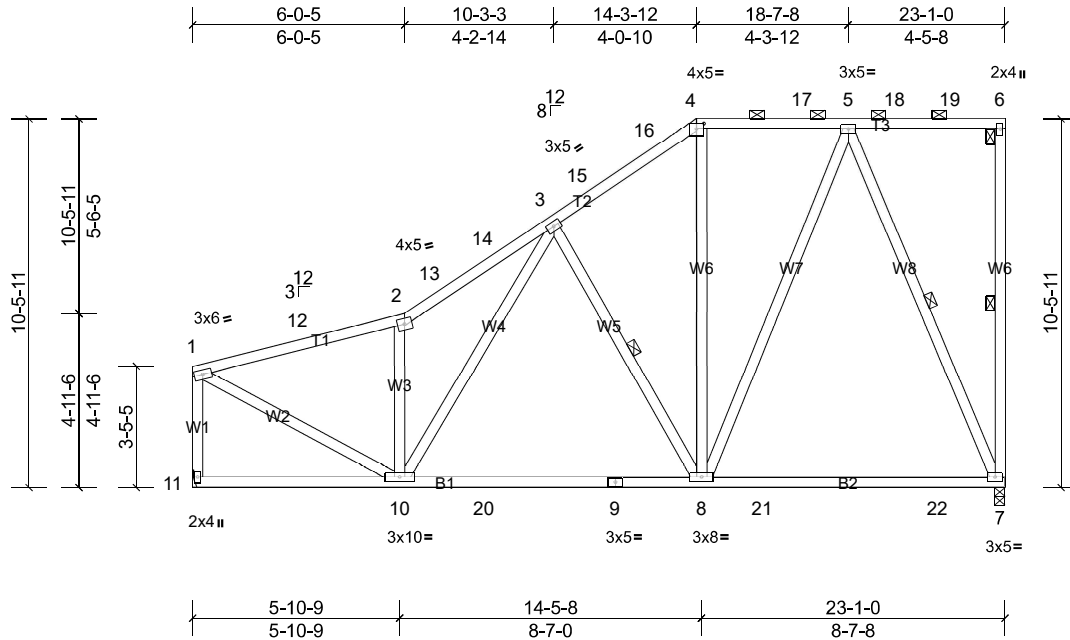
Job 22050129 - Base house	Truss A7	Truss Type Piggyback Base	Qty 3	Ply 1	Job Reference (optional)
------------------------------	-------------	------------------------------	----------	----------	--------------------------

Carter Components - Sanford, Sanford, NC, user

Run: 8.53 S Mar 28 2022 Print: 8.530 S Mar 28 2022 MiTek Industries, Inc. Wed May 25 14:19:29

Page: 1

ID:p7SafMqETF1yP1?2bgwmKDzD8Og-PM6rW9J4wrMwTr8f5X_XH3xUCDQB22rM6BDZ2zD5fy



Scale = 1:65.5

Plate Offsets (X, Y): [4:0-2-8,0-1-13]

Loading	(psf)	Spacing	2-0-0	CSI	DEFL	in	(loc)	l/defl	L/d	PLATES	GRIP
TCLL (roof)	20.0	Plate Grip DOL	1.15	TC	0.59	Vert(LL)	-0.29	7-8	>956	240	MT20 244/190
Snow (Pf/Pg)	18.9/20.0	Lumber DOL	1.15	BC	0.99	Vert(CT)	-0.44	7-8	>615	180	
TCDL	10.0	Rep Stress Incr	YES	WB	0.58	Horz(CT)	0.02	7	n/a	n/a	
BCLL	0.0*	Code	IRC2018/TPI2014	Matrix-MSH							
BCDL	10.0										Weight: 178 lb FT = 20%

LUMBER
TOP CHORD 2x4 SP No.2
BOT CHORD 2x4 SP No.2
WEBS 2x4 SP No.3

BRACING
TOP CHORD Structural wood sheathing directly applied or 4-8-11 oc purlins, except end verticals, and 2-0-0 oc purlins (6-0-0 max.): 4-6.
BOT CHORD Rigid ceiling directly applied or 2-2-0 oc bracing.
WEBS 1 Row at midpt 6-7, 5-7, 3-8

MiTek recommends that Stabilizers and required cross bracing be installed during truss erection, in accordance with Stabilizer Installation guide.

REACTIONS (lb/size) 7=842/0-3-8, (min. 0-1-8), 11=788/Mechanical, (min. 0-1-8)
Max Horiz 11=177 (LC 12)
Max Uplift 7=-24 (LC 12)
Max Grav 7=1107 (LC 45), 11=1014 (LC 3)

FORCES (lb) - Max. Comp./Max. Ten. - All forces 250 (lb) or less except when shown.
TOP CHORD 1-12=-1071/71, 2-12=-1048/80, 2-13=-1316/167, 13-14=-1243/172, 3-14=-1179/187, 3-15=-796/97, 15-16=-701/110, 4-16=-682/121, 4-17=-592/143, 5-17=-592/143, 1-11=-938/102
BOT CHORD 10-11=-320/166, 10-20=-251/851, 9-20=-251/851, 8-9=-251/851, 8-21=-98/357, 21-22=-98/357, 7-22=-98/357
WEBS 2-10=-674/186, 1-10=-32/1138, 5-8=-120/729, 5-7=-917/251, 3-8=-537/217, 3-10=-122/482

NOTES
1) Unbalanced roof live loads have been considered for this design.

- Wind: ASCE 7-16; Vult=130mph (3-second gust) Vasd=103mph; TCDL=6.0psf; BCDL=6.0psf; h=25ft; Cat. II; Exp B; Enclosed; MWFRS (envelope) and C-C Exterior(2E) 11-10-4 to 14-10-4, Interior (1) 14-10-4 to 26-0-4, Exterior(2R) 26-0-4 to 29-0-4, Interior (1) 29-0-4 to 34-7-12 zone; cantilever left and right exposed; end vertical left and right exposed; C-C for members and forces & MWFRS for reactions shown; Lumber DOL=1.60 plate grip DOL=1.33
- TCLL: ASCE 7-16; Pr=20.0 psf (roof LL: Lum DOL=1.15 Plate DOL=1.15); Pg=20.0 psf; Pf=18.9 psf (Lum DOL=1.15 Plate DOL=1.15); Is=1.0; Rough Cat B; Fully Exp.; Ce=0.9; Cs=1.00; Ct=1.10, Lu=50-0-0; Min. flat roof snow load governs. Rain surcharge applied to all exposed surfaces with slopes less than 0.500/12 in accordance with IBC 1608.3.4.
- Unbalanced snow loads have been considered for this design.
- Provide adequate drainage to prevent water ponding.
- * This truss has been designed for a live load of 20.0psf on the bottom chord in all areas where a rectangle 3-06-00 tall by 2-00-00 wide will fit between the bottom chord and any other members, with BCDL = 10.0psf.
- Refer to girder(s) for truss to truss connections.
- One RT7A MiTek connectors recommended to connect truss to bearing walls due to UPLIFT at jt(s) 7. This connection is for uplift only and does not consider lateral forces.
- This truss is designed in accordance with the 2018 International Residential Code sections R502.11.1 and R802.10.2 and referenced standard ANSI/TPI 1.
- Graphical purlin representation does not depict the size or the orientation of the purlin along the top and/or bottom chord.

LOAD CASE(S) Standard

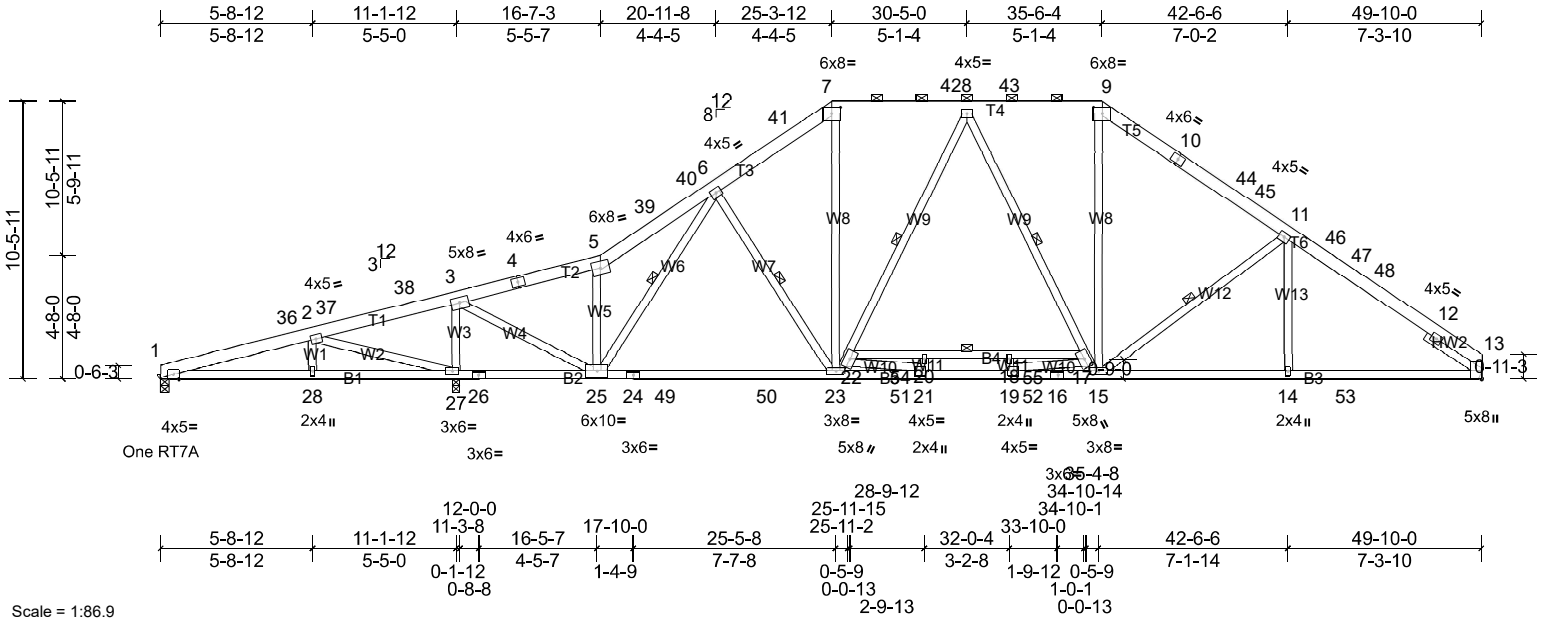
Job 22050129 - Base house	Truss A8	Truss Type Piggyback Base	Qty 1	Ply 1	Job Reference (optional)
------------------------------	-------------	------------------------------	----------	----------	--------------------------

Carter Components - Sanford, Sanford, NC, user

Run: 8.53 S Mar 28 2022 Print: 8.530 S Mar 28 2022 MiTek Industries, Inc. Wed May 25 14:19:30

Page: 1

ID: xMC3p_njP0XWwQiHMqsq9NzD8Ok-IzGdJDAxRzCxqQLDo3D3Ub63cavwTU?bwmw5UzD5fx



Scale = 1:86.9

Plate Offsets (X, Y): [1:0-2-4,Edge], [7:0-4-0,0-2-13], [9:0-4-0,0-2-13]

Loading	(psf)	Spacing	2-0-0	CSI	DEFL	in (loc)	l/defl	L/d	PLATES	GRIP		
TCLL (roof)	20.0	Plate Grip DOL	1.15	TC	0.60	Vert(LL)	-0.25	23-25	>999	240	MT20	244/190
Snow (Pf/Pg)	18.9/20.0	Lumber DOL	1.15	BC	0.91	Vert(CT)	-0.44	23-25	>999	180		
TCDL	10.0	Rep Stress Incr	YES	WB	0.76	Horz(CT)	0.10	13	n/a	n/a		
BCLL	0.0*	Code	IRC2018/TPI2014	Matrix-MSH								
BCDL	10.0											
											Weight: 364 lb	FT = 20%

LUMBER
 TOP CHORD 2x6 SP No.2 *Except* T4:2x6 SP 2400F 2.0E
 BOT CHORD 2x4 SP No.2 *Except* B3:2x4 SP No.1
 WEBS 2x4 SP No.3 *Except* W4:2x4 SP No.2
 SLIDER Right 2x4 SP No.3 -- 2-6-0

BRACING
 TOP CHORD Structural wood sheathing directly applied or 3-3-12 oc purlins, except 2-0-0 oc purlins (6-0-0 max.): 7-9.
 BOT CHORD Rigid ceiling directly applied or 4-11-8 oc bracing. Except: 4-10-0 oc bracing: 17-22
 WEBS 1 Row at midpt 8-23, 8-15, 11-15, 6-23, 6-25

WEBS
 5-25=-853/176, 7-23=0/953, 22-23=-714/0, 8-22=-358/106, 15-17=-559/0, 9-15=0/895, 11-15=-637/228, 11-14=0/284, 6-25=-432/0, 3-27=-2481/208, 3-25=-86/3093, 2-27=-990/162, 17-19=0/1228, 21-22=0/1197

8) * This truss has been designed for a live load of 20.0psf on the bottom chord in all areas where a rectangle 3-06-00 tall by 2-00-00 wide will fit between the bottom chord and any other members, with BCDL = 10.0psf.
 9) Refer to girder(s) for truss to truss connections.
 10) One RT7A MiTek connectors recommended to connect truss to bearing walls due to UPLIFT at jt(s) 1 and 27. This connection is for uplift only and does not consider lateral forces.
 11) This truss is designed in accordance with the 2018 International Residential Code sections R502.11.1 and R802.10.2 and referenced standard ANSI/TPI 1.
 12) Graphical purlin representation does not depict the size or the orientation of the purlin along the top and/or bottom chord.

MiTek recommends that Stabilizers and required cross bracing be installed during truss erection, in accordance with Stabilizer Installation guide.

NOTES
 1) Unbalanced roof live loads have been considered for this design.
 2) Wind: ASCE 7-16; Vult=130mph (3-second gust) Vasd=103mph; TC DL=6.0psf; BCDL=6.0psf; h=25ft; Cat. II; Exp B; Enclosed; MWFRS (envelope) and C-C Exterior(2E) 0-0-0 to 4-11-13, Interior (1) 4-11-13 to 25-3-12, Exterior(2R) 25-3-12 to 30-5-0, Interior (1) 30-5-0 to 35-6-4, Exterior(2R) 35-6-4 to 40-6-0, Interior (1) 40-6-0 to 49-10-0 zone; cantilever left and right exposed ; end vertical left and right exposed; C-C for members and forces & MWFRS for reactions shown; Lumber DOL=1.60 plate grip DOL=1.33
 3) TCLL: ASCE 7-16; Pr=20.0 psf (roof LL: Lum DOL=1.15 Plate DOL=1.15); Pg=20.0 psf; Pf=18.9 psf (Lum DOL=1.15 Plate DOL=1.15); Is=1.0; Rough Cat B; Fully Exp.; Ce=0.9; Cs=1.00; Ct=1.10, Lu=50-0-0; Min. flat roof snow load governs. Rain surcharge applied to all exposed surfaces with slopes less than 0.500/12 in accordance with IBC 1608.3.4.
 4) Unbalanced snow loads have been considered for this design.
 5) 200.0lb AC unit load placed on the bottom chord, 30-5-0 from left end, supported at two points, 5-0-0 apart.
 6) Provide adequate drainage to prevent water ponding.
 7) All plates are 4x5 MT20 unless otherwise indicated.

LOAD CASE(S) Standard

REACTIONS (lb/size) 1=124/0-3-8, (min. 0-1-8), 13=1474/ Mechanical, (min. 0-1-8), 27=2253/0-3-8, (min. 0-3-7)
 Max Horiz 1=188 (LC 12)
 Max Uplift 1=-59 (LC 11)
 Max Grav 1=176 (LC 58), 13=2003 (LC 53), 27=2923 (LC 3)

FORCES (lb) - Max. Comp./Max. Ten. - All forces 250 (lb) or less except when shown.
 TOP CHORD 1-36=-115/494, 2-36=-13/521, 2-37=-61/1173, 37-38=-53/1175, 3-38=-46/1232, 3-4=-1687/80, 4-5=-1662/94, 5-39=-2020/184, 39-40=-1953/186, 6-40=-1882/201, 6-41=-2249/169, 7-41=-2134/182, 7-42=-1801/196, 8-42=-1801/196, 8-43=-1897/209, 9-43=-1897/209, 9-10=-2237/178, 10-44=-2265/158, 44-45=-2323/140, 11-45=-2405/136, 11-46=-2738/164, 46-47=-2796/148, 47-48=-2838/143, 12-48=-2892/137, 12-13=-1093/52

Job 22050129 - Base house	Truss B1	Truss Type Piggyback Base Supported Gable	Qty 1	Ply 1	Job Reference (optional)
------------------------------	-------------	--	----------	----------	--------------------------

Carter Components - Sanford, Sanford, NC, user

Run: 8.53 S Mar 28 2022 Print: 8.530 S Mar 28 2022 MiTek Industries, Inc. Wed May 25 14:19:30

Page: 1

ID:Di7jHOt6iAPWGVkdGoUTyrzD8Od-lZgDjDAXrDzCXdxQLDo3D3U07cklwbw?bmmw5UzD5fx

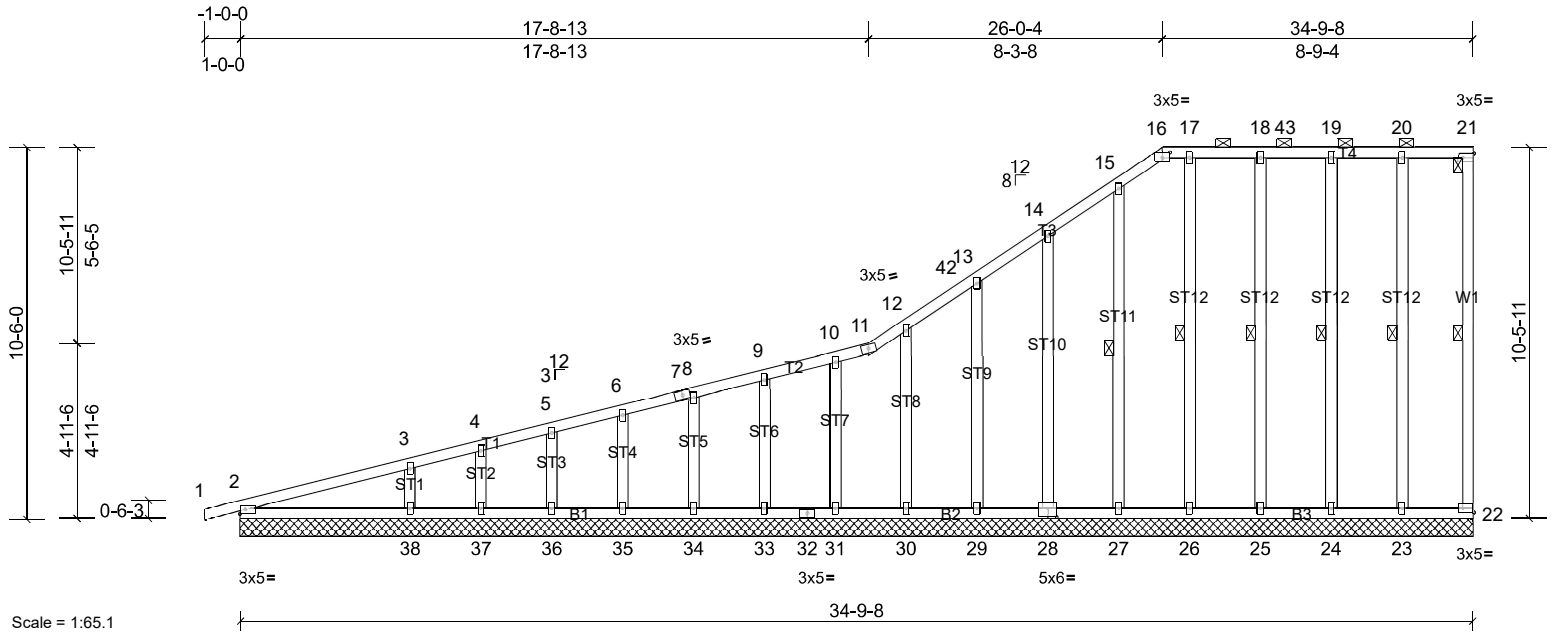


Plate Offsets (X, Y): [16:0-2-8,0-1-13], [21:Edge,0-1-8], [22:Edge,0-1-8], [28:0-3-0,0-3-0]

Loading	(psf)	Spacing	2-0-0	CSI	DEFL	in	(loc)	l/defl	L/d	PLATES	GRIP	
TCLL (roof)	20.0	Plate Grip DOL	1.15	TC	0.98	Vert(LL)	n/a	-	n/a	999	MT20	244/190
Snow (Pf/Pg)	18.9/20.0	Lumber DOL	1.15	BC	0.28	Vert(CT)	n/a	-	n/a	999		
TCDL	10.0	Rep Stress Incr	YES	WB	0.22	Horz(CT)	0.01	22	n/a	n/a		
BCLL	0.0*	Code	IRC2018/TPI2014	Matrix-MSH								
BCDL	10.0											
											Weight: 252 lb	FT = 20%

LUMBER
TOP CHORD 2x4 SP No.2
BOT CHORD 2x4 SP No.2
WEBS 2x4 SP No.3
OTHERS 2x4 SP No.3

BRACING
TOP CHORD Structural wood sheathing directly applied or 6-0-0 oc purlins, except end verticals, and 2-0-0 oc purlins (6-0-0 max.): 16-21.
BOT CHORD Rigid ceiling directly applied or 10-0-0 oc bracing.
WEBS 1 Row at midpt 21-22, 20-23, 19-24, 18-25, 17-26, 15-27

MiTek recommends that Stabilizers and required cross bracing be installed during truss erection, in accordance with Stabilizer Installation guide.

REACTIONS All bearings 34-9-8.
(lb) - Max Horiz 2=298 (LC 14), 39=298 (LC 14)
Max Uplift All uplift 100 (lb) or less at joint(s)
2, 22, 23, 24, 25, 26, 27, 28, 29, 30, 31, 33, 34, 35, 36, 37, 38, 39
Max Grav All reactions 250 (lb) or less at joint (s) 2, 22, 23, 24, 25, 26, 27, 28, 29, 30, 31, 33, 34, 35, 36, 37, 39 except 38=387 (LC 2)

FORCES (lb) - Max. Comp./Max. Ten. - All forces 250 (lb) or less except when shown.
TOP CHORD 2-3=-477/251, 3-4=-435/219, 4-5=-425/224, 5-6=-406/213, 6-7=-388/202, 7-8=-383/207, 8-9=-371/200, 9-10=-349/189, 10-11=-351/189, 11-12=-351/201, 12-42=-344/189, 13-42=-333/202, 13-14=-283/175
BOT CHORD 2-38=-306/200
WEBS 3-38=-265/123

NOTES

- 1) Wind: ASCE 7-16; Vult=130mph (3-second gust) Vasd=103mph; TCDL=6.0psf; BCDL=6.0psf; h=25ft; Cat. II; Exp B; Enclosed; MWFRS (envelope) and C-C Corner (3E) -0-11-13 to 2-5-15, Exterior(2N) 2-5-15 to 26-0-4, Corner(3R) 26-0-4 to 29-6-0, Exterior(2N) 29-6-0 to 34-7-12 zone; cantilever left and right exposed; end vertical left and right exposed; C-C for members and forces & MWFRS for reactions shown; Lumber DOL=1.60 plate grip DOL=1.33
- 2) Truss designed for wind loads in the plane of the truss only. For studs exposed to wind (normal to the face), see Standard Industry Gable End Details as applicable, or consult qualified building designer as per ANSI/TPI 1.
- 3) TCLL: ASCE 7-16; Pr=20.0 psf (roof LL: Lum DOL=1.15 Plate DOL=1.15); Pg=20.0 psf; Pf=18.9 psf (Lum DOL=1.15 Plate DOL=1.15); Is=1.0; Rough Cat B; Fully Exp.; Ce=0.9; Cs=1.00; Ct=1.10, Lu=50-0-0; Min. flat roof snow load governs. Rain surcharge applied to all exposed surfaces with slopes less than 0.500/12 in accordance with IBC 1608.3.4.
- 4) Unbalanced snow loads have been considered for this design.
- 5) This truss has been designed for greater of min roof live load of 12.0 psf or 2.00 times flat roof load of 13.9 psf on overhangs non-concurrent with other live loads.
- 6) Provide adequate drainage to prevent water ponding.
- 7) All plates are 2x4 MT20 unless otherwise indicated.
- 8) Gable requires continuous bottom chord bearing.
- 9) Gable studs spaced at 2-0-0 oc.
- 10) * This truss has been designed for a live load of 20.0psf on the bottom chord in all areas where a rectangle 3-06-00 tall by 2-00-00 wide will fit between the bottom chord and any other members.
- 11) Provide mechanical connection (by others) of truss to bearing plate capable of withstanding 100 lb uplift at joint (s) 22, 23, 24, 25, 26, 27, 28, 29, 30, 31, 33, 34, 35, 36, 37, 38, 2, 2.
- 12) This truss is designed in accordance with the 2018 International Residential Code sections R502.11.1 and R802.10.2 and referenced standard ANSI/TPI 1.
- 13) Graphical purlin representation does not depict the size or the orientation of the purlin along the top and/or bottom chord.

LOAD CASE(S) Standard

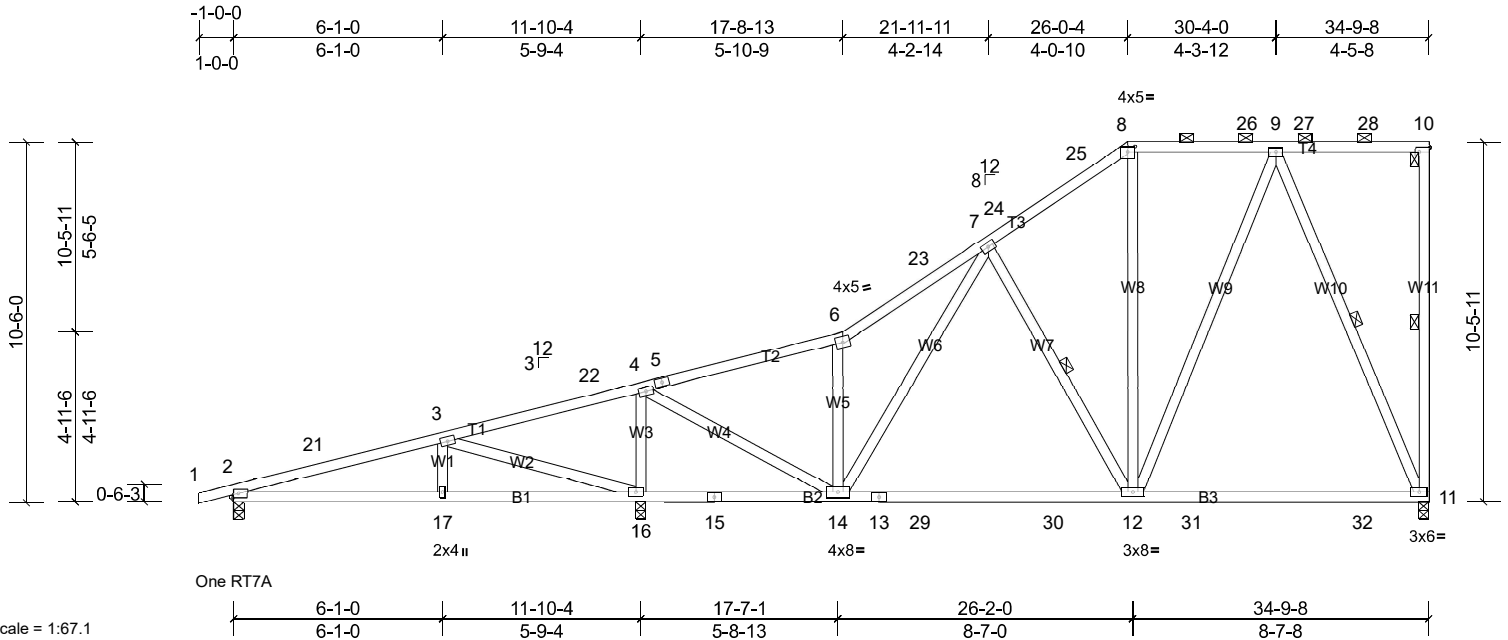
Job 22050129 - Base house	Truss B2	Truss Type Piggyback Base	Qty 6	Ply 1	Job Reference (optional)
------------------------------	-------------	------------------------------	----------	----------	--------------------------

Carter Components - Sanford, Sanford, NC, user

Run: 8.53 S Mar 28 2022 Print: 8.530 S Mar 28 2022 MiTek Industries, Inc. Wed May 25 14:19:31

Page: 1

ID:2sU_YRxtL0Ag_QBnd3btB6zD8OX-LIEbwZBzCx539n?XmWaSci8HL0wqfxf8qgKdwzD5fw



Scale = 1:67.1

Plate Offsets (X, Y): [8:0-2-8,0-1-13], [10:Edge,0-1-8]

Loading	(psf)	Spacing	2-0-0	CSI	DEFL	in	(loc)	l/defl	L/d	PLATES	GRIP	
TCLL (roof)	20.0	Plate Grip DOL	1.15	TC	0.63	Vert(LL)	-0.24	11-12	>999	240	MT20	244/190
Snow (Pf/Pg)	18.9/20.0	Lumber DOL	1.15	BC	0.93	Vert(CT)	-0.38	11-12	>729	180		
TCDL	10.0	Rep Stress Incr	YES	WB	0.70	Horz(CT)	0.02	11	n/a	n/a		
BCLL	0.0*	Code	IRC2018/TPI2014	Matrix-MSH								
BCDL	10.0											
											Weight: 225 lb	FT = 20%

LUMBER
TOP CHORD 2x4 SP No.2
BOT CHORD 2x4 SP No.2
WEBS 2x4 SP No.3 *Except* W11:2x4 SP No.2

BRACING
TOP CHORD Structural wood sheathing directly applied or 5-7-9 oc purlins, except end verticals, and 2-0-0 oc purlins (6-0-0 max.): 8-10.
BOT CHORD Rigid ceiling directly applied or 2-2-0 oc bracing.
WEBS 1 Row at midpt 10-11, 9-11, 7-12

MiTek recommends that Stabilizers and required cross bracing be installed during truss erection, in accordance with Stabilizer Installation guide.

REACTIONS (lb/size) 2=322/0-3-8, (min. 0-1-8), 11=775/0-3-8, (min. 0-1-8), 16=1382/0-3-8, (min. 0-2-1)
Max Horiz 2=298 (LC 14)
Max Uplift 2=-48 (LC 11), 11=-37 (LC 12), 16=-12 (LC 15)
Max Grav 2=401 (LC 33), 11=1042 (LC 46), 16=1767 (LC 3)

FORCES (lb) - Max. Comp./Max. Ten. - All forces 250 (lb) or less except when shown.
TOP CHORD 2-21=-535/55, 3-21=-504/70, 3-22=-293/518, 4-22=-278/581, 4-5=-848/92, 5-6=-827/108, 6-23=-1040/203, 7-23=-888/218, 7-24=-755/199, 24-25=-659/211, 8-25=-636/223, 8-26=-545/217, 9-26=-545/217
BOT CHORD 2-17=-353/468, 16-17=-334/468, 15-16=-608/102, 14-15=-608/102, 13-14=-288/755, 13-29=-288/755, 29-30=-288/755, 12-30=-288/755, 12-31=-178/349, 31-32=-178/349, 11-32=-178/349
WEBS 6-14=-524/190, 9-12=-99/649, 9-11=-826/258, 7-12=-408/164, 4-16=-1296/247, 4-14=-132/1390, 3-17=0/252, 3-16=-998/169

NOTES

- 1) Wind: ASCE 7-16; Vult=130mph (3-second gust) Vasd=103mph; TCDL=6.0psf; BCDL=6.0psf; h=25ft; Cat. II; Exp B; Enclosed; MWFRS (envelope) and C-C Exterior(2E)-0-11-13 to 2-5-15, Interior (1) 2-5-15 to 26-0-4, Exterior(2R) 26-0-4 to 29-6-0, Interior (1) 29-6-0 to 34-7-12 zone; cantilever left and right exposed; end vertical left and right exposed; C-C for members and forces & MWFRS for reactions shown; Lumber DOL=1.60 plate grip DOL=1.33
- 2) TCLL: ASCE 7-16; Pr=20.0 psf (roof LL: Lum DOL=1.15 Plate DOL=1.15); Pg=20.0 psf; Pf=18.9 psf (Lum DOL=1.15 Plate DOL=1.15); Is=1.0; Rough Cat B; Fully Exp.; Ce=0.9; Cs=1.00; Ct=1.10, Lu=50-0-0; Min. flat roof snow load governs. Rain surcharge applied to all exposed surfaces with slopes less than 0.500/12 in accordance with IBC 1608.3.4.
- 3) Unbalanced snow loads have been considered for this design.
- 4) This truss has been designed for greater of min roof live load of 12.0 psf or 2.00 times flat roof load of 13.9 psf on overhangs non-concurrent with other live loads.
- 5) Provide adequate drainage to prevent water ponding.
- 6) All plates are 3x5 MT20 unless otherwise indicated.
- 7) * This truss has been designed for a live load of 20.0psf on the bottom chord in all areas where a rectangle 3-06-00 tall by 2-00-00 wide will fit between the bottom chord and any other members, with BCDL = 10.0psf.
- 8) One RT7A MiTek connectors recommended to connect truss to bearing walls due to UPLIFT at jt(s) 11, 2, and 16. This connection is for uplift only and does not consider lateral forces.
- 9) This truss is designed in accordance with the 2018 International Residential Code sections R502.11.1 and R802.10.2 and referenced standard ANSI/TPI 1.
- 10) Graphical purlin representation does not depict the size or the orientation of the purlin along the top and/or bottom chord.

LOAD CASE(S) Standard

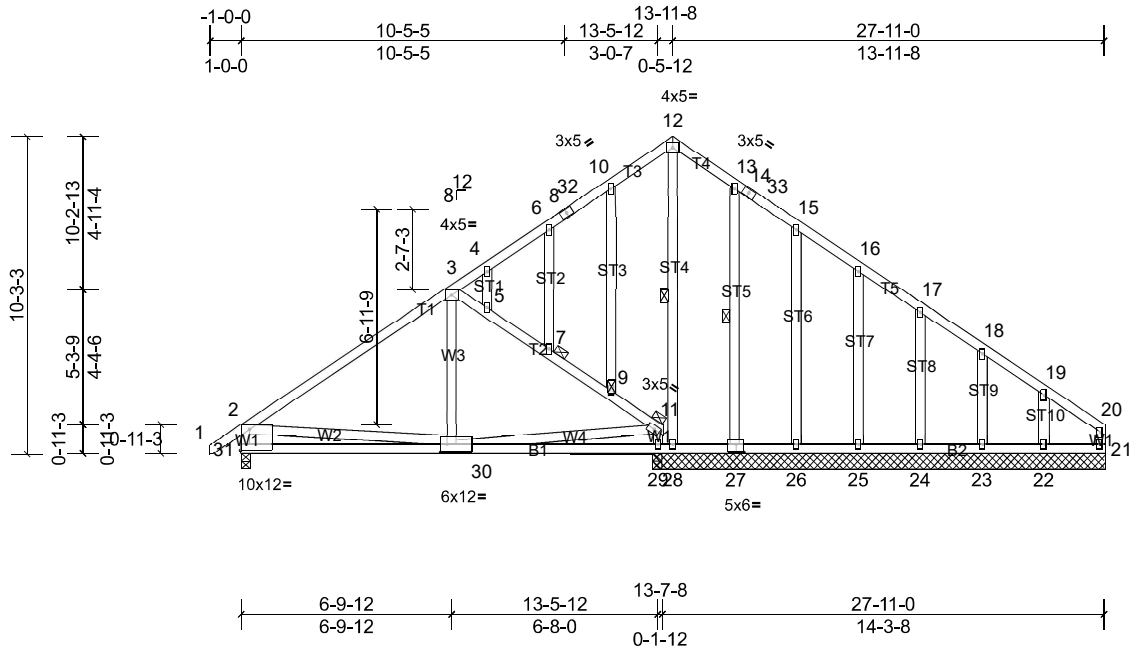
Job 22050129 - Base house	Truss C1	Truss Type Common Structural Gable	Qty 1	Ply 1	Job Reference (optional)
------------------------------	-------------	---------------------------------------	----------	----------	--------------------------

Carter Components - Sanford, Sanford, NC, user

Run: 8.53 S Mar 28 2022 Print: 8.530 S Mar 28 2022 MiTek Industries, Inc. Wed May 25 14:19:31

Page: 1

ID:hd9gwgw4XF0oL1WZLRBilTzD8Ot-LIEbwZBzcX539n?XmWaSci8la03Cf3w8qQgKdwzD5fw



Scale = 1:74.5

Plate Offsets (X, Y): [27:0-3-0,0-3-0], [30:0-2-8,0-3-0], [31:Edge,0-8-2]

Loading	(psf)	Spacing	2-0-0	CSI	0.55	DEFL	in	(loc)	l/defl	L/d	PLATES	GRIP
TCLL (roof)	20.0	Plate Grip DOL	1.15	TC	0.55	Vert(LL)	-0.01	30	>999	240	MT20	244/190
Snow (Pf/Pg)	13.9/20.0	Lumber DOL	1.15	BC	0.33	Vert(CT)	-0.09	30-31	>999	180		
TCDL	10.0	Rep Stress Incr	YES	WB	0.17	Horz(CT)	0.01	21	n/a	n/a		
BCLL	0.0*	Code	IRC2018/TPI2014	Matrix-MSH								
BCDL	10.0											
											Weight: 211 lb	FT = 20%

LUMBER

TOP CHORD 2x4 SP No.2
 BOT CHORD 2x4 SP No.2
 WEBS 2x4 SP No.3
 OTHERS 2x4 SP No.3

BRACING

TOP CHORD Structural wood sheathing directly applied or 6-0-0 oc purlins, except end verticals.
 BOT CHORD Rigid ceiling directly applied or 6-0-0 oc bracing, Except: 10-0-0 oc bracing: 30-31.
 WEBS 1 Row at midpt 12-28, 13-27
 JOINTS 1 Brace at Jt(s): 9, 7, 11

MiTek recommends that Stabilizers and required cross bracing be installed during truss erection, in accordance with Stabilizer Installation guide.

REACTIONS

All bearings 14-7-0. except 31=0-3-8
 (lb) - Max Horiz 31=202 (LC 12)
 Max Uplift All uplift 100 (lb) or less at joint(s) 21, 22, 23, 24, 25, 26, 27, 28, 29, 31
 Max Grav All reactions 250 (lb) or less at joint (s) 21, 22, 23, 24, 25, 26, 27, 28 except 29=540 (LC 25), 31=592 (LC 2)

FORCES

(lb) - Max. Comp./Max. Ten. - All forces 250 (lb) or less except when shown.
 TOP CHORD 2-3=-566/143, 2-31=-520/155, 3-5=-476/87, 5-7=-484/90, 7-9=-514/106, 9-11=-556/127
 BOT CHORD 30-31=-182/411
 WEBS 12-28=-253/11, 11-30=-90/433, 11-29=-412/106

NOTES

1) Unbalanced roof live loads have been considered for this design.

- 2) Wind: ASCE 7-16; Vult=130mph (3-second gust) Vasd=103mph; TCDL=6.0psf; BCDL=6.0psf; h=25ft; Cat. II; Exp B; Enclosed; MWFRS (envelope) and C-C Exterior(2E)-0-11-8 to 2-0-8, Interior (1) 2-0-8 to 13-11-8, Exterior(2R) 13-11-8 to 16-11-8, Interior (1) 16-11-8 to 27-9-4 zone; cantilever left and right exposed ; end vertical left and right exposed;C-C for members and forces & MWFRS for reactions shown; Lumber DOL=1.60 plate grip DOL=1.33
- 3) Truss designed for wind loads in the plane of the truss only. For studs exposed to wind (normal to the face), see Standard Industry Gable End Details as applicable, or consult qualified building designer as per ANSI/TPI 1.
- 4) TCLL: ASCE 7-16; Pr=20.0 psf (roof LL: Lum DOL=1.15 Plate DOL=1.15); Pg=20.0 psf; Pf=13.9 psf (Lum DOL=1.15 Plate DOL=1.15); Is=1.0; Rough Cat B; Fully Exp.; Ce=0.9; Cs=1.00; Ct=1.10
- 5) This truss has been designed for greater of min roof live load of 12.0 psf or 2.00 times flat roof load of 13.9 psf on overhangs non-concurrent with other live loads.
- 6) All plates are 2x4 MT20 unless otherwise indicated.
- 7) Truss to be fully sheathed from one face or securely braced against lateral movement (i.e. diagonal web).
- 8) Gable studs spaced at 2-0-0 oc.
- 9) * This truss has been designed for a live load of 20.0psf on the bottom chord in all areas where a rectangle 3-06-00 tall by 2-00-00 wide will fit between the bottom chord and any other members.
- 10) One RT7A MiTek connectors recommended to connect truss to bearing walls due to UPLIFT at jt(s) 31, 21, 28, 27, 26, 25, 24, 23, 22, and 29. This connection is for uplift only and does not consider lateral forces.
- 11) This truss is designed in accordance with the 2018 International Residential Code sections R502.11.1 and R802.10.2 and referenced standard ANSI/TPI 1.
- 12) Graphical purlin representation does not depict the size or the orientation of the purlin along the top and/or bottom chord.

LOAD CASE(S) Standard

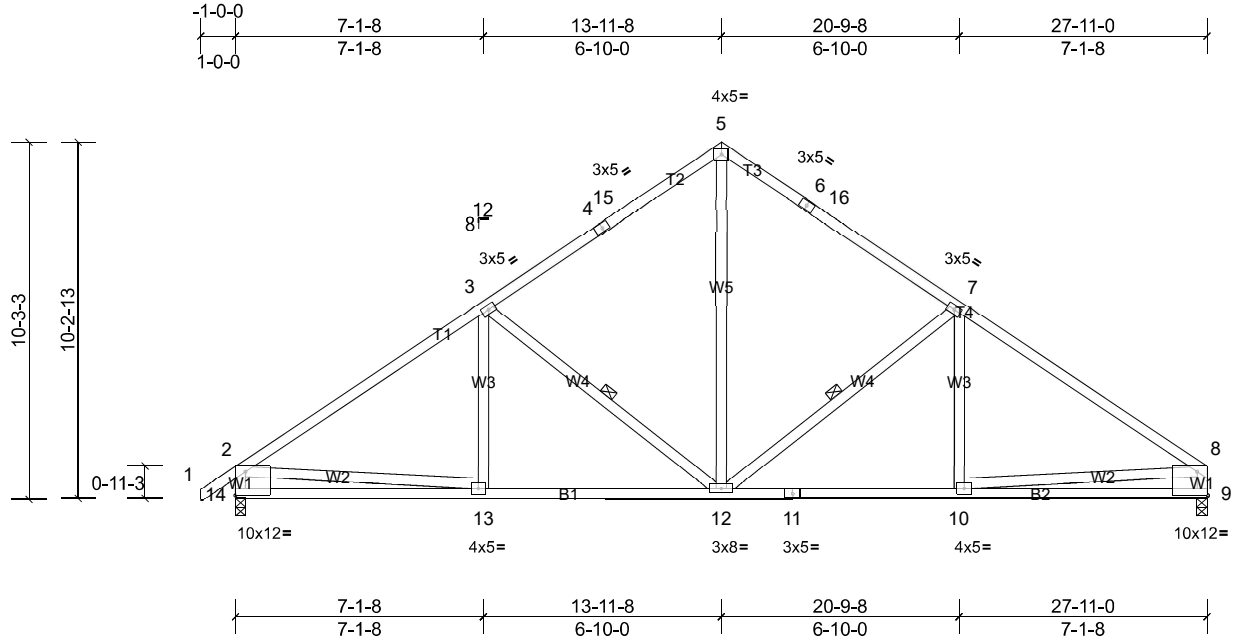
Job 22050129 - Base house	Truss C2	Truss Type Common	Qty 5	Ply 1	Job Reference (optional)
------------------------------	-------------	----------------------	----------	----------	--------------------------

Carter Components - Sanford, Sanford, NC, user

Run: 8.53 S Mar 28 2022 Print: 8.530 S Mar 28 2022 MiTek Industries, Inc. Wed May 25 14:19:31

Page: 1

ID:Aqj28FhiHZWfzB5lu9ixrhzD8Os-LIEbwZBzcX539n?XmWaSci8F502pf0o8qgKdwzD5fw



Scale = 1:66.2

Plate Offsets (X, Y): [9:Edge,0-8-2], [14:Edge,0-8-2]

Loading	(psf)	Spacing	2-0-0	CSI	DEFL	in	(loc)	I/defl	L/d	PLATES	GRIP	
TCLL (roof)	20.0	Plate Grip DOL	1.15	TC	0.71	Vert(LL)	-0.05	12-13	>999	240	MT20	244/190
Snow (Pf/Pg)	13.9/20.0	Lumber DOL	1.15	BC	0.42	Vert(CT)	-0.12	12-13	>999	180		
TCDL	10.0	Rep Stress Incr	YES	WB	0.37	Horz(CT)	0.03	9	n/a	n/a		
BCLL	0.0*	Code	IRC2018/TPI2014	Matrix-MSH								
BCDL	10.0											
											Weight: 169 lb	FT = 20%

LUMBER

TOP CHORD 2x4 SP No.2
 BOT CHORD 2x4 SP No.2
 WEBS 2x4 SP No.3

BRACING

TOP CHORD Structural wood sheathing directly applied or 3-9-5 oc purlins, except end verticals.
 BOT CHORD Rigid ceiling directly applied or 10-0-0 oc bracing.
 WEBS 1 Row at midpt 3-12, 7-12

MiTek recommends that Stabilizers and required cross bracing be installed during truss erection, in accordance with Stabilizer Installation guide.

REACTIONS (lb/size) 9=934/0-3-8, (min. 0-1-8), 14=989/0-3-8, (min. 0-1-8)
 Max Horiz 14=202 (LC 10)
 Max Grav 9=1104 (LC 2), 14=1172 (LC 2)

FORCES (lb) - Max. Comp./Max. Ten. - All forces 250 (lb) or less except when shown.

TOP CHORD 2-3=-1475/142, 3-4=-1072/174, 4-15=-947/177, 5-15=-944/197, 5-6=-928/198, 6-16=-946/178, 7-16=-1074/168, 7-8=-1475/141, 2-14=-1105/154, 8-9=-1036/115
 BOT CHORD 13-14=-189/472, 12-13=-55/1139, 11-12=-49/1141, 10-11=-49/1141, 9-10=-52/260
 WEBS 2-13=0/801, 3-12=-474/129, 5-12=-77/685, 7-12=-483/131, 8-10=0/886

NOTES

- 1) Unbalanced roof live loads have been considered for this design.
- 2) Wind: ASCE 7-16; Vult=130mph (3-second gust) Vasd=103mph; TCDL=6.0psf; BCDL=6.0psf; h=25ft; Cat. II; Exp B; Enclosed; MWFRS (envelope) and C-C Exterior(2E) -0-11-8 to 2-0-8, Interior (1) 2-0-8 to 13-11-8, Exterior(2R) 13-11-8 to 16-11-8, Interior (1) 16-11-8 to 27-9-4 zone; cantilever left and right exposed ; end vertical left and right exposed;C-C for members and forces & MWFRS for reactions shown; Lumber DOL=1.60 plate grip DOL=1.33

- 3) TCLL: ASCE 7-16; Pr=20.0 psf (roof LL: Lum DOL=1.15 Plate DOL=1.15); Pg=20.0 psf; Pf=13.9 psf (Lum DOL=1.15 Plate DOL=1.15); Is=1.0; Rough Cat B; Fully Exp.; Ce=0.9; Cs=1.00; Ct=1.10
- 4) This truss has been designed for greater of min roof live load of 12.0 psf or 2.00 times flat roof load of 13.9 psf on overhangs non-concurrent with other live loads.
- 5) * This truss has been designed for a live load of 20.0psf on the bottom chord in all areas where a rectangle 3-06-00 tall by 2-00-00 wide will fit between the bottom chord and any other members.
- 6) One RT7A MiTek connectors recommended to connect truss to bearing walls due to UPLIFT at jt(s) 14 and 9. This connection is for uplift only and does not consider lateral forces.
- 7) This truss is designed in accordance with the 2018 International Residential Code sections R502.11.1 and R802.10.2 and referenced standard ANSI/TPI 1.

LOAD CASE(S) Standard

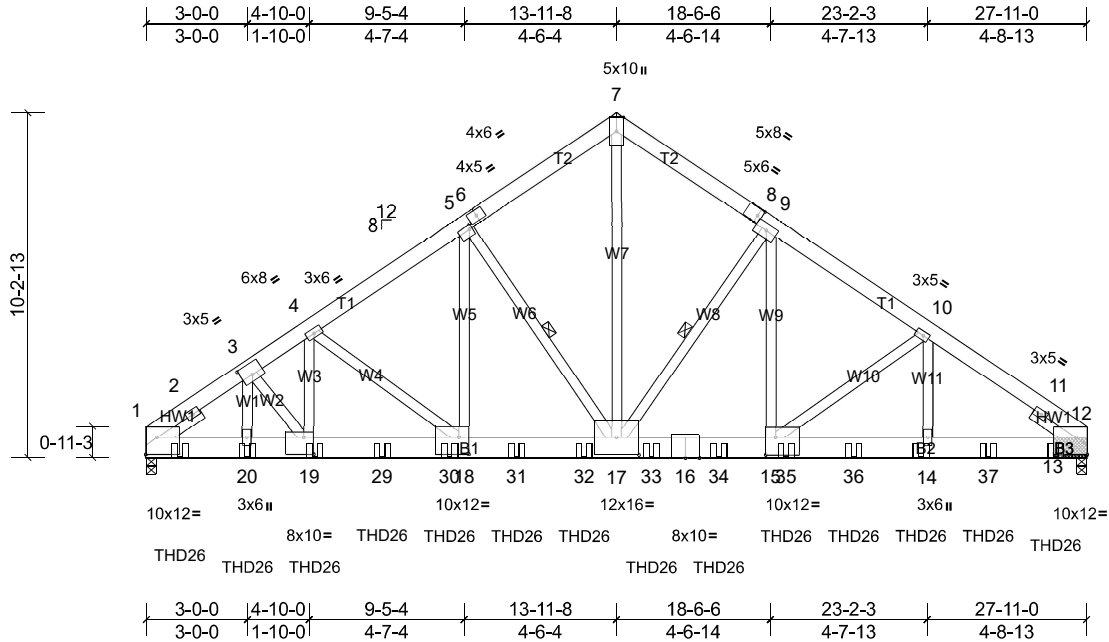
Job 22050129 - Base house	Truss C3	Truss Type Common Girder	Qty 1	Ply 2	Job Reference (optional)
------------------------------	-------------	-----------------------------	----------	----------	--------------------------

Carter Components - Sanford, Sanford, NC, user

Run: 8.53 S Mar 28 2022 Print: 8.530 S Mar 28 2022 MiTek Industries, Inc. Wed May 25 14:19:31

Page: 1

ID:2sU_YRxtLOAg_QBnd3btB6zD8OX-LIEbwZBZcX539n?XmWasci8JD00TfwV8qQgKdwD5fw



Scale = 1:68.4

Plate Offsets (X, Y): [1:Edge,0-6-1], [3:0-4-0,0-3-12], [5:0-1-0,0-1-8], [8:0-1-9,0-2-8], [12:Edge,0-6-1], [15:0-3-8,0-6-4], [17:0-8-0,0-6-4], [18:0-3-8,0-6-0], [19:0-3-8,0-6-0]

Loading	(psf)	Spacing	2-0-0	CSI	DEFL	in (loc)	I/defl	L/d	PLATES	GRIP		
TCLL (roof)	20.0	Plate Grip DOL	1.15	TC	0.51	Vert(LL)	-0.18	17-18	>999	240	MT20	244/190
Snow (Pf/Pg)	13.9/20.0	Lumber DOL	1.15	BC	0.57	Vert(CT)	-0.34	17-18	>961	180		
TCDL	10.0	Rep Stress Incr	NO	WB	0.71	Horz(CT)	0.11	12	n/a	n/a		
BCLL	0.0*	Code	IRC2018/TPI2014	Matrix-MSH								
BCDL	10.0											
											Weight: 523 lb	FT = 20%

- LUMBER**
- TOP CHORD 2x6 SP No.2 *Except* T1:2x6 SP 2400F 2.0E
 BOT CHORD 2x8 SP 2400F 2.0E
 WEBS 2x4 SP No.3 *Except* W7:2x4 SP 2400F 2.0E, W5,W9:2x4 SP No.2
 SLIDER Left 2x4 SP No.3 -- 1-6-0, Right 2x4 SP No.3 -- 1-6-0
- BRACING**
- TOP CHORD Structural wood sheathing directly applied or 4-4-5 oc purlins.
 BOT CHORD Rigid ceiling directly applied or 10-0-0 oc bracing.
 WEBS 1 Row at midpt 5-17, 9-17
- REACTIONS** (lb/size) 1=11120/0-3-8, (req. 0-5-8), 12=9849/(0-3-8 + bearing block), (req. 0-4-10)
 Max Horiz 1=173 (LC 31)
 Max Grav 1=13275 (LC 20), 12=11188 (LC 21)
- FORCES** (lb) - Max. Comp./Max. Ten. - All forces 250 (lb) or less except when shown.
- TOP CHORD 1-2=-11798/0, 2-3=-16238/0, 3-4=-17019/0, 4-5=-14955/0, 5-6=-11566/0, 6-7=-11556/0, 7-8=-11575/0, 8-9=-11581/0, 9-10=-14285/0, 10-11=-15279/0, 11-12=-10776/0
 BOT CHORD 1-20=0/12986, 19-20=0/12986, 19-29=0/14594, 29-30=0/14594, 18-30=0/14594, 18-31=0/12469, 31-32=0/12469, 17-32=0/12469, 17-33=0/11915, 16-33=0/11915, 16-34=0/11915, 15-34=0/11915, 15-35=0/12403, 35-36=0/12403, 14-36=0/12403, 14-37=0/12403, 13-37=0/12403, 12-13=0/12403
 WEBS 7-17=0/12389, 5-17=-4973/0, 4-19=0/2072, 4-18=-2690/0, 5-18=0/5849, 9-17=-4119/0, 9-15=0/4643, 10-15=-712/0, 10-14=0/1280, 3-19=0/2644, 3-20=-1098/0
- 2-ply truss to be connected together with 10d (0.131"x3") nails as follows:
 Top chords connected as follows: 2x6 - 2 rows staggered at 0-9-0 oc.
 Bottom chords connected as follows: 2x8 - 3 rows staggered at 0-5-0 oc.
 Web connected as follows: 2x4 - 1 row at 0-9-0 oc.
 - All loads are considered equally applied to all plies, except if noted as front (F) or back (B) face in the LOAD CASE(S) section. Ply to ply connections have been provided to distribute only loads noted as (F) or (B), unless otherwise indicated.
 - 2x8 SP 2400F 2.0E bearing block 12" long at jt. 12 attached to each face with 4 rows of 10d (0.131"x3") nails spaced 3" o.c. 16 Total fasteners per block. Bearing is assumed to be SP 2400F 2.0E.
 - Unbalanced roof live loads have been considered for this design.
 - Wind: ASCE 7-16; Vult=130mph (3-second gust) Vasd=103mph; TCDL=6.0psf; BCDL=6.0psf; h=25ft; Cat. II; Exp B; Enclosed; MWFRS (envelope); cantilever left and right exposed ; end vertical left and right exposed; Lumber DOL=1.60 plate grip DOL=1.33
 - TCLL: ASCE 7-16; Pr=20.0 psf (roof LL: Lum DOL=1.15 Plate DOL=1.15); Pg=20.0 psf; Pf=13.9 psf (Lum DOL=1.15 Plate DOL=1.15); Is=1.0; Rough Cat B; Fully Exp.; Ce=0.9; Cs=1.00; Ct=1.10
 - * This truss has been designed for a live load of 20.0psf on the bottom chord in all areas where a rectangle 3-06-00 tall by 2-00-00 wide will fit between the bottom chord and any other members.
 - WARNING: Required bearing size at joint(s) 1 greater than input bearing size.
 - One RT7A MiTek connectors recommended to connect truss to bearing walls due to UPLIFT at jt(s) 1 and 12. This connection is for uplift only and does not consider lateral forces.
 - This truss is designed in accordance with the 2018 International Residential Code sections R502.11.1 and R802.10.2 and referenced standard ANSI/TPI 1.
 - Use MiTek THD26 (With 18-16d nails into Girder & 12-10d x 1-1/2 nails into Truss) or equivalent spaced at 2-0-0 oc max. starting at 1-0-0 from the left end to 27-0-0 to connect truss(es) A2 (1 ply 2x4 SP), A3 (1 ply 2x4 SP), A4 (1 ply 2x4 SP), A8 (1 ply 2x4 SP), A5 (1 ply 2x4 SP), A6 (1 ply 2x4 SP), A7 (1 ply 2x4 SP) to front face of bottom chord.
 - Fill all nail holes where hanger is in contact with lumber.
- LOAD CASE(S)** Standard
- Dead + Snow (balanced): Lumber Increase=1.15, Plate Increase=1.15
 Uniform Loads (lb/ft)
 Vert: 1-7=-48, 7-12=-48, 21-25=-20
 Concentrated Loads (lb)
 Vert: 19=-1336, 14=-817, 20=-1336, 13=-819, 23=-1337, 29=-1336, 30=-1526, 31=-1796, 32=-1719, 33=-1719, 34=-1719, 35=-1719, 36=-1101, 37=-817

NOTES

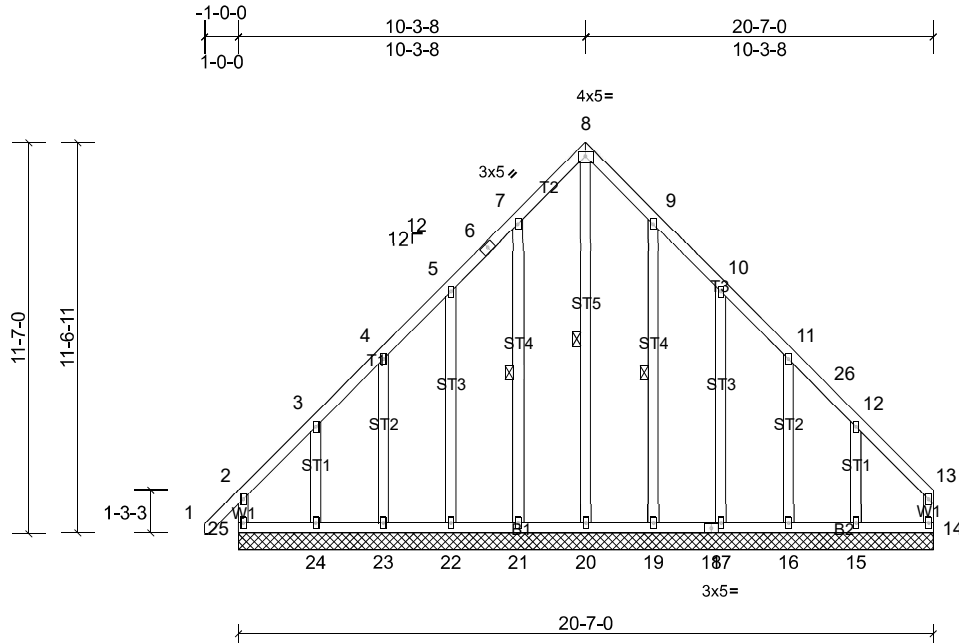
Job 22050129 - Base house	Truss D1	Truss Type Common Supported Gable	Qty 1	Ply 1	Job Reference (optional)
------------------------------	-------------	--------------------------------------	----------	----------	--------------------------

Carter Components - Sanford, Sanford, NC, user

Run: 8.53 S Mar 28 2022 Print: 8.530 S Mar 28 2022 MiTek Industries, Inc. Wed May 25 14:19:32

Page: 1

ID:Aqj28FhiHZWfzB5lu9ixrhzD8Os-pxnz8uBBNrDwnwajKD5h8vhYfQsOTW134Pt9NzD5fv



Scale = 1:68.3

Loading	(psf)	Spacing	2-0-0	CSI	DEFL	in	(loc)	l/defl	L/d	PLATES	GRIP	
TCLL (roof)	20.0	Plate Grip DOL	1.15	TC	0.21	Vert(LL)	n/a	-	n/a	999	MT20	244/190
Snow (Pf/Pg)	13.9/20.0	Lumber DOL	1.15	BC	0.13	Vert(CT)	n/a	-	n/a	999		
TCDL	10.0	Rep Stress Incr	YES	WB	0.34	Horz(CT)	0.00	14	n/a	n/a		
BCLL	0.0*	Code	IRC2018/TPI2014	Matrix-MR								
BCDL	10.0											
											Weight: 167 lb	FT = 20%

LUMBER
TOP CHORD 2x4 SP No.2
BOT CHORD 2x4 SP No.2
WEBS 2x4 SP No.3
OTHERS 2x4 SP No.3

BRACING
TOP CHORD Structural wood sheathing directly applied or 6-0-0 oc purlins, except end verticals.
BOT CHORD Rigid ceiling directly applied or 6-0-0 oc bracing.
WEBS 1 Row at midpt 8-20, 7-21, 9-19

MiTek recommends that Stabilizers and required cross bracing be installed during truss erection, in accordance with Stabilizer Installation guide.

REACTIONS All bearings 20-7-0.
(lb) - Max Horiz 25=233 (LC 10)
Max Uplift All uplift 100 (lb) or less at joint(s)
14, 16, 17, 19, 21, 22, 23 except
15=-120 (LC 14), 24=-136 (LC 10),
25=-132 (LC 9)
Max Grav All reactions 250 (lb) or less at joint
(s) 14, 16, 17, 19, 21, 22, 23, 24
except 15=257 (LC 26), 20=320
(LC 14), 25=258 (LC 26)

FORCES (lb) - Max. Comp./Max. Ten. - All forces 250 (lb) or less except when shown.
TOP CHORD 5-6=-189/338, 6-7=-173/344, 7-8=-237/434,
8-9=-237/434, 9-10=-189/344
WEBS 8-20=-533/229

NOTES
1) Unbalanced roof live loads have been considered for this design.
2) Wind: ASCE 7-16; Vult=130mph (3-second gust)
Vasd=103mph; TCDL=6.0psf; BCDL=6.0psf; h=25ft; Cat. II; Exp B; Enclosed; MWFRS (envelope) and C-C Corner (3E) -0-11-4 to 2-3-8, Exterior(2N) 2-3-8 to 10-3-8, Corner(3R) 10-3-8 to 13-3-8, Exterior(2N) 13-3-8 to 20-5-4 zone; cantilever left and right exposed; end vertical left and right exposed;C-C for members and forces & MWFRS for reactions shown; Lumber DOL=1.60 plate grip DOL=1.33

- Truss designed for wind loads in the plane of the truss only. For studs exposed to wind (normal to the face), see Standard Industry Gable End Details as applicable, or consult qualified building designer as per ANSI/TPI 1.
- TCLL: ASCE 7-16; Pr=20.0 psf (roof LL: Lum DOL=1.15 Plate DOL=1.15); Pg=20.0 psf; Pf=13.9 psf (Lum DOL=1.15 Plate DOL=1.15); Is=1.0; Rough Cat B; Fully Exp.; Ce=0.9; Cs=1.00; Ct=1.10
- This truss has been designed for greater of min roof live load of 12.0 psf or 2.00 times flat roof load of 13.9 psf on overhangs non-concurrent with other live loads.
- All plates are 2x4 MT20 unless otherwise indicated.
- Gable requires continuous bottom chord bearing.
- Truss to be fully sheathed from one face or securely braced against lateral movement (i.e. diagonal web).
- Gable studs spaced at 2-0-0 oc.
- * This truss has been designed for a live load of 20.0psf on the bottom chord in all areas where a rectangle 3-06-00 tall by 2-00-00 wide will fit between the bottom chord and any other members.
- Provide mechanical connection (by others) of truss to bearing plate capable of withstanding 100 lb uplift at joint (s) 14, 21, 22, 23, 19, 17, 16 except (jt=lb) 25=132, 24=136, 15=119.
- This truss is designed in accordance with the 2018 International Residential Code sections R502.11.1 and R802.10.2 and referenced standard ANSI/TPI 1.

LOAD CASE(S) Standard

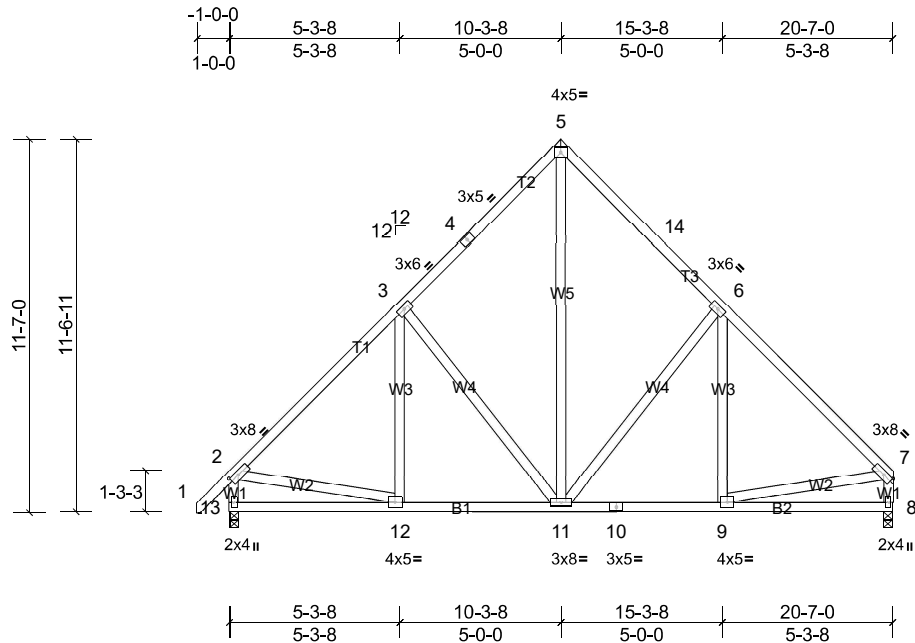
Job 22050129 - Base house	Truss D2	Truss Type Common	Qty 5	Ply 1	Job Reference (optional)
------------------------------	-------------	----------------------	----------	----------	--------------------------

Carter Components - Sanford, Sanford, NC, user

Run: 8.53 S Mar 28 2022 Print: 8.530 S Mar 28 2022 MiTek Industries, Inc. Wed May 25 14:19:32

Page: 1

ID:e0HQLbiK2seWaLfxSsEANuzD8Or-prnz8uBBNrDwnwajKD5h8vhWcQRKOSHI34Pt9NzD5fv



Scale = 1:71.5

Plate Offsets (X, Y): [2:0-3-7,0-1-8], [7:0-3-7,Edge]

Loading	(psf)	Spacing	2-0-0	CSI	DEFL	in (loc)	I/defl	L/d	PLATES	GRIP		
TCLL (roof)	20.0	Plate Grip DOL	1.15	TC	0.34	Vert(LL)	-0.02	11	>999	240	MT20	244/190
Snow (Pf/Pg)	13.9/20.0	Lumber DOL	1.15	BC	0.21	Vert(CT)	-0.04	11-12	>999	180		
TCDL	10.0	Rep Stress Incr	YES	WB	0.42	Horz(CT)	0.01	8	n/a	n/a		
BCLL	0.0*	Code	IRC2018/TPI2014	Matrix-MSH								
BCDL	10.0											
											Weight: 151 lb	FT = 20%

LUMBER

- TOP CHORD 2x4 SP No.2
- BOT CHORD 2x4 SP No.2
- WEBS 2x4 SP No.3

BRACING

- TOP CHORD Structural wood sheathing directly applied or 5-11-11 oc purlins, except end verticals.
- BOT CHORD Rigid ceiling directly applied or 10-0-0 oc bracing.

MiTek recommends that Stabilizers and required cross bracing be installed during truss erection, in accordance with Stabilizer Installation guide.

- This truss has been designed for greater of min roof live load of 12.0 psf or 2.00 times flat roof load of 13.9 psf on overhangs non-concurrent with other live loads.
- * This truss has been designed for a live load of 20.0psf on the bottom chord in all areas where a rectangle 3-06-00 tall by 2-00-00 wide will fit between the bottom chord and any other members.
- One RT7A MiTek connectors recommended to connect truss to bearing walls due to UPLIFT at jt(s) 13 and 8. This connection is for uplift only and does not consider lateral forces.
- This truss is designed in accordance with the 2018 International Residential Code sections R502.11.1 and R802.10.2 and referenced standard ANSI/TPI 1.

- REACTIONS** (lb/size) 8=686/0-3-8, (min. 0-1-8), 13=740/0-3-8, (min. 0-1-8)
 Max Horiz 13=233 (LC 12)
 Max Grav 8=810 (LC 2), 13=879 (LC 2)

- FORCES** (lb) - Max. Comp./Max. Ten. - All forces 250 (lb) or less except when shown.
 TOP CHORD 2-3=-852/115, 3-4=-648/171, 4-5=-531/209, 5-14=-531/210, 6-14=-649/172, 6-7=-850/110, 2-13=-829/130, 7-8=-761/92
 BOT CHORD 12-13=-233/285, 11-12=-47/588, 10-11=-15/533, 9-10=-15/533
 WEBS 3-11=-292/155, 5-11=-173/525, 6-11=-299/156, 2-12=0/437, 7-9=0/456

NOTES

- Unbalanced roof live loads have been considered for this design.
- Wind: ASCE 7-16; Vult=130mph (3-second gust) Vasd=103mph; TCDL=6.0psf; BCDL=6.0psf; h=25ft; Cat. II; Exp B; Enclosed; MWFRS (envelope) and C-C Exterior(2E) -0-11-4 to 2-0-12, Interior (1) 2-0-12 to 10-3-8, Exterior(2R) 10-3-8 to 13-3-8, Interior (1) 13-3-8 to 20-5-4 zone; cantilever left and right exposed; end vertical left and right exposed;C-C for members and forces & MWFRS for reactions shown; Lumber DOL=1.60 plate grip DOL=1.33
- TCLL: ASCE 7-16; Pr=20.0 psf (roof LL: Lum DOL=1.15 Plate DOL=1.15); Pg=20.0 psf; Pf=13.9 psf (Lum DOL=1.15 Plate DOL=1.15); Is=1.0; Rough Cat B; Fully Exp.; Ce=0.9; Cs=1.00; Ct=1.10

LOAD CASE(S) Standard

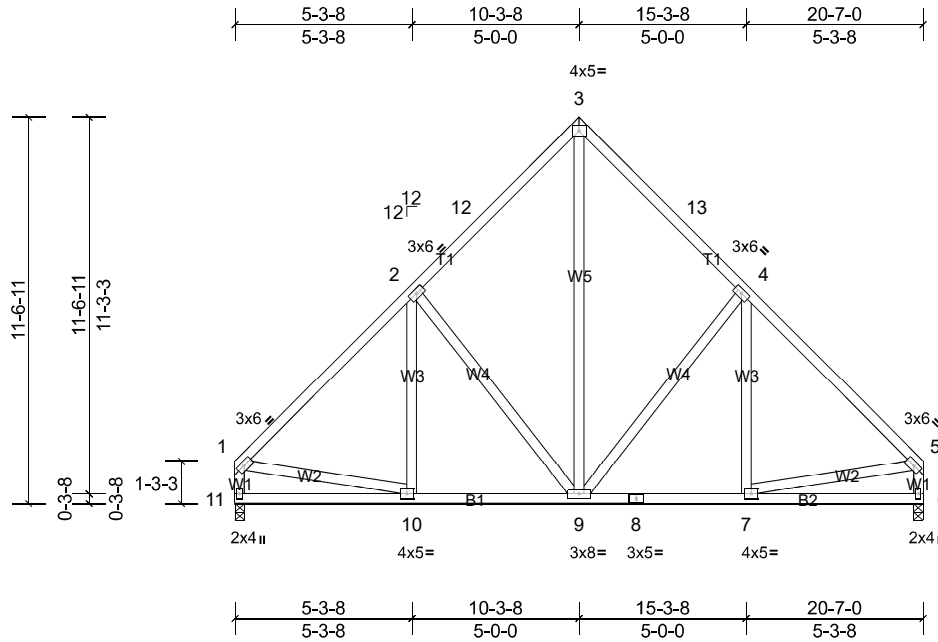
Job 22050129 - Base house	Truss D3	Truss Type Common	Qty 6	Ply 1	Job Reference (optional)
---------------------------------	-------------	----------------------	----------	----------	--------------------------

Carter Components - Sanford, Sanford, NC, user

Run: 8.53 S Mar 28 2022 Print: 8.530 S Mar 28 2022 MiTek Industries, Inc. Wed May 25 14:19:32

Page: 1

ID:2sU_YRxtL0Ag_QBnd3btB6zD8OX-pxnz8uBBNrdwnwajKD5h8vhWcQRKOSHI34Pt9NzD5fv



Scale = 1:68.9

Loading	(psf)	Spacing	2-0-0	CSI	DEFL	in	(loc)	l/defl	L/d	PLATES	GRIP	
TCLL (roof)	20.0	Plate Grip DOL	1.15	TC	0.34	Vert(LL)	-0.02	9	>999	240	MT20	244/190
Snow (Pf/Pg)	13.9/20.0	Lumber DOL	1.15	BC	0.21	Vert(CT)	-0.04	9-10	>999	180		
TCDL	10.0	Rep Stress Incr	YES	WB	0.42	Horz(CT)	0.01	6	n/a	n/a		
BCLL	0.0*	Code	IRC2018/TPI2014	Matrix-MSH								
BCDL	10.0											
											Weight: 149 lb	FT = 20%

LUMBER
 TOP CHORD 2x4 SP No.2
 BOT CHORD 2x4 SP No.2
 WEBS 2x4 SP No.3

BRACING
 TOP CHORD Structural wood sheathing directly applied or 5-11-9 oc purlins, except end verticals.
 BOT CHORD Rigid ceiling directly applied or 10-0-0 oc bracing.

MiTek recommends that Stabilizers and required cross bracing be installed during truss erection, in accordance with Stabilizer Installation guide.

- 4) * This truss has been designed for a live load of 20.0psf on the bottom chord in all areas where a rectangle 3-06-00 tall by 2-00-00 wide will fit between the bottom chord and any other members.
- 5) One RT7A MiTek connectors recommended to connect truss to bearing walls due to UPLIFT at jt(s) 11 and 6. This connection is for uplift only and does not consider lateral forces.
- 6) This truss is designed in accordance with the 2018 International Residential Code sections R502.11.1 and R802.10.2 and referenced standard ANSI/TPI 1.

LOAD CASE(S) Standard

REACTIONS (lb/size) 6=687/0-3-8, (min. 0-1-8), 11=687/0-3-8, (min. 0-1-8)
 Max Horiz 11=-219 (LC 11)
 Max Grav 6=812 (LC 2), 11=812 (LC 2)

FORCES (lb) - Max. Comp./Max. Ten. - All forces 250 (lb) or less except when shown.
 TOP CHORD 1-2=-852/110, 2-12=-652/172, 3-12=-533/211, 3-13=-533/211, 4-13=-652/172, 4-5=-852/110, 1-11=-763/92, 5-6=-763/92
 BOT CHORD 10-11=-214/267, 9-10=-46/594, 8-9=-15/534, 7-8=-15/534
 WEBS 1-10=0/457, 5-7=0/457, 2-9=-299/157, 3-9=-175/529, 4-9=-299/157

- NOTES**
- 1) Unbalanced roof live loads have been considered for this design.
 - 2) Wind: ASCE 7-16; Vult=130mph (3-second gust) Vasd=103mph; TCDL=6.0psf; BCDL=6.0psf; h=25ft; Cat. II; Exp B; Enclosed; MWFRS (envelope) and C-C Exterior(2E) 0-1-12 to 3-1-12, Interior (1) 3-1-12 to 10-3-8, Exterior(2R) 10-3-8 to 13-3-8, Interior (1) 13-3-8 to 20-5-4 zone; cantilever left and right exposed; end vertical left and right exposed; C-C for members and forces & MWFRS for reactions shown; Lumber DOL=1.60 plate grip DOL=1.33
 - 3) TCLL: ASCE 7-16; Pr=20.0 psf (roof LL: Lum DOL=1.15 Plate DOL=1.15); Pg=20.0 psf; Pf=13.9 psf (Lum DOL=1.15 Plate DOL=1.15); Is=1.0; Rough Cat B; Fully Exp.; Ce=0.9; Cs=1.00; Ct=1.10

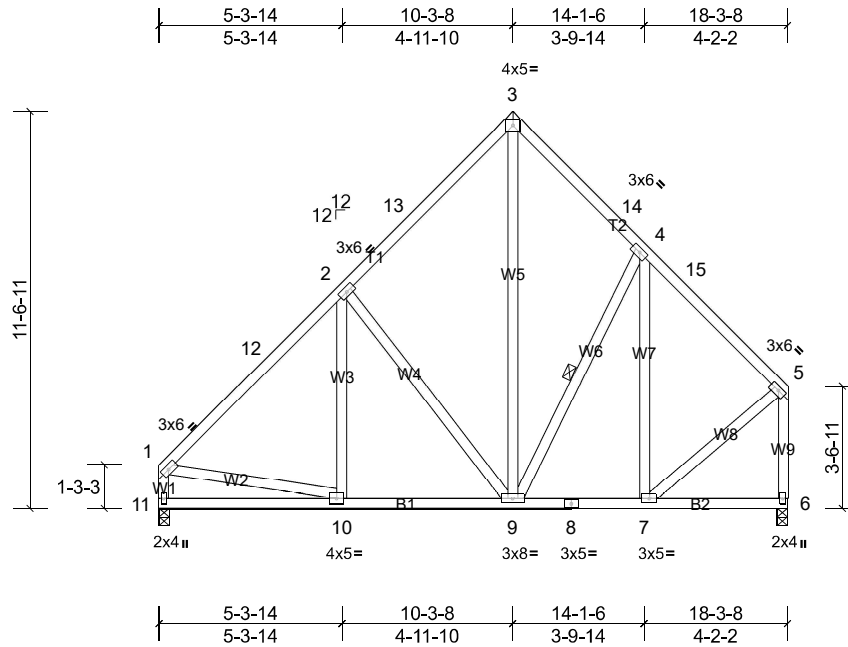
Job 22050129 - Base house	Truss D4	Truss Type Common	Qty 2	Ply 1	Job Reference (optional)
------------------------------	-------------	----------------------	----------	----------	--------------------------

Carter Components - Sanford, Sanford, NC, user

Run: 8.53 S Mar 28 2022 Print: 8.530 S Mar 28 2022 MiTek Industries, Inc. Wed May 25 14:19:32

Page: 1

ID:W22MlnyV6JIXcamzBm66kKzD8OW-pxnz8uBBNrdwnwajKD5h8vhWcQRTOR0134P19NzD5fv



Scale = 1:67.1

Loading	(psf)	Spacing	2-0-0	CSI	DEFL	in	(loc)	I/defl	L/d	PLATES	GRIP
TCLL (roof)	20.0	Plate Grip DOL	1.15	TC	0.34	Vert(LL)	-0.01	9	>999	240	MT20 244/190
Snow (Pf/Pg)	13.9/20.0	Lumber DOL	1.15	BC	0.20	Vert(CT)	-0.03	9-10	>999	180	
TCDL	10.0	Rep Stress Incr	YES	WB	0.50	Horz(CT)	0.01	6	n/a	n/a	
BCLL	0.0*	Code	IRC2018/TPI2014	Matrix-MSH							
BCDL	10.0										Weight: 146 lb FT = 20%

LUMBER
 TOP CHORD 2x4 SP No.2
 BOT CHORD 2x4 SP No.2
 WEBS 2x4 SP No.3

BRACING
 TOP CHORD Structural wood sheathing directly applied or 6-0-0 oc purlins, except end verticals.
 BOT CHORD Rigid ceiling directly applied or 10-0-0 oc bracing.
 WEBS 1 Row at midpt 4-9

MiTek recommends that Stabilizers and required cross bracing be installed during truss erection, in accordance with Stabilizer Installation guide.

- TCLL: ASCE 7-16; Pr=20.0 psf (roof LL: Lum DOL=1.15 Plate DOL=1.15); Pg=20.0 psf; Pf=13.9 psf (Lum DOL=1.15 Plate DOL=1.15); Is=1.0; Rough Cat B; Fully Exp.; Ce=0.9; Cs=1.00; Ct=1.10
- * This truss has been designed for a live load of 20.0psf on the bottom chord in all areas where a rectangle 3-06-00 tall by 2-00-00 wide will fit between the bottom chord and any other members.
- One RT7A MiTek connectors recommended to connect truss to bearing walls due to UPLIFT at jt(s) 11 and 6. This connection is for uplift only and does not consider lateral forces.
- This truss is designed in accordance with the 2018 International Residential Code sections R502.11.1 and R802.10.2 and referenced standard ANSI/TPI 1.

REACTIONS (lb/size) 6=609/0-3-8, (min. 0-1-8), 11=609/0-3-8, (min. 0-1-8)
 Max Horiz 11=243 (LC 10)
 Max Grav 6=720 (LC 2), 11=720 (LC 2)

FORCES (lb) - Max. Comp./Max. Ten. - All forces 250 (lb) or less except when shown.
 TOP CHORD 1-12=-745/88, 2-12=-581/112, 2-13=-534/178, 3-13=-413/216, 3-14=-423/220, 4-14=-501/191, 4-15=-374/128, 5-15=-528/109, 1-11=-672/94, 5-6=-682/101
 BOT CHORD 10-11=-238/263, 9-10=-125/522, 8-9=-64/322, 7-8=-64/322
 WEBS 1-10=0/383, 3-9=-206/436, 2-9=-314/172, 5-7=-35/400

- NOTES**
- Unbalanced roof live loads have been considered for this design.
 - Wind: ASCE 7-16; Vult=130mph (3-second gust) Vasd=103mph; TCDL=6.0psf; BCDL=6.0psf; h=25ft; Cat. II; Exp B; Enclosed; MWFRS (envelope) and C-C Exterior(2E) 0-1-12 to 3-1-12, Interior (1) 3-1-12 to 10-3-8, Exterior(2R) 10-3-8 to 13-3-8, Interior (1) 13-3-8 to 18-1-12 zone; cantilever left and right exposed; end vertical left and right exposed; C-C for members and forces & MWFRS for reactions shown; Lumber DOL=1.60 plate grip DOL=1.33

LOAD CASE(S) Standard

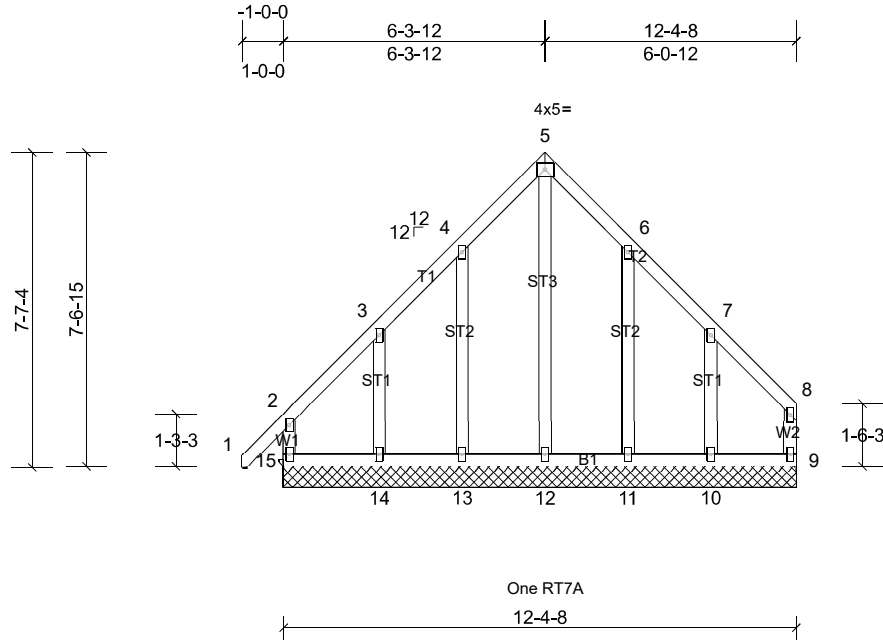
Job 22050129 - Base house	Truss E1	Truss Type Common Supported Gable	Qty 1	Ply 1	Job Reference (optional)
------------------------------	-------------	--------------------------------------	----------	----------	--------------------------

Carter Components - Sanford, Sanford, NC, user

Run: 8.53 S Mar 28 2022 Print: 8.530 S Mar 28 2022 MiTek Industries, Inc. Wed May 25 14:19:32

Page: 1

ID:e0HQLbiK2seWalFxSsEANuzD8Or-pxnz8uBBNrDwnwajKD5h8vhZkQTBOUr134Pt9NzD5fv



Scale = 1:55.6

Loading	(psf)	Spacing	2-0-0	CSI		DEFL	in	(loc)	l/defl	L/d	PLATES	GRIP
TCLL (roof)	20.0	Plate Grip DOL	1.15	TC	0.14	Vert(LL)	n/a	-	n/a	999	MT20	244/190
Snow (Pf/Pg)	13.9/20.0	Lumber DOL	1.15	BC	0.09	Vert(CT)	n/a	-	n/a	999		
TCDL	10.0	Rep Stress Incr	YES	WB	0.32	Horz(CT)	0.00	9	n/a	n/a		
BCLL	0.0*	Code	IRC2018/TPI2014	Matrix-MR								
BCDL	10.0										Weight: 84 lb	FT = 20%

LUMBER
TOP CHORD 2x4 SP No.2
BOT CHORD 2x4 SP No.2
WEBS 2x4 SP No.3
OTHERS 2x4 SP No.3

BRACING
TOP CHORD Structural wood sheathing directly applied or 6-0-0 oc purlins, except end verticals.
BOT CHORD Rigid ceiling directly applied or 6-0-0 oc bracing.

MiTek recommends that Stabilizers and required cross bracing be installed during truss erection, in accordance with Stabilizer Installation guide.

REACTIONS All bearings 12-4-8.
(lb) - Max Horiz 15=161 (LC 10)
Max Uplift All uplift 100 (lb) or less at joint(s) 9, 10, 11, 13, 15 except 14=102 (LC 10)
Max Grav All reactions 250 (lb) or less at joint (s) 9, 10, 11, 12, 13, 14, 15

FORCES (lb) - Max. Comp./Max. Ten. - All forces 250 (lb) or less except when shown.
TOP CHORD 4-5=-231/283, 5-6=-231/283
WEBS 5-12=-329/203

- NOTES**
- Unbalanced roof live loads have been considered for this design.
 - Wind: ASCE 7-16; Vult=130mph (3-second gust) Vasd=103mph; TCDL=6.0psf; BCDL=6.0psf; h=25ft; Cat. II; Exp B; Enclosed; MWFRS (envelope) and C-C Corner (3E) -0-11-4 to 2-3-12, Exterior(2N) 2-3-12 to 6-3-12, Corner(3R) 6-3-12 to 9-3-12, Exterior(2N) 9-3-12 to 12-2-12 zone; cantilever left and right exposed; end vertical left and right exposed; C-C for members and forces & MWFRS for reactions shown; Lumber DOL=1.60 plate grip DOL=1.33
 - Truss designed for wind loads in the plane of the truss only. For studs exposed to wind (normal to the face), see Standard Industry Gable End Details as applicable, or consult qualified building designer as per ANSI/TPI 1.

- TCLL: ASCE 7-16; Pr=20.0 psf (roof LL: Lum DOL=1.15 Plate DOL=1.15); Pg=20.0 psf; Pf=13.9 psf (Lum DOL=1.15 Plate DOL=1.15); Is=1.0; Rough Cat B; Fully Exp.; Ce=0.9; Cs=1.00; Ct=1.10
- This truss has been designed for greater of min roof live load of 12.0 psf or 2.00 times flat roof load of 13.9 psf on overhangs non-concurrent with other live loads.
- All plates are 2x4 MT20 unless otherwise indicated.
- Gable requires continuous bottom chord bearing.
- Truss to be fully sheathed from one face or securely braced against lateral movement (i.e. diagonal web).
- Gable studs spaced at 2-0-0 oc.
- * This truss has been designed for a live load of 20.0psf on the bottom chord in all areas where a rectangle 3-06-00 tall by 2-00-00 wide will fit between the bottom chord and any other members.
- One RT7A MiTek connectors recommended to connect truss to bearing walls due to UPLIFT at jt(s) 15, 9, 12, 13, 14, 11, and 10. This connection is for uplift only and does not consider lateral forces.
- This truss is designed in accordance with the 2018 International Residential Code sections R502.11.1 and R802.10.2 and referenced standard ANSI/TPI 1.

LOAD CASE(S) Standard

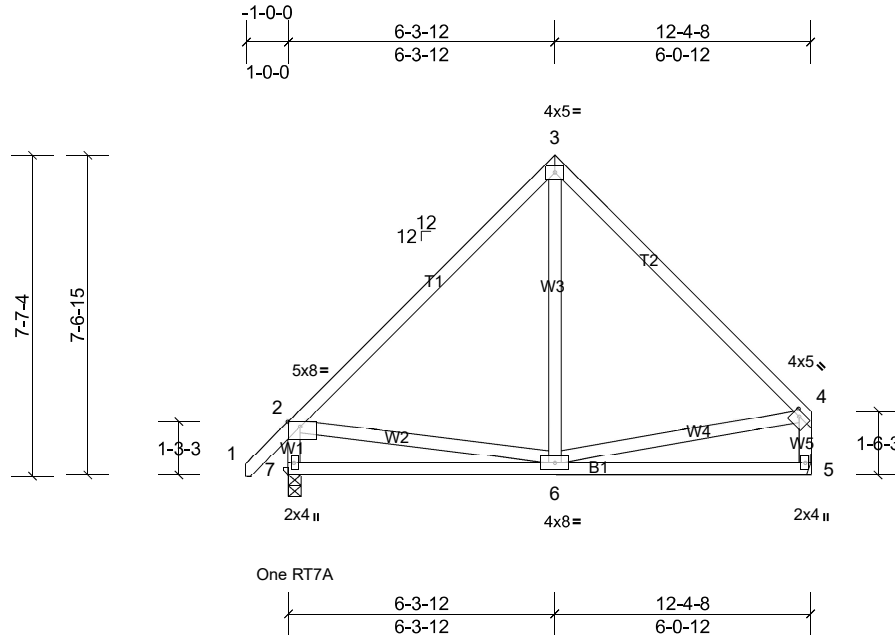
Job 22050129 - Base house	Truss E2	Truss Type Common	Qty 2	Ply 1	Job Reference (optional)
------------------------------	-------------	----------------------	----------	----------	--------------------------

Carter Components - Sanford, Sanford, NC, user

Run: 8.53 S Mar 28 2022 Print: 8.530 S Mar 28 2022 MiTek Industries, Inc. Wed May 25 14:19:33

Page: 1

ID:6CroYxjypAnMCVE70alQw6zD8Oq-I8LMLEcP88MnO49vuxcwh7DclqnE7_NRHk9RipzD5fu



Scale = 1:54.6

Plate Offsets (X, Y): [2:Edge,0-3-9], [4:0-1-12,0-1-8]

Loading	(psf)	Spacing	2-0-0	CSI	0.70	DEFL	in	(loc)	I/defl	L/d	PLATES	GRIP
TCLL (roof)	20.0	Plate Grip DOL	1.15	TC	0.70	Vert(LL)	0.00	6	>999	240	MT20	244/190
Snow (Pf/Pg)	13.9/20.0	Lumber DOL	1.15	BC	0.23	Vert(CT)	-0.03	6-7	>999	180		
TCDL	10.0	Rep Stress Incr	YES	WB	0.11	Horz(CT)	0.00	5	n/a	n/a		
BCLL	0.0*	Code	IRC2018/TPI2014	Matrix-MSH								
BCDL	10.0										Weight: 78 lb	FT = 20%

LUMBER
 TOP CHORD 2x4 SP No.2
 BOT CHORD 2x4 SP No.2
 WEBS 2x4 SP No.3

BRACING
 TOP CHORD Structural wood sheathing directly applied or 6-0-0 oc purlins, except end verticals.
 BOT CHORD Rigid ceiling directly applied or 10-0-0 oc bracing.

MiTek recommends that Stabilizers and required cross bracing be installed during truss erection, in accordance with Stabilizer Installation guide.

- * This truss has been designed for a live load of 20.0psf on the bottom chord in all areas where a rectangle 3-06-00 tall by 2-00-00 wide will fit between the bottom chord and any other members.
- Refer to girder(s) for truss to truss connections.
- One RT7A MiTek connectors recommended to connect truss to bearing walls due to UPLIFT at jt(s) 7. This connection is for uplift only and does not consider lateral forces.
- This truss is designed in accordance with the 2018 International Residential Code sections R502.11.1 and R802.10.2 and referenced standard ANSI/TPI 1.

LOAD CASE(S) Standard

REACTIONS (lb/size) 5=407/ Mechanical, (min. 0-1-8), 7=463/0-3-8, (min. 0-1-8)
 Max Horiz 7=161 (LC 10)
 Max Grav 5=480 (LC 2), 7=551 (LC 2)

FORCES (lb) - Max. Comp./Max. Ten. - All forces 250 (lb) or less except when shown.

TOP CHORD 2-3=-459/104, 3-4=-443/99, 2-7=-496/116, 4-5=-428/93

BOT CHORD 6-7=-209/316

NOTES

- Unbalanced roof live loads have been considered for this design.
- Wind: ASCE 7-16; Vult=130mph (3-second gust) Vasd=103mph; TCDL=6.0psf; BCDL=6.0psf; h=25ft; Cat. II; Exp B; Enclosed; MWFRS (envelope) and C-C Exterior(2E) -0-11-4 to 2-0-12, Interior (1) 2-0-12 to 6-3-12, Exterior(2R) 6-3-12 to 9-3-12, Interior (1) 9-3-12 to 12-2-12 zone; cantilever left and right exposed; end vertical left and right exposed; C-C for members and forces & MWFRS for reactions shown; Lumber DOL=1.60 plate grip DOL=1.33
- TCLL: ASCE 7-16; Pr=20.0 psf (roof LL: Lum DOL=1.15 Plate DOL=1.15); Pg=20.0 psf; Pf=13.9 psf (Lum DOL=1.15 Plate DOL=1.15); Is=1.0; Rough Cat B; Fully Exp.; Ce=0.9; Cs=1.00; Ct=1.10
- This truss has been designed for greater of min roof live load of 12.0 psf or 2.00 times flat roof load of 13.9 psf on overhangs non-concurrent with other live loads.

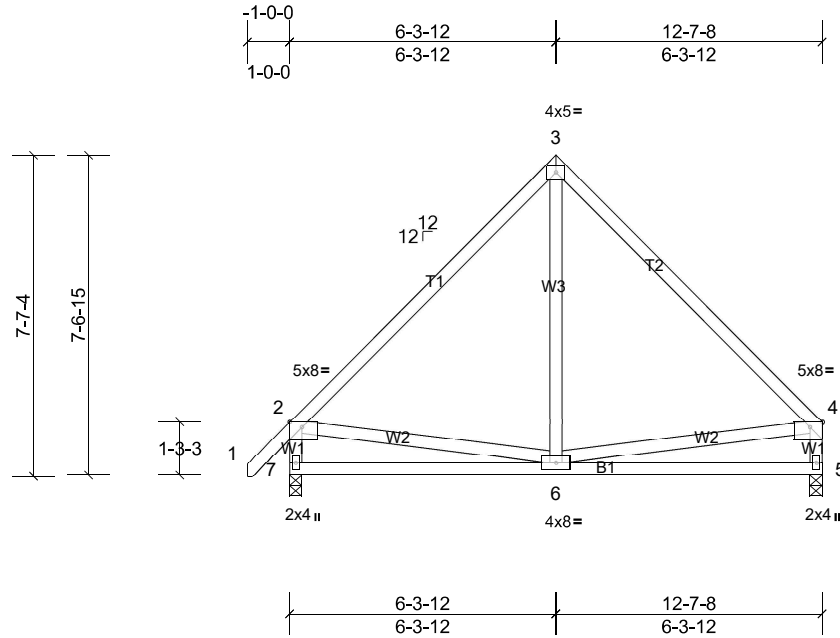
Job 22050129 - Base house	Truss E3	Truss Type Common	Qty 3	Ply 1	Job Reference (optional)
------------------------------	-------------	----------------------	----------	----------	--------------------------

Carter Components - Sanford, Sanford, NC, user

Run: 8.53 S Mar 28 2022 Print: 8.530 S Mar 28 2022 MiTek Industries, Inc. Wed May 25 14:19:33

Page: 1

ID:W22MlnyV6JlXcamzBm66kKzD8OW-I8LMLCp88MnO49vuxcwh7Dcvqn57_WRHk9RipzD5fu



Scale = 1:54.6

Plate Offsets (X, Y): [2:Edge,0-3-9], [4:Edge,0-3-9]

Loading	(psf)	Spacing	2-0-0	CSI	DEFL	in	(loc)	I/defl	L/d	PLATES	GRIP	
TCLL (roof)	20.0	Plate Grip DOL	1.15	TC	0.69	Vert(LL)	0.00	6	>999	240	MT20	244/190
Snow (Pf/Pg)	13.9/20.0	Lumber DOL	1.15	BC	0.24	Vert(CT)	-0.03	5-6	>999	180		
TCDL	10.0	Rep Stress Incr	YES	WB	0.10	Horz(CT)	0.00	5	n/a	n/a		
BCLL	0.0*	Code	IRC2018/TPI2014	Matrix-MSH								
BCDL	10.0											
											Weight: 79 lb	FT = 20%

LUMBER
 TOP CHORD 2x4 SP No.2
 BOT CHORD 2x4 SP No.2
 WEBS 2x4 SP No.3

BRACING
 TOP CHORD Structural wood sheathing directly applied or 6-0-0 oc purlins, except end verticals.
 BOT CHORD Rigid ceiling directly applied or 10-0-0 oc bracing.

MiTek recommends that Stabilizers and required cross bracing be installed during truss erection, in accordance with Stabilizer Installation guide.

- 5) * This truss has been designed for a live load of 20.0psf on the bottom chord in all areas where a rectangle 3-06-00 tall by 2-00-00 wide will fit between the bottom chord and any other members.
- 6) One RT7A MiTek connectors recommended to connect truss to bearing walls due to UPLIFT at jt(s) 7 and 5. This connection is for uplift only and does not consider lateral forces.
- 7) This truss is designed in accordance with the 2018 International Residential Code sections R502.11.1 and R802.10.2 and referenced standard ANSI/TPI 1.

LOAD CASE(S) Standard

REACTIONS (lb/size) 5=415/0-3-8, (min. 0-1-8),
 7=472/0-3-8, (min. 0-1-8)
 Max Horiz 7=158 (LC 10)
 Max Grav 5=490 (LC 2), 7=561 (LC 2)

FORCES (lb) - Max. Comp./Max. Ten. - All forces 250 (lb) or less except when shown.

TOP CHORD 2-3=-471/104, 3-4=-463/97, 2-7=-506/117,
 4-5=-436/94

BOT CHORD 6-7=-207/312

NOTES

- 1) Unbalanced roof live loads have been considered for this design.
- 2) Wind: ASCE 7-16; Vult=130mph (3-second gust) Vasd=103mph; TCDL=6.0psf; BCDL=6.0psf; h=25ft; Cat. II; Exp B; Enclosed; MWFRS (envelope) and C-C Exterior(2E) -0-11-4 to 2-0-12, Interior (1) 2-0-12 to 6-3-12, Exterior(2R) 6-3-12 to 9-3-12, Interior (1) 9-3-12 to 12-5-12 zone; cantilever left and right exposed; end vertical left and right exposed; C-C for members and forces & MWFRS for reactions shown; Lumber DOL=1.60 plate grip DOL=1.33
- 3) TCLL: ASCE 7-16; Pr=20.0 psf (roof LL: Lum DOL=1.15 Plate DOL=1.15); Pg=20.0 psf; Pf=13.9 psf (Lum DOL=1.15 Plate DOL=1.15); Is=1.0; Rough Cat B; Fully Exp.; Ce=0.9; Cs=1.00; Ct=1.10
- 4) This truss has been designed for greater of min roof live load of 12.0 psf or 2.00 times flat roof load of 13.9 psf on overhangs non-concurrent with other live loads.

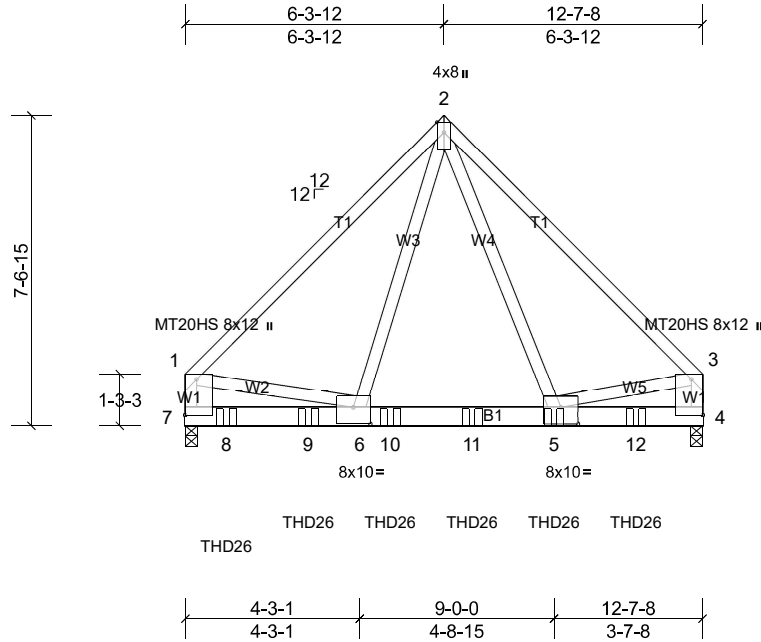
Job 22050129 - Base house	Truss E4	Truss Type Common Girder	Qty 1	Ply 2	Job Reference (optional)
------------------------------	-------------	-----------------------------	----------	----------	--------------------------

Carter Components - Sanford, Sanford, NC, user

Run: 8.53 S Mar 28 2022 Print: 8.530 S Mar 28 2022 MiTek Industries, Inc. Wed May 25 14:19:33

Page: 1

ID:W22MlnyV6JlXcamzBm66kKzD8OW-I8LMLCEp88MnO49vuxcwh7Db6qkH7qDRHk9RipzD5fu



Scale = 1:56.2

Plate Offsets (X, Y): [1:Edge,0-3-8], [3:Edge,0-3-8], [5:0-5-0,0-4-12], [6:0-5-0,0-4-12]

Loading	(psf)	Spacing	2-0-0	CSI	DEFL	in	(loc)	l/defl	L/d	PLATES	GRIP	
TCLL (roof)	20.0	Plate Grip DOL	1.15	TC	0.74	Vert(LL)	-0.06	5-6	>999	240	MT20	244/190
Snow (Pf/Pg)	13.9/20.0	Lumber DOL	1.15	BC	0.42	Vert(CT)	-0.11	5-6	>999	180	MT20HS	187/143
TCDL	10.0	Rep Stress Incr	NO	WB	0.76	Horz(CT)	0.01	4	n/a	n/a		
BCLL	0.0*	Code	IRC2018/TPI2014	Matrix-MSH								
BCDL	10.0											
											Weight: 182 lb	FT = 20%

- LUMBER**
TOP CHORD 2x4 SP No.1
BOT CHORD 2x6 SP 2400F 2.0E
WEBS 2x4 SP No.3 *Except* W1:2x4 SP No.1
- BRACING**
TOP CHORD Structural wood sheathing directly applied, except end verticals.
BOT CHORD Rigid ceiling directly applied or 10-0-0 oc bracing.
- REACTIONS** (lb/size) 4=4640/0-3-8, (min. 0-2-6), 7=4722/0-3-8, (min. 0-2-7)
Max Horiz 7=-142 (LC 5)
Max Grav 4=5739 (LC 3), 7=5931 (LC 21)
- FORCES** (lb) - Max. Comp./Max. Ten. - All forces 250 (lb) or less except when shown.
TOP CHORD 1-2=-5012/0, 2-3=-5306/0, 1-7=-4300/0, 3-4=-4726/0
BOT CHORD 7-8=-63712, 8-9=-63712, 6-9=-63712, 6-10=0/2478, 10-11=0/2478, 5-11=0/2478, 5-12=0/486, 4-12=0/486
WEBS 1-6=0/3026, 3-5=0/3403, 2-6=0/3698, 2-5=0/3526
- NOTES**
1) 2-ply truss to be connected together with 10d (0.131"x3") nails as follows:
Top chords connected as follows: 2x4 - 1 row at 0-9-0 oc.
Bottom chords connected as follows: 2x6 - 2 rows staggered at 0-6-0 oc.
Web connected as follows: 2x4 - 1 row at 0-9-0 oc.
2) All loads are considered equally applied to all plies, except if noted as front (F) or back (B) face in the LOAD CASE(S) section. Ply to ply connections have been provided to distribute only loads noted as (F) or (B), unless otherwise indicated.
3) Unbalanced roof live loads have been considered for this design.
4) Wind: ASCE 7-16; Vult=130mph (3-second gust) Vasd=103mph; TCDL=6.0psf; BCDL=6.0psf; h=25ft; Cat. II; Exp B; Enclosed; MWFRS (envelope); cantilever left and right exposed; end vertical left and right exposed; Lumber DOL=1.60 plate grip DOL=1.33

- 5) TCLL: ASCE 7-16; Pr=20.0 psf (roof LL: Lum DOL=1.15 Plate DOL=1.15); Pg=20.0 psf; Pf=13.9 psf (Lum DOL=1.15 Plate DOL=1.15); Is=1.0; Rough Cat B; Fully Exp.; Ce=0.9; Cs=1.00; Ct=1.10
6) All plates are MT20 plates unless otherwise indicated.
7) * This truss has been designed for a live load of 20.0psf on the bottom chord in all areas where a rectangle 3-06-00 tall by 2-00-00 wide will fit between the bottom chord and any other members.
8) One RT7A MiTek connectors recommended to connect truss to bearing walls due to UPLIFT at jt(s) 7 and 4. This connection is for uplift only and does not consider lateral forces.
9) This truss is designed in accordance with the 2018 International Residential Code sections R502.11.1 and R802.10.2 and referenced standard ANSI/TPI 1.
10) Use MiTek THD26 (With 18-16d nails into Girder & 12-10d x 1-1/2 nails into Truss) or equivalent spaced at 2-0-0 oc max. starting at 1-0-0 from the left end to 11-0-0 to connect truss(es) A2 (1 ply 2x4 SP), A3 (1 ply 2x4 SP), A4 (1 ply 2x4 SP) to back face of bottom chord.
11) Fill all nail holes where hanger is in contact with lumber.
- LOAD CASE(S)** Standard
1) Dead + Snow (balanced): Lumber Increase=1.15, Plate Increase=1.15
Uniform Loads (lb/ft)
Vert: 1-2=-48, 2-3=-48, 4-7=-20
Concentrated Loads (lb)
Vert: 5=-1526, 8=-1337, 9=-1336, 10=-1336, 11=-1336, 12=-1655

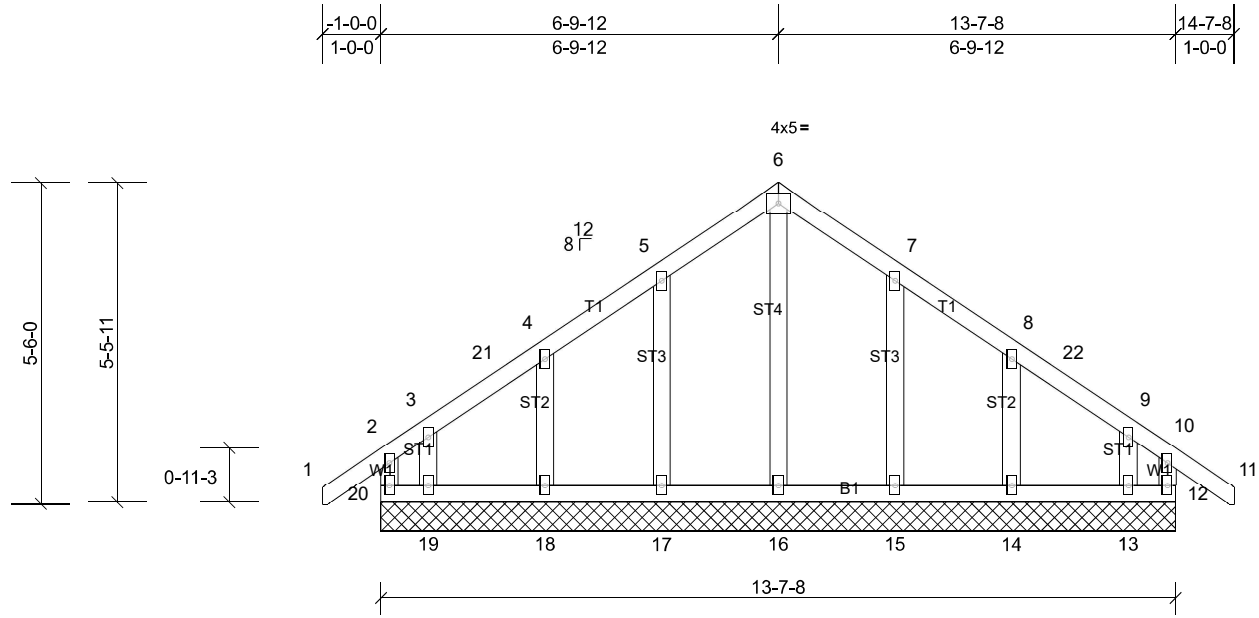
Job 22050129 - Base house	Truss G1	Truss Type Common Supported Gable	Qty 1	Ply 1	Job Reference (optional)
------------------------------	-------------	--------------------------------------	----------	----------	--------------------------

Carter Components - Sanford, Sanford, NC, user

Run: 8.53 S Mar 28 2022 Print: 8.530 S Mar 28 2022 MiTek Industries, Inc. Wed May 25 14:19:33

Page: 1

ID:6CroYxjypAnMCVE70alQw6zD8Oq-l8LMLEcP88MnO49vuxcwh7DlpqqD7__RHk9RipzD5fu



Scale = 1:39.5

Loading	(psf)	Spacing	1-11-4	CSI	DEFL	in	(loc)	l/defl	L/d	PLATES	GRIP	
TCLL (roof)	20.0	Plate Grip DOL	1.15	TC	0.12	Vert(LL)	n/a	-	n/a	999	MT20	244/190
Snow (Pf/Pg)	13.9/20.0	Lumber DOL	1.15	BC	0.04	Vert(CT)	n/a	-	n/a	999		
TCDL	10.0	Rep Stress Incr	YES	WB	0.07	Horz(CT)	0.00	12	n/a	n/a		
BCLL	0.0*	Code	IRC2018/TPI2014	Matrix-MR								
BCDL	10.0											
											Weight: 77 lb	FT = 20%

- LUMBER**
- TOP CHORD 2x4 SP No.2
 - BOT CHORD 2x4 SP No.2
 - WEBS 2x4 SP No.3
 - OTHERS 2x4 SP No.3

- BRACING**
- TOP CHORD Structural wood sheathing directly applied or 6-0-0 oc purlins, except end verticals.
 - BOT CHORD Rigid ceiling directly applied or 6-0-0 oc bracing.

- REACTIONS** All bearings 13-7-8.
- (lb) - Max Horiz 20=113 (LC 12)
 - Max Uplift All uplift 100 (lb) or less at joint(s) 12, 13, 14, 15, 17, 18, 19, 20
 - Max Grav All reactions 250 (lb) or less at joint (s) 12, 13, 14, 15, 16, 17, 18, 19, 20

- FORCES** (lb) - Max. Comp./Max. Ten. - All forces 250 (lb) or less except when shown.

- NOTES**
- Unbalanced roof live loads have been considered for this design.
 - Wind: ASCE 7-16; Vult=130mph (3-second gust) Vasd=103mph; TCDL=6.0psf; BCDL=6.0psf; h=25ft; Cat. II; Exp B; Enclosed; MWFRS (envelope) and C-C Corner (3E) -0-11-8 to 2-0-8, Exterior(2N) 2-0-8 to 6-9-12, Corner(3R) 6-9-12 to 9-9-12, Exterior(2N) 9-9-12 to 14-7-0 zone; cantilever left and right exposed; end vertical left and right exposed; C-C for members and forces & MWFRS for reactions shown; Lumber DOL=1.60 plate grip DOL=1.33
 - Truss designed for wind loads in the plane of the truss only. For studs exposed to wind (normal to the face), see Standard Industry Gable End Details as applicable, or consult qualified building designer as per ANSI/TPI 1.
 - TCLL: ASCE 7-16; Pr=20.0 psf (roof LL: Lum DOL=1.15 Plate DOL=1.15); Pg=20.0 psf; Pf=13.9 psf (Lum DOL=1.15 Plate DOL=1.15); Is=1.0; Rough Cat B; Fully Exp.; Ce=0.9; Cs=1.00; Ct=1.10
 - This truss has been designed for greater of min roof live load of 12.0 psf or 2.00 times flat roof load of 13.9 psf on overhangs non-concurrent with other live loads.
 - All plates are 2x4 MT20 unless otherwise indicated.
 - Gable requires continuous bottom chord bearing.

- Truss to be fully sheathed from one face or securely braced against lateral movement (i.e. diagonal web).
- Gable studs spaced at 2-0-0 oc.
- * This truss has been designed for a live load of 20.0psf on the bottom chord in all areas where a rectangle 3-06-00 tall by 2-00-00 wide will fit between the bottom chord and any other members.
- Provide mechanical connection (by others) of truss to bearing plate capable of withstanding 100 lb uplift at joint (s) 20, 12, 17, 18, 19, 15, 14, 13.
- This truss is designed in accordance with the 2018 International Residential Code sections R502.11.1 and R802.10.2 and referenced standard ANSI/TPI 1.

LOAD CASE(S) Standard

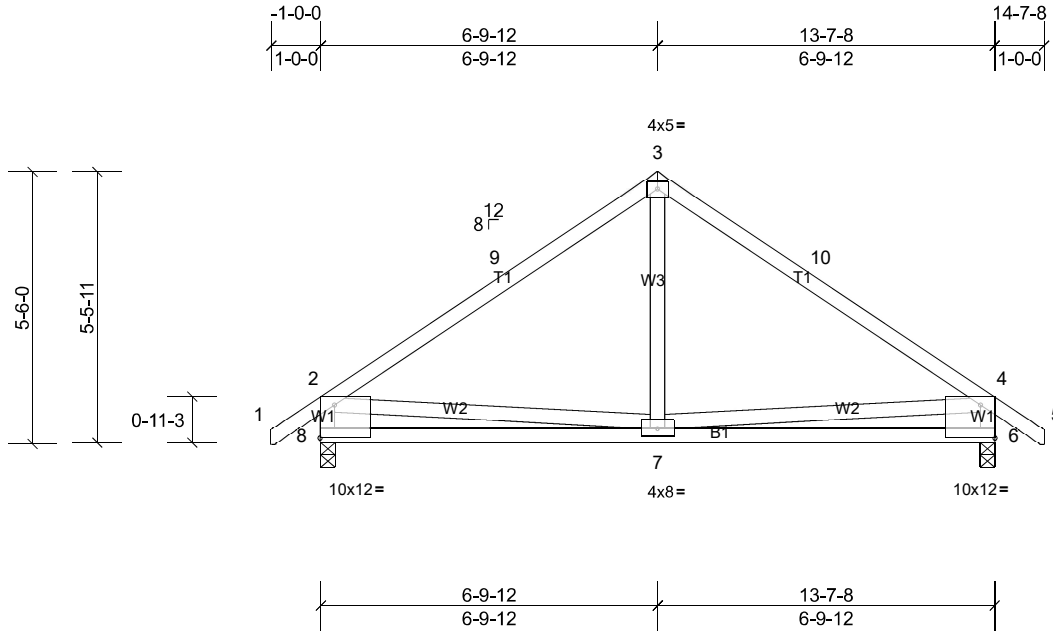
Job 22050129 - Base house	Truss G2	Truss Type Common	Qty 1	Ply 1	Job Reference (optional)
------------------------------	-------------	----------------------	----------	----------	--------------------------

Carter Components - Sanford, Sanford, NC, user

Run: 8.53 S Mar 28 2022 Print: 8.530 S Mar 28 2022 MiTek Industries, Inc. Wed May 25 14:19:33

Page: 1

ID:aPPBmHjaaUvDqfpKaHGfSjzD8Op-l8LMLCEp88MnO49vuxcwh7DbpjmJ7__RHk9RipzD5fu



Scale = 1:46.6

Plate Offsets (X, Y): [6:Edge,0-8-2], [8:Edge,0-8-2]

Loading	(psf)	Spacing	1-11-4	CSI	DEFL	in	(loc)	l/defl	L/d	PLATES	GRIP
TCLL (roof)	20.0	Plate Grip DOL	1.15	TC	0.76	Vert(LL)	0.00	7	>999	240	MT20 244/190
Snow (Pf/Pg)	13.9/20.0	Lumber DOL	1.15	BC	0.29	Vert(CT)	-0.04	7-8	>999	180	
TCDL	10.0	Rep Stress Incr	YES	WB	0.07	Horz(CT)	0.01	6	n/a	n/a	
BCLL	0.0*	Code	IRC2018/TPI2014	Matrix-MSH							
BCDL	10.0										Weight: 76 lb FT = 20%

LUMBER

TOP CHORD 2x4 SP No.2
 BOT CHORD 2x4 SP No.2
 WEBS 2x4 SP No.3

BRACING

TOP CHORD Structural wood sheathing directly applied or 6-0-0 oc purlins, except end verticals.
 BOT CHORD Rigid ceiling directly applied or 10-0-0 oc bracing.

REACTIONS (lb/size) 6=488/0-3-8, (min. 0-1-8),
 8=488/0-3-8, (min. 0-1-8)
 Max Horiz 8=113 (LC 12)
 Max Grav 6=581 (LC 2), 8=581 (LC 2)

FORCES (lb) - Max. Comp./Max. Ten. - All forces 250 (lb) or less except when shown.
 TOP CHORD 2-9=-558/88, 3-9=-440/108, 3-10=-440/108, 4-10=-558/88, 2-8=-524/155, 4-6=-524/155
 BOT CHORD 7-8=-163/414, 6-7=-138/336

NOTES

- Unbalanced roof live loads have been considered for this design.
- Wind: ASCE 7-16; Vult=130mph (3-second gust) Vasd=103mph; TCDL=6.0psf; BCDL=6.0psf; h=25ft; Cat. II; Exp B; Enclosed; MWFRS (envelope) and C-C Exterior(2E) -0-11-8 to 2-0-8, Interior (1) 2-0-8 to 6-9-12, Exterior(2R) 6-9-12 to 9-9-12, Interior (1) 9-9-12 to 14-7-0 zone; cantilever left and right exposed; end vertical left and right exposed; C-C for members and forces & MWFRS for reactions shown; Lumber DOL=1.60 plate grip DOL=1.33
- TCLL: ASCE 7-16; Pr=20.0 psf (roof LL: Lum DOL=1.15 Plate DOL=1.15); Pg=20.0 psf; Pf=13.9 psf (Lum DOL=1.15 Plate DOL=1.15); Is=1.0; Rough Cat B; Fully Exp.; Ce=0.9; Cs=1.00; Ct=1.10
- This truss has been designed for greater of min roof live load of 12.0 psf or 2.00 times flat roof load of 13.9 psf on overhangs non-concurrent with other live loads.
- * This truss has been designed for a live load of 20.0psf on the bottom chord in all areas where a rectangle 3-06-00 tall by 2-00-00 wide will fit between the bottom chord and any other members.

- One RT7A MiTek connectors recommended to connect truss to bearing walls due to UPLIFT at jt(s) 8 and 6. This connection is for uplift only and does not consider lateral forces.
- This truss is designed in accordance with the 2018 International Residential Code sections R502.11.1 and R802.10.2 and referenced standard ANSI/TPI 1.

LOAD CASE(S) Standard

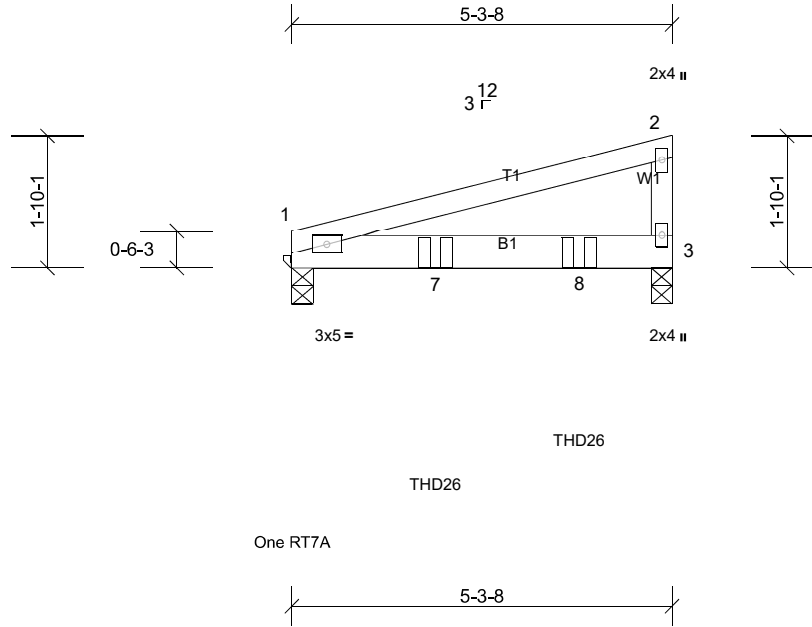
Job 22050129 - Base house	Truss H1	Truss Type Monopitch Girder	Qty 1	Ply 2	Job Reference (optional)
------------------------------	-------------	--------------------------------	----------	----------	--------------------------

Carter Components - Sanford, Sanford, NC, user

Run: 8.53 S Mar 28 2022 Print: 8.530 S Mar 28 2022 MiTek Industries, Inc. Wed May 25 14:19:33

Page: 1

ID: _Fckz7z7tdQODJLAKUdLGXzD8OV-I8LMLECP88MnO49vuxcwh7Di9qjA7?4RHk9RipzD5fu



Scale = 1:32.1

Loading	(psf)	Spacing	1-11-4	CSI		DEFL	in	(loc)	I/defl	L/d	PLATES	GRIP
TCLL (roof)	20.0	Plate Grip DOL	1.15	TC	0.29	Vert(LL)	-0.03	3-6	>999	240	MT20	244/190
Snow (Pf/Pg)	13.9/20.0	Lumber DOL	1.15	BC	0.49	Vert(CT)	-0.06	3-6	>965	180		
TCDL	10.0	Rep Stress Incr	NO	WB	0.00	Horz(CT)	0.00	1	n/a	n/a		
BCLL	0.0*	Code	IRC2018/TPI2014	Matrix-MP								
BCDL	10.0										Weight: 44 lb	FT = 20%

LUMBER

TOP CHORD 2x4 SP No.2
 BOT CHORD 2x6 SP No.2
 WEBS 2x4 SP No.3

BRACING

TOP CHORD Structural wood sheathing directly applied or 5-3-8 oc purlins, except end verticals.
 BOT CHORD Rigid ceiling directly applied or 10-0-0 oc bracing.

REACTIONS (lb/size) 1=492/0-3-8, (min. 0-1-8),
 3=621/0-3-8, (min. 0-1-8)
 Max Horiz 1=39 (LC 10)
 Max Grav 1=584 (LC 2), 3=737 (LC 2)

FORCES (lb) - Max. Comp./Max. Ten. - All forces 250 (lb) or less except when shown.

TOP CHORD 1-2=-311/32
 BOT CHORD 1-7=-15/323

NOTES

- 2-ply truss to be connected together as follows:
 Top chords connected with 10d (0.131"x3") nails as follows: 2x4 - 1 row at 0-9-0 oc.
 Bottom chords connected with 10d (0.131"x3") nails as follows: 2x6 - 2 rows staggered at 0-9-0 oc.
- All loads are considered equally applied to all plies, except if noted as front (F) or back (B) face in the LOAD CASE(S) section. Ply to ply connections have been provided to distribute only loads noted as (F) or (B), unless otherwise indicated.
- Wind: ASCE 7-16; Vult=130mph (3-second gust)
 Vasd=103mph; TCDL=6.0psf; BCDL=6.0psf; h=25ft; Cat. II; Exp B; Enclosed; MWFRS (envelope); cantilever left and right exposed; end vertical left and right exposed;
 Lumber DOL=1.60 plate grip DOL=1.33
- TCLL: ASCE 7-16; Pr=20.0 psf (roof LL: Lum DOL=1.15 Plate DOL=1.15); Pg=20.0 psf; Pf=13.9 psf (Lum DOL=1.15 Plate DOL=1.15); Is=1.0; Rough Cat B; Fully Exp.; Ce=0.9; Cs=1.00; Ct=1.10; Min. flat roof snow load governs.
- Unbalanced snow loads have been considered for this design.
- * This truss has been designed for a live load of 20.0psf on the bottom chord in all areas where a rectangle 3-06-00 tall by 2-00-00 wide will fit between the bottom chord and any other members.

- One RT7A MiTek connectors recommended to connect truss to bearing walls due to UPLIFT at jt(s) 1 and 3. This connection is for uplift only and does not consider lateral forces.
 - This truss is designed in accordance with the 2018 International Residential Code sections R502.11.1 and R802.10.2 and referenced standard ANSI/TPI 1.
 - Use MiTek THD26 (With 18-16d nails into Girder & 12-10d x 1-1/2 nails into Truss) or equivalent spaced at 2-0-0 oc max. starting at 2-0-0 from the left end to 4-0-0 to connect truss(es) E2 (1 ply 2x4 SP) to back face of bottom chord.
 - Fill all nail holes where hanger is in contact with lumber.
- LOAD CASE(S)** Standard
- Dead + Snow (balanced): Lumber Increase=1.15, Plate Increase=1.15
 Uniform Loads (lb/ft)
 Vert: 1-2=-46, 3-4=-19
 Concentrated Loads (lb)
 Vert: 7=-387, 8=-387

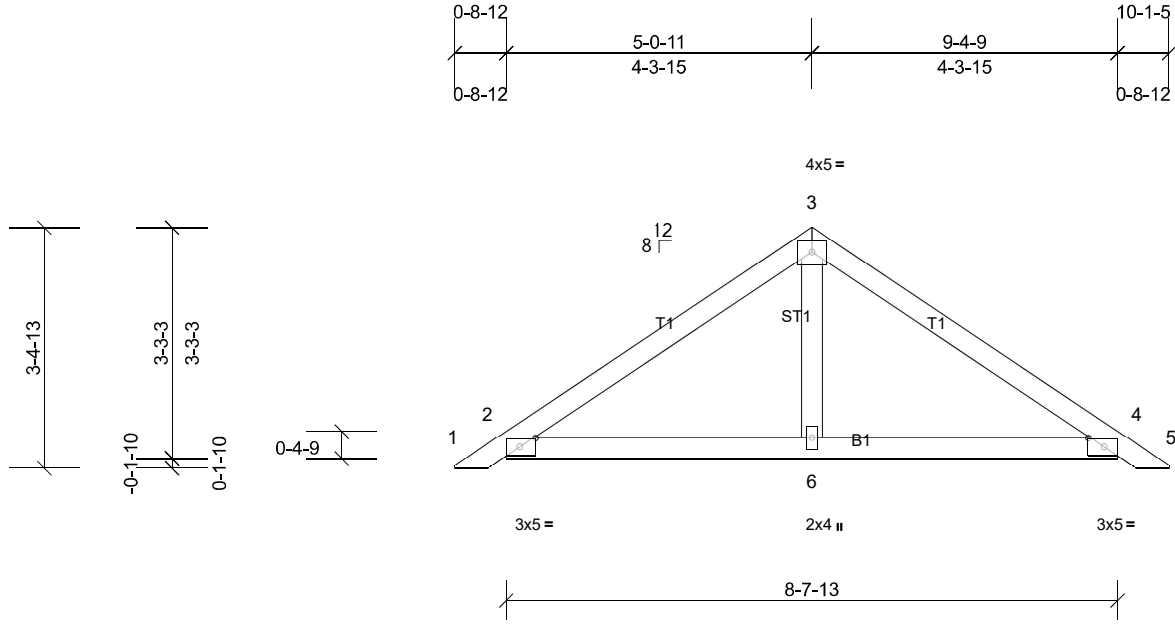
Job 22050129 - Base house	Truss PB2	Truss Type Piggyback	Qty 11	Ply 1	Job Reference (optional)
------------------------------	--------------	-------------------------	-----------	----------	--------------------------

Carter Components - Sanford, Sanford, NC, user

Run: 8.53 S Mar 28 2022 Print: 8.530 S Mar 28 2022 MiTek Industries, Inc. Wed May 25 14:19:34

Page: 1

ID:2bzZdkCLn14RpOW7_nu?XzD8Oo-mKvkZaDRvSUe0Ej6Se79DKmuWD79s1bWOU_EFzD5ft



Scale = 1:32.6

Plate Offsets (X, Y): [2:0-2-11,0-1-8], [4:0-2-11,0-1-8]

Loading	(psf)	Spacing	2-0-0	CSI	0.25	DEFL	in	(loc)	l/defl	L/d	PLATES	GRIP
TCLL (roof)	20.0	Plate Grip DOL	1.15	TC	0.25	Vert(LL)	n/a	-	n/a	999	MT20	244/190
Snow (Pf/Pg)	13.9/20.0	Lumber DOL	1.15	BC	0.25	Vert(CT)	n/a	-	n/a	999		
TCDL	10.0	Rep Stress Incr	YES	WB	0.02	Horz(CT)	0.00	2	n/a	n/a		
BCLL	0.0*	Code	IRC2018/TPI2014	Matrix-MP								
BCDL	10.0										Weight: 35 lb	FT = 20%

LUMBER

- TOP CHORD 2x4 SP No.2
- BOT CHORD 2x4 SP No.2
- OTHERS 2x4 SP No.3

BRACING

- TOP CHORD Structural wood sheathing directly applied or 6-0-0 oc purlins.
- BOT CHORD Rigid ceiling directly applied or 10-0-0 oc bracing.

MiTek recommends that Stabilizers and required cross bracing be installed during truss erection, in accordance with Stabilizer Installation guide.

REACTIONS All bearings 8-7-13.

- (lb) - Max Horiz 2=-60 (LC 11), 7=-60 (LC 11)
- Max Uplift All uplift 100 (lb) or less at joint(s) 2, 4, 7, 11
- Max Grav All reactions 250 (lb) or less at joint (s) 2, 4, 7, 11 except 6=263 (LC 2)

FORCES

- (lb) - Max. Comp./Max. Ten. - All forces 250 (lb) or less except when shown.

NOTES

- Unbalanced roof live loads have been considered for this design.
- Wind: ASCE 7-16; Vult=130mph (3-second gust) Vasd=103mph; TCDL=6.0psf; BCDL=6.0psf; h=25ft; Cat. II; Exp B; Enclosed; MWFRS (envelope) and C-C Exterior(2E) 0-3-7 to 3-3-7, Interior (1) 3-3-7 to 5-1-4, Exterior(2R) 5-1-4 to 8-1-4, Interior (1) 8-1-4 to 9-11-0 zone; cantilever left and right exposed ; end vertical left and right exposed;C-C for members and forces & MWFRS for reactions shown; Lumber DOL=1.60 plate grip DOL=1.33
- Truss designed for wind loads in the plane of the truss only. For studs exposed to wind (normal to the face), see Standard Industry Gable End Details as applicable, or consult qualified building designer as per ANSI/TPI 1.
- TCLL: ASCE 7-16; Pr=20.0 psf (roof LL: Lum DOL=1.15 Plate DOL=1.15); Pg=20.0 psf; Pf=13.9 psf (Lum DOL=1.15 Plate DOL=1.15); Is=1.0; Rough Cat B; Fully Exp.; Ce=0.9; Cs=1.00; Ct=1.10

- This truss has been designed for greater of min roof live load of 12.0 psf or 2.00 times flat roof load of 13.9 psf on overhangs non-concurrent with other live loads.
- Gable requires continuous bottom chord bearing.
- Gable studs spaced at 4-0-0 oc.
- * This truss has been designed for a live load of 20.0psf on the bottom chord in all areas where a rectangle 3-06-00 tall by 2-00-00 wide will fit between the bottom chord and any other members.
- One RT7A MiTek connectors recommended to connect truss to bearing walls due to UPLIFT at jt(s) 2, 4, and 6. This connection is for uplift only and does not consider lateral forces.
- This truss is designed in accordance with the 2018 International Residential Code sections R502.11.1 and R802.10.2 and referenced standard ANSI/TPI 1.
- See Standard Industry Piggyback Truss Connection Detail for Connection to base truss as applicable, or consult qualified building designer.

LOAD CASE(S) Standard

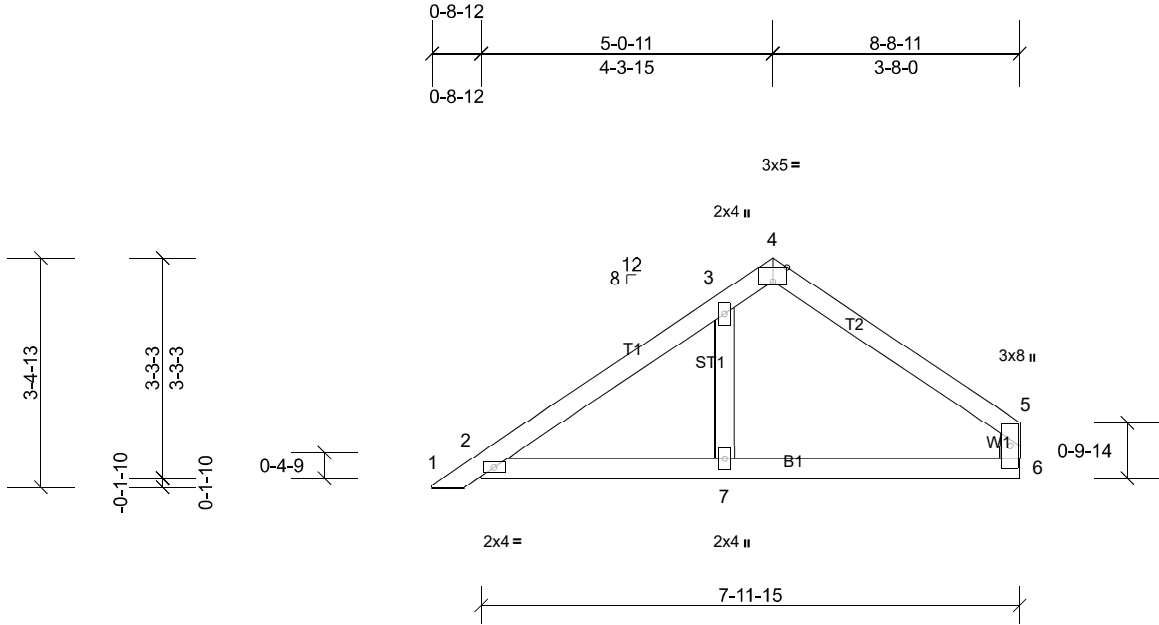
Job 22050129 - Base house	Truss PB3	Truss Type Piggyback	Qty 9	Ply 1	Job Reference (optional)
------------------------------	--------------	-------------------------	----------	----------	--------------------------

Carter Components - Sanford, Sanford, NC, user

Run: 8.53 S Mar 28 2022 Print: 8.530 S Mar 28 2022 MiTek Industries, Inc. Wed May 25 14:19:34

Page: 1

ID:2bzZzdkCLn14RpOW7_nu?XzD8Oo-mKvkZaDRvSUe0Ej6Se79DKmuqD9CsSPbWOu_EFzD5ft



Scale = 1:34.2

Plate Offsets (X, Y): [4:0-2-8,Edge]

Loading	(psf)	Spacing	2-0-0	CSI	DEFL	in	(loc)	I/defl	L/d	PLATES	GRIP	
TCLL (roof)	20.0	Plate Grip DOL	1.15	TC	0.23	Vert(LL)	n/a	-	n/a	999	MT20	244/190
Snow (Pf/Pg)	13.9/20.0	Lumber DOL	1.15	BC	0.12	Vert(CT)	n/a	-	n/a	999		
TCDL	10.0	Rep Stress Incr	YES	WB	0.06	Horz(CT)	0.00	2	n/a	n/a		
BCLL	0.0*	Code	IRC2018/TPI2014	Matrix-MP								
BCDL	10.0											
										Weight: 32 lb	FT = 20%	

LUMBER

- TOP CHORD 2x4 SP No.2
- BOT CHORD 2x4 SP No.2
- WEBS 2x4 SP No.3
- OTHERS 2x4 SP No.3

BRACING

- TOP CHORD Structural wood sheathing directly applied or 6-0-0 oc purlins, except end verticals.
- BOT CHORD Rigid ceiling directly applied or 10-0-0 oc bracing.

MiTek recommends that Stabilizers and required cross bracing be installed during truss erection, in accordance with Stabilizer Installation guide.

REACTIONS All bearings 7-11-15.

- (lb) - Max Horiz 2=65 (LC 12), 8=65 (LC 12)
- Max Uplift All uplift 100 (lb) or less at joint(s) 2, 6, 8
- Max Grav All reactions 250 (lb) or less at joint (s) 2, 6, 8 except 7=382 (LC 2)

FORCES

- (lb) - Max. Comp./Max. Ten. - All forces 250 (lb) or less except when shown.
- WEBS 3-7=-273/79

NOTES

- Unbalanced roof live loads have been considered for this design.
- Wind: ASCE 7-16; Vult=130mph (3-second gust) Vasd=103mph; TCDL=6.0psf; BCDL=6.0psf; h=25ft; Cat. II; Exp B; Enclosed; MWFRS (envelope) and C-C Exterior(2E) 0-3-7 to 3-3-7, Interior (1) 3-3-7 to 5-1-4, Exterior(2R) 5-1-4 to 8-1-4, Interior (1) 8-1-4 to 8-7-8 zone; cantilever left and right exposed; end vertical left and right exposed; C-C for members and forces & MWFRS for reactions shown; Lumber DOL=1.60 plate grip DOL=1.33
- Truss designed for wind loads in the plane of the truss only. For studs exposed to wind (normal to the face), see Standard Industry Gable End Details as applicable, or consult qualified building designer as per ANSI/TPI 1.

- TCLL: ASCE 7-16; Pr=20.0 psf (roof LL: Lum DOL=1.15 Plate DOL=1.15); Pg=20.0 psf; Pf=13.9 psf (Lum DOL=1.15 Plate DOL=1.15); Is=1.0; Rough Cat B; Fully Exp.; Ce=0.9; Cs=1.00; Ct=1.10
- This truss has been designed for greater of min roof live load of 12.0 psf or 2.00 times flat roof load of 13.9 psf on overhangs non-concurrent with other live loads.
- Gable requires continuous bottom chord bearing.
- Gable studs spaced at 4-0-0 oc.
- * This truss has been designed for a live load of 20.0psf on the bottom chord in all areas where a rectangle 3-06-00 tall by 2-00-00 wide will fit between the bottom chord and any other members.
- One RT7A MiTek connectors recommended to connect truss to bearing walls due to UPLIFT at jt(s) 6, 2, and 7. This connection is for uplift only and does not consider lateral forces.
- This truss is designed in accordance with the 2018 International Residential Code sections R502.11.1 and R802.10.2 and referenced standard ANSI/TPI 1.
- See Standard Industry Piggyback Truss Connection Detail for Connection to base truss as applicable, or consult qualified building designer.

LOAD CASE(S) Standard

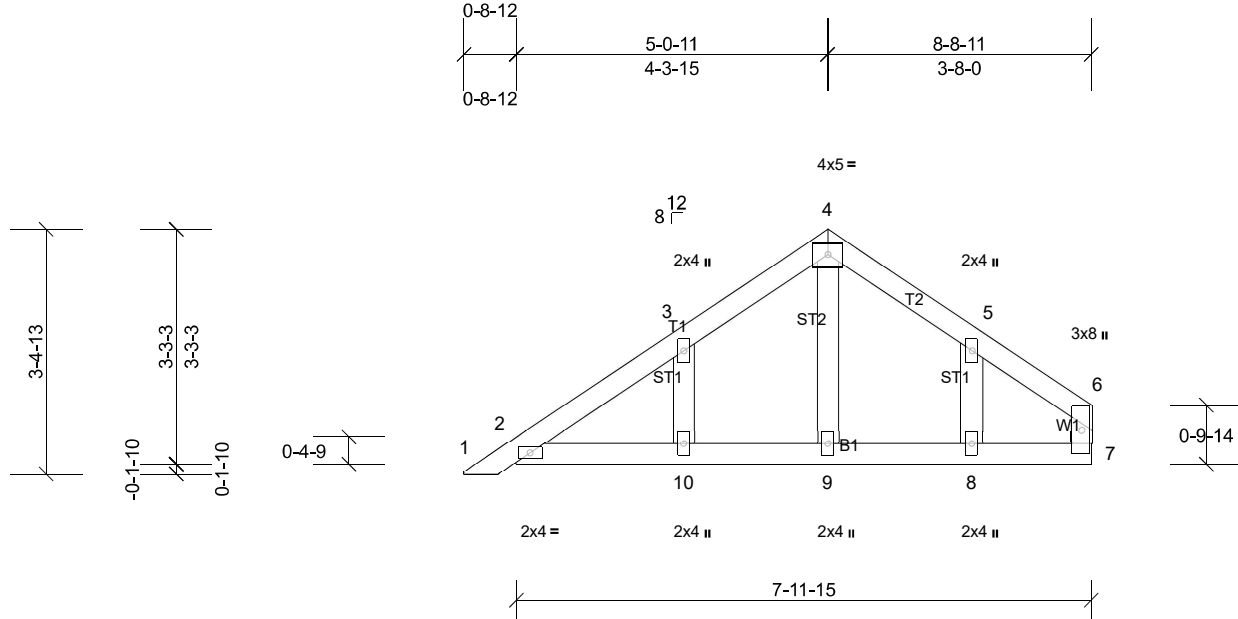
Job 22050129 - Base house	Truss PB4	Truss Type Piggyback	Qty 1	Ply 1	Job Reference (optional)
------------------------------	--------------	-------------------------	----------	----------	--------------------------

Carter Components - Sanford, Sanford, NC, user

Run: 8.53 S Mar 28 2022 Print: 8.530 S Mar 28 2022 MiTek Industries, Inc. Wed May 25 14:19:34

Page: 1

ID:2bzZzdkCLn14RpOW7_nu?XzD8Oo-mKvkZaDRvSUe0Ej6Se79DKmwKDASsSjbWOU_EFzD5ft



Scale = 1:32

Loading	(psf)	Spacing	2-0-0	CSI	DEFL	in	(loc)	I/defl	L/d	PLATES	GRIP	
TCLL (roof)	20.0	Plate Grip DOL	1.15	TC	0.07	Vert(LL)	n/a	-	n/a	999	MT20	244/190
Snow (Pf/Pg)	13.9/20.0	Lumber DOL	1.15	BC	0.04	Vert(CT)	n/a	-	n/a	999		
TCDL	10.0	Rep Stress Incr Code	YES	WB	0.04	Horz(CT)	n/a	-	n/a	n/a		
BCLL	0.0*		IRC2018/TPI2014	Matrix-MP								
BCDL	10.0										Weight: 36 lb	FT = 20%

LUMBER
TOP CHORD 2x4 SP No.2
BOT CHORD 2x4 SP No.2
WEBS 2x4 SP No.3
OTHERS 2x4 SP No.3

BRACING
TOP CHORD Structural wood sheathing directly applied or 6-0-0 oc purlins, except end verticals.
BOT CHORD Rigid ceiling directly applied or 10-0-0 oc bracing.

MiTek recommends that Stabilizers and required cross bracing be installed during truss erection, in accordance with Stabilizer Installation guide.

REACTIONS All bearings 7-11-15.
(lb) - Max Horiz 2=65 (LC 12), 11=65 (LC 12)
Max Uplift All uplift 100 (lb) or less at joint(s) 2, 7, 8, 10, 11
Max Grav All reactions 250 (lb) or less at joint (s) 2, 7, 8, 9, 10, 11

FORCES (lb) - Max. Comp./Max. Ten. - All forces 250 (lb) or less except when shown.

NOTES
1) Unbalanced roof live loads have been considered for this design.
2) Wind: ASCE 7-16; Vult=130mph (3-second gust) Vasd=103mph; TCDL=6.0psf; BCDL=6.0psf; h=25ft; Cat. II; Exp B; Enclosed; MWFRS (envelope) and C-C Exterior(2E) 0-3-7 to 3-1-4, Interior (1) 3-1-4 to 5-1-4, Exterior(2R) 5-1-4 to 8-1-4, Interior (1) 8-1-4 to 8-7-8 zone; cantilever left and right exposed; end vertical left and right exposed; C-C for members and forces & MWFRS for reactions shown; Lumber DOL=1.60 plate grip DOL=1.33
3) Truss designed for wind loads in the plane of the truss only. For studs exposed to wind (normal to the face), see Standard Industry Gable End Details as applicable, or consult qualified building designer as per ANSI/TPI 1.
4) TCLL: ASCE 7-16; Pr=20.0 psf (roof LL: Lum DOL=1.15 Plate DOL=1.15); Pg=20.0 psf; Pf=13.9 psf (Lum DOL=1.15 Plate DOL=1.15); Is=1.0; Rough Cat B; Fully Exp.; Ce=0.9; Cs=1.00; Ct=1.10

- 5) This truss has been designed for greater of min roof live load of 12.0 psf or 2.00 times flat roof load of 13.9 psf on overhangs non-concurrent with other live loads.
- 6) Gable requires continuous bottom chord bearing.
- 7) Gable studs spaced at 2-0-0 oc.
- 8) * This truss has been designed for a live load of 20.0psf on the bottom chord in all areas where a rectangle 3-06-00 tall by 2-00-00 wide will fit between the bottom chord and any other members.
- 9) One RT7A MiTek connectors recommended to connect truss to bearing walls due to UPLIFT at jt(s) 7, 2, 9, 10, and 8. This connection is for uplift only and does not consider lateral forces.
- 10) This truss is designed in accordance with the 2018 International Residential Code sections R502.11.1 and R802.10.2 and referenced standard ANSI/TPI 1.
- 11) See Standard Industry Piggyback Truss Connection Detail for Connection to base truss as applicable, or consult qualified building designer.

LOAD CASE(S) Standard

Job 22050129 - Base house	Truss VL1	Truss Type Valley	Qty 1	Ply 1	Job Reference (optional)
------------------------------	--------------	----------------------	----------	----------	--------------------------

Carter Components - Sanford, Sanford, NC, user

Run: 8.53 S Mar 28 2022 Print: 8.530 S Mar 28 2022 MiTek Industries, Inc. Wed May 25 14:19:34

Page: 1

ID:2bzZzdkCLn14RpOW7_nu?XzD80o-mKvkZaDRvSue0Ej6Se79DKmvcD8PsP3bWOu_EFzD5ft

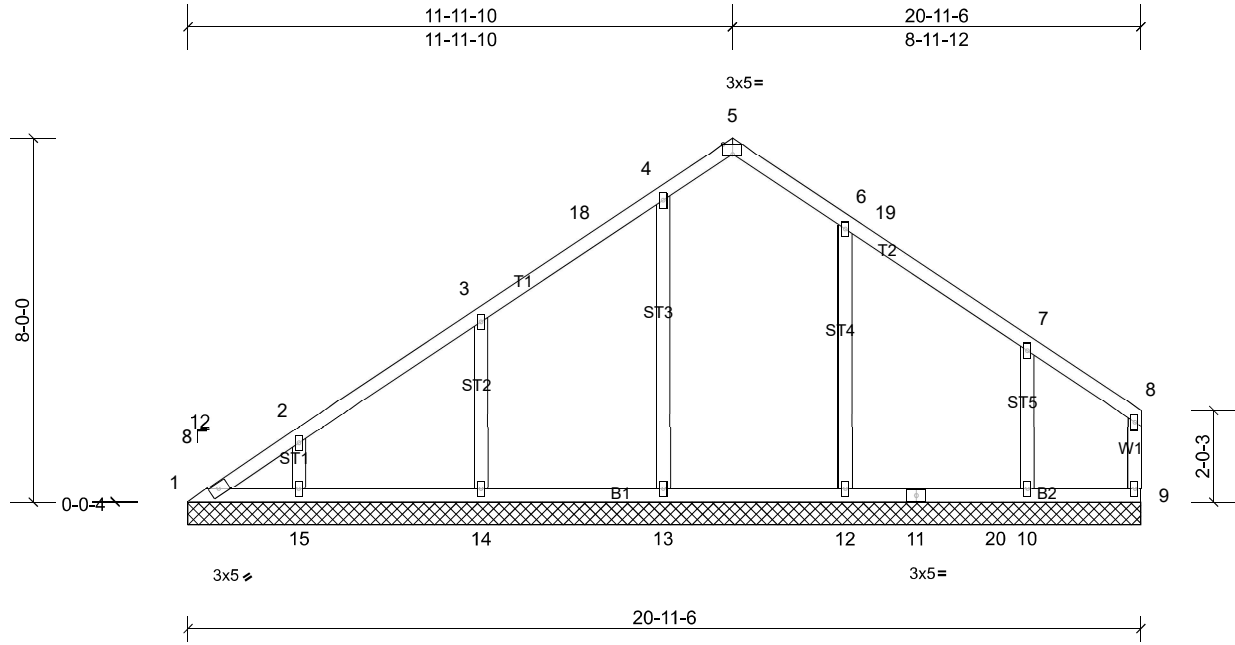


Plate Offsets (X, Y): [5:0-2-8,Edge]

Loading	(psf)	Spacing	2-0-0	CSI	DEFL	in (loc)	l/defl	L/d	PLATES	GRIP
TCLL (roof)	20.0	Plate Grip DOL	1.15	TC	0.18	Vert(LL)	n/a	-	n/a	999
Snow (Pf/Pg)	13.9/20.0	Lumber DOL	1.15	BC	0.17	Vert(TL)	n/a	-	n/a	999
TCDL	10.0	Rep Stress Incr	YES	WB	0.21	Horiz(TL)	0.00	9	n/a	n/a
BCLL	0.0*	Code	IRC2018/TPI2014	Matrix-MSH						
BCDL	10.0									
										Weight: 101 lb FT = 20%

LUMBER

- TOP CHORD 2x4 SP No.2
- BOT CHORD 2x4 SP No.2
- WEBS 2x4 SP No.3
- OTHERS 2x4 SP No.3

BRACING

- TOP CHORD Structural wood sheathing directly applied or 6-0-0 oc purlins, except end verticals.
- BOT CHORD Rigid ceiling directly applied or 10-0-0 oc bracing.

MiTek recommends that Stabilizers and required cross bracing be installed during truss erection, in accordance with Stabilizer Installation guide.

- All plates are 2x4 MT20 unless otherwise indicated.
- Gable requires continuous bottom chord bearing.
- * This truss has been designed for a live load of 20.0psf on the bottom chord in all areas where a rectangle 3-06-00 tall by 2-00-00 wide will fit between the bottom chord and any other members, with BCDL = 10.0psf.
- Provide mechanical connection (by others) of truss to bearing plate capable of withstanding 100 lb uplift at joint (s) 1, 13, 14, 15 except (jt=lb) 10=112.
- This truss is designed in accordance with the 2018 International Residential Code sections R502.11.1 and R802.10.2 and referenced standard ANSI/TPI 1.

LOAD CASE(S) Standard

REACTIONS

- All bearings 20-11-6.
- (lb) - Max Horiz 1=165 (LC 10)
- Max Uplift All uplift 100 (lb) or less at joint(s) 1, 13, 14, 15 except 10=-112 (LC 14)
- Max Grav All reactions 250 (lb) or less at joint (s) 1, 9 except 10=387 (LC 25), 12=426 (LC 25), 13=446 (LC 24), 14=431 (LC 24), 15=338 (LC 24)

FORCES

- (lb) - Max. Comp./Max. Ten. - All forces 250 (lb) or less except when shown.
- WEBS 3-14=-256/154

NOTES

- Unbalanced roof live loads have been considered for this design.
- Wind: ASCE 7-16; Vult=130mph (3-second gust) Vasd=103mph; TCDL=6.0psf; BCDL=6.0psf; h=25ft; Cat. II; Exp B; Enclosed; MWFRS (envelope) and C-C Exterior(2E) 0-0-6 to 3-0-6, Interior (1) 3-0-6 to 12-0-0, Exterior(2R) 12-0-0 to 15-0-0, Interior (1) 15-0-0 to 20-10-0 zone; cantilever left and right exposed ; end vertical left and right exposed;C-C for members and forces & MWFRS for reactions shown; Lumber DOL=1.60 plate grip DOL=1.33
- TCLL: ASCE 7-16; Pr=20.0 psf (roof LL: Lum DOL=1.15 Plate DOL=1.15); Pg=20.0 psf; Pf=13.9 psf (Lum DOL=1.15 Plate DOL=1.15); Is=1.0; Rough Cat B; Fully Exp.; Ce=0.9; Cs=1.00; Ct=1.10

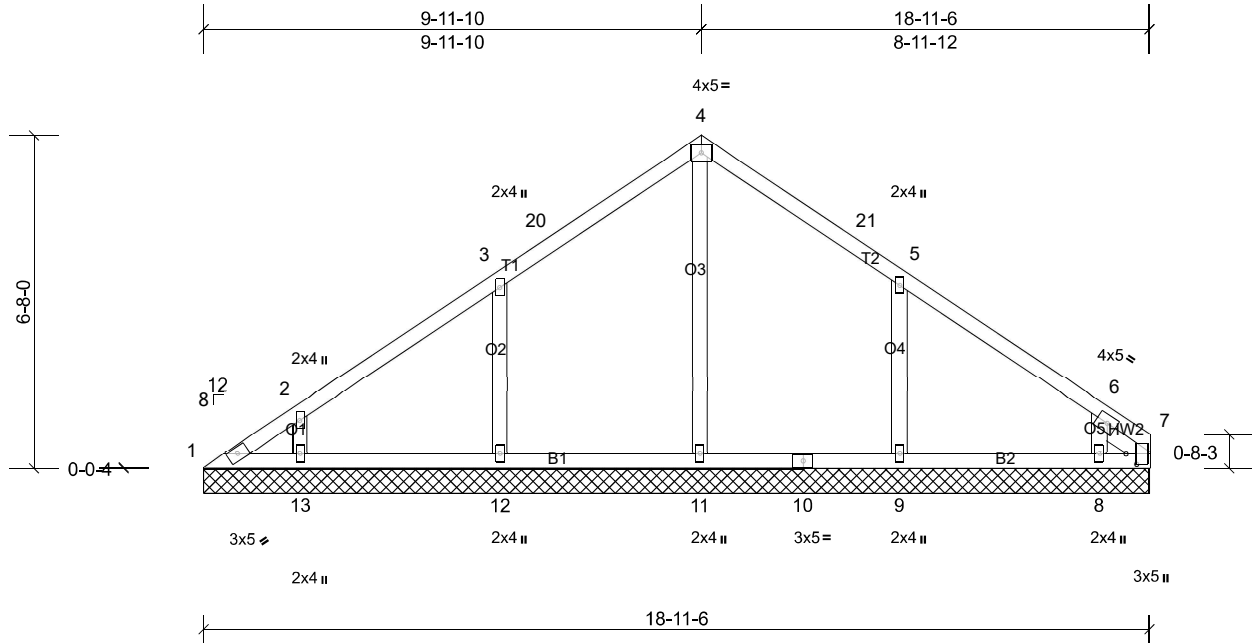
Job 22050129 - Base house	Truss VL2	Truss Type Valley	Qty 1	Ply 1	Job Reference (optional)
------------------------------	--------------	----------------------	----------	----------	--------------------------

Carter Components - Sanford, Sanford, NC, user

Run: 8.53 S Mar 28 2022 Print: 8.530 S Mar 28 2022 MiTek Industries, Inc. Wed May 25 14:19:34

Page: 1

ID: _z4JOJmTlPHoh6YvFPpM4yzD8Om-mKvkZaDRvSue0Ej6Se79DKmulD8PsQJbWou_EFzD5ft



Scale = 1:46.2

Plate Offsets (X, Y): [7:0-2-8,0-2-5]

Loading	(psf)	Spacing	2-0-0	CSI	DEFL	in (loc)	I/defl	L/d	PLATES	GRIP		
TCLL (roof)	20.0	Plate Grip DOL	1.15	TC	0.20	Vert(LL)	n/a	-	n/a	999	MT20	244/190
Snow (Pf/Pg)	13.9/20.0	Lumber DOL	1.15	BC	0.17	Vert(TL)	n/a	-	n/a	999		
TCDL	10.0	Rep Stress Incr	YES	WB	0.13	Horiz(TL)	0.00	7	n/a	n/a		
BCLL	0.0*	Code	IRC2018/TPI2014	Matrix-MSH								
BCDL	10.0										Weight: 85 lb	FT = 20%

- LUMBER**
- TOP CHORD 2x4 SP No.2
 - BOT CHORD 2x4 SP No.2
 - OTHERS 2x4 SP No.3
 - SLIDER Right 2x4 SP No.3 -- 1-0-12

- BRACING**
- TOP CHORD Structural wood sheathing directly applied or 6-0-0 oc purlins.
 - BOT CHORD Rigid ceiling directly applied or 10-0-0 oc bracing.

MiTek recommends that Stabilizers and required cross bracing be installed during truss erection, in accordance with Stabilizer Installation guide.

- Gable requires continuous bottom chord bearing.
- * This truss has been designed for a live load of 20.0psf on the bottom chord in all areas where a rectangle 3-06-00 tall by 2-00-00 wide will fit between the bottom chord and any other members, with BCDL = 10.0psf.
- Provide mechanical connection (by others) of truss to bearing plate capable of withstanding 100 lb uplift at joint (s) 1, 7, 12, 13, 9, 8, 7.
- This truss is designed in accordance with the 2018 International Residential Code sections R502.11.1 and R802.10.2 and referenced standard ANSI/TPI 1.

LOAD CASE(S) Standard

- REACTIONS** All bearings 18-11-6.
- (lb) - Max Horiz 1=121 (LC 10)
 - Max Uplift All uplift 100 (lb) or less at joint(s) 1, 7, 8, 9, 12, 13, 16
 - Max Grav All reactions 250 (lb) or less at joint (s) 1, 7, 16 except 8=329 (LC 25), 9=446 (LC 25), 11=363 (LC 24), 12=452 (LC 24), 13=318 (LC 24)

- FORCES** (lb) - Max. Comp./Max. Ten. - All forces 250 (lb) or less except when shown.
- WEBS** 3-12=-277/142, 5-9=-273/139

- NOTES**
- Unbalanced roof live loads have been considered for this design.
 - Wind: ASCE 7-16; Vult=130mph (3-second gust) Vasd=103mph; TCDL=6.0psf; BCDL=6.0psf; h=25ft; Cat. II; Exp B; Enclosed; MWFRS (envelope) and C-C Exterior(2E) 0-0-6 to 3-0-6, Interior (1) 3-0-6 to 10-0-0, Exterior(2R) 10-0-0 to 13-0-0, Interior (1) 13-0-0 to 18-11-12 zone; cantilever left and right exposed; end vertical left and right exposed; C-C for members and forces & MWFRS for reactions shown; Lumber DOL=1.60 plate grip DOL=1.33
 - TCLL: ASCE 7-16; Pr=20.0 psf (roof LL: Lum DOL=1.15 Plate DOL=1.15); Pg=20.0 psf; Pf=13.9 psf (Lum DOL=1.15 Plate DOL=1.15); Is=1.0; Rough Cat B; Fully Exp.; Ce=0.9; Cs=1.00; Ct=1.10
 - All plates are 2x4 MT20 unless otherwise indicated.

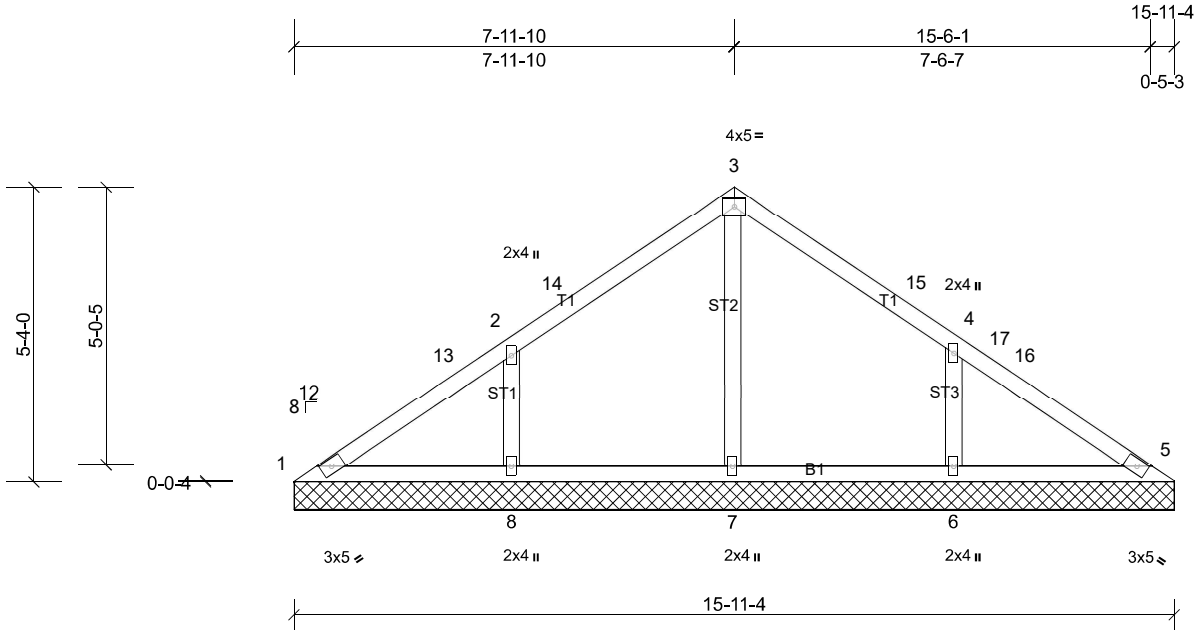
Job 22050129 - Base house	Truss VL3	Truss Type Valley	Qty 1	Ply 1	Job Reference (optional)
------------------------------	--------------	----------------------	----------	----------	--------------------------

Carter Components - Sanford, Sanford, NC, user

Run: 8.53 S Mar 28 2022 Print: 8.530 S Mar 28 2022 MiTek Industries, Inc. Wed May 25 14:19:35

Page: 1

ID:SAehcen5eiPfiG75o7Kbd9zD8OI-EWT6mwE3gmcVeOII?LeOmYI3adTHbtjki2eXmizD5fs



Scale = 1:41.7

Loading	(psf)	Spacing	2-0-0	CSI	DEFL	in	(loc)	I/defl	L/d	PLATES	GRIP	
TCLL (roof)	20.0	Plate Grip DOL	1.15	TC	0.23	Vert(LL)	n/a	-	n/a	999	MT20	244/190
Snow (Pf/Pg)	13.9/20.0	Lumber DOL	1.15	BC	0.13	Vert(TL)	n/a	-	n/a	999		
TCDL	10.0	Rep Stress Incr	YES	WB	0.12	Horiz(TL)	0.00	5	n/a	n/a		
BCLL	0.0*	Code	IRC2018/TPI2014	Matrix-MSH								
BCDL	10.0										Weight: 64 lb	FT = 20%

LUMBER
 TOP CHORD 2x4 SP No.2
 BOT CHORD 2x4 SP No.2
 OTHERS 2x4 SP No.3

BRACING
 TOP CHORD Structural wood sheathing directly applied or 6-0-0 oc purlins.
 BOT CHORD Rigid ceiling directly applied or 6-0-0 oc bracing.

MiTek recommends that Stabilizers and required cross bracing be installed during truss erection, in accordance with Stabilizer Installation guide.

- 6) Provide mechanical connection (by others) of truss to bearing plate capable of withstanding 100 lb uplift at joint (s) 8, 6.
- 7) This truss is designed in accordance with the 2018 International Residential Code sections R502.11.1 and R802.10.2 and referenced standard ANSI/TPI 1.

LOAD CASE(S) Standard

REACTIONS All bearings 15-11-4.
 (lb) - Max Horiz 1=97 (LC 10)
 Max Uplift All uplift 100 (lb) or less at joint(s) 6, 8
 Max Grav All reactions 250 (lb) or less at joint (s) 1, 5 except 6=366 (LC 25), 7=302 (LC 2), 8=385 (LC 24)

FORCES (lb) - Max. Comp./Max. Ten. - All forces 250 (lb) or less except when shown.

WEBS 2-8=-277/143, 4-6=-267/143

- NOTES**
- 1) Unbalanced roof live loads have been considered for this design.
 - 2) Wind: ASCE 7-16; Vult=130mph (3-second gust) Vasd=103mph; TCDL=6.0psf; BCDL=6.0psf; h=25ft; Cat. II; Exp B; Enclosed; MWFRS (envelope) and C-C Exterior(2E) 0-0-6 to 3-0-6, Interior (1) 3-0-6 to 8-0-0, Exterior(2R) 8-0-0 to 11-0-0, Interior (1) 11-0-0 to 15-6-4 zone; cantilever left and right exposed; end vertical left and right exposed; C-C for members and forces & MWFRS for reactions shown; Lumber DOL=1.60 plate grip DOL=1.33
 - 3) TCLL: ASCE 7-16; Pr=20.0 psf (roof LL: Lum DOL=1.15 Plate DOL=1.15); Pg=20.0 psf; Pf=13.9 psf (Lum DOL=1.15 Plate DOL=1.15); Is=1.0; Rough Cat B; Fully Exp.; Ce=0.9; Cs=1.00; Ct=1.10
 - 4) Gable requires continuous bottom chord bearing.
 - 5) * This truss has been designed for a live load of 20.0psf on the bottom chord in all areas where a rectangle 3-06-00 tall by 2-00-00 wide will fit between the bottom chord and any other members.

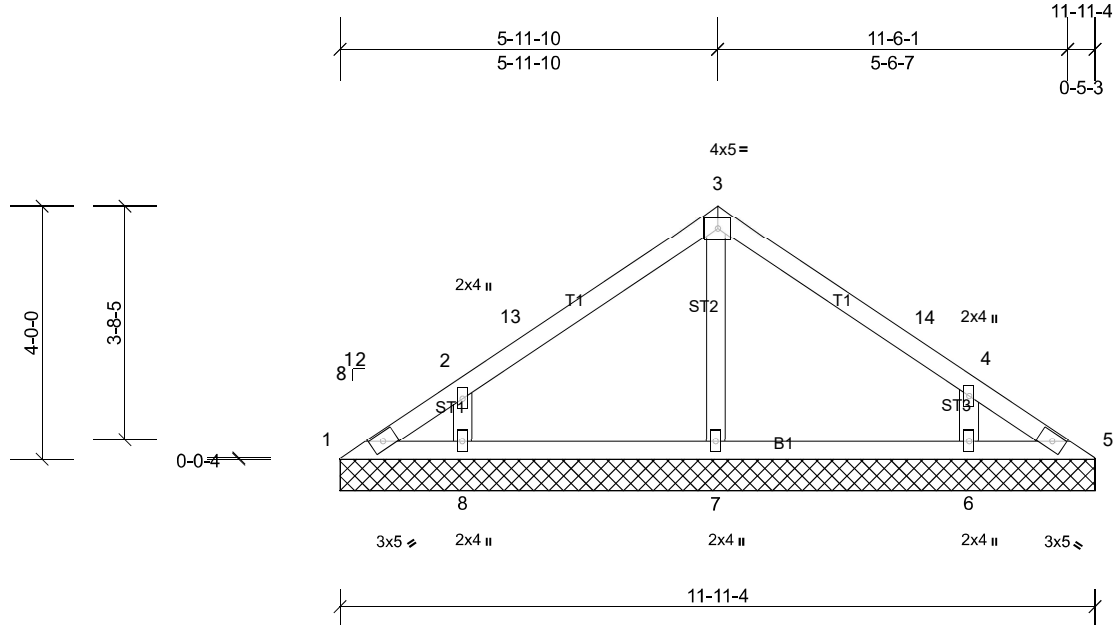
Job 22050129 - Base house	Truss VL4	Truss Type Valley	Qty 1	Ply 1	Job Reference (optional)
------------------------------	--------------	----------------------	----------	----------	--------------------------

Carter Components - Sanford, Sanford, NC, user

Run: 8.53 S Mar 28 2022 Print: 8.530 S Mar 28 2022 MiTek Industries, Inc. Wed May 25 14:19:35

Page: 1

ID:SAehcen5eiPFIg75o7Kbd9zD8OI-EWT6mwE3gmcVeOI?LeOmYI4MdUubuokl2eXmizD5fs



Scale = 1:36.4

Loading	(psf)	Spacing	2-0-0	CSI	DEFL	in	(loc)	l/defl	L/d	PLATES	GRIP	
TCLL (roof)	20.0	Plate Grip DOL	1.15	TC	0.18	Vert(LL)	n/a	-	n/a	999	MT20	244/190
Snow (Pf/Pg)	13.9/20.0	Lumber DOL	1.15	BC	0.09	Vert(TL)	n/a	-	n/a	999		
TCDL	10.0	Rep Stress Incr	YES	WB	0.05	Horiz(TL)	0.00	5	n/a	n/a		
BCLL	0.0*	Code	IRC2018/TPI2014	Matrix-MSH								
BCDL	10.0										Weight: 45 lb	FT = 20%

LUMBER
TOP CHORD 2x4 SP No.2
BOT CHORD 2x4 SP No.2
OTHERS 2x4 SP No.3

BRACING
TOP CHORD Structural wood sheathing directly applied or 6-0-0 oc purlins.
BOT CHORD Rigid ceiling directly applied or 10-0-0 oc bracing.

MiTek recommends that Stabilizers and required cross bracing be installed during truss erection, in accordance with Stabilizer Installation guide.

- 6) Provide mechanical connection (by others) of truss to bearing plate capable of withstanding 100 lb uplift at joint (s) 1, 8, 6.
- 7) This truss is designed in accordance with the 2018 International Residential Code sections R502.11.1 and R802.10.2 and referenced standard ANSI/TPI 1.

LOAD CASE(S) Standard

REACTIONS All bearings 11-11-4.
(lb) - Max Horiz 1=72 (LC 12)
Max Uplift All uplift 100 (lb) or less at joint(s) 1, 6, 8
Max Grav All reactions 250 (lb) or less at joint (s) 1, 5 except 6=305 (LC 25), 7=260 (LC 2), 8=309 (LC 24)

FORCES (lb) - Max. Comp./Max. Ten. - All forces 250 (lb) or less except when shown.

WEBS 2-8=-260/182, 4-6=-251/176

- NOTES**
- 1) Unbalanced roof live loads have been considered for this design.
 - 2) Wind: ASCE 7-16; Vult=130mph (3-second gust) Vasd=103mph; TCDL=6.0psf; BCDL=6.0psf; h=25ft; Cat. II; Exp B; Enclosed; MWFRS (envelope) and C-C Exterior(2E) 0-0-6 to 3-0-6, Interior (1) 3-0-6 to 6-0-0, Exterior(2R) 6-0-0 to 9-0-0, Interior (1) 9-0-0 to 11-11-10 zone; cantilever left and right exposed; end vertical left and right exposed; C-C for members and forces & MWFRS for reactions shown; Lumber DOL=1.60 plate grip DOL=1.33
 - 3) TCLL: ASCE 7-16; Pr=20.0 psf (roof LL: Lum DOL=1.15 Plate DOL=1.15); Pg=20.0 psf; Pf=13.9 psf (Lum DOL=1.15 Plate DOL=1.15); Is=1.0; Rough Cat B; Fully Exp.; Ce=0.9; Cs=1.00; Ct=1.10
 - 4) Gable requires continuous bottom chord bearing.
 - 5) * This truss has been designed for a live load of 20.0psf on the bottom chord in all areas where a rectangle 3-06-00 tall by 2-00-00 wide will fit between the bottom chord and any other members.

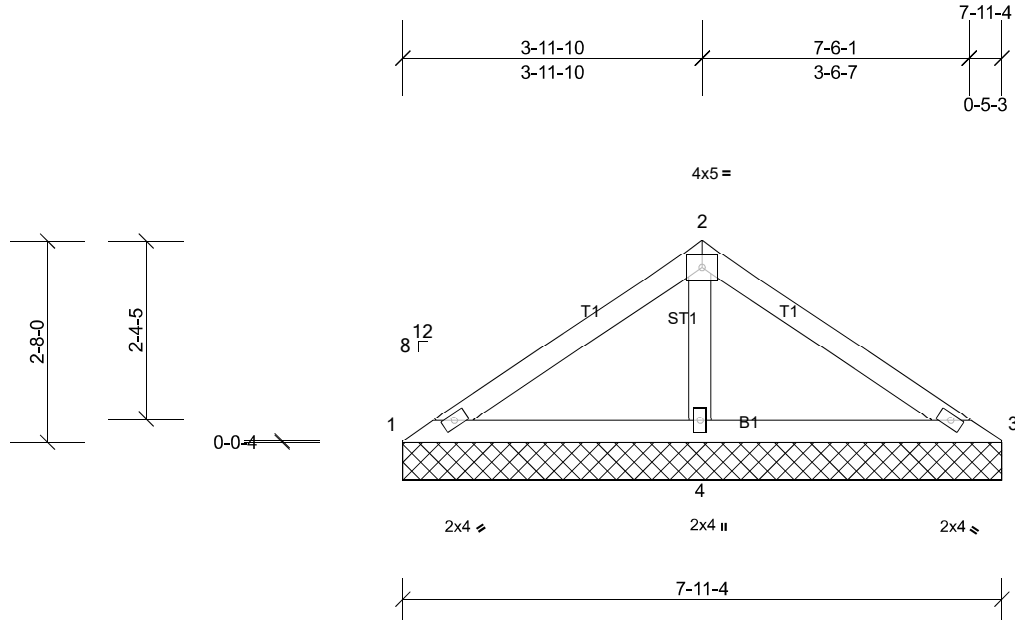
Job 22050129 - Base house	Truss VL5	Truss Type Valley	Qty 1	Ply 1	Job Reference (optional)
------------------------------	--------------	----------------------	----------	----------	--------------------------

Carter Components - Sanford, Sanford, NC, user

Run: 8.53 S Mar 28 2022 Print: 8.530 S Mar 28 2022 MiTek Industries, Inc. Wed May 25 14:19:35

Page: 1

ID:SAehcen5eiPfiG75o7Kbd9zD8OI-EWT6mwE3gmcVeOI?LeOmYI32dTLbAKI2eXmizD5fs



Scale = 1:30.5

Loading	(psf)	Spacing	2-0-0	CSI	DEFL	in	(loc)	l/defl	L/d	PLATES	GRIP	
TCLL (roof)	20.0	Plate Grip DOL	1.15	TC	0.20	Vert(LL)	n/a	-	n/a	999	MT20	244/190
Snow (Pf/Pg)	13.9/20.0	Lumber DOL	1.15	BC	0.19	Vert(TL)	n/a	-	n/a	999		
TCDL	10.0	Rep Stress Incr	YES	WB	0.09	Horiz(TL)	0.00	3	n/a	n/a		
BCLL	0.0*	Code	IRC2018/TPI2014	Matrix-MP								
BCDL	10.0										Weight: 27 lb	FT = 20%

LUMBER
TOP CHORD 2x4 SP No.2
BOT CHORD 2x4 SP No.2
OTHERS 2x4 SP No.3

BRACING
TOP CHORD Structural wood sheathing directly applied or 7-11-4 oc purlins.
BOT CHORD Rigid ceiling directly applied or 6-0-0 oc bracing.

MiTek recommends that Stabilizers and required cross bracing be installed during truss erection, in accordance with Stabilizer Installation guide.

- 6) Provide mechanical connection (by others) of truss to bearing plate capable of withstanding 12 lb uplift at joint 1 and 9 lb uplift at joint 3.
- 7) This truss is designed in accordance with the 2018 International Residential Code sections R502.11.1 and R802.10.2 and referenced standard ANSI/TPI 1.

LOAD CASE(S) Standard

REACTIONS (lb/size)
1=31/7-11-4, (min. 0-1-8),
3=34/7-11-4, (min. 0-1-8),
4=47/7-11-4, (min. 0-1-8)
Max Horiz 1=-47 (LC 9)
Max Uplift 1=-12 (LC 31), 3=-9 (LC 30)
Max Grav 1=67 (LC 30), 3=70 (LC 31), 4=558 (LC 2)

FORCES (lb) - Max. Comp./Max. Ten. - All forces 250 (lb) or less except when shown.

WEBS 2-4=-401/188

NOTES

- 1) Unbalanced roof live loads have been considered for this design.
- 2) Wind: ASCE 7-16; Vult=130mph (3-second gust) Vasd=103mph; TCDL=6.0psf; BCDL=6.0psf; h=25ft; Cat. II; Exp B; Enclosed; MWFRS (envelope) and C-C Exterior(2E) 0-0-6 to 3-0-6, Interior (1) 3-0-6 to 4-0-0, Exterior(2R) 4-0-0 to 7-0-7, Interior (1) 7-0-7 to 7-11-10 zone; cantilever left and right exposed; end vertical left and right exposed; C-C for members and forces & MWFRS for reactions shown; Lumber DOL=1.60 plate grip DOL=1.33
- 3) TCLL: ASCE 7-16; Pr=20.0 psf (roof LL: Lum DOL=1.15 Plate DOL=1.15); Pg=20.0 psf; Pf=13.9 psf (Lum DOL=1.15 Plate DOL=1.15); Is=1.0; Rough Cat B; Fully Exp.; Ce=0.9; Cs=1.00; Ct=1.10
- 4) Gable requires continuous bottom chord bearing.
- 5) * This truss has been designed for a live load of 20.0psf on the bottom chord in all areas where a rectangle 3-06-00 tall by 2-00-00 wide will fit between the bottom chord and any other members.

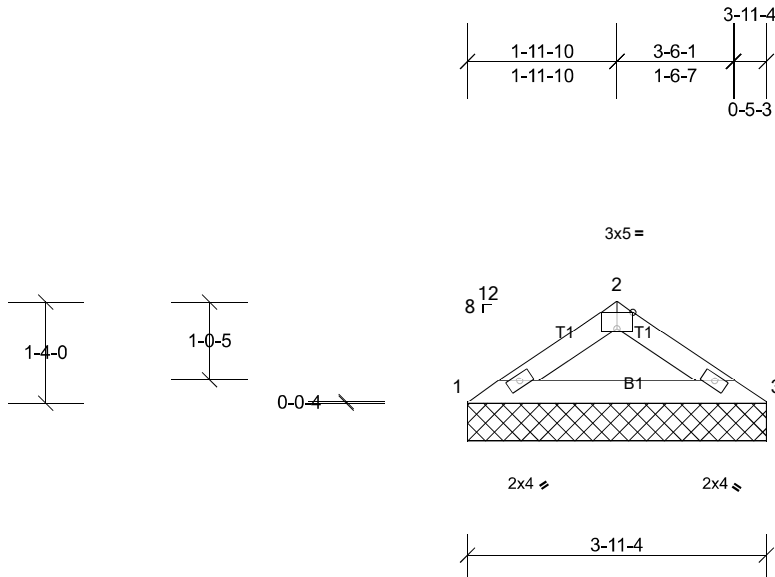
Job 22050129 - Base house	Truss VL6	Truss Type Valley	Qty 1	Ply 1	Job Reference (optional)
------------------------------	--------------	----------------------	----------	----------	--------------------------

Carter Components - Sanford, Sanford, NC, user

Run: 8.53 S Mar 28 2022 Print: 8.530 S Mar 28 2022 MiTek Industries, Inc. Wed May 25 14:19:35

Page: 1

ID:SAehcen5eiPflG75o7Kbd9zD8OI-EWT6mwE3gmcVeOI?LeOmY15TdUkbuakl2eXmizD5fs



Scale = 1:30.4

Plate Offsets (X, Y): [2:0-2-8,Edge]

Loading	(psf)	Spacing	2-0-0	CSI	DEFL	in	(loc)	l/defl	L/d	PLATES	GRIP	
TCLL (roof)	20.0	Plate Grip DOL	1.15	TC	0.11	Vert(LL)	n/a	-	n/a	999	MT20	244/190
Snow (Pf/Pg)	13.9/20.0	Lumber DOL	1.15	BC	0.10	Vert(TL)	n/a	-	n/a	999		
TCDL	10.0	Rep Stress Incr	YES	WB	0.00	Horiz(TL)	0.00	3	n/a	n/a		
BCLL	0.0*	Code	IRC2018/TPI2014	Matrix-MP								
BCDL	10.0											
										Weight: 11 lb	FT = 20%	

LUMBER

TOP CHORD 2x4 SP No.2
BOT CHORD 2x4 SP No.2

BRACING

TOP CHORD Structural wood sheathing directly applied or 3-11-4 oc purlins.
BOT CHORD Rigid ceiling directly applied or 10-0-0 oc bracing.

MiTek recommends that Stabilizers and required cross bracing be installed during truss erection, in accordance with Stabilizer Installation guide.

REACTIONS (lb/size) 1=133/3-11-4, (min. 0-1-8),
3=133/3-11-4, (min. 0-1-8)
Max Horiz 1=22 (LC 12)
Max Grav 1=158 (LC 2), 3=158 (LC 2)

FORCES (lb) - Max. Comp./Max. Ten. - All forces 250 (lb) or less except when shown.

NOTES

- 1) Unbalanced roof live loads have been considered for this design.
- 2) Wind: ASCE 7-16; Vult=130mph (3-second gust) Vasd=103mph; TCDL=6.0psf; BCDL=6.0psf; h=25ft; Cat. II; Exp B; Enclosed; MWFRS (envelope) and C-C Exterior(2E) zone; cantilever left and right exposed ; end vertical left and right exposed;C-C for members and forces & MWFRS for reactions shown; Lumber DOL=1.60 plate grip DOL=1.33
- 3) TCLL: ASCE 7-16; Pr=20.0 psf (roof LL: Lum DOL=1.15 Plate DOL=1.15); Pg=20.0 psf; Pf=13.9 psf (Lum DOL=1.15 Plate DOL=1.15); Is=1.0; Rough Cat B; Fully Exp.; Ce=0.9; Cs=1.00; Ct=1.10
- 4) Gable requires continuous bottom chord bearing.
- 5) * This truss has been designed for a live load of 20.0psf on the bottom chord in all areas where a rectangle 3-06-00 tall by 2-00-00 wide will fit between the bottom chord and any other members.
- 6) This truss is designed in accordance with the 2018 International Residential Code sections R502.11.1 and R802.10.2 and referenced standard ANSI/TPI 1.

LOAD CASE(S) Standard

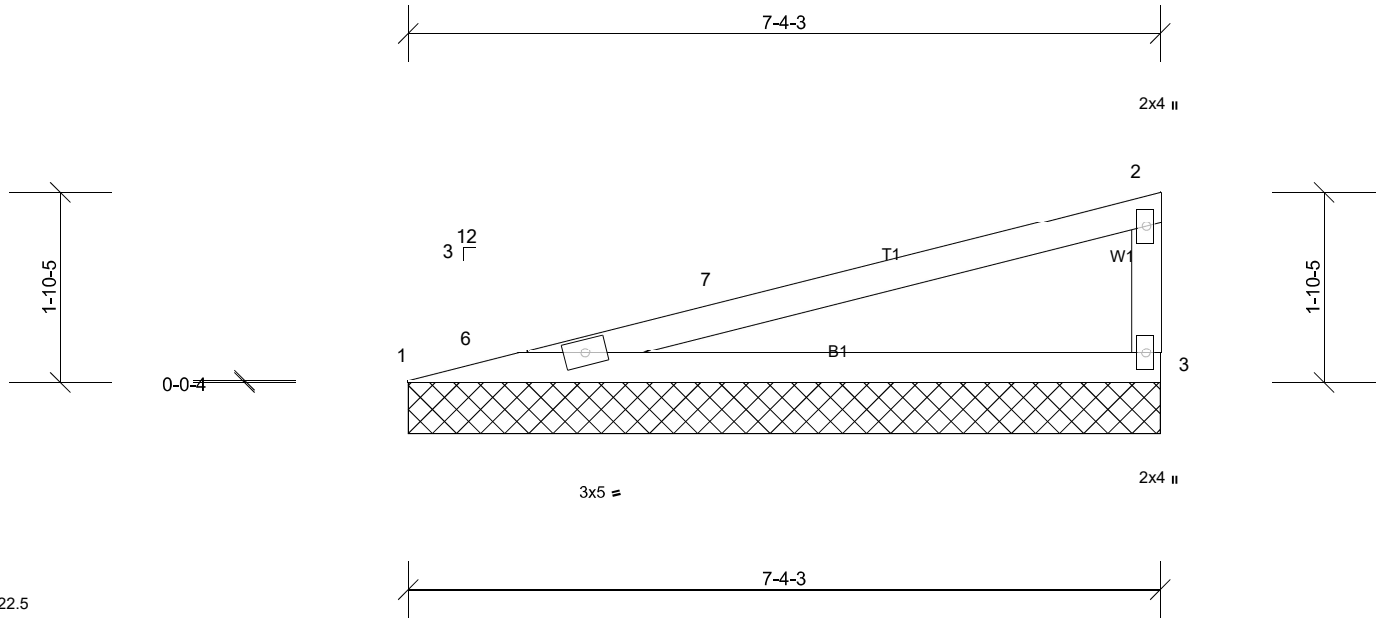
Job 22050129 - Base house	Truss VL7	Truss Type Valley	Qty 1	Ply 1	Job Reference (optional)
------------------------------	--------------	----------------------	----------	----------	--------------------------

Carter Components - Sanford, Sanford, NC, user

Run: 8.53 S Mar 28 2022 Print: 8.530 S Mar 28 2022 MiTek Industries, Inc. Wed May 25 14:19:35

Page: 1

ID:SAehcen5eiPfiG75o7Kbd9zD8OI-EWT6mwE3gmcVeOII?LeOmYlw?dliibuaki2eXmizD5fs



Scale = 1:22.5

Loading	(psf)	Spacing	2-0-0	CSI	DEFL	in	(loc)	l/defl	L/d	PLATES	GRIP	
TCLL (roof)	20.0	Plate Grip DOL	1.15	TC	0.78	Vert(LL)	n/a	-	n/a	999	MT20	244/190
Snow (Pf/Pg)	13.9/20.0	Lumber DOL	1.15	BC	0.87	Vert(TL)	n/a	-	n/a	999		
TCDL	10.0	Rep Stress Incr	YES	WB	0.00	Horiz(TL)	0.02	3	n/a	n/a		
BCLL	0.0*	Code	IRC2018/TPI2014	Matrix-MP								
BCDL	10.0										Weight: 22 lb	FT = 20%

LUMBER

TOP CHORD 2x4 SP No.2
 BOT CHORD 2x4 SP No.2
 WEBS 2x4 SP No.3

BRACING

TOP CHORD Structural wood sheathing directly applied or 6-0-0 oc purlins, except end verticals.
 BOT CHORD Rigid ceiling directly applied or 7-6-0 oc bracing.

MiTek recommends that Stabilizers and required cross bracing be installed during truss erection, in accordance with Stabilizer Installation guide.

- 6) Provide mechanical connection (by others) of truss to bearing plate capable of withstanding 8 lb uplift at joint 3 and 4 lb uplift at joint 1.
- 7) This truss is designed in accordance with the 2018 International Residential Code sections R502.11.1 and R802.10.2 and referenced standard ANSI/TPI 1.

LOAD CASE(S) Standard

REACTIONS (lb/size) 1=244/7-4-3, (min. 0-1-8),
 3=244/7-4-3, (min. 0-1-8)
 Max Horiz 1=47 (LC 12)
 Max Uplift 1=-4 (LC 11), 3=-8 (LC 15)
 Max Grav 1=305 (LC 21), 3=317 (LC 21)

FORCES (lb) - Max. Comp./Max. Ten. - All forces 250 (lb) or less except when shown.

TOP CHORD 1-6=-936/293, 1-6=-918/296
 BOT CHORD 1-3=-396/901

NOTES

- 1) Wind: ASCE 7-16; Vult=130mph (3-second gust) Vasd=103mph; TCDL=6.0psf; BCDL=6.0psf; h=25ft; Cat. II; Exp B; Enclosed; MWFRS (envelope) and C-C Exterior(2E) 0-1-0 to 3-1-0, Interior (1) 3-1-0 to 7-3-7 zone; cantilever left and right exposed ; end vertical left and right exposed;C-C for members and forces & MWFRS for reactions shown; Lumber DOL=1.60 plate grip DOL=1.33
- 2) TCLL: ASCE 7-16; Pr=20.0 psf (roof LL: Lum DOL=1.15 Plate DOL=1.15); Pg=20.0 psf; Pf=13.9 psf (Lum DOL=1.15 Plate DOL=1.15); Is=1.0; Rough Cat B; Fully Exp.; Ce=0.9; Cs=1.00; Ct=1.10; Min. flat roof snow load governs.
- 3) Unbalanced snow loads have been considered for this design.
- 4) Gable requires continuous bottom chord bearing.
- 5) * This truss has been designed for a live load of 20.0psf on the bottom chord in all areas where a rectangle 3-06-00 tall by 2-00-00 wide will fit between the bottom chord and any other members.

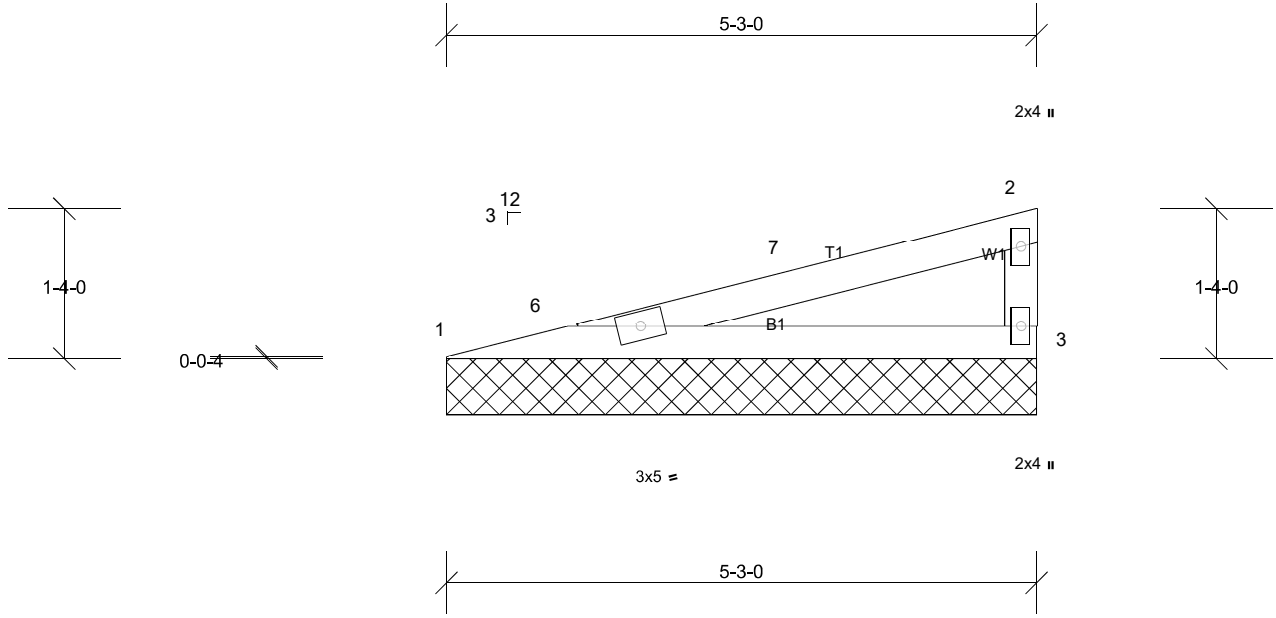
Job 22050129 - Base house	Truss VL8	Truss Type Valley	Qty 1	Ply 1	Job Reference (optional)
------------------------------	--------------	----------------------	----------	----------	--------------------------

Carter Components - Sanford, Sanford, NC, user

Run: 8.53 S Mar 28 2022 Print: 8.530 S Mar 28 2022 MiTek Industries, Inc. Wed May 25 14:19:35

Page: 1

ID:SAehcen5eiPfiG75o7Kbd9zD8OI-EWT6mwE3gmcVeOI?LeOmY110dPvbuakl2eXmizD5fs



Scale = 1:20.5

Loading	(psf)	Spacing	2-0-0	CSI	DEFL	in	(loc)	l/defl	L/d	PLATES	GRIP	
TCLL (roof)	20.0	Plate Grip DOL	1.15	TC	0.33	Vert(LL)	n/a	-	n/a	999	MT20	244/190
Snow (Pf/Pg)	13.9/20.0	Lumber DOL	1.15	BC	0.41	Vert(TL)	n/a	-	n/a	999		
TCDL	10.0	Rep Stress Incr	YES	WB	0.00	Horiz(TL)	0.01	3	n/a	n/a		
BCLL	0.0*	Code	IRC2018/TPI2014	Matrix-MP								
BCDL	10.0											
											Weight: 15 lb	FT = 20%

LUMBER

TOP CHORD 2x4 SP No.2
 BOT CHORD 2x4 SP No.2
 WEBS 2x4 SP No.3

BRACING

TOP CHORD Structural wood sheathing directly applied or 5-3-0 oc purlins, except end verticals.
 BOT CHORD Rigid ceiling directly applied or 10-0-0 oc bracing.

MiTek recommends that Stabilizers and required cross bracing be installed during truss erection, in accordance with Stabilizer Installation guide.

- 6) Provide mechanical connection (by others) of truss to bearing plate capable of withstanding 5 lb uplift at joint 3 and 3 lb uplift at joint 1.
- 7) This truss is designed in accordance with the 2018 International Residential Code sections R502.11.1 and R802.10.2 and referenced standard ANSI/TPI 1.

LOAD CASE(S) Standard

REACTIONS (lb/size) 1=173/5-3-0, (min. 0-1-8),
 3=173/5-3-0, (min. 0-1-8)
 Max Horiz 1=32 (LC 12)
 Max Uplift 1=-3 (LC 11), 3=-5 (LC 15)
 Max Grav 1=225 (LC 21), 3=225 (LC 21)

FORCES (lb) - Max. Comp./Max. Ten. - All forces 250 (lb) or less except when shown.

TOP CHORD 1-6=-588/267, 1-6=-572/269
 BOT CHORD 1-3=-354/562

NOTES

- 1) Wind: ASCE 7-16; Vult=130mph (3-second gust) Vasd=103mph; TCDL=6.0psf; BCDL=6.0psf; h=25ft; Cat. II; Exp B; Enclosed; MWFRS (envelope) and C-C Exterior(2E) 0-1-0 to 3-1-0, Interior (1) 3-1-0 to 5-2-4 zone; cantilever left and right exposed ; end vertical left and right exposed;C-C for members and forces & MWFRS for reactions shown; Lumber DOL=1.60 plate grip DOL=1.33
- 2) TCLL: ASCE 7-16; Pr=20.0 psf (roof LL: Lum DOL=1.15 Plate DOL=1.15); Pg=20.0 psf; Pf=13.9 psf (Lum DOL=1.15 Plate DOL=1.15); Is=1.0; Rough Cat B; Fully Exp.; Ce=0.9; Cs=1.00; Ct=1.10; Min. flat roof snow load governs.
- 3) Unbalanced snow loads have been considered for this design.
- 4) Gable requires continuous bottom chord bearing.
- 5) * This truss has been designed for a live load of 20.0psf on the bottom chord in all areas where a rectangle 3-06-00 tall by 2-00-00 wide will fit between the bottom chord and any other members.

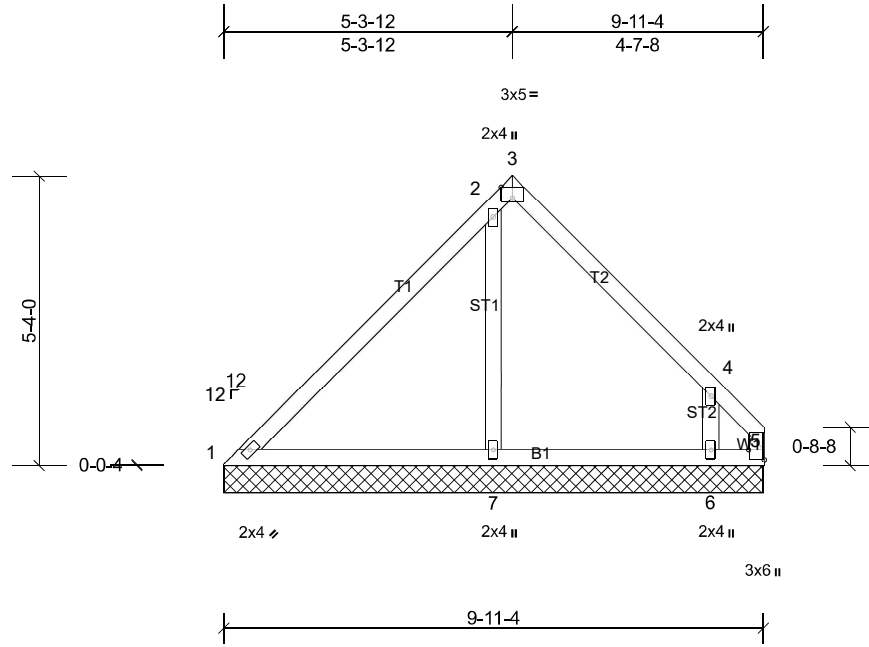
Job 22050129 - Base house	Truss VL9	Truss Type Valley	Qty 1	Ply 1	Job Reference (optional)
------------------------------	--------------	----------------------	----------	----------	--------------------------

Carter Components - Sanford, Sanford, NC, user

Run: 8.53 S Mar 28 2022 Print: 8.530 S Mar 28 2022 MiTek Industries, Inc. Wed May 25 14:19:35

Page: 1

ID: xMC3p_njP0XWwQiHMqsq9NzD8Ok-EWT6mwE3gmcVeOII?LeOmYl2UdStbsdki2eXmizD5fs



Scale = 1:42.4

Plate Offsets (X, Y): [3:0-2-8,Edge], [5:Edge,0-3-8]

Loading	(psf)	Spacing	2-0-0	CSI	DEFL	in	(loc)	I/defl	L/d	PLATES	GRIP	
TCLL (roof)	20.0	Plate Grip DOL	1.15	TC	0.30	Vert(LL)	n/a	-	n/a	999	MT20	244/190
Snow (Pf/Pg)	13.9/20.0	Lumber DOL	1.15	BC	0.22	Vert(TL)	n/a	-	n/a	999		
TCDL	10.0	Rep Stress Incr	YES	WB	0.19	Horiz(TL)	0.00	7	n/a	n/a		
BCLL	0.0*	Code	IRC2018/TPI2014	Matrix-MSH								
BCDL	10.0											
											Weight: 44 lb	FT = 20%

LUMBER
TOP CHORD 2x4 SP No.2
BOT CHORD 2x4 SP No.2
WEBS 2x4 SP No.3
OTHERS 2x4 SP No.3

BRACING
TOP CHORD Structural wood sheathing directly applied or 6-0-0 oc purlins, except end verticals.
BOT CHORD Rigid ceiling directly applied or 6-0-0 oc bracing.

MiTek recommends that Stabilizers and required cross bracing be installed during truss erection, in accordance with Stabilizer Installation guide.

- Gable requires continuous bottom chord bearing.
- * This truss has been designed for a live load of 20.0psf on the bottom chord in all areas where a rectangle 3-06-00 tall by 2-00-00 wide will fit between the bottom chord and any other members.
- Provide mechanical connection (by others) of truss to bearing plate capable of withstanding 100 lb uplift at joint (s) 1 except (jt=lb) 5=181, 7=121, 6=137.
- This truss is designed in accordance with the 2018 International Residential Code sections R502.11.1 and R802.10.2 and referenced standard ANSI/TPI 1.

LOAD CASE(S) Standard

REACTIONS All bearings 9-11-4.
(lb) - Max Horiz 1=96 (LC 10)
Max Uplift All uplift 100 (lb) or less at joint(s) 1 except 5=-182 (LC 30), 6=-138 (LC 14), 7=-121 (LC 13)
Max Grav All reactions 250 (lb) or less at joint (s) 1, 5 except 6=326 (LC 25), 7=597 (LC 24)

FORCES (lb) - Max. Comp./Max. Ten. - All forces 250 (lb) or less except when shown.
TOP CHORD 1-2=-145/265, 4-5=-324/435
WEBS 2-7=-461/224, 4-6=-418/295

- NOTES**
- Unbalanced roof live loads have been considered for this design.
 - Wind: ASCE 7-16; Vult=130mph (3-second gust)
Vasd=103mph; TCDL=6.0psf; BCDL=6.0psf; h=25ft; Cat. II; Exp B; Enclosed; MWFRS (envelope) and C-C Exterior(2E) 0-0-4 to 3-0-4, Interior (1) 3-0-4 to 5-4-0, Exterior(2R) 5-4-0 to 8-4-0, Interior (1) 8-4-0 to 9-9-12 zone; cantilever left and right exposed; end vertical left and right exposed; C-C for members and forces & MWFRS for reactions shown; Lumber DOL=1.60 plate grip DOL=1.33
 - TCLL: ASCE 7-16; Pr=20.0 psf (roof LL: Lum DOL=1.15 Plate DOL=1.15); Pg=20.0 psf; Pf=13.9 psf (Lum DOL=1.15 Plate DOL=1.15); Is=1.0; Rough Cat B; Fully Exp.; Ce=0.9; Cs=1.00; Ct=1.10

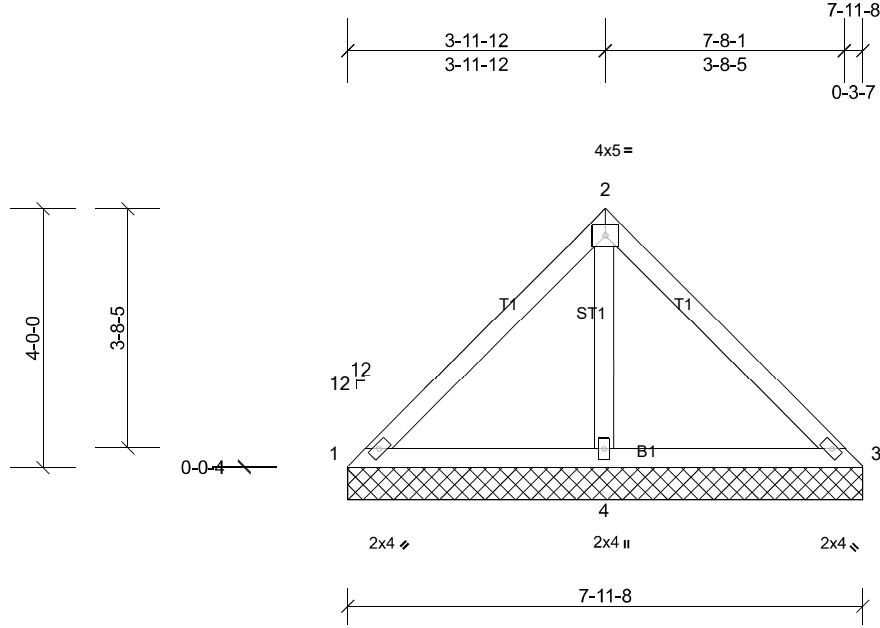
Job 22050129 - Base house	Truss VL10	Truss Type Valley	Qty 1	Ply 1	Job Reference (optional)
------------------------------	---------------	----------------------	----------	----------	--------------------------

Carter Components - Sanford, Sanford, NC, user

Run: 8.53 S Mar 28 2022 Print: 8.530 S Mar 28 2022 MiTek Industries, Inc. Wed May 25 14:19:35

Page: 1

ID:WnXxBzlr659x3yzihl7YkzD8On-EWT6mwE3gmcVeOII?LeOmYI3ldS1bsEkl2eXmizD5fs



Scale = 1:35.6

Loading	(psf)	Spacing	2-0-0	CSI	DEFL	in	(loc)	l/defl	L/d	PLATES	GRIP	
TCLL (roof)	20.0	Plate Grip DOL	1.15	TC	0.22	Vert(LL)	n/a	-	n/a	999	MT20	244/190
Snow (Pf/Pg)	13.9/20.0	Lumber DOL	1.15	BC	0.21	Vert(TL)	n/a	-	n/a	999		
TCDL	10.0	Rep Stress Incr	YES	WB	0.15	Horiz(TL)	0.00	3	n/a	n/a		
BCLL	0.0*	Code	IRC2018/TPI2014	Matrix-MP								
BCDL	10.0										Weight: 32 lb	FT = 20%

LUMBER
 TOP CHORD 2x4 SP No.2
 BOT CHORD 2x4 SP No.2
 OTHERS 2x4 SP No.3

BRACING
 TOP CHORD Structural wood sheathing directly applied or 7-11-8 oc purlins.
 BOT CHORD Rigid ceiling directly applied or 6-0-0 oc bracing.

MiTek recommends that Stabilizers and required cross bracing be installed during truss erection, in accordance with Stabilizer Installation guide.

- * This truss has been designed for a live load of 20.0psf on the bottom chord in all areas where a rectangle 3-06-00 tall by 2-00-00 wide will fit between the bottom chord and any other members.
- Provide mechanical connection (by others) of truss to bearing plate capable of withstanding 100 lb uplift at joint (s) 1, 3, 3.
- This truss is designed in accordance with the 2018 International Residential Code sections R502.11.1 and R802.10.2 and referenced standard ANSI/TPI 1.

LOAD CASE(S) Standard

REACTIONS All bearings 7-11-8.
 (lb) - Max Horiz 1=-71 (LC 9)
 Max Uplift All uplift 100 (lb) or less at joint(s) 1, 3, 9
 Max Grav All reactions 250 (lb) or less at joint (s) 1, 3, 9 except 4=641 (LC 2)

FORCES (lb) - Max. Comp./Max. Ten. - All forces 250 (lb) or less except when shown.

TOP CHORD 1-2=-52/274, 2-3=-27/278
 WEBS 2-4=-493/84

- NOTES**
- Unbalanced roof live loads have been considered for this design.
 - Wind: ASCE 7-16; Vult=130mph (3-second gust) Vasd=103mph; TCDL=6.0psf; BCDL=6.0psf; h=25ft; Cat. II; Exp B; Enclosed; MWFRS (envelope) and C-C Exterior(2E) 0-0-4 to 3-0-4, Interior (1) 3-0-4 to 4-0-0, Exterior(2R) 4-0-0 to 7-3-9, Interior (1) 7-3-9 to 7-11-12 zone; cantilever left and right exposed; end vertical left and right exposed; C-C for members and forces & MWFRS for reactions shown; Lumber DOL=1.60 plate grip DOL=1.33
 - TCLL: ASCE 7-16; Pr=20.0 psf (roof LL: Lum DOL=1.15 Plate DOL=1.15); Pg=20.0 psf; Pf=13.9 psf (Lum DOL=1.15 Plate DOL=1.15); Is=1.0; Rough Cat B; Fully Exp.; Ce=0.9; Cs=1.00; Ct=1.10
 - Gable requires continuous bottom chord bearing.

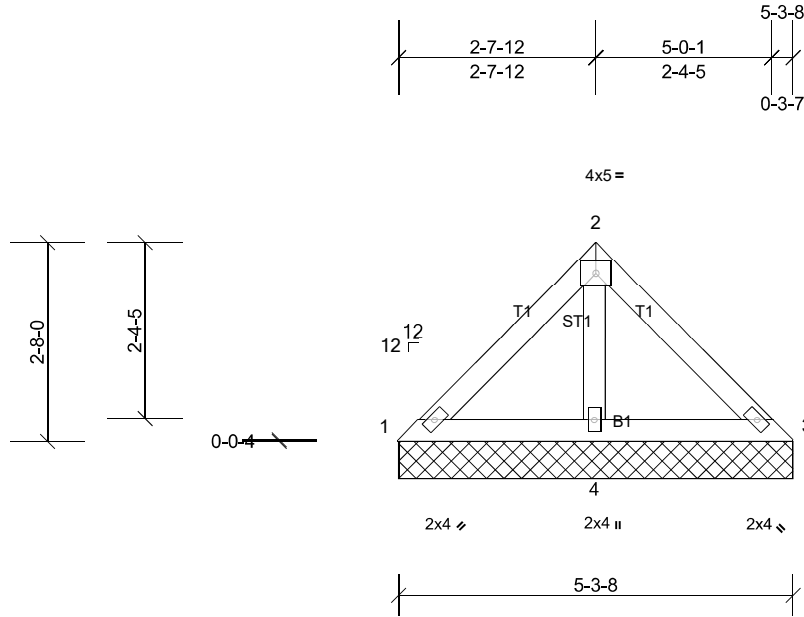
Job 22050129 - Base house	Truss VL11	Truss Type Valley	Qty 1	Ply 1	Job Reference (optional)
------------------------------	---------------	----------------------	----------	----------	--------------------------

Carter Components - Sanford, Sanford, NC, user

Run: 8.53 S Mar 28 2022 Print: 8.530 S Mar 28 2022 MiTek Industries, Inc. Wed May 25 14:19:35

Page: 1

ID:WnXxBzlr659x3yzihil7YkzD8On-EWT6mwE3gmcVeOII?LeOmYl5mdURbuokl2eXmizD5fs



Scale = 1:30.9

Loading	(psf)	Spacing	2-0-0	CSI	DEFL	in	(loc)	I/defl	L/d	PLATES	GRIP	
TCLL (roof)	20.0	Plate Grip DOL	1.15	TC	0.09	Vert(LL)	n/a	-	n/a	999	MT20	244/190
Snow (Pf/Pg)	13.9/20.0	Lumber DOL	1.15	BC	0.12	Vert(TL)	n/a	-	n/a	999		
TCDL	10.0	Rep Stress Incr Code	YES	WB	0.05	Horiz(TL)	0.00	3	n/a	n/a		
BCLL	0.0*	IRC2018/TPI2014		Matrix-MP								
BCDL	10.0											
										Weight: 21 lb	FT = 20%	

LUMBER

TOP CHORD 2x4 SP No.2
 BOT CHORD 2x4 SP No.2
 OTHERS 2x4 SP No.3

BRACING

TOP CHORD Structural wood sheathing directly applied or 5-3-8 oc purlins.
 BOT CHORD Rigid ceiling directly applied or 6-0-0 oc bracing.

MiTek recommends that Stabilizers and required cross bracing be installed during truss erection, in accordance with Stabilizer Installation guide.

- 6) Provide mechanical connection (by others) of truss to bearing plate capable of withstanding 10 lb uplift at joint 4.
- 7) This truss is designed in accordance with the 2018 International Residential Code sections R502.11.1 and R802.10.2 and referenced standard ANSI/TPI 1.

LOAD CASE(S) Standard

REACTIONS (lb/size) 1=43/5-3-8, (min. 0-1-8),
 3=45/5-3-8, (min. 0-1-8),
 4=271/5-3-8, (min. 0-1-8)
 Max Horiz 1=-46 (LC 9)
 Max Uplift 4=-10 (LC 13)
 Max Grav 1=64 (LC 30), 3=66 (LC 31), 4=319 (LC 2)

FORCES (lb) - Max. Comp./Max. Ten. - All forces 250 (lb) or less except when shown.

NOTES

- 1) Unbalanced roof live loads have been considered for this design.
- 2) Wind: ASCE 7-16; Vult=130mph (3-second gust) Vasd=103mph; TCDL=6.0psf; BCDL=6.0psf; h=25ft; Cat. II; Exp B; Enclosed; MWFRS (envelope) and C-C Exterior(2E) zone; cantilever left and right exposed ; end vertical left and right exposed;C-C for members and forces & MWFRS for reactions shown; Lumber DOL=1.60 plate grip DOL=1.33
- 3) TCLL: ASCE 7-16; Pr=20.0 psf (roof LL: Lum DOL=1.15 Plate DOL=1.15); Pg=20.0 psf; Pf=13.9 psf (Lum DOL=1.15 Plate DOL=1.15); Is=1.0; Rough Cat B; Fully Exp.; Ce=0.9; Cs=1.00; Ct=1.10
- 4) Gable requires continuous bottom chord bearing.
- 5) * This truss has been designed for a live load of 20.0psf on the bottom chord in all areas where a rectangle 3-06-00 tall by 2-00-00 wide will fit between the bottom chord and any other members.

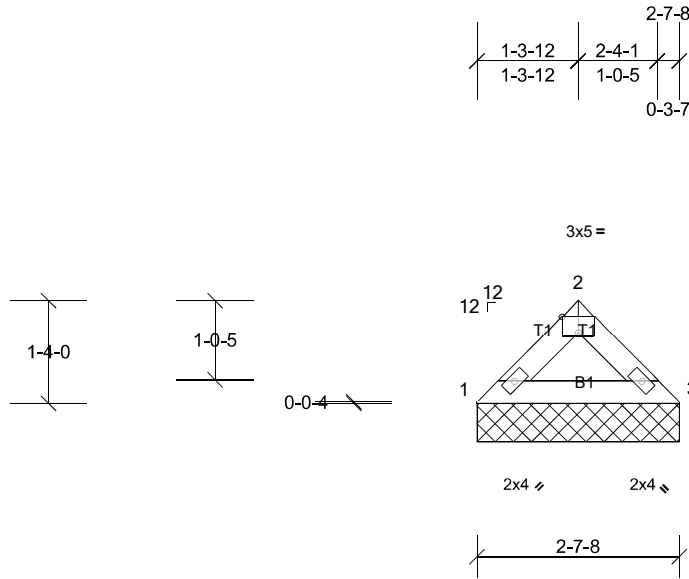
Job 22050129 - Base house	Truss VL12	Truss Type Valley	Qty 1	Ply 1	Job Reference (optional)
------------------------------	---------------	----------------------	----------	----------	--------------------------

Carter Components - Sanford, Sanford, NC, user

Run: 8.53 S Mar 28 2022 Print: 8.530 S Mar 28 2022 MiTek Industries, Inc. Wed May 25 14:19:36

Page: 1

ID:WnXxBzlr659x3yzihil7YkzD8On-ii1U_GfIR3kMFYtUZ39dJlrH81rwKLqtziN5J8zD5fr



Scale = 1:29.9

Plate Offsets (X, Y): [2:0-2-8,Edge]

Loading	(psf)	Spacing	2-0-0	CSI	DEFL	in	(loc)	l/defl	L/d	PLATES	GRIP	
TCLL (roof)	20.0	Plate Grip DOL	1.15	TC	0.05	Vert(LL)	n/a	-	n/a	999	MT20	244/190
Snow (Pf/Pg)	13.9/20.0	Lumber DOL	1.15	BC	0.04	Vert(TL)	n/a	-	n/a	999		
TCDL	10.0	Rep Stress Incr	YES	WB	0.00	Horiz(TL)	0.00	3	n/a	n/a		
BCLL	0.0*	Code	IRC2018/TPI2014	Matrix-MP								
BCDL	10.0										Weight: 8 lb	FT = 20%

LUMBER

TOP CHORD 2x4 SP No.2
BOT CHORD 2x4 SP No.2

BRACING

TOP CHORD Structural wood sheathing directly applied or 2-7-8 oc purlins.
BOT CHORD Rigid ceiling directly applied or 10-0-0 oc bracing.

MiTek recommends that Stabilizers and required cross bracing be installed during truss erection, in accordance with Stabilizer Installation guide.

REACTIONS (lb/size) 1=89/2-7-8, (min. 0-1-8),
3=89/2-7-8, (min. 0-1-8)
Max Horiz 1=21 (LC 12)
Max Grav 1=105 (LC 2), 3=105 (LC 2)

FORCES (lb) - Max. Comp./Max. Ten. - All forces 250 (lb) or less except when shown.

NOTES

- Unbalanced roof live loads have been considered for this design.
- Wind: ASCE 7-16; Vult=130mph (3-second gust) Vasd=103mph; TCDL=6.0psf; BCDL=6.0psf; h=25ft; Cat. II; Exp B; Enclosed; MWFRS (envelope) and C-C Exterior(2E) zone; cantilever left and right exposed; end vertical left and right exposed; C-C for members and forces & MWFRS for reactions shown; Lumber DOL=1.60 plate grip DOL=1.33
- TCLL: ASCE 7-16; Pr=20.0 psf (roof LL: Lum DOL=1.15 Plate DOL=1.15); Pg=20.0 psf; Pf=13.9 psf (Lum DOL=1.15 Plate DOL=1.15); Is=1.0; Rough Cat B; Fully Exp.; Ce=0.9; Cs=1.00; Ct=1.10
- Gable requires continuous bottom chord bearing.
- * This truss has been designed for a live load of 20.0psf on the bottom chord in all areas where a rectangle 3-06-00 tall by 2-00-00 wide will fit between the bottom chord and any other members.
- This truss is designed in accordance with the 2018 International Residential Code sections R502.11.1 and R802.10.2 and referenced standard ANSI/TPI 1.

LOAD CASE(S) Standard

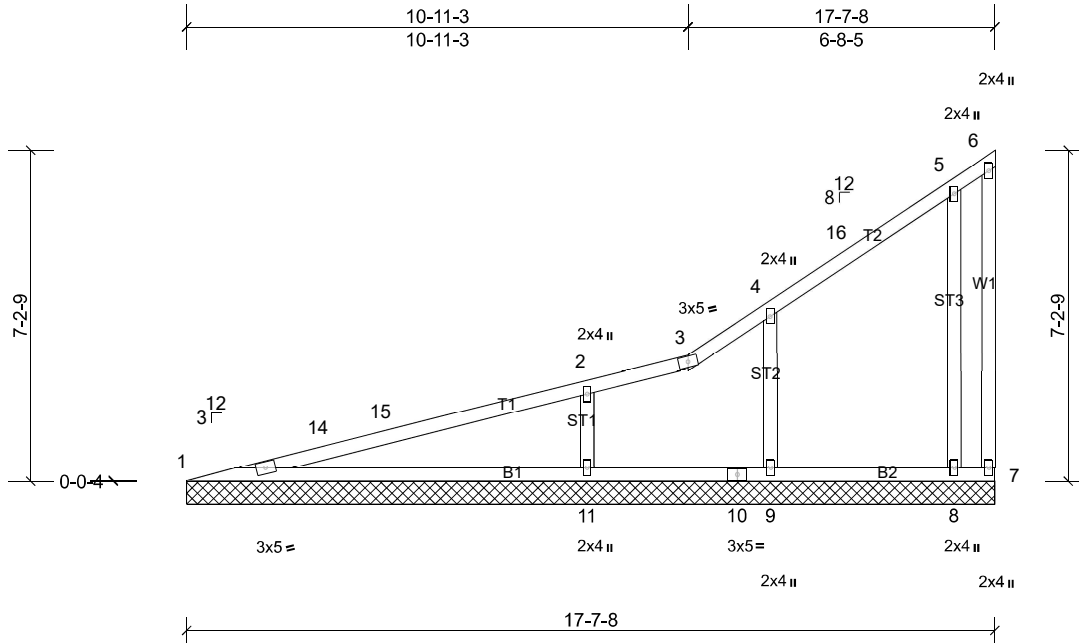
Job 22050129 - Base house	Truss VL14	Truss Type Valley	Qty 1	Ply 1	Job Reference (optional)
------------------------------	---------------	----------------------	----------	----------	--------------------------

Carter Components - Sanford, Sanford, NC, user

Run: 8.53 S Mar 28 2022 Print: 8.530 S Mar 28 2022 MiTek Industries, Inc. Wed May 25 14:19:36

Page: 1

ID:WnXxBzlr659x3yzihl7YkzD8On-ii1U_GFIR3kMFYtUZ39dJlr631e5KIPItziN5J8zD5fr



Scale = 1:50.2

Loading	(psf)	Spacing	2-0-0	CSI	DEFL	in	(loc)	l/defl	L/d	PLATES	GRIP	
TCLL (roof)	20.0	Plate Grip DOL	1.15	TC	0.76	Vert(LL)	n/a	-	n/a	999	MT20	244/190
Snow (Pf/Pg)	13.9/20.0	Lumber DOL	1.15	BC	0.86	Vert(TL)	n/a	-	n/a	999		
TCDL	10.0	Rep Stress Incr	YES	WB	0.22	Horiz(TL)	0.02	7	n/a	n/a		
BCLL	0.0*	Code	IRC2018/TPI2014	Matrix-MSH								
BCDL	10.0										Weight: 80 lb	FT = 20%

LUMBER
TOP CHORD 2x4 SP No.2
BOT CHORD 2x4 SP No.2
WEBS 2x4 SP No.3
OTHERS 2x4 SP No.3

BRACING
TOP CHORD Structural wood sheathing directly applied or 6-0-0 oc purlins, except end verticals.
BOT CHORD Rigid ceiling directly applied or 6-0-0 oc bracing.

MiTek recommends that Stabilizers and required cross bracing be installed during truss erection, in accordance with Stabilizer Installation guide.

- 4) All plates are 2x4 MT20 unless otherwise indicated.
- 5) Gable requires continuous bottom chord bearing.
- 6) * This truss has been designed for a live load of 20.0psf on the bottom chord in all areas where a rectangle 3-06-00 tall by 2-00-00 wide will fit between the bottom chord and any other members, with BCDL = 10.0psf.
- 7) Provide mechanical connection (by others) of truss to bearing plate capable of withstanding 100 lb uplift at joint (s) 1, 11, 9, 8 except (jt=lb) 7=218.
- 8) This truss is designed in accordance with the 2018 International Residential Code sections R502.11.1 and R802.10.2 and referenced standard ANSI/TPI 1.

LOAD CASE(S) Standard

REACTIONS All bearings 17-7-8.
(lb) - Max Horiz 1=201 (LC 12)
Max Uplift All uplift 100 (lb) or less at joint(s) 1, 8, 9, 11 except 7=219 (LC 29)
Max Grav All reactions 250 (lb) or less at joint (s) 7, 9 except 1=285 (LC 2), 8=530 (LC 28), 11=766 (LC 5)

FORCES (lb) - Max. Comp./Max. Ten. - All forces 250 (lb) or less except when shown.
TOP CHORD 1-14=-860/158, 14-15=-291/164, 2-15=-288/186, 2-3=-252/133
BOT CHORD 1-11=-232/813
WEBS 2-11=-493/152, 5-8=-291/278

- NOTES**
- 1) Wind: ASCE 7-16; Vult=130mph (3-second gust) Vasd=103mph; TCDL=6.0psf; BCDL=6.0psf; h=25ft; Cat. II; Exp B; Enclosed; MWFRS (envelope) and C-C Exterior(2E) 0-1-0 to 3-1-0, Interior (1) 3-1-0 to 17-6-12 zone; cantilever left and right exposed; end vertical left and right exposed; C-C for members and forces & MWFRS for reactions shown; Lumber DOL=1.60 plate grip DOL=1.33
 - 2) TCLL: ASCE 7-16; Pr=20.0 psf (roof LL: Lum DOL=1.15 Plate DOL=1.15); Pg=20.0 psf; Pf=13.9 psf (Lum DOL=1.15 Plate DOL=1.15); Is=1.0; Rough Cat B; Fully Exp.; Ce=0.9; Cs=1.00; Ct=1.10; Min. flat roof snow load governs.
 - 3) Unbalanced snow loads have been considered for this design.

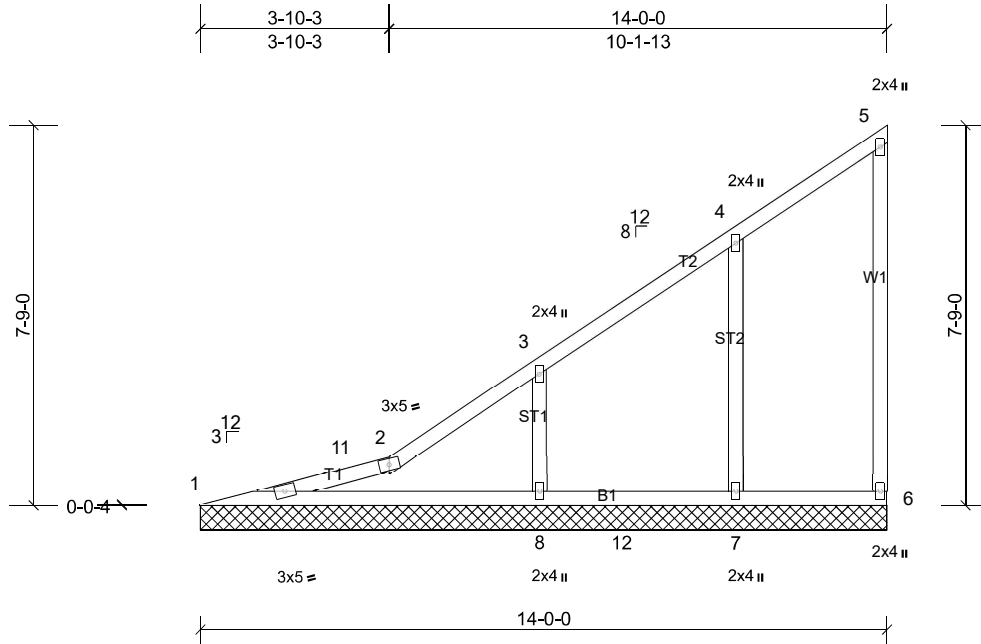
Job 22050129 - Base house	Truss VL15	Truss Type Valley	Qty 1	Ply 1	Job Reference (optional)
------------------------------	---------------	----------------------	----------	----------	--------------------------

Carter Components - Sanford, Sanford, NC, user

Run: 8.53 S Mar 28 2022 Print: 8.530 S Mar 28 2022 MiTek Industries, Inc. Wed May 25 14:19:36

Page: 1

ID:WnXxBzlr659x3yzihil7YkzD8On-iiU_GFIR3kMFYtUZ39dJlr8t1irKK7tziN5J8zD5fr



Scale = 1:47

Loading	(psf)	Spacing	2-0-0	CSI	DEFL	in	(loc)	l/defl	L/d	PLATES	GRIP	
TCLL (roof)	20.0	Plate Grip DOL	1.15	TC	0.58	Vert(LL)	n/a	-	n/a	999	MT20	244/190
Snow (Pf/Pg)	13.9/20.0	Lumber DOL	1.15	BC	0.62	Vert(TL)	n/a	-	n/a	999		
TCDL	10.0	Rep Stress Incr	YES	WB	0.11	Horiz(TL)	0.01	6	n/a	n/a		
BCLL	0.0*	Code	IRC2018/TPI2014	Matrix-MSH								
BCDL	10.0											
										Weight: 65 lb	FT = 20%	

LUMBER
TOP CHORD 2x4 SP No.2
BOT CHORD 2x4 SP No.2
WEBS 2x4 SP No.3
OTHERS 2x4 SP No.3

BRACING
TOP CHORD Structural wood sheathing directly applied or 6'-0-0 oc purlins, except end verticals.
BOT CHORD Rigid ceiling directly applied or 6'-0-0 oc bracing.

MiTek recommends that Stabilizers and required cross bracing be installed during truss erection, in accordance with Stabilizer Installation guide.

- 4) Gable requires continuous bottom chord bearing.
- 5) * This truss has been designed for a live load of 20.0psf on the bottom chord in all areas where a rectangle 3'-06-00 tall by 2'-00-00 wide will fit between the bottom chord and any other members, with BCDL = 10.0psf.
- 6) Provide mechanical connection (by others) of truss to bearing plate capable of withstanding 100 lb uplift at joint (s) 6, 1, 8, 7.
- 7) This truss is designed in accordance with the 2018 International Residential Code sections R502.11.1 and R802.10.2 and referenced standard ANSI/TPI 1.

LOAD CASE(S) Standard

REACTIONS All bearings 14'-0-0.
(lb) - Max Horiz 1=216 (LC 12)
Max Uplift All uplift 100 (lb) or less at joint(s) 1, 6, 7, 8
Max Grav All reactions 250 (lb) or less at joint (s) 1, 6 except 7=341 (LC 28), 8=612 (LC 28)

FORCES (lb) - Max. Comp./Max. Ten. - All forces 250 (lb) or less except when shown.
TOP CHORD 1-11=-684/203, 2-11=-366/209, 2-3=-364/250, 3-4=-278/179
BOT CHORD 1-8=-113/619
WEBS 3-8=-361/185

- NOTES**
- 1) Wind: ASCE 7-16; Vult=130mph (3-second gust) Vasd=103mph; TCDL=6.0psf; BCDL=6.0psf; h=25ft; Cat. II; Exp B; Enclosed; MWFRS (envelope) and C-C Exterior(2E) 0-1-0 to 3-1-0, Interior (1) 3-1-0 to 13-11-4 zone; cantilever left and right exposed ; end vertical left and right exposed;C-C for members and forces & MWFRS for reactions shown; Lumber DOL=1.60 plate grip DOL=1.33
 - 2) TCLL: ASCE 7-16; Pr=20.0 psf (roof LL: Lum DOL=1.15 Plate DOL=1.15); Pg=20.0 psf; Pf=13.9 psf (Lum DOL=1.15 Plate DOL=1.15); Is=1.0; Rough Cat B; Fully Exp.; Ce=0.9; Cs=1.00; Ct=1.10; Min. flat roof snow load governs.
 - 3) Unbalanced snow loads have been considered for this design.

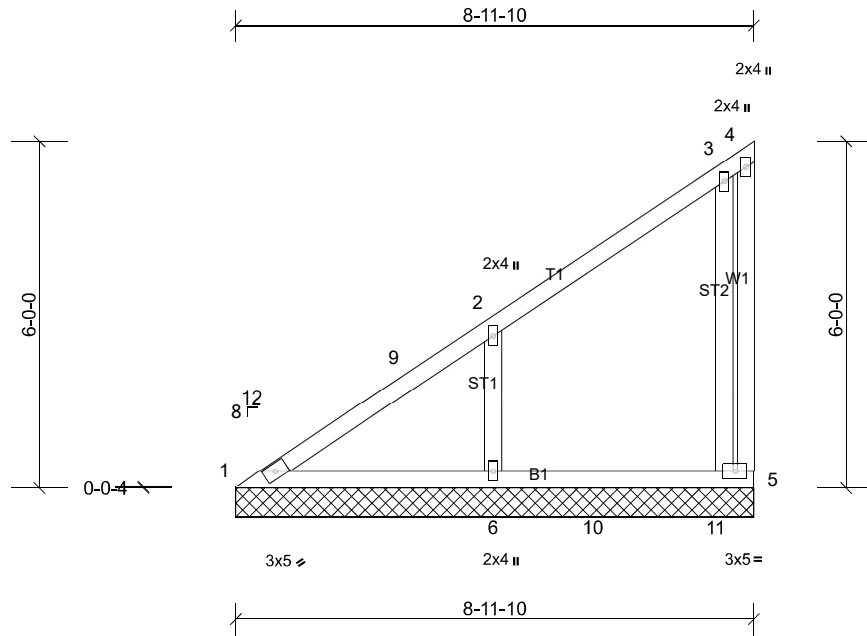
Job 22050129 - Base house	Truss VL16	Truss Type Valley	Qty 2	Ply 1	Job Reference (optional)
------------------------------	---------------	----------------------	----------	----------	--------------------------

Carter Components - Sanford, Sanford, NC, user

Run: 8.53 S Mar 28 2022 Print: 8.530 S Mar 28 2022 MiTek Industries, Inc. Wed May 25 14:19:36

Page: 1

ID:WnXxBzlr659x3yzihil7YkzD8On-ii1U_GFIR3kMFYIUZ39dJlr9p1oxKKztziN5J8zD5fr



Scale = 1:39.9

Loading	(psf)	Spacing	2-0-0	CSI	DEFL	in	(loc)	l/defl	L/d	PLATES	GRIP	
TCLL (roof)	20.0	Plate Grip DOL	1.15	TC	0.52	Vert(LL)	n/a	-	n/a	999	MT20	244/190
Snow (Pf/Pg)	13.9/20.0	Lumber DOL	1.15	BC	0.23	Vert(TL)	n/a	-	n/a	999		
TCDL	10.0	Rep Stress Incr	YES	WB	0.12	Horiz(TL)	0.00	5	n/a	n/a		
BCLL	0.0*	Code	IRC2018/TPI2014	Matrix-MP								
BCDL	10.0											
											Weight: 48 lb	FT = 20%

LUMBER
TOP CHORD 2x4 SP No.2
BOT CHORD 2x4 SP No.2
WEBS 2x4 SP No.3
OTHERS 2x4 SP No.3

BRACING
TOP CHORD Structural wood sheathing directly applied or 6-0-0 oc purlins, except end verticals.
BOT CHORD Rigid ceiling directly applied or 10-0-0 oc bracing.

MiTek recommends that Stabilizers and required cross bracing be installed during truss erection, in accordance with Stabilizer Installation guide.

- 5) Provide mechanical connection (by others) of truss to bearing plate capable of withstanding 29 lb uplift at joint 5 and 51 lb uplift at joint 6.
- 6) This truss is designed in accordance with the 2018 International Residential Code sections R502.11.1 and R802.10.2 and referenced standard ANSI/TPI 1.

LOAD CASE(S) Standard

REACTIONS (lb/size)
1=124/8-11-10, (min. 0-1-8),
5=121/8-11-10, (min. 0-1-8),
6=352/8-11-10, (min. 0-1-8)
Max Horiz 1=165 (LC 10)
Max Uplift 5=-29 (LC 10), 6=-51 (LC 13)
Max Grav 1=174 (LC 25), 5=199 (LC 24),
6=521 (LC 24)

FORCES (lb) - Max. Comp./Max. Ten. - All forces 250 (lb) or less except when shown.

TOP CHORD 1-9=-282/176, 2-9=-261/202
WEBS 2-6=-294/197

NOTES

- 1) Wind: ASCE 7-16; Vult=130mph (3-second gust)
Vasd=103mph; TCDL=6.0psf; BCDL=6.0psf; h=25ft; Cat. II; Exp B; Enclosed; MWFRS (envelope) and C-C Exterior(2E) 0-0-6 to 3-0-6, Interior (1) 3-0-6 to 8-10-4 zone; cantilever left and right exposed; end vertical left and right exposed; C-C for members and forces & MWFRS for reactions shown; Lumber DOL=1.60 plate grip DOL=1.33
- 2) TCLL: ASCE 7-16; Pr=20.0 psf (roof LL: Lum DOL=1.15 Plate DOL=1.15); Pg=20.0 psf; Pf=13.9 psf (Lum DOL=1.15 Plate DOL=1.15); Is=1.0; Rough Cat B; Fully Exp.; Ce=0.9; Cs=1.00; Ct=1.10
- 3) Gable requires continuous bottom chord bearing.
- 4) * This truss has been designed for a live load of 20.0psf on the bottom chord in all areas where a rectangle 3-06-00 tall by 2-00-00 wide will fit between the bottom chord and any other members, with BCDL = 10.0psf.

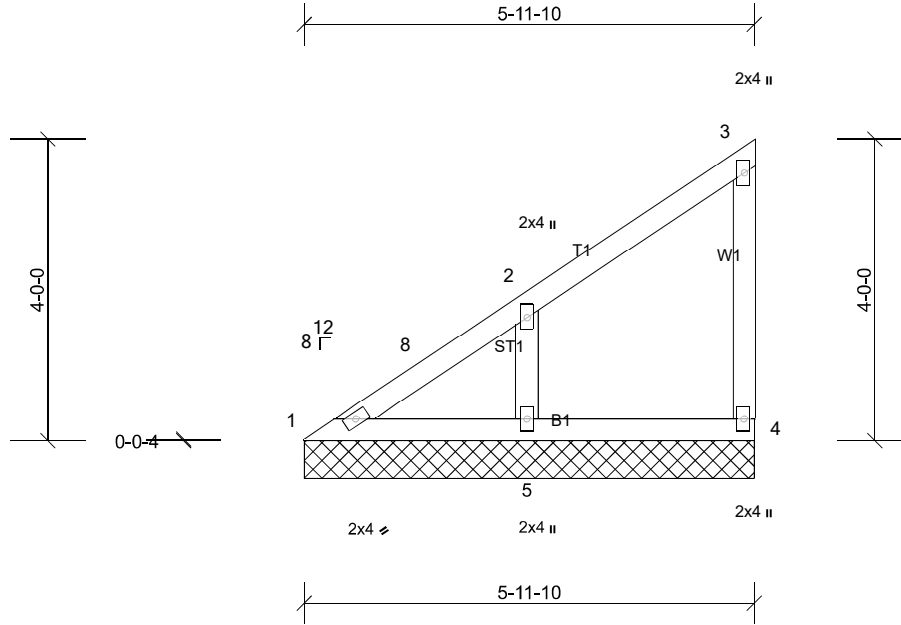
Job 22050129 - Base house	Truss VL17	Truss Type Valley	Qty 2	Ply 1	Job Reference (optional)
------------------------------	---------------	----------------------	----------	----------	--------------------------

Carter Components - Sanford, Sanford, NC, user

Run: 8.53 S Mar 28 2022 Print: 8.530 S Mar 28 2022 MiTek Industries, Inc. Wed May 25 14:19:36

Page: 1

ID: z4JOJmTtPHoh6YvFPpM4yzD8Om-ii1U_GFIR3kMFYtUZ39dJlrEo1qRKLvtziN5J8zD5fr



Loading	(psf)	Spacing	2-0-0	CSI	DEFL	in	(loc)	l/defl	L/d	PLATES	GRIP	
TCLL (roof)	20.0	Plate Grip DOL	1.15	TC	0.20	Vert(LL)	n/a	-	n/a	999	MT20	244/190
Snow (Pf/Pg)	13.9/20.0	Lumber DOL	1.15	BC	0.07	Vert(TL)	n/a	-	n/a	999		
TCDL	10.0	Rep Stress Incr	YES	WB	0.06	Horiz(TL)	0.00	4	n/a	n/a		
BCLL	0.0*	Code	IRC2018/TPI2014	Matrix-MP								
BCDL	10.0											
											Weight: 26 lb	FT = 20%

LUMBER
TOP CHORD 2x4 SP No.2
BOT CHORD 2x4 SP No.2
WEBS 2x4 SP No.3
OTHERS 2x4 SP No.3

6) This truss is designed in accordance with the 2018 International Residential Code sections R502.11.1 and R802.10.2 and referenced standard ANSI/TPI 1.

LOAD CASE(S) Standard

BRACING
TOP CHORD Structural wood sheathing directly applied or 5-11-10 oc purlins, except end verticals.
BOT CHORD Rigid ceiling directly applied or 10-0-0 oc bracing.

MiTek recommends that Stabilizers and required cross bracing be installed during truss erection, in accordance with Stabilizer Installation guide.

REACTIONS (lb/size) 1=76/5-11-10, (min. 0-1-8),
4=73/5-11-10, (min. 0-1-8),
5=245/5-11-10, (min. 0-1-8)
Max Horiz 1=107 (LC 10)
Max Uplift 4=-16 (LC 10), 5=-39 (LC 13)
Max Grav 1=102 (LC 25), 4=94 (LC 24),
5=296 (LC 24)

FORCES (lb) - Max. Comp./Max. Ten. - All forces 250 (lb) or less except when shown.

NOTES

- 1) Wind: ASCE 7-16; Vult=130mph (3-second gust) Vasd=103mph; TCDL=6.0psf; BCDL=6.0psf; h=25ft; Cat. II; Exp B; Enclosed; MWFRS (envelope) and C-C Exterior(2E) 0-0-6 to 2-11-13, Interior (1) 2-11-13 to 5-10-4 zone; cantilever left and right exposed; end vertical left and right exposed; C-C for members and forces & MWFRS for reactions shown; Lumber DOL=1.60 plate grip DOL=1.33
- 2) TCLL: ASCE 7-16; Pr=20.0 psf (roof LL: Lum DOL=1.15 Plate DOL=1.15); Pg=20.0 psf; Pf=13.9 psf (Lum DOL=1.15 Plate DOL=1.15); Is=1.0; Rough Cat B; Fully Exp.; Ce=0.9; Cs=1.00; Ct=1.10
- 3) Gable requires continuous bottom chord bearing.
- 4) * This truss has been designed for a live load of 20.0psf on the bottom chord in all areas where a rectangle 3-06-00 tall by 2-00-00 wide will fit between the bottom chord and any other members.
- 5) Provide mechanical connection (by others) of truss to bearing plate capable of withstanding 16 lb uplift at joint 4 and 39 lb uplift at joint 5.

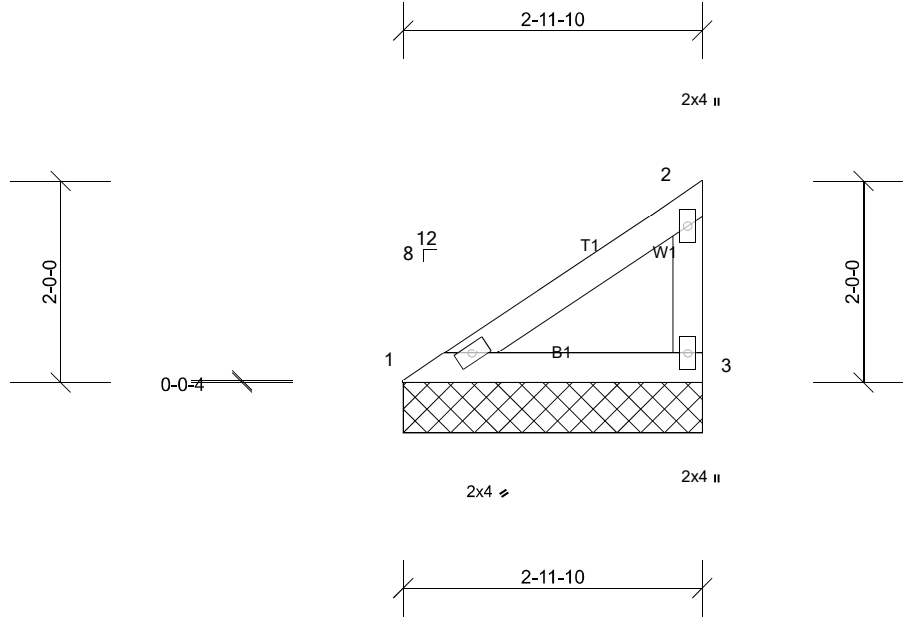
Job 22050129 - Base house	Truss VL18	Truss Type Valley	Qty 2	Ply 1	Job Reference (optional)
------------------------------	---------------	----------------------	----------	----------	--------------------------

Carter Components - Sanford, Sanford, NC, user

Run: 8.53 S Mar 28 2022 Print: 8.530 S Mar 28 2022 MiTek Industries, Inc. Wed May 25 14:19:36

Page: 1

ID: z4JOJmTtPHoh6YvFPpM4yzD8Om-ii1U_GFIR3kMFYtUz39dJlrGW1qqKLQtziN5J8zD5fr



Scale = 1:22.9

Loading	(psf)	Spacing	2-0-0	CSI	DEFL	in	(loc)	I/defl	L/d	PLATES	GRIP	
TCLL (roof)	20.0	Plate Grip DOL	1.15	TC	0.09	Vert(LL)	n/a	-	n/a	999	MT20	244/190
Snow (Pf/Pg)	13.9/20.0	Lumber DOL	1.15	BC	0.11	Vert(TL)	n/a	-	n/a	999		
TCDL	10.0	Rep Stress Incr	YES	WB	0.00	Horiz(TL)	0.00	3	n/a	n/a		
BCLL	0.0*	Code	IRC2018/TPI2014	Matrix-MP								
BCDL	10.0											
											Weight: 11 lb	FT = 20%

LUMBER

TOP CHORD 2x4 SP No.2
 BOT CHORD 2x4 SP No.2
 WEBS 2x4 SP No.3

BRACING

TOP CHORD Structural wood sheathing directly applied or 2-11-10 oc purlins, except end verticals.
 BOT CHORD Rigid ceiling directly applied or 10-0-0 oc bracing.

MiTek recommends that Stabilizers and required cross bracing be installed during truss erection, in accordance with Stabilizer Installation guide.

REACTIONS (lb/size) 1=96/2-11-10, (min. 0-1-8),
 3=96/2-11-10, (min. 0-1-8)
 Max Horiz 1=49 (LC 10)
 Max Uplift 3=-8 (LC 13)
 Max Grav 1=113 (LC 2), 3=118 (LC 24)

FORCES (lb) - Max. Comp./Max. Ten. - All forces 250 (lb) or less except when shown.

NOTES

- 1) Wind: ASCE 7-16; Vult=130mph (3-second gust)
 Vasd=103mph; TCDL=6.0psf; BCDL=6.0psf; h=25ft; Cat. II; Exp B; Enclosed; MWFRS (envelope) and C-C Exterior(2E) zone; cantilever left and right exposed; end vertical left and right exposed; C-C for members and forces & MWFRS for reactions shown; Lumber DOL=1.60 plate grip DOL=1.33
- 2) TCLL: ASCE 7-16; Pr=20.0 psf (roof LL: Lum DOL=1.15 Plate DOL=1.15); Pg=20.0 psf; Pf=13.9 psf (Lum DOL=1.15 Plate DOL=1.15); Is=1.0; Rough Cat B; Fully Exp.; Ce=0.9; Cs=1.00; Ct=1.10
- 3) Gable requires continuous bottom chord bearing.
- 4) * This truss has been designed for a live load of 20.0psf on the bottom chord in all areas where a rectangle 3-06-00 tall by 2-00-00 wide will fit between the bottom chord and any other members.
- 5) Provide mechanical connection (by others) of truss to bearing plate capable of withstanding 8 lb uplift at joint 3.
- 6) This truss is designed in accordance with the 2018 International Residential Code sections R502.11.1 and R802.10.2 and referenced standard ANSI/TPI 1.

LOAD CASE(S) Standard

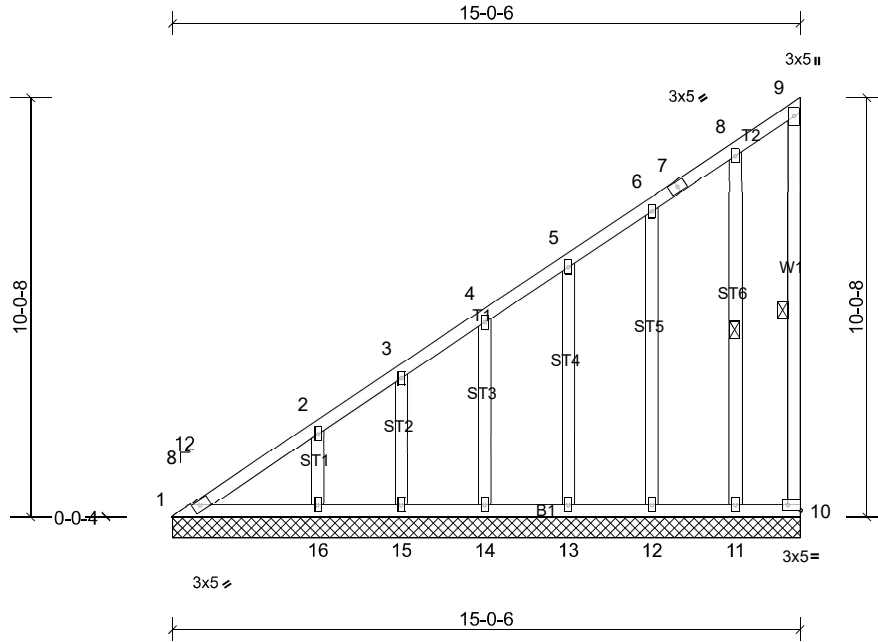
Job 22050129 - Base house	Truss VL19	Truss Type Valley	Qty 1	Ply 1	Job Reference (optional)
------------------------------	---------------	----------------------	----------	----------	--------------------------

Carter Components - Sanford, Sanford, NC, user

Run: 8.53 S Mar 28 2022 Print: 8.530 S Mar 28 2022 MiTek Industries, Inc. Wed May 25 14:19:36

Page: 1

ID: _z4JOJmTtPHoh6YVFPpM4yzD8Om-ii1U_GFIR3kMFYtUZ39dJlr3F1nJKJptziN5J8zD5fr



Scale = 1:55.2

Plate Offsets (X, Y): [10:Edge,0-1-8]

Loading	(psf)	Spacing	2-0-0	CSI	DEFL	in	(loc)	l/defl	L/d	PLATES	GRIP	
TCLL (roof)	20.0	Plate Grip DOL	1.15	TC	0.94	Vert(LL)	n/a	-	n/a	999	MT20	244/190
Snow (Pf/Pg)	13.9/20.0	Lumber DOL	1.15	BC	0.27	Vert(TL)	n/a	-	n/a	999		
TCDL	10.0	Rep Stress Incr	YES	WB	0.13	Horiz(TL)	0.00	10	n/a	n/a		
BCLL	0.0*	Code	IRC2018/TPI2014	Matrix-MSH								
BCDL	10.0											
											Weight: 108 lb	FT = 20%

LUMBER
TOP CHORD 2x4 SP No.2
BOT CHORD 2x4 SP No.2
WEBS 2x4 SP No.3
OTHERS 2x4 SP No.3

BRACING
TOP CHORD Structural wood sheathing directly applied or 6'-0" oc purlins, except end verticals.
BOT CHORD Rigid ceiling directly applied or 10'-0" oc bracing.
WEBS 1 Row at midpt 9-10, 8-11

MiTek recommends that Stabilizers and required cross bracing be installed during truss erection, in accordance with Stabilizer Installation guide.

REACTIONS All bearings 15-0-6.
(lb) - Max Horiz 1=282 (LC 10)
Max Uplift All uplift 100 (lb) or less at joint(s) 1, 10, 11, 12, 13, 14, 15, 16
Max Grav All reactions 250 (lb) or less at joint (s) 1, 10, 11, 12, 13, 14, 15 except 16=284 (LC 24)

FORCES (lb) - Max. Comp./Max. Ten. - All forces 250 (lb) or less except when shown.
TOP CHORD 1-2=-448/371, 2-3=-387/311, 3-4=-337/286, 4-5=-285/250

NOTES
1) Wind: ASCE 7-16; Vult=130mph (3-second gust) Vasd=103mph; TCDL=6.0psf; BCDL=6.0psf; h=25ft; Cat. II; Exp B; Enclosed; MWFRS (envelope) and C-C Exterior(2E) 0-0-6 to 3-0-6, Interior (1) 3-0-6 to 14-11-0 zone; cantilever left and right exposed; end vertical left and right exposed; C-C for members and forces & MWFRS for reactions shown; Lumber DOL=1.60 plate grip DOL=1.33
2) Truss designed for wind loads in the plane of the truss only. For studs exposed to wind (normal to the face), see Standard Industry Gable End Details as applicable, or consult qualified building designer as per ANSI/TPI 1.

- 3) TCLL: ASCE 7-16; Pr=20.0 psf (roof LL: Lum DOL=1.15 Plate DOL=1.15); Pg=20.0 psf; Pf=13.9 psf (Lum DOL=1.15 Plate DOL=1.15); Is=1.0; Rough Cat B; Fully Exp.; Ce=0.9; Cs=1.00; Ct=1.10
- 4) All plates are 2x4 MT20 unless otherwise indicated.
- 5) Gable requires continuous bottom chord bearing.
- 6) Gable studs spaced at 2'-0" oc.
- 7) * This truss has been designed for a live load of 20.0psf on the bottom chord in all areas where a rectangle 3'-06"-00 tall by 2'-00"-00 wide will fit between the bottom chord and any other members.
- 8) Provide mechanical connection (by others) of truss to bearing plate capable of withstanding 100 lb uplift at joint (s) 1, 10, 14, 15, 16, 13, 12, 11.
- 9) This truss is designed in accordance with the 2018 International Residential Code sections R502.11.1 and R802.10.2 and referenced standard ANSI/TPI 1.

LOAD CASE(S) Standard

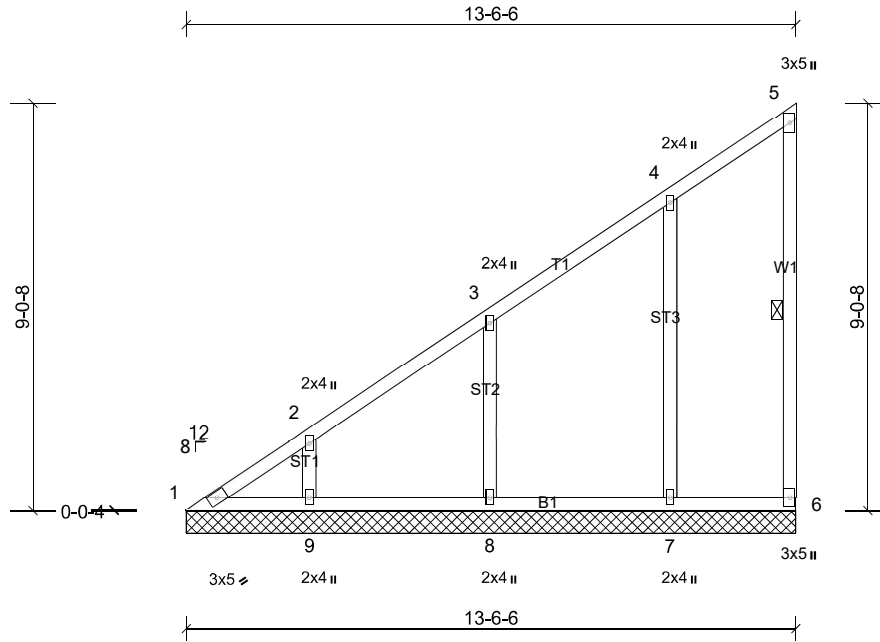
Job 22050129 - Base house	Truss VL20	Truss Type Valley	Qty 1	Ply 1	Job Reference (optional)
------------------------------	---------------	----------------------	----------	----------	--------------------------

Carter Components - Sanford, Sanford, NC, user

Run: 8.53 S Mar 28 2022 Print: 8.530 S Mar 28 2022 MiTek Industries, Inc. Wed May 25 14:19:36

Page: 1

ID: _z4JOJmTtPHoh6YvFPpM4yzD8Om-ii1U_GFIR3kMFYIUZ39dJlr5Q1o6KIZtziN5J8zD5fr



Scale = 1:51.1

Loading	(psf)	Spacing	2-0-0	CSI	DEFL	in	(loc)	I/defl	L/d	PLATES	GRIP	
TCLL (roof)	20.0	Plate Grip DOL	1.15	TC	0.80	Vert(LL)	n/a	-	n/a	999	MT20	244/190
Snow (Pf/Pg)	13.9/20.0	Lumber DOL	1.15	BC	0.22	Vert(TL)	n/a	-	n/a	999		
TCDL	10.0	Rep Stress Incr	YES	WB	0.21	Horiz(TL)	0.00	6	n/a	n/a		
BCLL	0.0*	Code	IRC2018/TPI2014	Matrix-MSH								
BCDL	10.0											
											Weight: 74 lb	FT = 20%

LUMBER
TOP CHORD 2x4 SP No.2
BOT CHORD 2x4 SP No.2
WEBS 2x4 SP No.3
OTHERS 2x4 SP No.3

BRACING
TOP CHORD Structural wood sheathing directly applied or 6'-0" oc purlins, except end verticals.
BOT CHORD Rigid ceiling directly applied or 10'-0" oc bracing.
WEBS 1 Row at midpt 5-6

MiTek recommends that Stabilizers and required cross bracing be installed during truss erection, in accordance with Stabilizer Installation guide.

- 4) * This truss has been designed for a live load of 20.0psf on the bottom chord in all areas where a rectangle 3'-06"-00 tall by 2'-00"-00 wide will fit between the bottom chord and any other members, with BCDL = 10.0psf.
- 5) Provide mechanical connection (by others) of truss to bearing plate capable of withstanding 100 lb uplift at joint (s) 6, 1, 8, 9, 7.
- 6) This truss is designed in accordance with the 2018 International Residential Code sections R502.11.1 and R802.10.2 and referenced standard ANSI/TPI 1.

LOAD CASE(S) Standard

REACTIONS All bearings 13'-6"-6."
(lb) - Max Horiz 1=253 (LC 10)
Max Uplift All uplift 100 (lb) or less at joint(s) 1, 6, 7, 8, 9
Max Grav All reactions 250 (lb) or less at joint (s) 1, 6 except 7=412 (LC 24), 8=439 (LC 24), 9=347 (LC 24)

FORCES (lb) - Max. Comp./Max. Ten. - All forces 250 (lb) or less except when shown.
TOP CHORD 1-2=-442/355, 2-3=-361/298
WEBS 3-8=-261/174

- NOTES**
- 1) Wind: ASCE 7-16; Vult=130mph (3-second gust) Vasd=103mph; TCDL=6.0psf; BCDL=6.0psf; h=25ft; Cat. II; Exp B; Enclosed; MWFRS (envelope) and C-C Exterior(2E) 0-0-6 to 2-9-3, Interior (1) 2-9-3 to 13-5-0 zone; cantilever left and right exposed; end vertical left and right exposed; C-C for members and forces & MWFRS for reactions shown; Lumber DOL=1.60 plate grip DOL=1.33
 - 2) TCLL: ASCE 7-16; Pr=20.0 psf (roof LL: Lum DOL=1.15 Plate DOL=1.15); Pg=20.0 psf; Pf=13.9 psf (Lum DOL=1.15 Plate DOL=1.15); Is=1.0; Rough Cat B; Fully Exp.; Ce=0.9; Cs=1.00; Ct=1.10
 - 3) Gable requires continuous bottom chord bearing.

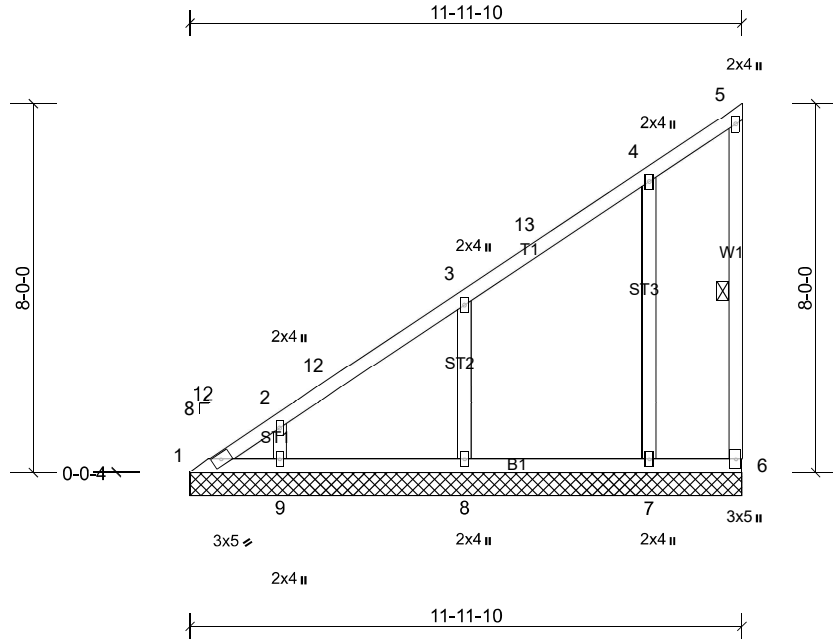
Job 22050129 - Base house	Truss VL21	Truss Type Valley	Qty 1	Ply 1	Job Reference (optional)
------------------------------	---------------	----------------------	----------	----------	--------------------------

Carter Components - Sanford, Sanford, NC, user

Run: 8.53 S Mar 28 2022 Print: 8.530 S Mar 28 2022 MiTek Industries, Inc. Wed May 25 14:19:37

Page: 1

ID:SAehcen5eiPfiG75o7Kbd9zD8OI-AvbsBcFKCNsDtSh7mhsrzOJIR953mb1CM7erazD5fq



Scale = 1:50

Loading	(psf)	Spacing	2-0-0	CSI	DEFL	in	(loc)	l/defl	L/d	PLATES	GRIP	
TCLL (roof)	20.0	Plate Grip DOL	1.15	TC	0.60	Vert(LL)	n/a	-	n/a	999	MT20	244/190
Snow (Pf/Pg)	13.9/20.0	Lumber DOL	1.15	BC	0.17	Vert(TL)	n/a	-	n/a	999		
TCDL	10.0	Rep Stress Incr	YES	WB	0.16	Horiz(TL)	0.00	6	n/a	n/a		
BCLL	0.0*	Code	IRC2018/TPI2014	Matrix-MSH								
BCDL	10.0											
											Weight: 65 lb	FT = 20%

LUMBER
TOP CHORD 2x4 SP No.2
BOT CHORD 2x4 SP No.2
WEBS 2x4 SP No.3
OTHERS 2x4 SP No.3

BRACING
TOP CHORD Structural wood sheathing directly applied or 6-0-0 oc purlins, except end verticals.
BOT CHORD Rigid ceiling directly applied or 6-0-0 oc bracing.
WEBS 1 Row at midpt 5-6

MiTek recommends that Stabilizers and required cross bracing be installed during truss erection, in accordance with Stabilizer Installation guide.

- 4) * This truss has been designed for a live load of 20.0psf on the bottom chord in all areas where a rectangle 3-06-00 tall by 2-00-00 wide will fit between the bottom chord and any other members, with BCDL = 10.0psf.
- 5) Provide mechanical connection (by others) of truss to bearing plate capable of withstanding 100 lb uplift at joint (s) 6, 1, 8, 9, 7.
- 6) This truss is designed in accordance with the 2018 International Residential Code sections R502.11.1 and R802.10.2 and referenced standard ANSI/TPI 1.

LOAD CASE(S) Standard

REACTIONS All bearings 11-11-10.
(lb) - Max Horiz 1=223 (LC 10)
Max Uplift All uplift 100 (lb) or less at joint(s) 1, 6, 7, 8, 9
Max Grav All reactions 250 (lb) or less at joint (s) 1, 6 except 7=363 (LC 24), 8=450 (LC 24), 9=310 (LC 24)

FORCES (lb) - Max. Comp./Max. Ten. - All forces 250 (lb) or less except when shown.
TOP CHORD 1-2=-404/280, 2-12=-339/208, 3-12=-315/241
WEBS 3-8=-266/152

- NOTES**
- 1) Wind: ASCE 7-16; Vult=130mph (3-second gust) Vasd=103mph; TCDL=6.0psf; BCDL=6.0psf; h=25ft; Cat. II; Exp B; Enclosed; MWFRS (envelope) and C-C Exterior(2E) 0-0-6 to 3-0-6, Interior (1) 3-0-6 to 11-10-4 zone; cantilever left and right exposed; end vertical left and right exposed; C-C for members and forces & MWFRS for reactions shown; Lumber DOL=1.60 plate grip DOL=1.33
 - 2) TCLL: ASCE 7-16; Pr=20.0 psf (roof LL: Lum DOL=1.15 Plate DOL=1.15); Pg=20.0 psf; Pf=13.9 psf (Lum DOL=1.15 Plate DOL=1.15); Is=1.0; Rough Cat B; Fully Exp.; Ce=0.9; Cs=1.00; Ct=1.10
 - 3) Gable requires continuous bottom chord bearing.