

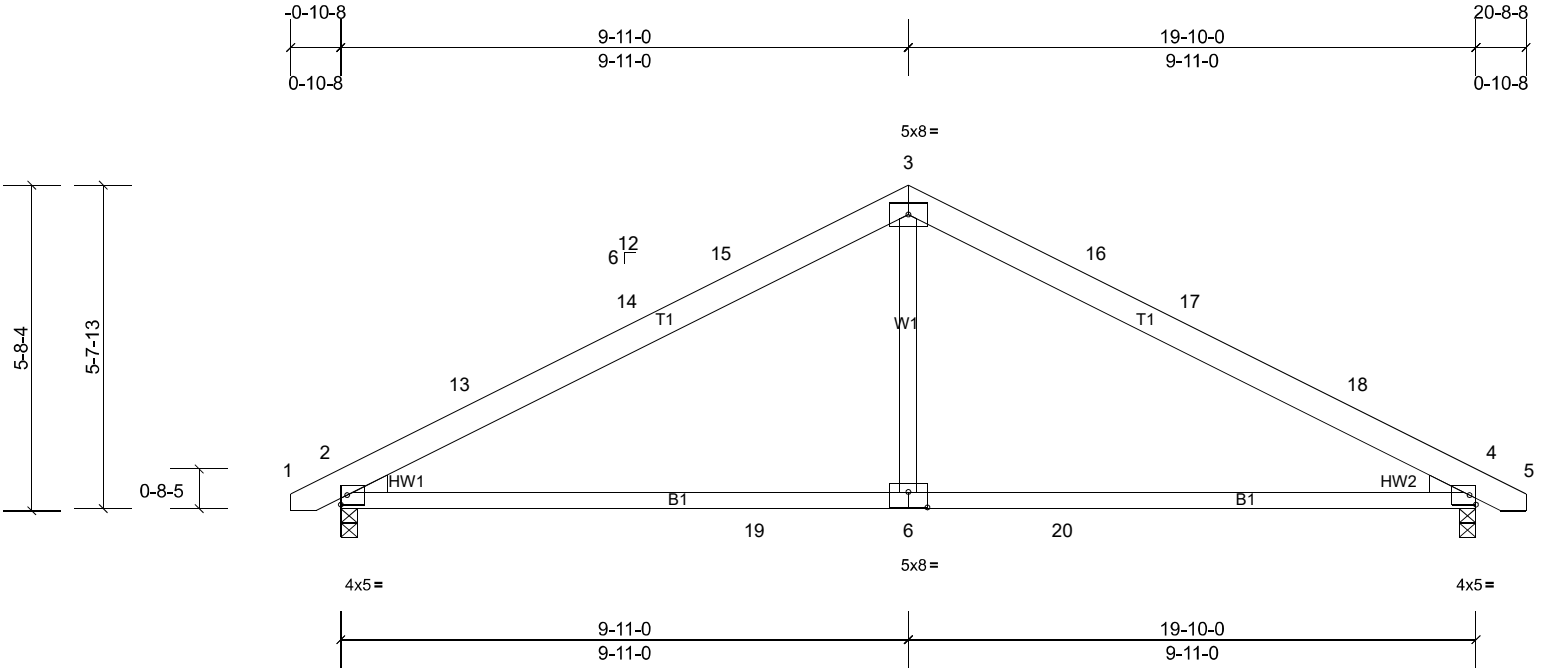
| | | | | | |
|-----------------|-------------|----------------------|----------|----------|--|
| Job 20120029 | Truss T1 | Truss Type Common | Qty 5 | Ply 1 | 4 Rosemont Job Reference (optional) |
|-----------------|-------------|----------------------|----------|----------|--|

Carter Components - Sanford, Sanford, NC, user

Run: 8.41 S Oct 26 2020 Print: 8.410 S Oct 26 2020 MiTek Industries, Inc. Thu Dec 31 10:44:53

Page: 1

ID:xFVn7POp82HDQT?_xNzQsCy3VWw-o?h5bvJu1YG8bztPJWqlqU5YxNWGcBjXB5w_zGy3UM8



Scale = 1:40.3

Plate Offsets (X, Y): [6:0-4-0,0-3-4]

| Loading | (psf) | Spacing | 2-0-0 | CSI | | DEFL | in | (loc) | l/defl | L/d | PLATES | GRIP |
|--------------|-----------|-----------------|-----------------|------------|------|----------|-------|-------|--------|-----|---------------|----------|
| TCLL (roof) | 20.0 | Plate Grip DOL | 1.15 | TC | 0.68 | Vert(LL) | -0.18 | 6-9 | >999 | 240 | MT20 | 244/190 |
| Snow (Pf/Pg) | 13.9/20.0 | Lumber DOL | 1.15 | BC | 0.78 | Vert(CT) | -0.32 | 6-9 | >743 | 180 | | |
| TCDL | 10.0 | Rep Stress Incr | YES | WB | 0.20 | Horz(CT) | 0.03 | 2 | n/a | n/a | | |
| BCLL | 0.0* | Code | IRC2018/TPI2014 | Matrix-MSH | | | | | | | | |
| BCDL | 10.0 | | | | | | | | | | Weight: 95 lb | FT = 20% |

LUMBER
TOP CHORD 2x6 SP No.2
BOT CHORD 2x4 SP No.1
WEBS 2x4 SP No.3
WEDGE Left: 2x4 SP No.3
Right: 2x4 SP No.3

BRACING
TOP CHORD
BOT CHORD

Structural wood sheathing directly applied or 5-4-14 oc purlins.
Rigid ceiling directly applied or 10-0-0 oc bracing.

MiTek recommends that Stabilizers and required cross bracing be installed during truss erection, in accordance with Stabilizer Installation guide.

REACTIONS (lb/size) 2=703/0-3-8, (min. 0-1-8), 4=703/0-3-8, (min. 0-1-8)
Max Horiz 2=-54 (LC 13)
Max Grav 2=916 (LC 3), 4=916 (LC 3)

FORCES (lb) - Max. Comp./Max. Ten. - All forces 250 (lb) or less except when shown.
TOP CHORD 2-13=-1187/158, 13-14=-1111/172, 14-15=-1096/174, 3-15=-1059/199, 3-16=-1059/199, 16-17=-1096/174,
17-18=-1111/172, 4-18=-1187/158
BOT CHORD 2-19=-189/998, 6-19=-47/998, 6-20=-47/998, 4-20=-47/998
WEBS 3-6=0/519

- NOTES**
- Unbalanced roof live loads have been considered for this design.
 - Wind: ASCE 7-16; Vult=130mph (3-second gust) Vasd=103mph; TCDL=6.0psf; BCDL=6.0psf; h=25ft; Cat. II; Exp B; Enclosed; MWFRS (envelope) and C-C Exterior(2E) -0-7-14 to 2-4-2, Interior (1) 2-4-2 to 9-11-0, Exterior(2R) 9-11-0 to 12-11-0, Interior (1) 12-11-0 to 20-5-14 zone;C-C for members and forces & MWFRS for reactions shown; Lumber DOL=1.60 plate grip DOL=1.33
 - TCLL: ASCE 7-16; Pr=20.0 psf (roof LL: Lum DOL=1.15 Plate DOL=1.15); Pg=20.0 psf; Pf=13.9 psf (Lum DOL=1.15 Plate DOL=1.15); Is=1.0; Rough Cat B; Fully Exp.; Ce=0.9; Cs=1.00; Ct=1.10
 - Unbalanced snow loads have been considered for this design.
 - This truss has been designed for greater of min roof live load of 12.0 psf or 2.00 times flat roof load of 13.9 psf on overhangs non-concurrent with other live loads.
 - * This truss has been designed for a live load of 20.0psf on the bottom chord in all areas where a rectangle 3-06-00 tall by 2-00-00 wide will fit between the bottom chord and any other members, with BCDL = 10.0psf.
 - This truss is designed in accordance with the 2018 International Residential Code sections R502.11.1 and R802.10.2 and referenced standard ANSI/TPI 1.

LOAD CASE(S) Standard

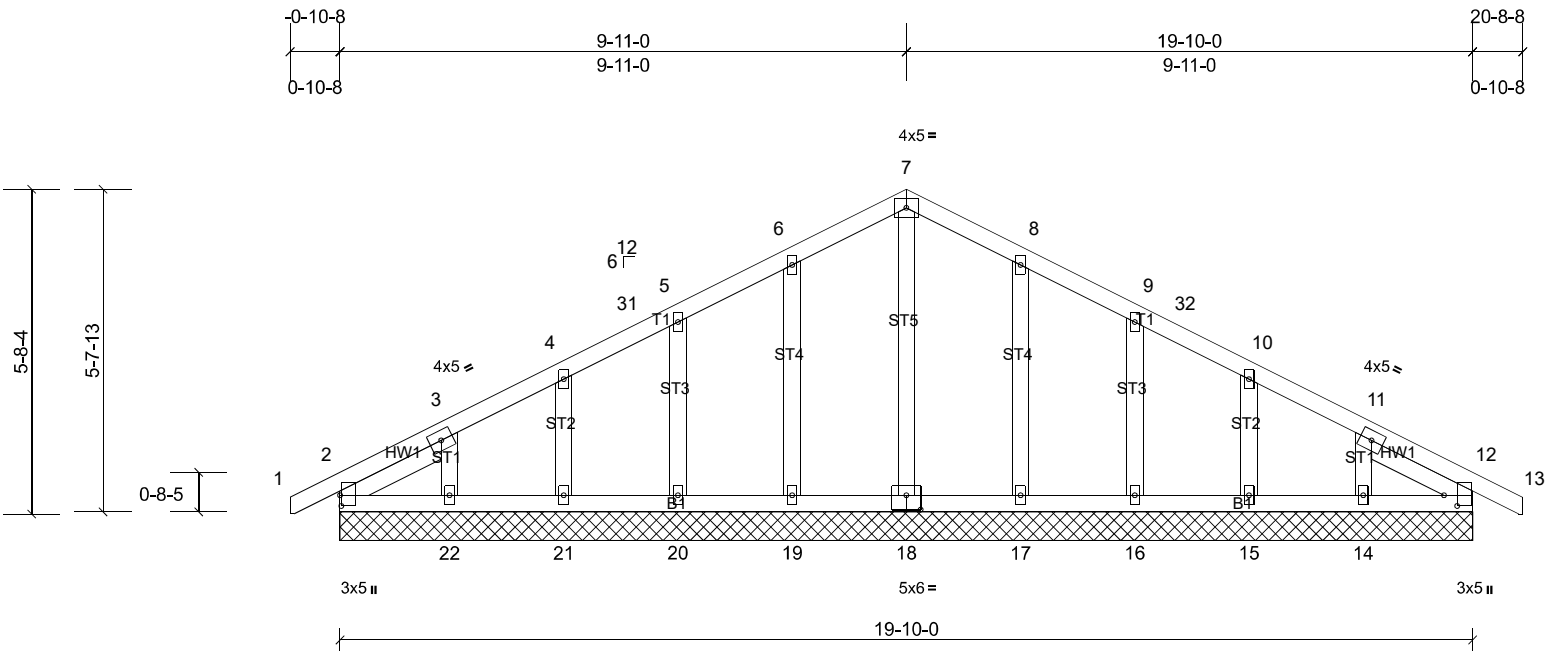
| | | | | | |
|-----------------|---------------|--------------------------------------|----------|----------|--|
| Job 20120029 | Truss T1GE | Truss Type Common Supported Gable | Qty 1 | Ply 1 | 4 Rosemont Job Reference (optional) |
|-----------------|---------------|--------------------------------------|----------|----------|--|

Carter Components - Sanford, Sanford, NC, user

Run: 8.41 S Oct 26 2020 Print: 8.410 S Oct 26 2020 MiTek Industries, Inc. Thu Dec 31 10:44:54

Page: 1

ID:PR39KIPRvMP41daAV4UfOQy3VWv-GBFTpFKWosO?D7S?IEL_MhetOn2HLg1hQlFXVjy3UM7



Scale = 1:40.3

Plate Offsets (X, Y): [2:0-2-4,0-0-4], [12:0-2-4,0-2-12], [18:0-3-0,0-3-0]

| Loading | (psf) | Spacing | 2-0-0 | CSI | 0.06 | DEFL | in | (loc) | l/defl | L/d | PLATES | GRIP |
|--------------|-----------|-----------------|-----------------|------------|------|----------|------|-------|--------|-----|----------------|----------|
| TCLL (roof) | 20.0 | Plate Grip DOL | 1.15 | TC | 0.06 | Vert(LL) | n/a | - | n/a | 999 | MT20 | 244/190 |
| Snow (Pf/Pg) | 13.9/20.0 | Lumber DOL | 1.15 | BC | 0.03 | Vert(CT) | n/a | - | n/a | 999 | | |
| TCDL | 10.0 | Rep Stress Incr | YES | WB | 0.07 | Horz(CT) | 0.00 | 12 | n/a | n/a | | |
| BCLL | 0.0* | Code | IRC2018/TPI2014 | Matrix-MSH | | | | | | | | |
| BCDL | 10.0 | | | | | | | | | | | |
| | | | | | | | | | | | Weight: 110 lb | FT = 20% |

LUMBER
TOP CHORD 2x4 SP No.2
BOT CHORD 2x4 SP No.2
OTHERS 2x4 SP No.3 *Except* ST5:2x4 SP No.2
SLIDER Left 2x4 SP No.3 -- 2-0-3, Right 2x4 SP No.3 -- 2-0-3

BRACING
TOP CHORD
BOT CHORD

Structural wood sheathing directly applied or 6-0-0 oc purlins.
Rigid ceiling directly applied or 10-0-0 oc bracing.

MiTek recommends that Stabilizers and required cross bracing be installed during truss erection, in accordance with Stabilizer Installation guide.

REACTIONS All bearings 19-10-0.
(lb) - Max Horiz 2=-55 (LC 13), 23=-55 (LC 13)
Max Uplift All uplift 100 (lb) or less at joint(s) 2, 14, 15, 16, 17, 19, 20, 21, 22, 23
Max Grav All reactions 250 (lb) or less at joint(s) 2, 12, 14, 15, 16, 17, 18, 19, 20, 21, 22, 23, 27

FORCES (lb) - Max. Comp./Max. Ten. - All forces 250 (lb) or less except when shown.

NOTES

- Unbalanced roof live loads have been considered for this design.
- Wind: ASCE 7-16; Vult=130mph (3-second gust) Vasd=103mph; TCDL=6.0psf; BCDL=6.0psf; h=25ft; Cat. II; Exp B; Enclosed; MWFRS (envelope) and C-C Corner(3E) -0-10-1 to 1-11-0, Exterior(2N) 1-11-0 to 9-11-0, Corner(3R) 9-11-0 to 12-11-0, Exterior(2N) 12-11-0 to 20-8-2 zone;C-C for members and forces & MWFRS for reactions shown; Lumber DOL=1.60 plate grip DOL=1.33
- Truss designed for wind loads in the plane of the truss only. For studs exposed to wind (normal to the face), see Standard Industry Gable End Details as applicable, or consult qualified building designer as per ANSI/TPI 1.
- TCLL: ASCE 7-16; Pr=20.0 psf (roof LL: Lum DOL=1.15 Plate DOL=1.15); Pg=20.0 psf; Pf=13.9 psf (Lum DOL=1.15 Plate DOL=1.15); Is=1.0; Rough Cat B; Fully Exp.; Ce=0.9; Cs=1.00; Ct=1.10
- Unbalanced snow loads have been considered for this design.
- This truss has been designed for greater of min roof live load of 12.0 psf or 2.00 times flat roof load of 13.9 psf on overhangs non-concurrent with other live loads.
- All plates are 2x4 MT20 unless otherwise indicated.
- Gable requires continuous bottom chord bearing.
- Gable studs spaced at 2-0-0 oc.
- * This truss has been designed for a live load of 20.0psf on the bottom chord in all areas where a rectangle 3-06-00 tall by 2-00-00 wide will fit between the bottom chord and any other members.
- One RT7A USP connectors recommended to connect truss to bearing walls due to UPLIFT at jt(s) 2, 19, 20, 21, 22, 17, 16, 15, and 14. This connection is for uplift only and does not consider lateral forces.
- This truss is designed in accordance with the 2018 International Residential Code sections R502.11.1 and R802.10.2 and referenced standard ANSI/TPI 1.

LOAD CASE(S) Standard

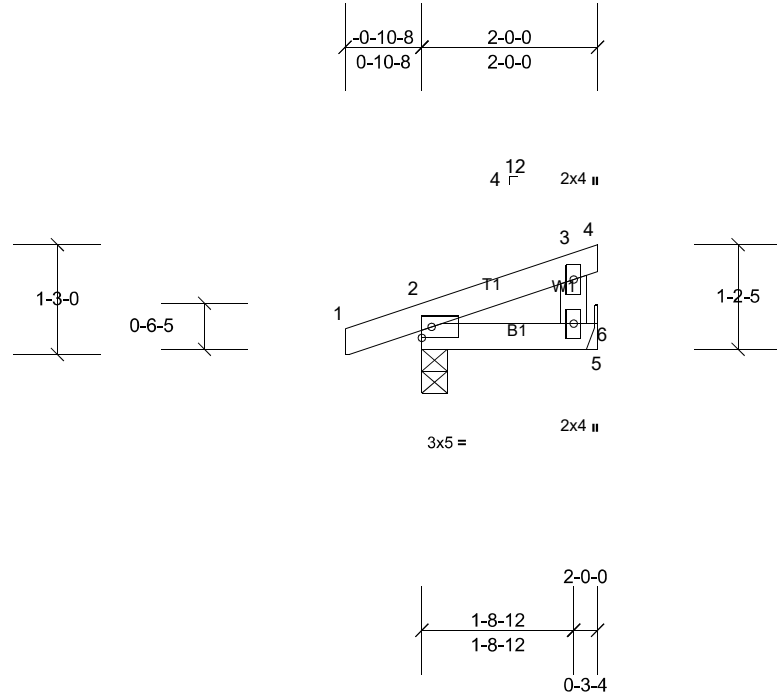
| | | | | | |
|-----------------|-------------|-------------------------|----------|----------|--|
| Job 20120029 | Truss T2 | Truss Type Monopitch | Qty 6 | Ply 1 | 4 Rosemont Job Reference (optional) |
|-----------------|-------------|-------------------------|----------|----------|--|

Carter Components - Sanford, Sanford, NC, user

Run: 8.41 S Oct 26 2020 Print: 8.410 S Oct 26 2020 MiTek Industries, Inc. Thu Dec 31 10:44:54

Page: 1

ID: sO1ijNYcR1VA9rbqywymny3VWVy-GBFTpFKWosO?D7S?iEL_MhetOn23Lh2hQlfXVjy3UM7



Scale = 1:26.2

| Loading | (psf) | Spacing | 2-0-0 | CSI | DEFL | in | (loc) | l/defl | L/d | PLATES | GRIP | |
|--------------|-----------|-----------------|-----------------|-----------|------|----------|-------|--------|------|--------|--------------|----------|
| TCLL (roof) | 20.0 | Plate Grip DOL | 1.15 | TC | 0.06 | Vert(LL) | 0.00 | 6-9 | >999 | 240 | MT20 | 244/190 |
| Snow (Pf/Pg) | 13.9/20.0 | Lumber DOL | 1.15 | BC | 0.04 | Vert(CT) | 0.00 | 6-9 | >999 | 180 | | |
| TCDL | 10.0 | Rep Stress Incr | YES | WB | 0.00 | Horz(CT) | 0.00 | 2 | n/a | n/a | | |
| BCLL | 0.0* | Code | IRC2018/TPI2014 | Matrix-MP | | | | | | | | |
| BCDL | 10.0 | | | | | | | | | | Weight: 8 lb | FT = 20% |

LUMBER

TOP CHORD 2x4 SP No.2
 BOT CHORD 2x4 SP No.2
 WEBS 2x4 SP No.3

BRACING

TOP CHORD Structural wood sheathing directly applied or 2-0-0 oc purlins, except end verticals.
 BOT CHORD Rigid ceiling directly applied or 10-0-0 oc bracing.

REACTIONS (lb/size) 2=117/0-3-8, (min. 0-1-8), 5=59/ Mechanical, (min. 0-1-8)
 Max Horiz 2=27 (LC 11)
 Max Uplift 2=-23 (LC 11), 5=-4 (LC 15)
 Max Grav 2=153 (LC 22), 5=74 (LC 22)

MiTek recommends that Stabilizers and required cross bracing be installed during truss erection, in accordance with Stabilizer Installation guide.

FORCES (lb) - Max. Comp./Max. Ten. - All forces 250 (lb) or less except when shown.

NOTES

- 1) Wind: ASCE 7-16; Vult=130mph (3-second gust) Vasd=103mph; TCDL=6.0psf; BCDL=6.0psf; h=25ft; Cat. II; Exp B; Enclosed; MWFRS (envelope) and C-C Exterior(2E) zone; C-C for members and forces & MWFRS for reactions shown; Lumber DOL=1.60 plate grip DOL=1.33
- 2) TCLL: ASCE 7-16; Pr=20.0 psf (roof LL: Lum DOL=1.15 Plate DOL=1.15); Pg=20.0 psf; Pf=13.9 psf (Lum DOL=1.15 Plate DOL=1.15); Is=1.0; Rough Cat B; Fully Exp.; Ce=0.9; Cs=1.00; Ct=1.10
- 3) Unbalanced snow loads have been considered for this design.
- 4) This truss has been designed for greater of min roof live load of 12.0 psf or 2.00 times flat roof load of 13.9 psf on overhangs non-concurrent with other live loads.
- 5) * This truss has been designed for a live load of 20.0psf on the bottom chord in all areas where a rectangle 3-06-00 tall by 2-00-00 wide will fit between the bottom chord and any other members.
- 6) Refer to girder(s) for truss to truss connections.
- 7) Provide mechanical connection (by others) of truss to bearing plate capable of withstanding 4 lb uplift at jt(s) 5.
- 8) One RT7A USP connectors recommended to connect truss to bearing walls due to UPLIFT at jt(s) 2. This connection is for uplift only and does not consider lateral forces.
- 9) This truss is designed in accordance with the 2018 International Residential Code sections R502.11.1 and R802.10.2 and referenced standard ANSI/TPI 1.

LOAD CASE(S) Standard

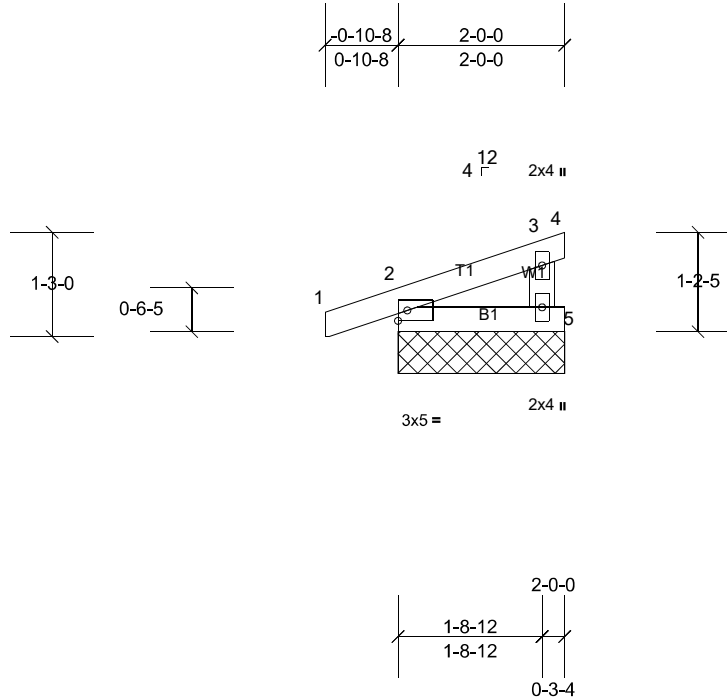
| | | | | | |
|-----------------|---------------|---|----------|----------|--|
| Job 20120029 | Truss T2GE | Truss Type Monopitch Supported Gable | Qty 1 | Ply 1 | 4 Rosemont Job Reference (optional) |
|-----------------|---------------|---|----------|----------|--|

Carter Components - Sanford, Sanford, NC, user

Run: 8.41 S Oct 26 2020 Print: 8.410 S Oct 26 2020 MiTek Industries, Inc. Thu Dec 31 10:44:54

Page: 1

ID: _sO1ijNYcR1VA9rbqywmny3VWY-GBFTpFKWosO?D7S?IEL_MhesJn2QLh2hQifXVjy3UM7



Scale = 1:27.6

| Loading | (psf) | Spacing | 2-0-0 | CSI | 0.07 | DEFL | in | (loc) | l/defl | L/d | PLATES | GRIP |
|--------------|-----------|-----------------|-----------------|-----------|------|----------|------|-------|--------|-----|--------------|----------|
| TCLL (roof) | 20.0 | Plate Grip DOL | 1.15 | TC | 0.07 | Vert(LL) | n/a | - | n/a | 999 | MT20 | 244/190 |
| Snow (Pf/Pg) | 13.9/20.0 | Lumber DOL | 1.15 | BC | 0.02 | Vert(CT) | n/a | - | n/a | 999 | | |
| TCDL | 10.0 | Rep Stress Incr | YES | WB | 0.00 | Horz(CT) | 0.00 | 4 | n/a | n/a | | |
| BCLL | 0.0* | Code | IRC2018/TPI2014 | Matrix-MP | | | | | | | Weight: 8 lb | FT = 20% |
| BCDL | 10.0 | | | | | | | | | | | |

LUMBER

TOP CHORD 2x4 SP No.2
 BOT CHORD 2x4 SP No.2
 WEBS 2x4 SP No.3

BRACING

TOP CHORD
 BOT CHORD

Structural wood sheathing directly applied or 2-0-0 oc purlins, except end verticals.
 Rigid ceiling directly applied or 10-0-0 oc bracing.

REACTIONS All bearings 2-0-0.

(lb) - Max Horiz 2=28 (LC 11), 6=28 (LC 11)
 Max Uplift All uplift 100 (lb) or less at joint(s) 2, 4, 5, 6
 Max Grav All reactions 250 (lb) or less at joint(s) 2, 4, 5, 6

MiTek recommends that Stabilizers and required cross bracing be installed during truss erection, in accordance with Stabilizer Installation guide.

FORCES

(lb) - Max. Comp./Max. Ten. - All forces 250 (lb) or less except when shown.

NOTES

- 1) Wind: ASCE 7-16; Vult=130mph (3-second gust) Vasd=103mph; TCDL=6.0psf; BCDL=6.0psf; h=25ft; Cat. II; Exp B; Enclosed; MWFRS (envelope) and C-C Corner(3E) zone; C-C for members and forces & MWFRS for reactions shown; Lumber DOL=1.60 plate grip DOL=1.33
- 2) Truss designed for wind loads in the plane of the truss only. For studs exposed to wind (normal to the face), see Standard Industry Gable End Details as applicable, or consult qualified building designer as per ANSI/TPI 1.
- 3) TCLL: ASCE 7-16; Pr=20.0 psf (roof LL: Lum DOL=1.15 Plate DOL=1.15); Pg=20.0 psf; Pf=13.9 psf (Lum DOL=1.15 Plate DOL=1.15); Is=1.0; Rough Cat B; Fully Exp.; Ce=0.9; Cs=1.00; Ct=1.10
- 4) Unbalanced snow loads have been considered for this design.
- 5) This truss has been designed for greater of min roof live load of 12.0 psf or 2.00 times flat roof load of 13.9 psf on overhangs non-concurrent with other live loads.
- 6) Gable requires continuous bottom chord bearing.
- 7) Gable studs spaced at 2-0-0 oc.
- 8) * This truss has been designed for a live load of 20.0psf on the bottom chord in all areas where a rectangle 3-06-00 tall by 2-00-00 wide will fit between the bottom chord and any other members.
- 9) One RT7A USP connectors recommended to connect truss to bearing walls due to UPLIFT at jt(s) 2 and 5. This connection is for uplift only and does not consider lateral forces.
- 10) One RT16A USP connectors recommended to connect truss to bearing walls due to UPLIFT at jt(s) 4. This connection is for uplift only and does not consider lateral forces.
- 11) Beveled plate or shim required to provide full bearing surface with truss chord at joint(s) 2, 6.
- 12) This truss is designed in accordance with the 2018 International Residential Code sections R502.11.1 and R802.10.2 and referenced standard ANSI/TPI 1.

LOAD CASE(S) Standard

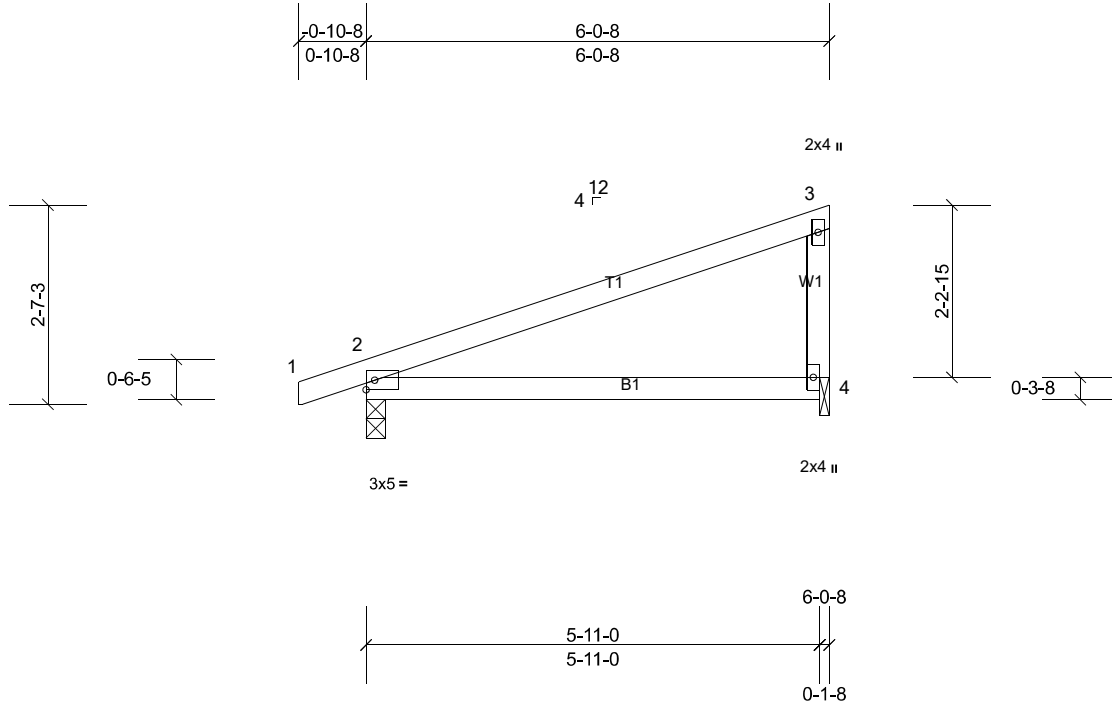
| | | | | | |
|-----------------|-------------|-------------------------|----------|----------|--|
| Job 20120029 | Truss T3 | Truss Type Monopitch | Qty 4 | Ply 1 | 4 Rosemont Job Reference (optional) |
|-----------------|-------------|-------------------------|----------|----------|--|

Carter Components - Sanford, Sanford, NC, user

Run: 8.41 S Oct 26 2020 Print: 8.410 S Oct 26 2020 MiTek Industries, Inc. Thu Dec 31 10:44:55

Page: 1

ID: sO1ijNYcR1VA9rbqywmny3VWy-kOpr0aL9ZAWsrH1BRxsDvvBurBIC48lqfPP419y3UM6



Scale = 1:30.1

| Loading | (psf) | Spacing | 2-0-0 | CSI | | DEFL | in | (loc) | l/defl | L/d | PLATES | GRIP |
|--------------|-----------|-----------------|-----------------|-----------|------|----------|-------|-------|--------|-----|---------------|----------|
| TCLL (roof) | 20.0 | Plate Grip DOL | 1.15 | TC | 0.66 | Vert(LL) | 0.06 | 4-7 | >999 | 240 | MT20 | 244/190 |
| Snow (Pf/Pg) | 13.9/20.0 | Lumber DOL | 1.15 | BC | 0.43 | Vert(CT) | -0.13 | 4-7 | >536 | 180 | | |
| TCDL | 10.0 | Rep Stress Incr | YES | WB | 0.00 | Horz(CT) | 0.02 | 2 | n/a | n/a | | |
| BCLL | 0.0* | Code | IRC2018/TPI2014 | Matrix-MP | | | | | | | | |
| BCDL | 10.0 | | | | | | | | | | Weight: 23 lb | FT = 20% |

LUMBER

TOP CHORD 2x4 SP No.2
BOT CHORD 2x4 SP No.2
WEBS 2x4 SP No.3

BRACING

TOP CHORD
BOT CHORD

Structural wood sheathing directly applied or 6'-0-0 oc purlins, except end verticals.
Rigid ceiling directly applied or 10'-0-0 oc bracing.

REACTIONS (lb/size) 2=243/0-3-0, (min. 0-1-8), 4=197/0-1-8, (min. 0-1-8)
Max Horiz 2=61 (LC 11)
Max Uplift 2=-18 (LC 11), 4=-14 (LC 15)
Max Grav 2=308 (LC 22), 4=266 (LC 22)

MiTek recommends that Stabilizers and required cross bracing be installed during truss erection, in accordance with Stabilizer Installation guide.

FORCES (lb) - Max. Comp./Max. Ten. - All forces 250 (lb) or less except when shown.

NOTES

- Wind: ASCE 7-16; Vult=130mph (3-second gust) Vasd=103mph; TCDL=6.0psf; BCDL=6.0psf; h=25ft; Cat. II; Exp B; Enclosed; MWFRS (envelope) and C-C Exterior(2E) -0-10-3 to 2-1-13, Interior (1) 2-1-13 to 5-10-12 zone; C-C for members and forces & MWFRS for reactions shown; Lumber DOL=1.60 plate grip DOL=1.33
- TCLL: ASCE 7-16; Pr=20.0 psf (roof LL: Lum DOL=1.15 Plate DOL=1.15); Pg=20.0 psf; Pf=13.9 psf (Lum DOL=1.15 Plate DOL=1.15); Is=1.0; Rough Cat B; Fully Exp.; Ce=0.9; Cs=1.00; Ct=1.10
- Unbalanced snow loads have been considered for this design.
- This truss has been designed for greater of min roof live load of 12.0 psf or 2.00 times flat roof load of 13.9 psf on overhangs non-concurrent with other live loads.
- * This truss has been designed for a live load of 20.0psf on the bottom chord in all areas where a rectangle 3'-06"-00 tall by 2'-00"-00 wide will fit between the bottom chord and any other members.
- Bearing at joint(s) 4 considers parallel to grain value using ANSI/TPI 1 angle to grain formula. Building designer should verify capacity of bearing surface.
- Provide mechanical connection (by others) of truss to bearing plate at joint(s) 4.
- One RT7A USP connectors recommended to connect truss to bearing walls due to UPLIFT at jt(s) 2 and 4. This connection is for uplift only and does not consider lateral forces.
- This truss is designed in accordance with the 2018 International Residential Code sections R502.11.1 and R802.10.2 and referenced standard ANSI/TPI 1.

LOAD CASE(S) Standard

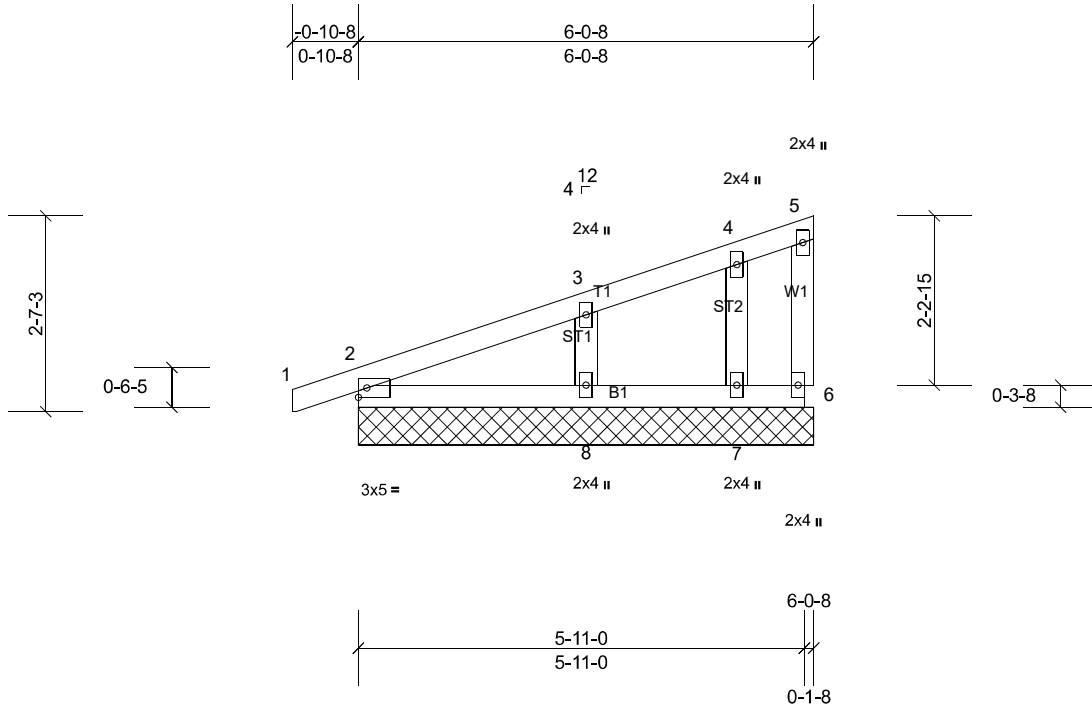
| | | | | | |
|----------|-------|---------------------------|-----|-----|--------------------------|
| Job | Truss | Truss Type | Qty | Ply | 4 Rosemont |
| 20120029 | T3GE | Monopitch Supported Gable | 1 | 1 | Job Reference (optional) |

Carter Components - Sanford, Sanford, NC, user

Run: 8.41 S Oct 26 2020 Print: 8.410 S Oct 26 2020 MiTek Industries, Inc. Thu Dec 31 10:44:55

Page: 1

ID: _sO1ijNYcR1VA9rbqywyyny3VVWY-kOpr0aL9ZAWsrH1BRxsDvvB1LBNW478qfPP419y3UM6



Scale = 1:30.6

| Loading | (psf) | Spacing | 2-0-0 | CSI | 0.11 | DEFL | in | (loc) | l/defl | L/d | PLATES | GRIP |
|--------------|-----------|-----------------|-----------------|-----------|------|----------|------|-------|--------|-----|---------------|----------|
| TCLL (roof) | 20.0 | Plate Grip DOL | 1.15 | TC | 0.11 | Vert(LL) | n/a | - | n/a | 999 | MT20 | 244/190 |
| Snow (Pf/Pg) | 13.9/20.0 | Lumber DOL | 1.15 | BC | 0.09 | Vert(CT) | n/a | - | n/a | 999 | | |
| TCDL | 10.0 | Rep Stress Incr | YES | WB | 0.07 | Horz(CT) | 0.00 | 2 | n/a | n/a | | |
| BCLL | 0.0* | Code | IRC2018/TPI2014 | Matrix-MP | | | | | | | | |
| BCDL | 10.0 | | | | | | | | | | Weight: 27 lb | FT = 20% |

LUMBER
 TOP CHORD 2x4 SP No.2
 BOT CHORD 2x4 SP No.2
 WEBS 2x4 SP No.3
 OTHERS 2x4 SP No.3

BRACING
 TOP CHORD
 BOT CHORD

Structural wood sheathing directly applied or 6-0-0 oc purlins, except end verticals.
 Rigid ceiling directly applied or 10-0-0 oc bracing.

MiTek recommends that Stabilizers and required cross bracing be installed during truss erection, in accordance with Stabilizer Installation guide.

REACTIONS All bearings 6-0-8.
 (lb) - Max Horiz 2=61 (LC 11), 9=61 (LC 11)
 Max Uplift All uplift 100 (lb) or less at joint(s) 2, 6, 7, 8, 9
 Max Grav All reactions 250 (lb) or less at joint(s) 2, 6, 7, 9 except 8=281 (LC 22)

FORCES (lb) - Max. Comp./Max. Ten. - All forces 250 (lb) or less except when shown.
 WEBS 3-8=204/251

- NOTES**
- Wind: ASCE 7-16; Vult=130mph (3-second gust) Vasd=103mph; TCDL=6.0psf; BCDL=6.0psf; h=25ft; Cat. II; Exp B; Enclosed; MWFRS (envelope) and C-C Corner(3E) -0-10-3 to 2-1-13, Exterior(2N) 2-1-13 to 5-10-12 zone;C-C for members and forces & MWFRS for reactions shown; Lumber DOL=1.60 plate grip DOL=1.33
 - Truss designed for wind loads in the plane of the truss only. For studs exposed to wind (normal to the face), see Standard Industry Gable End Details as applicable, or consult qualified building designer as per ANSI/TPI 1.
 - TCLL: ASCE 7-16; Pr=20.0 psf (roof LL: Lum DOL=1.15 Plate DOL=1.15); Pg=20.0 psf; Pf=13.9 psf (Lum DOL=1.15 Plate DOL=1.15); Is=1.0; Rough Cat B; Fully Exp.; Ce=0.9; Cs=1.00; Ct=1.10
 - Unbalanced snow loads have been considered for this design.
 - This truss has been designed for greater of min roof live load of 12.0 psf or 2.00 times flat roof load of 13.9 psf on overhangs non-concurrent with other live loads.
 - Gable requires continuous bottom chord bearing.
 - Gable studs spaced at 2-0-0 oc.
 - * This truss has been designed for a live load of 20.0psf on the bottom chord in all areas where a rectangle 3-06-00 tall by 2-00-00 wide will fit between the bottom chord and any other members.
 - One RT7A USP connectors recommended to connect truss to bearing walls due to UPLIFT at jt(s) 6, 2, 8, and 7. This connection is for uplift only and does not consider lateral forces.
 - This truss is designed in accordance with the 2018 International Residential Code sections R502.11.1 and R802.10.2 and referenced standard ANSI/TPI 1.

LOAD CASE(S) Standard

| | | | | | |
|-----------------|-------------|----------------------|----------|----------|--|
| Job 20120029 | Truss T4 | Truss Type Common | Qty 2 | Ply 1 | 4 Rosemont Job Reference (optional) |
|-----------------|-------------|----------------------|----------|----------|--|

Carter Components - Sanford, Sanford, NC, user

Run: 8.41 S Oct 26 2020 Print: 8.410 S Oct 26 2020 MiTek Industries, Inc. Thu Dec 31 10:44:55

Page: 1

ID:2DkrjD8d4beCOEuxDT4VVny3VXF-kOpr0aL9ZAWsrH1BRxsDvvBw1B9R4_zqfPP419y3UM6

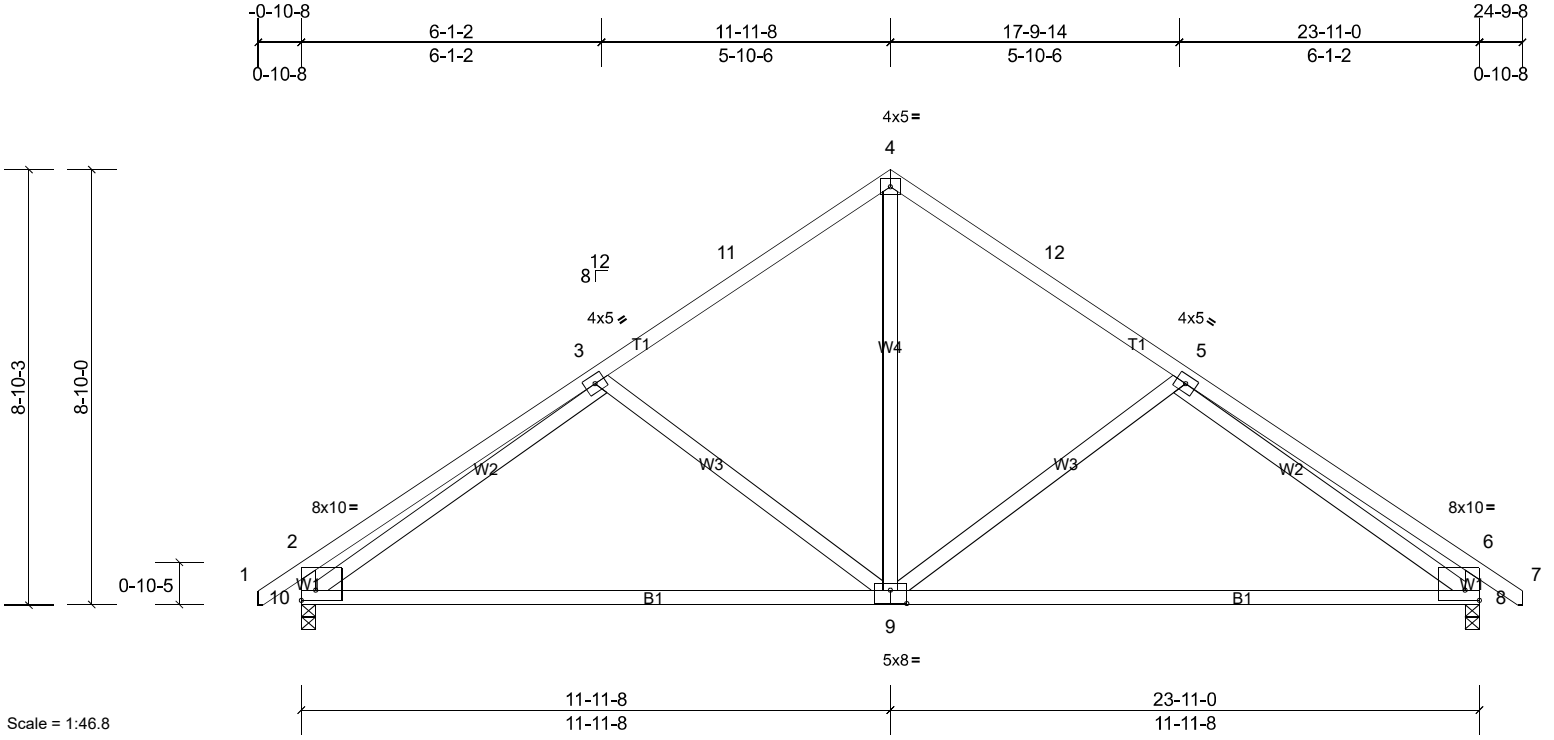


Plate Offsets (X, Y): [2:Edge,0-2-8], [6:Edge,0-2-8], [9:0-4-0,0-3-4]

| Loading | (psf) | Spacing | 2-0-0 | CSI | DEFL | in | (loc) | l/defl | L/d | PLATES | GRIP | |
|--------------|-----------|-----------------|-----------------|------------|------|----------|-------|--------|------|--------|----------------|----------|
| TCLL (roof) | 20.0 | Plate Grip DOL | 1.15 | TC | 0.52 | Vert(LL) | -0.03 | 9 | >999 | 240 | MT20 | 244/190 |
| Snow (Pf/Pg) | 13.9/20.0 | Lumber DOL | 1.15 | BC | 0.99 | Vert(CT) | -0.40 | 9-10 | >715 | 180 | | |
| TCDL | 10.0 | Rep Stress Incr | YES | WB | 0.66 | Horz(CT) | 0.04 | 8 | n/a | n/a | | |
| BCLL | 0.0* | Code | IRC2018/TPI2014 | Matrix-MSH | | | | | | | | |
| BCDL | 10.0 | | | | | | | | | | | |
| | | | | | | | | | | | Weight: 138 lb | FT = 20% |

LUMBER
TOP CHORD 2x4 SP No.2
BOT CHORD 2x4 SP No.2
WEBS 2x4 SP No.2 *Except* W1:2x4 SP No.3

BRACING
TOP CHORD Structural wood sheathing directly applied or 5-5-0 oc purlins, except end verticals.
BOT CHORD Rigid ceiling directly applied or 2-2-0 oc bracing.

REACTIONS (lb/size) 8=847/0-3-8, (min. 0-1-8), 10=847/0-3-8, (min. 0-1-8)
Max Horiz 10=-160 (LC 11)
Max Grav 8=1004 (LC 2), 10=1004 (LC 2)

MiTek recommends that Stabilizers and required cross bracing be installed during truss erection, in accordance with Stabilizer Installation guide.

FORCES (lb) - Max. Comp./Max. Ten. - All forces 250 (lb) or less except when shown.
TOP CHORD 2-3=-547/76, 3-11=-947/129, 4-11=-839/149, 4-12=-839/149, 5-12=-947/129, 5-6=-547/76, 2-10=-479/110, 6-8=-479/110
BOT CHORD 9-10=-39/930, 8-9=-42/921
WEBS 4-9=-36/601, 5-9=-309/169, 3-9=-308/169, 3-10=-687/86, 5-8=-687/86

- NOTES**
- Unbalanced roof live loads have been considered for this design.
 - Wind: ASCE 7-16; Vult=130mph (3-second gust) Vasd=103mph; TCDL=6.0psf; BCDL=6.0psf; h=25ft; Cat. II; Exp B; Enclosed; MWFRS (envelope) and C-C Exterior(2E) -0-10-0 to 2-2-0, Interior (1) 2-2-0 to 11-11-8, Exterior(2R) 11-11-8 to 14-11-8, Interior (1) 14-11-8 to 24-9-0 zone; C-C for members and forces & MWFRS for reactions shown; Lumber DOL=1.60 plate grip DOL=1.33
 - TCLL: ASCE 7-16; Pr=20.0 psf (roof LL: Lum DOL=1.15 Plate DOL=1.15); Pg=20.0 psf; Pf=13.9 psf (Lum DOL=1.15 Plate DOL=1.15); Is=1.0; Rough Cat B; Fully Exp.; Ce=0.9; Cs=1.00; Ct=1.10
 - This truss has been designed for greater of min roof live load of 12.0 psf or 2.00 times flat roof load of 13.9 psf on overhangs non-concurrent with other live loads.
 - * This truss has been designed for a live load of 20.0psf on the bottom chord in all areas where a rectangle 3-06-00 tall by 2-00-00 wide will fit between the bottom chord and any other members.
 - This truss is designed in accordance with the 2018 International Residential Code sections R502.11.1 and R802.10.2 and referenced standard ANSI/TPI 1.

LOAD CASE(S) Standard

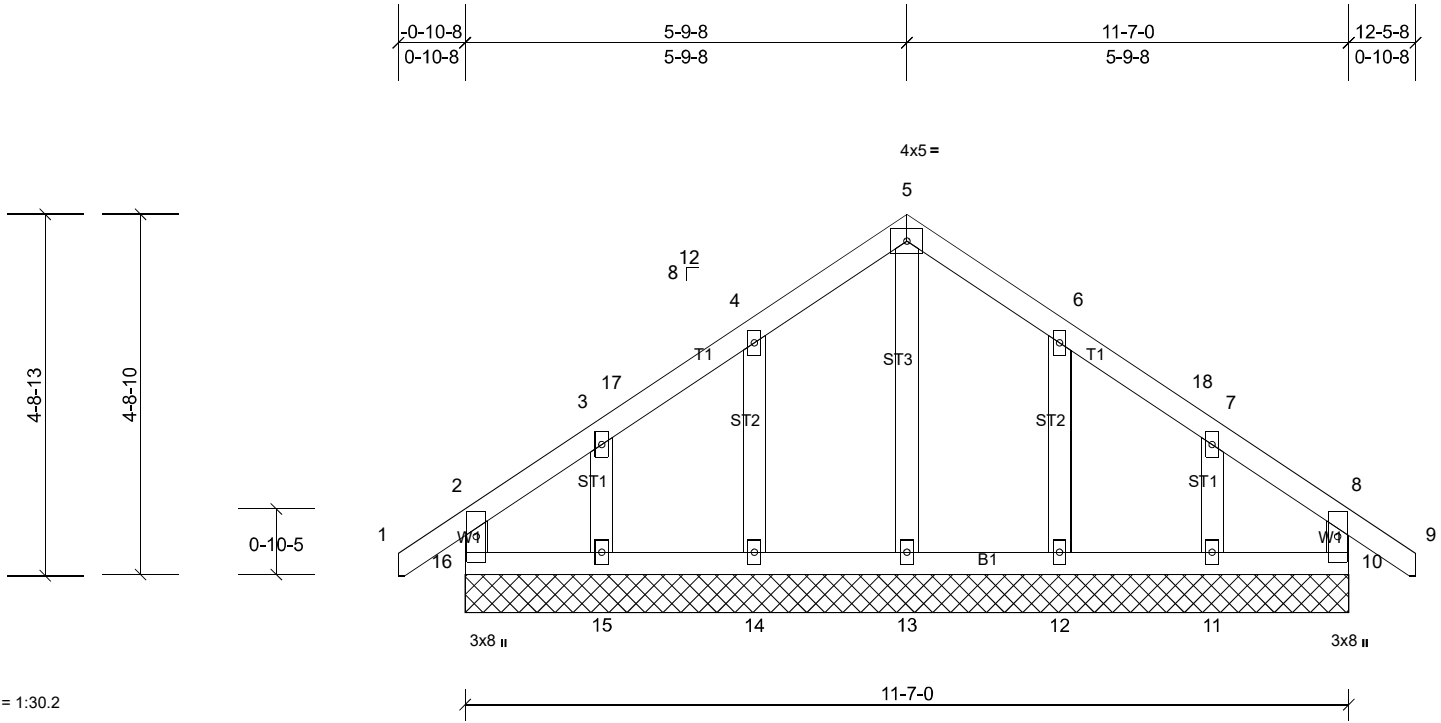
| | | | | | |
|-----------------|---------------|--------------------------------------|----------|----------|--|
| Job 20120029 | Truss T4GE | Truss Type Common Supported Gable | Qty 1 | Ply 1 | 4 Rosemont Job Reference (optional) |
|-----------------|---------------|--------------------------------------|----------|----------|--|

Carter Components - Sanford, Sanford, NC, user

Run: 8.41 S Oct 26 2020 Print: 8.410 S Oct 26 2020 MiTek Industries, Inc. Thu Dec 31 10:44:55

Page: 1

ID:2DkrjD8d4beCOEuxDT4VVny3VXF-kOpr0aL9ZAWsrH1BRxsDvvB1GBOS48aqfPP419y3UM6



Scale = 1:30.2

Plate Offsets (X, Y): [10:0-1-8,0-0-4]

| Loading | (psf) | Spacing | 2-0-0 | CSI | DEFL | in | (loc) | l/defl | L/d | PLATES | GRIP | |
|--------------|-----------|-----------------|-----------------|-----------|------|----------|-------|--------|-----|--------|---------------|----------|
| TCLL (roof) | 20.0 | Plate Grip DOL | 1.15 | TC | 0.12 | Vert(LL) | n/a | - | n/a | 999 | MT20 | 244/190 |
| Snow (Pf/Pg) | 13.9/20.0 | Lumber DOL | 1.15 | BC | 0.03 | Vert(CT) | n/a | - | n/a | 999 | | |
| TCDL | 10.0 | Rep Stress Incr | YES | WB | 0.05 | Horz(CT) | 0.00 | 10 | n/a | n/a | | |
| BCLL | 0.0* | Code | IRC2018/TPI2014 | Matrix-MR | | | | | | | | |
| BCDL | 10.0 | | | | | | | | | | | |
| | | | | | | | | | | | Weight: 62 lb | FT = 20% |

LUMBER
TOP CHORD 2x4 SP No.2
BOT CHORD 2x4 SP No.2
WEBS 2x4 SP No.3
OTHERS 2x4 SP No.3

BRACING
TOP CHORD Structural wood sheathing directly applied or 6-0-0 oc purlins, except end verticals.
BOT CHORD Rigid ceiling directly applied or 6-0-0 oc bracing.

REACTIONS All bearings 11-7-0.
(lb) - Max Horiz 16=83 (LC 12)
Max Uplift All uplift 100 (lb) or less at joint(s) 10, 11, 12, 14, 15, 16
Max Grav All reactions 250 (lb) or less at joint(s) 10, 11, 12, 13, 14, 15, 16

MiTek recommends that Stabilizers and required cross bracing be installed during truss erection, in accordance with Stabilizer Installation guide.

FORCES (lb) - Max. Comp./Max. Ten. - All forces 250 (lb) or less except when shown.

- NOTES**
- Unbalanced roof live loads have been considered for this design.
 - Wind: ASCE 7-16; Vult=130mph (3-second gust) Vasd=103mph; TCDL=6.0psf; BCDL=6.0psf; h=25ft; Cat. II; Exp B; Enclosed; MWFRS (envelope) and C-C Corner(3E) -0-10-0 to 2-2-0, Exterior(2N) 2-2-0 to 5-9-8, Corner(3R) 5-9-8 to 8-9-8, Exterior(2N) 8-9-8 to 12-5-0 zone; C-C for members and forces & MWFRS for reactions shown; Lumber DOL=1.60 plate grip DOL=1.33
 - Truss designed for wind loads in the plane of the truss only. For studs exposed to wind (normal to the face), see Standard Industry Gable End Details as applicable, or consult qualified building designer as per ANSI/TPI 1.
 - TCLL: ASCE 7-16; Pr=20.0 psf (roof LL: Lum DOL=1.15 Plate DOL=1.15); Pg=20.0 psf; Pf=13.9 psf (Lum DOL=1.15 Plate DOL=1.15); Is=1.0; Rough Cat B; Fully Exp.; Ce=0.9; Cs=1.00; Ct=1.10
 - This truss has been designed for greater of min roof live load of 12.0 psf or 2.00 times flat roof load of 13.9 psf on overhangs non-concurrent with other live loads.
 - All plates are 2x4 MT20 unless otherwise indicated.
 - Gable requires continuous bottom chord bearing.
 - Truss to be fully sheathed from one face or securely braced against lateral movement (i.e. diagonal web).
 - Gable studs spaced at 2-0-0 oc.
 - * This truss has been designed for a live load of 20.0psf on the bottom chord in all areas where a rectangle 3-06-00 tall by 2-00-00 wide will fit between the bottom chord and any other members.
 - One RT7A USP connectors recommended to connect truss to bearing walls due to UPLIFT at jt(s) 16, 10, 14, 15, 12, and 11. This connection is for uplift only and does not consider lateral forces.
 - This truss is designed in accordance with the 2018 International Residential Code sections R502.11.1 and R802.10.2 and referenced standard ANSI/TPI 1.

LOAD CASE(S) Standard

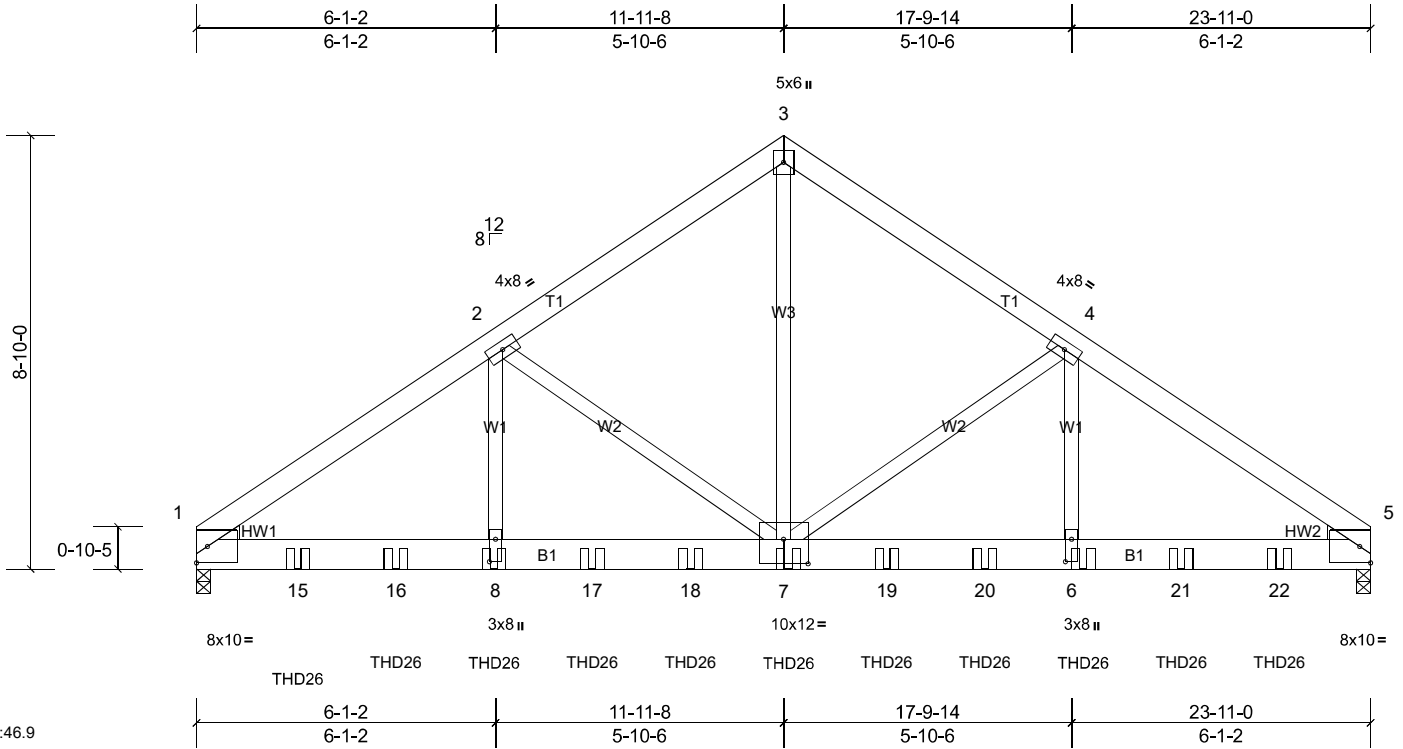
| | | | | | |
|-----------------|---------------|-----------------------------|----------|----------|--|
| Job 20120029 | Truss T4GR | Truss Type Common Girder | Qty 1 | Ply 3 | 4 Rosemont Job Reference (optional) |
|-----------------|---------------|-----------------------------|----------|----------|--|

Carter Components - Sanford, Sanford, NC, user

Run: 8.41 S Oct 26 2020 Print: 8.410 S Oct 26 2020 MiTek Industries, Inc. Thu Dec 31 10:44:56

Page: 1

ID: a1iu3hLgJWfwJi709qNF99y3VX?-kOpr0aL9ZAWsrH1BRxsDvvB_7BlI4w7qfPP419y3UM6



Scale = 1:46.9

Plate Offsets (X, Y): [6:0-5-8,0-1-8], [7:0-6-0,0-6-0], [8:0-5-8,0-1-8]

| Loading | (psf) | Spacing | 2-0-0 | CSI | 0.32 | DEFL | in | (loc) | l/defl | L/d | PLATES | GRIP |
|--------------|-----------|-----------------|-----------------|------------|------|----------|-------|-------|--------|-----|----------------|----------|
| TCLL (roof) | 20.0 | Plate Grip DOL | 1.15 | TC | 0.32 | Vert(LL) | -0.11 | 7-8 | >999 | 240 | MT20 | 244/190 |
| Snow (Pf/Pg) | 13.9/20.0 | Lumber DOL | 1.15 | BC | 0.40 | Vert(CT) | -0.22 | 7-8 | >999 | 180 | | |
| TCDL | 10.0 | Rep Stress Incr | NO | WB | 0.91 | Horz(CT) | 0.05 | 5 | n/a | n/a | | |
| BCLL | 0.0* | Code | IRC2018/TPI2014 | Matrix-MSH | | | | | | | | |
| BCDL | 10.0 | | | | | | | | | | | |
| | | | | | | | | | | | Weight: 560 lb | FT = 20% |

LUMBER
TOP CHORD 2x6 SP No.2
BOT CHORD 2x8 SP 2400F 2.0E
WEBS 2x4 SP No.2 *Except* W1:2x4 SP No.3
WEDGE Left: 2x4 SP No.3
Right: 2x4 SP No.3

BRACING
TOP CHORD Structural wood sheathing directly applied or 6'-0-0 oc purlins.
BOT CHORD Rigid ceiling directly applied or 10'-0-0 oc bracing.

REACTIONS (lb/size) 1=8043/0-3-8, (min. 0-2-15), 5=8135/0-3-8, (min. 0-2-15)
Max Horiz 1=-150 (LC 5)
Max Grav 1=10584 (LC 20), 5=10708 (LC 21)

FORCES (lb) - Max. Comp./Max. Ten. - All forces 250 (lb) or less except when shown.
TOP CHORD 1-2=-14837/0, 2-3=-10497/0, 3-4=-10497/0, 4-5=-14836/0
BOT CHORD 1-15=0/12327, 15-16=0/12327, 8-16=0/12327, 8-17=0/12327, 17-18=0/12327, 7-18=0/12327, 7-19=0/12221,
19-20=0/12221, 6-20=0/12221, 6-21=0/12221, 21-22=0/12221, 5-22=0/12221
WEBS 2-8=0/4846, 2-7=-4441/0, 3-7=0/11131, 4-7=-4441/0, 4-6=0/4844

- NOTES**
- 3-ply truss to be connected together with 10d (0.131"x3") nails as follows:
Top chords connected as follows: 2x6 - 2 rows staggered at 0-9-0 oc.
Bottom chords connected as follows: 2x8 - 4 rows staggered at 0-9-0 oc.
Web connected as follows: 2x4 - 1 row at 0-9-0 oc.
 - All loads are considered equally applied to all plies, except if noted as front (F) or back (B) face in the LOAD CASE(S) section. Ply to ply connections have been provided to distribute only loads noted as (F) or (B), unless otherwise indicated.
 - Unbalanced roof live loads have been considered for this design.
 - Wind: ASCE 7-16; Vult=130mph (3-second gust) Vasd=103mph; TCCL=6.0psf; BCDL=6.0psf; h=25ft; Cat. II; Exp B; Enclosed; MWFRS (envelope); Lumber DOL=1.60 plate grip DOL=1.33
 - TCLL: ASCE 7-16; Pr=20.0 psf (roof LL: Lum DOL=1.15 Plate DOL=1.15); Pg=20.0 psf; Pf=13.9 psf (Lum DOL=1.15 Plate DOL=1.15); Is=1.0; Rough Cat B; Fully Exp.; Ce=0.9; Cs=1.00; Ct=1.10
 - * This truss has been designed for a live load of 20.0psf on the bottom chord in all areas where a rectangle 3'-06"-00 tall by 2'-00"-00 wide will fit between the bottom chord and any other members.
 - This truss is designed in accordance with the 2018 International Residential Code sections R502.11.1 and R802.10.2 and referenced standard ANSI/TPI 1.
 - Use USP THD26 (With 18-16d nails into Girder & 12-10d x 1-1/2 nails into Truss) or equivalent spaced at 2'-0-0 oc max. starting at 2'-0-12 from the left end to 22'-0-12 to connect truss(es) T5A (1 ply 2x6 SP) to back face of bottom chord.
 - Fill all nail holes where hanger is in contact with lumber.

LOAD CASE(S) Standard
1) Dead + Snow (balanced): Lumber Increase=1.15, Plate Increase=1.15
Uniform Loads (lb/ft)
Vert: 1-3=-48, 3-5=-48, 9-12=-20
Concentrated Loads (lb)

| | | | | | |
|-----------------|---------------|-----------------------------|----------|----------|--|
| Job 20120029 | Truss T4GR | Truss Type Common Girder | Qty 1 | Ply 3 | 4 Rosemont Job Reference (optional) |
|-----------------|---------------|-----------------------------|----------|----------|--|

Carter Components - Sanford, Sanford, NC, user

Run: 8.41 S Oct 26 2020 Print: 8.410 S Oct 26 2020 MiTek Industries, Inc. Thu Dec 31 10:44:56

Page: 2

ID: a1iu3hLgJWfwji709qNF99y3VX?-kOpr0aL9ZAWsrH1BRxsDvvB_7BlI4w7qfPP419y3UM6

Vert: 8=-1324 (B), 7=-1324 (B), 6=-1324 (B), 15=-1324 (B), 16=-1324 (B), 17=-1324 (B), 18=-1324 (B), 19=-1324 (B), 20=-1324 (B), 21=-1324 (B), 22=-1324 (B)

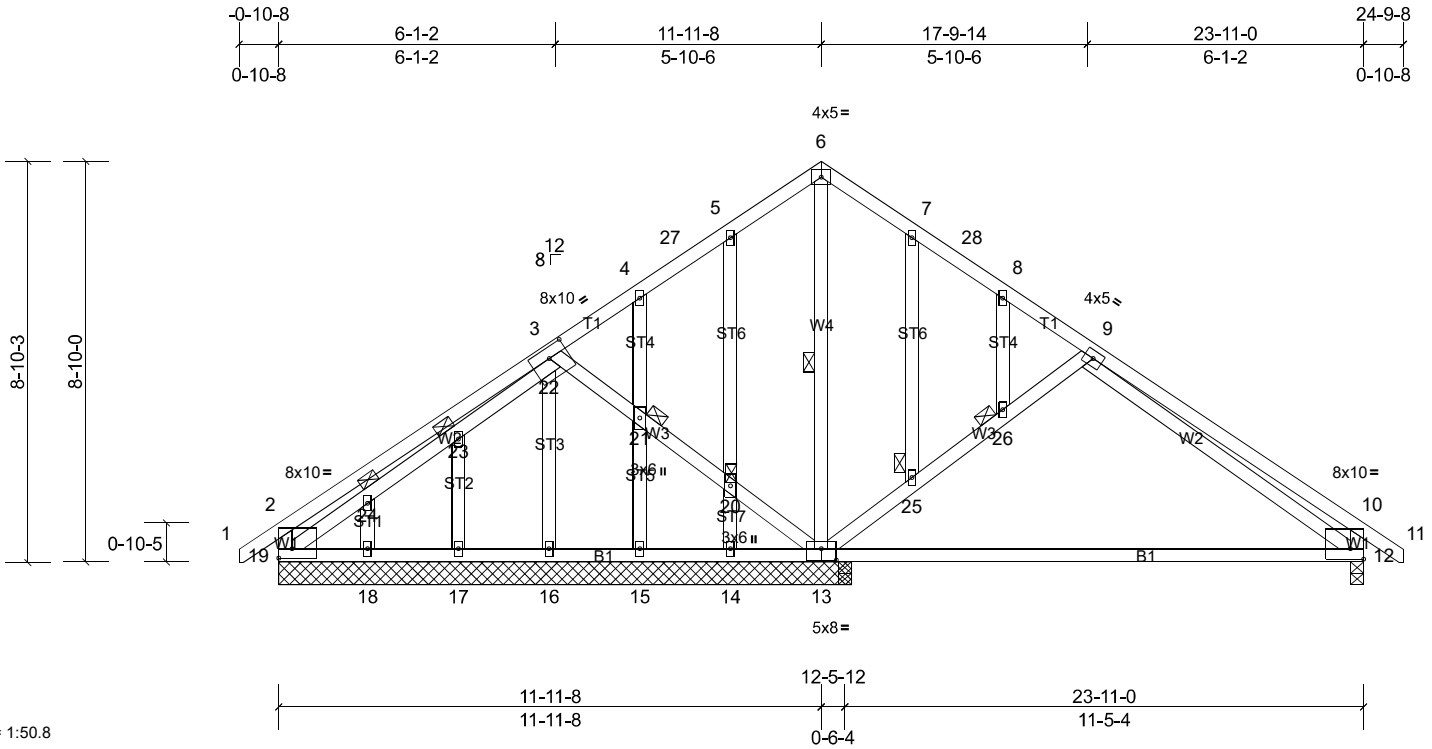
| | | | | | |
|-----------------|---------------|---------------------------------------|----------|----------|--|
| Job 20120029 | Truss T4SE | Truss Type Common Structural Gable | Qty 1 | Ply 1 | 4 Rosemont Job Reference (optional) |
|-----------------|---------------|---------------------------------------|----------|----------|--|

Carter Components - Sanford, Sanford, NC, user

Run: 8.41 S Oct 26 2020 Print: 8.410 S Oct 26 2020 MiTek Industries, Inc. Thu Dec 31 10:44:56

Page: 1

ID: tM56zGD0gROL69M5ZjBvl2y3VX9-DaNDdWmNKTjSRcO_eNSS6j5QaYKpYF_t39eaby3UM5



Scale = 1:50.8

Plate Offsets (X, Y): [2:Edge,0-2-8], [3:0-5-0,0-2-12], [10:Edge,0-2-12], [13:0-4-0,0-3-0]

| Loading | (psf) | Spacing | 2-0-0 | CSI | 0.54 | DEFL | in (loc) | l/defl | L/d | PLATES | GRIP |
|--------------|-----------|-----------------|-----------------|------------|------|----------|-------------|--------|-----|--------|-------------------------|
| TCLL (roof) | 20.0 | Plate Grip DOL | 1.15 | TC | 0.54 | Vert(LL) | 0.00 12-13 | >999 | 240 | MT20 | 244/190 |
| Snow (Pf/Pg) | 13.9/20.0 | Lumber DOL | 1.15 | BC | 0.82 | Vert(CT) | -0.43 12-13 | >329 | 180 | | |
| TCDL | 10.0 | Rep Stress Incr | YES | WB | 0.21 | Horz(CT) | 0.01 12 | n/a | n/a | | |
| BCLL | 0.0* | Code | IRC2018/TPI2014 | Matrix-MSH | | | | | | | |
| BCDL | 10.0 | | | | | | | | | | |
| | | | | | | | | | | | Weight: 180 lb FT = 20% |

LUMBER
TOP CHORD 2x4 SP No.2
BOT CHORD 2x4 SP No.2
WEBS 2x4 SP No.2 *Except* W1:2x4 SP No.3
OTHERS 2x4 SP No.3 *Except* ST6:2x4 SP No.2

BRACING
TOP CHORD Structural wood sheathing directly applied or 6'-0" oc purlins, except end verticals.
BOT CHORD Rigid ceiling directly applied or 10'-0" oc bracing.
WEBS 1 Row at midpt 6-13
JOINTS 1 Brace at Jt(s): 20, 21, 23, 24, 25, 26

REACTIONS All bearings 12-7-8. except 12=0-3-8
(lb) - Max Horiz 19=160 (LC 12)
Max Uplift All uplift 100 (lb) or less at joint(s) 12, 19 except 14=171 (LC 17)
Max Grav All reactions 250 (lb) or less at joint(s) 14, 15, 16, 17, 18 except 12=509 (LC 2), 13=841 (LC 2), 19=317 (LC 31)

MiTek recommends that Stabilizers and required cross bracing be installed during truss erection, in accordance with Stabilizer Installation guide.

FORCES (lb) - Max. Comp./Max. Ten. - All forces 250 (lb) or less except when shown.
TOP CHORD 2-3=-294/167, 9-10=-505/67, 2-19=-343/162, 10-12=-451/106
BOT CHORD 12-13=0/278
WEBS 13-25=-389/184, 25-26=-350/163, 9-26=-353/164

- NOTES**
- Unbalanced roof live loads have been considered for this design.
 - Wind: ASCE 7-16; Vult=130mph (3-second gust) Vasd=103mph; TCDL=6.0psf; BCDL=6.0psf; h=25ft; Cat. II; Exp B; Enclosed; MWFRS (envelope) and C-C Exterior(2E) -0-10-0 to 2-2-0, Interior (1) 2-2-0 to 11-11-8, Exterior(2R) 11-11-8 to 14-11-8, Interior (1) 14-11-8 to 24-9-0 zone;C-C for members and forces & MWFRS for reactions shown; Lumber DOL=1.60 plate grip DOL=1.33
 - Truss designed for wind loads in the plane of the truss only. For studs exposed to wind (normal to the face), see Standard Industry Gable End Details as applicable, or consult qualified building designer as per ANSI/TPI 1.
 - TCLL: ASCE 7-16; Pr=20.0 psf (roof LL: Lum DOL=1.15 Plate DOL=1.15); Pg=20.0 psf, Pf=13.9 psf (Lum DOL=1.15 Plate DOL=1.15); Is=1.0; Rough Cat B; Fully Exp.; Ce=0.9; Cs=1.00; Ct=1.10
 - This truss has been designed for greater of min roof live load of 12.0 psf or 2.00 times flat roof load of 13.9 psf on overhangs non-concurrent with other live loads.
 - All plates are 2x4 MT20 unless otherwise indicated.
 - Gable studs spaced at 2'-0" oc.
 - * This truss has been designed for a live load of 20.0psf on the bottom chord in all areas where a rectangle 3'-06"-00 tall by 2'-00"-00 wide will fit between the bottom chord and any other members.
 - One RT7A USP connectors recommended to connect truss to bearing walls due to UPLIFT at jt(s) 19, 12, and 14. This connection is for uplift only and does not consider lateral forces.
 - This truss is designed in accordance with the 2018 International Residential Code sections R502.11.1 and R802.10.2 and referenced standard ANSI/TPI 1.

LOAD CASE(S) Standard

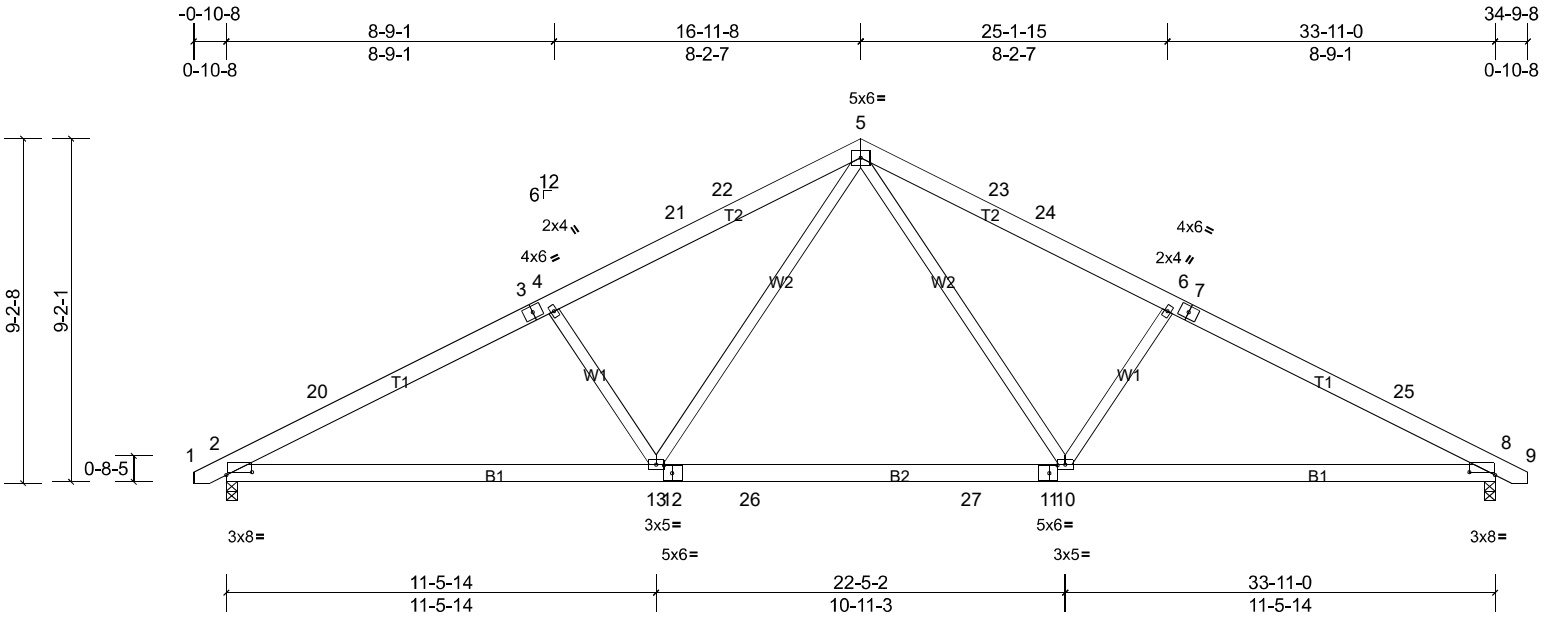
| | | | | | |
|-----------------|-------------|----------------------|----------|----------|--|
| Job 20120029 | Truss T5 | Truss Type Common | Qty 5 | Ply 1 | 4 Rosemont Job Reference (optional) |
|-----------------|-------------|----------------------|----------|----------|--|

Carter Components - Sanford, Sanford, NC, user

Run: 8.41 S Oct 26 2020 Print: 8.410 S Oct 26 2020 MiTek Industries, Inc. Thu Dec 31 10:44:56

Page: 1

ID:LZfUBcE1RIWCKJwH7Rj8HFy3VX8-DaNDdWmNkTfjSRcO_eNSS6j7VaZHpxF_t39eaby3UM5



Scale = 1:61.6

Plate Offsets (X, Y): [2:0-8-4,0-0-15], [8:0-8-4,0-0-15], [11:0-2-10,0-2-8], [12:0-2-10,0-2-8]

| Loading | (psf) | Spacing | 2-0-0 | CSI | | DEFL | in | (loc) | l/defl | L/d | PLATES | GRIP |
|--------------|-----------|-----------------|-----------------|------------|------|----------|-------|-------|--------|-----|----------------|----------|
| TCLL (roof) | 20.0 | Plate Grip DOL | 1.15 | TC | 0.41 | Vert(LL) | -0.19 | 10-13 | >999 | 240 | MT20 | 244/190 |
| Snow (Pf/Pg) | 13.9/20.0 | Lumber DOL | 1.15 | BC | 0.76 | Vert(CT) | -0.30 | 10-13 | >999 | 180 | | |
| TCDL | 10.0 | Rep Stress Incr | YES | WB | 0.28 | Horz(CT) | 0.06 | 8 | n/a | n/a | | |
| BCLL | 0.0* | Code | IRC2018/TPI2014 | Matrix-MSH | | | | | | | | |
| BCDL | 10.0 | | | | | | | | | | Weight: 217 lb | FT = 20% |

LUMBER
 TOP CHORD 2x6 SP No.2
 BOT CHORD 2x6 SP No.2
 WEBS 2x4 SP No.2 *Except* W1:2x4 SP No.3

BRACING
 TOP CHORD
 BOT CHORD

Structural wood sheathing directly applied or 4-4-14 oc purlins.
 Rigid ceiling directly applied or 10-0-0 oc bracing.

MiTek recommends that Stabilizers and required cross bracing be installed during truss erection, in accordance with Stabilizer Installation guide.

REACTIONS (lb/size) 2=1180/0-3-8, (min. 0-1-13), 8=1180/0-3-8, (min. 0-1-13)
 Max Horiz 2=90 (LC 14)
 Max Grav 2=1519 (LC 3), 8=1519 (LC 3)

FORCES (lb) - Max. Comp./Max. Ten. - All forces 250 (lb) or less except when shown.
 TOP CHORD 2-20=-2530/209, 3-20=-2452/246, 3-4=-2349/248, 4-21=-2308/249, 21-22=-2207/253, 5-22=-2198/274, 5-23=-2198/274,
 23-24=-2207/253, 6-24=-2308/249, 6-7=-2349/248, 7-25=-2452/246, 8-25=-2530/209
 BOT CHORD 2-13=-123/2227, 12-13=0/1481, 12-26=0/1481, 26-27=0/1481, 11-27=0/1481, 10-11=0/1481, 8-10=-122/2193
 WEBS 5-10=-41/966, 6-10=-505/199, 5-13=-41/966, 4-13=-505/199

- NOTES**
- Unbalanced roof live loads have been considered for this design.
 - Wind: ASCE 7-16; Vult=130mph (3-second gust) Vasd=103mph; TCDL=6.0psf; BCDL=6.0psf; h=25ft; Cat. II; Exp B; Enclosed; MWFRS (envelope) and C-C Exterior(2E) -0-7-14 to 2-8-14, Interior (1) 2-8-14 to 16-11-8, Exterior(2R) 16-11-8 to 20-4-3, Interior (1) 20-4-3 to 34-6-14 zone;C-C for members and forces & MWFRS for reactions shown; Lumber DOL=1.60 plate grip DOL=1.33
 - TCLL: ASCE 7-16; Pr=20.0 psf (roof LL: Lum DOL=1.15 Plate DOL=1.15); Pg=20.0 psf; Pf=13.9 psf (Lum DOL=1.15 Plate DOL=1.15); Is=1.0; Rough Cat B; Fully Exp.; Ce=0.9; Cs=1.00; Ct=1.10
 - Unbalanced snow loads have been considered for this design.
 - This truss has been designed for greater of min roof live load of 12.0 psf or 2.00 times flat roof load of 13.9 psf on overhangs non-concurrent with other live loads.
 - * This truss has been designed for a live load of 20.0psf on the bottom chord in all areas where a rectangle 3-06-00 tall by 2-00-00 wide will fit between the bottom chord and any other members, with BCDL = 10.0psf.
 - This truss is designed in accordance with the 2018 International Residential Code sections R502.11.1 and R802.10.2 and referenced standard ANSI/TPI 1.

LOAD CASE(S) Standard

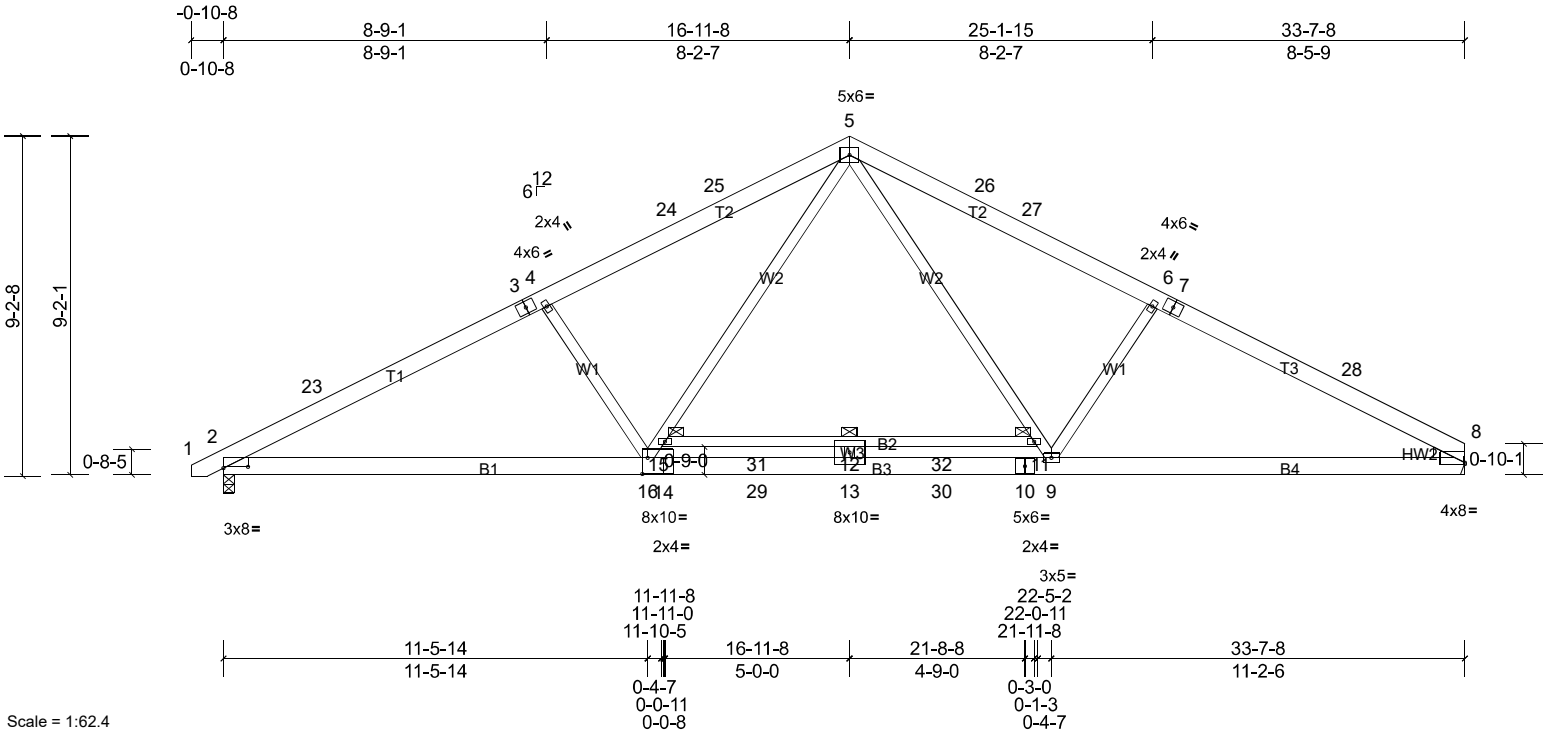
| | | | | | |
|-----------------|--------------|----------------------|-----------|----------|--|
| Job 20120029 | Truss T5A | Truss Type Common | Qty 11 | Ply 1 | 4 Rosemont Job Reference (optional) |
|-----------------|--------------|----------------------|-----------|----------|--|

Carter Components - Sanford, Sanford, NC, user

Run: 8.41 S Oct 26 2020 Print: 8.410 S Oct 26 2020 MiTek Industries, Inc. Thu Dec 31 10:44:56

Page: 1

ID:WTNEKH9FH9Vr4Pfw_IJ_Jy3VX3-DaNDDwMnKTfjSRcO_eNSS6j5SabWpUU_t39eaby3UM5



Scale = 1:62.4

Plate Offsets (X, Y): [2:0-8-0,0-0-7], [8:Edge,0-0-7], [14:0-1-12,0-5-4]

| Loading | (psf) | Spacing | 2-0-0 | CSI | 0.54 | DEFL | in (loc) | l/defl | L/d | PLATES | GRIP | |
|--------------|-----------|-----------------|-----------------|------------|------|----------|----------|--------|------|--------|----------------|----------|
| TCLL (roof) | 20.0 | Plate Grip DOL | 1.15 | TC | 0.54 | Vert(LL) | -0.27 | 12 | >999 | 240 | MT20 | 244/190 |
| Snow (Pf/Pg) | 13.9/20.0 | Lumber DOL | 1.15 | BC | 0.62 | Vert(CT) | -0.57 | 12 | >714 | 180 | | |
| TCDL | 10.0 | Rep Stress Incr | YES | WB | 0.45 | Horz(CT) | 0.07 | 8 | n/a | n/a | | |
| BCLL | 0.0* | Code | IRC2018/TPI2014 | Matrix-MSH | | | | | | | | |
| BCDL | 10.0 | | | | | | | | | | | |
| | | | | | | | | | | | Weight: 230 lb | FT = 20% |

LUMBER

TOP CHORD 2x6 SP No.2
 BOT CHORD 2x6 SP 2400F 2.0E *Except* B2:2x4 SP No.2
 WEBS 2x4 SP No.3 *Except* W2:2x4 SP No.2
 WEDGE Right: 2x4 SP No.3

BRACING

TOP CHORD
 BOT CHORD

Structural wood sheathing directly applied or 3-8-4 oc purlins.
 Rigid ceiling directly applied or 10-0-0 oc bracing. Except:
 6-0-0 oc bracing: 11-15

REACTIONS (lb/size) 2=1372/0-3-8, (min. 0-1-8), 8=1344/ Mechanical, (min. 0-1-8)
 Max Horiz 2=92 (LC 12)
 Max Grav 2=1815 (LC 3), 8=1788 (LC 3)

MiTek recommends that Stabilizers and required cross bracing be installed during truss erection, in accordance with Stabilizer Installation guide.

FORCES (lb) - Max. Comp./Max. Ten. - All forces 250 (lb) or less except when shown.
 TOP CHORD 2-23=-3213/0, 3-23=-3122/0, 3-4=-3033/0, 4-24=-2995/0, 24-25=-2899/0, 5-25=-2884/0, 5-26=-2826/0, 26-27=-2844/0,
 6-27=-2937/0, 6-7=-2970/0, 7-28=-3045/0, 8-28=-3151/0
 BOT CHORD 2-16=0/2823, 14-16=0/2113, 14-29=0/2113, 13-29=0/2113, 13-30=0/2113, 10-30=0/2113, 9-10=0/2113, 8-9=0/2723
 WEBS 5-11=0/1261, 9-11=0/1060, 6-9=-451/218, 15-16=0/1148, 5-15=0/1353, 4-16=-479/216, 12-13=-276/0

NOTES

- Unbalanced roof live loads have been considered for this design.
- Wind: ASCE 7-16; Vult=130mph (3-second gust) Vasd=103mph; TCDL=6.0psf; BCDL=6.0psf; h=25ft; Cat. II; Exp B; Enclosed; MWFRS (envelope) and C-C Exterior(2E) -0-7-14 to 2-8-8; Interior (1) 2-8-8 to 16-11-8, Exterior(2R) 16-11-8 to 20-3-14, Interior (1) 20-3-14 to 33-7-8 zone; C-C for members and forces & MWFRS for reactions shown; Lumber DOL=1.60 plate grip DOL=1.33
- TCLL: ASCE 7-16; Pr=20.0 psf (roof LL: Lum DOL=1.15 Plate DOL=1.15); Pg=20.0 psf; Pf=13.9 psf (Lum DOL=1.15 Plate DOL=1.15); Is=1.0; Rough Cat B; Fully Exp.; Ce=0.9; Cs=1.00; Ct=1.10
- Unbalanced snow loads have been considered for this design.
- This truss has been designed for greater of min roof live load of 12.0 psf or 2.00 times flat roof load of 13.9 psf on overhangs non-concurrent with other live loads.
- 200.0lb AC unit load placed on the bottom chord, 16-11-8 from left end, supported at two points, 5-0-0 apart.
- * This truss has been designed for a live load of 20.0psf on the bottom chord in all areas where a rectangle 3-06-00 tall by 2-00-00 wide will fit between the bottom chord and any other members, with BCDL = 10.0psf.
- Refer to girder(s) for truss to truss connections.
- This truss is designed in accordance with the 2018 International Residential Code sections R502.11.1 and R802.10.2 and referenced standard ANSI/TPI 1.

LOAD CASE(S) Standard

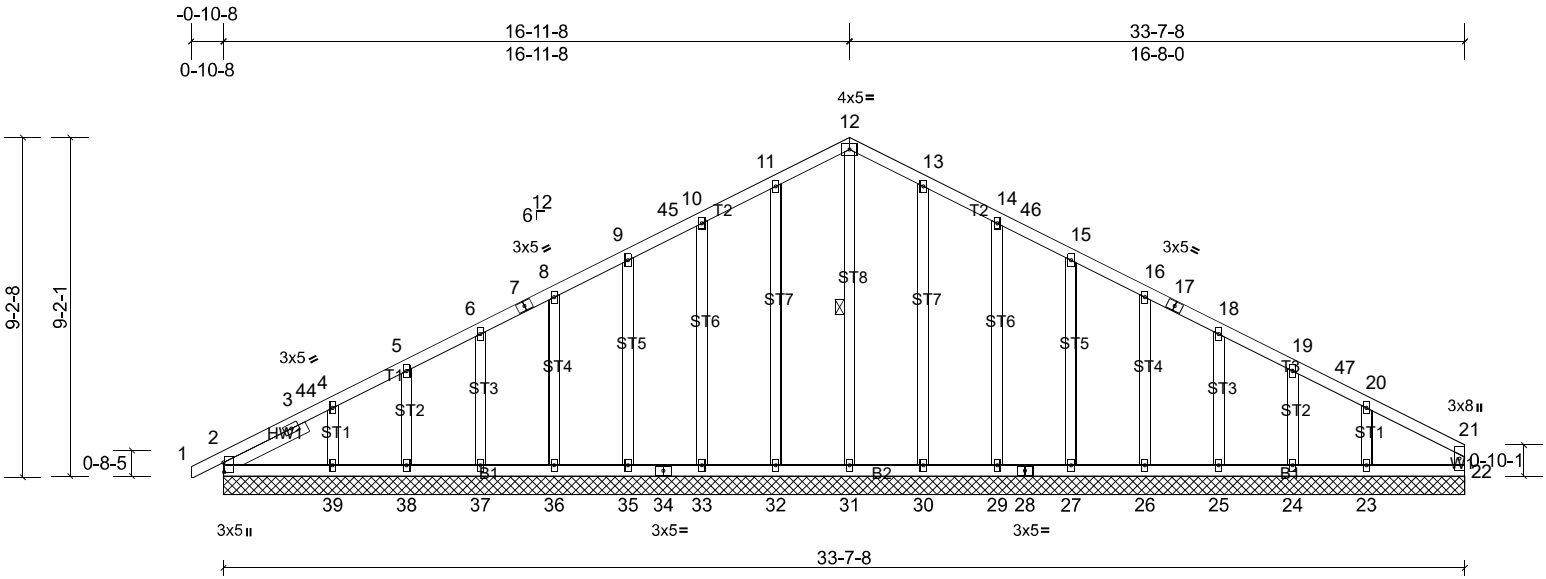
| | | | | | |
|-----------------|----------------|--------------------------------------|----------|----------|--|
| Job 20120029 | Truss T5AGE | Truss Type Common Supported Gable | Qty 1 | Ply 1 | 4 Rosemont Job Reference (optional) |
|-----------------|----------------|--------------------------------------|----------|----------|--|

Carter Components - Sanford, Sanford, NC, user

Run: 8.41 S Oct 26 2020 Print: 8.410 S Oct 26 2020 MiTek Industries, Inc. Thu Dec 31 10:44:57

Page: 1

ID:plDIoyEFC3e3MTVUh8ENqTy3VX7-hmxbRGMP5nna4bBaYMUh_KGN9_4QY??76iuB62y3UM4



Scale = 1:62.4

Plate Offsets (X, Y): [2:0-3-2,0-0-4]

| Loading | (psf) | Spacing | 2-0-0 | CSI | 0.09 | DEFL | in | (loc) | l/defl | L/d | PLATES | GRIP |
|--------------|-----------|-----------------|-----------------|------------|------|----------|------|-------|--------|-----|----------------|----------|
| TCLL (roof) | 20.0 | Plate Grip DOL | 1.15 | TC | 0.09 | Vert(LL) | n/a | - | n/a | 999 | MT20 | 244/190 |
| Snow (Pf/Pg) | 13.9/20.0 | Lumber DOL | 1.15 | BC | 0.06 | Vert(CT) | n/a | - | n/a | 999 | | |
| TCDL | 10.0 | Rep Stress Incr | YES | WB | 0.18 | Horz(CT) | 0.00 | 22 | n/a | n/a | | |
| BCLL | 0.0* | Code | IRC2018/TPI2014 | Matrix-MSH | | | | | | | | |
| BCDL | 10.0 | | | | | | | | | | | |
| | | | | | | | | | | | Weight: 221 lb | FT = 20% |

LUMBER

| | |
|-----------|--|
| TOP CHORD | 2x4 SP No.2 |
| BOT CHORD | 2x4 SP No.2 |
| WEBS | 2x4 SP No.3 |
| OTHERS | 2x4 SP No.3 *Except* ST8,ST7,ST6,ST5:2x4 SP No.2 |
| SLIDER | Left 2x4 SP No.3 -- 2-6-0 |

BRACING

| | |
|-----------|---|
| TOP CHORD | Structural wood sheathing directly applied or 6-0-0 oc purlins, except end verticals. |
| BOT CHORD | Rigid ceiling directly applied or 10-0-0 oc bracing. |
| WEBS | 1 Row at midpt 12-31 |

MiTek recommends that Stabilizers and required cross bracing be installed during truss erection, in accordance with Stabilizer Installation guide.

REACTIONS All bearings 33-7-8.

- (lb) - Max Horiz 2=94 (LC 12), 40=94 (LC 31)
- Max Uplift All uplift 100 (lb) or less at joint(s) 2, 23, 24, 25, 26, 27, 29, 30, 32, 33, 35, 36, 37, 38, 39, 40
- Max Grav All reactions 250 (lb) or less at joint(s) 2, 22, 23, 24, 25, 26, 27, 29, 30, 31, 32, 33, 35, 36, 37, 38, 39, 40

FORCES

(lb) - Max. Comp./Max. Ten. - All forces 250 (lb) or less except when shown.

TOP CHORD 10-11=-109/261, 11-12=-127/303, 12-13=-127/303, 13-14=-109/261

NOTES

- Unbalanced roof live loads have been considered for this design.
- Wind: ASCE 7-16; Vult=130mph (3-second gust) Vasd=103mph; TCDL=6.0psf; BCDL=6.0psf; h=25ft; Cat. II; Exp B; Enclosed; MWFRS (envelope) and C-C Corner(3E) -0-10-1 to 2-6-4, Exterior(2N) 2-6-4 to 16-11-8, Corner(3R) 16-11-8 to 20-3-14, Exterior(2N) 20-3-14 to 33-5-12 zone; C-C for members and forces & MWFRS for reactions shown; Lumber DOL=1.60 plate grip DOL=1.33
- Truss designed for wind loads in the plane of the truss only. For studs exposed to wind (normal to the face), see Standard Industry Gable End Details as applicable, or consult qualified building designer as per ANSI/TPI 1.
- TCLL: ASCE 7-16; Pr=20.0 psf (roof LL: Lum DOL=1.15 Plate DOL=1.15); Pg=20.0 psf; Pf=13.9 psf (Lum DOL=1.15 Plate DOL=1.15); Is=1.0; Rough Cat B; Fully Exp.; Ce=0.9; Cs=1.00; Ct=1.10
- Unbalanced snow loads have been considered for this design.
- This truss has been designed for greater of min roof live load of 12.0 psf or 2.00 times flat roof load of 13.9 psf on overhangs non-concurrent with other live loads.
- All plates are 2x4 MT20 unless otherwise indicated.
- Gable requires continuous bottom chord bearing.
- Gable studs spaced at 2-0-0 oc.
- * This truss has been designed for a live load of 20.0psf on the bottom chord in all areas where a rectangle 3-06-00 tall by 2-00-00 wide will fit between the bottom chord and any other members.
- One RT7A USP connectors recommended to connect truss to bearing walls due to UPLIFT at jt(s) 2, 32, 33, 35, 36, 37, 38, 39, 30, 29, 27, 26, 25, 24, and 23. This connection is for uplift only and does not consider lateral forces.
- This truss is designed in accordance with the 2018 International Residential Code sections R502.11.1 and R802.10.2 and referenced standard ANSI/TPI 1.

LOAD CASE(S) Standard

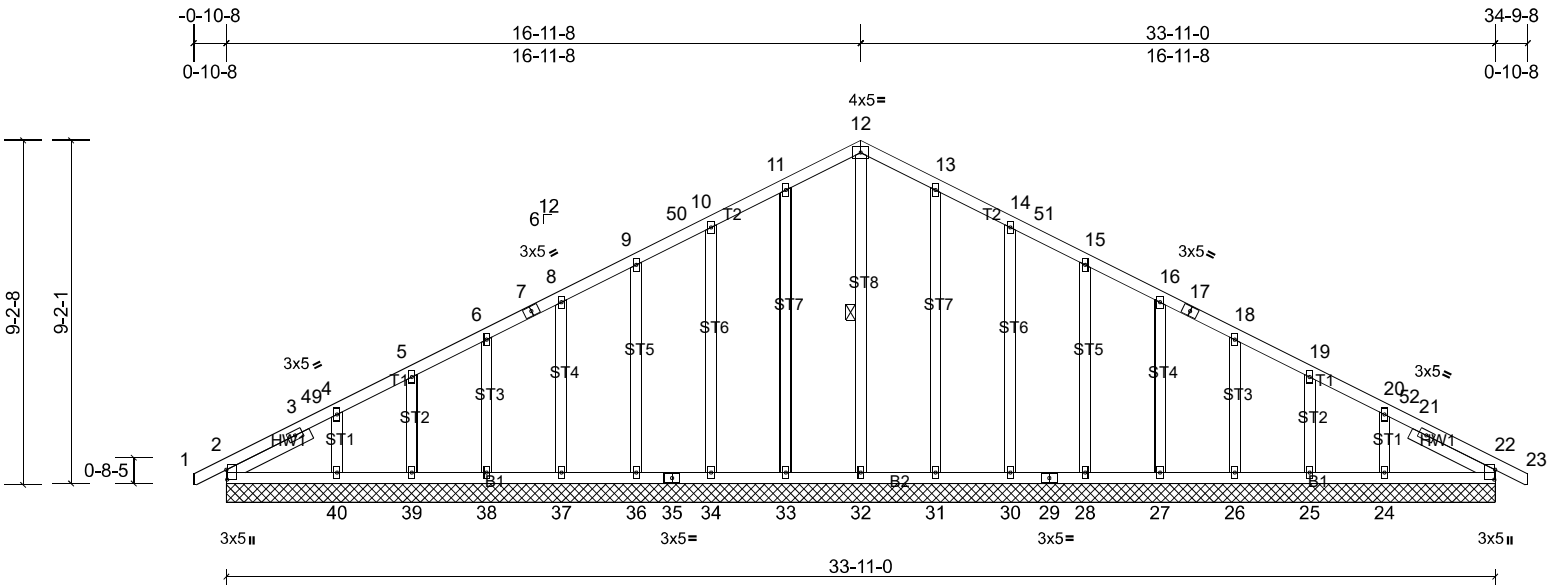
| | | | | | |
|-----------------|---------------|--------------------------------------|----------|----------|--|
| Job 20120029 | Truss T5GE | Truss Type Common Supported Gable | Qty 1 | Ply 1 | 4 Rosemont Job Reference (optional) |
|-----------------|---------------|--------------------------------------|----------|----------|--|

Carter Components - Sanford, Sanford, NC, user

Run: 8.41 S Oct 26 2020 Print: 8.410 S Oct 26 2020 MiTek Industries, Inc. Thu Dec 31 10:44:57

Page: 1

ID:8LdpeGvkgvmbnfsoZGrvuy3VX5-hmxbRGMP5nna4bBaYMuh_KGNM_3OY??76iuB62y3UM4



Scale = 1:61.6

Plate Offsets (X, Y): [2:0-3-2,0-0-4], [22:0-3-2,0-0-4]

| Loading | (psf) | Spacing | 2-0-0 | CSI | 0.08 | DEFL | in (loc) | l/defl | L/d | PLATES | GRIP | |
|--------------|-----------|-----------------|-----------------|------------|------|----------|----------|--------|-----|--------|----------------|----------|
| TCLL (roof) | 20.0 | Plate Grip DOL | 1.15 | TC | 0.08 | Vert(LL) | n/a | - | n/a | 999 | MT20 | 244/190 |
| Snow (Pf/Pg) | 13.9/20.0 | Lumber DOL | 1.15 | BC | 0.07 | Vert(CT) | n/a | - | n/a | 999 | | |
| TCDL | 10.0 | Rep Stress Incr | YES | WB | 0.18 | Horz(CT) | 0.01 | 22 | n/a | n/a | | |
| BCLL | 0.0* | Code | IRC2018/TPI2014 | Matrix-MSH | | | | | | | | |
| BCDL | 10.0 | | | | | | | | | | | |
| | | | | | | | | | | | Weight: 227 lb | FT = 20% |

LUMBER

TOP CHORD 2x4 SP No.2
 BOT CHORD 2x4 SP No.2
 OTHERS 2x4 SP No.3 *Except* ST8,ST7,ST6,ST5:2x4 SP No.2
 SLIDER Left 2x4 SP No.3 -- 2-6-0, Right 2x4 SP No.3 -- 2-6-0

BRACING

TOP CHORD Structural wood sheathing directly applied or 6-0-0 oc purlins.
 BOT CHORD Rigid ceiling directly applied or 10-0-0 oc bracing.
 WEBS 1 Row at midpt 12-32

MiTek recommends that Stabilizers and required cross bracing be installed during truss erection, in accordance with Stabilizer Installation guide.

REACTIONS All bearings 33-11-0.

(lb) - Max Horiz 2=91 (LC 14), 41=91 (LC 14)
 Max Uplift All uplift 100 (lb) or less at joint(s) 2, 24, 25, 26, 27, 28, 30, 31, 33, 34, 36, 37, 38, 39, 40, 41
 Max Grav All reactions 250 (lb) or less at joint(s) 2, 22, 24, 25, 26, 27, 28, 30, 31, 32, 33, 34, 36, 37, 38, 39, 40, 41, 45

FORCES (lb) - Max. Comp./Max. Ten. - All forces 250 (lb) or less except when shown.

TOP CHORD 11-12=-116/271, 12-13=-116/271

NOTES

- Unbalanced roof live loads have been considered for this design.
- Wind: ASCE 7-16; Vult=130mph (3-second gust) Vasd=103mph; TCCL=6.0psf; BCDL=6.0psf; h=25ft; Cat. II; Exp B; Enclosed; MWFRS (envelope) and C-C Corner(3E) -0-10-1 to 2-6-10, Exterior(2N) 2-6-10 to 16-11-8, Corner(3R) 16-11-8 to 20-4-3, Exterior(2N) 20-4-3 to 34-9-1 zone;C-C for members and forces & MWFRS for reactions shown; Lumber DOL=1.60 plate grip DOL=1.33
- Truss designed for wind loads in the plane of the truss only. For studs exposed to wind (normal to the face), see Standard Industry Gable End Details as applicable, or consult qualified building designer as per ANSI/TPI 1.
- TCLL: ASCE 7-16; Pr=20.0 psf (roof LL: Lum DOL=1.15 Plate DOL=1.15); Pg=20.0 psf; Pf=13.9 psf (Lum DOL=1.15 Plate DOL=1.15); Is=1.0; Rough Cat B; Fully Exp.; Ce=0.9; Cs=1.00; Ct=1.10
- Unbalanced snow loads have been considered for this design.
- This truss has been designed for greater of min roof live load of 12.0 psf or 2.00 times flat roof load of 13.9 psf on overhangs non-concurrent with other live loads.
- All plates are 2x4 MT20 unless otherwise indicated.
- Gable requires continuous bottom chord bearing.
- Gable studs spaced at 2-0-0 oc.
- * This truss has been designed for a live load of 20.0psf on the bottom chord in all areas where a rectangle 3-06-00 tall by 2-00-00 wide will fit between the bottom chord and any other members.
- One RT7A USP connectors recommended to connect truss to bearing walls due to UPLIFT at jt(s) 2, 33, 34, 36, 37, 38, 39, 40, 31, 30, 28, 27, 26, 25, and 24. This connection is for uplift only and does not consider lateral forces.
- This truss is designed in accordance with the 2018 International Residential Code sections R502.11.1 and R802.10.2 and referenced standard ANSI/TPI 1.

LOAD CASE(S) Standard

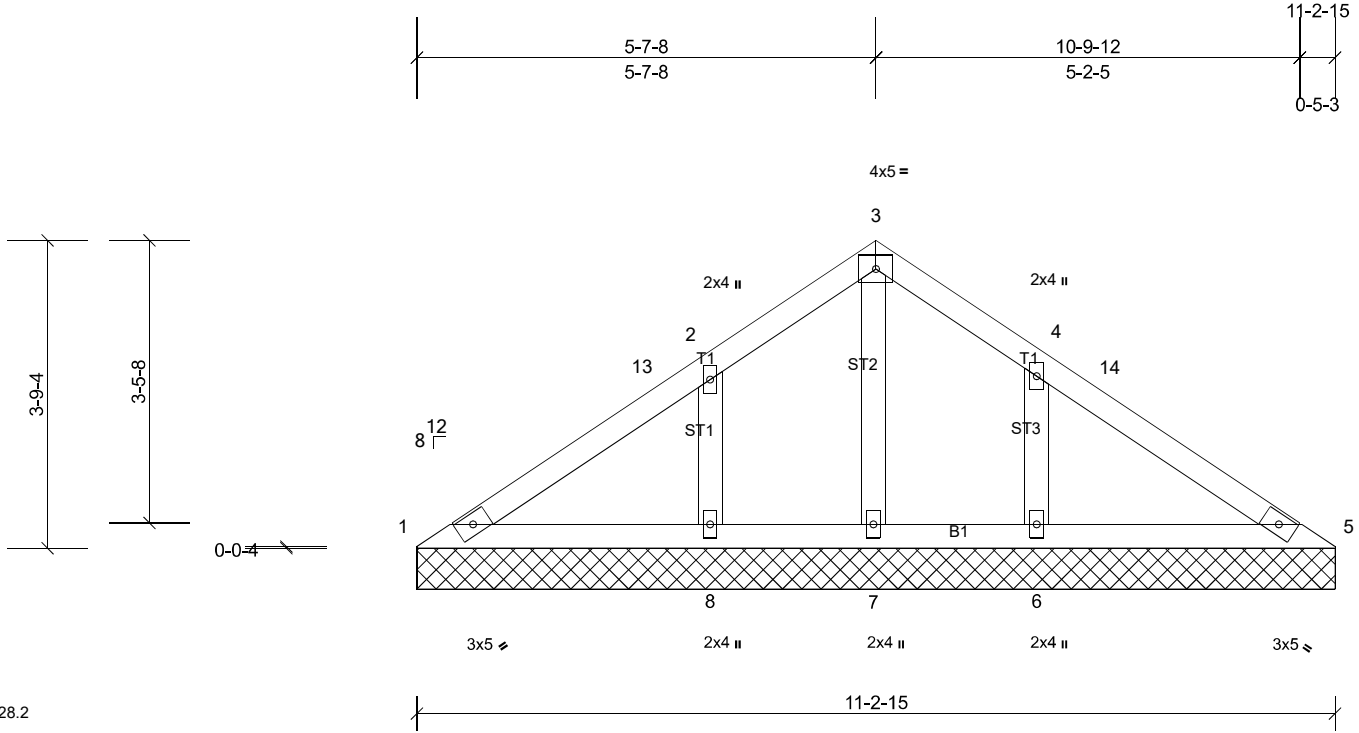
| | | | | | |
|-----------------|-------------|----------------------|----------|----------|--|
| Job 20120029 | Truss V1 | Truss Type Valley | Qty 1 | Ply 1 | 4 Rosemont Job Reference (optional) |
|-----------------|-------------|----------------------|----------|----------|--|

Carter Components - Sanford, Sanford, NC, user

Run: 8.41 S Oct 26 2020 Print: 8.410 S Oct 26 2020 MiTek Industries, Inc. Thu Dec 31 10:44:57

Page: 1

ID: _sO1ijNYcR1VA9rbqywymny3VWVy-hmxbRGMP5nna4bBaYMuh_KGMH_3WY1x76iuB62y3UM4



Scale = 1:28.2

| Loading | (psf) | Spacing | 2-0-0 | CSI | DEFL | in | (loc) | l/defl | L/d | PLATES | GRIP | |
|--------------|-----------|-----------------|-----------------|------------|------|-----------|-------|--------|-----|--------|---------------|----------|
| TCLL (roof) | 20.0 | Plate Grip DOL | 1.15 | TC | 0.15 | Vert(LL) | n/a | - | n/a | 999 | MT20 | 244/190 |
| Snow (Pf/Pg) | 13.9/20.0 | Lumber DOL | 1.15 | BC | 0.12 | Vert(TL) | n/a | - | n/a | 999 | | |
| TCDL | 10.0 | Rep Stress Incr | YES | WB | 0.06 | Horiz(TL) | 0.00 | 5 | n/a | n/a | | |
| BCLL | 0.0* | Code | IRC2018/TPI2014 | Matrix-MSH | | | | | | | | |
| BCDL | 10.0 | | | | | | | | | | Weight: 46 lb | FT = 20% |

LUMBER
TOP CHORD 2x4 SP No.2
BOT CHORD 2x4 SP No.2
OTHERS 2x4 SP No.3

BRACING
TOP CHORD
BOT CHORD

Structural wood sheathing directly applied or 10-0-0 oc purlins.
Rigid ceiling directly applied or 6-0-0 oc bracing.

MiTek recommends that Stabilizers and required cross bracing be installed during truss erection, in accordance with Stabilizer Installation guide.

REACTIONS All bearings 11-2-15.
(lb) - Max Horiz 1=68 (LC 12)
Max Uplift All uplift 100 (lb) or less at joint(s) 6, 8
Max Grav All reactions 250 (lb) or less at joint(s) 1, 5, 7 except 6=300 (LC 25), 8=298 (LC 24)

FORCES (lb) - Max. Comp./Max. Ten. - All forces 250 (lb) or less except when shown.

- NOTES**
- Unbalanced roof live loads have been considered for this design.
 - Wind: ASCE 7-16; Vult=130mph (3-second gust) Vasd=103mph; TCDL=6.0psf; BCDL=6.0psf; h=25ft; Cat. II; Exp B; Enclosed; MWFRS (envelope) and C-C Corner(3E) 0-0-6 to 3-0-6, Exterior(2N) 3-0-6 to 5-7-14, Corner(3R) 5-7-14 to 8-7-14, Exterior(2N) 8-7-14 to 11-3-5 zone; C-C for members and forces & MWFRS for reactions shown; Lumber DOL=1.60 plate grip DOL=1.33
 - Truss designed for wind loads in the plane of the truss only. For studs exposed to wind (normal to the face), see Standard Industry Gable End Details as applicable, or consult qualified building designer as per ANSI/TPI 1.
 - TCLL: ASCE 7-16; Pr=20.0 psf (roof LL: Lum DOL=1.15 Plate DOL=1.15); Pg=20.0 psf; Pf=13.9 psf (Lum DOL=1.15 Plate DOL=1.15); Is=1.0; Rough Cat B; Fully Exp.; Ce=0.9; Cs=1.00; Ct=1.10
 - Gable requires continuous bottom chord bearing.
 - Gable studs spaced at 2-0-0 oc.
 - * This truss has been designed for a live load of 20.0psf on the bottom chord in all areas where a rectangle 3-06-00 tall by 2-00-00 wide will fit between the bottom chord and any other members.
 - One RT7A USP connectors recommended to connect truss to bearing walls due to UPLIFT at jt(s) 8 and 6. This connection is for uplift only and does not consider lateral forces.
 - This truss is designed in accordance with the 2018 International Residential Code sections R502.11.1 and R802.10.2 and referenced standard ANSI/TPI 1.

LOAD CASE(S) Standard

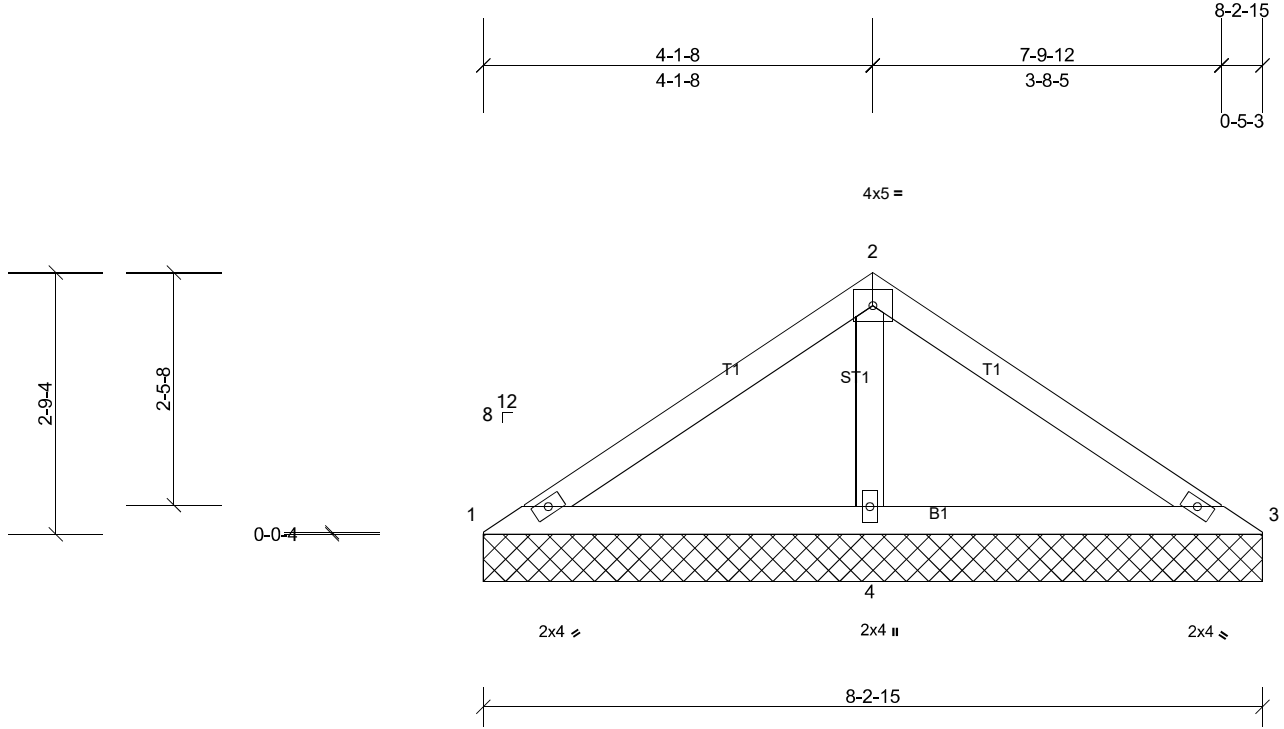
| | | | | | |
|-----------------|-------------|----------------------|----------|----------|--|
| Job 20120029 | Truss V2 | Truss Type Valley | Qty 1 | Ply 1 | 4 Rosemont Job Reference (optional) |
|-----------------|-------------|----------------------|----------|----------|--|

Carter Components - Sanford, Sanford, NC, user

Run: 8.41 S Oct 26 2020 Print: 8.410 S Oct 26 2020 MiTek Industries, Inc. Thu Dec 31 10:44:58

Page: 1

ID:T3yPv30ANI9MoJQnOfRBJ?y3VWx-9zV_ecN1r5vRilmm63QwXXpWyONSHTZGLMeleUy3UM3



Scale = 1:24.4

| Loading | (psf) | Spacing | 2-0-0 | CSI | 0.22 | DEFL | in | (loc) | l/defl | L/d | PLATES | GRIP |
|--------------|-----------|-----------------|-----------------|-----------|------|-----------|------|-------|--------|-----|---------------|----------|
| TCLL (roof) | 20.0 | Plate Grip DOL | 1.15 | TC | 0.22 | Vert(LL) | n/a | - | n/a | 999 | MT20 | 244/190 |
| Snow (Pf/Pg) | 13.9/20.0 | Lumber DOL | 1.15 | BC | 0.20 | Vert(TL) | n/a | - | n/a | 999 | | |
| TCDL | 10.0 | Rep Stress Incr | YES | WB | 0.09 | Horiz(TL) | 0.00 | 3 | n/a | n/a | | |
| BCLL | 0.0* | Code | IRC2018/TPI2014 | Matrix-MP | | | | | | | | |
| BCDL | 10.0 | | | | | | | | | | Weight: 29 lb | FT = 20% |

LUMBER
 TOP CHORD 2x4 SP No.2
 BOT CHORD 2x4 SP No.2
 OTHERS 2x4 SP No.3

BRACING
 TOP CHORD
 BOT CHORD

Structural wood sheathing directly applied or 8-2-15 oc purlins.
 Rigid ceiling directly applied or 6-0-0 oc bracing.

MiTek recommends that Stabilizers and required cross bracing be installed during truss erection, in accordance with Stabilizer Installation guide.

REACTIONS (lb/size) 1=28/8-2-15, (min. 0-1-8), 3=32/8-2-15, (min. 0-1-8),
 4=499/8-2-15, (min. 0-1-8)
 Max Horiz 1=49 (LC 12)
 Max Uplift 1=-16 (LC 31), 3=-13 (LC 30)
 Max Grav 1=66 (LC 30), 3=70 (LC 31), 4=589 (LC 2)

FORCES (lb) - Max. Comp./Max. Ten. - All forces 250 (lb) or less except when shown.
 TOP CHORD 1-2=-101/266, 2-3=-98/260
 WEBS 2-4=-428/196

NOTES

- Unbalanced roof live loads have been considered for this design.
- Wind: ASCE 7-16; Vult=130mph (3-second gust) Vasd=103mph; TCCL=6.0psf; BCDL=6.0psf; h=25ft; Cat. II; Exp B; Enclosed; MWFRS (envelope) and C-C Exterior(2E) 0-0-6 to 3-0-6, Interior (1) 3-0-6 to 4-1-14, Exterior(2R) 4-1-14 to 7-4-2, Interior (1) 7-4-2 to 8-3-5 zone; C-C for members and forces & MWFRS for reactions shown; Lumber DOL=1.60 plate grip DOL=1.33
- TCLL: ASCE 7-16; Pr=20.0 psf (roof LL: Lum DOL=1.15 Plate DOL=1.15); Pg=20.0 psf; Pf=13.9 psf (Lum DOL=1.15 Plate DOL=1.15); Is=1.0; Rough Cat B; Fully Exp.; Ce=0.9; Cs=1.00; Ct=1.10
- Gable requires continuous bottom chord bearing.
- * This truss has been designed for a live load of 20.0psf on the bottom chord in all areas where a rectangle 3-06-00 tall by 2-00-00 wide will fit between the bottom chord and any other members.
- Provide mechanical connection (by others) of truss to bearing plate capable of withstanding 16 lb uplift at joint 1 and 13 lb uplift at joint 3.
- This truss is designed in accordance with the 2018 International Residential Code sections R502.11.1 and R802.10.2 and referenced standard ANSI/TPI 1.

LOAD CASE(S) Standard

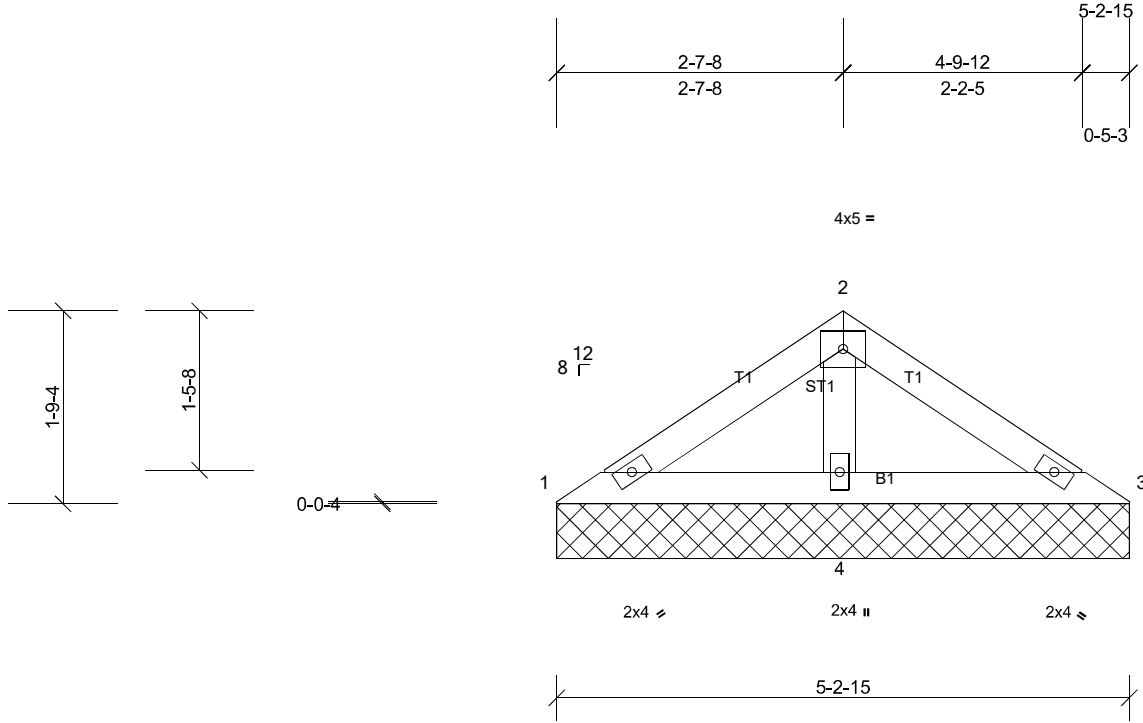
| | | | | | |
|-----------------|-------------|----------------------|----------|----------|--|
| Job 20120029 | Truss V3 | Truss Type Valley | Qty 1 | Ply 1 | 4 Rosemont Job Reference (optional) |
|-----------------|-------------|----------------------|----------|----------|--|

Carter Components - Sanford, Sanford, NC, user

Run: 8.41 S Oct 26 2020 Print: 8.410 S Oct 26 2020 MiTek Industries, Inc. Thu Dec 31 10:44:58

Page: 1

ID:T3yPv3OANI9MoJQnOfRBJ?y3VWx-9zV_ecN1r5vRilmm63QwXXpYFOPLHUQGLMeleUy3UM3



Scale = 1:21.1

| Loading | (psf) | Spacing | 2-0-0 | CSI | DEFL | in | (loc) | I/defl | L/d | PLATES | GRIP | |
|--------------|-----------|-----------------|-----------------|-----------|------|-----------|-------|--------|-----|--------|---------------|----------|
| TCLL (roof) | 20.0 | Plate Grip DOL | 1.15 | TC | 0.07 | Vert(LL) | n/a | - | n/a | 999 | MT20 | 244/190 |
| Snow (Pf/Pg) | 13.9/20.0 | Lumber DOL | 1.15 | BC | 0.08 | Vert(TL) | n/a | - | n/a | 999 | | |
| TCDL | 10.0 | Rep Stress Incr | YES | WB | 0.04 | Horiz(TL) | 0.00 | 3 | n/a | n/a | | |
| BCLL | 0.0* | Code | IRC2018/TPI2014 | Matrix-MP | | | | | | | | |
| BCDL | 10.0 | | | | | | | | | | Weight: 17 lb | FT = 20% |

LUMBER

TOP CHORD 2x4 SP No.2
 BOT CHORD 2x4 SP No.2
 OTHERS 2x4 SP No.3

BRACING

TOP CHORD
 BOT CHORD

Structural wood sheathing directly applied or 5-2-15 oc purlins.
 Rigid ceiling directly applied or 6-0-0 oc bracing.

MiTek recommends that Stabilizers and required cross bracing be installed during truss erection, in accordance with Stabilizer Installation guide.

REACTIONS (lb/size) 1=42/5-2-15, (min. 0-1-8), 3=45/5-2-15, (min. 0-1-8),
 4=268/5-2-15, (min. 0-1-8)
 Max Horiz 1=30 (LC 12)
 Max Uplift 3=-3 (LC 14)
 Max Grav 1=63 (LC 30), 3=66 (LC 31), 4=316 (LC 2)

FORCES (lb) - Max. Comp./Max. Ten. - All forces 250 (lb) or less except when shown.

NOTES

- Unbalanced roof live loads have been considered for this design.
- Wind: ASCE 7-16; Vult=130mph (3-second gust) Vasd=103mph; TCDL=6.0psf; BCDL=6.0psf; h=25ft; Cat. II; Exp B; Enclosed; MWFRS (envelope) and C-C Exterior(2E) zone; C-C for members and forces & MWFRS for reactions shown; Lumber DOL=1.60 plate grip DOL=1.33
- TCLL: ASCE 7-16; Pr=20.0 psf (roof LL: Lum DOL=1.15 Plate DOL=1.15); Pg=20.0 psf; Pf=13.9 psf (Lum DOL=1.15 Plate DOL=1.15); Is=1.0; Rough Cat B; Fully Exp.; Ce=0.9; Cs=1.00; Ct=1.10
- Gable requires continuous bottom chord bearing.
- * This truss has been designed for a live load of 20.0psf on the bottom chord in all areas where a rectangle 3-06-00 tall by 2-00-00 wide will fit between the bottom chord and any other members.
- Provide mechanical connection (by others) of truss to bearing plate capable of withstanding 3 lb uplift at joint 3.
- This truss is designed in accordance with the 2018 International Residential Code sections R502.11.1 and R802.10.2 and referenced standard ANSI/TPI 1.

LOAD CASE(S) Standard

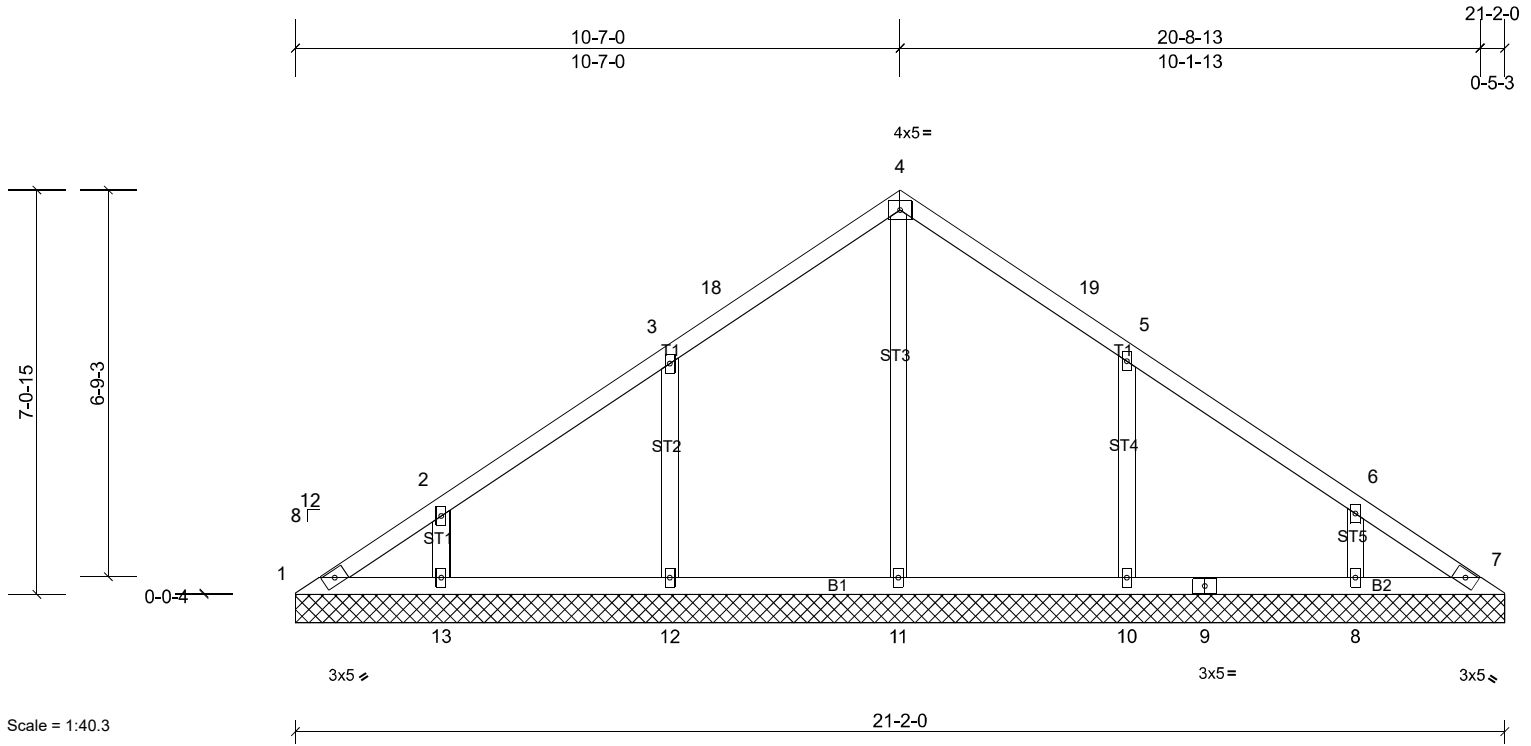
| | | | | | |
|-----------------|-------------|----------------------|----------|----------|--|
| Job 20120029 | Truss V4 | Truss Type Valley | Qty 1 | Ply 1 | 4 Rosemont Job Reference (optional) |
|-----------------|-------------|----------------------|----------|----------|--|

Carter Components - Sanford, Sanford, NC, user

Run: 8.41 S Oct 26 2020 Print: 8.410 S Oct 26 2020 MiTek Industries, Inc. Thu Dec 31 10:44:58

Page: 1

ID:18LdpeGvkgnbnfsoZGrvuy3VX5-9zV_ecN1r5vRilmm63QwXXpW9OOzHSnGLMeleUy3UM3



| Loading | (psf) | Spacing | 2-0-0 | CSI | 0.20 | DEFL | in (loc) | l/defl | L/d | PLATES | GRIP | |
|--------------|-----------|-----------------|-----------------|------------|------|-----------|----------|--------|-----|--------|---------------|----------|
| TCLL (roof) | 20.0 | Plate Grip DOL | 1.15 | TC | 0.20 | Vert(LL) | n/a | - | n/a | 999 | MT20 | 244/190 |
| Snow (Pf/Pg) | 13.9/20.0 | Lumber DOL | 1.15 | BC | 0.17 | Vert(TL) | n/a | - | n/a | 999 | | |
| TCDL | 10.0 | Rep Stress Incr | YES | WB | 0.14 | Horiz(TL) | 0.00 | 7 | n/a | n/a | | |
| BCLL | 0.0* | Code | IRC2018/TPI2014 | Matrix-MSH | | | | | | | | |
| BCDL | 10.0 | | | | | | | | | | | |
| | | | | | | | | | | | Weight: 92 lb | FT = 20% |

LUMBER
TOP CHORD 2x4 SP No.2
BOT CHORD 2x4 SP No.2
OTHERS 2x4 SP No.3 *Except* ST3:2x4 SP No.2

BRACING
TOP CHORD
BOT CHORD

Structural wood sheathing directly applied or 6-0-0 oc purlins.
Rigid ceiling directly applied or 10-0-0 oc bracing.

MiTek recommends that Stabilizers and required cross bracing be installed during truss erection, in accordance with Stabilizer Installation guide.

REACTIONS All bearings 21-2-0.
(lb) - Max Horiz 1=129 (LC 10)
Max Uplift All uplift 100 (lb) or less at joint(s) 1, 8, 10, 12, 13
Max Grav All reactions 250 (lb) or less at joint(s) 1, 7 except 8=329 (LC 25), 10=447 (LC 25), 11=378 (LC 24), 12=448 (LC 24), 13=344 (LC 24)

FORCES (lb) - Max. Comp./Max. Ten. - All forces 250 (lb) or less except when shown.
WEBS 3-12=-276/142, 5-10=-274/140

- NOTES**
- Unbalanced roof live loads have been considered for this design.
 - Wind: ASCE 7-16; Vult=130mph (3-second gust) Vasd=103mph; TCDL=6.0psf; BCDL=6.0psf; h=25ft; Cat. II; Exp B; Enclosed; MWFRS (envelope) and C-C Exterior(2E) 0-0-6 to 3-0-6, Interior (1) 3-0-6 to 10-7-6, Exterior(2R) 10-7-6 to 13-7-6, Interior (1) 13-7-6 to 20-9-0 zone;C-C for members and forces & MWFRS for reactions shown; Lumber DOL=1.60 plate grip DOL=1.33
 - TCLL: ASCE 7-16; Pr=20.0 psf (roof LL: Lum DOL=1.15 Plate DOL=1.15); Pg=20.0 psf; Pf=13.9 psf (Lum DOL=1.15 Plate DOL=1.15); Is=1.0; Rough Cat B; Fully Exp.; Ce=0.9; Cs=1.00; Ct=1.10
 - All plates are 2x4 MT20 unless otherwise indicated.
 - Gable requires continuous bottom chord bearing.
 - * This truss has been designed for a live load of 20.0psf on the bottom chord in all areas where a rectangle 3-06-00 tall by 2-00-00 wide will fit between the bottom chord and any other members, with BCDL = 10.0psf.
 - Provide mechanical connection (by others) of truss to bearing plate capable of withstanding 100 lb uplift at joint(s) 1.
 - One RT7A USP connectors recommended to connect truss to bearing walls due to UPLIFT at jt(s) 12, 13, 10, and 8. This connection is for uplift only and does not consider lateral forces.
 - This truss is designed in accordance with the 2018 International Residential Code sections R502.11.1 and R802.10.2 and referenced standard ANSI/TPI 1.

LOAD CASE(S) Standard

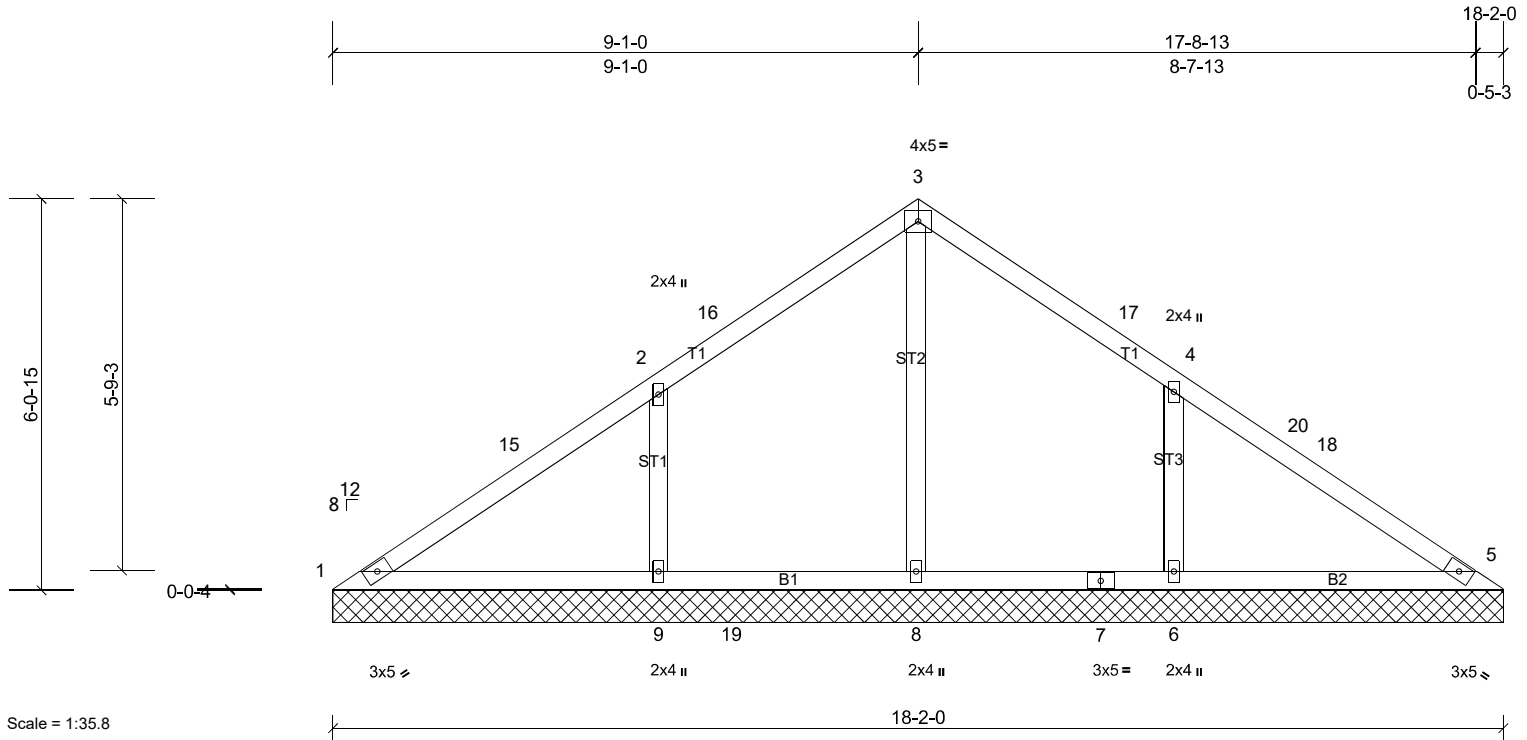
| | | | | | |
|-----------------|-------------|----------------------|----------|----------|--|
| Job 20120029 | Truss V5 | Truss Type Valley | Qty 1 | Ply 1 | 4 Rosemont Job Reference (optional) |
|-----------------|-------------|----------------------|----------|----------|--|

Carter Components - Sanford, Sanford, NC, user

Run: 8.41 S Oct 26 2020 Print: 8.410 S Oct 26 2020 MiTek Industries, Inc. Thu Dec 31 10:44:58

Page: 1

ID:DKv?0_HXV_1eDxE3MGn4S5y3VX4-9zV_ecN1r5vRiImm63QwXXpUuONLHQgGLMeUy3UM3



| Loading | (psf) | Spacing | 2-0-0 | CSI | | DEFL | in | (loc) | l/defl | L/d | PLATES | GRIP |
|--------------|-----------|-----------------|-----------------|------------|------|-----------|-------|-------|--------|-----|---------------|----------|
| TCLL (roof) | 20.0 | Plate Grip DOL | 1.15 | TC | 0.35 | Vert(LL) | n/a | - | n/a | 999 | MT20 | 244/190 |
| Snow (Pf/Pg) | 13.9/20.0 | Lumber DOL | 1.15 | BC | 0.21 | Vert(TL) | n/a | - | n/a | 999 | | |
| TCDL | 10.0 | Rep Stress Incr | YES | WB | 0.28 | Horiz(TL) | -0.01 | 5 | n/a | n/a | | |
| BCLL | 0.0* | Code | IRC2018/TPI2014 | Matrix-MSH | | | | | | | | |
| BCDL | 10.0 | | | | | | | | | | Weight: 75 lb | FT = 20% |

LUMBER
 TOP CHORD 2x4 SP No.2
 BOT CHORD 2x4 SP No.2
 OTHERS 2x4 SP No.3 *Except* ST2:2x4 SP No.2

BRACING
 TOP CHORD
 BOT CHORD
 Structural wood sheathing directly applied or 10-0-0 oc purlins.
 Rigid ceiling directly applied or 6-0-0 oc bracing.

MiTek recommends that Stabilizers and required cross bracing be installed during truss erection, in accordance with Stabilizer Installation guide.

REACTIONS All bearings 18-2-0.
 (lb) - Max Horiz 1=111 (LC 10)
 Max Uplift All uplift 100 (lb) or less at joint(s) 1, 5, 6, 9, 14
 Max Grav All reactions 250 (lb) or less at joint(s) 1, 5, 14 except 6=526 (LC 25), 8=662 (LC 24), 9=528 (LC 24)

FORCES (lb) - Max. Comp./Max. Ten. - All forces 250 (lb) or less except when shown.
 TOP CHORD 1-15=-100/341, 2-15=-10/414, 2-16=0/259, 3-16=0/350, 3-17=0/332, 4-20=0/381, 18-20=-5/322, 5-18=-19/308
 BOT CHORD 1-9=-270/80, 9-19=-270/50, 8-19=-270/50, 7-8=-268/51, 6-7=-268/51, 5-6=-268/51
 WEBS 3-8=-490/0, 2-9=-317/147, 4-6=-316/146

- NOTES**
- Unbalanced roof live loads have been considered for this design.
 - Wind: ASCE 7-16; Vult=130mph (3-second gust) Vasd=103mph; TCDL=6.0psf; BCDL=6.0psf; h=25ft; Cat. II; Exp B; Enclosed; MWFRS (envelope) and C-C Exterior(2E) 0-0-6 to 3-0-6, Interior (1) 3-0-6 to 9-1-6, Exterior(2R) 9-1-6 to 12-1-6, Interior (1) 12-1-6 to 17-9-0 zone; C-C for members and forces & MWFRS for reactions shown; Lumber DOL=1.60 plate grip DOL=1.33
 - TCLL: ASCE 7-16; Pr=20.0 psf (roof LL: Lum DOL=1.15 Plate DOL=1.15); Pg=20.0 psf; Pf=13.9 psf (Lum DOL=1.15 Plate DOL=1.15); Is=1.0; Rough Cat B; Fully Exp.; Ce=0.9; Cs=1.00; Ct=1.10
 - Gable requires continuous bottom chord bearing.
 - * This truss has been designed for a live load of 20.0psf on the bottom chord in all areas where a rectangle 3-06-00 tall by 2-00-00 wide will fit between the bottom chord and any other members, with BCDL = 10.0psf.
 - Provide mechanical connection (by others) of truss to bearing plate capable of withstanding 100 lb uplift at joint(s) 1.
 - One RT7A USP connectors recommended to connect truss to bearing walls due to UPLIFT at jt(s) 9 and 6. This connection is for uplift only and does not consider lateral forces.
 - This truss is designed in accordance with the 2018 International Residential Code sections R502.11.1 and R802.10.2 and referenced standard ANSI/TPI 1.

LOAD CASE(S) Standard

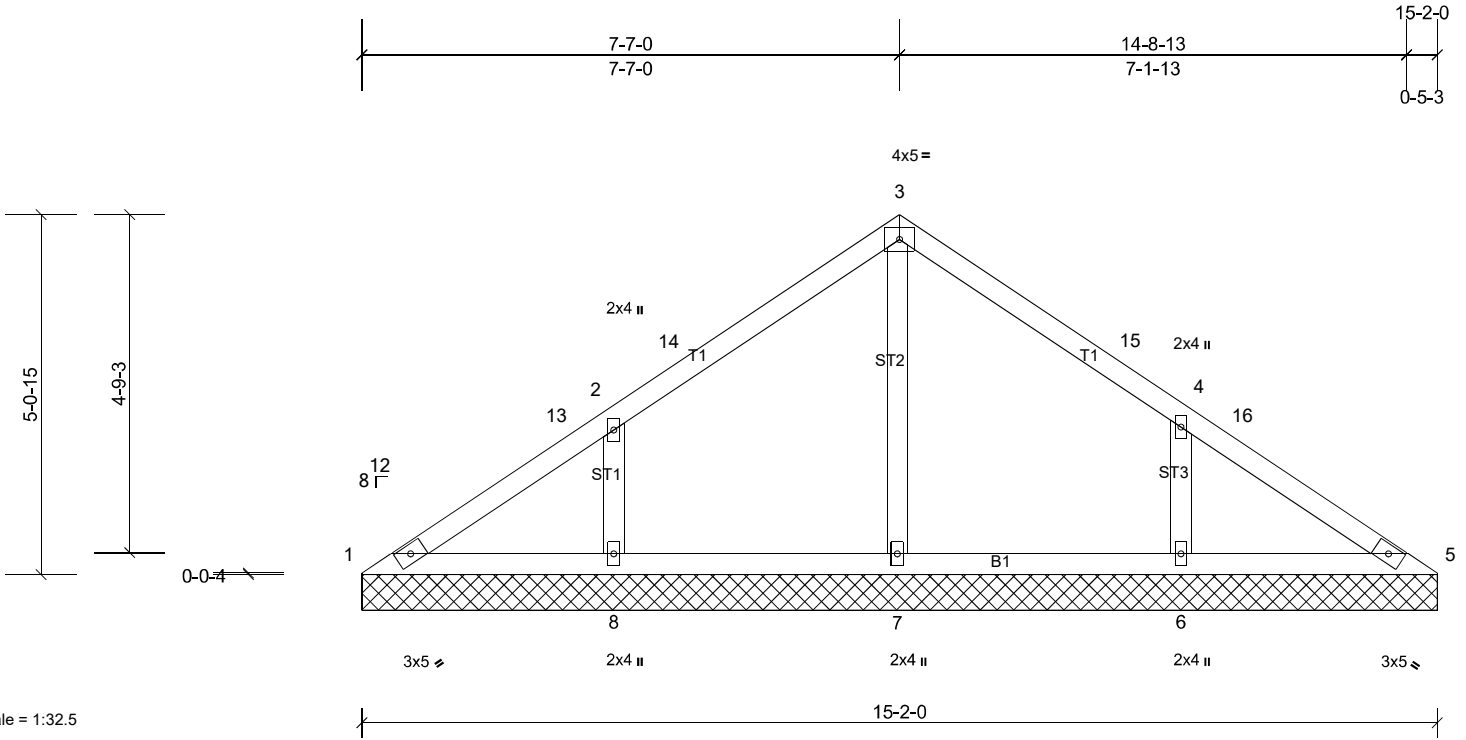
| | | | | | |
|-----------------|-------------|----------------------|----------|----------|--|
| Job 20120029 | Truss V6 | Truss Type Valley | Qty 1 | Ply 1 | 4 Rosemont Job Reference (optional) |
|-----------------|-------------|----------------------|----------|----------|--|

Carter Components - Sanford, Sanford, NC, user

Run: 8.41 S Oct 26 2020 Print: 8.410 S Oct 26 2020 MiTek Industries, Inc. Thu Dec 31 10:44:58

Page: 1

ID:DKV?0_HXV_1eDxE3MGn4S5y3VX4-9zV_ecN1r5vRilmm63QwXXpW_OP7HTEGLMeleUy3UM3



Scale = 1:32.5

| Loading | (psf) | Spacing | 2-0-0 | CSI | | DEFL | in | (loc) | l/defl | L/d | PLATES | GRIP |
|--------------|-----------|-----------------|-----------------|------------|------|-----------|------|-------|--------|-----|---------------|----------|
| TCLL (roof) | 20.0 | Plate Grip DOL | 1.15 | TC | 0.21 | Vert(LL) | n/a | - | n/a | 999 | MT20 | 244/190 |
| Snow (Pf/Pg) | 13.9/20.0 | Lumber DOL | 1.15 | BC | 0.10 | Vert(TL) | n/a | - | n/a | 999 | | |
| TCDL | 10.0 | Rep Stress Incr | YES | WB | 0.12 | Horiz(TL) | 0.00 | 5 | n/a | n/a | | |
| BCLL | 0.0* | Code | IRC2018/TPI2014 | Matrix-MSH | | | | | | | | |
| BCDL | 10.0 | | | | | | | | | | Weight: 60 lb | FT = 20% |

LUMBER
 TOP CHORD 2x4 SP No.2
 BOT CHORD 2x4 SP No.2
 OTHERS 2x4 SP No.3

BRACING
 TOP CHORD
 BOT CHORD

Structural wood sheathing directly applied or 6-0-0 oc purlins.
 Rigid ceiling directly applied or 6-0-0 oc bracing.

MiTek recommends that Stabilizers and required cross bracing be installed during truss erection, in accordance with Stabilizer Installation guide.

REACTIONS All bearings 15-2-0.
 (lb) - Max Horiz 1=-92 (LC 11)
 Max Uplift All uplift 100 (lb) or less at joint(s) 1, 6, 8
 Max Grav All reactions 250 (lb) or less at joint(s) 1, 5 except 6=362 (LC 25), 7=327 (LC 2), 8=363 (LC 24)

FORCES (lb) - Max. Comp./Max. Ten. - All forces 250 (lb) or less except when shown.
 WEBS 3-7=-254/4, 2-8=-266/145, 4-6=-263/144

- NOTES**
- 1) Unbalanced roof live loads have been considered for this design.
 - 2) Wind: ASCE 7-16; Vult=130mph (3-second gust) Vasd=103mph; TCDL=6.0psf; BCDL=6.0psf; h=25ft; Cat. II; Exp B; Enclosed; MWFRS (envelope) and C-C Exterior(2E) 0-0-6 to 3-0-6, Interior (1) 3-0-6 to 7-7-6, Exterior(2R) 7-7-6 to 10-7-6, Interior (1) 10-7-6 to 15-2-6 zone; C-C for members and forces & MWFRS for reactions shown; Lumber DOL=1.60 plate grip DOL=1.33
 - 3) TCLL: ASCE 7-16; Pr=20.0 psf (roof LL: Lum DOL=1.15 Plate DOL=1.15); Pg=20.0 psf; Pf=13.9 psf (Lum DOL=1.15 Plate DOL=1.15); Is=1.0; Rough Cat B; Fully Exp.; Ce=0.9; Cs=1.00; Ct=1.10
 - 4) Gable requires continuous bottom chord bearing.
 - 5) * This truss has been designed for a live load of 20.0psf on the bottom chord in all areas where a rectangle 3-06-00 tall by 2-00-00 wide will fit between the bottom chord and any other members.
 - 6) Provide mechanical connection (by others) of truss to bearing plate capable of withstanding 100 lb uplift at joint(s) 1.
 - 7) One RT7A USP connectors recommended to connect truss to bearing walls due to UPLIFT at jt(s) 8 and 6. This connection is for uplift only and does not consider lateral forces.
 - 8) This truss is designed in accordance with the 2018 International Residential Code sections R502.11.1 and R802.10.2 and referenced standard ANSI/TPI 1.

LOAD CASE(S) Standard

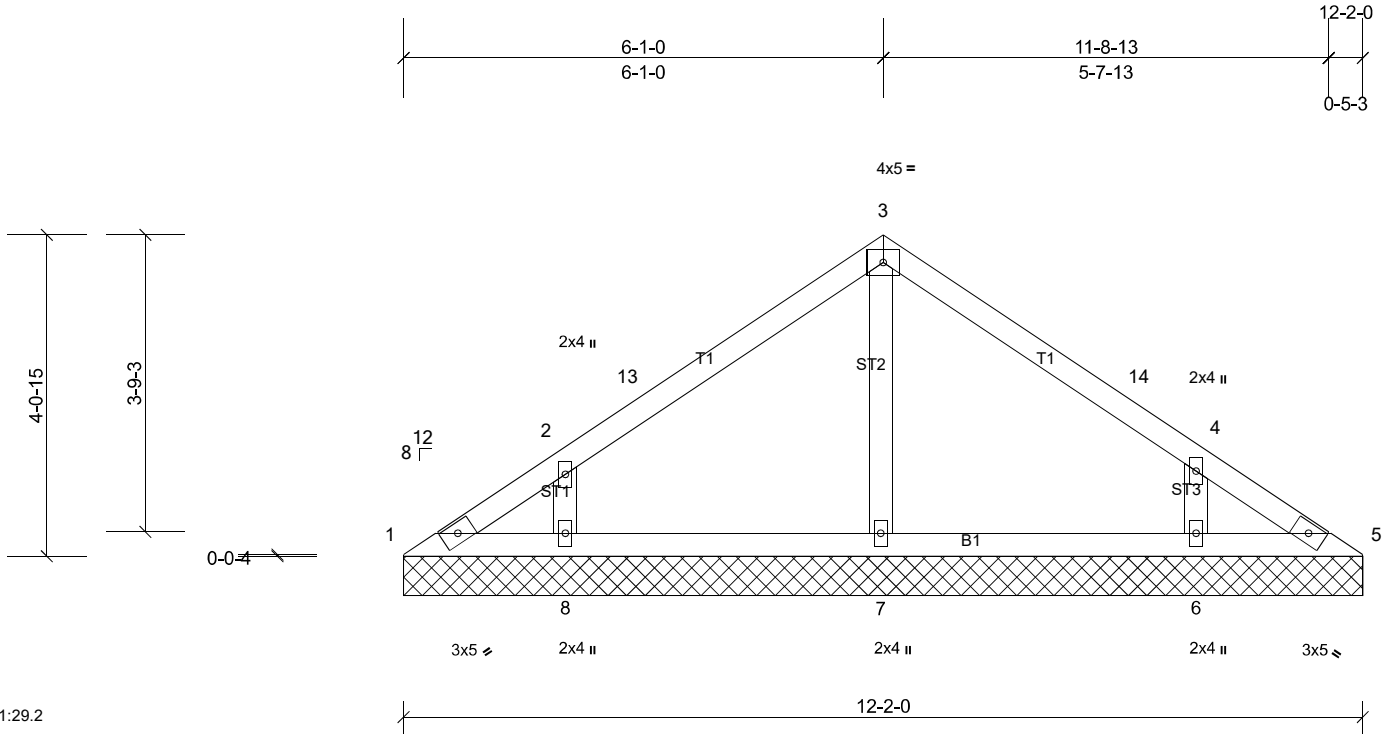
| | | | | | |
|-----------------|-------------|----------------------|----------|----------|--|
| Job 20120029 | Truss V7 | Truss Type Valley | Qty 1 | Ply 1 | 4 Rosemont Job Reference (optional) |
|-----------------|-------------|----------------------|----------|----------|--|

Carter Components - Sanford, Sanford, NC, user

Run: 8.41 S Oct 26 2020 Print: 8.410 S Oct 26 2020 MiTek Industries, Inc. Thu Dec 31 10:44:58

Page: 1

ID:DKv?0_HXV_1eDxE3MGn4S5y3VX4-9zV_ecN1r5vRilmm63QwXXpXTOPIHUAGLMeleUy3UM3



Scale = 1:29.2

| Loading | (psf) | Spacing | 2-0-0 | CSI | DEFL | in | (loc) | l/defl | L/d | PLATES | GRIP | |
|--------------|-----------|-----------------|-----------------|------------|------|-----------|-------|--------|-----|--------|---------------|----------|
| TCLL (roof) | 20.0 | Plate Grip DOL | 1.15 | TC | 0.18 | Vert(LL) | n/a | - | n/a | 999 | MT20 | 244/190 |
| Snow (Pf/Pg) | 13.9/20.0 | Lumber DOL | 1.15 | BC | 0.09 | Vert(TL) | n/a | - | n/a | 999 | | |
| TCDL | 10.0 | Rep Stress Incr | YES | WB | 0.06 | Horiz(TL) | 0.00 | 5 | n/a | n/a | | |
| BCLL | 0.0* | Code | IRC2018/TPI2014 | Matrix-MSH | | | | | | | | |
| BCDL | 10.0 | | | | | | | | | | | |
| | | | | | | | | | | | Weight: 46 lb | FT = 20% |

LUMBER

TOP CHORD 2x4 SP No.2
 BOT CHORD 2x4 SP No.2
 OTHERS 2x4 SP No.3

BRACING

TOP CHORD
 BOT CHORD

Structural wood sheathing directly applied or 6-0-0 oc purlins.
 Rigid ceiling directly applied or 10-0-0 oc bracing.

MiTek recommends that Stabilizers and required cross bracing be installed during truss erection, in accordance with Stabilizer Installation guide.

REACTIONS All bearings 12-2-0.

- (lb) - Max Horiz 1=73 (LC 12)
- Max Uplift All uplift 100 (lb) or less at joint(s) 1, 6, 8
- Max Grav All reactions 250 (lb) or less at joint(s) 1, 5 except 6=307 (LC 25), 7=264 (LC 2), 8=311 (LC 24)

FORCES (lb) - Max. Comp./Max. Ten. - All forces 250 (lb) or less except when shown.

WEBS 2-8=-256/176

NOTES

- 1) Unbalanced roof live loads have been considered for this design.
- 2) Wind: ASCE 7-16; Vult=130mph (3-second gust) Vasd=103mph; TCDL=6.0psf; BCDL=6.0psf; h=25ft; Cat. II; Exp B; Enclosed; MWFRS (envelope) and C-C Exterior(2E) 0-0-6 to 3-0-6, Interior (1) 3-0-6 to 6-1-6, Exterior(2R) 6-1-6 to 9-1-6, Interior (1) 9-1-6 to 12-2-6 zone; C-C for members and forces & MWFRS for reactions shown; Lumber DOL=1.60 plate grip DOL=1.33
- 3) TCLL: ASCE 7-16; Pr=20.0 psf (roof LL: Lum DOL=1.15 Plate DOL=1.15); Pg=20.0 psf; Pf=13.9 psf (Lum DOL=1.15 Plate DOL=1.15); Is=1.0; Rough Cat B; Fully Exp.; Ce=0.9; Cs=1.00; Ct=1.10
- 4) Gable requires continuous bottom chord bearing.
- 5) * This truss has been designed for a live load of 20.0psf on the bottom chord in all areas where a rectangle 3-06-00 tall by 2-00-00 wide will fit between the bottom chord and any other members.
- 6) Provide mechanical connection (by others) of truss to bearing plate capable of withstanding 100 lb uplift at joint(s) 1.
- 7) One RT7A USP connectors recommended to connect truss to bearing walls due to UPLIFT at jt(s) 8 and 6. This connection is for uplift only and does not consider lateral forces.
- 8) This truss is designed in accordance with the 2018 International Residential Code sections R502.11.1 and R802.10.2 and referenced standard ANSI/TPI 1.

LOAD CASE(S) Standard

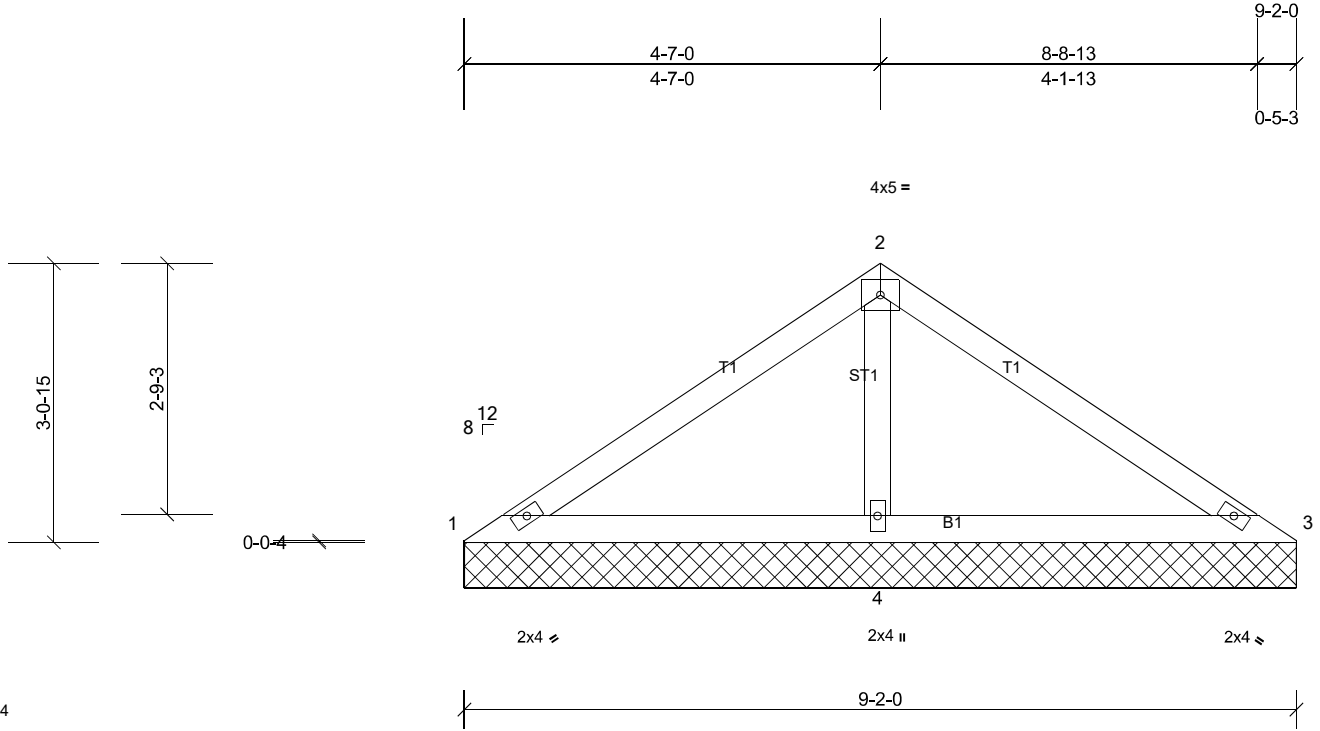
| | | | | | |
|-----------------|-------------|----------------------|----------|----------|--|
| Job 20120029 | Truss V8 | Truss Type Valley | Qty 1 | Ply 1 | 4 Rosemont Job Reference (optional) |
|-----------------|-------------|----------------------|----------|----------|--|

Carter Components - Sanford, Sanford, NC, user

Run: 8.41 S Oct 26 2020 Print: 8.410 S Oct 26 2020 MiTek Industries, Inc. Thu Dec 31 10:44:59

Page: 1

ID:DKv?0_HXV_1eDxE3MGn4S5y3VX4-d93MsyOfcO1JJulYgnx93ILhPoiR0wUQa0NIawy3UM2



Scale = 1:25.4

| Loading | (psf) | Spacing | 2-0-0 | CSI | | DEFL | in | (loc) | l/defl | L/d | PLATES | GRIP |
|--------------|-----------|-----------------|-----------------|------------|------|-----------|------|-------|--------|-----|---------------|----------|
| TCLL (roof) | 20.0 | Plate Grip DOL | 1.15 | TC | 0.24 | Vert(LL) | n/a | - | n/a | 999 | MT20 | 244/190 |
| Snow (Pf/Pg) | 13.9/20.0 | Lumber DOL | 1.15 | BC | 0.22 | Vert(TL) | n/a | - | n/a | 999 | | |
| TCDL | 10.0 | Rep Stress Incr | YES | WB | 0.12 | Horiz(TL) | 0.00 | 3 | n/a | n/a | | |
| BCLL | 0.0* | Code | IRC2018/TPI2014 | Matrix-MSH | | | | | | | | |
| BCDL | 10.0 | | | | | | | | | | Weight: 32 lb | FT = 20% |

LUMBER
 TOP CHORD 2x4 SP No.2
 BOT CHORD 2x4 SP No.2
 OTHERS 2x4 SP No.3

BRACING
 TOP CHORD
 BOT CHORD

Structural wood sheathing directly applied or 9'-2-0 oc purlins.
 Rigid ceiling directly applied or 6'-0-0 oc bracing.

MiTek recommends that Stabilizers and required cross bracing be installed during truss erection, in accordance with Stabilizer Installation guide.

REACTIONS (lb/size) 1=31/9-2-0, (min. 0-1-8), 3=35/9-2-0, (min. 0-1-8), 4=554/9-2-0, (min. 0-1-8)
 Max Horiz 1=-54 (LC 11)
 Max Uplift 1=-18 (LC 31), 3=-15 (LC 30)
 Max Grav 1=73 (LC 30), 3=77 (LC 31), 4=654 (LC 2)

FORCES (lb) - Max. Comp./Max. Ten. - All forces 250 (lb) or less except when shown.
 TOP CHORD 1-2=-89/296, 2-3=-87/289
 WEBS 2-4=-493/208

- NOTES**
- Unbalanced roof live loads have been considered for this design.
 - Wind: ASCE 7-16; Vult=130mph (3-second gust) Vasd=103mph; TCDL=6.0psf; BCDL=6.0psf; h=25ft; Cat. II; Exp B; Enclosed; MWFRS (envelope) and C-C Exterior(2E) 0-0-6 to 3-0-6, Interior (1) 3-0-6 to 4-7-6, Exterior(2R) 4-7-6 to 7-7-6, Interior (1) 7-7-6 to 9-2-6 zone; C-C for members and forces & MWFRS for reactions shown; Lumber DOL=1.60 plate grip DOL=1.33
 - TCLL: ASCE 7-16; Pr=20.0 psf (roof LL: Lum DOL=1.15 Plate DOL=1.15); Pg=20.0 psf; Pf=13.9 psf (Lum DOL=1.15 Plate DOL=1.15); Is=1.0; Rough Cat B; Fully Exp.; Ce=0.9; Cs=1.00; Ct=1.10
 - Gable requires continuous bottom chord bearing.
 - * This truss has been designed for a live load of 20.0psf on the bottom chord in all areas where a rectangle 3'-06"-00 tall by 2'-00"-00 wide will fit between the bottom chord and any other members.
 - Provide mechanical connection (by others) of truss to bearing plate capable of withstanding 18 lb uplift at joint 1 and 15 lb uplift at joint 3.
 - This truss is designed in accordance with the 2018 International Residential Code sections R502.11.1 and R802.10.2 and referenced standard ANSI/TPI 1.

LOAD CASE(S) Standard

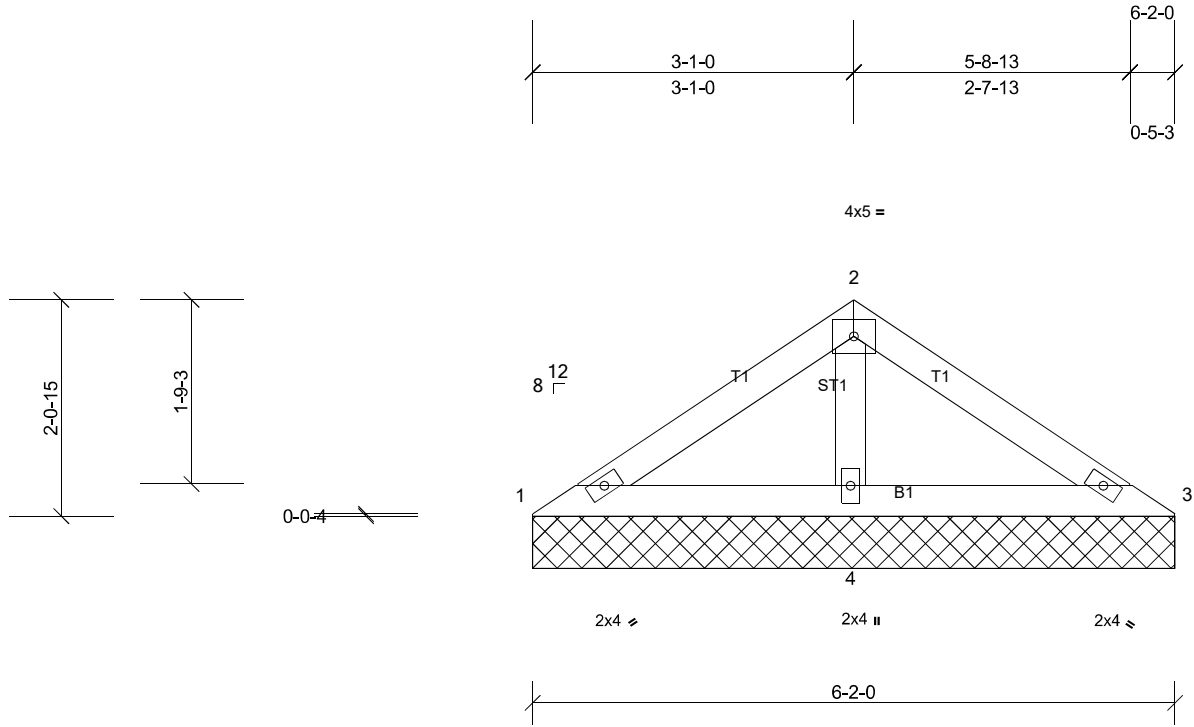
| | | | | | |
|-----------------|-------------|----------------------|----------|----------|--|
| Job 20120029 | Truss V9 | Truss Type Valley | Qty 1 | Ply 1 | 4 Rosemont Job Reference (optional) |
|-----------------|-------------|----------------------|----------|----------|--|

Carter Components - Sanford, Sanford, NC, user

Run: 8.41 S Oct 26 2020 Print: 8.410 S Oct 26 2020 MiTek Industries, Inc. Thu Dec 31 10:44:59

Page: 1

ID:WTNEKH9FH9Vr4pFw_IJ_Jy3VX3-d93MsyOfcO1JJuLygnx93lJlRok30xSQa0NIawy3UM2



Scale = 1:22.1

| Loading | (psf) | Spacing | 2-0-0 | CSI | 0.11 | DEFL | in | (loc) | l/defl | L/d | PLATES | GRIP |
|--------------|-----------|-----------------|-----------------|-----------|------|-----------|------|-------|--------|-----|---------------|----------|
| TCLL (roof) | 20.0 | Plate Grip DOL | 1.15 | TC | 0.11 | Vert(LL) | n/a | - | n/a | 999 | MT20 | 244/190 |
| Snow (Pf/Pg) | 13.9/20.0 | Lumber DOL | 1.15 | BC | 0.12 | Vert(TL) | n/a | - | n/a | 999 | | |
| TCDL | 10.0 | Rep Stress Incr | YES | WB | 0.05 | Horiz(TL) | 0.00 | 3 | n/a | n/a | | |
| BCLL | 0.0* | Code | IRC2018/TPI2014 | Matrix-MP | | | | | | | Weight: 21 lb | FT = 20% |
| BCDL | 10.0 | | | | | | | | | | | |

LUMBER

TOP CHORD 2x4 SP No.2
 BOT CHORD 2x4 SP No.2
 OTHERS 2x4 SP No.3

BRACING

TOP CHORD
 BOT CHORD

Structural wood sheathing directly applied or 6-2-0 oc purlins.
 Rigid ceiling directly applied or 6-0-0 oc bracing.

MiTek recommends that Stabilizers and required cross bracing be installed during truss erection, in accordance with Stabilizer Installation guide.

REACTIONS (lb/size) 1=41/6-2-0, (min. 0-1-8), 3=44/6-2-0, (min. 0-1-8), 4=332/6-2-0, (min. 0-1-8)

Max Horiz 1=36 (LC 10)

Max Uplift 3=-2 (LC 9)

Max Grav 1=67 (LC 30), 3=70 (LC 31), 4=393 (LC 2)

FORCES (lb) - Max. Comp./Max. Ten. - All forces 250 (lb) or less except when shown.

WEBS 2-4=-261/135

NOTES

- 1) Unbalanced roof live loads have been considered for this design.
- 2) Wind: ASCE 7-16; Vult=130mph (3-second gust) Vasd=103mph; TCDL=6.0psf; BCDL=6.0psf; h=25ft; Cat. II; Exp B; Enclosed; MWFRS (envelope) and C-C Exterior(2E) zone; C-C for members and forces & MWFRS for reactions shown; Lumber DOL=1.60 plate grip DOL=1.33
- 3) TCLL: ASCE 7-16; Pr=20.0 psf (roof LL: Lum DOL=1.15 Plate DOL=1.15); Pg=20.0 psf; Pf=13.9 psf (Lum DOL=1.15 Plate DOL=1.15); Is=1.0; Rough Cat B; Fully Exp.; Ce=0.9; Cs=1.00; Ct=1.10
- 4) Gable requires continuous bottom chord bearing.
- 5) * This truss has been designed for a live load of 20.0psf on the bottom chord in all areas where a rectangle 3-06-00 tall by 2-00-00 wide will fit between the bottom chord and any other members.
- 6) Provide mechanical connection (by others) of truss to bearing plate capable of withstanding 2 lb uplift at joint 3.
- 7) This truss is designed in accordance with the 2018 International Residential Code sections R502.11.1 and R802.10.2 and referenced standard ANSI/TPI 1.

LOAD CASE(S) Standard

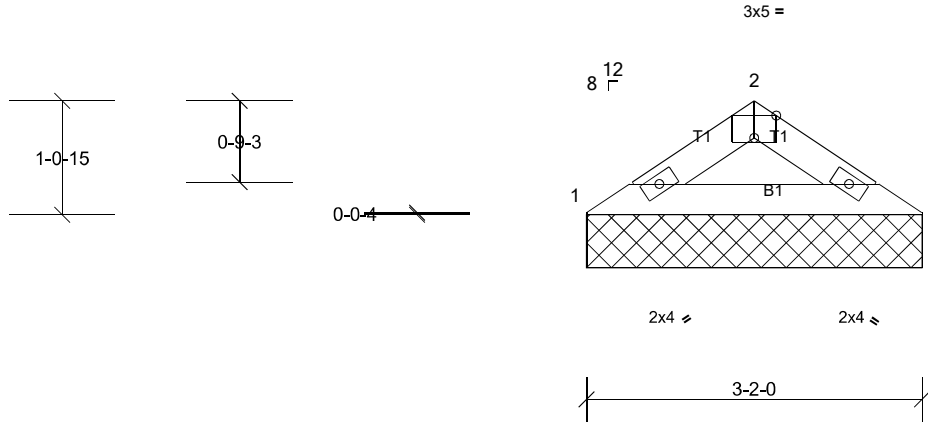
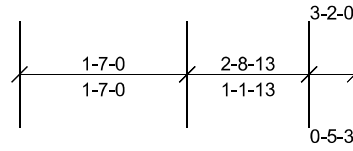
| | | | | | |
|-----------------|--------------|----------------------|----------|----------|--|
| Job 20120029 | Truss V10 | Truss Type Valley | Qty 1 | Ply 1 | 4 Rosemont Job Reference (optional) |
|-----------------|--------------|----------------------|----------|----------|--|

Carter Components - Sanford, Sanford, NC, user

Run: 8.41 S Oct 26 2020 Print: 8.410 S Oct 26 2020 MiTek Industries, Inc. Thu Dec 31 10:44:59

Page: 1

ID:18LdpeGvkgnbnfsoZGrvuy3VX5-d93MsyOfcO11JlJygnx93Ljxokn0xHQa0NIawy3UM2



Scale = 1:21.8

Plate Offsets (X, Y): [2:0-2-8,Edge]

| Loading | (psf) | Spacing | 2-0-0 | CSI | | DEFL | in | (loc) | l/defl | L/d | PLATES | GRIP |
|--------------|-----------|-----------------|-----------------|-----------|------|-----------|------|-------|--------|-----|--------------|----------|
| TCLL (roof) | 20.0 | Plate Grip DOL | 1.15 | TC | 0.07 | Vert(LL) | n/a | - | n/a | 999 | MT20 | 244/190 |
| Snow (Pf/Pg) | 13.9/20.0 | Lumber DOL | 1.15 | BC | 0.07 | Vert(TL) | n/a | - | n/a | 999 | | |
| TCDL | 10.0 | Rep Stress Incr | YES | WB | 0.00 | Horiz(TL) | 0.00 | 3 | n/a | n/a | | |
| BCLL | 0.0* | Code | IRC2018/TPI2014 | Matrix-MP | | | | | | | Weight: 9 lb | FT = 20% |
| BCDL | 10.0 | | | | | | | | | | | |

LUMBER
TOP CHORD 2x4 SP No.2
BOT CHORD 2x4 SP No.2

BRACING
TOP CHORD
BOT CHORD

Structural wood sheathing directly applied or 3-2-0 oc purlins.
Rigid ceiling directly applied or 10-0-0 oc bracing.

REACTIONS (lb/size) 1=107/3-2-0, (min. 0-1-8), 3=107/3-2-0, (min. 0-1-8)
Max Horiz 1=-17 (LC 11)
Max Grav 1=127 (LC 2), 3=127 (LC 2)

MiTek recommends that Stabilizers and required cross bracing be installed during truss erection, in accordance with Stabilizer Installation guide.

FORCES (lb) - Max. Comp./Max. Ten. - All forces 250 (lb) or less except when shown.

NOTES

- Unbalanced roof live loads have been considered for this design.
- Wind: ASCE 7-16; Vult=130mph (3-second gust) Vasd=103mph; TCDL=6.0psf; BCDL=6.0psf; h=25ft; Cat. II; Exp B; Enclosed; MWFRS (envelope) and C-C Exterior(2E) zone;C-C for members and forces & MWFRS for reactions shown; Lumber DOL=1.60 plate grip DOL=1.33
- TCLL: ASCE 7-16; Pr=20.0 psf (roof LL: Lum DOL=1.15 Plate DOL=1.15); Pg=20.0 psf; Pf=13.9 psf (Lum DOL=1.15 Plate DOL=1.15); Is=1.0; Rough Cat B; Fully Exp.; Ce=0.9; Cs=1.00; Ct=1.10
- Gable requires continuous bottom chord bearing.
- * This truss has been designed for a live load of 20.0psf on the bottom chord in all areas where a rectangle 3-06-00 tall by 2-00-00 wide will fit between the bottom chord and any other members.
- This truss is designed in accordance with the 2018 International Residential Code sections R502.11.1 and R802.10.2 and referenced standard ANSI/TPI 1.

LOAD CASE(S) Standard