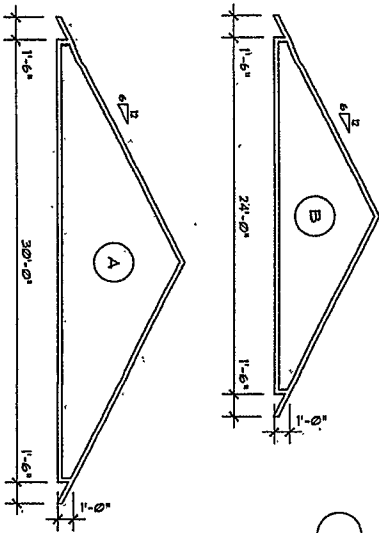


1 ROOF FRAMING FLOOR PLAN
1/4" = 1'-0"

NOTE: ALL OVER FRAMING TO BE 2x6'S @ 24" O.C. (W/ 2x4 VERTICAL SUPPORTS DOWN TO ROOF TRUSSES @ 24" O.C. (TYP))

NOTE: ALL TRUSSES TO BE REPLACED @ 24" O.C. (PLEASE OVERSEE NOTE)



2 PRE-ENGINEERED TRUSSES
3/16" = 1'-0"

street index: roof framing 12x11 A10 of 11	date: 12-15-06	drawn by: J.B.M.	<p>Marshall Architecture P.C. 6098 South Lakeview Street Littleton, Colorado 80120 www.marshallarchitecture.com Email: jm@marshallarchitecture.com Fax: (303) 781-4393</p>	copyright 2006 No reproduction or other use of these plans may be made without the written consent of Marshall Architecture	model no. H-2020-S
checked by: D.L.M.	reviewed:	date: 12-15-06		Marshall Architecture	

