



Square Footage

| Living Areas | |
|--------------------|---------|
| 1st Floor | 1105 SF |
| 2nd Floor | 1494 SF |
| | 2599 SF |
| Unfinished Areas | |
| Covered Porch | 128 SF |
| Garage | 499 SF |
| Rear Covered Porch | 144 SF |
| | 771 SF |

Square Footage total may vary by +1 SF due to automated rounding of first and second floor area

Redraws

Plan Review: 11/14/22
 - Changed fireplace to gas.

Plan Review: XX/XX/XX

Xxxx

Fenestration Calculations:
 Total Wall Square Footage: 4105.66
 Total Window Square Footage: 466
 Total Fenestration %: 11.35%

Division: RALEIGH

Building Code: 2018 NORTH CAROLINA RESIDENTIAL CODE

Index to the Drawings

| Sheet No. | Sheet Name |
|-----------|------------------------------|
| 0C.1 | Cover Sheet |
| 0N.1 | General Notes |
| 1.01C | Foundation Plan |
| 1.01S | Foundation Plan |
| 2.01F | First Floor Framing Plan |
| 2.01S | First Floor Structural Plan |
| 2.02F | Second Floor Framing Plan |
| 2.02S | Second Floor Structural Plan |
| 2.03F | Third Floor Framing Plan |
| 2.03S | Third Floor Structural Plan |
| 2.04 | Roof Plan |
| 3.01 | First Floor Subfloor Plan |
| 3.02 | Second Floor Subfloor Plan |
| 4.01 | First Floor Mechanical Plan |
| 4.02 | Second Floor Mechanical Plan |
| 4.03 | Third Floor Mechanical Plan |
| 5.01 | Building Section |
| 6.01 | Front Elevation |
| 6.02 | Garage Side Elevation |
| 6.03 | Rear Elevation |
| 6.04 | Side Elevation |
| 7.01 | House Specific Details |

Space for Architect Seal

The Drees Company
 11/30/2022 9:13:34 AM

RESIDENCE FOR:
BOYD
 64 COMFORT COURT
 SERENITY - 50'

| | | | |
|------------------------------------|------------------------------------|----------------------------------|-------------------------------------|
| Job Number: STY5-0039-00 | Drawing Date: 11/08/2022 | Coord Name: GREG P. | Coord Phone: 859-578-4355 |
| House Name: | | Drawing Scale: 1/8" = 1'0" | |
| | | Contract Drawn By: SSP | |
| | | Series: SERIES_NM | |
| | | Plan No.: PLAN_NM | |

the EPIPHANY II

Born on Date: 01/15/2021 | CDs Drawn By: SSP

821 Six Forks Road, Suite 500, Raleigh, NC 27615
 Phone: [919] 844-9288

Sheet Information

0C.1
 Cover Sheet
 Elevation "B"

Architecture Plan Review: No Comments See Comments Items drawn on any drawings and not written in the contract sections **WILL NOT** be included in the site specific drawings.

| Customer Request: | Design Solution: | Reason For Modification: | Comments: |
|-------------------------|------------------|--------------------------|---|
| 1. GAS LINE TO EXTERIOR | 1. NOT SHOWN | 1. LOCATION NOT PROVIDED | 1. PLEASE PLACE AT THE DESIGN CENTER OR SUBMIT REDRAW |
| 2. XXX | 2. XXX | 2. XXX | 2. XXX |
| 3. XXX | 3. XXX | 3. XXX | 3. XXX |
| 4. XXX | 4. XXX | 4. XXX | 4. XXX |

Customer Plan Review Signature

I understand that my new Drees home will be built in general conformance to the plans, specifications, selections and the Purchase Agreement, all of which I have reviewed and approved. This set of plans may not reflect the elevations or options for my house. Drees draws the standard plans complete with the most common options. The subcontractor's sets will show only the options I selected in my selection sheets. I have reviewed the plot plan for my house and understand that there may be some field adjustments as to the exact location of the house on the lot. I further understand that my home will not be built exactly like any other Drees home or Model and that some minor variations from my plans and specifications may occur since every home that is built has it's own set of unique construction problems that must be dealt with as the home is being built.

Customer: _____ Date: _____
 Customer: _____ Date: _____

GENERAL NOTES - RALEIGH

FOUNDATION NOTES

CRAWL SPACES:

- SLOPE CONCRETE SLAB 4" MINIMUM TOWARDS GARAGE DOOR
- EXTERIOR FLATWORK/GARAGES SHALL HAVE A MINIMUM CONCRETE STRENGTH OF 4,500 PSI
- FOOTINGS TO A MINIMUM CONCRETE STRENGTH OF 2500 PSI, UNLESS OTHERWISE NOTED
- ASSUMED ALLOWABLE SOIL BEARING PRESSURE: 2,000 p.s.f.
- WATERPROOF FOUNDATION WITH BITUMINOUS SPRAY.
- WALL TIES EMBEDDED IN THE HORIZONTAL MORTAR JOINT SHALL BE 16" ON CENTER. TIES IN ALTERNATE COURSES SHALL BE STAGGERED. THE MAXIMUM VERTICAL DISTANCE BETWEEN TIES SHALL NOT EXCEED 16" AND THE MAXIMUM HORIZONTAL DISTANCE SHALL NOT EXCEED 16" ADDITIONAL TIES SHALL BE PROVIDED AT ALL OPENINGS, AND WITHIN 12" OF THE OPENING.
- CORE FILL ENTIRE BLOCK WALL WHEN THE WALL IS 4'-0" TALL OR HIGHER. INSTALL #4 REBAR IN EACH HOLLOW AREA OF EACH BLOCK FROM FOOTING TO TOP OF WALL. ON THE ENTIRE WALL PRIOR TO CORE FILLING IT.
- TOP COURSE OF BLOCK ON ALL WALLS WILL BE FILLED SOLID WITH MORTAR PLACING THE FOUNDATION STRAPS OR BOLTS IN THE MORTAR 6'-0" ON CENTER, AND 12" FROM EACH CORNER.
- 12"x16" PIERS: HOLLOW MASONRY UP TO 48" HIGH, SOLID MASONRY UP TO 90" HIGH
- 16"x16" PIERS: HOLLOW MASONRY UP TO 64" HIGH, SOLID MASONRY UP TO 120" HIGH
- BLOCK PIERS SHOULD BE PLACED DIRECTLY ON CONCRETE FOOTINGS PER PLAN. THEY SHOULD BE PLUMBED AND SQUARE WITHIN 1/4".
- SILL PLATES TO BE A MINIMUM OF 2x4 NOMINAL LUMBER.

BASEMENTS:

- SLOPE CONCRETE SLAB 4" MINIMUM TOWARDS GARAGE DOOR
- EXTERIOR FLATWORK/GARAGES SHALL HAVE A MINIMUM CONCRETE STRENGTH OF 4,500 PSI
- FOOTINGS TO A MINIMUM CONCRETE STRENGTH OF 2500 PSI, UNLESS OTHERWISE NOTED- ALL FOUNDATION WALLS TO BE CAST IN PLACE CONCRETE 3000 PSI MIN. UNLESS OTHERWISE NOTED.
- BASEMENT WINDOW LOCATIONS MAY VARY FROM DRAWING DUE TO LOT CONDITIONS.
- BACKFILL ADJACENT TO FOUNDATION WALLS SHALL NOT BE PLACED UNTIL THE WALL HAS SUFFICIENT STRENGTH AND HAS BEEN ANCHORED TO THE FLOOR OR HAS BEEN SUFFICIENTLY BRACED TO PREVENT DAMAGE BY THE BACKFILL.
- ASSUMED ALLOWABLE SOIL BEARING PRESSURE: 2,000 p.s.f.
- WATERPROOF FOUNDATION WITH BITUMINOUS SPRAY.
- VERTICAL CONTROL JOINTS IN BASEMENT FOUNDATION WALLS - STANDARD LOCATION GUIDELINES:
 - 1) PLACE A CONTROL JOINT IN ALL UNBRACED WALLS OVER 30' IN LENGTH. (NOTE: "T" WALLS AND CORNERS COUNT AS A BRACE).
 - 2) WINDOWS THAT ARE LARGER THAN THE STANDARD BASEMENT WINDOW REQUIRE A CONTROL JOINT.
 - 3) CONTROL JOINTS ARE NOT REQUIRED AT EVERY WINDOW THAT IS STANDARD SIZE.
 - 4) IF THERE IS A STANDARD WINDOW LOCATED IN A WALL SEGMENT THAT REQUIRES A CONTROL JOINT, THEN THE CONTROL JOINT SHOULD BE PLACED ON THE SIDE OF THE WINDOW THAT IS ADJACENT TO THE LONG SIDE OF THE WALL. IF THERE IS MORE THAN ONE WINDOW IN A WALL THEN ONLY ONE WINDOW SHOULD HAVE A CONTROL JOINT.
 - 5) DOORS DO NOT GET CONTROL JOINTS.
 - 6) CONTROL JOINTS SHOULD NOT BE LOCATED WITHIN 3' OF A BEAM POCKET.
 - 7) CONTROL JOINTS ARE REQUIRED AT THE FIRST AND LAST STEP DOWN AT STEPPED BASEMENT FOUNDATION WALLS.
- INTERIOR FLATWORK SHALL HAVE A MINIMUM CONCRETE STRENGTH OF 3,000 PSI.
- ALL VERTICAL STEEL AND ALL STEEL IN STRUCTURAL SLABS TO BE GRADE 60. ALL HORIZONTAL STEEL IN FOUNDATION WALLS AND FOOTERS TO BE GRADE 40 STEEL.

FRAMING NOTES

DESIGN LOADS:

FLOORS: 40 psf LIVE LOAD + 10 psf DEAD LOAD = 50 psf GARAGE FLOOR: 50 psf LIVE LOAD SEISMIC: "A" & "B"
 ROOF: 18 psf LIVE LOAD + 17psf DEAD LOAD = 35 psf WIND SPEED: 120 MPH

DESIGN DEFLECTION LIMITS (BASED ON LIVE LOAD, EXCEPT MASONRY):

RAFTERS GREATER THAN 3:12 L/180 CEILINGS L/240
 MASONRY VENEER L/600
 NOMINAL LUMBER FLOORS: L/360

MANUFACTURED WOOD FLOORS: DESIGNED TO MINIMUM PRO RATING OF 35 (OR EQUIVALENT), NO MORE THAN 8 POINT DIFFERENCE BETWEEN ADJACENT SPANS.
 L/480 FOR SPANS UP TO 16'-0" AND NO GREATER THAN 1/2" DEFLECTION
 L/600 FOR SPANS OVER 16'-0" IF SIMPLE SPAN AND NO GREATER THAN 1/2" DEFLECTION
 L/840 FOR SPANS OVER 16'-0" IF CONTINUOUS SPAN. AND NO GREATER THAN 1/2" DEFLECTION

- JOIST SPACING: 19.2" o.c. MAXIMUM SPACING
- DOUBLE EVERY OTHER FLOOR JOIST UNDER KITCHEN ISLANDS
- INSTALL UNCOUPLING MEMBRANE IN TILE FLOOR AREAS IF 19.2" o.c. FLOOR JOIST SPACING
- GLUE AND MECHANICALLY FASTEN [SCREWS] WOOD FLOOR IF 19.2" o.c. FLOOR JOIST SPACING

- MANUFACTURED WOOD PRODUCTS (INCLUDING, BUT NOT LIMITED TO, STRUCTURAL WOOD BEAMS AND I-JOISTS) SHALL BE FABRICATED, HANDLED, AND INSTALLED IN ACCORDANCE WITH THE MANUFACTURER'S INSTRUCTIONS.
- JOISTS ARE NOT TO BE PLACED DIRECTLY OVER INTERIOR PARALLEL WALLS. (TO PREVENT UNEVEN FLOOR DEFLECTION FROM OCCURRING)
- ALL WOOD BEAMS/HEADERS: 2x6's TO BE SPF STUD GRADE OR BETTER/ 2x8 OR LARGER TO BE SYP #2 [PER NDS 2012] OR BETTER, U.O.N.
- ALL HEADERS SHALL BE SUPPORTED BY (1) 2x JACK STUD AND (1) 2x KING STUD MINIMUM. THE NUMBER OF STUDS SPECIFIED AT A SUPPORT INDICATES THE NUMBER OF JACKS REQUIRED, U.N.O. AT FLUSH OR DROPPED BEAMS, THE NUMBER OF STUDS SPECIFIED INDICATES THE TOTAL NUMBER OF STUDS REQUIRED TO SUPPORT THE BEAM.
- EXTERIOR WALLS TO BE 2x4 SPF STUD GRADE AT 16" o.c. UNLESS OTHERWISE NOTED (10'-4-1/2" MAXIMUM WALL HEIGHT)
- ALL INTERIOR BEARING WALLS AND WALLS AT BASEMENT & FIRST FLOOR STAIRWELLS, KITCHEN, BATH, & GARAGE TO BE 2x4 SPF STUD GRADE @ 16" o.c.; ALL OTHER NON-BEARING INTERIOR WALLS TO BE 2x4 SPF STUD GRADE @ 24" o.c. U.O.N.
- ALL WALLS TO BE 3 1/2" UNLESS OTHERWISE NOTED.
- PROVIDE SOLID BEARING TO FOUNDATION OR BEAM BELOW FOR ALL BEAMS, HEADERS & GIRDER TRUSSES. PROVIDE BLOCKING BETWEEN JOISTS AS REQUIRED.
- SEE SELECTION SHEET FOR SIZE AND STYLE OF FIREPLACE. SEE FIREPLACE ELEVATION DETAIL FOR ADDITIONAL FRAMING REQUIREMENTS, IF ANY.
- CHECK SELECTION SHEETS FOR FLOOR COVERING AT TOP AND BOTTOM OF STAIR RISERS AND ADJUST RISERS AS REQ'D.
- PROVIDE BLOCKING AT ALL HANDRAIL TERMINATION AND BRACKET LOCATIONS.
- 20-MINUTE FIRE RATED DOOR BETWEEN GARAGE AND LIVING AREA.
- EXTERIOR WALL TO BE 2x4 SPF STUD G AT 16" o.c. UNLESS OTHERWISE NOTED (10'-0" MAXIMUM UNBRACED WALL HEIGHT).
- ALL EXTERIOR WALLS AND INTERIOR BEARING WALLS, FRAMED HIGHER THAN THE STANDARD PLATE HEIGHT, SHALL BE FRAMED WITH CONTINUOUS FULL HEIGHT STUDS TO THE HIGHEST CEILING (I.E. NO INTERMEDIATE BREAKS) TO PREVENT LATERAL HINGE CONDITIONS.
- IN THE GARAGE, PROVIDE 1/2" GYP. BOARD AT ALL WALLS COMMON TO LIVING SPACE AND ALL STRUCTURAL MEMBERS SUPPORTING FLOOR/CEILING ASSEMBLY. GARAGE CEILING TO BE 1/2" SAG RESISTANT GYP. BOARD WHEN THERE ARE NO HABITABLE SPACES ABOVE, OR 5/8" TYPE X GYP. BOARD WHEN HABITABLE SPACES ARE ABOVE.
- ALL EMERGENCY ESCAPE & RESCUE OPENINGS TO BE A MAXIMUM OF 44" OFF OF FINISHED FLOOR AND HAVE MINIMUM OPENING DIMENSIONS OF 24" IN HEIGHT, 20" IN WIDTH, & HAVE A MINIMUM OPENING AREA OF 5.7 S.F.
- ALL DOORS TO BE 6'-8" TALL UNLESS OTHERWISE NOTED.
- ALL GLASS IN INTERIOR AND EXTERIOR DOORS TO BE TEMPERED (INCLUDING SIDELITES AND TRANSOMS)
- ALL LUMBER CONTACTING CONCRETE TO BE PRESSURE TREATED.
- ALL FASTENERS, HANGERS, AND OTHER CONNECTORS TO BE USED WITH PRESSURE TREATED WOOD ARE TO HAVE ZMAX COATING (OR EQUIVALENT) HOT-DIPPED GALVANIZED OR STAINLESS STEEL.
- AT STAIR HANDRAIL, ON ONE SIDE ONLY, SHALL BE CONTINUOUS FOR THE ENTIRE LENGTH OF THE STAIRWAY, AND ENDS SHALL BE RETURNED TO A WALL OR POST. THE HANDRAIL MAY BE INTERRUPTED AT A NEWEL POST AT A TURN.
- ALL HANDRAIL GRIP PORTIONS SHALL NOT EXCEED 2-1/4" IN CROSS SECTIONAL DIMENSION.
- HANDRAILS SHALL BE INSTALLED ON ALL STAIRS WITH 2 OR MORE RISERS, HANDRAIL HEIGHTS SHALL BE A MINIMUM OF 34" AND A MAXIMUM OF 38".
- ALL STAIRS TO BE CONSTRUCTED SO AS NOT TO ALLOW A 4" SPHERE TO PASS THROUGH THE RISER.
- GUARDRAILS MUST BE A MINIMUM OF 36" HIGH. GUARDRAILS AT THE OPEN SIDES OF STAIRS MUST BE A MINIMUM OF 34" HIGH MEASURED VERTICALLY FROM THE NOSING AT THE TREADS. THE HORIZONTAL SPACING OF THE VERTICAL BALUSTERS SHALL BE 4" O.C.
- GUARDRAIL DESIGN TO RESIST A MINIMUM OF 200 LBS LATERAL FORCE

MECHANICAL/ELECTRICAL NOTES

- ANY GAS APPLIANCES MUST BE INSTALLED PER MANUFACTURER'S SPECIFICATIONS.
- HOLD THE CENTERLINE OF ALL EXTERIOR LIGHT FIXTURES AT 5'-8" OFF BOTTOM OF DOOR OPENING.
- ALL KITCHEN CABINET DIMENSIONS ARE CABINET TO CABINET.
- CABINET STYLES MAY VARY FROM INTERIOR ELEVATIONS DEPENDING ON STYLE, MANUFACTURER, ETC. FOR CABINET DETAILS SEE SHOP DRAWINGS.
- CABINET SIZES MAY VARY WITH FULL-OVERLAY CABINETS.
- GROUND FAULT INTERRUPTER (GFCI) OUTLETS TO BE INSTALLED PER NEC 2017, SECT. 210.8
- PROVIDE HOSE BIBS PER DIVISION SPEC. SHEET. EXACT LOCATION TO BE FIELD DETERMINED UNLESS OTHERWISE NOTED ON THE PLANS.
- MIN. 50 C.F.M. FOR ALL EXHAUST FANS IN BATHROOMS

INSULATION DETAILS

EXTERIOR STUD WALL CAVITY: (2x4) R-15
 (2x6) R-19
 FLOOR JOIST CAVITY AT STANDARD PERIMETER: R-19
 FLOOR JOIST CAVITY AT CANTILEVER: R-19
 OVER GARAGE: (OVER HORIZONTAL SPACE) R-38 BLOWN
 (SLOPED AND VERTICAL SPACE) R-38 BATT

ELEVATION NOTES

- WINDOW STYLE AND MULLIONS MAY VARY FROM ELEVATION DEPENDING UPON MANUFACTURER, STYLE, PATTERN, TYPE, ETC.
- USE SECONDARY HEAT BARRIER ON ALL DIRECT VENT FIREPLACES 7" OR LESS ABOVE A WALKWAY.
- GRADE AWAY FROM FOUNDATION WALLS SHALL FALL A MINIMUM OF 6" WITHIN THE FIRST 10'.
- PROVIDE TYVEK OR EQUIVALENT HOUSE WRAP BEHIND BRICK AND STONE VENEER OVER WOOD SHEATHING.
- PROVIDE BRICK WEEP HOLES AT 24" O.C. WITH BRICK VENEER AND MORTER NET BEHIND AND THROUGH WEEP HOLES.
- PROVIDE FLASHING AND WEEP HOLES ABOVE ALL BRICK ANGLE IRONS, BELOW ALL BRICK SILLS AND ABOVE SILL PLATE SEALERS.
- EXTERIOR STEPS TO HAVE A MAXIMUM 8" RISER. WHEN VERTICAL RISE EXCEEDS 30" OR FOUR OR MORE CONTINUOUS RISERS, A HANDRAIL IS REQUIRED.

ROOF PLAN NOTES

- ALL OVERHANGS TO HAVE (2) SOFFIT VENTS PER EACH 8' SOFFIT SECTION.
- PROVIDE BAFFLES AT EXTERIOR TRUSS BEARING FOR VENTILATION.
- PROVIDE 15# FELT PAPER UNDER SHINGLES.

Space for Architect Seal



The Drees Company
 11/30/2022 9:13:34 AM

RESIDENCE FOR:

BOYD
 64 COMFORT COURT
 SERENITY - 50'

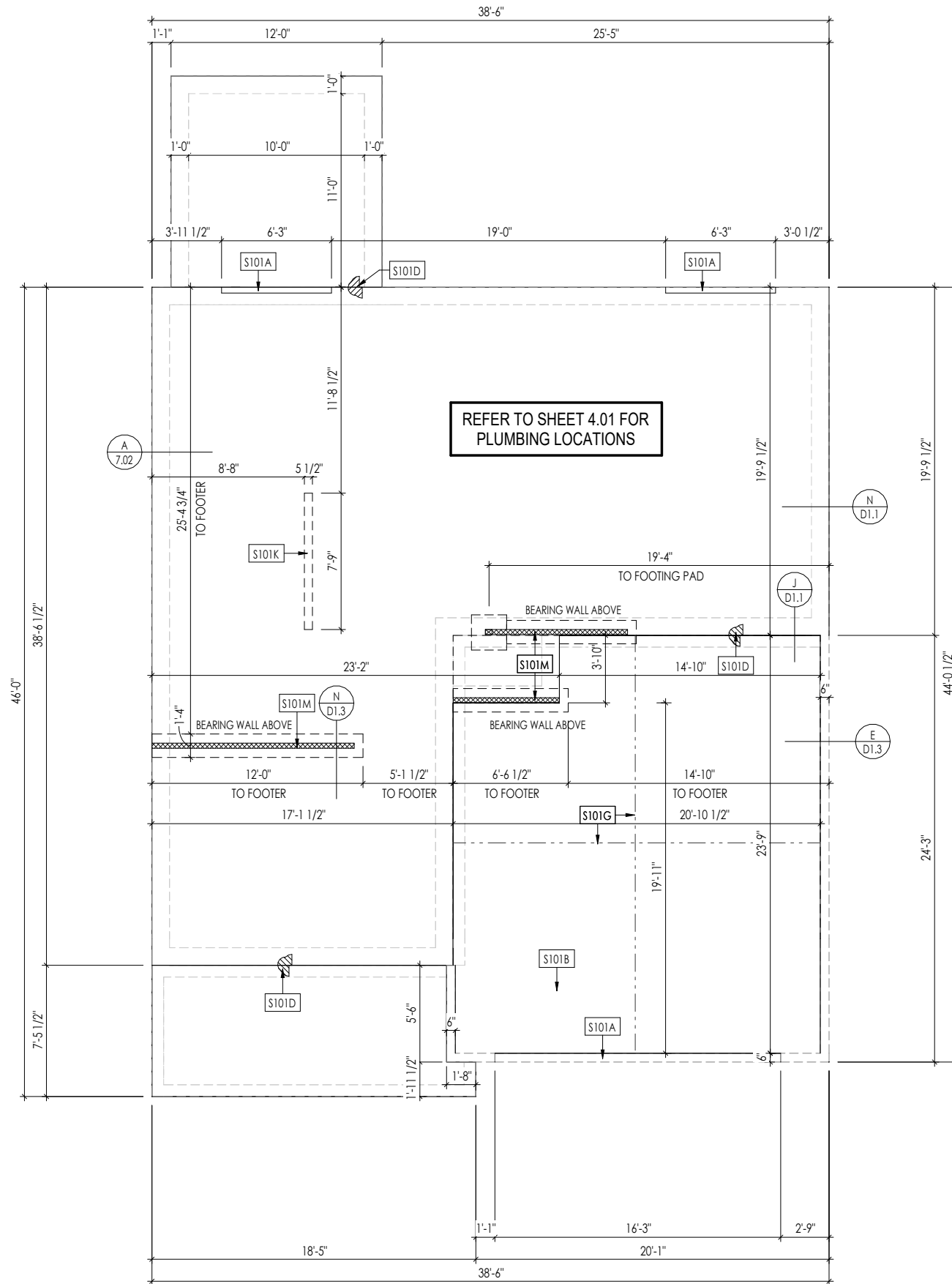
| | | | |
|---------------------------------------|------------------------------------|-------------------------------|-------------------------------------|
| Job Number: STY5-0039-00 | Drawing Date: 11/08/2022 | Coord Name: GREG P. | Coord Phone: 859-578-4355 |
| House Name: the EPIPHANY II | | | Contract Drawn By: SSP |
| Drawing Scale: 1/8" = 1'0" | | | Series: SERIES_NM |
| Born on Date: 01/15/2021 | | | CDs Drawn By: SSP PLAN_NM |

Copyright © 2021 | 2022 | The Drees Company. All Rights Reserved.
 8521 Six Forks Road, Suite 500, Raleigh, NC 27615
 Phone: [919] 844-9288

Sheet Information

0N.1

General Notes
Elevation "B"



1. REFER TO SHEET 0N.1 FOR GENERAL NOTES.

| | |
|-------|--|
| S101A | 3/4" WEATHER LIP (1-1/2" FOR SLIDING GLASS DOOR) |
| S101B | SLOPE SLAB 1/8" PER FOOT |
| S101D | DROP SLAB 3-1/2" |
| S101G | SLAB CONTROL JOINT |
| S101K | PROVIDE CONDUIT FOR ELECTRIC TO KITCHEN ISLAND |
| S101M | 8"x16" THICKENED SLAB UNDER BEARING WALL ABOVE |

Space for Architect Seal



The Drees Company
11/30/2022 9:13:35 AM

RESIDENCE FOR:

BOYD
64 COMFORT COURT
SERENITY - 50'

| | | | |
|-----------------------------|-----------------------------|------------------------|------------------------------|
| Job Number: STY5-0039-00 | Drawing Date: 11/08/2022 | Coord Name: GREG P. | Coord Phone: 859-578-4355 |
|-----------------------------|-----------------------------|------------------------|------------------------------|

| | | |
|--------------------------------|-----------------------------|---------------------------|
| House Name: the EPIPHANY II | Drawing Scale: 1/8" = 1'-0" | Contract Drawn By: SSP |
|--------------------------------|-----------------------------|---------------------------|

| |
|----------------------|
| Series: SERIES_NM |
|----------------------|

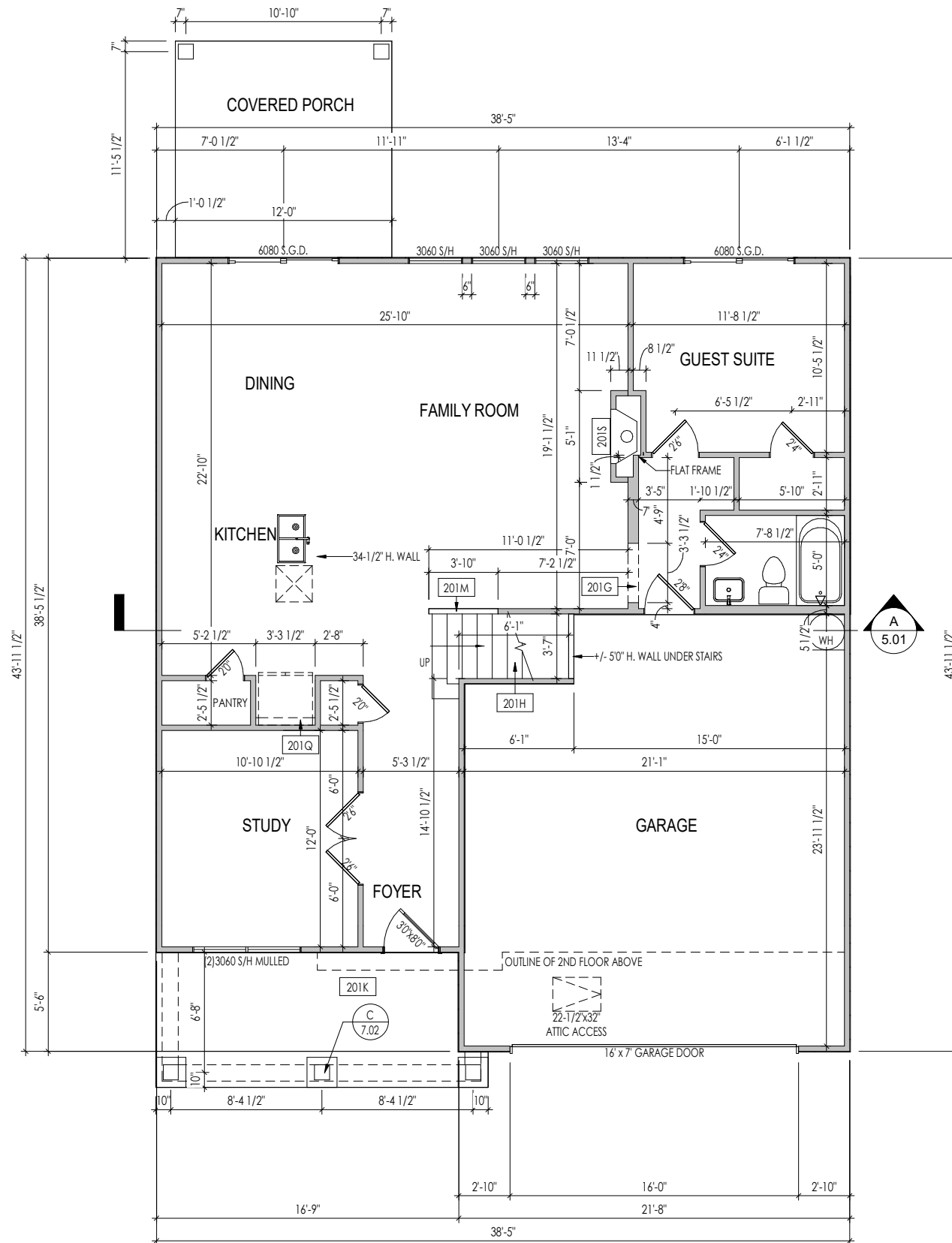
| |
|----------------------|
| Plan No.: PLAN_NM |
|----------------------|

| | |
|--------------------------|-------------------|
| Born on Date: 01/15/2021 | CDs Drawn By: SSP |
|--------------------------|-------------------|

Copyright © 2021 | 2022 | The Drees Company. All Rights Reserved.
8521 Six Forks Road, Suite 500, Raleigh, NC 27615
Phone: [919] 844-9288

Sheet Information

1.01S
Foundation Plan
Elevation "B"



PROVIDE 8' TALL DOORS
THROUGHOUT FIRST FLOOR,
U.N.O.

- General Notes:**
1. REFER TO SHEET 01 FOR GENERAL NOTES.
 2. 10'-1" STANDARD PLATE HEIGHT THROUGHOUT FIRST FLOOR, UNLESS OTHERWISE NOTED.
 3. 10'-1" STANDARD CEILING HEIGHT THROUGHOUT FIRST FLOOR, UNLESS OTHERWISE NOTED FRAME TOP OF
 4. FRAME TOP OF ALL WINDOWS AT 1'-10" BELOW TOP OF PLATE, UNLESS OTHERWISE NOTED.
 5. ALL DROPPED, INTERIOR HEADERS (FALSE AND BEARING) ARE DROPPED 1'-3" FROM CEILING.
 6. REFER TO SELECTION SHEETS FOR FLOORING MATERIAL PRIOR TO CONSTRUCTING STAIRS TO DETERMINE RISER HEIGHTS.
 7. REFER TO SHEET 2.01S FOR STRUCTURAL INFORMATION.

Key Notes:

| | |
|------|--|
| 201G | TOP OF OPENING AT 8'10" A.F.F. |
| 201H | RE: DETAIL D/7.01 FOR STAIR FRAMING DETAILS |
| 201K | CARPENTER TO DROP ELECTRICAL WIRE THROUGH PORCH CEILING FOR LIGHTS |
| 201M | 36" HIGH SLOPED WALL WITH STAIR STRINGER |
| 201Q | REFRIG. HEADER HELD AT 6'-1 1/2" A.F.F. |
| 201S | PRE-FABRICATED FIREPLACE INSERT |

Space for Architect Seal

The Drees Company
11/30/2022 9:13:35 AM

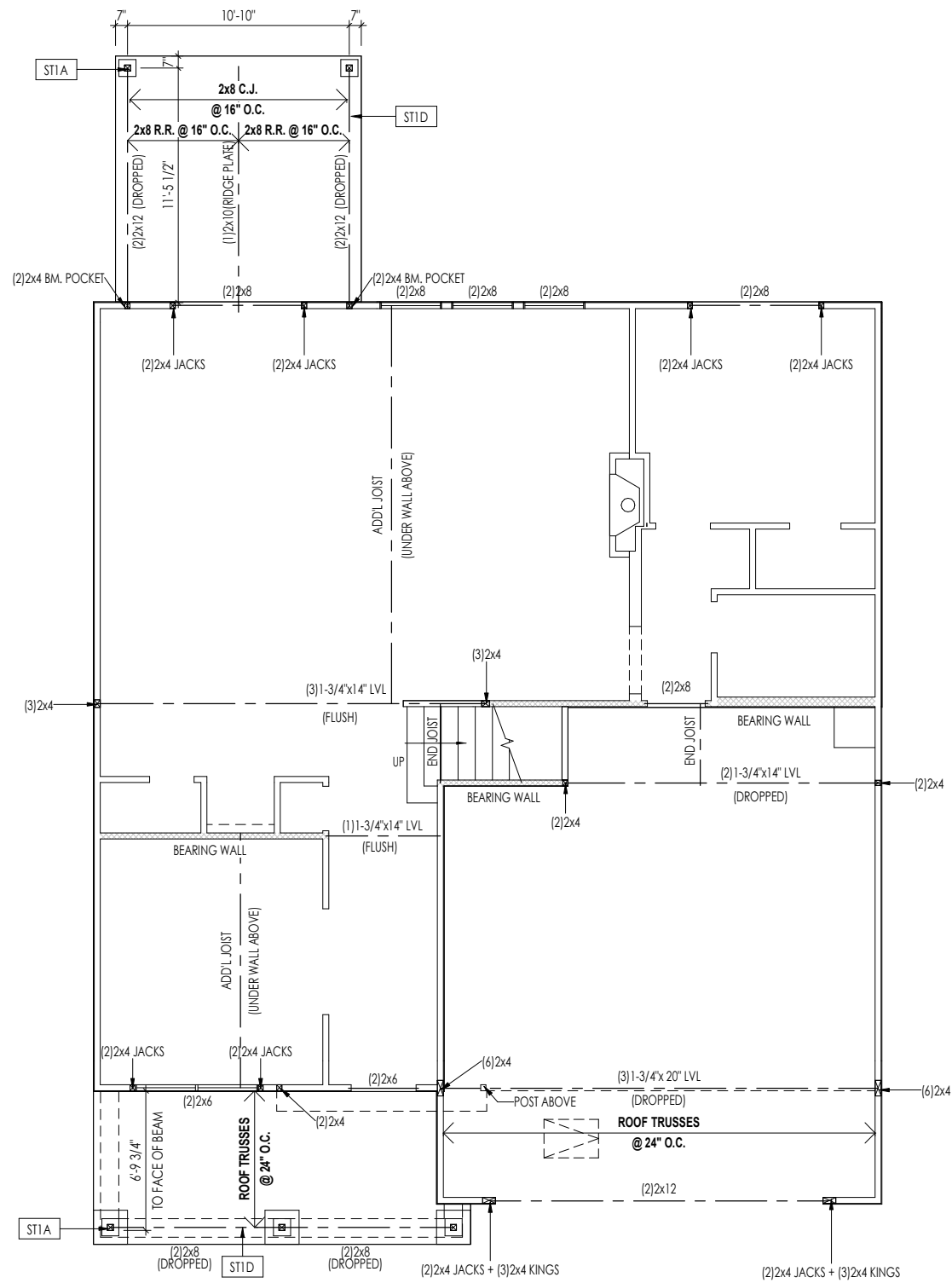
RESIDENCE FOR:
BOYD
64 COMFORT COURT
SERENITY - 50'

| | | | |
|--------------------------------|-----------------------------|----------------------------|------------------------------|
| Job Number: STY5-0039-00 | Drawing Date: 11/08/2022 | Coord Name: GREG P. | Coord Phone: 859-578-4355 |
| House Name: the EPIPHANY II | | Drawing Scale: 1/8" = 1'0" | |
| Born on Date: 01/15/2021 | | CDs Drawn By: SSP | |
| Contract Drawn By: SSP | | Series: SERIES_NM | |
| Plan No.: | | PLAN_NM | |

Copyright © 2021 (2022) The Drees Company. All Rights Reserved.
8521 Six Forks Road, Suite 500, Raleigh, NC 27615
Phone: [919] 844-9288

Sheet Information

2.01F
First Floor Framing Plan
Elevation "B"



General Notes:

1. REFER TO SHEET SD-1 FOR ENGINEERING NOTES

Key Notes:

- ST1A 4x4 P.T. POST W/ SIMPSON BCS2-2/4 CAP & ABW44Z BASE
- ST1D FRAME TOP OF BEAM AT 10'1\"/>

Space for Architect Seal



The Drees Company
11/30/2022 9:13:35 AM

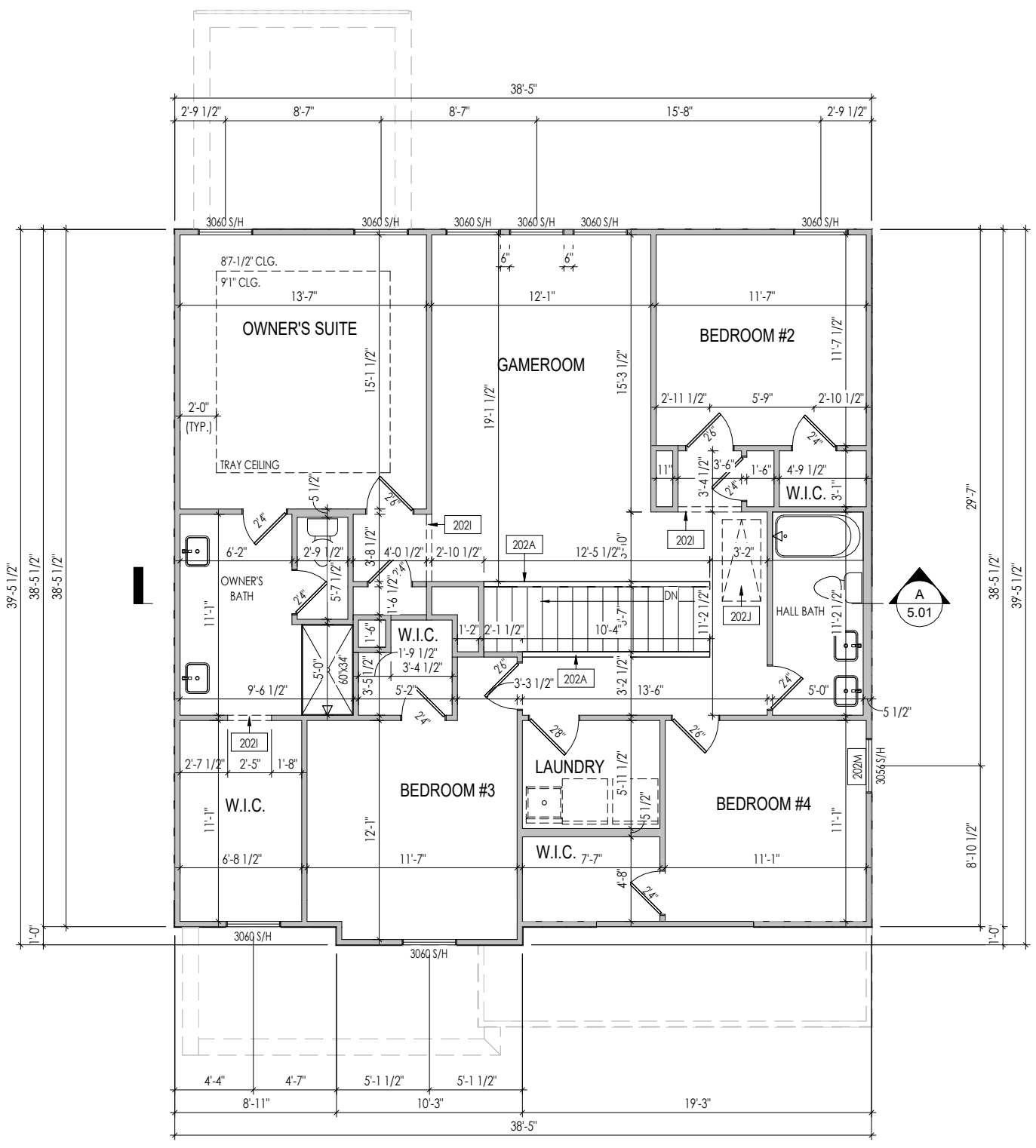
RESIDENCE FOR:
BOYD
64 COMFORT COURT
SERENITY - 50'

| | | | |
|---------------------------------------|------------------------------------|-------------------------------|-------------------------------------|
| Job Number: STY5-0039-00 | Drawing Date: 11/08/2022 | Coord Name: GREG P. | Coord Phone: 859-578-4355 |
| House Name: the EPIPHANY II | | Drawing Scale: 1/8" = 1'0" | |
| Contract Drawn By: SSP | | Series: SERIES_NM | |
| Born on Date: 01/15/2021 | | CDs Drawn By: SSP | |
| Plan No.: PLAN_NM | | | |

Copyright © 2021 (2022) The Drees Company. All Rights Reserved.
8521 Six Forks Road, Suite 500, Raleigh, NC 27615
Phone: [919] 844-9288

2.01S
First Floor Structural Plan
Elevation "B"

Sheet Information



General Notes:

1. REFER TO SHEET 0N.1 FOR GENERAL NOTES.
2. ALL SECOND FLOOR CEILINGS TO BE 9'-1" ABOVE SUBFLOOR UNLESS OTHERWISE NOTED.
3. FRAME TOP OF ALL WINDOWS AT 1'-0 1/4" BELOW TOP OF PLATE UNLESS OTHERWISE NOTED.
4. ALL DROPPED, INTERIOR HEADERS (FALSE AND BEARING) ARE DROPPED 1'-0" FROM CEILING UNLESS CALCULATIONS REQUIRE LARGER HEADERS.
5. REFER TO SELECTION SHEETS FOR FLOORING MATERIAL PRIOR TO CONSTRUCTING STAIRS TO DETERMINE RISER HEIGHTS.
6. REFER TO SHEET 2.02S FOR STRUCTURAL INFORMATION.

Key Notes:

| | |
|------|---|
| 202A | 36" HIGH WALL |
| 202J | TOP OF OPENING AT 8'1" A.F.F |
| 202J | 25-1/2"x54" PULL DOWN STAIRS ATTIC ACCESS |
| 202M | FRAME TOP OF WINDOWS AT 6-1/2" BELOW TOP OF PLATE |

Space for Architect Seal



The Drees Company
11/30/2022 9:13:35 AM

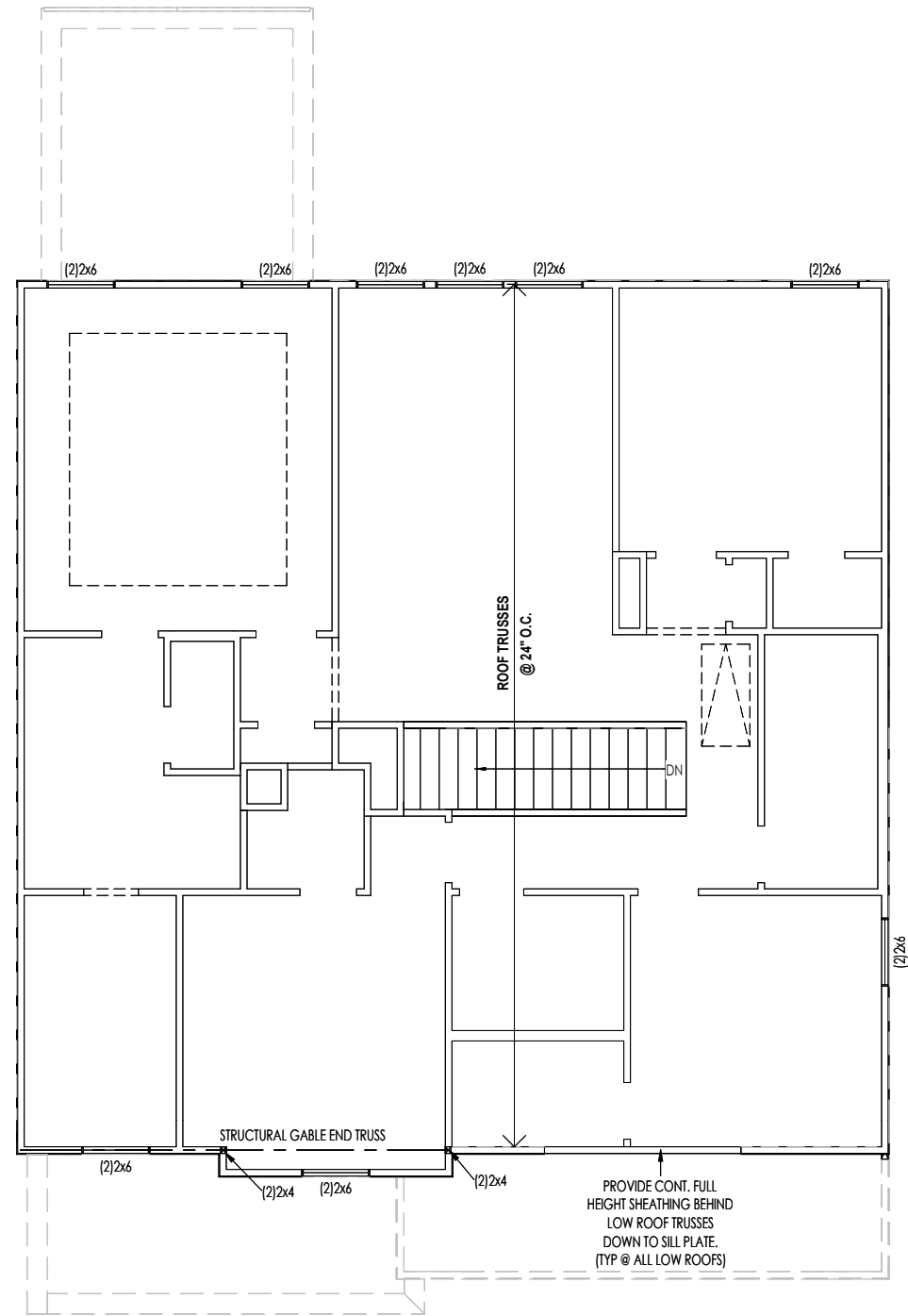
RESIDENCE FOR:
BOYD
64 COMFORT COURT
SERENITY - 50'

| | | | |
|---------------------------------------|------------------------------------|-------------------------------|-------------------------------------|
| Job Number: STY5-0039-00 | Drawing Date: 11/08/2022 | Coord Name: GREG P. | Coord Phone: 859-578-4355 |
| House Name: the EPIPHANY II | | | Contract Drawn By: SSP |
| Born on Date: 01/15/2021 | | | CDs Drawn By: SSP |
| Series: SERIES_NM | | | Plan No.: PLAN_NM |

2.02F

Second Floor Framing Plan
Elevation "B"

Copyright © 2021 | 2022 | The Drees Company. All Rights Reserved.
8521 Six Forks Road, Suite 500, Raleigh, NC 27615
Phone: [919] 844-9288



General Notes:

1. REFER TO SHEET SD-1 FOR ENGINEERING NOTES

Key Notes:

Space for Architect Seal



The Drees Company
11/30/2022 9:13:35 AM

RESIDENCE FOR:
BOYD
64 COMFORT COURT
SERENITY - 50'

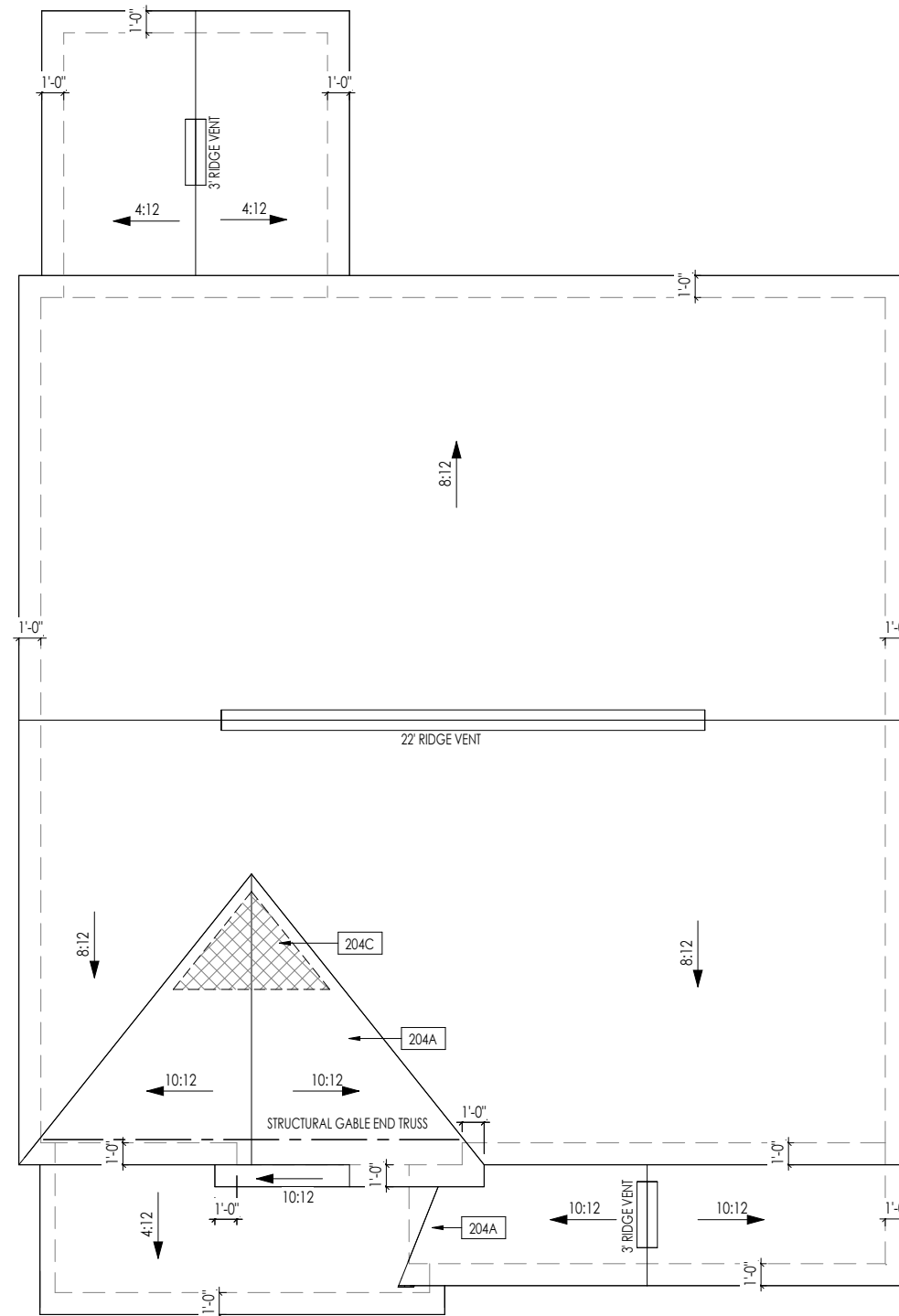
| | | | |
|---------------------------------------|------------------------------------|-------------------------------|-------------------------------------|
| Job Number: STY5-0039-00 | Drawing Date: 11/08/2022 | Coord Name: GREG P. | Coord Phone: 859-578-4355 |
| House Name: the EPIPHANY II | | | Contract Drawn By: SSP |
| Born on Date: 01/15/2021 | | | CDs Drawn By: SSP |
| Series: SERIES_NM | | | Plan No.: PLAN_NM |



2.02S

Second Floor Structural Plan
Elevation "B"

Copyright © 2021 | 2022 | The Drees Company. All Rights Reserved.
8521 Six Forks Road, Suite 500, Raleigh, NC 27615
Phone: [919] 844-9288



| HEEL CUT STANDARDS | | |
|--------------------|----------|---------|
| | OVERHANG | |
| | 1'-0" | 2'-0" |
| 4:12 | 3-3/4" | 7-3/4" |
| 5:12 | 4-3/4" | 9-3/4" |
| 6:12 | 5-3/4" | 11-3/4" |
| 7:12 | 6-3/4" | 13-3/4" |
| 8:12 | 7-3/4" | N/A |
| 9:12 | 8-3/4" | N/A |
| 10:12 | 9-3/4" | N/A |
| 12:12 | 11-3/4" | N/A |
| 14:12 | 13-3/4" | N/A |

General Notes:

1. REFER TO SHEET ON.1 FOR GENERAL NOTES.

Key Notes:

204A VALLEY TRUSS OVER FRAMING @ 24" O.C.

204C NO ROOF DECKING UNDER OVERFRAMING IN THIS AREA TO ALLOW FOR PROPER ATTIC VENTILATION

Space for Architect Seal



The Drees Company
11/30/2022 9:13:36 AM

RESIDENCE FOR:

BOYD
64 COMFORT COURT
SERENITY - 50'

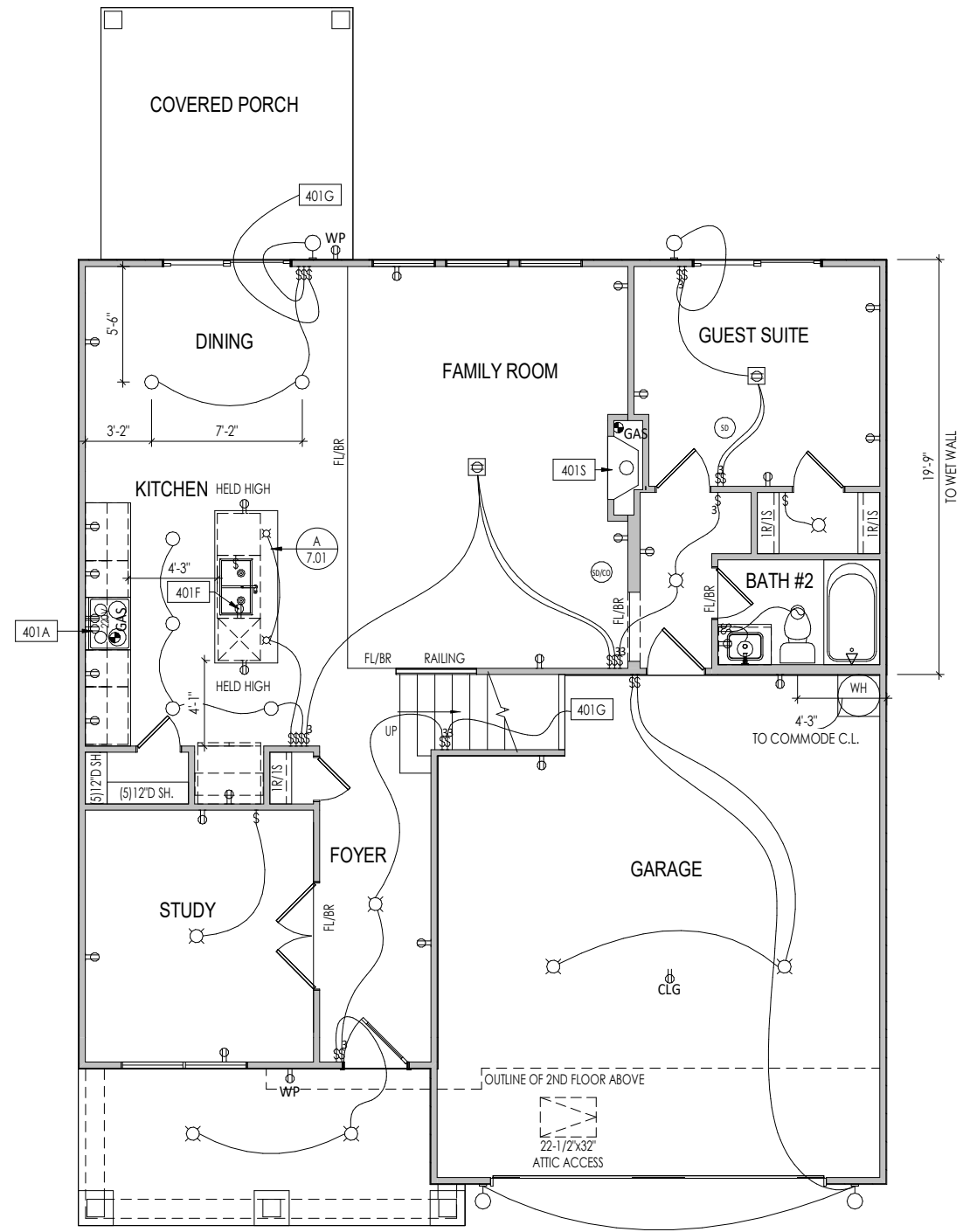
| | | | |
|---------------------------------------|------------------------------------|-------------------------------|-------------------------------------|
| Job Number: STY5-0039-00 | Drawing Date: 11/08/2022 | Coord Name: GREG P. | Coord Phone: 859-578-4355 |
| House Name: the EPIPHANY II | | Drawing Scale: 1/8" = 1'0" | |
| Contract Drawn By: SSP | | | Series: SERIES_NM |
| Born on Date: 01/15/2021 | | | CDs Drawn By: SSP |
| | | | Plan No.: PLAN_NM |

| ROOF VENTILATION | | | |
|---|------------|--------|-------|
| CITY/SERIES: | RALEIGH | | |
| | MAIN HOUSE | GARAGE | REAR |
| TOTAL ATTIC AREA: | 1,647 | 149 | 183 |
| REQUIRED NET FREE VENTILATION (ATTIC AREA/300): | 5.49 | 0.50 | 0.61 |
| ACTUAL NET FREE VENTILATION (UPPER + LOWER): | 5.62 | 0.67 | 1.64 |
| DOWNSPOUT CALCULATION | | | |
| | MAIN HOUSE | GARAGE | REAR |
| TOTAL DRAINABLE ROOF AREA: | 2141.1 | 193.7 | 237.9 |
| MINIMUM # OF DOWNSPOUTS: | 4 | 1 | 1 |



Sheet Information

2.04
Roof Plan
Elevation "B"



General Notes:

1. REFER TO SHEET ON.1 FOR GENERAL NOTES.

Key Notes:

| | |
|------|---|
| 401A | OUTLET FOR RANGE HOOD/MICROWAVE HELD HIGH - VENT TO EXTERIOR |
| 401F | DISPOSAL SWITCH AND OUTLET FOR DISHWASHER LOCATED IN SINK CABINET |
| 401G | TO SWITCH OR LIGHT ABOVE |
| 401I | 22-1/2" x 54" PULL DOWN STAIR WITH LIGHT AND OUTLET |
| 401S | PRE-FABRICATED FIREPLACE INSERT |

MECHANICAL LEGEND

| | | |
|-------------------------|--|--|
| ◀ PHONE JACK | ○ CLG. MOUNTED LIGHT FIXT. | ■ STAIR LIGHT |
| ⊕ WALL OUTLET | ○ SURFACE MOUNT DISC LIGHT OR RECESSED CEILING LIGHT, PER SPECS. | + HOSE BIB |
| ⊕ WEATHERPROOF OUTLET | ○ WALL MOUNTED LIGHT FIXT. | △ SHOWER HEAD |
| ⊕ 220 VOLT OUTLET | ○ DOUBLE SPOTLIGHT FIXT. | ⊕ GAS HOOK UP |
| ⊕ GROUND FAULT OUTLET | ○ DIRECTIONAL CAN LIGHT | ⊕ FLOOR DRAIN |
| ⊕ FLOOR OUTLET | ○ PIN LIGHT | ⊕ SMOKE DETECTOR |
| ⊕ CABLE TELEVISION JACK | ○ WALL SCONCE @ 5'-6" A.F.F. | ⊕ CO DETECTOR |
| ⊕ SINGLE POLE SWITCH | ○ FLUORESCENT LIGHT | ⊕ SMOKE DETECTOR/CO DETECTOR COMBINATION |
| ⊕ 3-WAY SWITCH | ⊕ UNDER CABINET LIGHTING | ⊕ EXHAUST FAN AND LIGHT COMBINATION |
| ⊕ 4-WAY SWITCH | ⊕ BLOCK, MOUNT, & SWITCH FOR FUTURE FAN/LIGHT COMBINATION (CENTER, UNLESS OTHERWISE NOTED) | ⊕ CLG. MTD. EXHAUST FAN |



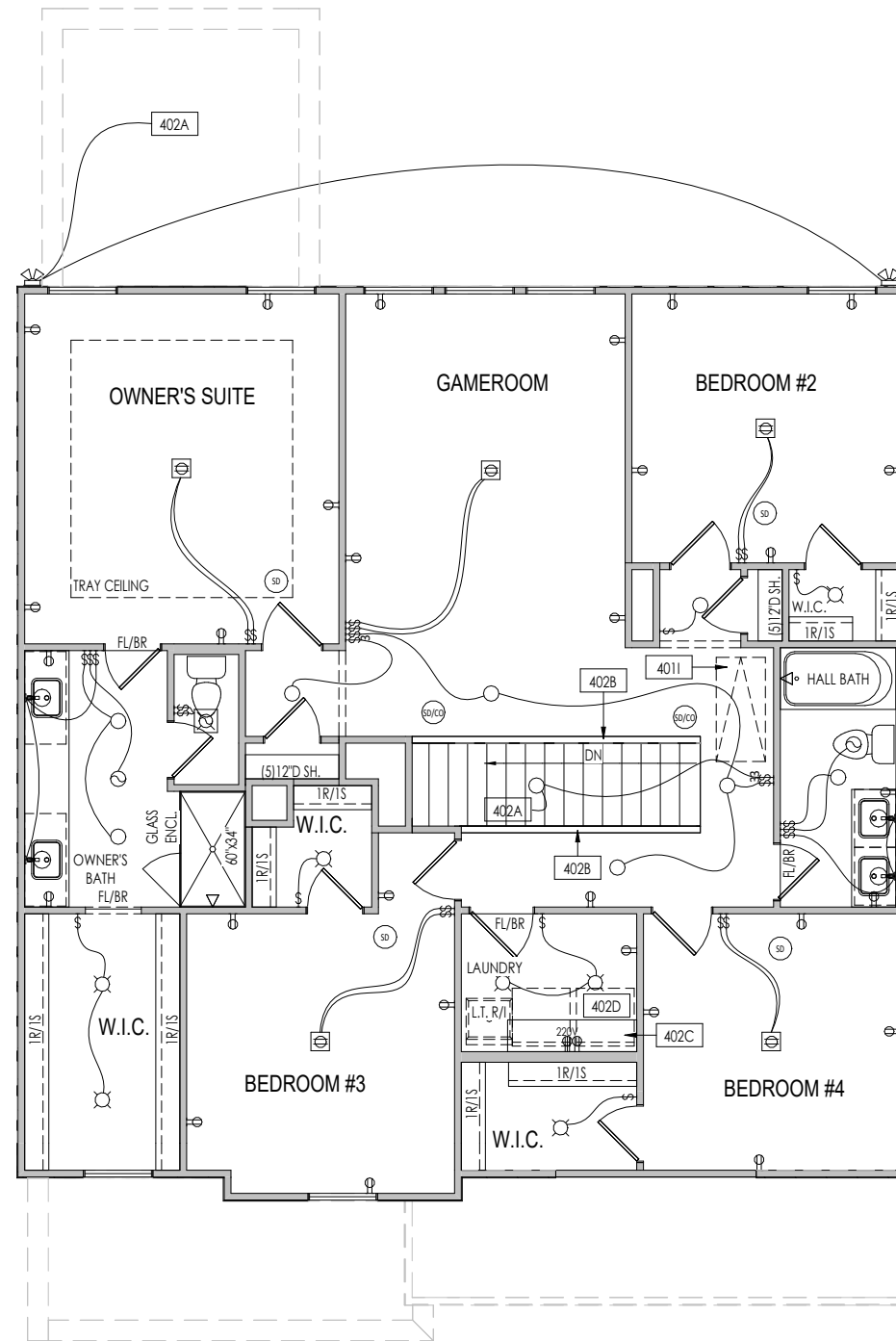
The Drees Company
11/30/2022 9:13:36 AM

RESIDENCE FOR:
BOYD
64 COMFORT COURT
SERENITY - 50'

| | | | |
|---------------------------------------|------------------------------------|-------------------------------|-------------------------------------|
| Job Number: STY5-0039-00 | Drawing Date: 11/08/2022 | Coord Name: GREG P. | Coord Phone: 859-578-4355 |
| House Name: the EPIPHANY II | | | Contract Drawn By: SSP |
| Born on Date: 01/15/2021 | | | CDs Drawn By: SSP |
| Series: SERIES_NM | | | Plan No.: PLAN_NM |

Drees HOMES
Copyright © 2021 | 2022 | The Drees Company. All Rights Reserved.
8521 Six Forks Road, Suite 500, Raleigh, NC 27615
Phone: [919] 844-9288

Sheet Information
4.01
First Floor Mechanical Plan
Elevation "B"



General Notes:

1. REFER TO SHEET ON.1 FOR GENERAL NOTES.

Key Notes:

| | |
|------|--------------------------|
| 402A | TO LIGHT OR SWITCH BELOW |
| 402B | HALF WALL WITH WOOD CAP |
| 402C | 5'6" SHELF @ 57" A.F.F. |
| 402D | WASHER TO LEFT OF DRYER |

MECHANICAL LEGEND

| | | |
|--|--|--|
| ◀ PHONE JACK | ○ CLG. MOUNTED LIGHT FIXT. | ■ STAIR LIGHT |
| ⊕ WALL OUTLET | ○ SURFACE MOUNT DISC LIGHT OR RECESSED CEILING LIGHT, PER SPECS. | + HOSE BIB |
| ⊕ WEATHERPROOF OUTLET | ○ WALL MOUNTED LIGHT FIXT. | △ SHOWER HEAD |
| ⊕ 220 VOLT OUTLET | ⊕ DOUBLE SPOTLIGHT FIXT. | ⊕ GAS HOOK UP |
| ⊕ GROUND FAULT OUTLET | ⊕ DIRECTIONAL CAN LIGHT | ⊕ FLOOR DRAIN |
| ⊕ FLOOR OUTLET | ⊕ PIN LIGHT | ⊕ SMOKE DETECTOR |
| ⊕ CABLE TELEVISION JACK | ⊕ WALL SCONCE @ 5'-6" A.F.F. | ⊕ CO DETECTOR |
| ⊕ SINGLE POLE SWITCH | ⊕ FLUORESCENT LIGHT | ⊕ SMOKE DETECTOR/CO DETECTOR COMBINATION |
| ⊕ 3-WAY SWITCH | ⊕ UNDER CABINET LIGHTING | ⊕ EXHAUST FAN AND LIGHT COMBINATION |
| ⊕ 4-WAY SWITCH | | ⊕ CLG. MTD. EXHAUST FAN |
| ⊕ BLOCK, MOUNT, & SWITCH FOR FUTURE FAN/LIGHT COMBINATION (CENTER, UNLESS OTHERWISE NOTED) | | |

Space for Architect Seal



The Drees Company
11/30/2022 9:13:36 AM

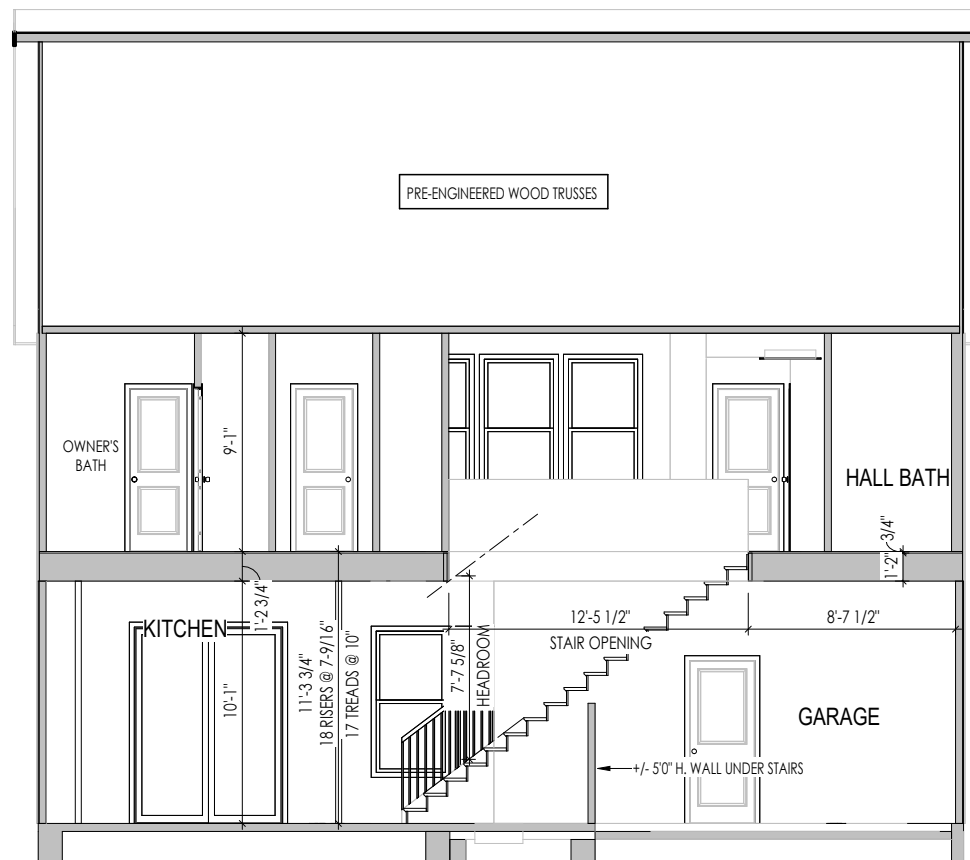
RESIDENCE FOR:

BOYD
64 COMFORT COURT
SERENITY - 50'

| | | | |
|---------------------------------------|------------------------------------|-------------------------------|-------------------------------------|
| Job Number: STY5-0039-00 | Drawing Date: 11/08/2022 | Coord Name: GREG P. | Coord Phone: 859-578-4355 |
| House Name: the EPIPHANY II | | | Contract Drawn By: SSP |
| Born on Date: 01/15/2021 | | | CDs Drawn By: SSP |
| Series: SERIES_NM | | | Plan No.: PLAN_NM |



4.02
Second Floor Mechanical Plan
Elevation "B"



General Notes:

1. REFER TO SHEET ON.1 FOR GENERAL NOTES.

Key Notes:

Space for Architect Seal



The Drees Company
11/30/2022 9:13:36 AM

RESIDENCE FOR:

BOYD
64 COMFORT COURT
SERENITY - 50'

| | | | |
|---------------------------------------|------------------------------------|-------------------------------|-------------------------------------|
| Job Number: STY5-0039-00 | Drawing Date: 11/08/2022 | Coord Name: GREG P. | Coord Phone: 859-578-4355 |
| House Name: the EPIPHANY II | | | Contract Drawn By: SSP |
| Born on Date: 01/15/2021 | | | CDs Drawn By: SSP |
| Series: SERIES_NM | | | Plan No.: PLAN_NM |



Copyright © 2021 | 2022 | The Drees Company. All Rights Reserved.
8521 Six Forks Road, Suite 500, Raleigh, NC 27615
Phone: (919) 844-9288

Sheet Information

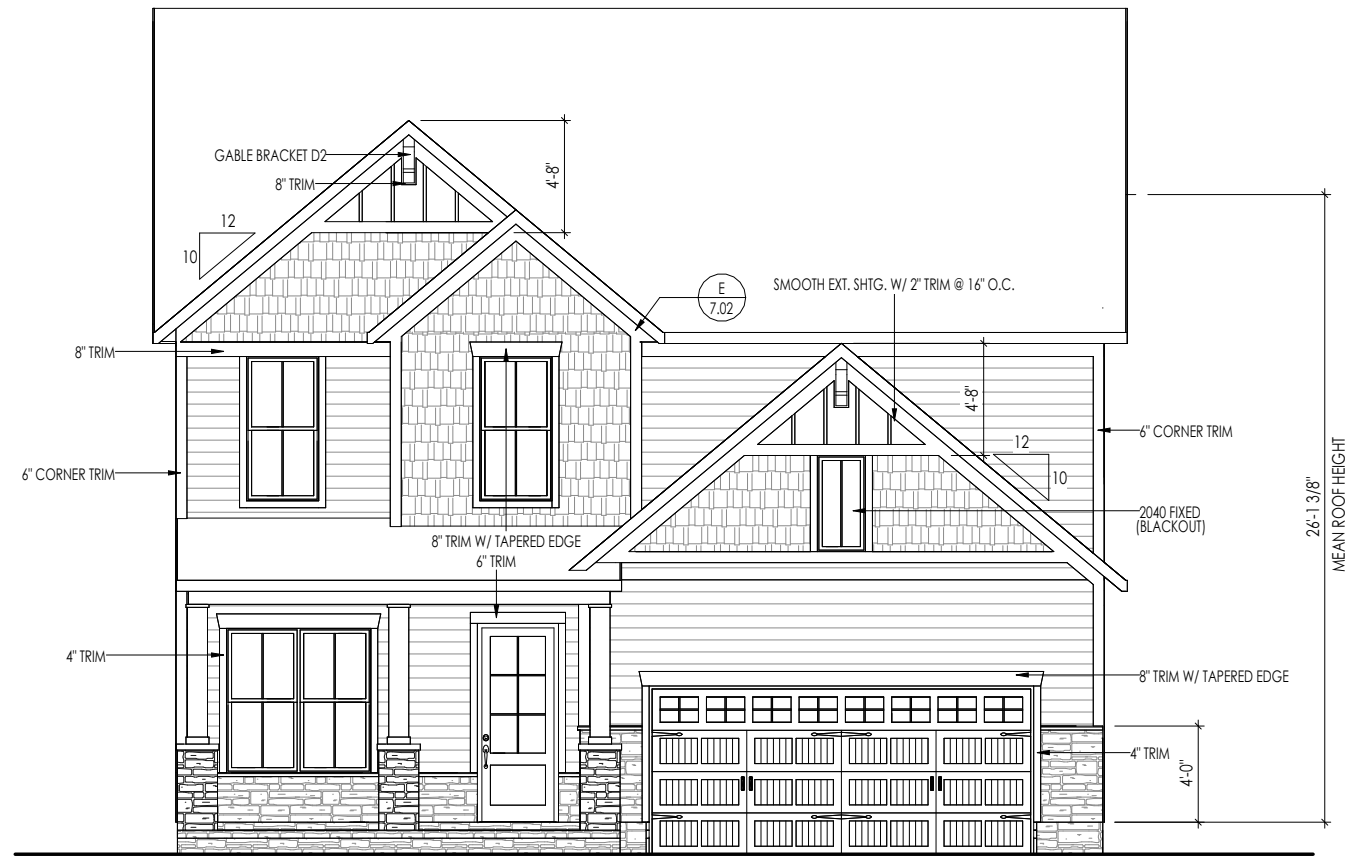
5.01

Building Section
Elevation "B"

| |
|--|
| TYPICAL TRIM: |
| 6" FASCIA (ALL SIDES) |
| 8" FRIEZE (FRONT ONLY, UNLESS OTHERWISE NOTED) |

General Notes:
 1. REFER TO SHEET ON.1 FOR GENERAL NOTES.
 2. ROOFING MATERIAL PER SELECTIONS.
 3. CONTACT M&K ENGINEERING FOR HEADER SIZE/BRICK SUPPORT IF GRADE DROPS AND THE AMOUNT OF BRICK OVER GARAGE DOOR SHOWN ON CURRENT ELEVATION IS NO LONGER ACCURATE

Key Notes:



ELEVATION "B"

Space for Architect Seal

The Drees Company
 11/30/2022 9:13:36 AM

| | | | |
|---|------------------------------------|-------------------------------|-------------------------------------|
| RESIDENCE FOR: BOYD 64 COMFORT COURT SERENITY - 50' | | | |
| Job Number: STY5-0039-00 | Drawing Date: 11/08/2022 | Coord Name: GREG P. | Coord Phone: 859-578-4355 |
| House Name: the EPIPHANY II | | Drawing Scale: 1/8" = 1'0" | Contract Drawn By: SSP |
| Born on Date: 01/15/2021 | | CDs Drawn By: SSP | Series: SERIES_NM |
| | | | Plan No.: PLAN_NM |

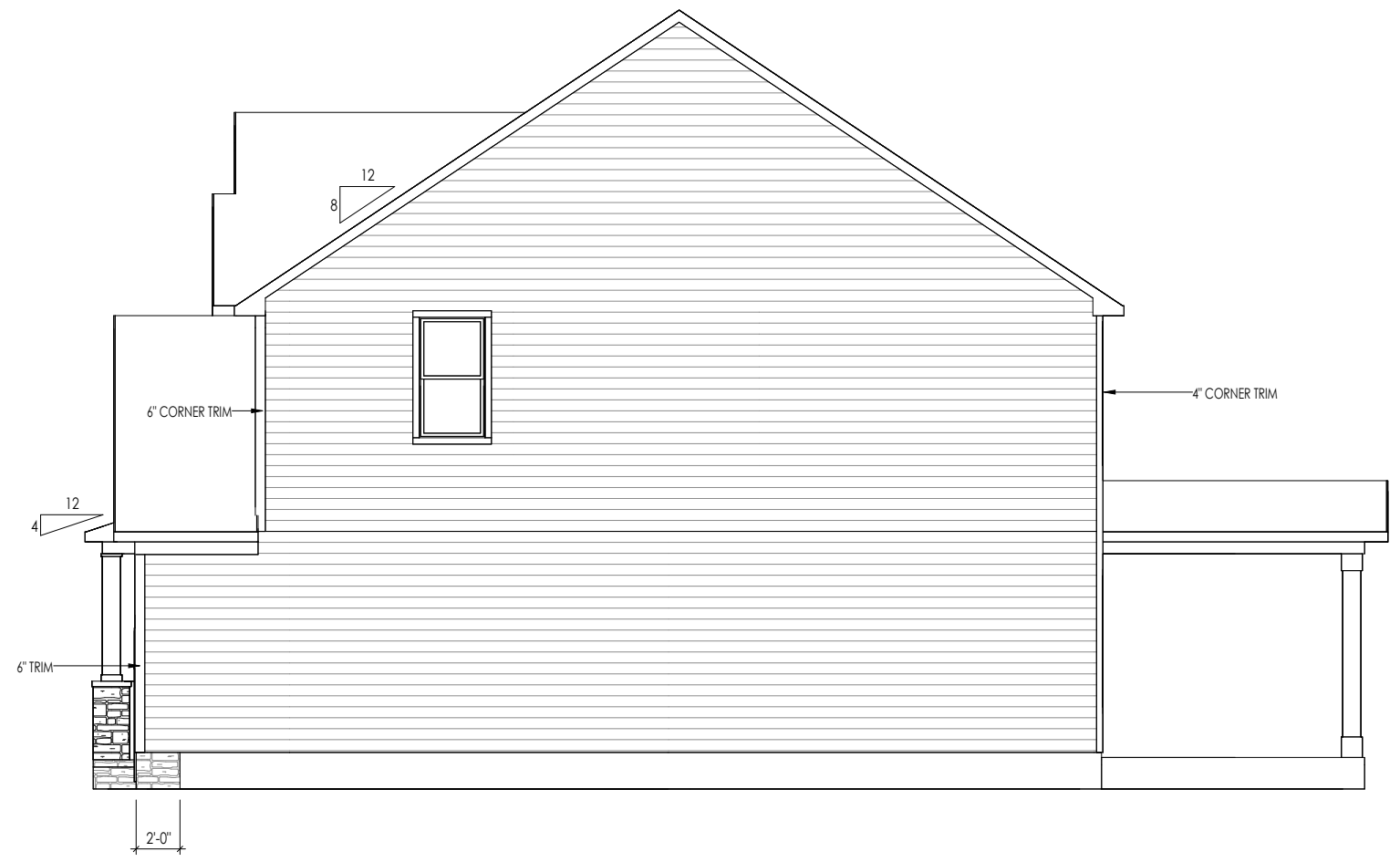
Copyright © 2021 | 2022 | The Drees Company. All Rights Reserved.
 8521 Six Forks Road, Suite 500, Raleigh, NC 27615
 Phone: [919] 844-9288

Sheet Information

6.01

Front Elevation
Elevation "B"

| |
|--|
| TYPICAL TRIM: |
| 6" FASCIA (ALL SIDES) |
| 8" FRIEZE (FRONT ONLY, UNLESS OTHERWISE NOTED) |



General Notes:

1. REFER TO SHEET ON.1 FOR GENERAL NOTES.
2. ROOFING MATERIAL PER SELECTIONS.
3. REFER TO LINTEL SCHEDULE AS NEEDED ON SHEET 6.01.

Key Notes:

Space for Architect Seal



The Drees Company
11/30/2022 9:13:37 AM

RESIDENCE FOR:
BOYD
64 COMFORT COURT
SERENITY - 50'

| | | | |
|---------------------------------------|------------------------------------|-------------------------------|-------------------------------------|
| Job Number: STY5-0039-00 | Drawing Date: 11/08/2022 | Coord Name: GREG P. | Coord Phone: 859-578-4355 |
| House Name: the EPIPHANY II | | | Contract Drawn By: SSP |
| Born on Date: 01/15/2021 | | | CDs Drawn By: SSP |
| Series: SERIES_NM | | | Plan No.: PLAN_NM |

| | | |
|--|-------------------|--|
| <p>Copyright © 2021 2022 The Drees Company. All Rights Reserved. 8521 Six Forks Road, Suite 500, Raleigh, NC 27615 Phone: (919) 844-9288</p> | Sheet Information | 6.02 |
| | | Garage Side Elevation Elevation "B" |

| |
|--|
| TYPICAL TRIM: |
| 6" FASCIA (ALL SIDES) |
| 8" FRIEZE (FRONT ONLY, UNLESS OTHERWISE NOTED) |

General Notes:
 1. REFER TO SHEET ON.1 FOR GENERAL NOTES.
 2. ROOFING MATERIAL PER SELECTIONS.
 3. REFER TO LINTEL SCHEDULE AS NEEDED ON SHEET 6.01.

Key Notes:



Space for Architect Seal

The Drees Company
 11/30/2022 9:13:37 AM

RESIDENCE FOR:
BOYD
 64 COMFORT COURT
 SERENITY - 50'

| | | | |
|---------------------------------------|------------------------------------|-------------------------------|-------------------------------------|
| Job Number: STY5-0039-00 | Drawing Date: 11/08/2022 | Coord Name: GREG P. | Coord Phone: 859-578-4355 |
| House Name: the EPIPHANY II | | | Contract Drawn By: SSP |
| Born on Date: 01/15/2021 | | | CDs Drawn By: SSP |
| Series: SERIES_NM | | | Plan No.: PLAN_NM |

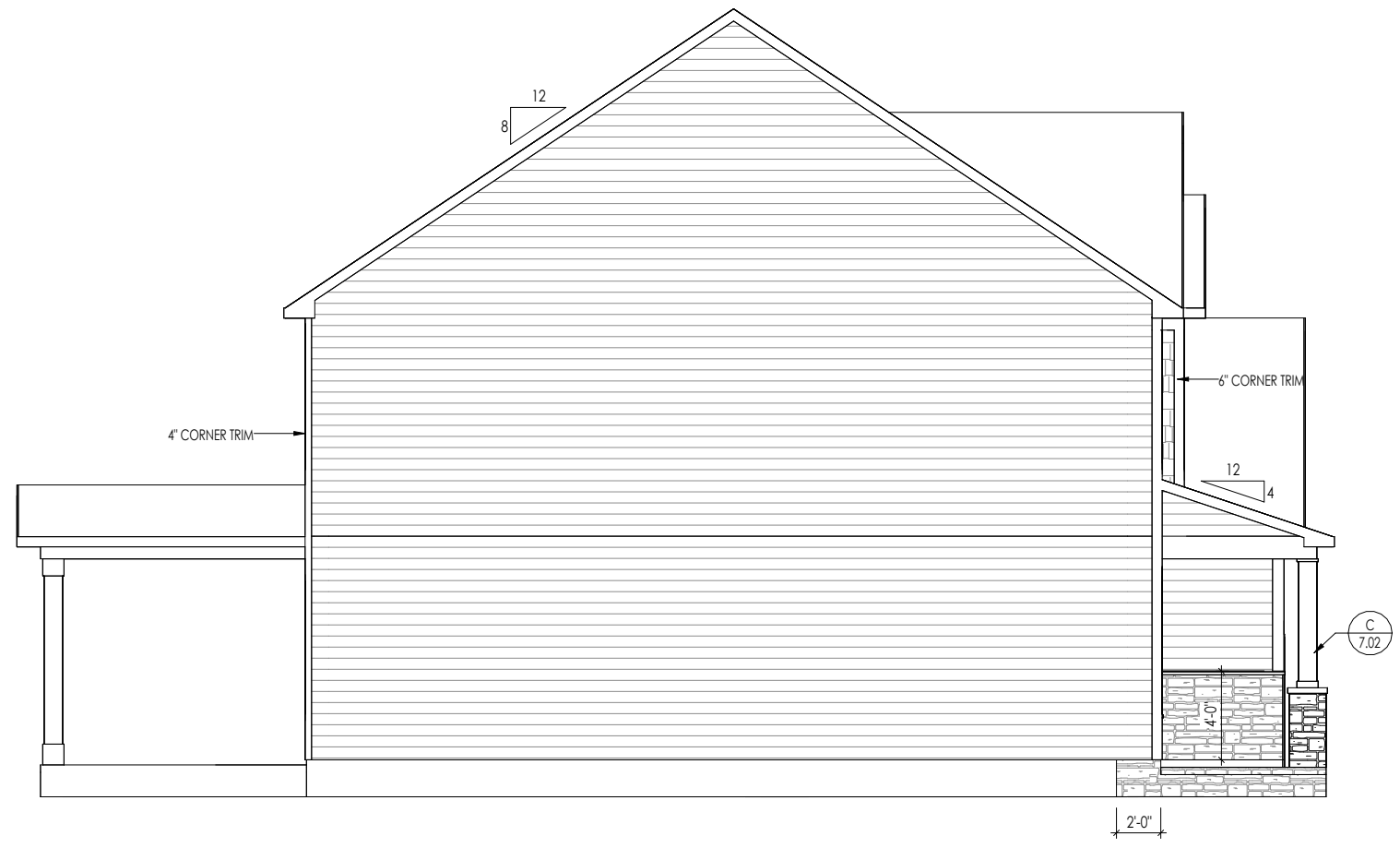
Copyright © 2021 | 2022 | The Drees Company. All Rights Reserved.
 8521 Six Forks Road, Suite 500, Raleigh, NC 27615
 Phone: (919) 844-9288

Sheet Information

6.03

Rear Elevation
 Elevation "B"

| |
|--|
| TYPICAL TRIM: |
| 6" FASCIA (ALL SIDES) |
| 8" FRIEZE (FRONT ONLY, UNLESS OTHERWISE NOTED) |



General Notes:

- REFER TO SHEET ON.1 FOR GENERAL NOTES.
- ROOFING MATERIAL PER SELECTIONS.
- REFER TO LINTEL SCHEDULE AS NEEDED ON SHEET 6.01.

Key Notes:

Space for Architect Seal

The Drees Company
11/30/2022 9:13:37 AM

RESIDENCE FOR:
BOYD
64 COMFORT COURT
SERENITY - 50'

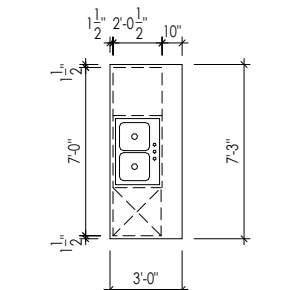
| | | | |
|---------------------------------------|------------------------------------|-------------------------------|-------------------------------------|
| Job Number: STY5-0039-00 | Drawing Date: 11/08/2022 | Coord Name: GREG P. | Coord Phone: 859-578-4355 |
| House Name: the EPIPHANY II | | | Contract Drawn By: SSP |
| Born on Date: 01/15/2021 | | | CDs Drawn By: SSP |
| Series: SERIES_NM | | | Plan No.: PLAN_NM |

Copyright © 2021 | 2022 | The Drees Company. All Rights Reserved.
8521 Six Forks Road, Suite 500, Raleigh, NC 27615
Phone: [919] 844-9288

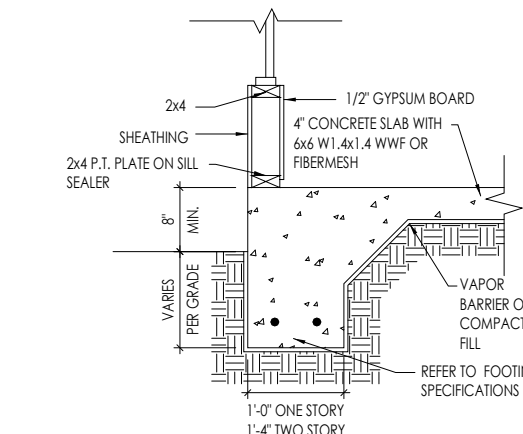
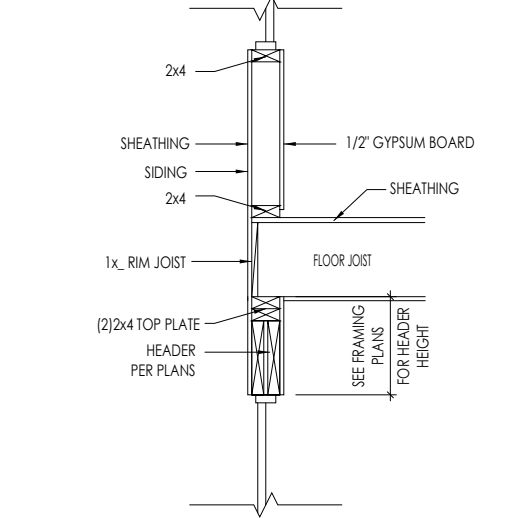
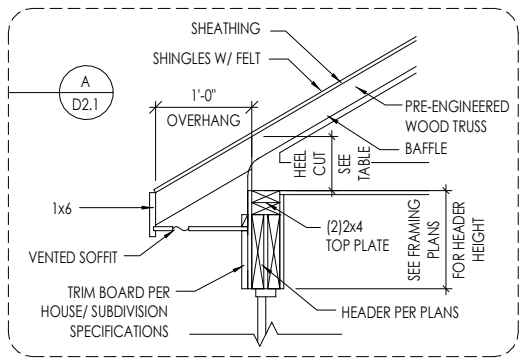
Sheet Information

6.04

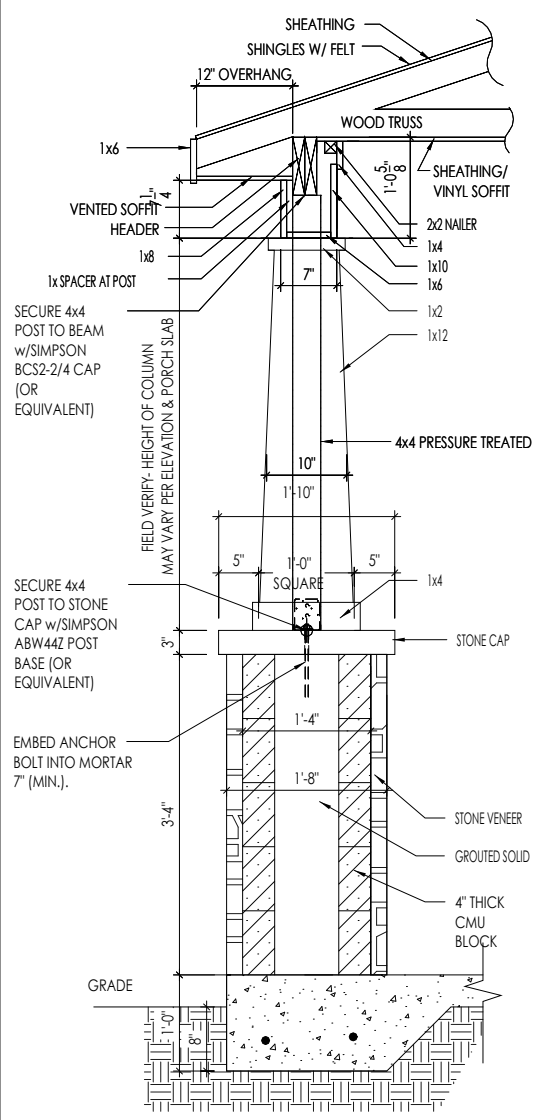
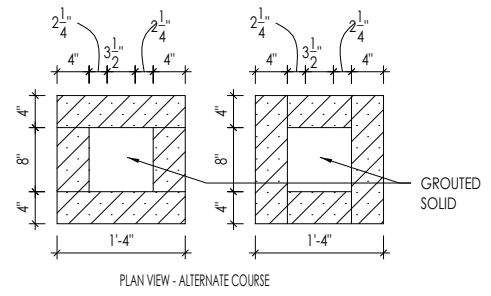
Side Elevation
Elevation "B"



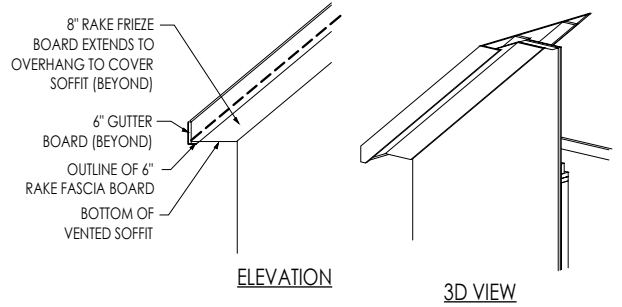
A
7.01 **KITCHEN ISLAND**
SCALE: 1/8" = 1'-0"



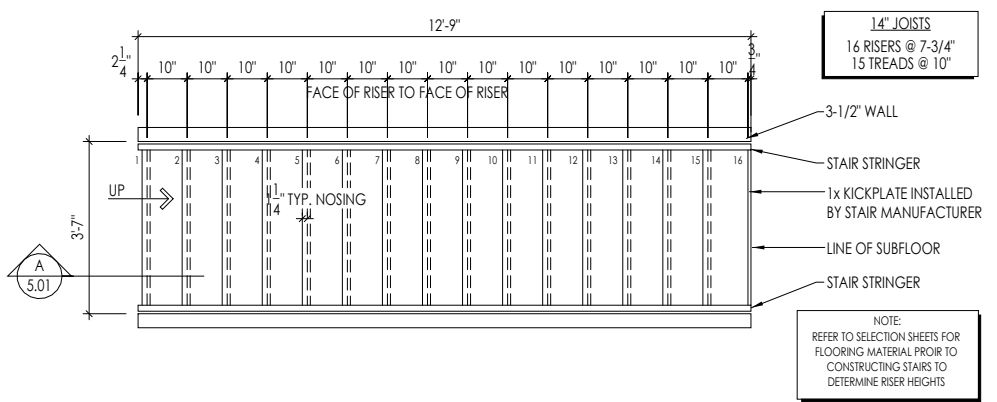
B
7.01 **TYPICAL WALL SECTIONS**
SCALE: 1/2" = 1'-0"



C
7.02 **COLUMN DETAIL**
SCALE: 1/2" = 1'-0"



E
7.01 **RAFTER TAIL DETAIL**
SCALE: 1/4" = 1'-0"



D
7.01 **STAIR FRAMING DETAILS**
SCALE: 1/4" = 1'-0"

Space for Architect Seal

The Drees Company
11/30/2022 9:13:37 AM

RESIDENCE FOR:
BOYD
64 COMFORT COURT
SERENITY - 50'

| | | | |
|---------------------------------------|------------------------------------|-------------------------------|-------------------------------------|
| Job Number: STY5-0039-00 | Drawing Date: 11/08/2022 | Coord Name: GREG P. | Coord Phone: 859-578-4355 |
| House Name: the EPIPHANY II | | Drawing Scale: 1/8" = 1'-0" | |
| Born on Date: 01/15/2021 | | CDs Drawn By: SSP | |
| Contract Drawn By: SSP | | Series: SERIES_NM | |
| Plan No.: PLAN_NM | | | |

8521 Six Forks Road, Suite 500, Raleigh, NC 27615
Phone: [919] 844-9288

Sheet Information

7.01
House Specific Details
Elevation "B"

CONNECTION SPECIFICATIONS (TYP. U.N.O.)

NOTE: 10d NAIL = 3" x 0.131" GUN NAIL

| | |
|---|--|
| JOIST TO SOLE PLATE | (3)10d TOENAILS |
| SOLE PLATE TO JOIST/BLK'G | 10d NAILS @ 6" O.C. |
| STUD TO SOLE PLATE | (3)10d TOENAILS |
| TOP OR SOLE PLATE TO STUD | (3)10d NAILS |
| RIM TO TOP PLATE | 10d TOENAILS @ 6" O.C. |
| BLK'G. BTWN. JOISTS TO TOP PL. | (3)10d TOENAILS |
| RAFTER/TRUSS TO TOP PLATE | (3)10d TOENAILS + (1) SIMPSON H2.5A |
| GAB. END TRUSS TO DBL. TOP PL. | 10d TOENAILS @ 8" O.C. |
| R.T. w/ HEEL HT. 9 1/4" TO 12" | 2x10 BLK EVERY 3RD BAY FASTENED TO DBL. TOP PLATE w/ 10d TOENAILS @ 6" O.C. |
| R.T. w/ HEEL HT. 12" TO 16" | 2x12 BLK EVERY 3RD BAY FASTENED TO DBL. TOP PLATE w/ 10d TOENAILS @ 6" O.C. |
| R.T. w/ HEEL HT. UP TO 24" | LAP WALL SHTG. w/ DBL. TOP PL. & INSTALL ON TRUSS VERT. - FASTEN w/ 8d NAILS @ 6" O.C. |
| R.T. w/ HEEL HT. 24" TO 48" | LAP WALL SHTG. w/ DBL. TOP PL. & INSTALL ON TRUSS VERT. - FASTEN w/ 8d NAILS @ 6" O.C. PROVIDE 2x BLK @ EA. BAY AT TOP OF HEEL |
| DOUBLE STUD | 10d NAILS @ 24" o.c. |
| DOUBLE TOP PLATE | 10d NAILS @ 24" o.c. |
| DOUBLE TOP PLATE LAP SPLICE | (10)10d NAILS IN LAPPED AREA |
| TOP PLATE LAP @ CORNERS & INTERSECTING WALLS | (2)10d NAILS |
| WALL TO FOUNDATION | WALL SHTG. LAP w/ SILL PL. & FASTENED PER SHEAR WALL FASTENING SPEC. |

GARAGE SLAB
4" CONG. SLAB w/ 6x6-WI.4xWI.4 WMF ON 6 MIL VAPOR BARRIER ON 4" MIN. GRANULAR FILL ON 95% COMPACTED FILL/VIRGIN SOIL

PORCH SLAB
4" CONG. SLAB w/ 6x6-WI.4xWI.4 WMF ON 95% COMPACTED FILL/VIRGIN SOIL

BASEMENT SLAB
4" CONG. SLAB ON 6 MIL VAPOR BARRIER ON 4" MIN. GRANULAR FILL ON 95% COMPACTED FILL/VIRGIN SOIL

SLAB ON GRADE
4" CONG. SLAB w/ 6x6-WI.4xWI.4 WMF ON 6 MIL VAPOR BARRIER ON 4" MIN. GRANULAR FILL ON 95% COMPACTED FILL/VIRGIN SOIL

VENEER LINTEL SCHEDULE

| SPAN (MAX) | HEIGHT OF VENEER ABOVE LINTEL | STEEL ANGLE SIZE |
|------------|-------------------------------|------------------|
| 3'-0" | 20 FT. MAX | L3"x3"x1/4" |
| 6'-0" | 3 FT. MAX | L3"x3"x1/4" |
| | 12 FT. MAX | L4"x3"x1/4" |
| 8'-0" | 20 FT. MAX | L5"x3 1/2"x3/8" |
| | 3 FT. MAX | L4"x4"x1/4" * |
| | 12 FT. MAX | L5"x3 1/2"x3/8" |
| 9'-6" | 16 FT. MAX | L6"x3 1/2"x3/8" |
| | 12 FT. MAX | L6"x3 1/2"x3/8" |
| 16'-0" | 2 FT. MAX | L7"x4"x1/2" ** |
| | 3 FT. MAX | L8"x4"x1/2" ** |

ALL LINTELS
- SHALL SUPPORT 2 3/4" - 3 1/2" VENEER w/ 40 psf MAXIMUM HEIGHT.
- 10" SHALL HAVE 4" MIN BEARING
- 12" SHALL HAVE 6" MIN BEARING
- 16" SHALL NOT BE FASTENED BACK TO HEADER.
- 10" SHALL BE FASTENED BACK TO WOOD HEADER IN WALL @ 48" O.C. w/ 1/2" DIA. x 3 1/2" LONG LAG SCREWS IN 2" LONG VERTICALLY SLOTTED HOLES.
- MAX. VENEER HT. APPLIES TO ANY PORTION OF BRICK OVER THE OPENING.
- ALL LINTELS SHALL BE LONG LEAD VERTICAL.
- WHEN SUPPORTING VENEER < 3" WIDE THE EXTERIOR TOE OF THE HORIZONTAL LEG MAY BE CUT IN THE FIELD TO BE 3 1/2" WIDE OVER THE BEARING LENGTH ONLY; THIS IS TO ALLOW FOR MORTAR JOINT FINISHING.
- SEE STRUCTURAL PLANS FOR ANY LINTEL CONDITION NOT ENCOMPASSED BY THE ABOVE PARAMETERS.
* FOR GREEN VENEER USE L4x3x1/2".
** FOR 3 1/2" VENEER ONLY. SEE PLAN FOR VENEER SUPPORT IF VENEER < 3 1/2" THICK.
MJK SIND. - MAY 2016

LEGEND

- [Symbol] INTERIOR BEARING WALL
- [Symbol] BEARING WALL ABOVE
- [Symbol] BEAM / HEADER
- [Symbol] EXTENT OF OVERFRAMING
- JL METAL HANGER
- [Symbol] INDICATES EXTENT OF INT. OSB SHEARWALL, BLOCKED PANEL EDGES, AND/OR 3" O.C. EDGE NAILING
- [Symbol] INDICATES HOLDDOWN
- * INDICATES POST ABOVE (P.A.) PROVIDE SOLID BLOCKING UNDER POST OR JAMB ABOVE.

ADDITIONAL NOTES FOR TRUSS & I-JOIST MANUFACTURER

ROOF TRUSS, FLOOR TRUSS AND ENGINEERED JOISTS SHALL BE DESIGNED TO MEET THE DEFLECTION CRITERIA BELOW, UNLESS NOTED OTHERWISE ON PLAN. MULHERN & KULP CANNOT BE HELD RESPONSIBLE FOR ANY STRUCTURAL ISSUES RELATED TO ANY BUILDING COMPONENT IF COMPONENT SHOP DRAWINGS ARE NOT SUBMITTED TO M&K FOR REVIEW PRIOR TO FABRICATION, DELIVERY, OR INSTALLATION.

TRUSSES/JOISTS SHALL BE DESIGNED SO THAT DIFFERENTIAL DEFLECTION BETWEEN ADJACENT PARALLEL TRUSSES/JOISTS OR GIRDER TRUSSES/FLUSH BEAMS DO NOT EXCEED THE FOLLOWING:

A. ROOF TRUSSES:
1/4" DEAD LOAD

B. FLOOR TRUSSES, ATTIC TRUSSES, & I-JOISTS:
1/8" DEAD LOAD

ABSOLUTE DEAD LOAD DEFLECTION OF FLOOR TRUSSES/ATTIC TRUSSES WHEN ADJACENT TO FLOOR FRAMING BY OTHERS SHALL BE LIMITED TO 3/16". (NOT DIFFERENTIAL DEFLECTION)

GENERAL STRUCTURAL NOTES

- #### FOUNDATION
- DESIGN IS BASED ON 2019 OHIO RESIDENTIAL CODE.
 - FOOTING DESIGN - 1500 PSF NET ALLOWABLE SOIL BEARING PRESSURE IS ASSUMED. BUILDER/CONTRACTOR MUST VERIFY.
 - FASTEN 2x6 SILL PLATES TO CONG FND WITH A MINIMUM OF 2 ANCHORS PER PLATE, 12" MAX. FROM PLATE ENDS - UTILIZING:
 - 1/2" DIA. ANCHOR BOLTS @ 6'-0" O.C., 1" MIN. EMBEDMENT
 - SIMPSON MAB STRAPS @ 32" O.C.
 - SIMPSON MASA ANCHOR STRAPS @ 6'-0" O.C.
 - ALL LUMBER EXPOSED TO WEATHER OR IN CONTACT w/ PERIMETER FOUNDATION SHALL BE PRESERVATIVE TREATED SOUTHERN PINE #2.
 - BUILDER TO VERIFY CORROSION-RESISTANCE COMPATIBILITY OF HARDWARE & FASTENERS IN CONTACT w/ PRESERVATIVE-TREATED WOOD. CONTACT LUMBER & HARDWARE SUPPLIERS TO COORD.
 - FOUNDATION WALLS & FOOTINGS SHALL BE PLAIN CONCRETE, U.N.O.
 - CONCRETE DESIGN BASED ON ACI 318. CONCRETE SHALL ATTAIN THE FOLLOWING MIN. COMPRESSIVE STRENGTHS IN 28 DAYS, U.N.O.:
 - F'c = 4,000 psi: FOUNDATION WALLS
 - 3,000 psi: FOOTINGS & INTERIOR SLABS ON GRADE
 - 3,500 psi: GARAGE & EXTERIOR SLABS ON GRADE
 - f'y = 60,000 psi
 - BASEMENT FOUNDATION WALL DESIGN BASED ON:
 - 8' OR 9' HEIGHT (AS NOTED ON PLANS)
 - TALLER WALLS MUST BE ENGINEERED.
 - NOMINAL WIDTH (8' FOR 8' WALL, 10' FOR 10' WALL).
 - BASEMENT WALL DESIGN IS BASED ON 30 OR 45 PCF BACKFILL SOIL TYPE CLASSIFICATIONS:
 - 30 PCF TYPE (GM, GP, SM, SP)
 - 45 PCF TYPE (GM, GC, SM, SM-SG, ML)
 - IMPORTANT - IF 60 PCF SOIL TYPE (SC, ML-CL, OR CL) IS UTILIZED FOR BACKFILL, CONTACT MULHERN & KULP FOR FURTHER EVALUATION OF FOUNDATION DESIGN.
 - BASEMENT WALLS SHALL BE BRACED, PRIOR TO BACKFILLING, BY ADEQUATE TEMPORARY BRACING OR INSTALL 1st FLOOR DECK.
 - PROVIDE (2) #5 BARS AROUND ALL SIDES OF OPENINGS IN CONCRETE BGMT. FND. WALL WITH 2" CLEAR. REINFORCEMENT SHALL EXTEND 12" PAST CORNER OF OPENING IN ALL DIRECTIONS.
 - FOR OPENINGS UP TO 36", PROVIDE MINIMUM 10" CONCRETE DEPTH OVER OPENING OR (3)2x10 w/ (2)2x6 JACK STUDS, U.N.O.
 - LARGER OPENINGS SHALL BE PER PLAN.
 - ALL CONCRETE EXPOSED TO THE WEATHER SHALL NOT HAVE LESS THAN 5% OR MORE THAN 7% AIR ENTRAINMENT.
 - ALL FOOTINGS SHALL BEAR BELOW FROST LINE (TYP) OR 12" MIN IN REGIONS WHERE CODE FROST DEPTH IS NOT APPLICABLE. CONSULT SOILS REPORT OR BUILDING DEPT. FOR MINIMUM DEPTH BELOW GRADE.
 - FOOTINGS AND SLABS ON GRADE SHALL BEAR ON VIRGIN SOIL OR 95% COMPACTED FILL.
 - PROVIDE CONTROL JOINTS AT ALL INSIDE CORNERS OF SLAB EDGES, AND OTHER LOCATIONS WHERE SLAB CRACKS ARE LIKELY TO DEVELOP.
 - JOINTS SHALL BE LOCATED @ 10'-0" O.C. (RECOMMENDED) OR 15'-0" O.C. (MAXIMUM)
 - JOINT GRID PATTERN SHALL BE AS CLOSE TO SQUARES AS POSSIBLE (1:1 RATIO), WITH A MAXIMUM OF 1:1.5 RATIO
 - CONTROL JOINTS SHALL NOT BE INSTALLED IN STRUCTURAL SLABS
 - TYPICAL REINFORCEMENT DETAILS: PROVIDE 3" MIN. CLEAR COVER WHERE CAST AGAINST EARTH, 1 1/2" MIN. CLEAR COVER AGAINST FORMS. LAP ALL REBAR 48 BAR DIAMETERS MIN. (24" FOR #4 BARS) & BEND BARS AND LAP AT CORNERS. PROVIDE 6" HOOK INTO SUPPORTING FOOTINGS WHEN FOOTINGS INTERSECT.
 - DIMENSIONS BY OTHERS, BUILDER TO VERIFY.

LATERAL/WALL BRACING & WALL SHEATHING SPECIFICATIONS

THIS MODEL HAS BEEN DESIGNED TO RESIST LATERAL FORCES RESULTING FROM:
120 MPH WIND IN 2018 NC5BC
(120 MPH WIND SPEED IN ASCE 7-10 WIND MAP, PER IRC R301.2.1.1) EXP. B & SEISMIC CAT. A/B.

EXT. WALL SHEATHING SPECIFICATION

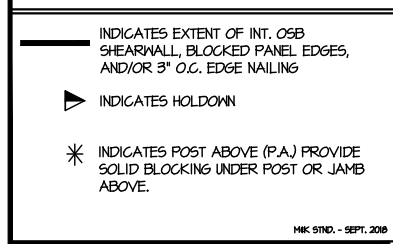
- 7/16" OSB OR 15/32" PLYWOOD:
FASTEN SHEATHING w/ 2 3/8"x0.113 NAILS @ 6" O.C. AT EDGES & @ 12" O.C. IN THE PANEL FIELD. (TYP, U.N.O.)
- ALL SHEATHING PANELS SHALL BE ORIENTED VERTICALLY (LONG DIRECTION PARALLEL TO STUDS) AND INSTALLED FULL HEIGHT OF SHEAR WALL - OR - 2x HORIZONTAL BLOCKING SHALL BE PROVIDED TO SUPPORT ALL UNSUPPORTED PANEL EDGES & EDGE FASTENING.
- ALL EXT. WALLS SHALL BE CONTINUOUSLY SHEATHED AND ARE CONSIDERED SHEAR WALLS.
- ALT. STAPLE CONNECTION SPEC: 1 3/4" 16 GA STAPLES (1/8" CROWN) @ 3" O.C. AT EDGES & @ 6" O.C. IN FIELD.

3" O.C. EDGE NAILING

- AT DESIGNATED AREAS - FASTEN PANEL EDGES OF WOOD STRUCTURAL WALL SHEATHING TO FRAMING w/ 2 3/8" x 0.113" NAILS @ 3" O.C. AND 12" O.C. IN THE PANEL FIELD. NO STAPLE ALTERNATIVE AVAILABLE AT THIS SPEC. ALL SHEATHING PANELS SHALL BE ORIENTED VERTICALLY (LONG DIRECTION PARALLEL TO STUD) AND INSTALLED FULL HEIGHT OF SHEAR WALL - OR - 2x HORIZONTAL BLOCKING SHALL BE PROVIDED TO SUPPORT UNSUPPORTED PANEL EDGES AND 3" O.C. EDGE FASTENING.

NOTES

- SEE CONNECTION SPECIFICATIONS CHART FOR STANDARD SHEAR TRANSFER DETAILING. IF ADDITIONAL CAPACITY IS REQUIRED BY DESIGN, IT WILL BE SPECIFICALLY NOTED ON PLAN.
- DESIGN ASSUMES 16" O.C. MAX. STUD SPACING, U.N.O.
- ALL STRUCTURAL PANELS ARE TO BE DIRECTLY APPLIED TO STUD FRAMING.
- PRE-MANUFACTURED PANELIZED WALLS: FASTEN TOGETHER END STUDS OF WALL PANELS SHEATHED w/ OSB OR PLYWOOD w/ 10d NAILS @ 4" O.C. (THRU ONE SIDE ONLY)



GENERAL STRUCTURAL NOTES

FLOOR FRAMING

- I-JOISTS/TRUSSES SHALL BE DESIGNED BY MANUF. TO MEET OR EXCEED L/480 LIVE LOAD DEFLECTION CRITERIA. (EXCLUDES STONE/MARBLE OR WET BED CONSTRUCTED FLOORS - CONTACT M&K FOR EXCLUDED FLOOR DESIGNS)
- PER THE GUIDELINES OF THE TILE COUNCIL OF NORTH AMERICA (TCNA HANDBOOK), IT SHALL BE THE FLOOR FINISH INSTALLER'S RESPONSIBILITY TO VERIFY THAT THE FINISHES TO BE INSTALLED MATCH THE DESIGN CRITERIA NOTED ABOVE (UNDER "DESIGN LOADS").
- AT I-JOIST FLOORS, PROVIDE 1 1/8" MIN. OSB RIM BOARD.
- METAL HANGERS SHALL BE SPECIFIED BY MANUFACTURER, U.N.O.
- I-JOIST/TRUSS SHOP DWGS. SHALL BE SUBMITTED TO ARCH. & ENG. FOR REVIEW AND APPROVAL PRIOR TO FABRICATION OR DELIVERY.
- FLOOR SHEATHING SHALL BE 23/32" A.P.A. RATED STURD-I-FLOOR® 24" O.C. EXPOSURE 1 (OR APPROVED EQUAL) WITH TONGUE AND GROOVE EDGES. FASTEN TO FRAMING MEMBERS w/ GLUE AND
 - 2 1/2" x 0.131" NAILS @ 6" O.C. @ PANEL EDGES & @ 12" O.C. FIELD.
 - 2 3/8" x 0.120" NAILS @ 4" O.C. @ PANEL EDGES & @ 8" O.C. FIELD.
 - 2 3/8" x 0.113" NAILS @ 3" O.C. @ PANEL EDGES & @ 6" O.C. IN FIELD.

ROOF FRAMING

- ROOF SHEATHING SHALL BE 7/16" A.P.A. RATED SHEATHING 24/16 EXPOSURE 1 (OR APPROVED EQUAL). FASTEN TO FRAMING MEMBERS - w/ 2 1/2" x 0.131" NAILS @ 6" O.C. @ PANEL EDGES & @ 12" O.C. FIELD. - w/ 2 3/8" x 0.120" NAILS @ 4" O.C. @ PANEL EDGES & @ 8" O.C. FIELD. - w/ 2 3/8" x 0.113" NAILS @ 3" O.C. @ PANEL EDGES & @ 6" O.C. FIELD.
- WITHIN 48" OF ALL ROOF EDGES, RIDGES, & HIPS FASTEN ROOF SHEATHING FIELDS PER EDGE NAILING SPEC.
- FASTEN EACH ROOF TRUSS TO TOP PLATE w/ SIMPSON H2.5A CLIP (OR APPROVED EQUAL) @ ALL BEARING POINTS. PROVIDE (2) H2.5A CLIPS AT 2-FLY GIRDER TRUSSES, (3) H2.5A CLIPS AT 3-FLY GIRDER TRUSSES & ROOF BEAMS - AT ALL BEARING POINTS.
- METAL HANGERS SHALL BE SPECIFIED BY THE MANUFACTURER, U.N.O.
- ROOF TRUSS SHOP DWGS. SHALL BE SUBMITTED TO ARCH & ENG. FOR REVIEW AND APPROVAL PRIOR TO FABRICATION OR DELIVERY.
- ERECT AND INSTALL ROOF TRUSSES PER WTCA & TP1'S ECSI 1 "GUIDE TO GOOD PRACTICE FOR HANDLING, INSTALLING & BRACING OF METAL PLATE CONNECTED WOOD TRUSSES."
- SUPPORT SHORT SPAN ROOF TRUSSES w/ 2x4 LEDGER FASTENED TO FRAMING w/ (2) 3" x 0.120" NAILS @ 16" O.C. (UP TO T' SPAN).

MULHERN+KULP
RESIDENTIAL STRUCTURAL ENGINEERING

300 Brookside Ave, Building 4 • Ambler, PA 19002
p 215-948-9001 • mulhern+kulp.com

GENERAL STRUCTURAL NOTES

- DESIGN IS BASED ON 2018 NORTH CAROLINA RESIDENTIAL CODE.
- WOOD FRAME ENGINEERING IS BASED ON NDS, "NATIONAL DESIGN SPECIFICATION FOR WOOD CONSTRUCTION" - LATEST EDITION.
- DESIGN LOADS:
 - ROOF LIVE = 20 PSF (18 PSF REDUCED)
DEAD = 7 PSF B.C. 10 PSF B.C.
LOAD DURATION FACTOR = 1.15
 - FLOOR LIVE = 40 PSF (30 PSF @ SLEEPING AREAS)
DEAD = 10 PSF (I-JOISTS & SOLID SAWN)
ADDL. 10 PSF @ CERAMIC TILE IN KITCHEN, BATHS, SUNROOM, & LAUND.
 - SOIL 1,500 PSF ASSUMED ALLOWABLE BEARING PRESSURE (TO BE VERIFIED BY BUILDER)

GENERAL FRAMING

- ALL TYP. NAIL FASTENER REQUIREMENTS ARE NOTED IN STANDARD CONNECTIONS TABLE (IRC TABLE R602.3.1) OR ON PLANS. ALL NAILS SPECIFIED ARE MIN DIAMETER AND LENGTH REQUIRED FOR CONNECTION. ALL HANGER NAILS SHALL BE INSTALLED PER MANUFACTURER'S REQUIREMENTS FOR MAX CHARTED CAPACITY. NOTE: HANGERS USE COMMON NAIL DIAMETERS NOT TYPICAL FRAMING GUN NAILS.
- EXT. & INT. BEARING WALLS SHALL BE 2x4 OR 2x6 (AS SHOWN ON PLANS) @ 16" O.C. SFF "STUD" GRADE LUMBER, OR BETTER, U.N.O.
 - WALLS OVER 10' TALL SHALL BE PER PLAN.
- ALL INTERIOR BEARING WALLS ARE ASSUMED TO BE SHEATHED w/ GYP WALL BOARD (ONE SIDE MIN) OR PROVIDE MID HT. BLOCKING.
- ALL 2x8, 2x10, & 2x12 HEADERS, BEAMS & OTHER STRUCTURAL MEMBERS SHALL BE S.Y.P. #2 LUMBER, OR BETTER.
- ALL 2x6 HEADERS, BEAMS & OTHER STRUCTURAL MEMBERS SHALL BE SFF "STUD" GRADE LUMBER, OR BETTER.
- SUPPORT ALL HEADERS/ BEAMS w/ (1)2x JACK STUD & (1)2x KING STUD, MINIMUM.
 - THE NUMBER OF STUDS SPECIFIED AT A SUPPORT INDICATES THE NUMBER OF JACK STUDS REQUIRED, U.N.O.
- ALL NON-BEARING INTERIOR STUD WALLS SHALL BE CONSTRUCTED WITH 2x "STUD" GRADE MEMBERS SPACED @ 24" O.C. (MAX, U.N.O.)
 - HEADERS IN NON-LOAD BEARING WALLS SHALL BE: (1)2x4/6 FLAT @ OPENINGS UP TO 4'; (2)2x4/6 FLAT UP TO 8'.
- ALL FRAMING LUMBER SHALL BE DRIED TO 15% MC (KD-15).
- ENGINEERED LUMBER BEAMS TO MEET OR EXCEED THE FOLLOWING:
 - LSL' - Fb=2325 psi; Fv=310 psi; E=1.55x10⁶ psi
 - LVL' - Fb=2600 psi; Fv=285 psi; E=2.0x10⁶ psi
- ENGINEERED LUMBER POSTS TO MEET OR EXCEED THE FOLLOWING:
 - LVL' - Fb=2400 psi; FcII=2500 psi; E=1.8x10⁶ psi
- FOR 2 & 3 PLY BEAMS OF EQUAL 1 3/4" MAX. WIDTH, FASTEN PLIES TOGETHER WITH 3 ROWS OF 3"x0.120" NAILS @ 8" O.C. OR 2 ROWS 1/4"x3/8" SIMPSON SDS SCREWS (OR 3/8" TRUSSLOK SCREWS) @ 16" O.C. USE A MINIMUM OF 4 ROWS FOR BEAM DEPTHS OF 14" OR GREATER. APPLY FASTENING AT BOTH FACES FOR 3-PLY CONDITION. LOCATE TOP & BOTTOM NAILS/SCREWS 2" FROM EDGE. SOLID 3 1/2" OR 5 1/2" BEAMS ARE ACCEPTABLE. USE 2 ROWS OF NAILS FOR 2x6 & 2x8 MEMBERS.
- FOR 4 PLY BEAMS OF EQUAL 1 3/4" MAX. WIDTH, FASTEN PLIES TOGETHER WITH 3 ROWS OF 1/4"x6" SIMPSON SDS SCREWS (OR 6 3/4" TRUSSLOK SCREWS) @ 16" O.C. USE A MINIMUM OF 4 ROWS FOR BEAM DEPTHS OF 14" OR GREATER. APPLY FASTENING AT BOTH FACES (ONE SIDE ONLY FOR TRUSSLOK SCREWS). LOCATE TOP AND BOTTOM SCREWS 2" FROM EDGE. A SOLID T" BEAM IS ACCEPTABLE.
- PROVIDE SOLID BLOCKING IN FLOOR SYSTEM UNDER ALL POSTS CONTINUOUS TO FND/BEARING. BLOCKING TO MATCH POST ABOVE.
- FASTEN 2x WOOD PLATES TO TOP FLANGE OF STEEL BEAMS WITH P.A.F.'s (HILT' XJ PINS OR EQUAL) @ 16" O.C. STAGGERED, OR 1/2" DIA. BOLTS @ 48" O.C. STAGGERED.
- STEEL PIPE COLUMN "ASD CAPACITIES" SHALL MEET OR EXCEED THE LOADS PROVIDED AT EACH STEEL PIPE COLUMN LOCATION ON PLAN. COLUMNS ARE TO BE INSTALLED PER THE MANUFACTURER'S REQUIREMENT THAT ACHIEVES THE RATED CAPACITY USED, INCLUDING BUT NOT LIMITED TO POSITIVE CONNECTIONS AT THE TOP AND BOTTOM OF THE COLUMN. TWO COLUMNS MAY BE USED UNDER CONTINUOUS BEAMS TO ACHIEVE THE FULL PLAN SPECIFIED REQUIRED CAPACITY IF INSTALLED CENTERED ON THE EXISTING FOOTING/ PLAN SPECIFIED SINGLE COLUMN LOCATION.

STEPHEN IVES
REGISTERED PROFESSIONAL ENGINEER
042188

MULHERN+KULP
RESIDENTIAL STRUCTURAL ENGINEERING

Drees HOMES

Mulhern+Kulp project number:
085-21005

project mgr: BSM
drawn by: CNV
issue date: 08-16-22

REVISIONS:
date: initial:

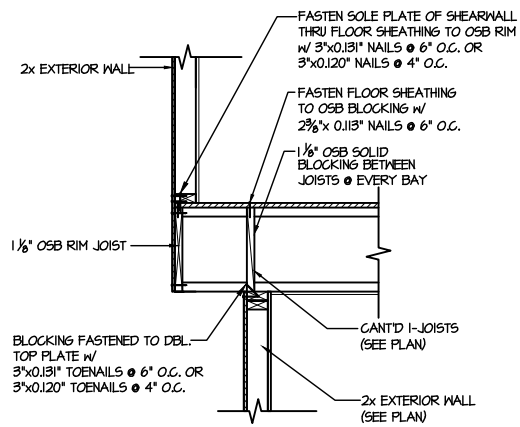
MULHERN+KULP
RESIDENTIAL STRUCTURAL ENGINEERING

STRUCTURAL NOTES

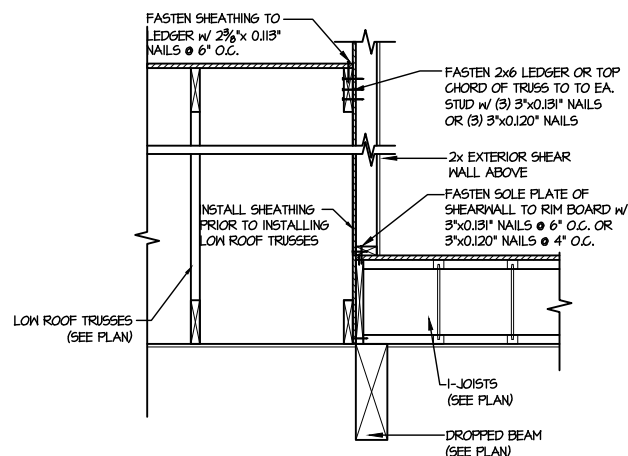
EPIPHANY MODEL

RHL

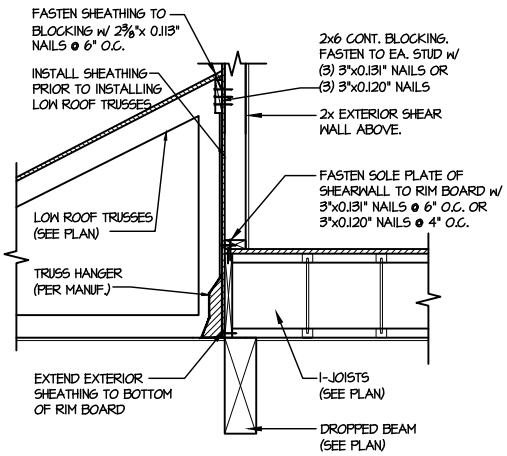
sheet:
SD-1



42 SHEAR TRANSFER DETAIL BETWEEN FLOORS @ CANT'D EXT. WALL
SCALE: 3/4"=1'-0" PERPENDICULAR FRAMING



72 TYPICAL SHEAR TRANSFER DETAIL BETWEEN FLOORS @ INTERIOR WALL
SCALE: 3/4"=1'-0"



60 TYPICAL SHEAR TRANSFER DETAIL BETWEEN FLOORS @ INTERIOR WALL
SCALE: 3/4"=1'-0"

seal:

 copyright: MULHERN & KULP
 Structural Engineering, Inc.



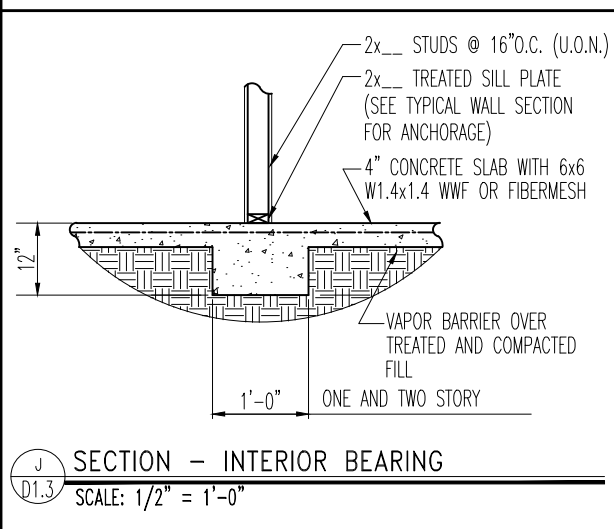
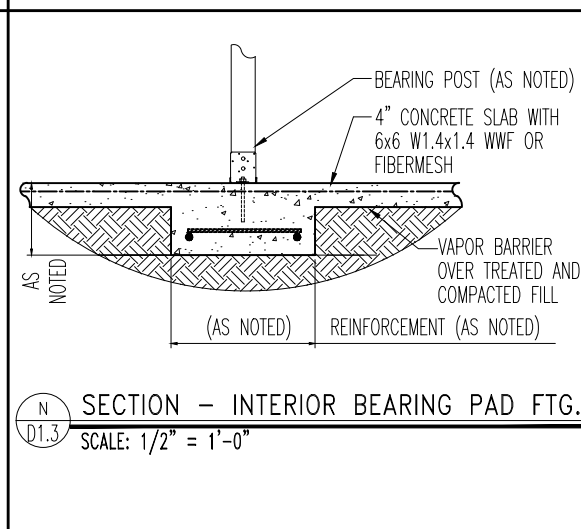
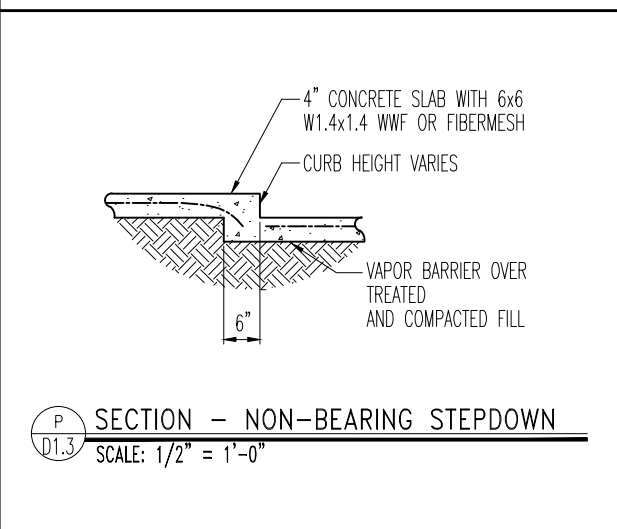
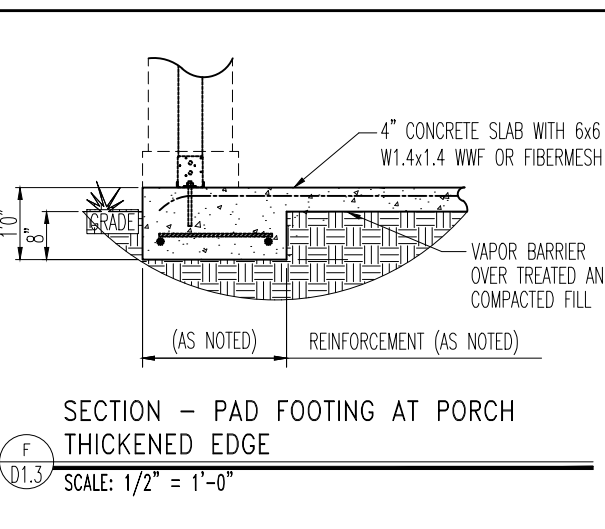
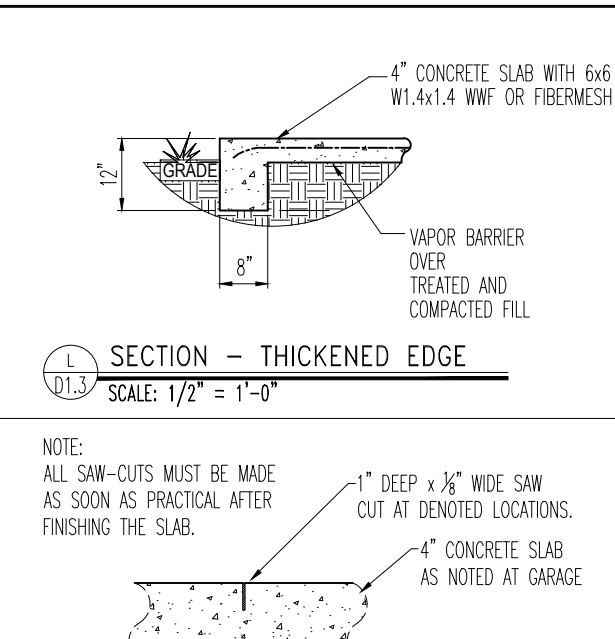
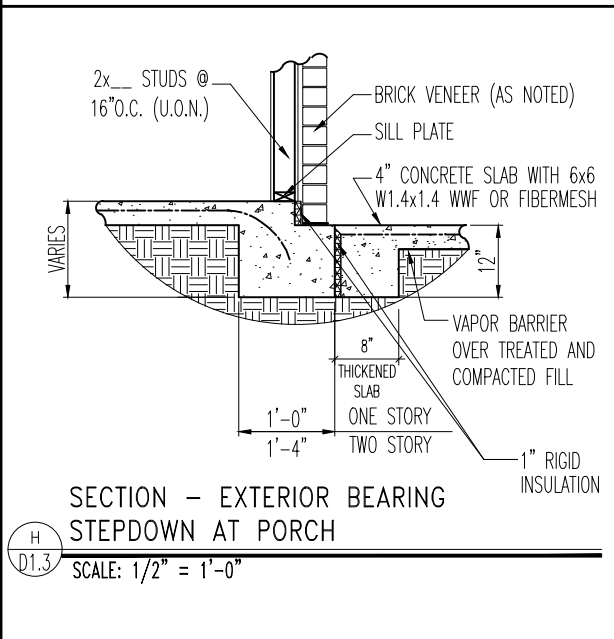
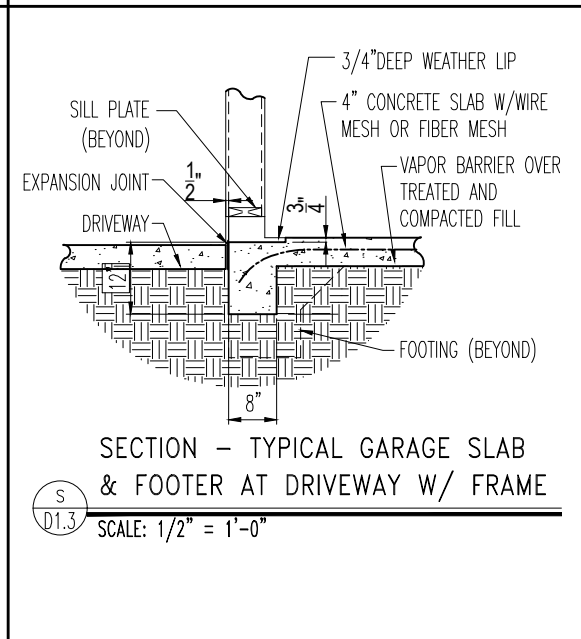
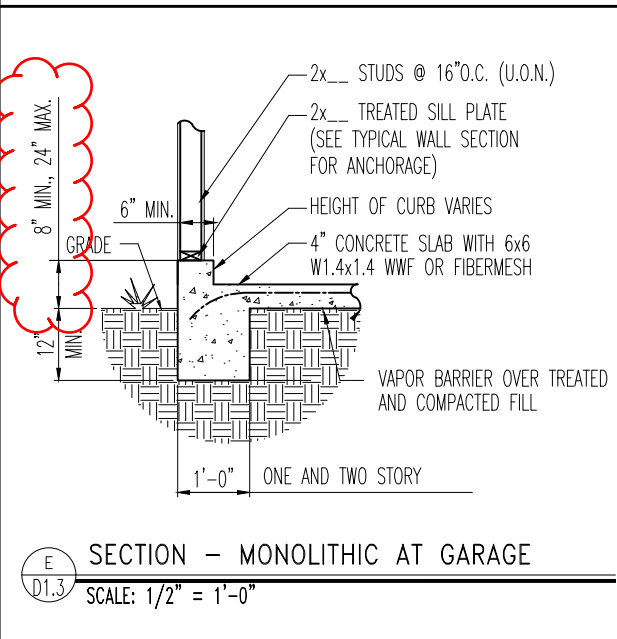
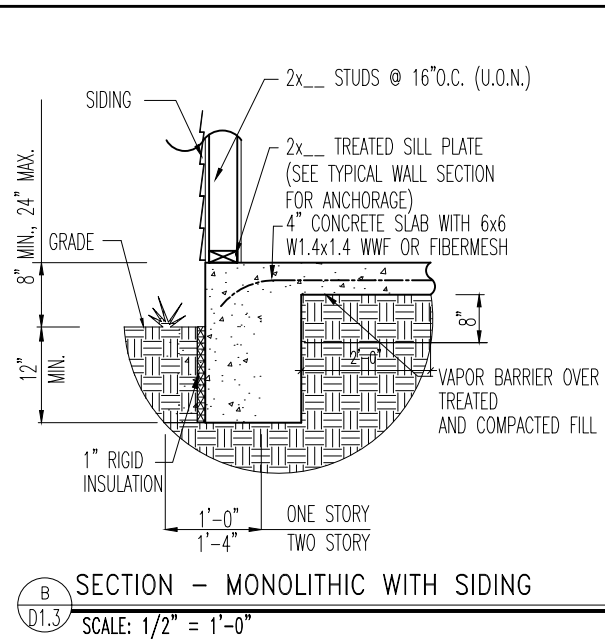
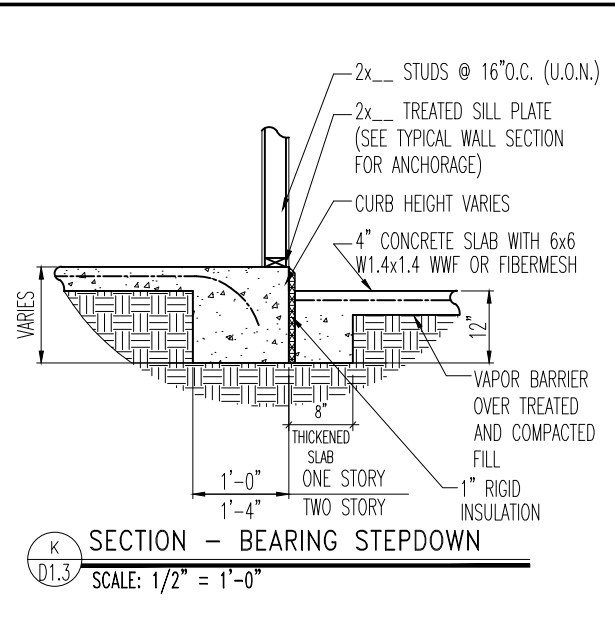
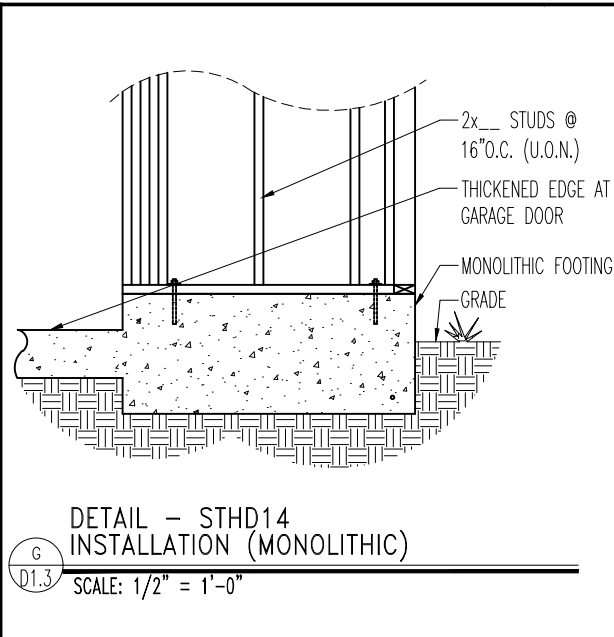
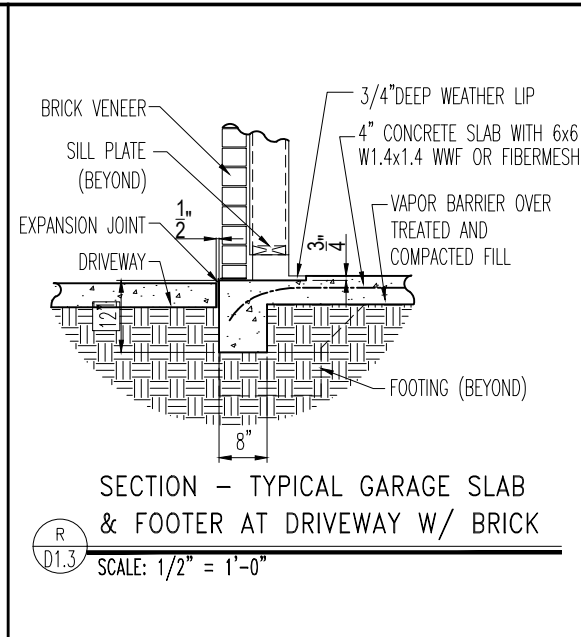
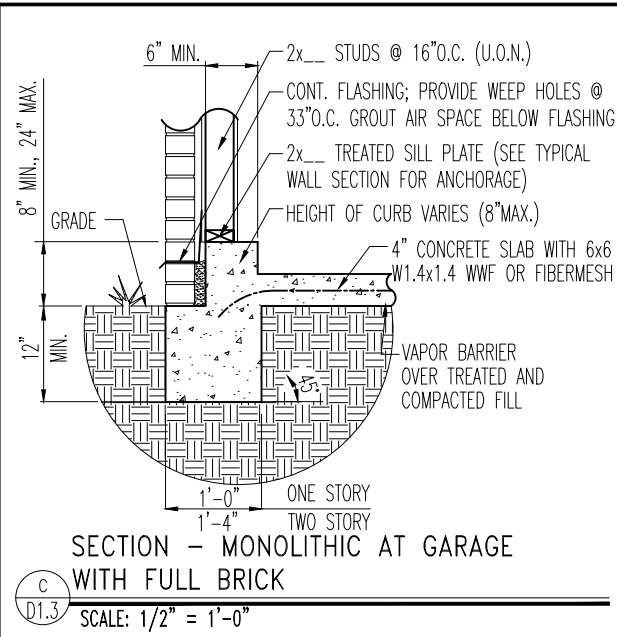
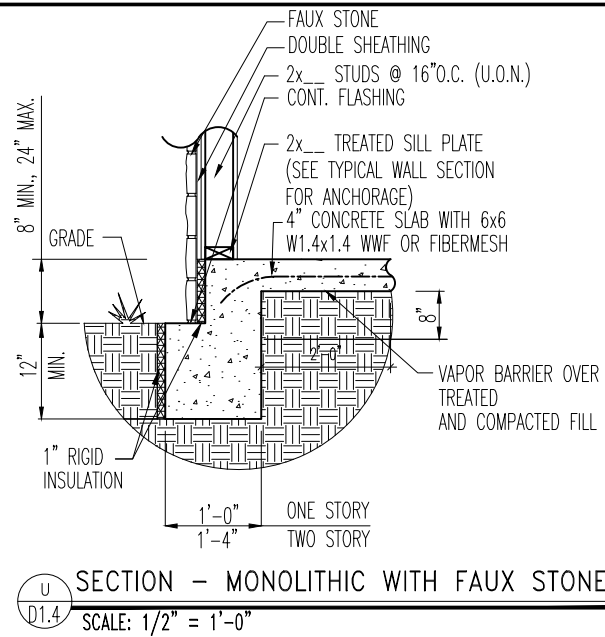
Mulhern+Kulp project number:
 085-21005
 project mgr: BSM
 drawn by: CNV
 issue date: 08-16-22

| REVISIONS: | |
|------------|----------|
| date: | initial: |
| | |
| | |

MULHERN+KULP
 SUBSTITUTIONAL ENGINEERING
 17077770011 • 17077770011

LATERAL DETAILS
 EPIPHANY MODEL
 RHL

sheet:
SD-2



SECTION - TYPICAL SAW-CUT CONTROL JOINT AT GARAGE
 M D1.3 SCALE: NTS

NOTE: ALL SAW-CUTS MUST BE MADE AS SOON AS PRACTICAL AFTER FINISHING THE SLAB.

1" DEEP x 1/8" WIDE SAW CUT AT DENOTED LOCATIONS.

4" CONCRETE SLAB AS NOTED AT GARAGE

NORTH CAROLINA REGISTERED ARCHITECT
 SEAL 12648
 AMANDA K. SZOKE

The Drees Company
 11/30/2022 9:12:32 AM



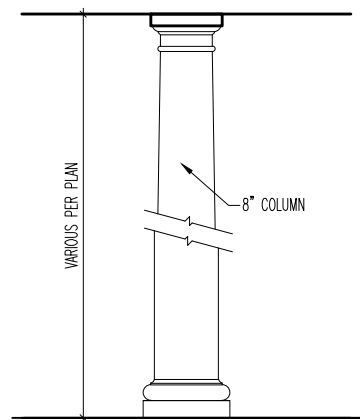
Drees Homes
 7701 Six Forks Road, Suite 132, Raleigh, NC 27615 PH:(919) 844-9288
 Copyright ©, 2005 The Drees Company, All rights reserved. These plans are protected by Copyright. No part of these plans may be reproduced in any form or by any means, including photocopying, without the written permission from the Copyright owner.

STD. DETAIL SHEET
 REGION: RALEIGH

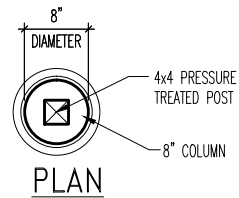
Std. By: ALL
 Chk. By: ARC
 Std. Date: 08/19/09
 Date of:

Sheet Description:
 SLAB ON GRADE DETAILS

Sheet No.
 D1.3
 RALEIGH - D-SHEETS.dwg Jun 17, 2021 - 8:23am



ELEVATION

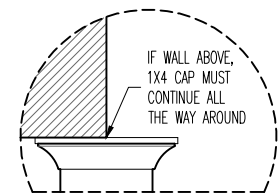


PLAN

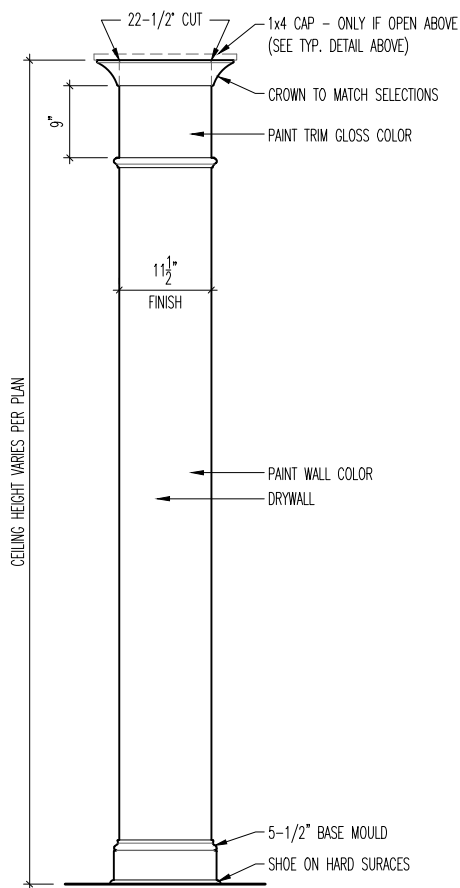
**ROUND COLUMN
DETAIL (INTERIOR/
EXTERIOR)**

A
D2.4
SCALE: 1/2" = 1'-0"

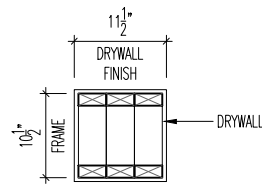
*** NOTE ***
ALL COLUMN SURFACES
TO BE PAINTED TRIM GLOSS
COLOR, UNLESS NOTED
OTHERWISE.



DETAIL W/ WALL ABOVE (TYP.)

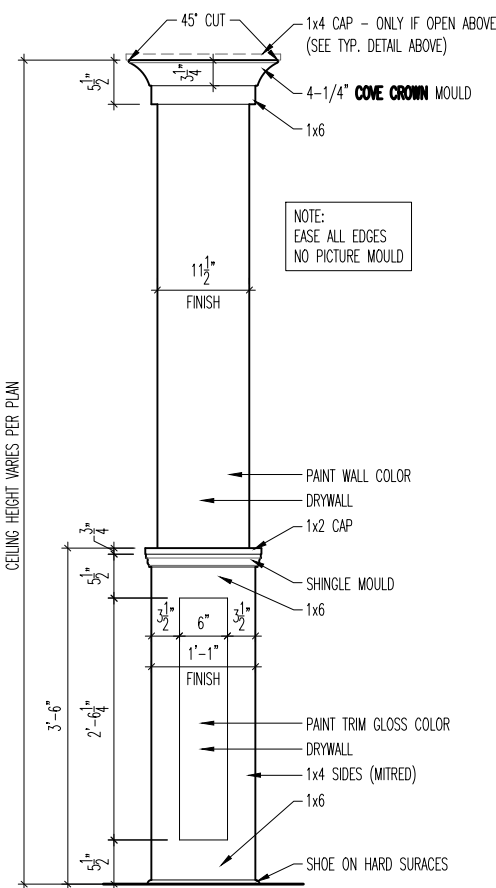


ELEVATION

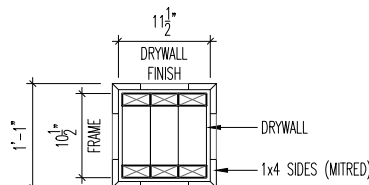


PLAN

STANDARD

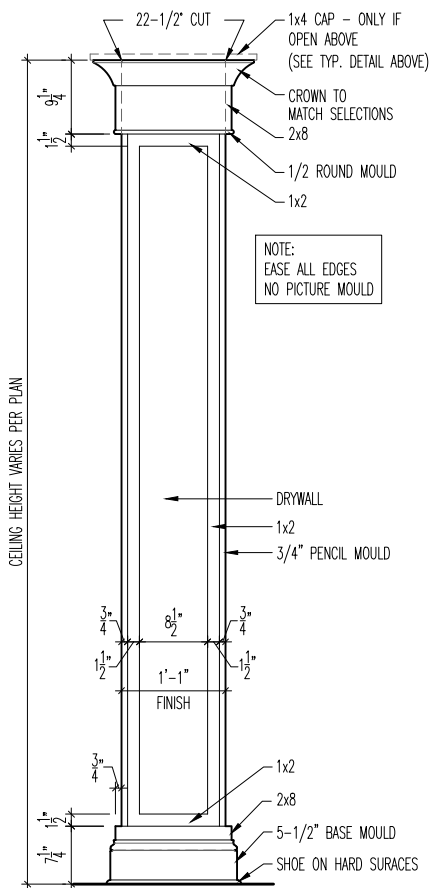


ELEVATION

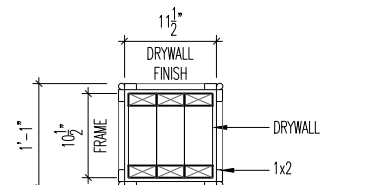


PLAN

**STANDARD
W/ CRAFTSMAN PACKAGE**



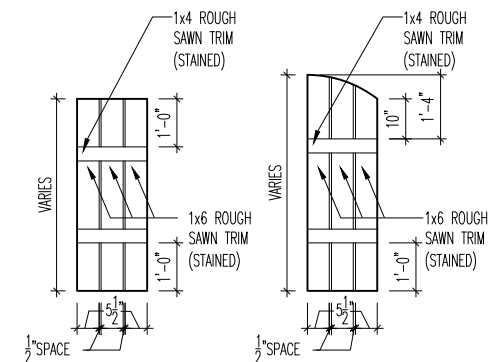
ELEVATION



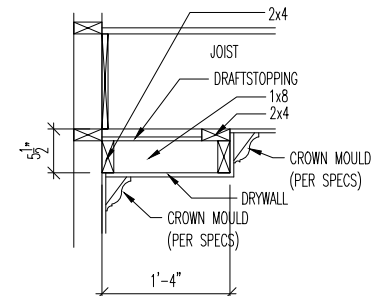
PLAN

UPGRADE

D
D2.4
COLUMN DETAIL (INTERIOR)
SCALE: 1/2" = 1'-0"



M
D2.4
SLAT SHUTTER DETAIL
SCALE: 1/4" = 1'-0"



H
D2.4
**SINGLE TRAY
CEILING DETAIL**
SCALE: 1/2" = 1'-0"



The Drees Company
11/30/2022 9:12:53 AM



Drees Homes
7701 Six Forks Road, Suite 132, Raleigh, NC 27615 PH:(919) 844-9288
Copyright ©, 2005 The Drees Company, All rights reserved. These plans are protected by Copyright.
No part of these plans may be reproduced in any form or by any means, including photocopying,
without the written permission from the Copyright owner.

STD. DETAIL SHEET
REGION:
RALEIGH

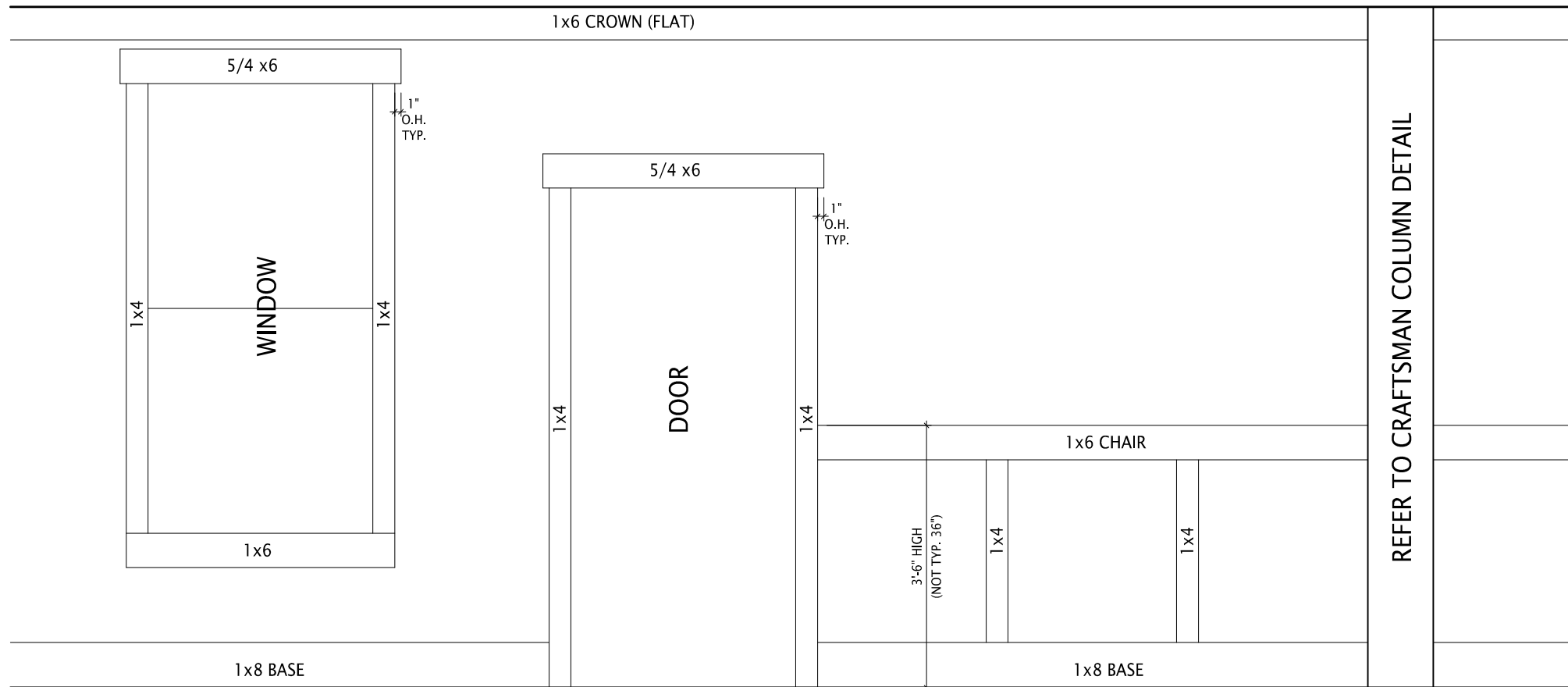
Std. By: ALL
Chk. By: ARC
Std. Date: 10.11.06
Date of Last Rev: 9/18/09

Sheet Description: **COLUMN DETAILS
SUNROOM DETAILS**

DETAILS MAY NOT APPLY TO CONTRACT

RALEIGH - D-SHEETS.dwg Mar 24, 2015 - 12:15pm

Sheet No.
D2.4



A
D2.5 SCALE: 1/2" = 1'-0"
CRAFTSMAN STYLE INTERIOR TRIM PACKAGE - ELEVATION



The Drees Company
11/30/2022 9:12:54 AM



Drees Homes
7701 Six Forks Road, Suite 132, Raleigh, NC 27615 PH:(919) 844-9288
Copyright ©, 2005 The Drees Company, All rights reserved. These plans are protected by Copyright. No part of these plans may be reproduced in any form or by any means, including photocopying, without the written permission from the Copyright owner.

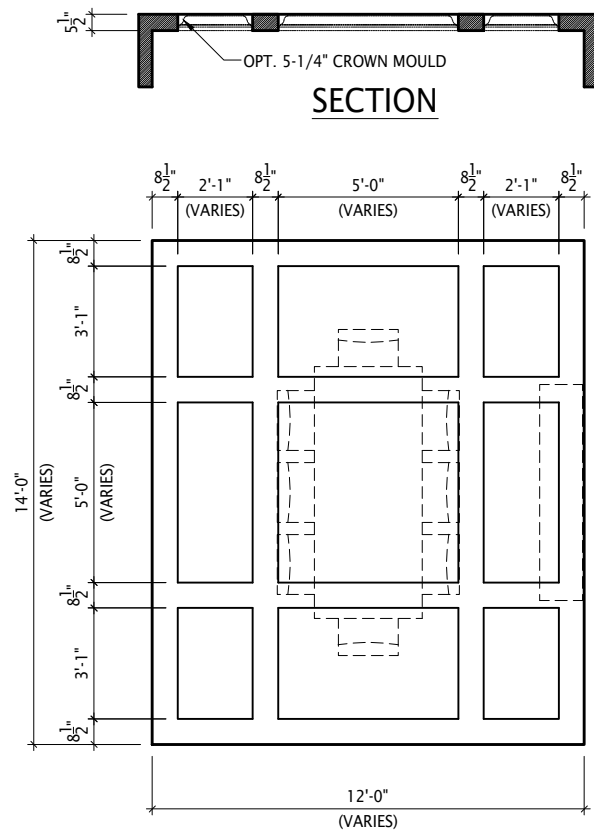
STD. DETAIL SHEET
REGION:
RALEIGH

| | |
|-------------------|--------------|
| Std. By: | DWW |
| Chk. By: | ARC |
| Std. Date: | 1.9.07 |
| Date of Last Rev: | 02/28/08 bdt |

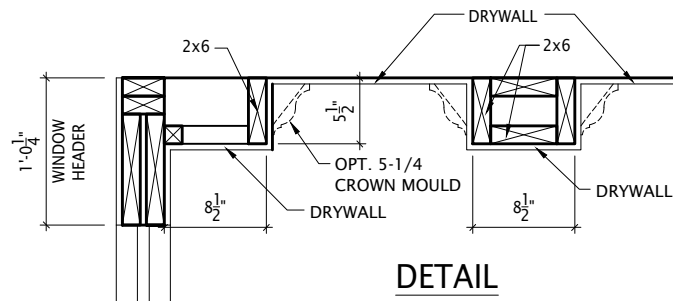
Sheet Description:
INTERIOR TRIM DETAILS

DETAILS MAY NOT APPLY TO CONTRACT
RALEIGH - D-SHEETS.dwg Dec 10, 2014 - 1:50pm

Sheet No.
D2.5



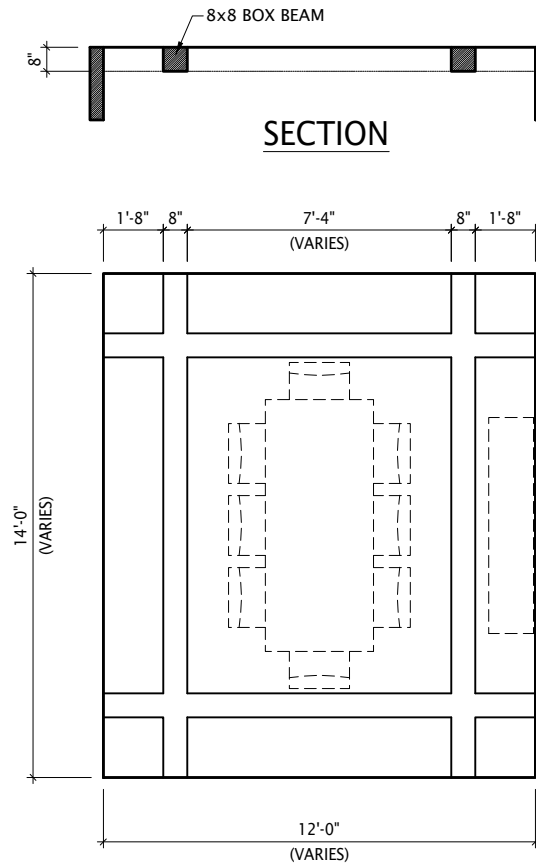
TYPICAL PLAN



DETAIL

Note: Ceiling treatment details will tray down into space on enclosed rooms located on the 1st floor. On enclosed rooms on the 2nd floor, the ceiling treatment will tray up into the roof truss system. On 2-story spaces, the ceiling treatment will tray down into the space and require an appropriate sized header to capture the ceiling detail return.

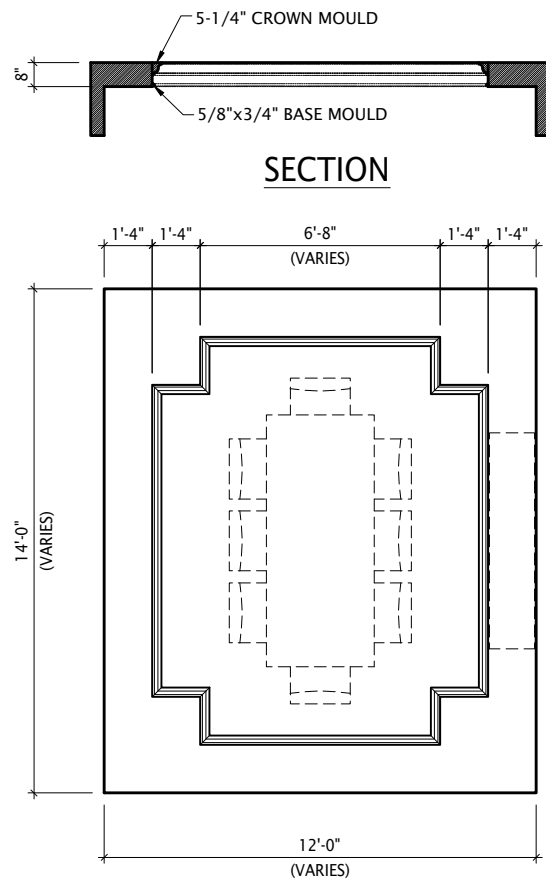
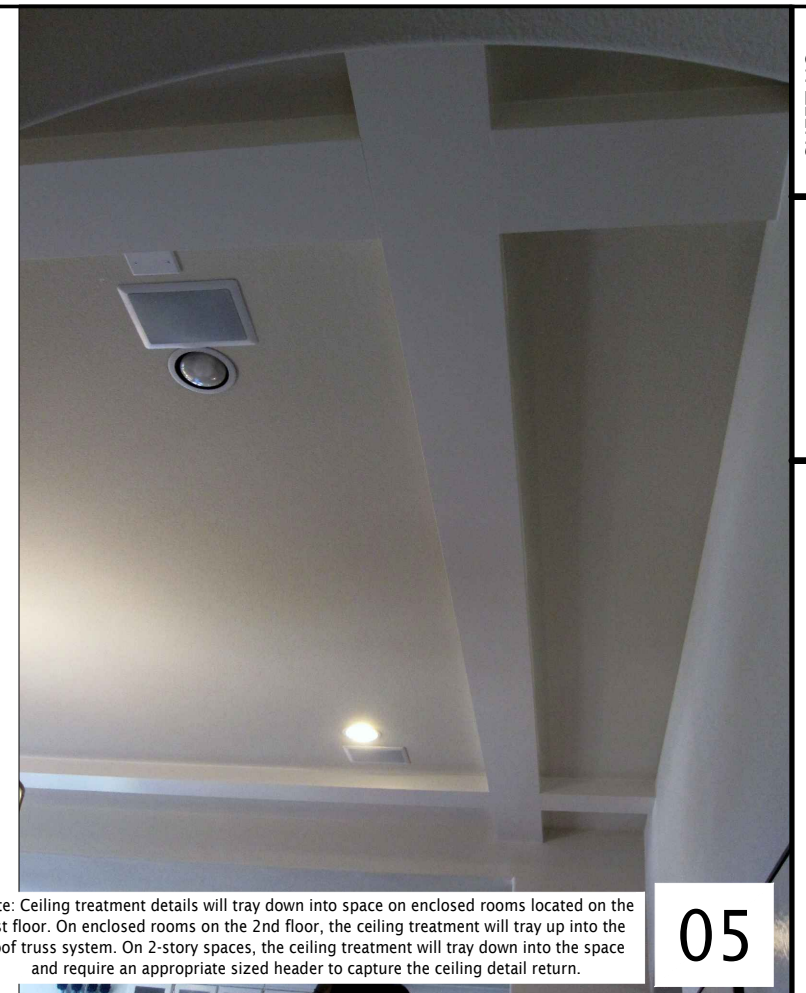
01



TYPICAL PLAN

Note: Ceiling treatment details will tray down into space on enclosed rooms located on the 1st floor. On enclosed rooms on the 2nd floor, the ceiling treatment will tray up into the roof truss system. On 2-story spaces, the ceiling treatment will tray down into the space and require an appropriate sized header to capture the ceiling detail return.

05

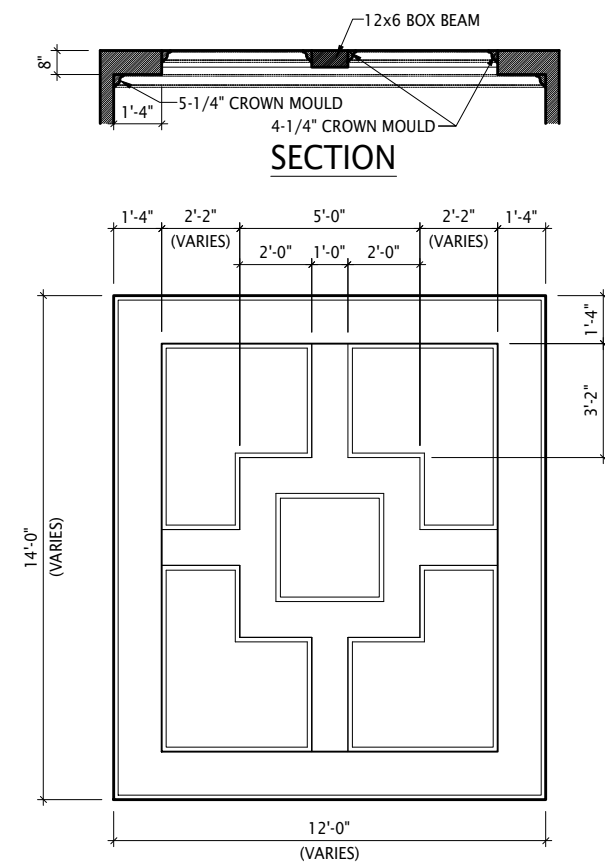


TYPICAL PLAN



Note: Ceiling treatment details will tray down into space on enclosed rooms located on the 1st floor. On enclosed rooms on the 2nd floor, the ceiling treatment will tray up into the roof truss system. On 2-story spaces, the ceiling treatment will tray down into the space and require an appropriate sized header to capture the ceiling detail return.

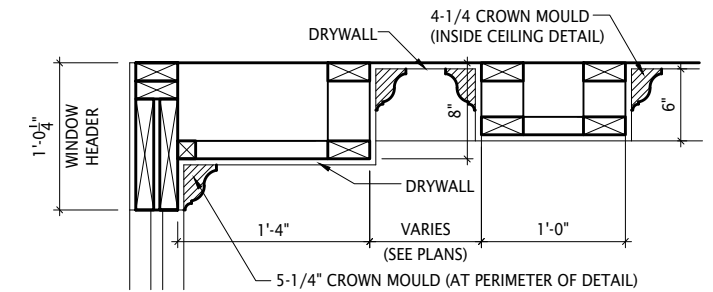
04



TYPICAL PLAN

Note: Ceiling treatment details will tray down into space on enclosed rooms located on the 1st floor. On enclosed rooms on the 2nd floor, the ceiling treatment will tray up into the roof truss system. On 2-story spaces, the ceiling treatment will tray down into the space and require an appropriate sized header to capture the ceiling detail return.

15



DETAIL



The Drees Company
11/30/2022 9:12:54 AM

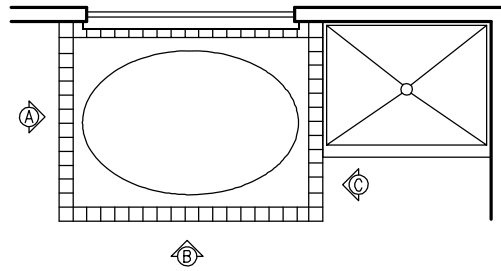
| | |
|-----------------|------------------------|
| SHEET NO. | D4.1 |
| BLC | 01/27/15 |
| DATE OF DETAIL: | 01/27/15 |
| LAST REVISION: | Dec 16, 2015 - 10:42am |

CEILING TREATMENTS

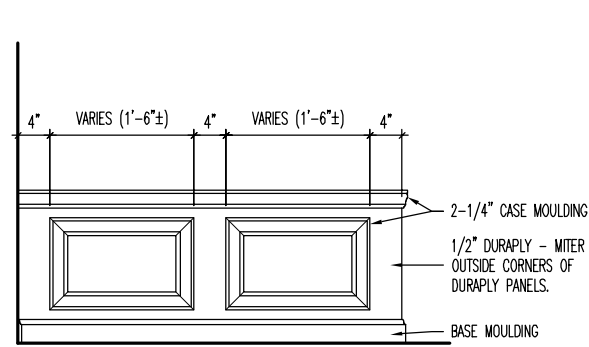
SCALE: AS NOTED

© 2014, The Drees Company. All Rights Reserved. No portion of this material may be reproduced in any form or by any means, including photocopying, without the express written permission of The Drees Company. The Drees Company will vigorously prosecute any unauthorized use of this material.

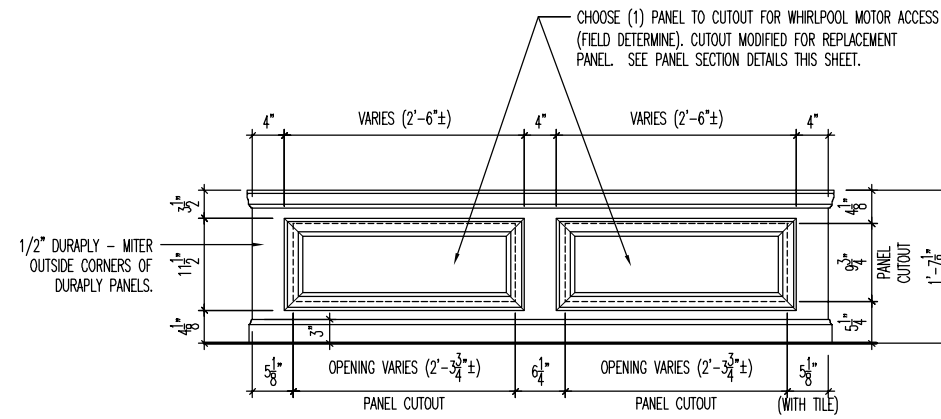
RETANGULAR TUB



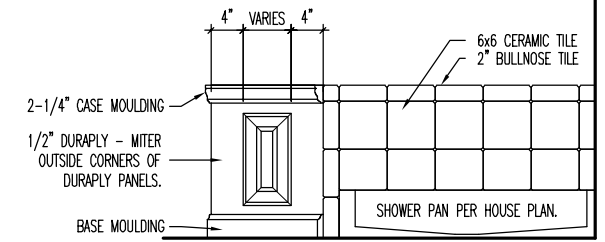
RETANGULAR TUB PLAN
SCALE: 1/8" = 1'-0"



A OPEN SIDE ELEVATION



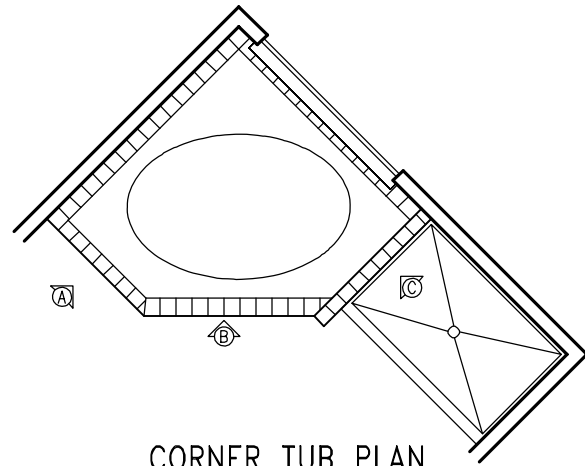
B FRONT ELEVATION



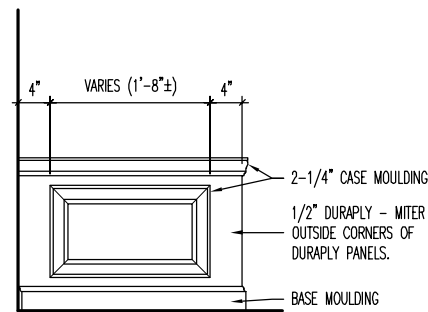
C SIDE ELEVATION w/ SHOWER

RECTANGULAR DROP-IN TUB PANEL ELEVATIONS
SCALE: 1/2" = 1'-0"

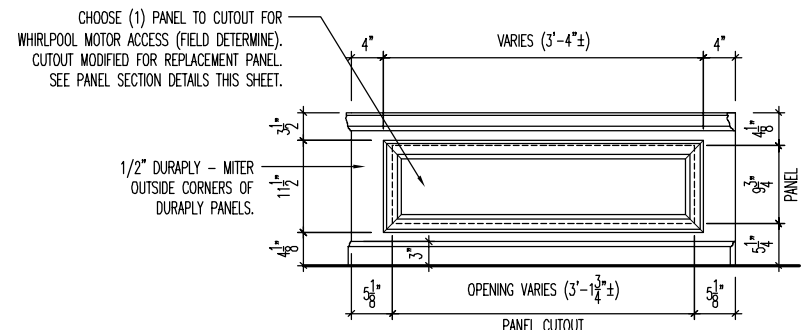
CORNER TUB



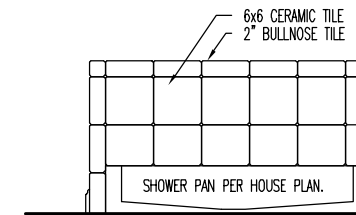
CORNER TUB PLAN
SCALE: 1/8" = 1'-0"



A OPEN SIDE ELEVATION

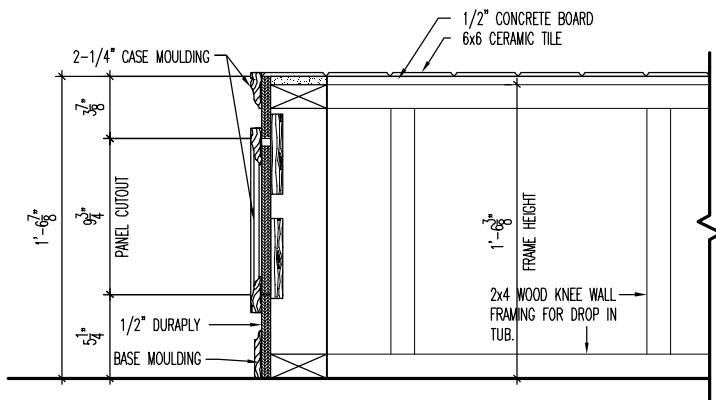


B FRONT ELEVATION

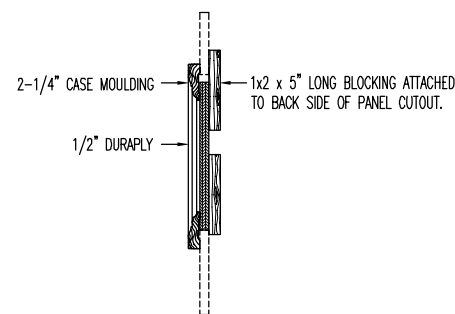


C SIDE ELEVATION w/ SHOWER

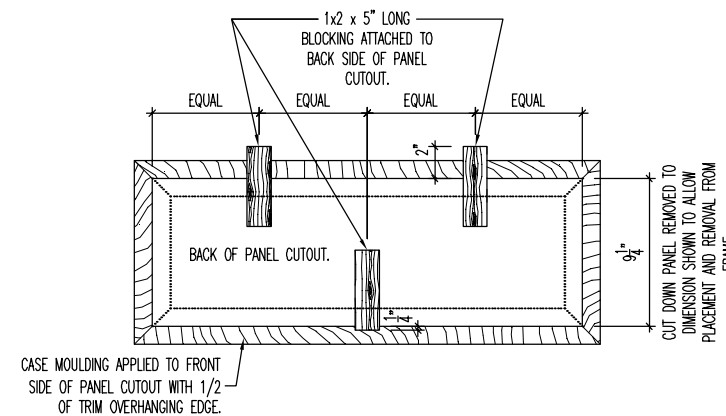
CORNER DROP-IN TUB PANEL ELEVATIONS
SCALE: 1/2" = 1'-0"



A SECTION THRU REMOVABLE PANEL AT TUB PLATFORM



B PANEL SECTION



C PANEL BACK

PANEL SECTION DETAILS
SCALE: 1" = 1'-0"



The Drees Company
11/30/2022 9:12:54 AM



Drees Homes

7701 Six Forks Road, Suite 132, Raleigh, NC 27615 PH:(919) 844-9288
Copyright ©, 2005 The Drees Company, All rights reserved. These plans are protected by Copyright. No part of these plans may be reproduced in any form or by any means, including photocopying, without the written permission from the Copyright owner.

STD. DETAIL SHEET

REGION:
RALEIGH

Std. By: ALL
Chk. By: ARC
Std. Date: 10.11.06
Date of REV. DATE

Sheet Description:

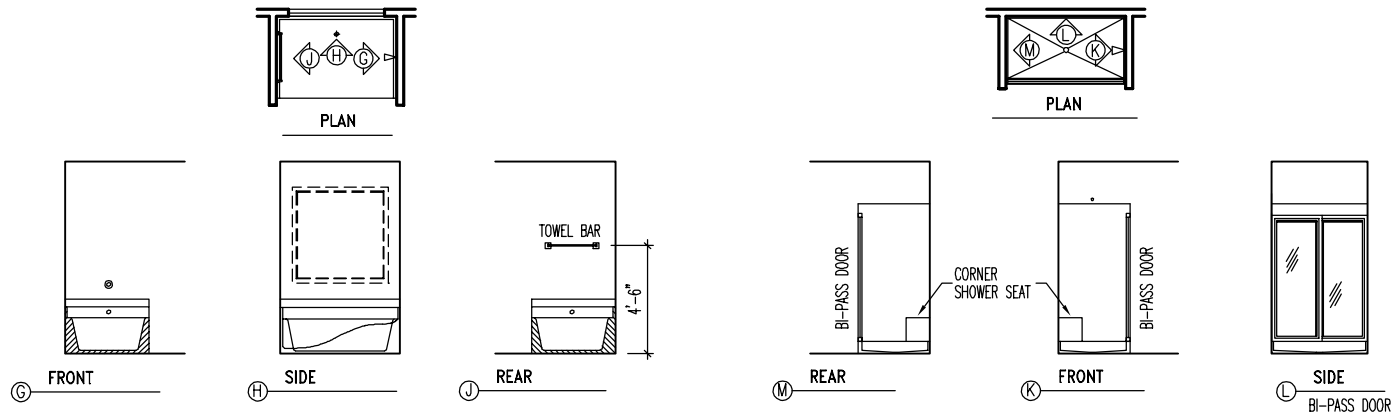
FOUNDATION DETAILS

DETAILS MAY NOT APPLY TO CONTRACT

RALEIGH - D-SHEETS.dwg Feb 27, 2009 - 11:07am

Sheet No.

D8.1



TUB DETAILS

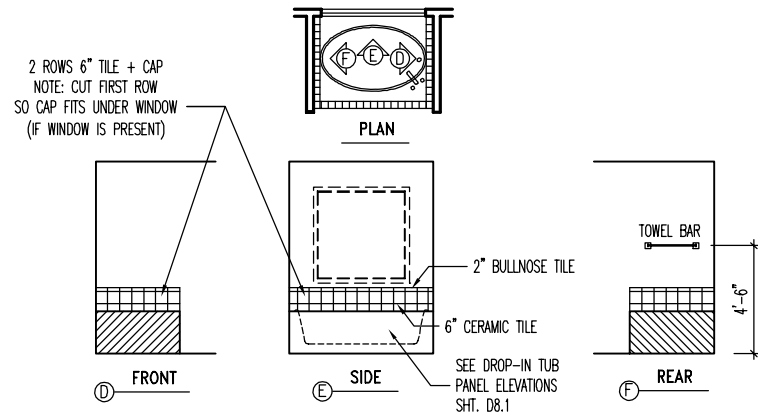
SCALE: 1/8" = 1'-0"

SHOWER DETAILS

SCALE: 1/8" = 1'-0"

STD. OWNER'S BATH DETAILS (WITH SEPERATE SHOWER)

SCALE: 1/8" = 1'-0"

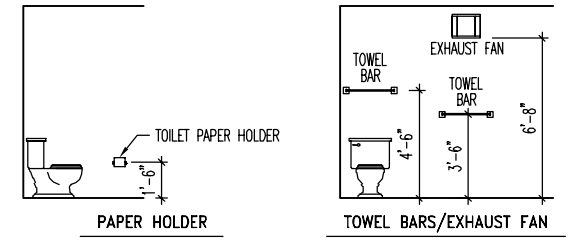


JETTED TUB DETAILS

SCALE: 1/8" = 1'-0"

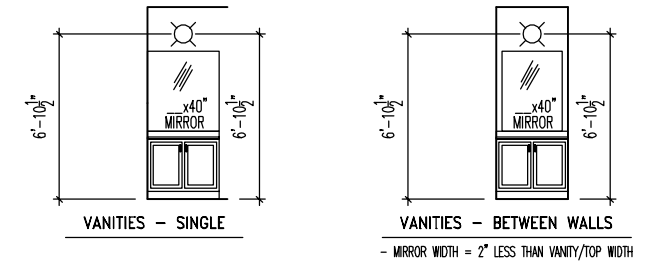
JETTED OWNER'S BATH DETAILS

SCALE: 1/8" = 1'-0" (SHOWER UNITS SAME AS STD. BATH)



PAPER HOLDER/TOWEL BARS

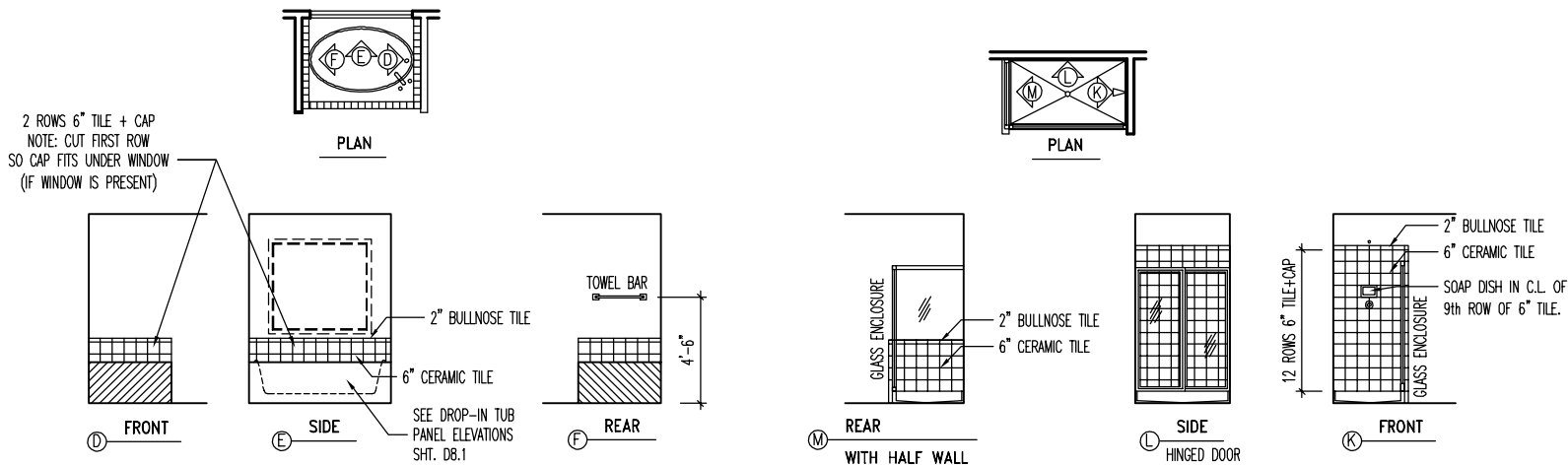
SCALE: 1/8" = 1'-0"



VANITY DETAILS*

SCALE: 1/8" = 1'-0"

* (HALL BATH AND OWNER'S BATH ONLY)



TUB DETAILS (JETTED TUBS SAME DETAILS)

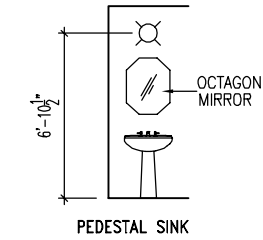
SCALE: 1/8" = 1'-0"

SHOWER DETAILS

SCALE: 1/8" = 1'-0"

DESIGNER OWNER'S BATH DETAILS

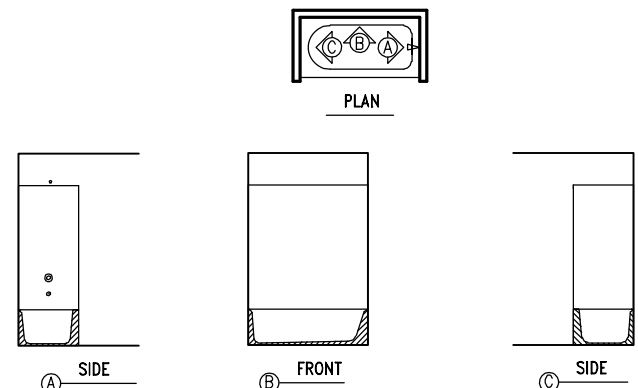
SCALE: 1/8" = 1'-0"



PED SINK DETAILS*

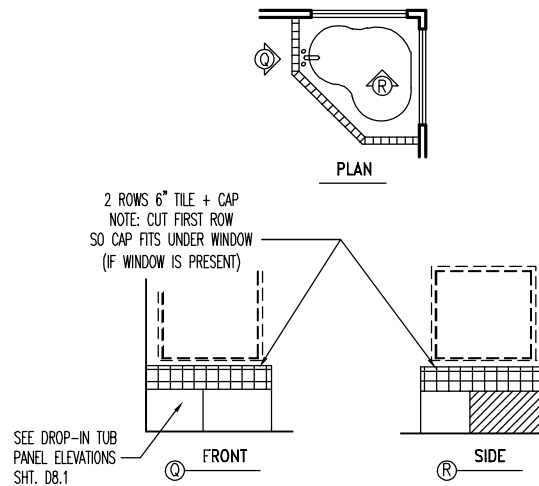
SCALE: 1/8" = 1'-0"

*(STD. IN POWDER ROOMS)



HALL BATH (CONVENTIONAL TUB) DETAILS

SCALE: 1/8" = 1'-0"

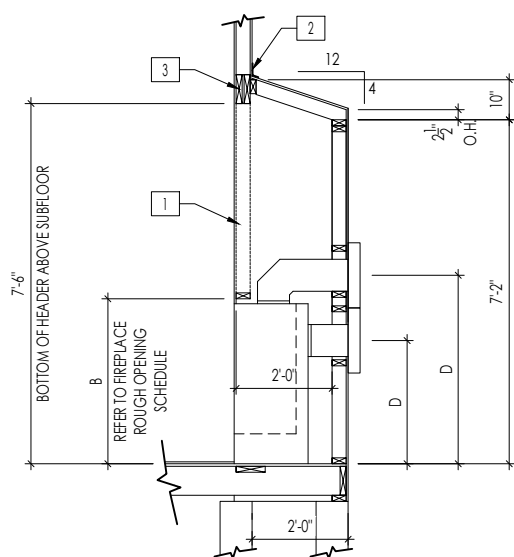


CORNER TUB DETAIL

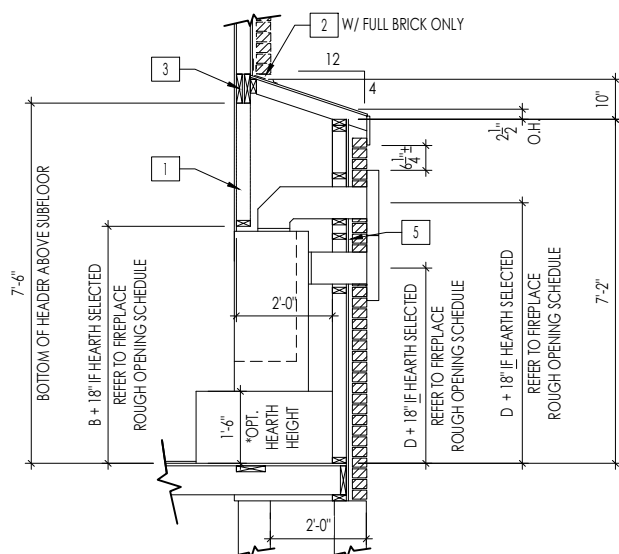
SCALE: 1/8" = 1'-0"



The Drees Company
11/30/2022 9:12:54 AM



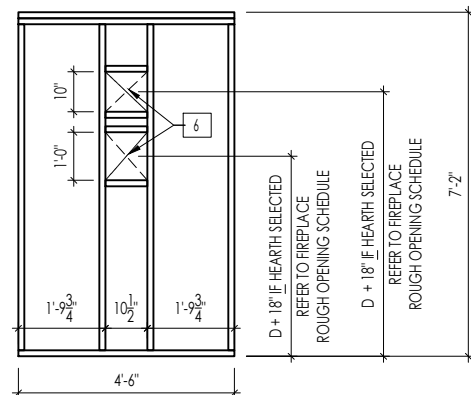
FRAMEWRAP
(SHOWN WITHOUT OPT. HEARTH)



BRICKWRAP
(SHOWN WITH OPT. HEARTH)

FIREPLACE DOGHOUSE SECTIONS

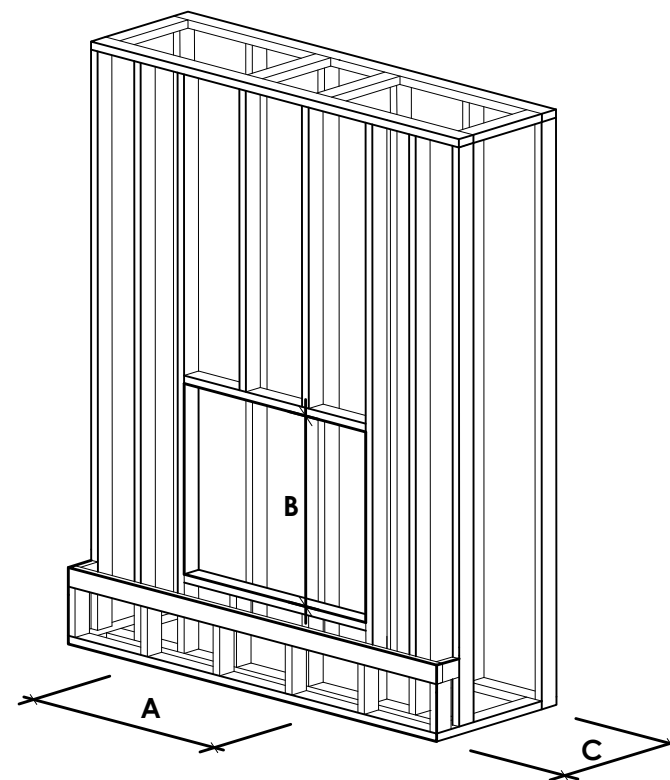
SCALE: 1/4" = 1'-0"



WITH HEARTH

DIRECT VENT REAR WALL FRAMING

SCALE: 1/4" = 1'-0"



NOTE:
PROVIDE OSB SHEATHING WHEN
STONE VENEER SELECTED

FIREPLACE ROUGH OPENING SCHEDULE

| FIREPLACE MANUFACTURER | MODEL | A | B | C | D |
|------------------------|---------------------------|--------------------------|--|--|---|
| | | (FIREBOX REQUIRED WIDTH) | (FIREBOX REQUIRED HEIGHT) *ADD 18" W/ OPT. HEARTH | (FIREBOX REQUIRED DEPTH - INTERIOR REAR WALL TO FRONT EXTERIOR WALL) | (VENT CENTERLINE HEIGHT) *ADD 18" W/ OPT. HEARTH |
| HEAT & GLO | SLIMLINE SL-7 | 42" | 38-1/4" | 16-1/4" | TOP 40" SIDE 26-7/8" |
| | COSMO 42 | 49" | 32-3/4" | 17-3/4" | TOP ONLY 47-1/16" |
| HEARTH & HOME | COURTYARD 36 | 43-3/8" | 44-1/8" | 18-3/8" | SEE MANUFACTURER'S SPEC. |
| | COURTYARD 42 | 49-1/4" | 44-1/8" | 18-1/8" | SEE MANUFACTURER'S SPEC. |
| | LANAI *(NOT IN CINCY/NKY) | 57-3/4" | 39-1/2" | 17-5/8" | SEE MANUFACTURER'S SPEC. |
| | RAVE | 50" | 40-1/4" | 18-1/4" | TOP ONLY 46-1/2" |

all dimensions are in inches

General Notes

- REFER TO SHEET ON.1 FOR GENERAL NOTES.
- VERIFY FIREPLACE MODEL AND HEARTH SELECTION WITH CUSTOMER'S SELECTIONS.

Key Notes

- FUTURE FRAMING FOR F.P. OPENING AFTER INSULATION HAS BEEN INSTALLED IN EXT. WALLS
- FLASHING
- HEADER PER PLAN
- 1" AIRSPACE
- BOX OUT FOR FLUE (REFER TO SELECTIONS FOR FIREPLACE AND OPENING HEIGHT)



The Drees Company
11/30/2022 9:12:54 AM



The Drees Company
211 Grandview Drive Fort Mitchell, Kentucky 41017 PH:(859) 578-4200

Copyright © 2021, (2021) The Drees Company. All Rights Reserved. No portion of this material may be reproduced in any form or by any means, including photocopying, without the express written permission of the Drees Company. The Drees Company will vigorously prosecute any unauthorized use of this material.

FIREPLACE DETAILS

Std. Drawn By: MRPH

Sheet Description:

SCALE: VARIES

Std. Date: 02.29.20

FIREPLACE DETAIL

Date of Last Rev: 7.21.2021

g:\architecture\cincinnati\civil standard drawings\fireplace\fireplace detail sheets.dwg

Sheet No.

F-1

RALEIGH WINDOW SCHEDULE

* MEETS EMERGENCY ESCAPE & RESCUE
OPENING REQUIREMENTS

| Drees General Callout | Window Type | MI Windows and Doors Capitol Series | | Call No. | Rough Opening | Drees General Callout | Call No. | Rough Opening | Call No. | Rough Opening |
|-----------------------|--------------------|-------------------------------------|-------------------|----------|---------------|-----------------------|----------|---------------|----------|---------------|
| | | Call No. | Rough Opening | | | | | | | |
| 1660 | SINGLE/DOUBLE HUNG | CW3500 1/8 x 6/0 | 20" x 60-1/4" | | | | | | | |
| 1670 | SINGLE/DOUBLE HUNG | CW3500 1/8 x 7/0 | 20" x 84" | | | | | | | |
| 1860 | SINGLE/DOUBLE HUNG | CW3500 1/8 x 6/0 | 20" x 60-1/4" | | | | | | | |
| 2030 | SINGLE/DOUBLE HUNG | CW3500 2/0 x 3/0 | 24" x 36" | | | | | | | |
| 2040 | SINGLE/DOUBLE HUNG | CW3500 2/0 x 4/0 | 24" x 48" | | | | | | | |
| 2050 | SINGLE/DOUBLE HUNG | CW3500 2/0 x 5/0 | 24" x 60-1/4" | | | | | | | |
| 2060 | SINGLE/DOUBLE HUNG | CW3500 2/0 x 6/0 | 24" x 72" | | | | | | | |
| 2070 | SINGLE/DOUBLE HUNG | CW3500 2/0 x 7/0 | 24" x 84" | | | | | | | |
| 2430 | SINGLE/DOUBLE HUNG | CW3500 2/4 x 3/0 | 28" x 36" | | | | | | | |
| 2440 | SINGLE/DOUBLE HUNG | CW3500 2/4 x 4/0 | 28" x 48" | | | | | | | |
| 2450 | SINGLE/DOUBLE HUNG | CW3500 2/4 x 5/0 | 28" x 60-1/4" | | | | | | | |
| 2460 | SINGLE/DOUBLE HUNG | CW3500 2/4 x 6/0 | 28" x 72" | | | | | | | |
| 2830 | SINGLE/DOUBLE HUNG | CW3500 2/8 x 3/0 | 32" x 36" | | | | | | | |
| 2840 | SINGLE/DOUBLE HUNG | CW3500 2/8 x 4/0 | 32" x 48" | | | | | | | |
| 2850 | SINGLE/DOUBLE HUNG | CW3500 2/8 x 5/0 | 32" x 60-1/4" | | | | | | | |
| * 2860 | SINGLE/DOUBLE HUNG | CW3500 2/8 x 6/0 | 32" x 72" | | | | | | | |
| 3030 | SINGLE/DOUBLE HUNG | CW3500 3/0 x 3/0 | 36-1/4" x 36" | | | | | | | |
| 3040 | SINGLE/DOUBLE HUNG | CW3500 3/0 x 4/0 | 36-1/4" x 48" | | | | | | | |
| * 3050 | SINGLE/DOUBLE HUNG | CW3500 3/0 x 5/0 | 36-1/4" x 60-1/4" | | | | | | | |
| * 3060 | SINGLE/DOUBLE HUNG | CW3500 3/0 x 6/0 | 36-1/4" x 72" | | | | | | | |
| * 3070 | SINGLE/DOUBLE HUNG | CW3500 3/0 x 7/0 | 36-1/4" x 84" | | | | | | | |
| * 3470 | SINGLE/DOUBLE HUNG | CW3500 3/4 x 7/0 | 40" x 84" | | | | | | | |
| 1050 FIXED | | 910T 5/0 x 1/0 | 59-5/8" x 11-1/2" | | | | | | | |
| 1640 FIXED | | 910T 4/0 x 1/8 | 47-1/4" x 19-1/2" | | | | | | | |
| 2020 FIXED | | CW3500 2/0 x 2/0 | 24" x 24" | | | | | | | |
| 2030 FIXED | | CW3500SL 2/0 x 3/0 | 24" x 36" | | | | | | | |
| 2040 FIXED | | CW3500SL 2/0 x 4/0 | 24" x 48" | | | | | | | |
| 2050 FIXED | | CW3500SL 2/0 x 5/0 | 24" x 60-1/4" | | | | | | | |
| 2816 FIXED | | 910TSL 2/6 x 1/8 | 29-1/4" x 19-1/2" | | | | | | | |
| 2860 FIXED | | CW3500 3/0 x 6/0 | 36" x 72" | | | | | | | |
| 3016 FIXED | | 910TSL 3/0 x 1/8 | 35-1/4" x 19-1/2" | | | | | | | |
| 3020 FIXED | | 910TSL 3/0 x 2/0 | 35-1/4" x 23-1/2" | | | | | | | |
| 3030 FIXED | | CW3500P 3/0 x 3/0 | 36-1/4" x 36" | | | | | | | |
| 3040 FIXED | | CW3500P 3/0 x 4/0 | 36-1/4" x 48" | | | | | | | |
| 3050 FIXED | | CW3500P 3/0 x 5/0 | 36-1/4" x 60-1/4" | | | | | | | |
| 3060 FIXED | | CW3500P 3/0 x 6/0 | 36-1/4" x 72" | | | | | | | |
| 3070 FIXED | | CW3500P 3/0 x 7/0 | 36-1/4" x 84" | | | | | | | |
| 4010 FIXED | | 910T 4/0 x 1/0 | 47-1/4" x 11-1/2" | | | | | | | |
| 4020 FIXED | | 910T 4/0 x 2/0 | 47-1/4" x 23-1/2" | | | | | | | |
| 4030 FIXED | | CW3500P 4/0 x 3/0 | 48" x 36" | | | | | | | |
| 4040 FIXED | | CW3500P 4/0 x 4/0 | 48" x 48" | | | | | | | |
| 4044 FIXED | | CW3500P 4/0 x 4/4 | 48" x 52" | | | | | | | |
| 4050 FIXED | | CW3500P 4/0 x 5/0 | 48" x 60-1/4" | | | | | | | |
| 4060 FIXED | | CW3500P 4/0 x 6/0 | 48" x 72" | | | | | | | |
| 4070 FIXED | | CW3500P 4/0 x 7/0 | 48" x 84" | | | | | | | |
| 5030 FIXED | | CW3500P 5/0 x 3/0 | 60" x 36" | | | | | | | |
| 5040 FIXED | | CW3500P 5/0 x 4/0 | 60" x 48" | | | | | | | |
| 5060 FIXED | | CW3500P 5/0 x 6/0 | 60" x 72" | | | | | | | |
| 5070 FIXED | | CW3500P 5/0 x 7/0 | 60" x 84" | | | | | | | |
| 6020 FIXED | | 910T 6/0 x 2/0 | 71-5/8" x 23-1/2" | | | | | | | |
| 6050 FIXED | | CW3500P 6/0 x 5/0 | 72" x 60-1/4" | | | | | | | |
| 6060 FIXED | | CW3500P 6/0 x 6/0 | 72" x 72" | | | | | | | |
| 3'-0" HALF ROUND | | CW3500 3/0 HC | 36-1/4" | | | | | | | |
| 4'-0" HALF ROUND | | CW3500 3/0 HC | 48" | | | | | | | |
| 5'-0" HALF ROUND | | CW3500 3/0 HC | 60" | | | | | | | |
| 2020 OCTAGON | | CW3500 2/0 OCT | 24" | | | | | | | |
| 2'-4" QUARTER ROUND | | CW3500 2/4 QC | 28" | | | | | | | |
| 3'-0" QUARTER ROUND | | CW3500 3/0 QC | 36-1/4" | | | | | | | |



Drees Homes
7701 Six Forks Road, Suite 132, Raleigh, NC 27615 PH:(919) 844-9288
Copyright © 2008, (2013) The Drees Company. All Rights Reserved. No portion of this material may be reproduced in any form or by any means, including photocopying, without the express written permission of the Drees Company. The Drees Company will vigorously prosecute any unauthorized use of this material.

Sheet Description:
WINDOW SCHEDULE

Sheet No.
SC-01

MOULDED MILLWORK SCHEDULE

LAST REVISED 11/22/17

| HEADERS | | |
|------------------------|--------------|----------------|
| Drees General Callout | Nuwood | Fypon |
| ARCHED HEADER D1 | H8xxEFR | N/A |
| ARCHED HEADER D1K | H8xxEFKR | N/A |
| ARCHED HEADER D2 | H8xxEFTR | N/A |
| ARCHED HEADER D2K | H8xxEFTKR | N/A |
| ARCHED HEADER D3 | AH10xx | WCHSEGxxX10 |
| ARCHED HEADER D3K | N/A | WCHSEGxxX10K |
| ARCHED HEADER D4 | AR5xx | ARxxX6M |
| ARCHED HEADER D4K | AR5xxK | ARxxX6MK |
| ARCHED HEADER D5 | AR10xxEC | ARxxX6METAR6C |
| ARCHED HEADER D5K | AR10xxECK | ARxxX6METAR6CK |
| ARCHED HEADER D6 | AR10xxC | ARxxX10MC |
| ARCHED HEADER D6K | AR10xxCK | ARxxX10MCK |
| ARCHED HEADER D7K | H7xxEF-4K | N/A |
| ARCHED HEADER D8 | AR14xxC | ARxxX14MC |
| ARCHED HEADER D8K | AR14xxCK | ARxxX14MCK |
| ARCHED HEADER D9 | H9xxE | WCHAR5xx13 |
| CROSSHEAD A1 | H9xx | WCHxxX9N |
| CROSSHEAD A1K | H9xxK | WCHxxX9NK |
| CROSSHEAD B1 | H14xxBT | WCHxxX14BT |
| CROSSHEAD B1K | H14xxBTK | WCHxxX14BTK |
| CROSSHEAD B2 | H12xx | WCHxxX12 |
| CROSSHEAD B2K | H12xxK | WCHxxX12K |
| CROSSHEAD C1 | H18xxBT | WCHxxX14BT |
| CROSSHEAD C1K | H18xxBTK | WCHxxX14BTK |
| CROSSHEAD C2 | H18xxBT-PA | LDCHxxX18 |
| CROSSHEAD C2K | H18xxBTK-PA | LDCHxxX18K |
| CROSSHEAD Z-E1-HDR | Z-E1-HDR | Z-E1-HDR |
| CROSSHEAD Z-E2-HDR | Z-E2-HDR | Z-E2-HDR |
| CROSSHEAD Z-E3-HDR | Z-E3-HDR | Z-E3-HDR |
| CROSSHEAD Z-E3-ARCHHDR | Z-E3-ARCHHDR | Z-E3-ARCHHDR |
| CROSSHEAD Z-E3-CLHDR | Z-E3-CLHDR | Z-E3-CLHDR |
| CROSSHEAD Z-E5-HDR | Z-E5-HDR | Z-E5-HDR |
| WINDOW HEADER A1 | H6xx | WCHxxX6 |
| WINDOW HEADER A1K | H6xxK | WCHxxX6K |
| WINDOW HEADER B1 | H9xx-2 | WCHxxX9N |
| WINDOW HEADER B1K | H9xx-2K | WCHxxX9NK |
| WINDOW HEADER B2 | H9xxBT | WCHxxX10NBT |
| WINDOW HEADER B2K | H9xxBTK | WCHxxX10NBTK |
| WINDOW HEADER C1 | H9xx | CCAxX10 |
| WINDOW HEADER C1K | H9xxK | CCAxX10K |
| WINDOW HEADER C2 | H9xxT | WCHxxX9T |
| WINDOW HEADER C2K | H9xxTK | WCHxxX9TK |
| WINDOW HEADER C3 | H12xxBT | WCHxxX10BT |
| WINDOW HEADER C3K | H12xxBTK | WCHxxX10BTK |
| WINDOW HEADER C4 | H14xxBT | WCHxxX14BT |
| WINDOW HEADER D1 | H7xxF-4 | N/A |
| WINDOW HEADER D1K | H7xxF-4K | N/A |
| WINDOW HEADER D2K | H9xxK-1 | N/A |
| WINDOW HEADER Z-W1 | Z-W1 | Z-W1 |
| WINDOW HEADER Z-W3 | Z-W3 | Z-W3 |
| WINDOW HEADER Z-W3K | Z-W3K | Z-W3K |
| WINDOW HEADER Z-W3D | Z-W3D | Z-W3D |
| WINDOW HEADER Z-W4 | Z-W4 | Z-W4 |
| WINDOW HEADER Z-W4K | Z-W4K | Z-W4K |

| PILASTERS | | |
|-----------------------|-----------|----------------------------|
| Drees General Callout | Nuwood | Fypon |
| FLUTED PILASTER A1 | PL7xxF | PIL7Xxx |
| FLUTED PILASTER B1 | PL9xxF | PIL9Xxx |
| FLUTED PILASTER C1 | PL11xxFM | PIL11Xxx |
| PANEL PILASTER A2 | PL7xxP | PIL7XxxDP |
| PANEL PILASTER B2 | PL9xxP | PIL9XxxDP |
| PANEL PILASTER C2 | PL11xxPM | PIL11XxxDP |
| PILASTER D1 | M311-9 | PIL10XxxA |
| PILASTER D2 | M323-9 | N/A |
| PILASTER Z-E1-PIL | Z-E1-PIL | Z-E1-PIL |
| PILASTER Z-E2-PIL | Z-E2-PIL | Z-E2-PIL |
| PILASTER Z-E3-PIL | Z-E3-PIL | Z-E3-PIL |
| PILASTER Z-PIL-EXT | Z-PIL-EXT | Z-PIL-EXT |
| PLAIN PILASTER A3 | PL7xxS | PIL7XxxP |
| PLAIN PILASTER B3 | PL9xxS | PIL9XxxP |
| PLAIN PILASTER C3 | PL11xxS | PIL11XxxP |
| PLINTH D1 | PF10 | ADD "P" TO END OF PILASTER |
| PLINTH D2 | P14.5 | N/A |

| LOUVERS | | | |
|------------------------|--------------|-------------|-------------|
| Drees General Callout | Nuwood | Fypon | Mid-America |
| CATHEDRAL LOUVER D1 | CLV1224 | CLV12X24 | -- |
| CATHEDRAL LOUVER D1T | CLV1224TRIM4 | CLV12X24X4F | -- |
| CATHEDRAL LOUVER D2 | CLV1432 | CLV14X32 | -- |
| CATHEDRAL LOUVER D2T | CLV1432TRIM4 | CLV14X32X4F | 00 44 1422 |
| CATHEDRAL LOUVER D3 | CLV2232 | CLV22X32 | -- |
| CATHEDRAL LOUVER D3T | CLV2232TRIM4 | CLV22X32X4F | -- |
| HALF CIRCLE LOUVER D1 | HRLV32 | HRLV32X16 | -- |
| HALF CIRCLE LOUVER D1T | HRLV32TRIM4 | HRLV32X4F | -- |
| HALF CIRCLE LOUVER D2 | HRLV36 | HRLV36X18 | -- |
| HALF CIRCLE LOUVER D2T | HRLV36TRIM4 | HRLV36X4F | 00 43 2234 |
| OCTAGONAL LOUVER D1 | OLV24 | OLV24 | -- |
| OCTAGONAL LOUVER D12 | OLV24TRIM4 | OLV24X4F | -- |
| OVAL LOUVER D1 | OLV2537 | OLV37X25 | -- |
| OVAL LOUVER D1T | OLV2537TRIM4 | OLV37X25X4F | -- |
| RECTANGULAR LOUVER D1 | LV1224V | LV12X24 | 00 45 1218 |
| RECTANGULAR LOUVER D1T | LV1224VTRIM4 | LV12X24-4F | 00 45 1218 |
| RECTANGULAR LOUVER D2 | LV1636V | LV16X36 | -- |
| RECTANGULAR LOUVER D2T | LV1636VTRIM4 | LV16X36-4F | -- |
| RECTANGULAR LOUVER D3 | LV2436V | LV24X36 | -- |
| RECTANGULAR LOUVER D3T | LV2436VTRIM4 | LV24X36-4F | -- |
| RECTANGULAR LOUVER D4 | LV2424V | LV24X24 | -- |
| RECTANGULAR LOUVER D4T | LV2424VTRIM4 | LV24X24-4F | -- |
| ROUND LOUVER D1 | RLV18 | RLV18 | -- |
| ROUND LOUVER D1T | RLV18TRIM4 | RLV18X4F | -- |
| ROUND LOUVER D2 | RLV22 | RLV22 | -- |
| ROUND LOUVER D2T | RLV22TRIM4 | RLV22X4F | -- |
| TRIANGULAR LOUVER D1 | -- | TRLVxxX36 | 00 47 0x0x |

| BRACKETS | | |
|-----------------------|-------------------|-----------------------------|
| Drees General Callout | Nuwood | Fypon |
| EXTERIOR BRACKET D1 | BR437 | N/A |
| EXTERIOR BRACKET D2 | DB102 | DTLB6X4X6 |
| EXTERIOR BRACKET D3 | BR304 (7" WIDE) | BKT24X24X7 |
| EXTERIOR BRACKET D4 | BR455 | N/A |
| EXTERIOR BRACKET D5 | BR300-1 | BKT12X12X6 |
| EXTERIOR BRACKET D6 | BR300 | BKT12X12 |
| EXTERIOR BRACKET D7 | BR409 | BKT16X18X3 |
| EXTERIOR BRACKET D8 | BR413 | DTLB5X5X3 |
| EXTERIOR BRACKET D9 | TBD | BKT11X20 |
| EXTERIOR BRACKET D10 | TBD | BKT12X24X3 |
| EXTERIOR BRACKET D11 | BR435 | BKT25X27 |
| EXTERIOR BRACKET D12 | BR404 | BKT16X30X4 |
| EXTERIOR BRACKET D13 | BR23.13x10.13x5.5 | N/A |
| GABLE BRACKET D1 | TBD | DTLB6X4X6R(OR L)PITCH |
| GABLE BRACKET D2 | BR423-x:12 | BKT5X20 |
| GABLE BRACKET D3 | BR424-x:12 | BKT5X20 (CUT 2" PROJECTION) |

| MOULDINGS | | |
|-----------------------|--------------|-----------|
| Drees General Callout | Nuwood | Fypon |
| BAND MOULD D1 | M210-16 | MLD612-12 |
| BAND MOULD D2 | M301-16 | MLD220-16 |
| BARGE MOULD D1 | WM210 | WM210 |
| CASE MOULD D1 | M320-16 | MLD226-16 |
| CASE MOULD D2 | N/A | MLD244-12 |
| CROWN MOULD D1 | M404-16 | MLD572-16 |
| DENTIL MOULD D1 | M105-16 | MLD310-16 |
| DENTIL MOULD D2 | M108-8 | MLD353-8 |
| HALF ROUND MOULD D1 | N/A | MLD605-12 |
| PANEL MOULD D1 | M310-8 OR 16 | MLD612-12 |

| PEDIMENTS / COMBO HEADERS | | |
|---------------------------|--------------|--------------------|
| Drees General Callout | Nuwood | Fypon |
| BROW COMBO D1 | BCxx | CSAPxx |
| PEAK PEDIMENT D1 | Pxx-4 (6:12) | PCPxx |
| PEAK PEDIMENT Z-E1-PED | Z-E1-PED | Z-E1-PED |
| PEAKED COMBO D1 | PCxx-4 | CPCPxx |
| RAMS HEAD PEDIMENT D1 | Rxx | RHPxx00 |
| ROUND PEDIMENT D1 | Bxx-4 | PSPxx |
| SUNRISE COMBO D1 | SCxx-4 | CSPxx |
| VICTORIAN PEDIMENT D1 | VPxx | DVPxx w/ SWDHxxXxx |

| WINDOW DECORATION | | |
|-------------------------|----------------------|--|
| Drees General Callout | Nuwood | Fypon |
| HALF CIRCLE SUNBURST D1 | SPxxxx | SWDHxxXxx |
| PALLADIAN WINDOW D1 | H9AR10-xx xx" FL/FR | ARxxX10MFLxxx |
| PALLADIAN WINDOW D1K | H9AR10-xxK xx" FL/FR | ARxxX10MFLxxx with K10TM |
| PALLADIAN WINDOW D2 | H9AR10SPxxxx | ARxxX10MFLxxx with SWDHxxXxx |
| PALLADIAN WINDOW D2K | H9AR10SPxxxxK | ARxxX10MFLxxx with SWDHxxXxx and K10TM |
| PEAKED CAP HEADER D1 | N/A | CHPCxxX15 |
| PLAIN SEGMENT D1 | SPxxxxP | PSPxx |
| SEGMENT SUNBURST D1 | SPxxxx | SWDHxxXxx |

| ACCESSORIES | | |
|-----------------------|---------|----------------------|
| Drees General Callout | Nuwood | Fypon |
| GABLE D1 | PGDx12 | GPA (width X height) |
| KEystone D1 | KY14F-3 | KY14 |
| KEystone D2 | KYHM9F | K9M |
| WREATH D1 | N/A | WAB34 |



Copyright © 2008, (2017) The Drees Company. All Rights Reserved. No portion of this material may be reproduced in any form or by any means, including photocopying, without the express written permission of the Drees Company. The Drees Company will vigorously prosecute any unauthorized use of this material.

Sheet Description:

MOULDED MILLWORK SCHEDULE

Sheet No.

SC-02