



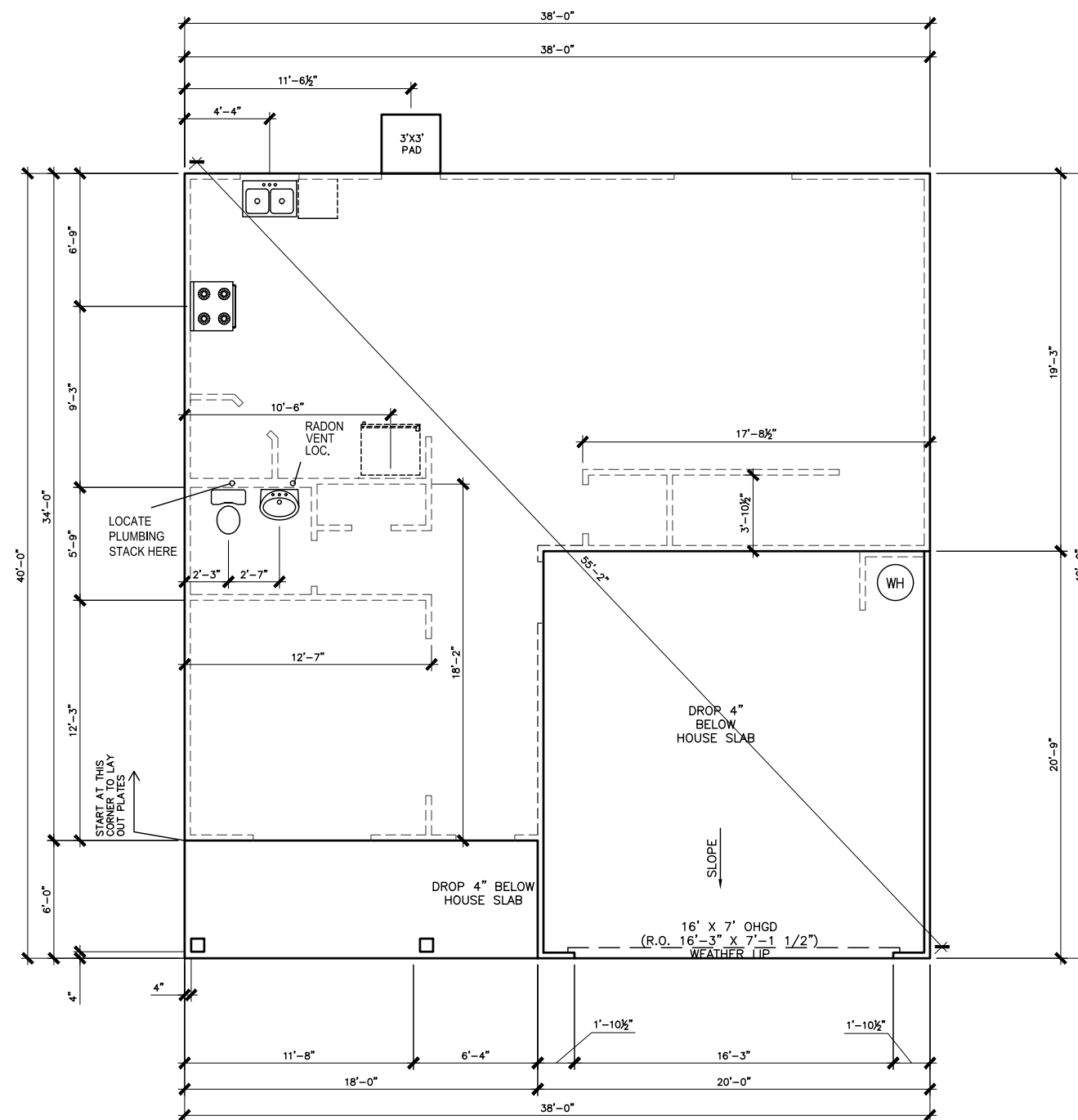




# DUNCANS CROSSING LOT 77

\*RADON VENT PROVIDED  
PER LOCAL CODE

REFER TO DETAIL 3/D1 FOR  
BRICK LEDGE DETAIL WHEN  
BRICK VENEER IS CHOSEN



SLAB PLAN

SCALE: 1/8" = 1'-0"

DATE	REVISION	BY	#



FOUNDATION PLAN  
SLAB PLAN  
MCGINNIS

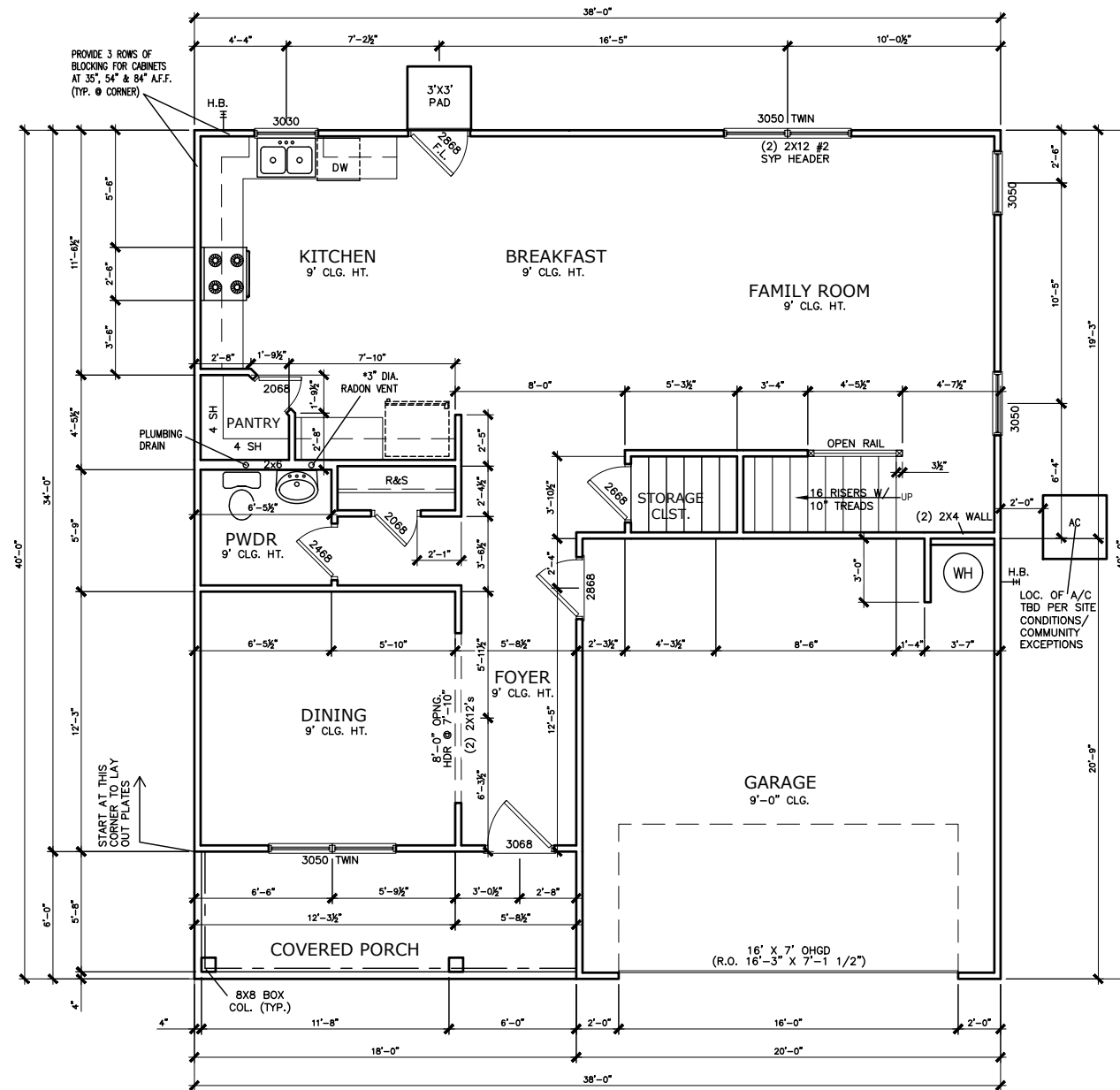
SMITH DOUGLAS HOMES  
110 VILLAGE TRAIL  
SUITE 115  
WOODSTOCK, GA 30188  
www.smithdouglas.com

SMITH DOUGLAS HOMES  
expressly reserves its  
property rights in these  
plans and drawings.  
These plans and related  
drawings are not to be  
reproduced without written  
consent from SMITH  
DOUGLAS HOMES.

BY: CLJ	CHK: AW
DATE: 11-23-22	
FACADE OPT: C	
PLAN ID:	
FND: ALL	ELEV: C
PAGE NO: A3.1	



# DUNCANS CROSSING LOT 77



FIRST FLOOR PLAN

SCALE: 1/8" = 1'-0"

\*RADON VENT PROVIDED PER LOCAL CODE

BY	REVISION	DATE



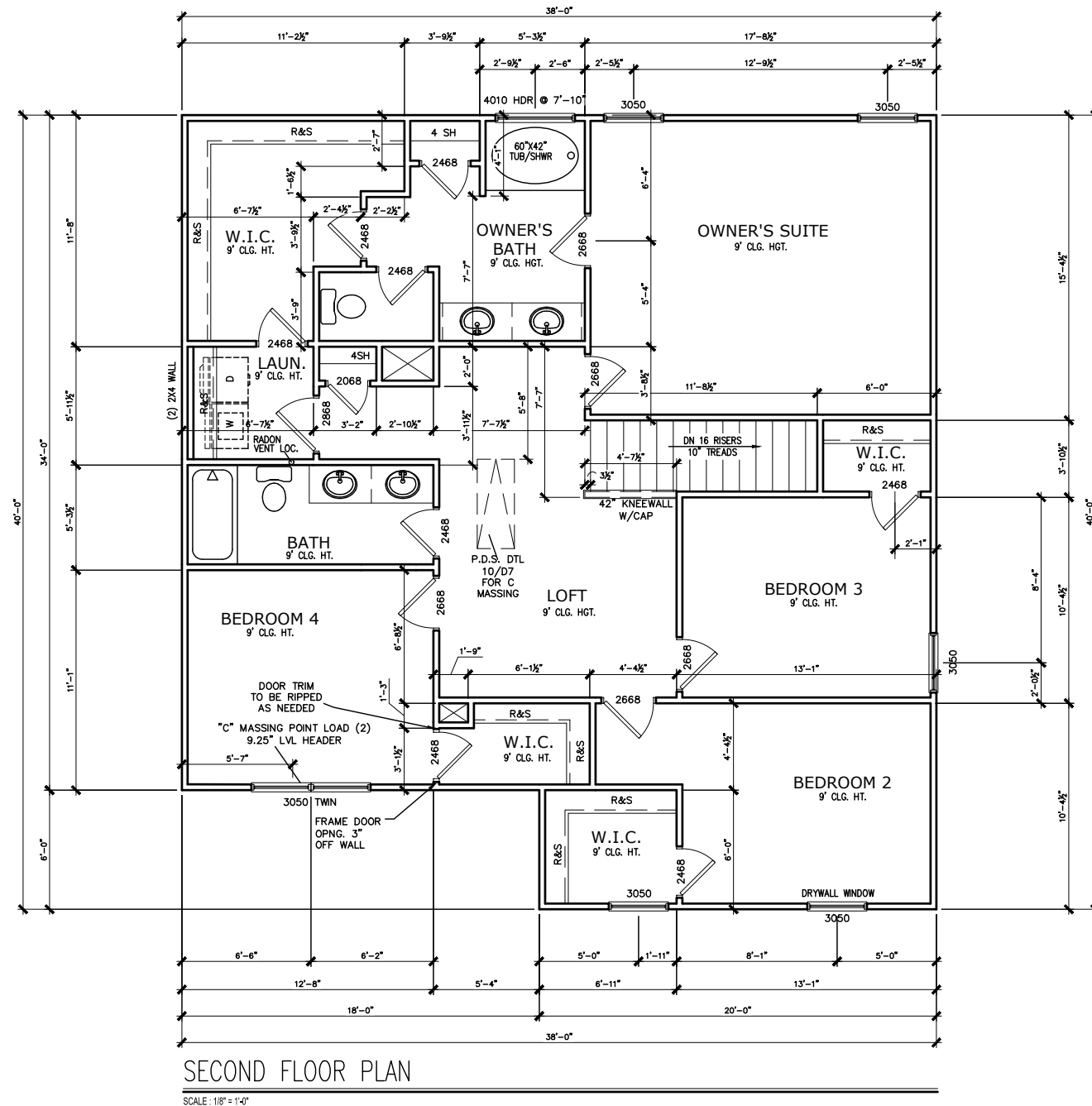
FLOOR PLAN  
FIRST FLOOR  
MCGINNIS

SMITH DOUGLAS HOMES  
110 VILLAGE TRAIL  
SUITE 115  
WOODSTOCK, GA 30188  
www.smithdouglas.com

SMITH DOUGLAS HOMES expressly reserves its property rights in these plans and drawings. These plans and related drawings are not to be reproduced without written consent from SMITH DOUGLAS HOMES.

BY: CLJ	CHK: AW
DATE: 11-23-22	
FACADE OPT: C	
PLAN ID:	
FND: ALL	ELEV: C
PAGE NO: A5.1	

# DUNCANS CROSSING LOT 77



\*RADON VENT PROVIDED  
PER LOCAL CODE

REFER TO MANUFACTURER'S SPECS.  
FOR DRAIN LOCATIONS ON DETAIL  
SHEETS D12, D12.1, D12.2 & D12.3

BY	#	REVISION	DATE



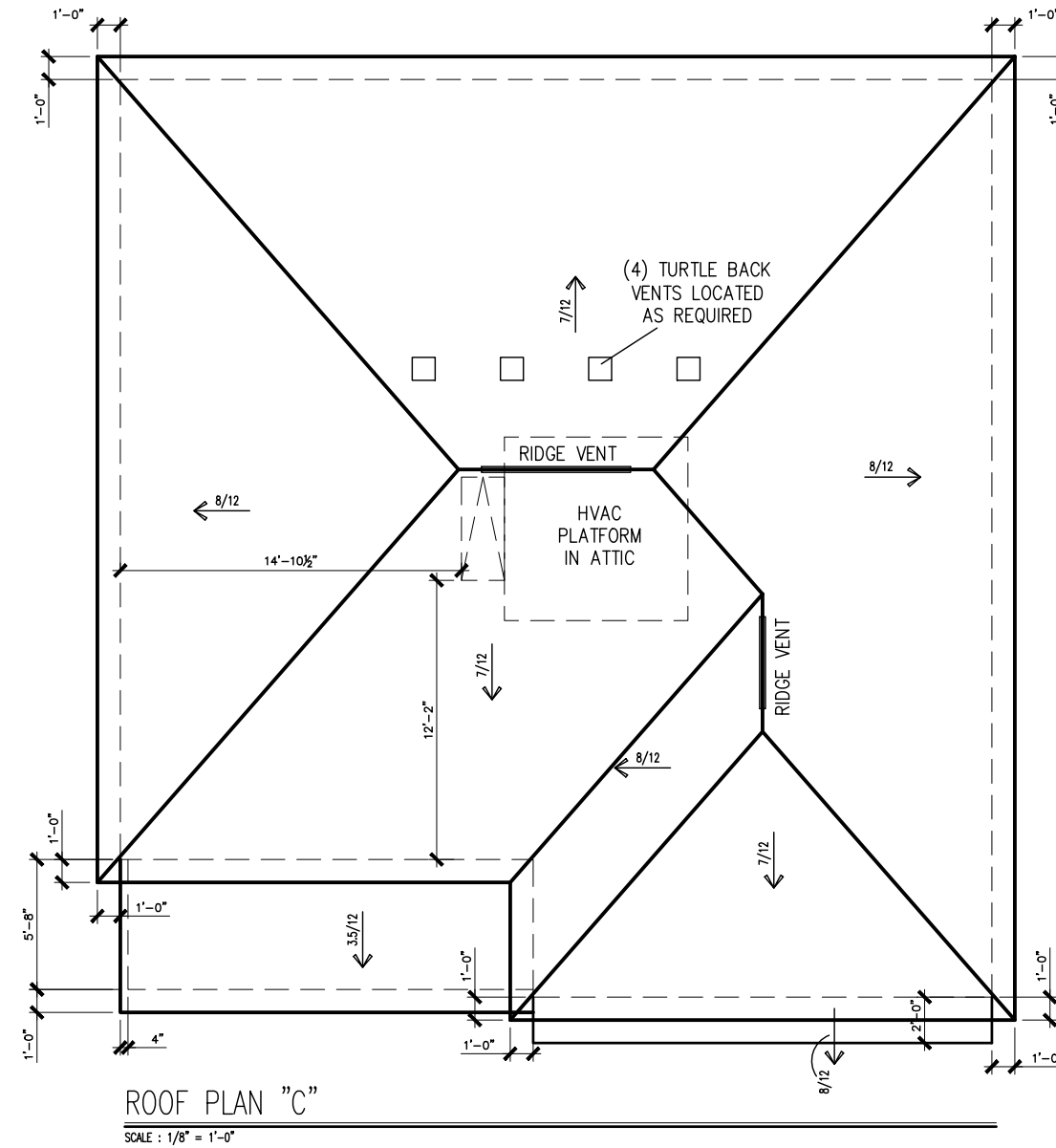
FLOOR PLANS  
**SECOND FLOOR**  
MCGINNIS

SMITH DOUGLAS HOMES  
110 VILLAGE TRAIL  
SUITE 115  
WOODSTOCK, GA 30188  
www.smithdouglas.com

SMITH DOUGLAS HOMES  
expressly reserves it's  
property rights in these  
plans and drawings.  
These plans and related  
drawings are not to be  
reproduced without written  
consent from SMITH  
DOUGLAS HOMES.

BY: CLJ	CHK: AW
DATE: 11-23-22	
FACADE OPT: C	
PLAN ID:	
FND: ALL	ELEV: C
PAGE NO: A5.2	

# DUNCANS CROSSING LOT 77



DATE	REVISION	BY	#



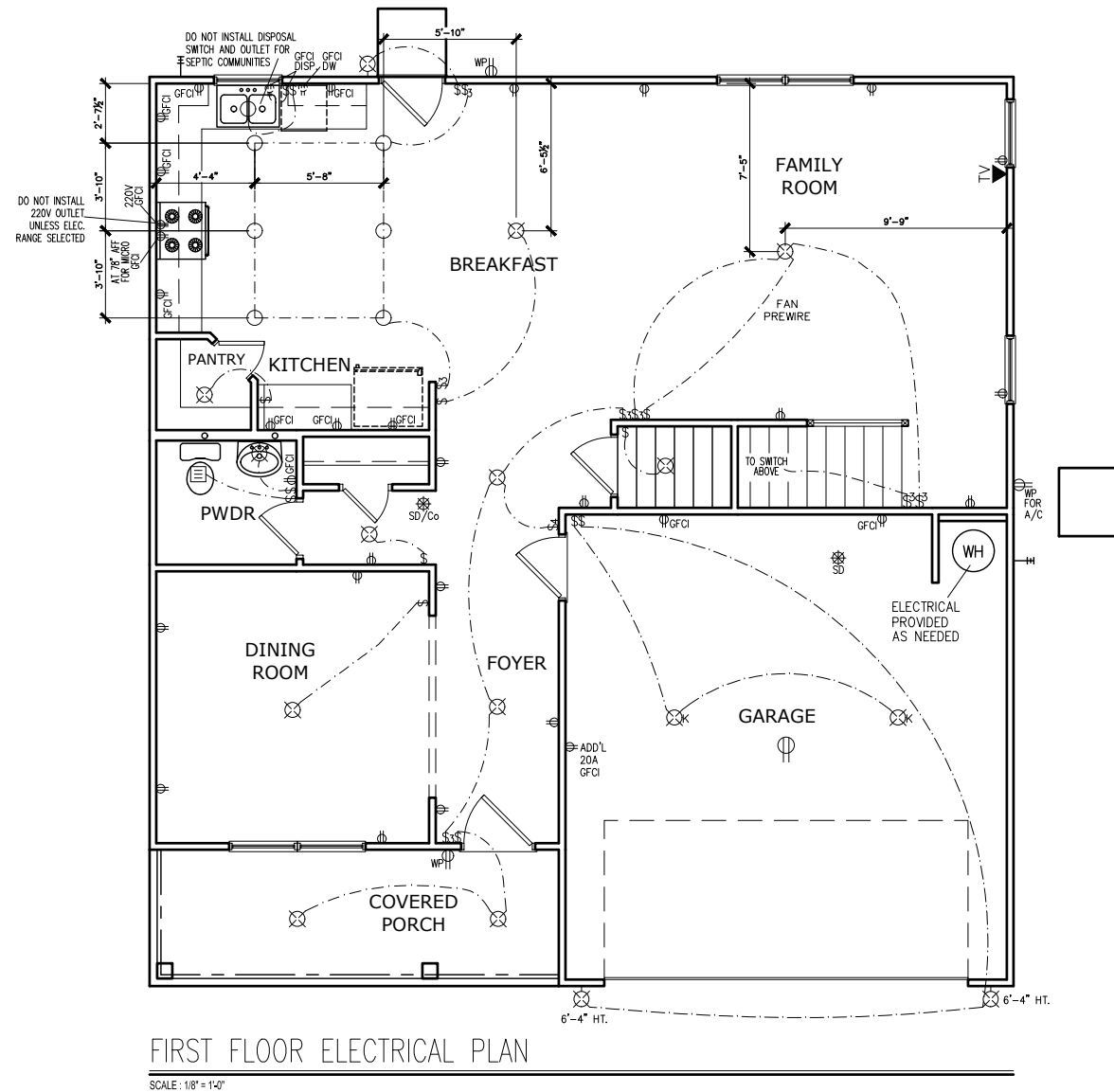
ROOF PLAN  
ROOF PLAN  
MCGINNIS

SMITH DOUGLAS HOMES  
110 VILLAGE TRAIL  
SUITE 115  
WOODSTOCK, GA 30188  
www.smithdouglas.com

SMITH DOUGLAS HOMES expressly reserves its property rights in these plans and drawings. These plans and related drawings are not to be reproduced without written consent from SMITH DOUGLAS HOMES.

BY: CLJ	CHK: AW
DATE: 11-23-22	
FACADE OPT: C	
PLAN ID:	
FND: ALL	ELEV: C
PAGE NO: A6.1	

# DUNCANS CROSSING LOT 77



FIRST FLOOR ELECTRICAL PLAN

ELECTRICAL LEGEND			
\$	SWITCH	TV	TV
\$3	3 WAY SWITCH	⊕	120V RECEPTACLE
\$4	4 WAY SWITCH	⊕	120V SWITCHED RECEPTACLE
⊗	CEILING FIXTURE	⊕	220V RECEPTACLE
⊕	KEYLESS	⊕ <sub>GFCI</sub>	GFCI OUTLET
⊗	WALL MOUNT FIXTURE	⊕ <sub>I</sub> AFCI	ARCH FAULT CIRCUIT INTERRUPTER
○	CEILING FIXTURE	† <sub>GL</sub>	GAS LINE
●	FLEX CONDUIT	† <sub>WL</sub>	WATER LINE
CH	CHIMES	⊥	HOSE BIBB
PH	TELEPHONE	⊕	FLOOD LIGHT
SD/Cd	SMOKE DETECTOR & CARBON MONOXIDE	⊕	1x4 LUMINOUS FIXTURE
SO	SECURITY OUTLET	⊗	CEILING FAN
□	GARAGE DOOR OPENER	—	ELECTRICAL WIRING
⊕	EXHAUST FAN	⊕	CEILING FIXTURE
⊕	FAN/LIGHT		
ELECTRICAL PLANS TO FOLLOW ALL LOCAL CODES			
APPROX. FIXTURE HGTS (MEASURED FROM BOTTOM OF FIXTURE)			
BREAKFAST/DINING ROOM	63" ABOVE FINISHED FLOOR		
KITCHEN PENDANT LIGHTS	33" ABOVE COUNTER TOP		
TWO STORY FOYER FIXTURE	96" ABOVE FINISHED FLOOR		
CEILING FAN	96" ABOVE FINISHED FLOOR		

NOTE: FINAL PLACEMENT OF PHONE/CABLE T.B.D. ON SITE BY THE BUILDER

BY	#	REVISION	DATE

**SMITH DOUGLAS HOMES**  
QUALITY | INTEGRITY | VALUE

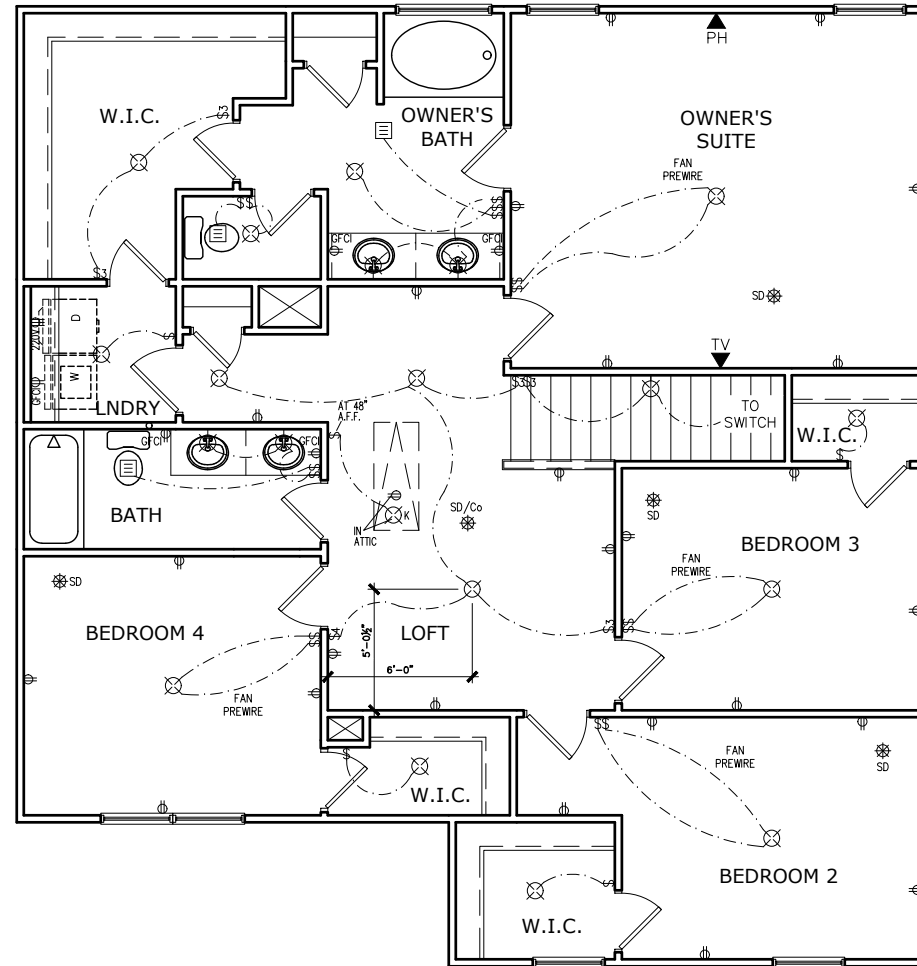
ELECTRICAL PLAN  
FIRST FLOOR  
MCGINNIS

SMITH DOUGLAS HOMES  
110 VILLAGE TRAIL  
SUITE 115  
WOODSTOCK, GA 30188  
www.smithdouglas.com

SMITH DOUGLAS HOMES expressly reserves its property rights in these plans and drawings. These plans and related drawings are not to be reproduced without written consent from SMITH DOUGLAS HOMES.

BY: CLJ | CH: AW  
DATE: 11-23-22  
FACADE OPT: C  
PLAN ID:  
FND: ALL | ELEV: C  
PAGE NO: A7.2

# DUNCANS CROSSING LOT 77



SECOND FLOOR ELECTRICAL PLAN

SCALE: 1/8" = 1'-0"

## ELECTRICAL LEGEND

\$	SWITCH	TV	TV
\$3	3 WAY SWITCH	⊕	120V RECEPTACLE
\$4	4 WAY SWITCH	⊕	120V SWITCHED RECEPTACLE
⊗	CEILING FIXTURE	⊕	220V RECEPTACLE
⊕	KEYLESS	⊕	GFCI OUTLET
⊗	WALL MOUNT FIXTURE	⊕	ARCH FAULT CIRCUIT INTERRUPTER
○	CEILING FIXTURE	†	GAS LINE
●	FLEX CONDUIT	†	WATER LINE
CH	CHIMES	⊥	HOSE BIBB
PH	TELEPHONE	⊕	FLOOD LIGHT
SD/Co	SMOKE DETECTOR & CARBON MONOXIDE	▭	1x4 LUMINOUS FIXTURE
SO	SECURITY OUTLET	⊗	CEILING FAN
□	GARAGE DOOR OPENER	—	ELECTRICAL WIRING
⊕	EXHAUST FAN	⊕	CEILING FIXTURE
⊕	FAN/LIGHT		

ELECTRICAL PLANS TO FOLLOW ALL LOCAL CODES

APPROX. FIXTURE HGTS (MEASURED FROM BOTTOM OF FIXTURE)

BREAKFAST/DINING ROOM	63" ABOVE FINISHED FLOOR
KITCHEN PENDANT LIGHTS	33" ABOVE COUNTER TOP
TWO STORY FOYER FIXTURE	96" ABOVE FINISHED FLOOR
CEILING FAN	96" ABOVE FINISHED FLOOR

NOTE: FINAL PLACEMENT OF PHONE/CABLE T.B.D. ON SITE BY THE BUILDER

BY	#	#	#	#	#
REVISION					
DATE					




ELECTRICAL PLAN  
SECOND FLOOR  
MCGINNIS

SMITH DOUGLAS HOMES  
110 VILLAGE TRAIL  
SUITE 115  
WOODSTOCK, GA 30188  
www.smithdouglas.com

SMITH DOUGLAS HOMES expressly reserves it's property rights in these plans and drawings. These plans and related drawings are not to be reproduced without written consent from SMITH DOUGLAS HOMES.

BY:	CLJ	CHK:	AW
DATE:	11-23-22		
FACADE OPT:	C		
PLAN ID:			
FND:	ALL	ELEV:	C
PAGE NO:	A7.3		

# DUNCANS CROSSING LOT 77



Smith Douglas Communities  
Home Definition Guide  
Duncans Crossing  
Lot: 000/0077

<b>Community:</b> Duncans Crossing <b>Lot:</b> 000/0077 <b>Address:</b> 86 Bonnie Girl Court Lillington, NC 27546 <b>Plan:</b> McGinnis C <b>CAD Version:</b> 070121 <b>Bedrooms:</b> 4 <b>Bathrooms:</b> 2.5 <b>Sq. Footage:</b> 2,372	<b>Purchaser:</b> Emmanuel Eisenhauer <b>Contract #:</b> <b>Current Status:</b> <b>Lot Premium:</b> <b>Plan Price:</b> <b>Options:</b> <b>Adjustments:</b> <b>Total Price:</b>
---	---


  

Option Name	Option Description	Qty
Blinds 31 A (Lvl/Cd/Pkg/Cl)	NOTE: If Laminate Kitchen top, Upgrade Kit Faucet or it remains Chrome. *OPT CABINET HARDWARE IS CRIB*Includes all brushed bronze kitchen faucet, bath faucets & fixtures, oval mirror, door hardware (handles, bumps, knobs/levers, deadbolts) & Pkg(Ptnts) light fixtures. Separate options also affected: shower door, bath hardware (towel bar/ing, tp holder), shower grab bar	1
Window(s) in Family Room	Add window(s) to Family Room per plan option. See specific plan for details. Does not include blind or screen.	1
Level 2 - Package Electric (From E1)	NOTE: Please See Appliance Sales PDF for Package Details	1
Cabinet Knob/Pull Combo	Cabinet Knob/Pull Hybrid-Element 1092 series-pulls on all drawers, knobs on all doors. Note: Bath cabinets to match	1
Kitchen Faucet - Level 2 (L)	Upgrade to Level 2 Pulldown Kitchen Faucet From Standard faucet on LAMINATE tops. NOTE: Do not pick this option if upgrading to any level of granite or Stone Surfaces.	1
Owner Bath Marble 1 Double ilo LamSgl	***Includes Vanity Double Bowl Option Do Not Select Both***	1
Hall Bath Marble 1 Double ilo LamSgl	***Includes Vanity Double Bowl Option Do Not Select Both***	1
Laundry Door to Owner WIC	Additional Door to Access the Laundry Room, Door Size Per Plan. Door to receive a privacy knob/be a lockable door.	1
Open Rail 1st Floor - Iron		1

Buyer's Signature _____	Seller's Signature _____
Date _____	Date _____

Smith Douglas Communities 11/18/2022 Page 1 of 3




Smith Douglas Communities  
Home Definition Guide  
Duncans Crossing  
Lot: 000/0077

Option Name	Option Description	Qty
Blind per Optional 3050 Single Window	One 3050 blind. For use when you've added a 3050 optional window. See Optional Windows Sales Guide on the Process Model for assistance.	2
Blinds for Base House	Includes blinds for all standard windows on front, sides, and rear that are operational and accessible. Does not include blinds for any optional windows, including windows for optional second floors.	1
Screen Per Optional 3050 Window	Note: If the optional window is a 3050 type, it needs two screens.	2
Screens Base House Single Family	Add window screens to all operable standard windows on single family home. NOTE: Does not include screens for windows for optional 2nd-floors, side entry garage, or windows added or changed from structural options, optional windows, or basement windows. See additional options to complete screens.	1
PreWire for Ceiling Fan	Pre-wire a light location for a future ceiling fan.	3
Ceiling Light Over Kitchen Sink	(1) Ceiling Light over Kitchen sink.	1
Kitchen Ceiling Fixture Lights I/O Std	Kitchen Lights - Low Profile Flush Mount LED Lights per Plan I/O Standard Light	1
Automatic Garage Door Opener	Garage Door Opener - Per Door	1
Additional dedicated 20 amp GFCI outlet		1

Buyer's Signature _____	Seller's Signature _____
Date _____	Date _____

Smith Douglas Communities 11/18/2022 Page 2 of 3



Smith Douglas Communities  
Home Definition Guide  
Duncans Crossing  
Lot: 000/0077

Activity	Item	Selection	Accepted
Del/Instal AppliancePkg	Appliance Package Select - All	Appliance Package Selected	11/15/2022
Deliver & Install Blinds	Blind Color	White	11/17/2022
Install Cabinets Complet	Cabinet Finish - Standard Arts	Standard-Sinclair Birch- Cafe	11/15/2022
Install Cabinets Complet	Master Bath Vanity Tops - All	Selection not Needed	11/15/2022
Install Cabinets Complet	Secondary Bath Vanity Tops-All	Selection not Needed	11/15/2022
Install Carpet	Carpet - Standard ALL	Smith Grove III Weathered Wood 719	11/15/2022
Install Laminate Tops	Kitchen Counter Tops - All	1877K-52 Autumn Carnival	11/15/2022
Install Laminate Tops	Secondary Bath Vanity Tops-All	Selection not Needed	11/15/2022
Install Marble Tops	RDJ Marble Vanity Top Lvl 1	Marle-4190 White w/Parchment w/oval bowl	11/15/2022
Paint Interior Complete	Interior Paint (Trim) - Base	SW 7008 Extra White	11/15/2022
Paint Interior Complete	Interior Paint (Walls) - Base	SW 7014 Eider White	11/15/2022
PMI install Vinyl Floor	VinyPkg-Common Areas	River Chase II Conquest 556	11/15/2022
PMI install Vinyl Floor	VinyPkg-Option Baths	River Chase II Conquest 556	11/15/2022
PMI install Vinyl Floor	VinyPkg-Owner Bath	River Chase II Conquest 556	11/15/2022
PMI install Vinyl Floor	VinyPkg-Std 2nd Bath/Laundry	River Chase II Conquest 556	11/15/2022
Stain Handrails	Hand Rail Stain - All	MW - Early American - (Base House)	11/15/2022

Buyer's Signature _____	Seller's Signature _____
Date _____	Date _____

Smith Douglas Communities 11/18/2022 Page 3 of 3

DATE	REVISION	BY	#	#	#	#	#



DETAILS  
LOT DEFINITION  
MCGINNIS

SMITH DOUGLAS HOMES  
110 VILLAGE TRAIL  
SUITE 115  
WOODSTOCK, GA 30188  
www.smithdouglas.com

SMITH DOUGLAS HOMES expressly reserves it's property rights in these plans and drawings. These plans and related drawings are not to be reproduced without written consent from SMITH DOUGLAS HOMES.

BY: CLJ	CHK: AW
DATE: 11-23-22	
FACADE OPT: C	
PLAN ID:	
FND: ALL	ELEV: C
PAGE NO: A9.1	



**CONNECTION SPECIFICATIONS (TYP. U.N.O.)**

DESCRIPTION OF BLDG. ELEMENT	3"x0.13" NAILS	3"x0.120" NAILS
JOIST TO SOLE PLATE	(3) TOENAILS	(3) TOENAILS*
SOLE PL. TO JOIST/RIM OR BLK'G STUD TO PLATE	NAILS @ 4" O.C.	NAILS @ 4" O.C.
RIM TO TOP PLATE	(4) TOENAILS/ (3) END NAILS	(4) TOENAILS/ (4) END NAILS*
BLK'G. BTWN. JOISTS TO TOP PL.	TOENAILS @ 6" O.C.	TOENAILS @ 4" O.C.*
DOUBLE STUD	(3) TOENAILS EA. END	(3) TOENAILS EA. END*
DOUBLE TOP PLATE	NAILS @ 16" O.C.	NAILS @ 16" O.C.
DOUBLE TOP PLATE LAP SPLICE (24" MIN)	(2) NAILS IN LAPPED AREA	(15) NAILS IN LAPPED AREA (24" MIN)
TOP PLATE LAP @ CORNERS & INTERSECTING WALLS	(3) NAILS	(3) NAILS
RAFTER/TRUSS TO TOP PLATE	(4) TOENAILS + (1) SIMPSON H2.5T TOENAILS @ 8" O.C.	(4) TOENAILS + (1) SIMPSON H2.5T TOENAILS @ 6" O.C.
GAB. END TRUSS TO DBL. TOP PL.	2x10 BLK EVERY 3RD BAY FASTENED TO DBL. TOP PLATE w/ TOENAILS @ 6" O.C.	2x10 BLK EVERY 3RD BAY FASTENED TO DBL. TOP PLATE w/ TOENAILS @ 4" O.C.
R.T. w/ HEEL HT. 9 1/2" TO 12"	2x12 BLK EVERY 3RD BAY FASTENED TO DBL. TOP PLATE w/ TOENAILS @ 6" O.C.	2x12 BLK EVERY 3RD BAY FASTENED TO DBL. TOP PLATE w/ TOENAILS @ 4" O.C.
R.T. w/ HEEL HT. 12" TO 16"	LAP WALL SHTG. w/ DBL. TOP PL. & INSTALL ON TRUSS VERT. - FASTEN w/ NAILS @ 6" O.C.	LAP WALL SHTG. w/ DBL. TOP PL. & INSTALL ON TRUSS VERT. - FASTEN w/ NAILS @ 6" O.C.*
R.T. w/ HEEL HT. UP TO 24"	LAP WALL SHTG. w/ DBL. TOP PL. & INSTALL ON TRUSS VERT. - FASTEN w/ NAILS @ 6" O.C. PROVIDE 2x BLK @ EA. BAY AT TOP OF HEEL	LAP WALL SHTG. w/ DBL. TOP PL. & INSTALL ON TRUSS VERT. - FASTEN w/ NAILS @ 6" O.C. PROVIDE 2x BLK @ EA. BAY AT TOP OF HEEL*
R.T. w/ HEEL HT. 24" TO 48"	WALL SHTG. LAP w/ SILL PL. & FASTENED PER SHEAR WALL FASTENING SPEC.	

\* 2 1/2"x0.13" IS AN ACCEPTABLE ALTERNATIVE TO A 3"x0.120", SAME SPACING OR NUMBER OF NAILS. (ONLY ACCEPTABLE WHERE \* ARE SHOWN)

**ADDITIONAL NOTES FOR TRUSS & I-JOIST MANUFACTURER**

ROOF TRUSSES AND ENGINEERED JOISTS SHALL BE DESIGNED TO MEET THE DEFLECTION CRITERIA BELOW, UNLESS NOTED OTHERWISE ON PLAN. MULHERN & KULP CANNOT BE HELD RESPONSIBLE FOR ANY STRUCTURAL ISSUES RELATED TO ANY BUILDING COMPONENT IF COMPONENT SHOP DRAWINGS ARE NOT SUBMITTED TO MK FOR REVIEW PRIOR TO FABRICATION, DELIVERY, OR INSTALLATION.

TRUSSES/JOISTS SHALL BE DESIGNED SO THAT DIFFERENTIAL DEFLECTION BETWEEN ADJACENT PARALLEL TRUSSES/JOISTS OR GIRDER TRUSSES/FLUSH BEAMS DO NOT EXCEED THE FOLLOWING:

A. ROOF TRUSSES:  
 1/4" DEAD LOAD

B. ATTIC TRUSSES, & I-JOISTS:  
 1/8" DEAD LOAD

ABSOLUTE DEAD LOAD DEFLECTION OF ATTIC TRUSSES WHEN ADJACENT TO FLOOR FRAMING BY OTHERS SHALL BE LIMITED TO 3/16". (NOT DIFFERENTIAL DEFLECTION)

**VENEER LINTEL SCHEDULE**

SPAN (MAX)	HEIGHT OF VENEER ABOVE LINTEL	STEEL ANGLE SIZE
3'-0"	20 FT. MAX	L3"x3"x1/4"
	3 FT. MAX	L3"x3"x1/4"
6'-0"	12 FT. MAX	L4"x3"x1/4"
	20 FT. MAX	L5"x3"x3/8"
8'-0"	3 FT. MAX	L4"x4"x1/4" *
	12 FT. MAX	L5"x3"x3/8" *
9'-6"	16 FT. MAX	L6"x3"x3/8" *
	12 FT. MAX	L6"x3"x3/8" *

ALL LINTELS:  
 - SHALL SUPPORT 2 3/4" - 3 1/2" VENEER w/ 40 psf MAXIMUM HEIGHT.  
 - @ 8" SHALL HAVE 4" MIN. BEARING  
 - @ 16" SHALL HAVE 8" MIN. BEARING  
 - @ 6" SHALL NOT BE FASTENED BACK TO HEADER.  
 - @ 16" SHALL BE FASTENED BACK TO WOOD HEADER IN WALL @ 48" O.C. w/ 1/2" DIA. x 3 1/2" LONG LAG SCREWS IN 2" LONG VERTICALLY SLOTTED HOLES.  
 - MAX. VENEER HT. APPLIES TO ANY PORTION OF BRICK OVER THE OPENING.  
 - ALL LINTELS SHALL BE LONG-LEG VERTICAL.  
 - WHEN SUPPORTING VENEER < 3" WIDE THE EXTERIOR TOE OF THE HORIZONTAL LEG MAY BE CUT IN THE FIELD TO BE 3/4" WIDE OVER THE BEARING LENGTH ONLY. THIS IS TO ALLOW FOR MORTAR JOINT FINISHING.  
 - SEE STRUCTURAL PLANS FOR ANY LINTEL CONDITION NOT ENCOMPASSED BY THE ABOVE PARAMETERS.  
 \* FOR QUEEN VENEER USE L4"x3/4".

**GENERAL STRUCTURAL NOTES**

**FOUNDATION**

- DESIGN IS BASED ON 2018 NCSEB-RESIDENTIAL CODE
- FOOTING DESIGN - 2,000 PSF NET ALLOWABLE SOIL BEARING PRESSURE IS ASSUMED. BUILDER/CONTRACTOR MUST VERIFY.
- FASTEN 2x4/6 SILL PLATES TO CONC FND WITH A MINIMUM OF 2 ANCHORS PER PLATE, 12" MAX. FROM PLATE ENDS - UTILIZING:
  - 1/2" DIA. ANCHOR BOLTS @ 6'-0" O.C., 1" MIN. EMBEDMENT
  - F44 ANCHOR STRAPS @ 6'-0" O.C.
- FASTEN 2x10 SILL PLATES TO PRECAST BSMT WALLS WITH A MINIMUM OF 2 ANCHORS PER PLATE, 12" MAX. FROM PLATE ENDS - UTILIZING:
  - 1/2" DIA. BOLTS @ 2'-0" O.C.
- ALL LUMBER EXPOSED TO WEATHER OR IN CONTACT w/ PERIMETER FOUNDATION SHALL BE PRESERVATIVE TREATED SOUTHERN PINE #2.
- BUILDER TO VERIFY CORROSION-RESISTANCE COMPATIBILITY OF HARDWARE & FASTENERS IN CONTACT w/ PRESERVATIVE-TREATED WOOD. CONTACT LUMBER & HARDWARE SUPPLIERS TO COORD.
- FOUNDATION WALLS & FOOTINGS SHALL BE PLAIN CONCRETE, U.N.O.
- CONCRETE DESIGN BASED ON ACI 318. CONCRETE SHALL ATTAIN THE FOLLOWING MIN. COMPRESSIVE STRENGTHS IN 28 DAYS, U.N.O.:
  - F<sub>c</sub> = 4,000 psi: ..... FOUNDATION WALLS
  - 3,000 psi: ..... FOOTINGS & INTERIOR SLABS ON GRADE
  - 3,500 psi: ..... GARAGE & EXTERIOR SLABS ON GRADE
  - f<sub>y</sub> = 60,000 psi
- BASEMENT FOUNDATION WALL DESIGN BASED ON:
  - 8' OR 9' HEIGHT (AS NOTED ON PLANS)
  - TALLER WALLS MUST BE ENGINEERED.
- BASEMENT WALL DESIGN IS BASED ON 30 OR 45 PCF BACKFILL SOIL TYPE CLASSIFICATIONS:
  - 30 PCF TYPE (GM, GP, SM, SP)
  - 45 PCF TYPE (GM, GC, SM, SM-SC, ML)
  - IMPORTANT - IF 60 PCF SOIL TYPE (SC, ML-CL, OR CL) IS UTILIZED FOR BACKFILL, CONTACT MULHERN & KULP FOR FURTHER EVALUATION OF FOUNDATION DESIGN.
- BASEMENT WALLS SHALL BE BRACED, PRIOR TO BACKFILLING, BY ADEQUATE TEMPORARY BRACING OR INSTALL 1st FLOOR DECK.
- ALL CONCRETE EXPOSED TO THE WEATHER SHALL NOT HAVE LESS THAN 5% OR MORE THAN 7% AIR ENTRAINMENT.
- ALL FOOTINGS SHALL BEAR BELOW FROST LINE (TYP.) OR 12" MIN IN REGIONS WHERE CODE FROST DEPTH IS NOT APPLICABLE. CONSULT SOILS REPORT OR BUILDING DEPT. FOR MINIMUM DEPTH BELOW GRADE.
- FOOTINGS AND SLABS ON GRADE SHALL BEAR ON VIRGIN SOIL OR 95% COMPACTED FILL.
- PROVIDE CONTROL JOINTS AT ALL INSIDE CORNERS OF SLAB EDGES, AND OTHER LOCATIONS WHERE SLAB CRACKS ARE LIKELY TO DEVELOP.
  - JOINTS SHALL BE LOCATED @ 10'-0" O.C. (RECOMMENDED) OR 15'-0" O.C. (MAXIMUM)
  - JOINT GRID PATTERN SHALL BE AS CLOSE TO SQUARES AS POSSIBLE (1:1 RATIO), WITH A MAXIMUM OF 1:1.5 RATIO
  - CONTROL JOINTS SHALL NOT BE INSTALLED IN STRUCTURAL SLABS
- TYPICAL REINFORCEMENT DETAILS: PROVIDE 3" MIN. CLEAR COVER WHERE CAST AGAINST EARTH, 1 1/2" MIN. CLEAR COVER AGAINST FORMS. LAP ALL REBAR 48 BAR DIAMETERS MIN. (24" FOR #4 BARS) & BEND BARS AND LAP AT CORNERS. PROVIDE 6" HOOK INTO SUPPORTING FOOTINGS WHEN FOOTINGS INTERSECT.
- DIMENSIONS BY OTHERS, BUILDER TO VERIFY.

**LEGEND**

- RT. INDICATES ROOF TRUSSES @ 24" O.C. PER ROOF. MANUF. (TYP. U.N.O.)
- OF INDICATES TRUSS OVERFRAMING @ 24" O.C. (TYP. U.N.O.)
- F.L. INDICATES 14" DEEP FLOOR I-JOISTS (24" O.C. MAX SPACING). JOIST SERIES AND SPACING SHALL BE THE RESPONSIBILITY OF THE JOIST MANUFACTURER
- D.J. INDICATES 2x8 P.T. DECK JOISTS @ 16" O.C. (MAX)
- INDICATES LOCATIONS OF POTENTIAL TILE FLOOR. JOIST MANUFACTURER SHALL DESIGN FLOOR SYSTEM FOR ADDL. 10 PSF DEAD LOAD AT THESE LOCATIONS.
- INTERIOR BEARING WALL
- BEARING WALL ABOVE (B.N.A.)
- BEAM/HEADER
- M METAL HANGER
- INDICATES POST ABOVE (P.A.) PROVIDE SOLID BLOCKING UNDER POST OR JAMB ABOVE.

**LATERAL/WALL BRACING & WALL SHEATHING SPECIFICATIONS**

THIS MODEL HAS BEEN DESIGNED TO RESIST LATERAL FORCES RESULTING FROM:  
**115 MPH WIND IN 2018 NCSEB-RC**  
 (115 MPH WIND SPEED IN ASCE 7 WIND MAP, PER IRC R301.2.1.1) EXP. B, RISK CAT. 2 & SEISMIC CAT. A/B.

THE DESIGN WAS COMPLETED PER 2015 & 2018 IBC (SECTION 1604) & ASCE 7, AS PERMITTED BY R301.1.3 OF THE 2018 NCSEB-RC & 2018 IRC. IF THE PARAMETERS OF SECTION R602.12 COMPLY. ACCORDINGLY, THIS MODEL, AS DOCUMENTED AND DETAILED HEREIN, IS ADEQUATE TO RESIST THE CODE REQUIRED LATERAL FORCES.

DESIGN WIND UPLIFT LOADS HAVE BEEN CALCULATED UTILIZING ASCE 7 (ACCEPTED ENGINEERING PRACTICE) AS ALLOWED PER 2018 NCSEB-RC & 2018 IRC SECTION R602.11.1. THIS MODEL HAS BEEN DETAILED WHERE REQUIRED & ENGINEERED TO RESIST THE WIND UPLIFT LOAD PATH PER SECTIONS R602.3.5 & R602.11.

**EXT. WALL SHEATHING SPECIFICATION**

- 7/16" OSB OR 1/2" PLYWOOD:  
 FASTEN SHEATHING w/ 2 3/8"x0.113 NAILS @ 6" O.C. AT EDGES & @ 12" O.C. IN THE PANEL FIELD. (TYP. U.N.O.)
- ALL SHEATHING PANELS SHALL BE ORIENTED VERTICALLY (LONG DIRECTION PARALLEL TO STUDS) AND INSTALLED FULL HEIGHT OF SHEAR WALL - OR - 2x HORIZONTAL BLOCKING SHALL BE PROVIDED TO SUPPORT ALL UNSUPPORTED PANEL EDGES & EDGE FASTENING.
- ALL EXT. WALLS SHALL BE CONTINUOUSLY SHEATHED AND ARE CONSIDERED SHEAR WALLS.
- ALT. STAPLE CONNECTION SPEC: 1 3/4" 16 GA STAPLES (1/8" CROWN) @ 3" O.C. AT EDGES & @ 6" O.C. IN FIELD.

**3" O.C. EDGE NAILING**

- AT DESIGNATED AREAS - FASTEN PANEL EDGES OF WOOD STRUCTURAL WALL SHEATHING TO FRAMING w/ 2 3/8" x 0.113" NAILS @ 3" O.C. AND 12" O.C. IN THE PANEL FIELD. NO STAPLE ALTERNATIVE AVAILABLE AT THIS SPEC. ALL SHEATHING PANELS SHALL BE ORIENTED VERTICALLY (LONG DIRECTION PARALLEL TO STUD) AND INSTALLED FULL HEIGHT OF SHEAR WALL - OR - 2x HORIZONTAL BLOCKING SHALL BE PROVIDED TO SUPPORT UNSUPPORTED PANEL EDGES AND 3" O.C. EDGE FASTENING.

**NOTES**

- SEE CONNECTION SPECIFICATIONS CHART FOR STANDARD SHEAR TRANSFER DETAILING. IF ADDITIONAL CAPACITY IS REQUIRED BY DESIGN, IT WILL BE SPECIFICALLY NOTED ON PLAN.
- DESIGN ASSUMES 16" O.C. MAX. STUD SPACING, U.N.O.
- ALL STRUCTURAL PANELS ARE TO BE DIRECTLY APPLIED TO STUD FRAMING.
- PRE-MANUFACTURED PANELIZED WALLS: FASTEN TOGETHER END STUDS OF WALL PANELS SHEATHED w/ OSB OR PLYWOOD w/ 3" x 0.120" NAILS @ 4" O.C. (THRU ONE SIDE ONLY)

- INDICATES EXTENT OF INT. OSB SHEARWALL, AND/OR 3" O.C. EDGE NAILING
- INDICATES HOLDOWN

**FLOOR FRAMING**

- I-JOISTS SHALL BE DESIGNED BY MANUF. TO MEET OR EXCEED L/480 LIVE LOAD DEFLECTION CRITERIA. (EXCLUDES STONE/MARBLE OR WET BED CONSTRUCTED FLOORS - CONTACT MK FOR EXCLUDED FLOOR DESIGNS)
- PER THE GUIDELINES OF THE TILE COUNCIL OF NORTH AMERICA (TCNA HANDBOOK), IT SHALL BE THE FLOOR FINISH INSTALLER'S RESPONSIBILITY TO VERIFY THAT THE FINISHES TO BE INSTALLED MATCH THE DESIGN CRITERIA NOTED ABOVE (UNDER 'DESIGN LOADS').
- FLOOR SYSTEMS & SHEATHING HAVE BEEN DESIGNED TO SUPPORT ADDITIONAL DEAD LOAD FROM CERAMIC TILE (EXCLUDING MARBLE OR STONE). HOWEVER, IT SHALL BE THE FLOOR FINISH INSTALLER'S RESPONSIBILITY TO PROVIDE PROPER UNDERLAYMENT, UNCOUPLING MEMBRANE AND MORTAR/GROUT PER THE ASSEMBLY DESIGNATIONS IN THE TCNA HANDBOOK (TILE COUNCIL OF NORTH AMERICA).
- AT I-JOIST FLOORS, PROVIDE 1" MIN. OSB RIM BOARD.
- METAL HANGERS SHALL BE SPECIFIED BY MANUFACTURER, U.N.O.
- I-JOIST SHOP DWGS. SHALL BE SUBMITTED TO ARCH. & ENG. FOR REVIEW AND APPROVAL PRIOR TO FABRICATION OR DELIVERY.
- FLOOR SHEATHING SHALL BE 23/32" A.P.A. RATED 'STURD-I-FLOOR' 24" O.C. EXPOSURE 1 (OR APPROVED EQUAL) WITH TONGUE AND GROOVE EDGES. FASTEN TO FRAMING MEMBERS w/ GLUE AND:
  - 2 1/2" x 0.131" NAILS @ 6" O.C. @ PANEL EDGES @ 12" O.C. FIELD.
  - 2 3/8" x 0.120" NAILS @ 4" O.C. @ PANEL EDGES @ 6" O.C. FIELD.
  - 2 3/8" x 0.113" NAILS @ 3" O.C. @ PANEL EDGES @ 6" O.C. IN FIELD.

**ROOF FRAMING**

- ROOF SHEATHING SHALL BE 7/16" A.P.A. RATED SHEATHING 24/16 EXPOSURE 1 (OR APPROVED EQUAL). FASTEN TO FRAMING MEMBERS:
  - w/ 2 1/2" x 0.131" NAILS @ 6" O.C. @ PANEL EDGES @ 12" O.C. FIELD.
  - w/ 2 3/8" x 0.120" NAILS @ 4" O.C. @ PANEL EDGES @ 6" O.C. FIELD.
  - w/ 2 3/8" x 0.113" NAILS @ 3" O.C. @ PANEL EDGES @ 6" O.C. FIELD.
- WITHIN 48" OF ALL ROOF EDGES, RIDGES, & HIPPS FASTEN ROOF SHEATHING FIELDS PER EDGE NAILING SPEC.
- FASTEN EACH ROOF TRUSS TO TOP PLATE w/ USP RT1A CLIP (OR APPROVED EQUAL) @ ALL BEARING POINTS. PROVIDE (2) RT1A CLIPS AT 2-PLY GIRDER TRUSSES, (3) RT1A CLIPS AT 3-PLY GIRDER TRUSSES & ROOF BEAMS - AT ALL BEARING POINTS.
- METAL HANGERS SHALL BE SPECIFIED BY THE MANUFACTURER, U.N.O.
- ROOF TRUSS SHOP DWGS. SHALL BE SUBMITTED TO ARCH & ENG. FOR REVIEW AND APPROVAL PRIOR TO FABRICATION OR DELIVERY.
- ERECT AND INSTALL ROOF TRUSSES PER ITCA & ITPI'S BC01 I \*GUIDE TO GOOD PRACTICE FOR HANDLING, INSTALLING & BRACING OF METAL PLATE CONNECTED WOOD TRUSSES.\*
- SUPPORT SHORT SPAN ROOF TRUSSES w/ 2x4 LEDGER FASTENED TO FRAMING w/ (2) 3" x 0.120" NAILS @ 16" O.C. (UP TO 1" SPAN).

**MEANS & METHODS NOTES**

THE STRUCTURE IS DESIGNED TO BE SELF SUPPORTING AND STABLE AFTER THE BUILDING IS FINISHED AND ALL PLAN, DETAIL, AND NOTE SPECIFICATIONS HAVE BEEN COMPLETED. IT IS THE CONTRACTOR'S SOLE RESPONSIBILITY TO DETERMINE THE ERECTION PROCEDURES AND SEQUENCE TO INSURE THE SAFETY OF THE BUILDING AND ITS COMPONENTS DURING CONSTRUCTION. THIS INCLUDES, BUT IS NOT LIMITED TO, THE ADDITION OF NECESSARY SHORING, SHEETING, TEMPORARY BRACING, GUYS, AND TIE-DOWNS. CONTRACTOR SHALL BE RESPONSIBLE FOR ALL SHORING AND BRACING REQUIRED TO STABILIZE AND PROTECT EXISTING AND ADJACENT STRUCTURES AND SYSTEMS DURING COURSE OF DEMOLITION AND CONSTRUCTION OF THE PROJECT.

STRUCTURAL DESIGN AND SPECIFICATIONS ASSUME THAT ALL SUPPORTING AND NON-SUPPORTING ELEMENTS IN CONTACT WITH FLOOR FRAMING ARE LEVEL, INCLUDING, BUT NOT LIMITED TO; FOUNDATIONS, SLABS ON GRADE, BEAMS, WALLS, AND NON-BEARING ELEMENTS. IT IS THE CONTRACTOR'S RESPONSIBILITY TO VERIFY LEVELNESS AND MAKE ADJUSTMENTS AS NECESSARY, INCLUDING CONSIDERATION OF THOSE AREAS THAT MAY BE WITHIN CONTRACTUAL, INDUSTRY, OR WARRANTY TOLERANCES.

**GENERAL STRUCTURAL NOTES**

- DESIGN IS BASED ON 2018 NCSEB-RESIDENTIAL CODE
- WOOD FRAME ENGINEERING IS BASED ON NDS, "NATIONAL DESIGN SPECIFICATION FOR WOOD CONSTRUCTION" - LATEST EDITION.
- DESIGN LOADS:  
 ROOF: LIVE = 20 PSF  
 DEAD = 7 PSF T.C., 10 PSF B.C.  
 LOAD DURATION FACTOR = 1.25
- FLOOR: LIVE = 40 PSF (30 PSF @ SLEEPING AREAS)  
 DEAD = 10 PSF (I-JOISTS)
- ADDL. 10 PSF @ CERAMIC TILE IN BATHS & LAUND.
- SOIL: 2,000 PSF ASSUMED ALLOWABLE BEARING PRESSURE (TO BE VERIFIED BY BUILDER)

**GENERAL FRAMING**

- ALL TYP. NAIL FASTENER REQUIREMENTS ARE NOTED IN STANDARD CONNECTIONS TABLE (IRC TABLE R602.3.11) OR ON PLANS. ALL NAILS SPECIFIED ARE MIN DIAMETER AND LENGTH REQUIRED FOR CONNECTION. ALL HANGER NAILS SHALL BE INSTALLED PER MANUFACTURER'S REQUIREMENTS FOR MAX CHARTED CAPACITY. NOTE: HANGERS USE COMMON NAIL DIAMETERS NOT TYPICAL FRAMING GUN NAILS.
- EXT. & INT. BEARING WALLS SHALL BE 2x4 OR 2x6 (AS SHOWN ON PLANS) @ 16" O.C. SPF/SP \*STUD\* GRADE LUMBER, OR BETTER, U.N.O.
  - WALLS OVER 12' TALL SHALL BE PER PLAN.
- ALL INTERIOR BEARING WALLS ARE ASSUMED TO BE SHEATHED w/ GYP WALL BOARD (ONE SIDE MIN.) OR PROVIDE MID HT. BLOCKING.
- ALL HEADERS, BEAMS & OTHER STRUCTURAL MEMBERS SHALL BE SPRUCE-PINE-FIR #2 (SPF) OR SOUTHERN PINE #2 (SP) LUMBER, OR BETTER. SUPPORT ALL HEADERS/ BEAMS w/ (1)2x JACK STUD & (1)2x KING STUD, MINIMUM:
  - THE NUMBER OF STUDS SPECIFIED AT A SUPPORT INDICATES THE NUMBER OF JACK STUDS REQUIRED, U.N.O.
- ALL NON-BEARING INTERIOR STUD WALLS SHALL BE CONSTRUCTED WITH 2x STUD\* GRADE MEMBERS SPACED @ 24" O.C. (MAX, U.N.O.)
  - HEADERS IN NON-LOAD BEARING WALLS SHALL BE: (1)2x4/6 FLAT @ OPENINGS UP TO 4'; (2)2x4/6 FLAT UP TO 8'.
- ALL FRAMING LUMBER SHALL BE DRIED TO 15% MC (KD-15).
- ENGINEERED LUMBER BEAMS TO MEET OR EXCEED THE FOLLOWING:
  - LVL - Fb=2600 psi; Fv=285 psi; E=2.0x10<sup>6</sup> psi
- ENGINEERED LUMBER POSTS TO MEET OR EXCEED THE FOLLOWING:
  - LVL - Fb=2400 psi; FcII=2500 psi; E=1.8x10<sup>6</sup> psi
- FOR 2 & 3 PLY BEAMS OF EQUAL 1 3/4" MAX. WIDTH, FASTEN PLYS TOGETHER WITH 3 ROWS OF 3"x0.120" NAILS @ 24" O.C. OR 2 ROWS USP W635 SCREWS (OR 3/8" TRUSSLOK SCREWS) @ 16" O.C. USE A MINIMUM OF 4 ROWS FOR BEAM DEPTHS OF 14" OR GREATER. APPLY FASTENING AT BOTH FACES FOR 3-PLY CONDITION. LOCATE TOP & BOTTOM NAILS/SCREWS 2" FROM EDGE. SOLID 3 1/2" OR 5 1/4" BEAMS ARE ACCEPTABLE. USE 2 ROWS OF NAILS FOR 2x6 & 2x8 MEMBERS.
- FOR 4 PLY BEAMS OF EQUAL 1 3/4" MAX. WIDTH, FASTEN PLYS TOGETHER WITH 3 ROWS OF USP W66 SCREWS (OR 6 3/4" TRUSSLOK SCREWS) @ 16" O.C. USE A MINIMUM OF 4 ROWS FOR BEAM DEPTHS OF 14" OR GREATER. APPLY FASTENING AT BOTH FACES (ONE SIDE ONLY FOR TRUSSLOK SCREWS). LOCATE TOP AND BOTTOM SCREWS 2" FROM EDGE. A SOLID 1" BEAM IS ACCEPTABLE.
- PROVIDE SOLID BLOCKING IN FLOOR SYSTEM UNDER ALL POSTS CONTINUOUS TO FND/BEARING. BLOCKING TO MATCH POST ABOVE.
- ALL EXTERIOR 4x4 WOOD POSTS SHALL HAVE USP BC522-4-CAP & PA44E BASE, U.N.O.

**MULHERN+KULP**  
 RESIDENTIAL STRUCTURAL ENGINEERING  
 3025 Dunwoody Parkway, Suite 305 - Alpharetta, GA 30022  
 770-777-8874 - mulhern@mulhernkulp.com  
 NC License # C-3825

Mulhern+Kulp project number:  
**256-21009**

project mgr: **SMK**  
 drawn by: **MJF**  
 issue date: **10-26-2021**

REVISIONS:  
 date: initial:  
 11/22/21 JPP  
 (REVISIONS PLANS ADDED)

**SMITH DOUGLAS HOMES**

**GENERAL STRUCTURAL NOTES**

**MCGINNIS MODEL**

**RALEIGH, NC**

**Duncans Crossing Lot 77**

Mulhern+Kulp project number:  
**256-21009**

project mgr: **SMK**  
 drawn by: **MJF**  
 issue date: **10-26-2021**

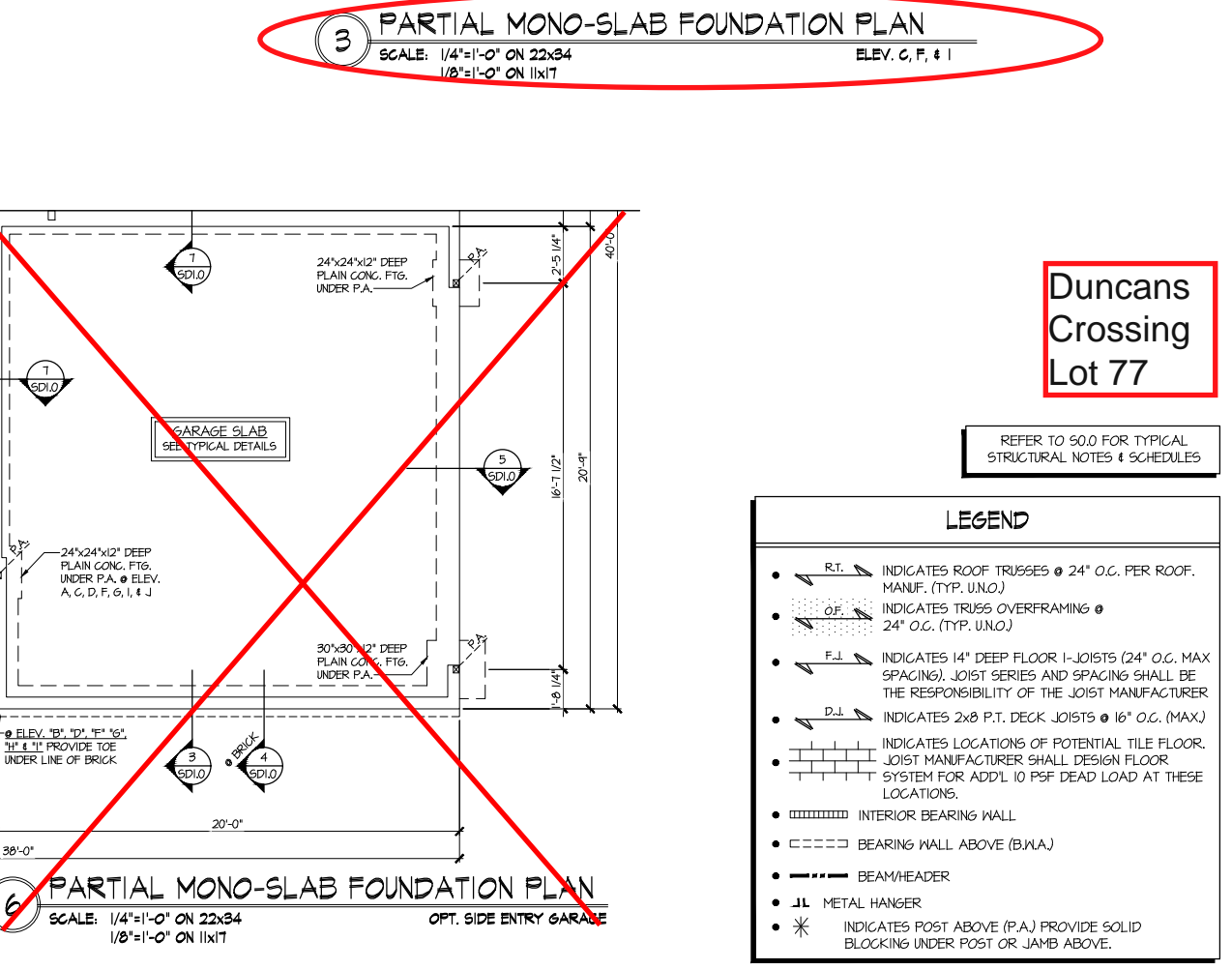
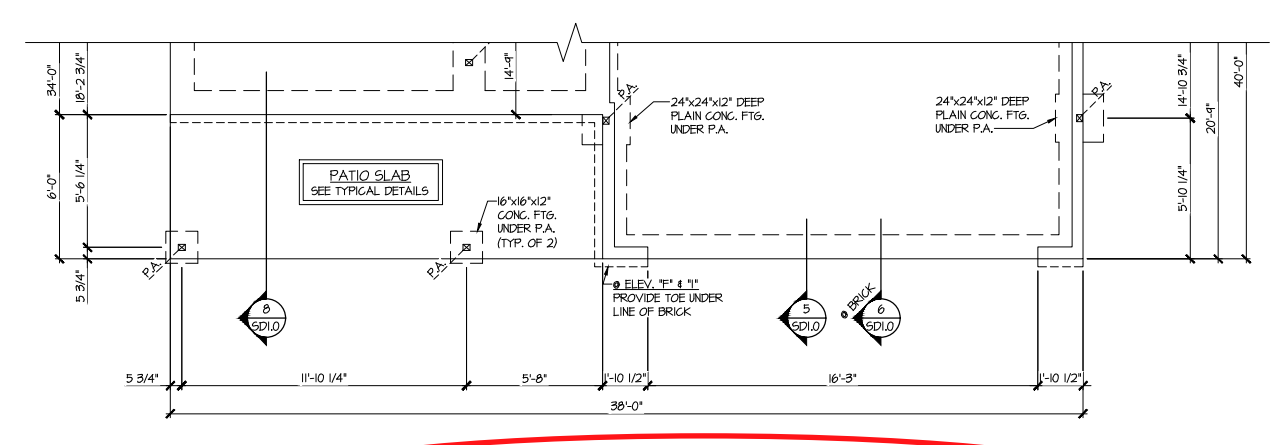
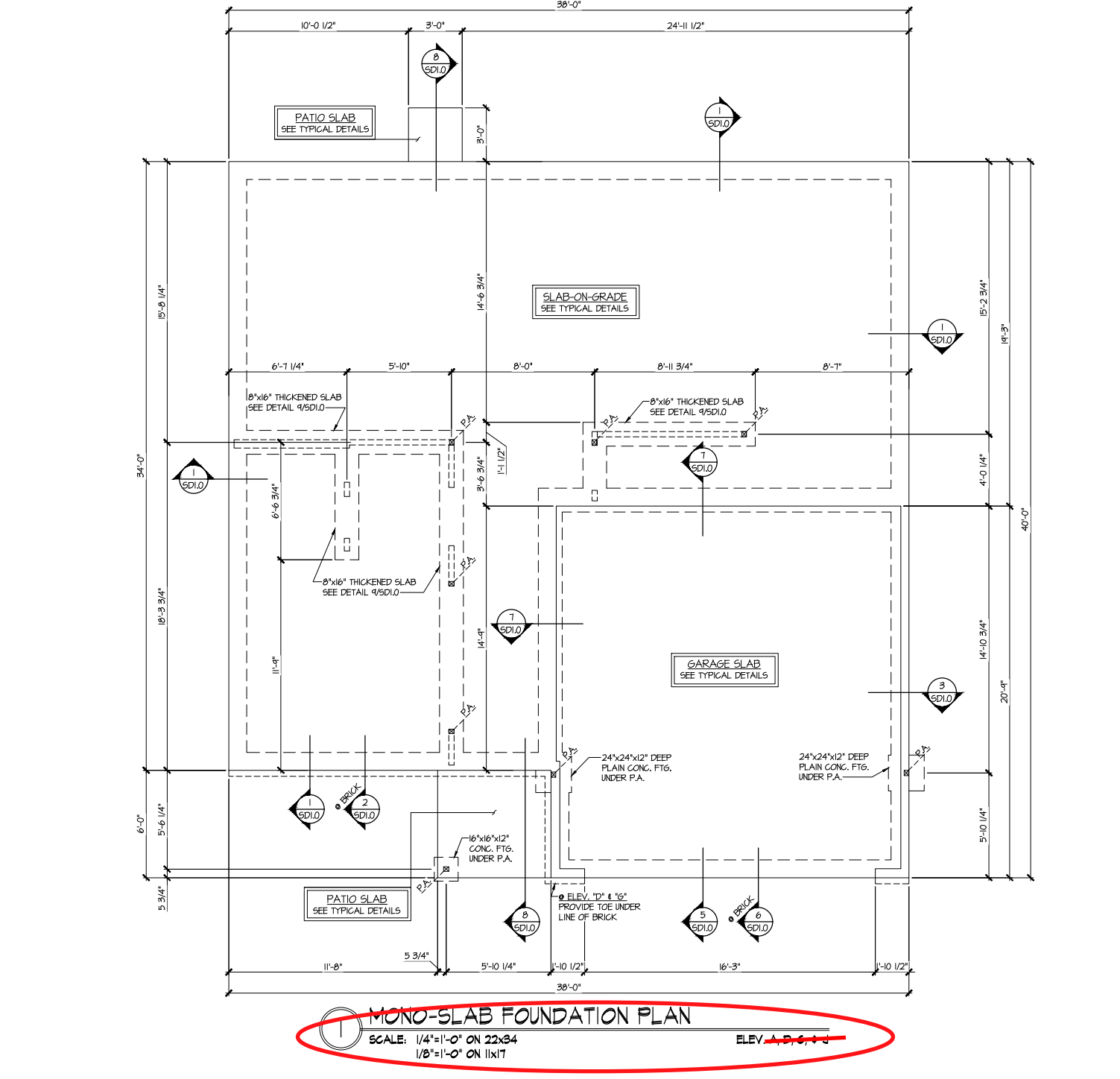
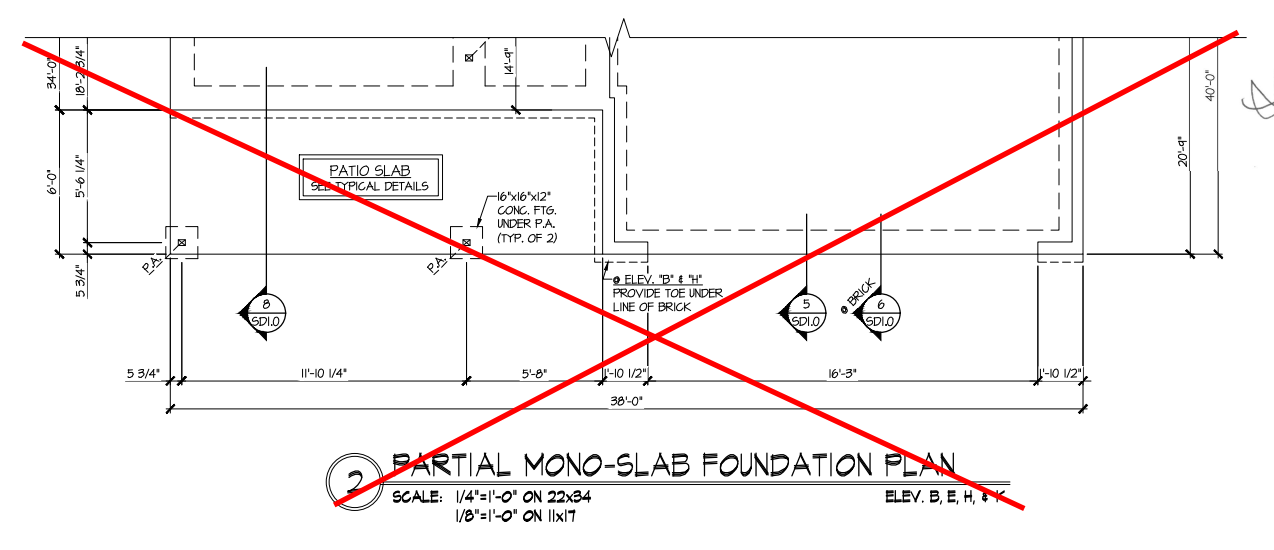
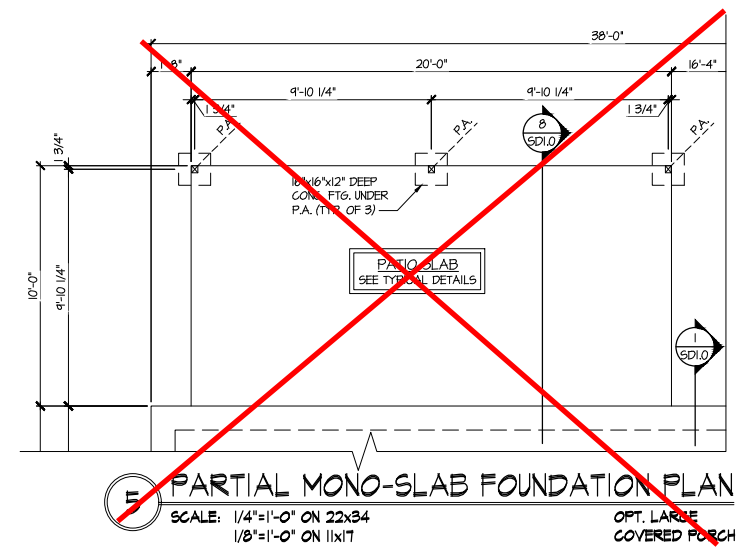
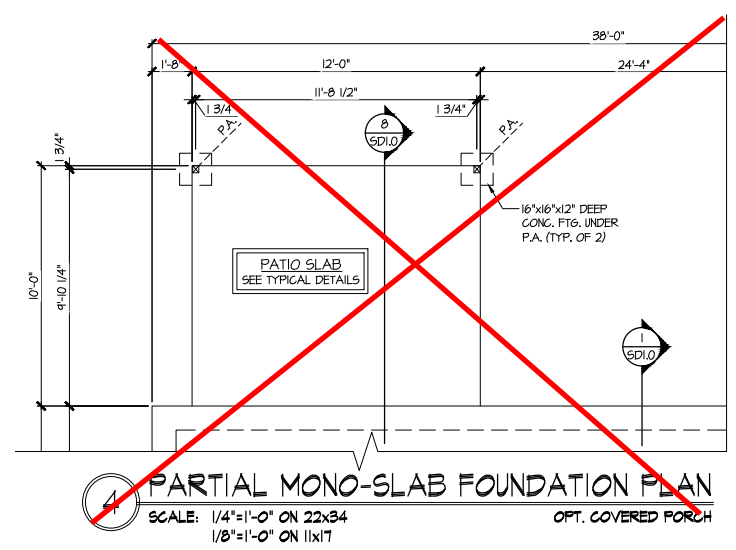
REVISIONS:

date:	initial:
11/22/21	JPP
REVISIONS ADDED	

SMITH DOUGLAS  
 HOMES

MONO-SLAB FOUNDATION  
 MCGINNIS MODEL  
 RALEIGH, NC

sheet:  
**S1.0**

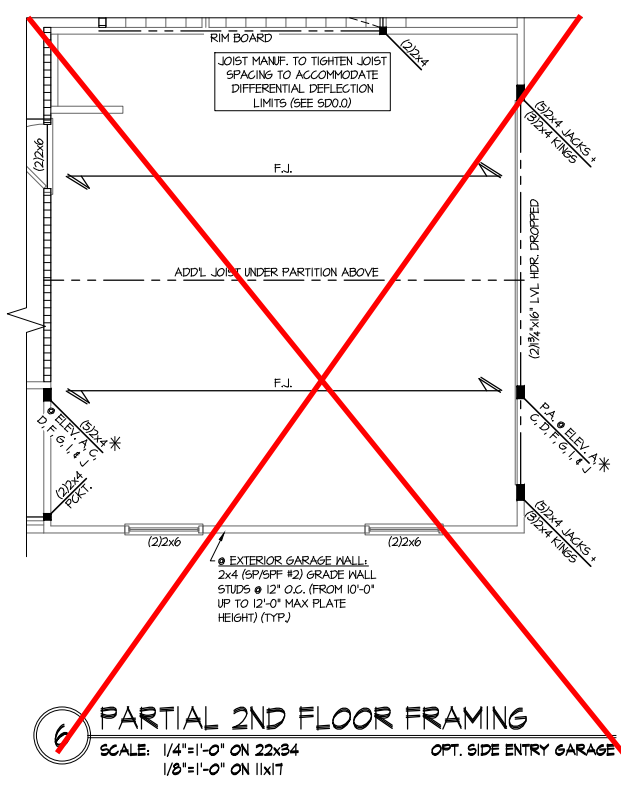
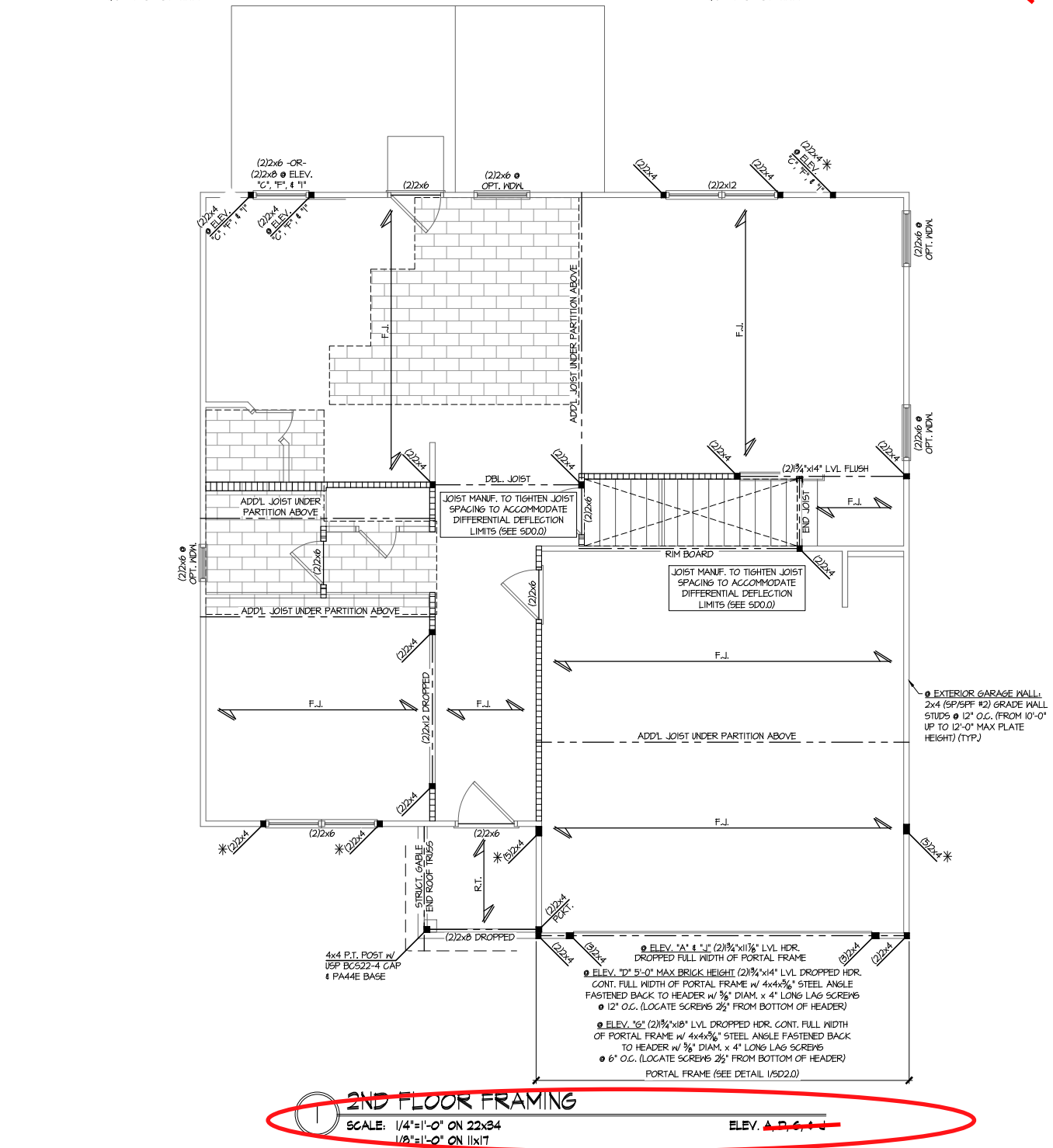
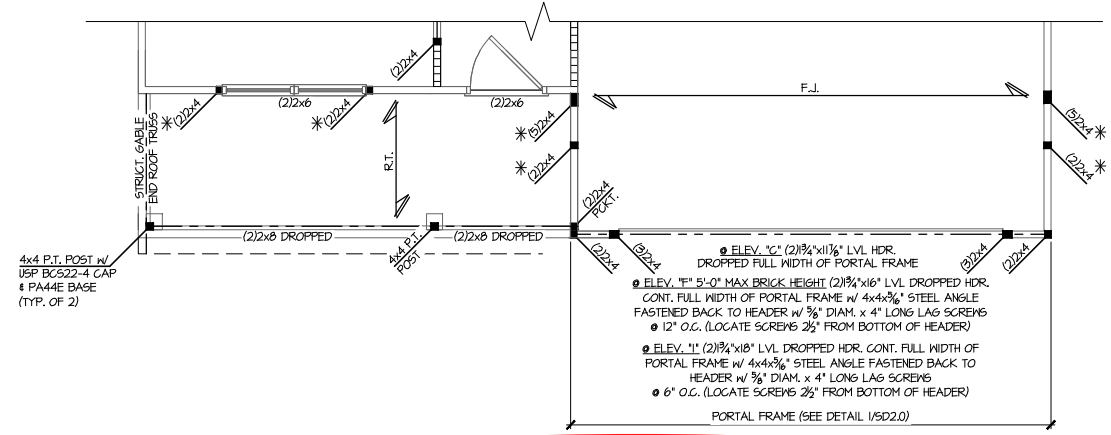
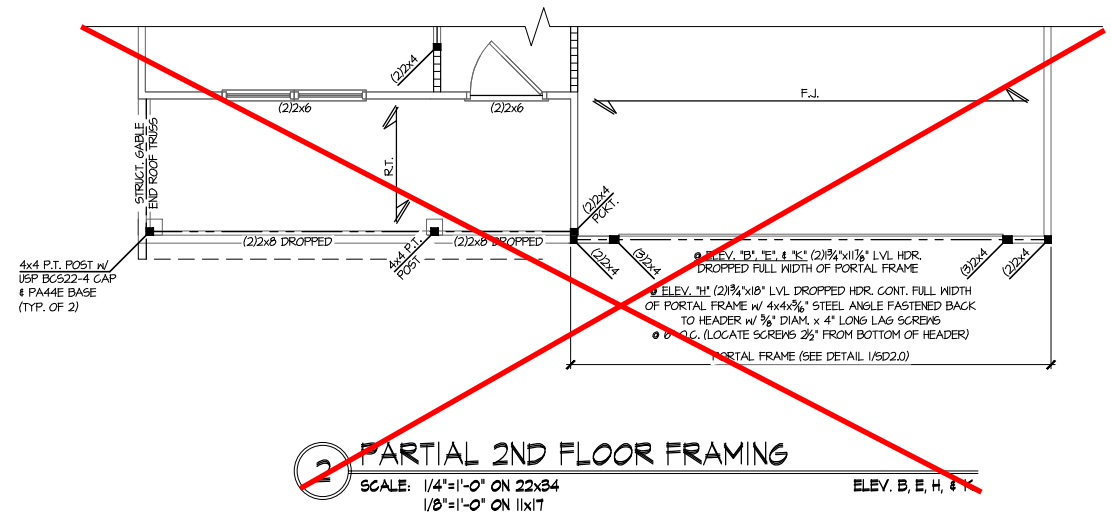
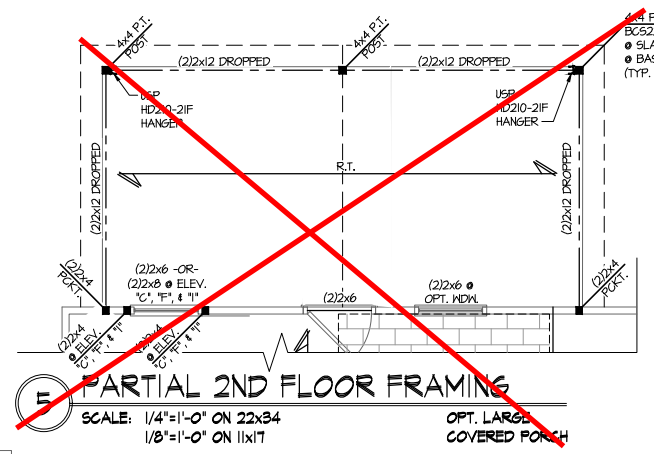
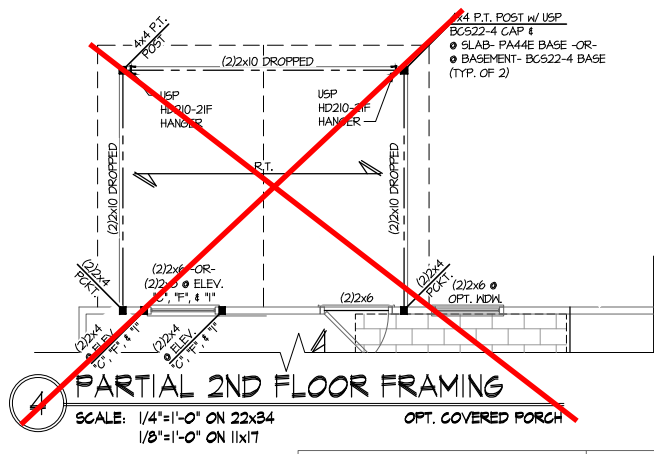


REFER TO S0.0 FOR TYPICAL STRUCTURAL NOTES & SCHEDULES

**LEGEND**

- R.T. INDICATES ROOF TRUSSES @ 24" O.C. PER ROOF. MANUF. (TYP. UNO.)
- O.F. INDICATES TRUSS OVERFRAMING @ 24" O.C. (TYP. UNO.)
- F.J. INDICATES 14" DEEP FLOOR I-JOISTS (24" O.C. MAX SPACING). JOIST SERIES AND SPACING SHALL BE THE RESPONSIBILITY OF THE JOIST MANUFACTURER
- D.J. INDICATES 2x8 P.T. DECK JOISTS @ 16" O.C. (MAX)
- [Symbol] INDICATES LOCATIONS OF POTENTIAL TILE FLOOR. JOIST MANUFACTURER SHALL DESIGN FLOOR SYSTEM FOR ADD'L 10 PSF DEAD LOAD AT THESE LOCATIONS.
- [Symbol] INTERIOR BEARING WALL
- [Symbol] BEARING WALL ABOVE (B.W.A.)
- [Symbol] BEAM/HEADER
- [Symbol] METAL HANGER
- \* INDICATES POST ABOVE (P.A.) PROVIDE SOLID BLOCKING UNDER POST OR JAMB ABOVE.





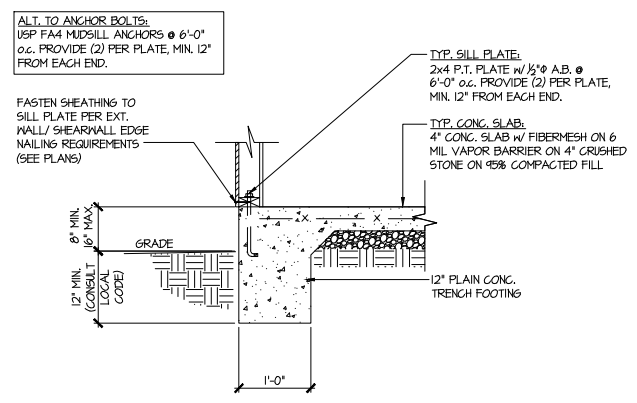
**Duncans Crossing  
 Lot 77**

REFER TO S.O. FOR TYPICAL  
 STRUCTURAL NOTES & SCHEDULES  
 THIS LEVEL HAS BEEN DESIGNED  
 FOR 9'-1" PLATE HEIGHT

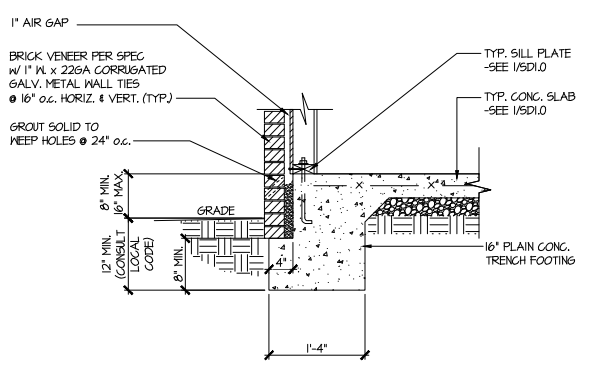
**LEGEND**

- R.T. INDICATES ROOF TRUSSES @ 24" O.C. PER ROOF. MANUF. (TYP. UNO.)
- O.F. INDICATES TRUSS OVERFRAMING @ 24" O.C. (TYP. UNO.)
- F.J. INDICATES 14" DEEP FLOOR I-JOISTS (24" O.C. MAX SPACING). JOIST SERIES AND SPACING SHALL BE THE RESPONSIBILITY OF THE JOIST MANUFACTURER
- D.J. INDICATES 2x8 P.T. DECK JOISTS @ 16" O.C. (MAX)
- [Symbol] INDICATES LOCATIONS OF POTENTIAL TILE FLOOR. JOIST MANUFACTURER SHALL DESIGN FLOOR SYSTEM FOR ADD'L 10 PSF DEAD LOAD AT THESE LOCATIONS.
- [Symbol] INTERIOR BEARING WALL
- [Symbol] BEARING WALL ABOVE (B.W.A.)
- [Symbol] BEAM/HEADER
- [Symbol] METAL HANGER
- \* INDICATES POST ABOVE (P.A.) PROVIDE SOLID BLOCKING UNDER POST OR JAMB ABOVE.

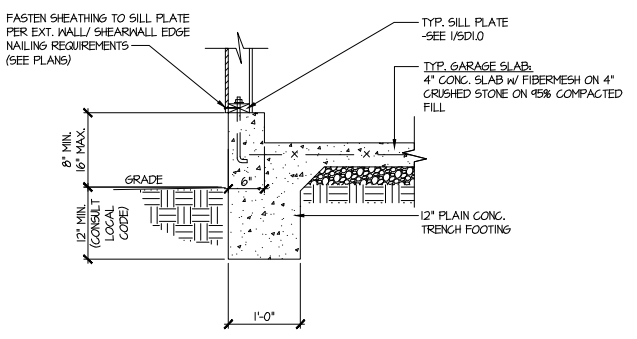




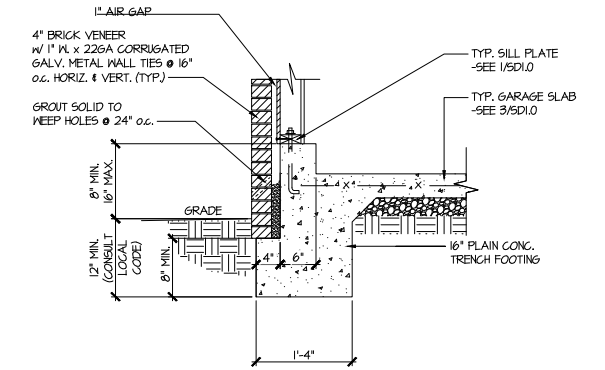
1 TYPICAL SLAB ON GRADE PERIMETER FOOTING



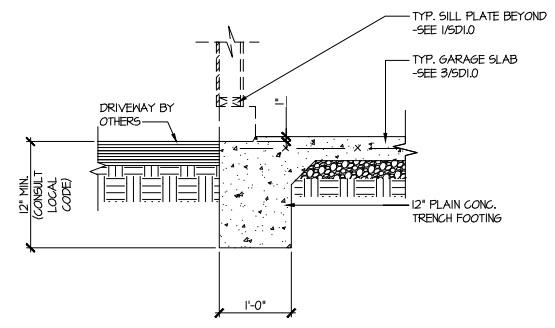
2 TYPICAL SLAB ON GRADE PERIMETER FOOTING w/ BRICK VENEER



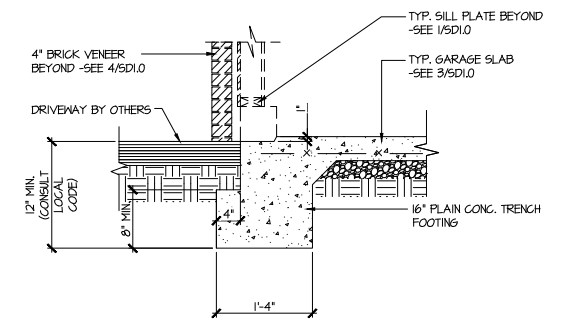
3 TYPICAL SLAB ON GRADE GARAGE PERIMETER FOOTING



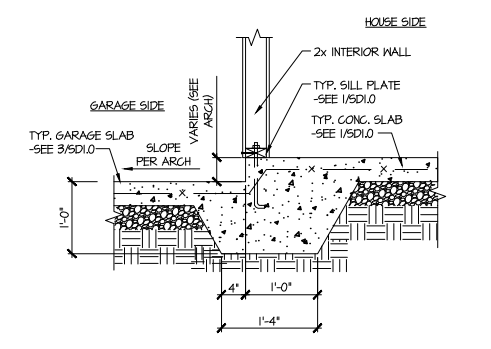
4 TYPICAL SLAB ON GRADE GARAGE PERIMETER FOOTING w/ BRICK VENEER



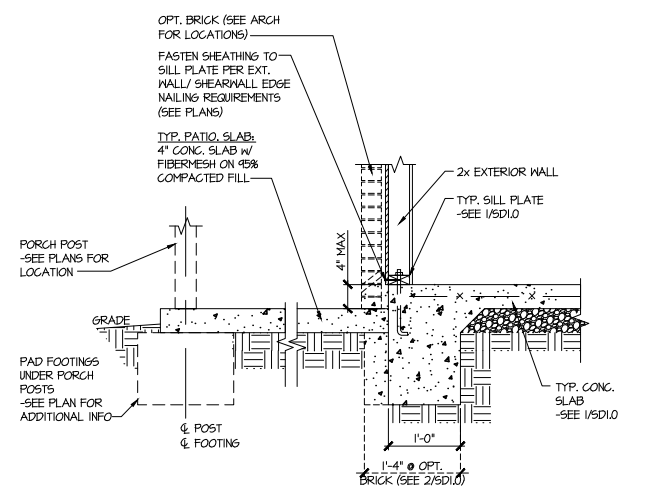
5 TYPICAL SLAB ON GRADE GARAGE ENTRY @ PERIMETER FOOTING



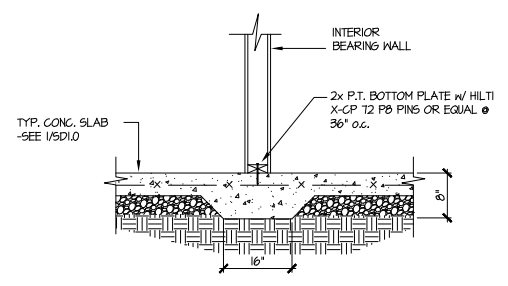
6 TYPICAL SLAB ON GRADE GARAGE ENTRY @ PERIMETER FOOTING w/ BRICK VENEER



7 TYPICAL MONOLITHIC INTERIOR GARAGE FOOTING



8 TYPICAL SLAB ON GRADE PERIMETER FOOTING @ PORCH/PATIO



9 TYPICAL THICKENED SLAB @ INTERIOR BEARING WALL

**MULHERN+KULP**  
 RESIDENTIAL STRUCTURAL ENGINEERING  
 3825 Shawhokee Parkway, Suite 105 - Alpharetta, GA 30022  
 770-777-8974 - mulhern+kulp.com  
 NC License # C-3825

Mulhern+Kulp project number:  
 256-21009

project mgr: SMK  
 drawn by: MJF  
 issue date: 10-26-2021

REVISIONS:

date:	initial:
11/22/21	JPP
PROPOSED PLANS ADDED	

SMITH DOUGLAS  
 HOMES

FOUNDATION DETAILS  
 MCGINNIS MODEL  
 RALEIGH, NC

Duncans  
 Crossing  
 Lot 77

sheet:  
**SD1.0**

Mulhern+Kulp project number:  
**256-21009**

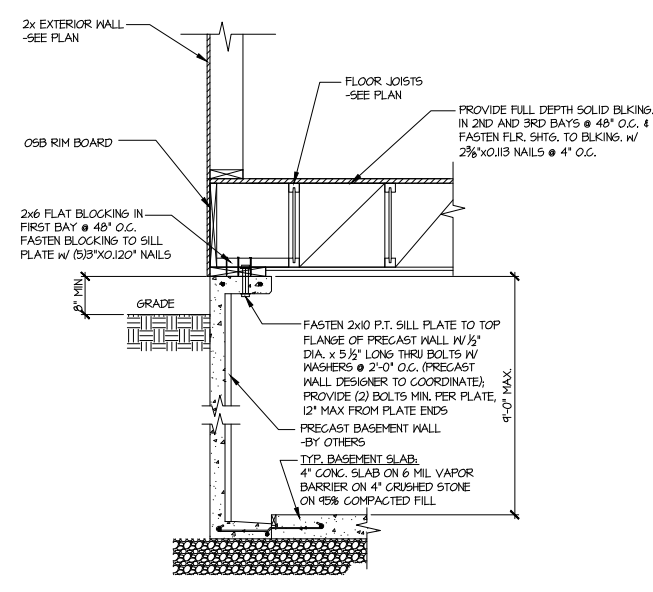
project mgr: **SMK**  
 drawn by: **MJF**  
 issue date: **10-26-2021**

REVISIONS:

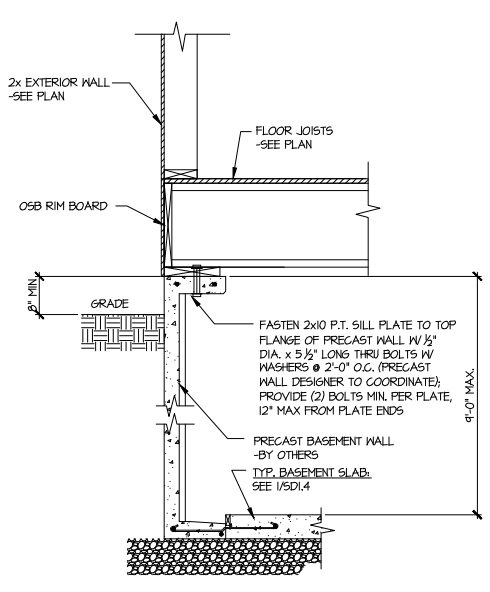
date:	initial:
11/22/21	JPP
UNRECORDED PLANS ADDED	

SMITH DOUGLAS  
 HOMES

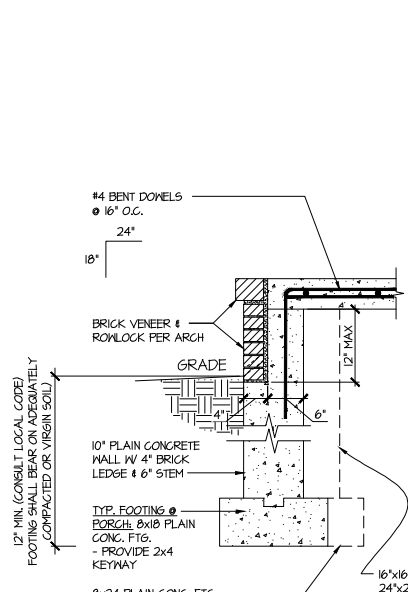
FOUNDATION DETAILS  
 MCGINNIS MODEL  
 RALEIGH, NC



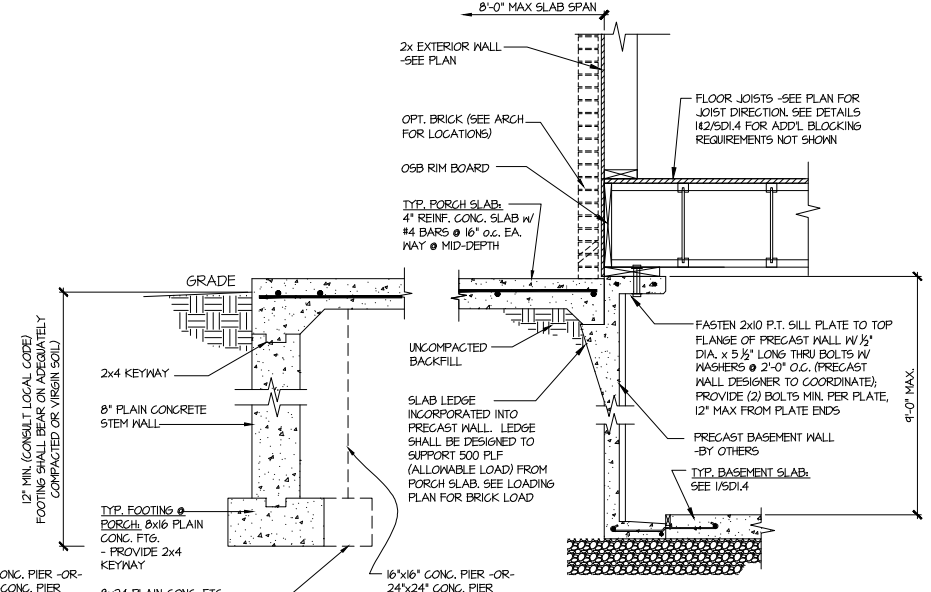
**1 SECTION**  
 SCALE: 3/4"=1'-0"



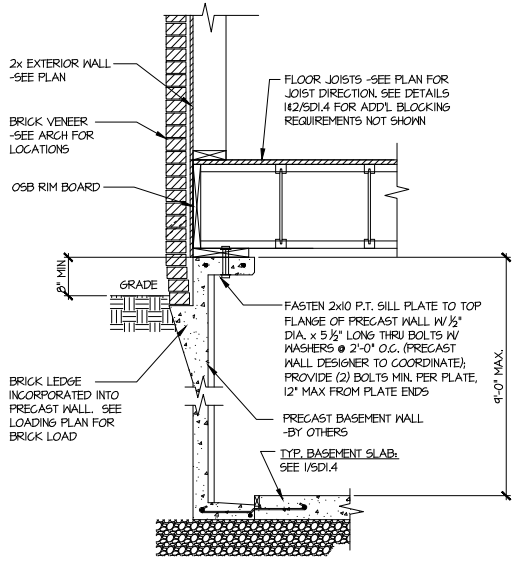
**1A SECTION**  
 SCALE: 3/4"=1'-0"



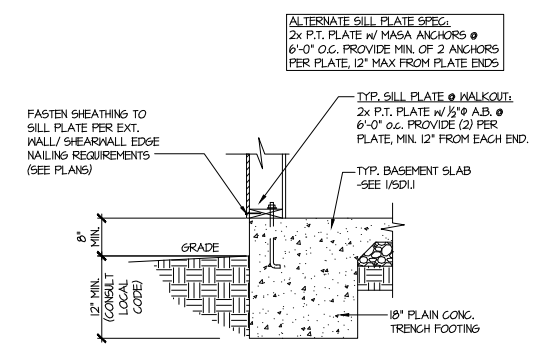
**3 SECTION**  
 SCALE: 3/4"=1'-0"



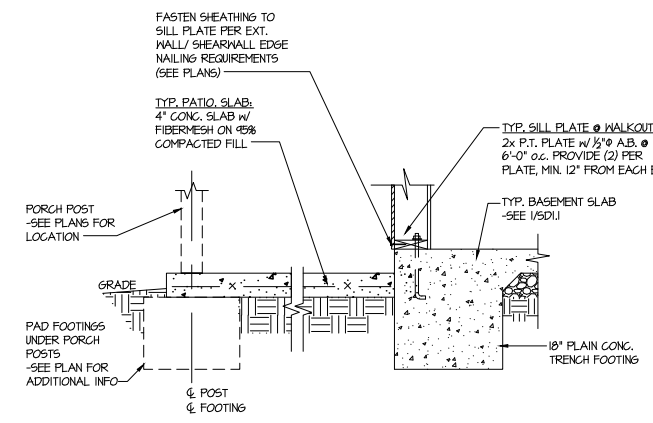
**3 SECTION**  
 SCALE: 3/4"=1'-0"



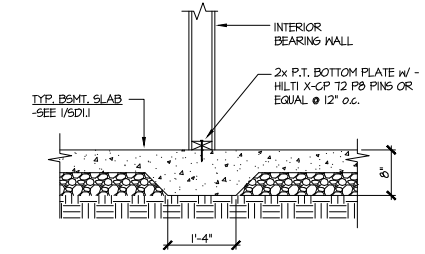
**2 SECTION**  
 SCALE: 3/4"=1'-0"



**4 TYPICAL BASEMENT FOUNDATION @ WALKOUT**



**5 TYPICAL BASEMENT FOUNDATION @ WALKOUT**



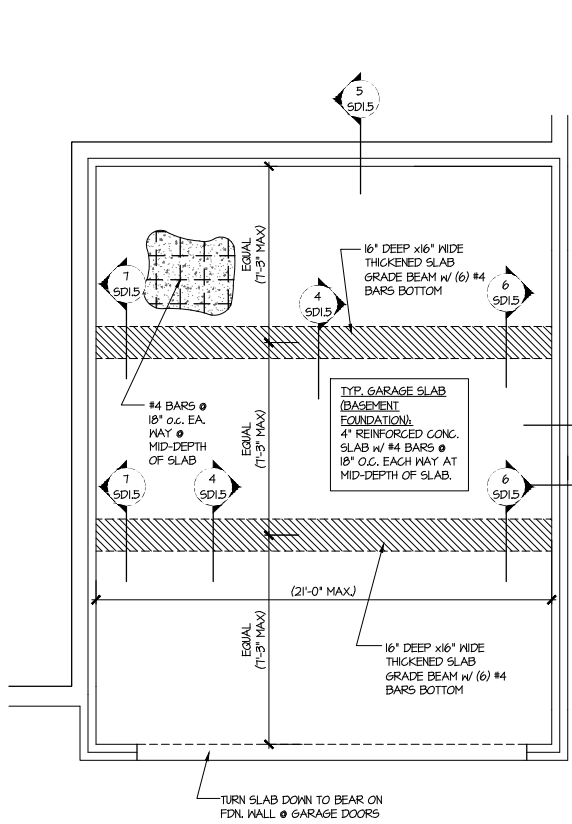
**6 TYPICAL THICKENED SLAB @ INTERIOR BEARING WALL**

Duncans  
 Crossing  
 Lot 77

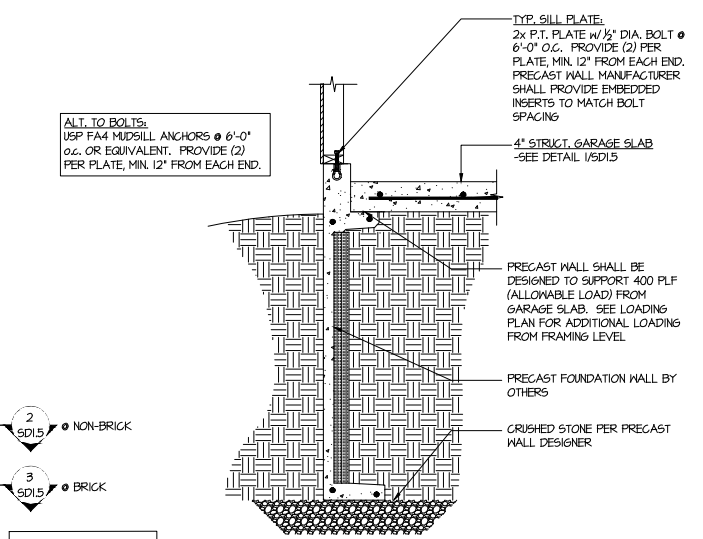
sheet:  
**SD1.4**



Duncans  
 Crossing  
 Lot 77

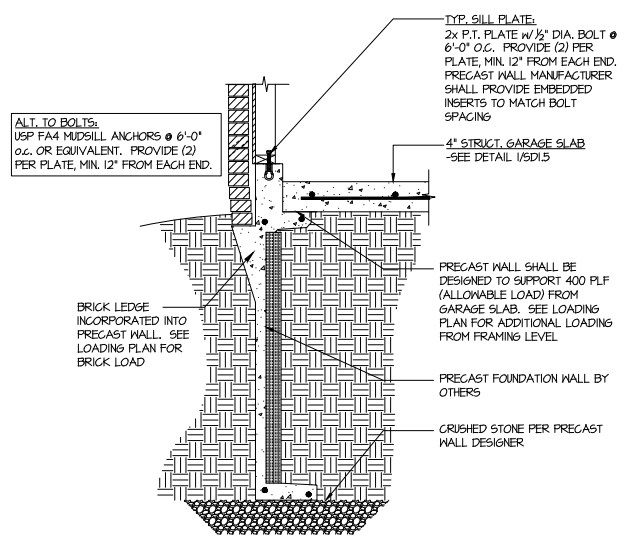


**1** GENERIC FOUNDATION PLAN KEY @ GARAGE  
 SCALE: 1/4"=1'-0"

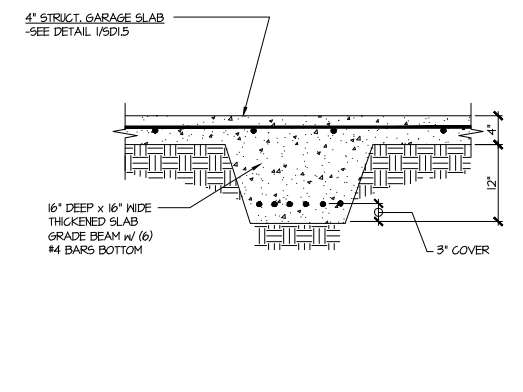


**2** TYPICAL PERIMETER FOOTING @ GARAGE - BASEMENT FOUNDATION  
 2 SD1.5 @ NON-BRICK  
 3 SD1.5 @ BRICK

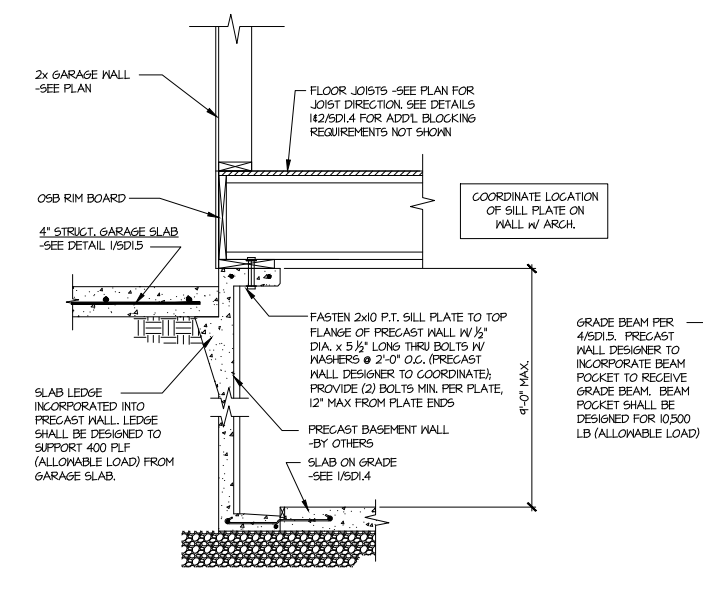
SLAB THICKNESS SHOWN IS MIN. THICKNESS REQ'D - SLOPE OF SLAB SHALL NOT COMPROMISE MIN. THICKNESS  
 SEE ARCHITECTURAL PLANS FOR ACTUAL GARAGE DIMENSIONS



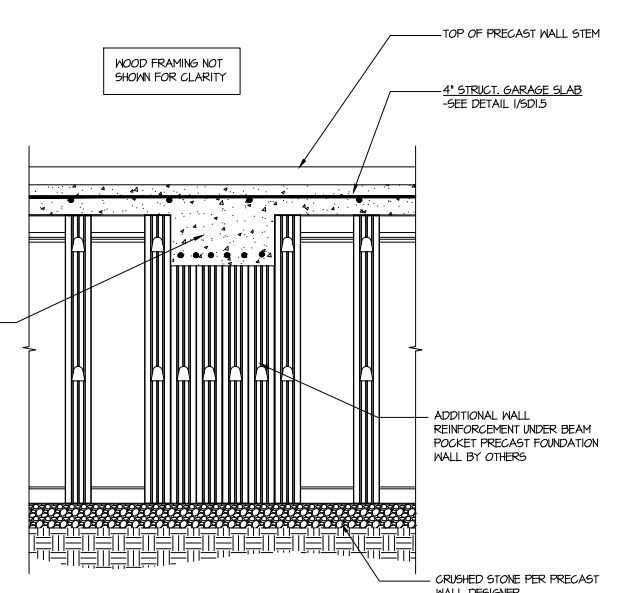
**3** TYPICAL PERIMETER FOOTING @ GARAGE - BASEMENT FOUNDATION (BRICK)  
 3 SD1.5



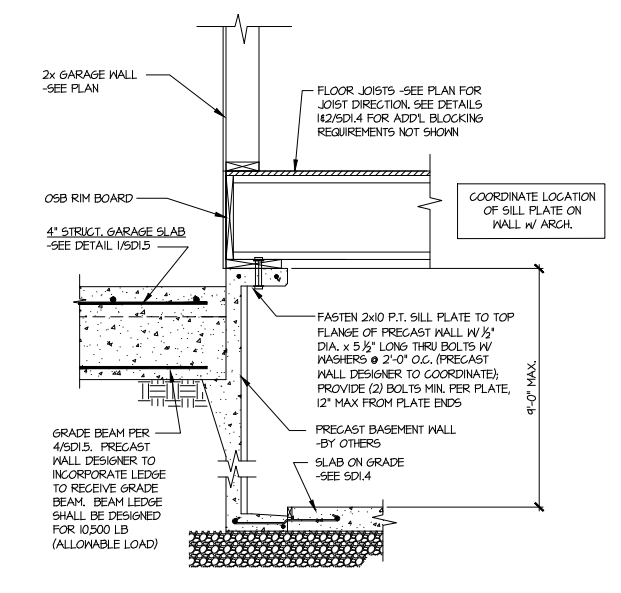
**4** TYPICAL CONCRETE GRADE BEAM @ GARAGE FDN.  
 SCALE: 3/4"=1'-0"



**5** CONCRETE BSMT. FDN. WALL @ GARAGE  
 5 SD1.5



**6** SECTION  
 SCALE: 3/4"=1'-0"



**7** SECTION  
 SCALE: 3/4"=1'-0"

**MULHERN+KULP**  
 RESIDENTIAL STRUCTURAL ENGINEERING  
 3825 Stonehenge Parkway, Suite 105 - Alpharetta, GA 30022  
 770-777-8974 - mulhern+kulp.com



NC License # C-3825

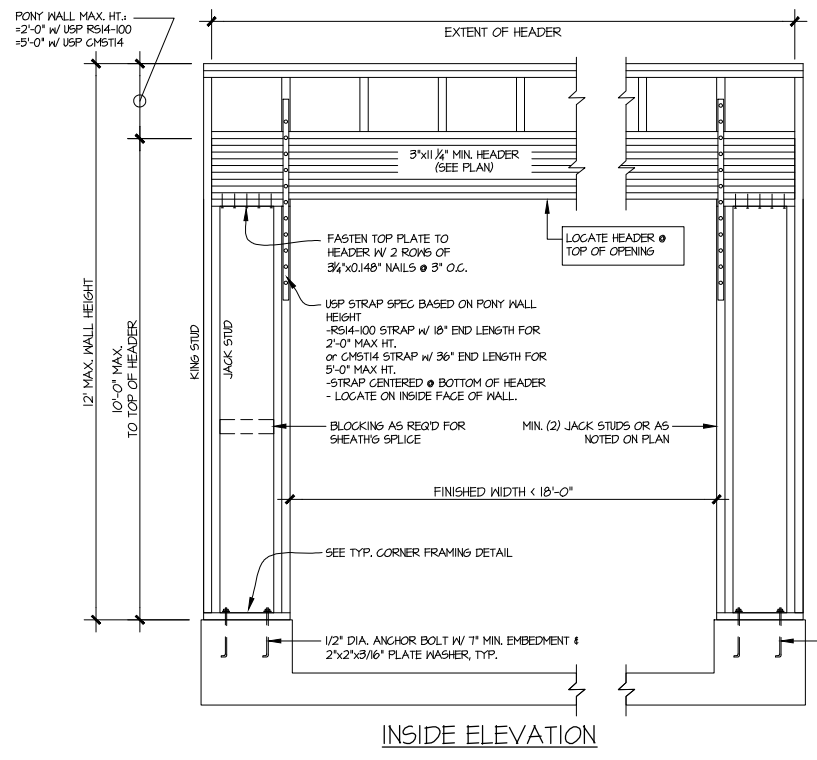
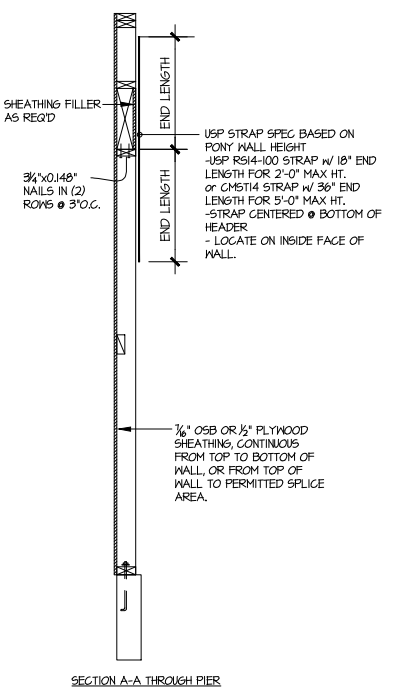
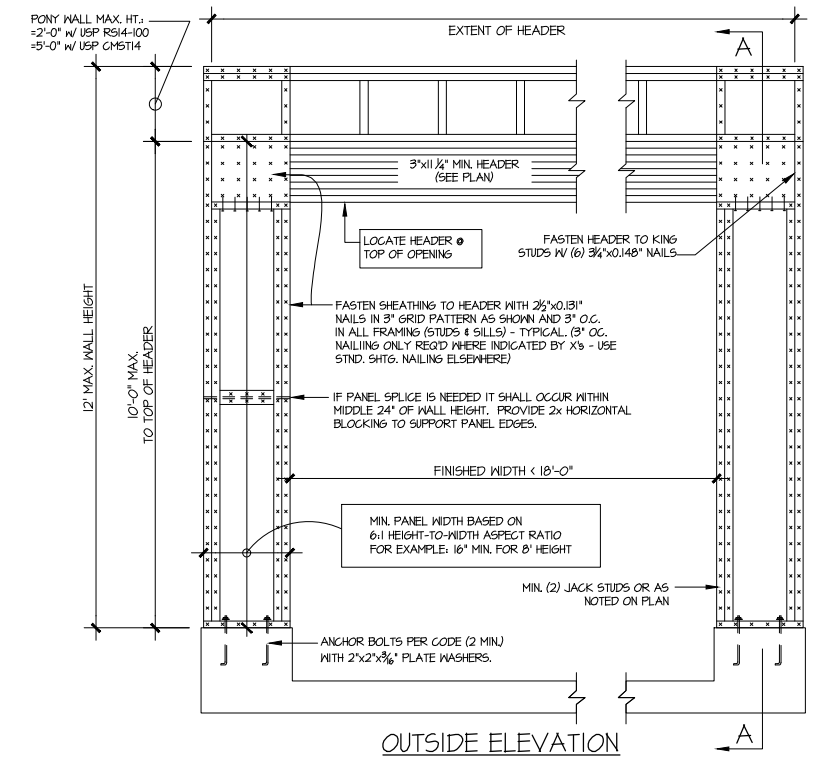
Mulhern+Kulp project number:  
 256-21009  
 project mgr: SMK  
 drawn by: MJF  
 issue date: 10-26-2021

REVISIONS:  
 date: 11/22/21 initial: JPP  
 REVISIONS ADDED

SMITH DOUGLAS  
 HOMES

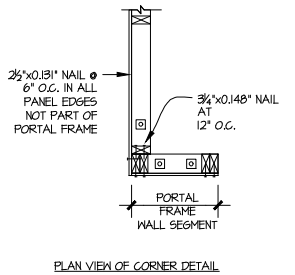
FRAMING DETAILS  
 MCGINNIS MODEL  
 RALEIGH, NC

sheet:  
**SD2.0**



NOTE: ALL SHEATHABLE AREAS OF EXTERIOR WALL SHALL BE FULLY SHEATHED WITH 1/2" PLYWOOD OR 3/8" OSB

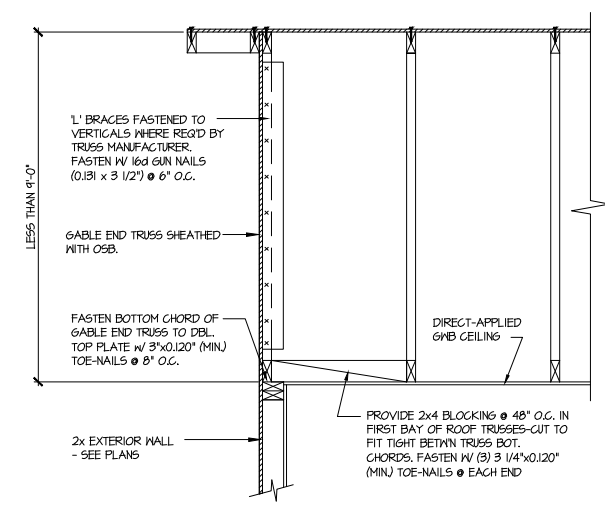
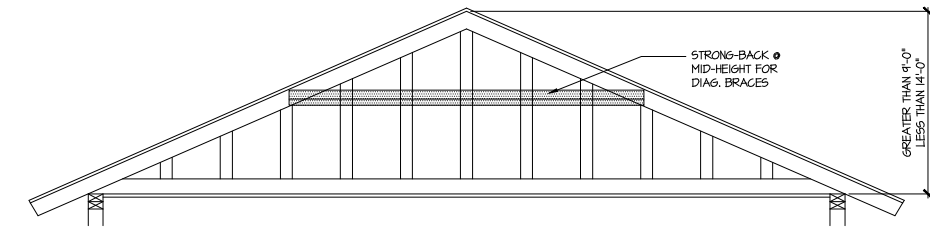
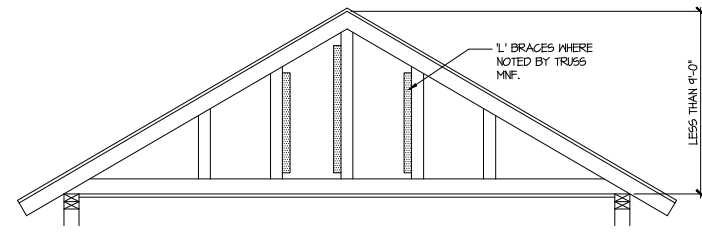
WALL FRAMING SPECIFICATION:  
 @2x4 WALL: USE SPF #2 GRADE STUDS (OR BETTER)  
 @2x6 WALL: USE SPF STUD GRADE STUDS (OR BETTER)



ALTERNATIVES TO 1/2" DIA. ANCHOR BOLT:  
 1) 1/2" DIA. THREADED ROD EPOXY SET w/4 1/2" EMB. (MIN UTILIZING HILTI HY200 EPOXY ANCHORING SYSTEM (OR EQUAL))

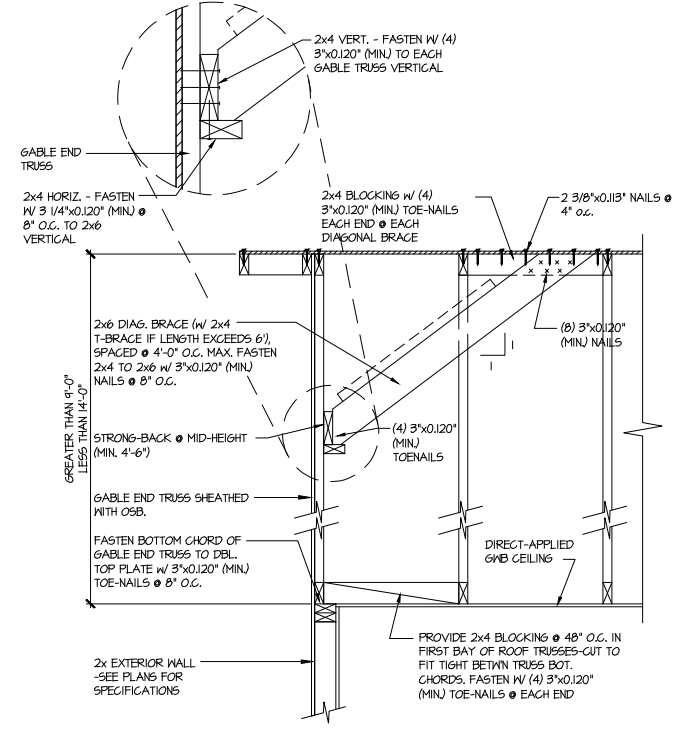
**GARAGE PORTAL FRAME BRACING ELEVATION**  
 SCALE: N.T.S. BOTH SIDES OF GARAGE DOOR  
 115 MPH WIND SPEED (ULT)

Duncans  
 Crossing  
 Lot 77



**A** TYPICAL GABLE END BRACING DETAIL  
 SCALE: NONE  
 REQ'D • GABLE END TRUSS HEIGHT UP TO 9'-0"

BRACE GABLE END TRUSSES PER ABOVE DETAIL WHEN GABLE HEIGHT IS LESS THAN 9'-0". 1" BRACES REQUIRED WHERE NOTED BY TRUSS MANUFACTURER.



**B** TYPICAL GABLE END BRACING DETAIL  
 SCALE: NONE  
 REQ'D • GABLE END TRUSS HEIGHT BETWEEN 9'-0" TO 14'-0"

BRACE GABLE END TRUSSES PER ABOVE DETAIL WHEN GABLE HEIGHT EXCEEDS 9'-0". 1" BRACES NOT REQUIRED.

LETTERED DETAILS ARE TYPICAL FOR THIS HOME & SHALL BE IMPLEMENTED IN ALL APPLICABLE AREAS. THESE DETAILS ARE NOT "CUT" ON THE PLANS.

NUMBERED DETAILS ARE PLAN SPECIFIC AND ARE ONLY REQUIRED WHERE SPECIFICALLY INDICATED ("CUT") ON THE PLANS.

**MULHERN+KULP**  
 RESIDENTIAL STRUCTURAL ENGINEERING  
 3025 Sandhills Parkway, Suite 105 - Alpharetta, GA 30022  
 770-777-8074 • mulhern+kulp.com  
 NC License # C-3825

Mulhern+Kulp project number:  
 256-21009  
 project mgr: SMK  
 drawn by: MJF  
 issue date: 10-26-2021

REVISIONS:  
 date: 11/22/21 initial: JPP  
 MISSED PLANS ADDED

SMITH DOUGLAS  
 HOMES

MCGINNIS MODEL  
 RALEIGH, NC

Duncans  
 Crossing  
 Lot 77

sheet:  
**SD2.1**



**GENERAL STRUCTURAL NOTES:**

- The design professional whose seal appears on these drawings is the structural engineer of record (SER) for this project. The SER bears the responsibility of the primary structural elements and the performance of this structure. No other party may revise, alter, or delete any structural aspects of these construction documents without written permission of SUMMIT Engineering, Laboratory & Testing, P.C. (SUMMIT) or the SER. For the purposes of these construction documents the SER and SUMMIT shall be considered the same entity.
- The structure is only stable in its completed form. The contractor shall provide all required temporary bracing during construction to stabilize the structure.
- The SER is not responsible for construction sequences, methods, or techniques in connection with the construction of this structure. The SER will not be held responsible for the contractor's failure to conform to the contract documents, should any non-conformities occur.
- Any structural elements or details not fully developed on the construction drawings shall be completed under the direction of a licensed professional engineer. These shop drawings shall be submitted to SUMMIT for review before any construction begins. The shop drawings will be reviewed for overall compliance as it relates to the structural design of this project. Verification of the shop drawings for dimensions, or for actual field conditions, is not the responsibility of the SER or SUMMIT.
- Verification of assumed field conditions is not the responsibility of the SER. The contractor shall verify the field conditions for accuracy and report any discrepancies to SUMMIT before construction begins.
- The SER is not responsible for any secondary structural elements or non-structural elements, except for the elements specifically noted on the structural drawings.
- This structure and all construction shall conform to all applicable sections of the international residential code.
- This structure and all construction shall conform to all applicable sections of the 2018 North Carolina Residential Code (NCRC) and any local codes or restrictions

**FOUNDATIONS:**

- Foundations shall be constructed in accordance with chapter 4 of the 2018 NC Residential Building Code (Special consideration shall be given to Chapter 45 in wind zones above 130mph)
- Footing sizes based on a presumptive soil bearing capacity of 2000 PSF. Contractor is solely responsible for verifying the suitability of the site soil conditions at the time of construction
- Maximum depth of unbalanced fill against masonry walls to be as specified in section R404.1 of the 2018 NCRC
- The structural engineer has not performed a subsurface investigation. Verification of this assumed value is the responsibility of the owner or the contractor. Should any adverse soil condition be encountered the SER must be contacted before proceeding.
- The bottom of all footings shall extend below the frost line for the region in which the structure is to be constructed. However, the bottom of all footings shall be a minimum of 12" below grade.
- Any fill shall be placed under the direction or recommendation of a licensed professional engineer. The resulting soil shall be compacted to a minimum of 95% maximum dry density.
- Excavations of footings shall be lined temporarily with a 6 mil polyethylene membrane if placement of concrete does not occur within 24 hours of excavation.
- No concrete shall be placed against any subgrade containing water, ice, frost, or loose material.
- Each crawl space pier shall bear in the middle third of its respective footing and each girder shall bearing in the middle third of the piers. Pilasters to be bonded to perimeter foundation wall
- Crawl spaced to be graded level and clear of all debris
- Provide foundation waterproofing and drain with positive slope to outlet as required by site conditions
- Energy efficiency compliance and insulation of the structure to be in accordance with chapter 11 of the 2018 NCRC

**CONCRETE:**

- Concrete shall have a normal weight aggregate and a minimum compressive strength (f'c) at 28 days of 3000 psi, unless otherwise noted on the plan.
- Concrete shall be proportioned, mixed, and placed in accordance with the latest editions of ACI 318: "Building Code Requirements for Reinforced Concrete" and ACI 301: "Specifications for Structural Concrete for Buildings".
- Air entrained concrete must be used for all structural elements exposed to freeze/thaw cycles and deicing chemicals. Air entrainment amounts (in percent) shall be within -1% to +2% of target values as follows:
  - Footings: 5%
  - Exterior Slabs: 5%
- No admixtures shall be added to any structural concrete without written permission of the SER
- Concrete slabs-on-grade shall be constructed in accordance with ACI 302.1R-96: "Guide for Concrete Slab and Slab Construction".
- The concrete slab-on-grade has been designed using a subgrade modulus of k=250 pci and a design loading of 200 psf. The SER is not responsible for differential settlement, slab cracking or other future defects resulting from unreported conditions not in accordance with the above assumptions.
- Control or saw cut joints shall be spaced in interior slabs-on-grade at a maximum of 15'-0" O.C. and in exterior slabs-on-grade at a maximum of 10'-0" unless otherwise noted.
- Control or saw cut joints shall be produced using conventional process within 4 to 12 hours after the slab has been finished
- Reinforcing steel may not extend through a control joint. Reinforcing steel may extend through a saw cut joint.
- All welded wire fabric (W.W.F.) for concrete slabs-on-grade shall be placed at mid-depth of slab. The W.W.F. shall be securely supported during the concrete pour. Fibermesh may be used in lieu of W.W.F.

**CONCRETE REINFORCEMENT:**

- Fibrous concrete reinforcement, or fibermesh, specified in concrete slabs-on-grade may be used for control of cracking due to shrinkage and thermal expansion/contraction, lowered water migration, an increase in impact capacity, increased abrasion resistance, and residual strength.
- Fibermesh reinforcing to be 100% virgin polypropylene fibers containing no reprocessed olefin materials and specifically manufactured for use as concrete secondary reinforcement.
- Application of fibermesh per cubic yard of concrete shall equal a minimum of 0.1% by volume (1.5 pounds per cubic yard)
- Fibermesh shall comply with ASTM C1116, any local building code requirements, and shall meet or exceed the current industry standard.
- Steel Reinforcing bars shall be new billet steel conforming to ASTM A615, grade 60.
- Detailing, fabrication, and placement of reinforcing steel shall be in accordance with the latest edition of ACI 315: "Manual of Standard Practice for Detailing Concrete Structures"
- Horizontal footing and wall reinforcement shall be continuous and shall have 90° bends, or corner bars with the same size/spacing as the horizontal reinforcement with a class B tension splice.
- Lap reinforcement as required, a minimum of 40 bar diameters for tension or compression unless otherwise noted. Splices in masonry shall be a minimum of 48 bar diameters.
- Where reinforcing dowels are required, they shall be equivalent in size and spacing to the vertical reinforcement. The dowel shall extend 48 bar diameters vertically and 20 bar diameters into the footing.
- Where reinforcing steel is required vertically, dowels shall be provided unless otherwise noted.

**WOOD FRAMING:**

- Solid sawn wood framing members shall conform to the specifications listed in the latest edition of the "National Design Specification for Wood Construction" (NDS). Unless otherwise noted, all wood framing members are designed to be Spruce-Pine-Fir (SPF) #2.
- LVL or PSL engineered wood shall have the following minimum design values:
  - E = 1,900,000 psi
  - Fb = 2600 psi
  - Fv = 285 psi
  - Fc = 700 psi
- Wood in contact with concrete, masonry, or earth shall be pressure treated in accordance with AWPA standard C-15. All other moisture exposed wood shall be treated in accordance with AWPA standard C-2
- Nails shall be common wire nails unless otherwise noted.
- Lag screws shall conform to ANSI/ASME standard B18.2.1-1981. Lead holes for lag screws shall be in accordance with NDS specifications.
- All beams shall have full bearing on supporting framing members unless otherwise noted.
- Exterior and load bearing stud walls are to be 2x4 SPF#2 @16" O.C. unless otherwise noted. Studs shall be continuous from the sole plate to the double top plate. Studs shall only be discontinuous at headers for window/door openings. A minimum of one king stud shall be placed at each end of the header. King studs shall be continuous.
- Individual studs forming a column shall be attached with one 10d nail @6" O.C. staggered. The stud column shall be continuous to the foundation or beam. The column shall be fully blocked at all floor levels to ensure proper load transfer.
- Multi-ply beams shall have each ply attached with (3)10d nails @ 24" O.C.
- Fitch beams and four and five ply beams shall be bolted together with (2) rows of 1/2" dia. through bolts staggered @24" O.C. w/ 2" edge distance and (2) bolts located at 6" from each end, unless noted otherwise.

**WOOD TRUSSES:**

- The wood truss manufacturer/fabricator is responsible for the design of the wood trusses. Submit sealed shop drawings and supporting calculations to the SER for review prior to fabrication. The SER shall have a minimum of five (5) days for review. The review by the SER shall review for overall compliance with the design documents. The SER shall assume no responsibility for the correctness for the structural design for the wood trusses.
- The wood trusses shall be designed for all required loadings as specified in the local building code, the ASCE Standard "Minimum Design Loads for Buildings and Other Structures." (ASCE 7-10), and the loading requirements shown on these specifications. The truss drawings shall be coordinated with all other construction documents and provisions provided for loads shown on these drawings including but not limited to HVAC equipment, piping, and architectural fixtures attached to the trusses.
- The trusses shall be designed, fabricated, and erected in accordance with the latest edition of the "National Design Specification for Wood Construction." (NDS) and "Design Specification for Metal Plate Connected Wood Trusses."
- The truss manufacturer shall provide adequate bracing information in accordance with "Commentary and Recommendations for Handling, Installing, and Bracing Metal Plate Connected Wood Trusses" (HIB-91). This bracing, both temporary and permanent, shall be shown on the shop drawings. Also, the shop drawings shall show the required attachments for the trusses.
- Any chords or truss webs shown on these drawings have been shown as a reference only. The final design of the trusses shall be per the manufacturer.

**WOOD STRUCTURAL PANELS:**

- Fabrication and placement of structural wood sheathing shall be in accordance with the APA Design/Construction Guide "Residential and Commercial," and all other applicable APA standards.
- All structurally required wood sheathing shall bear the mark of the APA.
- Wood wall sheathing shall comply with the requirements of local building codes for the appropriate state as indicated on these drawings. Refer to wall bracing notes in plan set for more information. Sheathing shall be applied with the long direction perpendicular to framing, unless noted otherwise.
- Roof sheathing shall be APA rated sheathing exposure 1 or 2. Roof sheathing shall be continuous over two supports and attached to its supporting roof framing with (1)-8d CC nail at 6"o/c at panel edges and at 12"o/c in panel field unless otherwise noted on the plans. Sheathing shall be applied with the long direction perpendicular to framing. Sheathing shall have a span rating consistent with the framing spacing. Use suitable edge support by use of plywood clips or lumber blocking unless otherwise noted. Panel end joints shall occur over framing. Apply building paper over the sheathing as required by the state Building Code.
- Wood floor sheathing shall be APA rated sheathing exposure 1 or 2. Attach sheathing to its supporting framing with (1)-8d CC ringshank nail at 6"o/c at panel edges and at 12"o/c in panel field unless otherwise noted on the plans. Sheathing shall be applied perpendicular to framing. Sheathing shall have a span rating consistent with the framing spacing. Use suitable edge support by use of T&G plywood or lumber blocking unless otherwise noted. Panel end joints shall occur over framing. Apply building paper over the sheathing as required by the state Building Code.
- Sheathing shall have a 1/8" gap at panel ends and edges as recommended in accordance with the APA.

**STRUCTURAL FIBERBOARD PANELS:**

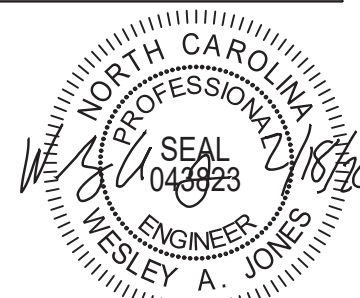
- Fabrication and placement of structural fiberboard sheathing shall be in accordance with the applicable AFA standards.
- Fiberboard wall sheathing shall comply with the requirements of local building codes for the appropriate state as indicated on these drawings. Refer to wall bracing notes in plan set for more information.
- Sheathing shall have a 1/8" gap at panel ends and edges are recommended in accordance with the AFA.

**EXTERIOR WOOD FRAMED DECKS:**

- Decks are to be framed in accordance with local building codes and as referenced on the structural plans, either through code references or construction details.

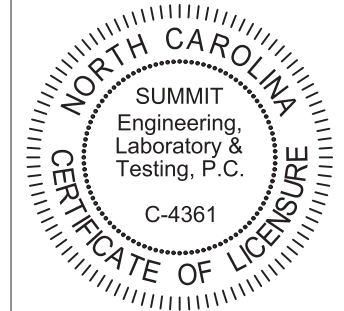
**STRUCTURAL STEEL:**

- Structural steel shall be fabricated and erected in accordance with the American Institute of Steel Construction "Code of Standard Practice for Steel Buildings and Bridges" and of the manual of Steel Construction "Load Resistance Factor Design" latest editions.
- All steel shall have a minimum yield stress (Fy) of 36 ksi unless otherwise noted.
- Welding shall conform to the latest edition of the American Welding Society's Structural Welding Code AWS D1.1. Electrodes for shop and field welding shall be class E70XX. All welding shall be performed by a certified welder per the above standards.



STRUCTURAL MEMBERS ONLY

**SUMMIT**  
ENGINEERING LABORATORY TESTING  
3070 HAMMOND BUSINESS PLACE,  
SUITE 171, RALEIGH, NC 27603  
OFFICE: 919.380.9991  
FAX: 919.380.9993  
WWW.SUMMIT-COMPANIES.COM



PROJECT  
**Standard Details**  
**Notes and Specifications**  
CLIENT  
**Smith Douglas Homes**  
**110 Village Trail, Suite 215**  
**Woodstock, GA 30188**

**CURRENT DRAWING**

DATE: 2/18/20  
SCALE: NTS  
PROJECT #: 3832  
DRAWN BY: LBV  
CHECKED BY: WAJ

**ORIGINAL DRAWING**

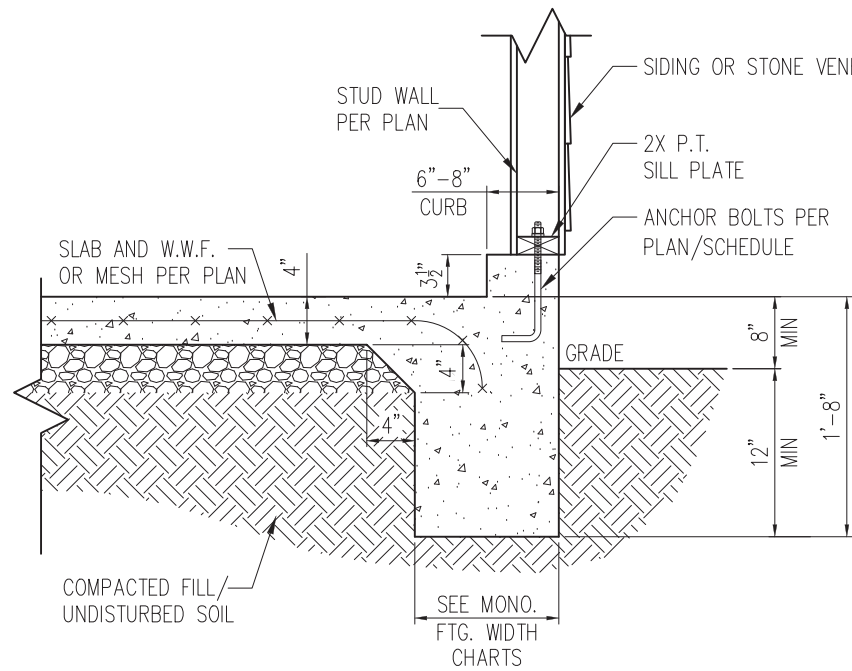
NO.	DATE	PROJECT #
0	1/7/16	3832

REFER TO COVER SHEET FOR A COMPLETE LIST OF REVISIONS

SHEET

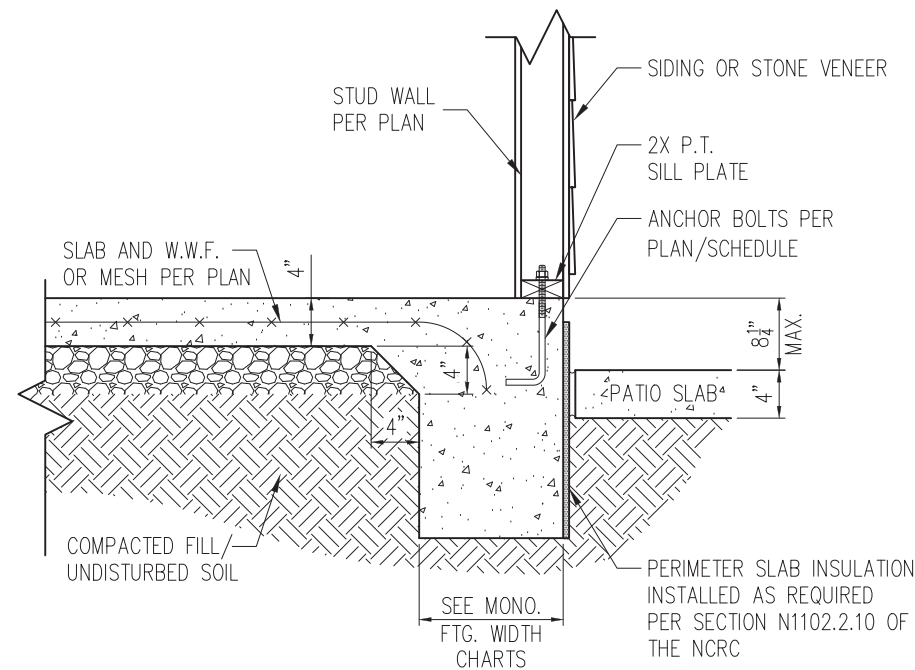
**CS2**





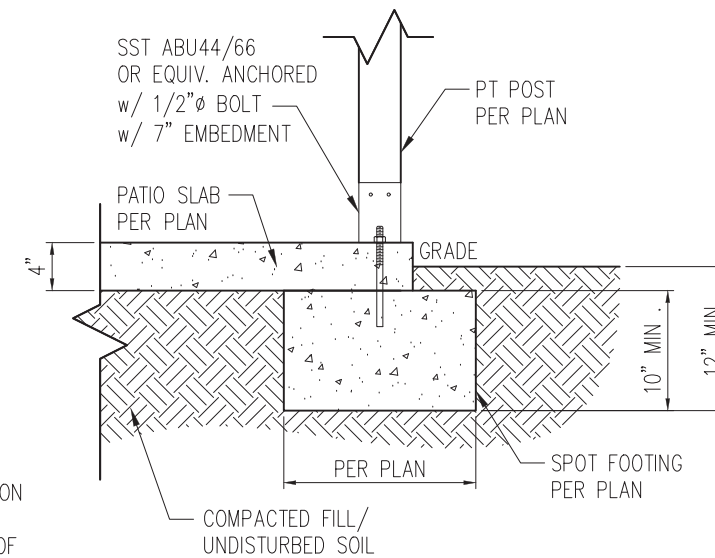
STANDARD - SIDING/STONE

1 TYP. GARAGE CURB DETAIL  
D1m 3/4" = 1'-0"

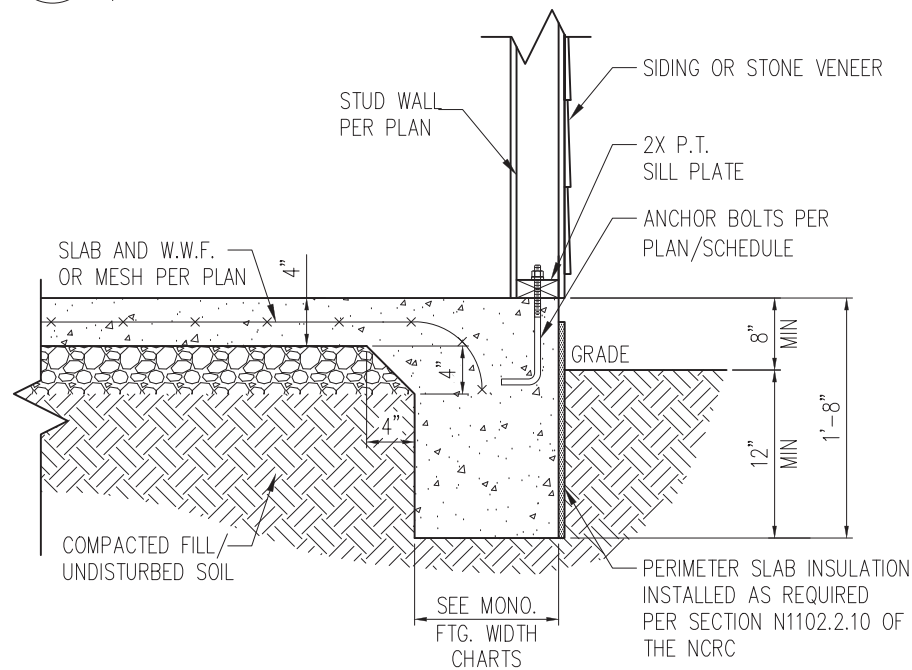


STANDARD - SIDING/STONE

2 PATIO SLAB DETAIL  
D1m 3/4" = 1'-0"

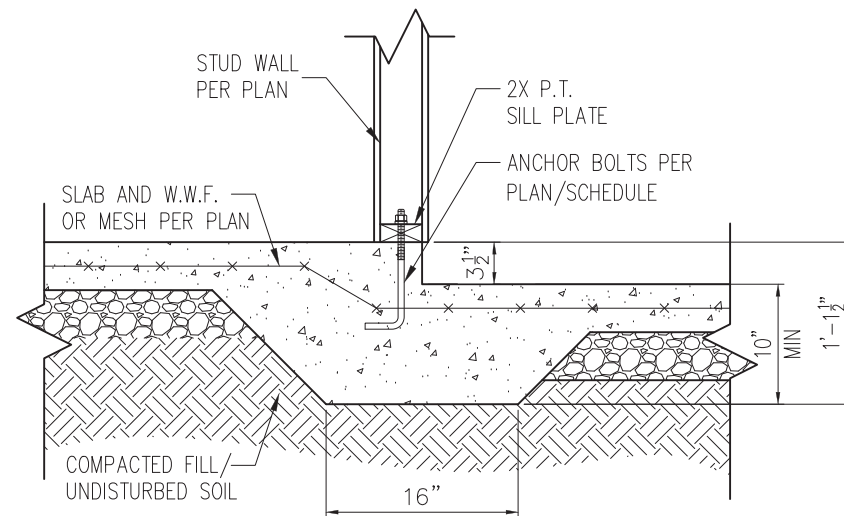


2A COVERED PATIO DETAIL  
D1m 3/4" = 1'-0"



STANDARD - SIDING/STONE

3 TYP. SLAB DETAIL  
D1m 3/4" = 1'-0"



4 STEP IN GARAGE  
D1m 3/4" = 1'-0"

WALL ANCHOR SCHEDULE

TYPE OF ANCHOR	MIN. CONC. EMBEDMENT	SPACING EMBEDMENT	INTERIOR WALL	EXTERIOR WALL
1/2" Ø A307 BOLTS w/ STD. 90° BEND	7"	6'-0"	YES	YES
SST - MAS	4"	5'-0"	NO	YES
HILTI KWIK BOLT KBI 1/2-2-3/4	2-1/4"	6'-0"	YES	NO
1/2" Ø HILTI THREADED ROD w/ HIT HY150 ADHESIVE	7"	6'-0"	YES	YES

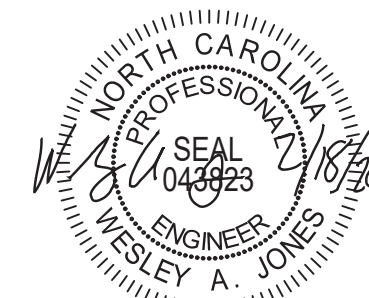
NOTE: INSTALL ALL ANCHORS 12" MAX. FROM ALL BOTTOM PLATE ENDS AND JOINTS.

MONOLITHIC FOOTING WIDTH

# OF STORIES	WIDTH BASED ON SOIL BEARING CAPACITY		
	1500 PSF	2000 PSF	2500 PSF
1 STORY - STD.	16"	16"	16"
1 STORY - BRICK VENEER	21"	21"	21"
2 STORY - STD.	20"	16"	16"
2 STORY - BRICK VENEER	25"	21"	21"

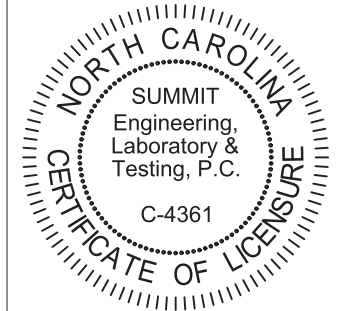
\*5" BRICK LEDGE HAS BEEN ADDED TO THE MONOLITHIC FOOTING WIDTH FOR BRICK SUPPORT

- NOTES:
- REFER TO GENERAL NOTES & SPECIFICATIONS ON SHEET CS2 FOR ADDITIONAL INFORMATION.
  - PROVIDE 6 MIL VAPOR BARRIER UNDER ALL SLABS-ON-GRADE.
  - SEE ARCH. DWGS. FOR ALL TOP OF THE SLAB ELEVATIONS, SLOPES AND DEPRESSIONS.



STRUCTURAL MEMBERS ONLY

**SUMMIT**  
ENGINEERING LABORATORY TESTING  
3070 HAMMOND BUSINESS PLACE,  
SUITE 171, RALEIGH, NC 27603  
OFFICE: 919.380.9991  
FAX: 919.380.9993  
WWW.SUMMIT-COMPANIES.COM



PROJECT  
Standard Details  
Monolithic Slab Details  
CLIENT  
Smith Douglas Homes  
110 Village Trail, Suite 215  
Woodstock, GA 30188

CURRENT DRAWING  
DATE: 2/18/20  
SCALE: NTS  
PROJECT #: 3832  
DRAWN BY: LBV  
CHECKED BY: WAJ

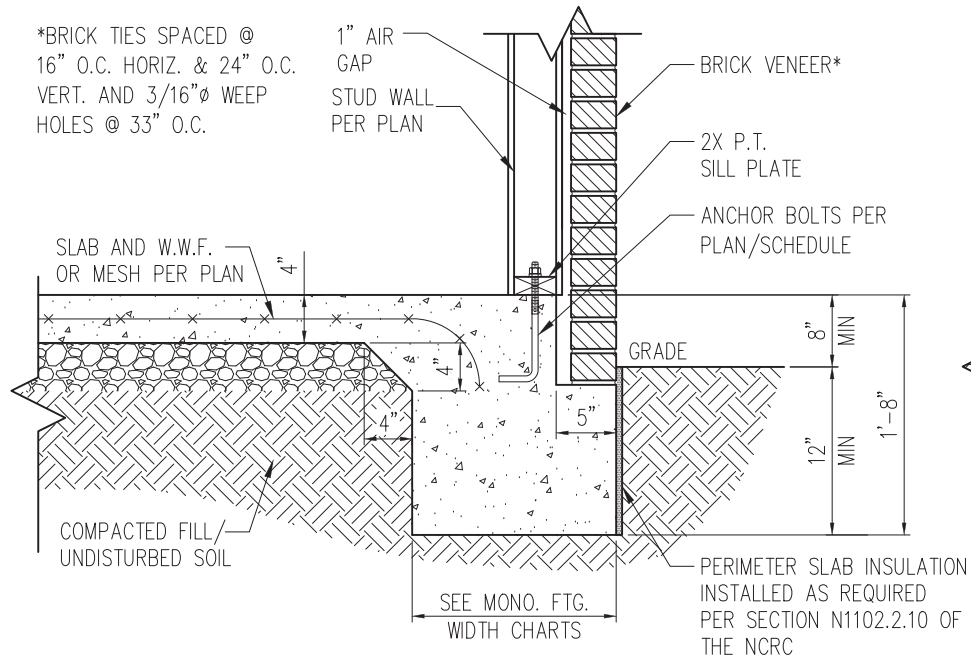
ORIGINAL DRAWING  
NO. DATE PROJECT #  
0 1/7/16 3832

REFER TO COVER SHEET FOR A COMPLETE LIST OF REVISIONS

SHEET

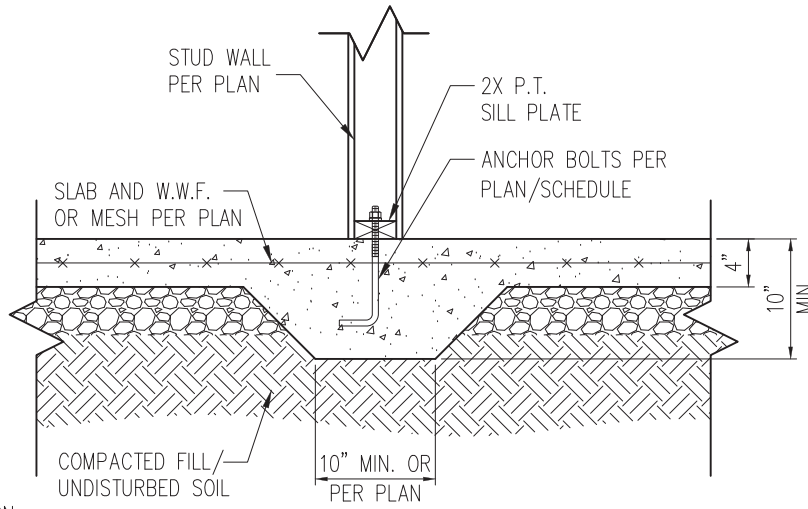
D1m

\*BRICK TIES SPACED @ 16" O.C. HORIZ. & 24" O.C. VERT. AND 3/16" Ø WEEP HOLES @ 33" O.C.



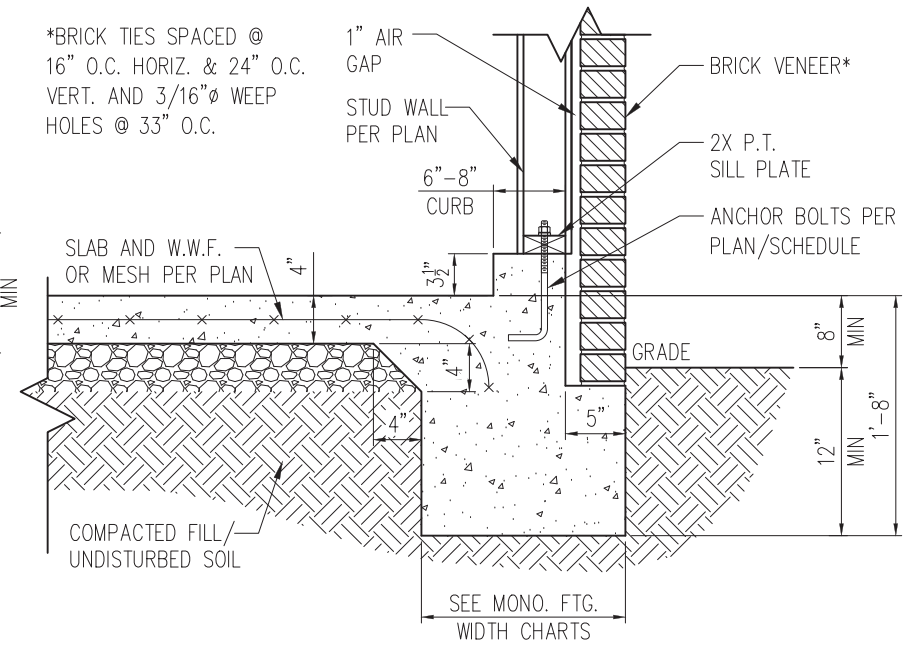
STANDARD - BRICK

1 TYP. SLAB DETAIL W/ BRICK VENEER  
D2m 3/4" = 1'-0"



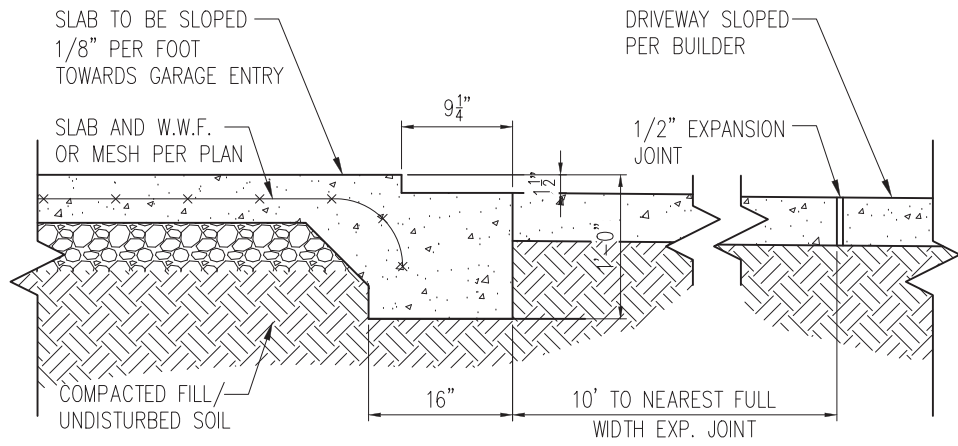
3 TYP. THICKENED SLAB DETAIL  
D2m 3/4" = 1'-0"

\*BRICK TIES SPACED @ 16" O.C. HORIZ. & 24" O.C. VERT. AND 3/16" Ø WEEP HOLES @ 33" O.C.

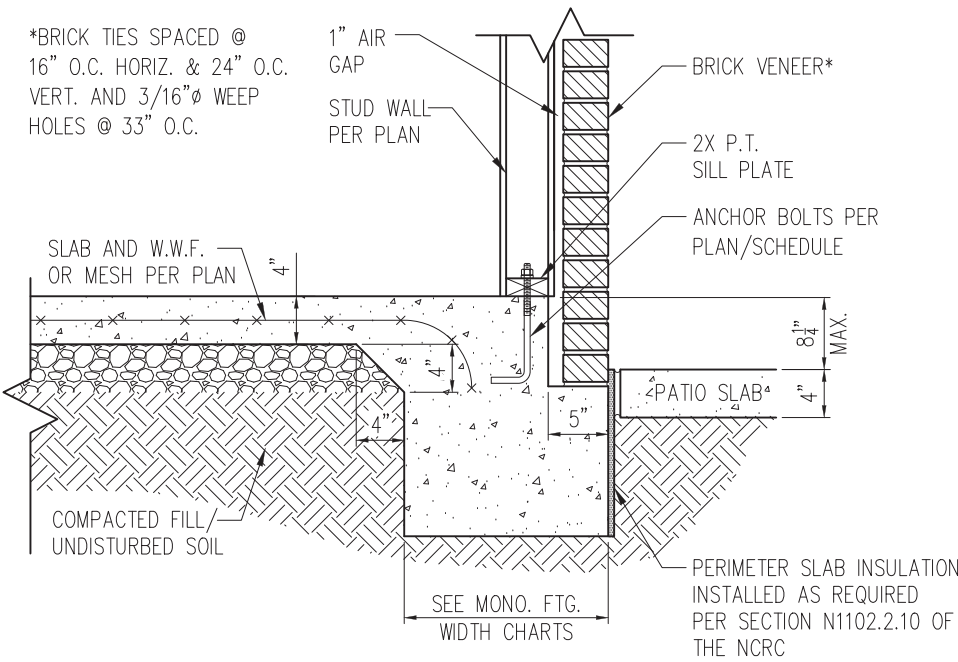


STANDARD - BRICK

5 TYP. GARAGE CURB DETAIL W/ BRICK VENEER  
D2m 3/4" = 1'-0"



2 SLAB AT GARAGE DOOR  
D2m 3/4" = 1'-0"



STANDARD - BRICK

4 PATIO SLAB DETAIL W/ BRICK VENEER  
D2m 3/4" = 1'-0"

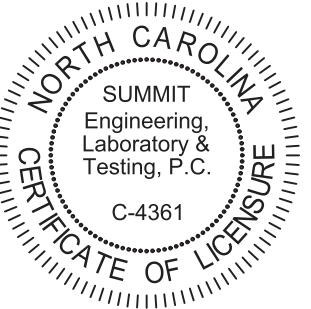
NOTES:

1. REFER TO GENERAL NOTES & SPECIFICATIONS ON SHEET CS2 FOR ADDITIONAL INFORMATION.
2. PROVIDE 6 MIL VAPOR BARRIER UNDER ALL SLABS-ON-GRADE.
3. SEE ARCH. DWGS. FOR ALL TOP OF THE SLAB ELEVATIONS, SLOPES AND DEPRESSIONS.



STRUCTURAL MEMBERS ONLY

**SUMMIT**  
ENGINEERING LABORATORY TESTING  
3070 HAMMOND BUSINESS PLACE,  
SUITE 171, RALEIGH, NC 27603  
OFFICE: 919.380.9991  
FAX: 919.380.9993  
WWW.SUMMIT-COMPANIES.COM



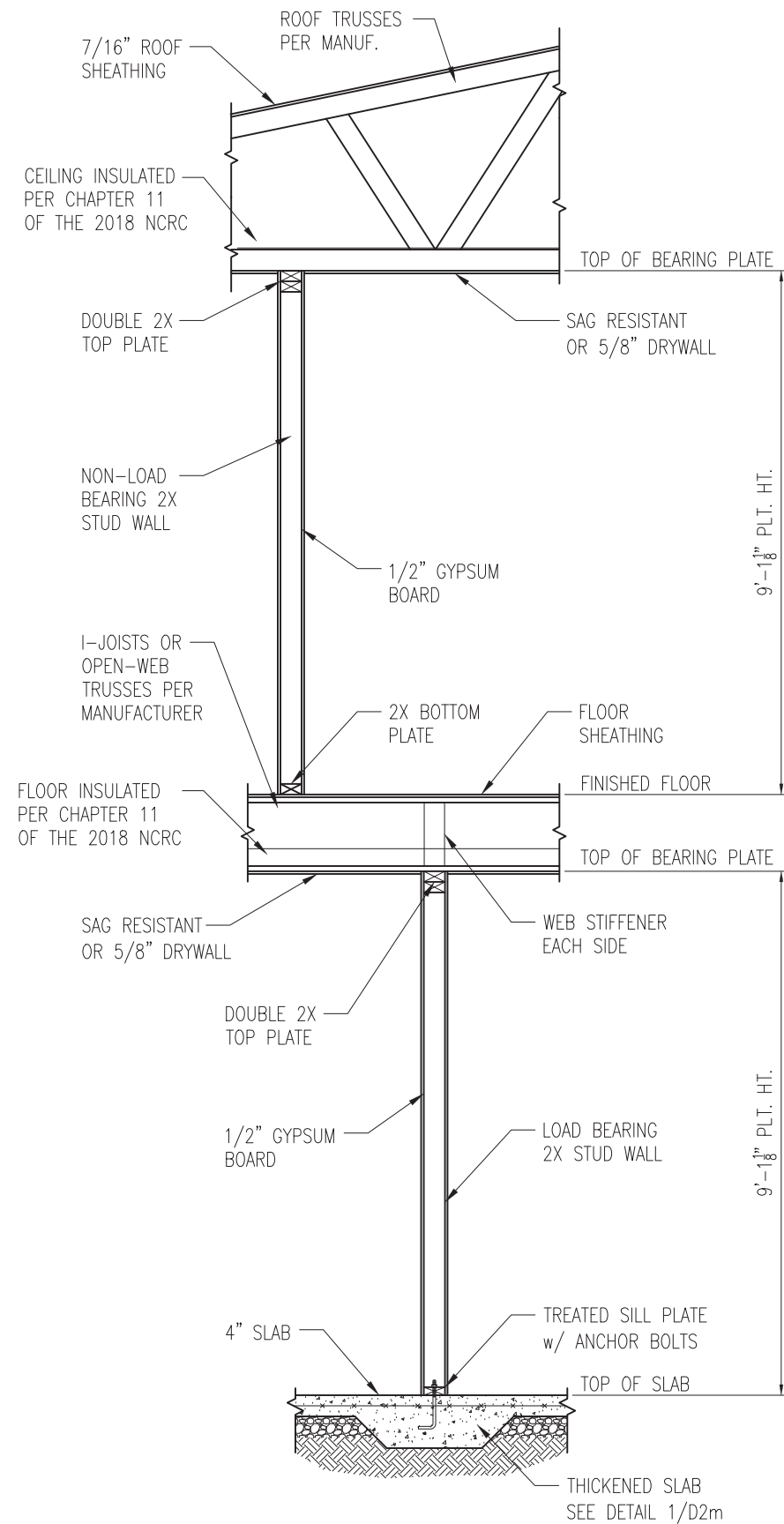
PROJECT  
**Standard Details**  
**Monolithic Slab Details**  
CLIENT  
**Smith Douglas Homes**  
**110 Village Trail, Suite 215**  
**Woodstock, GA 30188**

CURRENT DRAWING  
DATE: 2/18/20  
SCALE: NTS  
PROJECT #: 3832  
DRAWN BY: LBV  
CHECKED BY: WAJ

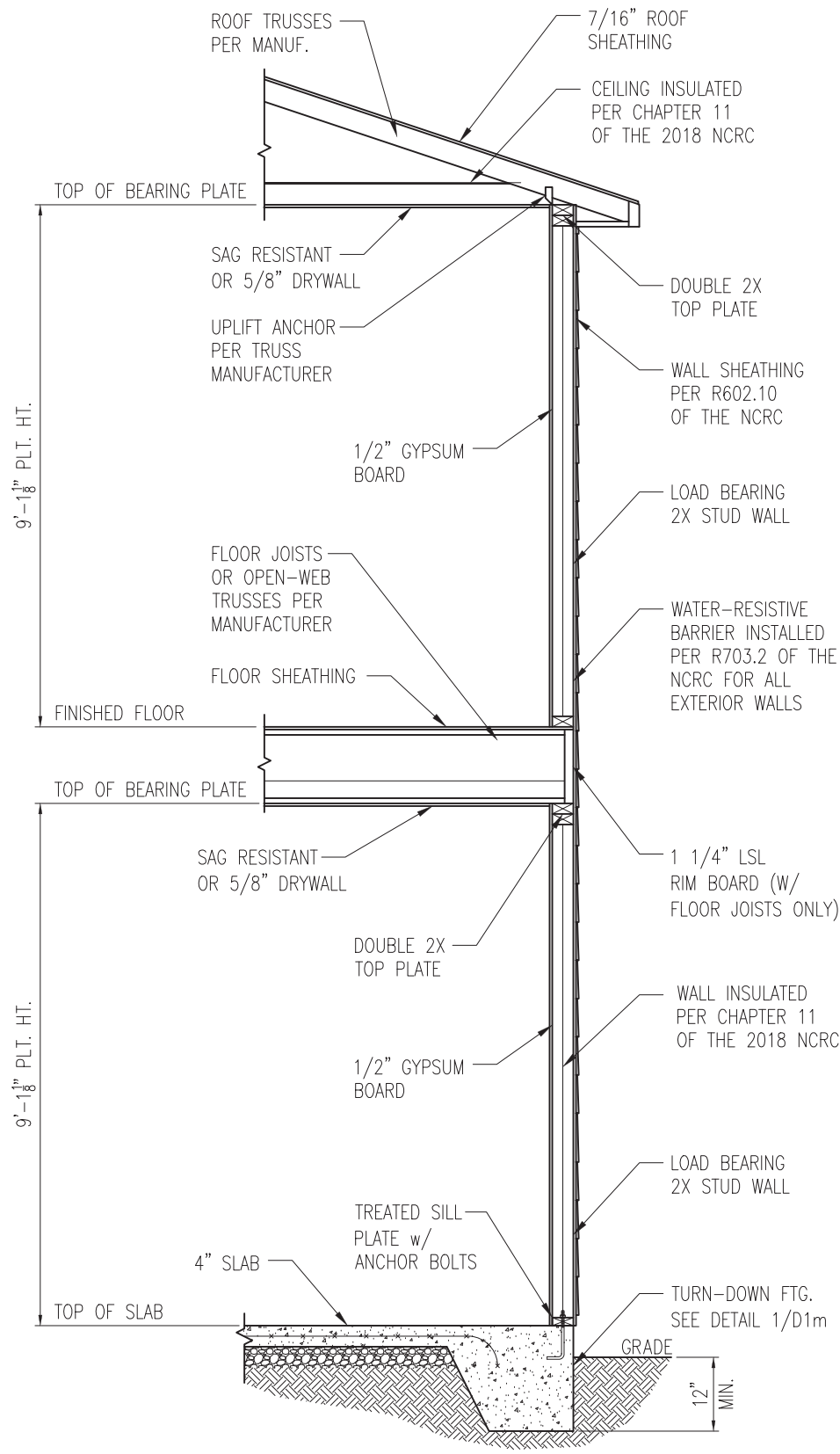
ORIGINAL DRAWING  
NO. DATE PROJECT #  
0 1/7/16 3832

REFER TO COVER SHEET FOR A COMPLETE LIST OF REVISIONS

SHEET  
**D2m**



1 TYP. INTERIOR LOAD BEARING WALL SECTION  
 D3m 3/4" = 1'-0"

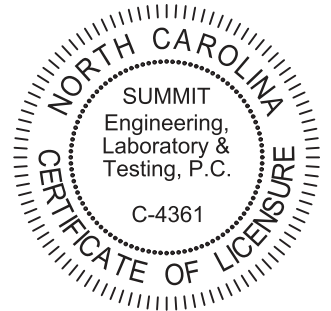


2 TYP. EXTERIOR LOAD BEARING WALL SECTION  
 D3m 3/4" = 1'-0"  
 -SIMILAR w/ BRICK AND STONE  
 -BRICK TIES SPACED @ 16" O.C. HORIZ. & 24" O.C. VERT.  
 -MIN. 3/16" Ø WEEP HOLES @ 33" O.C.

- NOTES:
1. REFER TO GENERAL NOTES & SPECIFICATIONS ON SHEET CS2 FOR ADDITIONAL INFORMATION.
  2. PROVIDE 6 MIL VAPOR BARRIER UNDER ALL SLABS-ON-GRADE.
  3. SEE ARCH. DWGS. FOR ALL TOP OF THE SLAB ELEVATIONS, SLOPES AND DEPRESSIONS.



STRUCTURAL MEMBERS ONLY



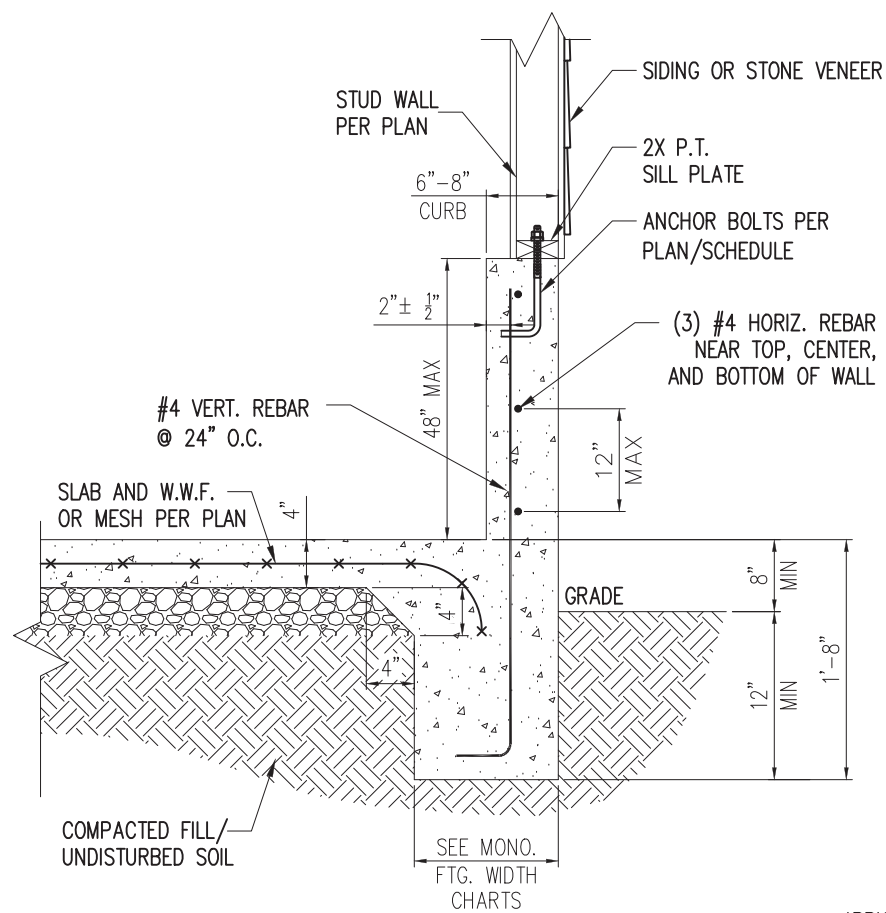
PROJECT  
**Standard Details**  
**Monolithic Slab Details**  
 CLIENT  
**Smith Douglas Homes**  
 110 Village Trail, Suite 215  
 Woodstock, GA 30188

CURRENT DRAWING  
 DATE: 2/18/20  
 SCALE: NTS  
 PROJECT #: 3832  
 DRAWN BY: LBV  
 CHECKED BY: WAJ

ORIGINAL DRAWING  
 NO. DATE PROJECT #  
 0 1/7/16 3832

REFER TO COVER SHEET FOR A COMPLETE LIST OF REVISIONS

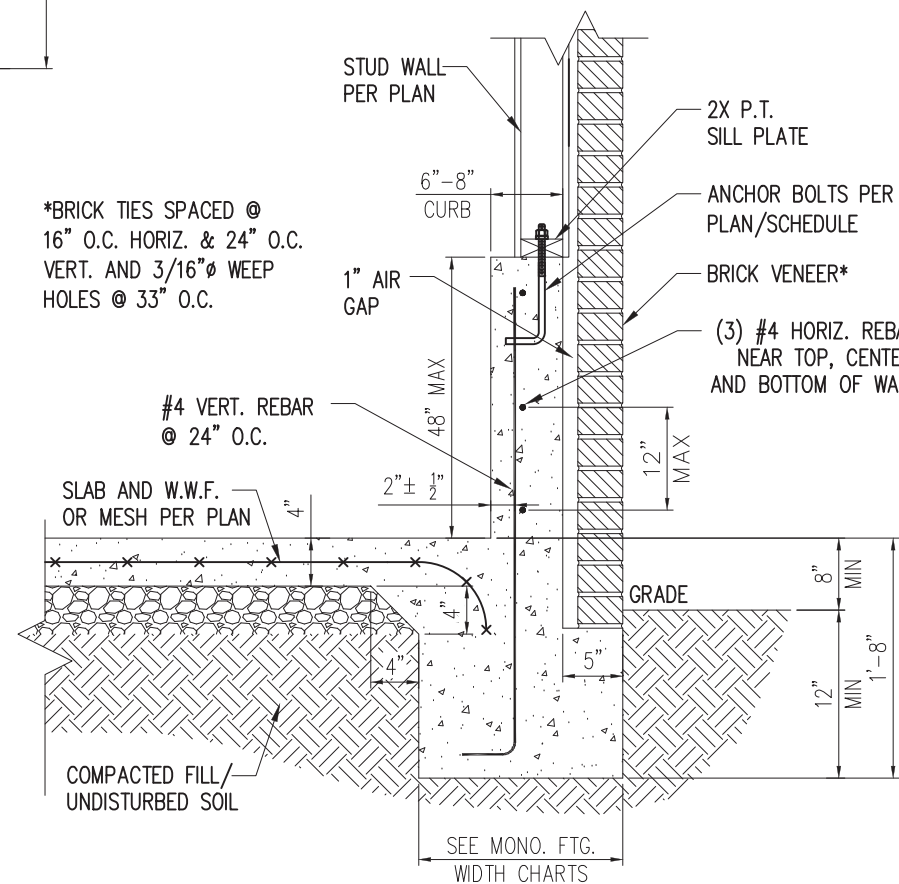
SHEET  
**D3m**



STANDARD - SIDING/STONE

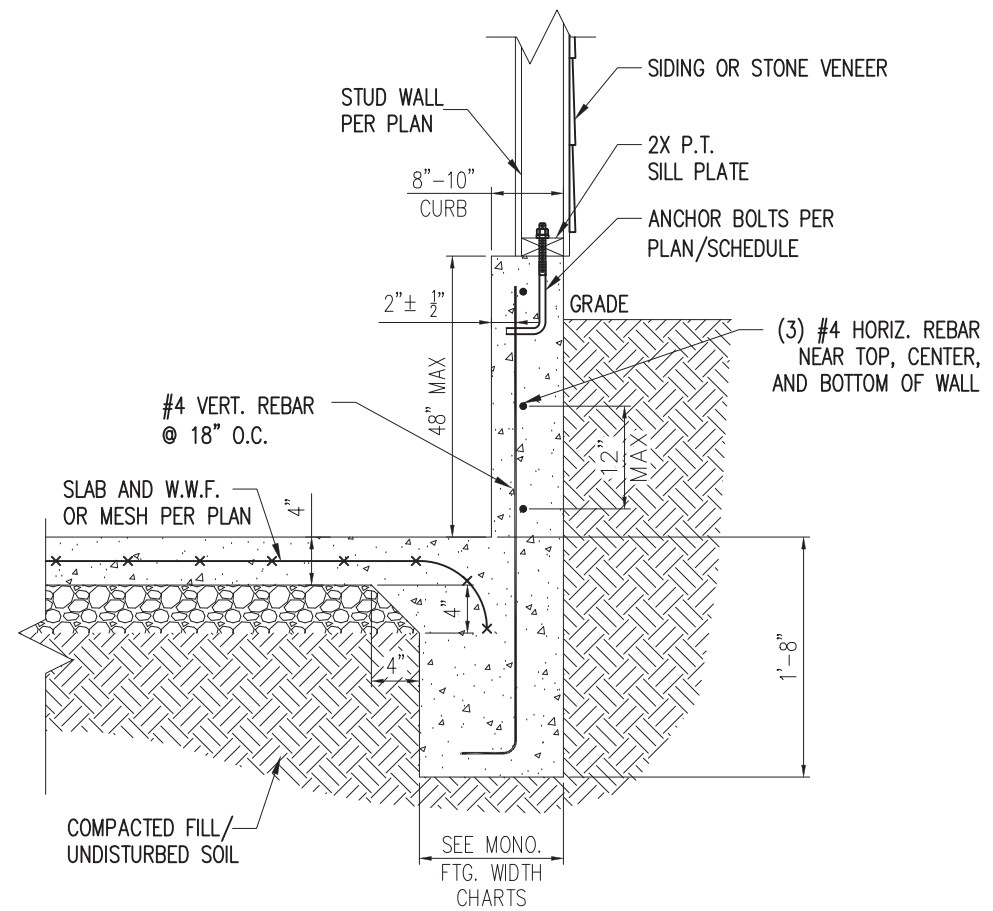
1 EXTENDED GARAGE CURB DETAIL  
D4m NTS

\*BRICK TIES SPACED @  
16" O.C. HORIZ. & 24" O.C.  
VERT. AND 3/16" Ø WEEP  
HOLES @ 33" O.C.



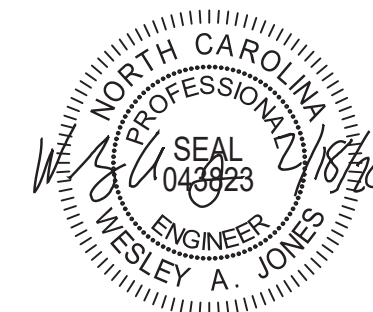
STANDARD - BRICK

3 EXTENDED GARAGE CURB DETAIL  
W/ BRICK VENEER  
D4m NTS



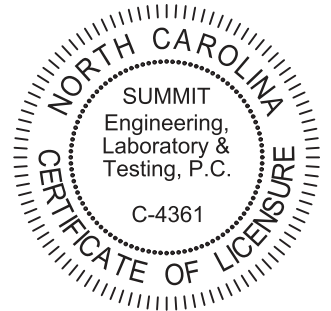
STANDARD - SIDING/STONE

2 EXTENDED GARAGE CURB DETAIL  
W/ UNBALANCED FILL  
D4m NTS



STRUCTURAL MEMBERS ONLY

**SUMMIT**  
ENGINEERING LABORATORY TESTING  
3070 HAMMOND BUSINESS PLACE,  
SUITE 171, RALEIGH, NC 27603  
OFFICE: 919.380.9991  
FAX: 919.380.9993  
WWW.SUMMIT-COMPANIES.COM



PROJECT  
Standard Details  
Monolithic Slab Details  
CLIENT  
Smith Douglas Homes  
110 Village Trail, Suite 215  
Woodstock, GA 30188

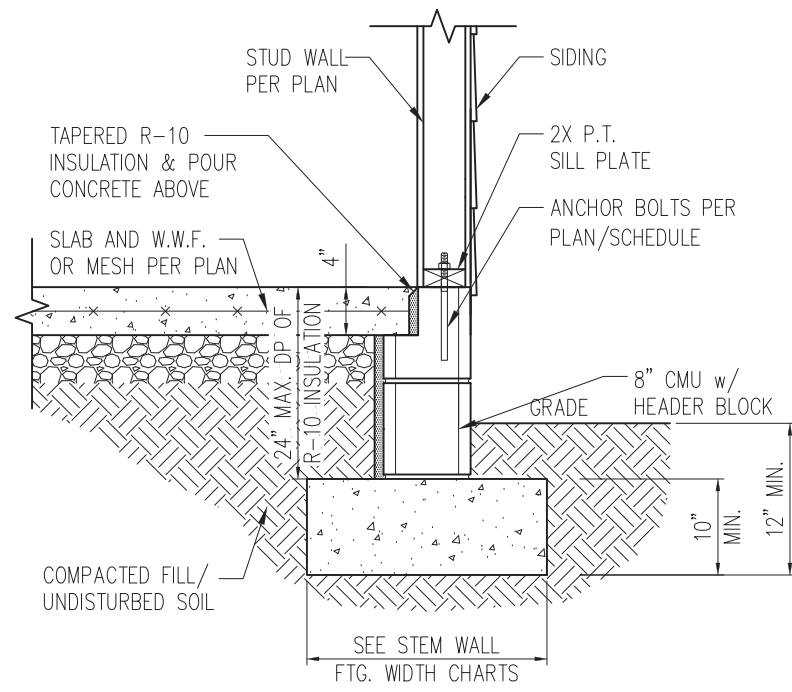
CURRENT DRAWING  
DATE: 2/18/20  
SCALE: NTS  
PROJECT #: 3832  
DRAWN BY: LBV  
CHECKED BY: WAJ

ORIGINAL DRAWING  
NO. DATE PROJECT #  
0 1/7/16 3832

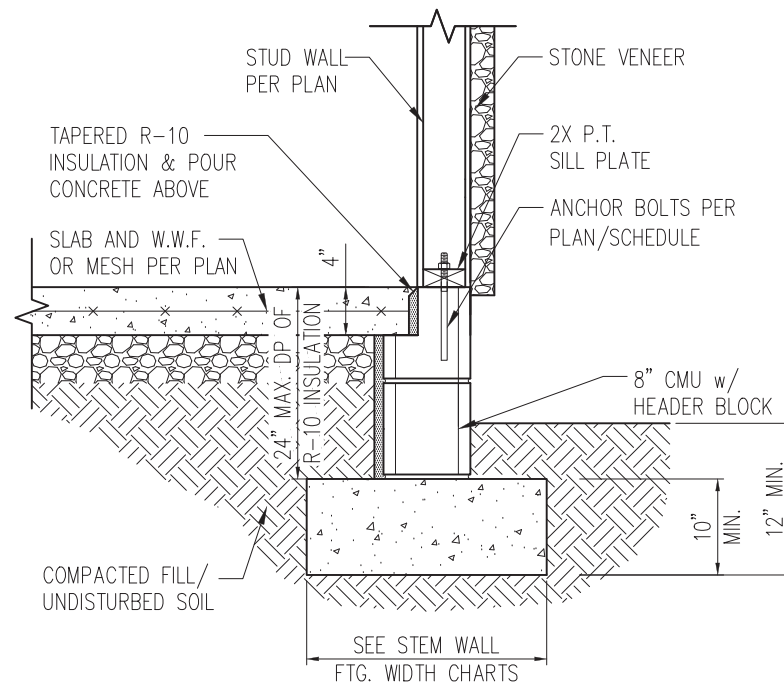
REFER TO COVER SHEET FOR A  
COMPLETE LIST OF REVISIONS

SHEET  
**D4m**

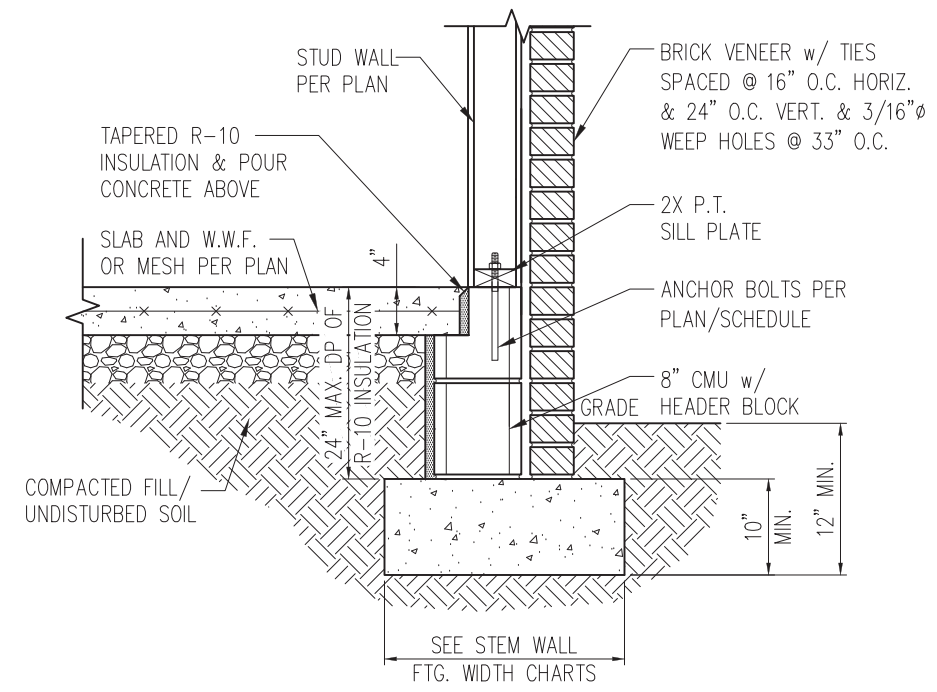




STANDARD - SIDING

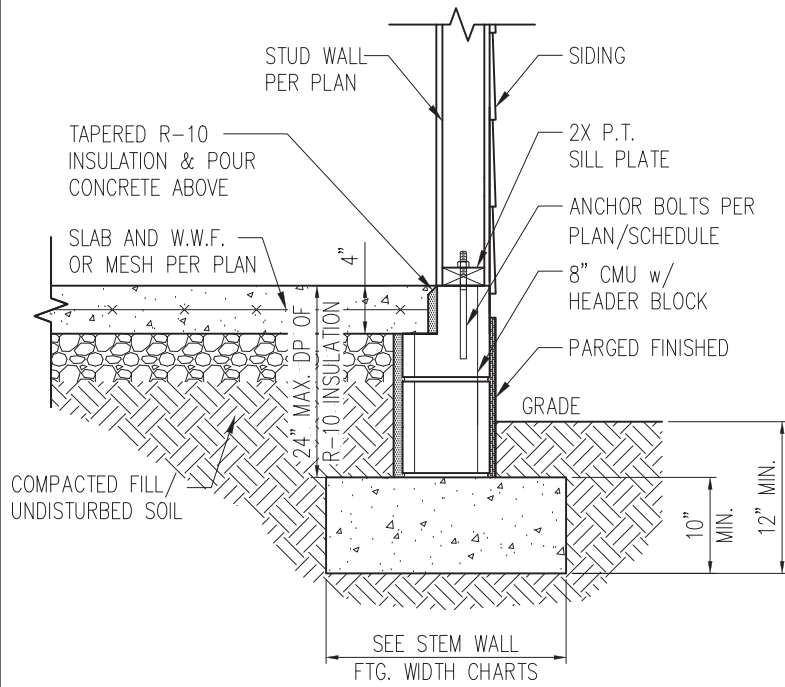


STANDARD - STONE

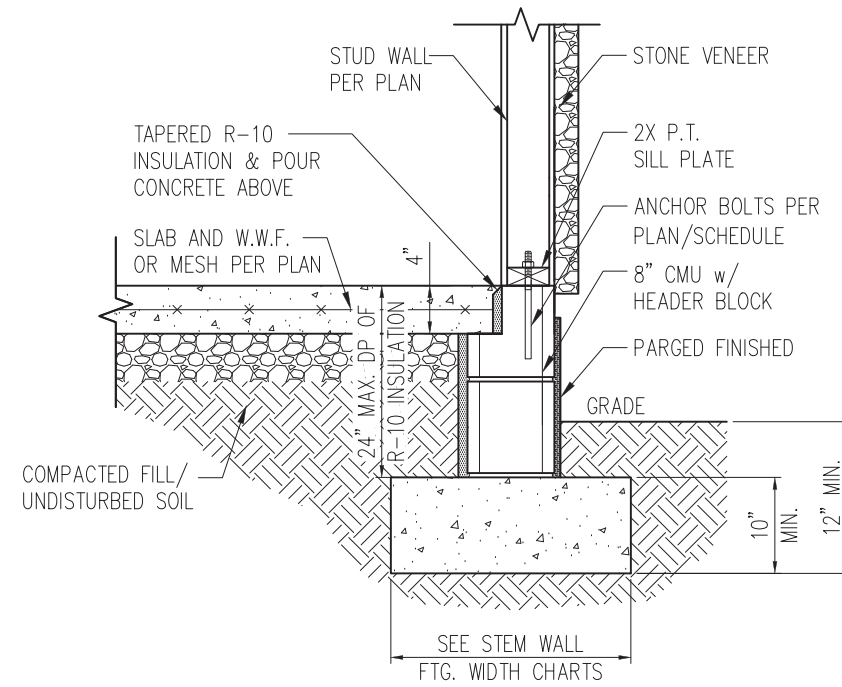


STANDARD - BRICK

1 TYP. STEM WALL DETAIL  
D1s 3/4" = 1'-0"



STANDARD - SIDING



STANDARD - STONE

1a STEM WALL DETAIL w/ PARGED FINISH  
D1s 3/4" = 1'-0"

STEM WALL FOOTING WIDTH

# OF STORIES	WIDTH BASED ON SOIL BEARING CAPACITY		
	1500 PSF	2000 PSF	2500 PSF
1 STORY - STD.	16"	16"	16"
1 STORY - BRICK VENEER	21"*	21"*	21"*
2 STORY - STD.	20"	16"	16"
2 STORY - BRICK VENEER	25"*	21"*	21"*

\*5" BRICK LEDGE HAS BEEN ADDED TO THE STEM WALL FOOTING WIDTH FOR BRICK SUPPORT

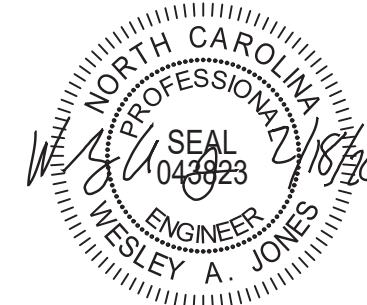
WALL ANCHOR SCHEDULE

TYPE OF ANCHOR	MIN. CONC. EMBEDMENT	SPACING EMBEDMENT	INTERIOR WALL	EXTERIOR WALL
1/2" A307 BOLTS w/ STD. 90° BEND	7"	6'-0"	YES	YES
SST - MAS	4"	5'-0"	NO	YES
HILTI KWIK BOLT KBI 1/2-2-3/4	2-1/4"	6'-0"	YES	NO
1/2" HILTI THREADED ROD w/ HIT HY150 ADHESIVE	7"	6'-0"	YES	YES

NOTE: INSTALL ALL ANCHORS 12" MAX. FROM ALL BOTTOM PLATE ENDS AND JOINTS.

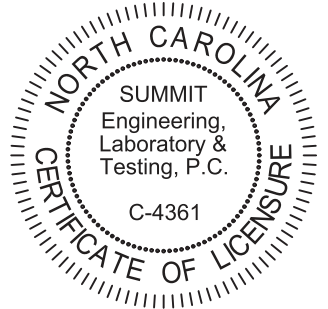
NOTES:

- REFER TO GENERAL NOTES & SPECIFICATIONS ON SHEET CS2 FOR ADDITIONAL INFORMATION.
- PROVIDE 6 MIL VAPOR BARRIER UNDER ALL SLABS-ON-GRADE.
- SEE ARCH. DWGS. FOR ALL TOP OF THE SLAB ELEVATIONS, SLOPS AND DEPRESSIONS.



STRUCTURAL MEMBERS ONLY

**SUMMIT**  
ENGINEERING LABORATORY TESTING  
3070 HAMMOND BUSINESS PLACE,  
SUITE 171, RALEIGH, NC 27603  
OFFICE: 919.380.9991  
FAX: 919.380.9993  
WWW.SUMMIT-COMPANIES.COM



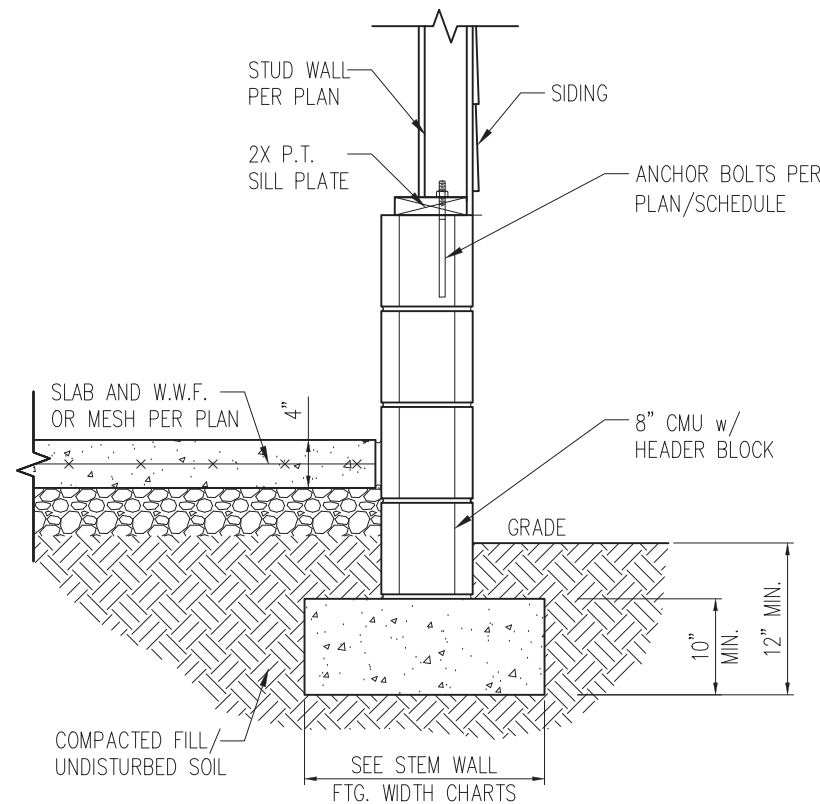
PROJECT  
**Standard Details**  
**Stemwall Details**  
CLIENT  
**Smith Douglas Homes**  
110 Village Trail, Suite 215  
Woodstock, GA 30188

CURRENT DRAWING  
DATE: 2/18/20  
SCALE: NTS  
PROJECT #: 3832  
DRAWN BY: LBV  
CHECKED BY: WAJ

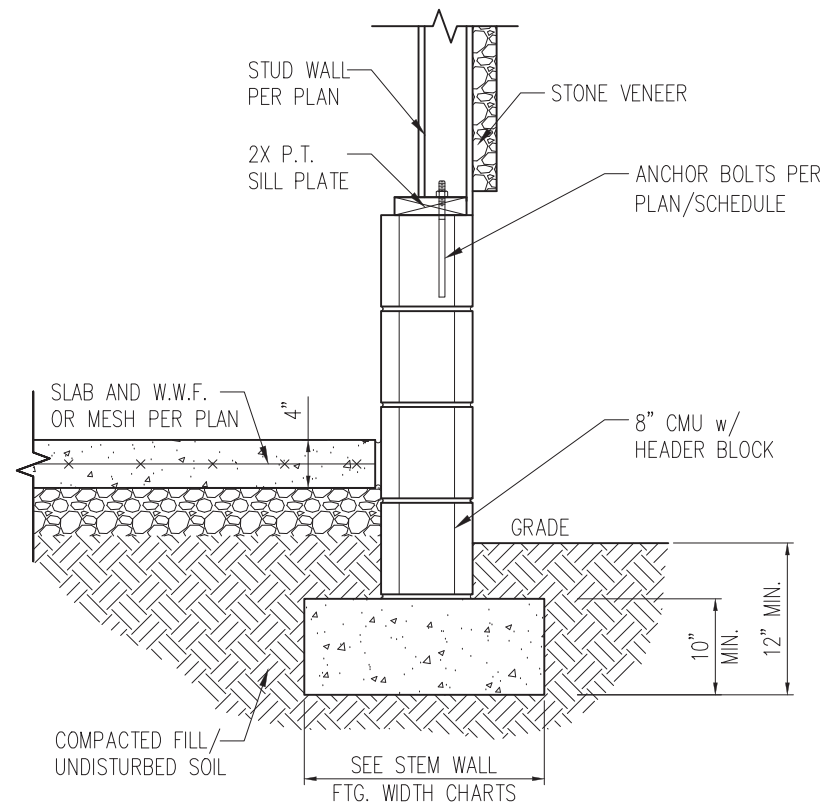
ORIGINAL DRAWING  
NO. DATE PROJECT #  
0 1/7/16 3832

REFER TO COVER SHEET FOR A COMPLETE LIST OF REVISIONS

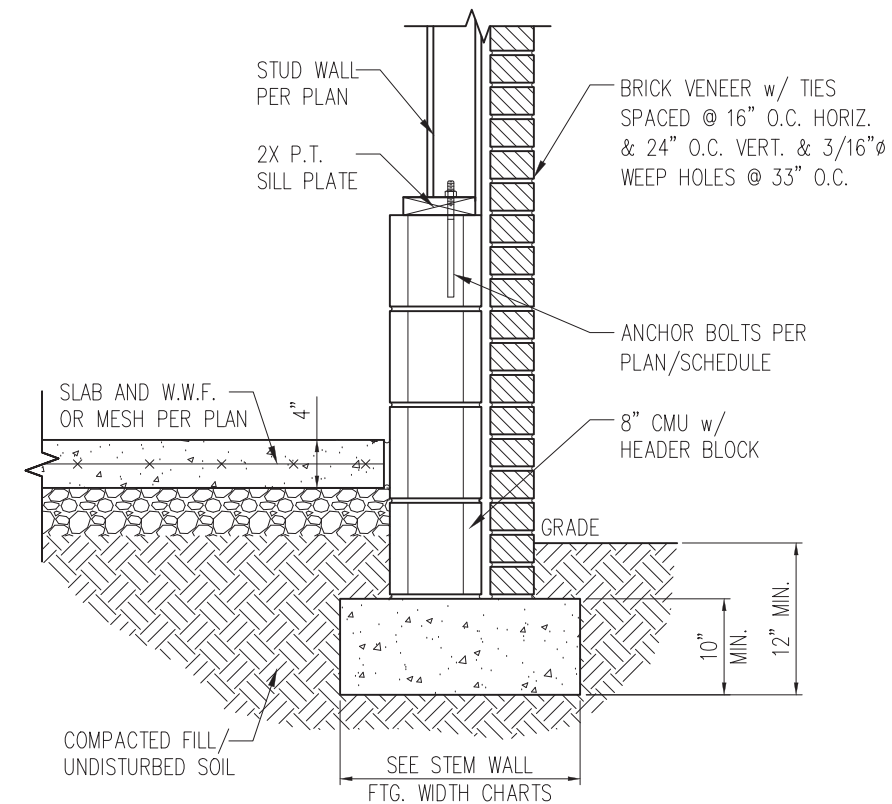
SHEET  
**D1s**



STANDARD - SIDING

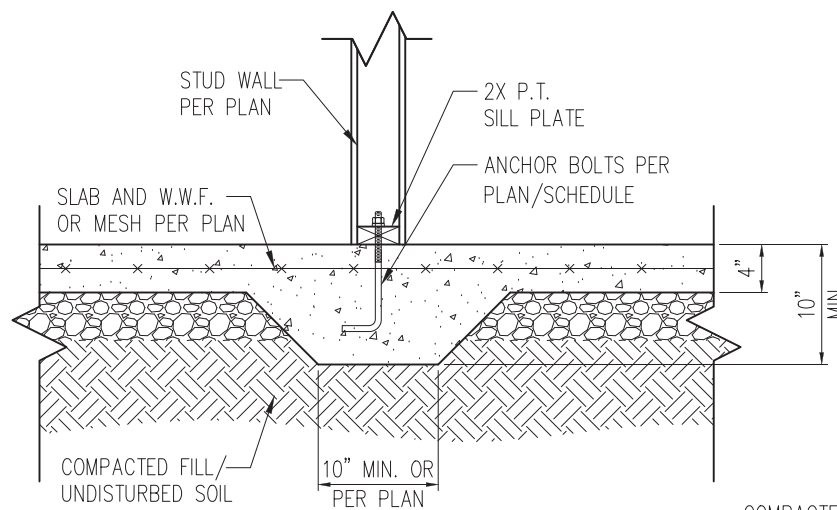


STANDARD - STONE

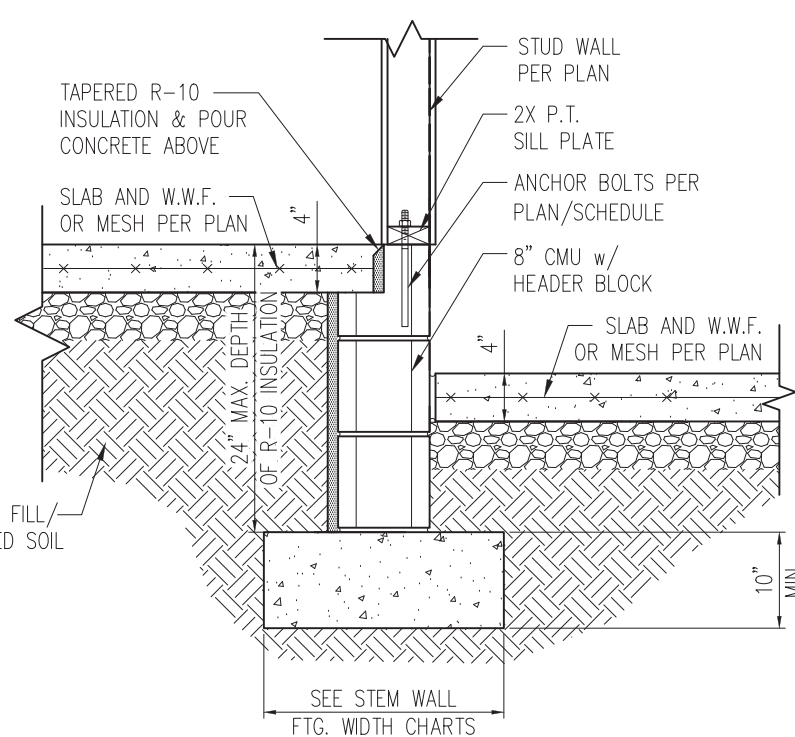


STANDARD - BRICK

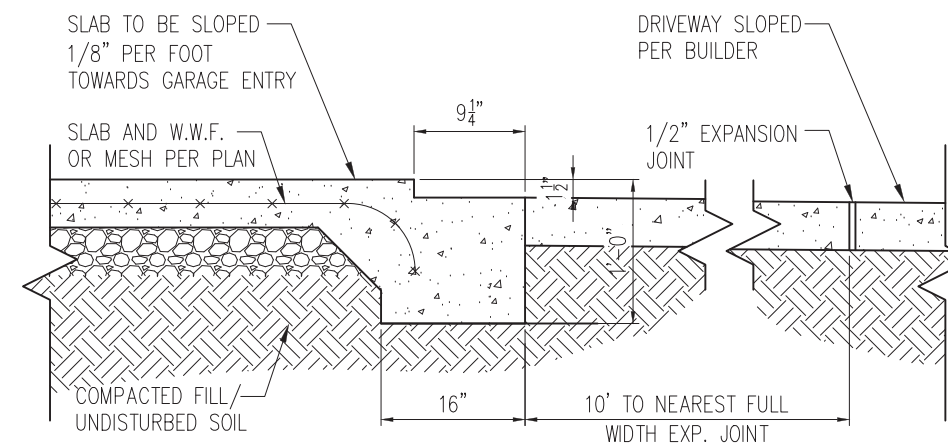
1 TYP. GARAGE CURB DETAIL  
D2s 3/4" = 1'-0"



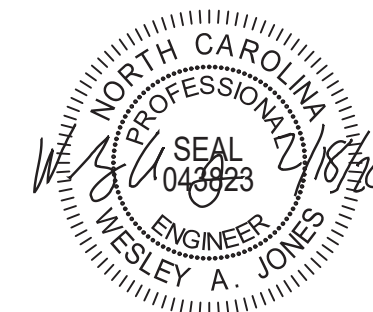
2 TYP. THICKENED SLAB DETAIL  
D2s 3/4" = 1'-0"



3 HOUSE/GARAGE WALL DETAIL  
D2s 3/4" = 1'-0"

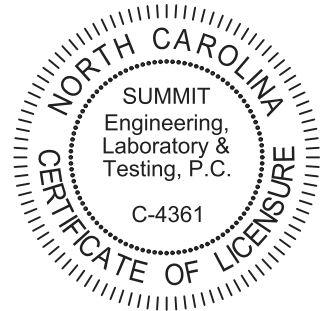


4 SLAB AT GARAGE DOOR  
D2s 3/4" = 1'-0"



STRUCTURAL MEMBERS ONLY

**SUMMIT**  
ENGINEERING LABORATORY TESTING  
3070 HAMMOND BUSINESS PLACE,  
SUITE 171, RALEIGH, NC 27603  
OFFICE: 919.380.9991  
FAX: 919.380.9993  
WWW.SUMMIT-COMPANIES.COM



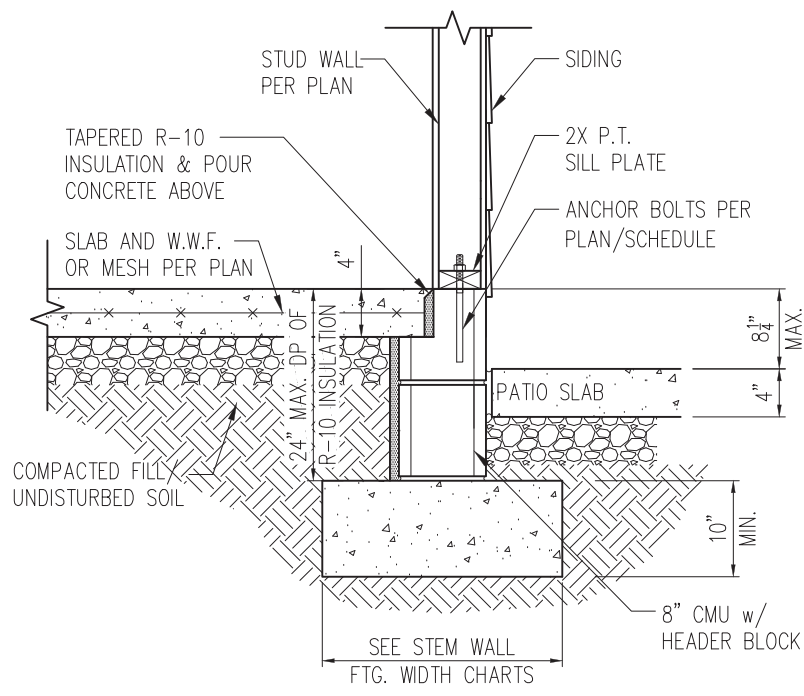
PROJECT  
**Standard Details**  
**Stemwall Details**  
CLIENT  
Smith Douglas Homes  
110 Village Trail, Suite 215  
Woodstock, GA 30188

CURRENT DRAWING		
DATE: 2/18/20		
SCALE: NTS		
PROJECT #: 3832		
DRAWN BY: LBV		
CHECKED BY: WAJ		
ORIGINAL DRAWING		
NO.	DATE	PROJECT #
0	1/7/16	3832

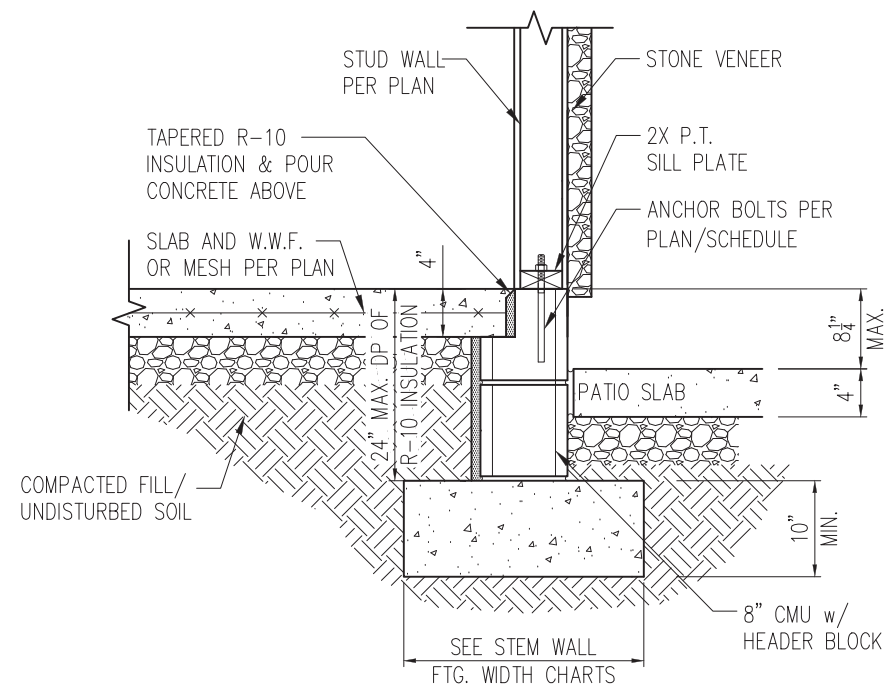
REFER TO COVER SHEET FOR A COMPLETE LIST OF REVISIONS

SHEET  
**D2s**

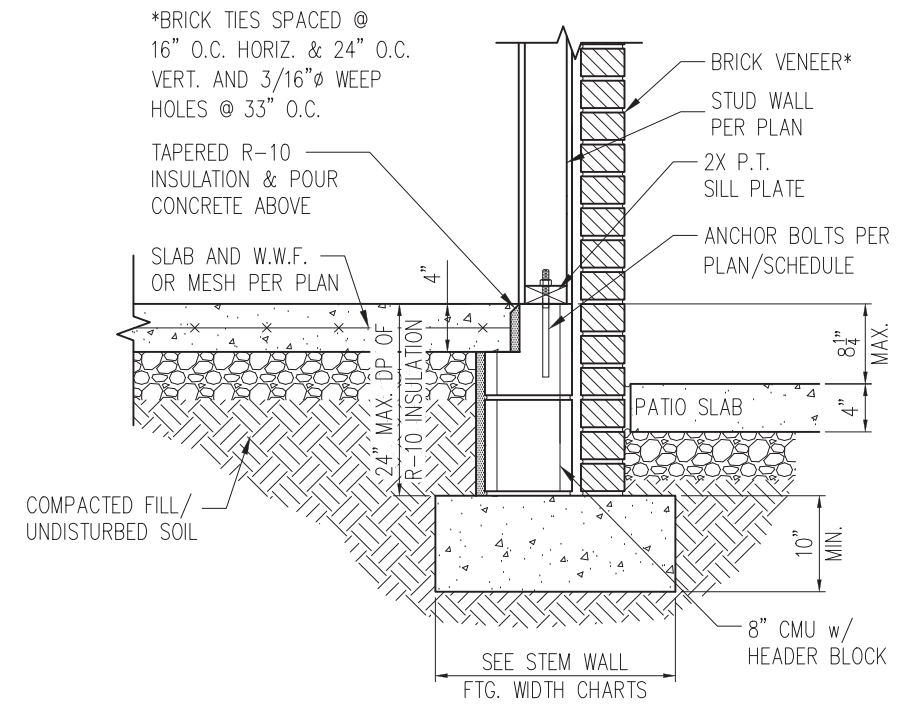
- NOTES:
- REFER TO GENERAL NOTES & SPECIFICATIONS ON SHEET CS2 FOR ADDITIONAL INFORMATION.
  - PROVIDE 6 MIL VAPOR BARRIER UNDER ALL SLABS-ON-GRADE.
  - SEE ARCH. DWGS. FOR ALL TOP OF THE SLAB ELEVATIONS, SLOPES AND DEPRESSIONS.



STANDARD - SIDING

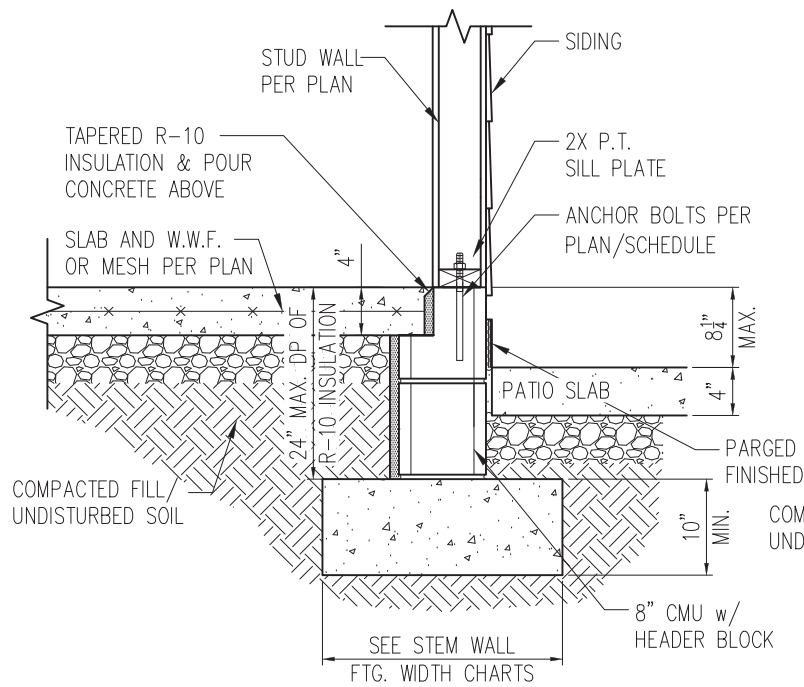


STANDARD - STONE

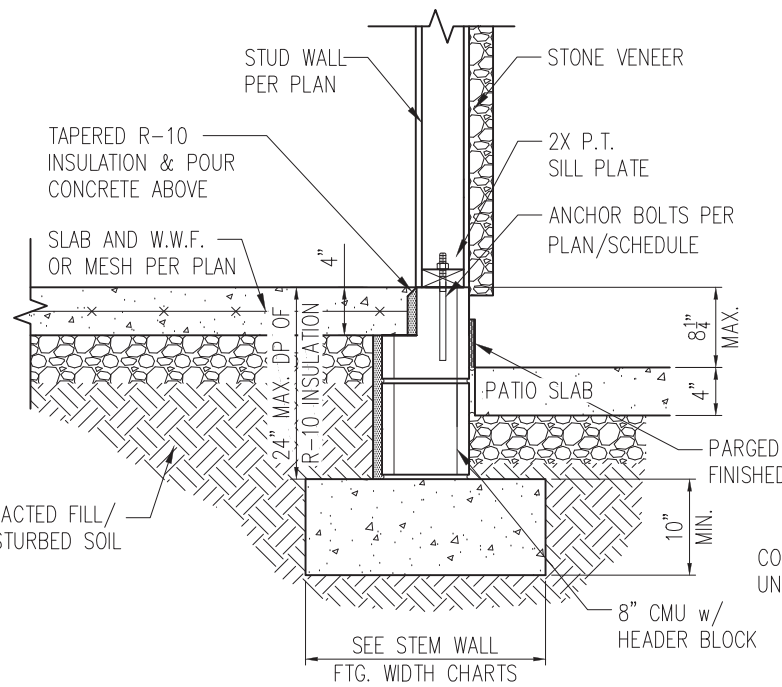


STANDARD - BRICK

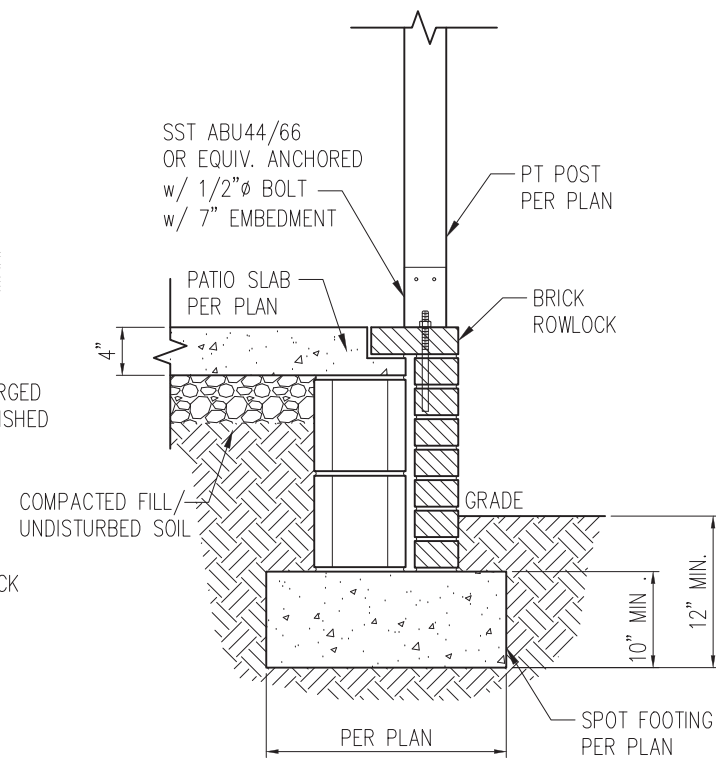
1 PORCH SLAB DETAIL  
D3s 3/4" = 1'-0"



STANDARD - SIDING

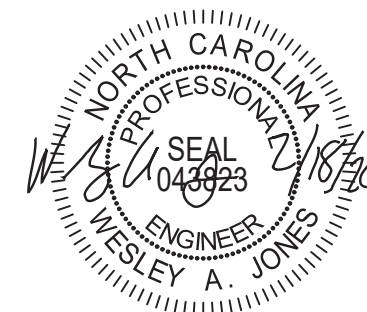


STANDARD - STONE



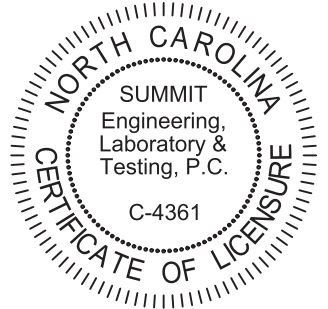
2 COVERED PORCH DETAIL  
D3s 3/4" = 1'-0"

- NOTES:
1. REFER TO GENERAL NOTES & SPECIFICATIONS ON SHEET CS2 FOR ADDITIONAL INFORMATION.
  2. PROVIDE 6 MIL VAPOR BARRIER UNDER ALL SLABS-ON-GRADE.
  3. SEE ARCH. DWGS. FOR ALL TOP OF THE SLAB ELEVATIONS, SLOPES AND DEPRESSIONS.



STRUCTURAL MEMBERS ONLY

**SUMMIT**  
ENGINEERING LABORATORY TESTING  
3070 HAMMOND BUSINESS PLACE,  
SUITE 171, RALEIGH, NC 27603  
OFFICE: 919.380.9991  
FAX: 919.380.9993  
WWW.SUMMIT-COMPANIES.COM



PROJECT  
**Standard Details**  
**Stemwall Details**  
CLIENT  
**Smith Douglas Homes**  
**110 Village Trail, Suite 215**  
**Woodstock, GA 30188**

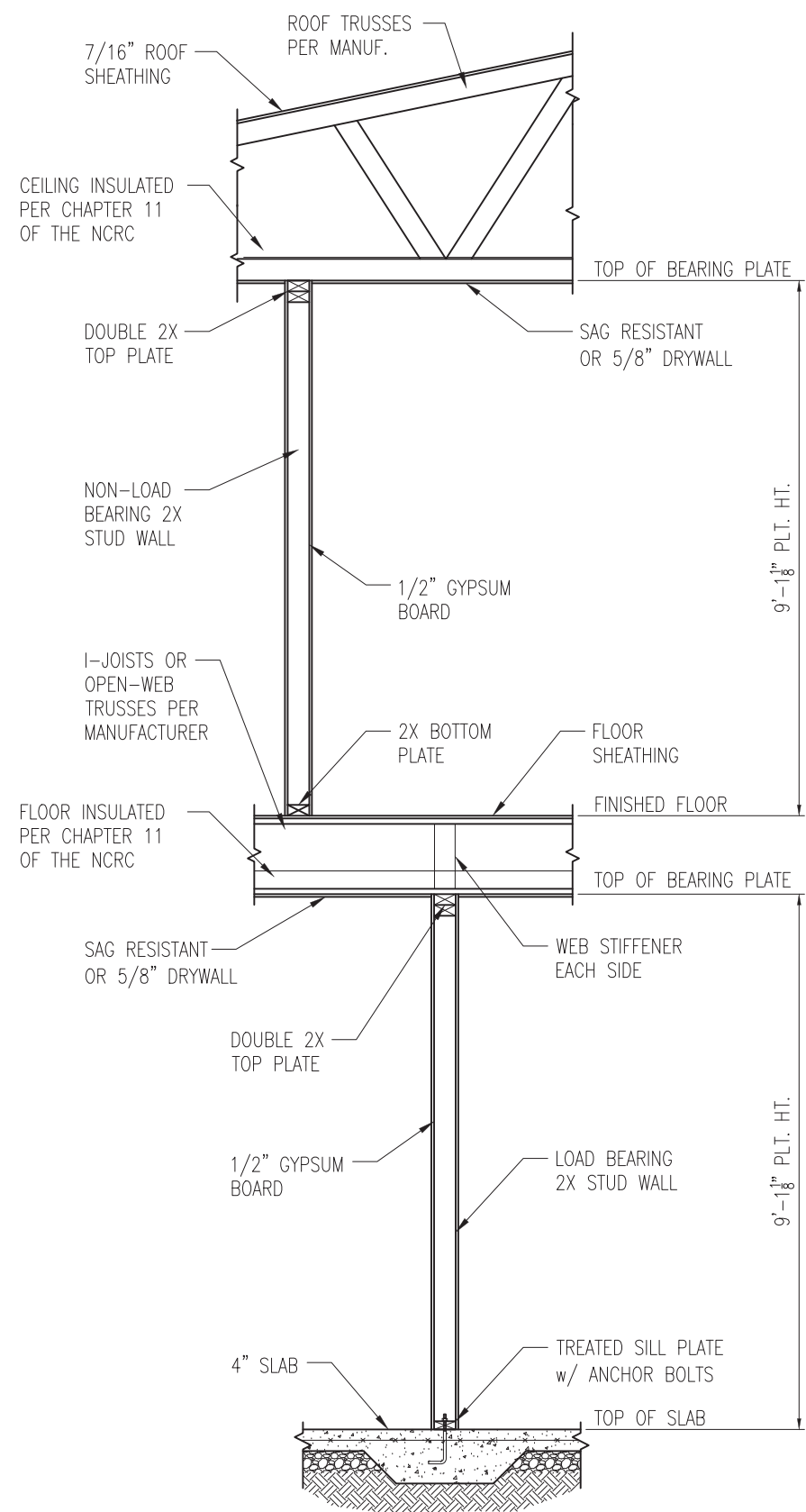
CURRENT DRAWING  
DATE: 2/18/20  
SCALE: NTS  
PROJECT #: 3832  
DRAWN BY: LBV  
CHECKED BY: WAJ

ORIGINAL DRAWING  
NO. DATE PROJECT #  
0 1/7/16 3832

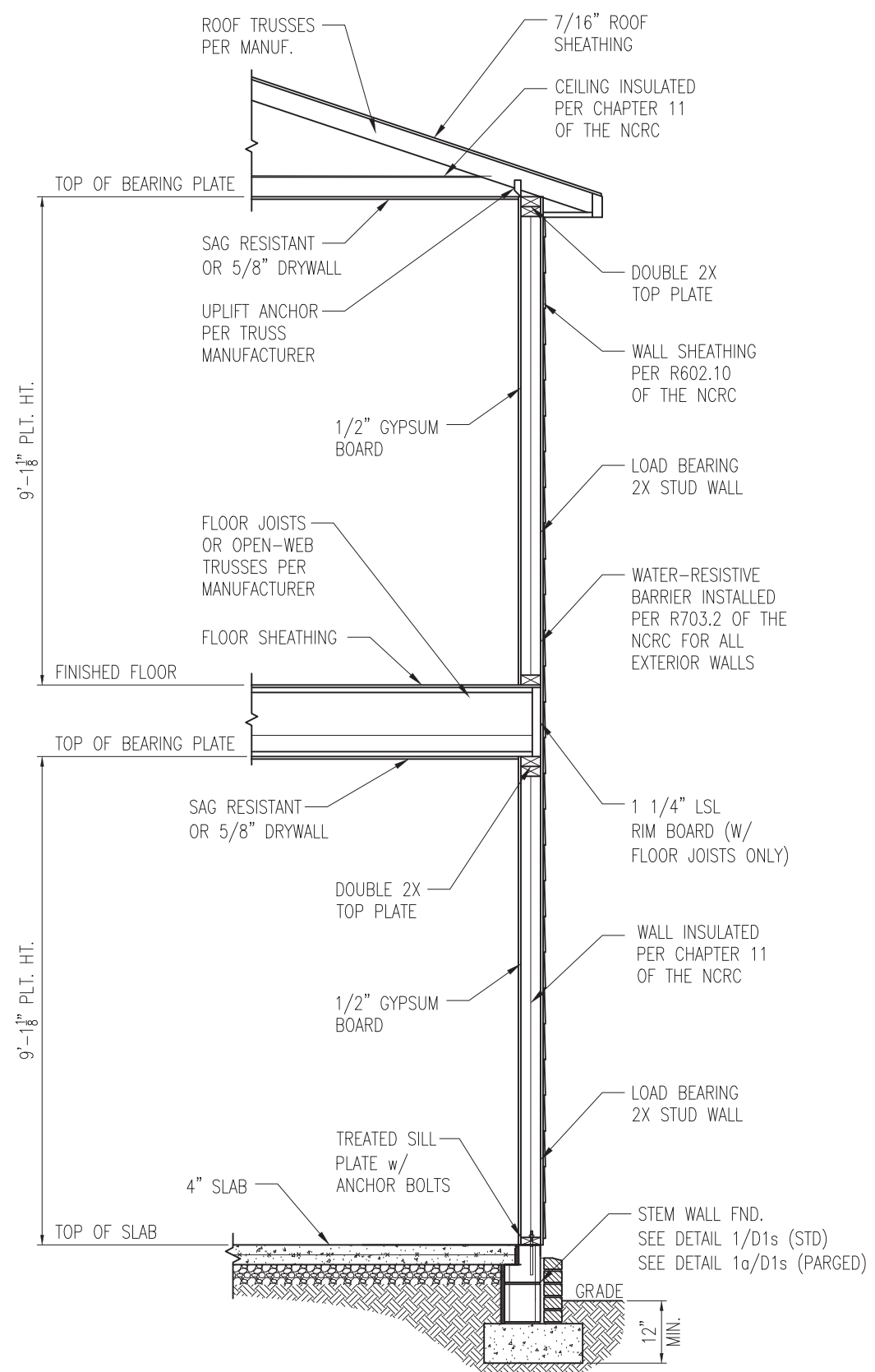
REFER TO COVER SHEET FOR A COMPLETE LIST OF REVISIONS

SHEET  
**D3s**





1 TYP. INTERIOR LOAD BEARING WALL SECTION  
 D4s 3/4" = 1'-0"



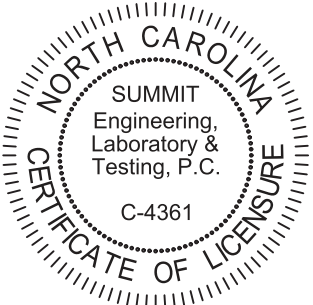
2 TYP. EXTERIOR LOAD BEARING WALL SECTION  
 D4s 3/4" = 1'-0"  
 -SIMILAR w/ BRICK AND STONE  
 -BRICK TIES SPACED @ 16" O.C. HORIZ. & 24" O.C. VERT.  
 -MIN. 3/16" Ø WEEP HOLES @ 33" O.C.

- NOTES:
1. REFER TO GENERAL NOTES & SPECIFICATIONS ON SHEET CS2 FOR ADDITIONAL INFORMATION.
  2. PROVIDE 6 MIL VAPOR BARRIER UNDER ALL SLABS-ON-GRADE.
  3. SEE ARCH. DWGS. FOR ALL TOP OF THE SLAB ELEVATIONS, SLOPES AND DEPRESSIONS.



STRUCTURAL MEMBERS ONLY

**SUMMIT**  
 ENGINEERING LABORATORY TESTING  
 3070 HAMMOND BUSINESS PLACE,  
 SUITE 171, RALEIGH, NC 27603  
 OFFICE: 919.380.9991  
 FAX: 919.380.9993  
 WWW.SUMMIT-COMPANIES.COM



PROJECT  
**Standard Details**  
**Stemwall Details**  
 CLIENT  
**Smith Douglas Homes**  
 110 Village Trail, Suite 215  
 Woodstock, GA 30188

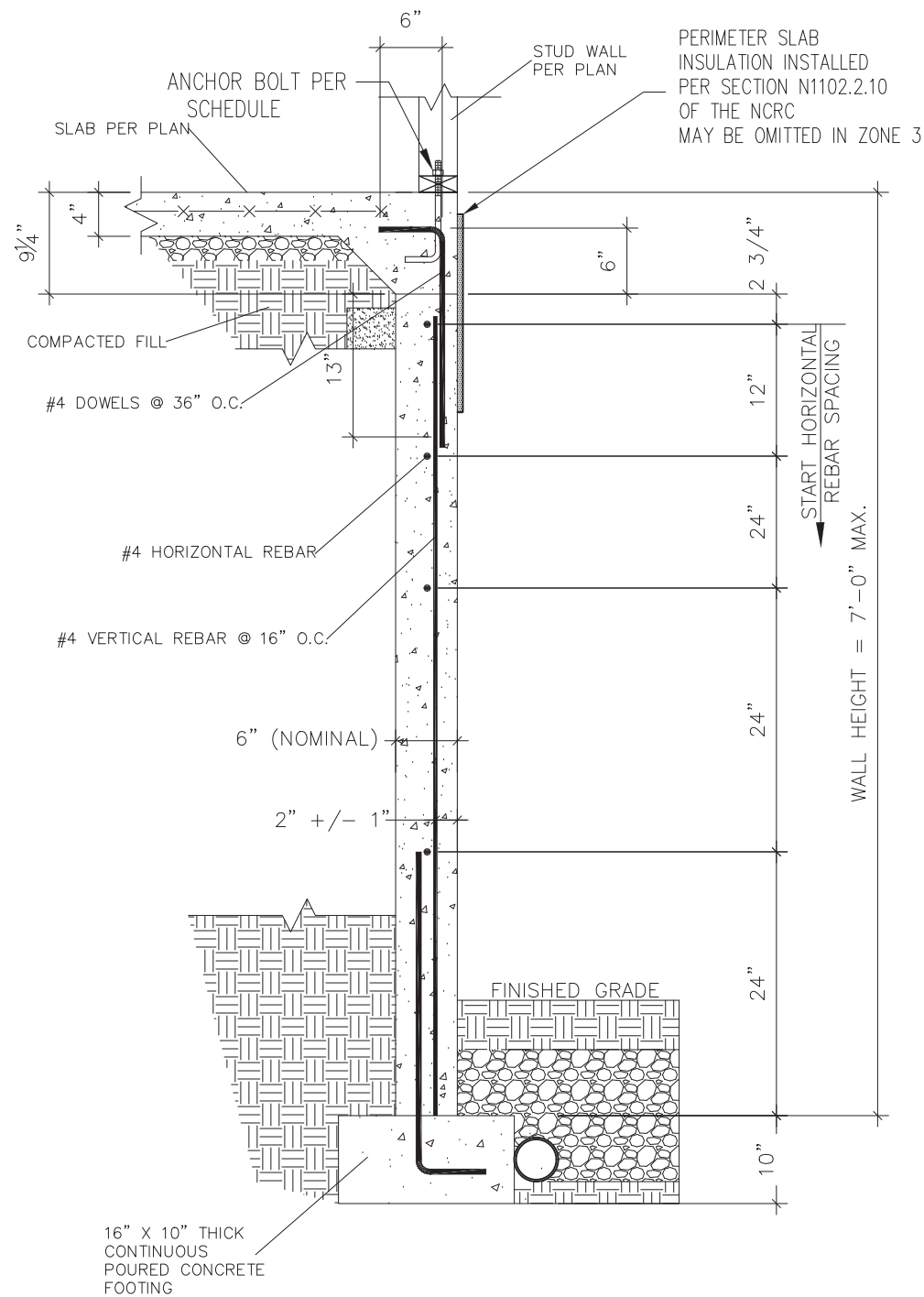
CURRENT DRAWING  
 DATE: 2/18/20  
 SCALE: NTS  
 PROJECT #: 3832  
 DRAWN BY: LBV  
 CHECKED BY: WAJ

ORIGINAL DRAWING  
 NO. DATE PROJECT #  
 0 1/7/16 3832

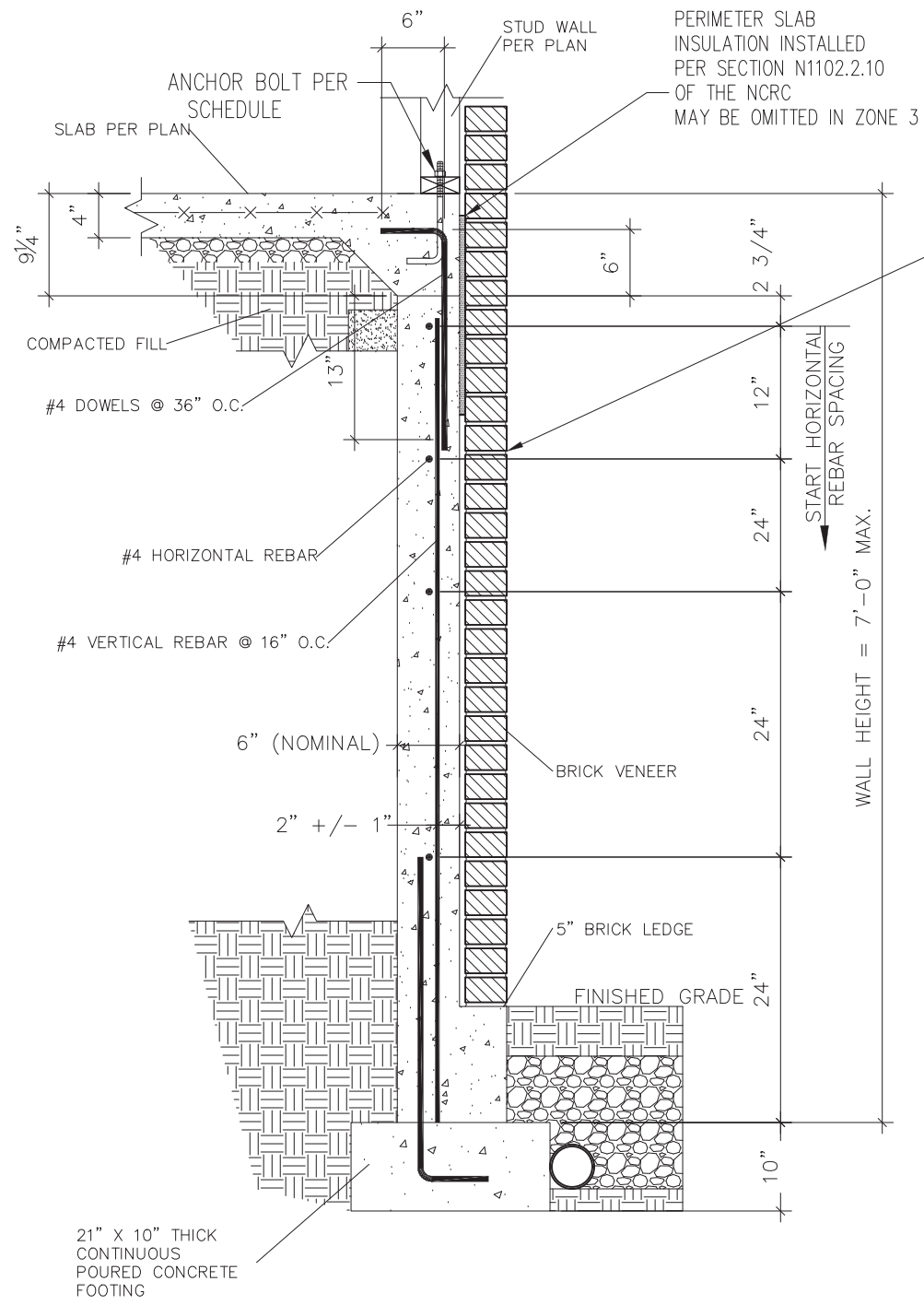
REFER TO COVER SHEET FOR A COMPLETE LIST OF REVISIONS

SHEET  
**D4s**





1 SUBWALL FOUNDATION  
 D5s 3/4" = 1'-0"



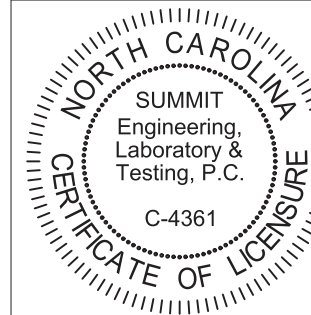
2 SUBWALL FOUNDATION W/ BRICK VENEER  
 D5s 3/4" = 1'-0"

PROVIDE LADDER WIRE OR METAL TIES, INSTALLED PER R608.1.2 OF THE 2012 NCRC, AND FULLY GROUT BETWEEN BRICK AND CONCRETE.



STRUCTURAL MEMBERS ONLY

**SUMMIT**  
 ENGINEERING LABORATORY TESTING  
 3070 HAMMOND BUSINESS PLACE,  
 SUITE 171, RALEIGH, NC 27603  
 OFFICE: 919.380.9991  
 FAX: 919.380.9993  
 WWW.SUMMIT-COMPANIES.COM



PROJECT  
**Standard Details**  
**Stemwall Details**  
 CLIENT  
 Smith Douglas Homes  
 110 Village Trail, Suite 215  
 Woodstock, GA 30188

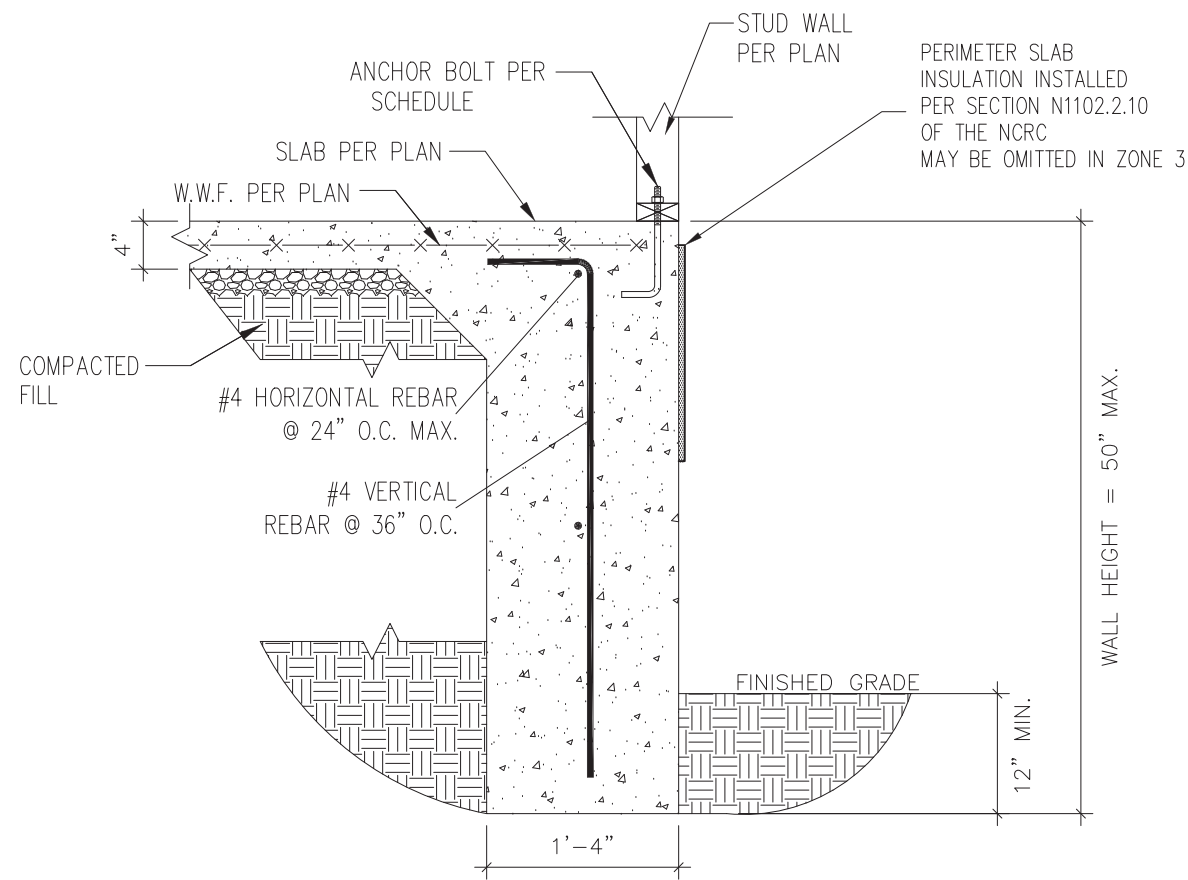
CURRENT DRAWING  
 DATE: 2/18/20  
 SCALE: NTS  
 PROJECT #: 3832  
 DRAWN BY: LBV  
 CHECKED BY: WAJ

ORIGINAL DRAWING  
 NO. DATE PROJECT #  
 0 1/7/16 3832

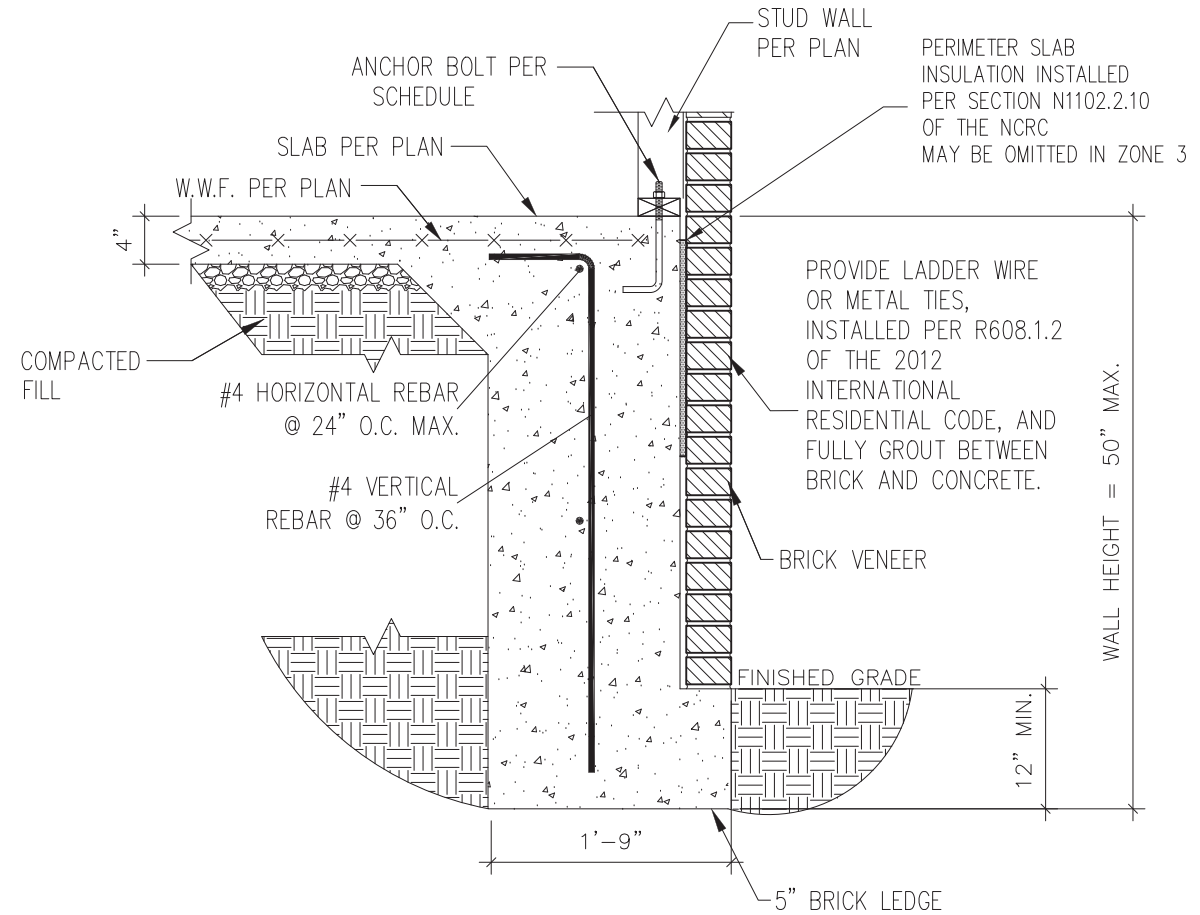
REFER TO COVER SHEET FOR A COMPLETE LIST OF REVISIONS

SHEET

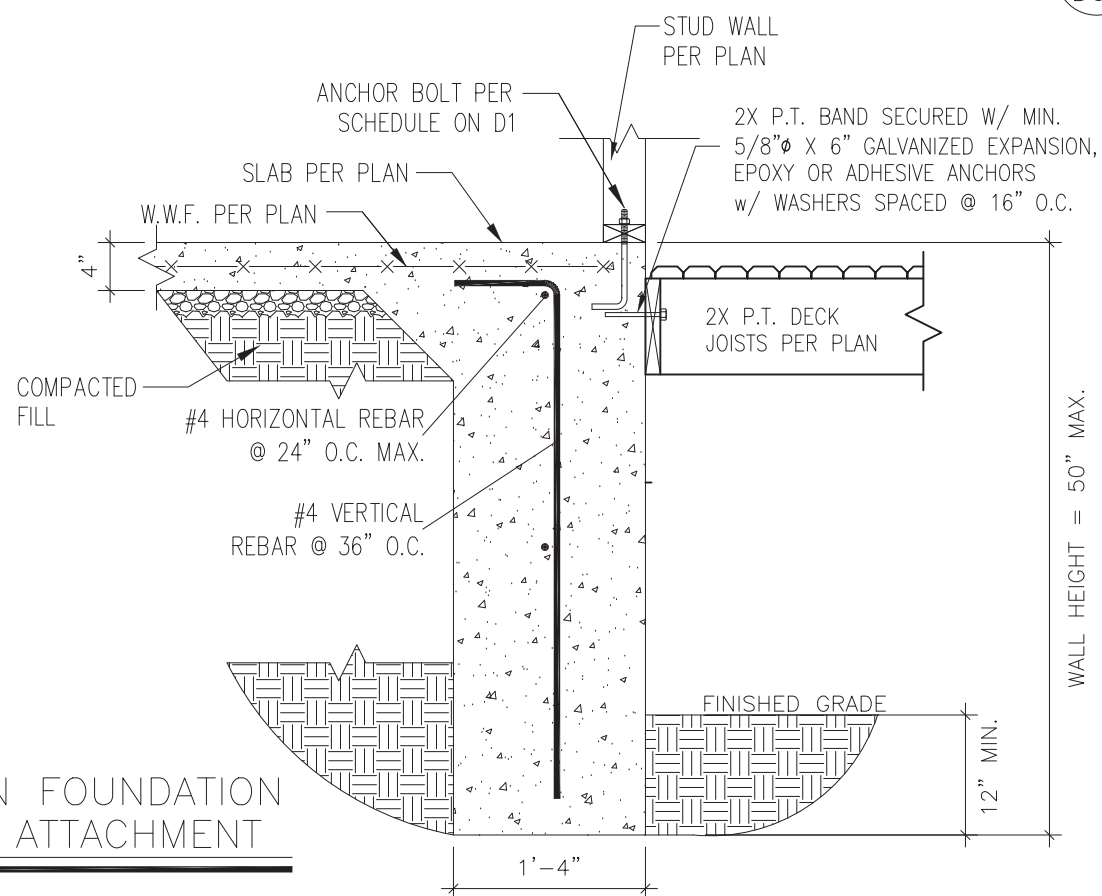
**D5s**



1 TURNDOWN FOUNDATION  
 D6s 3/4" = 1'-0"



2 TURNDOWN FOUNDATION W/ BRICK VENEER  
 D6s 3/4" = 1'-0"

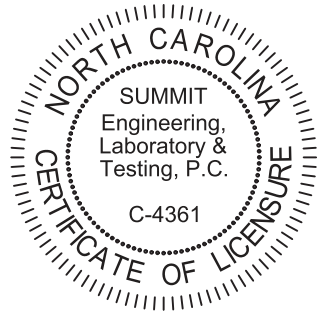


3 TURNDOWN FOUNDATION W/ DECK ATTACHMENT  
 D6s 3/4" = 1'-0"



STRUCTURAL MEMBERS ONLY

**SUMMIT**  
 ENGINEERING LABORATORY TESTING  
 3070 HAMMOND BUSINESS PLACE,  
 SUITE 171, RALEIGH, NC 27603  
 OFFICE: 919.380.9991  
 FAX: 919.380.9993  
 WWW.SUMMIT-COMPANIES.COM



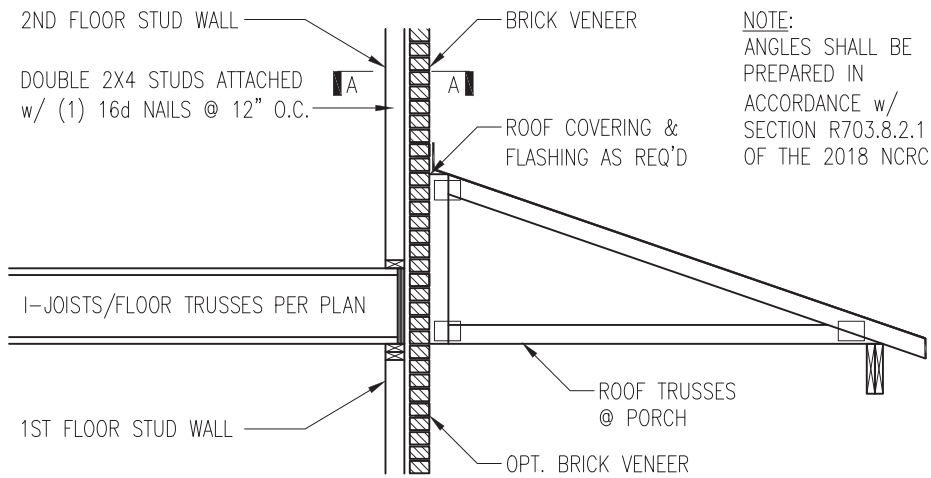
PROJECT  
**Standard Details**  
**Stemwall Details**  
 CLIENT  
**Smith Douglas Homes**  
 110 Village Trail, Suite 215  
 Woodstock, GA 30188

CURRENT DRAWING  
 DATE: 2/18/20  
 SCALE: NTS  
 PROJECT #: 3832  
 DRAWN BY: LBV  
 CHECKED BY: WAJ

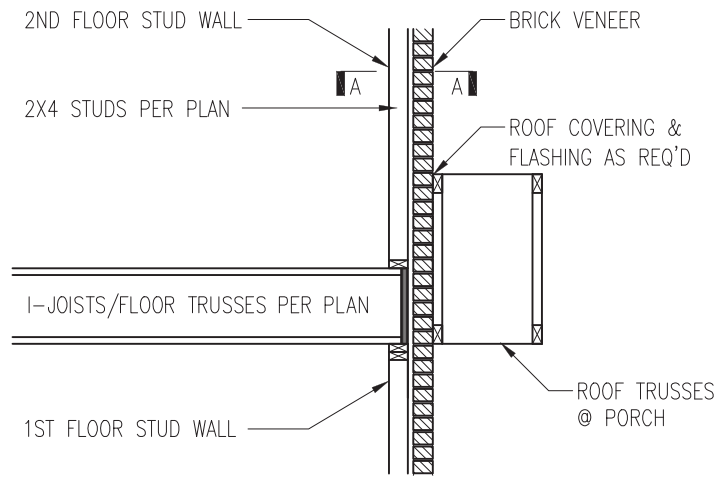
ORIGINAL DRAWING  
 NO. DATE PROJECT #  
 0 1/7/16 3832

REFER TO COVER SHEET FOR A COMPLETE LIST OF REVISIONS

SHEET  
**D6s**



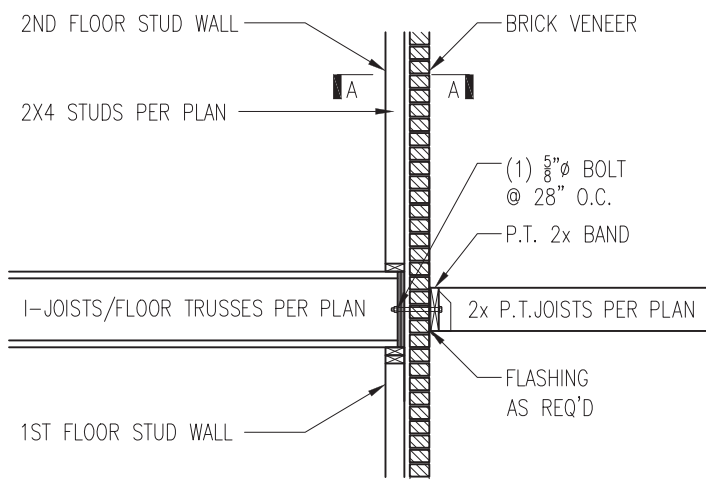
NOTE:  
ANGLES SHALL BE PREPARED IN ACCORDANCE w/ SECTION R703.8.2.1 OF THE 2018 NCRC



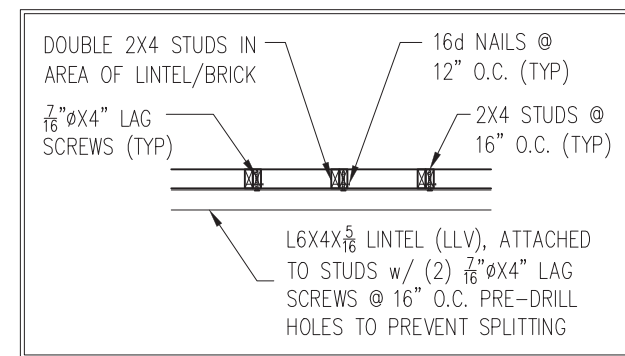
TRUSSES PERPENDICULAR TO STUD WALL

TRUSSES PARALLEL TO STUD WALL w/ CONTINUOUS BRICK VENEER

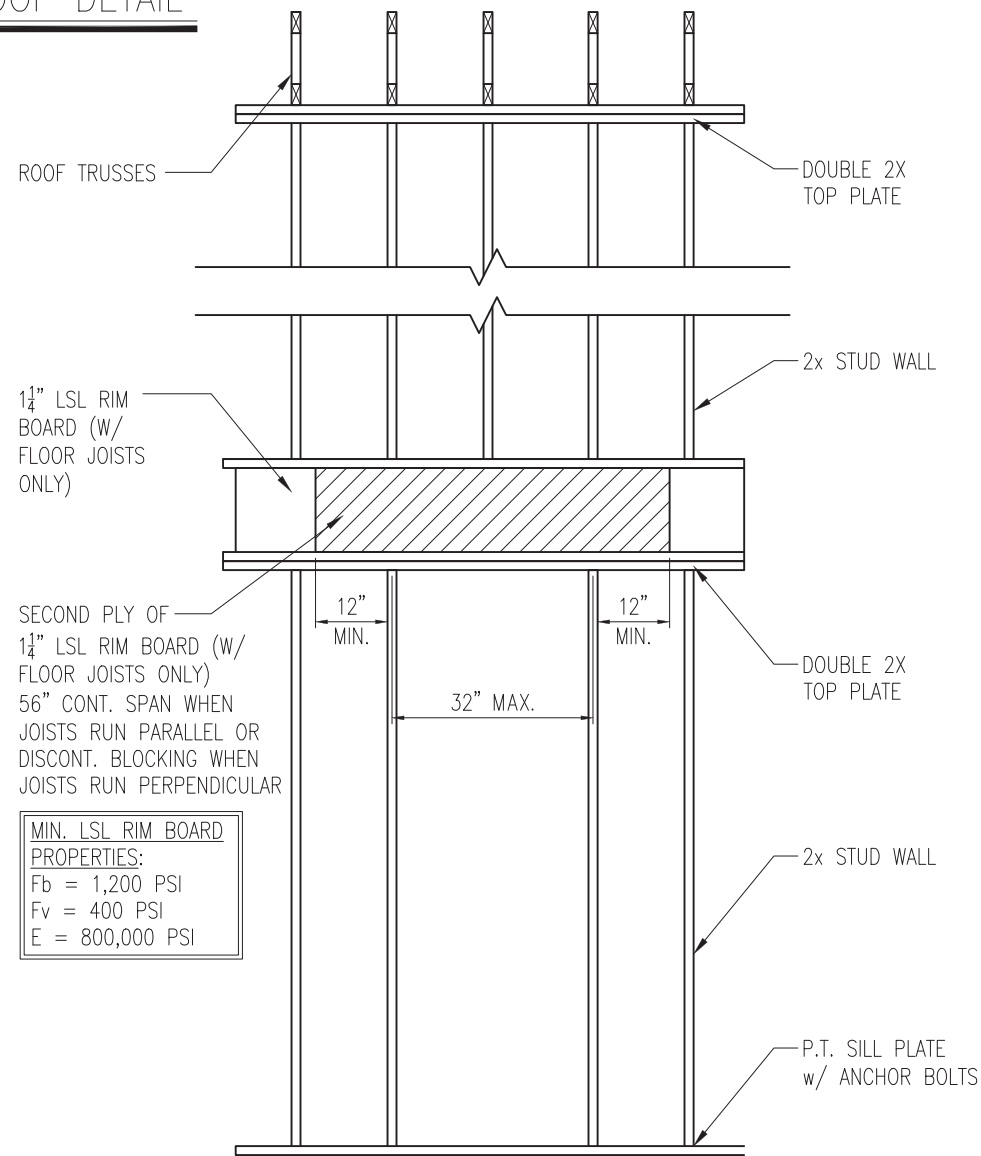
1 BRICK SUPPORT ABOVE STORAGE/PORCH ROOF DETAIL  
D5f NTS



3 BALCONY JOIST ATTACHMENT  
D5f NTS



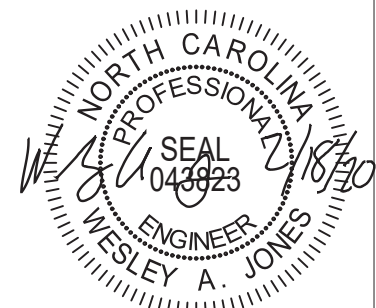
SECTION A-A  
NTS



SECOND PLY OF 1 1/4\"/>

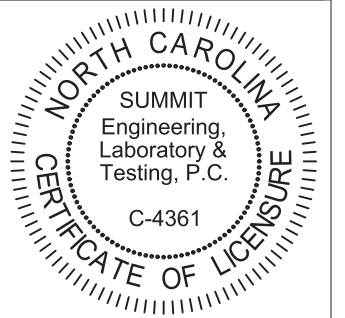
MIN. LSL RIM BOARD  
PROPERTIES:  
Fb = 1,200 PSI  
Fv = 400 PSI  
E = 800,000 PSI

4 TYP. RANGE VENT FRAMING  
D5f VENTED TO EXTERIOR WALL



STRUCTURAL MEMBERS ONLY

**SUMMIT**  
ENGINEERING LABORATORY TESTING  
3070 HAMMOND BUSINESS PLACE,  
SUITE 171, RALEIGH, NC 27603  
OFFICE: 919.380.9991  
FAX: 919.380.9993  
WWW.SUMMIT-COMPANIES.COM



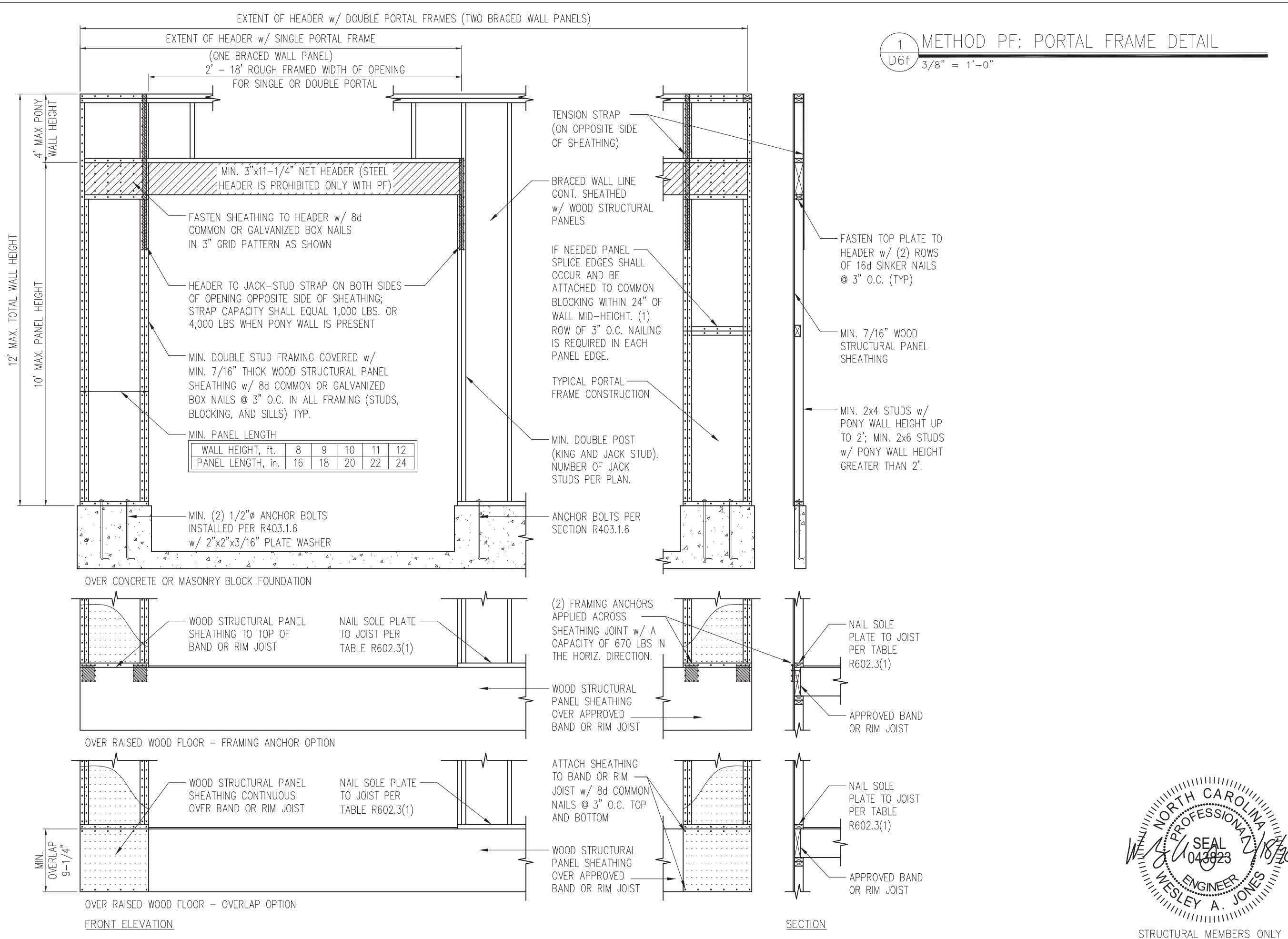
PROJECT  
Standard Details  
Framing Details  
CLIENT  
Smith Douglas Homes  
110 Village Trail, Suite 215  
Woodstock, GA 30188

CURRENT DRAWING  
DATE: 2/18/20  
SCALE: NTS  
PROJECT #: 3832  
DRAWN BY: LBV  
CHECKED BY: WAJ

ORIGINAL DRAWING  
NO. DATE PROJECT #  
0 1/7/16 3832

REFER TO COVER SHEET FOR A COMPLETE LIST OF REVISIONS

SHEET  
**D5f**



1 METHOD PF: PORTAL FRAME DETAIL  
D6f 3/8" = 1'-0"

**SUMMIT**  
ENGINEERING LABORATORY TESTING  
3070 HAMMOND BUSINESS PLACE,  
SUITE 171, RALEIGH, NC 27603  
OFFICE: 919.380.9991  
FAX: 919.380.9993  
WWW.SUMMIT-COMPANIES.COM

NORTH CAROLINA  
SUMMIT  
Engineering,  
Laboratory &  
Testing, P.C.  
C-4361  
CERTIFICATE OF LICENSURE

PROJECT  
**Standard Details**  
**Framing Details - Bracing**

CLIENT  
**Smith Douglas Homes**  
**110 Village Trail, Suite 215**  
**Woodstock, GA 30188**

CURRENT DRAWING  
DATE: 2/18/20  
SCALE: NTS  
PROJECT #: 3832  
DRAWN BY: LBV  
CHECKED BY: WAJ

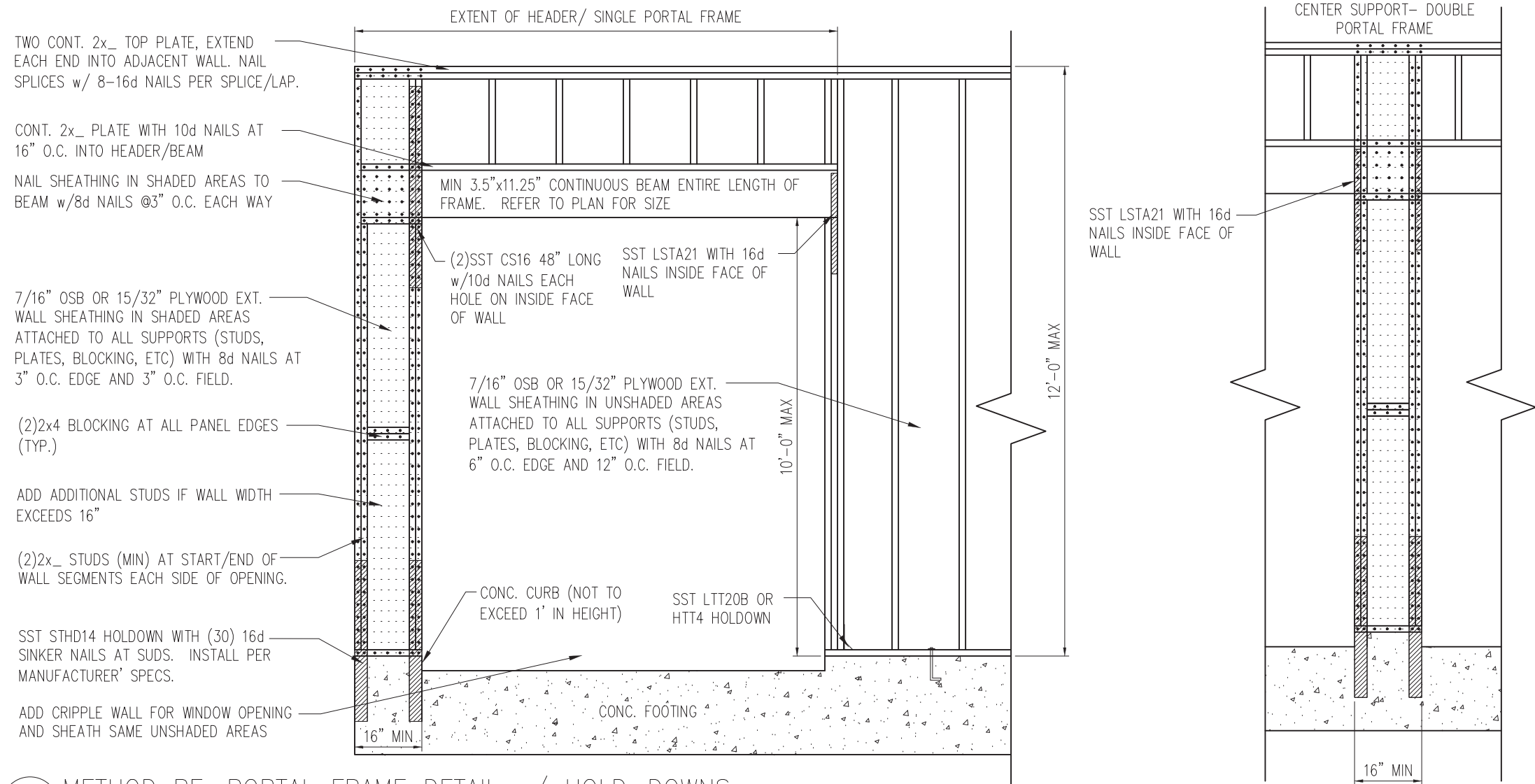
ORIGINAL DRAWING  
NO. DATE PROJECT #  
0 1/7/16 3832

REFER TO COVER SHEET FOR A COMPLETE LIST OF REVISIONS

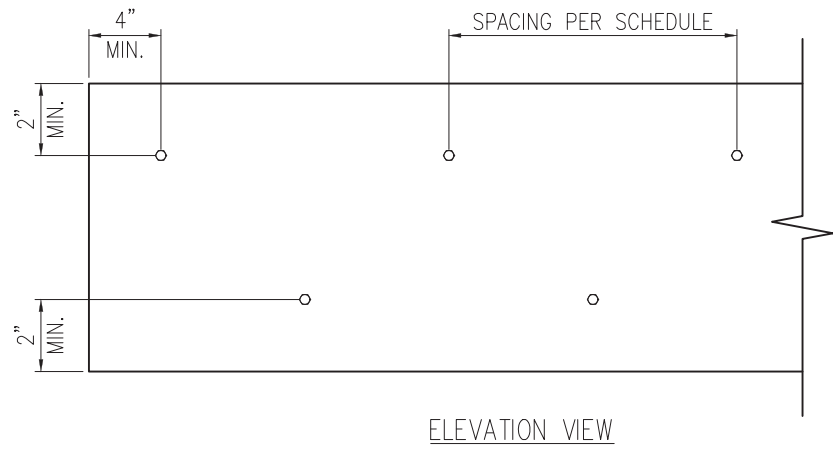
NORTH CAROLINA  
PROFESSIONAL  
ENGINEER  
WESLEY A. JONES  
SEAL  
043823

SHEET  
**D6f**  
STRUCTURAL MEMBERS ONLY





1 METHOD PF: PORTAL FRAME DETAIL w/ HOLD-DOWNS  
 D7f 3/4" = 1'-0"



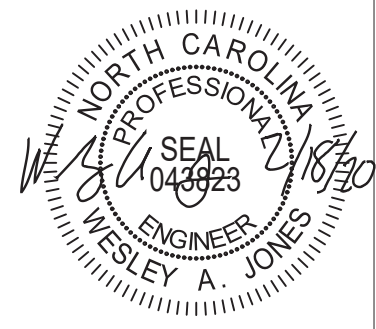
2 MULTI-PLY BEAM CONNECTION DETAIL  
 D7f N.T.S

**MINIMUM FASTENING REQUIREMENTS FOR TOP- AND SIDE-LOADED MEMBERS**

FASTENER TYPE	LVL DEPTH	3/4" WIDE		5/4" WIDE		7" WIDE	
		2-Ply 1 3/4"	3-Ply 1 3/4"	1 3/4" + 3 1/2"	4-Ply 1 3/4"	2-Ply 1 3/4" + 3 1/2"	2-Ply 3 1/2"
10d (0.128" x 3") Nails	7 1/4" ≤ d < 14"	3 rows @ 12" o.c.	3 rows @ 12" o.c. (ES)	3 rows @ 12" o.c.	-	3 rows @ 12" o.c. (ES)	-
	d ≥ 14"	4 rows @ 12" o.c.	4 rows @ 12" o.c. (ES)	4 rows @ 12" o.c.	-	4 rows @ 12" o.c. (ES)	-
16d (0.162" x 3 1/2") Nails	7 1/4" ≤ d < 14"	2 rows @ 12" o.c.	2 rows @ 12" o.c. (ES)	2 rows @ 12" o.c.	-	2 rows @ 12" o.c. (ES)	-
	d ≥ 14"	3 rows @ 12" o.c.	3 rows @ 12" o.c. (ES)	3 rows @ 12" o.c.	-	3 rows @ 12" o.c. (ES)	-
1/2" Through Bolts	d ≥ 7 1/4"	2 rows @ 24" o.c.	2 rows @ 24" o.c.		2 rows @ 24" o.c.		-
SDS 1/4" x 3 1/2", WS35, 3 3/8" TrussLok		2 rows @ 24" o.c.	2 rows @ 24" o.c. (ES)	2 rows @ 24" o.c.	-	2 rows @ 24" o.c. (ES)	-
SDS 1/4" x 6", WS6		-	-	-	2 rows @ 24" o.c. (ES)		-
5" TrussLok		-	2 rows @ 24" o.c.		-		-
6 3/4" TrussLok		-	-	-	2 rows @ 24" o.c.		-

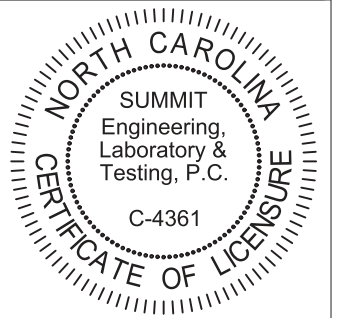
**NOTES:**

- All fasteners must meet the minimum requirements in the table above. Side-loaded multiple-ply members must meet the minimum fastening and side-loading capacity requirements given on page 48.
- Minimum fastening requirements for depths less than 7 1/4" require special consideration. Please contact your technical representative.
- Three general rules for staggering or offsetting for a certain fastener schedule:
  - If staggering or offsetting is not referenced, then none is required;
  - If staggering is referenced, then fasteners installed in adjacent rows on the front side are to be staggered up to one-half the o.c. spacing, but maintaining the fastener clearances above; and
  - If "ES" is referenced, then the fastener schedule must be repeated on each side, with the fasteners on the back side offset up to one-half the o.c. spacing of the front side (whether or not it is staggered).



STRUCTURAL MEMBERS ONLY

**SUMMIT**  
 ENGINEERING LABORATORY TESTING  
 3070 HAMMOND BUSINESS PLACE,  
 SUITE 171, RALEIGH, NC 27603  
 OFFICE: 919.380.9991  
 FAX: 919.380.9993  
 WWW.SUMMIT-COMPANIES.COM

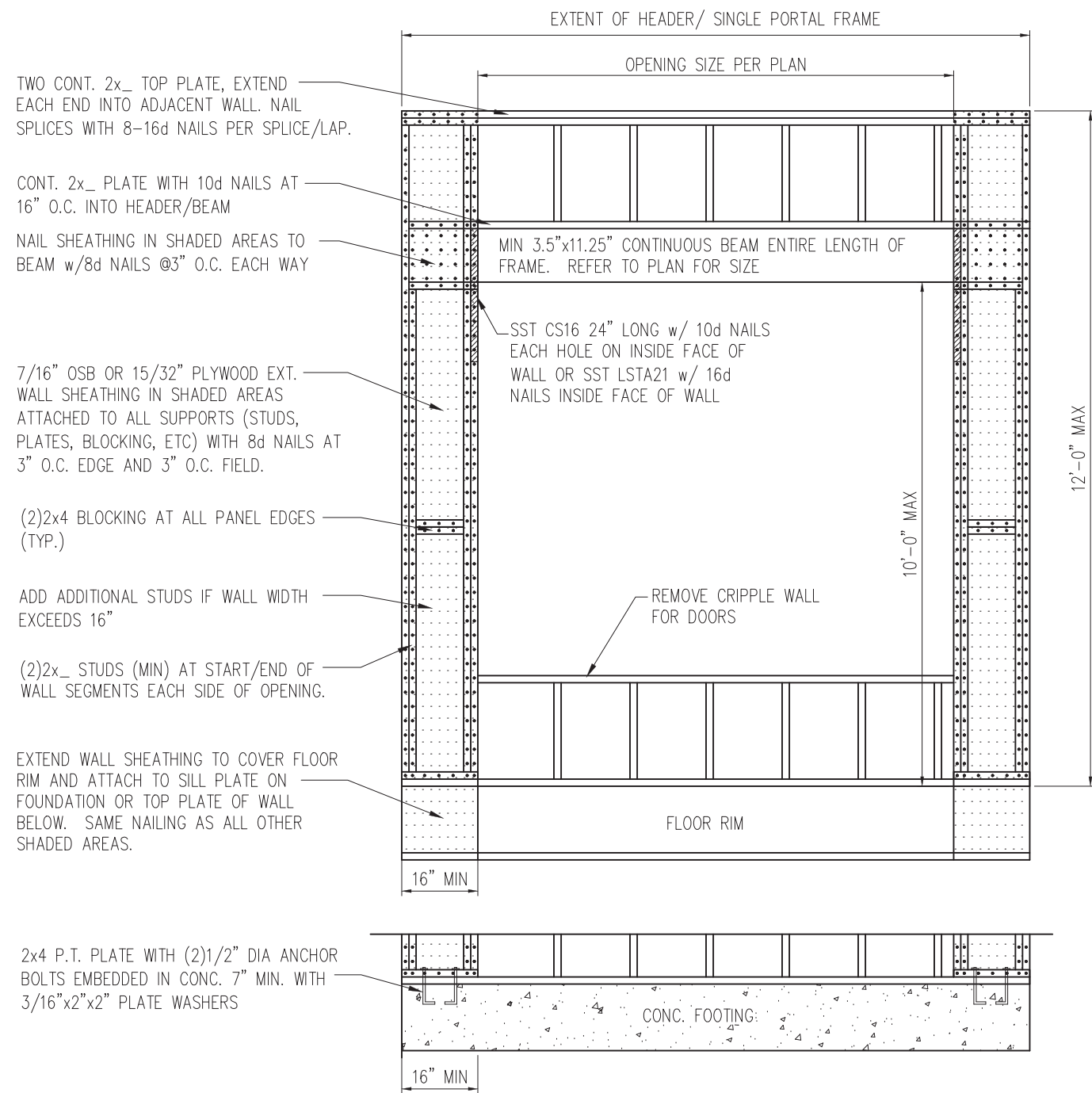


PROJECT  
 Standard Details  
 Framing Details - Bracing  
 CLIENT  
 Smith Douglas Homes  
 110 Village Trail, Suite 215  
 Woodstock, GA 30188

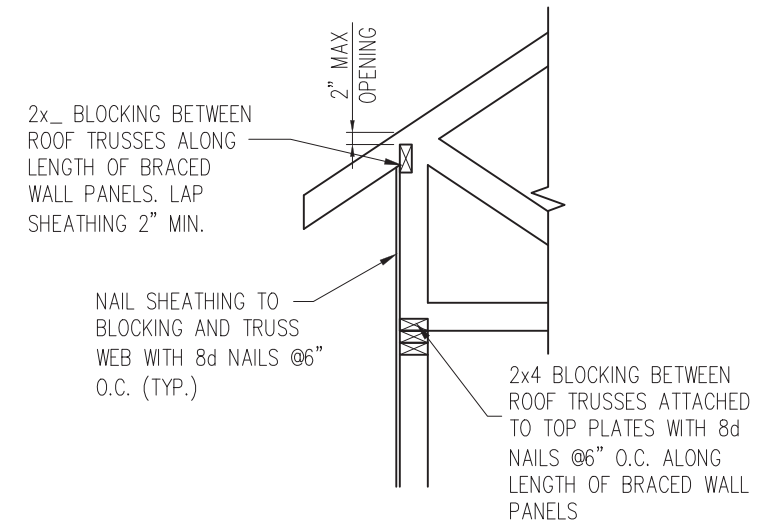
CURRENT DRAWING  
 DATE: 2/18/20  
 SCALE: NTS  
 PROJECT #: 3832  
 DRAWN BY: LBV  
 CHECKED BY: WAJ  
 ORIGINAL DRAWING  
 NO. DATE PROJECT #  
 0 1/7/16 3832

REFER TO COVER SHEET FOR A COMPLETE LIST OF REVISIONS

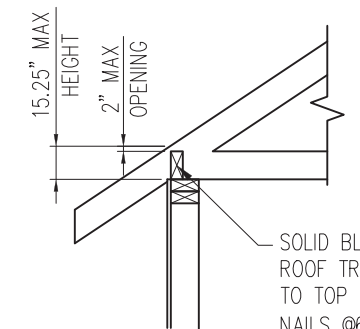
SHEET  
**D7f**



1 METHOD PF: PORTAL FRAME DETAIL  
 D8f 3/4" = 1'-0" OPENINGS UNDER 8'-0"



HEEL HEIGHT GREATER THAN 15.25"



HEEL HEIGHT LESS THAN 15.25" \*

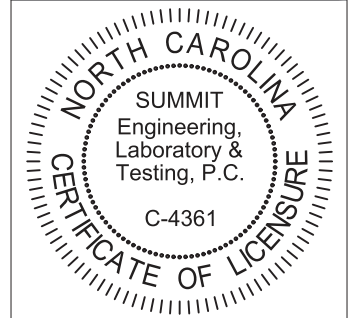
\*BLOCKING IS NOT REQUIRED WITH HEEL HEIGHTS LESS THAN 9.25"

2 TYP. WALL PANEL TO ROOF TRUSS CONNECTION  
 D8f 1" = 1'-0"



STRUCTURAL MEMBERS ONLY

**SUMMIT**  
 ENGINEERING LABORATORY TESTING  
 3070 HAMMOND BUSINESS PLACE,  
 SUITE 171, RALEIGH, NC 27603  
 OFFICE: 919.380.9991  
 FAX: 919.380.9993  
 WWW.SUMMIT-COMPANIES.COM



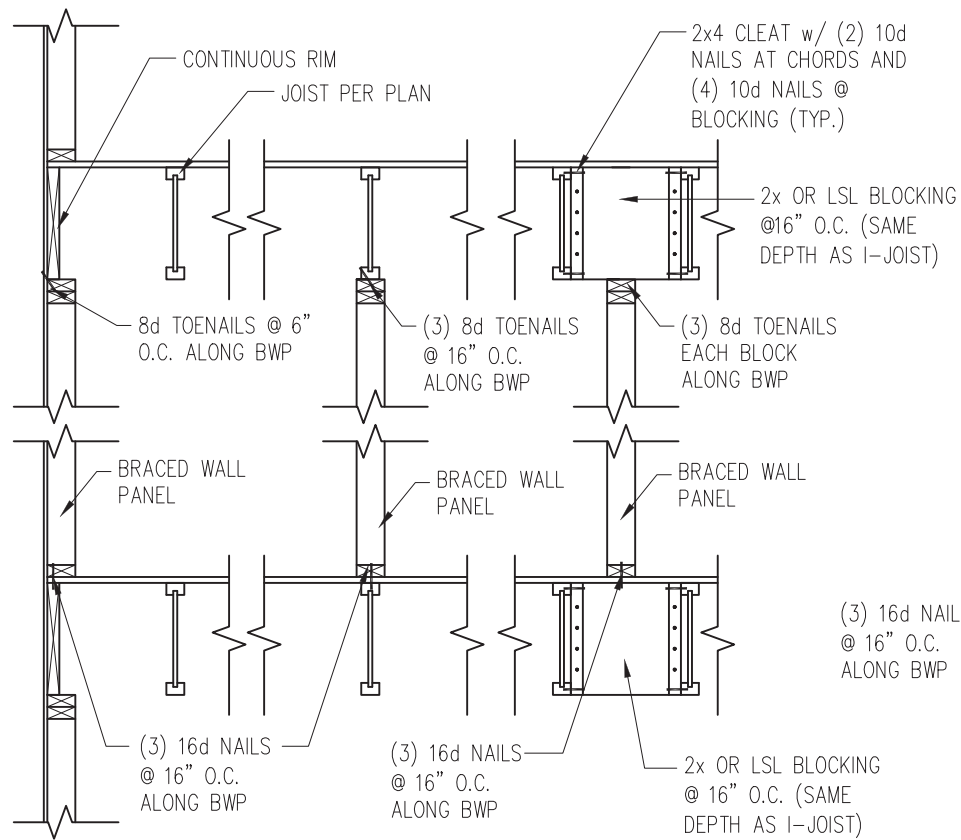
PROJECT  
**Standard Details - Bracing**  
**Framing Details - Bracing**  
 CLIENT  
**Smith Douglas Homes**  
 110 Village Trail, Suite 215  
 Woodstock, GA 30188

CURRENT DRAWING  
 DATE: 2/18/20  
 SCALE: NTS  
 PROJECT #: 3832  
 DRAWN BY: LBV  
 CHECKED BY: WAJ

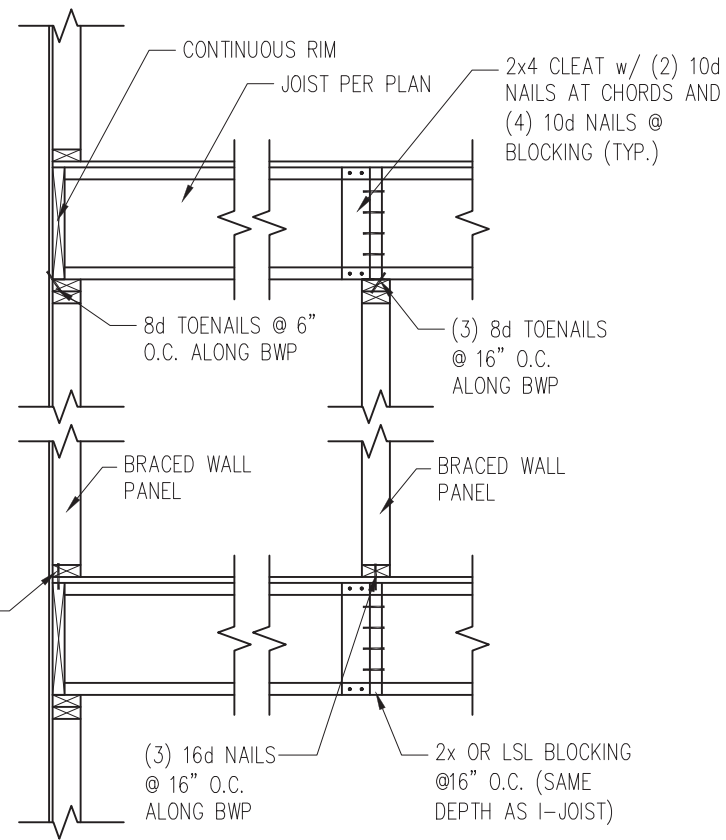
ORIGINAL DRAWING  
 NO. DATE PROJECT #  
 0 1/7/16 3832

REFER TO COVER SHEET FOR A COMPLETE LIST OF REVISIONS

SHEET  
**D8f**

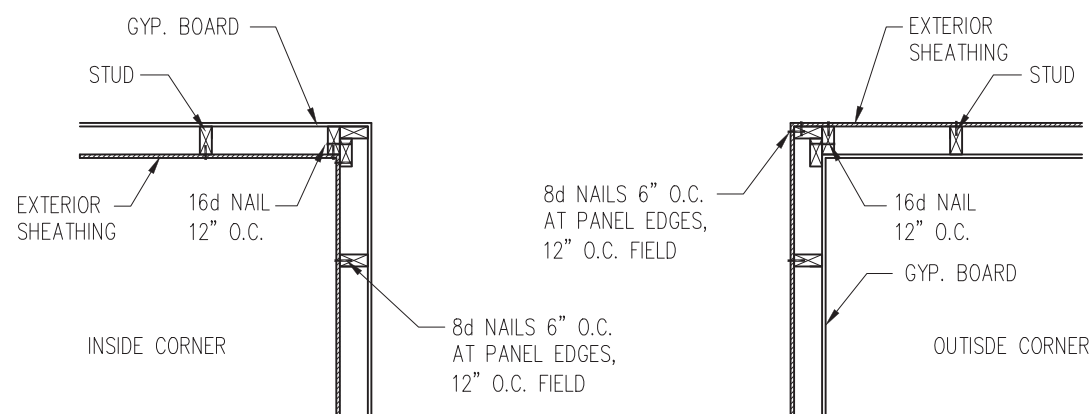


JOISTS PARALLEL TO BRACED WALLS



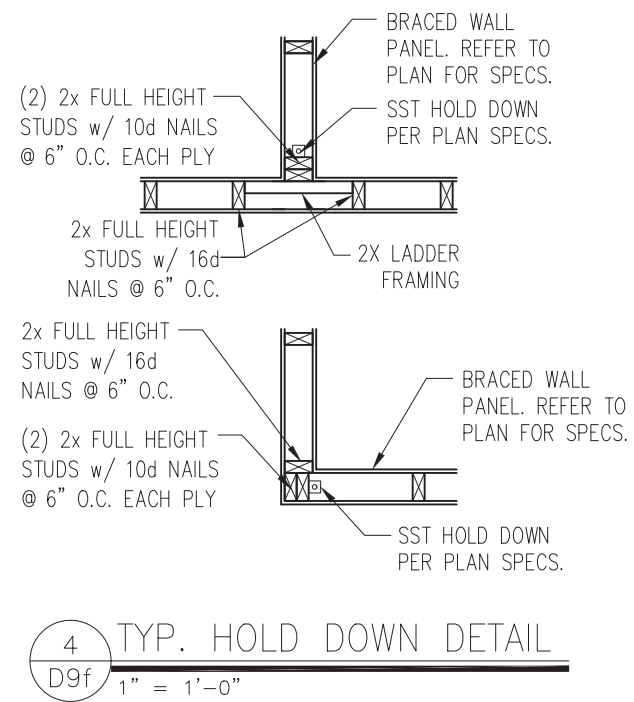
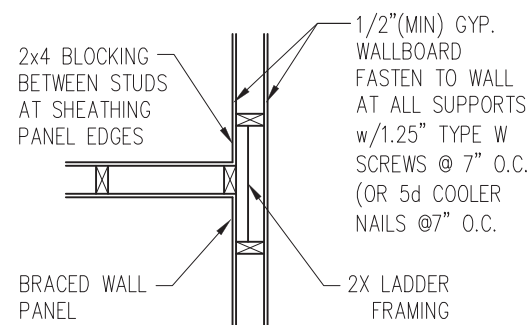
JOISTS PERPENDICULAR TO BRACED WALLS

1 TYP. WALL PANEL TO FLOOR/CEILING CONNECTION  
D9f 1" = 1'-0"



2 TYP. EXTERIOR CORNER FRAMING  
D9f 1" = 1'-0"

3 INTERIOR 3-STUD WALL INTERSECTION  
D9f 1" = 1'-0"

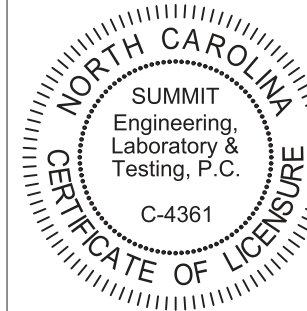


4 TYP. HOLD DOWN DETAIL  
D9f 1" = 1'-0"



STRUCTURAL MEMBERS ONLY

**SUMMIT**  
ENGINEERING LABORATORY TESTING  
3070 HAMMOND BUSINESS PLACE,  
SUITE 171, RALEIGH, NC 27603  
OFFICE: 919.380.9991  
FAX: 919.380.9993  
WWW.SUMMIT-COMPANIES.COM



PROJECT  
**Standard Details**  
**Framing Details - Bracing**  
CLIENT  
**Smith Douglas Homes**  
110 Village Trail, Suite 215  
Woodstock, GA 30188

CURRENT DRAWING  
DATE: 2/18/20  
SCALE: NTS  
PROJECT #: 3832  
DRAWN BY: LBV  
CHECKED BY: WAJ

ORIGINAL DRAWING  
NO. DATE PROJECT #  
0 1/7/16 3832

REFER TO COVER SHEET FOR A COMPLETE LIST OF REVISIONS

SHEET

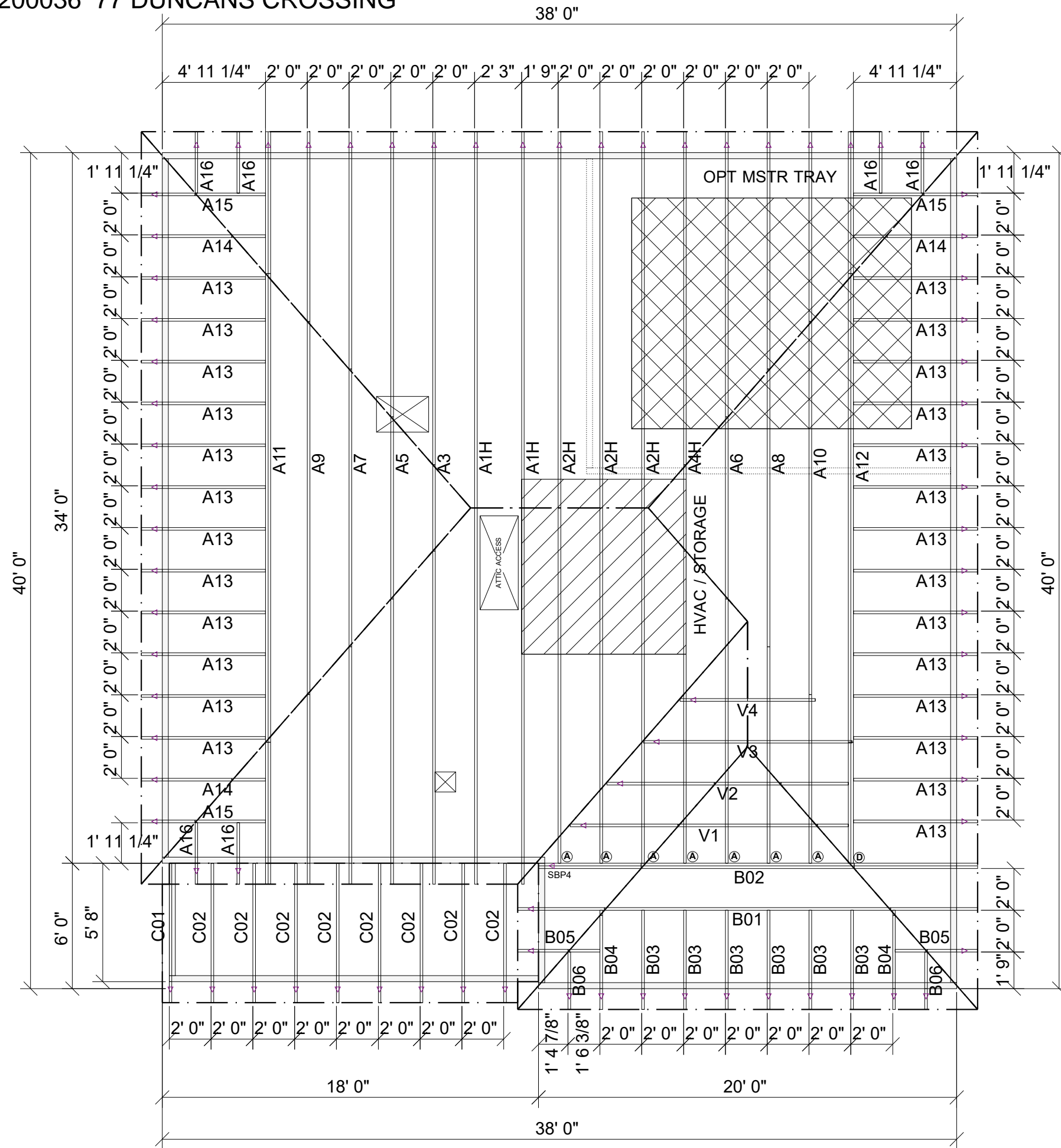
**D9f**





TRUSS TO WALL CONNECTIONS, IF SHOWN, ARE FOR UPLIFT ONLY AND DO NOT CONSIDER LATERAL LOADS. ALL CONNECTORS ON THIS PROJECT ARE TO BE INSTALLED PER THE CONNECTOR MANUFACTURER'S SPECIFICATIONS. ALL CONNECTORS SHOWN THAT ARE NOT "TRUSS TO TRUSS" ARE SUGGESTIONS ONLY AND ARE TO BE VERIFIED BY THE BUILDING DESIGNER OR ENGINEER OF RECORD FOR SUITABILITY TO THIS PARTICULAR PROJECT. UFP MID-ATLANTIC, LLC. ACCEPTS NO RESPONSIBILITY FOR THE SPECIFIC APPLICATION OR SUITABILITY OF ANY CONNECTOR THAT IS NOT "TRUSS TO TRUSS" AS THEY APPLY TO THIS SPECIFIC STRUCTURE.

# 72200036 77 DUNCANS CROSSING



## NOTES

- 2'-3" MAX SPACING FOR ATTIC ACCESS IS SHOWN. MAINTAIN 24"oc SPACING FOR 22-1/2" ACCESS.
- 

Roof Hanger List			
MARK	TYPE	DESCRIPTION	QTY
(A)	HUS26	FACE MOUNT HANGER	7
(D)	THD26-2	FACE MOUNT HANGER	1
2x4	SBP4	SUPPLEMENTAL BEARING ENHANCER	2

# MCGINNIS CFI

**ROOF AREA: 1974.38 ft<sup>2</sup> RIDGE LINE: 14.5 ft VALLEY LINES: 18.24 HIP LINES: 122.73** △ Indicates Left End of Truss


**Customer**  
SMITH DOUGLAS

**Job Name**  
MCGINNIS

Date: 3/3/22  
Scale: NTS  
Revision Date 1:  
Revision Date 2:

Quality Products for Quality Builders

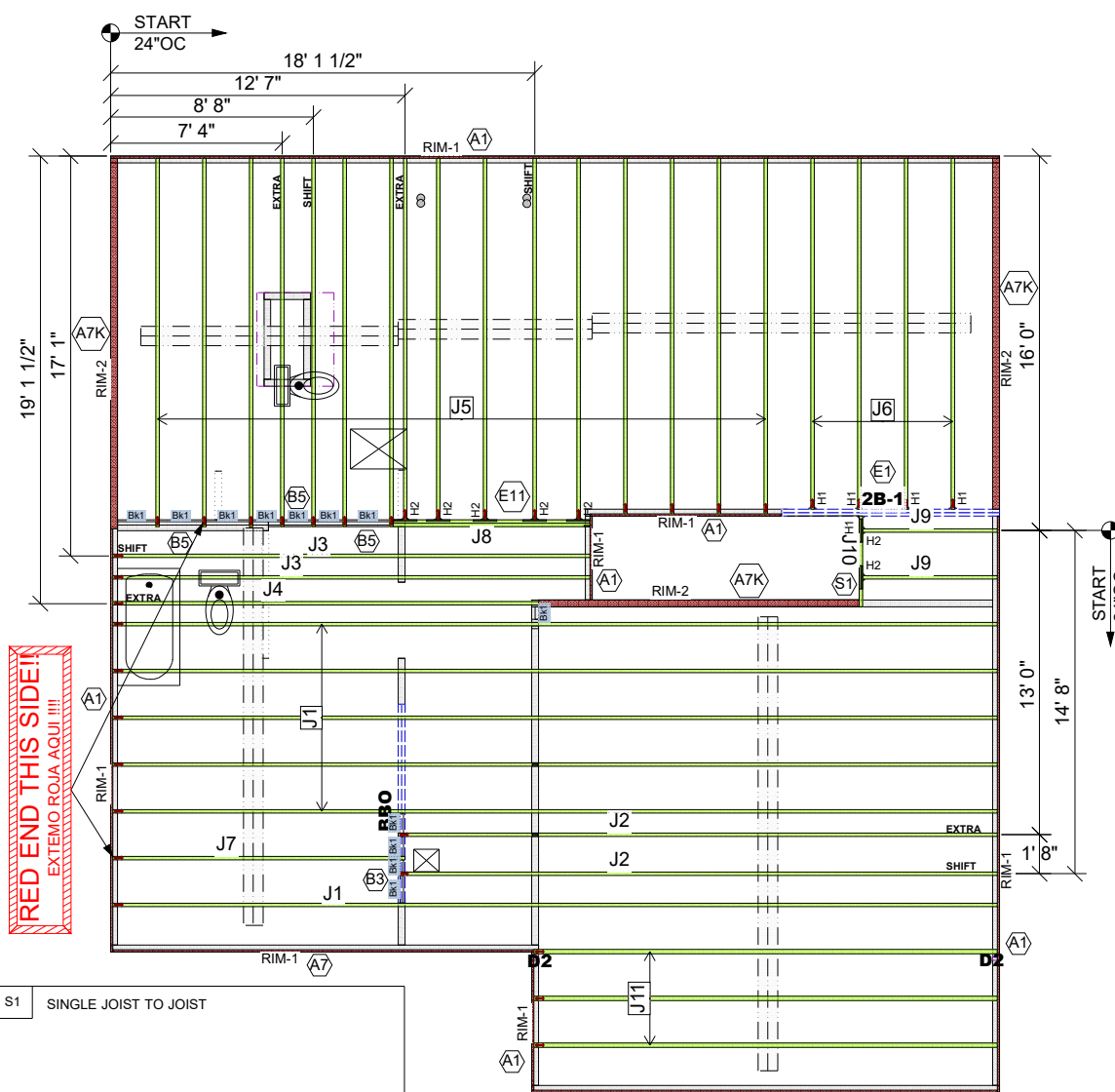
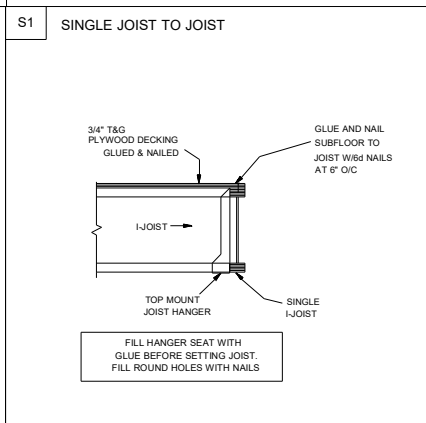
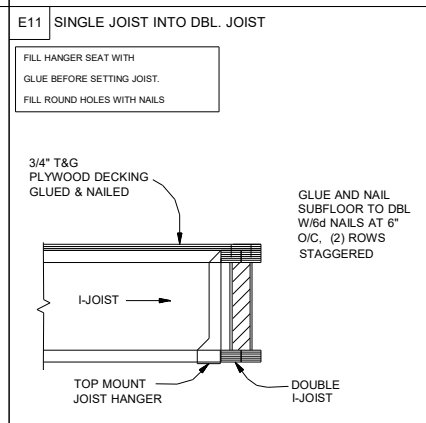
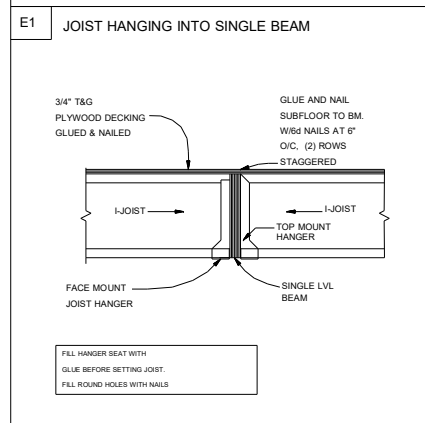
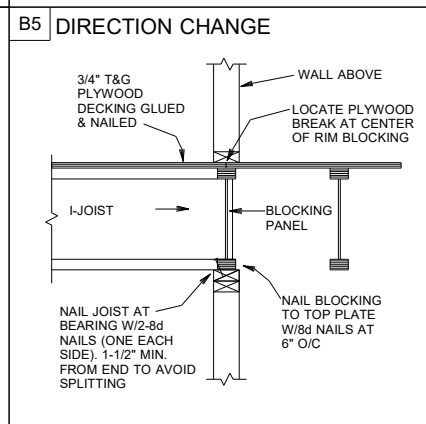
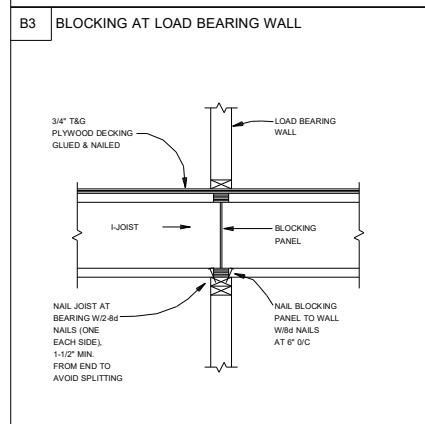
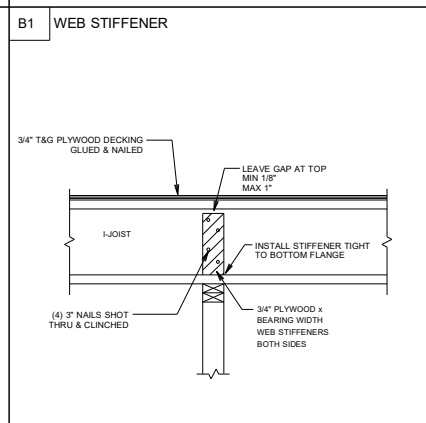
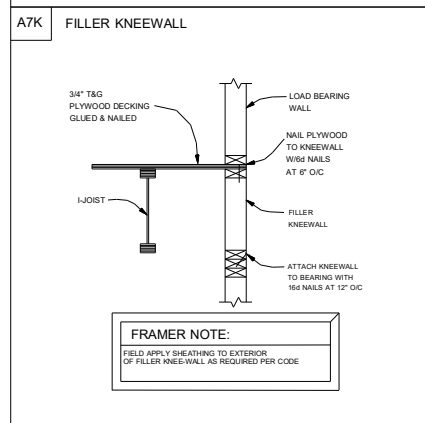
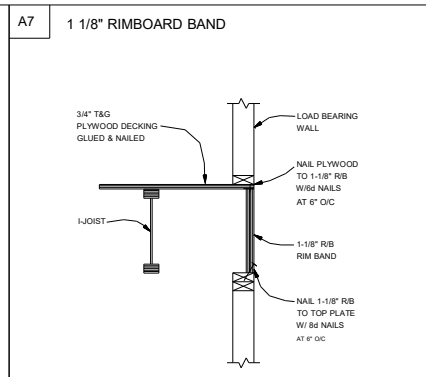
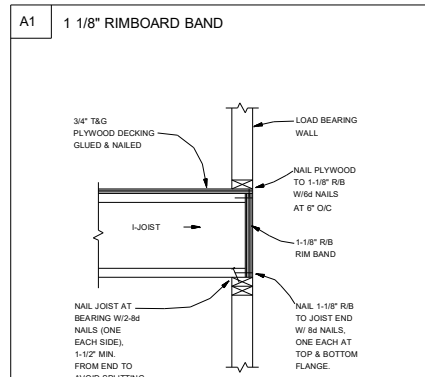
Drawn By: ASJUNN  
Checked By: \*\*\*  
Drawing Number  
**MASTER**



**UFP MID-ATLANTIC, LLC**  
A UFP INDUSTRIES COMPANY

BURLINGTON, NC	PHONE (800) 476-9356
CHESAPEAKE, VA	PHONE (800) 476-3190
CLINTON, NC	PHONE (810) 590-3220
CONWAY, SC	PHONE (800) 397-9572
JEFFERSON, GA	PHONE (800) 648-4038
LOCUST, NC	PHONE (704) 888-0920
LIBERTY, NC	PHONE (800) 648-4038
LOOTSWAH, TN	PHONE (644) 497-0056
PEARISBURG, VA	PHONE (800) 397-9571

NOTES: THIS DRAWING IS THE PROPERTY OF UFP MID-ATLANTIC, LLC AND IS NOT TO BE USED FOR ANY PURPOSE DETRIMENTAL TO THE INTEREST OF UFP MID-ATLANTIC, LLC. THIS DRAWING MUST BE USED IN CONJUNCTION WITH ALL OTHER TECHNICAL DRAWINGS SUPPLIED BY UFP MID-ATLANTIC, LLC AND "BRACING WOOD TRUSS, COMMENTARY AND RECOMMENDATIONS" AS PUBLISHED BY THE TRUSS PLATE INSTITUTE FOR INDUSTRY STANDARDS IN ERECTING TRUSSES. (TFI) IS LOCATED AT 583 D'ONOFRIO DR. SUITE 200 MADISON, WI 53719 (608) 833-5900



Products					
PlotID	Length	Product	Plies	Net Qty	Fab Type
J1	38' 0"	14" TJ@ 110	1	6	MFD
J2	26' 0"	14" TJ@ 110	1	2	MFD
J3	21' 0"	14" TJ@ 110	1	2	MFD
J4	19' 0"	14" TJ@ 110	1	1	MFD
J5	16' 0"	14" TJ@ 110	1	16	MFD
J6	15' 0"	14" TJ@ 110	1	4	MFD
J7	13' 0"	14" TJ@ 110	1	1	MFD
J8	9' 0"	14" TJ@ 110	2	2	FF
J9	6' 0"	14" TJ@ 110	1	2	MFD
J10	4' 0"	14" TJ@ 110	1	1	MFD
J11	20' 0"	14" TJ@ 360	1	3	MFD
2B-1	10' 0"	1 3/4" x 14" 2.0E Microllam@ LVL	2	2	MFD
RIM-1	16' 0"	1 1/8" x 14" TJ@ Rim Board	1	9	FF
RIM-2	12' 0"	14" Kneewall	1	4	FF
Bk1	2' 0"	14" TJ@ 110	1	12	MFD

Connector Summary			
PlotID	Qty	Manuf	Product
H1	5	MiTek	IHFL1714
H2	7	MiTek	TFL1714

- GENERAL NOTES:**
- 1.) TOP CHORD OF JOISTS ARE PAINTED RED AT NUMBERED END. PLACE PAINTED END AS NOTED ON PLAN.
  - 2.) FOLLOW SPECIAL SPACING AND LOCATION DIMENSIONS FOR EXTRAS OR SHIFTED JOISTS AS SHOWN ON PLAN.
  - 3.) ALL INTERIOR WALL PLATES MUST BE LEVEL WITH OUTSIDE WALL TOP PLATES.
  - 4.) DO NOT STACK CONSTRUCTION LOADS ON UN-BRACED JOISTS.
  - 5.) PROVIDE SOLID SUPPORT BELOW ALL BEAM AND HEADER BEARING POINTS IN WALL AND JOIST SPACES CONTINUOUS DOWN TO THE FOUNDATION.
  - 6.) LOCATE CRIPPLE STUDS IN JOIST SPACE DIRECTLY BELOW HEADER JACKS AT ALL FIRST FLOOR EXTERIOR DOOR LOCATIONS.
  - 7.) INSTALL NAILS IN ALL HOLES PROVIDED IN JOIST HANGERS EXCEPT AT BOTTOM CHORD SEAT. PLACE A DAB OF GLUE IN THE HANGER SEAT BEFORE SETTING JOISTS.
  - 8.) IMPORTANT NOTE! NO STRUCTURAL ANALYSIS OF CONVENTIONAL HEADERS HAS BEEN CONDUCTED IF NOT NOTED. THEY ARE CONSIDERED TO BE ADEQUATE TO SUPPORT THE APPLIED LOADS.

**PLAN LEGEND**

<b>1B-, 2B-</b>	*INDICATES BEAM ABOVE TOP PLATE (FLUSH WITH FLOOR SYSTEM)
<b>H-, 1H-, GDH-</b>	INDICATES BEAM BELOW TOP PLATE (DROPPED BELOW FLOOR SYSTEM)
<b>SINGLE PLY BEAM</b>	(ADD LINE FOR EACH ADDITIONAL PLY)
<b>SHIFT</b>	SHIFT JOIST TO MISS PLUMBING, ALIGN W/WALL OR SUPPORT FURNITURE
<b>EXTRA</b>	A JOIST ADDED TO THE LAYOUT IN ADDITION TO THE ON CENTER JOISTS
<b>DOUBLE</b>	TWO JOISTS SIDE BY SIDE (ONLY ASSEMBLED IF NOTED)

**FIELD TRIM NON RED END TO KEEP HOLES ALIGNED**  
 CONTAR EL LADO DE SIN MARCA ROJA PARA HOYOS ALINEADOS

**FIELD LOCATE PLUMBING DROPS/CAN LIGHTS, ETC... PRIOR TO JOIST SECUREMENT TO AVOID INTERFERENCE.**

**LAYOUT FOR 19.2" O/C**

1= 19-3/16"	9= 172-13/16"
2= 38-3/8"	10= 192"
3=57-5/8"	11= 211-3/16"
4= 76-13/16"	12= 230-3/8"
5= 96"	13= 249-13/16"
6= 115-3/16"	14= 268-13/16"
7= 134-3/8"	15= 288"
8= 153-5/8"	

**FRAMER NOTE**  
 DENOTES DUCT HOLE RUNS

ALL DIMENSIONS TO CENTERLINE UNLESS OTHERWISE NOTED

• Avoid Plumbing Drops

**FRAMER NOTE**

1. GLUE AND NAIL PLYWOOD SUBFLOOR TO BEAMS AND GIRDERS AT 6" O/C WHERE NO WALL IS ABOVE.
2. FILL HANGER SEAT WITH GLUE BEFORE SETTING JOIST IN HANGER. FILL ROUND HOLES WITH NAILS.

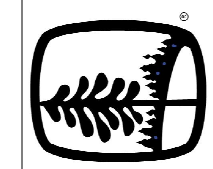
**CRITICAL !!**  
 INSTALL 2X4 SQUASH BLOCKS IN FLOOR TRUSS SPACE BELOW ALL EXTERIOR DOOR HEADER JACKS. CUT 1/16" TALLER THAN TRUSS.

**FIELD VERIFY DIMENSIONS TO JOISTS LOCATED UNDER WALLS!!**  
**2ND FLOOR LAYOUT**

**UFP MID-ATLANTIC, LLC NOTES:** THIS DRAWING IS THE PROPERTY OF UFP MID-ATLANTIC, LLC AND IS NOT TO BE USED FOR ANY PURPOSE DETERMINANT TO THE INTEREST OF UFP MID-ATLANTIC, LLC. THIS DRAWING MUST BE USED IN CONJUNCTION WITH ALL OTHER TECHNICAL DRAWINGS SUPPLIED BY UFP MID-ATLANTIC, LLC.

This layout is not an engineered drawing. This drawing was created to establish joist placement only. It is the responsibility of the builder to provide adequate support for all the elements shown in this drawing.

A UNIVERSAL FOREST PRODUCTS COMPANY  
 BURLINGTON, NC PHONE (800) 476-9356  
 CHESAPEAKE, VA PHONE (800) 476-3190  
 CONWAY, SC PHONE (800) 397-9572  
 JEFFERSONGA, GA PHONE (800) 648-4038  
 PEARISBURG, VA PHONE (800) 397-9571



LOADING	DEFLECTION
ROOF LIVE 20 PSF	L/240
ROOF DEAD 20 PSF	L/180
FLOOR LIVE 40 PSF	L/480
FLOOR DEAD 10 PSF	L/240

Special Loading:

Customer: **SMITH DOUGLAS**  
 Job Name: **MCGINNIS**  
 Date: 10/17/21  
 Scale: NTS  
 Revision Date: \_\_\_\_\_  
 Revision Date: \_\_\_\_\_

Quality Products for Quality Builders®

Lot #: \_\_\_\_\_

Drawn By: CP3  
 Drawing Number: **21090682F2**