

Trenco  
818 Soundside Rd  
Edenton, NC 27932

Re: 3301439  
WILLIAMS RESIDENCE- 1286 CRAWFORD

The truss drawing(s) referenced below have been prepared by Truss Engineering Co. under my direct supervision based on the parameters provided by Stock Building Supply.

Pages or sheets covered by this seal: T29549208 thru T29549208

My license renewal date for the state of North Carolina is December 31, 2023.

North Carolina COA: C-0844



January 10, 2023

O'Regan, Philip

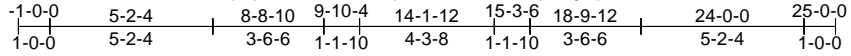
**IMPORTANT NOTE:** The seal on these truss component designs is a certification that the engineer named is licensed in the jurisdiction(s) identified and that the designs comply with ANSI/TPI 1. These designs are based upon parameters shown (e.g., loads, supports, dimensions, shapes and design codes), which were given to MiTek or TRENCO. Any project specific information included is for MiTek's or TRENCO's customers file reference purpose only, and was not taken into account in the preparation of these designs. MiTek or TRENCO has not independently verified the applicability of the design parameters or the designs for any particular building. Before use, the building designer should verify applicability of design parameters and properly incorporate these designs into the overall building design per ANSI/TPI 1, Chapter 2.

Job 3301439	Truss E2	Truss Type Attic	Qty 9	Ply 1	WILLIAMS RESIDENCE- 1286 CRAWFORD Units: 1.0 T29549208 Job Reference (optional) Eng: T.R
----------------	-------------	---------------------	----------	----------	--

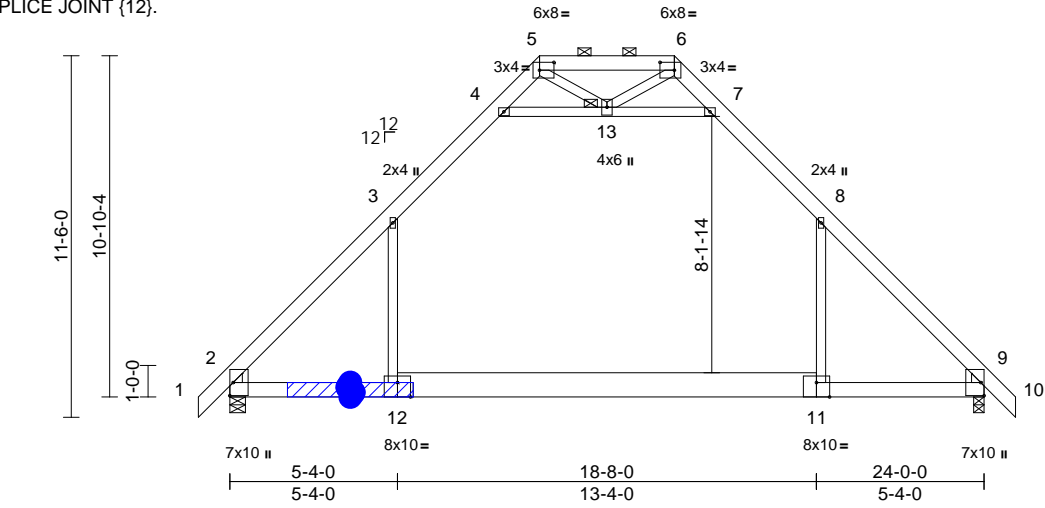
Builders FirstSource (Middlesex, NC), Middlesex, NC - 27557,

Run: 8.53 S Sep 22 2022 Print: 8.530 S Sep 22 2022 MiTek Industries, Inc. Mon Jan 09 13:04:02

Page: 1



REPAIR: BOTTOM CHORD BROKEN AT [1-6-0] TO THE LEFT OF SPLICE JOINT {12}.



APPLY 2 X 6 X 4' SP NO.2 SCAB TO ONE FACE OF TRUSS CENTERED ON DAMAGE. ATTACH WITH (0.131" X 3") NAILS PER THE FOLLOWING NAIL SCHEDULE: 2 x 6'S AND LARGER - 3 ROWS: SPACED @ 2" O.C. USE 2" MEMBER END DISTANCE.

Scale = 1:73.3

Plate Offsets (X, Y): [5:0-5-8,0-3-0], [6:0-5-8,0-3-0], [11:0-5-0,Edge], [12:0-5-0,Edge]

Loading	(psf)	Spacing	2-0-0	CSI	DEFL	in	(loc)	l/defl	L/d	PLATES	GRIP	
TCLL (roof)	20.0	Plate Grip DOL	1.00	TC	0.60	Vert(LL)	-0.41	11-12	>699	240	MT20	244/190
TCDL	10.0	Lumber DOL	1.15	BC	0.70	Vert(CT)	-0.62	11-12	>467	180		
BCLL	0.0*	Rep Stress Incr	YES	WB	0.43	Horz(CT)	0.03	2	n/a	n/a		
BCDL	10.0	Code	IRC2015/TPI2014	Matrix-MS		Attic	-0.24	11-12	>663	360	Weight: 195 lb	FT = 20%

**LUMBER**  
TOP CHORD 2x6 SP DSS \*Except\* 5-6:2x6 SP No.2  
BOT CHORD 2x6 SP No.2 \*Except\* 12-11:2x10 SP DSS  
WEBS 2x4 SP No.3  
WEDGE Left: 2x4 SP No.3  
Right: 2x4 SP No.3

**BRACING**  
TOP CHORD Structural wood sheathing directly applied or 5-3-11 oc purlins, except 2-0-0 oc purlins (10-0-0 max.): 5-6.  
BOT CHORD Rigid ceiling directly applied or 8-0-15 oc bracing.

**JOINTS**  
1 Brace at Jt(s): 13

**REACTIONS** (size) 2=0-6-0, 9=0-4-0  
Max Horiz 2=-223 (LC 8)  
Max Grav 2=1425 (LC 2), 9=1425 (LC 2)

**FORCES** (lb) - Maximum Compression/Maximum Tension  
TOP CHORD 1-2=0/42, 2-3=-1696/0, 3-4=-983/134, 4-5=-73/414, 5-6=-14/643, 6-7=-73/414, 7-8=-983/134, 8-9=-1696/0, 9-10=0/42  
BOT CHORD 2-9=-88/1035  
WEBS 3-12=0/903, 8-11=0/903, 4-13=-1642/176, 7-13=-1641/176, 5-13=-56/128, 6-13=-56/128

- 5) \* This truss has been designed for a live load of 20.0psf on the bottom chord in all areas where a rectangle 3-06-00 tall by 2-00-00 wide will fit between the bottom chord and any other members.
  - 6) Ceiling dead load (5.0 psf) on member(s). 3-4, 7-8, 4-13, 7-13
  - 7) Bottom chord live load (40.0 psf) and additional bottom chord dead load (5.0 psf) applied only to room. 11-12
  - 8) This truss is designed in accordance with the 2015 International Residential Code sections R502.11.1 and R802.10.2 and referenced standard ANSI/TPI 1.
  - 9) Graphical purlin representation does not depict the size or the orientation of the purlin along the top and/or bottom chord.
  - 10) Attic room checked for L/360 deflection.
- LOAD CASE(S)** Standard

- NOTES**
- 1) Unbalanced roof live loads have been considered for this design.
  - 2) Wind: ASCE 7-10; Vult=118mph (3-second gust) Vasd=93mph; TC DL=6.0psf; BC DL=6.0psf; h=30ft; Cat. II; Exp B; Enclosed; MWFRS (envelope) exterior zone and C-C Exterior (2) zone; cantilever left and right exposed; end vertical left and right exposed; C-C for members and forces & MWFRS for reactions shown; Lumber DOL=1.60 plate grip DOL=1.33
  - 3) Provide adequate drainage to prevent water ponding.
  - 4) This truss has been designed for a 10.0 psf bottom chord live load nonconcurrent with any other live loads.



January 10, 2023

**WARNING - Verify design parameters and READ NOTES ON THIS AND INCLUDED MITEK REFERENCE PAGE MII-7473 rev. 5/19/2020 BEFORE USE.**

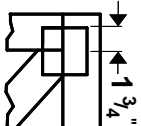
Design valid for use only with MiTek® connectors. This design is based only upon parameters shown, and is for an individual building component, not a truss system. Before use, the building designer must verify the applicability of design parameters and properly incorporate this design into the overall building design. Bracing indicated is to prevent buckling of individual truss web and/or chord members only. Additional temporary and permanent bracing is always required for stability and to prevent collapse with possible personal injury and property damage. For general guidance regarding the fabrication, storage, delivery, erection and bracing of trusses and truss systems, see **ANSI/TPI1 Quality Criteria, DSB-89 and BCSI Building Component Safety Information** available from Truss Plate Institute, 2670 Crain Highway, Suite 203 Waldorf, MD 20601



818 Soundside Road  
Edenton, NC 27932

# Symbols

## PLATE LOCATION AND ORIENTATION



Center plate on joint unless x, y offsets are indicated. Dimensions are in ft-in-sixteenths. Apply plates to both sides of truss and fully embed teeth.



For 4 x 2 orientation, locate plates 0- 1/16" from outside edge of truss.



This symbol indicates the required direction of slots in connector plates.

\* Plate location details available in **MITek 20/20 software** or upon request.

## PLATE SIZE

**4 X 4**

The first dimension is the plate width measured perpendicular to slots. Second dimension is the length parallel to slots.

## LATERAL BRACING LOCATION



Indicated by symbol shown and/or by text in the bracing section of the output. Use T or I bracing if indicated.

## BEARING



Indicates location where bearings (supports) occur. Icons vary but reaction section indicates joint number where bearings occur. Min size shown is for crushing only.

### Industry Standards:

ANSI/TPI 1: National Design Specification for Metal Plate Connected Wood Truss Construction.  
DSB-89: Design Standard for Bracing, Building Component Safety Information, Guide to Good Practice for Handling, Installing & Bracing of Metal Plate Connected Wood Trusses.

# Numbering System

6-4-8  
dimensions shown in ft-in-sixteenths  
(Drawings not to scale)



**JOINTS ARE GENERALLY NUMBERED/LETTERED CLOCKWISE AROUND THE TRUSS STARTING AT THE JOINT FARTHEST TO THE LEFT.**

**CHORDS AND WEBS ARE IDENTIFIED BY END JOINT NUMBERS/LETTERS.**

## PRODUCT CODE APPROVALS

ICC-ES Reports:

ESR-1311, ESR-1352, ESR1988  
ER-3907, ESR-2362, ESR-1397, ESR-3282

Trusses are designed for wind loads in the plane of the truss unless otherwise shown.

Lumber design values are in accordance with ANSI/TPI 1 section 6.3 These truss designs rely on lumber values established by others.

© 2012 MITteK® All Rights Reserved



MITek Engineering Reference Sheet: Mill-7473 rev. 5/19/2020

# General Safety Notes

## Failure to Follow Could Cause Property Damage or Personal Injury

1. Additional stability bracing for truss system, e.g. diagonal or X-bracing, is always required. See BCSI.
2. Truss bracing must be designed by an engineer. For wide truss spacing, individual lateral braces themselves may require bracing, or alternative Tor I bracing should be considered.
3. Never exceed the design loading shown and never stack materials on inadequately braced trusses.
4. Provide copies of this truss design to the building designer, erection supervisor, property owner and all other interested parties.
5. Cut members to bear tightly against each other.
6. Place plates on each face of truss at each joint and embed fully. Knots and wane at joint locations are regulated by ANSI/TPI 1.
7. Design assumes trusses will be suitably protected from the environment in accord with ANSI/TPI 1.
8. Unless otherwise noted, moisture content of lumber shall not exceed 19% at time of fabrication.
9. Unless expressly noted, this design is not applicable for use with fire retardant, preservative treated, or green lumber.
10. Camber is a non-structural consideration and is the responsibility of truss fabricator. General practice is to camber for dead load deflection.
11. Plate type, size, orientation and location dimensions indicated are minimum plating requirements.
12. Lumber used shall be of the species and size, and in all respects, equal to or better than that specified.
13. Top chords must be sheathed or purlins provided at spacing indicated on design.
14. Bottom chords require lateral bracing at 10 ft. spacing, or less, if no ceiling is installed, unless otherwise noted.
15. Connections not shown are the responsibility of others.
16. Do not cut or alter truss member or plate without prior approval of an engineer.
17. Install and load vertically unless indicated otherwise.
18. Use of green or treated lumber may pose unacceptable environmental, health or performance risks. Consult with project engineer before use.
19. Review all portions of this design (front, back, words and pictures) before use. Reviewing pictures alone is not sufficient.
20. Design assumes manufacture in accordance with ANSI/TPI 1 Quality Criteria.
21. The design does not take into account any dynamic or other loads other than those expressly stated.