

Trenco
818 Soundside Rd
Edenton, NC 27932

Re: J1022-5009
Weaver / 9 Mitchell Manor / Harnett

The truss drawing(s) referenced below have been prepared by Truss Engineering Co. under my direct supervision based on the parameters provided by Comtech, Inc - Fayetteville.

Pages or sheets covered by this seal: I54887717 thru I54887728

My license renewal date for the state of North Carolina is December 31, 2022.

North Carolina COA: C-0844



October 25, 2022

Johnson, Andrew

IMPORTANT NOTE: The seal on these truss component designs is a certification that the engineer named is licensed in the jurisdiction(s) identified and that the designs comply with ANSI/TPI 1. These designs are based upon parameters shown (e.g., loads, supports, dimensions, shapes and design codes), which were given to MiTek or TRENCO. Any project specific information included is for MiTek's or TRENCO's customers file reference purpose only, and was not taken into account in the preparation of these designs. MiTek or TRENCO has not independently verified the applicability of the design parameters or the designs for any particular building. Before use, the building designer should verify applicability of design parameters and properly incorporate these designs into the overall building design per ANSI/TPI 1, Chapter 2.

Job J1022-5009	Truss F1	Truss Type Floor	Qty 1	Ply 1	Weaver / 9 Mitchell Manor / Harnett 154887717 Job Reference (optional)
-------------------	-------------	---------------------	----------	----------	--

Comtech, Inc. Fayetteville, NC - 28314,

8.430 s Jan 6 2022 MiTek Industries, Inc. Mon Oct 24 14:24:59 2022 Page 1
ID:uB1kUybQLa2UVI5Eak1M8Myf?Wk-3uBPQbtGAUNeXxlC5sshcxdfSc9usgh_5IB5DyQAbo

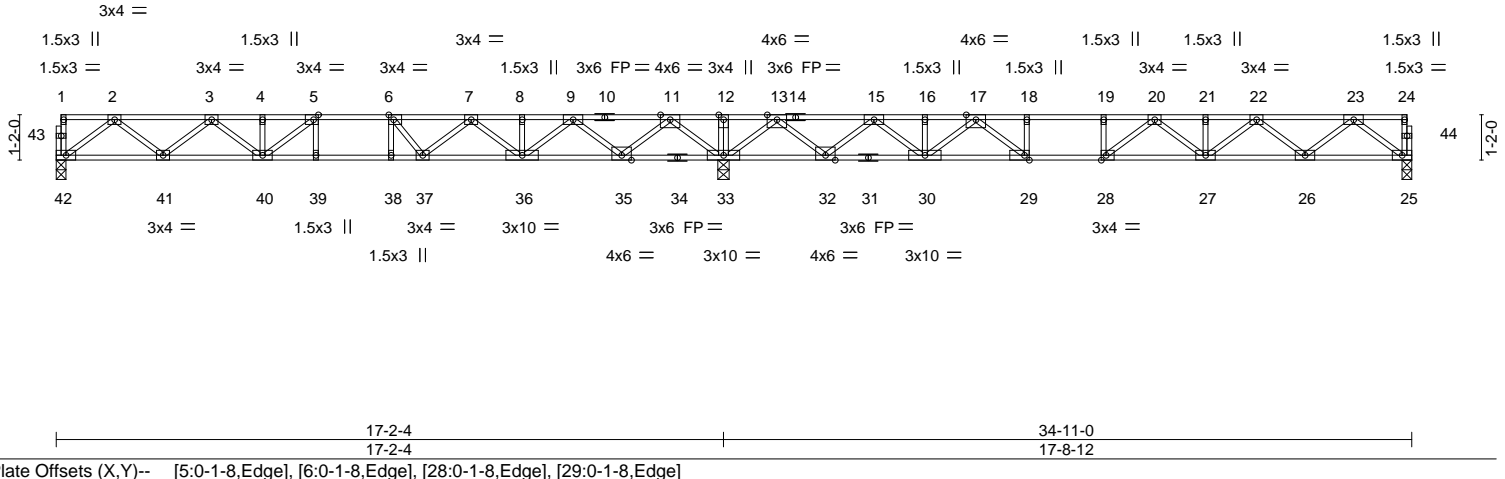


Plate Offsets (X, Y)--	[5:0-1-8,Edge], [6:0-1-8,Edge], [28:0-1-8,Edge], [29:0-1-8,Edge]				
LOADING (psf)	SPACING- 2-0-0	CSI.	DEFL. in (loc) l/defl L/d	PLATES	GRIP
TCLL 40.0	Plate Grip DOL 1.00	TC 0.92	Vert(LL) -0.25 27-28 >847 480	MT20	244/190
TCDL 10.0	Lumber DOL 1.00	BC 0.93	Vert(CT) -0.34 27-28 >630 360		
BCLL 0.0	Rep Stress Incr YES	WB 0.66	Horz(CT) 0.05 25 n/a n/a		
BCDL 5.0	Code IRC2015/TPI2014	Matrix-S			
				Weight: 177 lb	FT = 20%F, 11%E

LUMBER-	BRACING-
TOP CHORD 2x4 SP No.1(flat)	TOP CHORD Structural wood sheathing directly applied or 2-2-0 oc purlins, except end verticals.
BOT CHORD 2x4 SP No.1(flat)	BOT CHORD Rigid ceiling directly applied or 2-2-0 oc bracing.
WEBS 2x4 SP No.3(flat)	

REACTIONS. (size) 42=0-3-0, 33=0-3-8, 25=0-3-0
Max Grav 42=800(LC 3), 33=2317(LC 1), 25=833(LC 4)

FORCES. (lb) - Max. Comp./Max. Ten. - All forces 250 (lb) or less except when shown.

TOP CHORD 2-3=-1632/0, 3-4=-2593/0, 4-5=-2593/0, 5-6=-2802/0, 6-7=-2605/135, 7-8=-1746/614, 8-9=-1746/614, 9-11=-138/1294, 11-12=0/3365, 12-13=0/3365, 13-15=-195/1270, 15-16=-1860/597, 16-17=-1860/597, 17-18=-2965/0, 18-19=-2965/0, 19-20=-2965/0, 20-21=-2765/0, 21-22=-2765/0, 22-23=-1712/0

BOT CHORD 41-42=0/996, 40-41=0/2234, 39-40=0/2802, 38-39=0/2802, 37-38=0/2802, 36-37=-370/2295, 35-36=-936/1059, 33-35=-1950/0, 32-33=-1916/0, 30-32=-917/1139, 29-30=-326/2434, 28-29=0/2965, 27-28=0/3002, 26-27=0/2362, 25-26=0/1038

WEBS 2-42=-1247/0, 2-41=0/828, 3-41=-783/0, 3-40=0/458, 5-40=-289/340, 11-33=-1775/0, 11-35=0/1350, 9-35=-1319/0, 9-36=0/1004, 7-36=-804/0, 7-37=0/660, 6-37=-743/0, 6-38=-21/307, 23-25=-1299/0, 23-26=0/878, 22-26=-846/0, 22-27=0/514, 20-27=-303/81, 20-28=-513/110, 13-33=-1818/0, 13-32=0/1388, 15-32=-1337/0, 15-30=0/1036, 17-30=-855/0, 17-29=0/1074, 18-29=-473/0

- NOTES-**
- 1) Unbalanced floor live loads have been considered for this design.
 - 2) All plates are 3x6 MT20 unless otherwise indicated.
 - 3) Plates checked for a plus or minus 1 degree rotation about its center.
 - 4) Recommend 2x6 strongbacks, on edge, spaced at 10-0-0 oc and fastened to each truss with 3-10d (0.131" X 3") nails. Strongbacks to be attached to walls at their outer ends or restrained by other means.
 - 5) CAUTION, Do not erect truss backwards.



<p>WARNING - Verify design parameters and READ NOTES ON THIS AND INCLUDED MITEK REFERENCE PAGE MII-7473 rev. 5/19/2020 BEFORE USE.</p> <p>Design valid for use only with MiTek® connectors. This design is based only upon parameters shown, and is for an individual building component, not a truss system. Before use, the building designer must verify the applicability of design parameters and properly incorporate this design into the overall building design. Bracing indicated is to prevent buckling of individual truss web and/or chord members only. Additional temporary and permanent bracing is always required for stability and to prevent collapse with possible personal injury and property damage. For general guidance regarding the fabrication, storage, delivery, erection and bracing of trusses and truss systems, see ANSI/TPI1 Quality Criteria, DSB-89 and BCSI Building Component Safety Information available from Truss Plate Institute, 2670 Crain Highway, Suite 203 Waldorf, MD 20601</p>	<p>ENGINEERING BY TRENCO A MiTek Affiliate</p> <p>818 Soundside Road Edenton, NC 27932</p>
--	---

Job J1022-5009	Truss F1A	Truss Type Floor	Qty 5	Ply 1	Weaver / 9 Mitchell Manor / Harnett Job Reference (optional)	154887718
-------------------	--------------	---------------------	----------	----------	---	-----------

Comtech, Inc. Fayetteville, NC - 28314,

8.430 s Jan 6 2022 MiTek Industries, Inc. Mon Oct 24 14:25:00 2022 Page 1
ID:uB1kUybQLa2UVI5EAk1M8Myf?Wk-X4IndxuuxoVV85KofZnW889Rh0VAb767Ky2kdfyQAbn

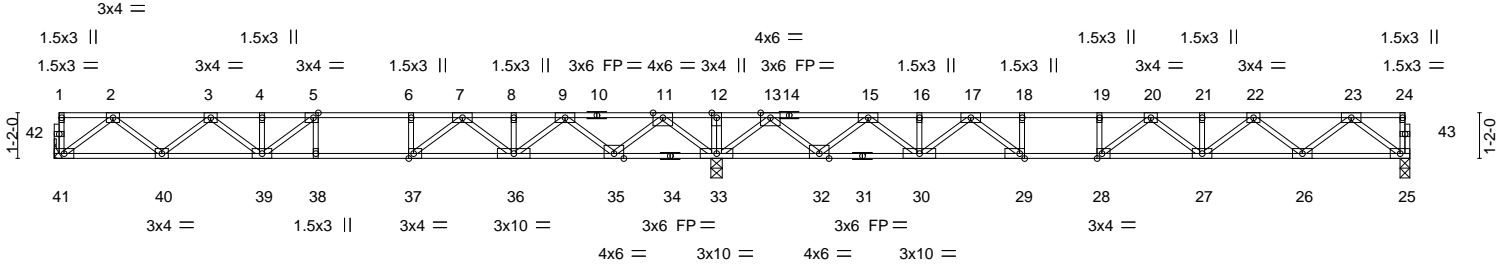


Plate Offsets (X,Y)--	[5:0-1-8,Edge], [28:0-1-8,Edge], [29:0-1-8,Edge], [37:0-1-8,Edge]
-----------------------	---

LOADING (psf)	SPACING-	2-0-0	CSI.	DEFL.	in (loc)	l/defl	L/d	PLATES	GRIP
TCLL 40.0	Plate Grip DOL	1.00	TC 0.89	Vert(LL)	-0.25	27-28	>842	MT20	244/190
TCDL 10.0	Lumber DOL	1.00	BC 0.93	Vert(CT)	-0.34	27-28	>625		
BCLL 0.0	Rep Stress Incr	YES	WB 0.65	Horz(CT)	0.05	25	n/a		
BCDL 5.0	Code IRC2015/TPI2014		Matrix-S						

Weight: 174 lb FT = 20%F, 11%E

LUMBER-	BRACING-
TOP CHORD 2x4 SP No.1(flat)	TOP CHORD Structural wood sheathing directly applied or 2-2-0 oc purlins, except end verticals.
BOT CHORD 2x4 SP No.1(flat)	BOT CHORD Rigid ceiling directly applied or 2-2-0 oc bracing.
WEBS 2x4 SP No.3(flat)	

REACTIONS. (size) 41=Mechanical, 33=0-3-8, 25=0-3-0
Max Grav 41=795(LC 3), 33=2276(LC 1), 25=842(LC 4)

FORCES. (lb) - Max. Comp./Max. Ten. - All forces 250 (lb) or less except when shown.

TOP CHORD 2-3=-1619/0, 3-4=-2575/0, 4-5=-2575/0, 5-6=-2738/0, 6-7=-2738/0, 7-8=-1807/539, 8-9=-1807/539, 9-11=-257/1177, 11-12=0/3119, 12-13=0/3119, 13-15=-314/1122, 15-16=-1959/474, 16-17=-1959/474, 17-18=-3035/0, 18-19=-3035/0, 19-20=-3035/0, 20-21=-2806/0, 21-22=-2806/0, 22-23=-1733/0

BOT CHORD 40-41=0/989, 39-40=0/2217, 38-39=0/2738, 37-38=0/2738, 36-37=-282/2314, 35-36=-841/1145, 33-35=-1814/0, 32-33=-1688/0, 30-32=-781/1248, 29-30=-216/2522, 28-29=0/3035, 27-28=0/3054, 26-27=0/2393, 25-26=0/1049

WEBS 2-41=-1239/0, 2-40=0/819, 3-40=-779/0, 3-39=0/457, 5-39=-239/377, 11-33=-1737/0, 11-35=0/1312, 9-35=-1263/0, 9-36=0/958, 7-36=-773/0, 7-37=0/975, 6-37=-427/0, 23-25=-1313/0, 23-26=0/891, 22-26=-859/0, 22-27=0/527, 20-27=-317/64, 20-28=-479/149, 13-33=-1795/0, 13-32=0/1366, 15-32=-1315/0, 15-30=0/1013, 17-30=-830/0, 17-29=0/1041, 18-29=-459/0

- NOTES-**
- 1) Unbalanced floor live loads have been considered for this design.
 - 2) All plates are 3x6 MT20 unless otherwise indicated.
 - 3) Plates checked for a plus or minus 1 degree rotation about its center.
 - 4) Refer to girder(s) for truss to truss connections.
 - 5) Recommend 2x6 strongbacks, on edge, spaced at 10-0-0 oc and fastened to each truss with 3-10d (0.131" X 3") nails. Strongbacks to be attached to walls at their outer ends or restrained by other means.
 - 6) CAUTION, Do not erect truss backwards.



Job J1022-5009	Truss F2	Truss Type Floor	Qty 3	Ply 1	Weaver / 9 Mitchell Manor / Harnett Job Reference (optional)	154887719
-------------------	-------------	---------------------	----------	----------	---	-----------

Comtech, Inc. Fayetteville, NC - 28314,

8.430 s Jan 6 2022 MiTek Industries, Inc. Mon Oct 24 14:25:01 2022 Page 1
ID:uB1kUybQLa2UVI5Eak1M8Myf?Wk-?GJ9qHvWh6dMmFu?CHu9hMijQQu8KdfHYcnHA5yQAbm

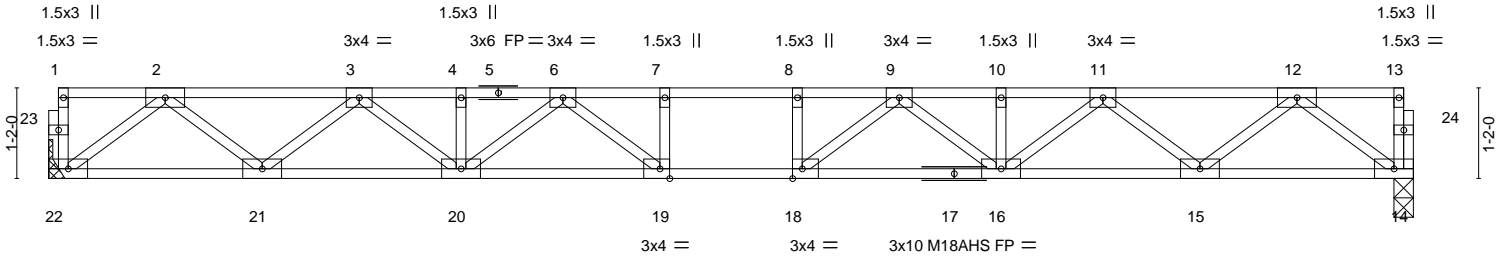
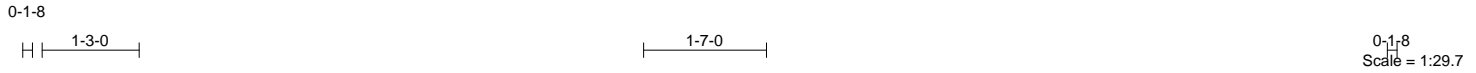


Plate Offsets (X, Y)--	[18:0-1-8,Edge], [19:0-1-8,Edge]								
LOADING (psf)	SPACING- 2-0-0	CSI.	DEFL. in (loc) l/defl L/d	PLATES	GRIP				
TCLL 40.0	Plate Grip DOL 1.00	TC 0.44	Vert(LL) -0.27 18-19 >782 480	MT20	244/190				
TCDL 10.0	Lumber DOL 1.00	BC 0.75	Vert(CT) -0.37 18-19 >569 360	M18AHS	186/179				
BCLL 0.0	Rep Stress Incr YES	WB 0.50	Horz(CT) 0.07 14 n/a n/a						
BCDL 5.0	Code IRC2015/TPI2014	Matrix-S							Weight: 90 lb FT = 20%F, 11%E

LUMBER-		BRACING-	
TOP CHORD 2x4 SP No.1(flat)		TOP CHORD	Structural wood sheathing directly applied or 6-0-0 oc purlins, except end verticals.
BOT CHORD 2x4 SP No.1(flat)		BOT CHORD	Rigid ceiling directly applied or 10-0-0 oc bracing.
WEBS 2x4 SP No.3(flat)			

REACTIONS. (size) 14=0-3-0, 22=Mechanical
Max Grav 14=947(LC 1), 22=947(LC 1)

FORCES. (lb) - Max. Comp./Max. Ten. - All forces 250 (lb) or less except when shown.
TOP CHORD 2-3=-2001/0, 3-4=-3321/0, 4-6=-3321/0, 6-7=-3931/0, 7-8=-3931/0, 8-9=-3931/0, 9-10=-3321/0, 10-11=-3321/0, 11-12=-2001/0
BOT CHORD 21-22=0/1189, 20-21=0/2779, 19-20=0/3710, 18-19=0/3931, 16-18=0/3710, 15-16=0/2779, 14-15=0/1189
WEBS 2-22=-1489/0, 2-21=0/1056, 3-21=-1013/0, 3-20=0/693, 6-20=-496/0, 6-19=-93/587, 7-19=-265/0, 12-14=-1489/0, 12-15=0/1056, 11-15=-1013/0, 11-16=0/693, 9-16=-496/0, 9-18=-93/587, 8-18=-265/0

- NOTES-**
- 1) Unbalanced floor live loads have been considered for this design.
 - 2) All plates are MT20 plates unless otherwise indicated.
 - 3) All plates are 3x6 MT20 unless otherwise indicated.
 - 4) Plates checked for a plus or minus 1 degree rotation about its center.
 - 5) Refer to girder(s) for truss to truss connections.
 - 6) Recommend 2x6 strongbacks, on edge, spaced at 10-0-0 oc and fastened to each truss with 3-10d (0.131" X 3") nails. Strongbacks to be attached to walls at their outer ends or restrained by other means.



Job	Truss	Truss Type	Qty	Ply	Weaver / 9 Mitchell Manor / Harnett
J1022-5009	F2A	Floor	1	1	154887720
					Job Reference (optional)

Comtech, Inc. Fayetteville, NC - 28314,

8.430 s Jan 6 2022 MiTek Industries, Inc. Mon Oct 24 14:25:02 2022 Page 1

ID:uB1kUybQLa2UVI5EAk1M8Myf?Wk-TTsX2dv8SPIDOPTBm_PODZfMgGqAt32gQnGXrYyQAbI

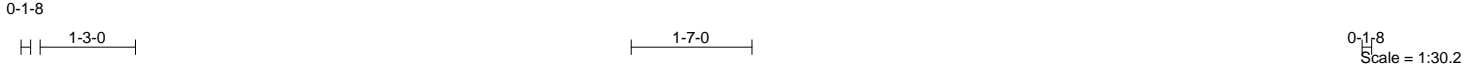


Plate Offsets (X, Y)--	[8:0-3-0,Edge], [9:0-3-0,Edge], [20:0-3-0,Edge], [21:0-3-0,Edge]				
LOADING (psf)	SPACING- 2-0-0	CSI.	DEFL. in (loc) l/defl L/d	PLATES	GRIP
TCLL 40.0	Plate Grip DOL 1.00	TC 0.95	Vert(LL) -0.28 20-21 >752 480	MT20	244/190
TCDL 10.0	Lumber DOL 1.00	BC 0.91	Vert(CT) -0.38 20-21 >547 360		
BCLL 0.0	Rep Stress Incr NO	WB 0.58	Horz(CT) 0.06 16 n/a n/a		
BCDL 5.0	Code IRC2015/TP12014	Matrix-S			
				Weight: 102 lb	FT = 20%F, 11%E

LUMBER-
TOP CHORD 2x4 SP No.1(flat)
BOT CHORD 2x4 SP No.1(flat)
WEBS 2x4 SP No.3(flat)

BRACING-
TOP CHORD Structural wood sheathing directly applied or 3-2-10 oc purlins, except end verticals.
BOT CHORD Rigid ceiling directly applied or 10-0-0 oc bracing.

REACTIONS. (size) 25=Mechanical, 16=0-3-0
Max Grav 25=1053(LC 1), 16=1054(LC 1)

FORCES. (lb) - Max. Comp./Max. Ten. - All forces 250 (lb) or less except when shown.
TOP CHORD 2-3=-2268/0, 3-4=-3845/0, 4-6=-3845/0, 6-8=-5173/0, 8-9=-5173/0, 9-11=-5173/0, 11-12=-4120/0, 12-13=-4128/0, 13-14=-2271/0
BOT CHORD 24-25=0/1330, 23-24=0/3166, 21-23=0/4440, 20-21=0/5173, 18-20=0/4597, 17-18=0/3266, 16-17=0/1331
WEBS 2-25=-1666/0, 2-24=0/1222, 3-24=-1168/0, 3-23=0/867, 6-23=-758/0, 6-21=0/1093, 8-21=-476/0, 14-16=-1667/0, 14-17=0/1223, 13-17=-1294/0, 13-18=0/1059, 11-18=-607/0, 11-20=0/955, 9-20=-463/0

- NOTES-**
- 1) Unbalanced floor live loads have been considered for this design.
 - 2) All plates are 3x6 MT20 unless otherwise indicated.
 - 3) Plates checked for a plus or minus 1 degree rotation about its center.
 - 4) Refer to girder(s) for truss to truss connections.
 - 5) Recommend 2x6 strongbacks, on edge, spaced at 10-0-0 oc and fastened to each truss with 3-10d (0.131" X 3") nails. Strongbacks to be attached to walls at their outer ends or restrained by other means.

LOAD CASE(S) Standard
1) Dead + Floor Live (balanced): Lumber Increase=1.00, Plate Increase=1.00
Uniform Loads (plf)
Vert: 16-25=-10, 1-15=-100
Concentrated Loads (lb)
Vert: 28=-213



Job J1022-5009	Truss F3	Truss Type Floor	Qty 3	Ply 1	Weaver / 9 Mitchell Manor / Harnett 154887721 Job Reference (optional)
-------------------	-------------	---------------------	----------	----------	--

Comtech, Inc. Fayetteville, NC - 28314,

8.430 s Jan 6 2022 MiTek Industries, Inc. Mon Oct 24 14:25:03 2022 Page 1
ID:uB1kUybQLa2UVI5EAK1M8Myf?Wk-xfQwFzwnDjt3?Z2NKiwdmnn_tDVoWUa0wGOE_yQAbk

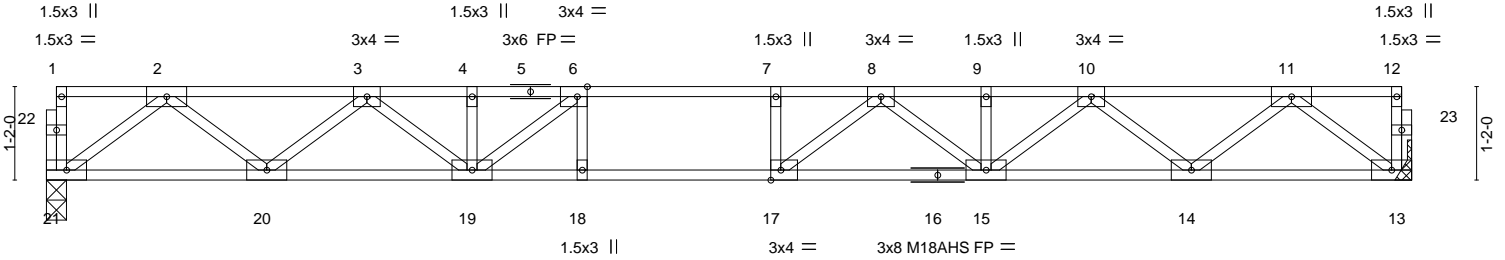


Plate Offsets (X,Y)-- [6:0-1-8,Edge], [17:0-1-8,Edge]		17-0-8 17-0-8			
LOADING (psf)	SPACING- 2-0-0	CSI.	DEFL. in (loc) l/defl L/d	PLATES	GRIP
TCLL 40.0	Plate Grip DOL 1.00	TC 0.76	Vert(LL) -0.28 15-17 >729 480	MT20	244/190
TCDL 10.0	Lumber DOL 1.00	BC 0.97	Vert(CT) -0.38 15-17 >532 360	M18AHS	186/179
BCLL 0.0	Rep Stress Incr YES	WB 0.48	Horz(CT) 0.06 13 n/a n/a	Weight: 86 lb FT = 20%F, 11%E	
BCDL 5.0	Code IRC2015/TPI2014	Matrix-S			

LUMBER-	BRACING-
TOP CHORD 2x4 SP No.1(flat)	TOP CHORD Structural wood sheathing directly applied or 5-11-5 oc purlins, except end verticals.
BOT CHORD 2x4 SP No.1(flat)	BOT CHORD Rigid ceiling directly applied or 2-2-0 oc bracing.
WEBS 2x4 SP No.3(flat)	

REACTIONS. (size) 21=0-3-0, 13=Mechanical
Max Grav 21=917(LC 1), 13=917(LC 1)

FORCES. (lb) - Max. Comp./Max. Ten. - All forces 250 (lb) or less except when shown.
TOP CHORD 2-3=-1929/0, 3-4=-3148/0, 4-6=-3148/0, 6-7=-3651/0, 7-8=-3651/0, 8-9=-3180/0, 9-10=-3180/0, 10-11=-1924/0
BOT CHORD 20-21=0/1150, 19-20=0/2668, 18-19=0/3651, 17-18=0/3651, 15-17=0/3520, 14-15=0/2672, 13-14=0/1149
WEBS 2-21=-1440/0, 2-20=0/1014, 3-20=-962/0, 3-19=0/613, 6-19=-904/0, 11-13=-1439/0, 11-14=0/1009, 10-14=-973/0, 10-15=0/649, 8-15=-435/0, 8-17=-143/536, 7-17=-253/0

- NOTES-**
- 1) Unbalanced floor live loads have been considered for this design.
 - 2) All plates are MT20 plates unless otherwise indicated.
 - 3) All plates are 3x6 MT20 unless otherwise indicated.
 - 4) Plates checked for a plus or minus 1 degree rotation about its center.
 - 5) Refer to girder(s) for truss to truss connections.
 - 6) Recommend 2x6 strongbacks, on edge, spaced at 10-0-0 oc and fastened to each truss with 3-10d (0.131" X 3") nails. Strongbacks to be attached to walls at their outer ends or restrained by other means.



Job J1022-5009	Truss F3A	Truss Type Floor	Qty 1	Ply 1	Weaver / 9 Mitchell Manor / Harnett 154887722
Comtech, Inc. Fayetteville, NC - 28314,					Job Reference (optional)

8.430 s Jan 6 2022 MiTek Industries, Inc. Mon Oct 24 14:25:04 2022 Page 1
ID:uB1kUybQLa2UVI5EAK1M8Myf?Wk-Pr_ITJxP_1?wdjdauPRsJ_KEXdspXyljFa0xmQyQAbj

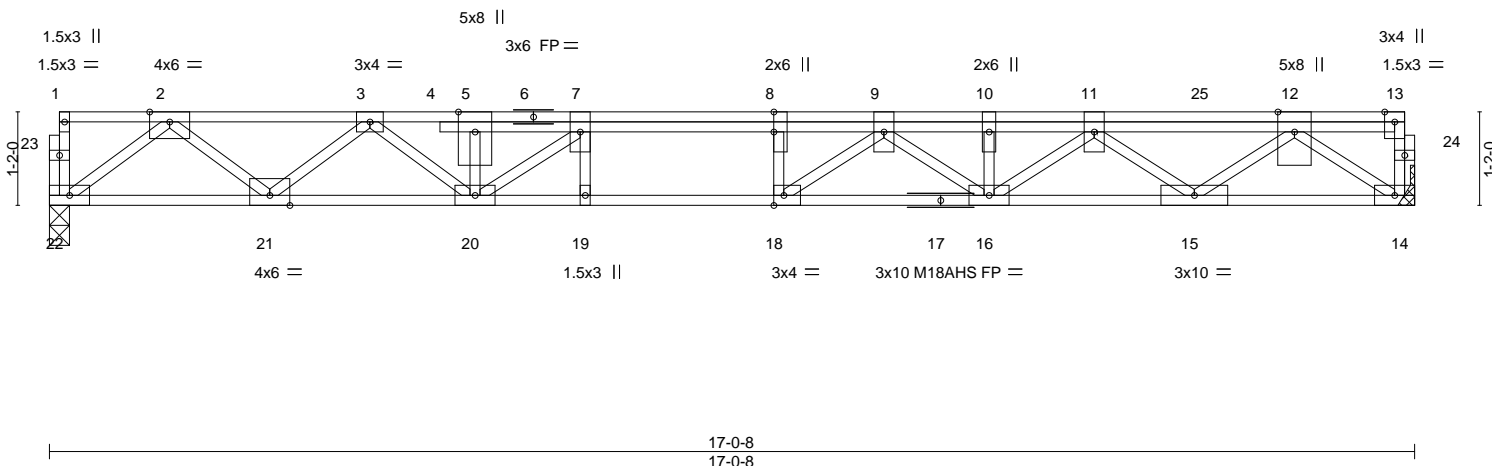


Plate Offsets (X, Y)--	[8:0-3-0,Edge], [18:0-1-8,Edge]				
LOADING (psf)	SPACING- 2-0-0	CSI.	DEFL. in (loc) l/defl L/d	PLATES	GRIP
TCLL 40.0	Plate Grip DOL 1.00	TC 0.45	Vert(LL) -0.25 18 >790 480	MT20	244/190
TCDL 10.0	Lumber DOL 1.00	BC 0.94	Vert(CT) -0.35 16-18 >574 360	M18AHS	186/179
BCLL 0.0	Rep Stress Incr NO	WB 0.57	Horz(CT) 0.07 14 n/a n/a	Weight: 102 lb FT = 20%F, 11%E	
BCDL 5.0	Code IRC2015/TPI2014	Matrix-S			

LUMBER-	BRACING-
TOP CHORD 2x4 SP No.1(flat)	TOP CHORD Structural wood sheathing directly applied or 6-0-0 oc purlins, except end verticals.
BOT CHORD 2x4 SP No.1(flat)	BOT CHORD Rigid ceiling directly applied or 10-0-0 oc bracing.
WEBS 2x4 SP No.3(flat)	

REACTIONS. (size) 22=0-3-0, 14=Mechanical
Max Grav 22=971(LC 1), 14=1222(LC 1)

FORCES. (lb) - Max. Comp./Max. Ten. - All forces 250 (lb) or less except when shown.
TOP CHORD 2-3=-2057/0, 3-5=-3501/0, 5-7=-3501/0, 7-8=-4276/0, 8-9=-4276/0, 9-10=-3982/0, 10-11=-3982/0, 11-12=-2662/0
BOT CHORD 21-22=0/1223, 20-21=0/2855, 19-20=0/4276, 18-19=0/4276, 16-18=0/4270, 15-16=0/3580, 14-15=0/1714
WEBS 2-22=-1532/0, 2-21=0/1085, 3-21=-1038/0, 3-20=0/825, 7-20=-1166/0, 12-14=-2105/0, 12-15=0/1205, 11-15=-1166/0, 11-16=0/502, 9-16=-359/0, 9-18=-348/412

NOTES-
1) Unbalanced floor live loads have been considered for this design.
2) All plates are MT20 plates unless otherwise indicated.
3) All plates are 3x6 MT20 unless otherwise indicated.
4) Plates checked for a plus or minus 1 degree rotation about its center.
5) Refer to girder(s) for truss to truss connections.
6) Recommend 2x6 strongbacks, on edge, spaced at 10-0-0 oc and fastened to each truss with 3-10d (0.131" X 3") nails. Strongbacks to be attached to walls at their outer ends or restrained by other means.

LOAD CASE(S) Standard
1) Dead + Floor Live (balanced): Lumber Increase=1.00, Plate Increase=1.00
Uniform Loads (plf)
Vert: 14-22=-10, 1-13=-100
Concentrated Loads (lb)
Vert: 25=-358



Job J1022-5009	Truss F4	Truss Type Floor	Qty 1	Ply 1	Weaver / 9 Mitchell Manor / Harnett 154887723 Job Reference (optional)
-------------------	-------------	---------------------	----------	----------	--

Comtech, Inc. Fayetteville, NC - 28314,

8.430 s Jan 6 2022 MiTek Industries, Inc. Mon Oct 24 14:25:05 2022 Page 1
ID:uB1kUybQLa2UVI5EAk1M8Myf?Wk-t2Yggfy1IK7nFsCmR6y5rCtNT1EWGSItEIVJsyQAbi

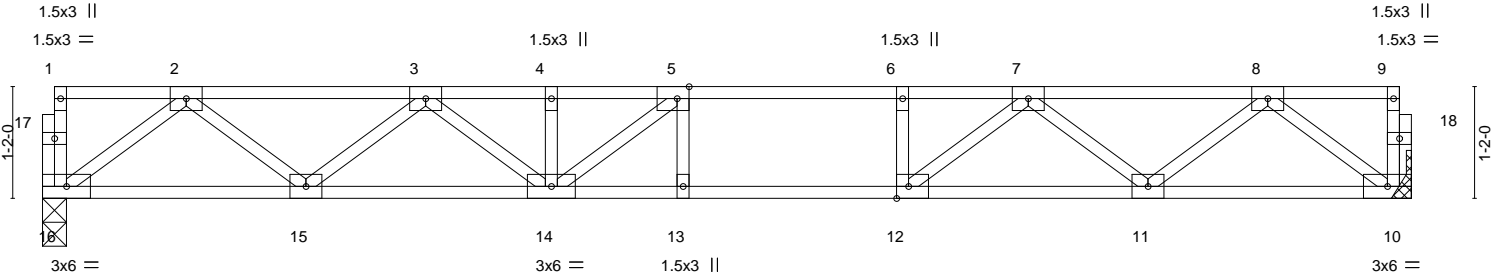
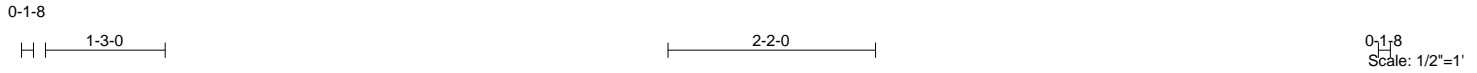


Plate Offsets (X,Y)--	[5:0-1-8,Edge], [12:0-1-8,Edge]
-----------------------	---------------------------------

LOADING (psf)	SPACING-	2-0-0	CSI.	DEFL.	in (loc)	l/defl	L/d	PLATES	GRIP
TCLL 40.0	Plate Grip DOL	1.00	TC 0.56	Vert(LL)	-0.17 13-14	>999	480	MT20	244/190
TCDL 10.0	Lumber DOL	1.00	BC 0.79	Vert(CT)	-0.22 13-14	>757	360		
BCLL 0.0	Rep Stress Incr	YES	WB 0.37	Horz(CT)	0.04 10	n/a	n/a		
BCDL 5.0	Code IRC2015/TPI2014		Matrix-S						
								Weight: 72 lb	FT = 20%F, 11%E

LUMBER-	BRACING-
TOP CHORD 2x4 SP No.1(flat)	TOP CHORD Structural wood sheathing directly applied or 6-0-0 oc purlins, except end verticals.
BOT CHORD 2x4 SP No.1(flat)	BOT CHORD Rigid ceiling directly applied or 10-0-0 oc bracing.
WEBS 2x4 SP No.3(flat)	

REACTIONS. (size) 16=0-3-0, 10=Mechanical
Max Grav 16=766(LC 1), 10=766(LC 1)

FORCES. (lb) - Max. Comp./Max. Ten. - All forces 250 (lb) or less except when shown.
TOP CHORD 2-3=-1545/0, 3-4=-2437/0, 4-5=-2437/0, 5-6=-2528/0, 6-7=-2528/0, 7-8=-1534/0
BOT CHORD 15-16=0/951, 14-15=0/2109, 13-14=0/2528, 12-13=0/2528, 11-12=0/2108, 10-11=0/951
WEBS 2-16=-1191/0, 2-15=0/773, 3-15=-734/0, 3-14=0/418, 5-14=-447/144, 8-10=-1191/0, 8-11=0/759, 7-11=-748/0, 7-12=0/715, 6-12=-315/0

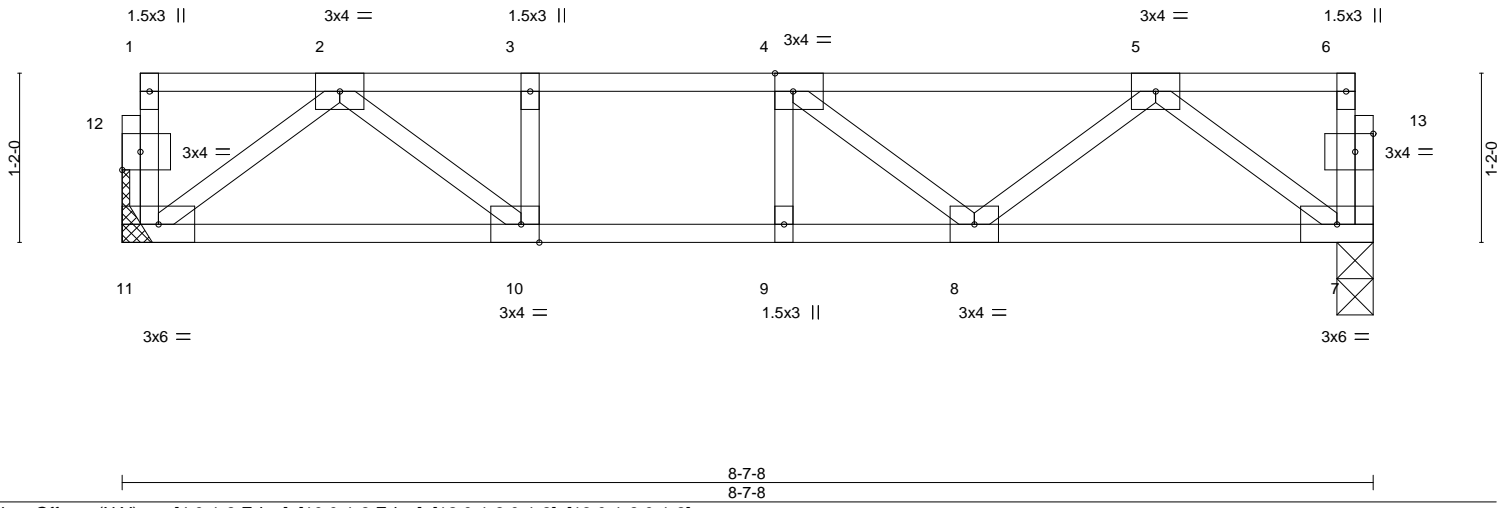
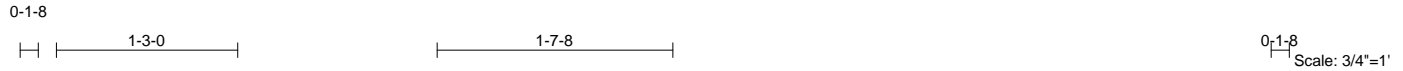
- NOTES-**
- 1) Unbalanced floor live loads have been considered for this design.
 - 2) All plates are 3x4 MT20 unless otherwise indicated.
 - 3) Plates checked for a plus or minus 1 degree rotation about its center.
 - 4) Refer to girder(s) for truss to truss connections.
 - 5) Recommend 2x6 strongbacks, on edge, spaced at 10-0-0 oc and fastened to each truss with 3-10d (0.131" X 3") nails. Strongbacks to be attached to walls at their outer ends or restrained by other means.



Job J1022-5009	Truss F5	Truss Type Floor	Qty 1	Ply 1	Weaver / 9 Mitchell Manor / Harnett Job Reference (optional)	I54887724
-------------------	-------------	---------------------	----------	----------	---	-----------

Comtech, Inc. Fayetteville, NC - 28314,

8.430 s Jan 6 2022 MiTek Industries, Inc. Mon Oct 24 14:25:06 2022 Page 1
ID:uB1kUybQLa2UVI5Eak1M8Myf?Wk-ME62u_yfWeFes0ny?qUKOPPcMRgX?x50iuV2rJyQAAbh



LOADING (psf)	SPACING-	CSI.	DEFL.	PLATES	GRIP
TCLL 40.0	2-0-0	TC 0.30	in (loc) l/defl L/d	MT20	244/190
TCDL 10.0	Plate Grip DOL 1.00	BC 0.42	Vert(LL) -0.05 8-9 >999 480		
BCLL 0.0	Lumber DOL 1.00	WB 0.23	Vert(CT) -0.06 8-9 >999 360		
BCDL 5.0	Rep Stress Incr YES	Matrix-S	Horz(CT) 0.01 7 n/a n/a		
	Code IRC2015/TPI2014			Weight: 44 lb	FT = 20%F, 11%E

LUMBER-	BRACING-
TOP CHORD 2x4 SP No.1(flat)	TOP CHORD Structural wood sheathing directly applied or 6-0-0 oc purlins, except end verticals.
BOT CHORD 2x4 SP No.1(flat)	BOT CHORD Rigid ceiling directly applied or 10-0-0 oc bracing.
WEBS 2x4 SP No.3(flat)	

REACTIONS. (size) 11=Mechanical, 7=0-3-0
Max Grav 11=454(LC 1), 7=454(LC 1)

FORCES. (lb) - Max. Comp./Max. Ten. - All forces 250 (lb) or less except when shown.
TOP CHORD 2-3=-890/0, 3-4=-890/0, 4-5=-760/0
BOT CHORD 10-11=0/521, 9-10=0/890, 8-9=0/890, 7-8=0/557
WEBS 2-11=-649/0, 2-10=0/493, 5-7=-697/0, 5-8=0/264

- NOTES-**
- 1) Unbalanced floor live loads have been considered for this design.
 - 2) Plates checked for a plus or minus 1 degree rotation about its center.
 - 3) Refer to girder(s) for truss to truss connections.
 - 4) Recommend 2x6 strongbacks, on edge, spaced at 10-0-0 oc and fastened to each truss with 3-10d (0.131" X 3") nails. Strongbacks to be attached to walls at their outer ends or restrained by other means.



Job	Truss	Truss Type	Qty	Ply	Weaver / 9 Mitchell Manor / Harnett	154887726
J1022-5009	KW2	GABLE	1	1	Job Reference (optional)	

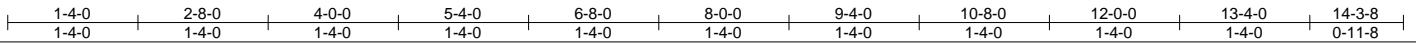
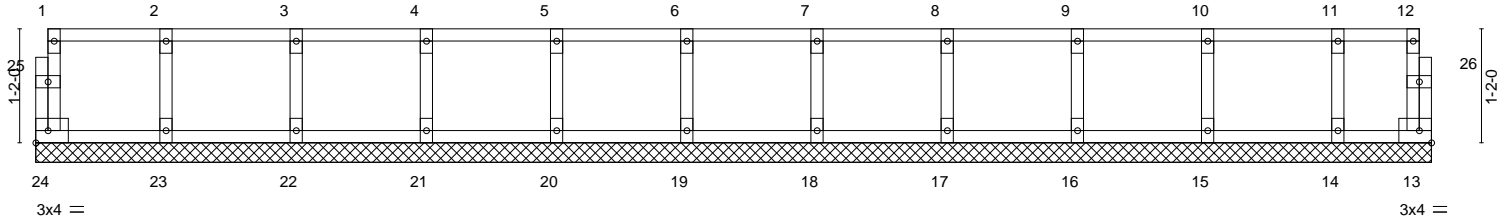
Comtech, Inc. Fayetteville, NC - 28314,

8.430 s Jan 6 2022 MiTek Industries, Inc. Mon Oct 24 14:25:08 2022 Page 1
 ID:uB1kUybQLa2UVI5EAK1M8Myf?Wk-IdEplg_v2FVM6KxL7FWoTqV0cERLTumJ9C_9vByQAbf

0-1-8

0-1-8

Scale = 1:23.6



LOADING (psf)	SPACING-	2-0-0	CSI.	DEFL.	in (loc)	l/defl	L/d	PLATES	GRIP	
TCLL 40.0	Plate Grip DOL	1.00	TC 0.06	Vert(LL)	n/a	-	n/a	999	MT20	244/190
TCDL 10.0	Lumber DOL	1.00	BC 0.01	Vert(CT)	n/a	-	n/a	999		
BCLL 0.0	Rep Stress Incr	YES	WB 0.03	Horz(CT)	0.00	13	n/a	n/a		
BCDL 5.0	Code IRC2015/TPI2014		Matrix-R							
									Weight: 61 lb	FT = 20%F, 11%E

LUMBER-	BRACING-
TOP CHORD 2x4 SP No.1(flat)	TOP CHORD Structural wood sheathing directly applied or 6-0-0 oc purlins, except end verticals.
BOT CHORD 2x4 SP No.1(flat)	BOT CHORD Rigid ceiling directly applied or 10-0-0 oc bracing.
WEBS 2x4 SP No.3(flat)	
OTHERS 2x4 SP No.3(flat)	

REACTIONS. All bearings 14-3-8.
 (lb) - Max Grav All reactions 250 lb or less at joint(s) 24, 13, 23, 22, 21, 20, 19, 18, 17, 16, 15, 14

FORCES. (lb) - Max. Comp./Max. Ten. - All forces 250 (lb) or less except when shown.

- NOTES-**
- 1) All plates are 1.5x3 MT20 unless otherwise indicated.
 - 2) Plates checked for a plus or minus 1 degree rotation about its center.
 - 3) Gable requires continuous bottom chord bearing.
 - 4) Truss to be fully sheathed from one face or securely braced against lateral movement (i.e. diagonal web).
 - 5) Gable studs spaced at 1-4-0 oc.
 - 6) Recommend 2x6 strongbacks, on edge, spaced at 10-0-0 oc and fastened to each truss with 3-10d (0.131" X 3") nails. Strongbacks to be attached to walls at their outer ends or restrained by other means.



Job J1022-5009	Truss KW3	Truss Type GABLE	Qty 1	Ply 1	Weaver / 9 Mitchell Manor / Harnett Job Reference (optional)	154887727
-------------------	--------------	---------------------	----------	----------	---	-----------

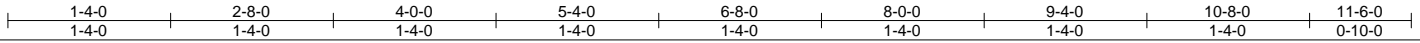
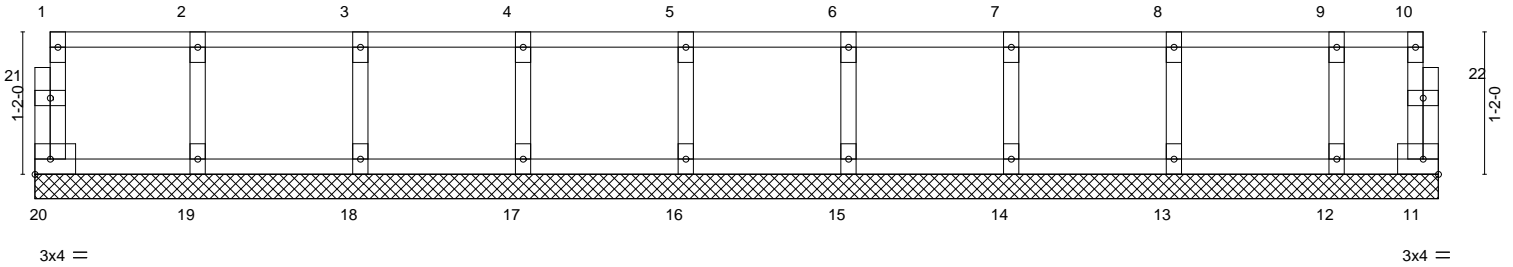
Comtech, Inc. Fayetteville, NC - 28314,

8.430 s Jan 6 2022 MiTek Industries, Inc. Mon Oct 24 14:25:08 2022 Page 1
ID:uB1kUybQLa2UVI5EAK1M8Myf?Wk-ldEplg_v2FVM6KxL7FWoTqV0bERJTumJ9C_9vByQAbf

0,1:8

0,1:8

Scale = 1:18.9



LOADING (psf)	SPACING-	2-0-0	CSI.	DEFL.	in (loc)	l/defl	L/d	PLATES	GRIP	
TCLL 40.0	Plate Grip DOL	1.00	TC 0.06	Vert(LL)	n/a	-	n/a	999	MT20	244/190
TCDL 10.0	Lumber DOL	1.00	BC 0.01	Vert(CT)	n/a	-	n/a	999		
BCLL 0.0	Rep Stress Incr	YES	WB 0.03	Horz(CT)	0.00	11	n/a	n/a		
BCDL 5.0	Code IRC2015/TPI2014		Matrix-R							
									Weight: 50 lb	FT = 20%F, 11%E

LUMBER-
 TOP CHORD 2x4 SP No.1(flat)
 BOT CHORD 2x4 SP No.1(flat)
 WEBS 2x4 SP No.3(flat)
 OTHERS 2x4 SP No.3(flat)

BRACING-
 TOP CHORD Structural wood sheathing directly applied or 6-0-0 oc purlins, except end verticals.
 BOT CHORD Rigid ceiling directly applied or 10-0-0 oc bracing.

REACTIONS. All bearings 11-6-0.
 (lb) - Max Grav All reactions 250 lb or less at joint(s) 20, 11, 19, 18, 17, 16, 15, 14, 13, 12

FORCES. (lb) - Max. Comp./Max. Ten. - All forces 250 (lb) or less except when shown.

- NOTES-**
- 1) All plates are 1.5x3 MT20 unless otherwise indicated.
 - 2) Plates checked for a plus or minus 1 degree rotation about its center.
 - 3) Gable requires continuous bottom chord bearing.
 - 4) Truss to be fully sheathed from one face or securely braced against lateral movement (i.e. diagonal web).
 - 5) Gable studs spaced at 1-4-0 oc.
 - 6) Recommend 2x6 strongbacks, on edge, spaced at 10-0-0 oc and fastened to each truss with 3-10d (0.131" X 3") nails. Strongbacks to be attached to walls at their outer ends or restrained by other means.



WARNING - Verify design parameters and READ NOTES ON THIS AND INCLUDED MITEK REFERENCE PAGE MII-7473 rev. 5/19/2020 BEFORE USE.
 Design valid for use only with MiTek® connectors. This design is based only upon parameters shown, and is for an individual building component, not a truss system. Before use, the building designer must verify the applicability of design parameters and properly incorporate this design into the overall building design. Bracing indicated is to prevent buckling of individual truss web and/or chord members only. Additional temporary and permanent bracing is always required for stability and to prevent collapse with possible personal injury and property damage. For general guidance regarding the fabrication, storage, delivery, erection and bracing of trusses and truss systems, see **ANSI/TPI1 Quality Criteria, DSB-89 and BCSI Building Component Safety Information** available from Truss Plate Institute, 2670 Crain Highway, Suite 203 Waldorf, MD 20601



Job J1022-5009	Truss KW4	Truss Type GABLE	Qty 1	Ply 1	Weaver / 9 Mitchell Manor / Harnett 154887728
-------------------	--------------	---------------------	----------	----------	--

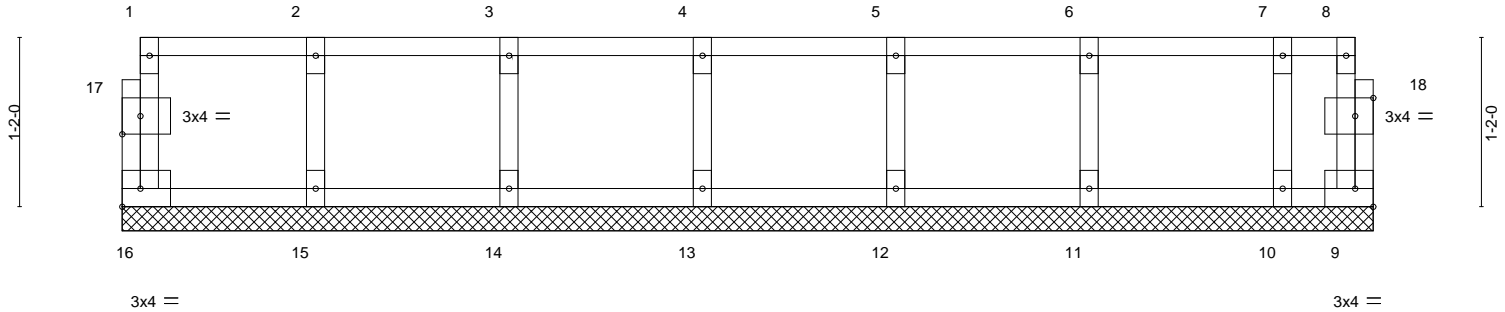
Comtech, Inc. Fayetteville, NC - 28314,

8.430 s Jan 6 2022 MiTek Industries, Inc. Mon Oct 24 14:25:09 2022 Page 1
ID:uB1kUyQLa2UVI5EAk1M8Myf?Wk-mpnBW0?XpZdDjUWxgy11021BLenVCL0S0SjSeyQAbe

0'-1-8"

0'-1-8"

Scale: 3/4"=1'



1-4-0	2-8-0	4-0-0	5-4-0	6-8-0	8-0-0	8-7-8
1-4-0	1-4-0	1-4-0	1-4-0	1-4-0	1-4-0	0-7-8

Plate Offsets (X,Y)-- [17:0-1-8,0-1-8], [18:0-1-8,0-1-8]

LOADING (psf)	SPACING-	2-0-0	CSI.	DEFL.	in (loc)	l/defl	L/d	PLATES	GRIP
TCLL 40.0	Plate Grip DOL	1.00	TC 0.06	Vert(LL)	n/a	-	n/a	MT20	244/190
TCDL 10.0	Lumber DOL	1.00	BC 0.02	Vert(CT)	n/a	-	n/a		
BCLL 0.0	Rep Stress Incr	YES	WB 0.03	Horz(CT)	0.00	9	n/a		
BCDL 5.0	Code IRC2015/TPI2014		Matrix-R						
								Weight: 38 lb	FT = 20%F, 11%E

LUMBER-	BRACING-
TOP CHORD 2x4 SP No.1(flat)	TOP CHORD Structural wood sheathing directly applied or 6-0-0 oc purlins, except end verticals.
BOT CHORD 2x4 SP No.1(flat)	BOT CHORD Rigid ceiling directly applied or 10-0-0 oc bracing.
WEBS 2x4 SP No.3(flat)	
OTHERS 2x4 SP No.3(flat)	

REACTIONS. All bearings 8-7-8.
(lb) - Max Grav All reactions 250 lb or less at joint(s) 16, 9, 15, 14, 13, 12, 11, 10

FORCES. (lb) - Max. Comp./Max. Ten. - All forces 250 (lb) or less except when shown.

- NOTES-**
- All plates are 1.5x3 MT20 unless otherwise indicated.
 - Plates checked for a plus or minus 1 degree rotation about its center.
 - Gable requires continuous bottom chord bearing.
 - Truss to be fully sheathed from one face or securely braced against lateral movement (i.e. diagonal web).
 - Gable studs spaced at 1-4-0 oc.
 - Recommend 2x6 strongbacks, on edge, spaced at 10-0-0 oc and fastened to each truss with 3-10d (0.131" X 3") nails. Strongbacks to be attached to walls at their outer ends or restrained by other means.



October 25, 2022

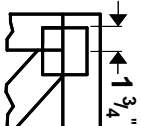
WARNING - Verify design parameters and READ NOTES ON THIS AND INCLUDED MITEK REFERENCE PAGE MII-7473 rev. 5/19/2020 BEFORE USE.
Design valid for use only with MiTek® connectors. This design is based only upon parameters shown, and is for an individual building component, not a truss system. Before use, the building designer must verify the applicability of design parameters and properly incorporate this design into the overall building design. Bracing indicated is to prevent buckling of individual truss web and/or chord members only. Additional temporary and permanent bracing is always required for stability and to prevent collapse with possible personal injury and property damage. For general guidance regarding the fabrication, storage, delivery, erection and bracing of trusses and truss systems, see **ANSI/TPI1 Quality Criteria, DSB-89 and BCSI Building Component Safety Information** available from Truss Plate Institute, 2670 Crain Highway, Suite 203 Waldorf, MD 20601



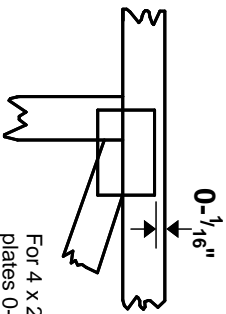
818 Soundside Road
Edenton, NC 27932

Symbols

PLATE LOCATION AND ORIENTATION



Center plate on joint unless x, y offsets are indicated. Dimensions are in ft-in-sixteenths. Apply plates to both sides of truss and fully embed teeth.



For 4 x 2 orientation, locate plates 0- 1/16" from outside edge of truss.



This symbol indicates the required direction of slots in connector plates.

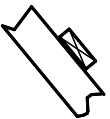
* Plate location details available in **MITek 20/20 software** or upon request.

PLATE SIZE

4 X 4

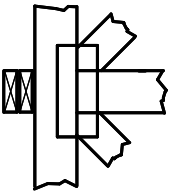
The first dimension is the plate width measured perpendicular to slots. Second dimension is the length parallel to slots.

LATERAL BRACING LOCATION



Indicated by symbol shown and/or by text in the bracing section of the output. Use T or I bracing if indicated.

BEARING



Indicates location where bearings (supports) occur. Icons vary but reaction section indicates joint number where bearings occur. Min size shown is for crushing only.

Industry Standards:

ANSI/TP1: National Design Specification for Metal Plate Connected Wood Truss Construction.
DSB-89: Design Standard for Bracing, Building Component Safety Information, Guide to Good Practice for Handling, Installing & Bracing of Metal Plate Connected Wood Trusses.

Numbering System

6-4-8
dimensions shown in ft-in-sixteenths
(Drawings not to scale)



JOINTS ARE GENERALLY NUMBERED/LETTERED CLOCKWISE AROUND THE TRUSS STARTING AT THE JOINT FARTHEST TO THE LEFT.

CHORDS AND WEBS ARE IDENTIFIED BY END JOINT NUMBERS/LETTERS.

PRODUCT CODE APPROVALS

ICC-ES Reports:

ESR-1311, ESR-1352, ESR1988
ER-3907, ESR-2362, ESR-1397, ESR-3282

Trusses are designed for wind loads in the plane of the truss unless otherwise shown.

Lumber design values are in accordance with ANSI/TP1 section 6.3 These truss designs rely on lumber values established by others.

© 2012 MITteK® All Rights Reserved



MITek Engineering Reference Sheet: Mill-7473 rev. 5/19/2020



General Safety Notes

Failure to Follow Could Cause Property Damage or Personal Injury

1. Additional stability bracing for truss system, e.g. diagonal or X-bracing, is always required. See BCSI.
2. Truss bracing must be designed by an engineer. For wide truss spacing, individual lateral braces themselves may require bracing, or alternative Tor I bracing should be considered.
3. Never exceed the design loading shown and never stack materials on inadequately braced trusses.
4. Provide copies of this truss design to the building designer, erection supervisor, property owner and all other interested parties.
5. Cut members to bear tightly against each other.
6. Place plates on each face of truss at each joint and embed fully. Knots and wane at joint locations are regulated by ANSI/TP1 1.
7. Design assumes trusses will be suitably protected from the environment in accord with ANSI/TP1 1.
8. Unless otherwise noted, moisture content of lumber shall not exceed 19% at time of fabrication.
9. Unless expressly noted, this design is not applicable for use with fire retardant, preservative treated, or green lumber.
10. Camber is a non-structural consideration and is the responsibility of truss fabricator. General practice is to camber for dead load deflection.
11. Plate type, size, orientation and location dimensions indicated are minimum plating requirements.
12. Lumber used shall be of the species and size, and in all respects, equal to or better than that specified.
13. Top chords must be sheathed or purlins provided at spacing indicated on design.
14. Bottom chords require lateral bracing at 10 ft. spacing, or less, if no ceiling is installed, unless otherwise noted.
15. Connections not shown are the responsibility of others.
16. Do not cut or alter truss member or plate without prior approval of an engineer.
17. Install and load vertically unless indicated otherwise.
18. Use of green or treated lumber may pose unacceptable environmental, health or performance risks. Consult with project engineer before use.
19. Review all portions of this design (front, back, words and pictures) before use. Rewriting pictures alone is not sufficient.
20. Design assumes manufacture in accordance with ANSI/TP1 1 Quality Criteria.
21. The design does not take into account any dynamic or other loads other than those expressly stated.