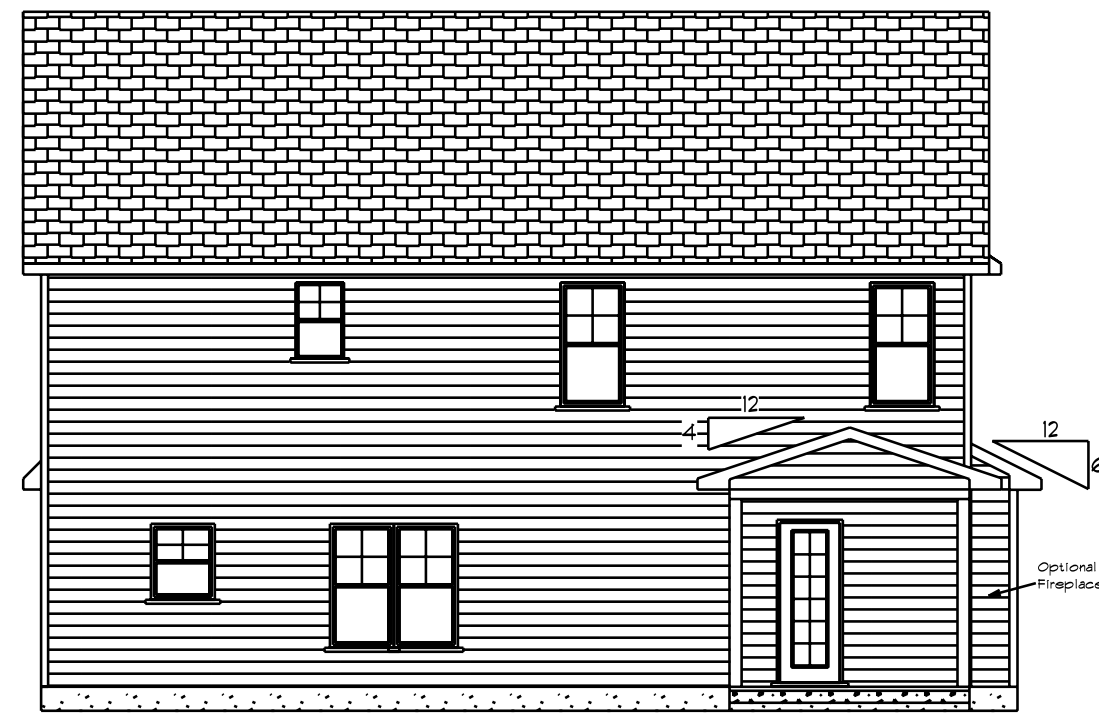




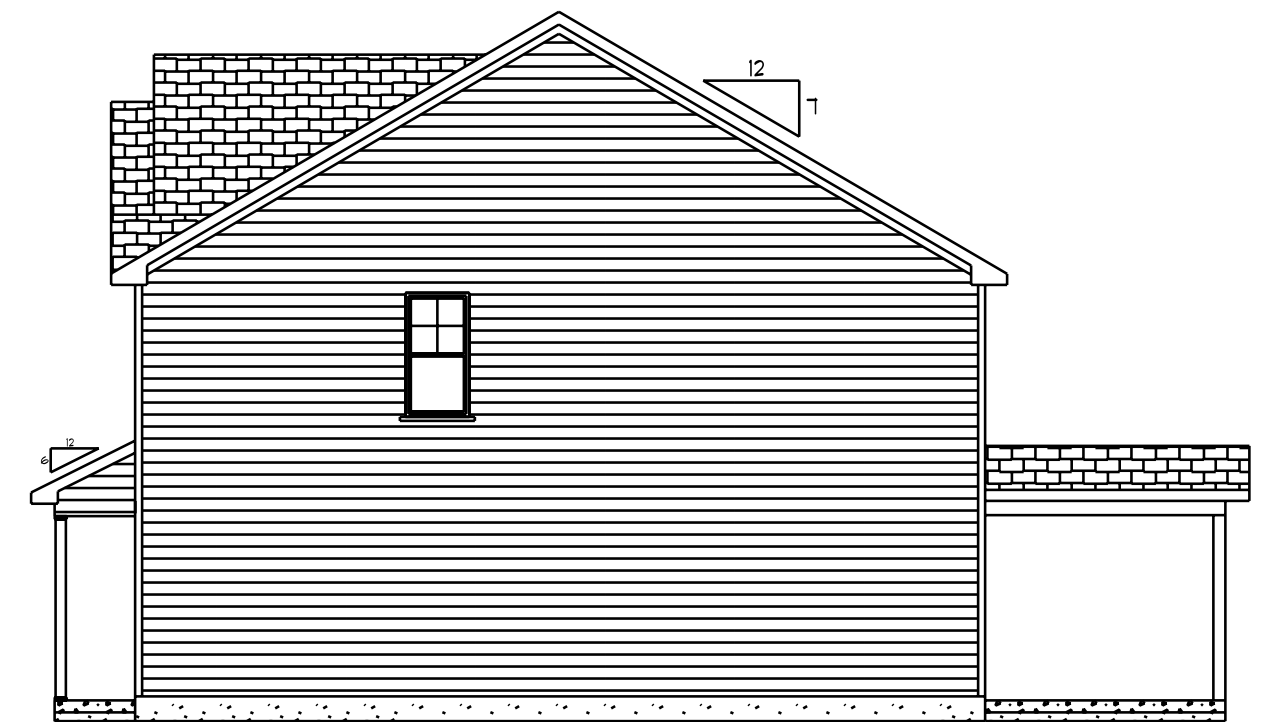
Front Elevation
Scale: 1/4" = 1'0"



Left Elevation
Scale: 1/4" = 1'0"



Rear Elevation
Scale: 1/4" = 1'0"



Right Elevation
Scale: 1/4" = 1'0"

DATE: Thursday, October 6, 2022

REVISID

DRAWING*

SCALE: 1/4"

DRAWN BY

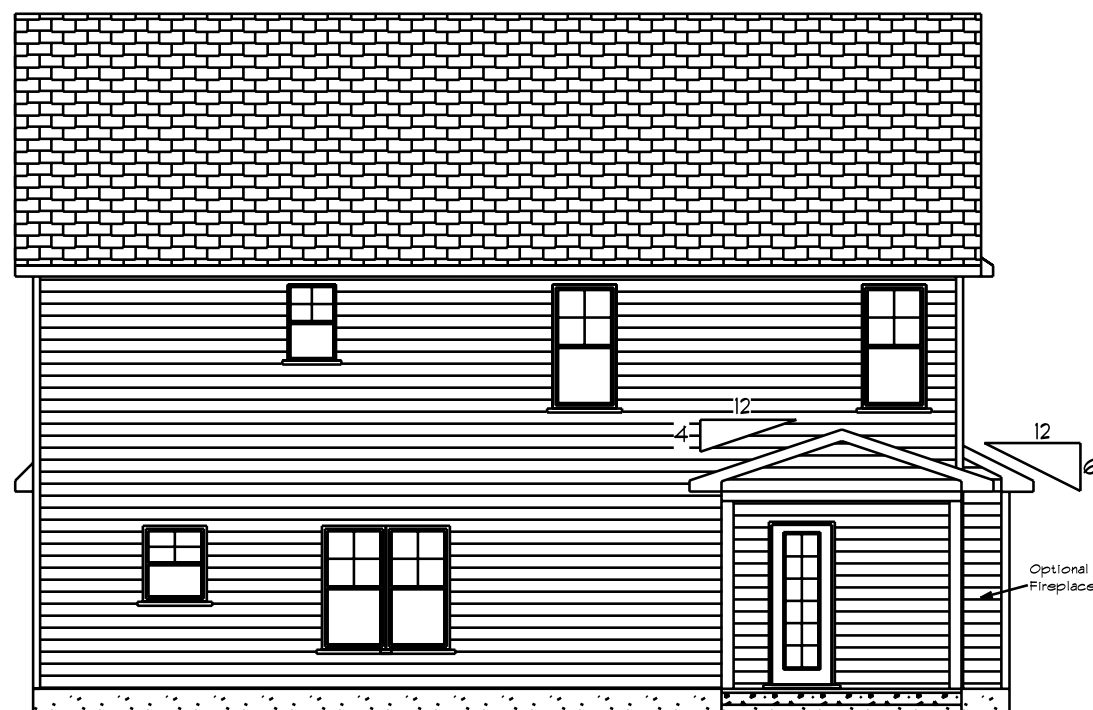
APPROVED

The Cypress EIV.A

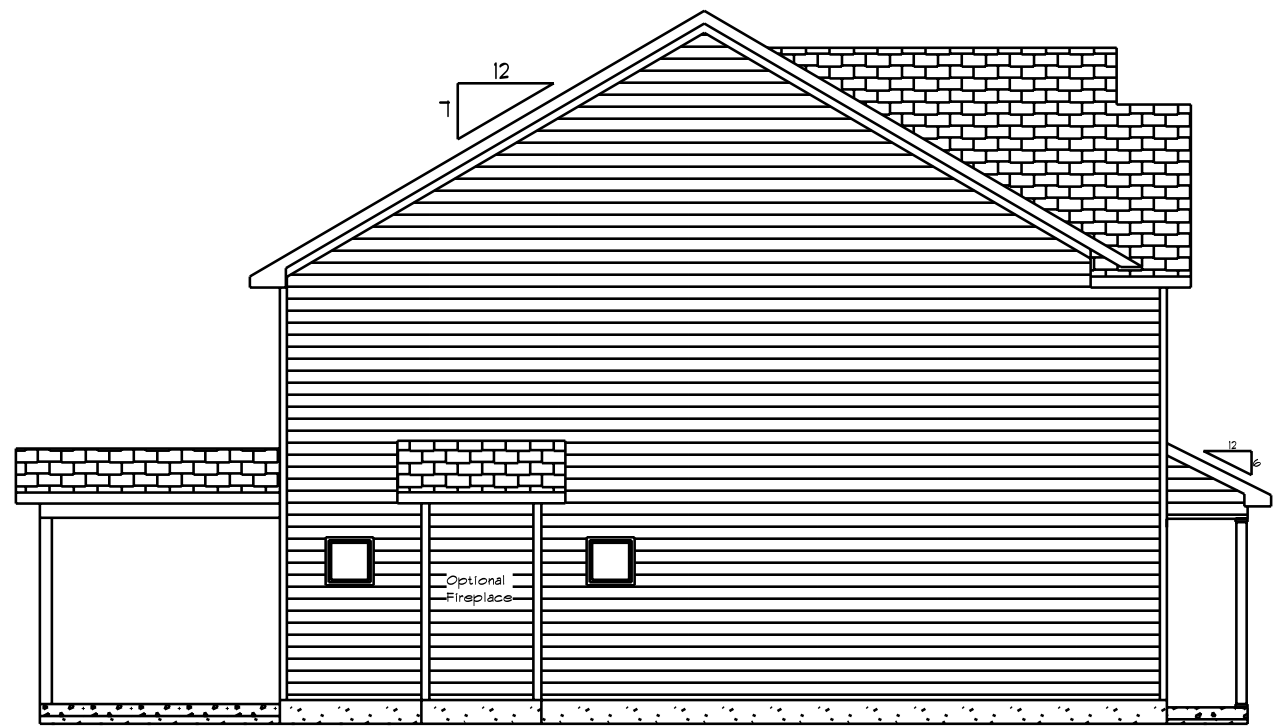
BBH-2052



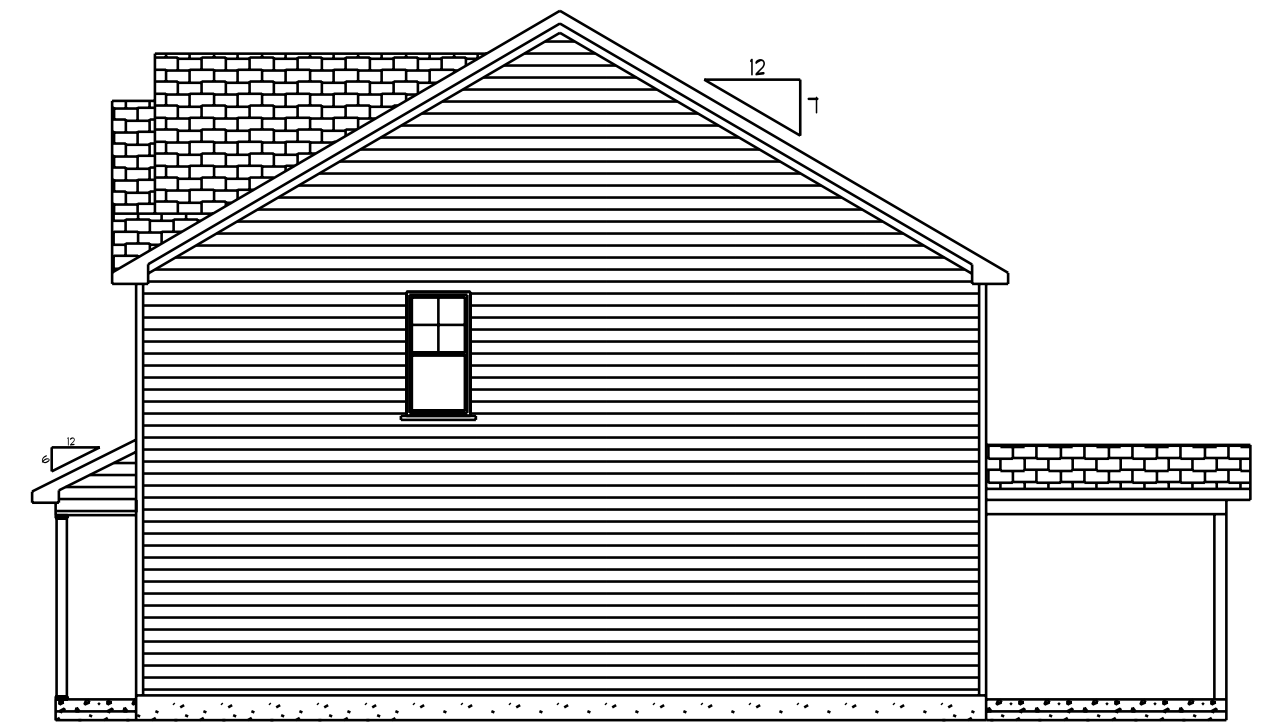
Front Elevation
Scale: 1/4" = 1'0"



Rear Elevation
Scale: 1/4" = 1'0"



Left Elevation
Scale: 1/4" = 1'0"



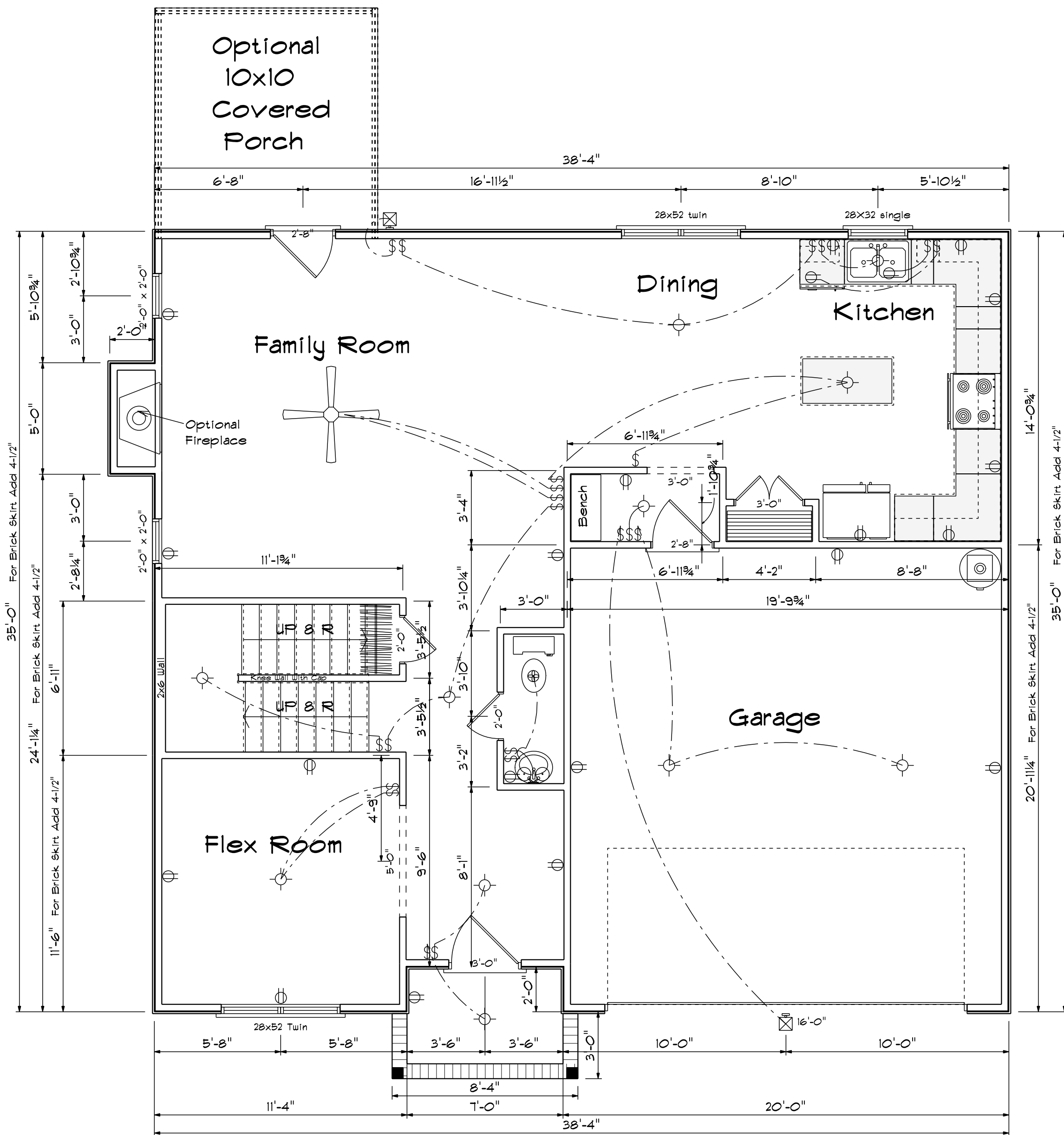
Right Elevation
Scale: 1/4" = 1'0"

DATE: Thursday, October 6, 2022
REVISIONS
DRAWING#

SCALE: 1/4"
DRAWN BY
APPROVED

The Cypress EIV.B

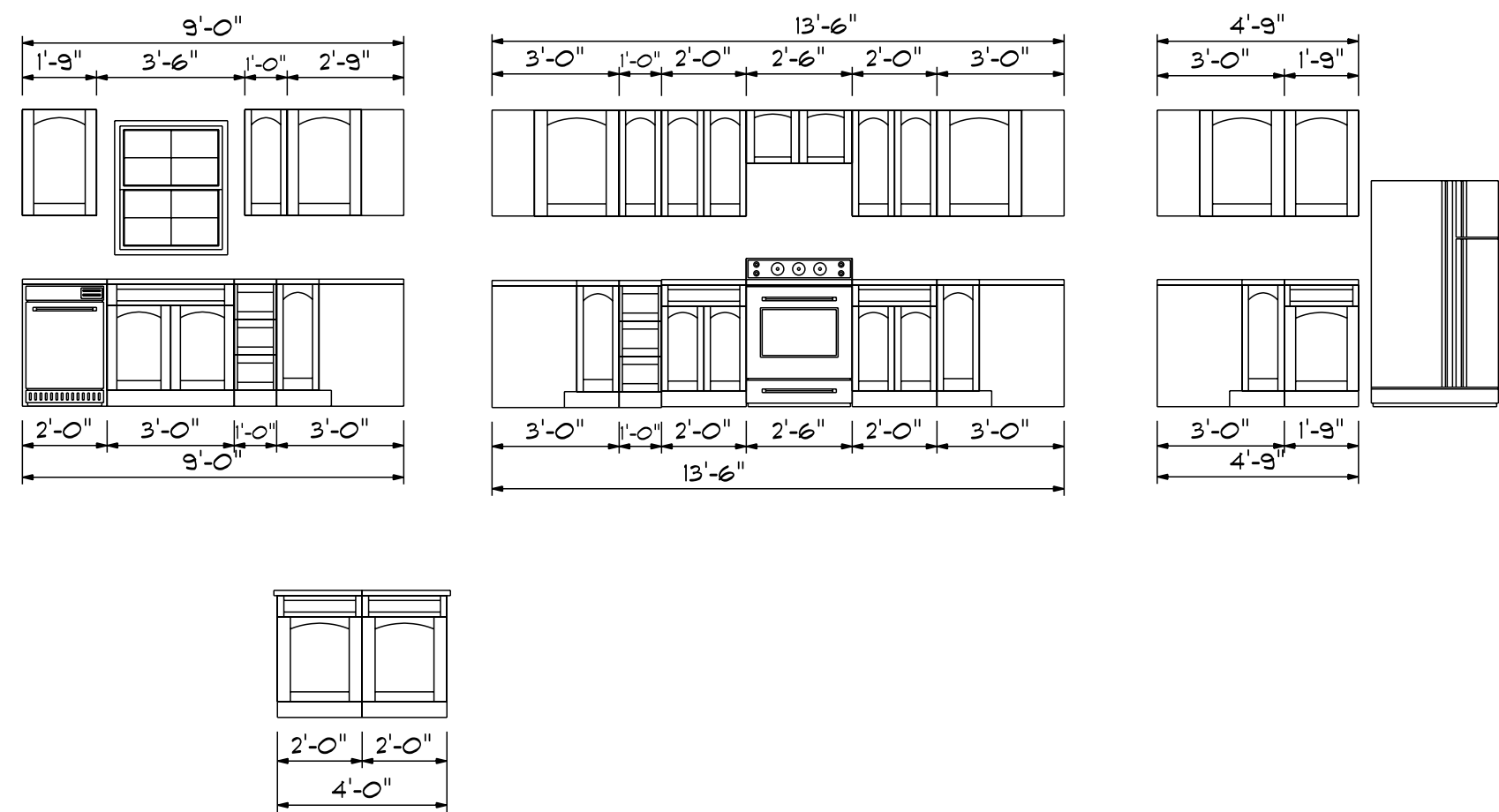
BBH-2052



First Floor Plan

Scale: 1/4" = 1'-0"

Kitchen Cabinets



FIRST FLOOR OPENING SCHEDULE			
PRODUCT CODE	SIZE	HINGE	COUNT
36X80 COLONIAL A	3'-0"	R	1
7X16 GARAGE DOOR	16'-0"	U	1
72X80 SLIDING FRENCH 2	6'-0"	NL	1
20 colonial	2'-0"	L	1
20 colonial	2'-0"	R	1
30 doublehung colonial	3'-0"	LR	1
32X80 COLONIAL A 1	2'-8"	R	1
24X24 CASEMENT 1	2'-0" x 2'-0"	N	2
28x52 Twin	5'-4" x 5'-2"	NA	1
28x52 twin	5'-4" x 5'-2"	NA	1
28x32 single	2'-8" x 3'-2"	N	1

Areas

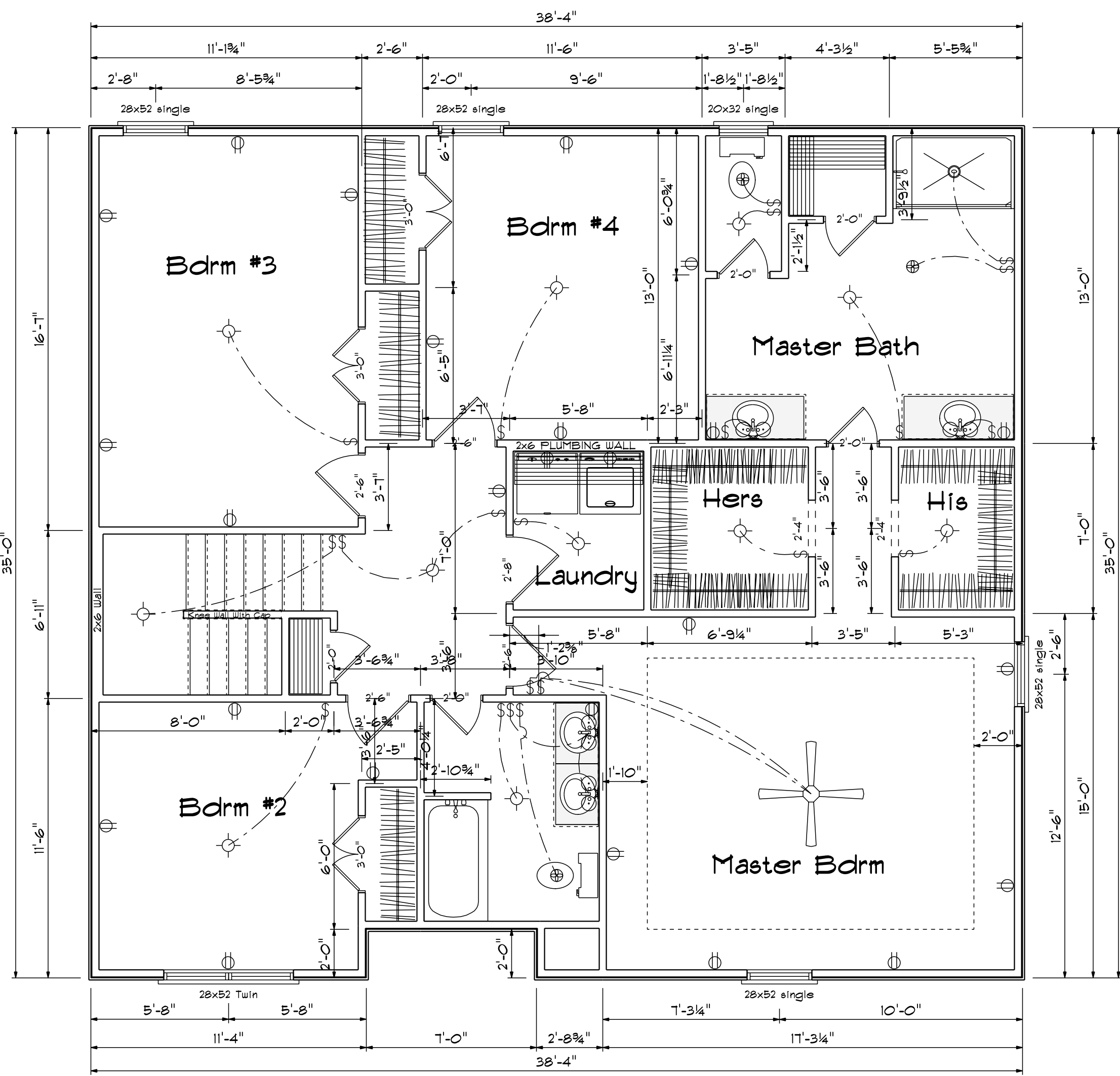
First Floor	929
Second Floor	1270
=====	
Total Heated	2199
Garage	413
Porch	69

DATE: Thursday, October 6, 2022
 REVISED
 DRAWING#

SCALE: 1/4"
 DRAWN BY
 APPROVED

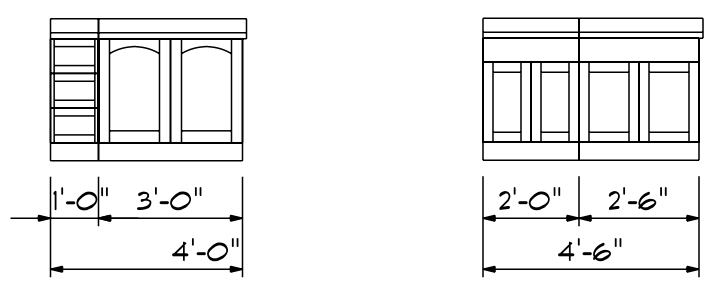
The Cypress

BBH-2052

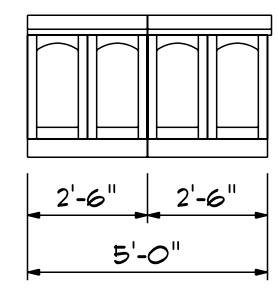


Second Floor Plan
 Scale: 1/4" = 1'-0"

Master Bath Cabinets



Hall Bath Cabinets



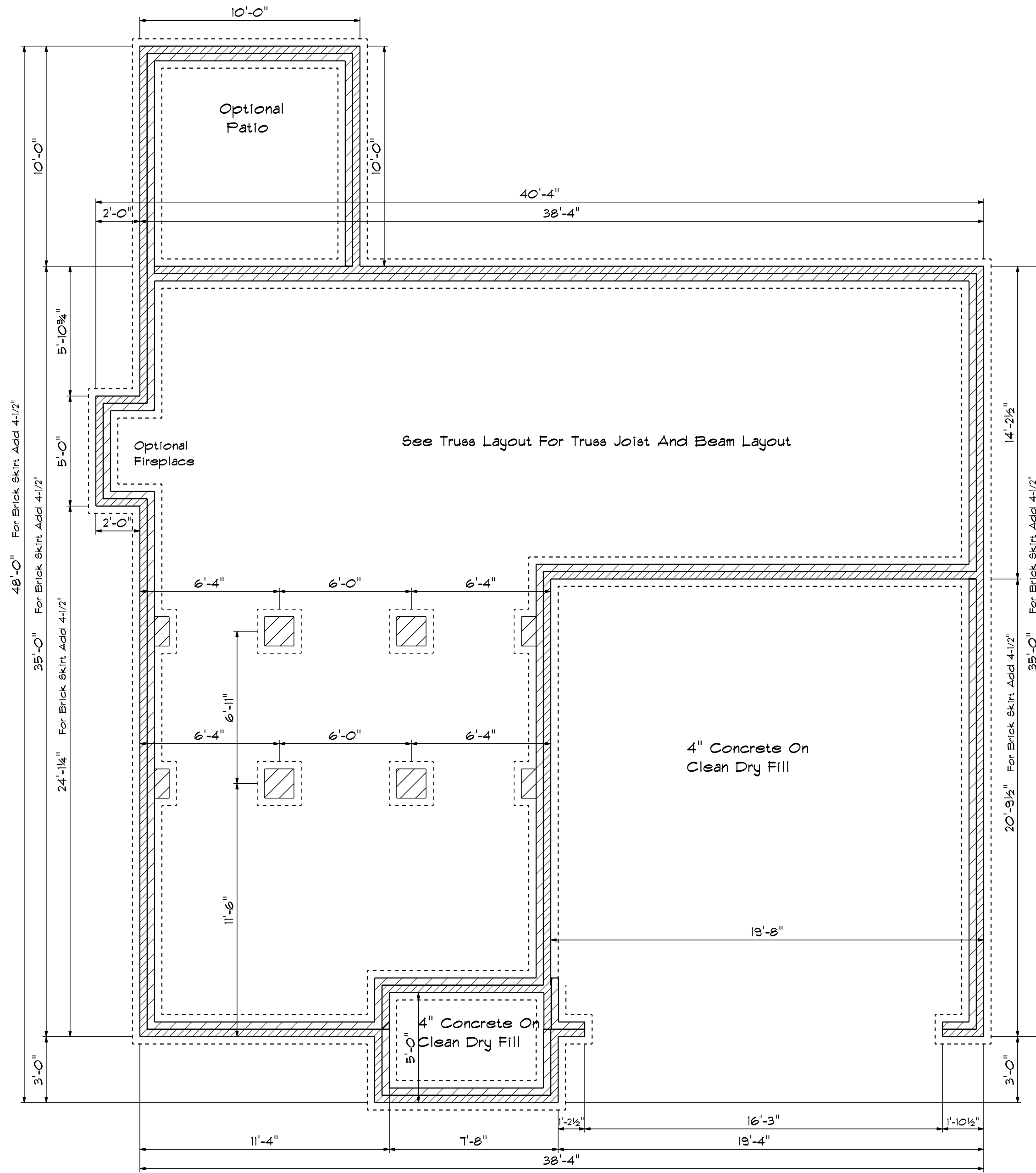
SECOND FLOOR OPENING SCHEDULE			
PRODUCT CODE	SIZE	HINGE	COUNT
2-0 Door Unit	2'-0"	R	1
20 cased opening	2'-0"	N	2
20 colonial	2'-0"	R	3
26 colonial	2'-6"	L	4
3-0 Doublehung Door Unit	4'-0"	LR	3
28 colonial	2'-8"	R	1
20x32 single	2'-0" x 3'-2"	N	1
28x52 Twin	5'-4" x 5'-2"	NA	1
28x52 single	2'-8" x 5'-2"	N	4

DATE: Thursday, October 6, 2022
 REVISED
 DRAWING#

SCALE: 1/4"
 DRAWN BY
 APPROVED

The Cypress

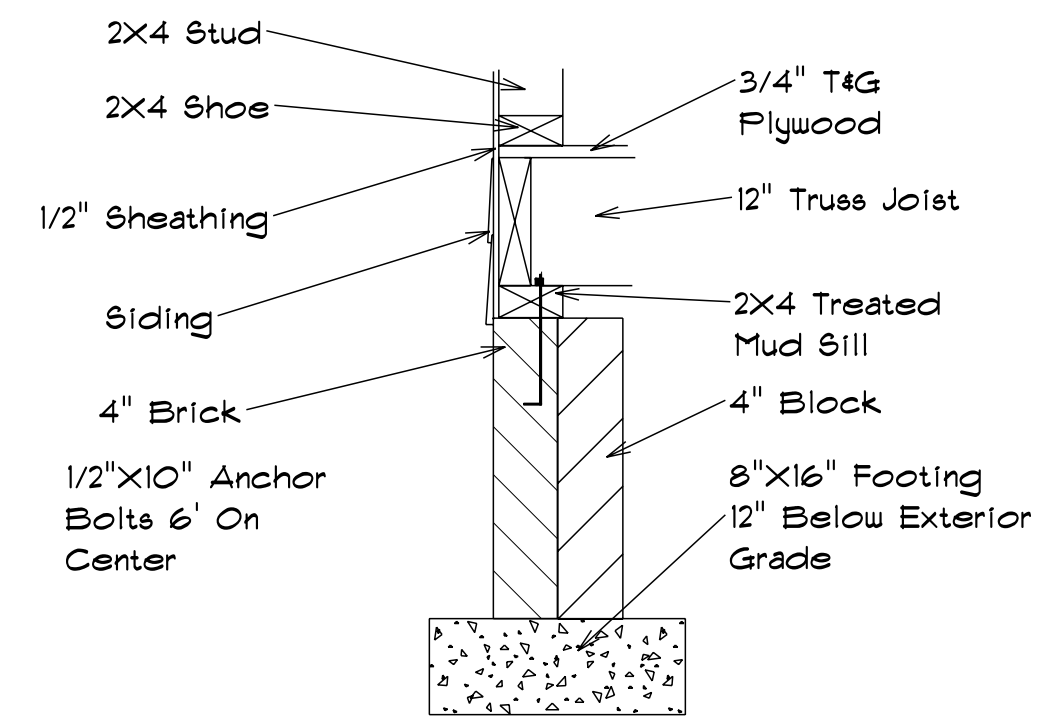
BBH-2052



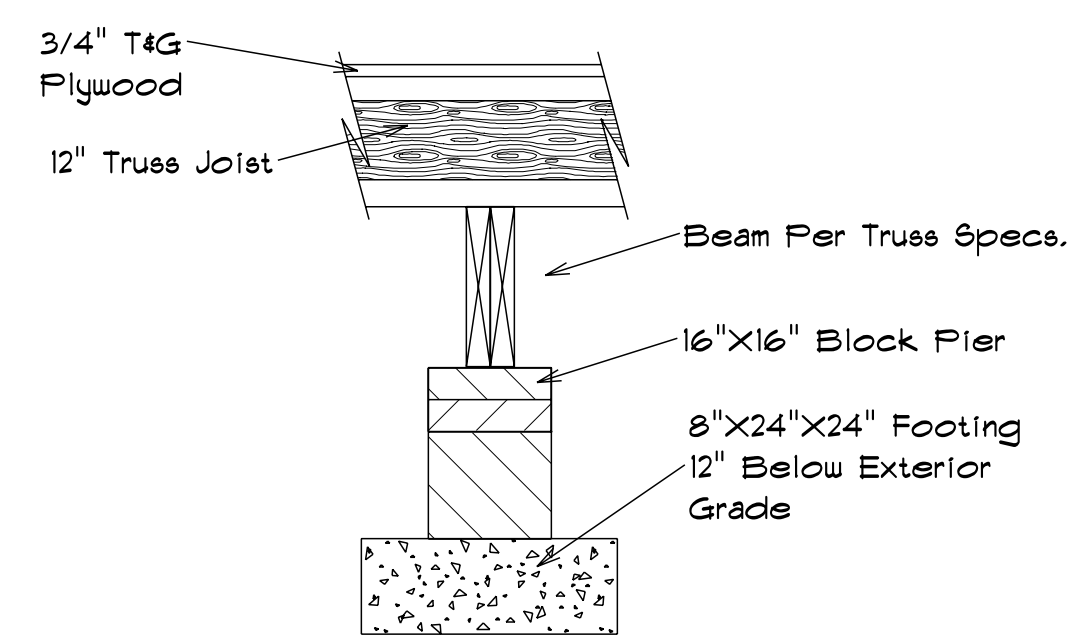
Foundation Plan

Scale: 1/4" = 1'-0"

Foundation Detail



Footing & Pier Detail

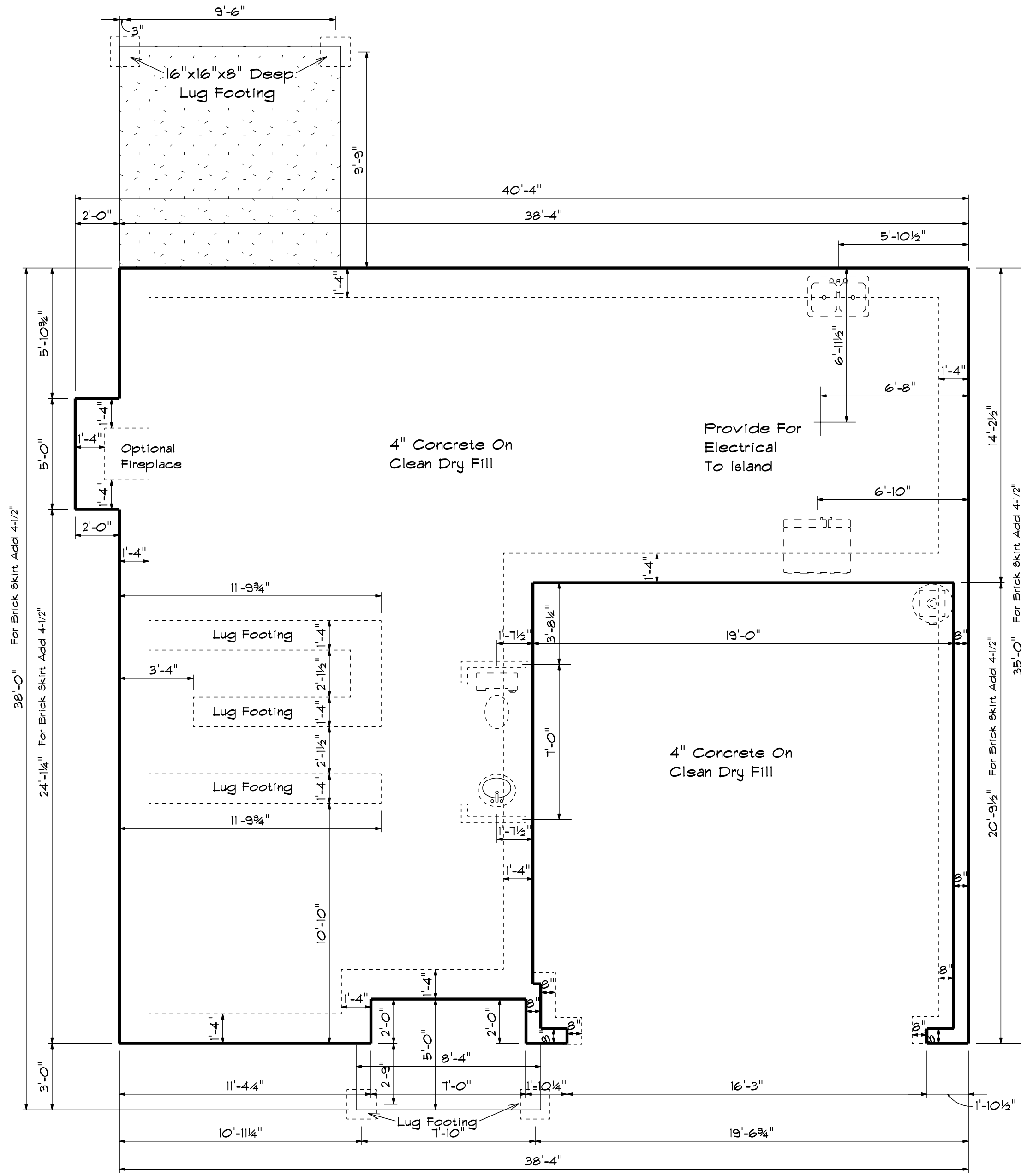


DATE: Thursday, October 6, 2022
 REVISED
 DRAWING#

SCALE: 1/4"
 DRAWN BY
 APPROVED

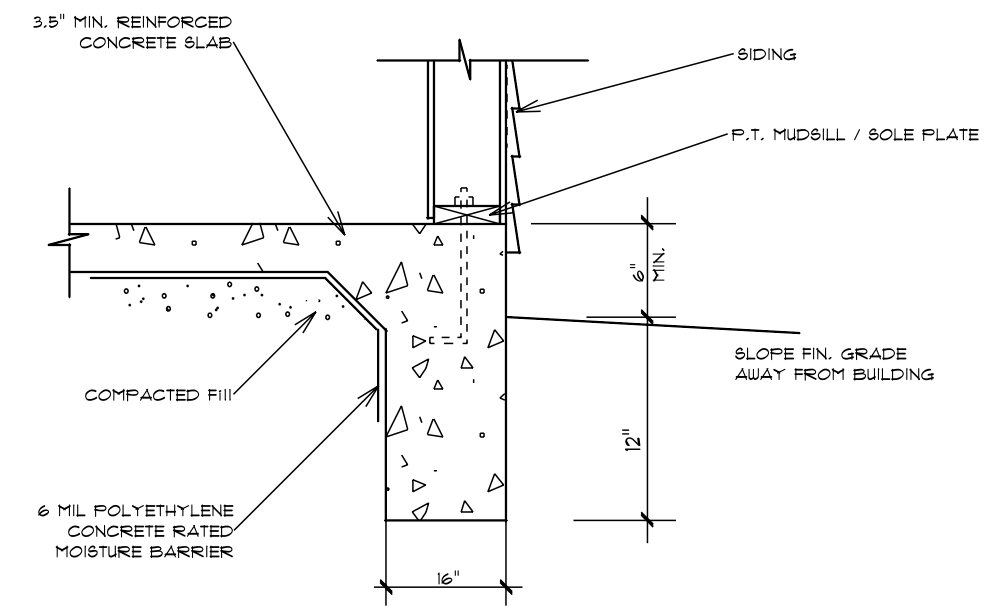
The Cypress

BBH-2052

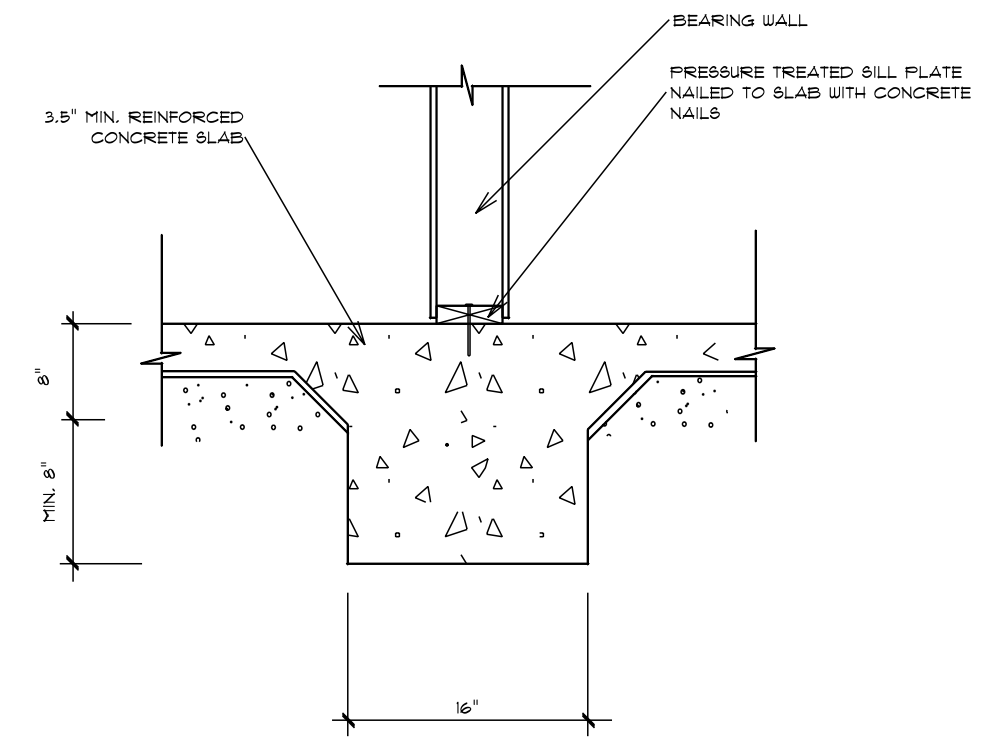


Foundation Plan

Scale: 1/4" = 1'-0"



TURN-DOWN FOOTING DETAIL



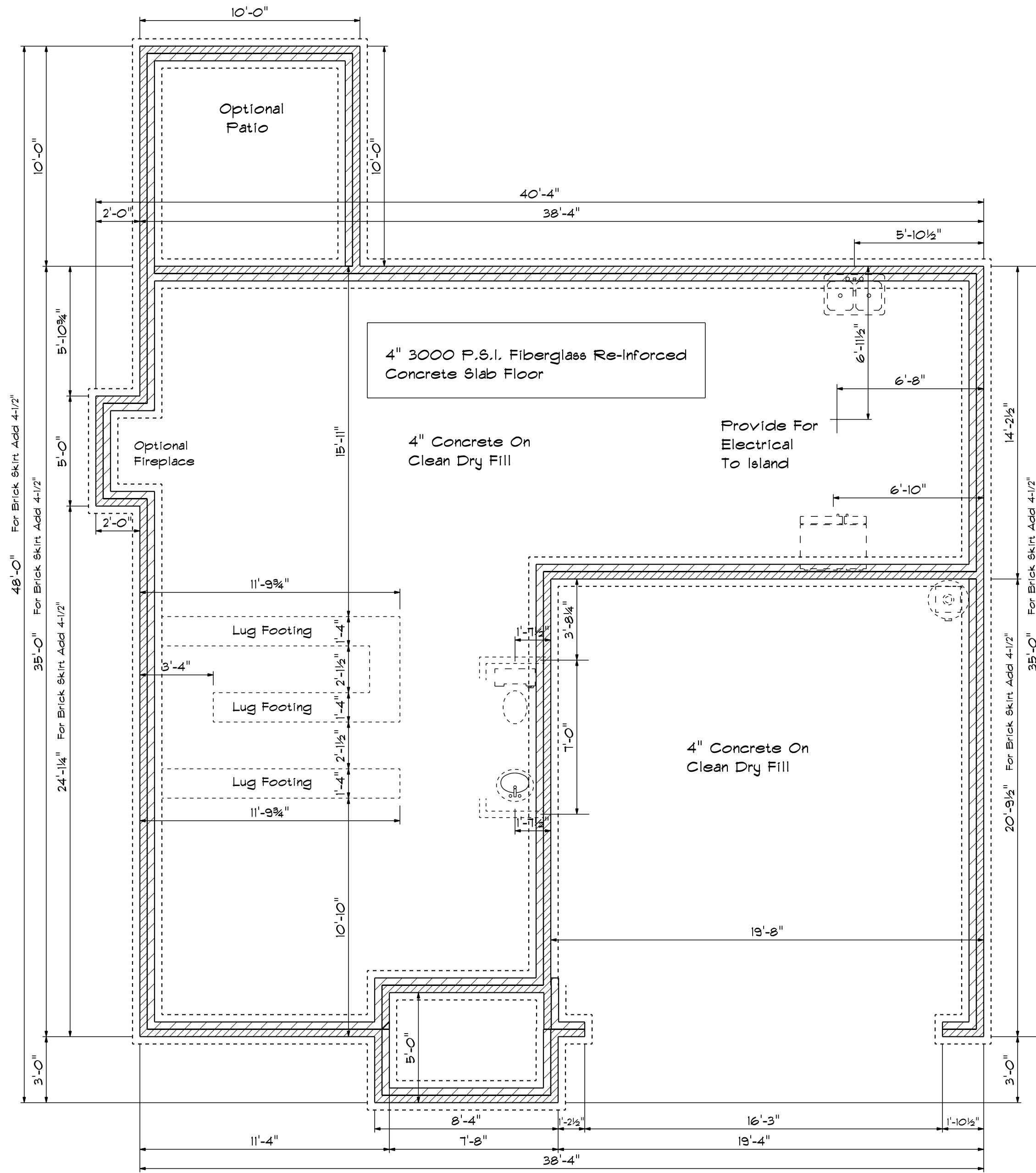
INTEGRAL SLAB FOOTING DETAIL AT BEARING WALL

DATE: Thursday, October 6, 2022
 REVISIONS
 DRAWING#

SCALE: 1/4"
 DRAWN BY
 APPROVED

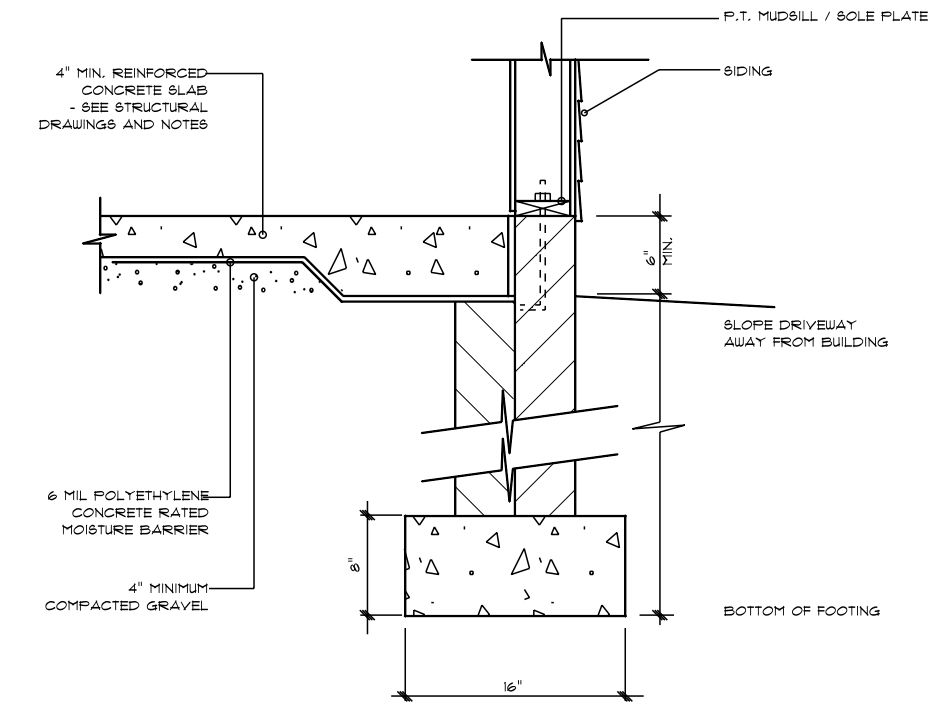
The Cypress

BBH-2052

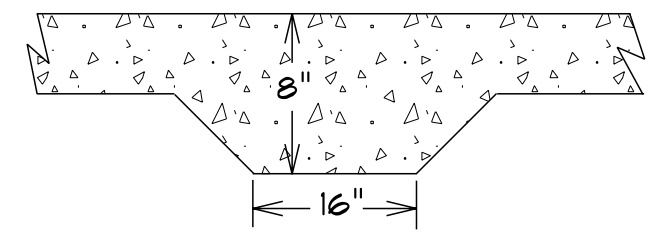


Foundation Plan

Scale: 1/4" = 1'-0"



STEM WALL FOOTING DETAIL



LUG FOOTING DETAIL

DATE: Thursday, October 6, 2022
 REVISIONS
 DRAWING#

SCALE: 1/4"
 DRAWN BY
 APPROVED

The Cypress

BBH-2052