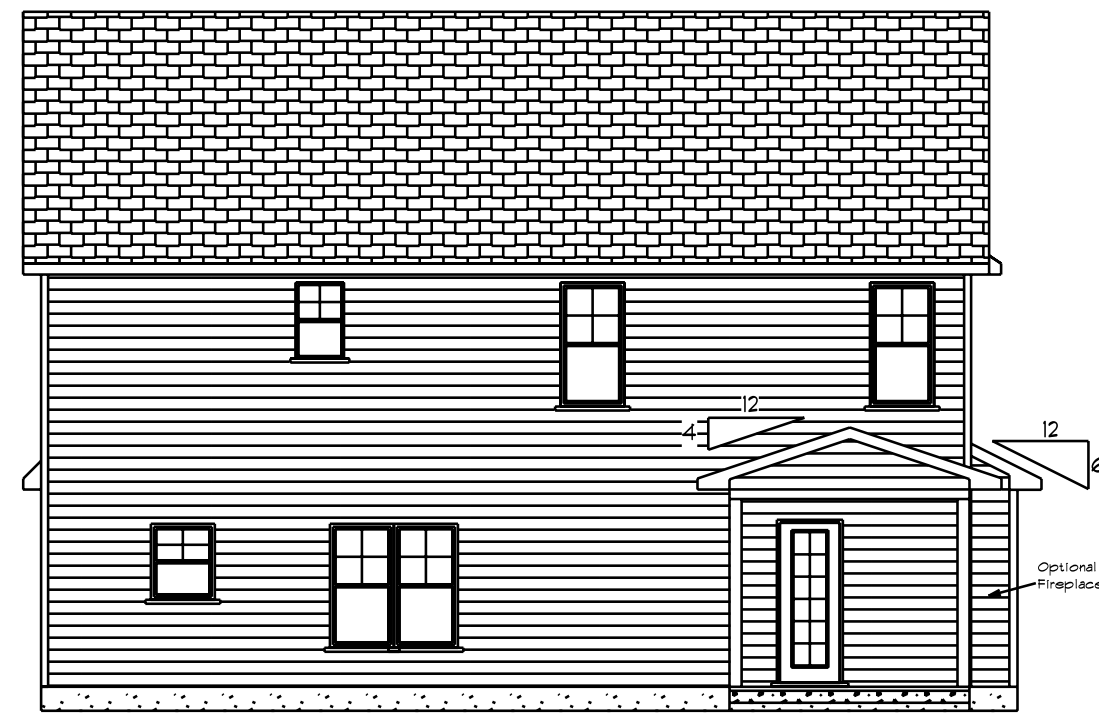




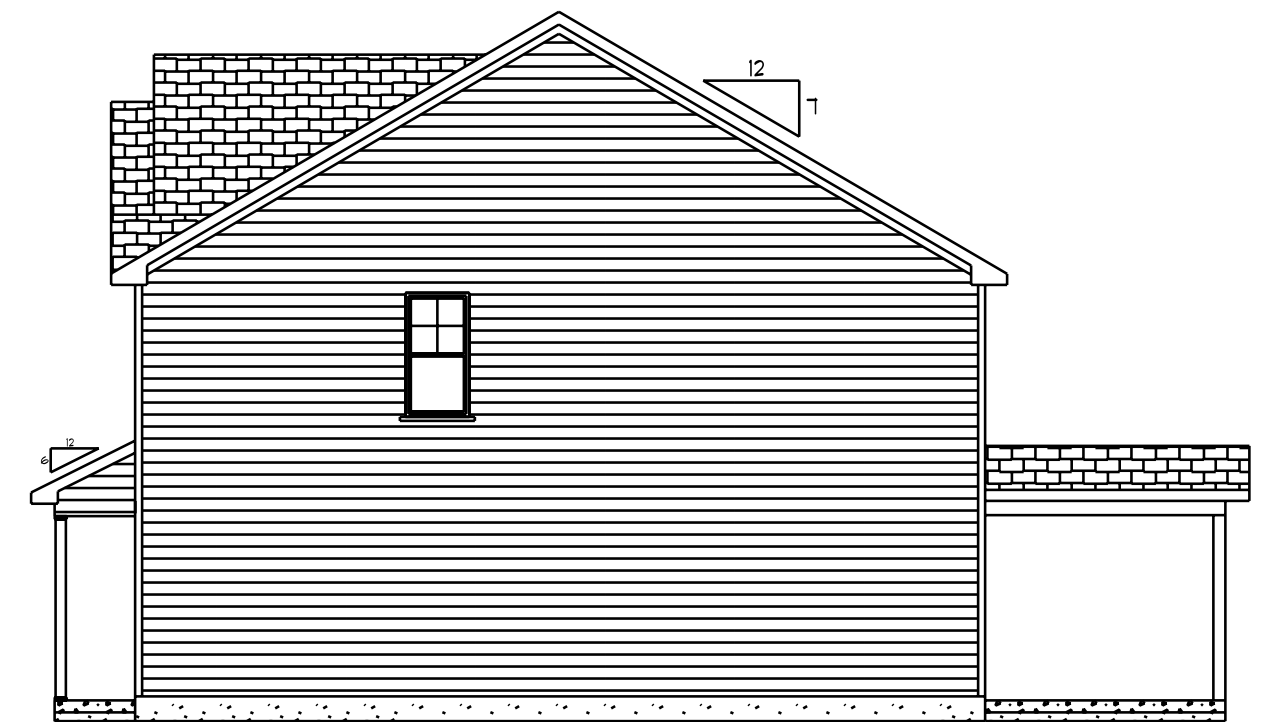
**Front Elevation**  
Scale: 1/4" = 1'0"



**Left Elevation**  
Scale: 1/4" = 1'0"



**Rear Elevation**  
Scale: 1/4" = 1'0"



**Right Elevation**  
Scale: 1/4" = 1'0"

DATE: Thursday, October 6, 2022

REVISID

DRAWING\*

SCALE: 1/4"

DRAWN BY

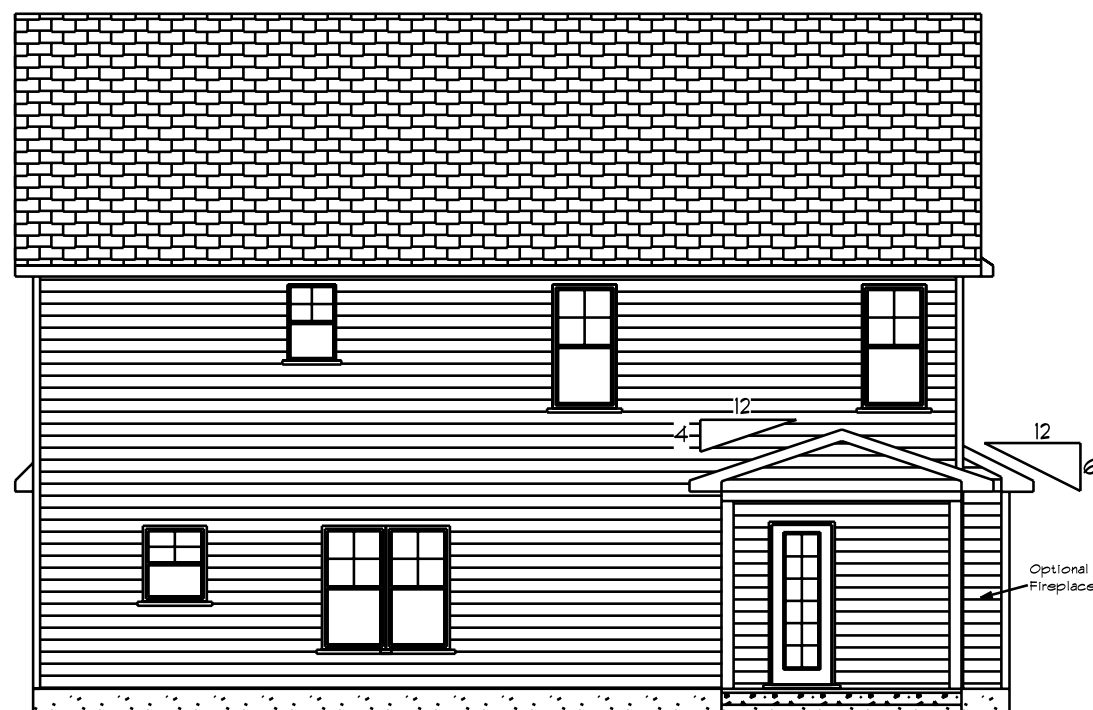
APPROVED

**The Cypress EIV.A**

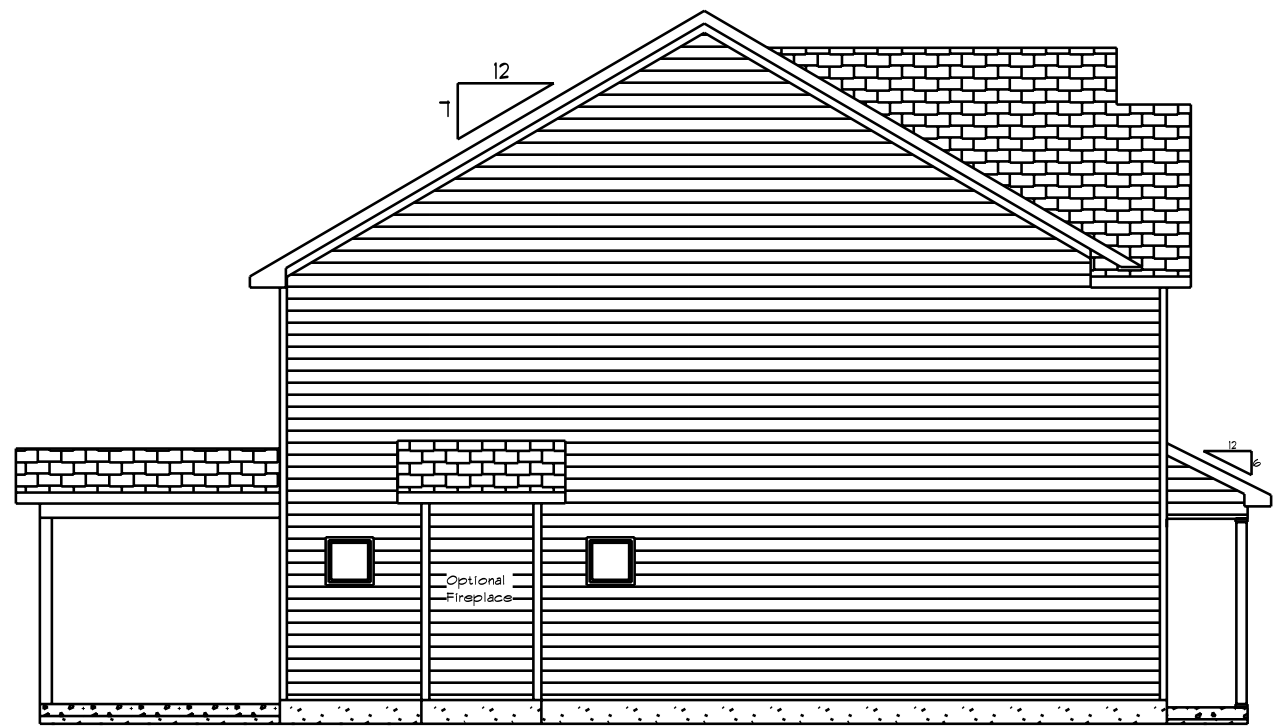
BBH-2052



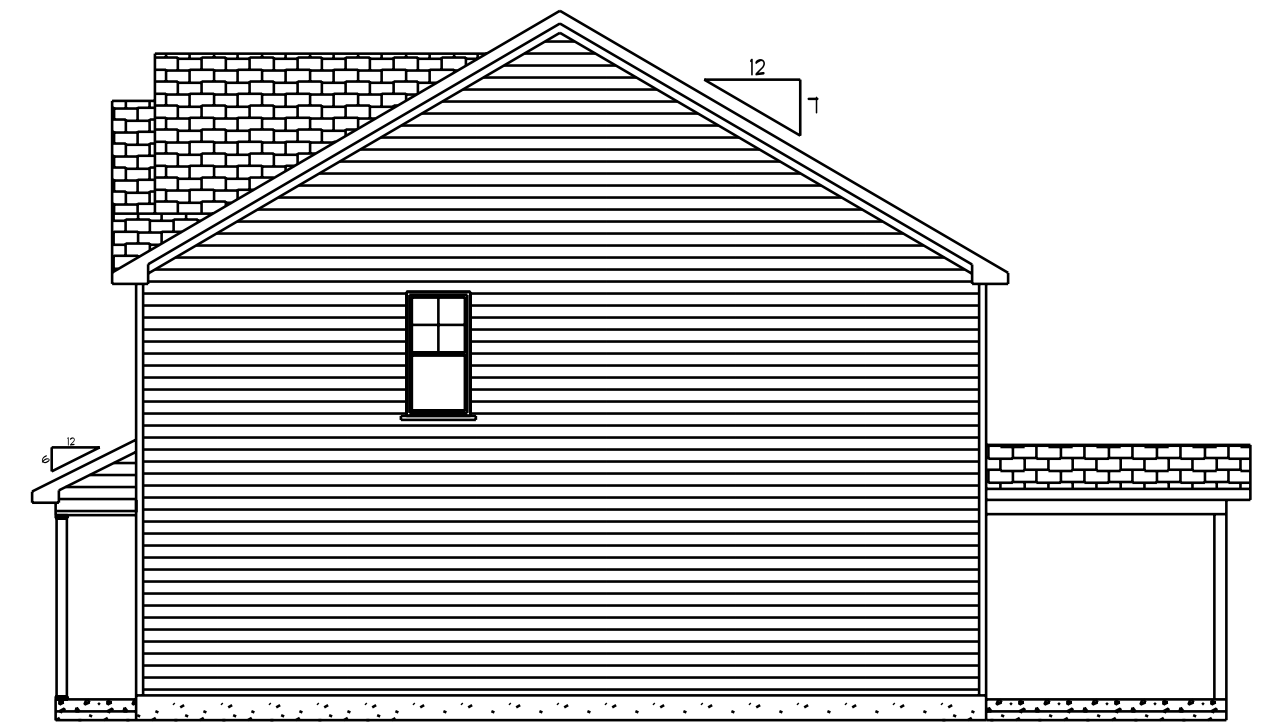
**Front Elevation**  
Scale: 1/4" = 1'0"



**Rear Elevation**  
Scale: 1/4" = 1'0"



**Left Elevation**  
Scale: 1/4" = 1'0"



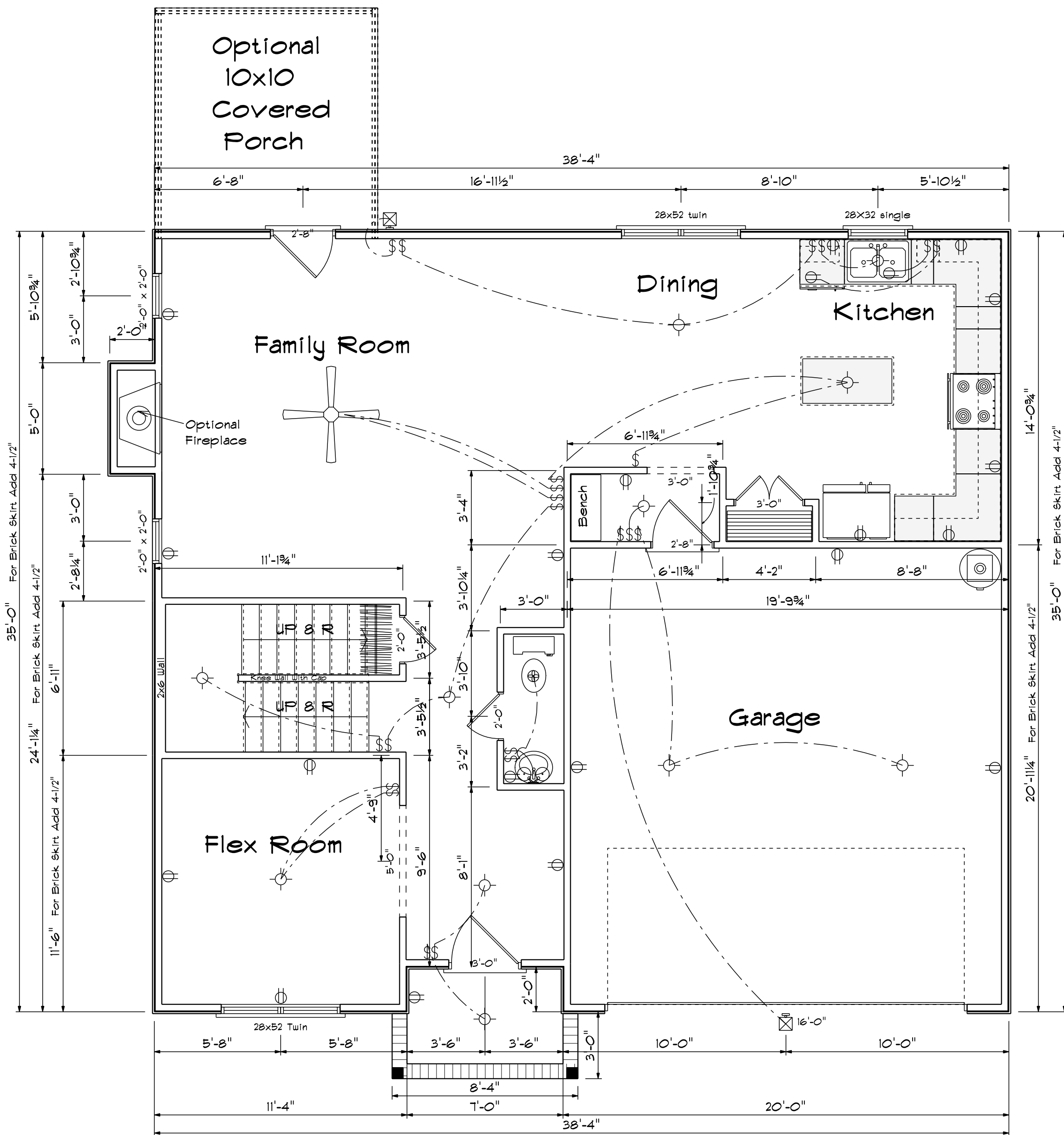
**Right Elevation**  
Scale: 1/4" = 1'0"

DATE: Thursday, October 6, 2022  
REVISED  
DRAWING\*

SCALE: 1/4"  
DRAWN BY  
APPROVED

**The Cypress EIV.B**

BBH-2052



# First Floor Plan

Scale: 1/4" = 1'-0"

## Kitchen Cabinets



FIRST FLOOR OPENING SCHEDULE			
PRODUCT CODE	SIZE	HINGE	COUNT
36X80 COLONIAL A	3'-0"	R	1
7X16 GARAGE DOOR	16'-0"	U	1
72X80 SLIDING FRENCH 2	6'-0"	NL	1
20 colonial	2'-0"	L	1
20 colonial	2'-0"	R	1
30 doublehung colonial	3'-0"	LR	1
32X80 COLONIAL A 1	2'-8"	R	1
24X24 CASEMENT 1	2'-0" x 2'-0"	N	2
28x52 Twin	5'-4" x 5'-2"	NA	1
28x52 twin	5'-4" x 5'-2"	NA	1
28x32 single	2'-8" x 3'-2"	N	1

## Areas

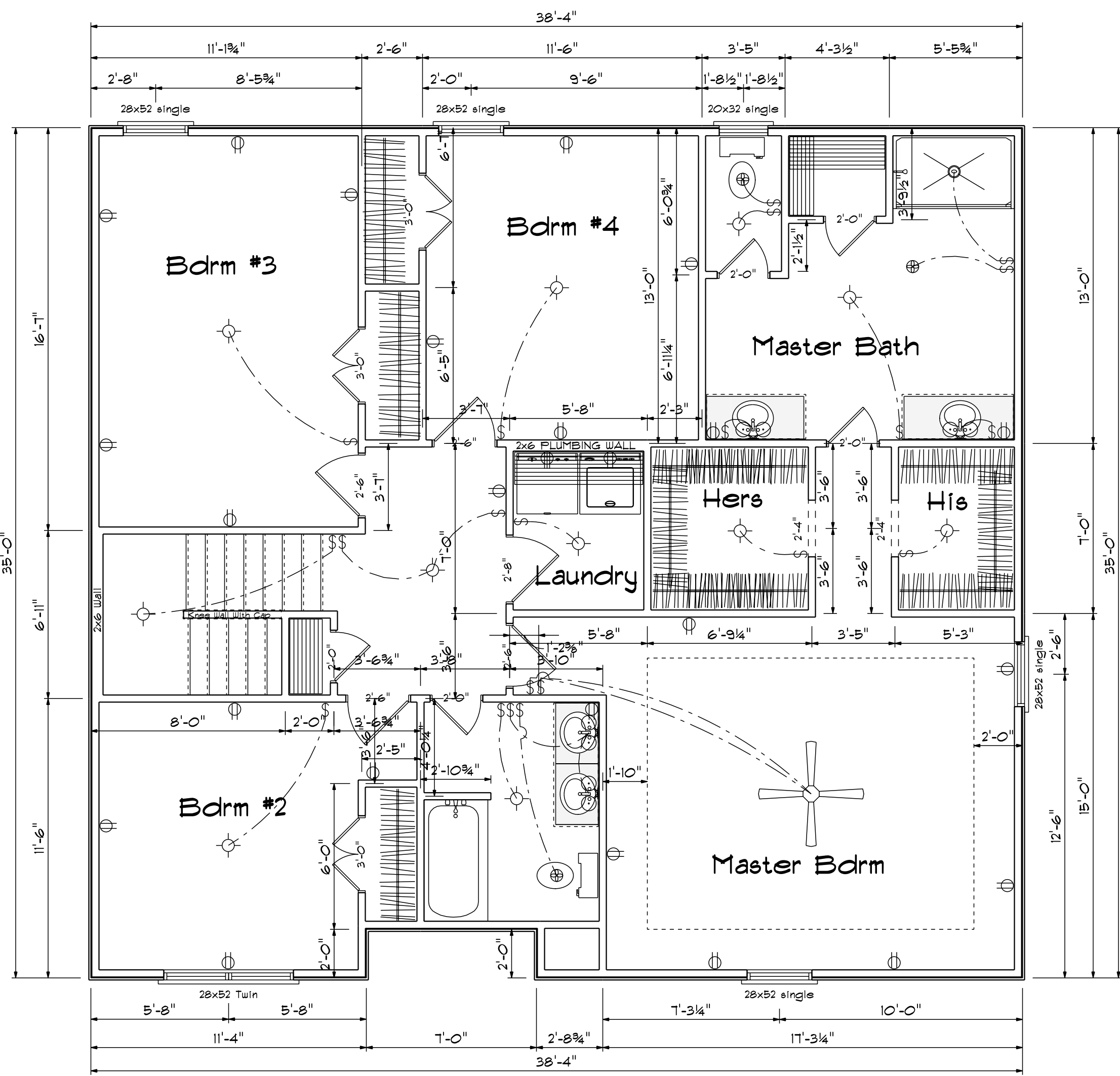
First Floor	929
Second Floor	1270
=====	
Total Heated	2199
Garage	413
Porch	69

DATE: Thursday, October 6, 2022  
 REVISED  
 DRAWING#

SCALE: 1/4"  
 DRAWN BY  
 APPROVED

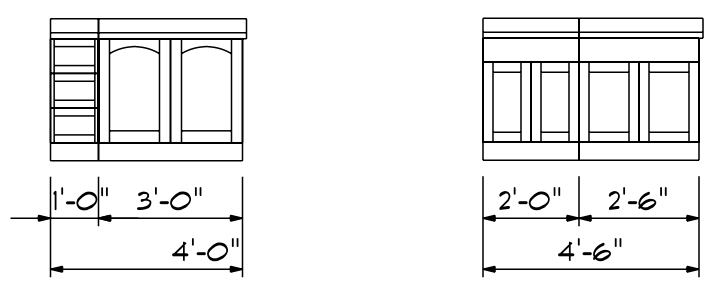
The Cypress

BBH-2052

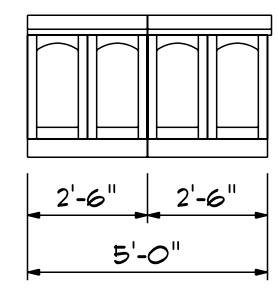


**Second Floor Plan**  
 Scale: 1/4" = 1'-0"

**Master Bath Cabinets**



**Hall Bath Cabinets**



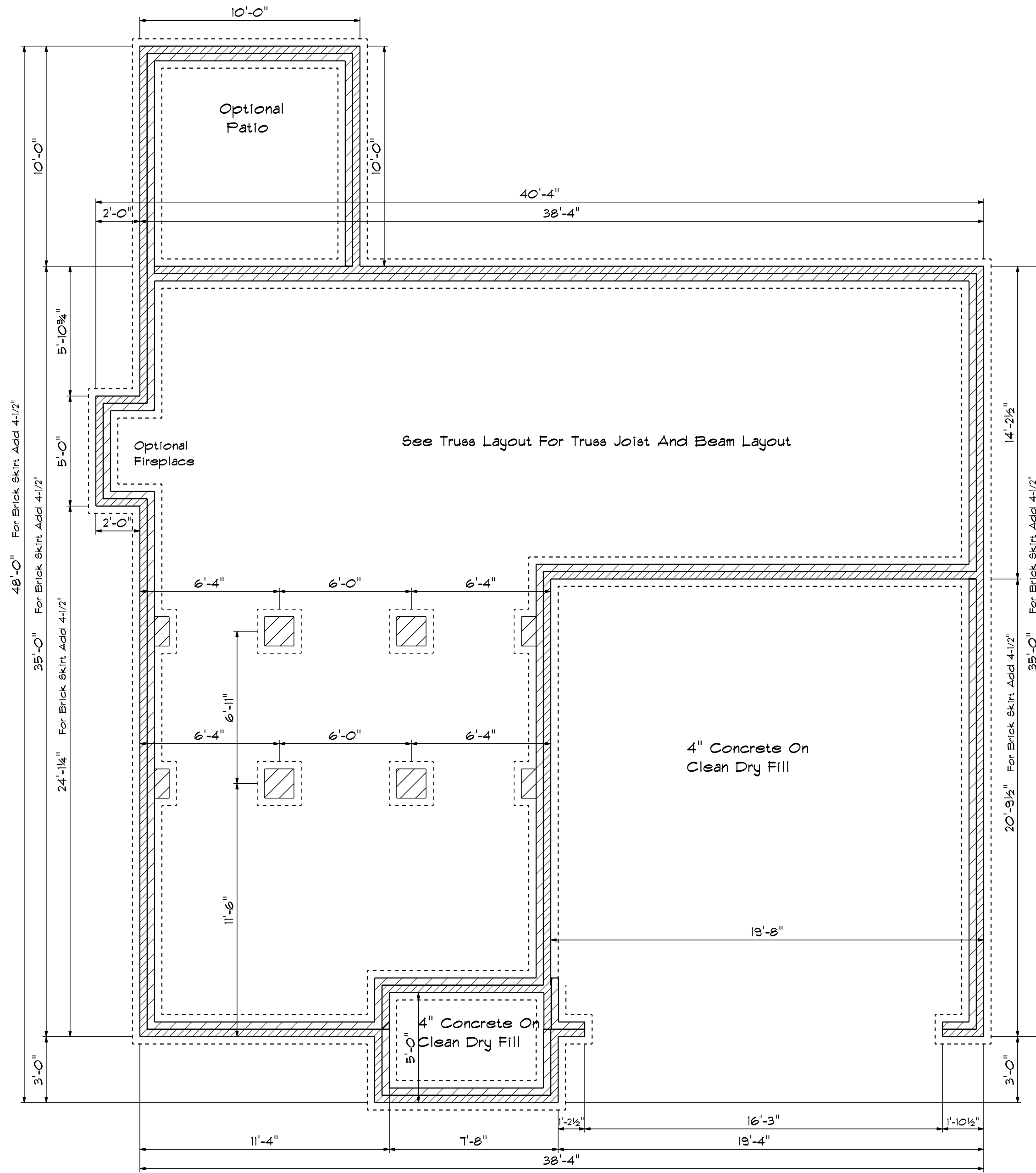
SECOND FLOOR OPENING SCHEDULE			
PRODUCT CODE	SIZE	HINGE	COUNT
2-0 Door Unit	2'-0"	R	1
20 cased opening	2'-0"	N	2
20 colonial	2'-0"	R	3
26 colonial	2'-6"	L	4
3-0 Doublehung Door Unit	4'-0"	LR	3
28 colonial	2'-8"	R	1
20x32 single	2'-0" x 3'-2"	N	1
28x52 Twin	5'-4" x 5'-2"	NA	1
28x52 single	2'-8" x 5'-2"	N	4

DATE: Thursday, October 6, 2022  
 REVISED  
 DRAWING#

SCALE: 1/4"  
 DRAWN BY  
 APPROVED

**The Cypress**

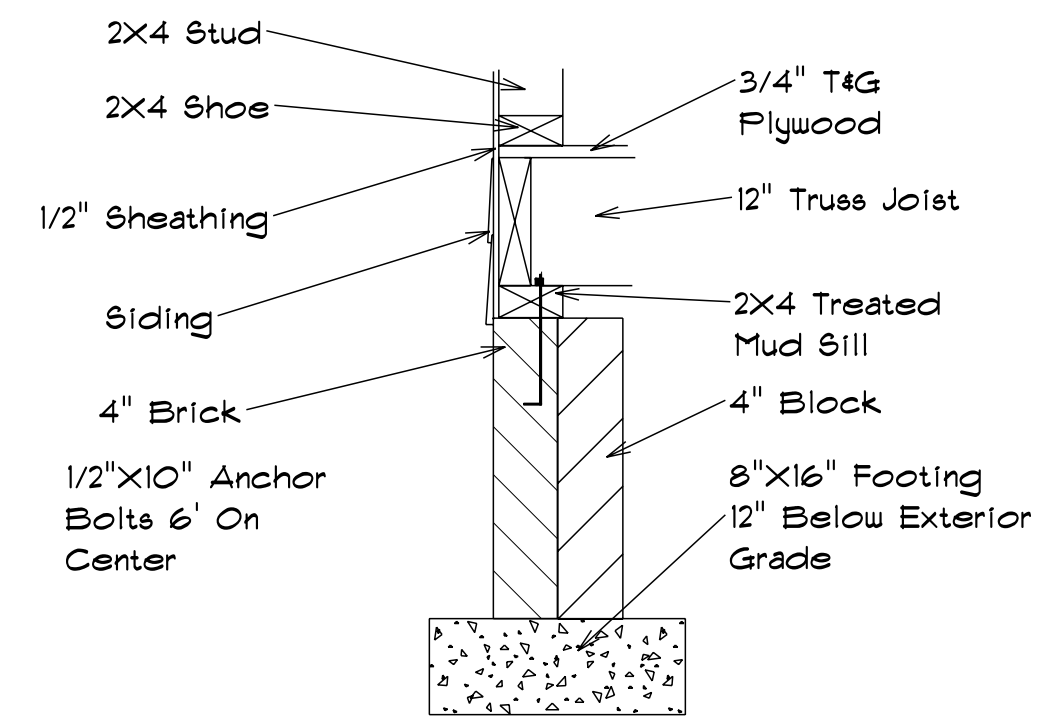
BBH-2052



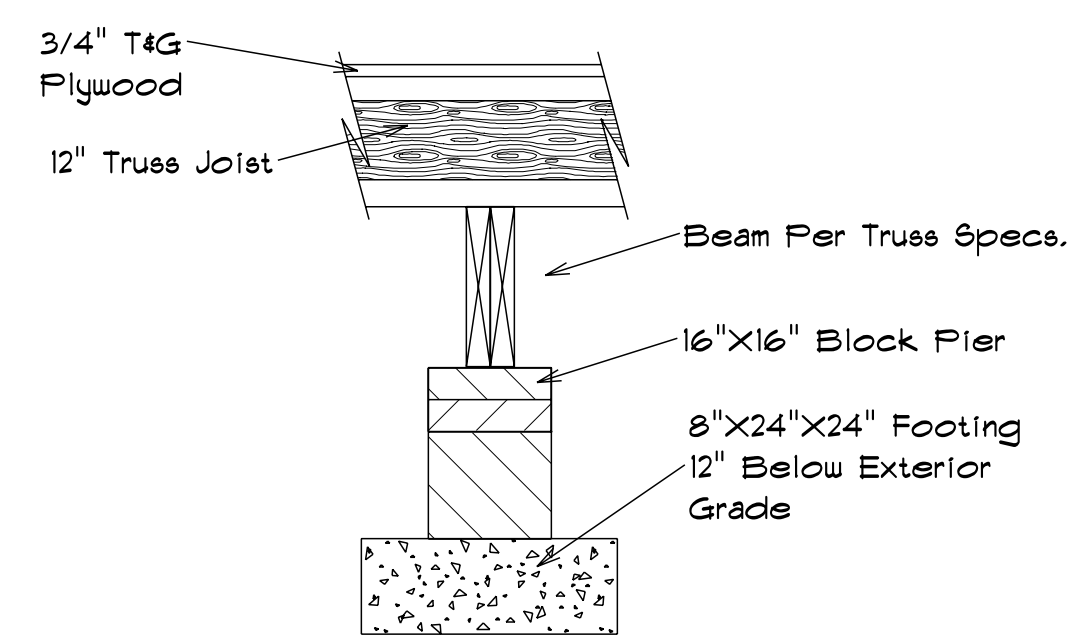
### Foundation Plan

Scale: 1/4" = 1'-0"

### Foundation Detail



### Footing & Pier Detail

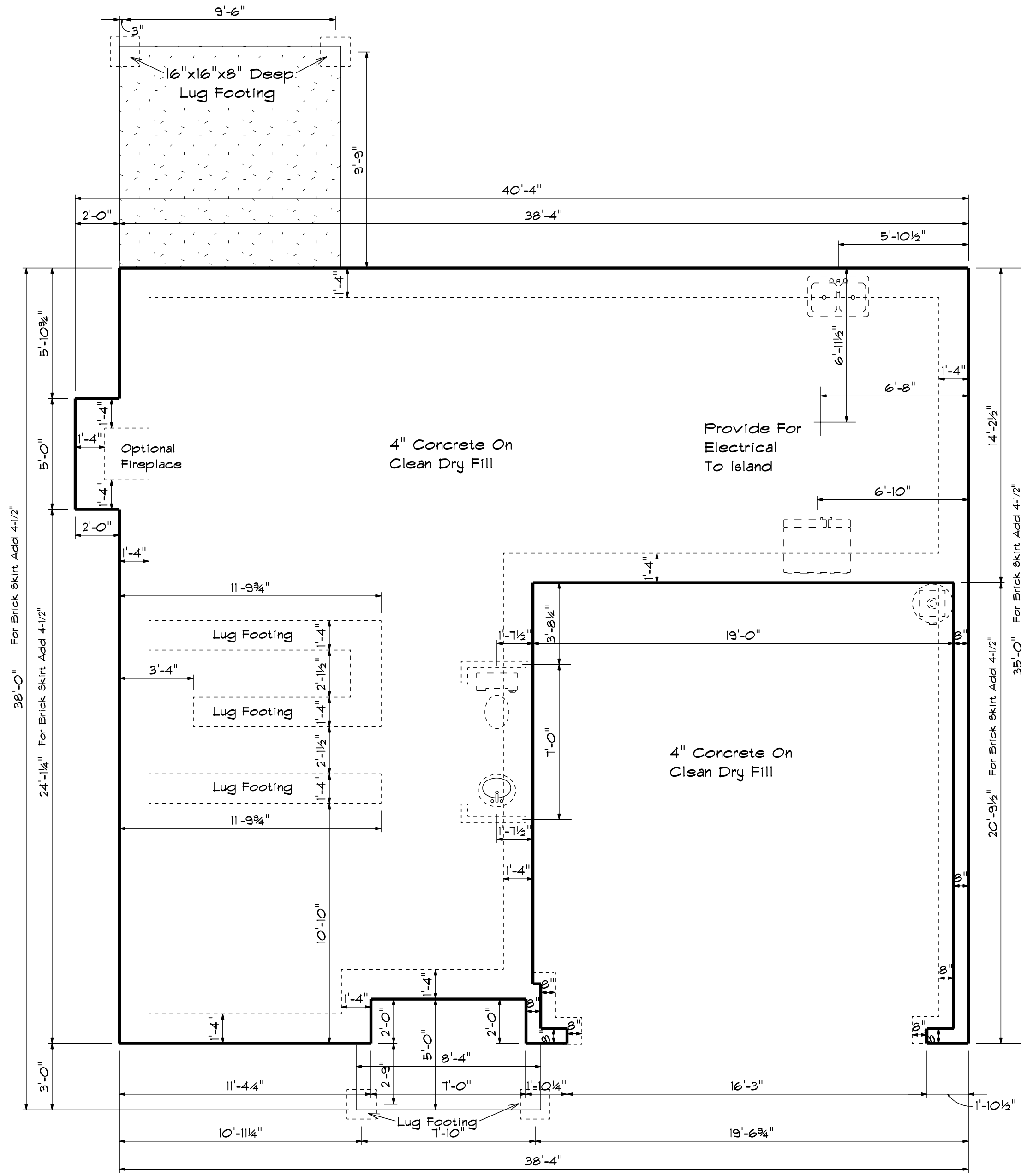


DATE: Thursday, October 6, 2022  
 REVISED  
 DRAWING#

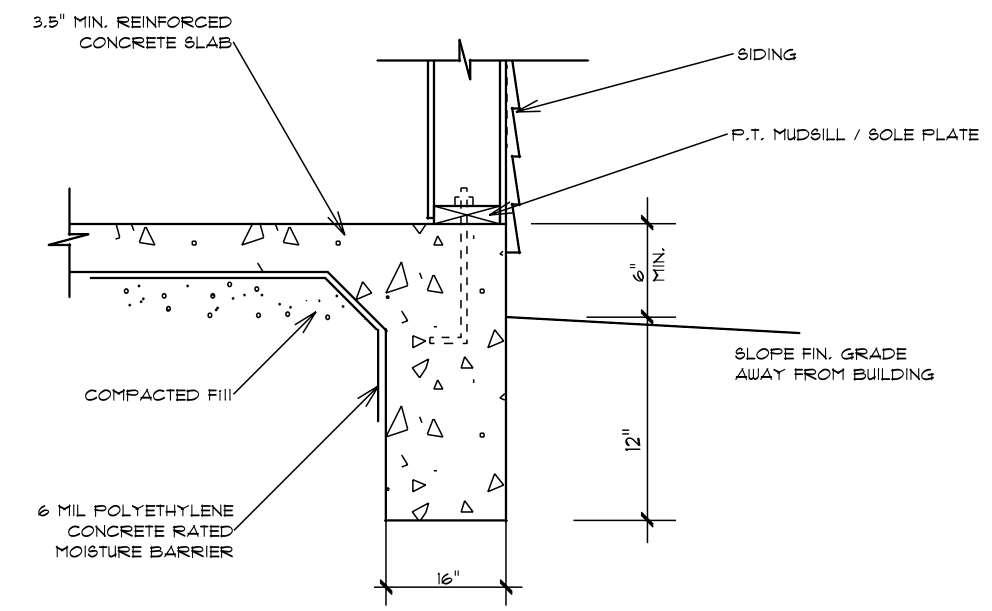
SCALE: 1/4"  
 DRAWN BY  
 APPROVED

The Cypress

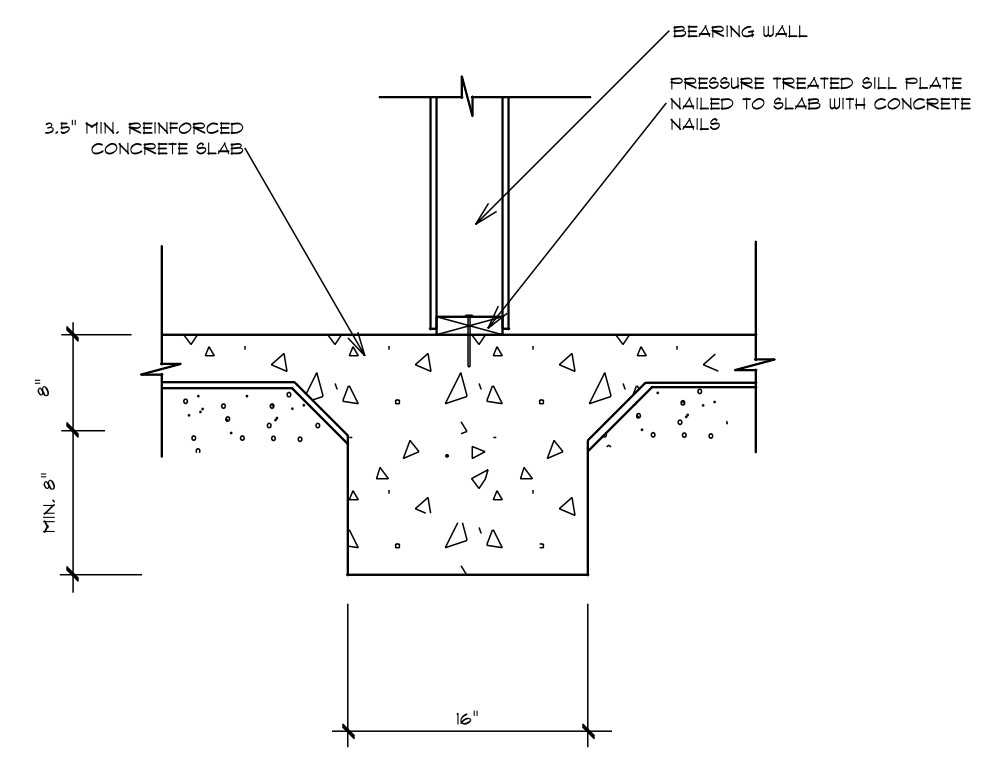
BBH-2052



**Foundation Plan**  
 Scale: 1/4" = 1'-0"



**TURN-DOWN FOOTING DETAIL**



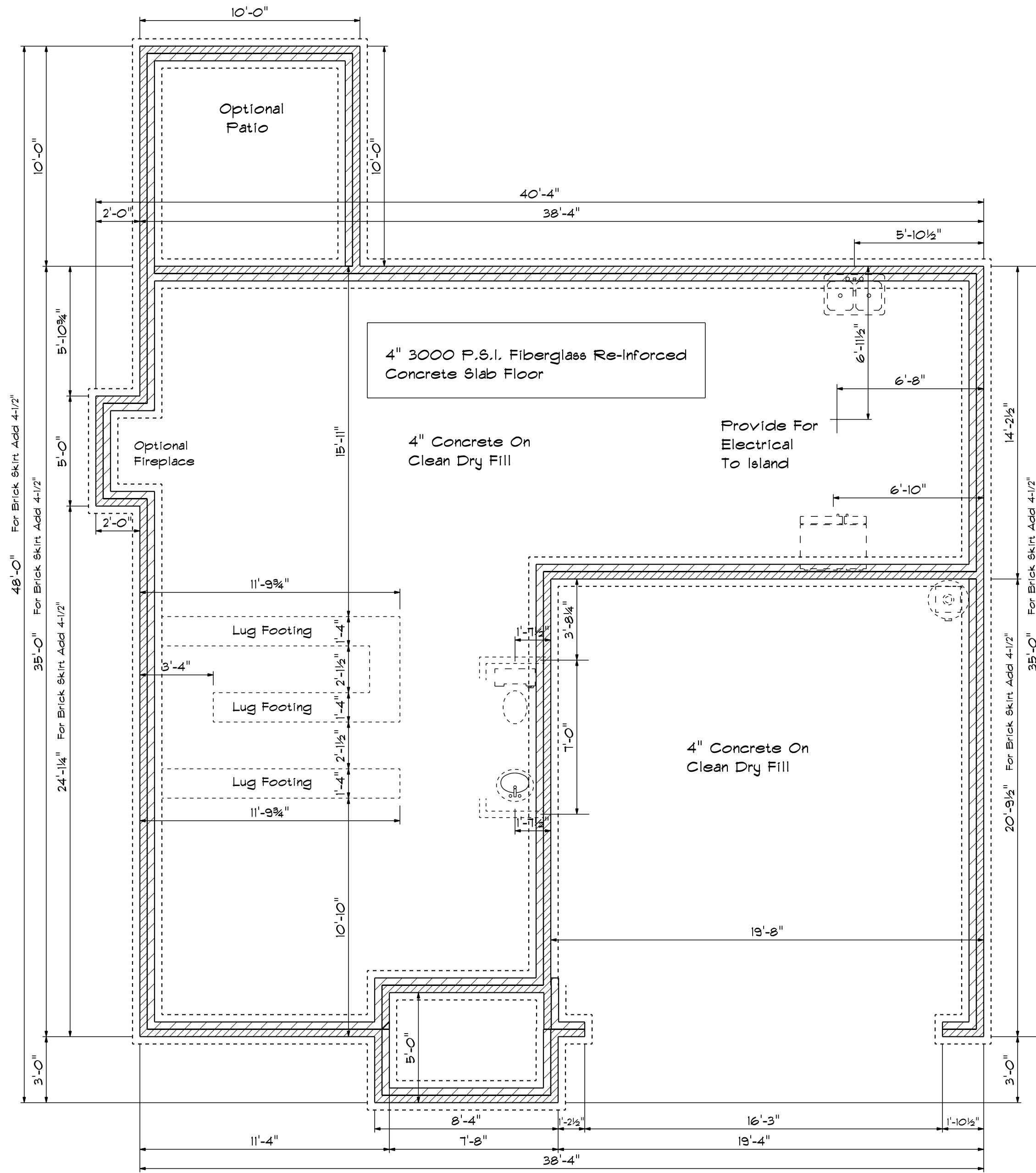
**INTEGRAL SLAB FOOTING DETAIL AT BEARING WALL**

DATE: Thursday, October 6, 2022  
 REVISED  
 DRAWING#

SCALE: 1/4"  
 DRAWN BY  
 APPROVED

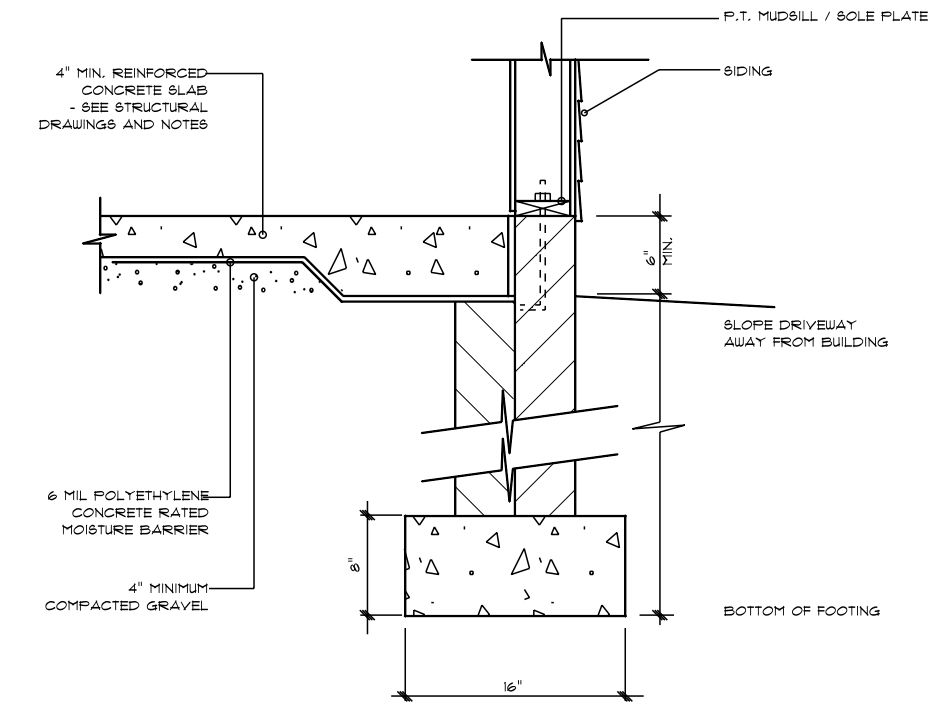
**The Cypress**

BBH-2052

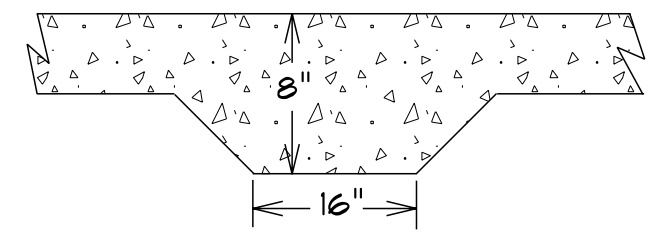


# Foundation Plan

Scale: 1/4" = 1'-0"



STEM WALL FOOTING DETAIL



LUG FOOTING DETAIL

DATE: Thursday, October 6, 2022  
 REVISIONS  
 DRAWING#

SCALE: 1/4"  
 DRAWN BY  
 APPROVED

The Cypress

BBH-2052