

Engineering
Stech
 ASSOCIATES, P.A.

STRUCTURAL ENGINEERS
 License No. C-3870
 318 W Millbrook Rd. Unit 201
 Raleigh, North Carolina 27609
 Phone (919) 844-1661

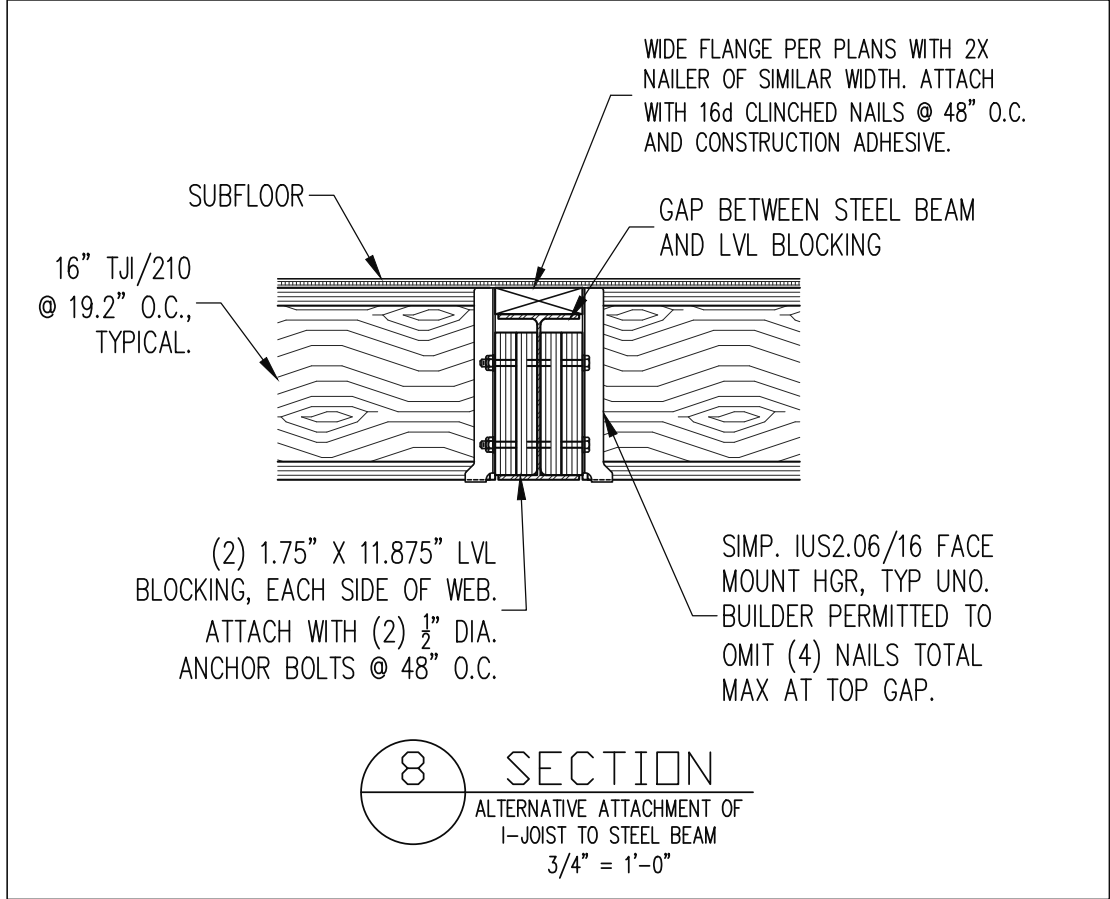
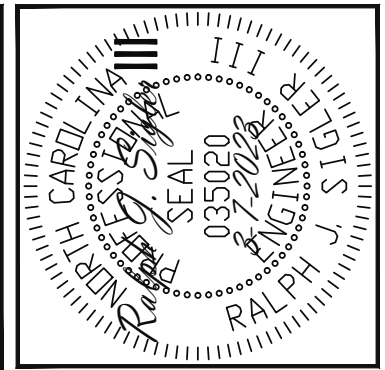
TRIPLE A HOMES			
SCOPE	ALTERNATIVE JOIST ATTACHMENT		
LOC	117 SERENITY	REV #	REF PROJ #
		DATE	

ENG: RJS
 DATE: 3-7-2023

PARENT
 22-28-024_206

PROJECT NO.
 23-75-228

SHEET NO.
 SL1
 1 of 2



8 SECTION
 ALTERNATIVE ATTACHMENT OF
 I-JOIST TO STEEL BEAM
 3/4" = 1'-0"

Engineering
Lech
 ASSOCIATES, P.A.
 STRUCTURAL ENGINEERS
 License No. C-3870
 318 W Millbrook Rd. Unit 201
 Raleigh, North Carolina 27609
 Phone (919) 844-1661

TRIPLE A HOMES		REV #	REF PROJ #	DATE
SCOPE	ALTERNATIVE JOIST ATTACHMENT			
LOC	117 SERENITY			

ENG: RJS
 DATE: 3-7-2023

PARENT
 22-28-024_206

PROJECT NO.
 23-75-228

SHEET NO.
 SL2

2 of 2