

### Square Footage

Living Areas	
1st Floor	1146 SF
2nd Floor	1291 SF
	2437 SF
Unfinished Areas	
Front Porch	149 SF
Garage	445 SF
Outdoor Living	77 SF
	671 SF

### Redraws

Plan Review: 7/27/22  
 REDRAW PER DIVISION TO ADD FIRE PROTECTION TO SIDE ELEVATIONS PER COMMUNITY SPECS

Plan Review: 8/12/22  
 - Revised bedroom names  
 - Added stone to front elevation and wrapped 2 on sides.

Plan Review: 8/15/22  
 REDRAW TO ADD MODEL SALES OFFICE LAYOUT

Fenestration Calculations:  
 Total Wall Square Footage: 3311.07  
 Total Window Square Footage: 437.3  
 Total Fenestration %: 13.27%

### Division: Raleigh

Building Code: 2018 North Carolina Residential Building Code

### Index to the Drawings

Sheet No.	Sheet Name
0C.1	Cover Sheet
0N.1	General Notes
0P.1	Plot Plan
1.01S	Foundation Plan (Slab)
2.01F	First Floor Framing Plan
2.01S	First Floor Structural Plan
2.02F	Second Floor Framing Plan
2.02S	Second Floor Structural Plan
2.04	Roof Plan
3.02	Second Floor Subfloor Plan
4.01	First Floor Mechanical Plan
4.02	Second Floor Mechanical Plan
5.01	Building Section
6.01	Front Elevation
6.02	Garage Side Elevation
6.03	Rear Elevation
6.04	Side Elevation
7.01	House Specific Details
7.02	House Specific Details
7.03	Model Sales Office



Space for Architect Seal

RESIDENCE FOR:  
**MODEL HOME**  
 TBD  
 SERENITY

Job Number: STY5-0087-00 | Drawing Date: 07.21.2022 | Coord Name: GREG P. | Coord Phone: 859-578-4355

House Name: the MEADOW | Drawing Scale: 1/8" = 1'0" | Contract Drawn By: CLM

Series: | Plan No.:

Born on Date: 06/29/2021 | CDs Drawn By: SSP

7701 Six Forks Road, Suite 132, Raleigh, NC 27615  
Phone: [919] 844-9288

Sheet Information

# 0C.1

Cover Sheet  
Elevation "A"

Architecture Plan Review:  No Comments  See Comments Items drawn on any drawings and not written in the contract sections **WILL NOT** be included in the site specific drawings.

Customer Request:	Design Solution:	Reason For Modification:	Comments:
1. XXX	1. XXX	1. XXX	1. XXX
2. XXX	2. XXX	2. XXX	2. XXX
3. XXX	3. XXX	3. XXX	3. XXX
4. XXX	4. XXX	4. XXX	4. XXX

### Customer Plan Review Signature

I understand that my new Drees home will be built in general conformance to the plans, specifications, selections and the Purchase Agreement, all of which I have reviewed and approved. This set of plans may not reflect the elevations or options for my house. Drees draws the standard plans complete with the most common options. The subcontractor's sets will show only the options I selected in my selection sheets. I have reviewed the plot plan for my house and understand that there may be some field adjustments as to the exact location of the house on the lot. I further understand that my home will not be built exactly like any other Drees home or Model and that some minor variations from my plans and specifications may occur since every home that is built has it's own set of unique construction problems that must be dealt with as the home is being built.

Customer: \_\_\_\_\_ Date: \_\_\_\_\_  
 Customer: \_\_\_\_\_ Date: \_\_\_\_\_

# GENERAL NOTES - RALEIGH

## FOUNDATION NOTES

### CRAWL SPACES:

- SLOPE CONCRETE SLAB 4" MINIMUM TOWARDS GARAGE DOOR
- EXTERIOR FLATWORK/GARAGES SHALL HAVE A MINIMUM CONCRETE STRENGTH OF 4,500 PSI
- FOOTINGS TO A MINIMUM CONCRETE STRENGTH OF 2500 PSI, UNLESS OTHERWISE NOTED
- ASSUMED ALLOWABLE SOIL BEARING PRESSURE: 2,000 p.s.f.
- WATERPROOF FOUNDATION WITH BITUMINOUS SPRAY.
- WALL TIES EMBEDDED IN THE HORIZONTAL MORTAR JOINT SHALL BE 16" ON CENTER. TIES IN ALTERNATE COURSES SHALL BE STAGGERED. THE MAXIMUM VERTICAL DISTANCE BETWEEN TIES SHALL NOT EXCEED 16" AND THE MAXIMUM HORIZONTAL DISTANCE SHALL NOT EXCEED 16" ADDITIONAL TIES SHALL BE PROVIDED AT ALL OPENINGS, AND WITHIN 12" OF THE OPENING.
- CORE FILL ENTIRE BLOCK WALL WHEN THE WALL IS 4'-0" TALL OR HIGHER. INSTALL #4 REBAR IN EACH HOLLOW AREA OF EACH BLOCK FROM FOOTING TO TOP OF WALL, ON THE ENTIRE WALL PRIOR TO CORE FILLING IT.
- TOP COURSE OF BLOCK ON ALL WALLS WILL BE FILLED SOLID WITH MORTAR PLACING THE FOUNDATION STRAPS OR BOLTS IN THE MORTAR 6'-0" ON CENTER, AND 12" FROM EACH CORNER.
- 12"x16" PIERS: HOLLOW MASONRY UP TO 48" HIGH, SOLID MASONRY UP TO 9'0" HIGH
- 16"x16" PIERS: HOLLOW MASONRY UP TO 64" HIGH, SOLID MASONRY UP TO 12'0" HIGH
- BLOCK PIERS SHOULD BE PLACED DIRECTLY ON CONCRETE FOOTINGS PER PLAN. THEY SHOULD BE PLUMBED AND SQUARE WITHIN 1/4".
- SILL PLATES TO BE A MINIMUM OF 2x4 NOMINAL LUMBER.

### BASEMENTS:

- SLOPE CONCRETE SLAB 4" MINIMUM TOWARDS GARAGE DOOR
- EXTERIOR FLATWORK/GARAGES SHALL HAVE A MINIMUM CONCRETE STRENGTH OF 4,500 PSI
- FOOTINGS TO A MINIMUM CONCRETE STRENGTH OF 2500 PSI, UNLESS OTHERWISE NOTED- ALL FOUNDATION WALLS TO BE CAST IN PLACE CONCRETE 3000 PSI MIN. UNLESS OTHERWISE NOTED.
- BASEMENT WINDOW LOCATIONS MAY VARY FROM DRAWING DUE TO LOT CONDITIONS.
- BACKFILL ADJACENT TO FOUNDATION WALLS SHALL NOT BE PLACED UNTIL THE WALL HAS SUFFICIENT STRENGTH AND HAS BEEN ANCHORED TO THE FLOOR OR HAS BEEN SUFFICIENTLY BRACED TO PREVENT DAMAGE BY THE BACKFILL.
- ASSUMED ALLOWABLE SOIL BEARING PRESSURE: 2,000 p.s.f.
- WATERPROOF FOUNDATION WITH BITUMINOUS SPRAY.
- VERTICAL CONTROL JOINTS IN BASEMENT FOUNDATION WALLS - STANDARD LOCATION GUIDELINES:
  - 1) PLACE A CONTROL JOINT IN ALL UNBRACED WALLS OVER 30' IN LENGTH. (NOTE: "T" WALLS AND CORNERS COUNT AS A BRACE).
  - 2) WINDOWS THAT ARE LARGER THAN THE STANDARD BASEMENT WINDOW REQUIRE A CONTROL JOINT.
  - 3) CONTROL JOINTS ARE NOT REQUIRED AT EVERY WINDOW THAT IS STANDARD SIZE.
  - 4) IF THERE IS A STANDARD WINDOW LOCATED IN A WALL SEGMENT THAT REQUIRES A CONTROL JOINT, THEN THE CONTROL JOINT SHOULD BE PLACED ON THE SIDE OF THE WINDOW THAT IS ADJACENT TO THE LONG SIDE OF THE WALL. IF THERE IS MORE THAN ONE WINDOW IN A WALL THEN ONLY ONE WINDOW SHOULD HAVE A CONTROL JOINT.
  - 5) DOORS DO NOT GET CONTROL JOINTS.
  - 6) CONTROL JOINTS SHOULD NOT BE LOCATED WITHIN 3' OF A BEAM POCKET.
  - 7) CONTROL JOINTS ARE REQUIRED AT THE FIRST AND LAST STEP DOWN AT STEPPED BASEMENT FOUNDATION WALLS.
- INTERIOR FLATWORK SHALL HAVE A MINIMUM CONCRETE STRENGTH OF 3,000 PSI.
- ALL VERTICAL STEEL AND ALL STEEL IN STRUCTURAL SLABS TO BE GRADE 60. ALL HORIZONTAL STEEL IN FOUNDATION WALLS AND FOOTERS TO BE GRADE 40 STEEL.

## FRAMING NOTES

### DESIGN LOADS:

FLOORS:	40 psf LIVE LOAD + 10 psf DEAD LOAD = 50 psf	GARAGE FLOOR: 50 psf LIVE LOAD	SEISMIC: "A" & "B"
ROOF:	18 psf LIVE LOAD + 17psf DEAD LOAD = 35 psf	WIND SPEED: 120 MPH	
DESIGN DEFLECTION LIMITS (BASED ON LIVE LOAD, EXCEPT MASONRY):			
	RAFTERS GREATER THAN 3:12	L/180	CEILING
	MASONRY VENEER	L/600	
	NOMINAL LUMBER FLOORS:	L/360	
	MANUFACTURED WOOD FLOORS:	DESIGNED TO MINIMUM PRO RATING OF 35 (OR EQUIVALENT), NO MORE THAN 8 POINT DIFFERENCE BETWEEN ADJACENT SPANS.	
		L/480 FOR SPANS UP TO 16'-0" AND NO GREATER THAN 1/2" DEFLECTION	
		L/600 FOR SPANS OVER 16'-0" IF SIMPLE SPAN AND NO GREATER THAN 1/2" DEFLECTION	
		L/840 FOR SPANS OVER 16'-0" IF CONTINUOUS SPAN. AND NO GREATER THAN 1/2" DEFLECTION	

- JOIST SPACING: 19.2" o.c. MAXIMUM SPACING
- DOUBLE EVERY OTHER FLOOR JOIST UNDER KITCHEN ISLANDS
- INSTALL UNCOUPLING MEMBRANE IN TILE FLOOR AREAS IF 19.2" o.c. FLOOR JOIST SPACING
- GLUE AND MECHANICALLY FASTEN [SCREWS] WOOD FLOOR IF 19.2" o.c. FLOOR JOIST SPACING
- MANUFACTURED WOOD PRODUCTS (INCLUDING, BUT NOT LIMITED TO, STRUCTURAL WOOD BEAMS AND I-JOISTS) SHALL BE FABRICATED, HANDLED, AND INSTALLED IN ACCORDANCE WITH THE MANUFACTURER'S INSTRUCTIONS.
- JOISTS ARE NOT TO BE PLACED DIRECTLY OVER INTERIOR PARALLEL WALLS. (TO PREVENT UNEVEN FLOOR DEFLECTION FROM OCCURRING)
- ALL WOOD BEAMS/HEADERS: 2x6's TO BE SPF STUD GRADE OR BETTER/ 2x8 OR LARGER TO BE SYP #2 [ PER NDS 2012 ] OR BETTER
- ALL HEADERS SHALL BE SUPPORTED BY (1) 2x JACK STUD AND (1) 2x KING STUD MINIMUM. THE NUMBER OF STUDS SPECIFIED AT A SUPPORT INDICATES THE NUMBER OF JACKS REQUIRED, U.N.O. AT FLUSH OR DROPPED BEAMS, THE NUMBER OF STUDS SPECIFIED INDICATES THE TOTAL NUMBER OF STUDS REQUIRED TO SUPPORT THE BEAM.
- EXTERIOR WALLS TO BE 2x4 SPF STUD GRADE AT 16" o.c. UNLESS OTHERWISE NOTED (10'4-1/2" MAXIMUM WALL HEIGHT)
- ALL INTERIOR BEARING WALLS AND WALLS AT BASEMENT & FIRST FLOOR STAIRWELLS, KITCHEN, BATH, & GARAGE TO BE 2x4 SPF STUD GRADE @ 16" o.c.;
- ALL OTHER NON-BEARING INTERIOR WALLS TO BE 2x4 SPF STUD GRADE @ 24" o.c. U.O.N.
- ALL WALLS TO BE 3 1/2" UNLESS OTHERWISE NOTED.
- PROVIDE SOLID BEARING TO FOUNDATION OR BEAM BELOW FOR ALL BEAMS, HEADERS & GIRDER TRUSSES. PROVIDE BLOCKING BETWEEN JOISTS AS REQUIRED.
- SEE SELECTION SHEET FOR SIZE AND STYLE OF FIREPLACE. SEE FIREPLACE ELEVATION DETAIL FOR ADDITIONAL FRAMING REQUIREMENTS, IF ANY.
- CHECK SELECTION SHEETS FOR FLOOR COVERING AT TOP AND BOTTOM OF STAIR RISERS AND ADJUST RISERS AS REQ'D.
- PROVIDE BLOCKING AT ALL HANDRAIL TERMINATION AND BRACKET LOCATIONS.
- 20-MINUTE FIRE RATED DOOR BETWEEN GARAGE AND LIVING AREA.
- EXTERIOR WALL TO BE 2x4 SPF STUD G AT 16" o.c. UNLESS OTHERWISE NOTED (10'-0" MAXIMUM UNBRACED WALL HEIGHT).
- ALL EXTERIOR WALLS AND INTERIOR BEARING WALLS, FRAMED HIGHER THAN THE STANDARD PLATE HEIGHT, SHALL BE FRAMED WITH CONTINUOUS FULL HEIGHT STUDS TO THE HIGHEST CEILING (I.E. NO INTERMEDIATE BREAKS) TO PREVENT LATERAL HINGE CONDITIONS.
- IN THE GARAGE, PROVIDE 1/2" GYP. BOARD AT ALL WALLS COMMON TO LIVING SPACE AND ALL STRUCTURAL MEMBERS SUPPORTING FLOOR/CEILING ASSEMBLY. GARAGE CEILING TO BE 1/2" SAG RESISTANT GYP. BOARD WHEN THERE ARE NO HABITABLE SPACES ABOVE, OR 5/8" TYPE X GYP. BOARD WHEN HABITABLE SPACES ARE ABOVE.
- ALL EMERGENCY ESCAPE & RESCUE OPENINGS TO BE A MAXIMUM OF 44" OFF OF FINISHED FLOOR AND HAVE MINIMUM OPENING DIMENSIONS OF 24" IN HEIGHT, 20" IN WIDTH, & HAVE A MINIMUM OPENING AREA OF 5.7 S.F.
- ALL DOORS TO BE 6'-8" TALL UNLESS OTHERWISE NOTED.
- ALL GLASS IN INTERIOR AND EXTERIOR DOORS TO BE TEMPERED (INCLUDING SIDELITES AND TRANSOMS)
- ALL LUMBER CONTACTING CONCRETE TO BE PRESSURE TREATED.
- ALL FASTENERS, HANGERS, AND OTHER CONNECTORS TO BE USED WITH PRESSURE TREATED WOOD ARE TO HAVE ZMAX COATING (OR EQUIVALENT) HOT-DIPPED GALVANIZED OR STAINLESS STEEL.
- AT STAIR HANDRAIL, ON ONE SIDE ONLY, SHALL BE CONTINUOUS FOR THE ENTIRE LENGTH OF THE STAIRWAY, AND ENDS SHALL BE RETURNED TO A WALL OR POST. THE HANDRAIL MAY BE INTERRUPTED AT A NEWEL POST AT A TURN.
- ALL HANDRAIL GRIP PORTIONS SHALL NOT EXCEED 2-1/4" IN CROSS SECTIONAL DIMENSION.
- HANDRAILS SHALL BE INSTALLED ON ALL STAIRS WITH 2 OR MORE RISERS, HANDRAIL HEIGHTS SHALL BE A MINIMUM OF 34" AND A MAXIMUM OF 38".
- ALL STAIRS TO BE CONSTRUCTED SO AS NOT TO ALLOW A 4" SPHERE TO PASS THROUGH THE RISER.
- GUARDRAILS MUST BE A MINIMUM OF 36" HIGH. GUARDRAILS AT THE OPEN SIDES OF STAIRS MUST BE A MINIMUM OF 34" HIGH MEASURED VERTICALLY FROM THE NOSING AT THE TREADS. THE HORIZONTAL SPACING OF THE VERTICAL BALUSTERS SHALL BE 4" O.C.
- GUARDRAIL DESIGN TO RESIST A MINIMUM OF 200 LBS LATERAL FORCE

## MECHANICAL/ELECTRICAL NOTES

- ANY GAS APPLIANCES MUST BE INSTALLED PER MANUFACTURER'S SPECIFICATIONS.
- HOLD THE CENTERLINE OF ALL EXTERIOR LIGHT FIXTURES AT 5'-8" OFF BOTTOM OF DOOR OPENING.
- ALL KITCHEN CABINET DIMENSIONS ARE CABINET TO CABINET.
- CABINET STYLES MAY VARY FROM INTERIOR ELEVATIONS DEPENDING ON STYLE, MANUFACTURER, ETC. FOR CABINET DETAILS SEE SHOP DRAWINGS.
- CABINET SIZES MAY VARY WITH FULL-OVERLAY CABINETS.
- GROUND FAULT INTERRUPTER (GFCI) OUTLETS TO BE INSTALLED PER NEC 2017, SECT. 210.8
- PROVIDE HOSE BIBS PER DIVISION SPEC. SHEET. EXACT LOCATION TO BE FIELD DETERMINED UNLESS OTHERWISE NOTED ON THE PLANS.
- MIN. 50 C.F.M. FOR ALL EXHAUST FANS IN BATHROOMS

### INSULATION DETAILS

EXTERIOR STUD WALL CAVITY:	(2x4)	R-15
(2x6)	R-19	
FLOOR JOIST CAVITY AT STANDARD PERIMETER:	R-19	
FLOOR JOIST CAVITY AT CANTILEVER:	R-19	
OVER GARAGE: (OVER HORIZONTAL SPACE)	R-38 BLOWN	
(SLOPED AND VERTICAL SPACE)	R-38 BATT	

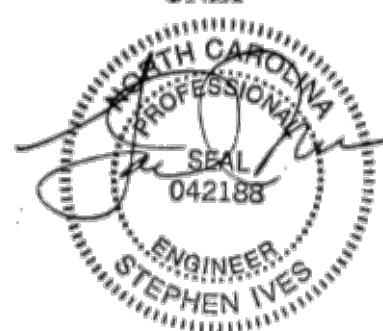
## ELEVATION NOTES

- WINDOW STYLE AND MULLIONS MAY VARY FROM ELEVATION DEPENDING UPON MANUFACTURER, STYLE, PATTERN, TYPE, ETC.
- USE SECONDARY HEAT BARRIER ON ALL DIRECT VENT FIREPLACES 7" OR LESS ABOVE A WALKWAY.
- GRADE AWAY FROM FOUNDATION WALLS SHALL FALL A MINIMUM OF 6" WITHIN THE FIRST 10'.
- PROVIDE TYVEK OR EQUIVALENT HOUSE WRAP BEHIND BRICK AND STONE VENEER OVER WOOD SHEATHING.
- PROVIDE BRICK WEEP HOLES AT 24" O.C. WITH BRICK VENEER AND MORTAR NET BEHIND AND THROUGH WEEP HOLES.
- PROVIDE FLASHING AND WEEP HOLES ABOVE ALL BRICK ANGLE IRONS, BELOW ALL BRICK SILLS AND ABOVE SILL PLATE SEALERS.
- EXTERIOR STEPS TO HAVE A MAXIMUM 8" RISER. WHEN VERTICAL RISE EXCEEDS 30" OR FOUR OR MORE CONTINUOUS RISERS, A HANDRAIL IS REQUIRED.

## ROOF PLAN NOTES

- ALL OVERHANGS TO HAVE (2) SOFFIT VENTS PER EACH 8' SOFFIT SECTION.
- PROVIDE BAFFLES AT EXTERIOR TRUSS BEARING FOR VENTILATION.
- PROVIDE 15# FELT PAPER UNDER SHINGLES.

**FOR STRUCTURE ONLY**



Space for Architect Seal

RESIDENCE FOR:  
**MODEL HOME**  
TBD  
**SERENITY**

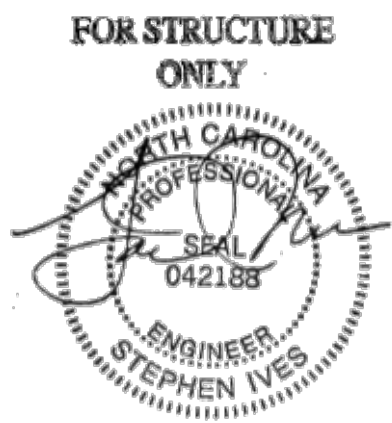
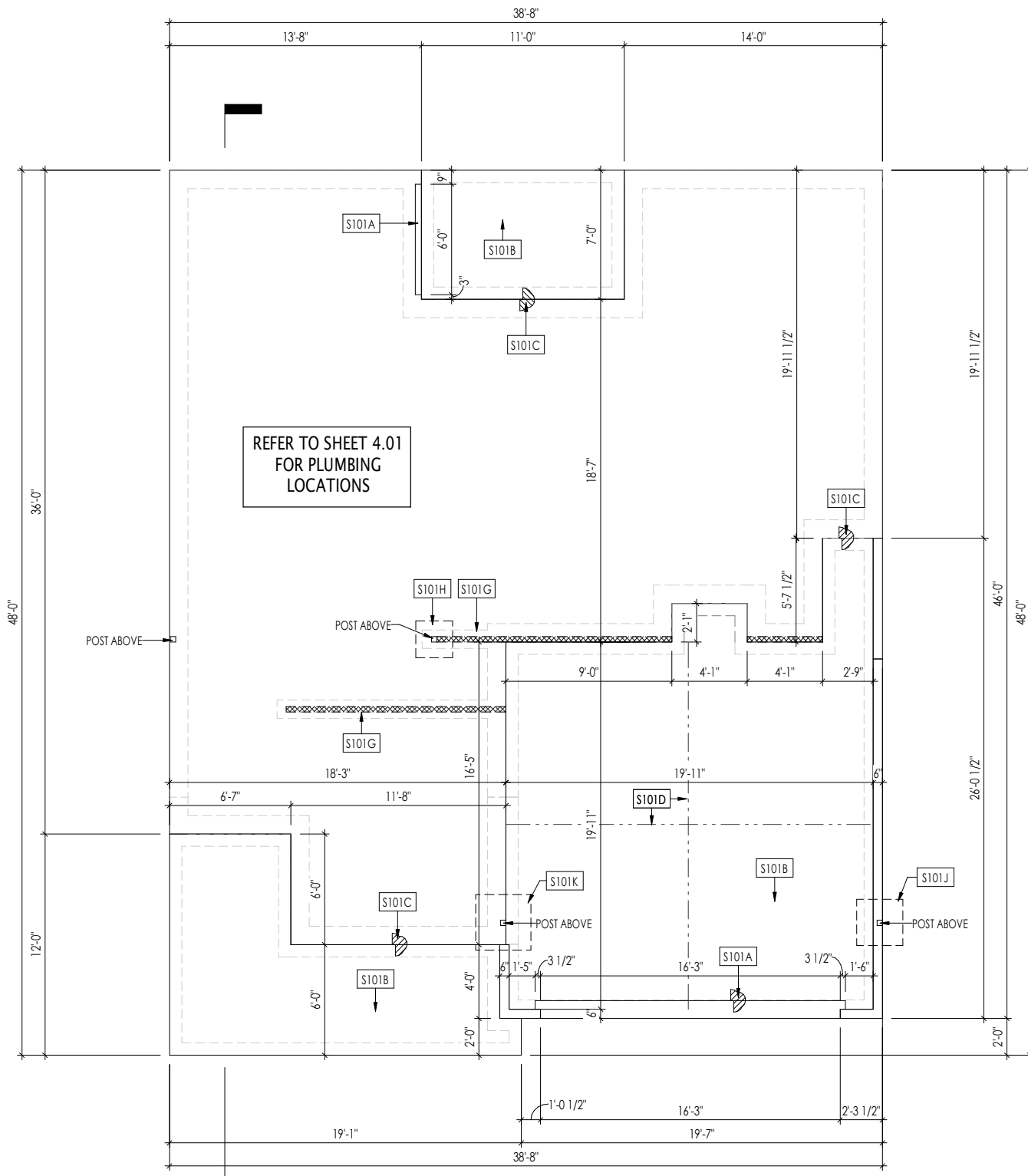
Job Number: <b>STY5-0087-00</b>	Drawing Date: <b>07.21.2022</b>	Coord Name: <b>GREG P.</b>	Coord Phone: <b>859-578-4355</b>
------------------------------------	------------------------------------	-------------------------------	-------------------------------------

House Name:	Drawing Scale: 1/8" = 1'0"	Contract Drawn By: <b>CLM</b>
-------------	----------------------------	----------------------------------

**the MEADOW**

Born on Date:	06/29/2021	CDs Drawn By:	SSP
---------------	------------	---------------	-----

<p>Copyright © 2021   2021   The Drees Company. All Rights Reserved. 7701 Six Forks Road, Suite 132, Raleigh, NC 27615 Phone: [919] 844-9288</p>	Sheet Information	<b>0N.1</b>
		General Notes Elevation "A"



**General Notes:**

- REFER TO SHEET ON.1 FOR GENERAL NOTES.
- REFER TO SHEET SD-1 FOR ENGINEERING NOTES. IF ARCHITECTURAL NOTES ARE IN CONFLICT, THE ENGINEERING NOTES OVERRIDE.

**Key Notes:**

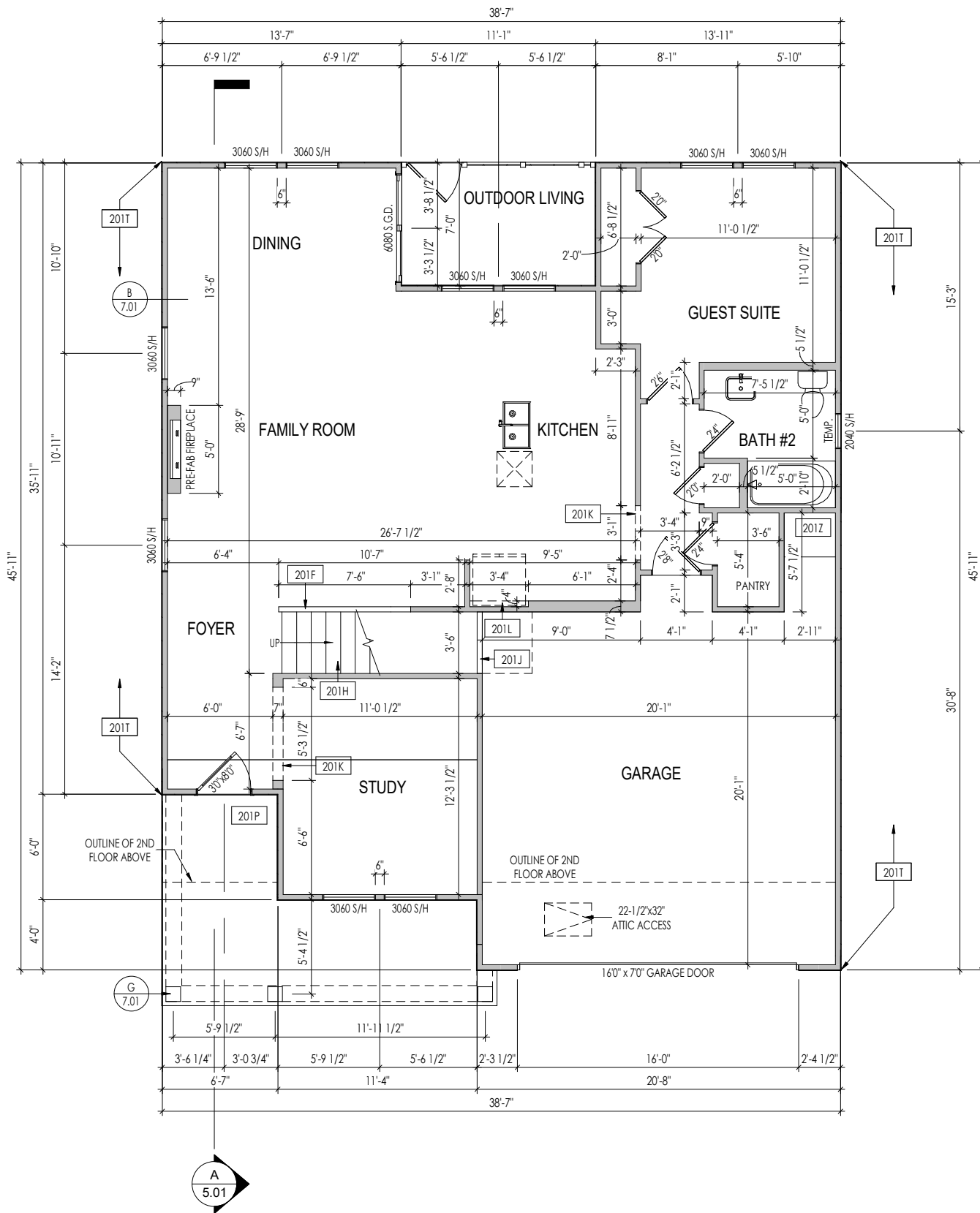
S101A	3/4" WEATHER LIP (1-1/2" @ SLIDING GLASS DOOR)
S101B	SLOPE SLAB 1/8" PER FOOT
S101C	DROP SLAB 3-1/2"
S101D	SLAB CONTROL JOINT
S101G	8"x16" THICKENED PLAIN CONCRETE FOOTING UNDER BEARING WALL ABOVE
S101H	24"x24"x8" PLAIN CONCRETE FOOTING UNDER POST ABOVE
S101J	30"x30"x12" ENLARGED CONCRETE FOOTING UNDER POST ABOVE
S101K	36"x36"x12" ENLARGED CONCRETE FOOTING UNDER POST ABOVE

Space for Architect Seal

RESIDENCE FOR:  
**MODEL HOME**  
TBD  
**SERENITY**

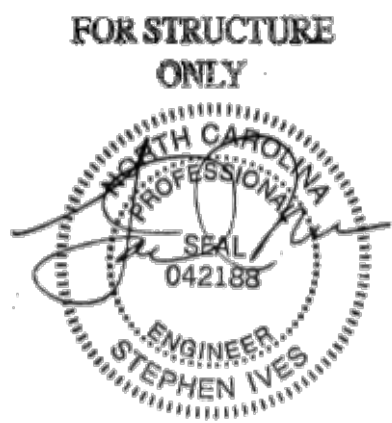
Job Number: <b>STY5-0087-00</b>	Drawing Date: <b>07.21.2022</b>	Coord Name: <b>GREG P.</b>	Coord Phone: <b>859-578-4355</b>
House Name: <b>the MEADOW</b>		Drawing Scale: 1/8" = 1'0"	Contract Drawn By: <b>CLM</b>
Born on Date: 06/29/2021		CDs Drawn By: SSP	Plan No.:

<p><b>Drees HOMES</b> SM</p> <p><small>Copyright © 2021 (2021) The Drees Company. All Rights Reserved. 7701 Six Forks Road, Suite 132, Raleigh, NC 27615 Phone: [919] 844-9288</small></p>	<p>Sheet Information</p>	<p><b>1.01S</b></p> <p>Foundation Plan (Slab) Elevation "A"</p>



PROVIDE 8' TALL DOORS  
THROUGHOUT FIRST FLOOR,  
U.N.O.

**REISSUED: 07/27/2022**



- General Notes:**
1. REFER TO SHEET (N.1) FOR GENERAL NOTES.
  2. ALL FIRST FLOOR CEILINGS TO BE 10'-1" ABOVE SUBFLOOR UNLESS OTHERWISE NOTED.
  3. FRAME TOP OF ALL WINDOWS AT 1'-10" BELOW TOP OF PLATE UNLESS OTHERWISE NOTED.
  4. ALL DROPPED, INTERIOR HEADERS (FALSE AND BEARING) ARE DROPPED 1'-3" FROM CEILING.
  5. REFER TO SELECTION SHEETS FOR FLOORING MATERIAL PRIOR TO CONSTRUCTING STAIRS TO DETERMINE RISER HEIGHTS.
  6. REFER TO SHEET 2.01S FOR STRUCTURAL INFORMATION.

- Key Notes:**
- 201F SLOPE WALL EVEN WITH TOP OF STAIR STRINGER, RAILING ABOVE
  - 201H SEE DETAIL F/7.01 FOR STAIR FRAMING DETAILS
  - 201J +/-7'-1 1/2" HIGH WALL UNDER STAIRS ABOVE
  - 201K FRAME TOP OF OPENING AT HEIGHT SPECIFIED IN GENERAL NOTES ON THIS SHEET
  - 201L REFRIG. HEADER HELD TO 6'-6" A.F.F.
  - 201P CARPENTER TO DROP ELECTRICAL WIRE THROUGH PORCH CEILING FOR LIGHTS
  - 201T PROVIDE 1/2" FIRE RATED PLYWOOD THIS SIDE
  - 201Z 18" HIGH WATER HEATER PLATFORM

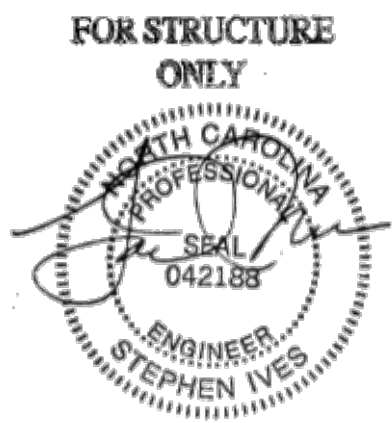
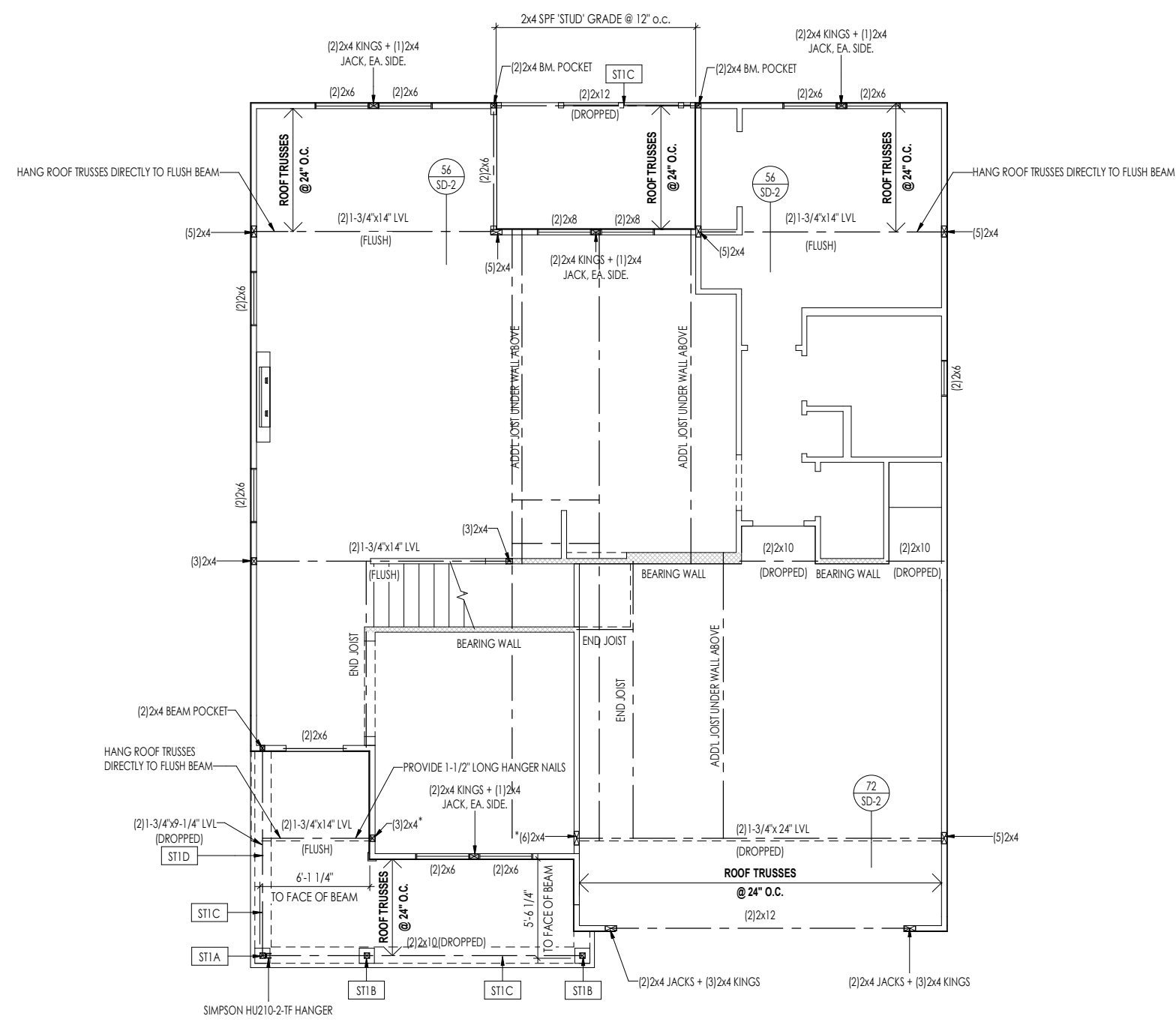
Space for Architect Seal

**RESIDENCE FOR:  
MODEL HOME  
TBD  
SERENITY**

Job Number: <b>STY5-0087-00</b>	Drawing Date: <b>07.21.2022</b>	Coord Name: <b>GREG P.</b>	Coord Phone: <b>859-578-4355</b>
House Name: <b>the MEADOW</b>		Drawing Scale: 1/8" = 1'0"	Contract Drawn By: <b>CLM</b>
Born on Date: 06/29/2021		CDs Drawn By: SSP	Plan No.:

Copyright © 2021 (2021) The Drees Company. All Rights Reserved.  
7701 Six Forks Road, Suite 132, Raleigh, NC 27615  
Phone: [919] 844-9288

**2.01F**  
First Floor Framing Plan  
Elevation "A"



**General Notes:**

- REFER TO SHEET SD-1 FOR ENGINEERING NOTES

**Key Notes:**

ST1A	SIMPSON BC4 CAP + ABW44Z BASE
ST1B	SIMPSON BCS2-2/4 CAP + ABW44Z BASE
ST1C	FRAME TOP OF BEAM AT 9'-1" ABOVE FIRST FLOOR SUBFLOOR/SLAB
ST1D	BUILDER RESPONSIBLE FOR WEATHER PROOFING BEAM

Space for Architect Seal

**RESIDENCE FOR:  
MODEL HOME  
TBD  
SERENITY**

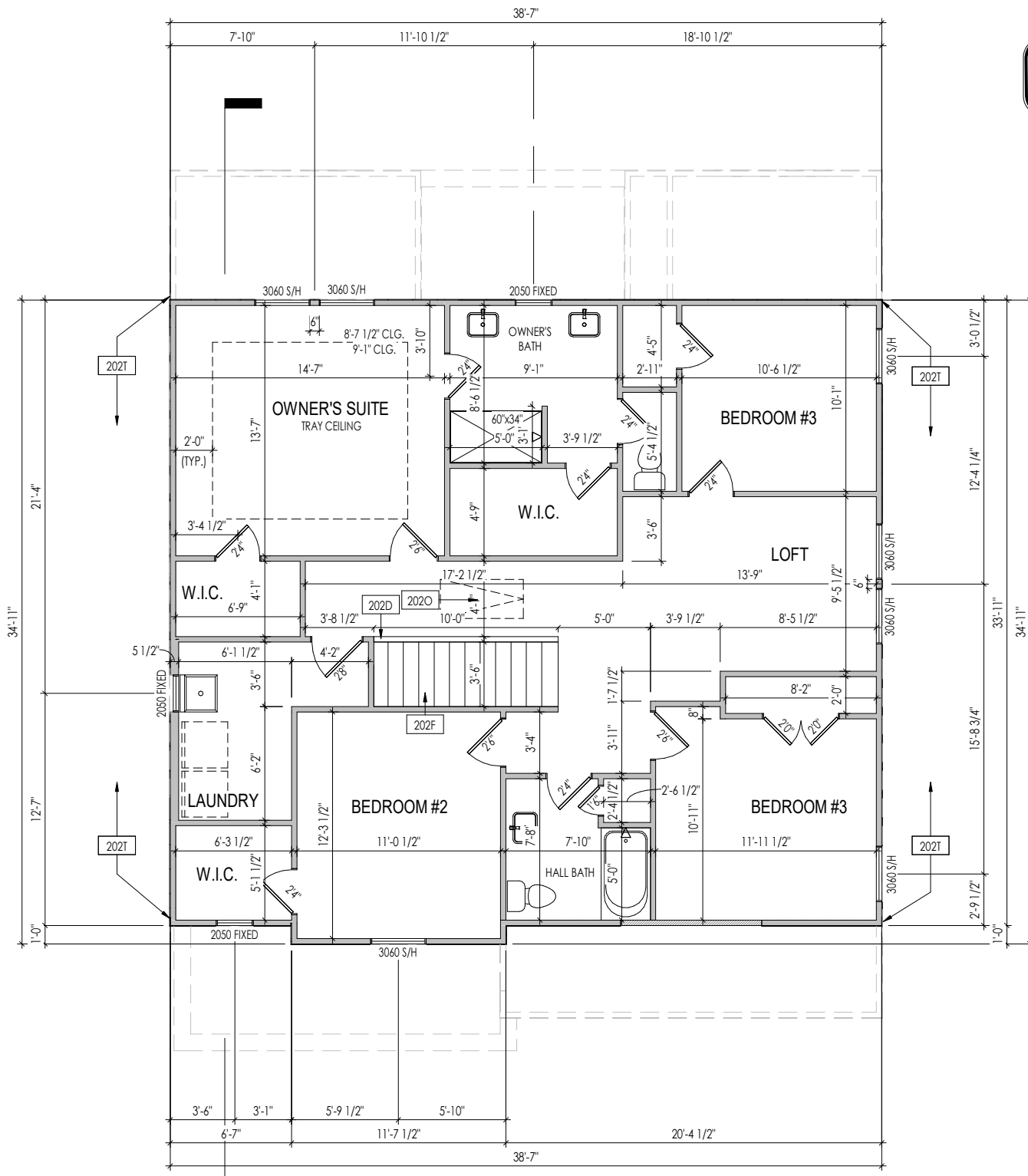
Job Number: <b>STY5-0087-00</b>	Drawing Date: <b>07.21.2022</b>	Coord Name: <b>GREG P.</b>	Coord Phone: <b>859-578-4355</b>
House Name: <b>the MEADOW</b>		Drawing Scale: 1/8" = 1'0"	
Born on Date: 06/29/2021		CDs Drawn By: SSP	

Contract Drawn By: **CLM**

Series:

Plan No.:

<p><b>Drees HOMES</b> SM</p> <p><small>Copyright © 2021 (2021) The Drees Company. All Rights Reserved. 7701 Six Forks Road, Suite 132, Raleigh, NC 27615 Phone: [919] 844-9288</small></p>	Sheet Information	<b>2.01S</b>
		First Floor Structural Plan Elevation "A"



**REISSUED: 07/27/2022**

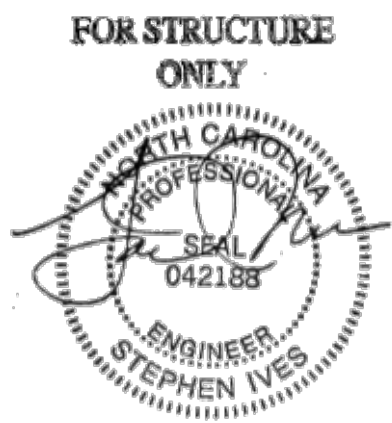
**General Notes:**

1. REFER TO SHEET 0N.1 FOR GENERAL NOTES.
2. ALL SECOND FLOOR CEILINGS TO BE 9'-1" ABOVE SUBFLOOR UNLESS OTHERWISE NOTED.
3. FRAME TOP OF ALL WINDOWS AT 1'-0 1/4" BELOW TOP OF PLATE UNLESS OTHERWISE NOTED.
4. ALL DROPPED, INTERIOR HEADERS (FALSE AND BEARING) ARE DROPPED 1'-0" FROM CEILING.
5. REFER TO SELECTION SHEETS FOR FLOORING MATERIAL PRIOR TO CONSTRUCTING STAIRS TO DETERMINE RISER HEIGHTS.
6. REFER TO SHEET 2.02S FOR STRUCTURAL INFORMATION.

**Key Notes:**

202D	36" HIGH WALL
202F	SEE DETAIL F/7.01 FOR STAIR FRAMING DETAILS
202O	PULL DOWN ATTIC ACCESS STAIRS (25-1/2" x 54") WITH LIGHT AND OUTLET
202T	PROVIDE 1/2" FIRE RATED PLYWOOD THIS SIDE

Space for Architect Seal



**RESIDENCE FOR:  
MODEL HOME  
TBD  
SERENITY**

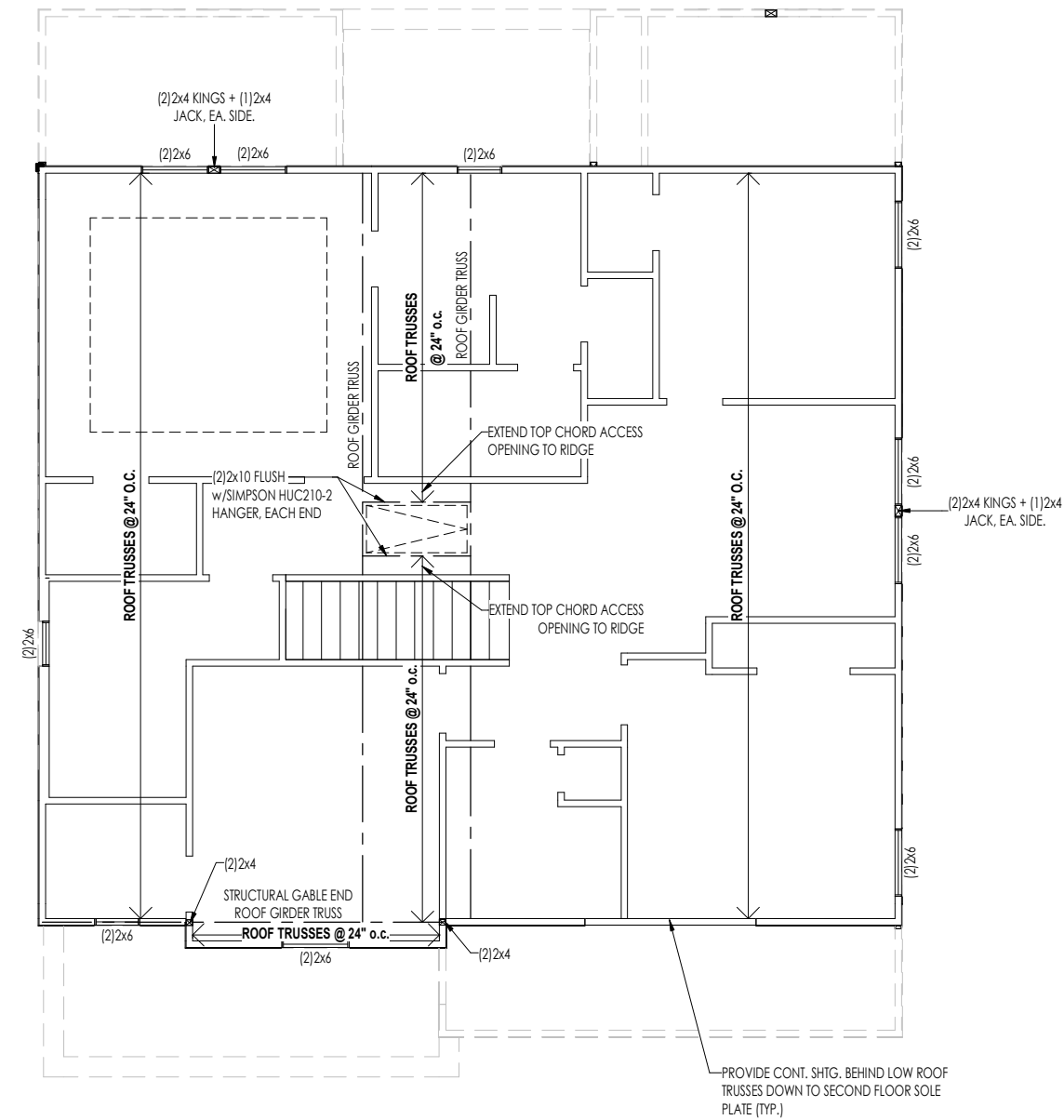
Job Number: <b>STY5-0087-00</b>	Drawing Date: <b>07.21.2022</b>	Coord Name: <b>GREG P.</b>	Coord Phone: <b>859-578-4355</b>
House Name: <b>the MEADOW</b>		Drawing Scale: 1/8" = 1'-0"	
Born on Date: 06/29/2021		CDs Drawn By: SSP	

Contract Drawn By: **CLM**

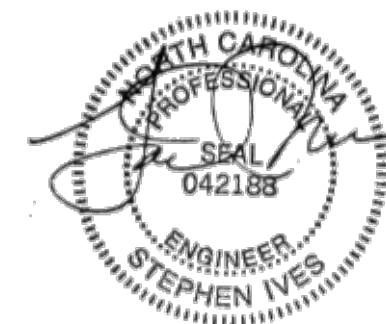
Series:

Plan No.:

<p><b>Drees HOMES</b> SM</p> <p><small>Copyright © 2021 (2021) The Drees Company. All Rights Reserved. 7701 Six Forks Road, Suite 132, Raleigh, NC 27615 Phone: [919] 844-9288</small></p>	<p>Sheet Information</p> <p><b>2.02F</b></p> <p>Second Floor Framing Plan Elevation "A"</p>



FOR STRUCTURE ONLY



General Notes:

1. REFER TO SHEET SD-1 FOR ENGINEERING NOTES

Key Notes:

RESIDENCE FOR:  
**MODEL HOME**  
TBD  
**SERENITY**

Job Number: <b>STY5-0087-00</b>	Drawing Date: <b>07.21.2022</b>	Coord Name: <b>GREG P.</b>	Coord Phone: <b>859-578-4355</b>
House Name: <b>the MEADOW</b>		Drawing Scale: 1/8" = 1'0"	
Contract Drawn By: <b>CLM</b>			Series:
Born on Date: 06/29/2021			CDs Drawn By: SSP
Plan No.:			

**Drees**  
HOMES<sup>SM</sup>

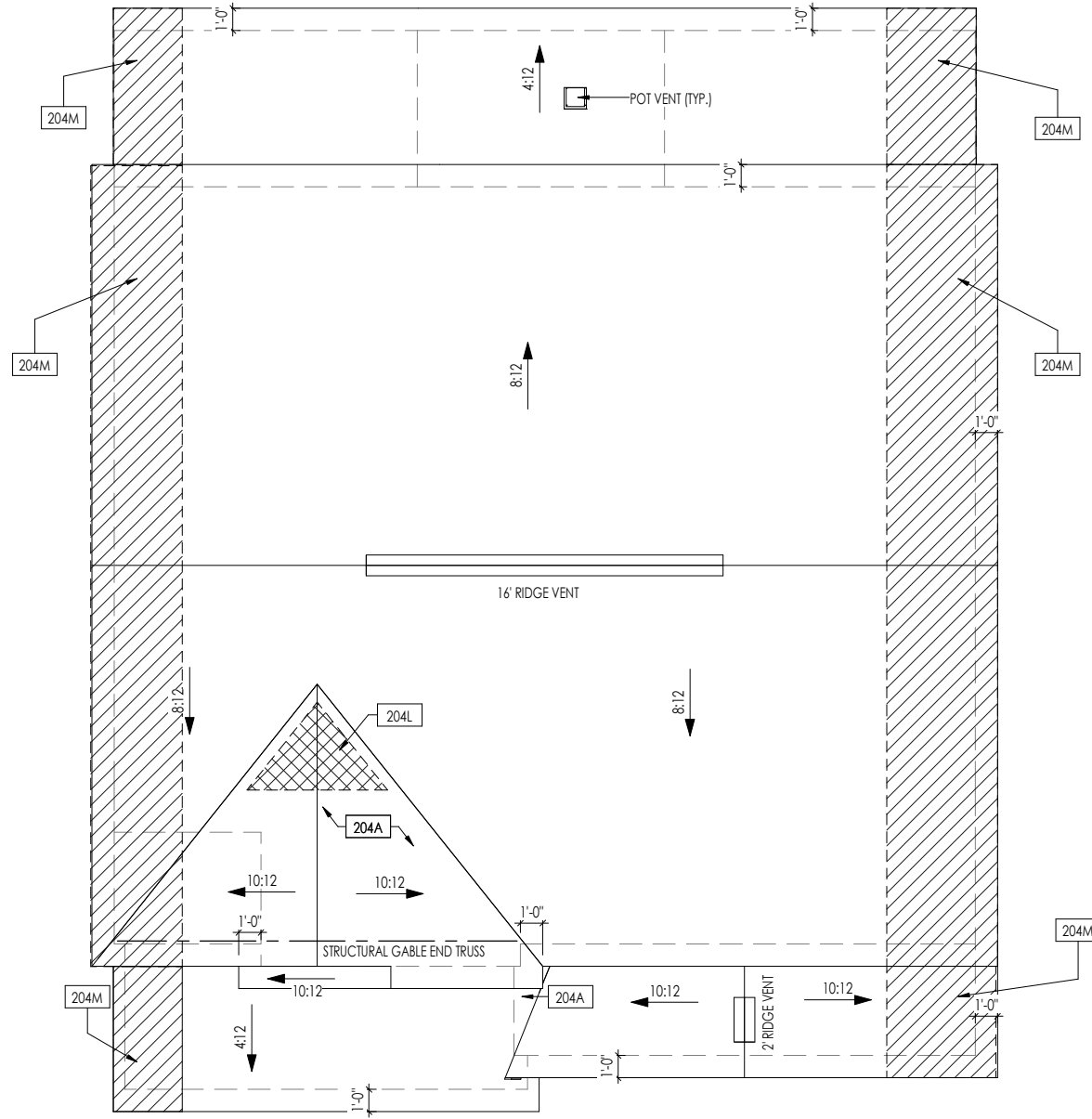
Copyright © 2021 (2021) The Drees Company. All Rights Reserved.  
7701 Six Forks Road, Suite 132, Raleigh, NC 27615  
Phone: [919] 844-9288

Sheet Information

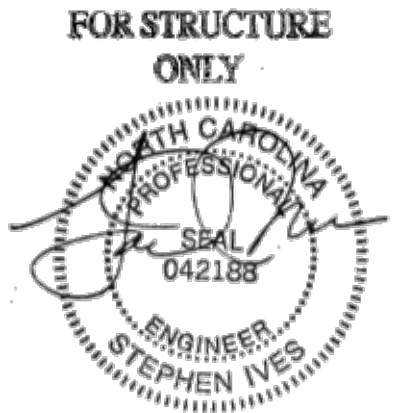
**2.02S**

Second Floor Structural Plan  
Elevation "A"

HEEL CUT STANDARDS		
	OVERHANG	
	1'-0"	2'-0"
4:12	3-3/4"	7-3/4"
5:12	4-3/4"	9-3/4"
6:12	5-3/4"	11-3/4"
7:12	6-3/4"	13-3/4"
8:12	7-3/4"	N/A
9:12	8-3/4"	N/A
10:12	9-3/4"	N/A
12:12	11-3/4"	N/A
14:12	13-3/4"	N/A



**REISSUED: 07/27/2022**



ROOF VENTILATION			
<b>CITY/SERIES:</b>	<b>RALEIGH</b>		
	MAIN HOUSE	REAR ROOF	GARAGE
TOTAL ATTIC AREA:	1,471	271	107
REQUIRED NET FREE VENTILATION (ATTIC AREA/300):	4.90	0.90	0.36
ACTUAL NET FREE VENTILATION (UPPER + LOWER):	4.96	2.88	0.49
DOWNSPOUT CALCULATION			
	MAIN HOUSE	REAR ROOF	GARAGE
TOTAL DRAINABLE ROOF AREA:	1912.3	352.3	139.1
MINIMUM # OF DOWNSPOUTS:	4	1	1

<b>General Notes:</b>	
1. REFER TO SHEET ON.1 FOR GENERAL NOTES.	
<b>Key Notes:</b>	
204A	VALLEY TRUSS OVER FRAMING @ 24" O.C.
204L	NO ROOF DECKING UNDER OVERFRAMING IN THIS AREA TO ALLOW FOR PROPER ATTIC VENTILATION
204M	4'-0"(MIN.) OF FIRE RETARDANT TREATED ROOF SHEATHING. NO PENETRATION ALLOWED WITHIN 4' OF EXTERIOR WALL - SEE DETAIL A/7.02 FOR FIRE BLOCKING AT SOFFIT
<b>CONNECTION SPECIFICATIONS (TYP. U.N.O.)</b>	
NOTE: 10d NAIL = 3" x 0.131" GUN NAIL	
JOIST TO SOLE PLATE	(3) 10d TOENAILS
SOLE PLATE TO JOIST/BLK'G.	10d NAILS @ 6" o.c.
STUD TO SOLE PLATE	(3) 10d TOENAILS
TOP OR SOLE PLATE TO STUD	(3) 10d NAILS
RIM TO TOP PLATE	10d TOENAILS @ 6" o.c.
BLK'G. BTWN. JOISTS TO TOP PL.	(3) 10d TOENAILS
RAFTER/TRUSS TO TOP PLATE	(3) 10d TOENAILS + (1) SIMPSON H2.5A
GAB. END TRUSS TO DBL. TOP PL.	10d TOENAILS @ 8" o.c.
R.T. w/ HEEL HT. 9 1/2" TO 12"	2x10 BLK EVERY 3RD BAY FASTENED TO DBL. TOP PLATE w/ 10d TOENAILS @ 6" O.C.
R.T. w/ HEEL HT. 12" TO 16"	2x12 BLK EVERY 3RD BAY FASTENED TO DBL. TOP PLATE w/ 10d TOENAILS @ 6" O.C.
R.T. w/ HEEL HT. UP TO 24"	LAP WALL SHTG. w/ DBL. TOP PL. & INSTALL ON TRUSS VERT. - FASTEN w/ 8d NAILS @ 6" O.C.
R.T. w/ HEEL HT. 24" TO 48"	LAP WALL SHTG. w/ DBL. TOP PL. & INSTALL ON TRUSS VERT. - FASTEN w/ 8d NAILS @ 6" O.C. PROVIDE 2x BLK @ EA. BAY AT TOP OF HEEL
DOUBLE STUD	10d NAILS @ 24" o.c.
DOUBLE TOP PLATE	10d NAILS @ 24" o.c.
DOUBLE TOP PLATE LAP SPLICE	(10) 10d NAILS IN LAPPED AREA
TOP PLATE LAP @ CORNERS & INTERSECTING WALLS	(2) 10d NAILS
WALL TO FOUNDATION	WALL SHTG. LAP w/ SILL PL. & FASTENED PER SHEAR WALL FASTENING SPEC.

Space for Architect Seal

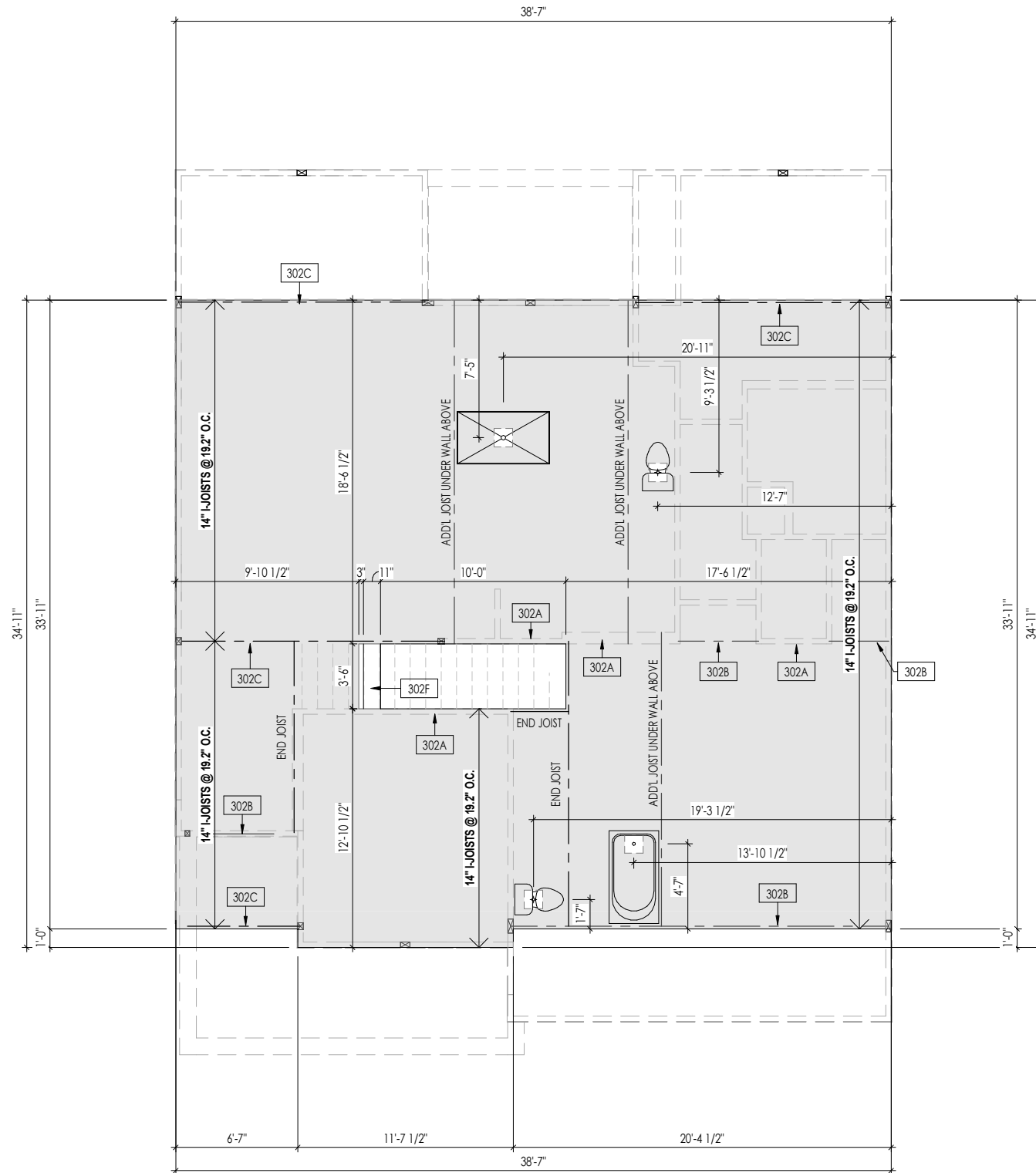
<b>RESIDENCE FOR:</b>			
<b>MODEL HOME</b>			
TBD			
<b>SERENITY</b>			
Job Number:	Drawing Date:	Coord Name:	Coord Phone:
STY5-0087-00	07.21.2022	GREG P.	859-578-4355
House Name:	Drawing Scale: 1/8" = 1'0"	Contract Drawn By:	
		CLM	
Series:			Plan No.:
Born on Date: 06/29/2021			CDs Drawn By: SSP

2.04

Roof Plan  
Elevation "A"

Copyright © 2021 | 2021 | The Drees Company. All Rights Reserved.  
7701 Six Forks Road, Suite 132, Raleigh, NC 27615  
Phone: (919) 844-9288





**General Notes:**

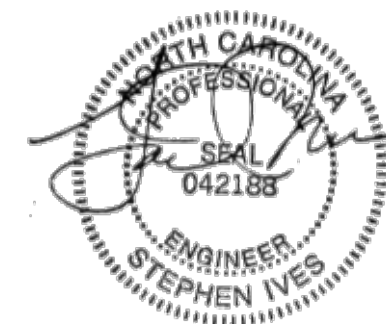
1. REFER TO SHEET 0N.1 FOR GENERAL NOTES.
2. FLOOR JOISTS TO BE 1 1/4" TJI 5000 SERIES, OR EQUAL, @ 19.2 O.C. UNLESS OTHERWISE NOTED.
3. JOISTS ARE NOT TO BE PLACED DIRECTLY OVER INTERIOR PARALLEL WALL. (TO PREVENT UNEVEN FLOOR DEFLECTION FROM OCCURRING)
4. ADDL JOISTS MAY BE LOCATED UP TO 2" AWAY FROM THE PARTITION WALL ABOVE IN CASES WHERE MECHANICAL PENETRATIONS

**Key Notes:**

302A	BEARING WALL BELOW
302B	BEAM BELOW - SEE SHEET 2.01S FOR MORE INFO
302C	FLUSH BEAM - SEE SHEET 2.01S FOR MORE INFO
302F	(2)2x8 (TOP FLUSH) NEXT TO 2x12 FLAT FRAME FOR STAIR HEADROOM - SEE DETAIL E/7.01

Space for Architect Seal

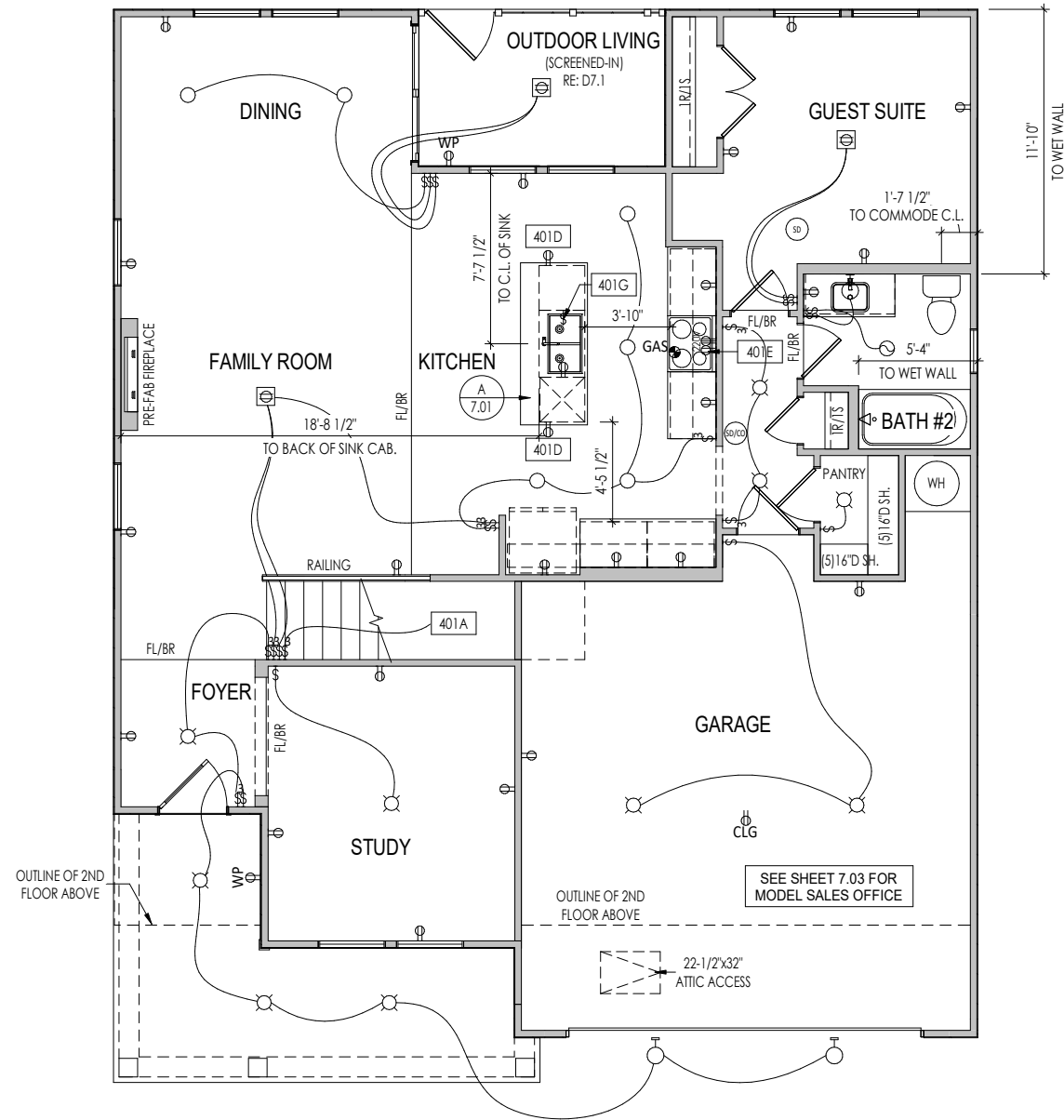
**FOR STRUCTURE ONLY**



RESIDENCE FOR:  
**MODEL HOME**  
TBD  
**SERENITY**

Job Number: <b>STY5-0087-00</b>	Drawing Date: <b>07.21.2022</b>	Coord Name: <b>GREG P.</b>	Coord Phone: <b>859-578-4355</b>
House Name: <b>the MEADOW</b>		Drawing Scale: 1/8" = 1'0"	Contract Drawn By: <b>CLM</b>
Born on Date: 06/29/2021			CDs Drawn By: SSP

<p>Copyright © 2021 (2021) The Drees Company. All Rights Reserved. 7701 Six Forks Road, Suite 132, Raleigh, NC 27615 Phone: (919) 844-9288</p>	<p>Sheet Information</p>	<p><b>3.02</b> Second Floor Subfloor Plan Elevation "A"</p>



**General Notes:**  
 1. REFER TO SHEET ON.1 FOR GENERAL NOTES.

**Key Notes:**

401A	TO SWITCH OR LIGHT ABOVE
401D	HOLD OUTLET HIGH ON ISLAND
401E	OUTLET FOR RANGE HOOD/MICROWAVE HELD HIGH
401G	PUSH BUTTON FOR GARBAGE DISPOSAL OR SWITCH LOCATED IN SINK CABINET - REFER TO SELECTIONS

**MECHANICAL LEGEND**

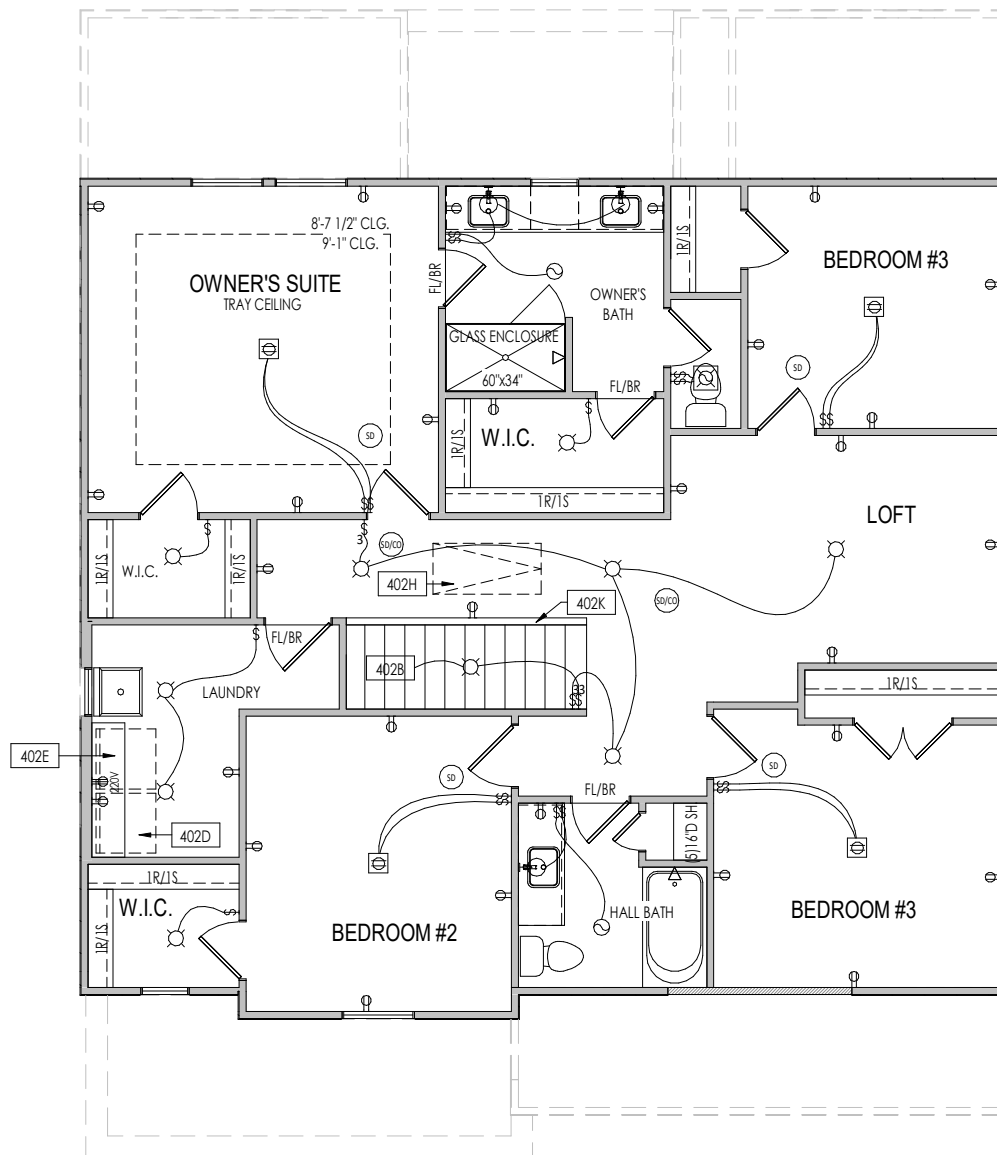
◀ PHONE JACK	○ CLG. MOUNTED LIGHT FIXT.	■ STAIR LIGHT
⊖ WALL OUTLET	○ SURFACE MOUNT DISC LIGHT OR RECESSED CBLING LIGHT, PER SPECS.	+ HOSE BIB
⊖ WEATHERPROOF GFCI OUTLET	○ WALL MOUNTED LIGHT FIXT.	△ SHOWER HEAD
⊖ 220 VOLT OUTLET	○ DOUBLE SPOTLIGHT FIXT.	⊖ GAS GAS HOOK UP
⊖ GFCI OUTLET	○ DIRECTIONAL CAN LIGHT	⊖ FLOOR DRAIN
⊖ FLOOR OUTLET	○ PIN LIGHT	⊖ SMOKE DETECTOR
⊖ CABLE TELEVISION JACK	○ WALL SCONCE @ 5'-6" A.F.F.	⊖ CO DETECTOR
⊖ SINGLE POLE SWITCH	○ FLUORESCENT LIGHT	⊖ SMOKE DETECTOR/CO DETECTOR COMBINATION
⊖ 3-WAY SWITCH	⊖ UNDER CABINET LIGHTING	⊖ EXHAUST FAN AND LIGHT COMBINATION
⊖ 4-WAY SWITCH		⊖ CLG. MTD. EXHAUST FAN
⊖ BLOCK, MOUNT, & SWITCH FOR FUTURE FAN/LIGHT COMBINATION (CENTER, UNLESS OTHERWISE NOTED)		

Space for Architect Seal

**RESIDENCE FOR:  
 MODEL HOME  
 TBD  
 SERENITY**

Job Number: <b>STY5-0087-00</b>	Drawing Date: <b>07.21.2022</b>	Coord Name: <b>GREG P.</b>	Coord Phone: <b>859-578-4355</b>
House Name: <b>the MEADOW</b>			Contract Drawn By: <b>CLM</b>
Born on Date: 06/29/2021			CDs Drawn By: SSP

<p><b>Drees HOMES</b>  <small>Copyright © 2021   2021   The Drees Company. All Rights Reserved.        7701 Six Forks Road, Suite 132, Raleigh, NC 27615        Phone: [919] 844-9288</small></p>	Sheet Information	<b>4.01</b>
		<b>First Floor Mechanical Plan        Elevation "A"</b>



<b>General Notes:</b>		
1. REFER TO SHEET ON.1 FOR GENERAL NOTES.		
<b>Key Notes:</b>		
402B	TO SWITCH OR LIGHT BELOW	
402D	LOCATE WASHER TO LEFT OF DRYER	
402E	16" DEEP x 5'-6" LONG SHELF HELD AT 5'-7" A.F.F.	
402H	PULL DOWN ATTIC ACCESS STAIRS W/ LIGHT AND OUTLET	
402K	HALF WALL WITH WOOD CAP	
<b>MECHANICAL LEGEND</b>		
◀ PHONE JACK	○ CLG. MOUNTED LIGHT FIXT.	■ STAIR LIGHT
⊖ WALL OUTLET	○ SURFACE MOUNT DISC LIGHT OR RECESSED CEILING LIGHT, PER SPECS.	+ HOSE BIB
⊖ WEATHERPROOF GFCI OUTLET	○ WALL MOUNTED LIGHT FIXT.	△ SHOWER HEAD
⊖ 220 VOLT OUTLET	○ DOUBLE SPOTLIGHT FIXT.	⊖ GAS GAS HOOK UP
⊖ GFCI OUTLET	○ DIRECTIONAL CAN LIGHT	⊖ FLOOR DRAIN
⊖ FLOOR OUTLET	○ PIN LIGHT	⊖ SMOKE DETECTOR
⊖ CABLE TELEVISION JACK	○ WALL SCONCE @ 5'-6" A.F.F.	⊖ CO DETECTOR
↔ SINGLE POLE SWITCH	○ FLUORESCENT LIGHT	⊖ SMOKE DETECTOR/CO DETECTOR COMBINATION
↔ 3-WAY SWITCH	⇌ UNDER CABINET LIGHTING	⊖ EXHAUST FAN AND LIGHT COMBINATION
↔ 4-WAY SWITCH	⊖ BLOCK, MOUNT, & SWITCH FOR FUTURE FAN/LIGHT COMBINATION (CENTER, UNLESS OTHERWISE NOTED)	⊖ CLG. MTD. EXHAUST FAN

Space for Architect Seal

RESIDENCE FOR:  
**MODEL HOME**  
 TBD  
**SERENITY**

Job Number: <b>STY5-0087-00</b>	Drawing Date: <b>07.21.2022</b>	Coord Name: <b>GREG P.</b>	Coord Phone: <b>859-578-4355</b>
House Name: <b>the MEADOW</b>			Contract Drawn By: <b>CLM</b>
Born on Date: 06/29/2021			CDs Drawn By: SSP



Copyright © 2021 (2021) The Drees Company. All Rights Reserved.  
 7701 Six Forks Road, Suite 132, Raleigh, NC 27615  
 Phone: [919] 844-9288

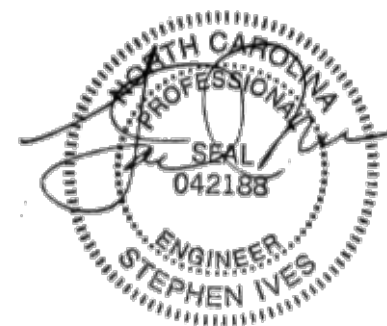
**4.02**  
 Second Floor Mechanical Plan  
 Elevation "A"

Sheet Information



A  
5.01 BUILDING SECTION THRU STAIRS  
1/8" = 1'-0"

FOR STRUCTURE  
ONLY



General Notes:

1. REFER TO SHEET ON.1 FOR GENERAL NOTES.

Key Notes:

Space for Architect Seal

RESIDENCE FOR:  
**MODEL HOME**  
TBD  
SERENITY

Job Number: STY5-0087-00	Drawing Date: 07.21.2022	Coord Name: GREG P.	Coord Phone: 859-578-4355
-----------------------------	-----------------------------	------------------------	------------------------------

House Name:	Drawing Scale: 1/8" = 1'-0"	Contract Drawn By: CLM
-------------	-----------------------------	---------------------------

**the MEADOW**

Born on Date: 06/29/2021	CDs Drawn By: SSP	Plan No.:
--------------------------	-------------------	-----------



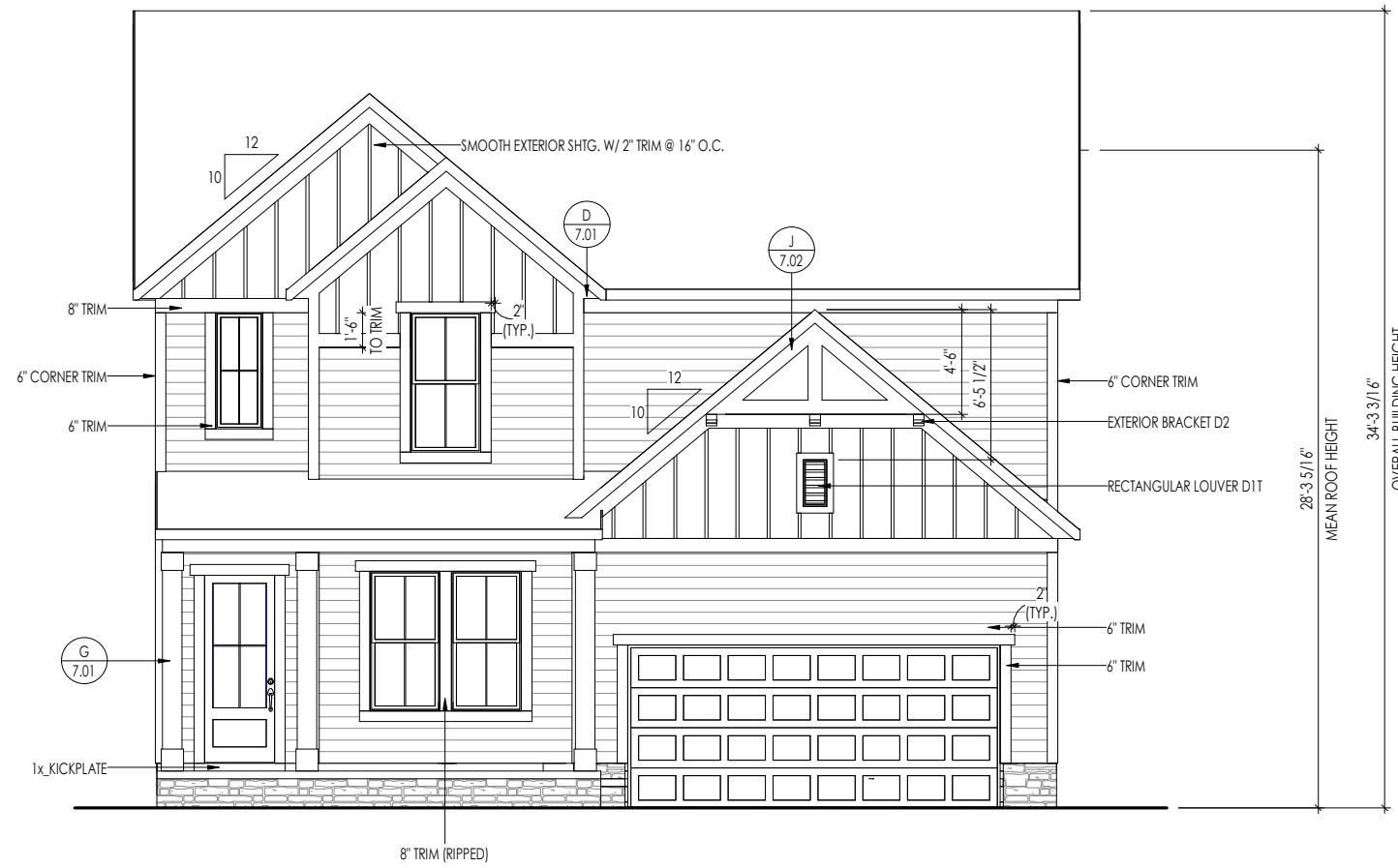
Sheet Information

**5.01**  
Building Section  
Elevation "A"

<b>TYPICAL TRIM:</b>
<b>6" FASCIA</b> (ALL SIDES)
<b>8" FRIEZE</b> (FRONT ONLY, UNLESS OTHERWISE NOTED)

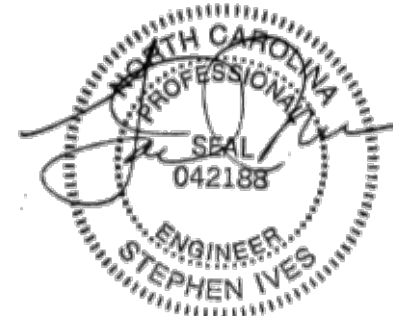
General Notes:  
 1. REFER TO SHEET ON.1 FOR GENERAL NOTES.  
 2. ROOFING MATERIAL PER SELECTIONS.  
 3. REFER TO SHEET SD-1 FOR LINTEL SCHEDULE, AS NEEDED.  
 4. CONTACT M&K ENGINEERING FOR HEADER SIZE/BRICK SUPPORT IF GRADE DROPS AND THE AMOUNT OF BRICK OVER GARAGE DOOR SHOWN ON CURRENT ELEVATION IS NO LONGER ACCURATE

Key Notes:



**ELEVATION "A"**

FOR STRUCTURE  
ONLY



**REISSUED: 08/15/2022**

Space for Architect Seal

RESIDENCE FOR:  
**MODEL HOME**  
TBD  
**SERENITY**

Job Number: <b>STY5-0087-00</b>	Drawing Date: <b>07.21.2022</b>	Coord Name: <b>GREG P.</b>	Coord Phone: <b>859-578-4355</b>
House Name: <b>the MEADOW</b>		Drawing Scale: 1/8" = 1'0"	
Contract Drawn By: <b>CLM</b>		Series:	
Born on Date: 06/29/2021		CDs Drawn By: SSP	
Plan No.:			



**Drees**  
HOMES<sup>SM</sup>

Copyright © 2021 | 2021 | The Drees Company. All Rights Reserved.  
7701 Six Forks Road, Suite 132, Raleigh, NC 27615  
Phone: [919] 844-9288

Sheet Information

# 6.01

Front Elevation  
Elevation "A"

<b>TYPICAL TRIM:</b>
<b>6" FASCIA</b> (ALL SIDES)
<b>8" FRIEZE</b> (FRONT ONLY, UNLESS OTHERWISE NOTED)

General Notes:

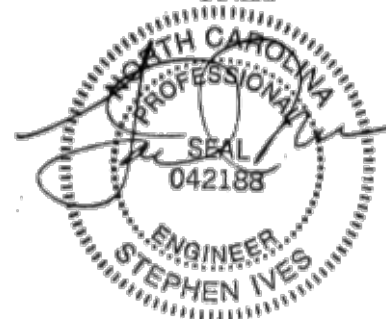
1. REFER TO SHEET ON-1 FOR GENERAL NOTES.
2. ROOFING MATERIAL PER SELECTIONS.
3. REFER TO LINTEL SCHEDULE AS NEEDED ON SHEET SD-1.

Key Notes:



Space for Architect Seal

FOR STRUCTURE  
ONLY



**REISSUED: 08/12/2022**

RESIDENCE FOR:  
**MODEL HOME**  
TBD  
SERENITY

Job Number: <b>STY5-0087-00</b>	Drawing Date: <b>07.21.2022</b>	Coord Name: <b>GREG P.</b>	Coord Phone: <b>859-578-4355</b>
House Name: <b>the MEADOW</b>		Drawing Scale: 1/8" = 1'0"	
Contract Drawn By: <b>CLM</b>			Series:
Born on Date: <b>06/29/2021</b>			CDs Drawn By: <b>SSP</b>
Plan No.:			

<p><b>Drees HOMES</b> SM</p> <p><small>Copyright © 2021   2021   The Drees Company. All Rights Reserved. 7701 Six Forks Road, Suite 132, Raleigh, NC 27615 Phone: [919] 844-9288</small></p>	<p>Sheet Information</p>	<p><b>6.02</b></p> <p>Garage Side Elevation Elevation "A"</p>

<b>TYPICAL TRIM:</b>
<b>6" FASCIA</b> (ALL SIDES)
<b>8" FRIEZE</b> (FRONT ONLY, UNLESS OTHERWISE NOTED)

**General Notes:**

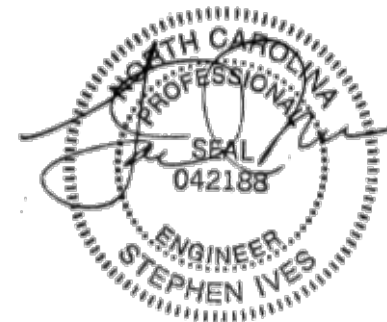
1. REFER TO SHEET ON-1 FOR GENERAL NOTES.
2. ROOFING MATERIAL PER SELECTIONS.
3. REFER TO LINTEL SCHEDULE AS NEEDED ON SHEET SD-1.

**Key Notes:**

Space for Architect Seal



**FOR STRUCTURE ONLY**



RESIDENCE FOR:  
**MODEL HOME**  
TBD  
**SERENITY**

Job Number: <b>STY5-0087-00</b>	Drawing Date: <b>07.21.2022</b>	Coord Name: <b>GREG P.</b>	Coord Phone: <b>859-578-4355</b>
House Name: <b>the MEADOW</b>		Drawing Scale: 1/8" = 1'0"	
Contract Drawn By: <b>CLM</b>			Series:
Born on Date: <b>06/29/2021</b>			CDs Drawn By: <b>SSP</b>
Plan No.:			

<p><b>Drees HOMES</b> SM</p> <p><small>Copyright © 2021 (2021) The Drees Company. All Rights Reserved. 7701 Six Forks Road, Suite 132, Raleigh, NC 27615 Phone: [919] 844-9288</small></p>	Sheet Information	<b>6.03</b>
		Rear Elevation Elevation "A"

<b>TYPICAL TRIM:</b>
<b>6" FASCIA</b> (ALL SIDES)
<b>8" FRIEZE</b> (FRONT ONLY, UNLESS OTHERWISE NOTED)

General Notes:

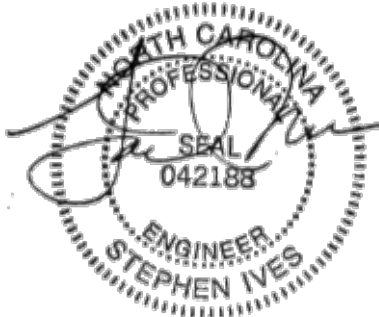
1. REFER TO SHEET ON-1 FOR GENERAL NOTES.
2. ROOFING MATERIAL PER SELECTIONS.
3. REFER TO LINTEL SCHEDULE AS NEEDED ON SHEET SD-1.

Key Notes:

Space for Architect Seal



FOR STRUCTURE  
ONLY



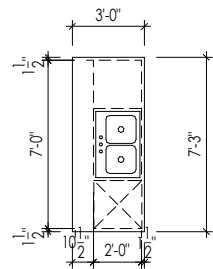
**REISSUED: 08/12/2022**

RESIDENCE FOR:  
**MODEL HOME**  
TBD  
**SERENITY**

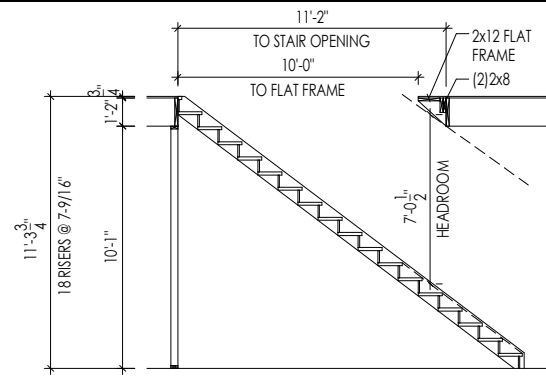
Job Number: <b>STY5-0087-00</b>	Drawing Date: <b>07.21.2022</b>	Coord Name: <b>GREG P.</b>	Coord Phone: <b>859-578-4355</b>
House Name: <b>the MEADOW</b>			Contract Drawn By: <b>CLM</b>
Born on Date: <b>06/29/2021</b>			CDs Drawn By: <b>SSP</b>
Series:			Plan No.:

<p><b>Drees HOMES</b> SM</p> <p><small>Copyright © 2021   2021   The Drees Company. All Rights Reserved. 7701 Six Forks Road, Suite 132, Raleigh, NC 27615 Phone: [919] 844-9288</small></p>	<p>Sheet Information</p>	<p><b>6.04</b></p> <p>Side Elevation Elevation "A"</p>

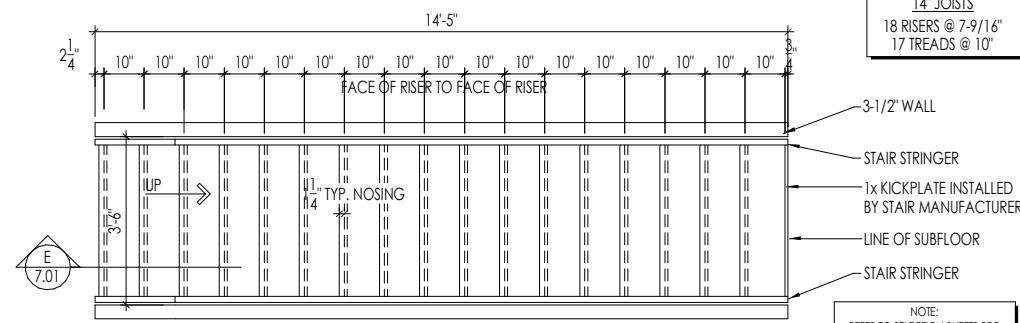




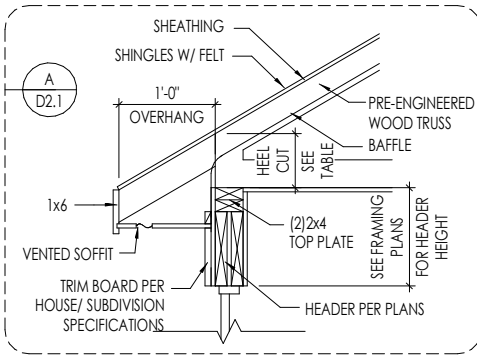
**A**  
7.01  
**KITCHEN ISLAND**  
SCALE: 1/8" = 1'-0"



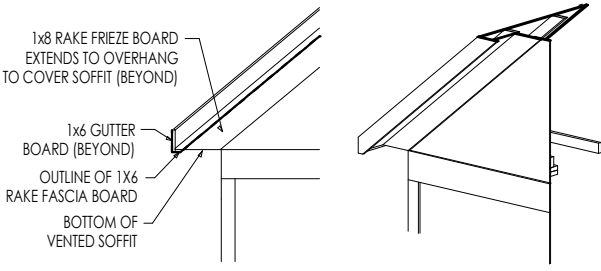
**E**  
7.01  
**STAIR SECTION**  
SCALE: 1/8" = 1'-0"



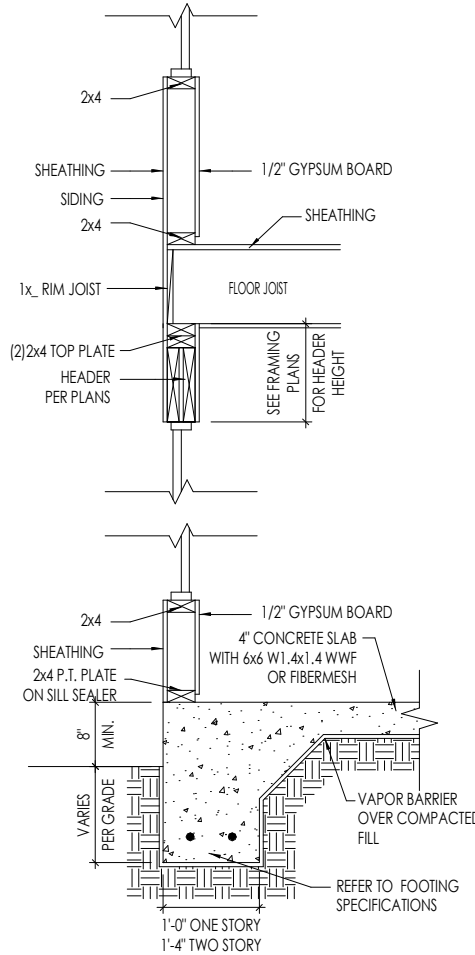
**F**  
7.01  
**STAIR FRAMING DETAILS**  
SCALE: 1/4" = 1'-0"



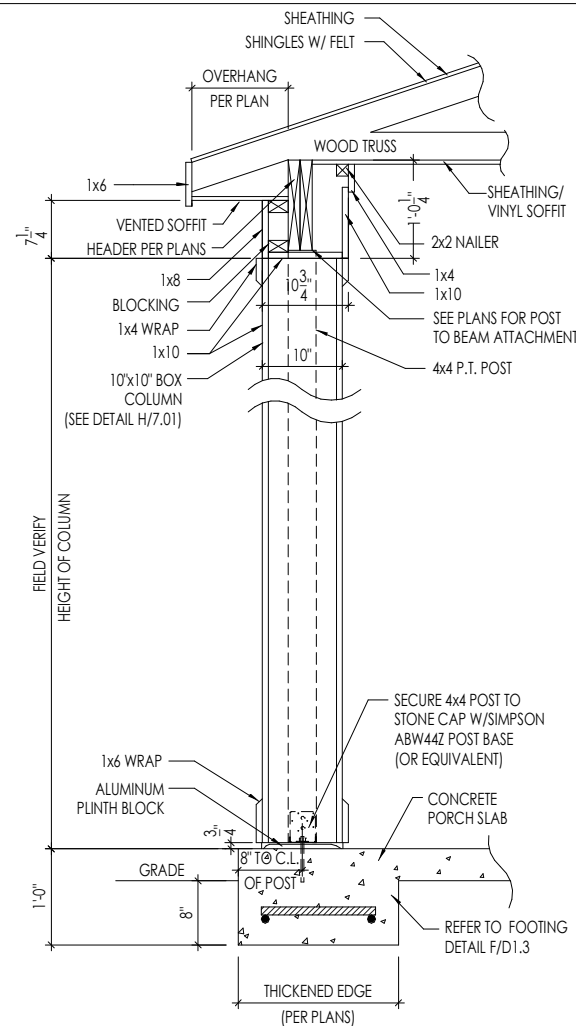
**D**  
7.01  
**RAFTER TAIL DETAIL**  
SCALE: 1/4" = 1'-0"



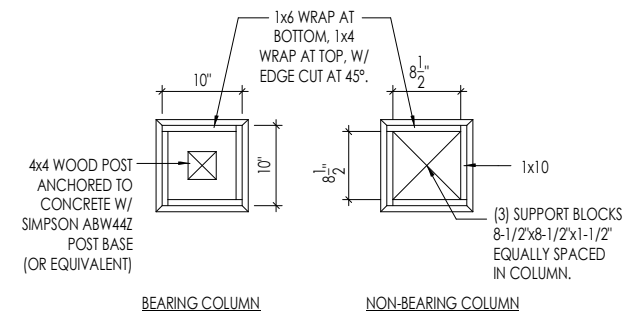
**ELEVATION**      **3D VIEW**



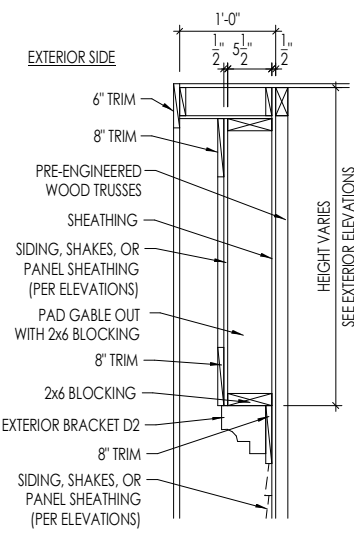
**B**  
7.01  
**TYPICAL WALL SECTIONS**  
SCALE: 1/2" = 1'-0"



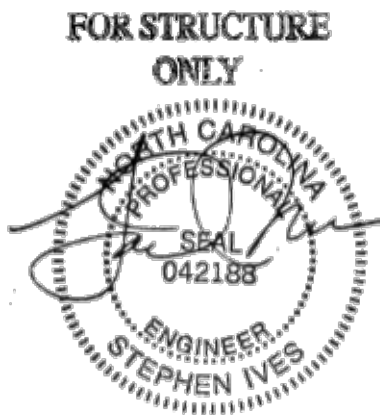
**G**  
7.01  
**FRONT PORCH COLUMN**  
SCALE: 1/2" = 1'-0"



**H**  
7.01  
**10" BOX COLUMN DETAIL**  
SCALE: 1/2" = 1'-0"



**J**  
7.01  
**GABLE PAD-OUT DETAIL**  
SCALE: 1/2" = 1'-0"



Space for Architect Seal

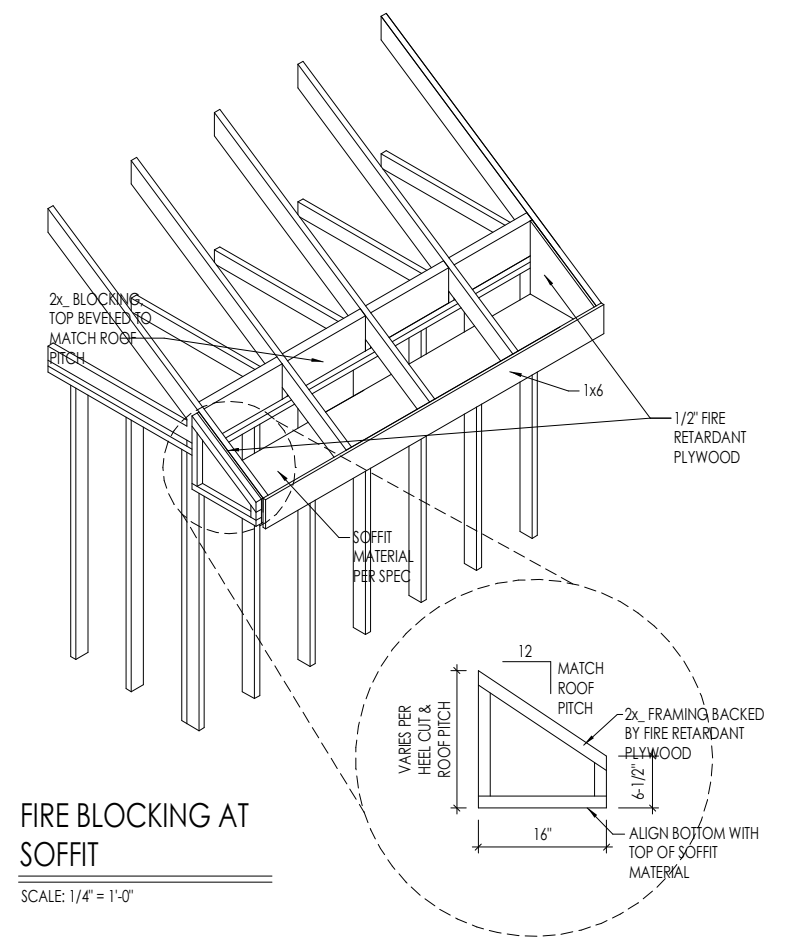
**RESIDENCE FOR:  
MODEL HOME  
TBD  
SERENITY**

Job Number: <b>STY5-0087-00</b>	Drawing Date: <b>07.21.2022</b>	Coord Name: <b>GREG P.</b>	Coord Phone: <b>859-578-4355</b>
House Name: <b>the MEADOW</b>		Drawing Scale: 1/8" = 1'-0"	
Born on Date: 06/29/2021		CDs Drawn By: SSP	
Contract Drawn By: <b>CLM</b>		Series:	
Plan No.:		Sheet Information	

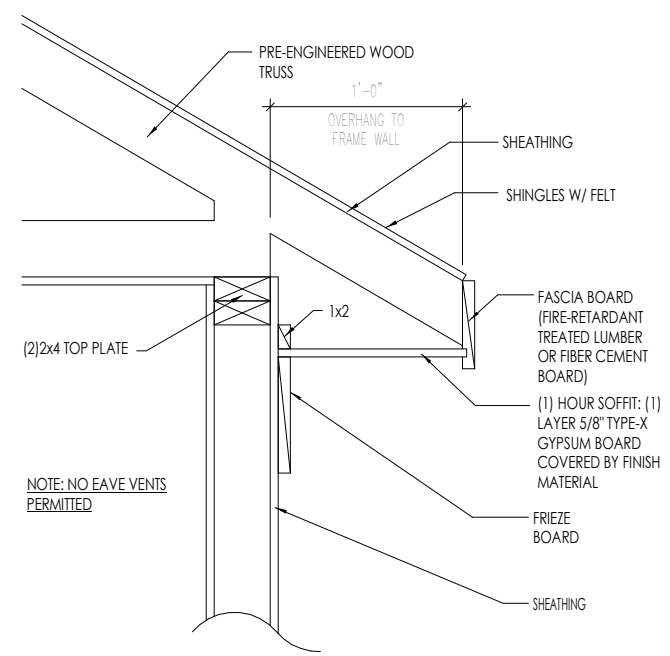


**7.01**  
House Specific Details  
Elevation "A"

**REISSUED: 07/27/2022**



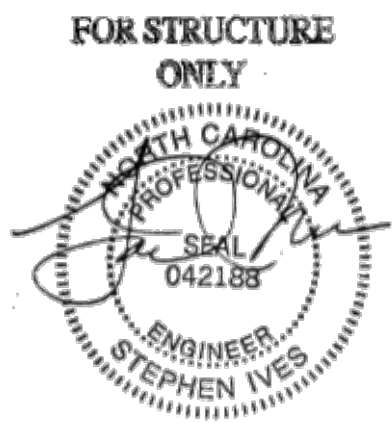
**FIRE BLOCKING AT SOFFIT**  
SCALE: 1/4" = 1'-0"



(1) HOUR RATING ON UNDERSIDE OF SOFFIT OVERHANG (WHEN WITHIN 2'-0" TO 5'-0" OF PROPERTY LINE)

SCALE: 1" = 1'-0"

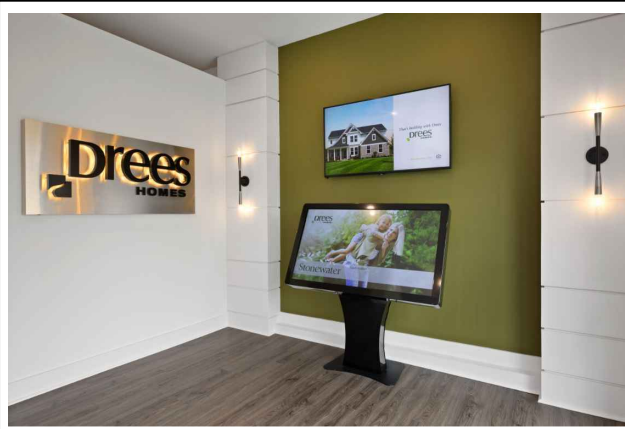
**A**  
**7.02** SOFFIT FIRE BLOCKING DETAILS  
SCALE: 1/4" = 1'-0"



Space for Architect Seal

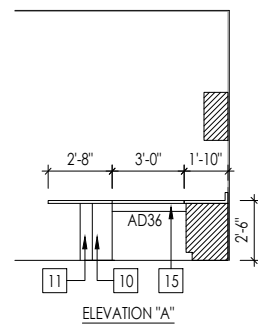
<b>RESIDENCE FOR: MODEL HOME TBD SERENITY</b>			
Job Number: <b>STY5-0087-00</b>	Drawing Date: <b>07.21.2022</b>	Coord Name: <b>GREG P.</b>	Coord Phone: <b>859-578-4355</b>
House Name: <b>the MEADOW</b>		Drawing Scale: 1/8" = 1'-0"	Contract Drawn By: <b>CLM</b>
Born on Date: 06/29/2021		CDs Drawn By: SSP	Plan No.:

<p><b>Drees HOMES</b> SM</p> <p><small>Copyright © 2021 (2021) The Drees Company. All Rights Reserved. 7701 Six Forks Road, Suite 132, Raleigh, NC 27615 Phone: [919] 844-9288</small></p>	Sheet Information	<b>7.02</b>
		House Specific Details Elevation "A"

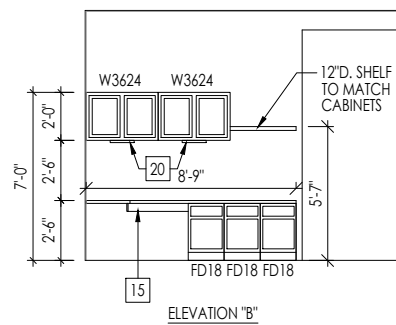


**WRAPPED PILASTER IMAGE (INSTALLED)**

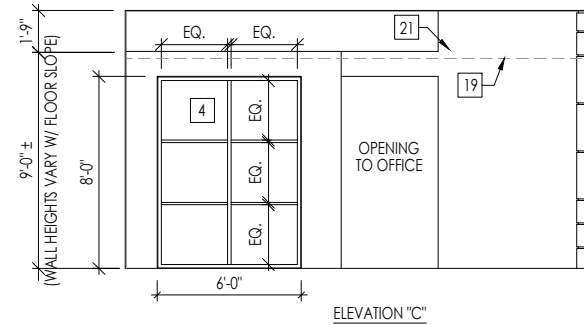
\* FOR REFERENCE ONLY - REFER TO DETAIL FOR JOB SPECIFIC APPLICATION



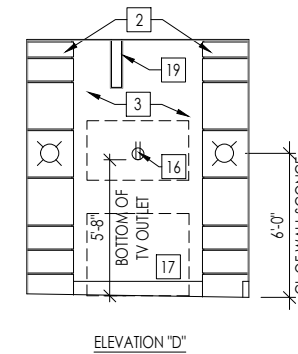
ELEVATION "A"



ELEVATION "B"



ELEVATION "C"



ELEVATION "D"

**SALES MODEL ELEVATIONS**

SCALE: 1/8" = 1'-0"

INTERIOR SELECTIONS FOR CABINETRY, COUNTERTOPS, FLOORING, PAINT, WALLCOVERINGS, & FURNITURE PER STANDARD MODEL SELECTIONS. SEE MARKETING.

**General Notes:**

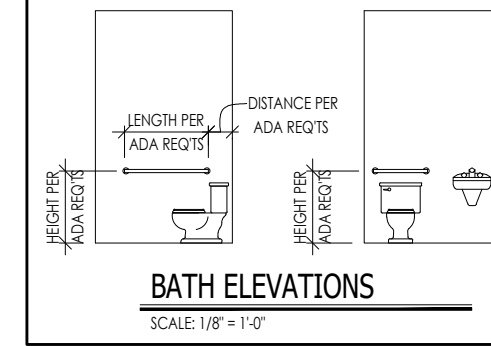
1. REFER TO SHEET ON.1 FOR GENERAL NOTES.

**Key Notes:**

- 1 FRAME TOP OF OPENING EVEN W/ TOP OF FIXED PANEL GLASS WINDOW AT OFFICE - NO CASING
- 2 WRAPPED PILASTERS FRAMED TO CEILING AND PAINTED TO MATCH TRIM - SEE DETAIL THIS SHEET
- 3 WALL BETWEEN PILASTERS TO BE PAINTED ACCENT COLOR - RE: STANDARD MODEL SELECTIONS
- 4 FRAME ROUGH OPENING FOR 6'-0" WIDE x 8'-0" TALL FIXED PANEL GLASS WITH 6-LITES AND BLACK METAL MULLIONS, BOTTOM FLUSH TO FLOOR
- 5 DREES LOGO SIGNAGE ON WALL WITH BACK LIGHTING - OUTLET TO BE CENTERED IN THE MIDDLE OF THE WALL WITH THE BOTTOM OF THE OUTLET 3'-6" A.F.F.
- 6 OUTLET/ PHONE BELOW COUNTER.
- 7 GROMMETS IN COUNTER FOR PHONE/ELECTRIC BELOW.
- 8 FRAME TOP OF WALLS AT OFFICE 1'-9" DOWN FROM GARAGE CEILING
- 9 PLAS. LAMINATE SUPPORT PANEL 12"W. X 30"H. X 3/4" TH. PLASTIC LAM. ALL (4) SIDES.
- 10 L-SHAPED PLAS. LAM. MODESTY PANEL. INTERIOR DIMENSIONS: 3'-0" WIDE x 1'-8" DEEP.
- 11 6X6 PLAS. LAM. SUPPORT COLUMN FOR COUNTERTOP.
- 12 3 BASE FILE CABINETS. SEE ELEVATION 'B'
- 13 BROCHURE HOLDERS.
- 14 OUTLET/ DATA JACK HELD HIGH
- 15 VALANCE/ FILLER AS REQ'D.
- 16 FLAT SCREEN TV ON WALL - PROVIDE CAT 5 AND OUTLET HELD HIGH (7'-1" A.F.F.)
- 17 HOLD OUTLET AND CAT 5 LOW FOR INTERACTIVE DISPLAY KIOSK
- 18 LIGHT AND OUTLET IN CEILING FOR FUTURE GARAGE DOOR OPENER.
- 19 BOX OUT AROUND DROPPED BEAM ABOVE
- 20 12" UNDER-CABINET FLUORESCENT LIGHTS.
- 21 FRAME WALLS AT BATHROOM TO CEILING
- 22 19" x 17" WALL HUNG SINK
- 23 CLEAR SPACE PER CODE
- 24 BLOCKING IN WALL FOR GRAB BARS - SEE BATH ELEVATIONS THIS SHEET

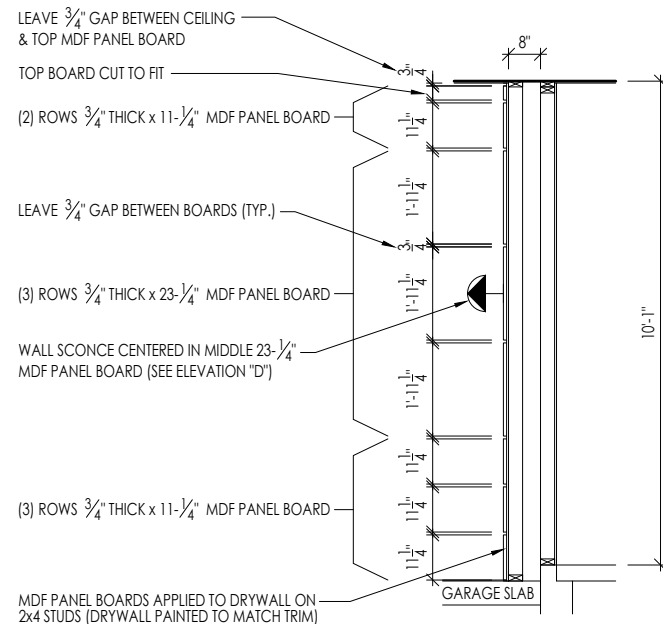


The Drees Company  
08/16/2022 12:08:09 PM



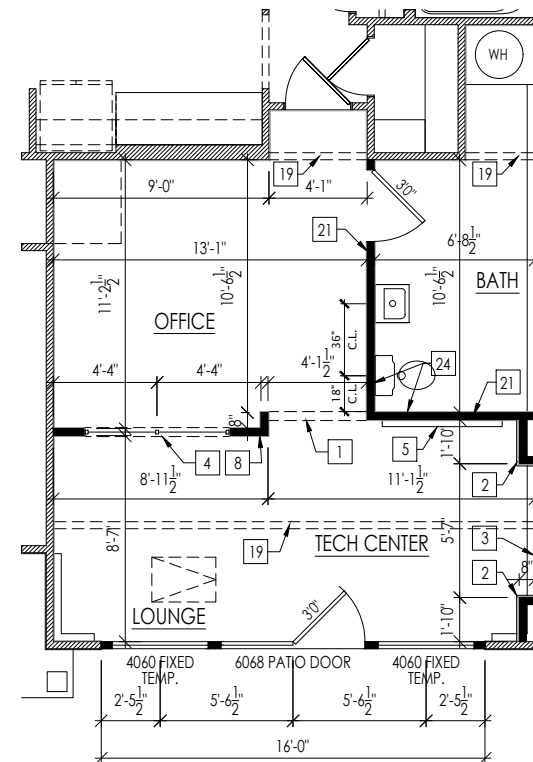
**BATH ELEVATIONS**

SCALE: 1/8" = 1'-0"



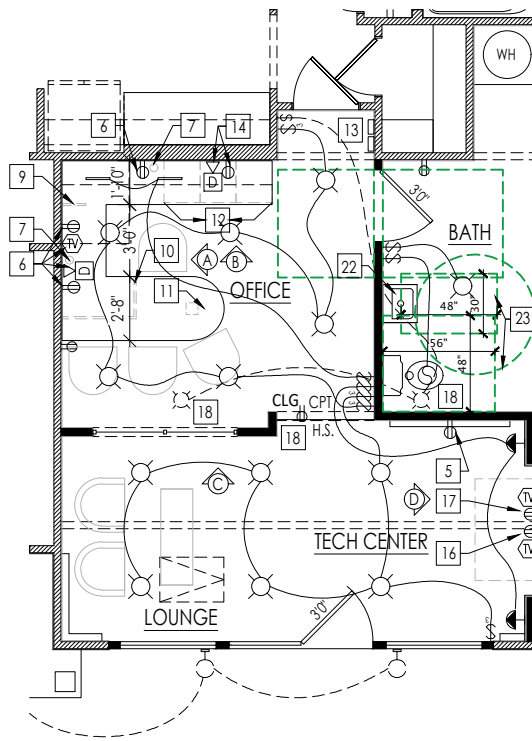
**WRAPPED PILASTER DETAIL**

SCALE: 1/4" = 1'-0"



**FRAMING PLAN**

SCALE: 1/8" = 1'-0"



**MECHANICAL PLAN**

SCALE: 1/8" = 1'-0"

INTERIOR SELECTIONS FOR CABINETRY, COUNTERTOPS, FLOORING, PAINT, WALLCOVERINGS, & FURNITURE PER STANDARD MODEL SELECTIONS. SEE MARKETING.



**FRONT ELEVATION**

SCALE: 1/8" = 1'-0"

**MECHANICAL LEGEND**

◀ PHONE JACK	○ CLG. MOUNTED LIGHT FIXT.	■ STAIR LIGHT
⊕ WALL OUTLET	○ SURFACE MOUNT DISC LIGHT OR RECESSED CEILING LIGHT, PER SPECS.	+ HOSE BIB
⊕ WEATHERPROOF GFCI OUTLET	○ WALL MOUNTED LIGHT FIXT.	△ SHOWER HEAD
⊕ 220 VOLT OUTLET	⊙ DOUBLE SPOTLIGHT FIXT.	⊕ GAS HOOK UP
⊕ GFCI OUTLET	⊙ DIRECTIONAL CAN LIGHT	⊕ FLOOR DRAIN
⊕ FLOOR OUTLET	⊙ PIN LIGHT	⊕ SMOKE DETECTOR
⊕ CABLE TELEVISION JACK	⊕ WALL SCOFFCE @ 5'-6" A.F.F.	⊕ CO DETECTOR
⊕ SINGLE POLE SWITCH	⊕ FLUORESCENT LIGHT	⊕ SMOKE DETECTOR/ CO DETECTOR COMBINATION
⊕ 3-WAY SWITCH	⊕ UNDER CABINET LIGHTING	⊕ EXHAUST FAN AND LIGHT COMBINATION
⊕ 4-WAY SWITCH	⊕ BLOCK, MOUNT, & SWITCH FOR FUTURE FAN/LIGHT COMBINATION (CENTER, UNLESS OTHERWISE NOTED)	○ CLG. MTD. EXHAUST FAN

**RESIDENCE FOR:  
MODEL HOME  
ADDRESS TBD  
SERENITY**

Job Number: STY5-0087-00    Drawing Date: 07/21/22    Coord Name: GREG P.    Coord Phone: 859-578-4355

House Name:    Contract Drawn By: CLM

Series: N/A

Plan No.: N/A

the MEADOW Drawing Scale: 1/8" = 1'-0"

Sheet Information **7.03**  
Model Sales Office  
Elevation "A"

Copyright © 2021, (2021) The Drees Company. All Rights Reserved.  
8521 SIX FORKS ROAD, SUITE 500, RALEIGH, NC 27615  
PHONE: (919) 844-9288

**CONNECTION SPECIFICATIONS (TYP. U.N.O.)**

NOTE: 10d NAIL = 3" x 0.131" GUN NAIL

JOIST TO SOLE PLATE	(3)10d TOENAILS
SOLE PLATE TO JOIST/BLK'G.	10d NAILS @ 6" O.C.
STUD TO SOLE PLATE	(3)10d TOENAILS
TOP OR SOLE PLATE TO STUD	(3)10d NAILS
RIM TO TOP PLATE	10d TOENAILS @ 6" O.C.
BLK'G. BTWN. JOISTS TO TOP PL.	(3)10d TOENAILS
RAFTER/TRUSSES TO TOP PLATE	(3)10d TOENAILS + (1) SIMPSON H2.5A
GAB. END TRUSS TO DBL. TOP PL.	10d TOENAILS @ 8" O.C.
R.T. w/ HEEL HT. 9 1/4" TO 12"	2x10 BLK EVERY 3RD BAY FASTENED TO DBL. TOP PLATE w/ 10d TOENAILS @ 6" O.C.
R.T. w/ HEEL HT. 12" TO 16"	2x10 BLK EVERY 3RD BAY FASTENED TO DBL. TOP PLATE w/ 10d TOENAILS @ 6" O.C.
R.T. w/ HEEL HT. UP TO 24"	LAP WALL SHTG. w/ DBL. TOP PL. # INSTALL ON TRUSS VERT. - FASTEN w/ 8d NAILS @ 6" O.C.
R.T. w/ HEEL HT. 24" TO 48"	LAP WALL SHTG. w/ DBL. TOP PL. # INSTALL ON TRUSS VERT. - FASTEN w/ 8d NAILS @ 6" O.C. PROVIDE 2x BLK @ EA. BAY AT TOP OF HEEL
DOUBLE STUD	10d NAILS @ 24" O.C.
DOUBLE TOP PLATE	10d NAILS @ 24" O.C.
DOUBLE TOP PLATE LAP SPLICE	(10)10d NAILS IN LAPPED AREA
TOP PLATE LAP @ CORNERS & INTERSECTING WALLS	(2)10d NAILS
WALL TO FOUNDATION	WALL SHTG. LAP w/ SILL PL. & FASTENED PER SHEAR WALL FASTENING SPEC.

<b>GARAGE SLAB</b> 4" CONC. SLAB w/ 6x6-WI.4xWI.4 W/IF ON 6 MIL VAPOR BARRIER ON 4" MIN. GRANULAR FILL ON 95% COMPACTED FILL/VIRGIN SOIL
<b>PORCH SLAB</b> 4" CONC. SLAB w/ 6x6-WI.4xWI.4 W/IF ON 95% COMPACTED FILL/VIRGIN SOIL
<b>BASEMENT SLAB</b> 4" CONC. SLAB ON 6 MIL VAPOR BARRIER ON 4" MIN. GRANULAR FILL ON 95% COMPACTED FILL/VIRGIN SOIL
<b>SLAB ON GRADE</b> 4" CONC. SLAB w/ 6x6-WI.4xWI.4 W/IF ON 6 MIL VAPOR BARRIER ON 4" MIN. GRANULAR FILL ON 95% COMPACTED FILL/VIRGIN SOIL

**VENEER LINTEL SCHEDULE**

SPAN (MAX)	HEIGHT OF VENEER ABOVE LINTEL	STEEL ANGLE SIZE
3'-0"	20 FT. MAX	L3"x3"x1/4"
6'-0"	3 FT. MAX	L3"x3"x1/4"
	12 FT. MAX	L4"x3"x1/4"
8'-0"	20 FT. MAX	L5"x3"x3/8"
	3 FT. MAX	L4"x4"x1/4" *
	12 FT. MAX	L5"x3"x3/8"
9'-6"	16 FT. MAX	L6"x3"x3/8"
	12 FT. MAX	L6"x3"x3/8"
16'-0"	2 FT. MAX	L7"x4"x1/2" **
	3 FT. MAX	L8"x4"x1/2" **

ALL LINTELS:  
 \* SHALL SUPPORT 2 3/4" - 3 1/2" VENEER w/ 40 psf MAXIMUM HEIGHT.  
 < 16" SHALL HAVE 4" MIN. BEARING  
 > 16" SHALL HAVE 8" MIN. BEARING  
 < 16" SHALL NOT BE FASTENED BACK TO HEADER  
 > 16" SHALL BE FASTENED BACK TO WOOD HEADER IN WALL @ 48" O.C. w/ 1/2" DIA. x 3 1/2" LONG LAG SCREWS IN 2" LONG VERTICALLY SLOTTED HOLES.  
 - MAX. VENEER HT. APPLIES TO ANY PORTION OF BRICK OVER THE OPENING.  
 - ALL LINTELS SHALL BE LONG LEG VERTICAL.  
 - WHEN SUPPORTING VENEER < 3" WIDE THE EXTERIOR TOE OF THE HORIZONTAL LEG MAY BE CUT IN THE FIELD TO BE 3/4" WIDE OVER THE BEARING LENGTH ONLY. THIS IS TO ALLOW FOR MORTAR JOINT FINISHING.  
 - SEE STRUCTURAL PLANS FOR ANY LINTEL CONDITION NOT ENCOMPASSED BY THE ABOVE PARAMETERS.  
 \*\* FOR QUEEN VENEER USE L4x3x1/2".  
 \*\*\* FOR 3 1/2" VENEER ONLY. SEE PLAN FOR VENEER SUPPORT IF VENEER < 3 1/2" THICK.  
 MKK STD. - MAY 2016

**LEGEND**

- ▬ INTERIOR BEARING WALL
- ▬ BEARING WALL ABOVE
- ▬ BEAM / HEADER
- ▬ EXTENT OF OVERFRAMING
- JL METAL HANGER
- ▬ INDICATES EXTENT OF INT. OSB SHEARWALL, BLOCKED PANEL EDGES, AND/OR 3" O.C. EDGE NAILING
- ▶ INDICATES HOLDDOWN
- \* INDICATES POST ABOVE (P.A.) PROVIDE SOLID BLOCKING UNDER POST OR JAMB ABOVE.

**ADDITIONAL NOTES FOR TRUSS & I-JOIST MANUFACTURER**

ROOF TRUSS, FLOOR TRUSS AND ENGINEERED JOISTS SHALL BE DESIGNED TO MEET THE DEFLECTION CRITERIA BELOW, UNLESS NOTED OTHERWISE ON PLAN. MULHERN & KULP CANNOT BE HELD RESPONSIBLE FOR ANY STRUCTURAL ISSUES RELATED TO ANY BUILDING COMPONENT IF COMPONENT SHOP DRAWINGS ARE NOT SUBMITTED TO MKK FOR REVIEW PRIOR TO FABRICATION, DELIVERY, OR INSTALLATION.

TRUSSES/JOISTS SHALL BE DESIGNED SO THAT DIFFERENTIAL DEFLECTION BETWEEN ADJACENT PARALLEL TRUSSES/JOISTS OR GIRDER TRUSSES/FLUSH BEAMS DO NOT EXCEED THE FOLLOWING:

A. ROOF TRUSSES:  
 1/4" DEAD LOAD  
 B. FLOOR TRUSSES, ATTIC TRUSSES, & I-JOISTS:  
 1/8" DEAD LOAD  
 ABSOLUTE DEAD LOAD DEFLECTION OF FLOOR TRUSSES/ATTIC TRUSSES WHEN ADJACENT TO FLOOR FRAMING BY OTHERS SHALL BE LIMITED TO 3/16". (NOT DIFFERENTIAL DEFLECTION)

**GENERAL STRUCTURAL NOTES**

**FOUNDATION**

- DESIGN IS BASED ON 2019 OHIO RESIDENTIAL CODE.
- FOOTING DESIGN - 1500 PSF NET ALLOWABLE SOIL BEARING PRESSURE IS ASSUMED. BUILDER/CONTRACTOR MUST VERIFY.
- FASTEN 2x6 SILL PLATES TO CONC FND WITH A MINIMUM OF 2 ANCHORS PER PLATE, 12" MAX. FROM PLATE ENDS - UTILIZING:
  - 1/2" DIA. ANCHOR BOLTS @ 6'-0" O.C., 1" MIN. EMBEDMENT
  - SIMPSON MAB STRAPS @ 32" O.C.
  - SIMPSON MASA ANCHOR STRAPS @ 6'-0" O.C.
- ALL LUMBER EXPOSED TO WEATHER OR IN CONTACT W/ PERIMETER FOUNDATION SHALL BE PRESERVATIVE TREATED SOUTHERN PINE #2.
- BUILDER TO VERIFY CORROSION-RESISTANCE COMPATIBILITY OF HARDWARE & FASTENERS IN CONTACT W/ PRESERVATIVE-TREATED WOOD. CONTACT LUMBER & HARDWARE SUPPLIERS TO COORD.
- FOUNDATION WALLS & FOOTINGS SHALL BE PLAIN CONCRETE, U.N.O.
- CONCRETE DESIGN BASED ON ACI 318. CONCRETE SHALL ATTAIN THE FOLLOWING MIN. COMPRESSIVE STRENGTHS IN 28 DAYS, U.N.O.:
  - f'c = 4,000 psi: ..... FOUNDATION WALLS
  - 3,000 psi: ..... FOOTINGS & INTERIOR SLABS ON GRADE
  - 3,500 psi: ..... GARAGE & EXTERIOR SLABS ON GRADE
  - f'y = 60,000 psi
- BASEMENT FOUNDATION WALL DESIGN BASED ON:
  - 8' OR 9' HEIGHT (AS NOTED ON PLANS)
  - TALLER WALLS MUST BE ENGINEERED.
  - NOMINAL WIDTH (8" FOR 8" WALL, 10" FOR 10" WALL).
- BASEMENT WALL DESIGN IS BASED ON 30 OR 45 PCF BACKFILL SOIL TYPE CLASSIFICATIONS.
  - 30 PCF TYPE (GN, GP, SN, SP)
  - 45 PCF TYPE (GM, GC, SM, SM-SC, ML)
  - IMPORTANT - IF 60 PCF SOIL TYPE (SC, ML-GI, OR GI) IS UTILIZED FOR BACKFILL, CONTACT MULHERN & KULP FOR FURTHER EVALUATION OF FOUNDATION DESIGN.
- BASEMENT WALLS SHALL BE BRACED, PRIOR TO BACKFILLING, BY ADEQUATE TEMPORARY BRACING OR INSTALL 1st FLOOR DECK.
- PROVIDE (2) #5 BARS AROUND ALL SIDES OF OPENINGS IN CONCRETE BSMT. FND. WALL WITH 2" CLEAR. REINFORCEMENT SHALL EXTEND 12" PAST CORNER OF OPENING IN ALL DIRECTIONS.
  - FOR OPENINGS UP TO 36", PROVIDE MINIMUM 10" CONCRETE DEPTH OVER OPENING OR (3)2x10 W/2x6 JACK STUDS, U.N.O.
  - LARGER OPENINGS SHALL BE PER PLAN.
- ALL CONCRETE EXPOSED TO THE WEATHER SHALL NOT HAVE LESS THAN 5% OR MORE THAN 1% AIR ENTRAINMENT.
- ALL FOOTINGS SHALL BEAR BELOW FROST LINE (TYP.) OR 12" MIN IN REGIONS WHERE CODE FROST DEPTH IS NOT APPLICABLE. CONSULT SOILS REPORT OR BUILDING DEPT. FOR MINIMUM DEPTH BELOW GRADE.
- FOOTINGS AND SLABS ON GRADE SHALL BEAR ON VIRGIN SOIL OR 95% COMPACTED FILL.
- PROVIDE CONTROL JOINTS AT ALL INSIDE CORNERS OF SLAB EDGES, AND OTHER LOCATIONS WHERE SLAB CRACKS ARE LIKELY TO DEVELOP.
  - JOINTS SHALL BE LOCATED @ 10'-0" O.C. (RECOMMENDED) OR 15'-0" O.C. (MAXIMUM)
  - JOINT GRID PATTERN SHALL BE AS CLOSE TO SQUARES AS POSSIBLE (1:1 RATIO), WITH A MAXIMUM OF 1:1.5 RATIO
  - CONTROL JOINTS SHALL NOT BE INSTALLED IN STRUCTURAL SLABS
- TYPICAL REINFORCEMENT DETAILS: PROVIDE 3" MIN. CLEAR COVER WHERE CAST AGAINST EARTH, 1 1/2" MIN. CLEAR COVER AGAINST FORMS. LAP ALL REBAR 48 BAR DIAMETERS MIN. (24" FOR #4 BARS) & BEND BARS AND LAP AT CORNERS. PROVIDE 6" HOOK INTO SUPPORTING FOOTINGS WHEN FOOTINGS INTERSECT.
- DIMENSIONS BY OTHERS, BUILDER TO VERIFY.

MKK STD. - MAY 2012

**LATERAL/WALL BRACING & WALL SHEATHING SPECIFICATIONS**

THIS MODEL HAS BEEN DESIGNED TO RESIST LATERAL FORCES RESULTING FROM:  
120 MPH WIND IN 2018 NCSBC  
 (120 MPH WIND SPEED IN ASCE 7-10 WIND MAP, PER IRC R301.2.1.1) EXP. B & SEISMIC CAT. A/B.

**EXT. WALL SHEATHING SPECIFICATION**

- 7/16" OSB OR 15/32" PLYWOOD:
  - FASTEN SHEATHING w/ 2 3/8"x0.113" NAILS @ 6" O.C. AT EDGES & @ 12" O.C. IN THE PANEL FIELD. (TYP. U.N.O.)
- ALL SHEATHING PANELS SHALL BE ORIENTED VERTICALLY (LONG DIRECTION PARALLEL TO STUDS) AND INSTALLED FULL HEIGHT OF SHEAR WALL - OR - 2x HORIZONTAL BLOCKING SHALL BE PROVIDED TO SUPPORT ALL UNSUPPORTED PANEL EDGES & EDGE FASTENING.
- ALL EXT. WALLS SHALL BE CONTINUOUSLY SHEATHED AND ARE CONSIDERED SHEAR WALLS.
- ALT. STAPLE CONNECTION SPEC: 1 3/4" 16 GA STAPLES (1/8" GROWN) @ 3" O.C. AT EDGES & @ 6" O.C. IN FIELD.

**3" O.C. EDGE NAILING**

- AT DESIGNATED AREAS - FASTEN PANEL EDGES OF WOOD STRUCTURAL WALL SHEATHING TO FRAMING w/ 2 3/8" x 0.113" NAILS @ 3" O.C. AND 12" O.C. IN THE PANEL FIELD. NO STAPLE ALTERNATIVE AVAILABLE AT THIS SPEC. ALL SHEATHING PANELS SHALL BE ORIENTED VERTICALLY (LONG DIRECTION PARALLEL TO STUD) AND INSTALLED FULL HEIGHT OF SHEAR WALL - OR - 2x HORIZONTAL BLOCKING SHALL BE PROVIDED TO SUPPORT UNSUPPORTED PANEL EDGES AND 3" O.C. EDGE FASTENING.

**NOTES**

- SEE CONNECTION SPECIFICATIONS CHART FOR STANDARD SHEAR TRANSFER DETAILING. IF ADDITIONAL CAPACITY IS REQUIRED BY DESIGN, IT WILL BE SPECIFICALLY NOTED ON PLAN.
- DESIGN ASSUMES 16" O.C. MAX. STUD SPACING, U.N.O.
- ALL STRUCTURAL PANELS ARE TO BE DIRECTLY APPLIED TO STUD FRAMING.
- PRE-MANUFACTURED PANELIZED WALLS: FASTEN TOGETHER END STUDS OF WALL PANELS SHEATHED w/ OSB OR PLYWOOD w/ 10d NAILS @ 4" O.C. (THRU ONE SIDE ONLY)

▬ INDICATES EXTENT OF INT. OSB SHEARWALL, BLOCKED PANEL EDGES, AND/OR 3" O.C. EDGE NAILING

▶ INDICATES HOLDDOWN

\* INDICATES POST ABOVE (P.A.) PROVIDE SOLID BLOCKING UNDER POST OR JAMB ABOVE.

MKK STD. - SEPT. 2018

**GENERAL STRUCTURAL NOTES**

**FLOOR FRAMING**

- I-JOISTS/TRUSSES SHALL BE DESIGNED BY MANUF. TO MEET OR EXCEED L/480 LIVE LOAD DEFLECTION CRITERIA. (EXCLUDES STONE/MARBLE OR WET BED CONSTRUCTED FLOORS - CONTACT MKK FOR EXCLUDED FLOOR DESIGNS)
- PER THE GUIDELINES OF THE TILE COUNCIL OF NORTH AMERICA (TCNA HANDBOOK), IT SHALL BE THE FLOOR FINISH INSTALLER'S RESPONSIBILITY TO VERIFY THAT THE FINISHES TO BE INSTALLED MATCH THE DESIGN CRITERIA NOTED ABOVE (UNDER "DESIGN LOADS").
- AT I-JOIST FLOORS, PROVIDE 1 1/8" MIN. OSB RIM BOARD.
- METAL HANGERS SHALL BE SPECIFIED BY MANUFACTURER, U.N.O.
- I-JOIST/TRUSS SHOP DWGS. SHALL BE SUBMITTED TO ARCH. & ENG. FOR REVIEW AND APPROVAL PRIOR TO FABRICATION OR DELIVERY.
- FLOOR SHEATHING SHALL BE 23/32" A.P.A. RATED 'STURD-I-FLOOR' 24" O.C. EXPOSURE 1 (OR APPROVED EQUAL) WITH TONGUE AND GROOVE EDGES. FASTEN TO FRAMING MEMBERS W/ GLUE AND - 2 1/2" x 0.131" NAILS @ 6" O.C. @ PANEL EDGES & @ 12" O.C. FIELD. - 2 3/8" x 0.120" NAILS @ 4" O.C. @ PANEL EDGES & @ 8" O.C. FIELD. - 2 3/8" x 0.113" NAILS @ 3" O.C. @ PANEL EDGES & @ 6" O.C. IN FIELD.

**ROOF FRAMING**

- ROOF SHEATHING SHALL BE 7/16" A.P.A. RATED SHEATHING 24/16 EXPOSURE 1 (OR APPROVED EQUAL). FASTEN TO FRAMING MEMBERS - w/ 2 1/2" x 0.131" NAILS @ 6" O.C. @ PANEL EDGES & @ 12" O.C. FIELD. - w/ 2 3/8" x 0.120" NAILS @ 4" O.C. @ PANEL EDGES & @ 8" O.C. FIELD. - w/ 2 3/8" x 0.113" NAILS @ 3" O.C. @ PANEL EDGES & @ 6" O.C. FIELD.
- WITHIN 48" OF ALL ROOF EDGES, RIDGES, & HIPPS FASTEN ROOF SHEATHING FIELDS PER EDGE NAILING SPEC.
- FASTEN EACH ROOF TRUSS TO TOP PLATE W/ SIMPSON H2.5A CLIP (OR APPROVED EQUAL) @ ALL BEARING POINTS. PROVIDE (2) H2.5A CLIPS AT 2-PLY GIRDER TRUSSES, (3) H2.5A CLIPS AT 3-PLY GIRDER TRUSSES & ROOF BEAMS - AT ALL BEARING POINTS.
- METAL HANGERS SHALL BE SPECIFIED BY THE MANUFACTURER, U.N.O.
- ROOF TRUSS SHOP DWGS. SHALL BE SUBMITTED TO ARCH & ENG. FOR REVIEW AND APPROVAL PRIOR TO FABRICATION OR DELIVERY.
- ERECT AND INSTALL ROOF TRUSSES PER WTCA & TPIS BCSI 1 "GUIDE TO GOOD PRACTICE FOR HANDLING, INSTALLING & BRACING OF METAL PLATE CONNECTED WOOD TRUSSES."
- SUPPORT SHORT SPAN ROOF TRUSSES w/ 2x4 LEDGER FASTENED TO FRAMING w/ (2) 3" x 0.120" NAILS @ 16" O.C. (UP TO 1' SPAN).

MKK STD. - MAR 2016

**MULHERN+KULP**  
 RESIDENTIAL STRUCTURAL ENGINEERING

300 Brookside Ave, Building 4 • Ambler, PA 19002  
 p 215-648-8001 • mulhernkulp.com

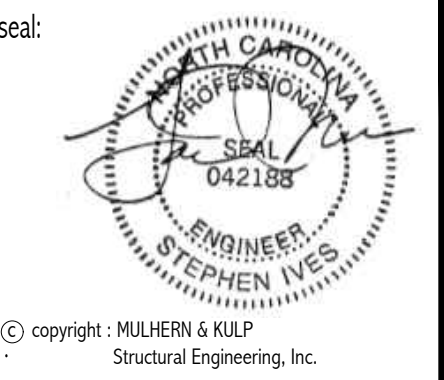
**GENERAL STRUCTURAL NOTES**

- DESIGN IS BASED ON 2018 NORTH CAROLINA RESIDENTIAL CODE.
- WOOD FRAME ENGINEERING IS BASED ON NDS, "NATIONAL DESIGN SPECIFICATION FOR WOOD CONSTRUCTION" - LATEST EDITION.
- DESIGN LOADS:
 

ROOF	LIVE = 20 PSF (18 PSF REDUCED) DEAD = 7 PSF T.C., 10 PSF B.C. LOAD DURATION FACTOR = 1.15
FLOOR	LIVE = 40 PSF (30 PSF @ SLEEPING AREAS) DEAD = 10 PSF (I-JOISTS & SOLID SAWN) ADD'L 10 PSF @ CERAMIC TILE IN KITCHEN, BATHS, SUNROOM, & LAUND.
SOIL	1500 PSF ASSUMED ALLOWABLE BEARING PRESSURE (TO BE VERIFIED BY BUILDER)

**GENERAL FRAMING**

- ALL TYP. NAIL FASTENER REQUIREMENTS ARE NOTED IN STANDARD CONNECTIONS TABLE (IRC TABLE R602.3.1) OR ON PLANS. ALL NAILS SPECIFIED ARE MIN DIAMETER AND LENGTH REQUIRED FOR CONNECTION. ALL HANGER NAILS SHALL BE INSTALLED PER MANUFACTURER'S REQUIREMENTS FOR MAX CHARTED CAPACITY. NOTE: HANGERS USE COMMON NAIL DIAMETERS NOT TYPICAL FRAMING GUN NAILS.
- EXT. & INT. BEARING WALLS SHALL BE 2x4 OR 2x6 (AS SHOWN ON PLANS) @ 16" O.C. SFF "STUD" GRADE LUMBER, OR BETTER, U.N.O.
  - WALLS OVER 10' TALL SHALL BE PER PLAN.
- ALL INTERIOR BEARING WALLS ARE ASSUMED TO BE SHEATHED W/ GYP WALL BOARD (ONE SIDE MIN) OR PROVIDE MID HT. BLOCKING.
- ALL 2x8, 2x10, & 2x12 HEADERS, BEAMS & OTHER STRUCTURAL MEMBERS SHALL BE 5.Y.P. #2 LUMBER, OR BETTER.
- ALL 2x6 HEADERS, BEAMS & OTHER STRUCTURAL MEMBERS SHALL BE SFF "STUD" GRADE LUMBER, OR BETTER.
- SUPPORT ALL HEADERS/ BEAMS W/ (1)2x JACK STUD & (1)2x KING STUD, MINIMUM.
  - THE NUMBER OF STUDS SPECIFIED AT A SUPPORT INDICATES THE NUMBER OF JACK STUDS REQUIRED, U.N.O..
- ALL NON-BEARING INTERIOR STUD WALLS SHALL BE CONSTRUCTED WITH 2x "STUD" GRADE MEMBERS SPACED @ 24" O.C. (MAX, U.N.O.)
  - HEADERS IN NON-LOAD BEARING WALLS SHALL BE: (1)2x4/6 FLAT @ OPENINGS UP TO 4'; (2)2x4/6 FLAT UP TO 8'.
- ALL FRAMING LUMBER SHALL BE DRIED TO 15% MC (KD-15).
- ENGINEERED LUMBER BEAMS TO MEET OR EXCEED THE FOLLOWING:
  - LVL - Fb=2325 psi; Fv=310 psi; E=1.55x10<sup>6</sup> psi
  - LVL - Fb=2600 psi; Fv=285 psi; E=2.0x10<sup>6</sup> psi
- ENGINEERED LUMBER POSTS TO MEET OR EXCEED THE FOLLOWING:
  - LVL - Fb=2400 psi; Fc=12500 psi; E=1.8x10<sup>6</sup> psi
- FOR 2 & 3 PLY BEAMS OF EQUAL 1 3/4" MAX. WIDTH, FASTEN PLIES TOGETHER WITH 3 ROWS OF 3"x0.120" NAILS @ 8" O.C. OR 2 ROWS 1/4"x3/8" SIMPSON SDS SCREWS (OR 3/8" TRUSSLOK SCREWS) @ 16" O.C. USE A MINIMUM OF 4 ROWS FOR BEAM DEPTHS OF 14" OR GREATER. APPLY FASTENING AT BOTH FACES FOR 3-PLY CONDITION. LOCATE TOP & BOTTOM NAILS/SCREWS 2" FROM EDGE. SOLID 3 1/2" OR 5 1/2" BEAMS ARE ACCEPTABLE. USE 2 ROWS OF NAILS FOR 2x6 & 2x8 MEMBERS.
- FOR 4 PLY BEAMS OF EQUAL 1 3/4" MAX. WIDTH, FASTEN PLIES TOGETHER WITH 3 ROWS OF 1/4"x6" SIMPSON SDS SCREWS (OR 6 3/4" TRUSSLOK SCREWS) @ 16" O.C. USE A MINIMUM OF 4 ROWS FOR BEAM DEPTHS OF 14" OR GREATER. APPLY FASTENING AT BOTH FACES (ONE SIDE ONLY FOR TRUSSLOK SCREWS). LOCATE TOP AND BOTTOM SCREWS 2" FROM EDGE. A SOLID 1" BEAM IS ACCEPTABLE.
- PROVIDE SOLID BLOCKING IN FLOOR SYSTEM UNDER ALL POSTS CONTINUOUS TO FND/BEARING. BLOCKING TO MATCH POST ABOVE.
- FASTEN 2x WOOD PLATES TO TOP FLANGE OF STEEL BEAMS WITH P.A.F.'s (HILTI) XU PINS OR EQUAL) @ 16" O.C. STAGGERED, OR 1/2" DIA. BOLTS @ 48" O.C. STAGGERED.
- STEEL PIPE COLUMN "ASD CAPACITIES" SHALL MEET OR EXCEED THE LOADS PROVIDED AT EACH STEEL PIPE COLUMN LOCATION ON PLAN. COLUMNS ARE TO BE INSTALLED PER THE MANUFACTURER'S REQUIREMENT THAT ACHIEVES THE RATED CAPACITY USED, INCLUDING BUT NOT LIMITED TO POSITIVE CONNECTIONS AT THE TOP AND BOTTOM OF THE COLUMN. TWO COLUMNS MAY BE USED UNDER CONTINUOUS BEAMS TO ACHIEVE THE FULL PLAN SPECIFIED REQUIRED CAPACITY IF INSTALLED CENTERED ON THE EXISTING FOOTING/ PLAN SPECIFIED SINGLE COLUMN LOCATION.



DREES HOMES

Mulhern+Kulp project number:

project mgr: BSM  
 drawn by: CNV  
 issue date: 08-02-22

REVISIONS:

date: initial:

**MULHERN+KULP**  
 RESIDENTIAL STRUCTURAL ENGINEERING

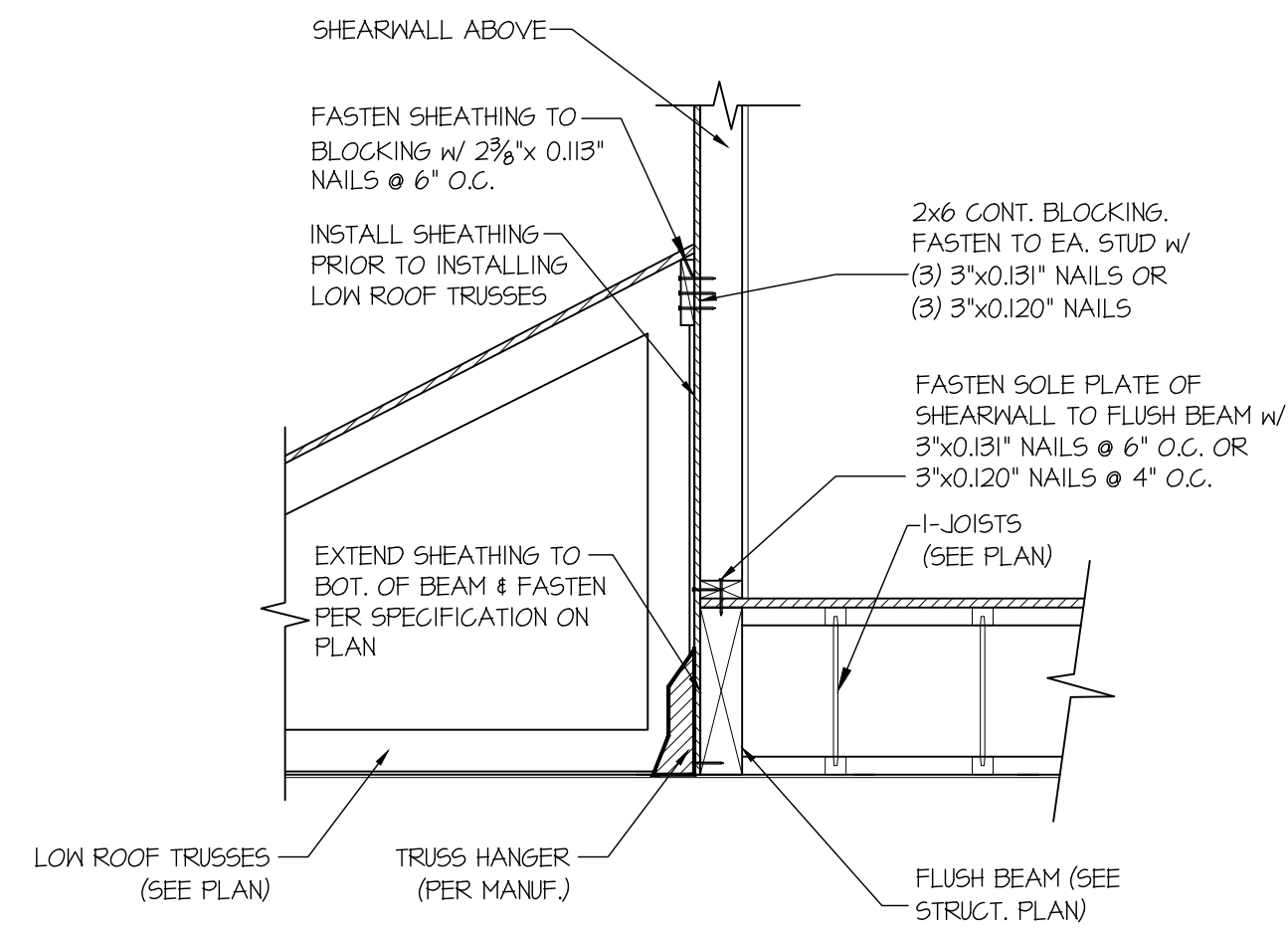
300 Brookside Ave, Building 4 • Ambler, PA 19002  
 p 215-648-8001 • mulhernkulp.com

STRUCTURAL NOTES

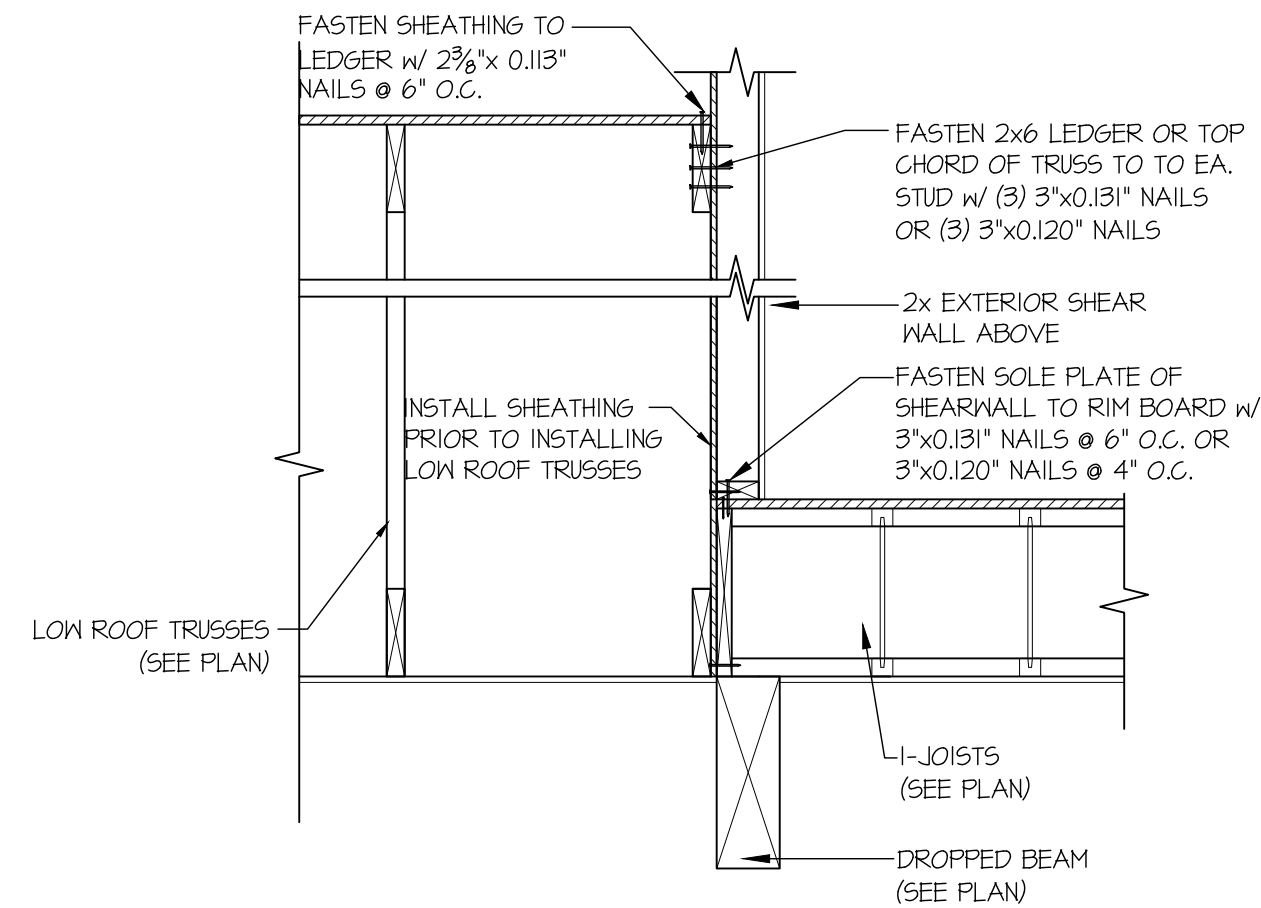
MEADOW MODEL

STY5-0087

RHL



**56** SHEAR TRANSFER DETAIL @ EXTERIOR SHEARWALL ABOVE  
SCALE: 3/4"=1'-0"



**72** TYPICAL SHEAR TRANSFER DETAIL BETWEEN FLOORS @ INTERIOR WALL  
SCALE: 3/4"=1'-0"

seal:  
  
 © copyright : MULHERN & KULP  
 Structural Engineering, Inc.

DREES HOMES

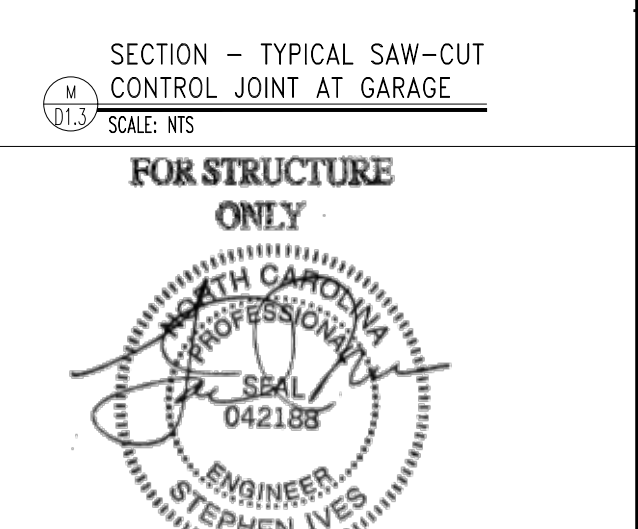
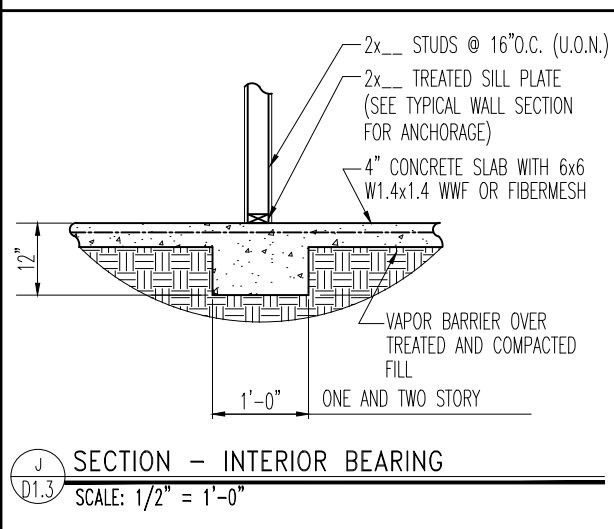
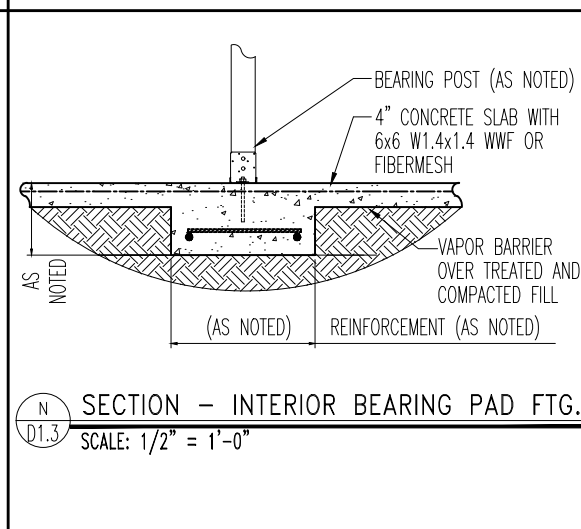
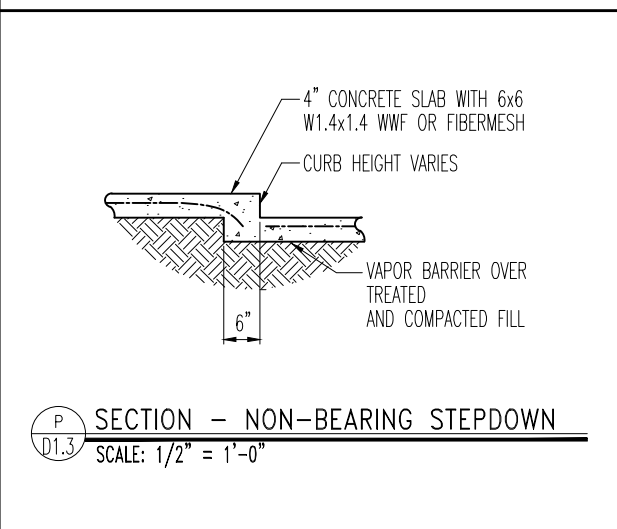
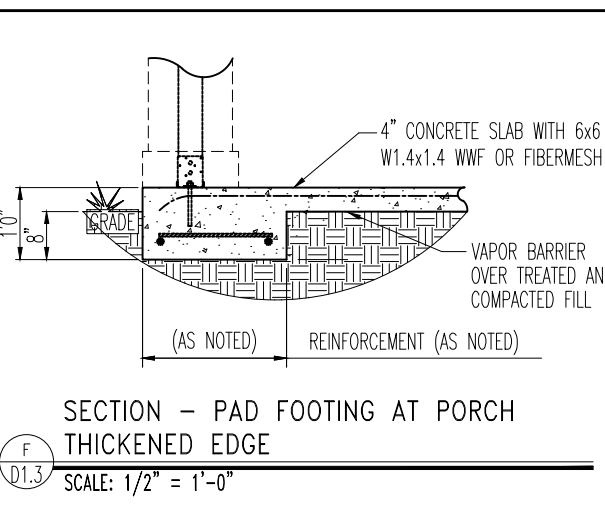
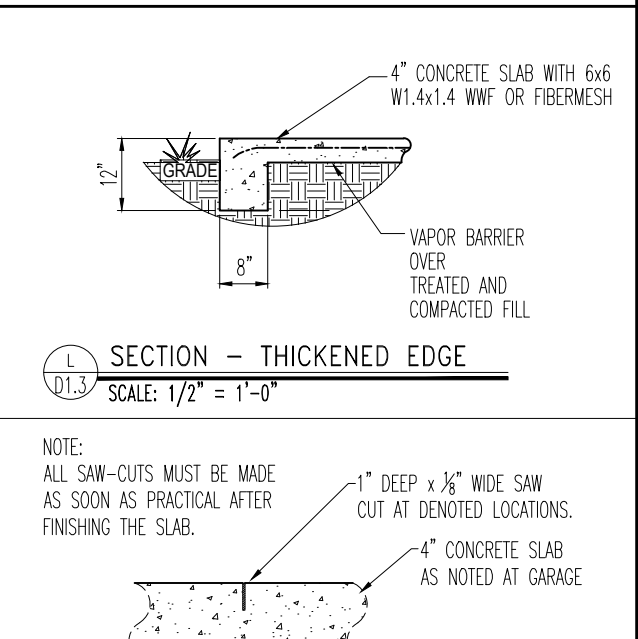
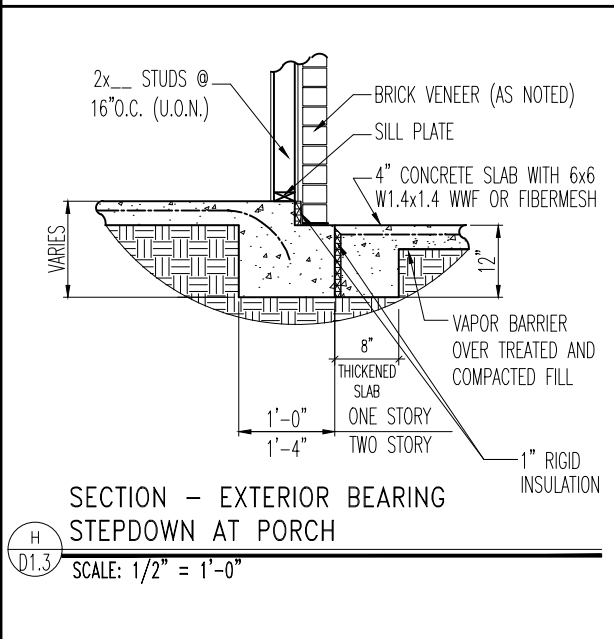
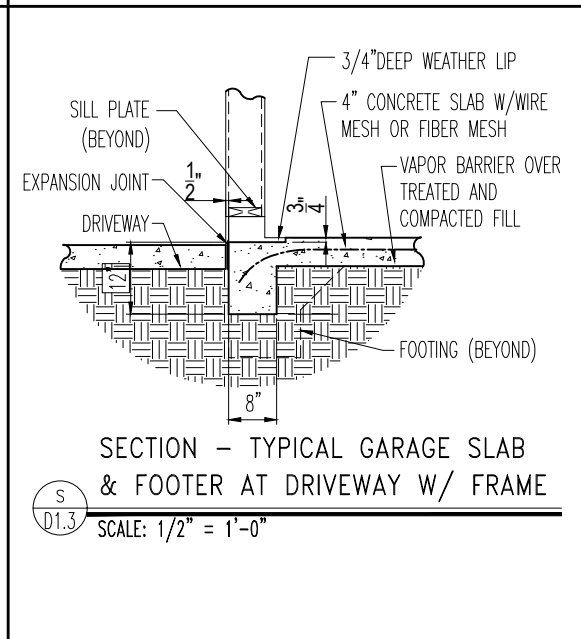
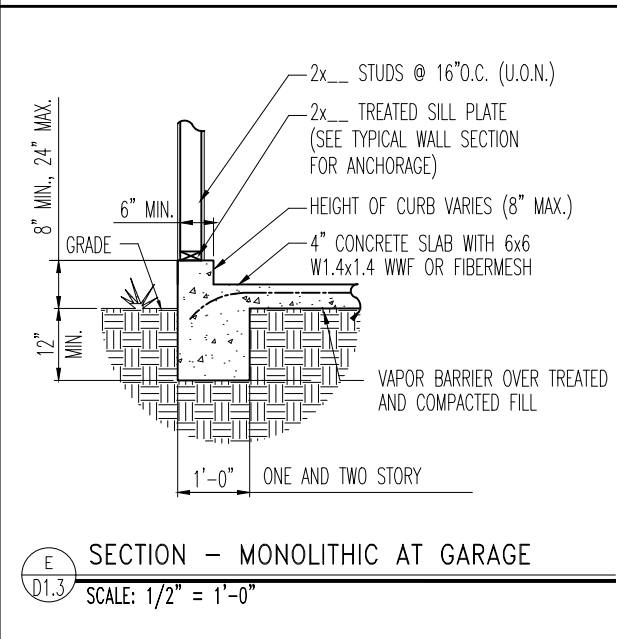
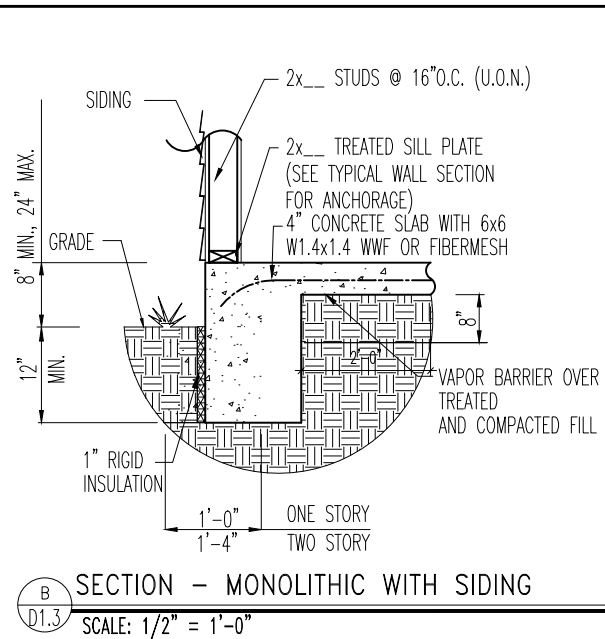
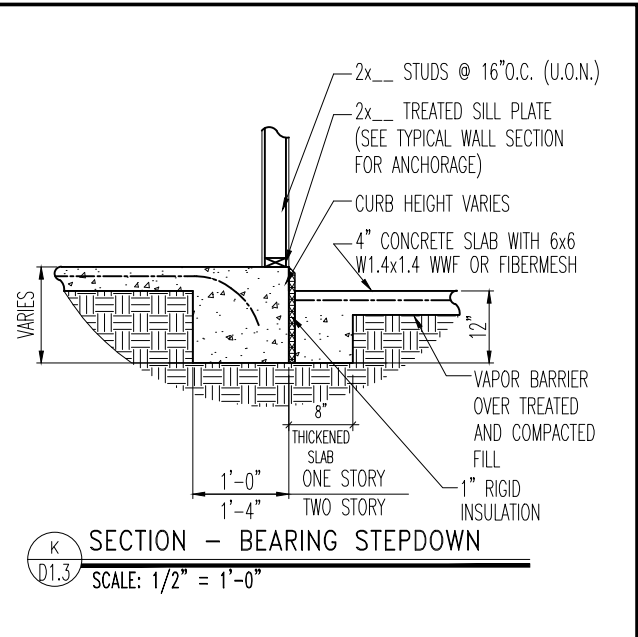
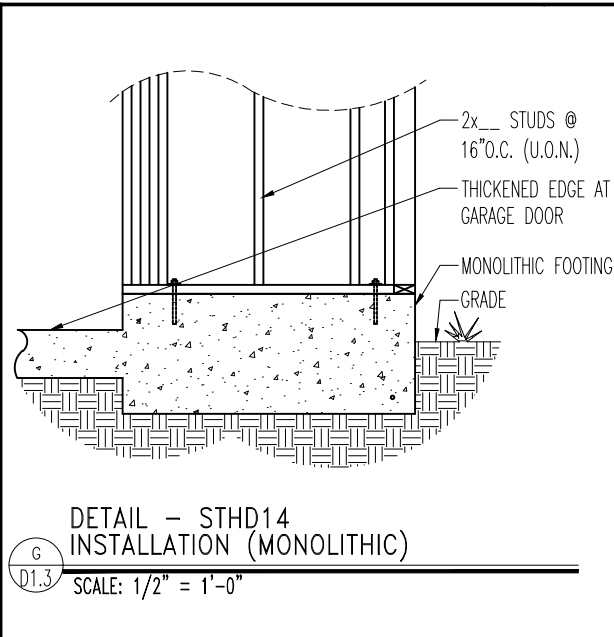
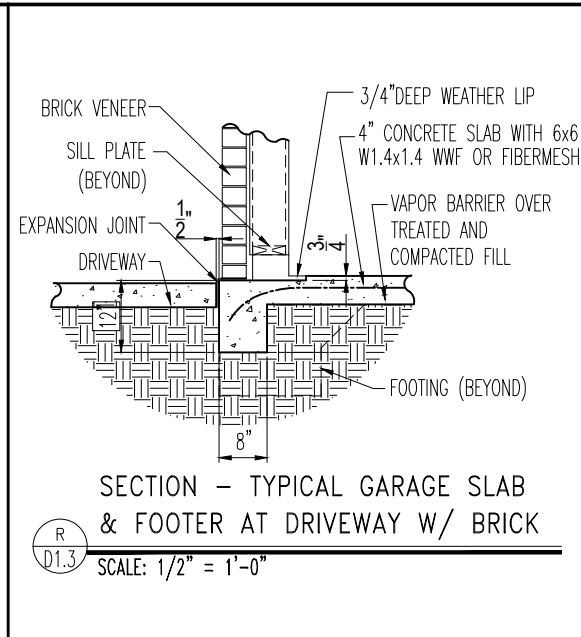
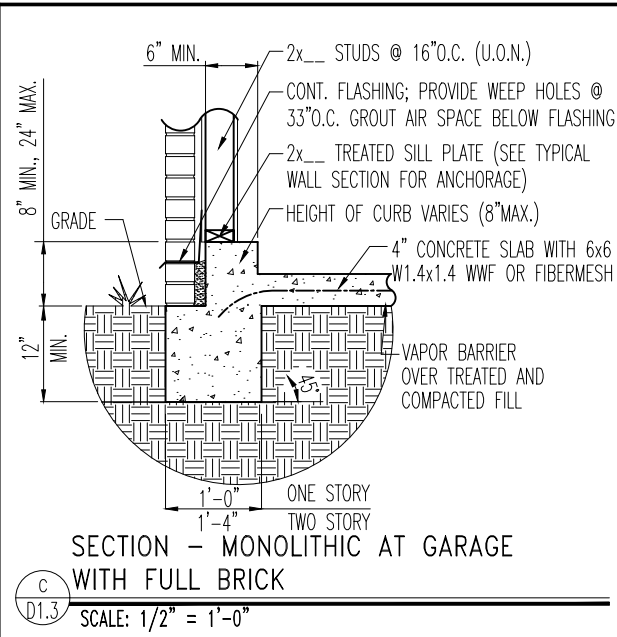
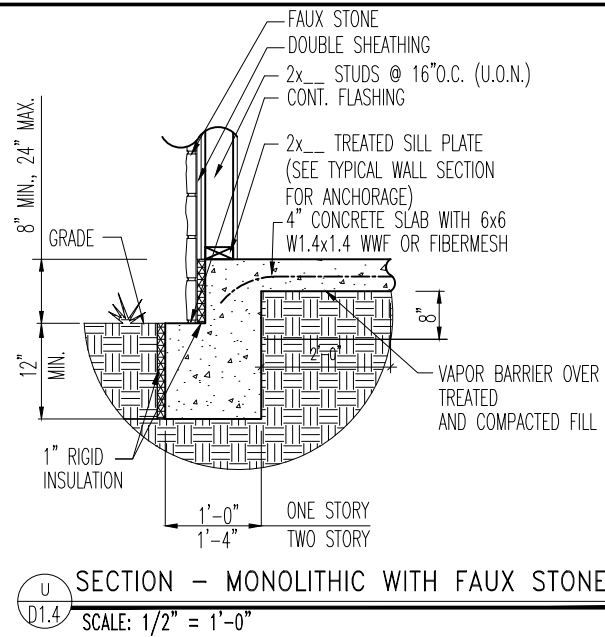
Mulhern+Kulp project number:  
 project mgr: BSM  
 drawn by: CNV  
 issue date: 08-02-22

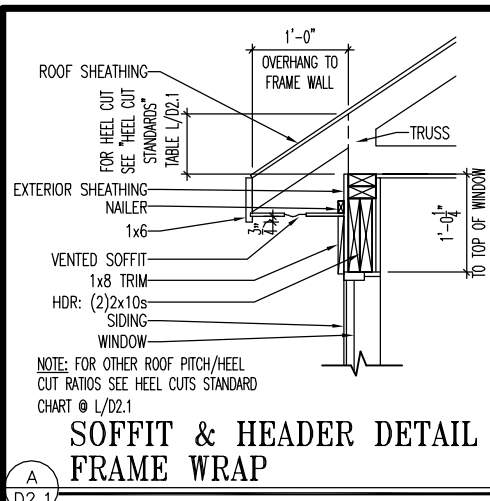
REVISIONS:  
 date: initial:

**MULHERN+KULP**  
 RESIDENTIAL STRUCTURAL ENGINEERING  
 3025 Brookside Parkway, Suite 105 - Alpharetta, GA 30022  
 P 770-771-0801 • mulhern+kulp.com

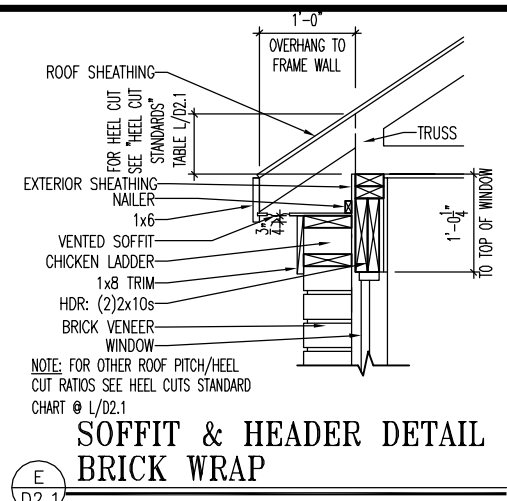
LATERAL DETAILS  
 MEADOW MODEL  
 STY5-0087  
 RHL

sheet:  
**SD-2**

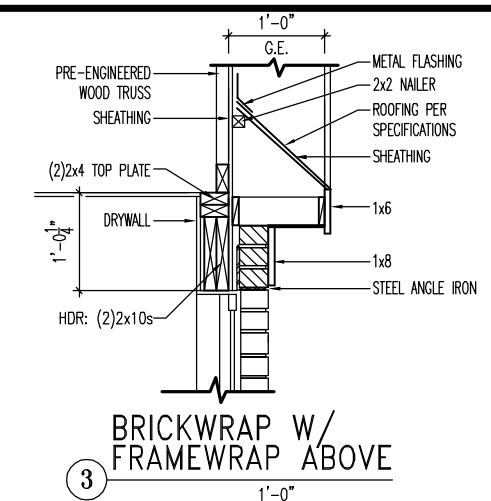




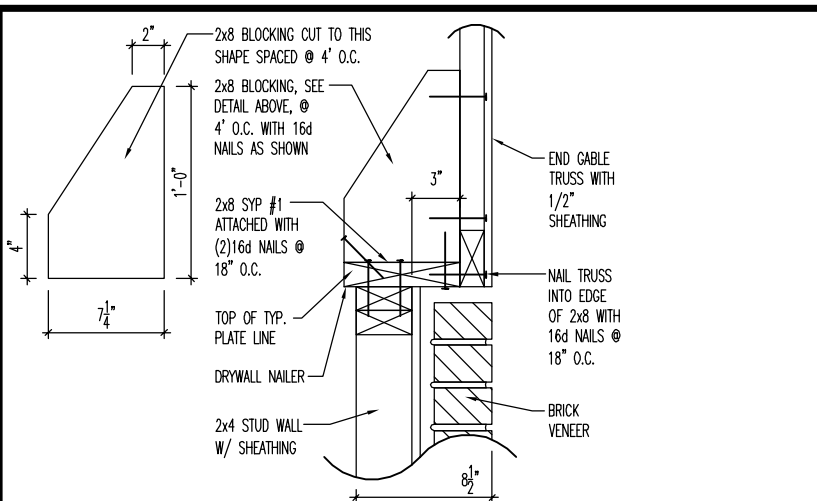
**A**  
D2.1  
**SOFFIT & HEADER DETAIL FRAME WRAP**  
SCALE: 1/2" = 1'-0"



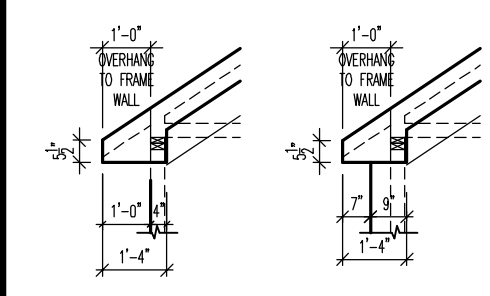
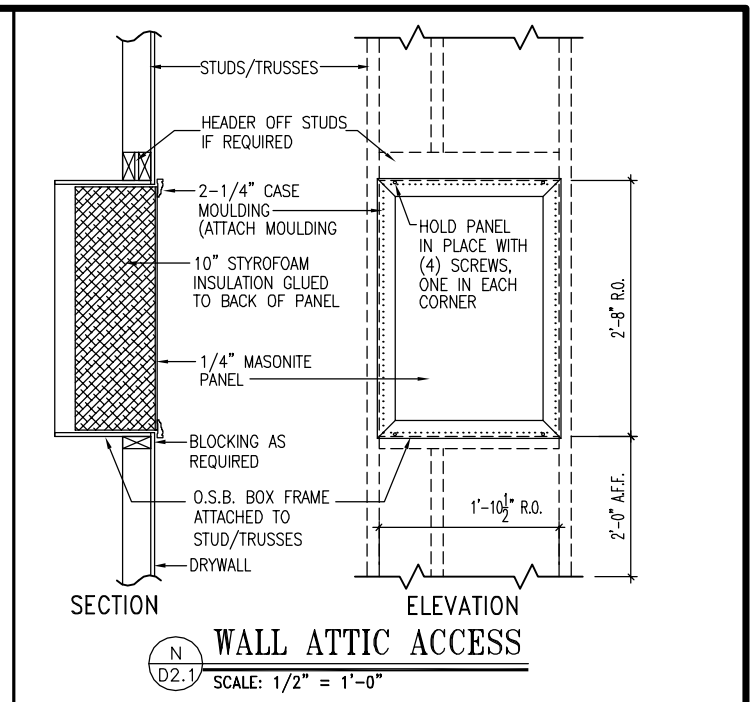
**E**  
D2.1  
**SOFFIT & HEADER DETAIL BRICK WRAP**  
SCALE: 1/2" = 1'-0"



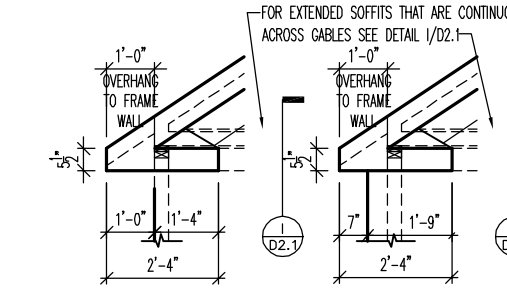
**3**  
**BRICKWRAP W/ FRAMEWRAP ABOVE**



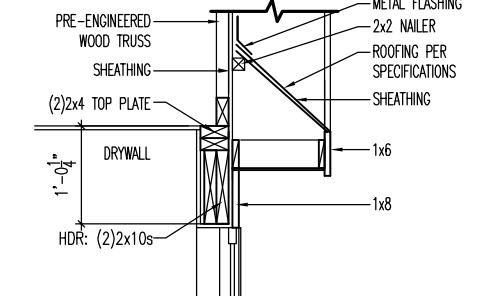
**K**  
D2.1  
**CANTILEVERED TRUSS DETAIL**  
SCALE: 1" = 1'-0"



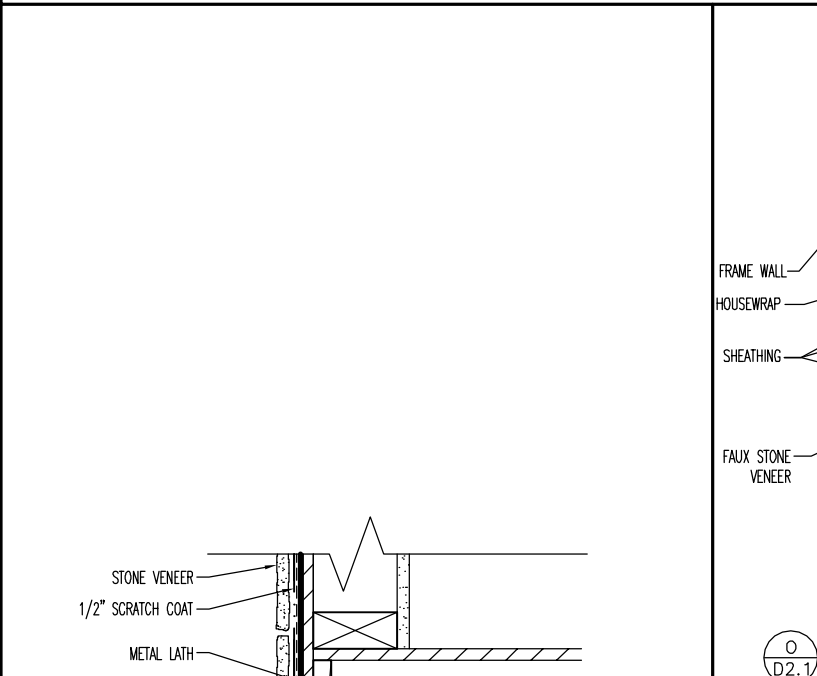
**B**  
D2.1  
**OVERHANG SOFFIT DETAILS**



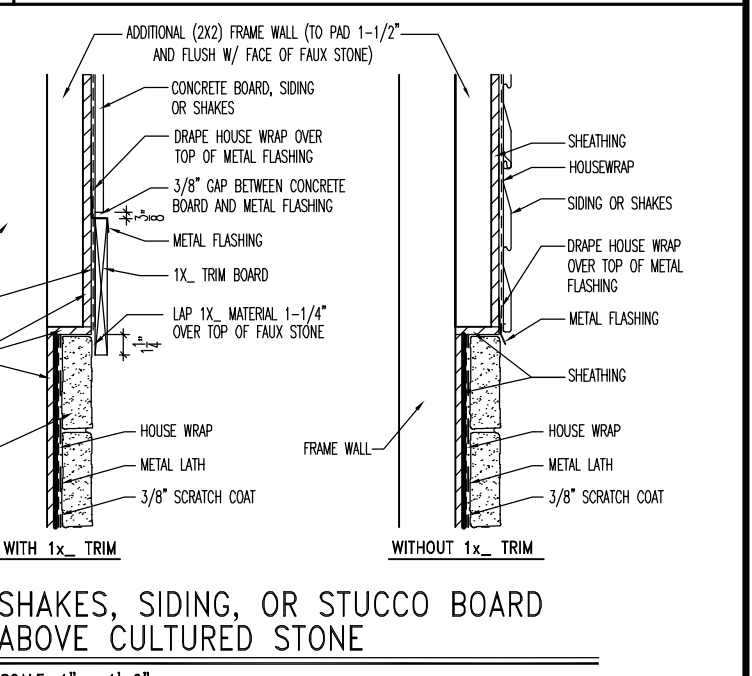
**F**  
D2.1  
**EXTENDED SOFFIT DETAILS**



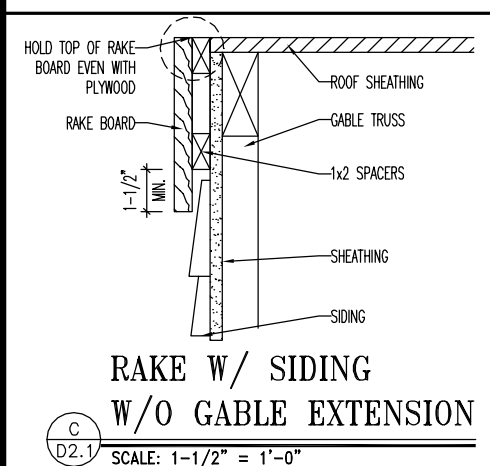
**2**  
**FRAME WRAP**



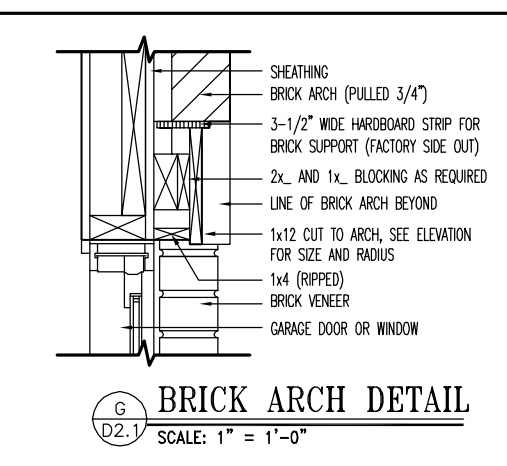
**G**  
D2.1  
**BRICK ARCH DETAIL**  
SCALE: 1" = 1'-0"



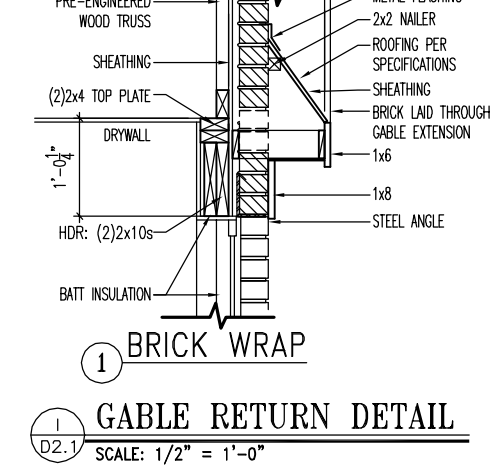
**O**  
D2.1  
**SHAKES, SIDING, OR STUCCO BOARD ABOVE CULTURED STONE**



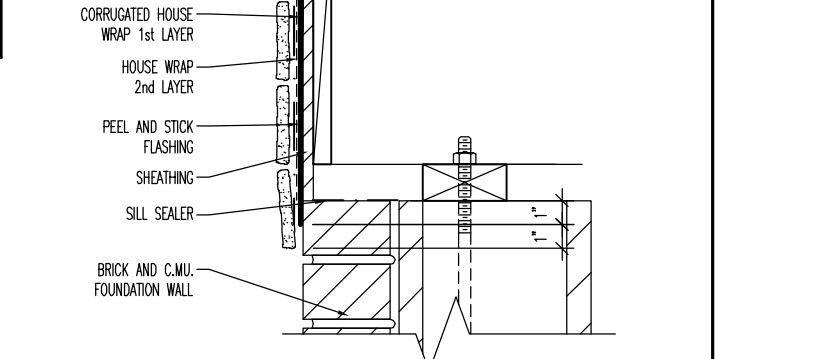
**C**  
D2.1  
**RAKE W/ SIDING W/O GABLE EXTENSION**



**G**  
D2.1  
**BRICK ARCH DETAIL**  
SCALE: 1" = 1'-0"



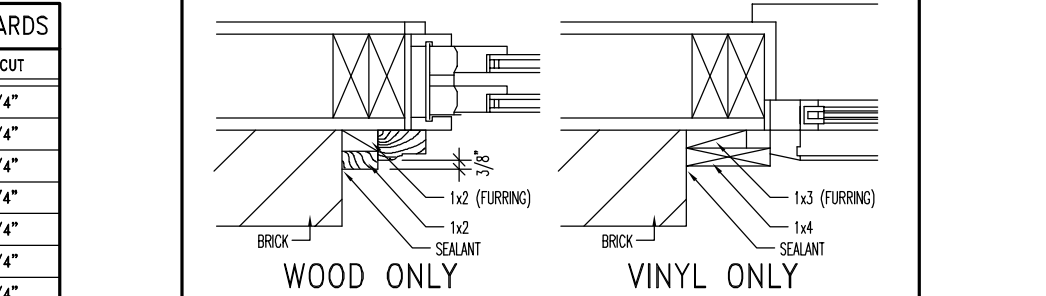
**1**  
D2.1  
**GABLE RETURN DETAIL**  
SCALE: 1/2" = 1'-0"



**M**  
D2.1  
**FAUX STONE VENEER FLASHING DETAIL**

HEEL CUT STANDARDS	
ROOF PITCH	HEEL CUT
4/12	3-3/4"
5/12	4-3/4"
6/12	5-3/4"
7/12	6-3/4"
8/12	7-3/4"
9/12	8-3/4"
10/12	9-3/4"
12/12	11-3/4"
14/12	1'1-3/4"

**L**  
D2.1



**H**  
D2.1  
**WINDOW TRIM DETAILS**

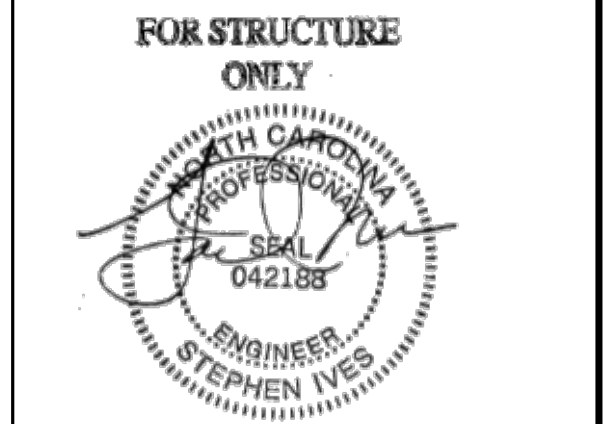


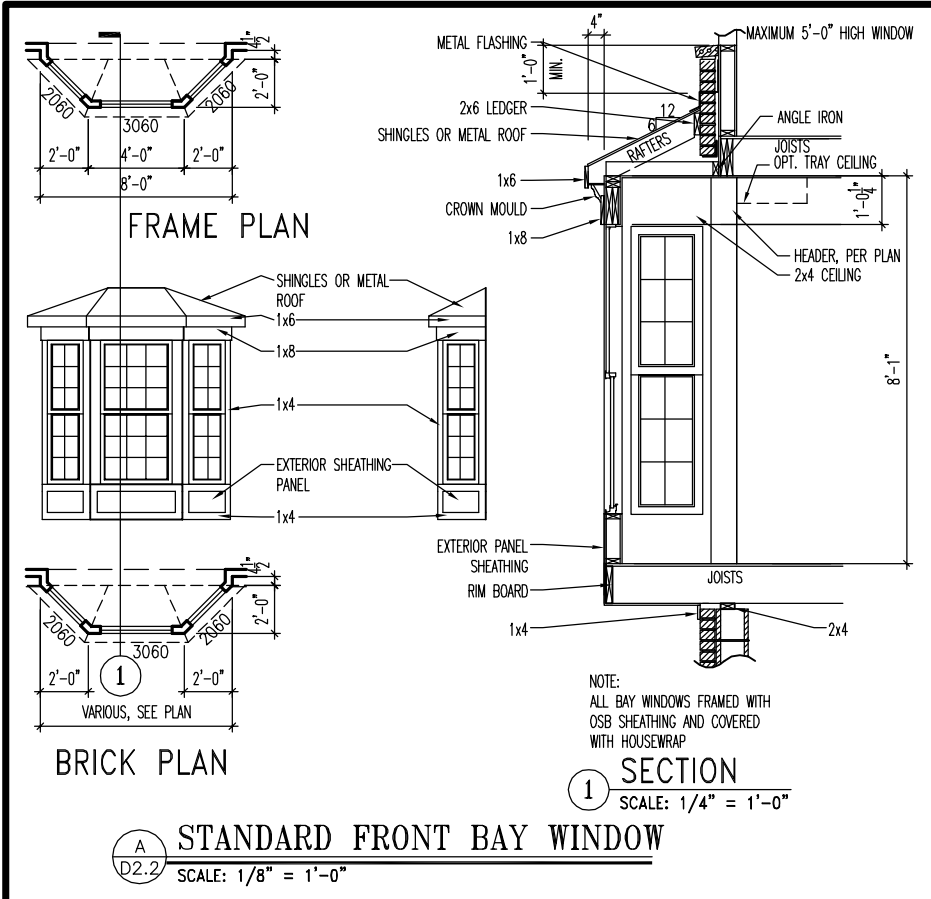
**Drees Homes**  
7701 Six Forks Road, Suite 132, Raleigh, NC 27615 PH(919) 844-9288  
Copyright © 2005 The Drees Company, All rights reserved. These plans are protected by Copyright. No part of these plans may be reproduced in any form or by any means, including photocopying, without the written permission from the Copyright owner.

**STD. DETAIL SHEET**  
REGION:  
**RALEIGH**

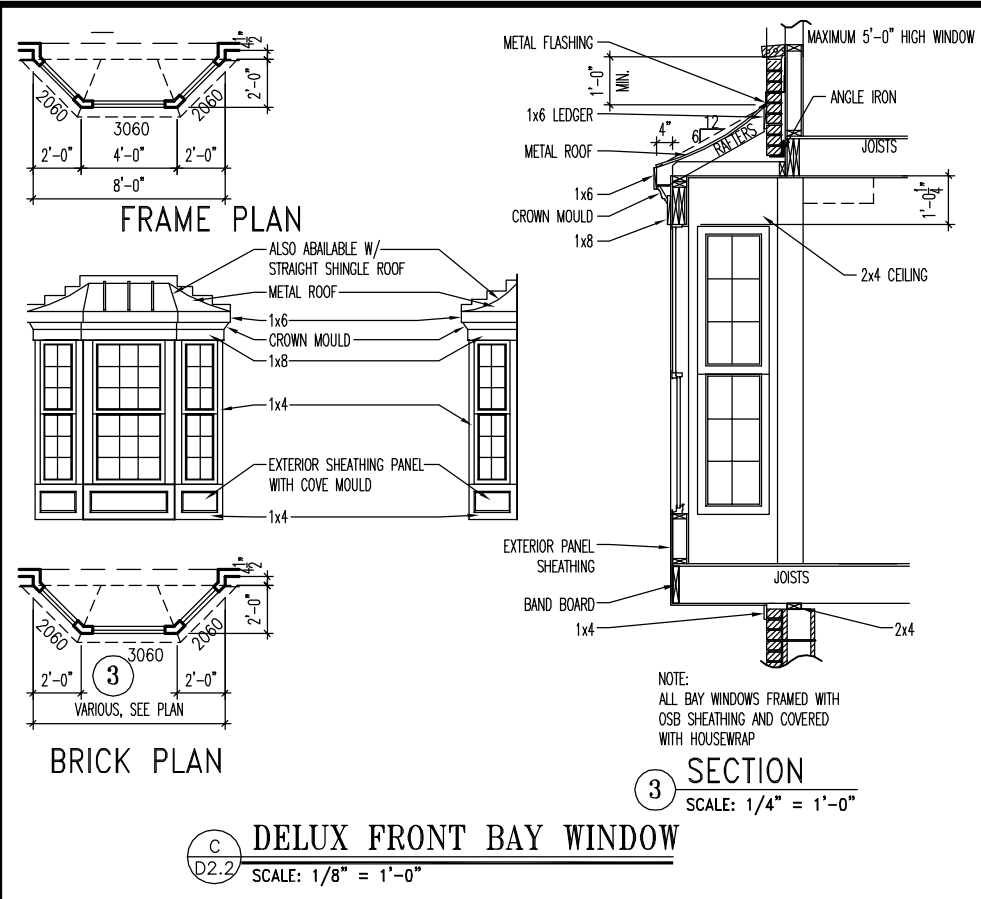
Std. By: ALL  
Chk. By: ARC  
Std. Date: 10.11.06  
Last Rev: 4/5/10 MSM  
Sheet Description:  
**FRAMING DETAILS**

Sheet No.  
**D2.1**  
**DETAILS MAY NOT APPLY TO CONTRACT**

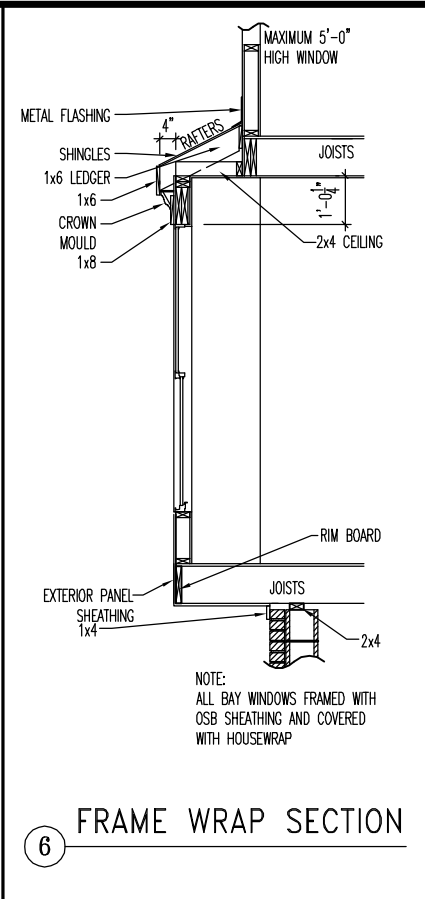




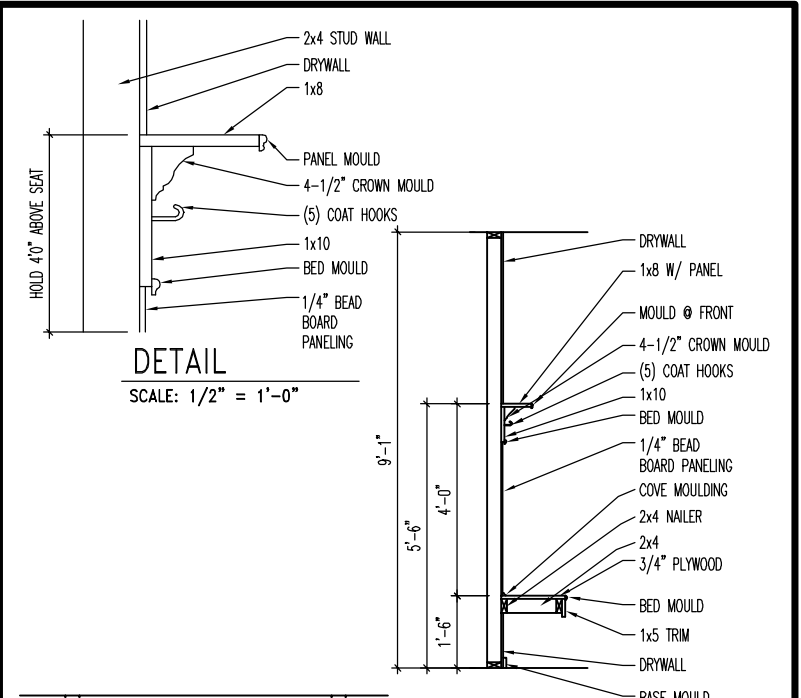
**A STANDARD FRONT BAY WINDOW**  
D2.2 SCALE: 1/8" = 1'-0"



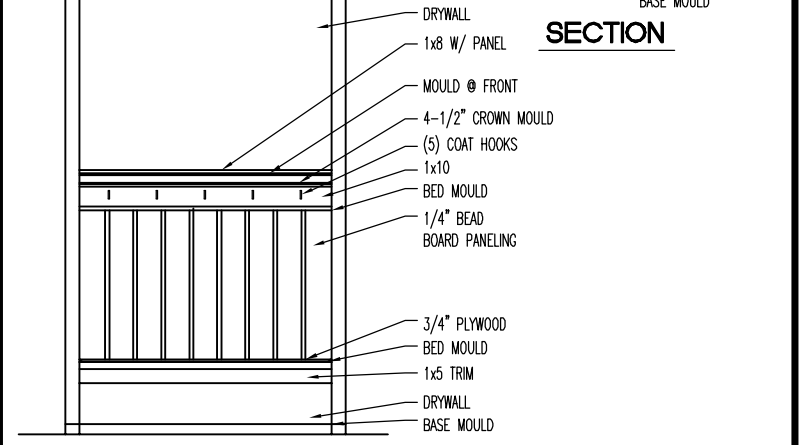
**C DELUX FRONT BAY WINDOW**  
D2.2 SCALE: 1/8" = 1'-0"



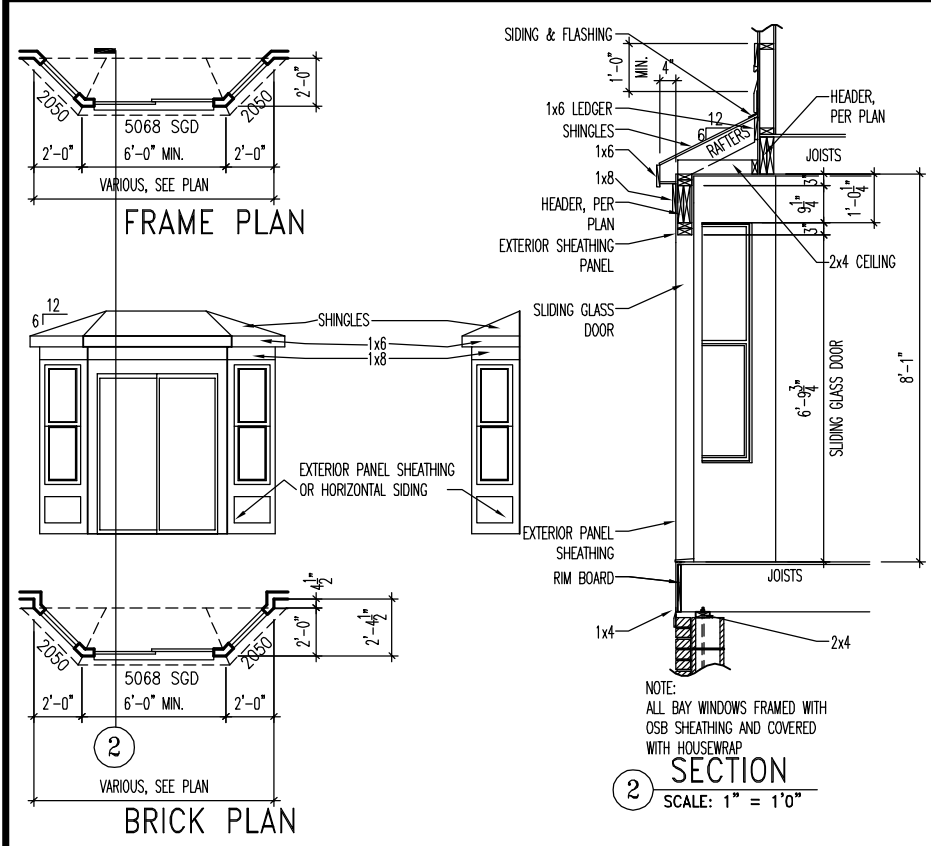
**6 FRAME WRAP SECTION**



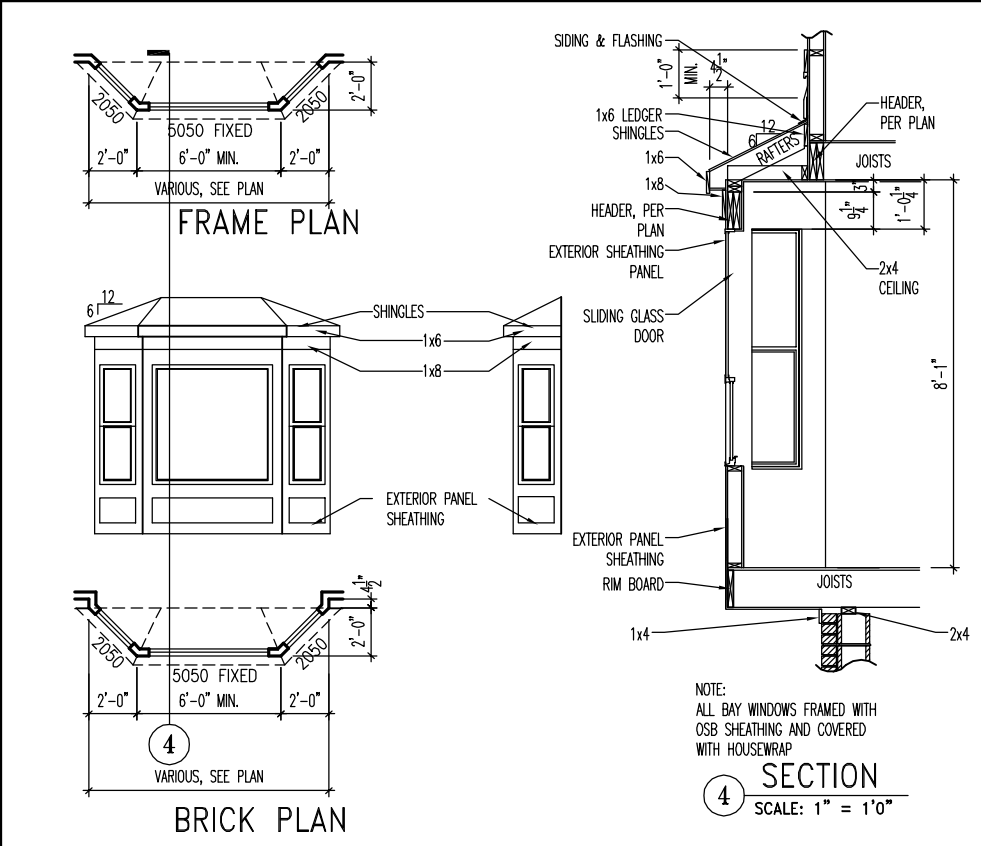
**DETAIL**  
SCALE: 1/2" = 1'-0"



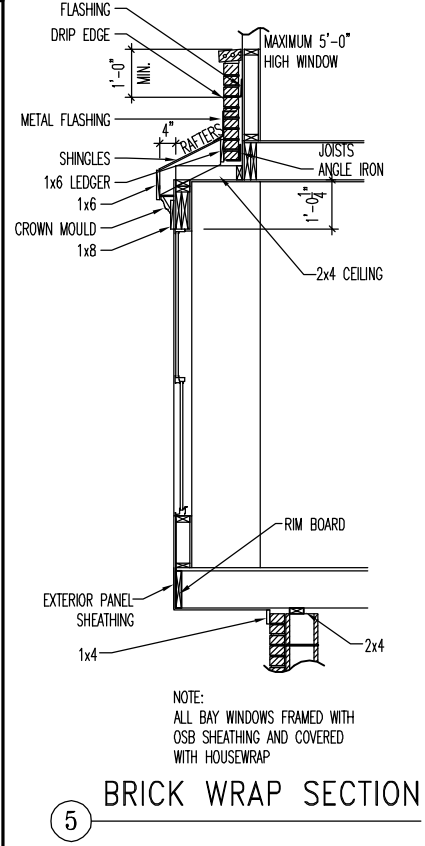
**F SEAT DETAILS**  
D2.2 SCALE: 1/8" = 1'-0"



**B REAR BAY WITH SLIDING GLASS DOOR**  
D2.2 SCALE: 1/8" = 1'-0"

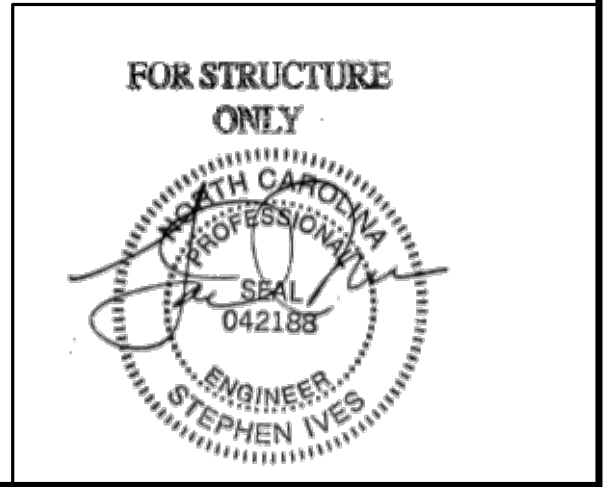
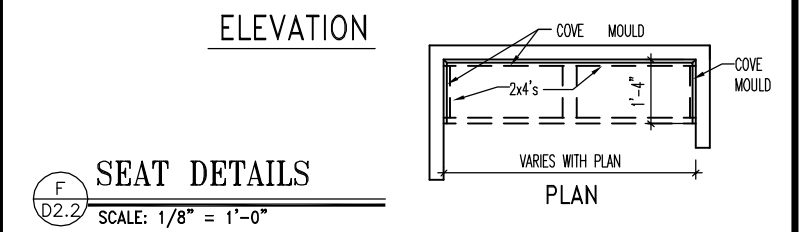


**D REAR BAY WITH WINDOW**  
D2.2 SCALE: 1/8" = 1'-0"



**5 BRICK WRAP SECTION**

**E BOX BAY(S)**  
D2.2 SCALE: 1/8" = 1'-0"



**Drees Homes**  
7701 Six Forks Road, Suite 132, Raleigh, NC 27615 Pte(919) 844-9288  
Copyright © 2005 The Drees Company, All rights reserved. These plans are protected by Copyright. No part of these plans may be reproduced in any form or by any means, including photocopying, without the written permission from the Copyright owner.

**STD. DETAIL SHEET**  
REGION: **RALEIGH**

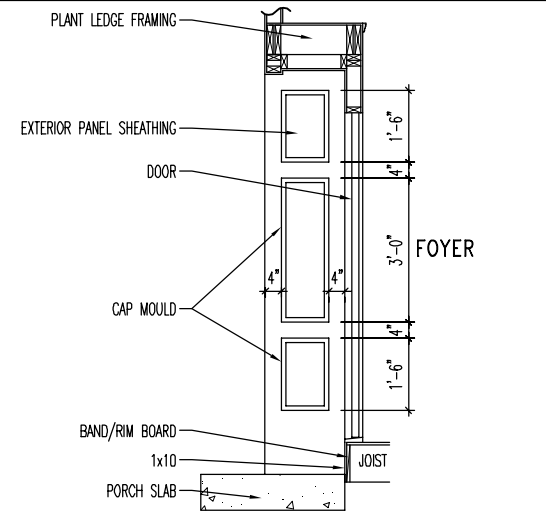
Std. By:	ALL
Chk. By:	ARC
Std. Date:	10.11.06
Date of Last Rev:	02/25/09 DAB

Sheet Description:  
**FRONT BAY WINDOW DETAILS**  
**REAR BAY WINDOW DETAILS**

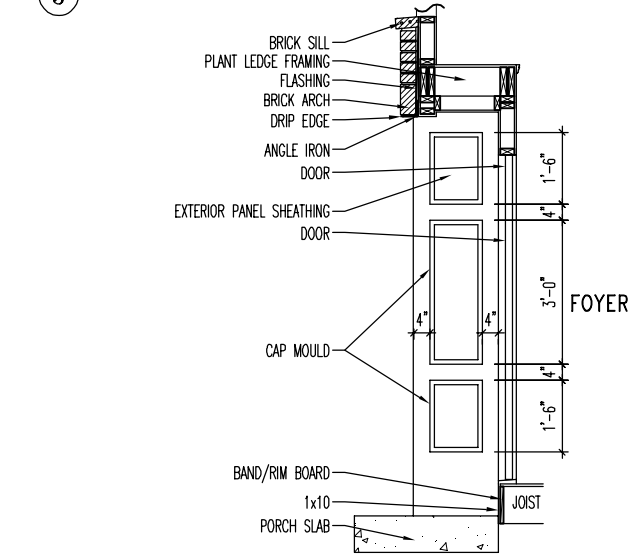
**DETAILS MAY NOT APPLY TO CONTRACT**

Sheet No.  
**D2.2**

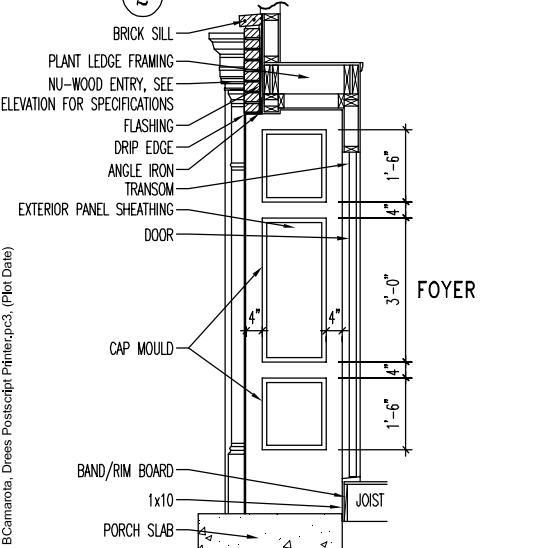




3 FRAME WRAP RECESSED ENTRY



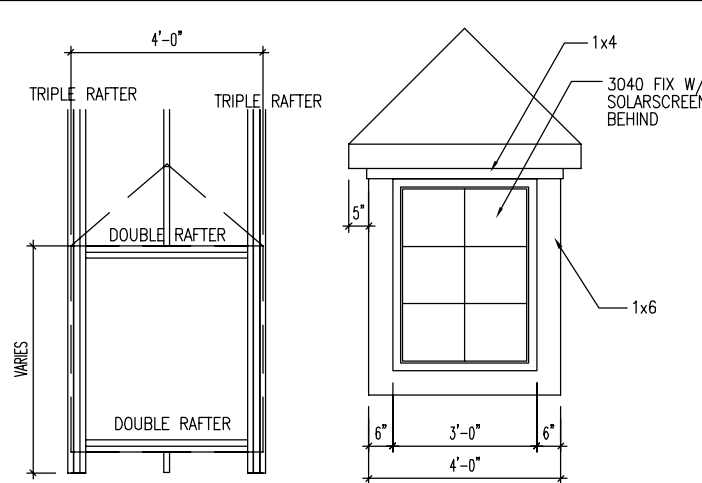
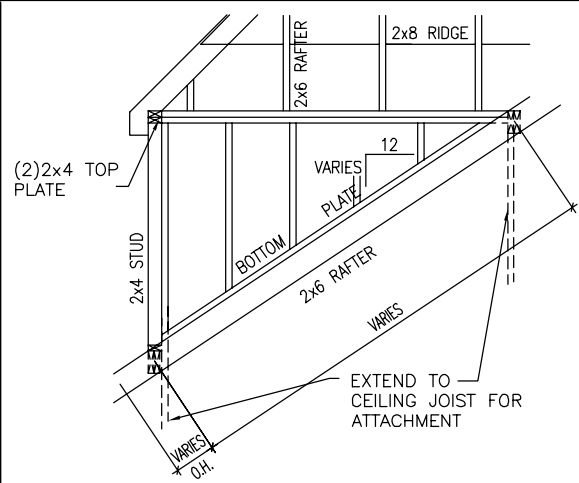
2 BRICK WRAP RECESSED ENTRY



1 NU-WOOD RECESSED ENTRY

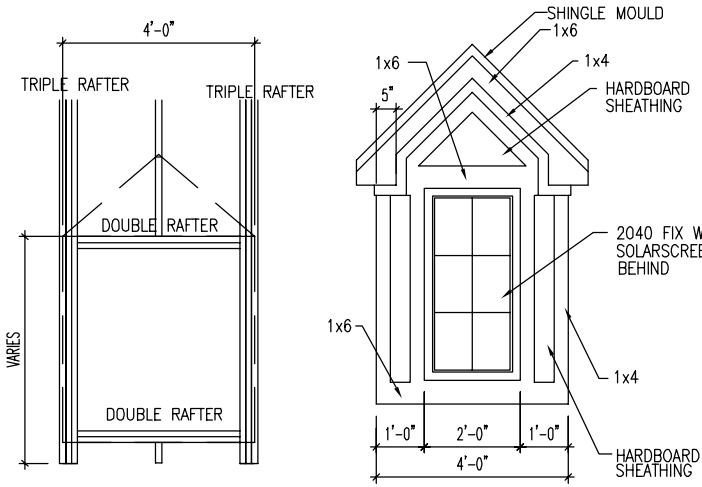
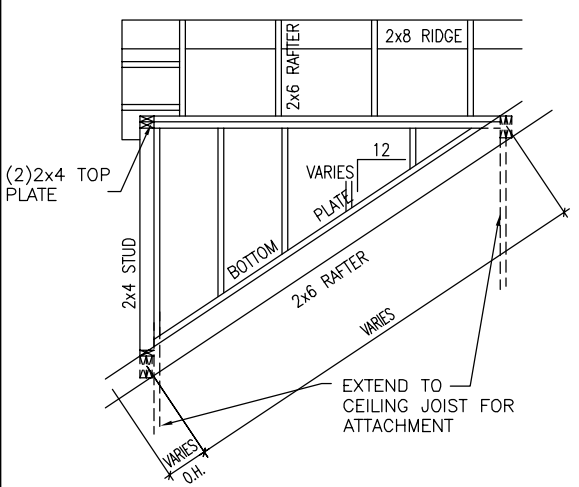
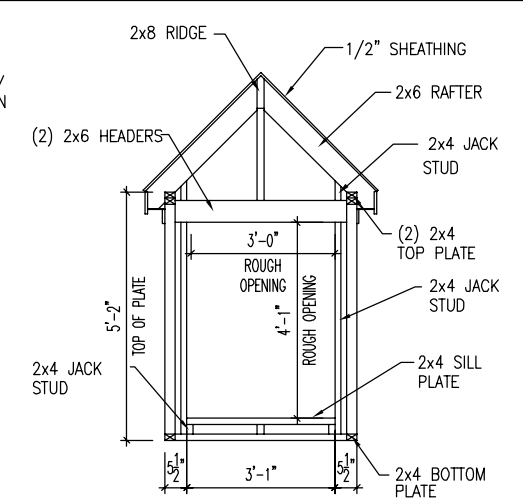
A RECESSED ENTRY DETAILS

D2.3 SCALE: 1/4" = 1'-0"



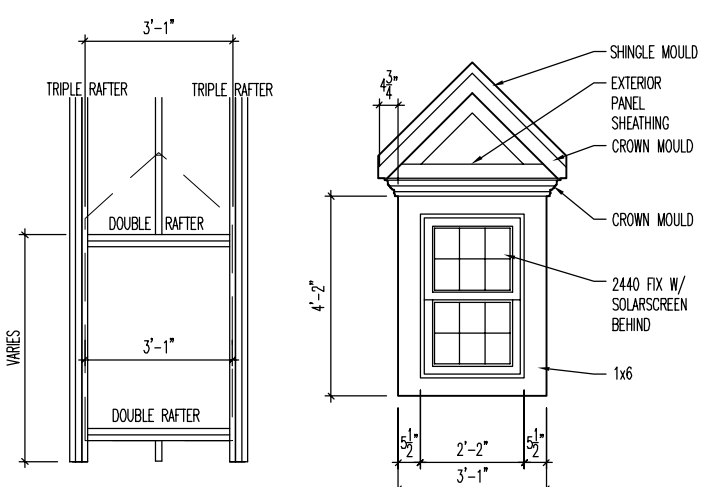
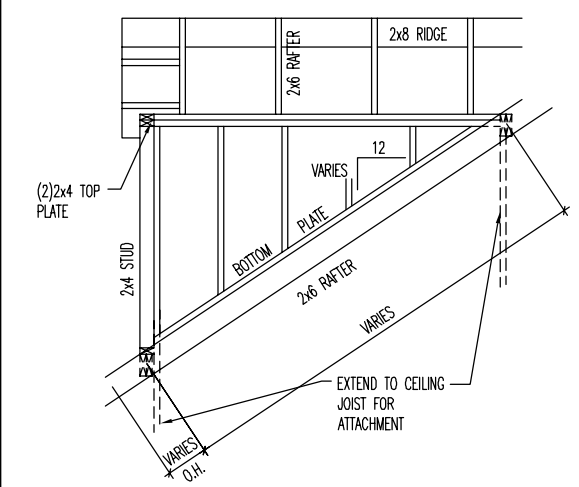
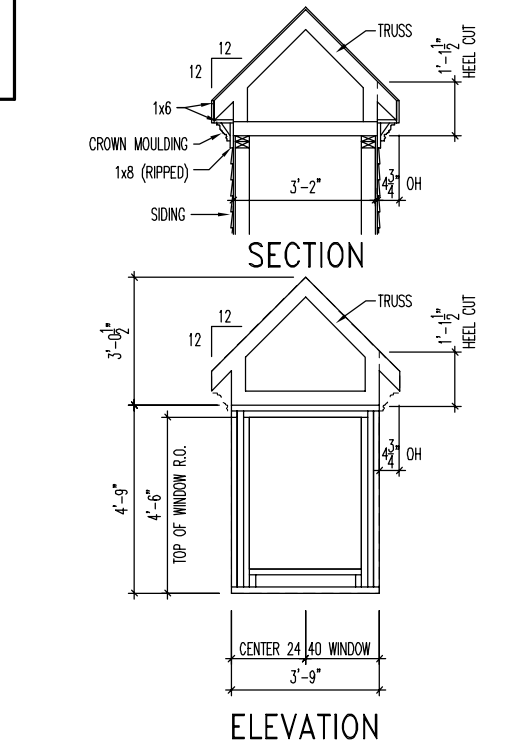
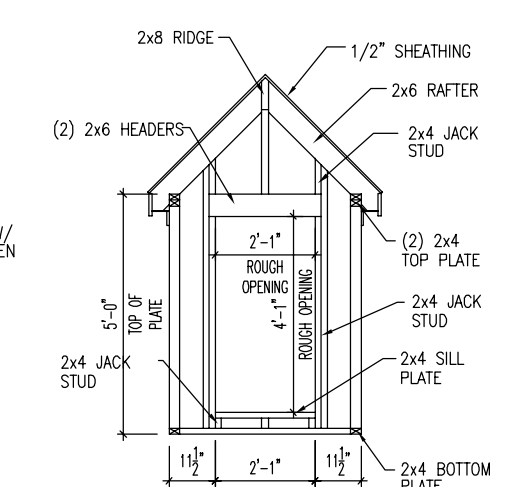
B HIP DORMER DETAILS

D2.3 SCALE: 1/2" = 1'-0"



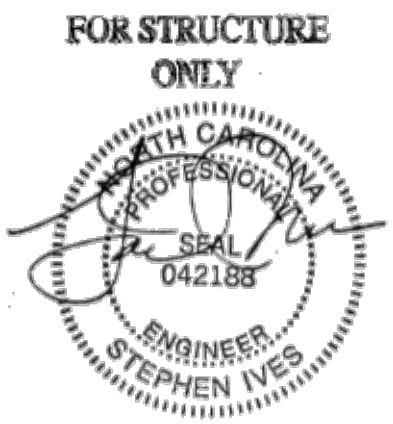
C GABLE DORMER DETAILS

D2.3 SCALE: 1/2" = 1'-0"



D DELUX GABLE DORMER DETAILS

D2.3 SCALE: 1/2" = 1'-0"



8/4/2009 3:47:31 PM, E:\Camara\... Drees Postscript Printer.pc3, (Plot Date)



**Drees Homes**  
7701 Six Forks Road, Suite 132, Raleigh, NC 27615 PH(919) 844-9288  
Copyright ©, 2005 The Drees Company, All rights reserved. These plans are protected by Copyright. No part of these plans may be reproduced in any form or by any means, including photocopying, without the written permission from the Copyright owner.

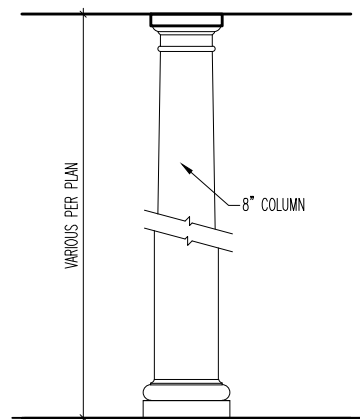
**STD. DETAIL SHEET**  
REGION: **RALEIGH**

Std. By:	ALL
Chk. By:	ARC
Std. Date:	10.11.06
Date of Last Rev:	REV_DATE

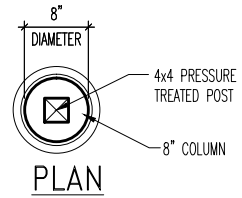
Sheet Description:  
**RECESSED ENTRY DETAILS  
DORMER DETAILS**

**DETAILS MAY NOT APPLY TO CONTRACT**  
RALIEGH - D-SHEETS.dwg Aug 04, 2009 - 3:47pm

Sheet No.  
**D2.3**



ELEVATION

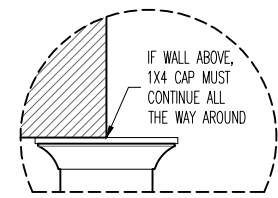


PLAN

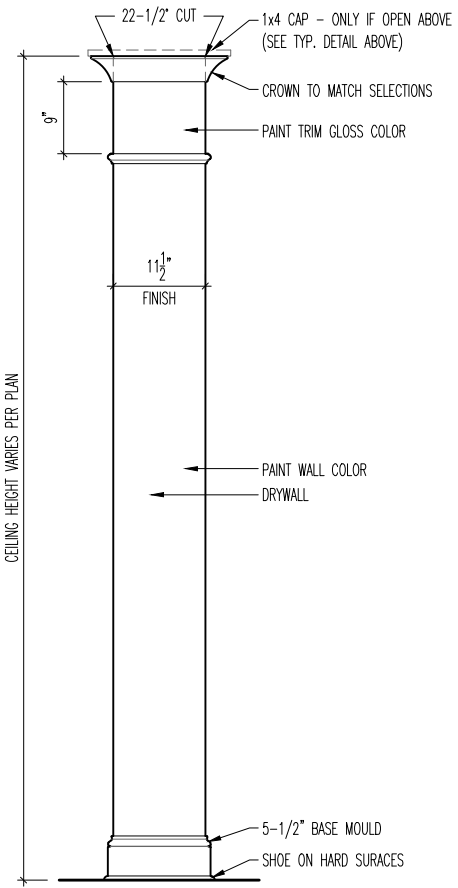
**ROUND COLUMN  
DETAIL (INTERIOR/  
EXTERIOR)**

A  
D2.4  
SCALE: 1/2" = 1'-0"

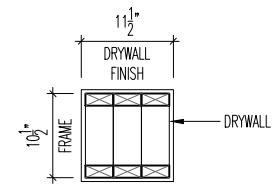
**\* NOTE \***  
ALL COLUMN SURFACES  
TO BE PAINTED TRIM GLOSS  
COLOR, UNLESS NOTED  
OTHERWISE.



DETAIL W/ WALL ABOVE (TYP.)

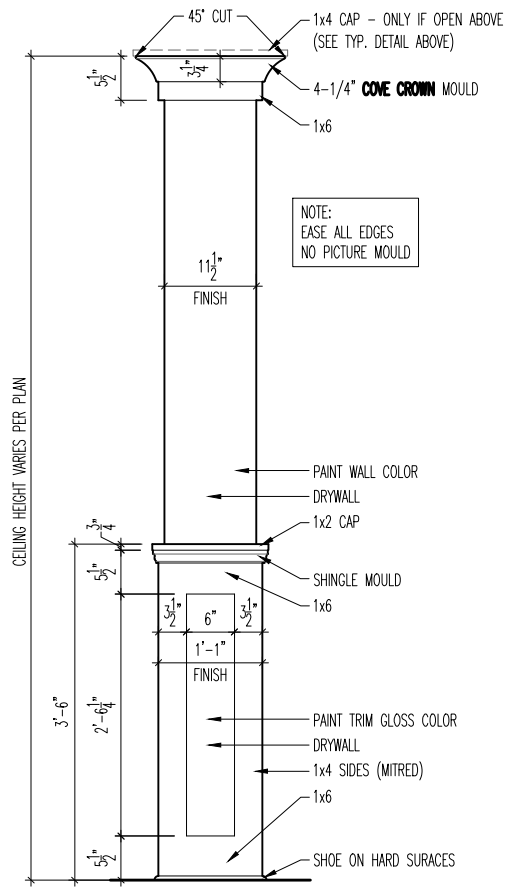


ELEVATION

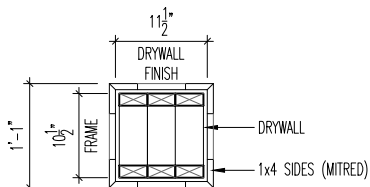


PLAN

**STANDARD**

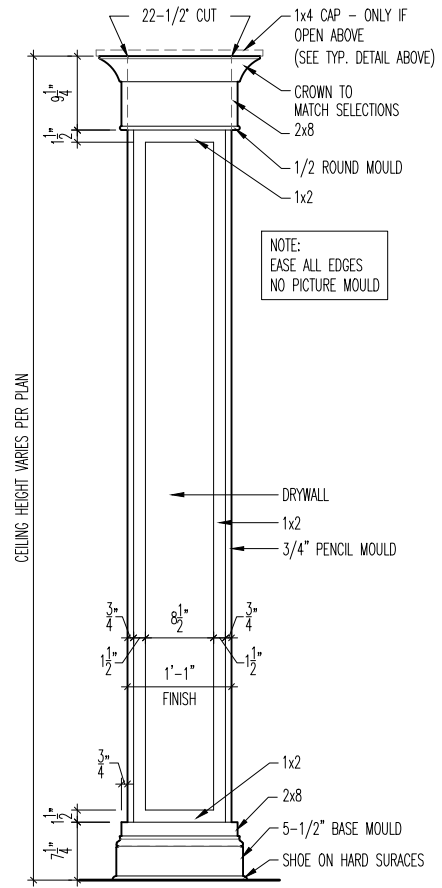


ELEVATION

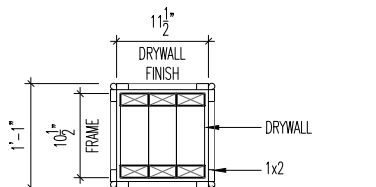


PLAN

**STANDARD  
W/ CRAFTSMAN PACKAGE**



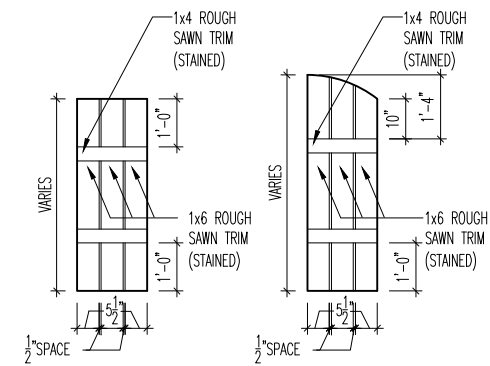
ELEVATION



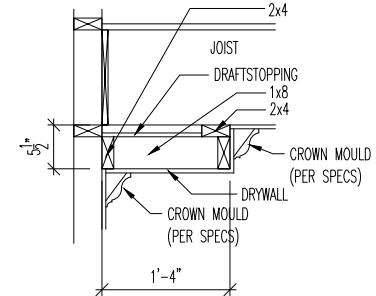
PLAN

**UPGRADE**

D  
D2.4  
**COLUMN DETAIL (INTERIOR)**  
SCALE: 1/2" = 1'-0"

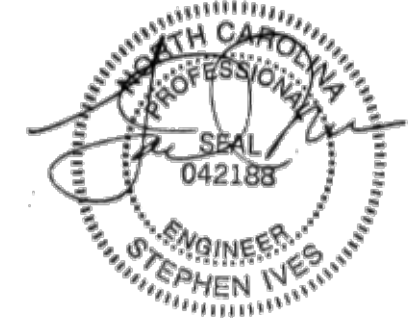


M  
D2.4  
**SLAT SHUTTER DETAIL**  
SCALE: 1/4" = 1'-0"



H  
D2.4  
**SINGLE TRAY  
CEILING DETAIL**  
SCALE: 1/2" = 1'-0"

**FOR STRUCTURE  
ONLY**



**Drees Homes**  
7701 Six Forks Road, Suite 132, Raleigh, NC 27615 PH:(919) 844-9288  
Copyright ©, 2005 The Drees Company. All rights reserved. These plans are protected by Copyright.  
No part of these plans may be reproduced in any form or by any means, including photocopying,  
without the written permission from the Copyright owner.

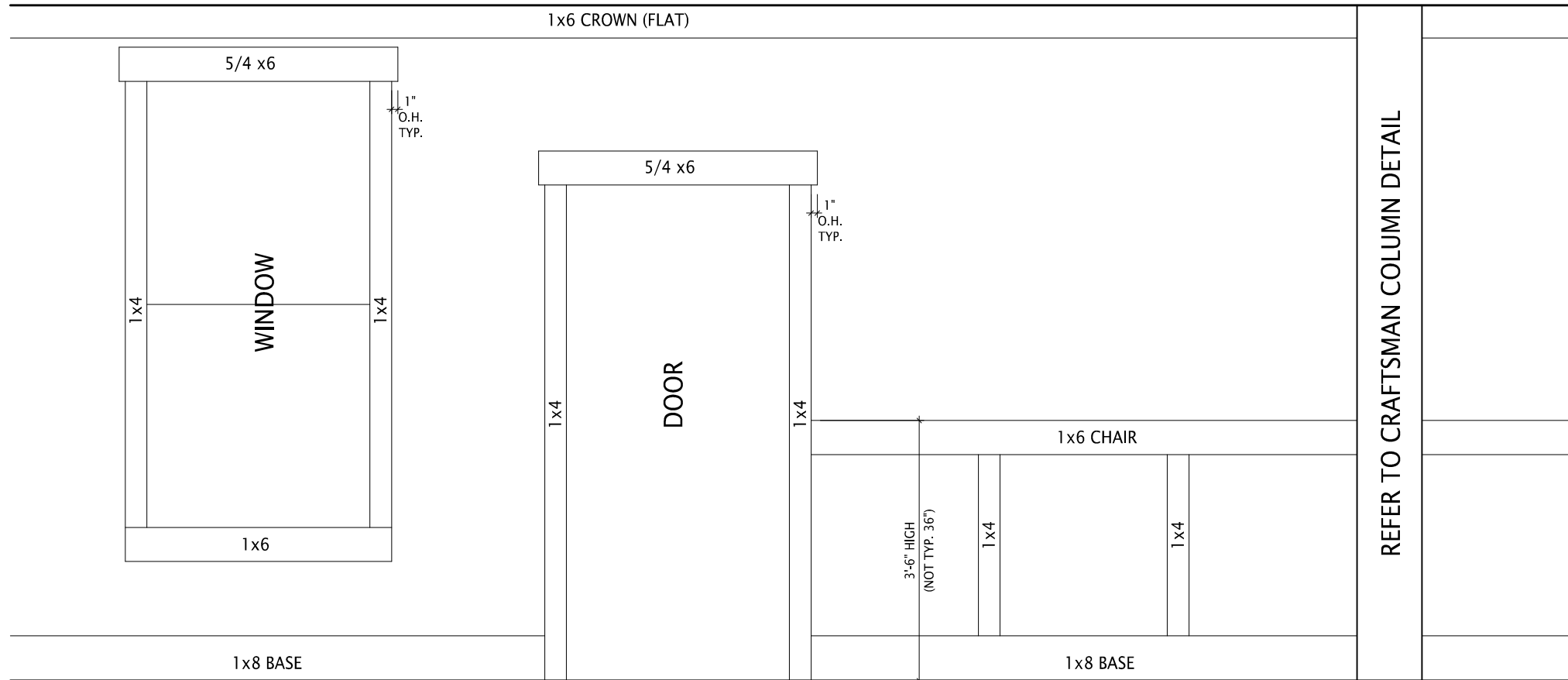
**STD. DETAIL SHEET**  
REGION:  
**RALEIGH**

Std. By:	ALL
Chk. By:	ARC
Std. Date:	10.11.06
Date of Last Rev:	9/18/09

Sheet Description: **COLUMN DETAILS  
SUNROOM DETAILS**

**DETAILS MAY NOT APPLY TO CONTRACT**

Sheet No.  
**D2.4**



REFER TO CRAFTSMAN COLUMN DETAIL

**A**  
D2.5 CRAFTSMAN STYLE INTERIOR TRIM PACKAGE - ELEVATION  
SCALE: 1/2" = 1'-0"



**Drees Homes**  
7701 Six Forks Road, Suite 132, Raleigh, NC 27615 PH:(919) 844-9288  
Copyright ©, 2005 The Drees Company, All rights reserved. These plans are protected by Copyright.  
No part of these plans may be reproduced in any form or by any means, including photocopying,  
without the written permission from the Copyright owner.

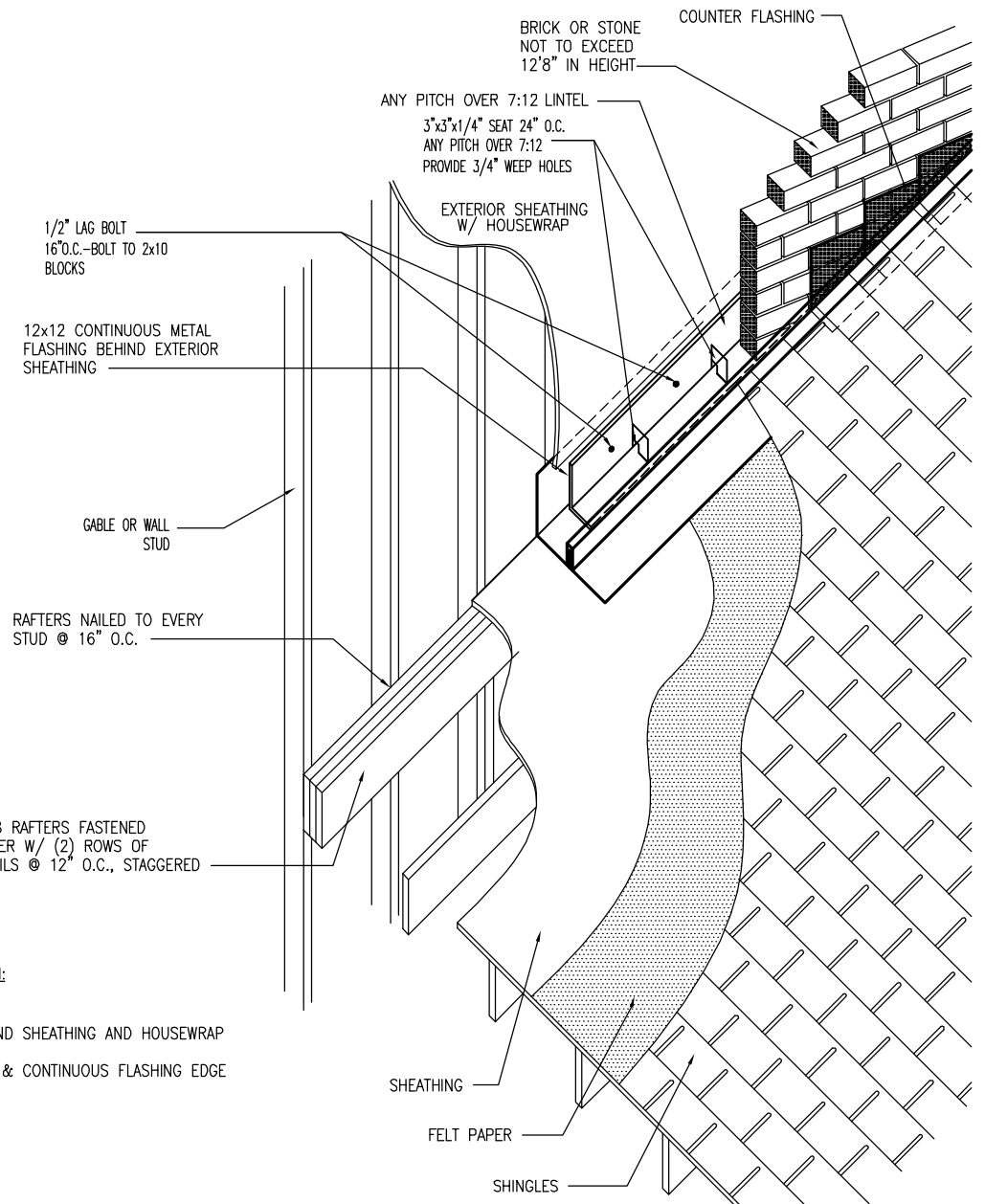
**STD. DETAIL SHEET**  
REGION:  
**RALEIGH**

Std. By: DWW  
Chk. By: ARC  
Std. Date: 1.9.07  
Date of Last Rev: 02/28/08 bdt

Sheet Description:  
**INTERIOR TRIM DETAILS**

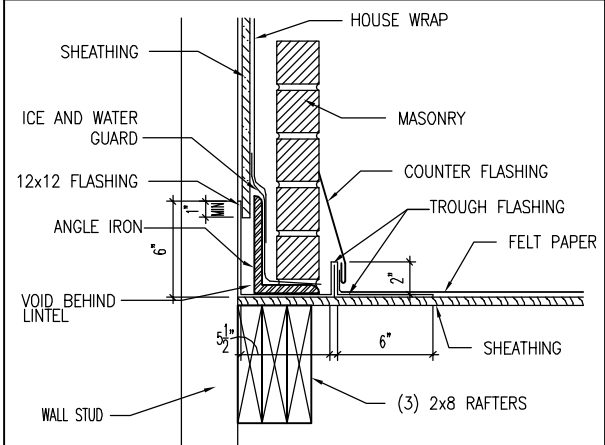
**DETAILS MAY NOT APPLY TO CONTRACT**  
RALEIGH - D-SHEETS.dwg Dec 10, 2014 - 1:50pm

Sheet No.  
**D2.5**

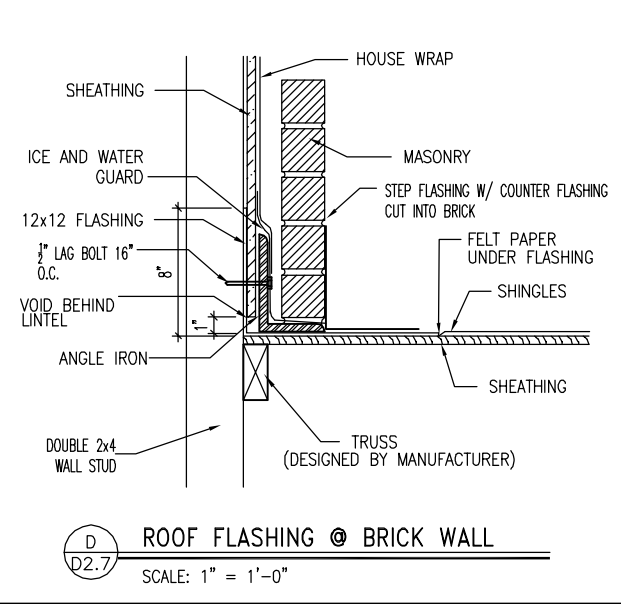


- SEQUENCE OF INSTALLATION:**
1. ROOF SHEATHING
  2. FELT PAPER
  3. 12"x12" FLASHING BEHIND SHEATHING AND HOUSEWRAP
  4. ANGLE IRON
  5. CAULK ALL NAIL HOLES & CONTINUOUS FLASHING EDGE
  6. BRICK
  7. STEP FLASHING
  8. SHINGLES
  9. COUNTER FLASHING

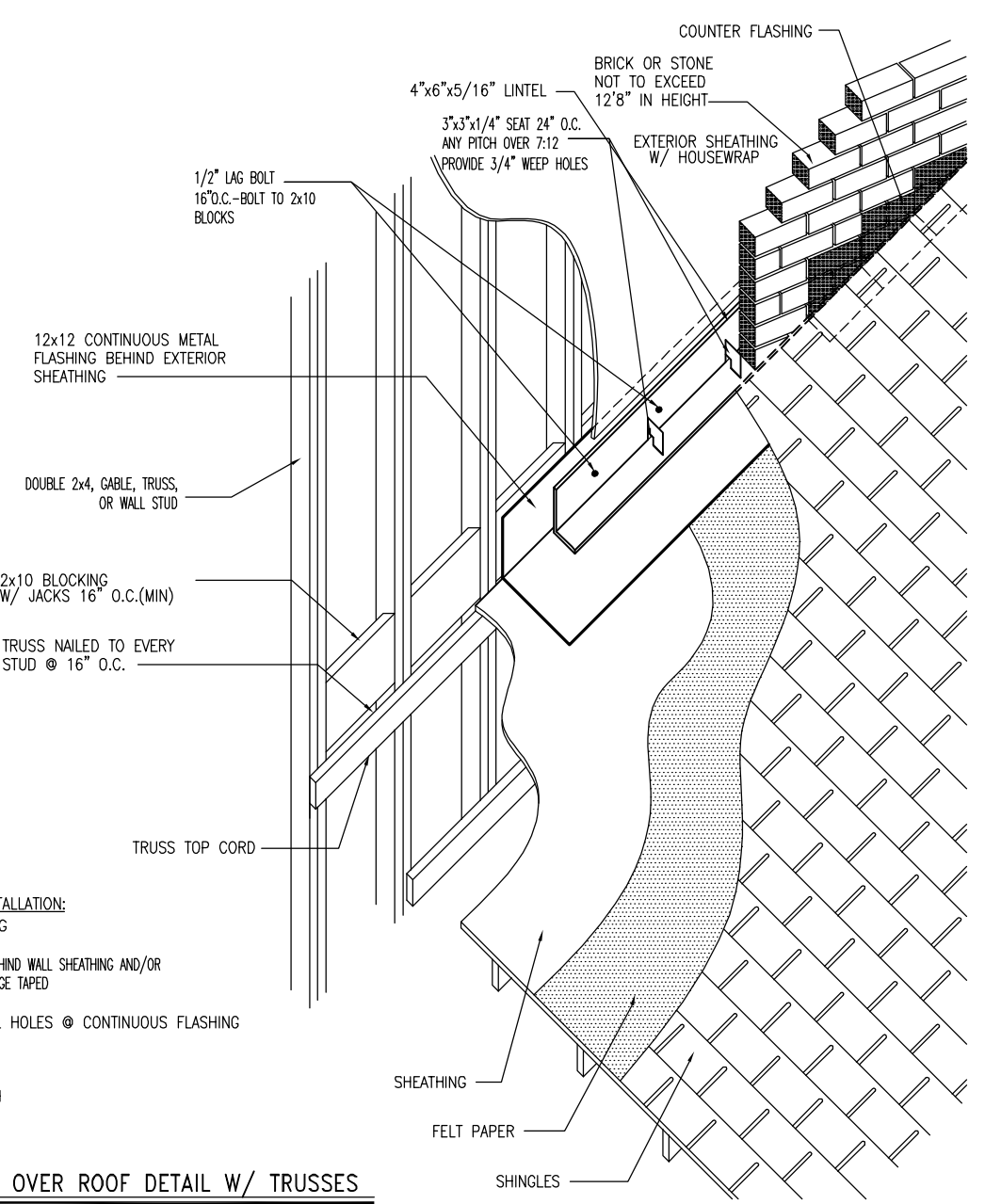
**(A) MASONRY OVER ROOF DETAIL W/ COMMON FRAMING**  
 SCALE: 1/2" = 1'-0"



**(C) ROOF FLASHING @ BRICK WALL**  
 SCALE: 1" = 1'-0"



**(D) ROOF FLASHING @ BRICK WALL**  
 SCALE: 1" = 1'-0"



- SEQUENCE OF INSTALLATION:**
1. ROOF SHEATHING
  2. FELT PAPER
  3. 12"x12" FLASHING BEHIND WALL SHEATHING AND/OR HOUSEWRAP; TOP EDGE TAPED
  4. ANGLE IRON
  5. CAULK ALL NAIL HOLES @ CONTINUOUS FLASHING
  6. BRICK
  7. STEP FLASHING
  8. SHINGLES
  9. COUNTER FLASH

**(B) MASONRY OVER ROOF DETAIL W/ TRUSSES**  
 SCALE: 1/2" = 1'-0"



**Drees Homes**  
 7701 Six Forks Road, Suite 132, Raleigh, NC 27615 Pte(919) 844-9288  
 Copyright © 2005 The Drees Company, All rights reserved. These plans are protected by Copyright. No part of these plans may be reproduced in any form or by any means, including photocopying, without the written permission from the Copyright owner.

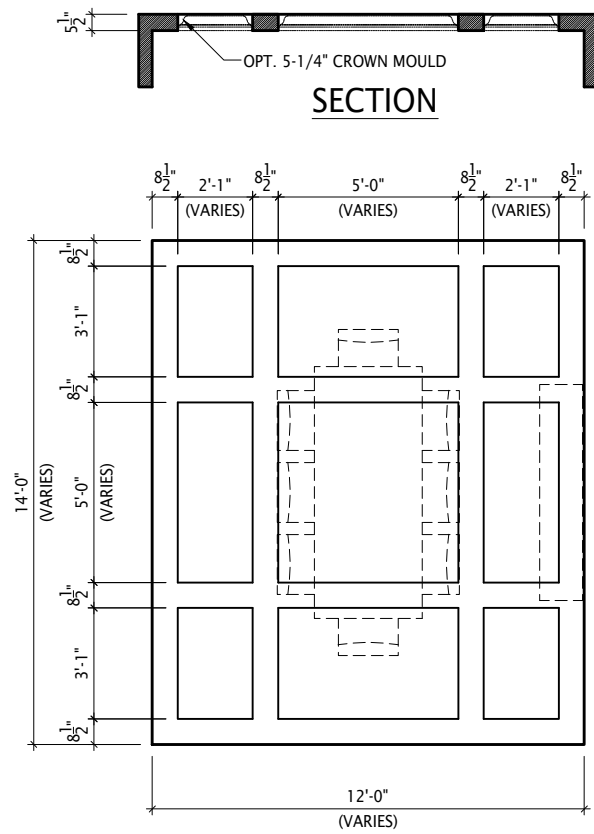
**STD. DETAIL SHEET**  
 REGION: **RALEIGH**

Std. By:	DWW
Chk. By:	ARC
Std. Date:	1.9.07
Date of Last Rev:	09/27/06 BRG

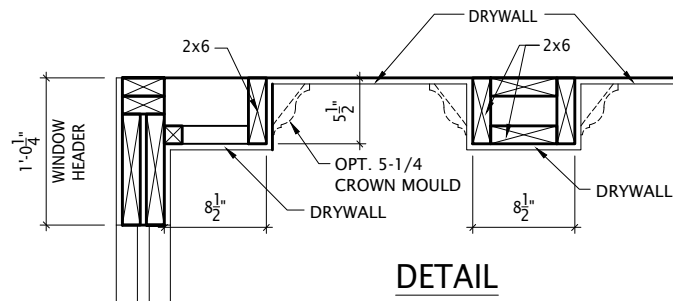
Sheet Description:  
**BRICK OVER ROOF DETAILS**

**DETAILS MAY NOT APPLY TO CONTRACT**  
 RALIEGH - D-SHEETS.dwg Jul 05, 2013 - 4:13pm

Sheet No.  
**D2.7**



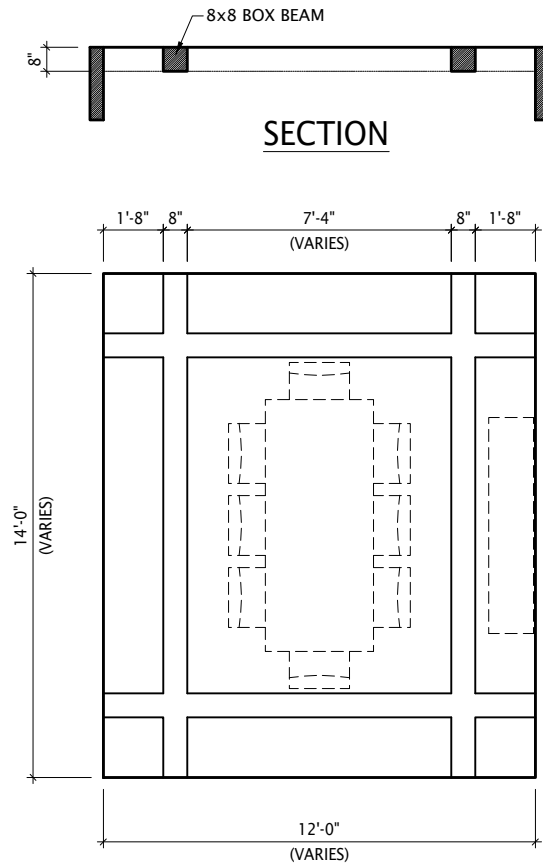
TYPICAL PLAN



DETAIL

Note: Ceiling treatment details will tray down into space on enclosed rooms located on the 1st floor. On enclosed rooms on the 2nd floor, the ceiling treatment will tray up into the roof truss system. On 2-story spaces, the ceiling treatment will tray down into the space and require an appropriate sized header to capture the ceiling detail return.

01

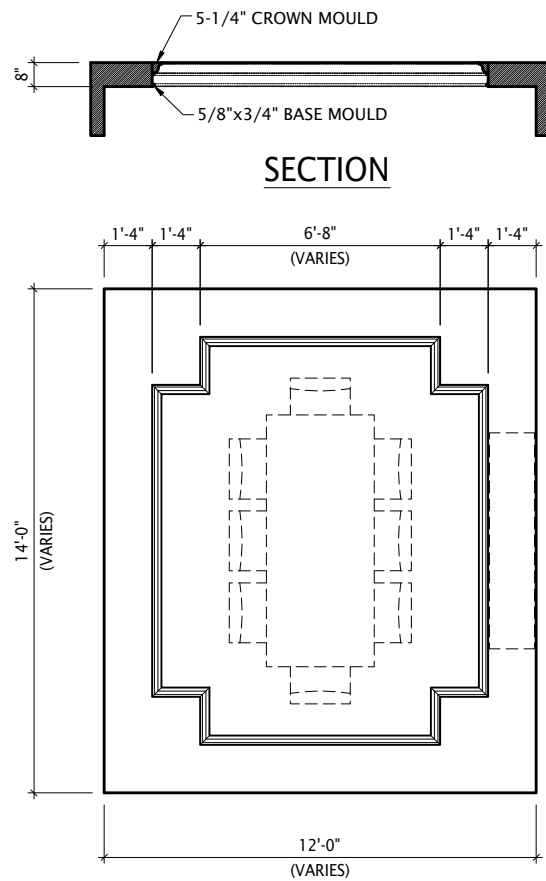


TYPICAL PLAN



Note: Ceiling treatment details will tray down into space on enclosed rooms located on the 1st floor. On enclosed rooms on the 2nd floor, the ceiling treatment will tray up into the roof truss system. On 2-story spaces, the ceiling treatment will tray down into the space and require an appropriate sized header to capture the ceiling detail return.

05

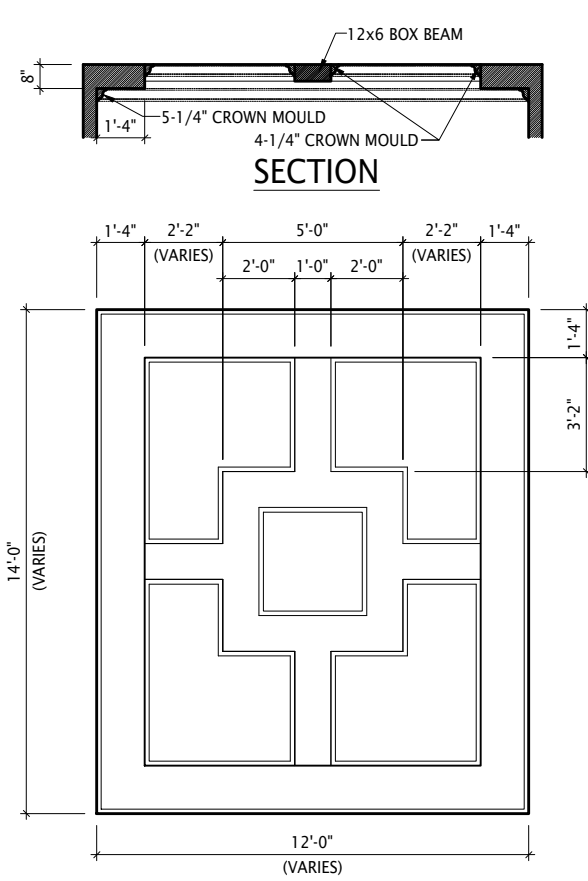


TYPICAL PLAN

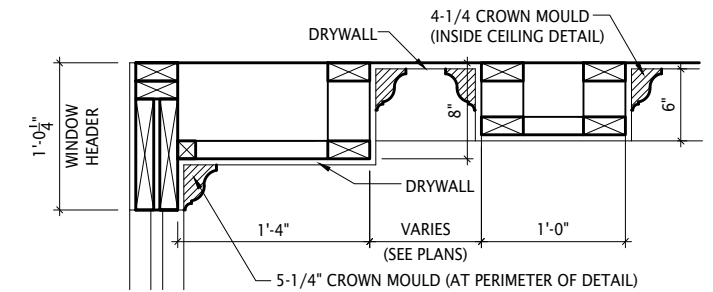


Note: Ceiling treatment details will tray down into space on enclosed rooms located on the 1st floor. On enclosed rooms on the 2nd floor, the ceiling treatment will tray up into the roof truss system. On 2-story spaces, the ceiling treatment will tray down into the space and require an appropriate sized header to capture the ceiling detail return.

04



TYPICAL PLAN



DETAIL

Note: Ceiling treatment details will tray down into space on enclosed rooms located on the 1st floor. On enclosed rooms on the 2nd floor, the ceiling treatment will tray up into the roof truss system. On 2-story spaces, the ceiling treatment will tray down into the space and require an appropriate sized header to capture the ceiling detail return.

15

CEILING TREATMENTS

SCALE: AS NOTED

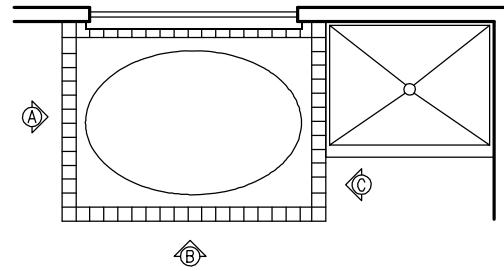


SHEET NO. BLC  
DRAWN BY: 01/27/15

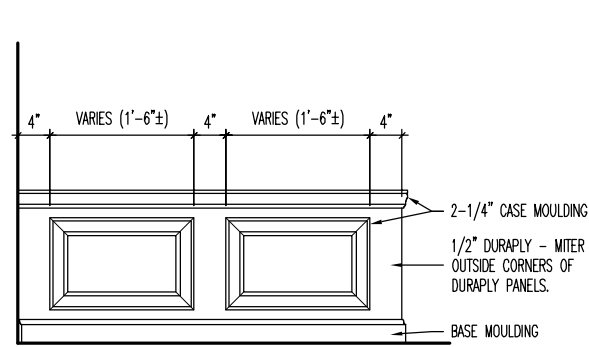
DATE OF DETAIL: 01/27/15  
LAST REVISION: Dec 16, 2015 - 10:42am

D4.1

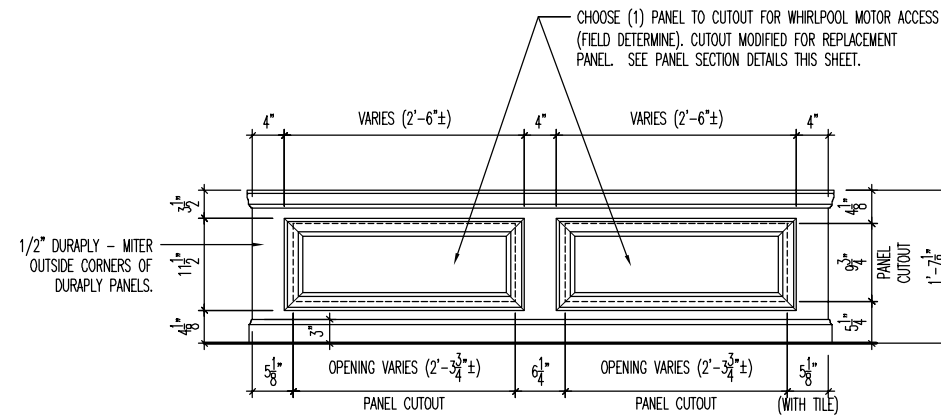
RETANGULAR TUB



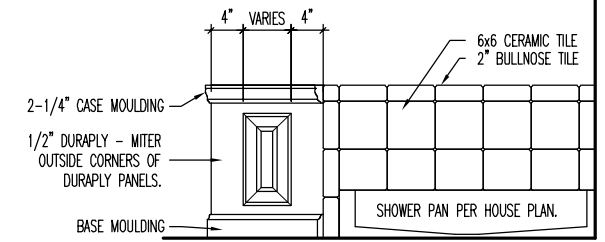
**RETANGULAR TUB PLAN**  
SCALE: 1/8" = 1'-0"



**(A) OPEN SIDE ELEVATION**



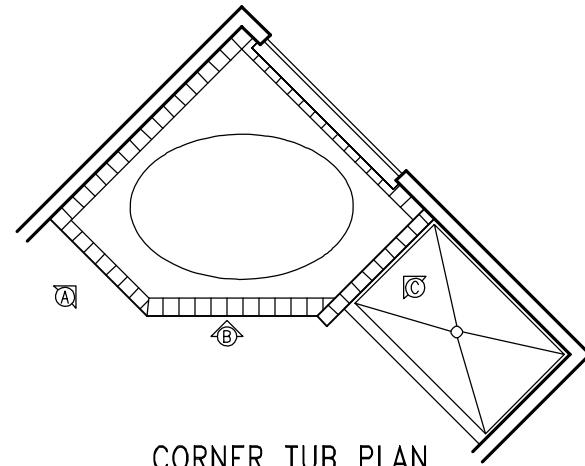
**(B) FRONT ELEVATION**



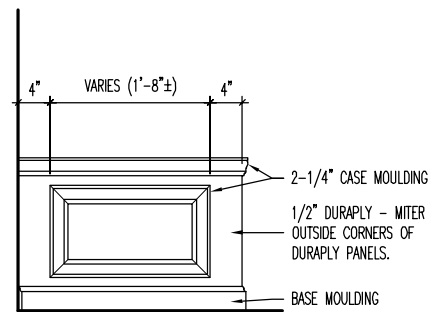
**(C) SIDE ELEVATION w/ SHOWER**

**RECTANGULAR DROP-IN TUB PANEL ELEVATIONS**  
SCALE: 1/2" = 1'-0"

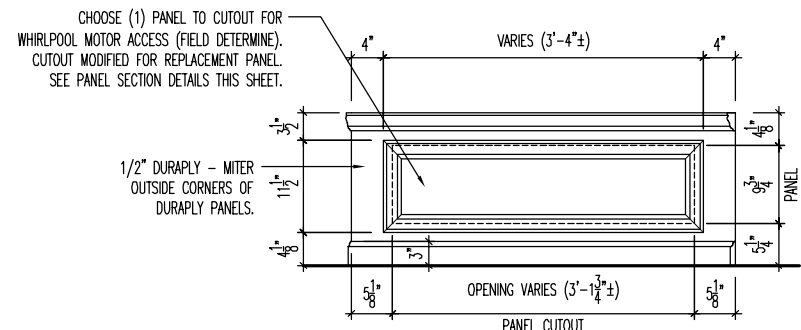
CORNER TUB



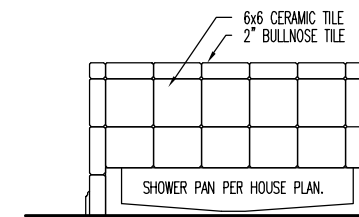
**CORNER TUB PLAN**  
SCALE: 1/8" = 1'-0"



**(A) OPEN SIDE ELEVATION**

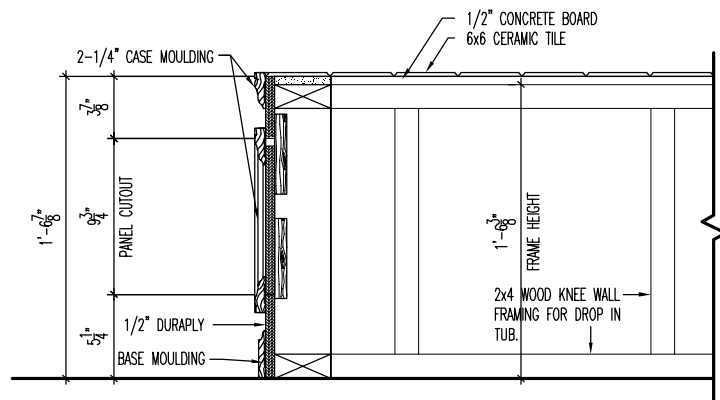


**(B) FRONT ELEVATION**

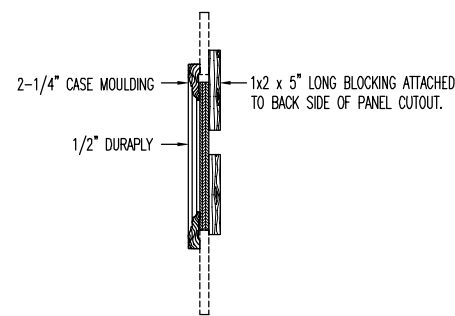


**(C) SIDE ELEVATION w/ SHOWER**

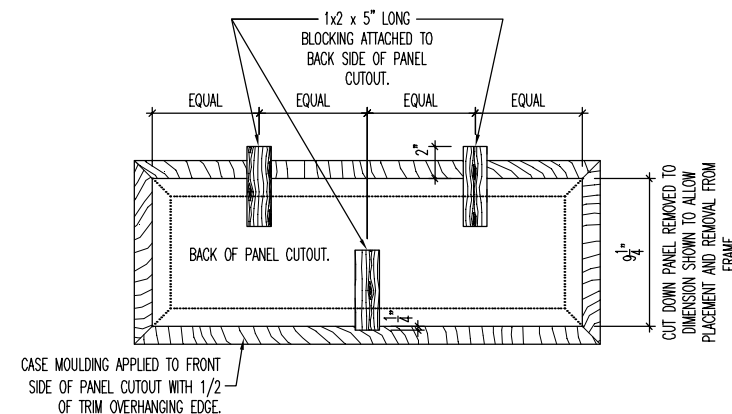
**CORNER DROP-IN TUB PANEL ELEVATIONS**  
SCALE: 1/2" = 1'-0"



**(A) SECTION THRU REMOVABLE PANEL AT TUB PLATFORM**



**(B) PANEL SECTION**



**(C) PANEL BACK**

**PANEL SECTION DETAILS**  
SCALE: 1" = 1'-0"



Drees Homes

7701 Six Forks Road, Suite 132, Raleigh, NC 27615 PH:(919) 844-9288  
Copyright ©, 2005 The Drees Company, All rights reserved. These plans are protected by Copyright. No part of these plans may be reproduced in any form or by any means, including photocopying, without the written permission from the Copyright owner.

STD. DETAIL SHEET

REGION:  
RALEIGH

Std. By: ALL  
Chk. By: ARC  
Std. Date: 10.11.06  
Date of REV. DATE

Sheet Description:

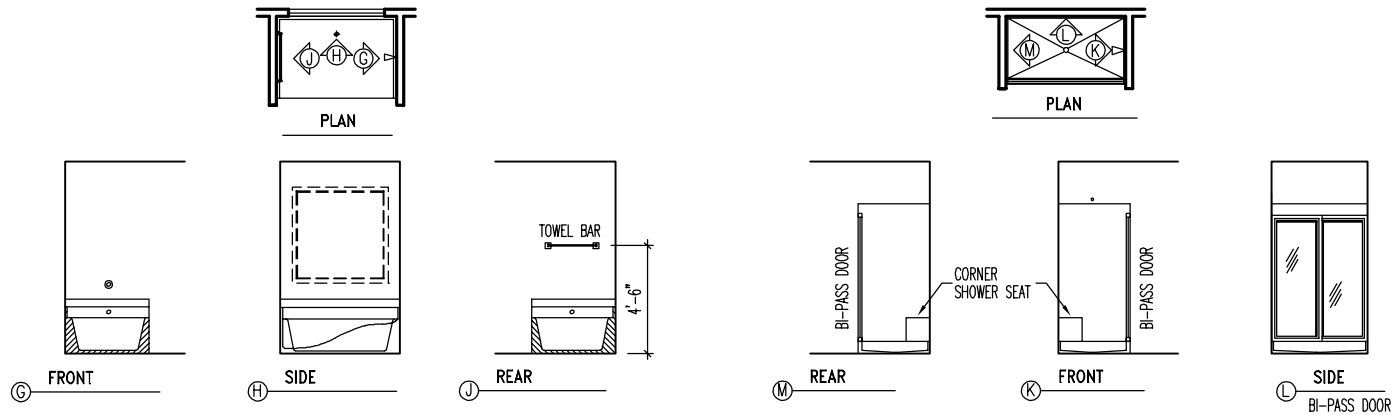
FOUNDATION DETAILS

DETAILS MAY NOT APPLY TO CONTRACT

RALEIGH - D-SHEETS.dwg Feb 27, 2009 - 11:07am

Sheet No.

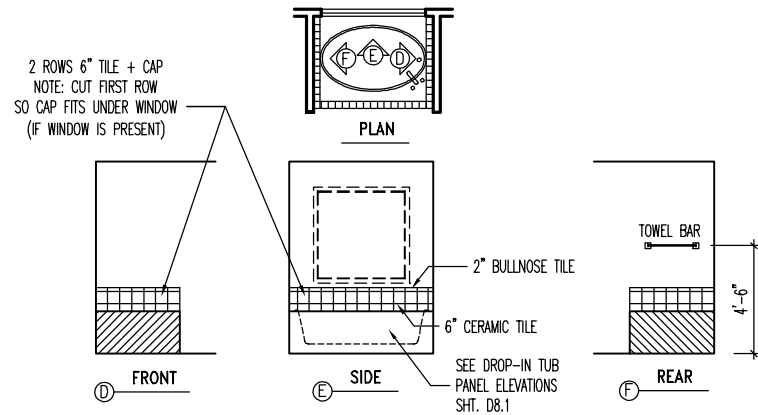
D8.1



**TUB DETAILS**  
SCALE: 1/8" = 1'-0"

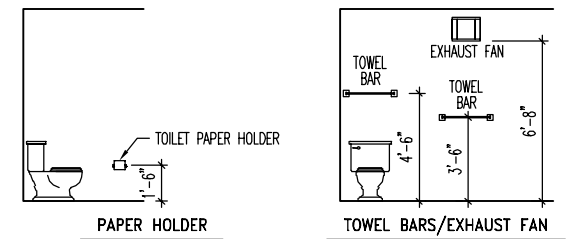
**SHOWER DETAILS**  
SCALE: 1/8" = 1'-0"

**STD. OWNER'S BATH DETAILS** (WITH SEPERATE SHOWER)  
SCALE: 1/8" = 1'-0"

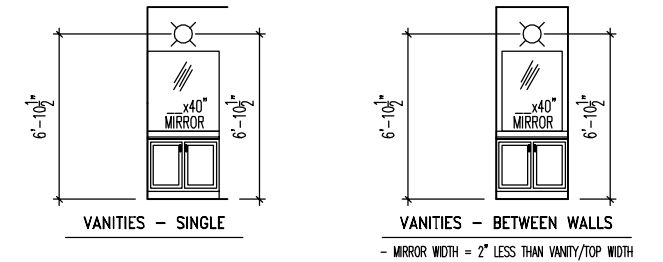


**JETTED TUB DETAILS**  
SCALE: 1/8" = 1'-0"

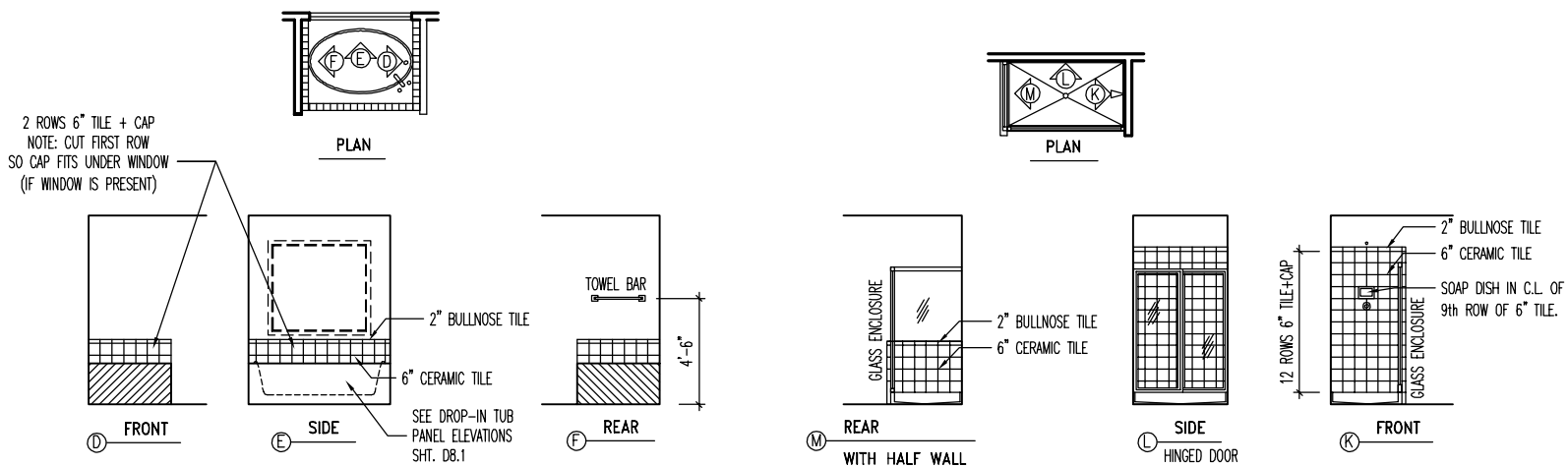
**JETTED OWNER'S BATH DETAILS**  
SCALE: 1/8" = 1'-0" (SHOWER UNITS SAME AS STD. BATH)



**PAPER HOLDER/TOWEL BARS**  
SCALE: 1/8" = 1'-0"



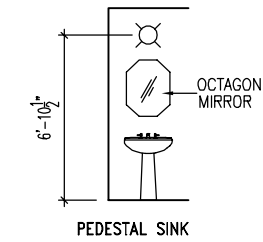
**VANITY DETAILS\***  
SCALE: 1/8" = 1'-0"  
\* (HALL BATH AND OWNER'S BATH ONLY)  
- MIRROR WIDTH = VANITY/TOP WIDTH  
- TOTAL VANITY WIDTH = LESS THAN 72" -- (1) LIGHT FIXTURE  
- TOTAL VANITY WIDTH = 72" OR MORE -- (2) LIGHT FIXTURE



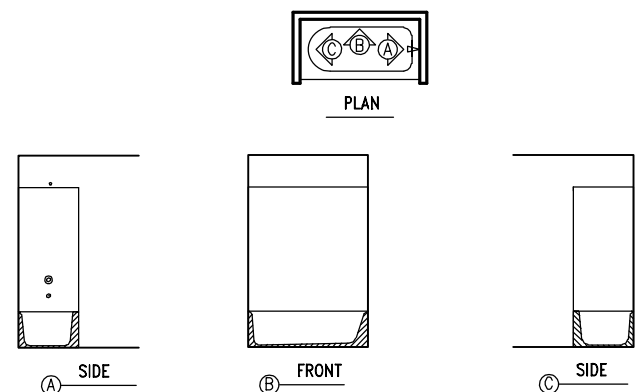
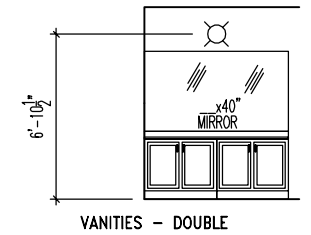
**TUB DETAILS** (JETTED TUBS SAME DETAILS)  
SCALE: 1/8" = 1'-0"

**SHOWER DETAILS**  
SCALE: 1/8" = 1'-0"

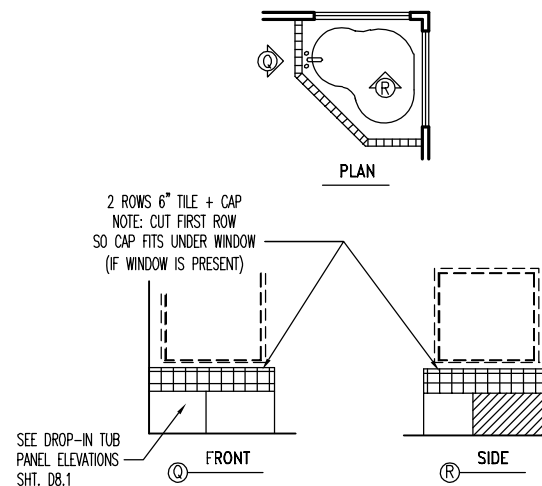
**DESIGNER OWNER'S BATH DETAILS**  
SCALE: 1/8" = 1'-0"



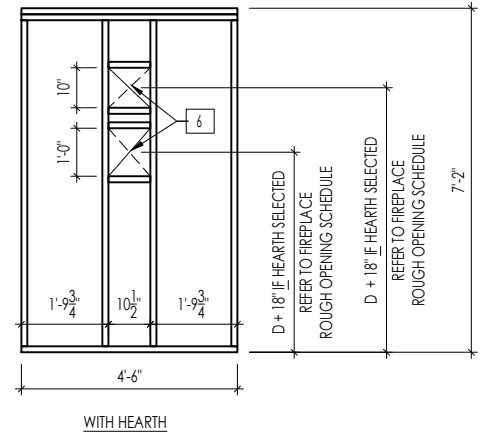
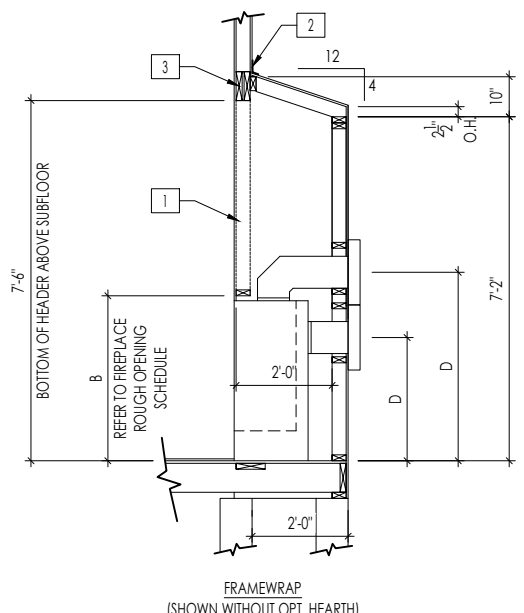
**PED SINK DETAILS\***  
SCALE: 1/8" = 1'-0"  
\*(STD. IN POWDER ROOMS)



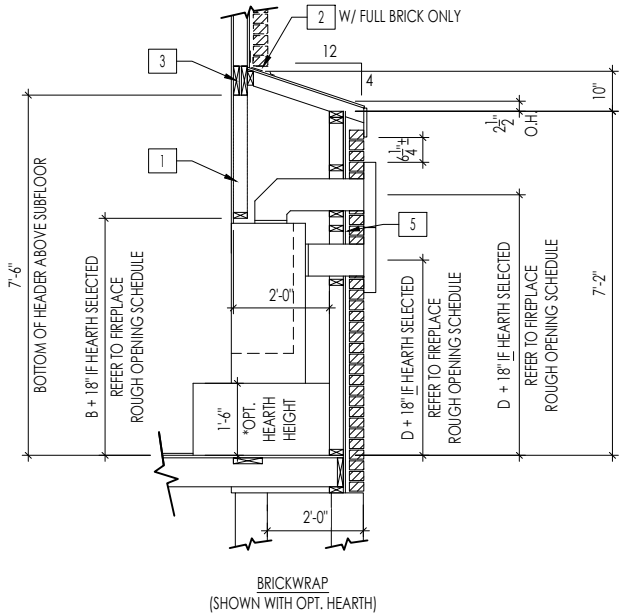
**HALL BATH (CONVENTIONAL TUB) DETAILS**  
SCALE: 1/8" = 1'-0"



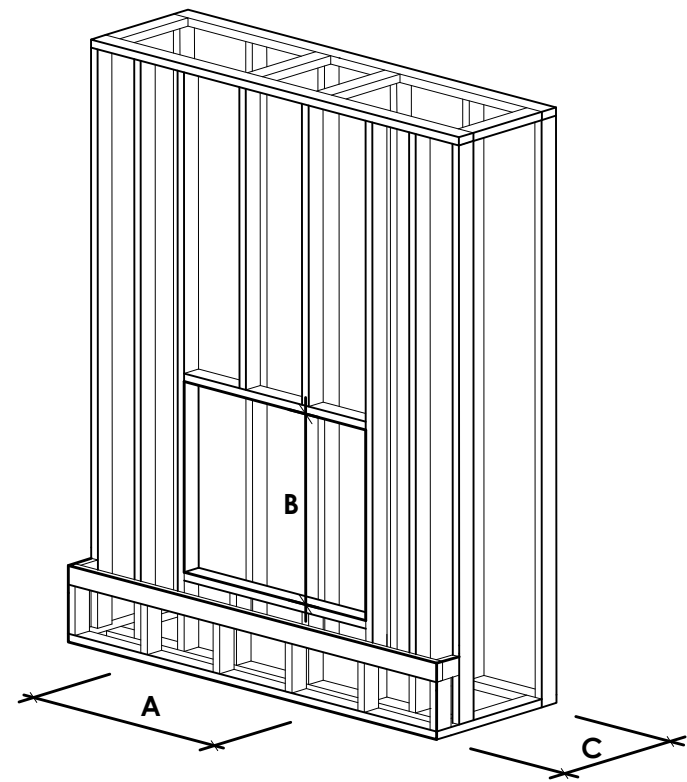
**CORNER TUB DETAIL**  
SCALE: 1/8" = 1'-0"



**DIRECT VENT REAR WALL FRAMING**  
SCALE: 1/4" = 1'-0"



**FIREPLACE DOGHOUSE SECTIONS**  
SCALE: 1/4" = 1'-0"



NOTE:  
PROVIDE OSB SHEATHING WHEN  
STONE VENEER SELECTED

FIREPLACE ROUGH OPENING SCHEDULE					
FIREPLACE MANUFACTURER	MODEL	A	B	C	D
		(FIREBOX REQUIRED WIDTH)	(FIREBOX REQUIRED HEIGHT) *ADD 18" W/ OPT. HEARTH	(FIREBOX REQUIRED DEPTH - INTERIOR REAR WALL TO FRONT EXTERIOR WALL)	(VENT CENTERLINE HEIGHT) *ADD 18" W/ OPT. HEARTH
HEAT & GLO	SLIMLINE SL-7	42"	38-1/4"	16-1/4"	TOP 40" SIDE 26-7/8"
	COSMO 42	49"	32-3/4"	17-3/4"	TOP ONLY 47-1/16"
HEARTH & HOME	COURTYARD 36	43-3/8"	44-1/8"	18-3/8"	SEE MANUFACTURER'S SPEC.
	COURTYARD 42	49-1/4"	44-1/8"	18-1/8"	SEE MANUFACTURER'S SPEC.
	LANAI *(NOT IN CINCY/NKY)	57-3/4"	39-1/2"	17-5/8"	SEE MANUFACTURER'S SPEC.
	RAVE	50"	40-1/4"	18-1/4"	TOP ONLY 46-1/2"

all dimensions are in inches

**General Notes**

- REFER TO SHEET ON.1 FOR GENERAL NOTES.
- VERIFY FIREPLACE MODEL AND HEARTH SELECTION WITH CUSTOMER'S SELECTIONS.

**Key Notes**

- FUTURE FRAMING FOR F.P. OPENING AFTER INSULATION HAS BEEN INSTALLED IN EXT. WALLS
- FLASHING
- HEADER PER PLAN
- 1" AIRSPACE
- BOX OUT FOR FLUE (REFER TO SELECTIONS FOR FIREPLACE AND OPENING HEIGHT)



**The Drees Company**  
211 Grandview Drive Fort Mitchell, Kentucky 41017 PH:(859) 578-4200  
Copyright © 2021, (2021) The Drees Company. All Rights Reserved. No portion of this material may be reproduced in any form or by any means, including photocopying, without the express written permission of the Drees Company. The Drees Company will vigorously prosecute any unauthorized use of this material.

**FIREPLACE DETAILS**

Std. Drawn By: MRPH  
Std. Date: 02.29.20  
Date of Last Rev: 7.21.2021

Sheet Description: FIREPLACE DETAIL  
SCALE: VARIES  
g:\architecture\cincinnati\civil standard drawings\fireplace\fireplace detail sheets.dwg

Sheet No.  
**F-1**



# RALEIGH WINDOW SCHEDULE

\* MEETS EMERGENCY ESCAPE & RESCUE  
OPENING REQUIREMENTS

Drees General Callout	Window Type	MI Windows and Doors Capitol Series		Call No.	Rough Opening	Drees General Callout	Call No.	Rough Opening	Call No.	Rough Opening
		Call No.	Rough Opening							
1660	SINGLE/DOUBLE HUNG	CW3500 1/8 x 6/0	20" x 60-1/4"							
1670	SINGLE/DOUBLE HUNG	CW3500 1/8 x 7/0	20" x 84"							
1860	SINGLE/DOUBLE HUNG	CW3500 1/8 x 6/0	20" x 60-1/4"							
2030	SINGLE/DOUBLE HUNG	CW3500 2/0 x 3/0	24" x 36"							
2040	SINGLE/DOUBLE HUNG	CW3500 2/0 x 4/0	24" x 48"							
2050	SINGLE/DOUBLE HUNG	CW3500 2/0 x 5/0	24" x 60-1/4"							
2060	SINGLE/DOUBLE HUNG	CW3500 2/0 x 6/0	24" x 72"							
2070	SINGLE/DOUBLE HUNG	CW3500 2/0 x 7/0	24" x 84"							
2430	SINGLE/DOUBLE HUNG	CW3500 2/4 x 3/0	28" x 36"							
2440	SINGLE/DOUBLE HUNG	CW3500 2/4 x 4/0	28" x 48"							
2450	SINGLE/DOUBLE HUNG	CW3500 2/4 x 5/0	28" x 60-1/4"							
2460	SINGLE/DOUBLE HUNG	CW3500 2/4 x 6/0	28" x 72"							
2830	SINGLE/DOUBLE HUNG	CW3500 2/8 x 3/0	32" x 36"							
2840	SINGLE/DOUBLE HUNG	CW3500 2/8 x 4/0	32" x 48"							
2850	SINGLE/DOUBLE HUNG	CW3500 2/8 x 5/0	32" x 60-1/4"							
* 2860	SINGLE/DOUBLE HUNG	CW3500 2/8 x 6/0	32" x 72"							
3030	SINGLE/DOUBLE HUNG	CW3500 3/0 x 3/0	36-1/4" x 36"							
3040	SINGLE/DOUBLE HUNG	CW3500 3/0 x 4/0	36-1/4" x 48"							
* 3050	SINGLE/DOUBLE HUNG	CW3500 3/0 x 5/0	36-1/4" x 60-1/4"							
* 3060	SINGLE/DOUBLE HUNG	CW3500 3/0 x 6/0	36-1/4" x 72"							
* 3070	SINGLE/DOUBLE HUNG	CW3500 3/0 x 7/0	36-1/4" x 84"							
* 3470	SINGLE/DOUBLE HUNG	CW3500 3/4 x 7/0	40" x 84"							
1050 FIXED		910T 5/0 x 1/0	59-5/8" x 11-1/2"							
1640 FIXED		910T 4/0 x 1/8	47-1/4" x 19-1/2"							
2020 FIXED		CW3500 2/0 x 2/0	24" x 24"							
2030 FIXED		CW3500SL 2/0 x 3/0	24" x 36"							
2040 FIXED		CW3500SL 2/0 x 4/0	24" x 48"							
2050 FIXED		CW3500SL 2/0 x 5/0	24" x 60-1/4"							
2816 FIXED		910TSL 2/6 x 1/8	29-1/4" x 19-1/2"							
2860 FIXED		CW3500 3/0 x 6/0	36" x 72"							
3016 FIXED		910TSL 3/0 x 1/8	35-1/4" x 19-1/2"							
3020 FIXED		910TSL 3/0 x 2/0	35-1/4" x 23-1/2"							
3030 FIXED		CW3500P 3/0 x 3/0	36-1/4" x 36"							
3040 FIXED		CW3500P 3/0 x 4/0	36-1/4" x 48"							
3050 FIXED		CW3500P 3/0 x 5/0	36-1/4" x 60-1/4"							
3060 FIXED		CW3500P 3/0 x 6/0	36-1/4" x 72"							
3070 FIXED		CW3500P 3/0 x 7/0	36-1/4" x 84"							
4010 FIXED		910T 4/0 x 1/0	47-1/4" x 11-1/2"							
4020 FIXED		910T 4/0 x 2/0	47-1/4" x 23-1/2"							
4030 FIXED		CW3500P 4/0 x 3/0	48" x 36"							
4040 FIXED		CW3500P 4/0 x 4/0	48" x 48"							
4044 FIXED		CW3500P 4/0 x 4/4	48" x 52"							
4050 FIXED		CW3500P 4/0 x 5/0	48" x 60-1/4"							
4060 FIXED		CW3500P 4/0 x 6/0	48" x 72"							
4070 FIXED		CW3500P 4/0 x 7/0	48" x 84"							
5030 FIXED		CW3500P 5/0 x 3/0	60" x 36"							
5040 FIXED		CW3500P 5/0 x 4/0	60" x 48"							
5060 FIXED		CW3500P 5/0 x 6/0	60" x 72"							
5070 FIXED		CW3500P 5/0 x 7/0	60" x 84"							
6020 FIXED		910T 6/0 x 2/0	71-5/8" x 23-1/2"							
6050 FIXED		CW3500P 6/0 x 5/0	72" x 60-1/4"							
6060 FIXED		CW3500P 6/0 x 6/0	72" x 72"							
3'-0" HALF ROUND		CW3500 3/0 HC	36-1/4"							
4'-0" HALF ROUND		CW3500 3/0 HC	48"							
5'-0" HALF ROUND		CW3500 3/0 HC	60"							
2020 OCTAGON		CW3500 2/0 OCT	24"							
2'-4" QUARTER ROUND		CW3500 2/4 QC	28"							
3'-0" QUARTER ROUND		CW3500 3/0 QC	36-1/4"							



**Drees Homes**  
 7701 Six Forks Road, Suite 132, Raleigh, NC 27615 PH:(919) 844-9288  
 Copyright © 2008, (2013) The Drees Company. All Rights Reserved. No portion of this material may be reproduced in any form or by any means, including photocopying, without the express written permission of the Drees Company. The Drees Company will vigorously prosecute any unauthorized use of this material.

Sheet Description:  
**WINDOW SCHEDULE**

Sheet No.  
**SC-01**

# MOULDED MILLWORK SCHEDULE

LAST REVISED 11/22/17

HEADERS		
Drees General Callout	Nuwood	Fypon
ARCHED HEADER D1	H8xxEFR	N/A
ARCHED HEADER D1K	H8xxEFKR	N/A
ARCHED HEADER D2	H8xxEFTR	N/A
ARCHED HEADER D2K	H8xxEFTKR	N/A
ARCHED HEADER D3	AH10xx	WCHSEGxxX10
ARCHED HEADER D3K	N/A	WCHSEGxxX10K
ARCHED HEADER D4	AR5xx	ARxxX6M
ARCHED HEADER D4K	AR5xxK	ARxxX6MK
ARCHED HEADER D5	AR10xxEC	ARxxX6METAR6C
ARCHED HEADER D5K	AR10xxECK	ARxxX6METAR6CK
ARCHED HEADER D6	AR10xxC	ARxxX10MC
ARCHED HEADER D6K	AR10xxCK	ARxxX10MCK
ARCHED HEADER D7K	H7xxEF-4K	N/A
ARCHED HEADER D8	AR14xxC	ARxxX14MC
ARCHED HEADER D8K	AR14xxCK	ARxxX14MCK
ARCHED HEADER D9	H9xxE	WCHAR5xx13
CROSSHEAD A1	H9xx	WCHxxX9N
CROSSHEAD A1K	H9xxK	WCHxxX9NK
CROSSHEAD B1	H14xxBT	WCHxxX14BT
CROSSHEAD B1K	H14xxBTK	WCHxxX14BTK
CROSSHEAD B2	H12xx	WCHxxX12
CROSSHEAD B2K	H12xxK	WCHxxX12K
CROSSHEAD C1	H18xxBT	WCHxxX14BT
CROSSHEAD C1K	H18xxBTK	WCHxxX14BTK
CROSSHEAD C2	H18xxBT-PA	LDCHxxX18
CROSSHEAD C2K	H18xxBTK-PA	LDCHxxX18K
CROSSHEAD Z-E1-HDR	Z-E1-HDR	Z-E1-HDR
CROSSHEAD Z-E2-HDR	Z-E2-HDR	Z-E2-HDR
CROSSHEAD Z-E3-HDR	Z-E3-HDR	Z-E3-HDR
CROSSHEAD Z-E3-ARCHHDR	Z-E3-ARCHHDR	Z-E3-ARCHHDR
CROSSHEAD Z-E3-CLHDR	Z-E3-CLHDR	Z-E3-CLHDR
CROSSHEAD Z-E5-HDR	Z-E5-HDR	Z-E5-HDR
WINDOW HEADER A1	H6xx	WCHxxX6
WINDOW HEADER A1K	H6xxK	WCHxxX6K
WINDOW HEADER B1	H9xx-2	WCHxxX9N
WINDOW HEADER B1K	H9xx-2K	WCHxxX9NK
WINDOW HEADER B2	H9xxBT	WCHxxX10NBT
WINDOW HEADER B2K	H9xxBTK	WCHxxX10NBTK
WINDOW HEADER C1	H9xx	CCAxX10
WINDOW HEADER C1K	H9xxK	CCAxX10K
WINDOW HEADER C2	H9xxT	WCHxxX9T
WINDOW HEADER C2K	H9xxTK	WCHxxX9TK
WINDOW HEADER C3	H12xxBT	WCHxxX10BT
WINDOW HEADER C3K	H12xxBTK	WCHxxX10BTK
WINDOW HEADER C4	H14xxBT	WCHxxX14BT
WINDOW HEADER D1	H7xxF-4	N/A
WINDOW HEADER D1K	H7xxF-4K	N/A
WINDOW HEADER D2K	H9xxK-1	N/A
WINDOW HEADER Z-W1	Z-W1	Z-W1
WINDOW HEADER Z-W3	Z-W3	Z-W3
WINDOW HEADER Z-W3K	Z-W3K	Z-W3K
WINDOW HEADER Z-W3D	Z-W3D	Z-W3D
WINDOW HEADER Z-W4	Z-W4	Z-W4
WINDOW HEADER Z-W4K	Z-W4K	Z-W4K

PILASTERS		
Drees General Callout	Nuwood	Fypon
FLUTED PILASTER A1	PL7xxF	PIL7Xxx
FLUTED PILASTER B1	PL9xxF	PIL9Xxx
FLUTED PILASTER C1	PL11xxFM	PIL11Xxx
PANEL PILASTER A2	PL7xxP	PIL7XxxDP
PANEL PILASTER B2	PL9xxP	PIL9XxxDP
PANEL PILASTER C2	PL11xxPM	PIL11XxxDP
PILASTER D1	M311-9	PIL10XxxA
PILASTER D2	M323-9	N/A
PILASTER Z-E1-PIL	Z-E1-PIL	Z-E1-PIL
PILASTER Z-E2-PIL	Z-E2-PIL	Z-E2-PIL
PILASTER Z-E3-PIL	Z-E3-PIL	Z-E3-PIL
PILASTER Z-PIL-EXT	Z-PIL-EXT	Z-PIL-EXT
PLAIN PILASTER A3	PL7xxS	PIL7XxxP
PLAIN PILASTER B3	PL9xxS	PIL9XxxP
PLAIN PILASTER C3	PL11xxS	PIL11XxxP
PLINTH D1	PF10	ADD "P" TO END OF PILASTER
PLINTH D2	P14.5	N/A

LOUVERS			
Drees General Callout	Nuwood	Fypon	Mid-America
CATHEDRAL LOUVER D1	CLV1224	CLV12X24	--
CATHEDRAL LOUVER D1T	CLV1224TRIM4	CLV12X24X4F	--
CATHEDRAL LOUVER D2	CLV1432	CLV14X32	--
CATHEDRAL LOUVER D2T	CLV1432TRIM4	CLV14X32X4F	00 44 1422
CATHEDRAL LOUVER D3	CLV2232	CLV22X32	--
CATHEDRAL LOUVER D3T	CLV2232TRIM4	CLV22X32X4F	--
HALF CIRCLE LOUVER D1	HRLV32	HRLV32X16	--
HALF CIRCLE LOUVER D1T	HRLV32TRIM4	HRLV32X4F	--
HALF CIRCLE LOUVER D2	HRLV36	HRLV36X18	--
HALF CIRCLE LOUVER D2T	HRLV36TRIM4	HRLV36X4F	00 43 2234
OCTAGONAL LOUVER D1	OLV24	OLV24	--
OCTAGONAL LOUVER D12	OLV24TRIM4	OLV24X4F	--
OVAL LOUVER D1	OLV2537	OLV37X25	--
OVAL LOUVER D1T	OLV2537TRIM4	OLV37X25X4F	--
RECTANGULAR LOUVER D1	LV1224V	LV12X24	00 45 1218
RECTANGULAR LOUVER D1T	LV1224VTRIM4	LV12X24-4F	00 45 1218
RECTANGULAR LOUVER D2	LV1636V	LV16X36	--
RECTANGULAR LOUVER D2T	LV1636VTRIM4	LV16X36-4F	--
RECTANGULAR LOUVER D3	LV2436V	LV24X36	--
RECTANGULAR LOUVER D3T	LV2436VTRIM4	LV24X36-4F	--
RECTANGULAR LOUVER D4	LV2424V	LV24X24	--
RECTANGULAR LOUVER D4T	LV2424VTRIM4	LV24X24-4F	--
ROUND LOUVER D1	RLV18	RLV18	--
ROUND LOUVER D1T	RLV18TRIM4	RLV18X4F	--
ROUND LOUVER D2	RLV22	RLV22	--
ROUND LOUVER D2T	RLV22TRIM4	RLV22X4F	--
TRIANGULAR LOUVER D1	--	TRLVxxX36	00 47 0x0x

BRACKETS		
Drees General Callout	Nuwood	Fypon
EXTERIOR BRACKET D1	BR437	N/A
EXTERIOR BRACKET D2	DB102	DTLB6X4X6
EXTERIOR BRACKET D3	BR304 (7" WIDE)	BKT24X24X7
EXTERIOR BRACKET D4	BR455	N/A
EXTERIOR BRACKET D5	BR300-1	BKT12X12X6
EXTERIOR BRACKET D6	BR300	BKT12X12
EXTERIOR BRACKET D7	BR409	BKT16X18X3
EXTERIOR BRACKET D8	BR413	DTLB5X5X3
EXTERIOR BRACKET D9	TBD	BKT11X20
EXTERIOR BRACKET D10	TBD	BKT12X24X3
EXTERIOR BRACKET D11	BR435	BKT25X27
EXTERIOR BRACKET D12	BR404	BKT16X30X4
EXTERIOR BRACKET D13	BR23.13x10.13x5.5	N/A
GABLE BRACKET D1	TBD	DTLB6X4X6R(OR L)PITCH
GABLE BRACKET D2	BR423-x:12	BKT5X20
GABLE BRACKET D3	BR424-x:12	BKT5X20 (CUT 2" PROJECTION)

MOULDINGS		
Drees General Callout	Nuwood	Fypon
BAND MOULD D1	M210-16	MLD612-12
BAND MOULD D2	M301-16	MLD220-16
BARGE MOULD D1	WM210	WM210
CASE MOULD D1	M320-16	MLD226-16
CASE MOULD D2	N/A	MLD244-12
CROWN MOULD D1	M404-16	MLD572-16
DENTIL MOULD D1	M105-16	MLD310-16
DENTIL MOULD D2	M108-8	MLD353-8
HALF ROUND MOULD D1	N/A	MLD605-12
PANEL MOULD D1	M310-8 OR 16	MLD612-12

PEDIMENTS / COMBO HEADERS		
Drees General Callout	Nuwood	Fypon
BROW COMBO D1	BCxx	CSAPxx
PEAK PEDIMENT D1	Pxx-4 (6:12)	PCPxx
PEAK PEDIMENT Z-E1-PED	Z-E1-PED	Z-E1-PED
PEAKED COMBO D1	PCxx-4	CPCPxx
RAMS HEAD PEDIMENT D1	Rxx	RHPxx00
ROUND PEDIMENT D1	Bxx-4	PSPxx
SUNRISE COMBO D1	SCxx-4	CSPxx
VICTORIAN PEDIMENT D1	VPxx	DVPxx w/ SWDHxxXxx

WINDOW DECORATION		
Drees General Callout	Nuwood	Fypon
HALF CIRCLE SUNBURST D1	SPxxxx	SWDHxxXxx
PALLADIAN WINDOW D1	H9AR10-xx xx" FL/FR	ARxxX10MFLxxx
PALLADIAN WINDOW D1K	H9AR10-xxK xx" FL/FR	ARxxX10MFLxxx with K10TM
PALLADIAN WINDOW D2	H9AR10SPxxxx	ARxxX10MFLxxx with SWDHxxXxx
PALLADIAN WINDOW D2K	H9AR10SPxxxxK	ARxxX10MFLxxx with SWDHxxXxx and K10TM
PEAKED CAP HEADER D1	N/A	CHPCxxX15
PLAIN SEGMENT D1	SPxxxxP	PSPxx
SEGMENT SUNBURST D1	SPxxxx	SWDHxxXxx

ACCESSORIES		
Drees General Callout	Nuwood	Fypon
GABLE D1	PGDx12	GPA (width X height)
KEystone D1	KY14F-3	KY14
KEystone D2	KYHM9F	K9M
WREATH D1	N/A	WAB34



Copyright © 2008, (2017) The Drees Company. All Rights Reserved. No portion of this material may be reproduced in any form or by any means, including photocopying, without the express written permission of the Drees Company. The Drees Company will vigorously prosecute any unauthorized use of this material.

Sheet Description:

MOULDED MILLWORK SCHEDULE

Sheet No.

SC-02