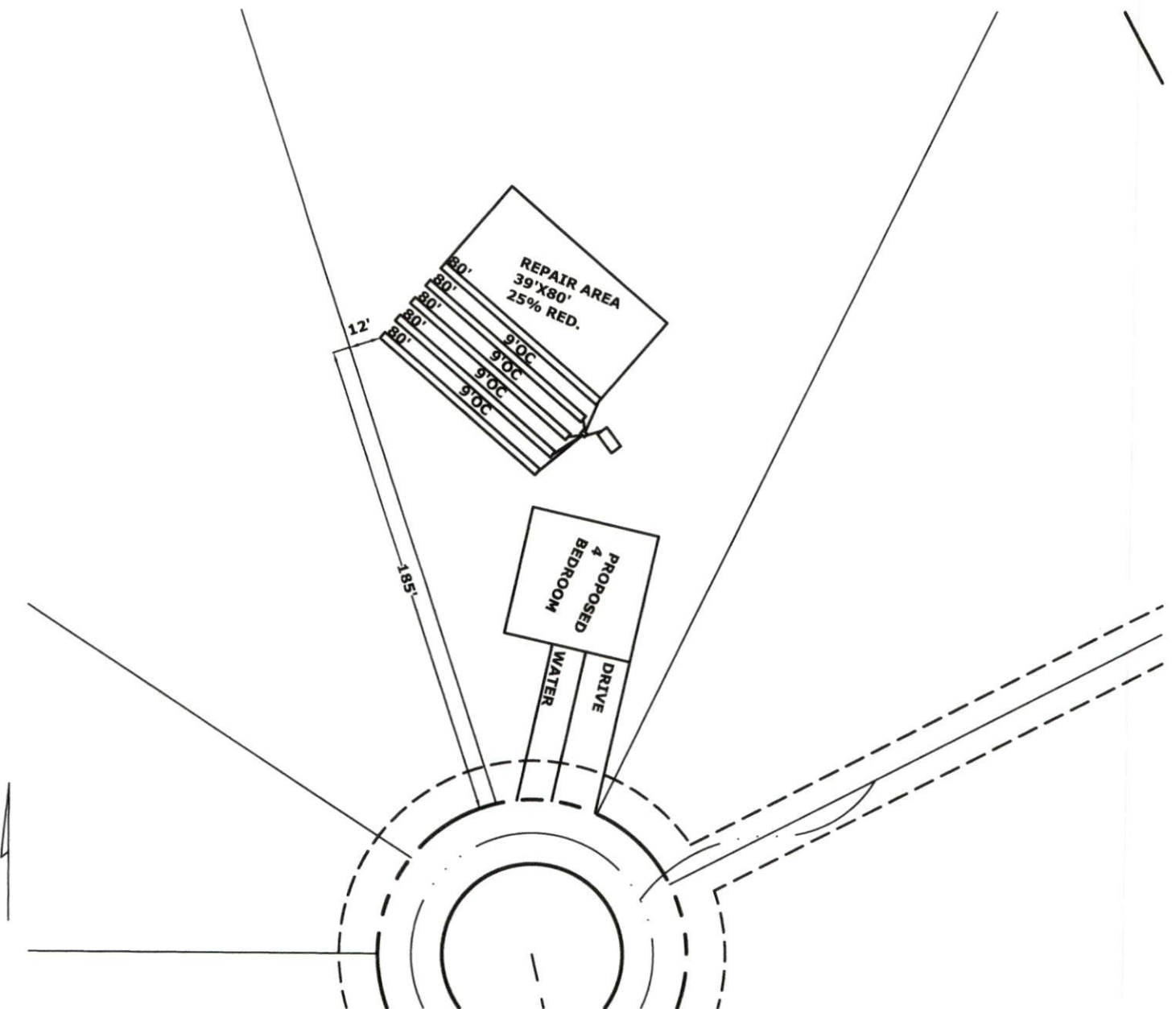


Owner: HAVEN S/D .  
Address: LOT 25 .  
Location: PLACID POND DRIVE .

**PITTMAN SOIL CONSULTING**  
**PO BOX 1387**  
**RICHLANDS, NC 28574**  
**910-330-2784**  
**pittmansoil@yahoo.com**



**INITIAL**  
4 BEDROOM  
LTAR .3  
5-80' 25% REDUCTION LINES  
12-16" TB  
>6" SOIL COVER REQUIRED OVER  
SYSTEM AND 5' BEYOND SYSTEM

**REPAIR AREA**  
4 BEDROOM  
LTAR .3  
5-80' 25% REDUCTION LINES  
12" TB  
>6" SOIL COVER REQUIRED OVER  
SYSTEM AND 5' BEYOND SYSTEM



**APPROX SCALE 1"=60'**