

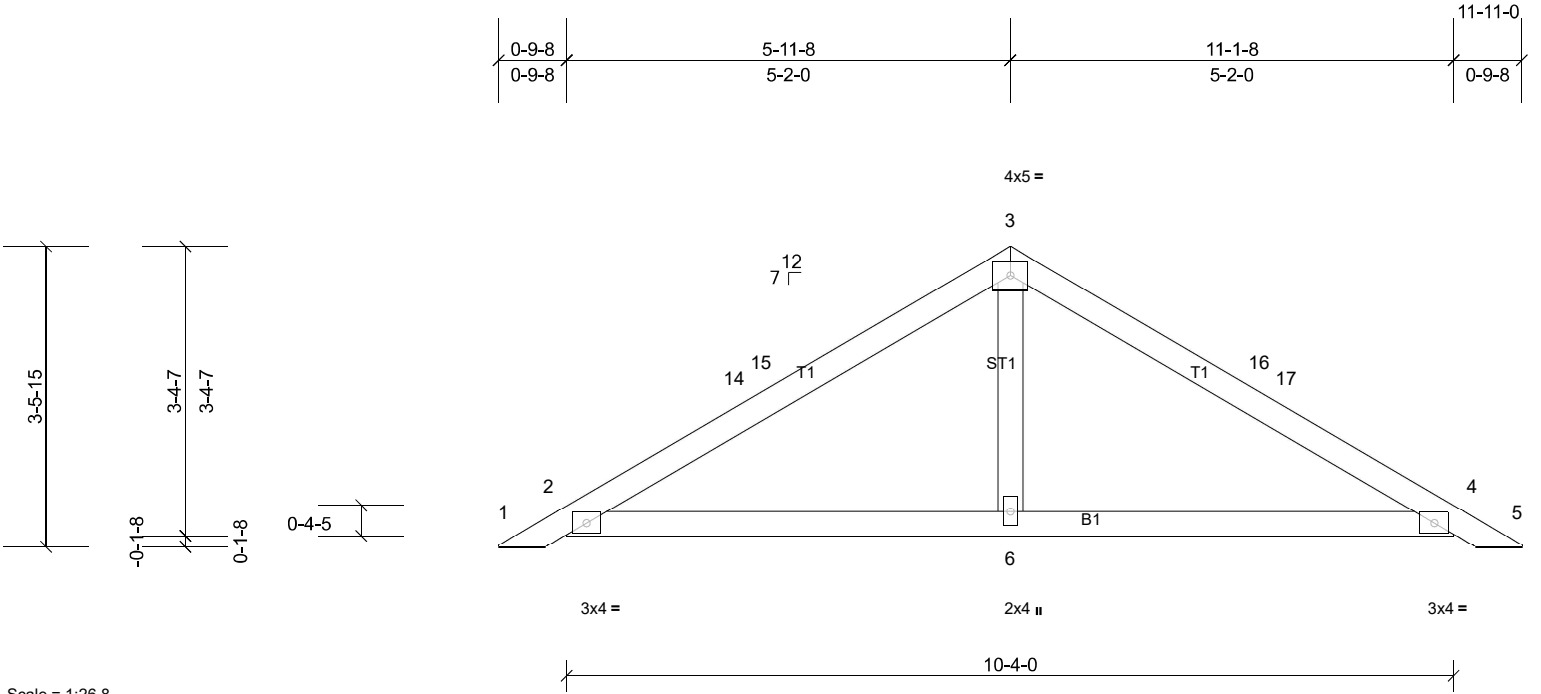
Job Q-2101675-1	Truss CAP1	Truss Type Piggyback	Qty 2	Ply 1	Ellington Crawl V5-Roof Job Reference (optional)
--------------------	---------------	-------------------------	----------	----------	---

Peak Truss Builders LLC, New Hill, user

Run: 8.43 S Feb 3 2021 Print: 8.430 S Feb 3 2021 MiTek Industries, Inc. Wed Jul 28 09:30:45

Page: 1

ID:9nYR9t9peBPUMEDCUUTTzizqTae-iuTO5ZeZ85SMbNmB7czuJCOJWWWXmwClxcae0ybt7u



Scale = 1:26.8

Loading	(psf)	Spacing	2-0-0	CSI	DEFL	in	(loc)	l/defl	L/d	PLATES	GRIP	
TCLL (roof)	20.0	Plate Grip DOL	1.15	TC	0.23	Vert(LL)	n/a	-	n/a	999	MT20	244/190
TCDL	10.0	Lumber DOL	1.15	BC	0.21	Vert(CT)	n/a	-	n/a	999		
BCLL	0.0*	Rep Stress Incr	YES	WB	0.05	Horz(CT)	0.00	11	n/a	n/a		
BCDL	10.0	Code	IBC2015/TPI2014	Matrix-MS							Weight: 40 lb	FT = 20%

LUMBER

TOP CHORD 2x4 SP No.1
 BOT CHORD 2x4 SP No.1
 OTHERS 2x4 SP No.3

BRACING

TOP CHORD
 BOT CHORD

Structural wood sheathing directly applied or 6'-0" oc purlins.
 Rigid ceiling directly applied or 10'-0" oc bracing.

MiTek recommends that Stabilizers and required cross bracing be installed during truss erection, in accordance with Stabilizer Installation guide.

REACTIONS All bearings 10'-4"-0."

- (lb) - Max Horiz 2=-55 (LC 9), 7=-55 (LC 9)
- Max Uplift All uplift 100 (lb) or less at joint(s) 2, 4, 7, 11
- Max Grav All reactions 250 (lb) or less at joint(s) except 2=261 (LC 1), 4=261 (LC 1), 6=368 (LC 1), 7=261 (LC 1), 11=261 (LC 1)

FORCES (lb) - Max. Comp./Max. Ten. - All forces 250 (lb) or less except when shown.

NOTES

- Unbalanced roof live loads have been considered for this design.
- Wind: ASCE 7-10; Vult=115mph (3-second gust) Vasd=91mph; TC DL=6.0psf; BC DL=6.0psf; h=30ft; B=20ft; L=20ft; eave=4ft; Cat. II; Exp B; Enclosed; MWFRS (directional) and C-C Exterior (2) 0-3-11 to 3-3-11, Interior (1) 3-3-11 to 5-11-15, Exterior (2) 5-11-15 to 8-11-15, Interior (1) 8-11-15 to 11-8-3 zone; cantilever left and right exposed; end vertical left and right exposed; C-C for members and forces & MWFRS for reactions shown; Lumber DOL=1.60 plate grip DOL=1.60
- Truss designed for wind loads in the plane of the truss only. For studs exposed to wind (normal to the face), see Standard Industry Gable End Details as applicable, or consult qualified building designer as per ANSI/TPI 1.
- Gable requires continuous bottom chord bearing.
- Gable studs spaced at 2'-0" oc.
- * This truss has been designed for a live load of 20.0psf on the bottom chord in all areas where a rectangle 3'-0" tall by 2'-0" wide will fit between the bottom chord and any other members.
- Provide mechanical connection (by others) of truss to bearing plate capable of withstanding 100 lb uplift at joint(s) 2, 4, 2, 4.
- This truss is designed in accordance with the 2015 International Building Code section 2306.1 and referenced standard ANSI/TPI 1.
- See Standard Industry Piggyback Truss Connection Detail for Connection to base truss as applicable, or consult qualified building designer.

LOAD CASE(S) Standard

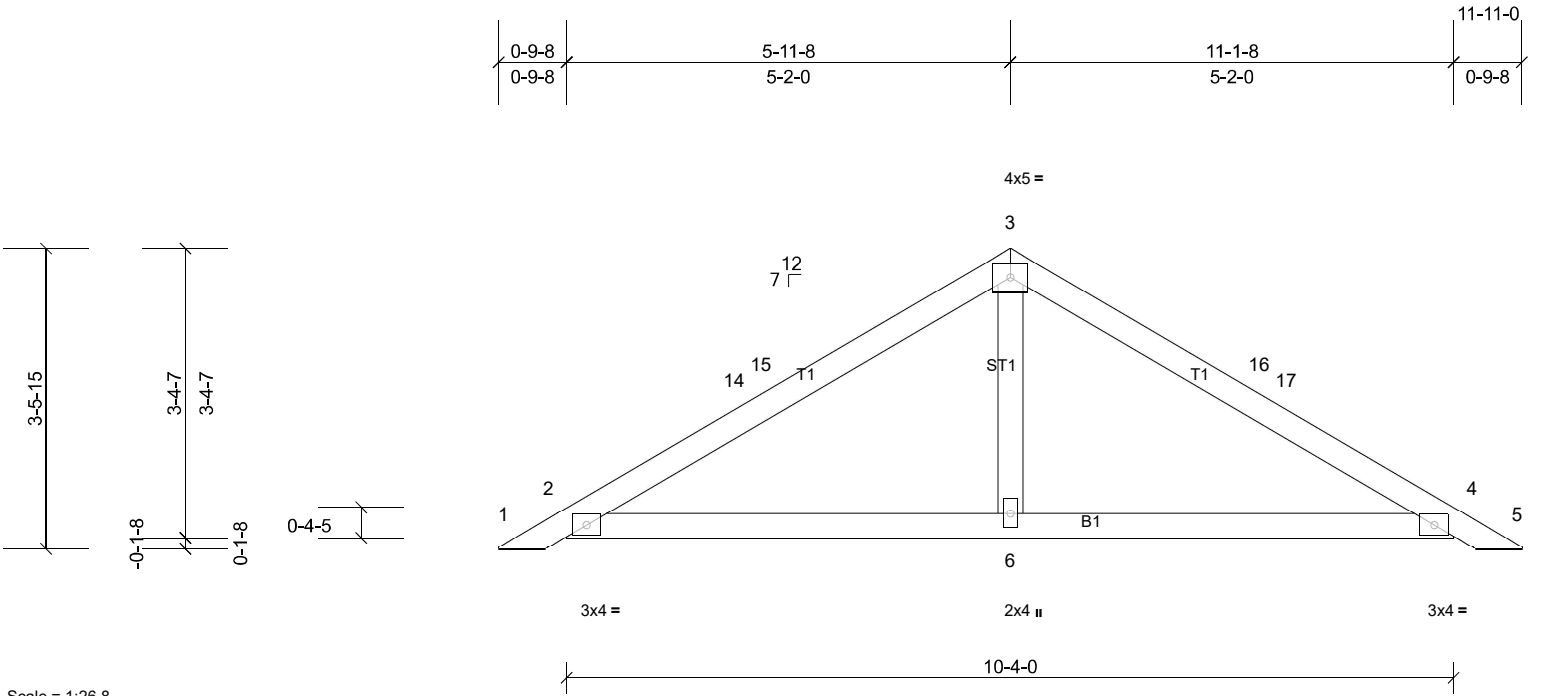
Job Q-2101675-1	Truss CAP2	Truss Type Piggyback	Qty 19	Ply 1	Ellington Crawl V5-Roof Job Reference (optional)
--------------------	---------------	-------------------------	-----------	----------	---

Peak Truss Builders LLC, New Hill, user

Run: 8.43 S Feb 3 2021 Print: 8.430 S Feb 3 2021 MiTek Industries, Inc. Wed Jul 28 09:30:46

Page: 1

ID:9nYR9t9peBPUMEDCUUTTzizqTae-A51mJvfBvPaDCWLNhJV7rPwUGwGmUNSuAGJC7Sytb7t



Scale = 1:26.8

Loading	(psf)	Spacing	2-0-0	CSI	DEFL	in	(loc)	l/defl	L/d	PLATES	GRIP	
TCLL (roof)	20.0	Plate Grip DOL	1.15	TC	0.23	Vert(LL)	n/a	-	n/a	999	MT20	244/190
TCDL	10.0	Lumber DOL	1.15	BC	0.21	Vert(CT)	n/a	-	n/a	999		
BCLL	0.0*	Rep Stress Incr	YES	WB	0.05	Horz(CT)	0.00	11	n/a	n/a		
BCDL	10.0	Code	IBC2015/TPI2014	Matrix-MS							Weight: 40 lb	FT = 20%

LUMBER

TOP CHORD 2x4 SP No.1
 BOT CHORD 2x4 SP No.1
 OTHERS 2x4 SP No.3

BRACING

TOP CHORD
 BOT CHORD

Structural wood sheathing directly applied or 6'-0" oc purlins.
 Rigid ceiling directly applied or 10'-0" oc bracing.

MiTek recommends that Stabilizers and required cross bracing be installed during truss erection, in accordance with Stabilizer Installation guide.

REACTIONS All bearings 10'-4"-0."

- (lb) - Max Horiz 2=-55 (LC 9), 7=-55 (LC 9)
- Max Uplift All uplift 100 (lb) or less at joint(s) 2, 4, 7, 11
- Max Grav All reactions 250 (lb) or less at joint(s) except 2=261 (LC 1), 4=261 (LC 1), 6=368 (LC 1), 7=261 (LC 1), 11=261 (LC 1)

FORCES (lb) - Max. Comp./Max. Ten. - All forces 250 (lb) or less except when shown.

NOTES

- 1) Unbalanced roof live loads have been considered for this design.
- 2) Wind: ASCE 7-10; Vult=115mph (3-second gust) Vasd=91mph; TC DL=6.0psf; BC DL=6.0psf; h=30ft; B=20ft; L=20ft; eave=4ft; Cat. II; Exp B; Enclosed; MWFRS (directional) and C-C Exterior (2) 0-3-11 to 3-3-11, Interior (1) 3-3-11 to 5-11-15, Exterior (2) 5-11-15 to 8-11-15, Interior (1) 8-11-15 to 11-8-3 zone; cantilever left and right exposed; end vertical left and right exposed; C-C for members and forces & MWFRS for reactions shown; Lumber DOL=1.60 plate grip DOL=1.60
- 3) Truss designed for wind loads in the plane of the truss only. For studs exposed to wind (normal to the face), see Standard Industry Gable End Details as applicable, or consult qualified building designer as per ANSI/TPI 1.
- 4) Gable requires continuous bottom chord bearing.
- 5) Gable studs spaced at 4'-0" oc.
- 6) * This truss has been designed for a live load of 20.0psf on the bottom chord in all areas where a rectangle 3'-0" tall by 2'-0" wide will fit between the bottom chord and any other members.
- 7) Provide mechanical connection (by others) of truss to bearing plate capable of withstanding 100 lb uplift at joint(s) 2, 4, 2, 4.
- 8) This truss is designed in accordance with the 2015 International Building Code section 2306.1 and referenced standard ANSI/TPI 1.
- 9) See Standard Industry Piggyback Truss Connection Detail for Connection to base truss as applicable, or consult qualified building designer.

LOAD CASE(S) Standard

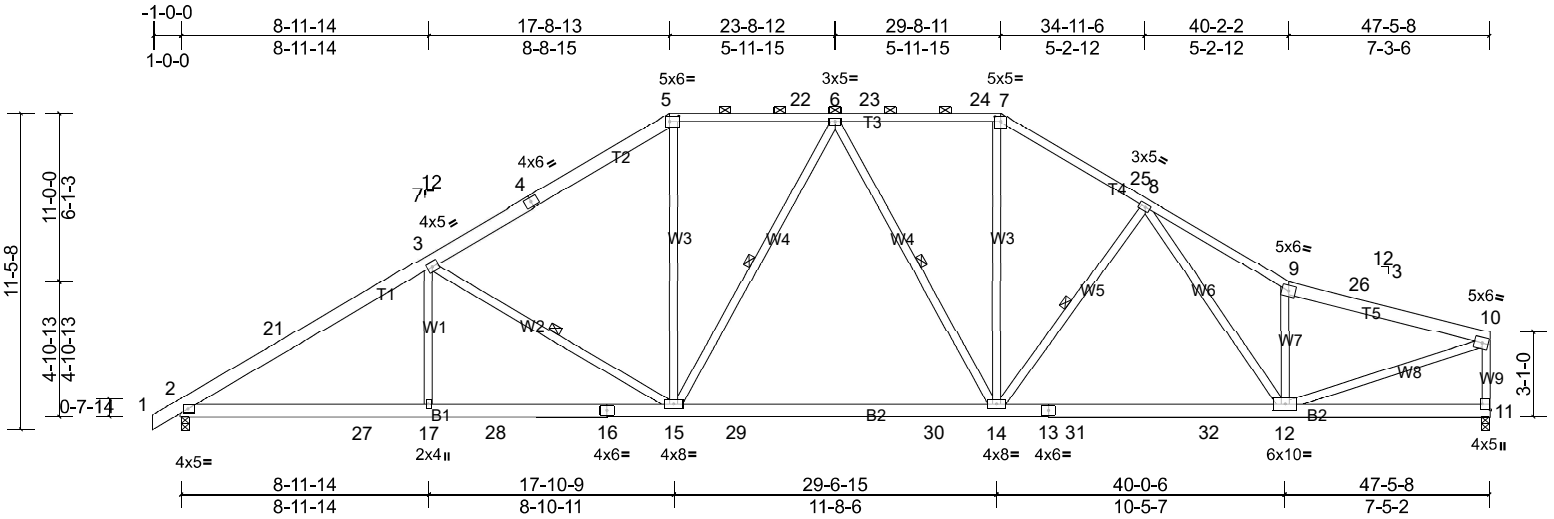
Job Q-2101675-1	Truss T1	Truss Type Piggyback Base	Qty 1	Ply 1	Ellington Crawl V5-Roof Job Reference (optional)
--------------------	-------------	------------------------------	----------	----------	---

Peak Truss Builders LLC, New Hill, user

Run: 8.43 S Feb 3 2021 Print: 8.430 S Feb 3 2021 MiTek Industries, Inc. Wed Jul 28 09:30:47

Page: 1

ID:c5mszZ7_8nwaYRnvRDyUWGzs97b-eHb8WFgqgj4qgwaF00MOdTYEKSfDgk1Pw3lgytb7s



Scale = 1:83.6

Plate Offsets (X, Y): [5:0-4-0,0-2-4], [7:0-2-8,0-2-1], [11:Edge,0-3-8]

Loading	(psf)	Spacing	2-0-0	CSI	DEFL	in	(loc)	l/defl	L/d	PLATES	GRIP	
TCLL (roof)	20.0	Plate Grip DOL	1.15	TC	0.66	Vert(LL)	-0.28	14-15	>999	240	MT20	244/190
TCDL	10.0	Lumber DOL	1.15	BC	0.87	Vert(CT)	-0.50	14-15	>999	180		
BCLL	0.0*	Rep Stress Incr	YES	WB	0.69	Horz(CT)	0.10	11	n/a	n/a		
BCDL	10.0	Code	IBC2015/TPI2014	Matrix-MS								Weight: 350 lb FT = 20%

LUMBER

TOP CHORD 2x6 SP No.2 *Except* T3,T4:2x4 SP No.1
 BOT CHORD 2x6 SP No.2
 WEBS 2x4 SP No.3 *Except* W8:2x4 SP No.2

REACTIONS (lb/size) 2=1953/0-3-8, (min. 0-3-3), 11=1892/0-3-8, (min. 0-3-0)
 Max Horiz 2=199 (LC 10)
 Max Uplift 2=-198 (LC 11), 11=-168 (LC 11)
 Max Grav 2=2035 (LC 19), 11=1919 (LC 20)

FORCES

(lb) - Max. Comp./Max. Ten. - All forces 250 (lb) or less except when shown.
 TOP CHORD 2-21=-3337/289, 3-21=-3146/320, 3-4=-2586/296, 4-5=-2470/328, 5-22=-2140/331, 6-22=-2140/331, 6-23=-2143/327,
 23-24=-2143/327, 7-24=-2143/327, 7-25=-2521/343, 8-25=-2533/311, 8-9=-3181/380, 9-26=-2803/268, 10-26=-2863/257,
 10-11=-1858/199
 BOT CHORD 2-27=-202/2902, 17-27=-202/2902, 17-28=-202/2902, 16-28=-202/2902, 15-16=-202/2902, 15-29=-65/2254,
 29-30=-65/2254, 14-30=-65/2254, 13-14=-131/2403, 13-31=-131/2403, 31-32=-131/2403, 12-32=-131/2403
 WEBS 5-15=-30/923, 6-15=-376/74, 6-14=-383/73, 7-14=-71/984, 8-14=-531/177, 8-12=-58/521, 9-12=-1171/232,
 3-15=-849/198, 3-17=0/298, 10-12=-197/2817

NOTES

- Unbalanced roof live loads have been considered for this design.
- Wind: ASCE 7-10; Vult=115mph (3-second gust) Vasd=91mph; TCDL=6.0psf; BCDL=6.0psf; h=30ft; B=20ft; L=47ft; eave=6ft; Cat. II; Exp B; Enclosed; MWFRS (directional) and C-C Exterior (2) -1-0-0 to 3-8-15, Interior (1) 3-8-15 to 17-8-13, Exterior (2) 17-8-13 to 22-5-12, Interior (1) 22-5-12 to 29-8-11, Exterior (2) 29-8-11 to 34-5-10, Interior (1) 34-5-10 to 47-3-12 zone; cantilever left and right exposed; end vertical left and right exposed; C-C for members and forces & MWFRS for reactions shown; Lumber DOL=1.60 plate grip DOL=1.60
- Provide adequate drainage to prevent water ponding.
- * This truss has been designed for a live load of 20.0psf on the bottom chord in all areas where a rectangle 3-06-00 tall by 2-00-00 wide will fit between the bottom chord and any other members, with BCDL = 10.0psf.
- Provide mechanical connection (by others) of truss to bearing plate capable of withstanding 198 lb uplift at joint 2 and 168 lb uplift at joint 11.
- This truss is designed in accordance with the 2015 International Building Code section 2306.1 and referenced standard ANSI/TPI 1.
- Graphical purlin representation does not depict the size or the orientation of the purlin along the top and/or bottom chord.

LOAD CASE(S) Standard

MiTek recommends that Stabilizers and required cross bracing be installed during truss erection, in accordance with Stabilizer Installation guide.

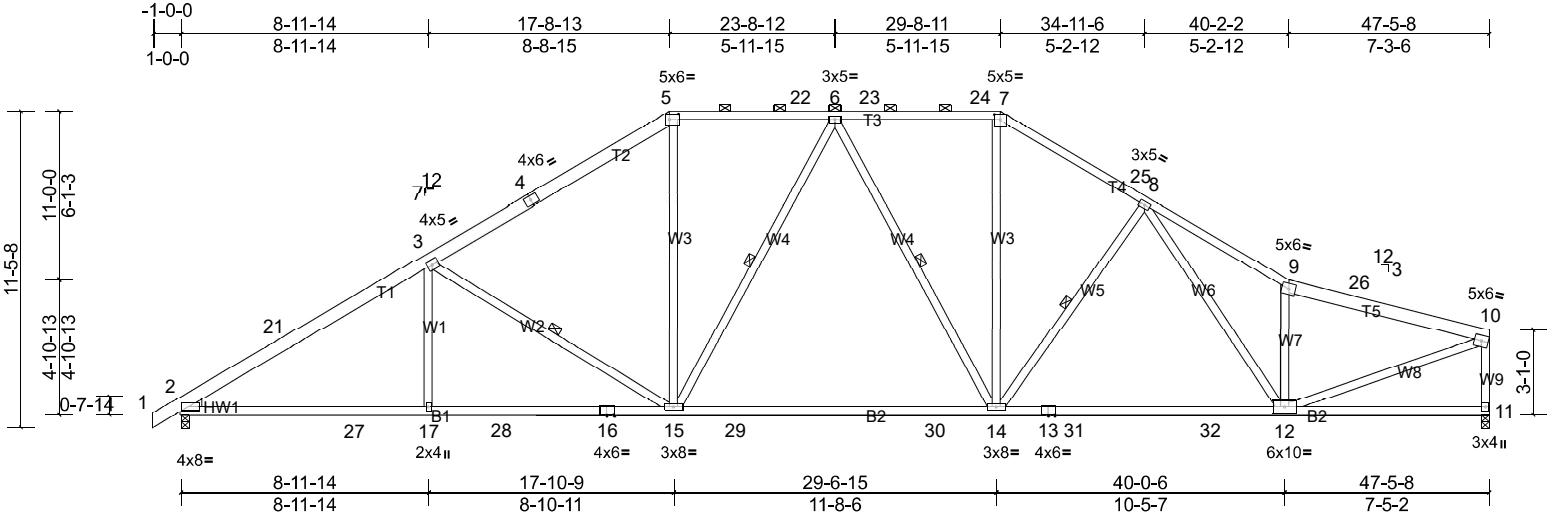
Job Q-2101675-1	Truss T1A	Truss Type Piggyback Base	Qty 2	Ply 1	Ellington Crawl V5-Roof Job Reference (optional)
--------------------	--------------	------------------------------	----------	----------	---

Peak Truss Builders LLC, New Hill, user

Run: 8.43 S Feb 3 2021 Print: 8.430 S Feb 3 2021 MiTek Industries, Inc. Wed Jul 28 09:30:47

Page: 1

ID:c5mszZ7_8nwaYRnvRDyUWGzs97b-eHb8WFGqgj4qgwaF00MOdTYBKUWDgm1Pw3lgytb7s



Scale = 1:83.6

Plate Offsets (X, Y): [2:Edge,0-0-0], [5:0-4-0,0-2-4], [7:0-2-8,0-2-1]

Loading	(psf)	Spacing	2-0-0	CSI	DEFL	in (loc)	l/defl	L/d	PLATES	GRIP	
TCLL (roof)	20.0	Plate Grip DOL	1.15	TC	0.66	Vert(LL)	-0.57 14-15	>999	240	MT20	244/190
TCDL	10.0	Lumber DOL	1.15	BC	0.75	Vert(CT)	-0.94 14-15	>607	180		
BCLL	0.0*	Rep Stress Incr	YES	WB	0.68	Horz(CT)	0.13 11	n/a	n/a		
BCDL	10.0	Code	IBC2015/TPI2014	Matrix-MS							Weight: 313 lb FT = 20%

LUMBER

TOP CHORD 2x6 SP No.2 *Except* T3,T4:2x4 SP No.1
 BOT CHORD 2x4 SP DSS *Except* B1:2x4 SP No.1
 WEBS 2x4 SP No.3 *Except* W8:2x4 SP No.2
 WEDGE Left: 2x4 SP No.3

BRACING

TOP CHORD Structural wood sheathing directly applied or 3-4-1 oc purlins, except end verticals, and 2-0-0 oc purlins (4-0-7 max.): 5-7.
 BOT CHORD Rigid ceiling directly applied or 10-0-0 oc bracing.
 WEBS 1 Row at midpt 6-15, 6-14, 8-14, 3-15

REACTIONS (lb/size) 2=1953/0-3-8, (min. 0-3-3), 11=1892/0-3-8, (min. 0-3-0)
 Max Horiz 2=201 (LC 10)
 Max Uplift 2=-198 (LC 11), 11=-168 (LC 11)
 Max Grav 2=2048 (LC 19), 11=1925 (LC 20)

MiTek recommends that Stabilizers and required cross bracing be installed during truss erection, in accordance with Stabilizer Installation guide.

FORCES

(lb) - Max. Comp./Max. Ten. - All forces 250 (lb) or less except when shown.
 TOP CHORD 2-21=-3322/285, 3-21=-3125/316, 3-4=-2577/296, 4-5=-2464/328, 5-22=-2135/331, 6-22=-2135/327, 23-24=-2135/327, 7-24=-2135/327, 7-25=-2512/343, 8-25=-2524/311, 8-9=-3151/378, 9-26=-2776/267, 10-26=-2835/256, 10-11=-1874/201
 BOT CHORD 2-27=-198/2874, 17-27=-198/2874, 17-28=-198/2874, 16-28=-198/2874, 15-16=-198/2874, 15-29=-63/2247, 29-30=-63/2247, 14-30=-63/2247, 13-14=-128/2390, 13-31=-128/2390, 31-32=-128/2390, 12-32=-128/2390
 WEBS 5-15=-31/913, 6-15=-373/74, 6-14=-384/74, 7-14=-70/979, 8-14=-524/177, 8-12=-58/503, 9-12=-1164/232, 3-15=-826/195, 3-17=0/313, 10-12=-199/2809

NOTES

- Unbalanced roof live loads have been considered for this design.
- Wind: ASCE 7-10; Vult=115mph (3-second gust) Vasd=91mph; TCDL=6.0psf; BCDL=6.0psf; h=30ft; B=20ft; L=47ft; eave=6ft; Cat. II; Exp B; Enclosed; MWFRS (directional) and C-C Exterior (2) -1-0-0 to 3-8-15, Interior (1) 3-8-15 to 17-8-13, Exterior (2) 17-8-13 to 22-5-12, Interior (1) 22-5-12 to 29-8-11, Exterior (2) 29-8-11 to 34-5-10, Interior (1) 34-5-10 to 47-3-12 zone; cantilever left and right exposed; end vertical left and right exposed; C-C for members and forces & MWFRS for reactions shown; Lumber DOL=1.60
- Provide adequate drainage to prevent water ponding.
- * This truss has been designed for a live load of 20.0psf on the bottom chord in all areas where a rectangle 3-06-00 tall by 2-00-00 wide will fit between the bottom chord and any other members, with BCDL = 10.0psf.
- Provide mechanical connection (by others) of truss to bearing plate capable of withstanding 198 lb uplift at joint 2 and 168 lb uplift at joint 11.
- This truss is designed in accordance with the 2015 International Building Code section 2306.1 and referenced standard ANSI/TPI 1.
- Graphical purlin representation does not depict the size or the orientation of the purlin along the top and/or bottom chord.

LOAD CASE(S) Standard

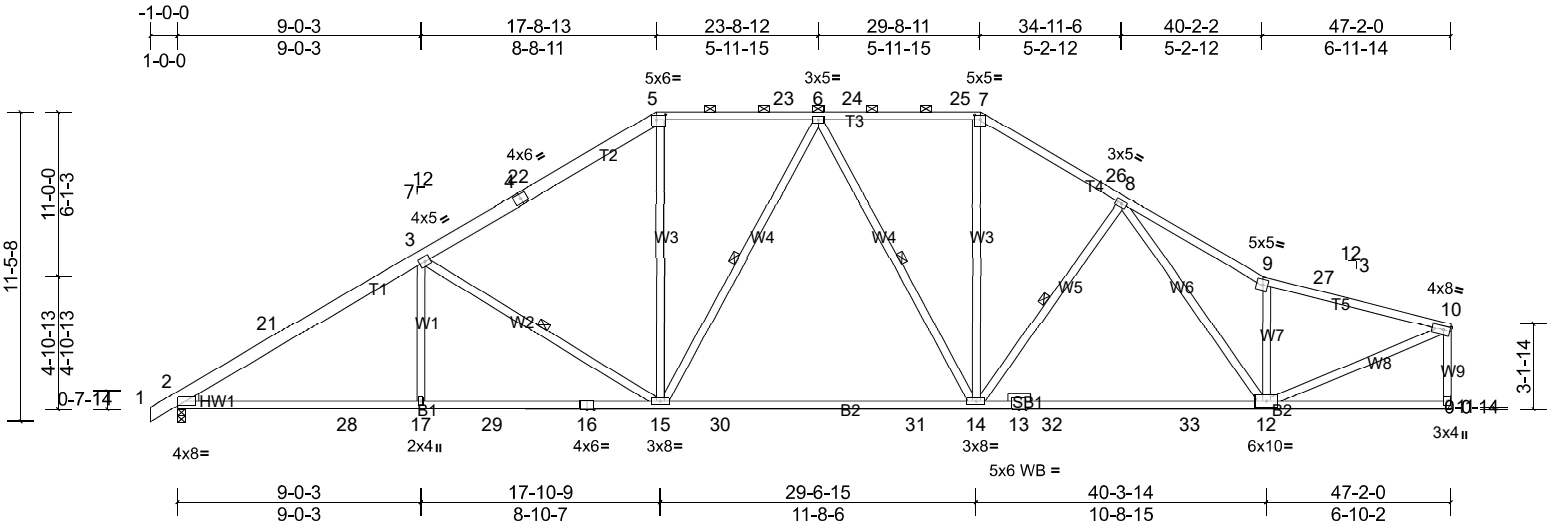
Job Q-2101675-1	Truss T1B	Truss Type Piggyback Base	Qty 4	Ply 1	Ellington Crawl V5-Roof Job Reference (optional)
--------------------	--------------	------------------------------	----------	----------	---

Peak Truss Builders LLC, New Hill, user

Run: 8.43 S Feb 3 2021 Print: 8.430 S Feb 3 2021 MiTek Industries, Inc. Wed Jul 28 09:30:48

Page: 1

ID: CW5KLY46rsX?h_2Km5Onvdzs97e-6T9XjbgSR0rxSqUmpkXbwq0gWkppy7SBdaolCLybt7r



Scale = 1:85.3

Plate Offsets (X, Y): [2:Edge,0-0-0], [5:0-4-0,0-2-4], [7:0-2-8,0-2-1]

Loading	(psf)	Spacing	2-0-0	CSI	DEFL	in	(loc)	l/defl	L/d	PLATES	GRIP	
TCLL (roof)	20.0	Plate Grip DOL	1.15	TC	0.88	Vert(LL)	-0.56	14-15	>999	240	MT20	244/190
TCDL	10.0	Lumber DOL	1.15	BC	0.75	Vert(CT)	-0.92	14-15	>616	180		
BCLL	0.0*	Rep Stress Incr	YES	WB	0.66	Horz(CT)	0.13	11	n/a	n/a		
BCDL	10.0	Code	IBC2015/TPI2014	Matrix-MS								
											Weight: 307 lb	FT = 20%

LUMBER

TOP CHORD 2x4 SP No.1 *Except* T2,T1:2x6 SP No.2
 BOT CHORD 2x4 SP DSS *Except* B1:2x4 SP No.1
 WEBS 2x4 SP No.3 *Except* W8:2x4 SP No.2
 OTHERS 2x4 SP No.3
 WEDGE Left: 2x4 SP No.3

BRACING

TOP CHORD Structural wood sheathing directly applied, except end verticals, and 2-0-0 oc purlins (4-0-12 max.): 5-7.
 BOT CHORD Rigid ceiling directly applied or 10-0-0 oc bracing.
 WEBS 1 Row at midpt 6-15, 6-14, 8-14, 3-15

REACTIONS (lb/size) 2=1941/0-3-8, (min. 0-3-3), 11=1880/ Mechanical, (min. 0-1-8)
 Max Horiz 2=204 (LC 10)
 Max Uplift 2=-197 (LC 11), 11=-167 (LC 11)
 Max Grav 2=2039 (LC 19), 11=1920 (LC 20)

MiTek recommends that Stabilizers and required cross bracing be installed during truss erection, in accordance with Stabilizer Installation guide.

FORCES (lb) - Max. Comp./Max. Ten. - All forces 250 (lb) or less except when shown.
 TOP CHORD 2-21=-3303/282, 3-21=-3105/314, 3-4=-2557/294, 4-22=-2457/297, 5-22=-2444/326, 5-23=-2117/330, 6-23=-2117/330, 6-24=-2107/323, 24-25=-2107/323, 7-25=-2107/323, 7-26=-2478/339, 8-26=-2491/307, 8-9=-3052/375, 9-27=-2605/249, 10-27=-2662/239, 10-11=-1880/195
 BOT CHORD 2-28=-198/2857, 17-28=-198/2857, 17-29=-198/2857, 16-29=-198/2857, 15-16=-198/2857, 15-30=-62/2224, 30-31=-62/2224, 14-31=-62/2224, 13-14=-125/2338, 13-32=-125/2338, 32-33=-125/2338, 12-33=-125/2338
 WEBS 5-15=-30/903, 6-15=-362/75, 6-14=-392/75, 7-14=-68/962, 8-14=-483/175, 9-12=-1171/233, 3-15=-828/195, 3-17=0/315, 8-12=-58/428, 10-12=-181/2693

NOTES

- Unbalanced roof live loads have been considered for this design.
- Wind: ASCE 7-10; Vult=115mph (3-second gust) Vasd=91mph; TCDL=6.0psf; BCDL=6.0psf; h=30ft; B=20ft; L=47ft; eave=6ft; Cat. II; Exp B; Enclosed; MWFRS (directional) and C-C Exterior (2) -1-0-0 to 3-8-10, Interior (1) 3-8-10 to 17-8-13, Exterior (2) 17-8-13 to 22-5-7, Interior (1) 22-5-7 to 29-8-11, Exterior (2) 29-8-11 to 34-5-5, Interior (1) 34-5-5 to 47-0-4 zone; cantilever left and right exposed; end vertical left and right exposed; C-C for members and forces & MWFRS for reactions shown; Lumber DOL=1.60 plate grip DOL=1.60
- Provide adequate drainage to prevent water ponding.
- * This truss has been designed for a live load of 20.0psf on the bottom chord in all areas where a rectangle 3-06-00 tall by 2-00-00 wide will fit between the bottom chord and any other members, with BCDL = 10.0psf.
- Refer to girder(s) for truss to truss connections.
- Provide mechanical connection (by others) of truss to bearing plate capable of withstanding 197 lb uplift at joint 2 and 167 lb uplift at joint 11.
- This truss is designed in accordance with the 2015 International Building Code section 2306.1 and referenced standard ANSI/TPI 1.
- Graphical purlin representation does not depict the size or the orientation of the purlin along the top and/or bottom chord.

LOAD CASE(S) Standard

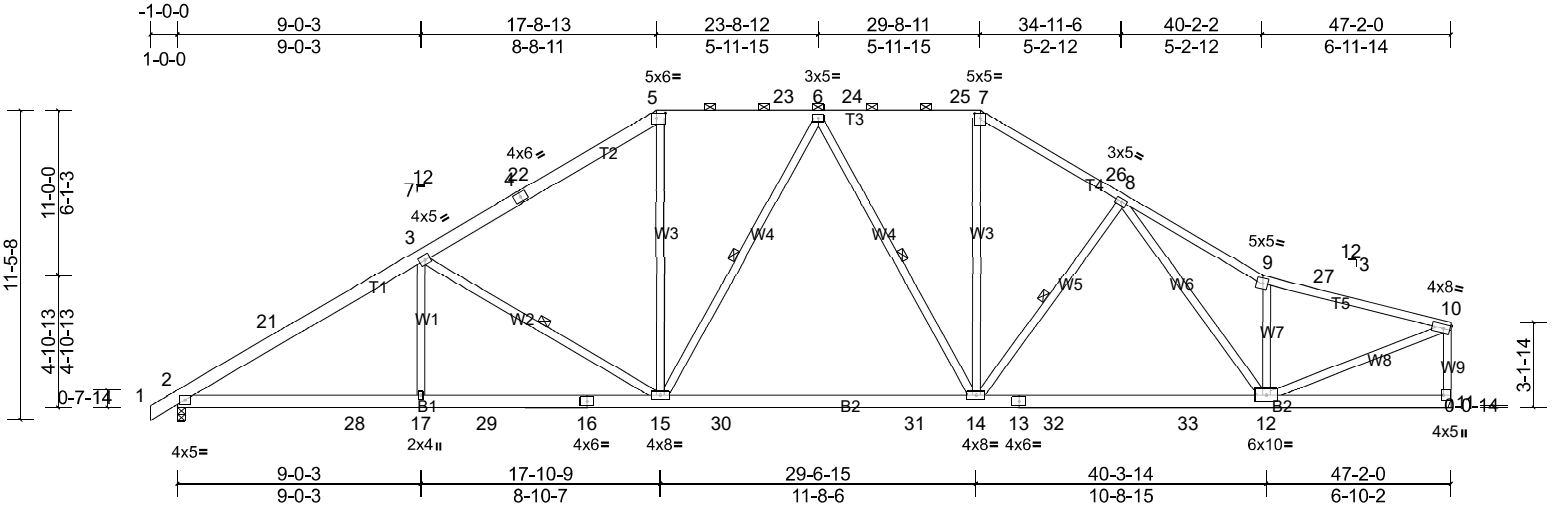
Job Q-2101675-1	Truss T1C	Truss Type Piggyback Base	Qty 2	Ply 1	Ellington Crawl V5-Roof Job Reference (optional)
--------------------	--------------	------------------------------	----------	----------	---

Peak Truss Builders LLC, New Hill, user

Run: 8.43 S Feb 3 2021 Print: 8.430 S Feb 3 2021 MiTek Industries, Inc. Wed Jul 28 09:30:48

Page: 1

ID: CW5kLY46rsX?h_2Km5Onvdzs97e-6T9XjbgSR0rxSqUmpkXbwq0gRknqy7SBdaolCLybt7r



Scale = 1:85.3

Plate Offsets (X, Y): [5:0-4-0,0-2-4], [7:0-2-8,0-2-1], [11:Edge,0-3-8]

Loading	(psf)	Spacing	2-0-0	CSI	DEFL	in (loc)	l/defl	L/d	PLATES	GRIP		
TCLL (roof)	20.0	Plate Grip DOL	1.15	TC	0.89	Vert(LL)	-0.27	14-15	>999	240	MT20	244/190
TCDL	10.0	Lumber DOL	1.15	BC	0.88	Vert(CT)	-0.49	14-15	>999	180		
BCLL	0.0*	Rep Stress Incr	YES	WB	0.66	Horz(CT)	0.10	11	n/a	n/a		
BCDL	10.0	Code	IBC2015/TPI2014	Matrix-MS								Weight: 342 lb FT = 20%

LUMBER

TOP CHORD 2x4 SP No.1 *Except* T2,T1:2x6 SP No.2
 BOT CHORD 2x6 SP No.2
 WEBS 2x4 SP No.3 *Except* W8:2x4 SP No.2

REACTIONS (lb/size) 2=1941/0-3-8, (min. 0-3-3), 11=1880/ Mechanical, (min. 0-1-8)
 Max Horiz 2=202 (LC 10)
 Max Uplift 2=-197 (LC 11), 11=-167 (LC 11)
 Max Grav 2=2025 (LC 19), 11=1914 (LC 20)

FORCES

(lb) - Max. Comp./Max. Ten. - All forces 250 (lb) or less except when shown.
 TOP CHORD 2-21=-3317/286, 3-21=-3126/318, 3-4=-2565/294, 4-22=-2465/296, 5-22=-2450/326, 5-23=-2122/330, 6-23=-2122/330, 6-24=-2115/323, 24-25=-2115/323, 7-25=-2115/323, 7-26=-2487/339, 8-26=-2500/307, 8-9=-3080/376, 9-27=-2630/251, 10-27=-2687/241, 10-11=-1862/193
 BOT CHORD 2-28=-202/2884, 17-28=-202/2884, 17-29=-202/2884, 16-29=-202/2884, 15-16=-202/2884, 15-30=-64/2231, 30-31=-64/2231, 14-31=-64/2231, 13-14=-128/2351, 13-32=-128/2351, 32-33=-128/2351, 12-33=-128/2351
 WEBS 5-15=-30/913, 6-15=-365/74, 6-14=-392/75, 7-14=-68/967, 8-14=-488/175, 9-12=-1178/233, 3-15=-851/197, 3-17=0/300, 8-12=-58/445, 10-12=-180/2697

NOTES

- Unbalanced roof live loads have been considered for this design.
- Wind: ASCE 7-10; Vult=115mph (3-second gust) Vasd=91mph; TCDL=6.0psf; BCDL=6.0psf; h=30ft; B=20ft; L=47ft; eave=6ft; Cat. II; Exp B; Enclosed; MWFRS (directional) and C-C Exterior (2) -1-0-0 to 3-8-10, Interior (1) 3-8-10 to 17-8-13, Exterior (2) 17-8-13 to 22-5-7, Interior (1) 22-5-7 to 29-8-11, Exterior (2) 29-8-11 to 34-5-5, Interior (1) 34-5-5 to 47-0-4 zone; cantilever left and right exposed; end vertical left and right exposed; C-C for members and forces & MWFRS for reactions shown; Lumber DOL=1.60 plate grip DOL=1.60
- Provide adequate drainage to prevent water ponding.
- * This truss has been designed for a live load of 20.0psf on the bottom chord in all areas where a rectangle 3-06-00 tall by 2-00-00 wide will fit between the bottom chord and any other members, with BCDL = 10.0psf.
- Refer to girder(s) for truss to truss connections.
- Provide mechanical connection (by others) of truss to bearing plate capable of withstanding 197 lb uplift at joint 2 and 167 lb uplift at joint 11.
- This truss is designed in accordance with the 2015 International Building Code section 2306.1 and referenced standard ANSI/TPI 1.
- Graphical purlin representation does not depict the size or the orientation of the purlin along the top and/or bottom chord.

LOAD CASE(S) Standard

BRACING

TOP CHORD Structural wood sheathing directly applied, except end verticals, and 2-0-0 oc purlins (4-0-11 max.): 5-7.
 BOT CHORD Rigid ceiling directly applied or 10-0-0 oc bracing.
 WEBS 1 Row at midpt 6-15, 6-14, 8-14, 3-15

MiTek recommends that Stabilizers and required cross bracing be installed during truss erection, in accordance with Stabilizer Installation guide.

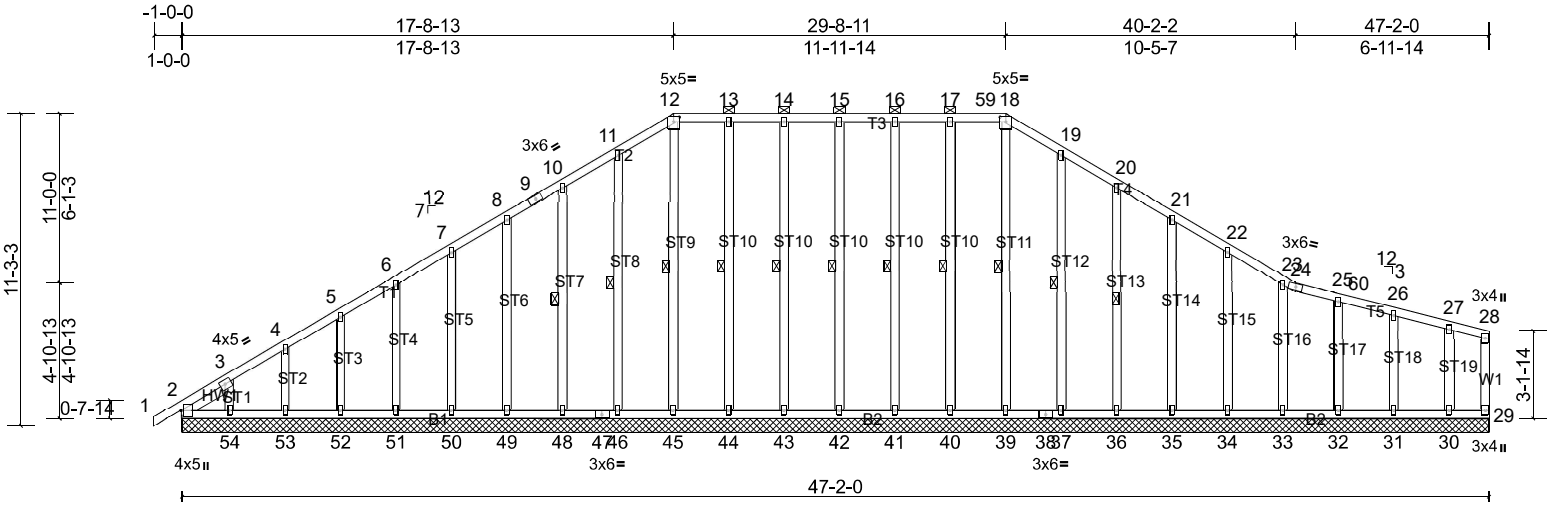
Job Q-2101675-1	Truss T1GE	Truss Type Piggyback Base Supported Gable	Qty 1	Ply 1	Ellington Crawl V5-Roof Job Reference (optional)
--------------------	---------------	--	----------	----------	---

Peak Truss Builders LLC, New Hill, user

Run: 8.43 S Feb 3 2021 Print: 8.430 S Feb 3 2021 MiTek Industries, Inc. Wed Jul 28 09:30:49

Page: 1

ID:gif6Yu5kc9gsJ8dWkKow0Rrzs97d-bgjvxxh4CKzo3_3yMR2qT2Y257KKhj2KsEYsknytb7q



Scale = 1:83.2

Plate Offsets (X, Y): [2:0-2-8,0-0-7], [12:0-2-8,0-2-1], [18:0-2-8,0-2-1]

Loading	(psf)	Spacing	2-0-0	CSI	0.06	DEFL	in (loc)	l/defl	L/d	PLATES	GRIP
TCLL (roof)	20.0	Plate Grip DOL	1.15	TC	0.06	Vert(LL)	n/a	-	n/a	999	MT20 244/190
TCDL	10.0	Lumber DOL	1.15	BC	0.03	Vert(CT)	n/a	-	n/a	999	
BCLL	0.0*	Rep Stress Incr	YES	WB	0.12	Horz(CT)	0.00	29	n/a	n/a	
BCDL	10.0	Code	IBC2015/TPI2014	Matrix-MS							Weight: 394 lb FT = 20%

LUMBER
 TOP CHORD 2x4 SP No.1
 BOT CHORD 2x4 SP No.1
 WEBS 2x4 SP No.3
 OTHERS 2x4 SP No.3
 SLIDER Left 2x4 SP No.3 -- 1-10-1

BRACING
 TOP CHORD Structural wood sheathing directly applied or 6-0-0 oc purlins, except end verticals, and 2-0-0 oc purlins (6-0-0 max.): 12-18.
 BOT CHORD Rigid ceiling directly applied or 10-0-0 oc bracing.
 WEBS 1 Row at midpt 18-39, 17-40, 16-41, 15-42, 14-43, 13-44, 12-45, 11-46, 10-48, 19-37, 20-36

REACTIONS All bearings 47-2-0.
 (lb) - Max Horiz 2=203 (LC 10), 55=203 (LC 10)
 Max Uplift All uplift 100 (lb) or less at joint(s) 2, 30, 31, 32, 33, 34, 35, 36, 37, 40, 41, 42, 43, 44, 46, 48, 49, 50, 51, 52, 53, 54, 55
 Max Grav All reactions 250 (lb) or less at joint(s) 2, 29, 30, 31, 32, 33, 34, 35, 36, 37, 39, 40, 41, 42, 43, 44, 45, 46, 48, 49, 50, 51, 52, 53, 54, 55

FORCES (lb) - Max. Comp./Max. Ten. - All forces 250 (lb) or less except when shown.
 TOP CHORD 11-12=-216/288, 12-13=-192/263, 13-14=-191/263, 14-15=-191/263, 15-16=-191/263, 16-17=-191/263, 17-59=-191/263, 18-59=-192/263, 18-19=-216/288

- NOTES**
- Unbalanced roof live loads have been considered for this design.
 - Wind: ASCE 7-10; Vult=115mph (3-second gust) Vasd=91mph; TCDL=6.0psf; BCDL=6.0psf; h=30ft; B=20ft; L=47ft; eave=2ft; Cat. II; Exp B; Enclosed; MWFRS (directional) and C-C Corner (3) -1-0-0 to 3-8-11, Exterior (2) 3-8-11 to 17-8-13, Corner (3) 17-8-13 to 22-5-7, Exterior (2) 22-5-7 to 29-8-11, Corner (3) 29-8-11 to 34-5-5, Exterior (2) 34-5-5 to 47-0-4 zone; cantilever left and right exposed; end vertical left and right exposed; C-C for members and forces & MWFRS for reactions shown; Lumber DOL=1.60 plate grip DOL=1.60
 - Truss designed for wind loads in the plane of the truss only. For studs exposed to wind (normal to the face), see Standard Industry Gable End Details as applicable, or consult qualified building designer as per ANSI/TPI 1.
 - Provide adequate drainage to prevent water ponding.
 - All plates are 2x4 MT20 unless otherwise indicated.
 - Gable requires continuous bottom chord bearing.
 - Gable studs spaced at 2-0-0 oc.
 - * This truss has been designed for a live load of 20.0psf on the bottom chord in all areas where a rectangle 3-06-00 tall by 2-00-00 wide will fit between the bottom chord and any other members.
 - Provide mechanical connection (by others) of truss to bearing plate capable of withstanding 100 lb uplift at joint(s) 2, 40, 41, 42, 43, 44, 46, 48, 49, 50, 51, 52, 53, 54, 37, 36, 35, 34, 33, 32, 31, 30, 2.
 - This truss is designed in accordance with the 2015 International Building Code section 2306.1 and referenced standard ANSI/TPI 1.
 - Graphical purlin representation does not depict the size or the orientation of the purlin along the top and/or bottom chord.

LOAD CASE(S) Standard

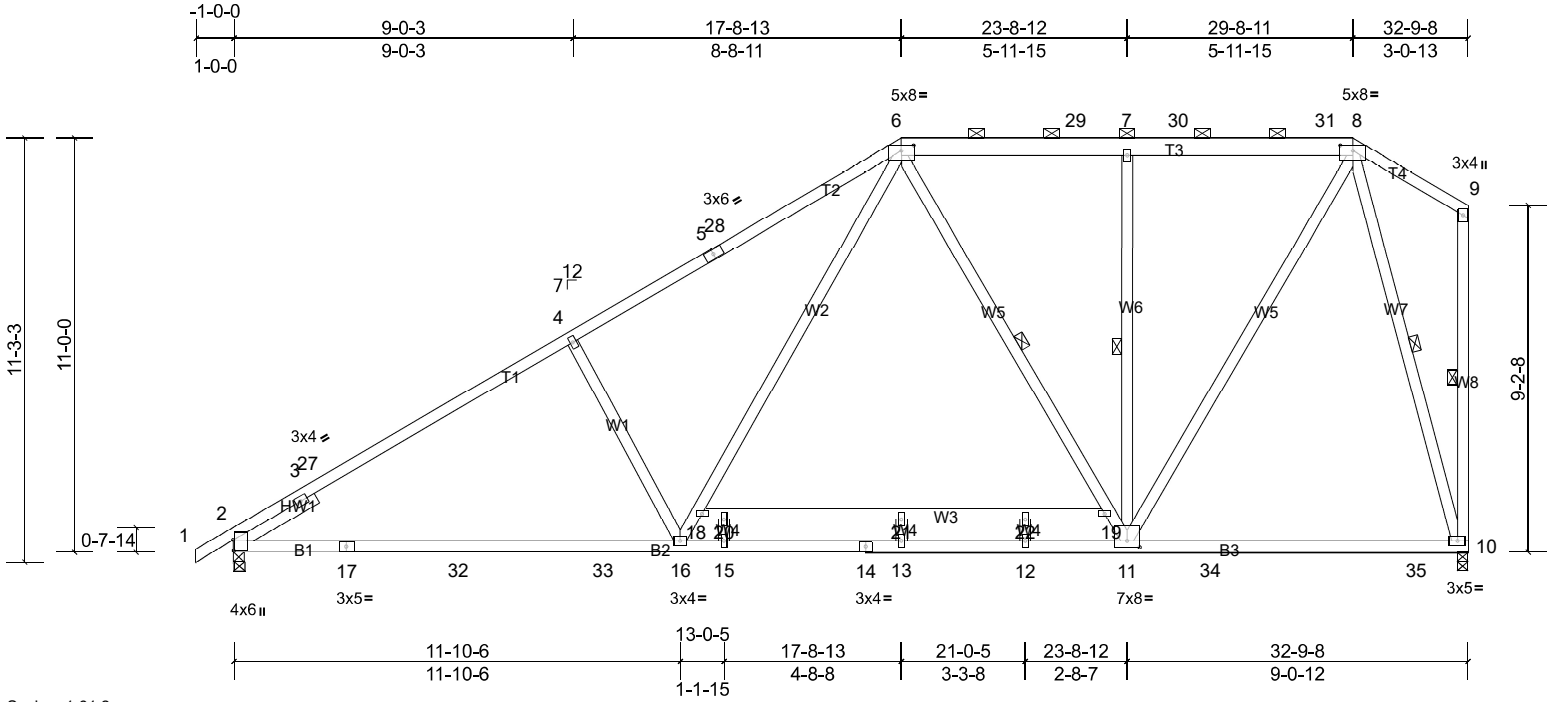
Job Q-2101675-1	Truss T2	Truss Type Piggyback Base	Qty 9	Ply 1	Ellington Crawl V5-Roof Job Reference (optional)
--------------------	-------------	------------------------------	----------	----------	---

Peak Truss Builders LLC, New Hill, user

Run: 8.43 S Feb 3 2021 Print: 8.430 S Feb 3 2021 MiTek Industries, Inc. Wed Jul 28 09:30:50

Page: 1

ID:wK1TqcGrmeQLJTqly9dLT0zqTaW-3sGH8Hiize5fh8e9w9Z30F5?nXStQ0LU5ulPGDybt7p



Scale = 1:61.2

Plate Offsets (X, Y): [2:0-3-5,0-0-3], [6:0-4-0,0-1-11], [8:0-4-0,0-1-11], [11:0-4-0,0-2-0]

Loading	(psf)	Spacing	2-0-0	CSI	DEFL	in	(loc)	l/defl	L/d	PLATES	GRIP	
TCLL (roof)	20.0	Plate Grip DOL	1.15	TC	0.90	Vert(LL)	-0.34	16-25	>999	240	MT20	244/190
TCDL	10.0	Lumber DOL	1.15	BC	0.90	Vert(CT)	-0.63	16-25	>623	180		
BCLL	0.0*	Rep Stress Incr	YES	WB	0.76	Horz(CT)	0.05	10	n/a	n/a		
BCDL	10.0	Code	IBC2015/TPI2014	Matrix-MS								
											Weight: 243 lb	FT = 20%

LUMBER

TOP CHORD 2x4 SP No.1 *Except* T3:2x6 SP No.2
 BOT CHORD 2x4 SP No.1
 WEBS 2x4 SP No.3
 SLIDER Left 2x4 SP No.3 -- 2-6-0

BRACING

TOP CHORD Structural wood sheathing directly applied, except end verticals, and 2-0-0 oc purlins (6-0-0 max.): 6-8.
 BOT CHORD Rigid ceiling directly applied or 10-0-0 oc bracing.
 WEBS 1 Row at midpt 9-10, 6-11, 8-10, 7-11

REACTIONS (lb/size) 2=1367/0-3-8, (min. 0-2-2), 10=1305/0-3-8, (min. 0-2-2)
 Max Horiz 2=291 (LC 10)
 Max Uplift 2=-132 (LC 11), 10=-130 (LC 11)
 Max Grav 2=1370 (LC 19), 10=1349 (LC 19)

MiTek recommends that Stabilizers and required cross bracing be installed during truss erection, in accordance with Stabilizer Installation guide.

FORCES

(lb) - Max. Comp./Max. Ten. - All forces 250 (lb) or less except when shown.
 TOP CHORD 2-3=-1239/0, 3-27=-1911/165, 4-27=-1754/207, 4-5=-1754/241, 5-28=-1649/243, 6-28=-1630/271, 6-29=-830/198, 7-29=-832/197, 7-30=-832/198, 30-31=-830/198, 8-31=-829/198
 BOT CHORD 2-17=-387/1683, 17-32=-259/1683, 32-33=-259/1683, 16-33=-259/1683, 15-16=-174/998, 14-15=-174/998, 13-14=-174/998, 12-13=-174/998, 11-12=-174/998, 11-34=-102/353, 34-35=-102/353, 10-35=-102/353
 WEBS 4-16=-490/239, 16-18=-77/1030, 6-18=-82/870, 6-19=-352/105, 11-19=-341/102, 8-11=-87/1075, 8-10=-1196/175, 7-11=-423/120

NOTES

- Unbalanced roof live loads have been considered for this design.
- Wind: ASCE 7-10; Vult=115mph (3-second gust) Vasd=91mph; TCDL=6.0psf; BCDL=6.0psf; h=30ft; B=20ft; L=33ft; eave=4ft; Cat. II; Exp B; Enclosed; MWFRS (directional) and C-C Exterior (2) -1-0-0 to 2-3-6, Interior (1) 2-3-6 to 17-8-13, Exterior (2) 17-8-13 to 22-4-7, Interior (1) 22-4-7 to 29-8-11, Exterior (2) 29-8-11 to 32-7-12 zone; cantilever left and right exposed; end vertical left and right exposed; C-C for members and forces & MWFRS for reactions shown; Lumber DOL=1.60 plate grip DOL=1.60
- Provide adequate drainage to prevent water ponding.
- All plates are 2x4 MT20 unless otherwise indicated.
- * This truss has been designed for a live load of 20.0psf on the bottom chord in all areas where a rectangle 3-06-00 tall by 2-00-00 wide will fit between the bottom chord and any other members, with BCDL = 10.0psf.
- Provide mechanical connection (by others) of truss to bearing plate capable of withstanding 132 lb uplift at joint 2 and 130 lb uplift at joint 10.
- This truss is designed in accordance with the 2015 International Building Code section 2306.1 and referenced standard ANSI/TPI 1.
- Graphical purlin representation does not depict the size or the orientation of the purlin along the top and/or bottom chord.

LOAD CASE(S) Standard

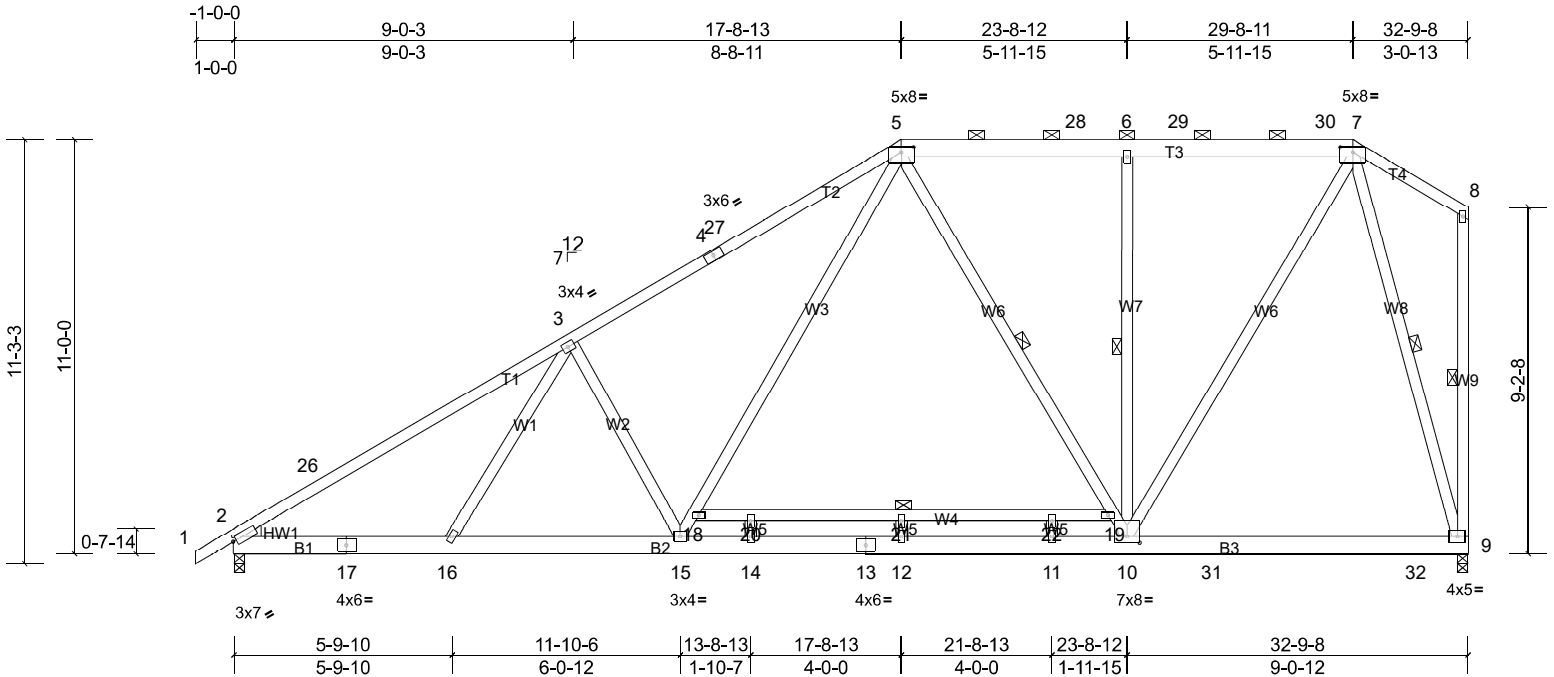
Job Q-2101675-1	Truss T2A	Truss Type Piggyback Base	Qty 1	Ply 1	Ellington Crawl V5-Roof Job Reference (optional)
--------------------	--------------	------------------------------	----------	----------	---

Peak Truss Builders LLC, New Hill, user

Run: 8.43 S Feb 3 2021 Print: 8.430 S Feb 3 2021 MiTek Industries, Inc. Wed Jul 28 09:30:50

Page: 1

ID:wK1TqcGrmeQLJTqly9dLtoZqTaW-3sGH8Hiize5fh8e9w9Z30F5?eXZmQ0aU5ulPGDybt7p



Scale = 1:61.2

Plate Offsets (X, Y): [2:0-0-14,0-1-8], [5:0-4-0,0-1-11], [7:0-4-0,0-1-11], [10:0-4-0,0-2-0]

Loading	(psf)	Spacing	2-0-0	CSI	DEFL	in	(loc)	l/defl	L/d	PLATES	GRIP	
TCLL (roof)	20.0	Plate Grip DOL	1.15	TC	0.91	Vert(LL)	-0.11	9-10	>999	240	MT20	244/190
TCDL	10.0	Lumber DOL	1.15	BC	0.46	Vert(CT)	-0.20	12-14	>999	180		
BCLL	0.0*	Rep Stress Incr	YES	WB	0.74	Horz(CT)	0.04	9	n/a	n/a		
BCDL	10.0	Code	IBC2015/TPI2014	Matrix-MS								Weight: 275 lb FT = 20%

LUMBER

TOP CHORD 2x4 SP No.1 *Except* T3:2x6 SP No.2
 BOT CHORD 2x6 SP No.2
 WEBS 2x4 SP No.3
 WEDGE Left: 2x4 SP No.3

BRACING

TOP CHORD Structural wood sheathing directly applied, except end verticals, and 2-0-0 oc purlins (6-0-0 max.): 5-7.
 BOT CHORD Rigid ceiling directly applied or 10-0-0 oc bracing.
 WEBS 1 Row at midpt 8-9, 5-10, 7-9, 18-19, 6-10

REACTIONS (lb/size) 2=1367/0-3-8, (min. 0-2-2), 9=1305/0-3-8, (min. 0-2-1)
 Max Horiz 2=289 (LC 10)
 Max Uplift 2=-132 (LC 11), 9=-130 (LC 11)
 Max Grav 2=1367 (LC 1), 9=1320 (LC 19)

MiTek recommends that Stabilizers and required cross bracing be installed during truss erection, in accordance with Stabilizer Installation guide.

FORCES

(lb) - Max. Comp./Max. Ten. - All forces 250 (lb) or less except when shown.
 TOP CHORD 2-26=-2051/141, 3-26=-1814/189, 3-4=-1734/244, 4-27=-1608/246, 5-27=-1587/274, 5-28=-838/197, 6-28=-841/196, 6-29=-842/196, 29-30=-840/196, 7-30=-838/197
 BOT CHORD 2-17=-334/1663, 16-17=-239/1663, 15-16=-257/1619, 14-15=-169/1017, 13-14=-169/1017, 12-13=-169/1017, 11-12=-169/1017, 10-11=-169/1017, 10-31=-102/347, 31-32=-102/347, 9-32=-102/347
 WEBS 3-15=-528/232, 15-18=-88/762, 5-18=-86/769, 5-19=-328/108, 10-19=-342/107, 7-10=-87/1058, 7-9=-1204/164, 6-10=-423/120

NOTES

- Unbalanced roof live loads have been considered for this design.
- Wind: ASCE 7-10; Vult=115mph (3-second gust) Vasd=91mph; TCDL=6.0psf; BCDL=6.0psf; h=30ft; B=20ft; L=33ft; eave=4ft; Cat. II; Exp B; Enclosed; MWFRS (directional) and C-C Exterior (2) -1-0-0 to 2-3-6, Interior (1) 2-3-6 to 17-8-13, Exterior (2) 17-8-13 to 22-4-7, Interior (1) 22-4-7 to 29-8-11, Exterior (2) 29-8-11 to 32-7-12 zone; cantilever left and right exposed; end vertical left and right exposed; C-C for members and forces & MWFRS for reactions shown; Lumber DOL=1.60 plate grip DOL=1.60
- Provide adequate drainage to prevent water ponding.
- All plates are 2x4 MT20 unless otherwise indicated.
- * This truss has been designed for a live load of 20.0psf on the bottom chord in all areas where a rectangle 3-06-00 tall by 2-00-00 wide will fit between the bottom chord and any other members, with BCDL = 10.0psf.
- Provide mechanical connection (by others) of truss to bearing plate capable of withstanding 132 lb uplift at joint 2 and 130 lb uplift at joint 9.
- This truss is designed in accordance with the 2015 International Building Code section 2306.1 and referenced standard ANSI/TPI 1.
- Graphical purlin representation does not depict the size or the orientation of the purlin along the top and/or bottom chord.

LOAD CASE(S) Standard

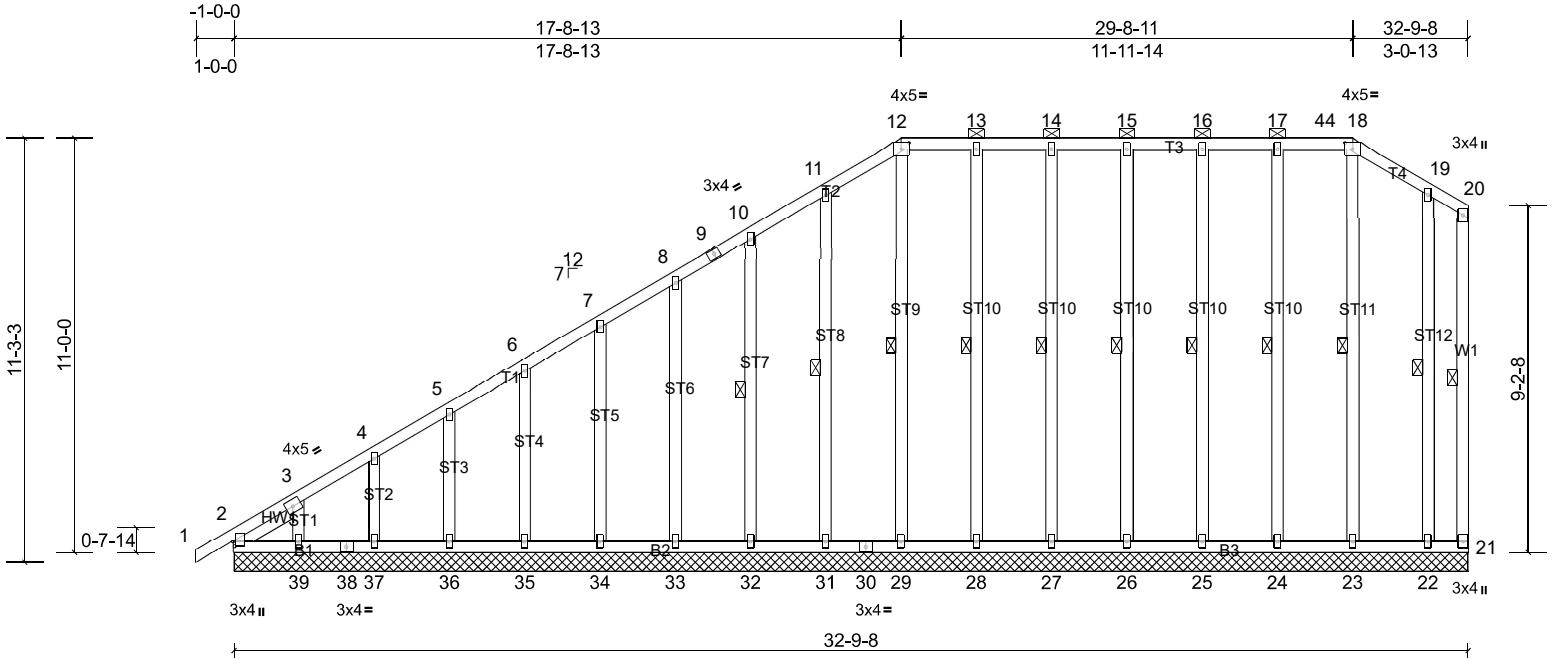
Job Q-2101675-1	Truss T2GE	Truss Type Piggyback Base Supported Gable	Qty 1	Ply 1	Ellington Crawl V5-Roof Job Reference (optional)
--------------------	---------------	--	----------	----------	---

Peak Truss Builders LLC, New Hill, user

Run: 8.43 S Feb 3 2021 Print: 8.430 S Feb 3 2021 MiTek Industries, Inc. Wed Jul 28 09:30:51

Page: 1

ID:YTudOF8EfOAlnWHzE_ybhzs97Z-X2qfMdkKxDWJIDLU4IYTdDUX_69dZdJY1zpfyb7o



Scale = 1:61.2

Plate Offsets (X, Y): [2:0-1-8,0-0-7], [12:0-2-8,0-2-1], [18:0-2-8,0-2-1]

Loading	(psf)	Spacing	2-0-0	CSI	DEFL	in	(loc)	l/defl	L/d	PLATES	GRIP	
TCLL (roof)	20.0	Plate Grip DOL	1.15	TC	0.64	Vert(LL)	n/a	-	n/a	999	MT20	244/190
TCDL	10.0	Lumber DOL	1.15	BC	0.13	Vert(CT)	n/a	-	n/a	999		
BCLL	0.0*	Rep Stress Incr	YES	WB	0.12	Horz(CT)	0.00	21	n/a	n/a		
BCDL	10.0	Code	IBC2015/TPI2014	Matrix-MS								
											Weight: 304 lb	FT = 20%

LUMBER

- TOP CHORD 2x4 SP No.1
- BOT CHORD 2x4 SP No.1
- WEBS 2x4 SP No.3
- OTHERS 2x4 SP No.3
- SLIDER Left 2x4 SP No.3 -- 1-10-1

BRACING

- TOP CHORD Structural wood sheathing directly applied or 6-0-0 oc purlins, except end verticals, and 2-0-0 oc purlins (6-0-0 max.): 12-18.
- BOT CHORD Rigid ceiling directly applied or 6-0-0 oc bracing.
- WEBS 1 Row at midpt 20-21, 18-23, 17-24, 16-25, 15-26, 14-27, 13-28, 12-29, 11-31, 10-32, 19-22

REACTIONS All bearings 32-9-8.

- (lb) - Max Horiz 2=291 (LC 10), 40=291 (LC 10)
- Max Uplift All uplift 100 (lb) or less at joint(s) 2, 21, 22, 23, 24, 25, 26, 27, 28, 29, 31, 32, 33, 34, 35, 36, 37, 39, 40
- Max Grav All reactions 250 (lb) or less at joint(s) 2, 21, 22, 23, 24, 25, 26, 27, 28, 29, 31, 32, 33, 34, 35, 36, 37, 39, 40

FORCES

- (lb) - Max. Comp./Max. Ten. - All forces 250 (lb) or less except when shown.
- TOP CHORD 3-4=-307/288, 4-5=-268/255

NOTES

- Unbalanced roof live loads have been considered for this design.
- Wind: ASCE 7-10; Vult=115mph (3-second gust) Vasd=91mph; TCDL=6.0psf; BCDL=6.0psf; h=30ft; B=20ft; L=33ft; eave=2ft; Cat. II; Exp B; Enclosed; MWFRS (directional) and C-C Corner (3) -1-0-0 to 2-3-6, Exterior (2) 2-3-6 to 17-8-13, Corner (3) 17-8-13 to 21-0-3, Exterior (2) 21-0-3 to 29-8-11, Corner (3) 29-8-11 to 32-7-12 zone; cantilever left and right exposed ; end vertical left and right exposed;C-C for members and forces & MWFRS for reactions shown; Lumber DOL=1.60 plate grip DOL=1.60
- Truss designed for wind loads in the plane of the truss only. For studs exposed to wind (normal to the face), see Standard Industry Gable End Details as applicable, or consult qualified building designer as per ANSI/TPI 1.
- Provide adequate drainage to prevent water ponding.
- All plates are 2x4 MT20 unless otherwise indicated.
- Gable requires continuous bottom chord bearing.
- Gable studs spaced at 2-0-0 oc.
- * This truss has been designed for a live load of 20.0psf on the bottom chord in all areas where a rectangle 3-06-00 tall by 2-00-00 wide will fit between the bottom chord and any other members.
- Provide mechanical connection (by others) of truss to bearing plate capable of withstanding 100 lb uplift at joint(s) 21, 2, 23, 24, 25, 26, 27, 28, 29, 31, 32, 33, 34, 35, 36, 37, 39, 22, 2.
- This truss is designed in accordance with the 2015 International Building Code section 2306.1 and referenced standard ANSI/TPI 1.
- Graphical purlin representation does not depict the size or the orientation of the purlin along the top and/or bottom chord.

LOAD CASE(S) Standard

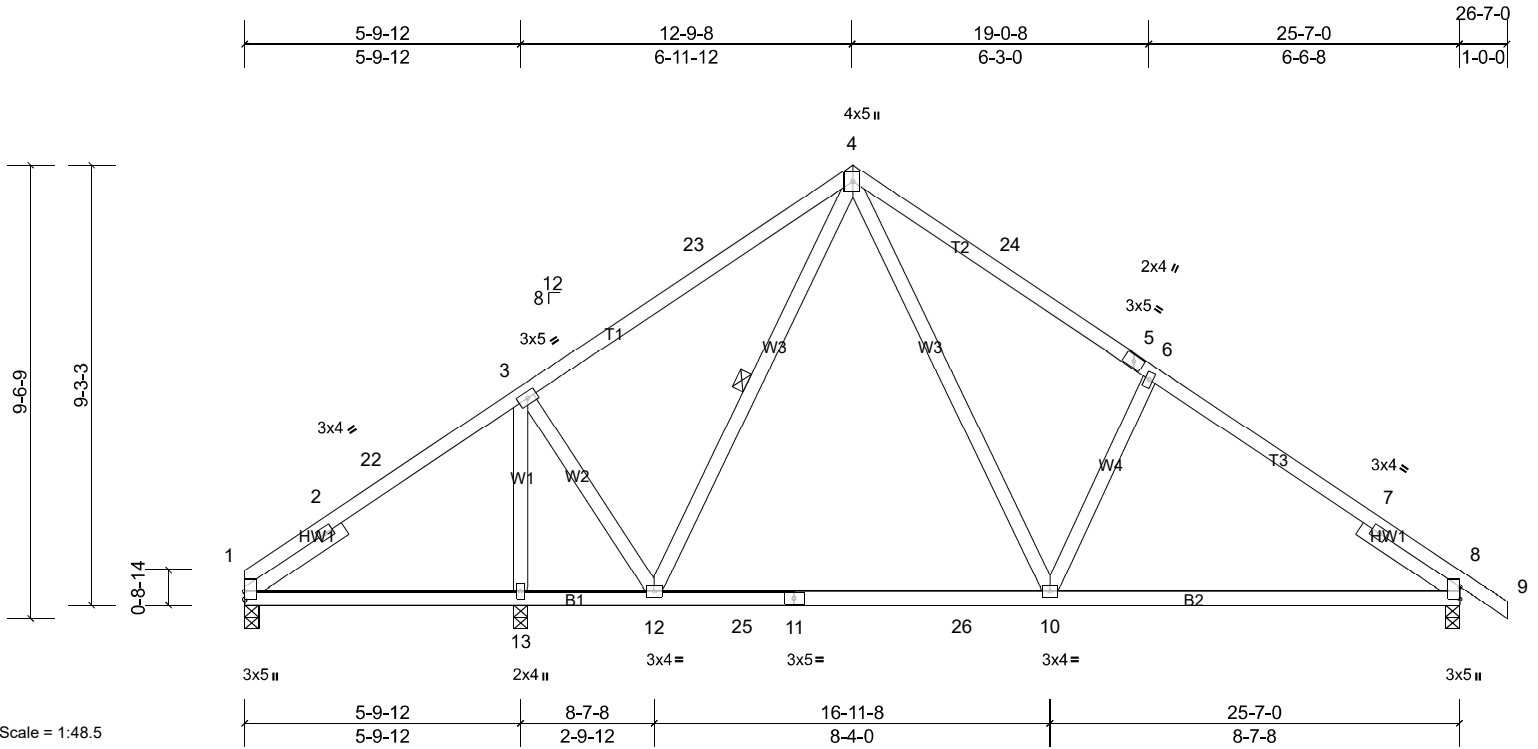
Job Q-2101675-1	Truss T3	Truss Type Common	Qty 2	Ply 1	Ellington Crawl V5-Roof Job Reference (optional)
--------------------	-------------	----------------------	----------	----------	---

Peak Truss Builders LLC, New Hill, user

Run: 8.43 S Feb 3 2021 Print: 8.430 S Feb 3 2021 MiTek Industries, Inc. Wed Jul 28 09:30:51

Page: 1

ID:YTudOF8EFOAlnwHZe_ybhzs97Z-X2qfMdjKkxDWJIDLUs4lYTDHaxvm9ZNdJY1zpfybt7o



Loading	(psf)	Spacing	2-0-0	CSI	DEFL	in	(loc)	l/defl	L/d	PLATES	GRIP	
TCLL (roof)	20.0	Plate Grip DOL	1.15	TC	0.45	Vert(LL)	-0.18	10-12	>999	240	MT20	244/190
TCDL	10.0	Lumber DOL	1.15	BC	0.48	Vert(CT)	-0.26	10-12	>913	180		
BCLL	0.0*	Rep Stress Incr	YES	WB	0.32	Horz(CT)	0.01	8	n/a	n/a		
BCDL	10.0	Code	IBC2015/TPI2014	Matrix-MS								Weight: 143 lb FT = 20%

LUMBER

TOP CHORD 2x4 SP No.1
 BOT CHORD 2x4 SP No.1
 WEBS 2x4 SP No.3
 SLIDER Left 2x4 SP No.3 -- 2-6-0, Right 2x4 SP No.3 -- 2-6-0

BRACING

TOP CHORD Structural wood sheathing directly applied or 6-0-0 oc purlins.
 BOT CHORD Rigid ceiling directly applied or 10-0-0 oc bracing.
 WEBS 1 Row at midpt 4-12

REACTIONS (lb/size) 1=336/0-3-8, (min. 0-1-8), 8=883/0-3-8, (min. 0-1-8),
 13=888/0-3-8, (min. 0-1-8)
 Max Horiz 1=-149 (LC 9)
 Max Uplift 1=-46 (LC 11), 8=-109 (LC 11), 13=-58 (LC 11)
 Max Grav 1=336 (LC 1), 8=883 (LC 1), 13=911 (LC 19)

MiTek recommends that Stabilizers and required cross bracing be installed during truss erection, in accordance with Stabilizer Installation guide.

FORCES (lb) - Max. Comp./Max. Ten. - All forces 250 (lb) or less except when shown.
 TOP CHORD 1-2=-264/0, 2-22=-259/77, 3-23=-588/169, 4-23=-489/190, 4-24=-831/220, 5-24=-915/200, 5-6=-926/178, 6-7=-890/149, 7-8=-467/0
 BOT CHORD 1-13=-82/255, 12-13=0/255, 12-25=0/484, 11-25=0/484, 11-26=0/484, 10-26=0/484, 8-10=-9/805
 WEBS 3-12=0/433, 4-10=-74/605, 6-10=-342/183, 3-13=-870/80

NOTES

- Unbalanced roof live loads have been considered for this design.
- Wind: ASCE 7-10; Vult=115mph (3-second gust) Vasd=91mph; TCCL=6.0psf; BCDL=6.0psf; h=30ft; B=20ft; L=26ft; eave=4ft; Cat. II; Exp B; Enclosed; MWFRS (directional) and C-C Exterior (2) 0-0-0 to 3-0-0, Interior (1) 3-0-0 to 12-9-8, Exterior (2) 12-9-8 to 15-9-8, Interior (1) 15-9-8 to 26-7-0 zone; cantilever left and right exposed; end vertical left and right exposed; C-C for members and forces & MWFRS for reactions shown; Lumber DOL=1.60 plate grip DOL=1.60
- * This truss has been designed for a live load of 20.0psf on the bottom chord in all areas where a rectangle 3-06-00 tall by 2-00-00 wide will fit between the bottom chord and any other members, with BCDL = 10.0psf.
- Provide mechanical connection (by others) of truss to bearing plate capable of withstanding 46 lb uplift at joint 1, 109 lb uplift at joint 8 and 58 lb uplift at joint 13.
- This truss is designed in accordance with the 2015 International Building Code section 2306.1 and referenced standard ANSI/TPI 1.

LOAD CASE(S) Standard

Job Q-2101675-1	Truss T3GE	Truss Type Common Supported Gable	Qty 1	Ply 1	Ellington Crawl V5-Roof Job Reference (optional)
--------------------	---------------	--------------------------------------	----------	----------	---

Peak Truss Builders LLC, New Hill, user

Run: 8.43 S Feb 3 2021 Print: 8.430 S Feb 3 2021 MiTek Industries, Inc. Wed Jul 28 09:30:52

Page: 1

ID:0gS?bb9tQil8PvVU6LVB8uzs97Y-?FO1ZzkyVFLNwRoX2acX5gAVILHOu3QnYcNWL6y7n

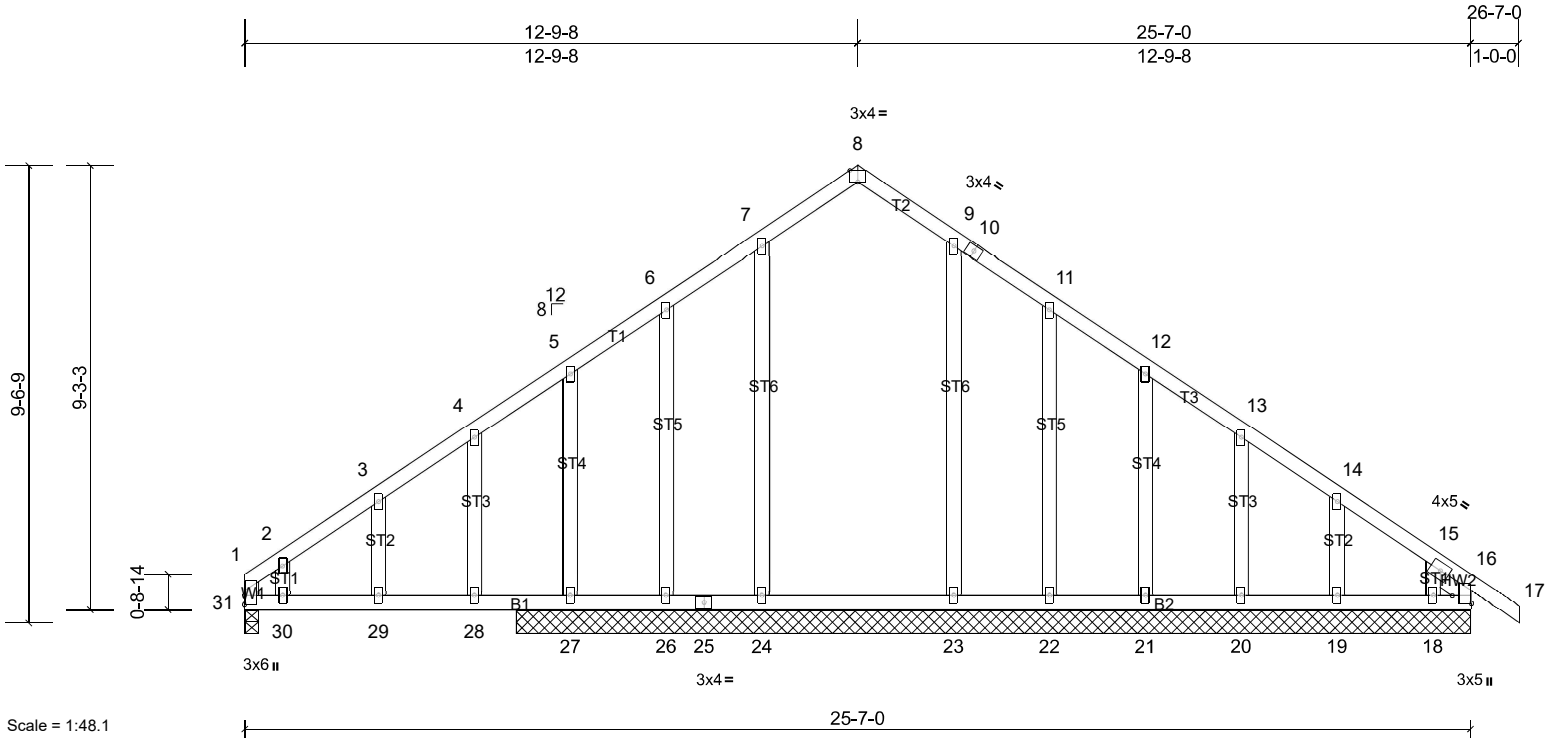


Plate Offsets (X, Y): [8:0-2-0,Edge], [16:Edge,0-4-9]

Loading	(psf)	Spacing	2-0-0	CSI	DEFL	in (loc)	l/defl	L/d	PLATES	GRIP		
TCLL (roof)	20.0	Plate Grip DOL	1.15	TC	0.26	Vert(LL)	0.08	28-29	>999	240	MT20	244/190
TCDL	10.0	Lumber DOL	1.15	BC	0.32	Vert(CT)	-0.11	28-29	>731	180		
BCLL	0.0*	Rep Stress Incr	YES	WB	0.14	Horz(CT)	0.01	16	n/a	n/a		
BCDL	10.0	Code	IBC2015/TPI2014	Matrix-MS								Weight: 160 lb FT = 20%

LUMBER
 TOP CHORD 2x4 SP No.1
 BOT CHORD 2x4 SP No.1
 WEBS 2x4 SP No.3
 OTHERS 2x4 SP No.3
 SLIDER Right 2x4 SP No.3 -- 0-9-15

BRACING
 TOP CHORD Structural wood sheathing directly applied or 6-0-0 oc purlins, except end verticals.
 BOT CHORD Rigid ceiling directly applied or 10-0-0 oc bracing.

MiTek recommends that Stabilizers and required cross bracing be installed during truss erection, in accordance with Stabilizer Installation guide.

REACTIONS All bearings 19-11-0, except 31=0-3-8
 (lb) - Max Horiz 31=158 (LC 9)
 Max Uplift All uplift 100 (lb) or less at joint(s) 19, 20, 21, 22, 26 except 18=101 (LC 11), 27=187 (LC 11)
 Max Grav All reactions 250 (lb) or less at joint(s) 18, 19, 20, 21, 22, 23, 26 except 16=268 (LC 19), 24=279 (LC 19), 27=587 (LC 19), 31=305 (LC 1), 32=268 (LC 19)

FORCES (lb) - Max. Comp./Max. Ten. - All forces 250 (lb) or less except when shown.
 WEBS 5-27=-295/126

- NOTES**
- Unbalanced roof live loads have been considered for this design.
 - Wind: ASCE 7-10; Vult=115mph (3-second gust) Vasd=91mph; TCDL=6.0psf; BCDL=6.0psf; h=30ft; B=20ft; L=26ft; eave=2ft; Cat. II; Exp B; Enclosed; MWFRS (directional) and C-C Corner (3) 0-1-12 to 3-1-12, Exterior (2) 3-1-12 to 12-9-8, Corner (3) 12-9-8 to 15-9-8, Exterior (2) 15-9-8 to 26-7-0 zone; cantilever left and right exposed; end vertical left and right exposed; C-C for members and forces & MWFRS for reactions shown; Lumber DOL=1.60 plate grip DOL=1.60
 - Truss designed for wind loads in the plane of the truss only. For studs exposed to wind (normal to the face), see Standard Industry Gable End Details as applicable, or consult qualified building designer as per ANSI/TPI 1.
 - All plates are 2x4 MT20 unless otherwise indicated.
 - Gable studs spaced at 2-0-0 oc.
 - * This truss has been designed for a live load of 20.0psf on the bottom chord in all areas where a rectangle 3-06-00 tall by 2-00-00 wide will fit between the bottom chord and any other members, with BCDL = 10.0psf.
 - Provide mechanical connection (by others) of truss to bearing plate capable of withstanding 100 lb uplift at joint(s) 26, 22, 21, 20, 19 except (jt=lb) 27=187, 18=100.
 - This truss is designed in accordance with the 2015 International Building Code section 2306.1 and referenced standard ANSI/TPI 1.

LOAD CASE(S) Standard

Job Q-2101675-1	Truss T4	Truss Type Common	Qty 7	Ply 1	Ellington Crawl V5-Roof Job Reference (optional)
--------------------	-------------	----------------------	----------	----------	---

Peak Truss Builders LLC, New Hill, user

Run: 8.43 S Feb 3 2021 Print: 8.430 S Feb 3 2021 MiTek Industries, Inc. Wed Jul 28 09:30:52

Page: 1

ID:0gS?bb9tQil8PvVU6LVB8uzs97Y-?F01ZkyVFLNwRoX2acX5gAPnLF4u23nYcNWL6ybt7n

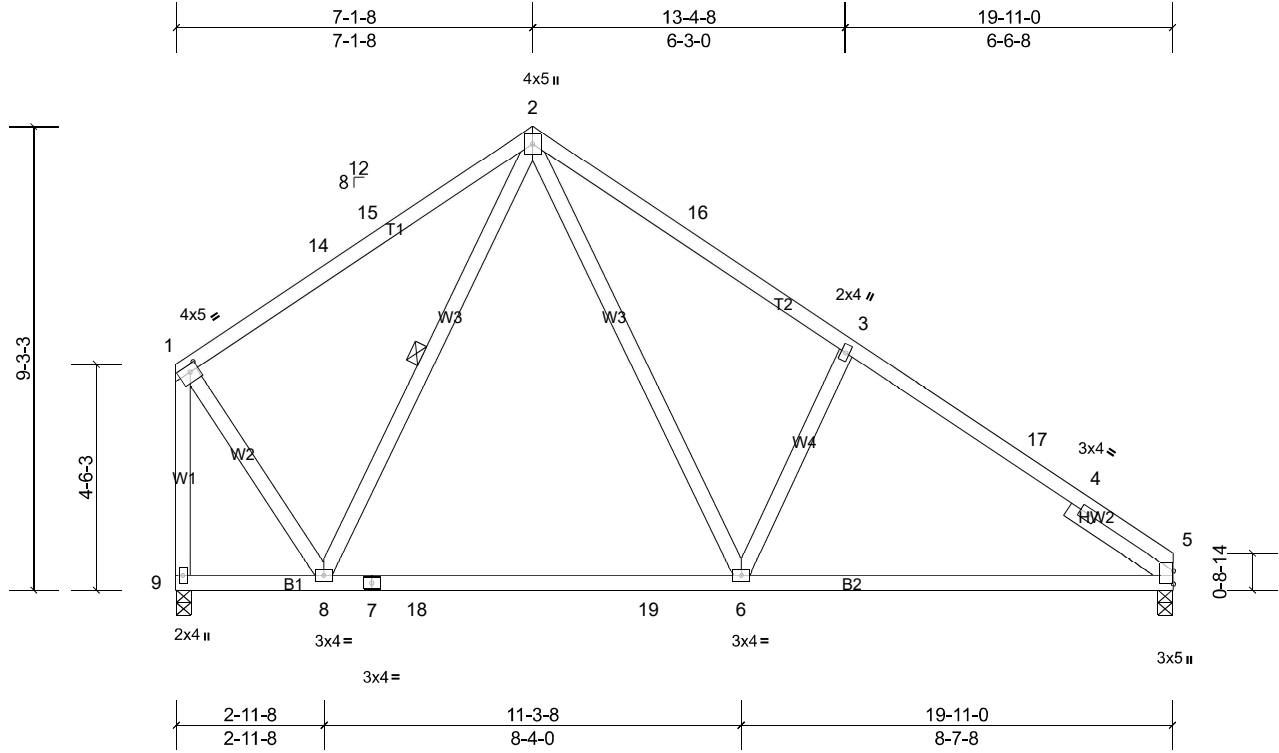


Plate Offsets (X, Y): [1:Edge,0-1-12]

Loading	(psf)	Spacing	2-0-0	CSI	DEFL	in	(loc)	l/defl	L/d	PLATES	GRIP
TCLL (roof)	20.0	Plate Grip DOL	1.15	TC	0.61	Vert(LL)	-0.18	6-8	>999	240	MT20 244/190
TCDL	10.0	Lumber DOL	1.15	BC	0.47	Vert(CT)	-0.26	6-8	>930	180	
BCLL	0.0*	Rep Stress Incr	YES	WB	0.23	Horz(CT)	0.01	5	n/a	n/a	
BCDL	10.0	Code	IBC2015/TPI2014	Matrix-MS							Weight: 119 lb FT = 20%

LUMBER
 TOP CHORD 2x4 SP No.1
 BOT CHORD 2x4 SP No.1
 WEBS 2x4 SP No.3
 SLIDER Right 2x4 SP No.3 -- 2-6-0

BRACING
 TOP CHORD Structural wood sheathing directly applied or 6-0-0 oc purlins, except end verticals.
 BOT CHORD Rigid ceiling directly applied or 10-0-0 oc bracing.
 WEBS 1 Row at midpt 2-8

REACTIONS (lb/size) 5=791/0-3-8, (min. 0-1-8), 9=791/0-3-8, (min. 0-1-8)
 Max Horiz 9=-197 (LC 9)
 Max Uplift 5=-64 (LC 11), 9=-76 (LC 11)
 Max Grav 5=791 (LC 1), 9=798 (LC 20)

MiTek recommends that Stabilizers and required cross bracing be installed during truss erection, in accordance with Stabilizer Installation guide.

FORCES (lb) - Max. Comp./Max. Ten. - All forces 250 (lb) or less except when shown.
 TOP CHORD 1-14=-494/107, 14-15=-399/110, 2-15=-384/134, 2-16=-784/200, 3-16=-878/180, 3-17=-842/129, 4-17=-933/106, 4-5=-509/0, 1-9=-839/73
 BOT CHORD 7-8=0/463, 7-18=0/463, 18-19=0/463, 6-19=0/463, 5-6=-22/768
 WEBS 2-6=-76/610, 3-6=-346/183, 2-8=-291/64, 1-8=0/580

- NOTES**
- Unbalanced roof live loads have been considered for this design.
 - Wind: ASCE 7-10; Vult=115mph (3-second gust) Vasd=91mph; TCDL=6.0psf; BCDL=6.0psf; h=30ft; B=20ft; L=20ft; eave=4ft; Cat. II; Exp B; Enclosed; MWFRS (directional) and C-C Exterior (2) 5-9-12 to 8-9-12, Interior (1) 8-9-12 to 12-9-8, Exterior (2) 12-9-8 to 15-9-8, Interior (1) 15-9-8 to 25-7-0 zone; cantilever left and right exposed; end vertical left and right exposed; C-C for members and forces & MWFRS for reactions shown; Lumber DOL=1.60 plate grip DOL=1.60
 - * This truss has been designed for a live load of 20.0psf on the bottom chord in all areas where a rectangle 3-06-00 tall by 2-00-00 wide will fit between the bottom chord and any other members, with BCDL = 10.0psf.
 - Provide mechanical connection (by others) of truss to bearing plate capable of withstanding 64 lb uplift at joint 5 and 76 lb uplift at joint 9.
 - This truss is designed in accordance with the 2015 International Building Code section 2306.1 and referenced standard ANSI/TPI 1.

LOAD CASE(S) Standard

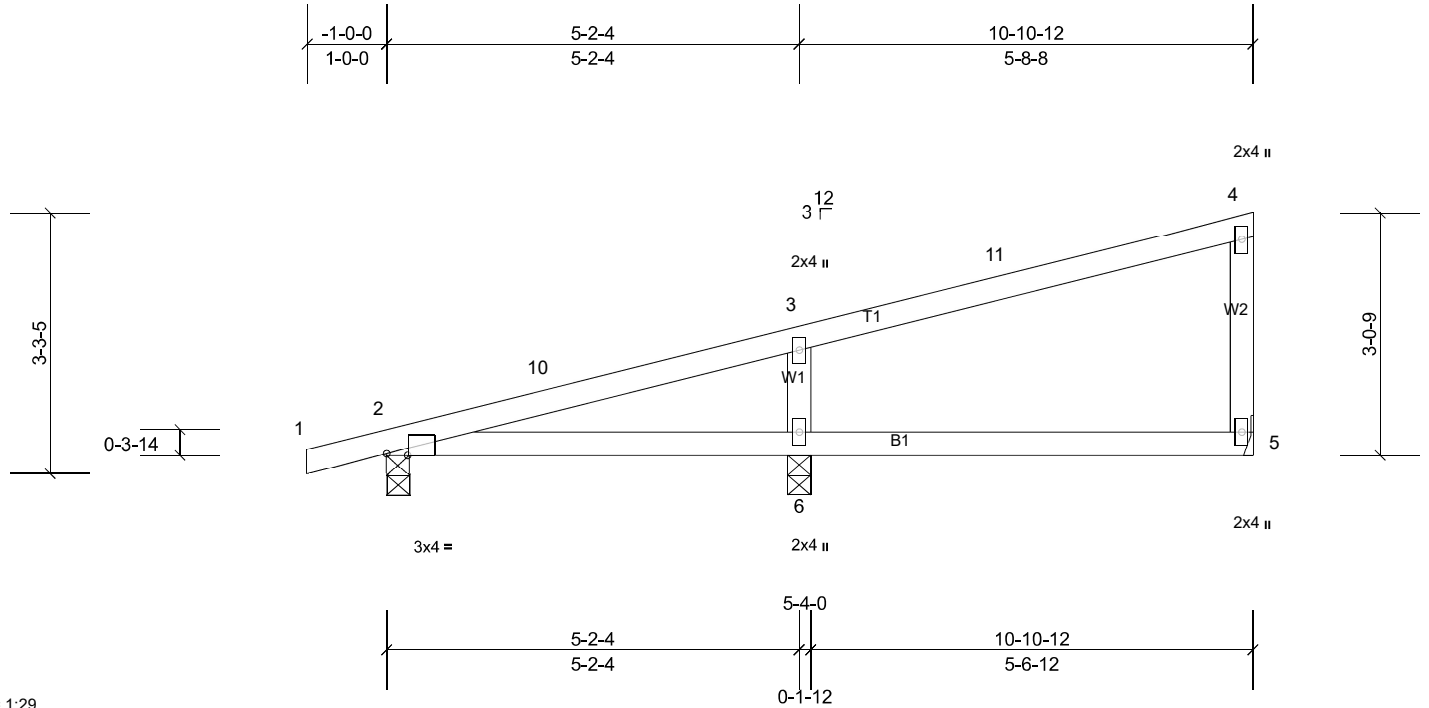
Job Q-2101675-1	Truss T5	Truss Type Monopitch	Qty 6	Ply 1	Ellington Crawl V5-Roof Job Reference (optional)
--------------------	-------------	-------------------------	----------	----------	---

Peak Truss Builders LLC, New Hill, user

Run: 8.43 S Feb 3 2021 Print: 8.430 S Feb 3 2021 MiTek Industries, Inc. Wed Jul 28 09:30:52

Page: 1

ID:qAMbr6MNIAYaRCp?vn7pDlznbQ5-?FO1ZzkyVFLNwRoX2acX5gAUuLKlu4XnYCnWL6ybt7n



Scale = 1:29

Plate Offsets (X, Y): [2:0-3-4,Edge]

Loading	(psf)	Spacing	2-0-0	CSI	DEFL	in	(loc)	l/defl	L/d	PLATES	GRIP	
TCLL (roof)	20.0	Plate Grip DOL	1.15	TC	0.28	Vert(LL)	-0.01	6-9	>999	240	MT20	244/190
TCDL	10.0	Lumber DOL	1.15	BC	0.14	Vert(CT)	-0.03	6-9	>999	180		
BCLL	0.0*	Rep Stress Incr	YES	WB	0.07	Horz(CT)	0.00	5	n/a	n/a		
BCDL	10.0	Code	IBC2015/TPI2014	Matrix-MS							Weight: 40 lb	FT = 20%

LUMBER

TOP CHORD 2x4 SP No.1
 BOT CHORD 2x4 SP No.1
 WEBS 2x4 SP No.3

BRACING

TOP CHORD Structural wood sheathing directly applied or 6-0-0 oc purlins, except end verticals.
 BOT CHORD Rigid ceiling directly applied or 10-0-0 oc bracing.

REACTIONS (lb/size) 2=229/0-3-8, (min. 0-1-8), 5=182/ Mechanical, (min. 0-1-8),
 6=509/0-3-8, (min. 0-1-8)
 Max Horiz 2=82 (LC 10)
 Max Uplift 2=-39 (LC 11), 5=-15 (LC 11), 6=-54 (LC 11)

MiTek recommends that Stabilizers and required cross bracing be installed during truss erection, in accordance with Stabilizer Installation guide.

FORCES (lb) - Max. Comp./Max. Ten. - All forces 250 (lb) or less except when shown.
 WEBS 3-6=-367/119

NOTES

- 1) Wind: ASCE 7-10; Vult=115mph (3-second gust) Vasd=91mph; TCDL=6.0psf; BCDL=6.0psf; h=30ft; B=20ft; L=20ft; eave=4ft; Cat. II; Exp B; Enclosed; MWFRS (directional) and C-C Exterior (2) -1-0-0 to 2-0-0, Interior (1) 2-0-0 to 10-9-0 zone; cantilever left and right exposed ; end vertical left and right exposed;C-C for members and forces & MWFRS for reactions shown; Lumber DOL=1.60 plate grip DOL=1.60
- 2) * This truss has been designed for a live load of 20.0psf on the bottom chord in all areas where a rectangle 3-06-00 tall by 2-00-00 wide will fit between the bottom chord and any other members.
- 3) Refer to girder(s) for truss to truss connections.
- 4) Provide mechanical connection (by others) of truss to bearing plate capable of withstanding 15 lb uplift at joint 5, 39 lb uplift at joint 2 and 54 lb uplift at joint 6.
- 5) This truss is designed in accordance with the 2015 International Building Code section 2306.1 and referenced standard ANSI/TPI 1.

LOAD CASE(S) Standard

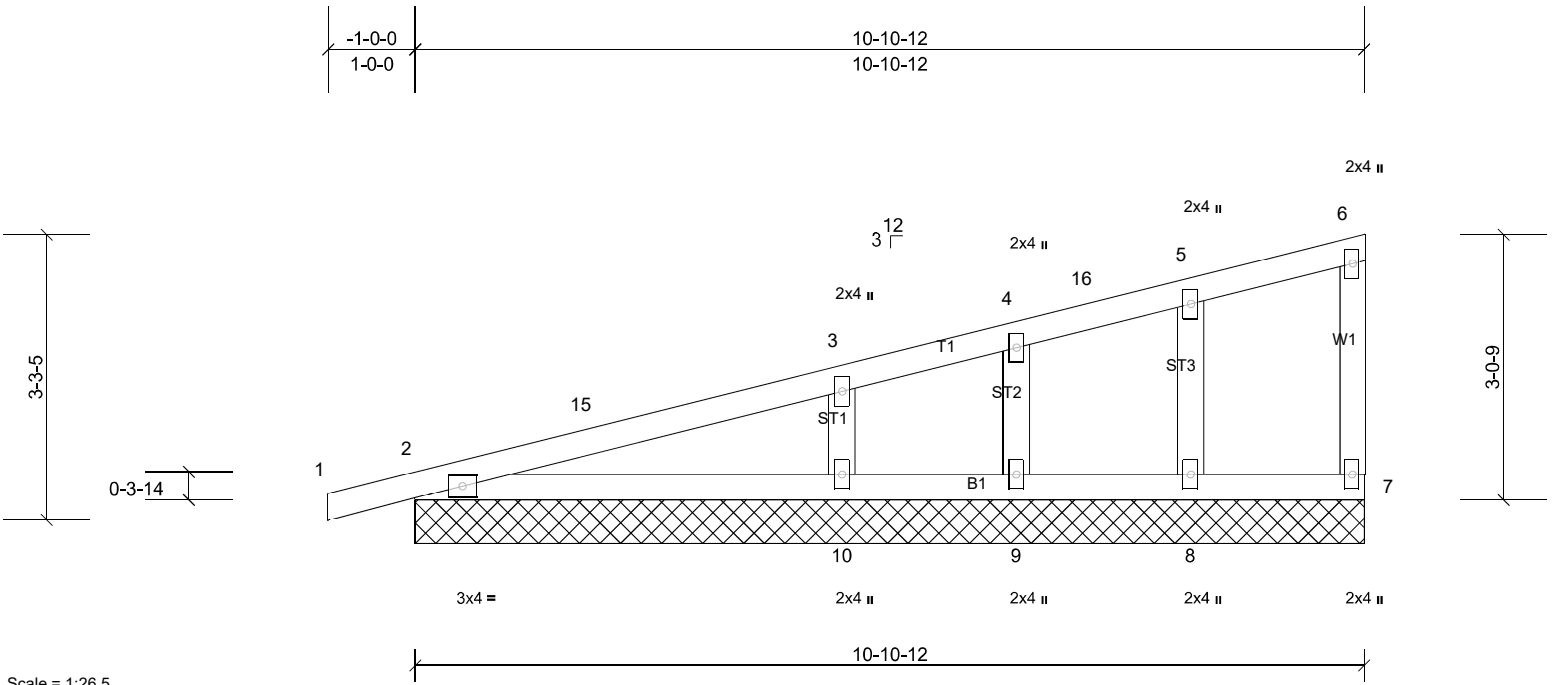
Job Q-2101675-1	Truss T5GE	Truss Type Monopitch Supported Gable	Qty 1	Ply 1	Ellington Crawl V5-Roof Job Reference (optional)
--------------------	---------------	---	----------	----------	---

Peak Truss Builders LLC, New Hill, user

Run: 8.43 S Feb 3 2021 Print: 8.430 S Feb 3 2021 MiTek Industries, Inc. Wed Jul 28 09:30:53

Page: 1

ID: ygfWZYXXhABkV/CIVA?ssF2znbPu-TRyQnlkaGZTEYbNjbH7mdujhxlgJdY7wnsW3tYybt7m



Scale = 1:26.5

Loading	(psf)	Spacing	2-0-0	CSI	DEFL	in	(loc)	l/defl	L/d	PLATES	GRIP	
TCLL (roof)	20.0	Plate Grip DOL	1.15	TC	0.16	Vert(LL)	n/a	-	n/a	999	MT20	244/190
TCDL	10.0	Lumber DOL	1.15	BC	0.15	Vert(CT)	n/a	-	n/a	999		
BCLL	0.0*	Rep Stress Incr	YES	WB	0.05	Horz(CT)	0.00	7	n/a	n/a		
BCDL	10.0	Code	IBC2015/TPI2014	Matrix-MS							Weight: 45 lb	FT = 20%

LUMBER

TOP CHORD 2x4 SP No.1
 BOT CHORD 2x4 SP No.1
 WEBS 2x4 SP No.3
 OTHERS 2x4 SP No.3

BRACING

TOP CHORD Structural wood sheathing directly applied or 6-0-0 oc purlins, except end verticals.
 BOT CHORD Rigid ceiling directly applied or 10-0-0 oc bracing.

REACTIONS

All bearings 10-10-12.
 (lb) - Max Horiz 2=82 (LC 10), 11=82 (LC 10)
 Max Uplift All uplift 100 (lb) or less at joint(s) 2, 7, 8, 9, 10, 11
 Max Grav All reactions 250 (lb) or less at joint(s) 2, 7, 8, 9, 11 except 10=395 (LC 1)

MiTek recommends that Stabilizers and required cross bracing be installed during truss erection, in accordance with Stabilizer Installation guide.

FORCES

(lb) - Max. Comp./Max. Ten. - All forces 250 (lb) or less except when shown.

WEBS

3-10=-258/110

NOTES

- 1) Wind: ASCE 7-10; Vult=115mph (3-second gust) Vasd=91mph; TCCL=6.0psf; BCDL=6.0psf; h=30ft; B=20ft; L=20ft; eave=2ft; Cat. II; Exp B; Enclosed; MWFRS (directional) and C-C Corner (3) -1-0-0 to 2-0-0, Exterior (2) 2-0-0 to 10-9-0 zone; cantilever left and right exposed; end vertical left and right exposed; C-C for members and forces & MWFRS for reactions shown; Lumber DOL=1.60 plate grip DOL=1.60
- 2) Truss designed for wind loads in the plane of the truss only. For studs exposed to wind (normal to the face), see Standard Industry Gable End Details as applicable, or consult qualified building designer as per ANSI/TPI 1.
- 3) All plates are 2x4 MT20 unless otherwise indicated.
- 4) Gable requires continuous bottom chord bearing.
- 5) Gable studs spaced at 2-0-0 oc.
- 6) * This truss has been designed for a live load of 20.0psf on the bottom chord in all areas where a rectangle 3-06-00 tall by 2-00-00 wide will fit between the bottom chord and any other members.
- 7) Provide mechanical connection (by others) of truss to bearing plate capable of withstanding 100 lb uplift at joint(s) 2, 7, 8, 9, 10, 2.
- 8) This truss is designed in accordance with the 2015 International Building Code section 2306.1 and referenced standard ANSI/TPI 1.

LOAD CASE(S) Standard

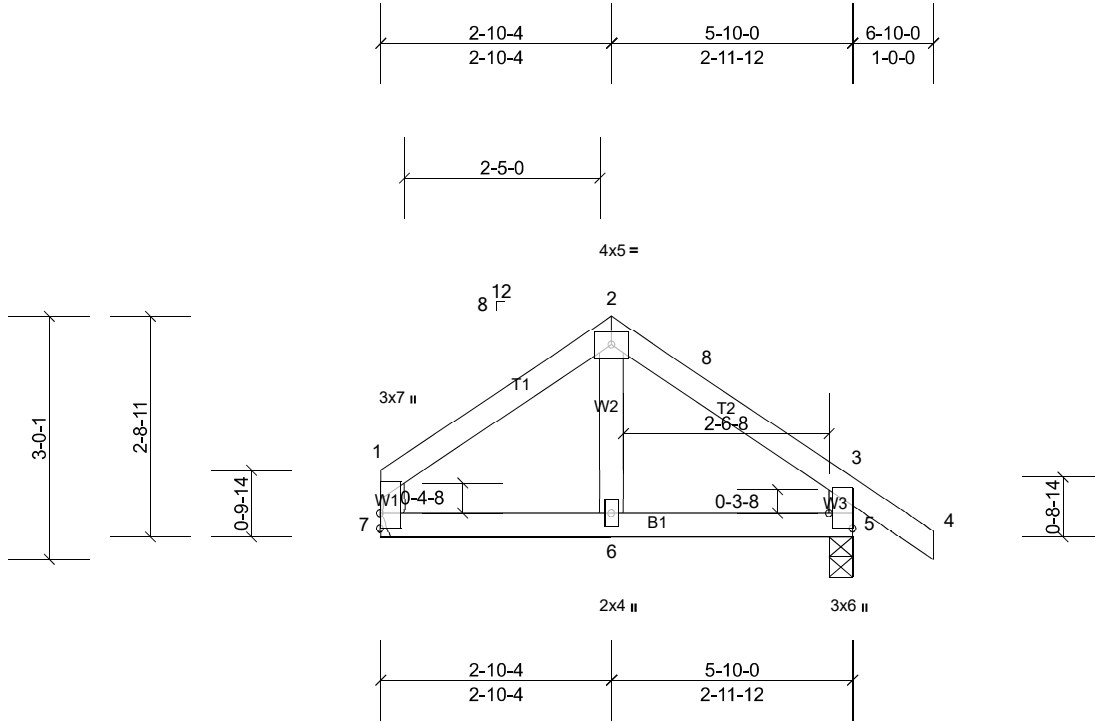
Job Q-2101675-1	Truss T6	Truss Type Common	Qty 3	Ply 1	Ellington Crawl V5-Roof Job Reference (optional)
--------------------	-------------	----------------------	----------	----------	---

Peak Truss Builders LLC, New Hill, user

Run: 8.43 S Feb 3 2021 Print: 8.430 S Feb 3 2021 MiTek Industries, Inc. Wed Jul 28 09:30:53

Page: 1

ID:Vs0NpxAVB?Q?134gg31Qh6zs97X-TRyQnlkaGZTEYbNjbH7mdujghodYZwnsW3tYytb7m



Scale = 1:28.5

Plate Offsets (X, Y): [5:Edge,0-3-8]

Loading	(psf)	Spacing	2-0-0	CSI		DEFL	in	(loc)	l/defl	L/d	PLATES	GRIP
TCLL (roof)	20.0	Plate Grip DOL	1.15	TC	0.15	Vert(LL)	0.00	6	>999	240	MT20	244/190
TCDL	10.0	Lumber DOL	1.15	BC	0.07	Vert(CT)	-0.01	6	>999	180		
BCLL	0.0*	Rep Stress Incr	YES	WB	0.02	Horz(CT)	0.00	5	n/a	n/a		
BCDL	10.0	Code	IBC2015/TPI2014	Matrix-MR							Weight: 26 lb	FT = 20%

LUMBER

TOP CHORD 2x4 SP No.1
 BOT CHORD 2x4 SP No.1
 WEBS 2x4 SP No.3

BRACING

TOP CHORD Structural wood sheathing directly applied or 5-11-8 oc purlins, except end verticals.
 BOT CHORD Rigid ceiling directly applied or 10-0-0 oc bracing.

REACTIONS (lb/size) 5=298/0-3-8, (min. 0-1-8), 7=215/ Mechanical, (min. 0-1-8)
 Max Horiz 7=-55 (LC 9)
 Max Uplift 5=-58 (LC 11), 7=-17 (LC 11)

FORCES (lb) - Max. Comp./Max. Ten. - All forces 250 (lb) or less except when shown.
 TOP CHORD 3-5=-256/88

NOTES

- Unbalanced roof live loads have been considered for this design.
- Wind: ASCE 7-10; Vult=115mph (3-second gust) Vasd=91mph; TCDL=6.0psf; BCDL=6.0psf; h=30ft; B=20ft; L=20ft; eave=4ft; Cat. II; Exp B; Enclosed; MWFRS (directional) and C-C Exterior (2) 0-3-4 to 5-9-12, Interior (1) 5-9-12 to 6-11-8 zone; cantilever left and right exposed; end vertical left and right exposed; C-C for members and forces & MWFRS for reactions shown; Lumber DOL=1.60 plate grip DOL=1.60
- * This truss has been designed for a live load of 20.0psf on the bottom chord in all areas where a rectangle 3-06-00 tall by 2-00-00 wide will fit between the bottom chord and any other members.
- Refer to girder(s) for truss to truss connections.
- Provide mechanical connection (by others) of truss to bearing plate capable of withstanding 17 lb uplift at joint 7 and 58 lb uplift at joint 5.
- This truss is designed in accordance with the 2015 International Building Code section 2306.1 and referenced standard ANSI/TPI 1.

LOAD CASE(S) Standard

MiTek recommends that Stabilizers and required cross bracing be installed during truss erection, in accordance with Stabilizer Installation guide.

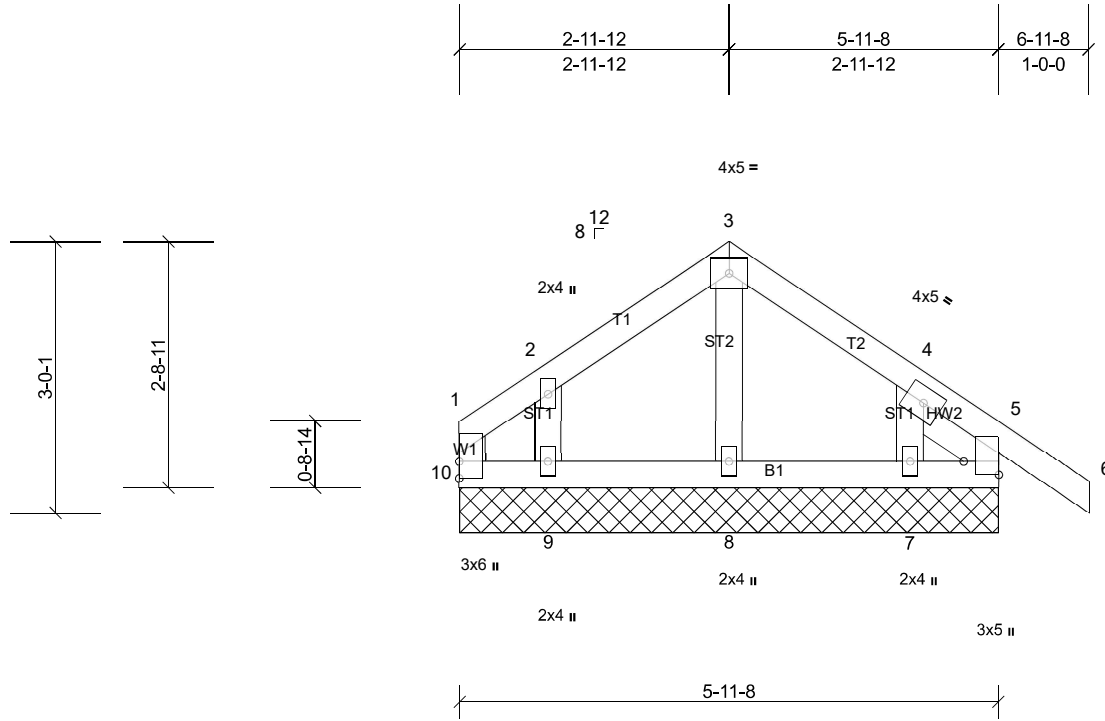
Job Q-2101675-1	Truss T6GE	Truss Type Common Supported Gable	Qty 1	Ply 1	Ellington Crawl V5-Roof Job Reference (optional)
--------------------	---------------	--------------------------------------	----------	----------	---

Peak Truss Builders LLC, New Hill, user

Run: 8.43 S Feb 3 2021 Print: 8.430 S Feb 3 2021 MiTek Industries, Inc. Wed Jul 28 09:30:54

Page: 1

ID:Vs0NpxAVB?Q?134gg31Qh6zs97X-xdWo_eID0sb4Alyw9?e?A5Fu_82gM?o30WGdP_ytb71



Scale = 1:25.5

Plate Offsets (X, Y): [5:Edge,0-4-9]

Loading	(psf)	Spacing	2-0-0	CSI		DEFL	in	(loc)	l/defl	L/d	PLATES	GRIP
TCLL (roof)	20.0	Plate Grip DOL	1.15	TC	0.05	Vert(LL)	n/a	-	n/a	999	MT20	244/190
TCDL	10.0	Lumber DOL	1.15	BC	0.02	Vert(CT)	n/a	-	n/a	999		
BCLL	0.0*	Rep Stress Incr	YES	WB	0.02	Horz(CT)	0.00	5	n/a	n/a		
BCDL	10.0	Code	IBC2015/TPI2014	Matrix-MP							Weight: 29 lb	FT = 20%

LUMBER

TOP CHORD 2x4 SP No.1
 BOT CHORD 2x4 SP No.1
 WEBS 2x4 SP No.3
 OTHERS 2x4 SP No.3
 SLIDER Right 2x4 SP No.3 -- 1-0-11

BRACING

TOP CHORD Structural wood sheathing directly applied or 5-11-8 oc purlins, except end verticals.
 BOT CHORD Rigid ceiling directly applied or 10-0-0 oc bracing.

REACTIONS All bearings 5-11-8.

(lb) - Max Horiz 10--51 (LC 9)
 Max Uplift All uplift 100 (lb) or less at joint(s) 5, 7, 9, 10, 11
 Max Grav All reactions 250 (lb) or less at joint(s) 5, 7, 8, 9, 10, 11

FORCES (lb) - Max. Comp./Max. Ten. - All forces 250 (lb) or less except when shown.

NOTES

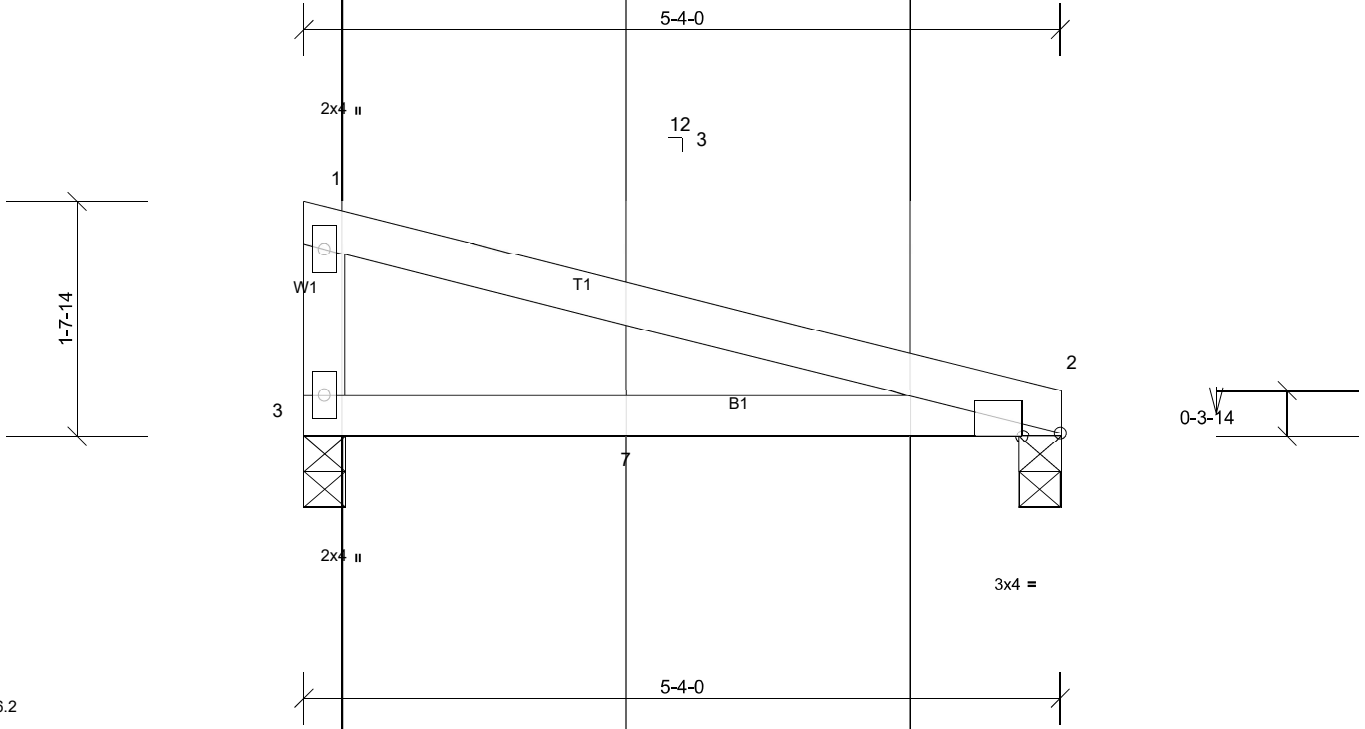
- Unbalanced roof live loads have been considered for this design.
- Wind: ASCE 7-10; Vult=115mph (3-second gust) Vasd=91mph; TCDL=6.0psf; BCDL=6.0psf; h=30ft; B=20ft; L=20ft; eave=2ft; Cat. II; Exp B; Enclosed; MWFRS (directional) and C-C Corner (3) 0-1-12 to 5-11-8, Exterior (2) 5-11-8 to 6-11-8 zone; cantilever left and right exposed; end vertical left and right exposed; C-C for members and forces & MWFRS for reactions shown; Lumber DOL=1.60 plate grip DOL=1.60
- Truss designed for wind loads in the plane of the truss only. For studs exposed to wind (normal to the face), see Standard Industry Gable End Details as applicable, or consult qualified building designer as per ANSI/TPI 1.
- Gable requires continuous bottom chord bearing.
- Gable studs spaced at 2-0-0 oc.
- * This truss has been designed for a live load of 20.0psf on the bottom chord in all areas where a rectangle 3-06-00 tall by 2-00-00 wide will fit between the bottom chord and any other members.
- Provide mechanical connection (by others) of truss to bearing plate capable of withstanding 100 lb uplift at joint(s) 10, 5, 9, 7, 5.
- This truss is designed in accordance with the 2015 International Building Code section 2306.1 and referenced standard ANSI/TPI 1.

LOAD CASE(S) Standard

MiTek recommends that Stabilizers and required cross bracing be installed during truss erection, in accordance with Stabilizer Installation guide.

Job Q-2101675-1	Truss T7GRD	Truss Type Roof Special Girder	Qty 1	Ply 1	Ellington Crawl V5-Roof Job Reference (optional)
--------------------	----------------	-----------------------------------	----------	----------	---

Peak Truss Builders LLC, New Hill, user Run: 8.43 S Feb 3 2021 Print: 8.430 S Feb 3 2021 MiTek Industries, Inc. Wed Jul 28 09:30:54 Page: 1
ID:z2al0HA7yJyseDfsEmYfDJzs97W-xdWo_elD0sb4Alyw9?e?A5FId8thM?A30WGdP_ytb7I



Scale = 1:16.2

Plate Offsets (X, Y): [2:0-3-4,Edge]

Loading	(psf)	Spacing	2-0-0	CSI	0.59	DEFL	in	(loc)	l/defl	L/d	PLATES	GRIP
TCLL (roof)	20.0	Plate Grip DOL	1.15	TC	0.59	Vert(LL)	-0.08	3-6	>736	240	MT20	244/190
TCDL	10.0	Lumber DOL	1.15	BC	0.72	Vert(CT)	-0.17	3-6	>376	180		
BCLL	0.0*	Rep Stress Incr	NO	WB	0.00	Horz(CT)	0.00	2	n/a	n/a		
BCDL	10.0	Code	IBC2015/TPI2014	Matrix-MP							Weight: 18 lb	FT = 20%

LUMBER
 TOP CHORD 2x4 SP No.1
 BOT CHORD 2x4 SP No.1
 WEBS 2x4 SP No.3

BRACING
 TOP CHORD Structural wood sheathing directly applied or 10-0-0 oc purlins, except end verticals.
 BOT CHORD Rigid ceiling directly applied or 10-0-0 oc bracing.

REACTIONS (lb/size) 2=441/0-3-8, (min. 0-1-8), 3=566/0-3-8, (min. 0-1-8)
 Max Horiz 3=-38 (LC 5)
 Max Uplift 2=-51 (LC 7), 3=-67 (LC 7)

MiTek recommends that Stabilizers and required cross bracing be installed during truss erection, in accordance with Stabilizer Installation guide.

FORCES (lb) - Max. Comp./Max. Ten. - All forces 250 (lb) or less except when shown.

- NOTES**
- 1) Wind: ASCE 7-10; Vult=115mph (3-second gust) Vasd=91mph; TCDL=6.0psf; BCDL=6.0psf; h=30ft; B=20ft; L=20ft; eave=4ft; Cat. II; Exp B; Enclosed; MWFRS (directional); cantilever left and right exposed; end vertical left and right exposed; Lumber DOL=1.60 plate grip DOL=1.60
 - 2) * This truss has been designed for a live load of 20.0psf on the bottom chord in all areas where a rectangle 3-06-00 tall by 2-00-00 wide will fit between the bottom chord and any other members.
 - 3) Provide mechanical connection (by others) of truss to bearing plate capable of withstanding 67 lb uplift at joint 3 and 51 lb uplift at joint 2.
 - 4) This truss is designed in accordance with the 2015 International Building Code section 2306.1 and referenced standard ANSI/TPI 1.
 - 5) "NAILED" indicates 3-10d (0.148"x3") or 3-12d (0.148"x3.25") toe-nails per NDS guidelines.
 - 6) In the LOAD CASE(S) section, loads applied to the face of the truss are noted as front (F) or back (B).

LOAD CASE(S) Standard

- 1) Dead + Roof Live (balanced): Lumber Increase=1.15, Plate Increase=1.15
 Uniform Loads (lb/ft)
 Vert: 1-2=-60, 3-4=-20
 Concentrated Loads (lb)
 Vert: 3=-203 (B), 6=-195 (B), 7=-195 (B)

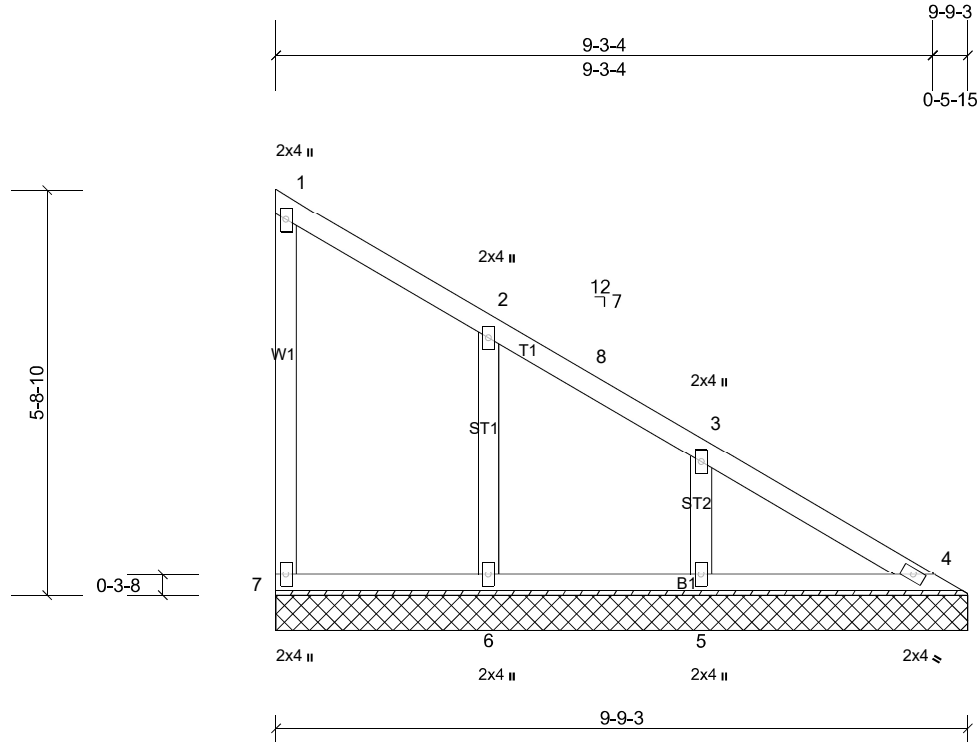
Job Q-2101675-1	Truss V3	Truss Type Valley	Qty 1	Ply 1	Ellington Crawl V5-Roof Job Reference (optional)
--------------------	-------------	----------------------	----------	----------	---

Peak Truss Builders LLC, New Hill, user

Run: 8.43 S Feb 3 2021 Print: 8.430 S Feb 3 2021 MiTek Industries, Inc. Wed Jul 28 09:30:55

Page: 1

ID:tMIEvP1HscLA3QrzRpbiGGzs8sw-Pq4AB_mmAjxnvX6j9EjJo0fYM55SXDEA?AyRy7b7k



Scale = 1:32.5

Loading	(psf)	Spacing	2-0-0	CSI	DEFL	in	(loc)	I/defl	L/d	PLATES	GRIP	
TCLL (roof)	20.0	Plate Grip DOL	1.15	TC	0.25	Vert(LL)	n/a	-	n/a	999	MT20	244/190
TCDL	10.0	Lumber DOL	1.15	BC	0.07	Vert(TL)	n/a	-	n/a	999		
BCLL	0.0*	Rep Stress Incr	YES	WB	0.06	Horiz(TL)	0.00	4	n/a	n/a		
BCDL	10.0	Code	IBC2015/TPI2014	Matrix-S							Weight: 46 lb	FT = 20%

LUMBER

TOP CHORD 2x4 SP No.1
 BOT CHORD 2x4 SP No.1
 WEBS 2x4 SP No.3
 OTHERS 2x4 SP No.3

BRACING

TOP CHORD Structural wood sheathing directly applied or 6-0-0 oc purlins, except end verticals.
 BOT CHORD Rigid ceiling directly applied or 10-0-0 oc bracing.

REACTIONS All bearings 9-9-3.

(lb) - Max Horiz 7=-153 (LC 7)
 Max Uplift All uplift 100 (lb) or less at joint(s) 5, 6, 7
 Max Grav All reactions 250 (lb) or less at joint(s) 4, 7 except 5=284 (LC 1), 6=291 (LC 17)

MiTek recommends that Stabilizers and required cross bracing be installed during truss erection, in accordance with Stabilizer Installation guide.

FORCES

(lb) - Max. Comp./Max. Ten. - All forces 250 (lb) or less except when shown.

NOTES

- Wind: ASCE 7-10; Vult=115mph (3-second gust) Vasd=91mph; TCCL=6.0psf; BCDL=6.0psf; h=30ft; B=20ft; L=20ft; eave=4ft; Cat. II; Exp B; Enclosed; MWFRS (directional) and C-C Exterior (2) 0-1-12 to 4-4-11, Interior (1) 4-4-11 to 9-3-2 zone; cantilever left and right exposed; end vertical left and right exposed; C-C for members and forces & MWFRS for reactions shown; Lumber DOL=1.60 plate grip DOL=1.60
- Gable requires continuous bottom chord bearing.
- * This truss has been designed for a live load of 20.0psf on the bottom chord in all areas where a rectangle 3-06-00 tall by 2-00-00 wide will fit between the bottom chord and any other members, with BCDL = 10.0psf.
- Provide mechanical connection (by others) of truss to bearing plate capable of withstanding 100 lb uplift at joint(s) 7, 6, 5.
- This truss is designed in accordance with the 2015 International Building Code section 2306.1 and referenced standard ANSI/TPI 1.

LOAD CASE(S) Standard

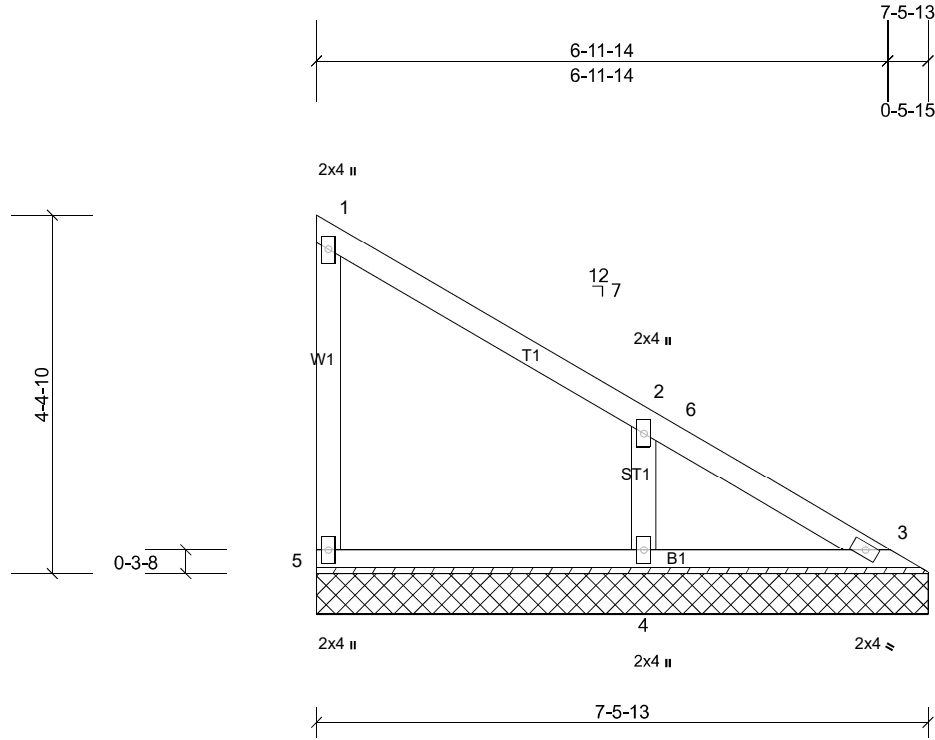
Job Q-2101675-1	Truss V4	Truss Type Valley	Qty 1	Ply 1	Ellington Crawl V5-Roof Job Reference (optional)
--------------------	-------------	----------------------	----------	----------	---

Peak Truss Builders LLC, New Hill, user

Run: 8.43 S Feb 3 2021 Print: 8.430 S Feb 3 2021 MiTek Industries, Inc. Wed Jul 28 09:30:56

Page: 1

ID:oxHidfRYOZA7gubY40DCnxzs8th-t0eYPKnTYUroP36lHPgTFWLB3yJPqvqMTqkUtytb7j



Scale = 1:28.2

Loading	(psf)	Spacing	2-0-0	CSI	DEFL	in	(loc)	l/defl	L/d	PLATES	GRIP	
TCLL (roof)	20.0	Plate Grip DOL	1.15	TC	0.21	Vert(LL)	n/a	-	n/a	999	MT20	244/190
TCDL	10.0	Lumber DOL	1.15	BC	0.06	Vert(TL)	n/a	-	n/a	999		
BCLL	0.0*	Rep Stress Incr	YES	WB	0.05	Horiz(TL)	0.00	3	n/a	n/a		
BCDL	10.0	Code	IBC2015/TPI2014	Matrix-P							Weight: 31 lb	FT = 20%

LUMBER

TOP CHORD 2x4 SP No.1
 BOT CHORD 2x4 SP No.1
 WEBS 2x4 SP No.3
 OTHERS 2x4 SP No.3

BRACING

TOP CHORD Structural wood sheathing directly applied or 6-0-0 oc purlins, except end verticals.
 BOT CHORD Rigid ceiling directly applied or 10-0-0 oc bracing.

REACTIONS (lb/size) 3=78/7-5-13, (min. 0-1-8), 4=346/7-5-13, (min. 0-1-8), 5=123/7-5-13, (min. 0-1-8)
 Max Horiz 5=-115 (LC 7)
 Max Uplift 4=-76 (LC 11), 5=-12 (LC 7)
 Max Grav 3=93 (LC 16), 4=346 (LC 1), 5=125 (LC 17)

MiTek recommends that Stabilizers and required cross bracing be installed during truss erection, in accordance with Stabilizer Installation guide.

FORCES (lb) - Max. Comp./Max. Ten. - All forces 250 (lb) or less except when shown.
 WEBS 2-4=-259/128

NOTES

- 1) Wind: ASCE 7-10; Vult=115mph (3-second gust) Vasd=91mph; TCDL=6.0psf; BCDL=6.0psf; h=30ft; B=20ft; L=20ft; eave=4ft; Cat. II; Exp B; Enclosed; MWFRS (directional) and C-C Exterior (2) 0-1-12 to 4-4-11, Interior (1) 4-4-11 to 6-11-11 zone; cantilever left and right exposed; end vertical left and right exposed; C-C for members and forces & MWFRS for reactions shown; Lumber DOL=1.60 plate grip DOL=1.60
- 2) Gable requires continuous bottom chord bearing.
- 3) * This truss has been designed for a live load of 20.0psf on the bottom chord in all areas where a rectangle 3-06-00 tall by 2-00-00 wide will fit between the bottom chord and any other members.
- 4) Provide mechanical connection (by others) of truss to bearing plate capable of withstanding 12 lb uplift at joint 5 and 76 lb uplift at joint 4.
- 5) This truss is designed in accordance with the 2015 International Building Code section 2306.1 and referenced standard ANSI/TPI 1.

LOAD CASE(S) Standard

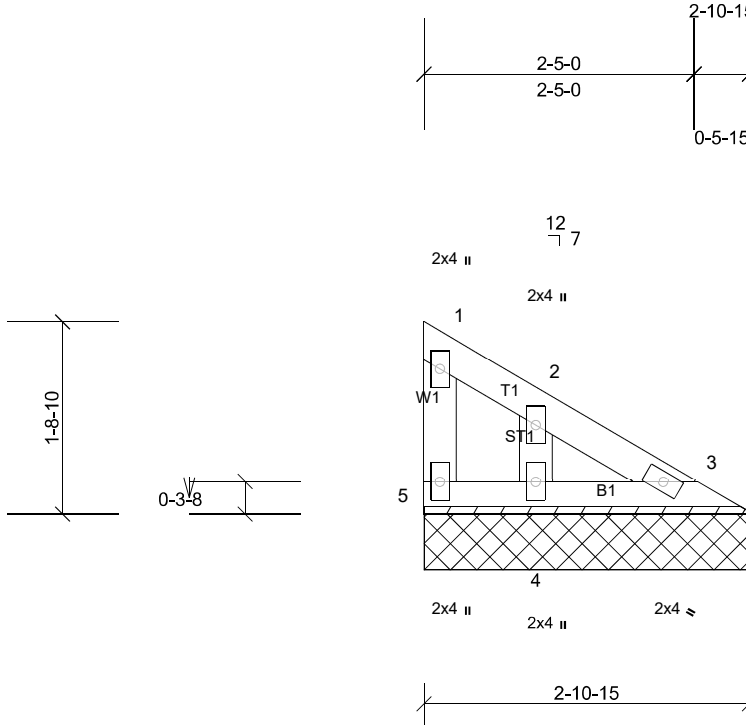
Job Q-2101675-1	Truss V6	Truss Type Valley	Qty 1	Ply 1	Ellington Crawl V5-Roof Job Reference (optional)
--------------------	-------------	----------------------	----------	----------	---

Peak Truss Builders LLC, New Hill, user

Run: 8.43 S Feb 3 2021 Print: 8.430 S Feb 3 2021 MiTek Industries, Inc. Wed Jul 28 09:30:56

Page: 1

ID:Jr1LRd_Gfh39HSQU2p33wezs8vZ-t0eYPKnTYUroP36iHPgTFWLEzyjFqvOMTqkUtytb7j



Scale = 1:20.6

Loading	(psf)	Spacing	2-0-0	CSI	DEFL	in	(loc)	I/defl	L/d	PLATES	GRIP	
TCLL (roof)	20.0	Plate Grip DOL	1.15	TC	0.02	Vert(LL)	n/a	-	n/a	999	MT20	244/190
TCDL	10.0	Lumber DOL	1.15	BC	0.01	Vert(TL)	n/a	-	n/a	999		
BCLL	0.0*	Rep Stress Incr	YES	WB	0.02	Horiz(TL)	0.00	3	n/a	n/a		
BCDL	10.0	Code	IBC2015/TPI2014	Matrix-P							Weight: 11 lb	FT = 20%

LUMBER

TOP CHORD 2x4 SP No.1
 BOT CHORD 2x4 SP No.1
 WEBS 2x4 SP No.3
 OTHERS 2x4 SP No.3

BRACING

TOP CHORD Structural wood sheathing directly applied or 2-11-6 oc purlins, except end verticals.
 BOT CHORD Rigid ceiling directly applied or 10-0-0 oc bracing.

REACTIONS (lb/size) 3=46/2-10-15, (min. 0-1-8), 4=116/2-10-15, (min. 0-1-8),
 5=18/2-10-15, (min. 0-1-8)
 Max Horiz 5=-38 (LC 7)
 Max Uplift 4=-25 (LC 11), 5=-5 (LC 7)
 Max Grav 3=47 (LC 16), 4=116 (LC 1), 5=19 (LC 17)

MiTek recommends that Stabilizers and required cross bracing be installed during truss erection, in accordance with Stabilizer Installation guide.

FORCES (lb) - Max. Comp./Max. Ten. - All forces 250 (lb) or less except when shown.

NOTES

- 1) Wind: ASCE 7-10; Vult=115mph (3-second gust) Vasd=91mph; TC DL=6.0psf; BCDL=6.0psf; h=30ft; B=20ft; L=20ft; eave=4ft; Cat. II; Exp B; Enclosed; MWFRS (directional) and C-C Exterior (2) zone; cantilever left and right exposed; end vertical left and right exposed; C-C for members and forces & MWFRS for reactions shown; Lumber DOL=1.60 plate grip DOL=1.60
- 2) Gable requires continuous bottom chord bearing.
- 3) * This truss has been designed for a live load of 20.0psf on the bottom chord in all areas where a rectangle 3-06-00 tall by 2-00-00 wide will fit between the bottom chord and any other members.
- 4) Provide mechanical connection (by others) of truss to bearing plate capable of withstanding 5 lb uplift at joint 5 and 25 lb uplift at joint 4.
- 5) This truss is designed in accordance with the 2015 International Building Code section 2306.1 and referenced standard ANSI/TPI 1.

LOAD CASE(S) Standard

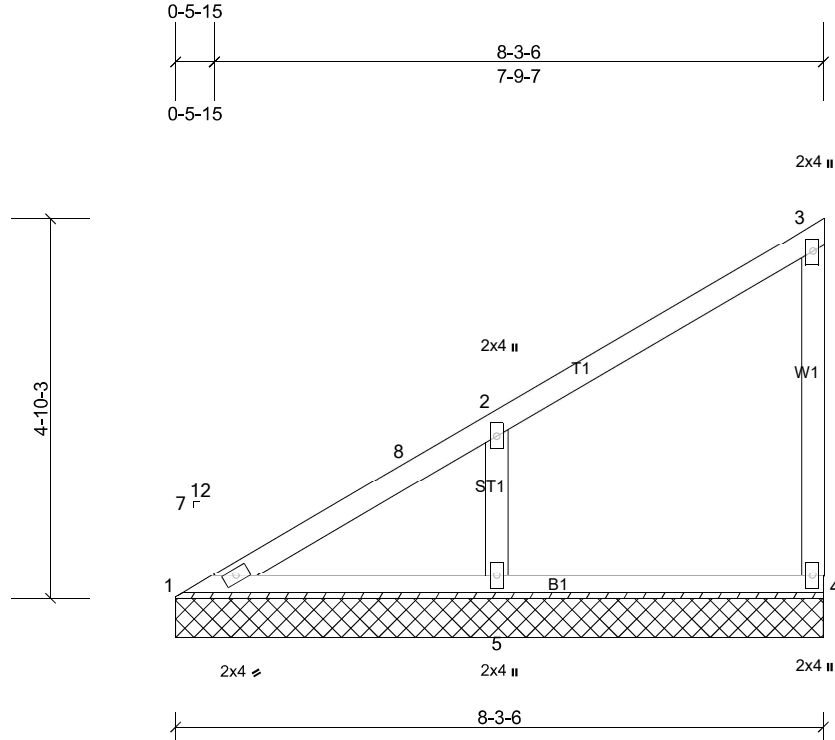
Job Q-2101675-1	Truss V7	Truss Type Valley	Qty 1	Ply 1	Ellington Crawl V5-Roof Job Reference (optional)
--------------------	-------------	----------------------	----------	----------	---

Peak Truss Builders LLC, New Hill, user

Run: 8.43 S Feb 3 2021 Print: 8.430 S Feb 3 2021 MiTek Industries, Inc. Wed Jul 28 09:30:57

Page: 1

ID:GEpRH9OI0fVkj5YkU8q6QlytbP?-MCCwogn5Jnzf1DgVq7BjoktLzM21ZMzWlUUh0Jy7b71



Scale = 1:29.5

Loading	(psf)	Spacing	2-0-0	CSI		DEFL	in	(loc)	l/defl	L/d	PLATES	GRIP
TCLL (roof)	20.0	Plate Grip DOL	1.15	TC	0.26	Vert(LL)	n/a	-	n/a	999	MT20	244/190
TCDL	10.0	Lumber DOL	1.15	BC	0.10	Vert(TL)	n/a	-	n/a	999		
BCLL	0.0*	Rep Stress Incr	YES	WB	0.06	Horiz(TL)	0.00	4	n/a	n/a		
BCDL	10.0	Code	IBC2015/TPI2014	Matrix-MP							Weight: 35 lb	FT = 20%

LUMBER

TOP CHORD 2x4 SP No.1
 BOT CHORD 2x4 SP No.1
 WEBS 2x4 SP No.3
 OTHERS 2x4 SP No.3

BRACING

TOP CHORD Structural wood sheathing directly applied or 6-0-0 oc purlins, except end verticals.
 BOT CHORD Rigid ceiling directly applied or 10-0-0 oc bracing.

REACTIONS (lb/size) 1=124/8-3-6, (min. 0-1-8), 4=121/8-3-6, (min. 0-1-8), 5=406/8-3-6, (min. 0-1-8)
 Max Horiz 1=131 (LC 8)
 Max Uplift 4=-14 (LC 8), 5=-82 (LC 11)
 Max Grav 1=132 (LC 17), 4=124 (LC 16), 5=406 (LC 1)

MiTek recommends that Stabilizers and required cross bracing be installed during truss erection, in accordance with Stabilizer Installation guide.

FORCES (lb) - Max. Comp./Max. Ten. - All forces 250 (lb) or less except when shown.
 WEBS 2-5=-287/131

NOTES

- 1) Wind: ASCE 7-10; Vult=115mph (3-second gust) Vasd=91mph; TCCL=6.0psf; BCDL=6.0psf; h=30ft; B=20ft; L=20ft; eave=4ft; Cat. II; Exp B; Enclosed; MWFRS (directional) and C-C Exterior (2) 0-0-7 to 3-0-7, Interior (1) 3-0-7 to 8-2-1 zone; cantilever left and right exposed; end vertical left and right exposed; C-C for members and forces & MWFRS for reactions shown; Lumber DOL=1.60 plate grip DOL=1.60
- 2) Gable requires continuous bottom chord bearing.
- 3) * This truss has been designed for a live load of 20.0psf on the bottom chord in all areas where a rectangle 3-06-00 tall by 2-00-00 wide will fit between the bottom chord and any other members.
- 4) Provide mechanical connection (by others) of truss to bearing plate capable of withstanding 14 lb uplift at joint 4 and 82 lb uplift at joint 5.
- 5) This truss is designed in accordance with the 2015 International Building Code section 2306.1 and referenced standard ANSI/TPI 1.

LOAD CASE(S) Standard

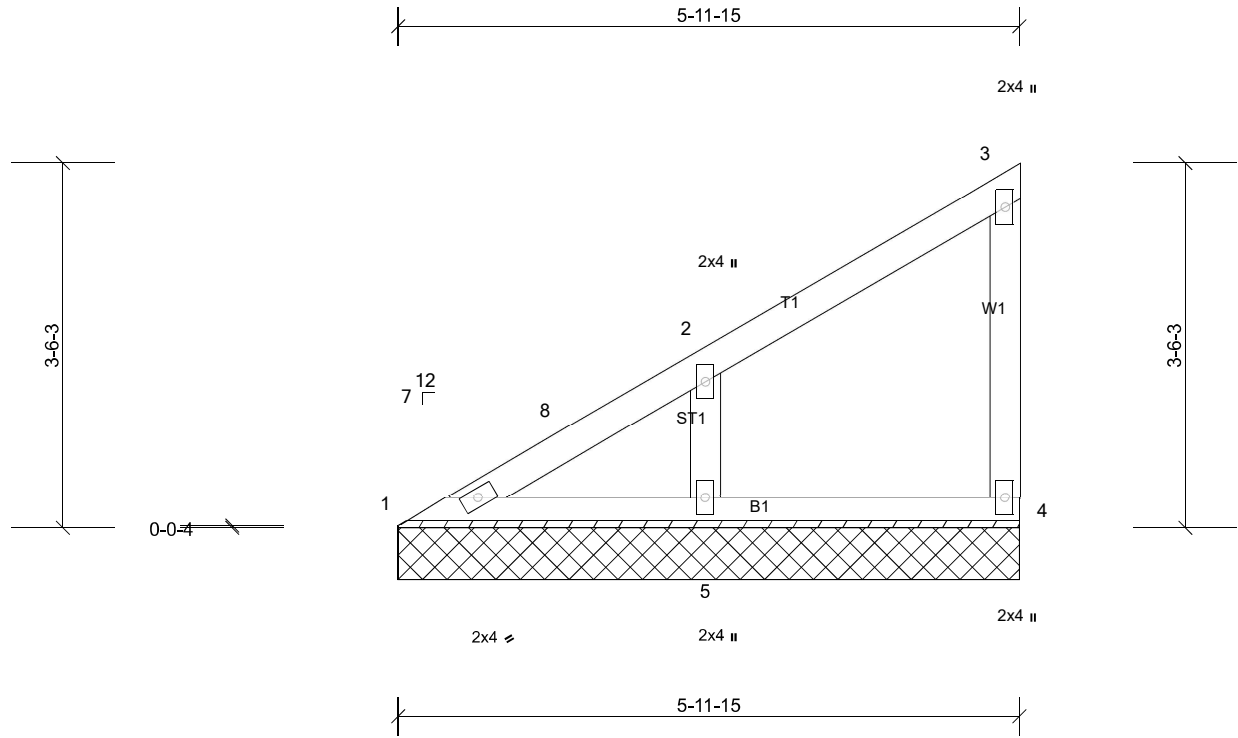
Job Q-2101675-1	Truss V8	Truss Type Valley	Qty 1	Ply 1	Ellington Crawl V5-Roof Job Reference (optional)
--------------------	-------------	----------------------	----------	----------	---

Peak Truss Builders LLC, New Hill, user

Run: 8.43 S Feb 3 2021 Print: 8.430 S Feb 3 2021 MiTek Industries, Inc. Wed Jul 28 09:30:57

Page: 1

ID:GEpRH9Oi0fVkj5YkU8q6QlytbP?-MCCwcgn5Jnzf1DgVq7BjoktO5M3qZMHWlUUh0Jybt71



Scale = 1:22.2

Loading	(psf)	Spacing	2-0-0	CSI		DEFL	in	(loc)	l/defl	L/d	PLATES	GRIP
TCLL (roof)	20.0	Plate Grip DOL	1.15	TC	0.12	Vert(LL)	n/a	-	n/a	999	MT20	244/190
TCDL	10.0	Lumber DOL	1.15	BC	0.05	Vert(TL)	n/a	-	n/a	999		
BCLL	0.0*	Rep Stress Incr	YES	WB	0.04	Horiz(TL)	0.00	4	n/a	n/a		
BCDL	10.0	Code	IBC2015/TPI2014	Matrix-MP							Weight: 24 lb	FT = 20%

LUMBER

TOP CHORD 2x4 SP No.1
 BOT CHORD 2x4 SP No.1
 WEBS 2x4 SP No.3
 OTHERS 2x4 SP No.3

BRACING

TOP CHORD Structural wood sheathing directly applied or 5-11-15 oc purlins, except end verticals.
 BOT CHORD Rigid ceiling directly applied or 10-0-0 oc bracing.

REACTIONS (lb/size) 1=90/5-11-15, (min. 0-1-8), 4=87/5-11-15, (min. 0-1-8), 5=291/5-11-15, (min. 0-1-8)
 Max Horiz 1=92 (LC 8)
 Max Uplift 4=-10 (LC 8), 5=-56 (LC 11)
 Max Grav 1=95 (LC 17), 4=89 (LC 16), 5=291 (LC 1)

MiTek recommends that Stabilizers and required cross bracing be installed during truss erection, in accordance with Stabilizer Installation guide.

FORCES (lb) - Max. Comp./Max. Ten. - All forces 250 (lb) or less except when shown.

NOTES

- 1) Wind: ASCE 7-10; Vult=115mph (3-second gust) Vasd=91mph; TC DL=6.0psf; BC DL=6.0psf; h=30ft; B=20ft; L=20ft; eave=4ft; Cat. II; Exp B; Enclosed; MWFRS (directional) and C-C Exterior (2) 0-0-7 to 2-11-15, Interior (1) 2-11-15 to 5-10-10 zone; cantilever left and right exposed; end vertical left and right exposed; C-C for members and forces & MWFRS for reactions shown; Lumber DOL=1.60 plate grip DOL=1.60
- 2) Gable requires continuous bottom chord bearing.
- 3) * This truss has been designed for a live load of 20.0psf on the bottom chord in all areas where a rectangle 3-06-00 tall by 2-00-00 wide will fit between the bottom chord and any other members.
- 4) Provide mechanical connection (by others) of truss to bearing plate capable of withstanding 10 lb uplift at joint 4 and 56 lb uplift at joint 5.
- 5) This truss is designed in accordance with the 2015 International Building Code section 2306.1 and referenced standard ANSI/TPI 1.

LOAD CASE(S) Standard

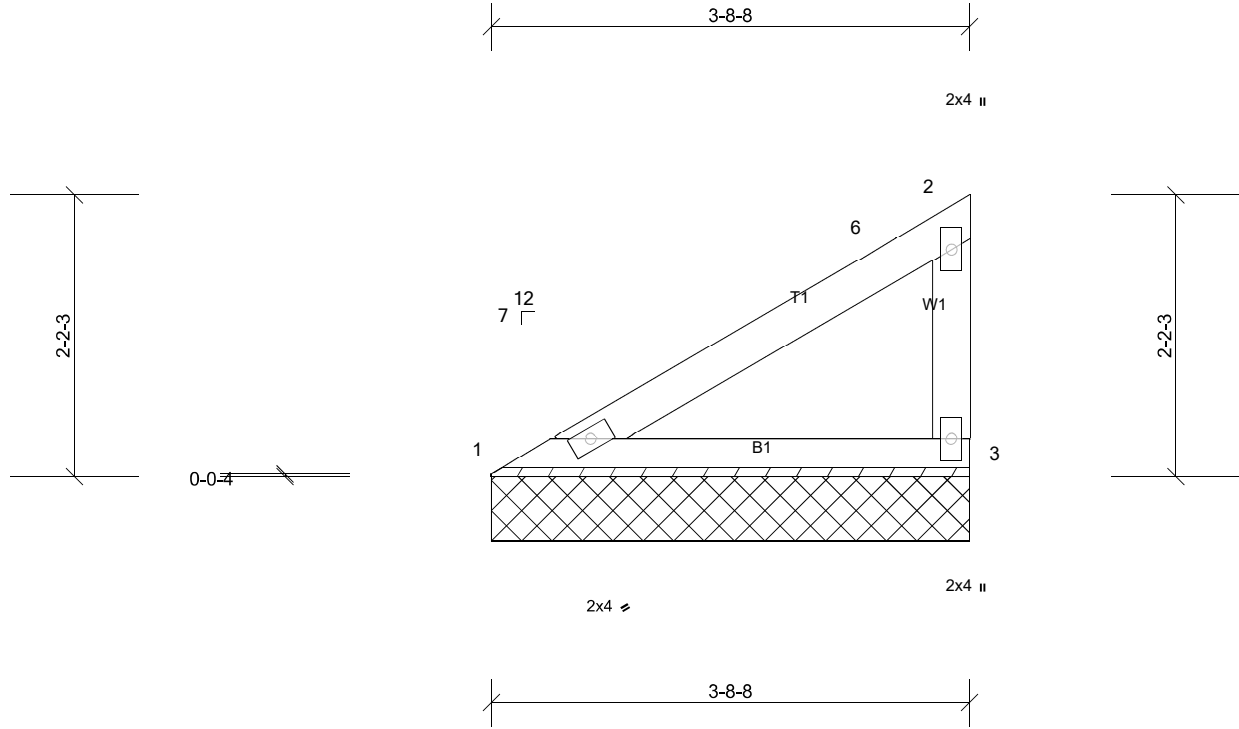
Job Q-2101675-1	Truss V9	Truss Type Valley	Qty 1	Ply 1	Ellington Crawl V5-Roof Job Reference (optional)
--------------------	-------------	----------------------	----------	----------	---

Peak Truss Builders LLC, New Hill, user

Run: 8.43 S Feb 3 2021 Print: 8.430 S Feb 3 2021 MiTek Industries, Inc. Wed Jul 28 09:30:57

Page: 1

ID:GEpRH9OiofVkj5YkU8q6QJytbP?-MCCwcgn5Jnzf1DgVq7BjoktOFM1bZMvWUUh0Jy7b7i



Scale = 1:17.9

Loading	(psf)	Spacing	2-0-0	CSI		DEFL	in	(loc)	l/defl	L/d	PLATES	GRIP
TCLL (roof)	20.0	Plate Grip DOL	1.15	TC	0.11	Vert(LL)	n/a	-	n/a	999	MT20	244/190
TCDL	10.0	Lumber DOL	1.15	BC	0.13	Vert(TL)	n/a	-	n/a	999		
BCLL	0.0*	Rep Stress Incr	YES	WB	0.00	Horiz(TL)	0.00	3	n/a	n/a		
BCDL	10.0	Code	IBC2015/TPI2014	Matrix-MP							Weight: 13 lb	FT = 20%

LUMBER

TOP CHORD 2x4 SP No.1
 BOT CHORD 2x4 SP No.1
 WEBS 2x4 SP No.3

BRACING

TOP CHORD Structural wood sheathing directly applied or 3-8-8 oc purlins, except end verticals.
 BOT CHORD Rigid ceiling directly applied or 10-0-0 oc bracing.

REACTIONS (lb/size) 1=142/3-8-8, (min. 0-1-8), 3=142/3-8-8, (min. 0-1-8)
 Max Horiz 1=54 (LC 8)
 Max Uplift 1=-6 (LC 11), 3=-19 (LC 11)

FORCES (lb) - Max. Comp./Max. Ten. - All forces 250 (lb) or less except when shown.

NOTES

- 1) Wind: ASCE 7-10; Vult=115mph (3-second gust) Vasd=91mph; TC DL=6.0psf; BCDL=6.0psf; h=30ft; B=20ft; L=20ft; eave=4ft; Cat. II; Exp B; Enclosed; MWFRS (directional) and C-C Exterior (2) 0-0-7 to 3-0-7, Interior (1) 3-0-7 to 3-7-3 zone; cantilever left and right exposed; end vertical left and right exposed; C-C for members and forces & MWFRS for reactions shown; Lumber DOL=1.60 plate grip DOL=1.60
- 2) Gable requires continuous bottom chord bearing.
- 3) * This truss has been designed for a live load of 20.0psf on the bottom chord in all areas where a rectangle 3-06-00 tall by 2-00-00 wide will fit between the bottom chord and any other members.
- 4) Provide mechanical connection (by others) of truss to bearing plate capable of withstanding 19 lb uplift at joint 3 and 6 lb uplift at joint 1.
- 5) This truss is designed in accordance with the 2015 International Building Code section 2306.1 and referenced standard ANSI/TPI 1.

LOAD CASE(S) Standard

MiTek recommends that Stabilizers and required cross bracing be installed during truss erection, in accordance with Stabilizer Installation guide.

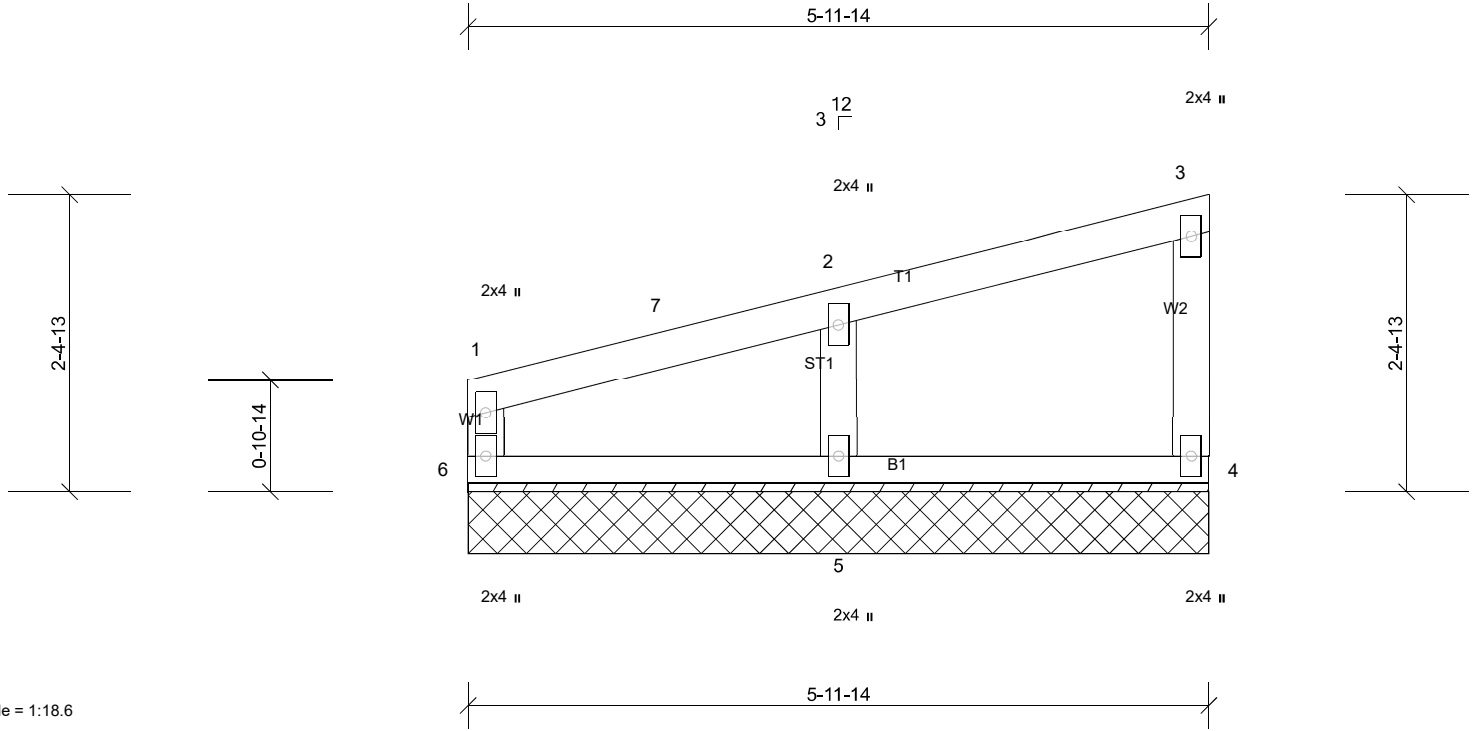
Job Q-2101675-1	Truss V10	Truss Type Valley	Qty 1	Ply 1	Ellington Crawl V5-Roof Job Reference (optional)
--------------------	--------------	----------------------	----------	----------	---

Peak Truss Builders LLC, New Hill, user

Run: 8.43 S Feb 3 2021 Print: 8.430 S Feb 3 2021 MiTek Industries, Inc. Wed Jul 28 09:30:58

Page: 1

ID:s93s6CY_82dWHJzZoXTUZdytbH2-qPlJq0qj455WeMFhOqiyKxQZQmPElpXfw8EqZmytb7h



Scale = 1:18.6

Loading	(psf)	Spacing	2-0-0	CSI	DEFL	in	(loc)	I/defl	L/d	PLATES	GRIP	
TCLL (roof)	20.0	Plate Grip DOL	1.15	TC	0.09	Vert(LL)	n/a	-	n/a	999	MT20	244/190
TCDL	10.0	Lumber DOL	1.15	BC	0.04	Vert(TL)	n/a	-	n/a	999		
BCLL	0.0*	Rep Stress Incr	YES	WB	0.04	Horiz(TL)	0.00	4	n/a	n/a		
BCDL	10.0	Code	IBC2015/TPI2014	Matrix-MR							Weight: 23 lb	FT = 20%

LUMBER

TOP CHORD 2x4 SP No.1
 BOT CHORD 2x4 SP No.1
 WEBS 2x4 SP No.3
 OTHERS 2x4 SP No.3

BRACING

TOP CHORD Structural wood sheathing directly applied or 5-11-14 oc purlins, except end verticals.
 BOT CHORD Rigid ceiling directly applied or 10-0-0 oc bracing.

REACTIONS (lb/size) 4=92/5-11-14, (min. 0-1-8), 5=271/5-11-14, (min. 0-1-8),
 6=92/5-11-14, (min. 0-1-8)
 Max Horiz 6=59 (LC 8)
 Max Uplift 4=-5 (LC 11), 5=-38 (LC 11)

MiTek recommends that Stabilizers and required cross bracing be installed during truss erection, in accordance with Stabilizer Installation guide.

FORCES (lb) - Max. Comp./Max. Ten. - All forces 250 (lb) or less except when shown.

NOTES

- 1) Wind: ASCE 7-10; Vult=115mph (3-second gust) Vasd=91mph; TCDL=6.0psf; BCDL=6.0psf; h=30ft; B=20ft; L=20ft; eave=4ft; Cat. II; Exp B; Enclosed; MWFRS (directional) and C-C Exterior (2) 0-1-12 to 2-11-15, Interior (1) 2-11-15 to 5-10-2 zone; cantilever left and right exposed; end vertical left and right exposed; C-C for members and forces & MWFRS for reactions shown; Lumber DOL=1.60 plate grip DOL=1.60
- 2) Gable requires continuous bottom chord bearing.
- 3) * This truss has been designed for a live load of 20.0psf on the bottom chord in all areas where a rectangle 3-06-00 tall by 2-00-00 wide will fit between the bottom chord and any other members.
- 4) Provide mechanical connection (by others) of truss to bearing plate capable of withstanding 5 lb uplift at joint 4 and 38 lb uplift at joint 5.
- 5) This truss is designed in accordance with the 2015 International Building Code section 2306.1 and referenced standard ANSI/TPI 1.

LOAD CASE(S) Standard

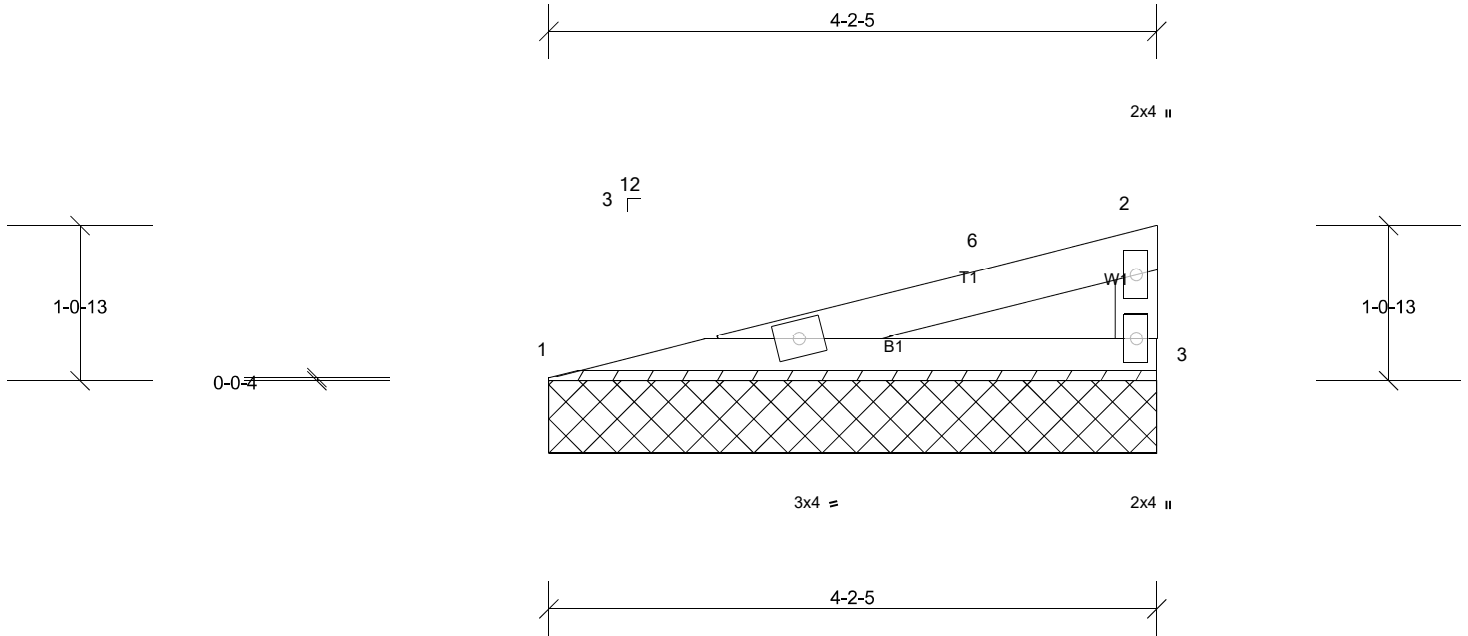
Job Q-2101675-1	Truss V11	Truss Type Valley	Qty 1	Ply 1	Ellington Crawl V5-Roof Job Reference (optional)
--------------------	--------------	----------------------	----------	----------	---

Peak Truss Builders LLC, New Hill, user

Run: 8.43 S Feb 3 2021 Print: 8.430 S Feb 3 2021 MiTek Industries, Inc. Wed Jul 28 09:30:58

Page: 1

ID:s93s6CY_82dWHJzZoXTUZdytbH2-qPlJq0oj455WeMFhOqiyKxQZ_mNUlp9fw8EqZmytb7h



Scale = 1:15.9

Loading	(psf)	Spacing	2-0-0	CSI		DEFL	in	(loc)	l/defl	L/d	PLATES	GRIP
TCLL (roof)	20.0	Plate Grip DOL	1.15	TC	0.11	Vert(LL)	n/a	-	n/a	999	MT20	244/190
TCDL	10.0	Lumber DOL	1.15	BC	0.15	Vert(TL)	n/a	-	n/a	999		
BCLL	0.0*	Rep Stress Incr	YES	WB	0.00	Horiz(TL)	0.00	3	n/a	n/a		
BCDL	10.0	Code	IBC2015/TPI2014	Matrix-MP							Weight: 12 lb	FT = 20%

LUMBER

TOP CHORD 2x4 SP No.1
 BOT CHORD 2x4 SP No.1
 WEBS 2x4 SP No.3

BRACING

TOP CHORD Structural wood sheathing directly applied or 4-2-5 oc purlins, except end verticals.
 BOT CHORD Rigid ceiling directly applied or 10-0-0 oc bracing.

REACTIONS (lb/size) 1=162/4-2-5, (min. 0-1-8), 3=162/4-2-5, (min. 0-1-8)
 Max Horiz 1=24 (LC 8)
 Max Uplift 1=-13 (LC 11), 3=-16 (LC 11)

FORCES (lb) - Max. Comp./Max. Ten. - All forces 250 (lb) or less except when shown.
 TOP CHORD 1-6=-368/87
 BOT CHORD 1-3=-117/350

NOTES

- 1) Wind: ASCE 7-10; Vult=115mph (3-second gust) Vasd=91mph; TCCL=6.0psf; BCDL=6.0psf; h=30ft; B=20ft; L=20ft; eave=4ft; Cat. II; Exp B; Enclosed; MWFRS (directional) and C-C Exterior (2) 0-1-0 to 3-1-0, Interior (1) 3-1-0 to 4-1-9 zone; cantilever left and right exposed; end vertical left and right exposed; C-C for members and forces & MWFRS for reactions shown; Lumber DOL=1.60 plate grip DOL=1.60
- 2) Gable requires continuous bottom chord bearing.
- 3) * This truss has been designed for a live load of 20.0psf on the bottom chord in all areas where a rectangle 3-06-00 tall by 2-00-00 wide will fit between the bottom chord and any other members.
- 4) Provide mechanical connection (by others) of truss to bearing plate capable of withstanding 16 lb uplift at joint 3 and 13 lb uplift at joint 1.
- 5) This truss is designed in accordance with the 2015 International Building Code section 2306.1 and referenced standard ANSI/TPI 1.

LOAD CASE(S) Standard

MiTek recommends that Stabilizers and required cross bracing be installed during truss erection, in accordance with Stabilizer Installation guide.