

HTU

Face-Mount Truss Hanger

The HTU face-mount truss hanger has nail patterns designed specifically for shallow heel heights, so that full allowable loads (with minimum nailing) apply to heel heights as low as 3⁷/₈". Minimum and maximum nailing options provide solutions for varying heel heights and end conditions.

Alternate allowable loads are provided for gaps between the end of the truss and the carrying member up to 1/2" max. to allow for greater construction tolerances (maximum gap for standard allowable loads is 1/8" per ASTM D7147). See technical bulletin T-C-HANGERGAP at strongtie.com for more information.

Material: 16 gauge

Finish: Galvanized

Installation:

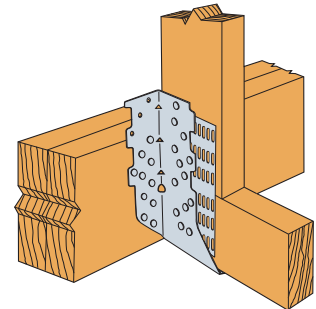
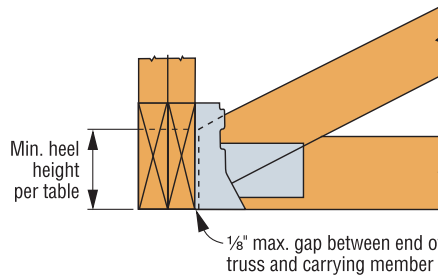
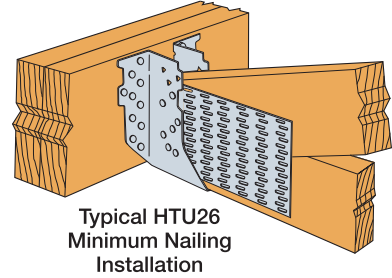
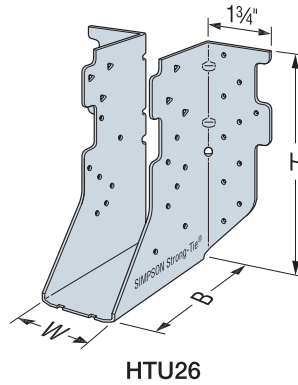
- Use all specified fasteners; see General Notes
- Can be installed filling round holes only, or filling round and triangle holes for maximum values
- See alternate installation for applications using the HTU26 on a 2x4 carrying member or HTU28 or HTU210 on a 2x6 carrying member for additional uplift capacity

Options:

- HTU may be skewed up to 67 1/2°. See Hanger Options on p. 212 for allowable loads.
- See engineering letter L-C-HTUSD at strongtie.com for installation with Strong-Drive® SD Connector screws.

Codes: See p. 13 for Code Reference Key Chart

Web Applications:
Visit app.strongtie.com/hs to access our Hanger Selector web application.



HTU Installation for Standard Allowable Loads
(for 1/2" maximum gap, use Alternate Allowable Loads.)

Alternate Installation - HTU28 Installed on 2x6 Carrying Member
(HTU210 similar)

SD Many of these products are approved for installation with Strong-Drive SD Connector screws. See pp. 362-366 for more information.

Standard Allowable Loads (1/8" Maximum Hanger Gap)

Model No.	Min. Heel Height	Dimensions (in.)			Fasteners (in.)		DF/SP Allowable Loads					SPF/HF Allowable Loads					Code Ref.
		W	H	B	Carrying Member	Carried Member	Uplift (160)	Floor (100)	Snow (115)	Roof (125)	Wind (160)	Uplift (160)	Floor (100)	Snow (115)	Roof (125)	Wind (160)	
Single 2x Sizes																	
HTU26	3 1/2"	1 1/8"	5 7/8"	3 1/2"	(20) 0.162 x 3 1/2"	(11) 0.148 x 1 1/2"	640	2,670	2,670	2,670	2,670	550	1,680	1,680	1,680	1,680	IBC®, FL, LA
HTU26 (Min.)	3 7/8"	1 1/8"	5 7/8"	3 1/2"	(20) 0.162 x 3 1/2"	(14) 0.148 x 1 1/2"	1,250	2,940	3,200	3,200	3,200	1,075	1,852	2,015	2,015	2,015	
HTU26 (Max.)	5 1/2"	1 1/8"	5 7/8"	3 1/2"	(20) 0.162 x 3 1/2"	(20) 0.148 x 1 1/2"	1,555	2,940	3,320	3,580	4,010	1,335	2,530	2,855	3,080	3,450	
HTU28 (Min.)	3 7/8"	1 1/8"	7 1/8"	3 1/2"	(26) 0.162 x 3 1/2"	(14) 0.148 x 1 1/2"	1,235	3,820	3,895	3,895	3,895	1,060	2,865	2,920	2,920	2,920	
HTU28 (Max.)	7 1/4"	1 1/8"	7 1/8"	3 1/2"	(26) 0.162 x 3 1/2"	(26) 0.148 x 1 1/2"	2,020	3,820	4,315	4,655	5,435	1,735	3,285	3,710	4,005	4,675	
HTU210 (Min.)	3 7/8"	1 1/8"	9 1/8"	3 1/2"	(32) 0.162 x 3 1/2"	(14) 0.148 x 1 1/2"	1,330	4,300	4,300	4,300	4,300	1,145	3,225	3,225	3,225	3,225	
HTU210 (Max.)	9 1/4"	1 1/8"	9 1/8"	3 1/2"	(32) 0.162 x 3 1/2"	(32) 0.148 x 1 1/2"	3,315	4,705	5,310	5,730	5,995	2,850	4,045	4,565	4,930	5,155	
Double 2x Sizes																	
HTU26-2 (Min.)	3 7/8"	3 3/8"	5 7/8"	3 1/2"	(20) 0.162 x 3 1/2"	(14) 0.148 x 3	1,515	2,940	3,320	3,580	3,910	1,305	1,850	2,090	2,255	2,465	IBC, FL, LA
HTU26-2 (Max.)	5 1/2"	3 3/8"	5 7/8"	3 1/2"	(20) 0.162 x 3 1/2"	(20) 0.148 x 3	2,175	2,940	3,320	3,580	4,480	1,870	2,530	2,855	3,080	3,855	
HTU28-2 (Min.)	3 7/8"	3 3/8"	7 1/8"	3 1/2"	(26) 0.162 x 3 1/2"	(14) 0.148 x 3	1,530	3,820	4,310	4,310	4,310	1,315	2,865	3,235	3,235	3,235	
HTU28-2 (Max.)	7 1/4"	3 3/8"	7 1/8"	3 1/2"	(26) 0.162 x 3 1/2"	(26) 0.148 x 3	3,485	3,820	4,315	4,655	5,825	2,995	3,285	3,710	4,005	5,010	
HTU210-2 (Min.)	3 7/8"	3 3/8"	9 1/8"	3 1/2"	(32) 0.162 x 3 1/2"	(14) 0.148 x 3	1,755	4,705	4,815	4,815	4,815	1,510	3,530	3,610	3,610	3,610	
HTU210-2 (Max.)	9 1/4"	3 3/8"	9 1/8"	3 1/2"	(32) 0.162 x 3 1/2"	(32) 0.148 x 3	4,110	4,705	5,310	5,730	6,515	3,535	4,045	4,565	4,930	5,605	

1. The maximum hanger gap is measured between the joist (or truss) end and the carrying member.
2. Minimum heel heights required for full table loads are based on a minimum 2:12 pitch.
3. Uplift loads have been increased for earthquake or wind loading with no further increase allowed. Reduce where other loads govern.
4. Wind (160) is a download rating.
5. For hanger gaps between 1/8" and 1/2", use the Alternate Allowable Loads.
6. Truss chord cross-grain tension may limit allowable loads in accordance with ANSI/TPI 1-2014. Simpson Strong-Tie [Hanger Selector web application](http://strongtie.com/hs) includes the evaluation of cross-grain tension in its hanger allowable loads. For additional information, contact Simpson Strong-Tie.
7. Loads shown are based on a minimum two-ply 2x carrying member. For single 2x carrying members, use 0.148" x 1 1/2" nails in the header and reduce the allowable download to 0.70 of the table value. The allowable uplift is 100% of the table load.
8. **Fasteners:** Nail dimensions are listed diameter by length. See pp. 23-24 for fastener information.