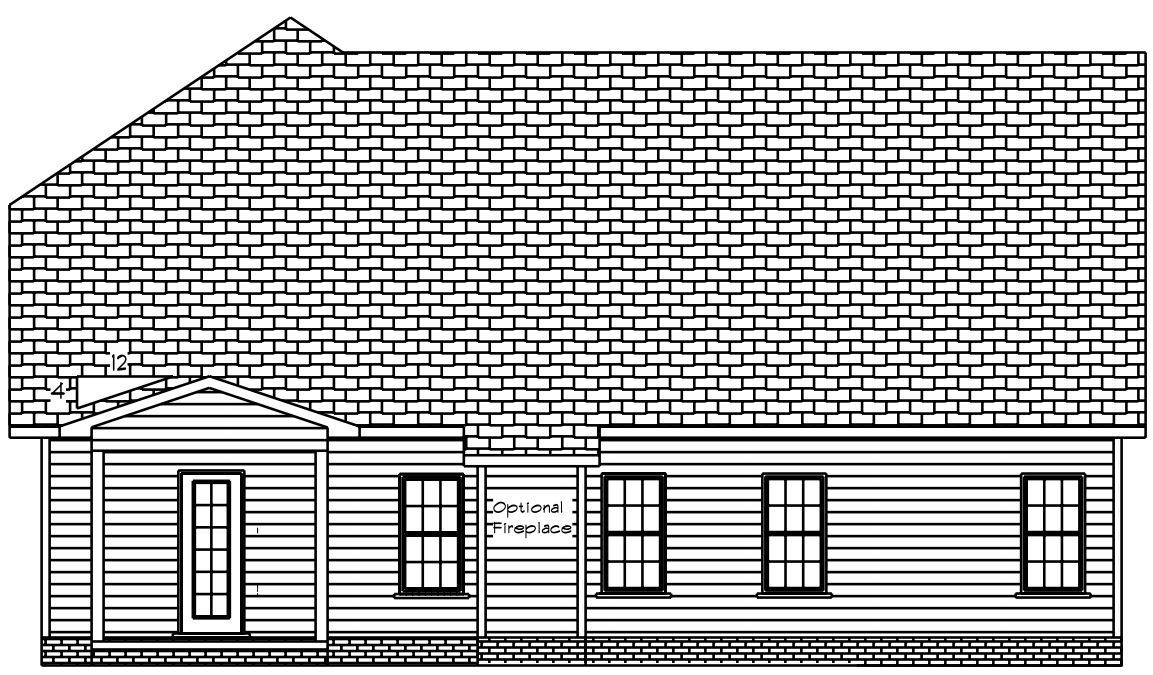
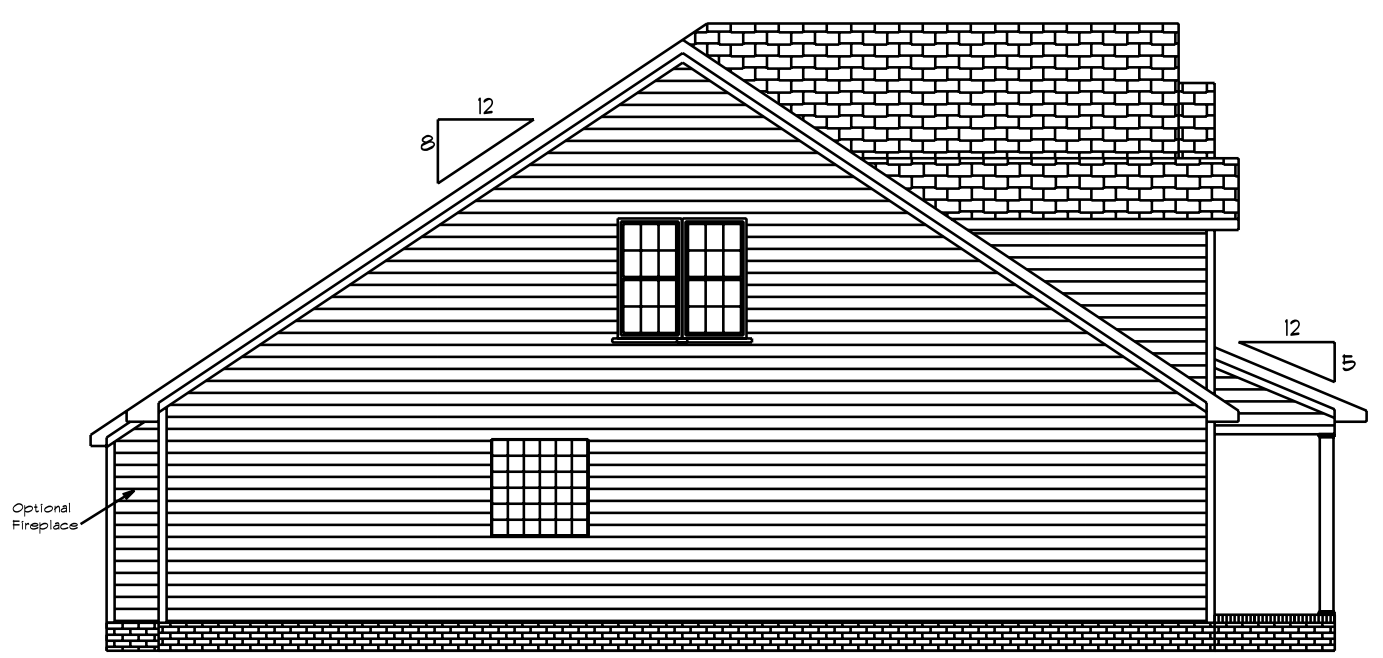




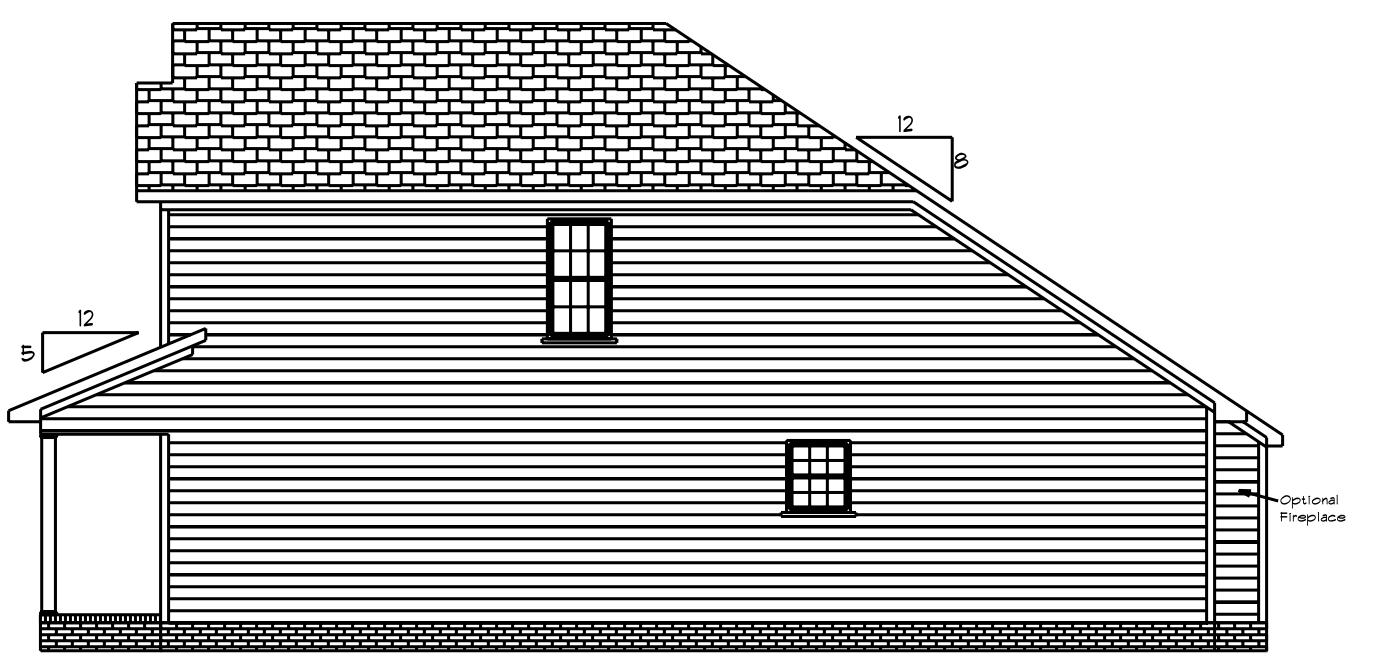
Front Elevation
Scale: 1/4" = 1'0"



Rear Elevation
Scale: 1/8" = 1'0"



Left Elevation
Scale: 1/8" = 1'0"



Right Elevation
Scale: 1/8" = 1'0"

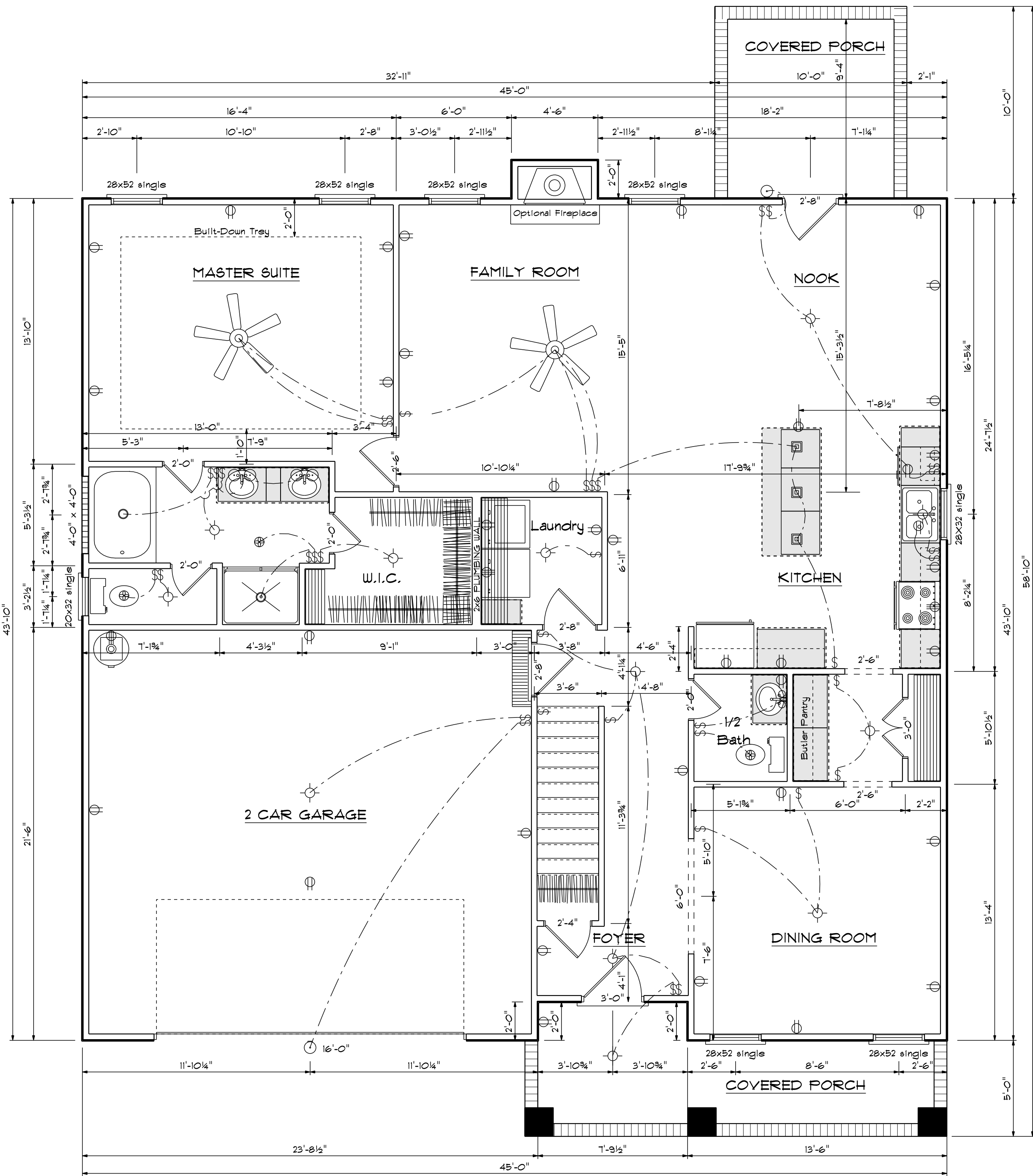
Bass Designs
2121 Chimney Pt.
Linden N.C. 28356
910-864-1253

DATE Friday, July 2, 2021
REVISED
DRAWING*

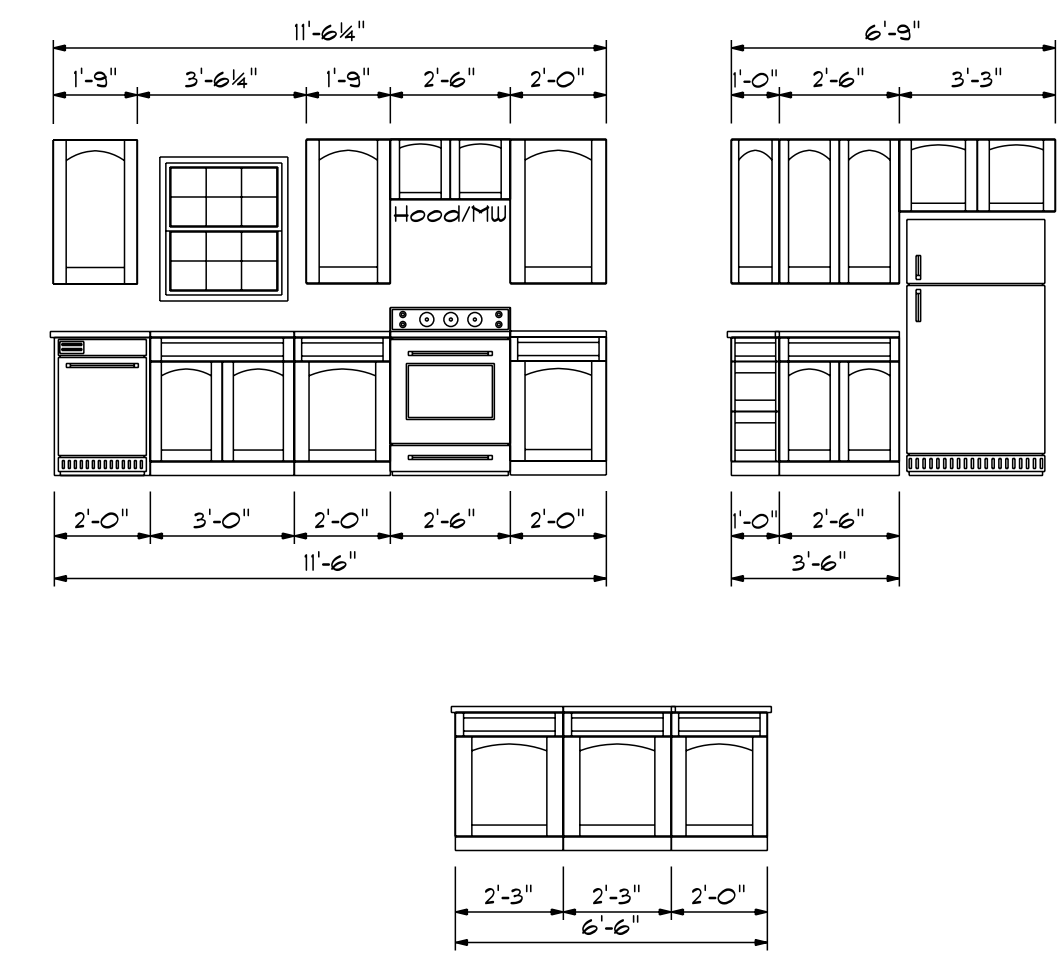
Elev. B

SCALE
DRAWN BY
APPROVED

The Caroline



Kitchen Cabinets

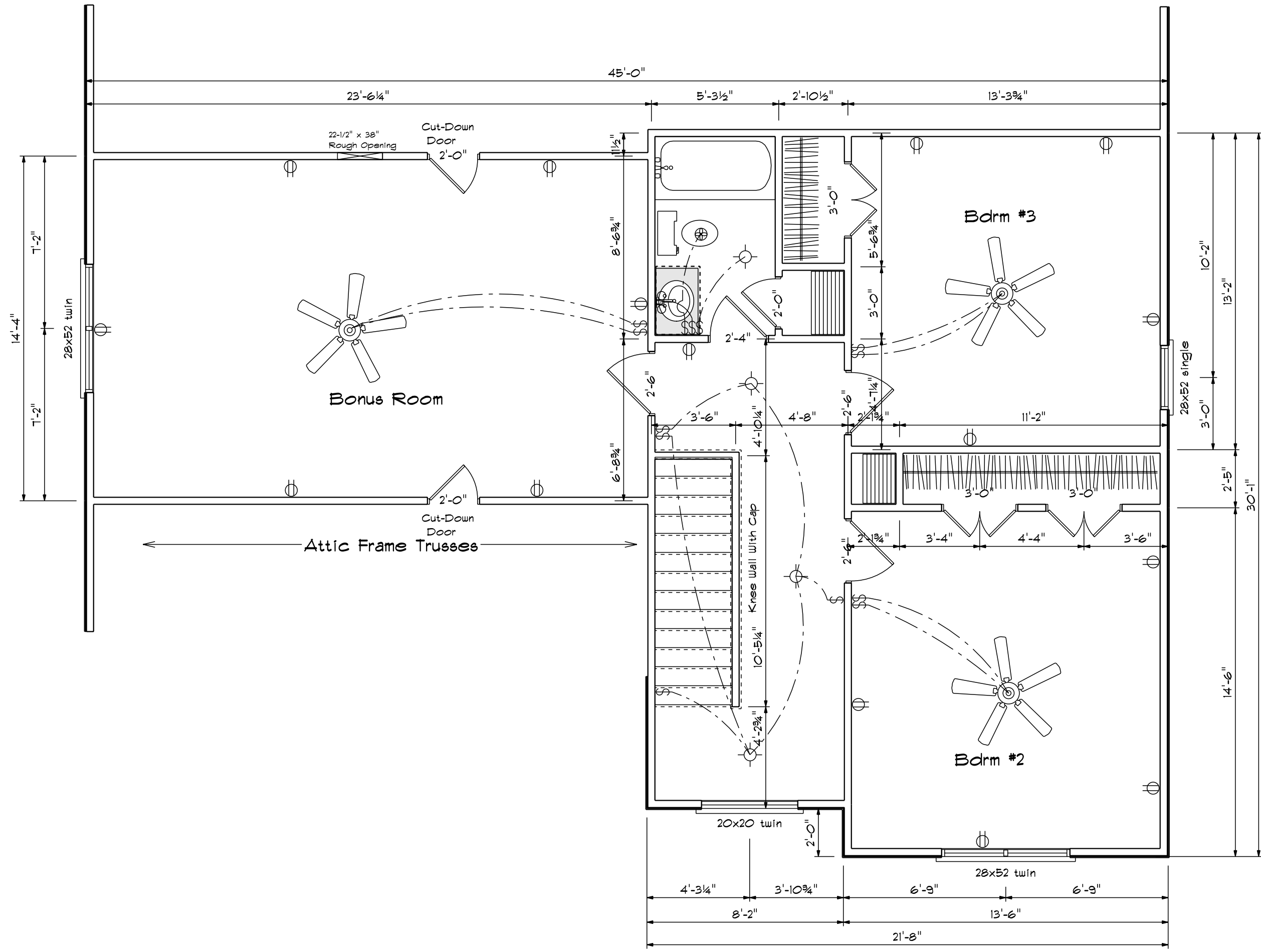


FIRST FLOOR OPENING SCHEDULE			
PRODUCT CODE	SIZE	HINGE	COUNT
36X80 COLONIAL A 1	3'-0"	L	1
192X84 - 8 PANEL - 4 GRILLED WINDOW	18'-0"	L	1
60X80 SLIDING FRENCH 2	5'-0"	NZ	1
48X80 BIFOLD COLONIAL 2	4'-0"	LR	1
2-0 Door Unit	2'-0"	R	1
2-0 Door Unit	2'-0"	L	2
2-8 Door Unit	2'-8"	R	1
2-0 DOOR UNIT	2'-0"	L	1
2-4 DOOR UNIT	2'-4"	L	1
2-6 DOOR UNIT	2'-6"	L	1
2-8 DOOR UNIT	2'-8"	R	1
28X32 Single	2'-8" x 3'-0"	N	1
28X52 Single	2'-8" x 5'-0"	N	2
20x32 single	2'-0" x 3'-2"	N	1
28x52 single	2'-8" x 5'-2"	N	5
8X8 GLASS BLOCK	4'-0" x 4'-0"	N	1

Areas

First Floor	1460
Second Floor	853
=====	
Total Heated	2313
Garage	501
Porch	125

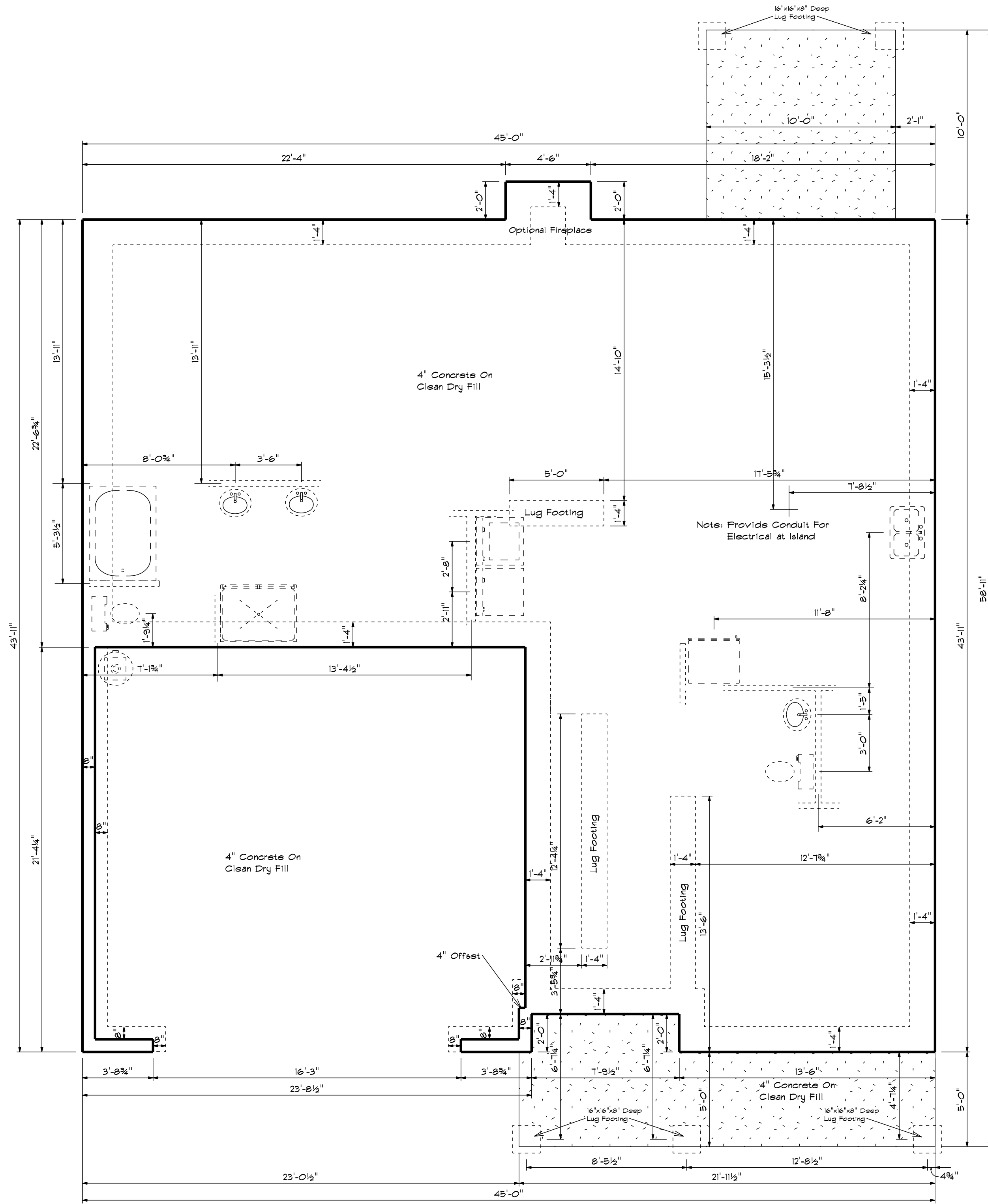
First Floor Plan
Scale: 1/4" = 1'-0"



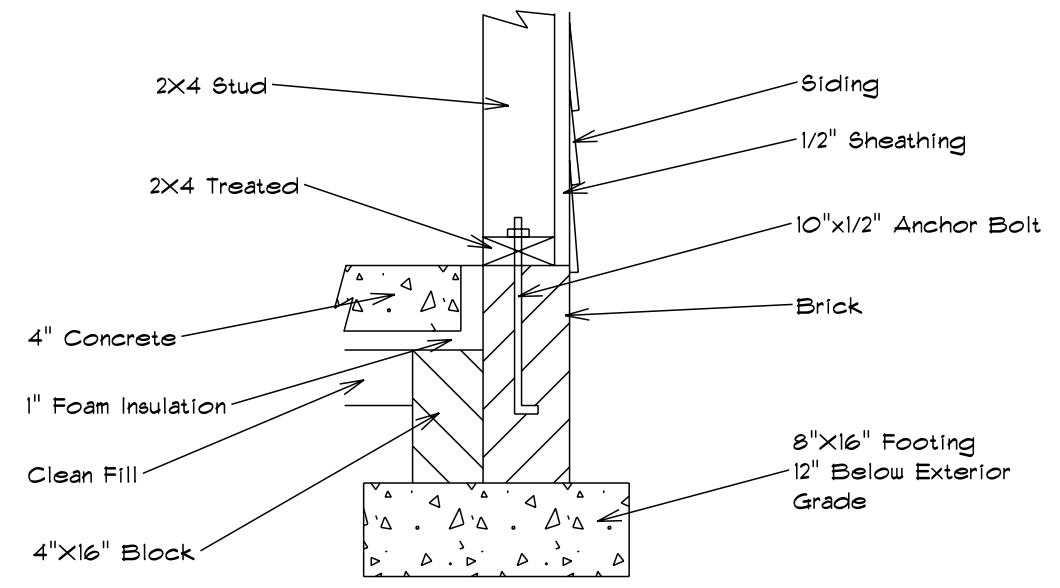
Second Floor Plan

Second Floor Openings

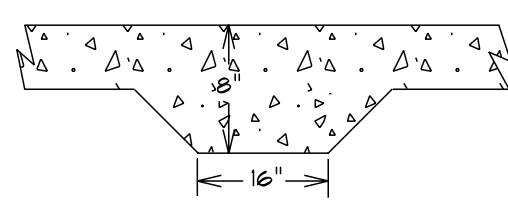
OPENING SCHEDULE			
PRODUCT CODE	SIZE	HINGE	COUNT
1-6 Door Unit	1'-6"	L	1
2-0 Door Unit	2'-0"	L	1
2-6 Door Unit	2'-6"	R	2
2-6 Door Unit	2'-6"	L	1
3-0 Doublehung Door Unit	3'-0"	LR	2
4-0 Doublehung Door Unit	4'-0"	LR	1
2-4 Door Unit	2'-4"	R	1
2-0X2-0 Twin	4'-0" x 2'-0"	NA	1
2-8X5-2 Single	2'-8" x 5'-2"	N	1
2-8X5-2 Twin	5'-4" x 5'-2"	NA	2



**Foundation Detail
Siding**

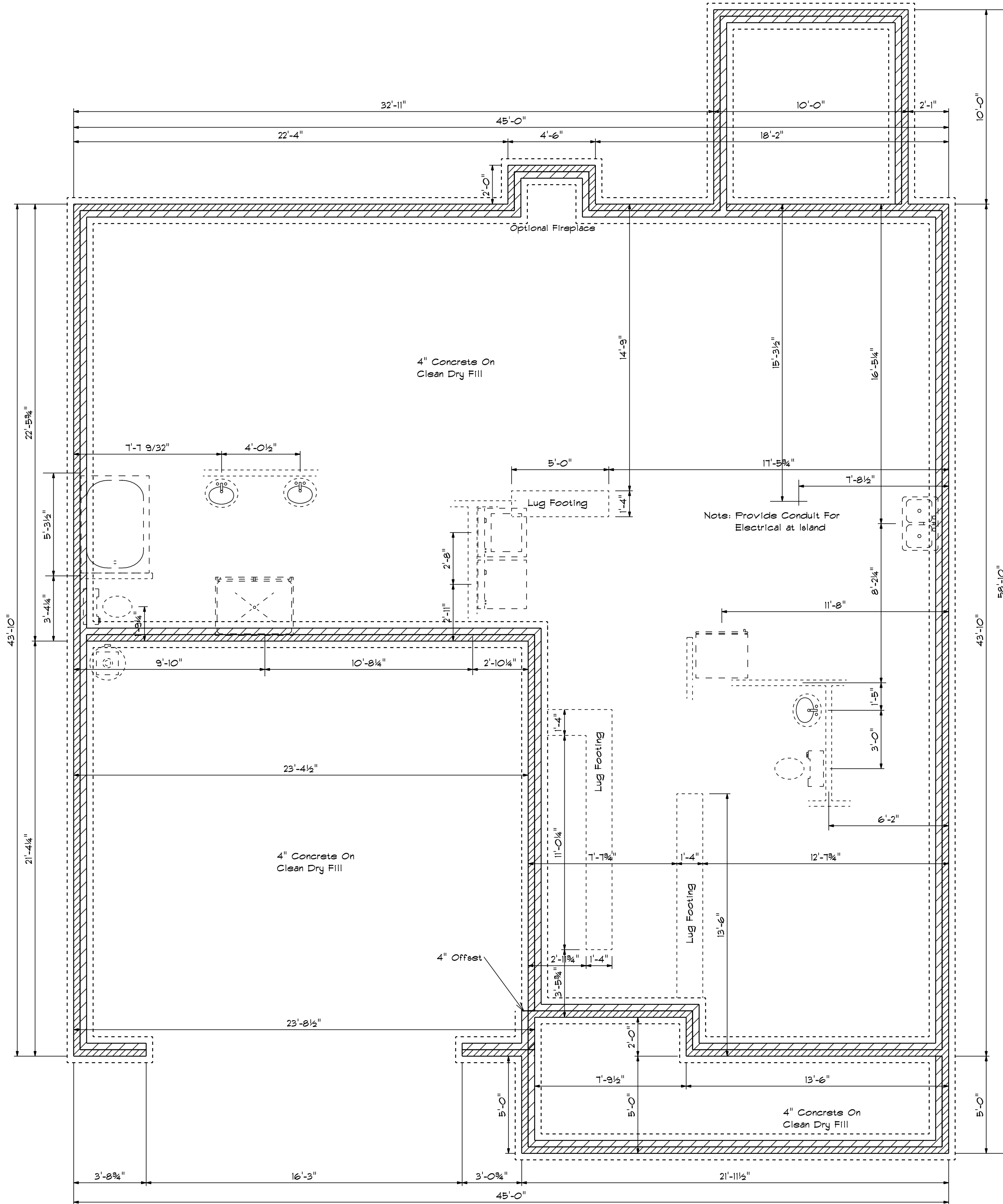


Lug Footing Detail

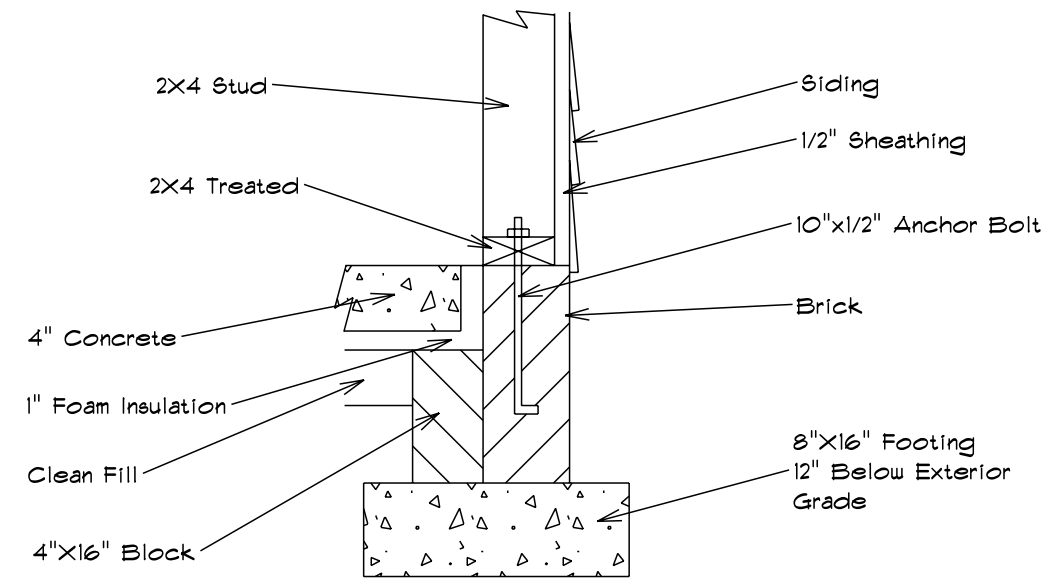


DATE
REVISED
DRAWING*

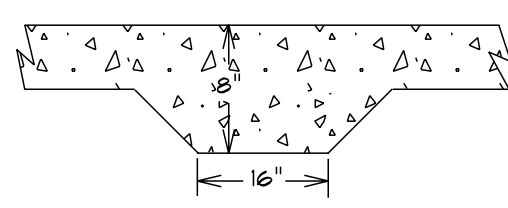
SCALE 1/4"
DRAWN BY
APPROVED



**Foundation Detail
Siding**



Lug Footing Detail



Foundation Plan

Scale: 1/4" = 1'-0"