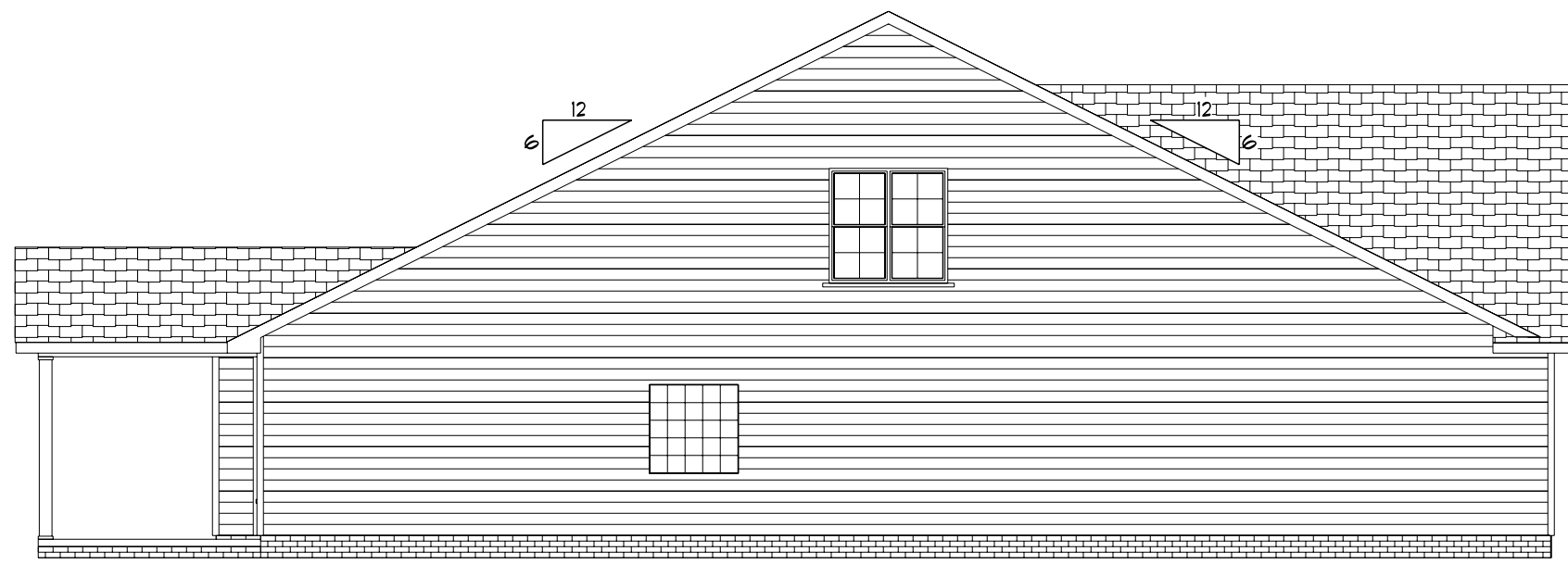




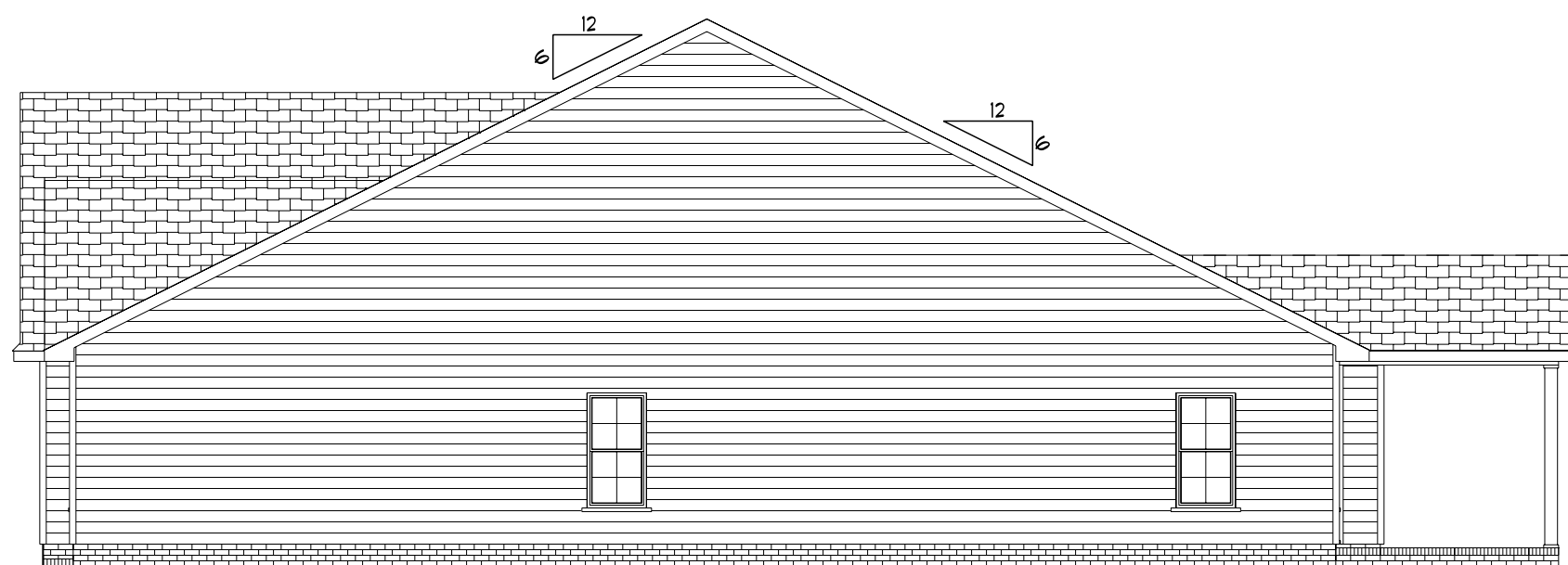
Front Elevation

Scale: 1/4" = 1'0"



Left Elevation

Scale: 1/8" = 1'0"



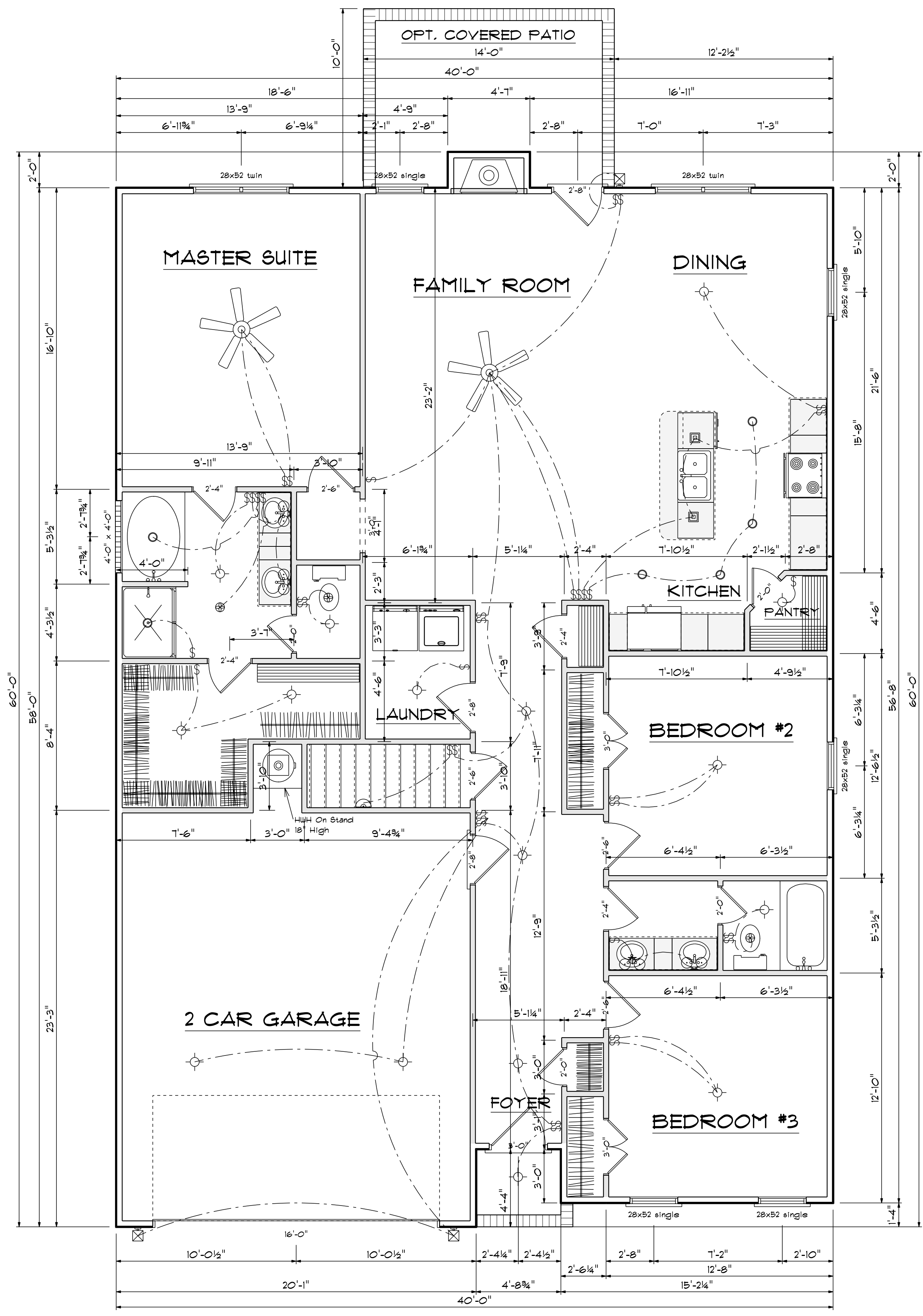
Right Elevation

Scale: 1/8" = 1'0"



Rear Elevation

Scale: 1/8" = 1'0"



# First Floor Plan

Scale: 1/4" = 1'-0"

## Areas

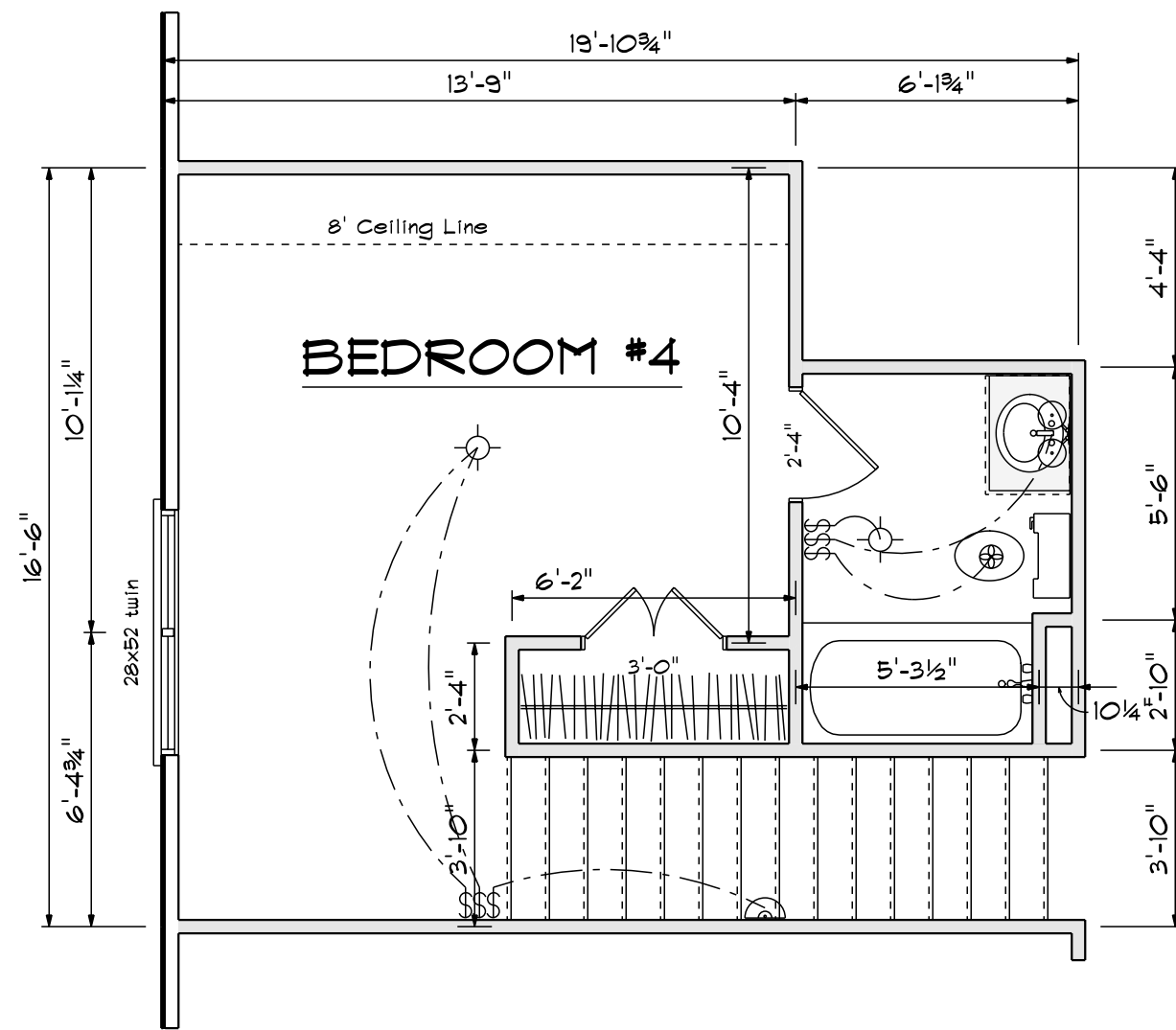
First Floor	1818
Second Floor	245
=====	
Total Heated	2063
Garage	486
Front Porch	26
Rear Opt. Porch	145



Plan# 2

SCALE: 1/4"
DRAWN BY
APPROVED

DATE: 2/16/2022
REVISED
DRAWING#

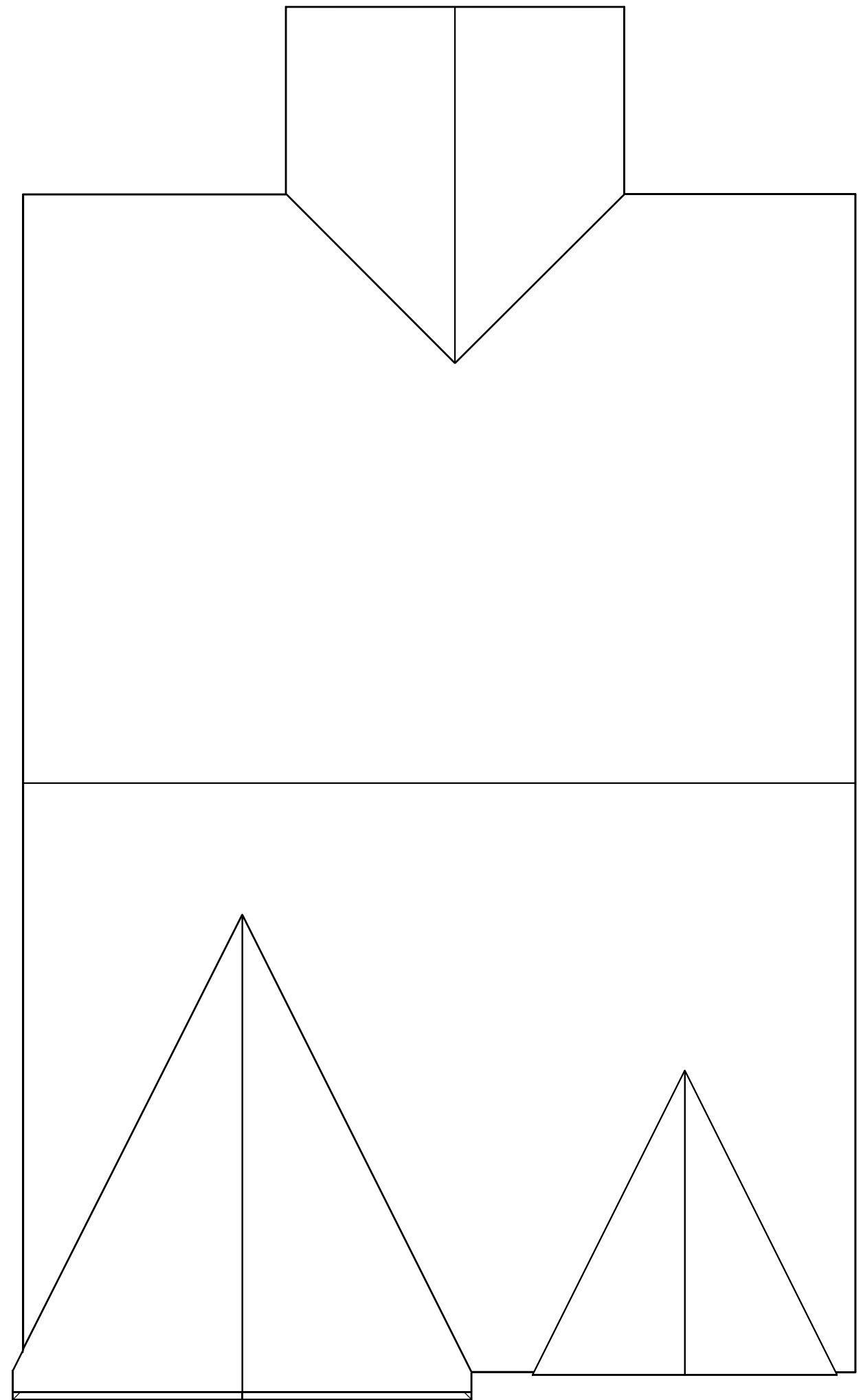


## Second Floor Plan

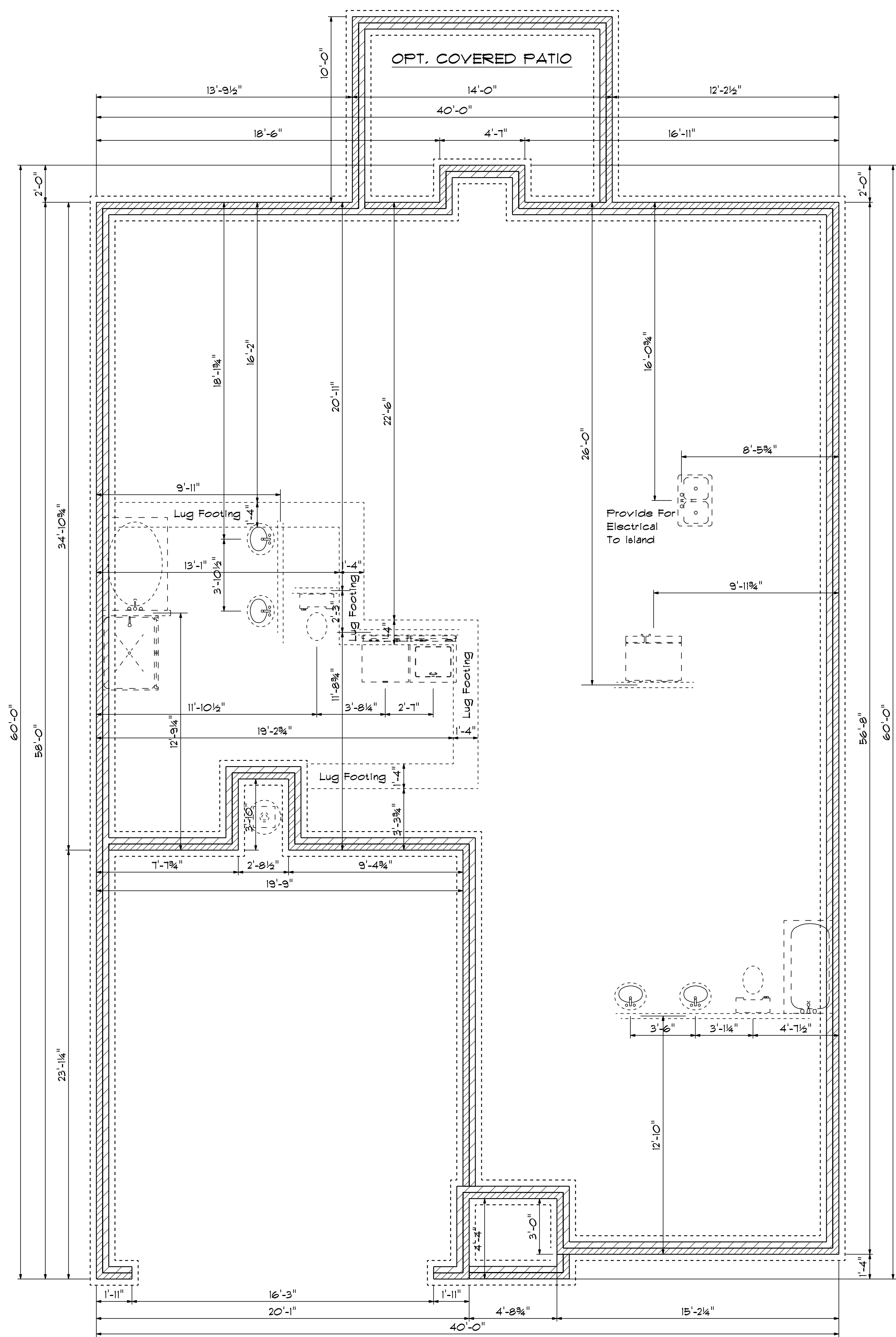
Scale: 1/4" = 1'-0"

FIRST FLOOR OPENING SCHEDULE				
PRODUCT CODE	SIZE	HINGE	REVERSED	COUNT
36X80 COLONIAL A 1	3'-0"	L	NO	1
32X80 FRENCH A 1	2'-8"	R	NO	1
192X84 - 8 PANEL - GARAGE DOOR	16'-0"	U	NO	1
2-0 Door Unit	2'-0"	R	NO	1
2-0 Door Unit	2'-0"	L	NO	3
2-4 Door Unit	2'-4"	R	NO	1
2-4 Door Unit	2'-4"	L	NO	3
2-6 Door Unit	2'-6"	R	NO	3
2-6 Door Unit	2'-6"	L	NO	1
2-8 Door Unit	2'-8"	L	NO	1
2-8 Door Unit	2'-8"	R	NO	1
3-0 Doublehung Door Unit	3'-0"	LR	NO	1
3-0 Doublehung Door Unit	3'-0"	LR	NO	1
28x52 single	2'-8" x 5'-2"	N	NA	5
28x52 twin	5'-4" x 5'-2"	NN	NA	2
4X8 GLASS BLOCK	4'-0" x 4'-0"	N	NA	1

SECOND FLOOR OPENING SCHEDULE				
PRODUCT CODE	SIZE	HINGE	REVERSED	COUNT
2-4 Door Unit	2'-4"	L	NO	1
3-0 Doublehung Door Unit	3'-0"	LR	NO	1
28x52 twin	5'-4" x 5'-2"	NN	NA	1

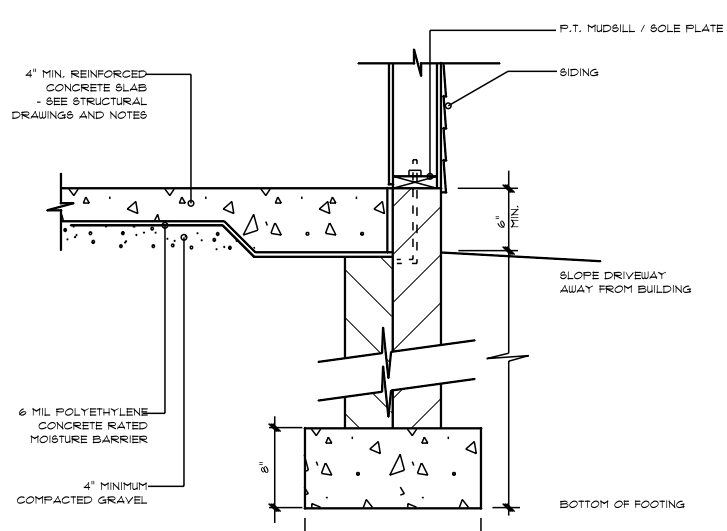


## Roof Plan

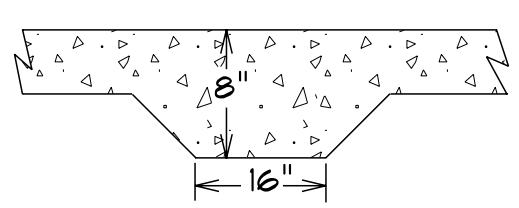


# Foundation Plan

Scale: 1/4" = 1'-0"



STEM WALL FOOTING DETAIL



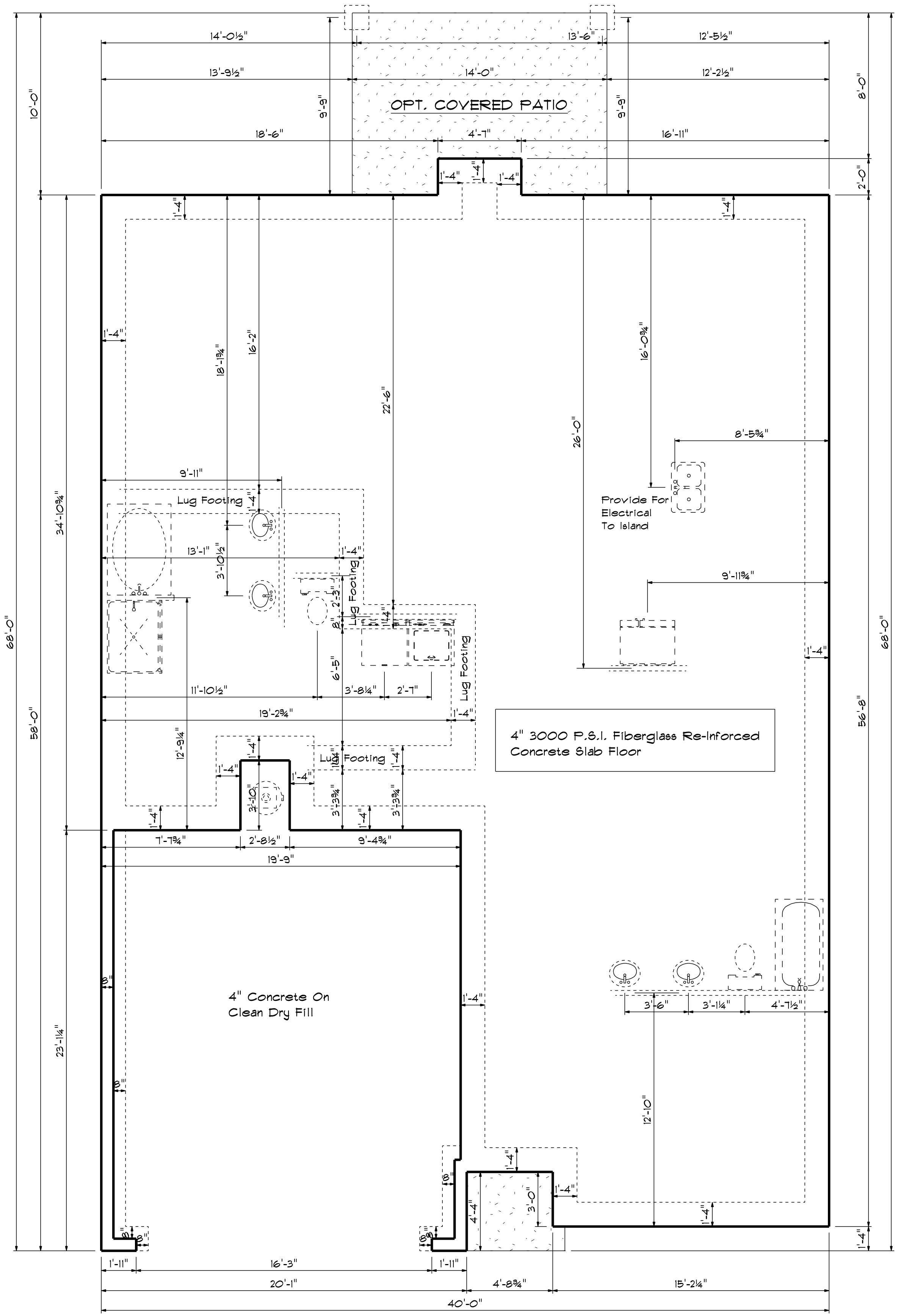
LUG FOOTING DETAIL



Plan# 2

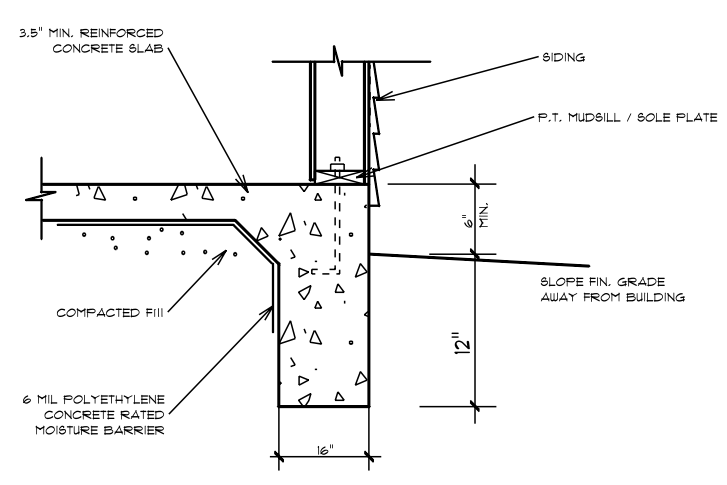
SCALE: 1/4"
DRAWN BY
APPROVED

DATE: 2/16/2022
REVISED
DRAWING#

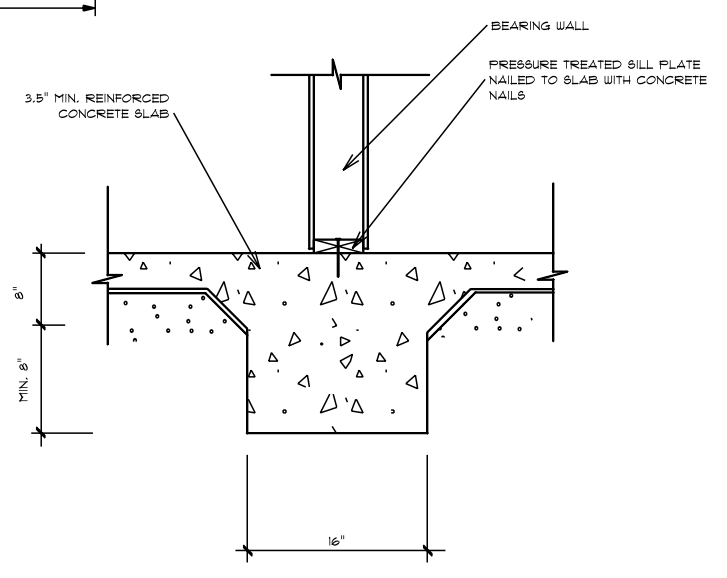


# Foundation Plan

Scale: 1/4" = 1'-0"



TURN-DOWN FOOTING DETAIL



INTEGRAL SLAB FOOTING DETAIL AT BEARING WALL



Plan# 2

SCALE: 1/4"
DRAWN BY
APPROVED

DATE: 2/16/2022
REVISED
DRAWING#