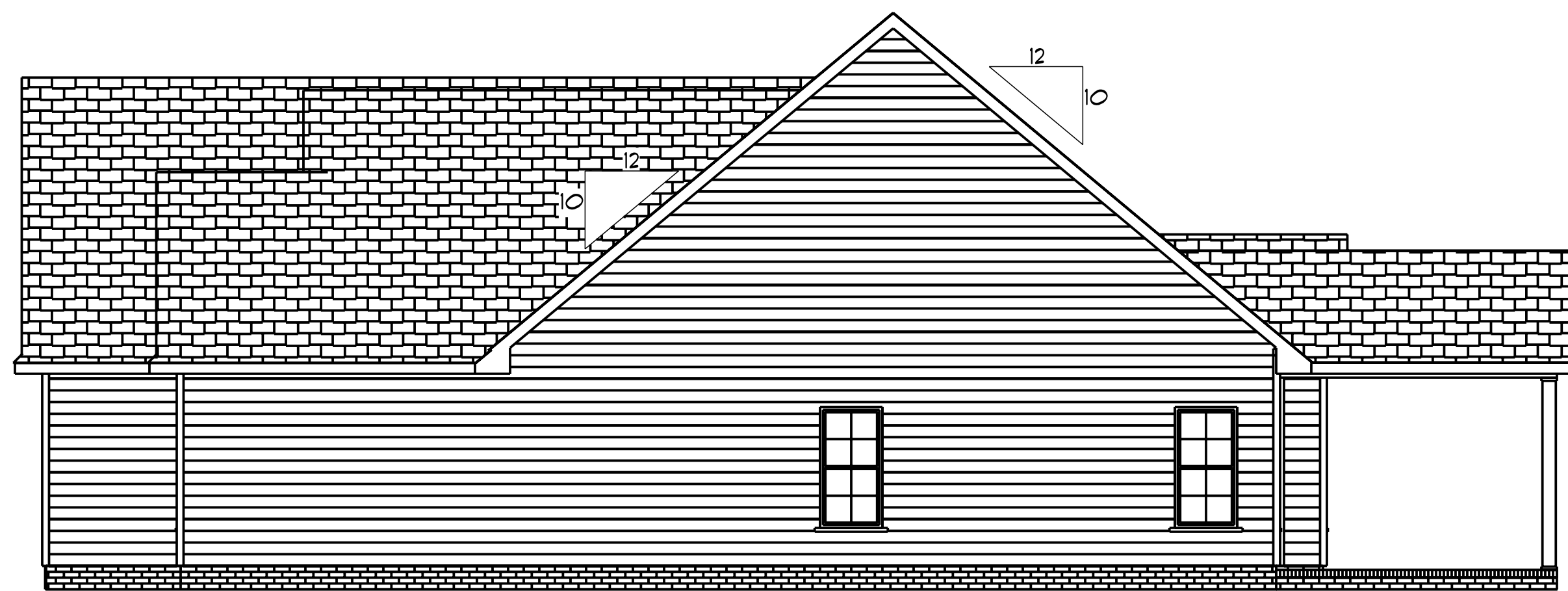




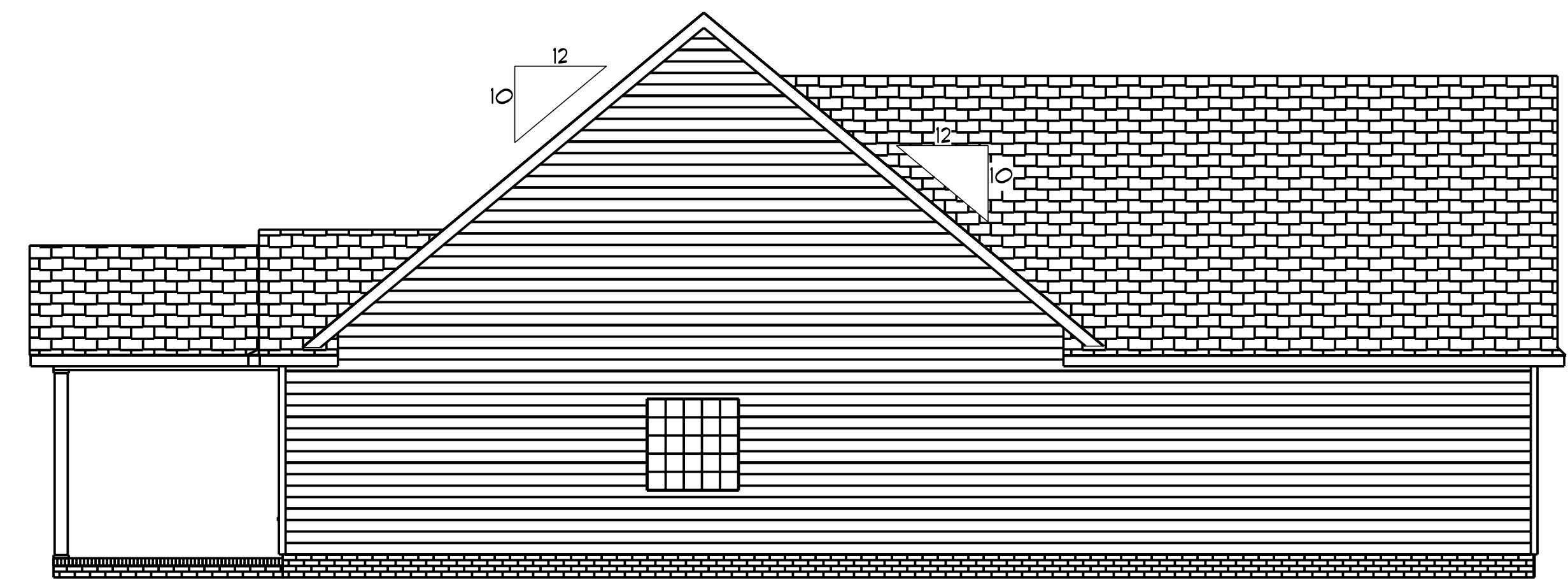
Front Elevation  
Scale: 1/4" = 1'0"



Rear Elevation  
Scale: 3/16" = 1'0"



Right Elevation  
Scale: 3/16" = 1'0"



Left Elevation  
Scale: 3/16" = 1'0"

DATE: 12/14/2022

REVISED

DRAWING\*

SCALE: 1/4"

DRAWN BY

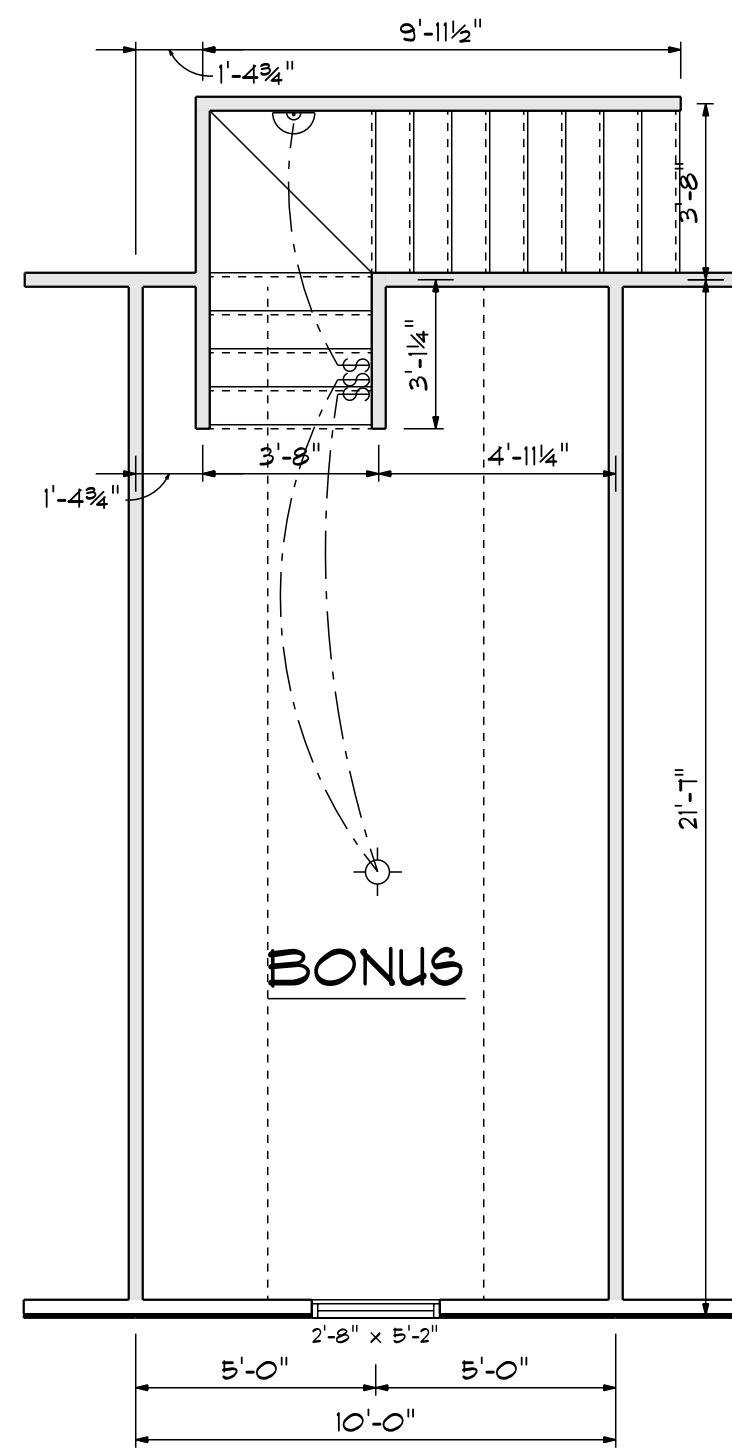
APPROVED

Plan #11

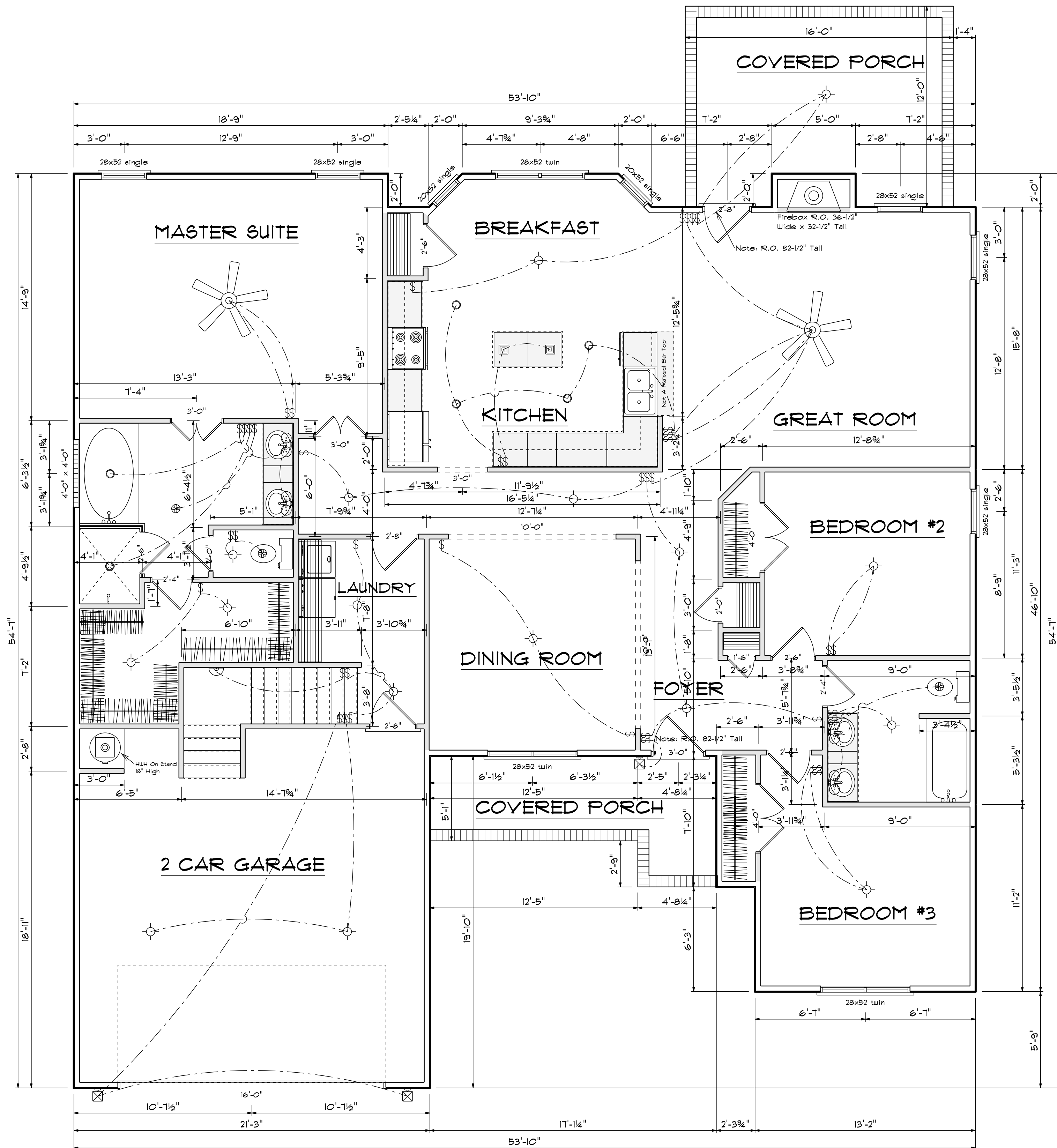


### Areas

Main Floor	2001
Bonus Room	208
=====	
Total Heated	2209
Garage	451
Front Porch	99
Rear Porch	132



**Bonus Room Plan**  
Scale: 1/4" = 1'-0"



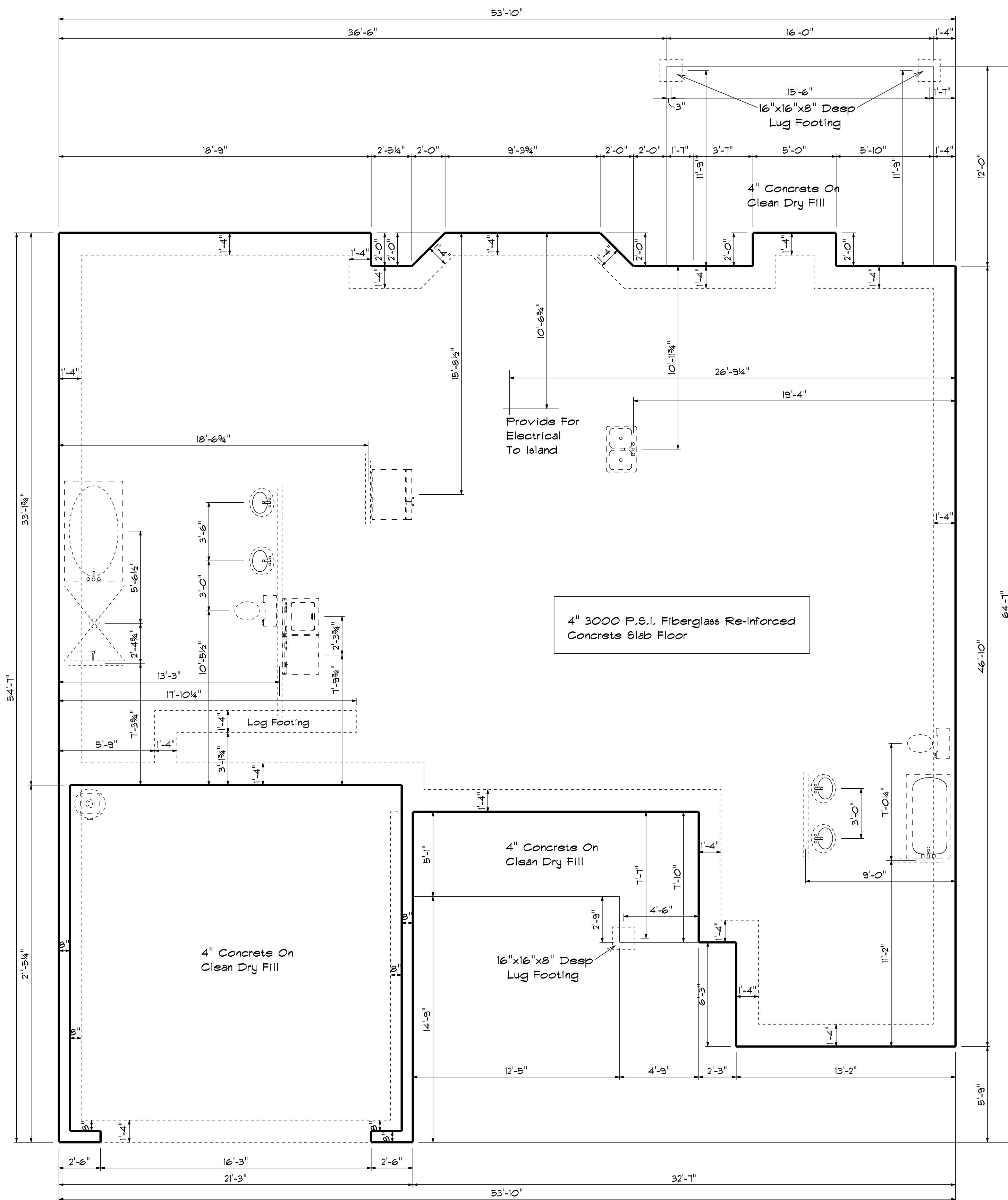
**Main Floor Plan**  
Scale: 1/4" = 1'-0"

DATE: 12/14/2022  
REVISED  
DRAWING#

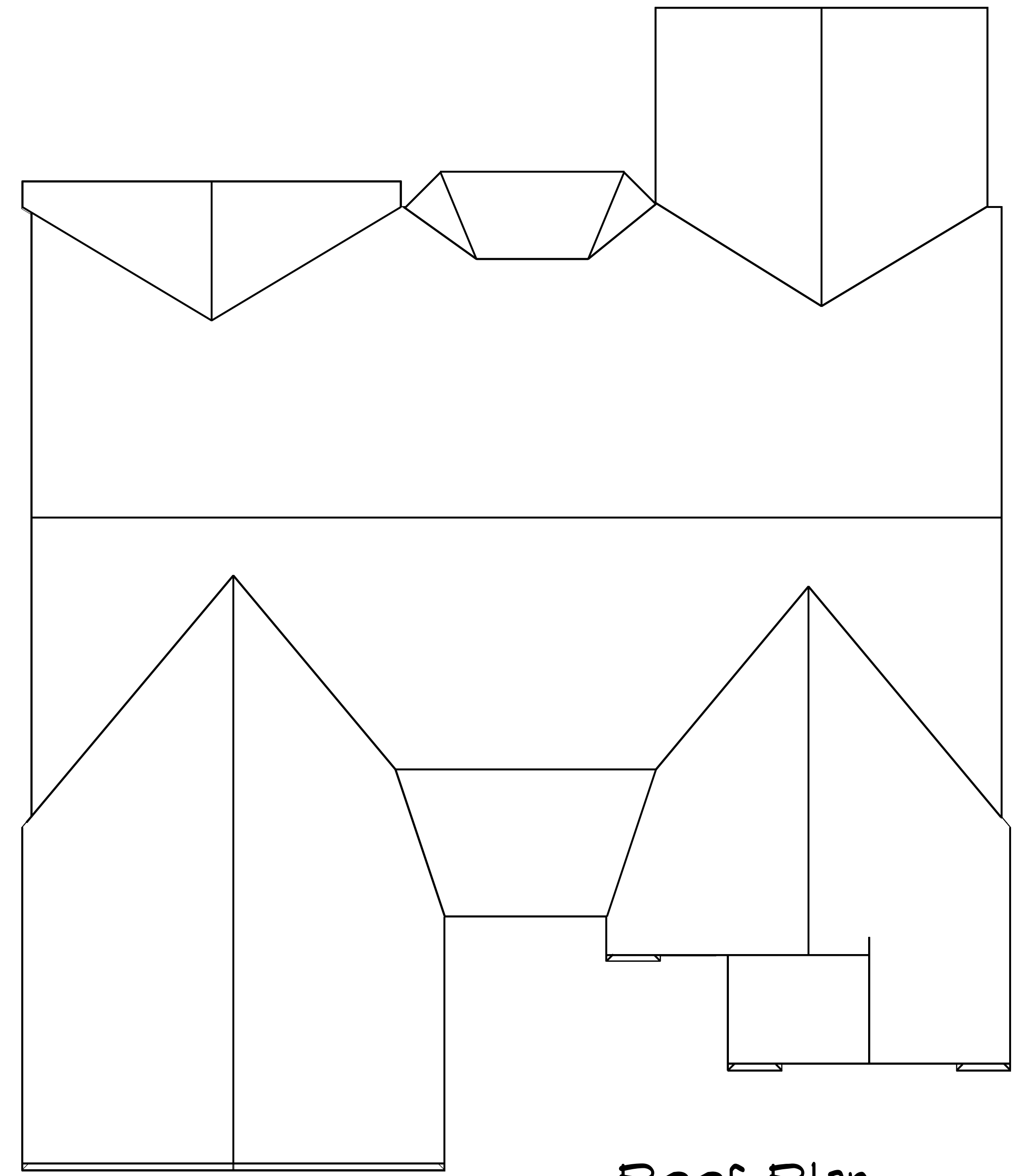
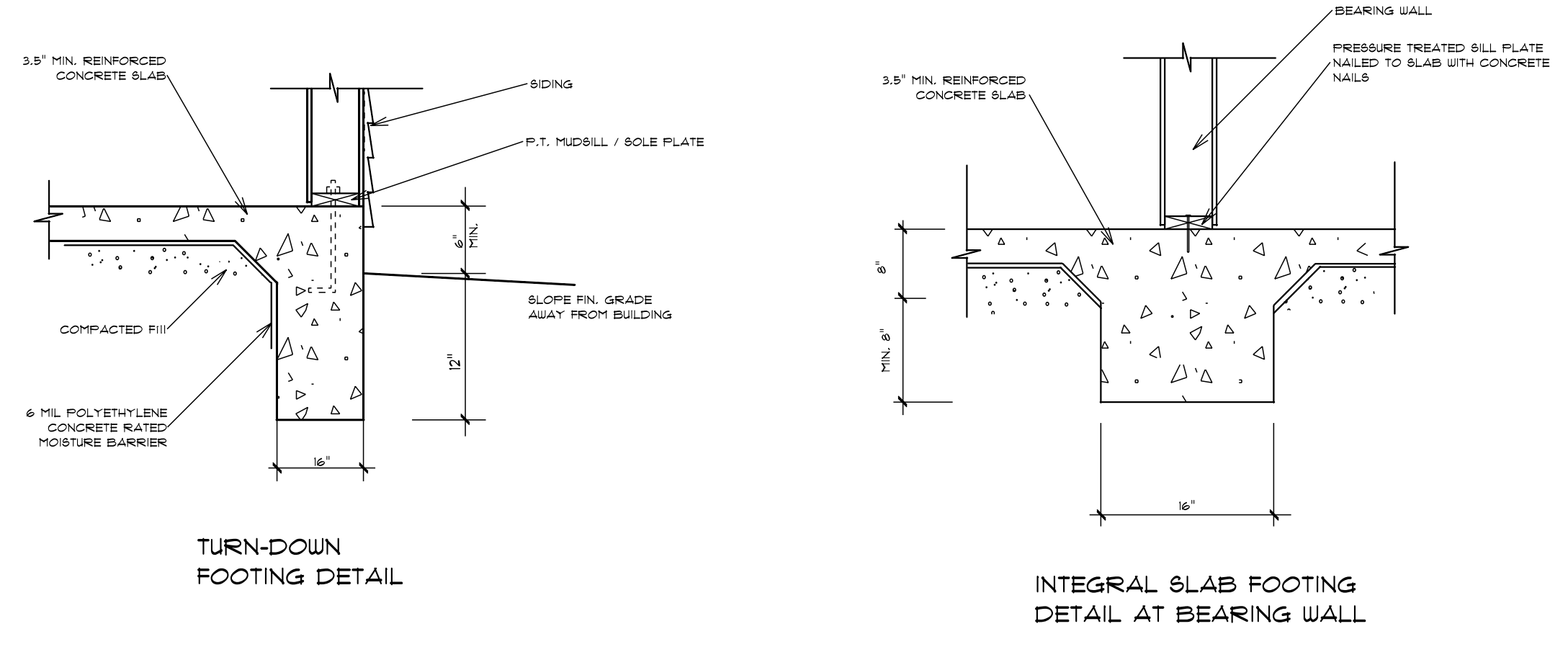
SCALE: 1/4"  
DRAWN BY  
APPROVED

**Plan #11**





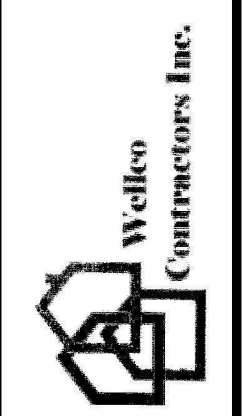
**Foundation Plan**  
Scale: 1/4" = 1'-0"

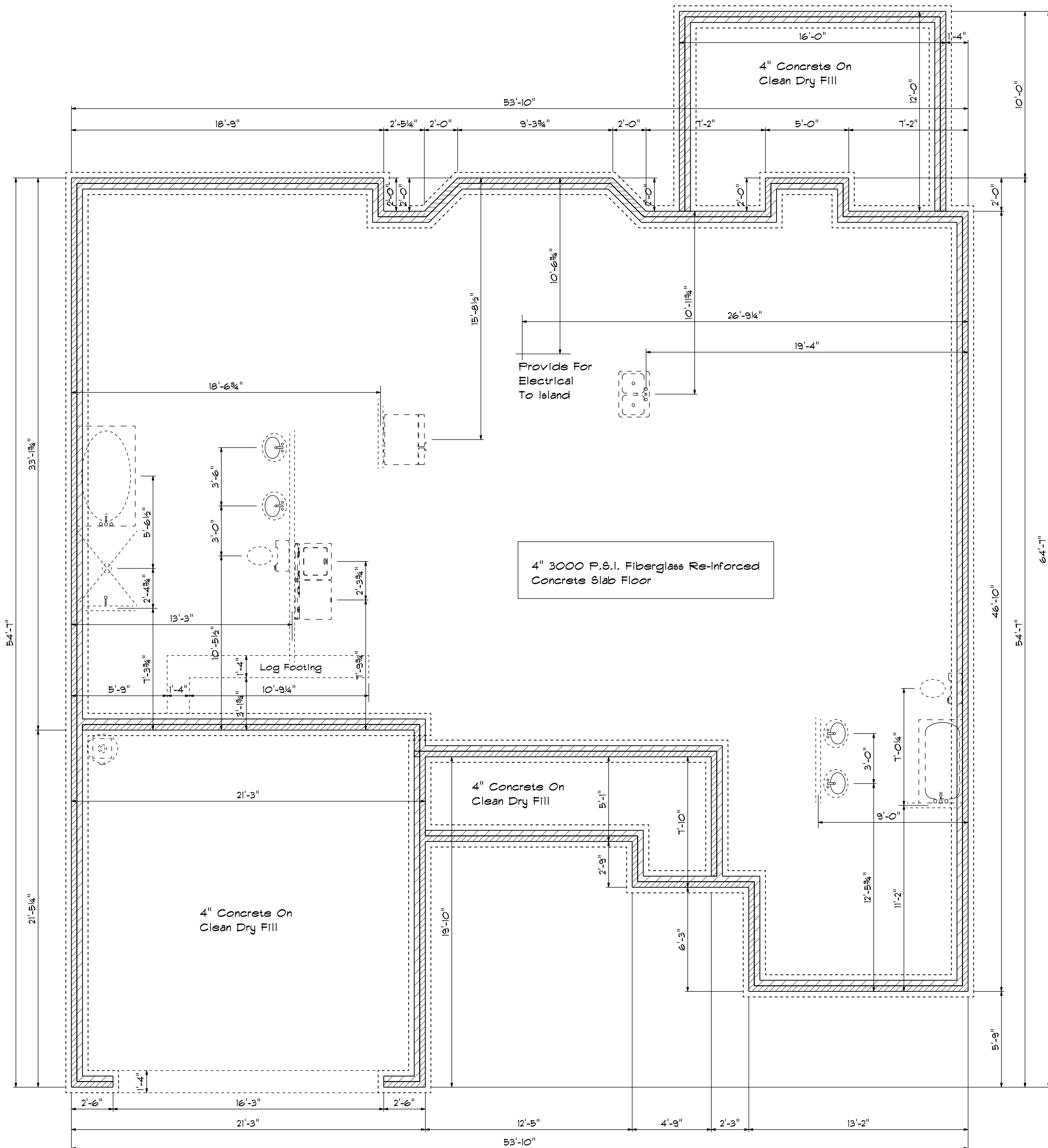


**Roof Plan**

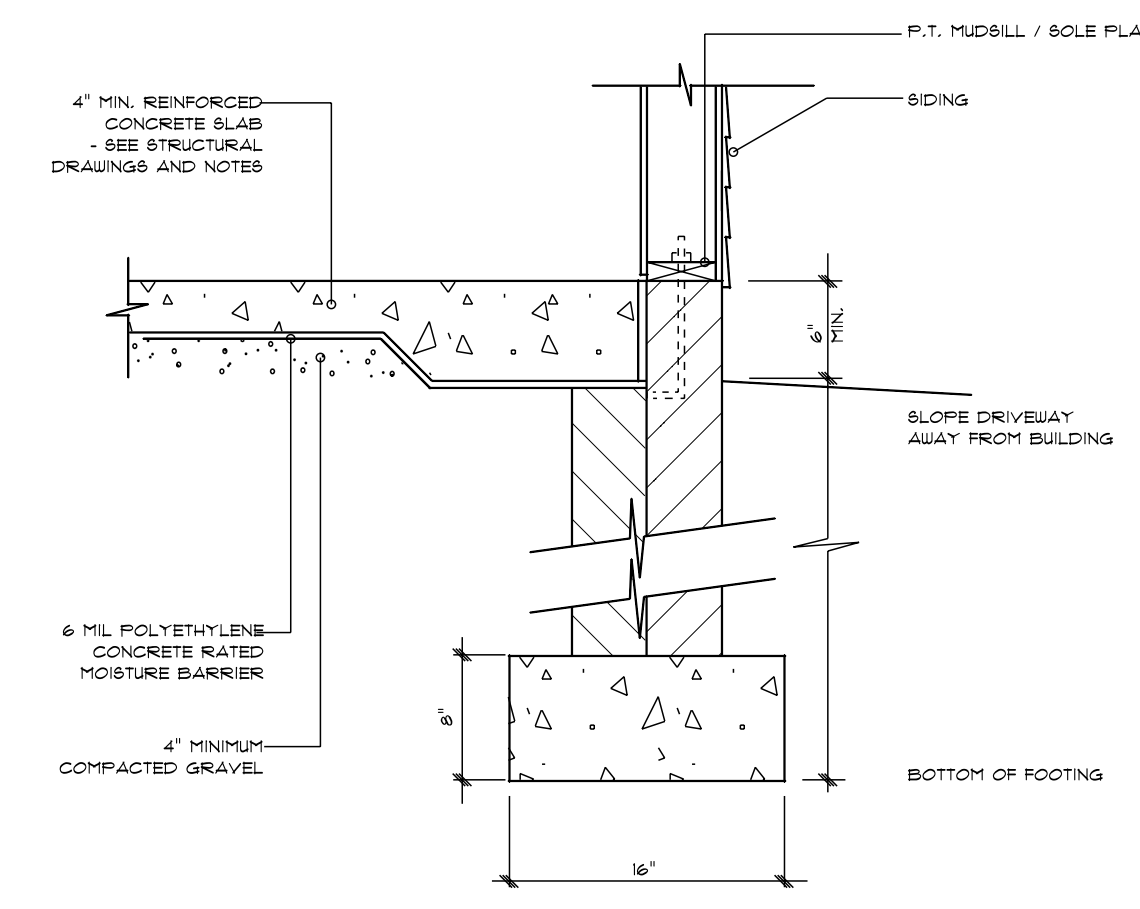
DATE: 12/14/2022
REVISED
DRAWING*
SCALE: 1/4"
DRAWN BY
APPROVED

**Plan #11**

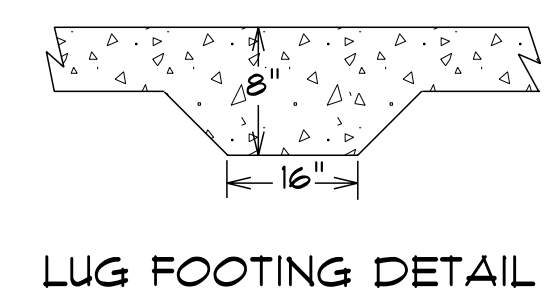




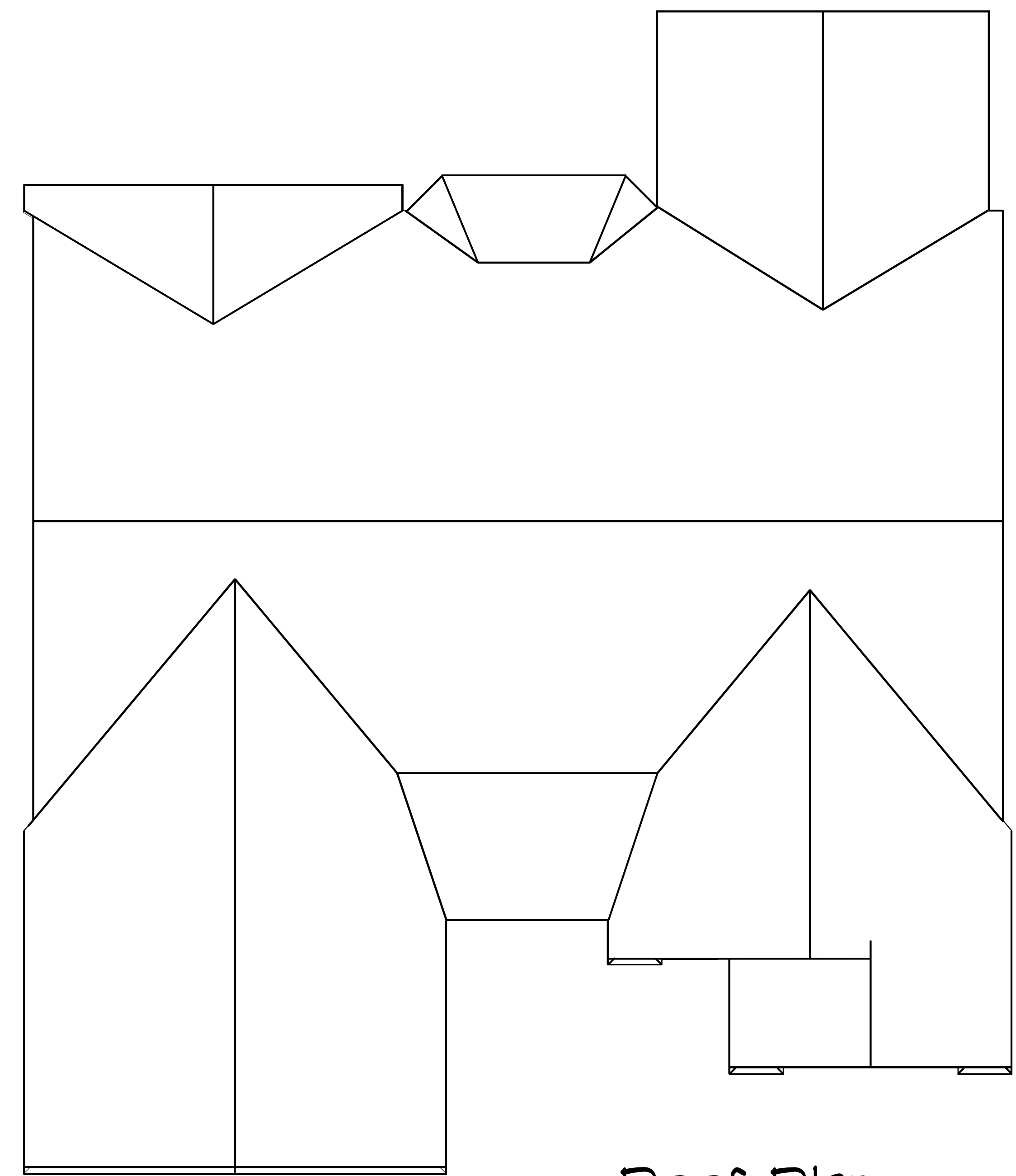
**Foundation Plan**  
Scale: 1/4" = 1'-0"



**STEM WALL FOOTING DETAIL**



**LUG FOOTING DETAIL**



**Roof Plan**

DATE: 12/14/2022
REVISED
DRAWING*

SCALE: 1/4"
DRAWN BY
APPROVED

**Plan #11**

