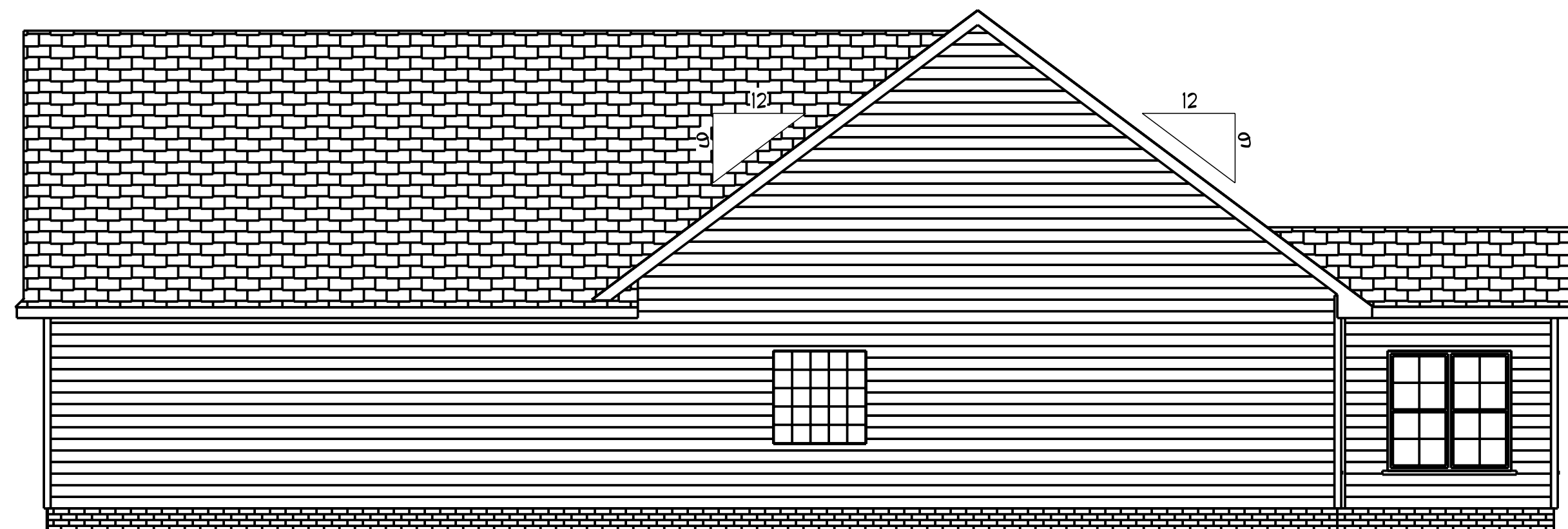




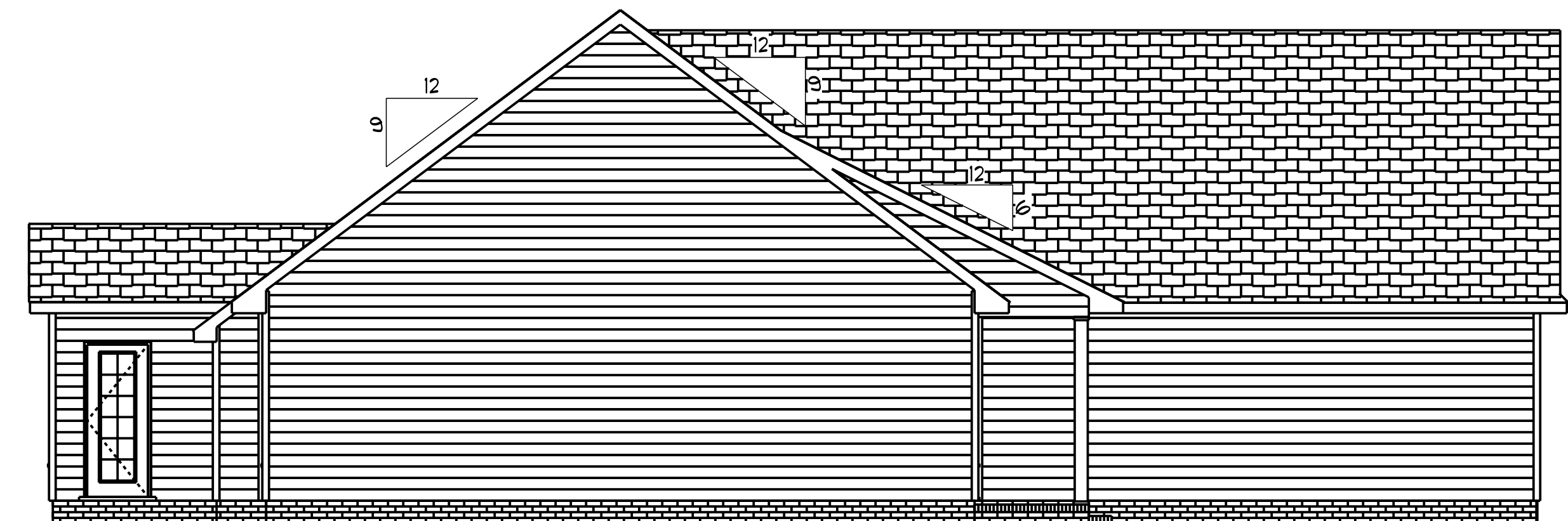
Front Elevation  
Scale: 1/4" = 1'0"



Rear Elevation  
Scale: 3/16" = 1'0"



Right Elevation  
Scale: 3/16" = 1'0"



Left Elevation  
Scale: 3/16" = 1'0"

DATE: 2/16/2022

REVISED

DRAWING\*

SCALE: 1/4"

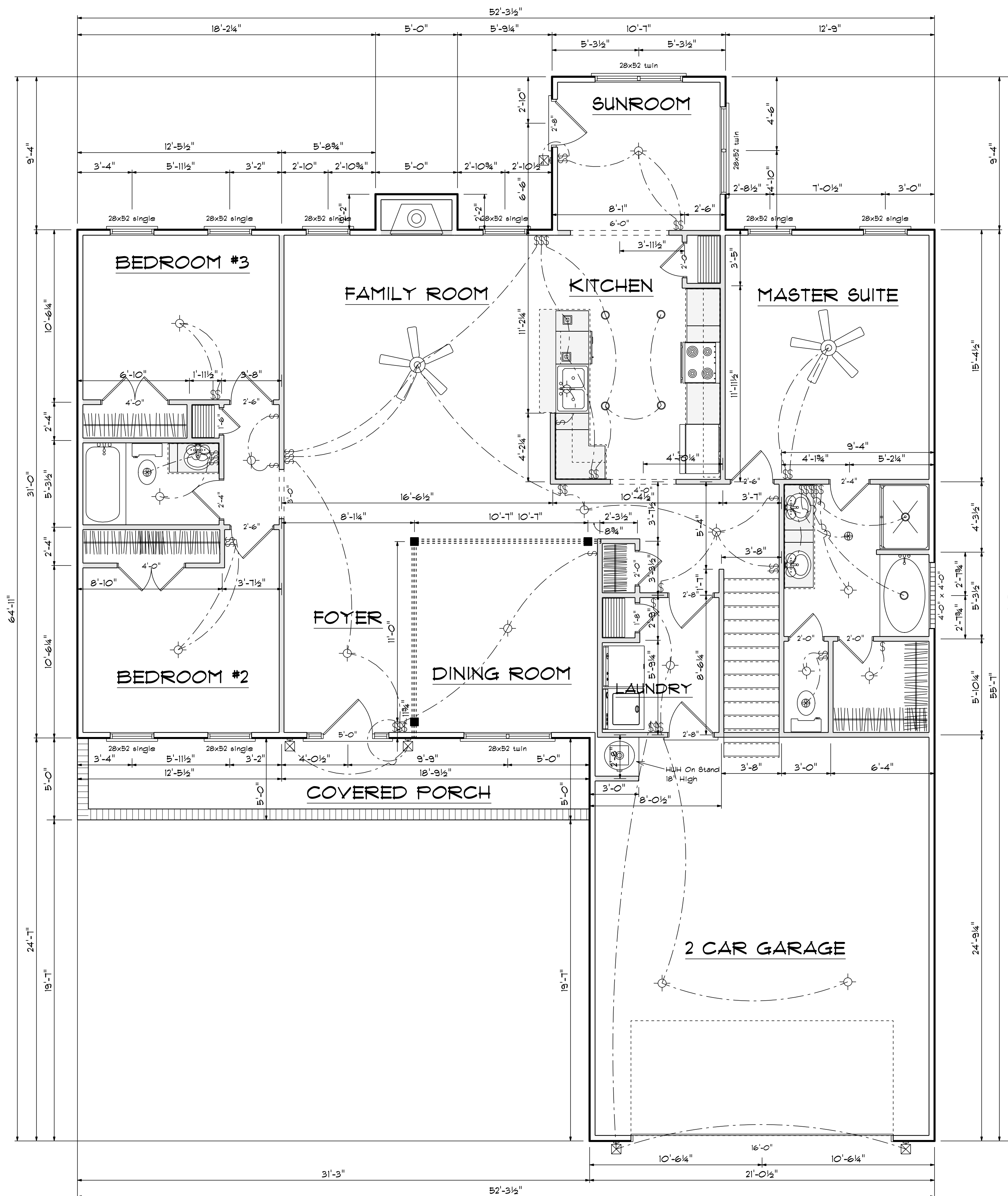
DRAWN BY

APPROVED

Plan #9



Welton  
Contractors, Inc.

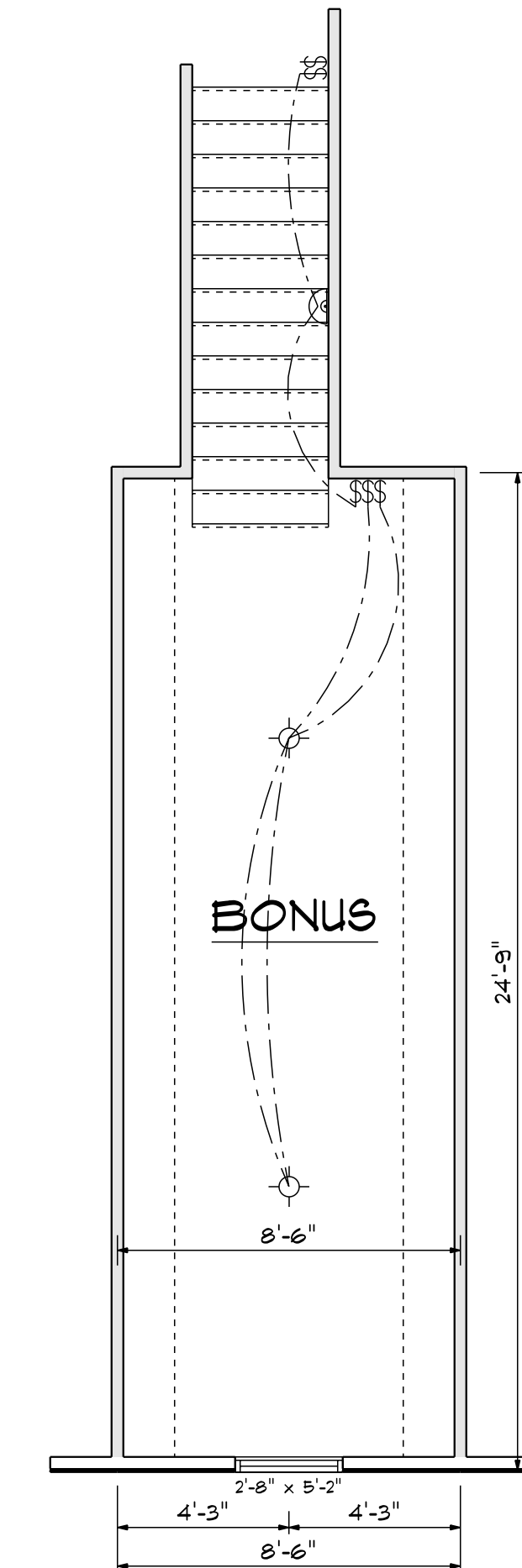


**First Floor Plan**  
Scale: 1/4" = 1'-0"

OPENING SCHEDULE				
PRODUCT CODE	SIZE	HINGE	REVERSED	COUNT
60X80 LH ENTRY - 2 SL	5'-0"	L	NA	1
32X80 FRENCH A 1	2'-8"	L	NO	1
192X84 - GARAGE DOOR	16'-0"	U	NO	1
1-6 Door Unit	1'-6"	L	NO	1
1-8 Door Unit	1'-8"	R	NO	1
2-0 Door Unit	2'-0"	R	NO	3
2-0 Door Unit	2'-0"	L	NO	1
2-4 Door Unit	2'-4"	L	NO	2
2-6 Door Unit	2'-6"	R	NO	1
2-6 Door Unit	2'-6"	L	NO	2
2-8 Door Unit	2'-8"	L	NO	1
2-8 Door Unit	2'-8"	R	NO	1
4-0 Doublehung Door Unit	4'-0"	LR	NO	2
28x52 single	2'-8" x 5'-2"	N	NA	9
28x52 twin	5'-4" x 5'-2"	NN	NA	3
4X8 GLASS BLOCK	4'-0" x 4'-0"	N	NA	1

**Areas**

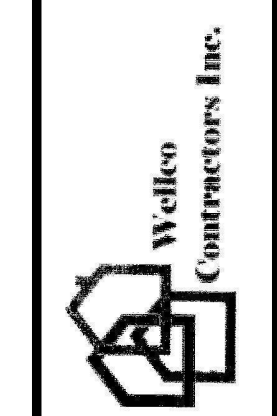
Main Floor	1728
Bonus Room	219
=====	
Total	1947
Garage	520
Front Porch	155

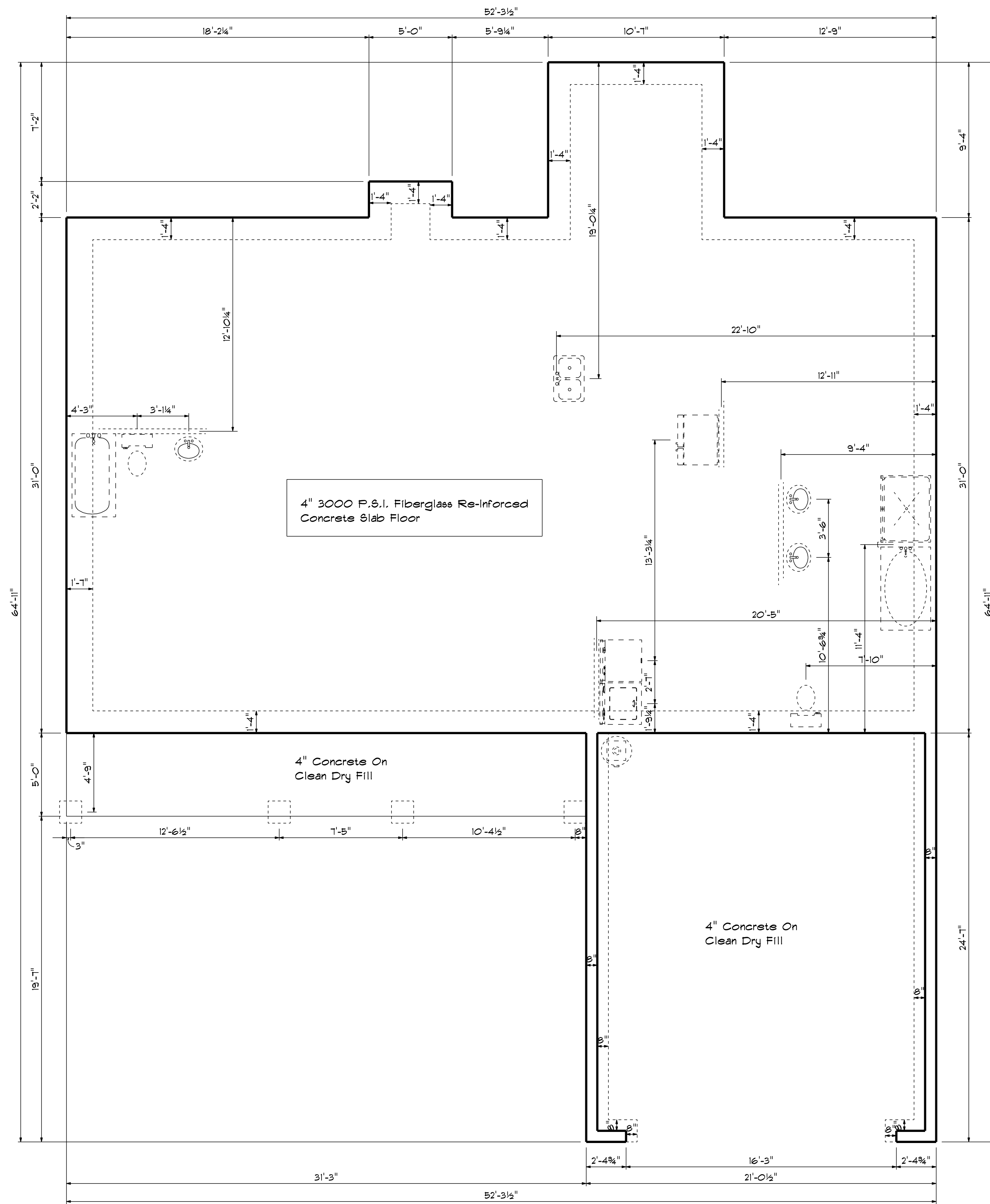


DATE: 2/16/2022  
REVISED  
DRAWING\*

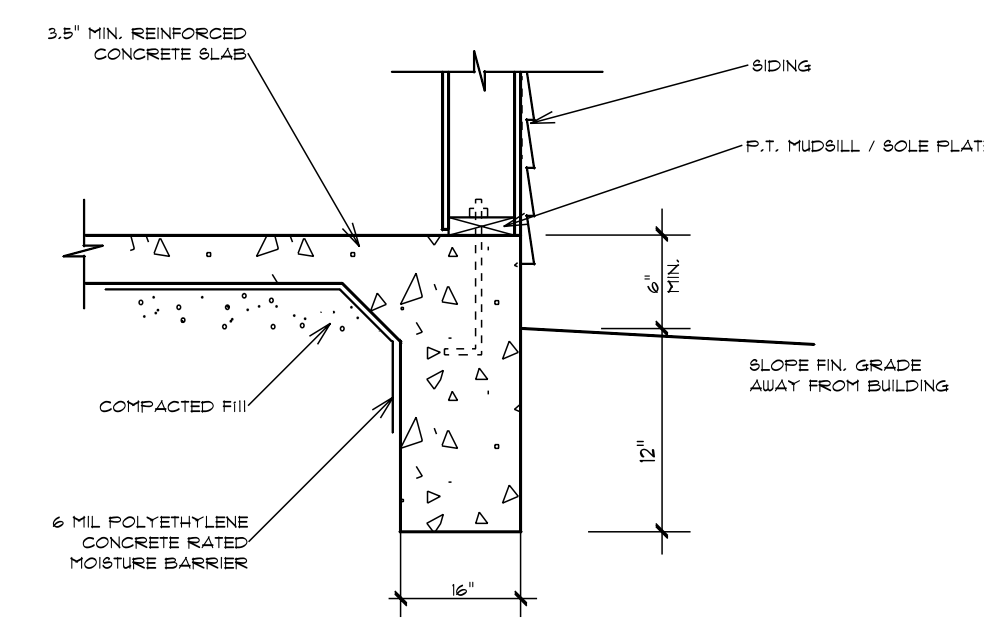
SCALE: 1/4"  
DRAWN BY  
APPROVED

**Plan #9**

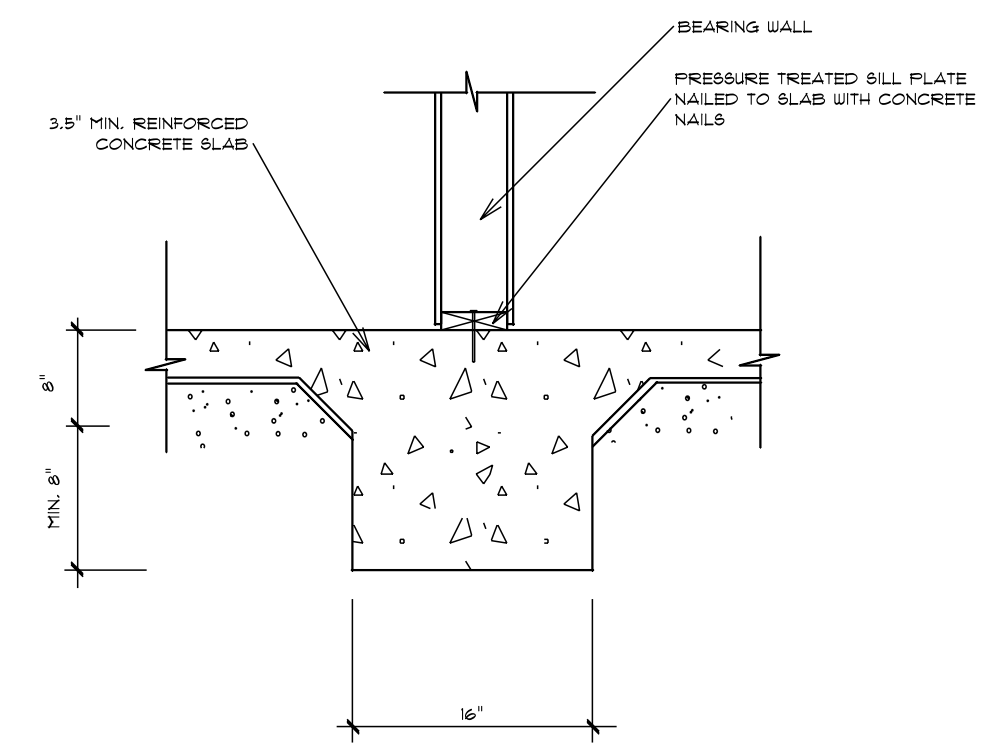




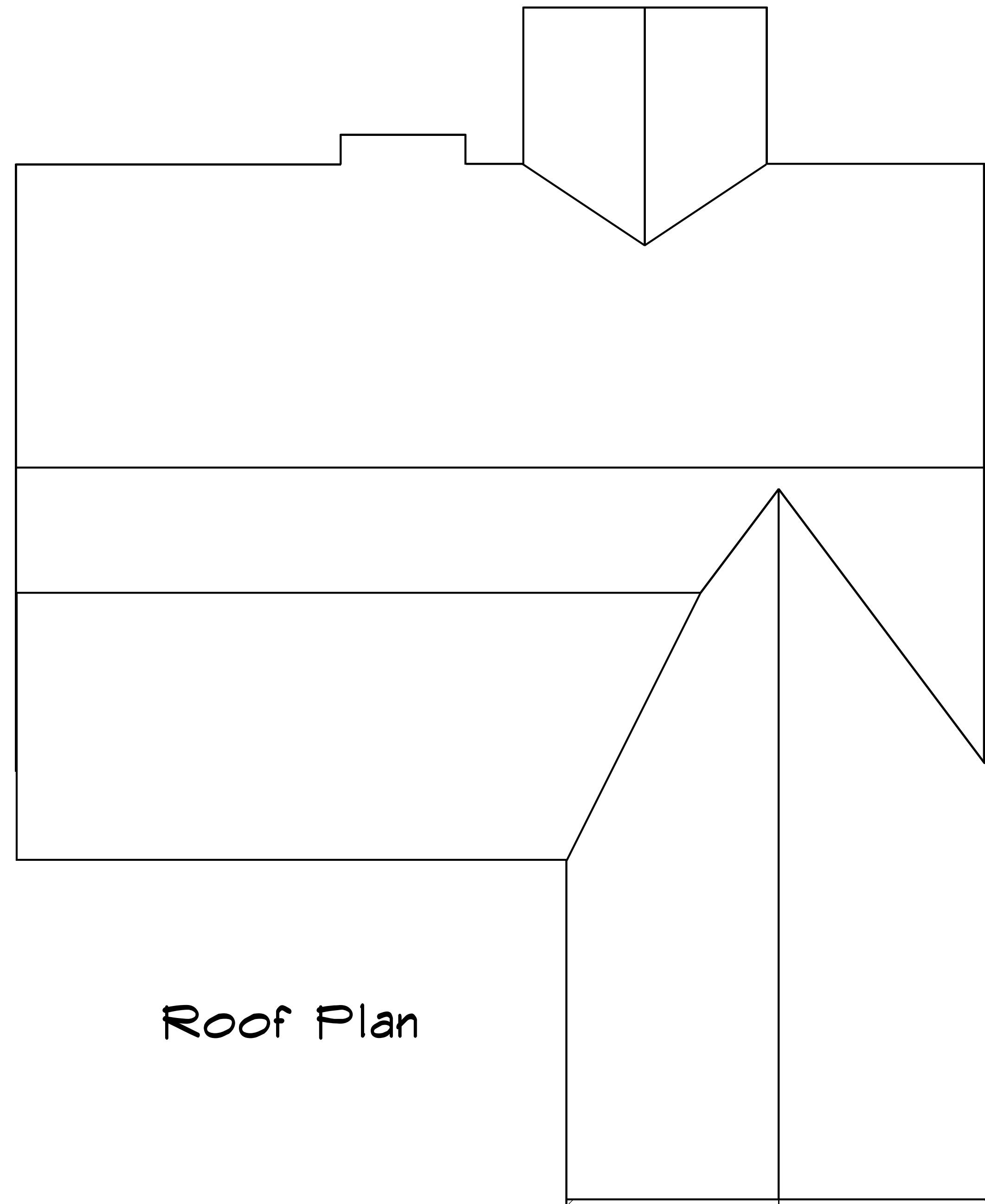
**Foundation Plan**  
Scale: 1/4" = 1'-0"



TURN-DOWN  
FOOTING DETAIL



INTEGRAL SLAB FOOTING  
DETAIL AT BEARING WALL

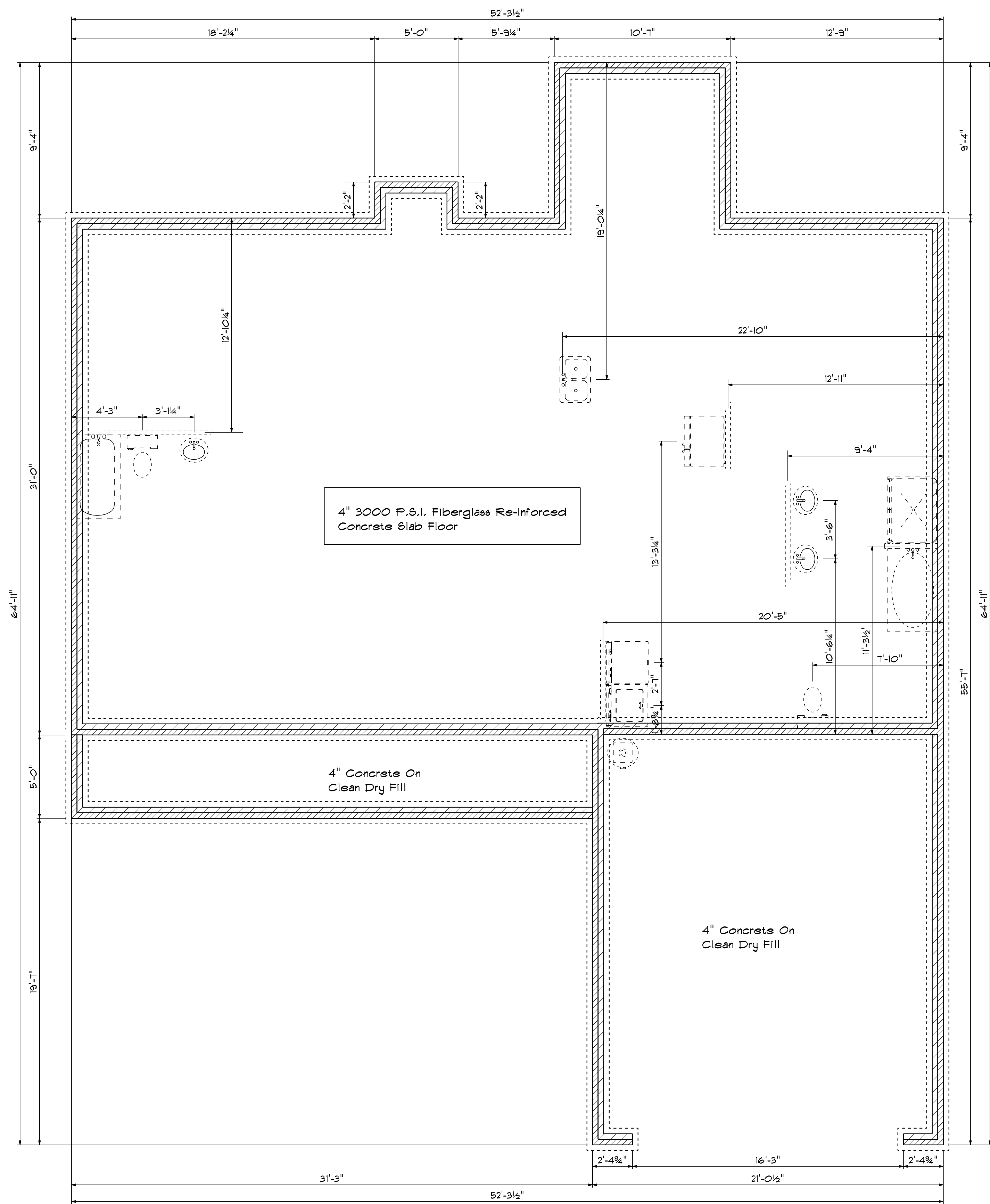


**Roof Plan**

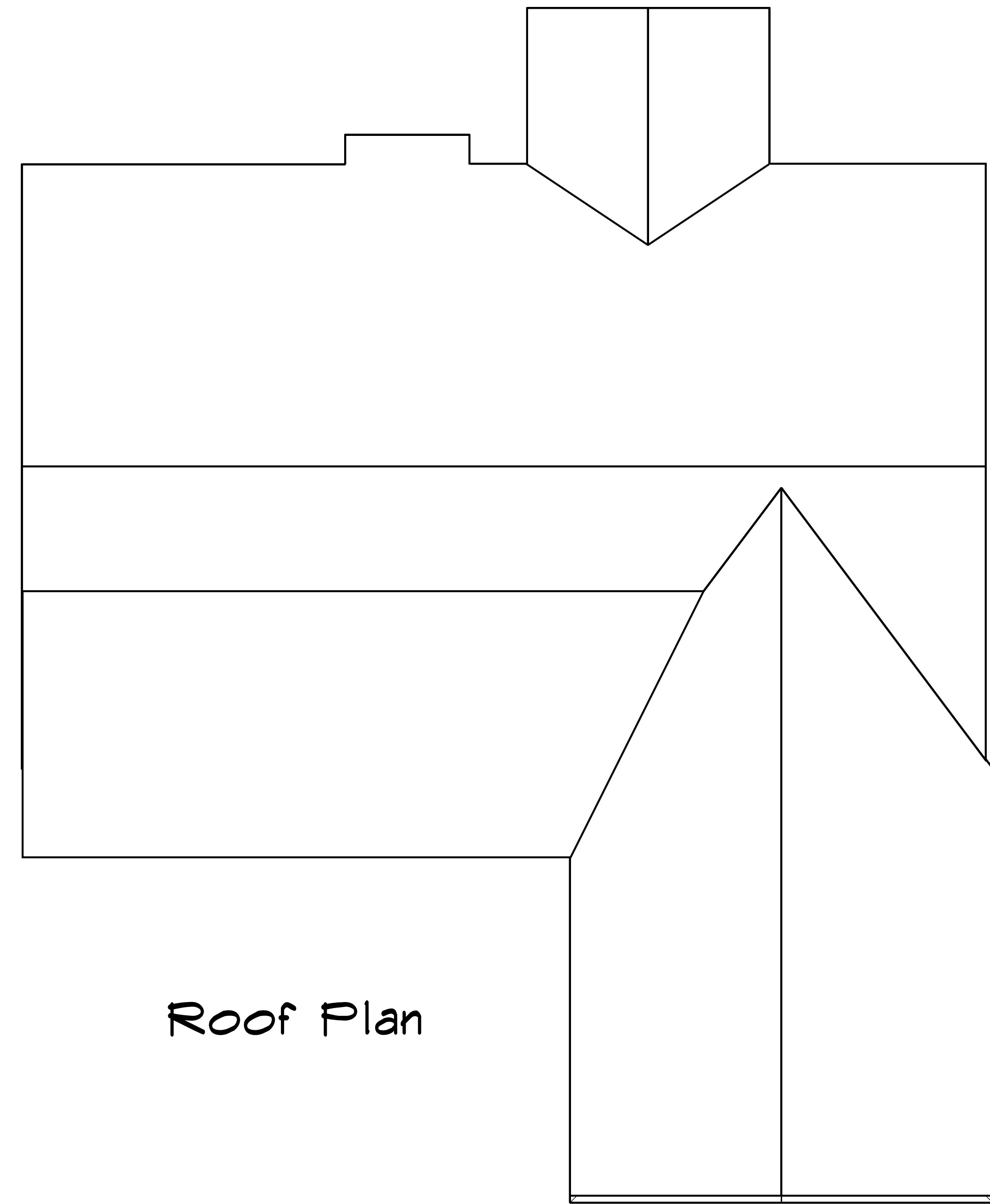
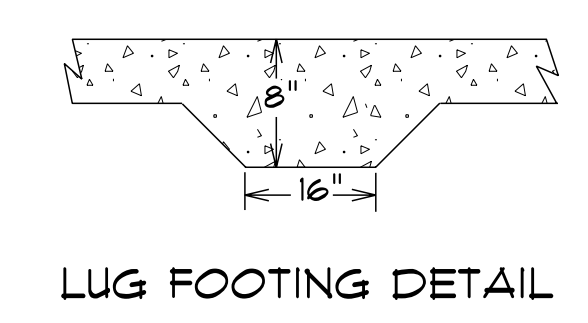
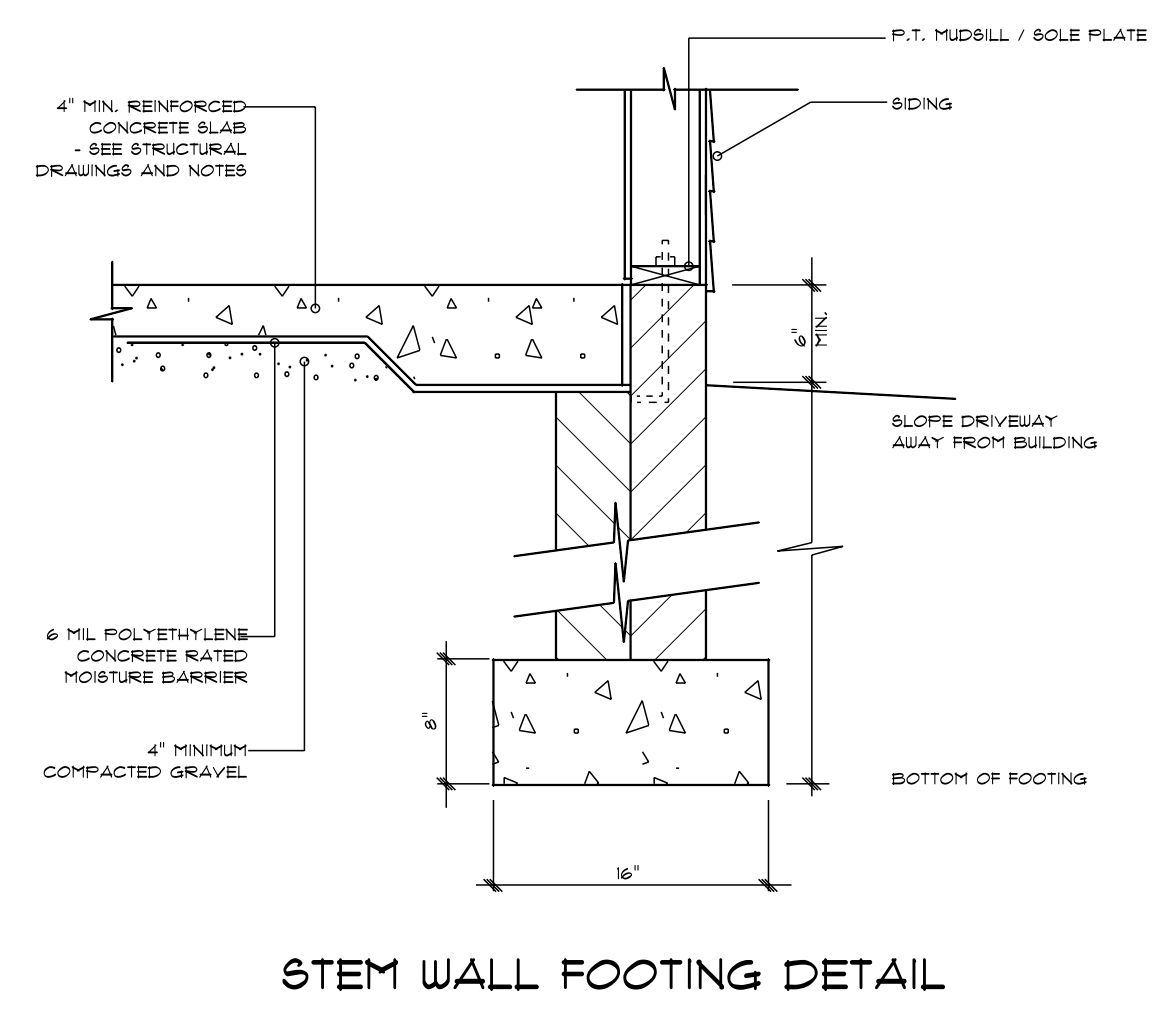
DATE: 2/16/2022
REVISED
DRAWING*

SCALE: 1/4"
DRAWN BY
APPROVED

**Plan #9**



**Foundation Plan**  
Scale: 1/4" = 1'-0"



**Roof Plan**

DATE: 2/16/2022
REVISED
DRAWING*

SCALE: 1/4"
DRAWN BY
APPROVED

**Plan #9**

