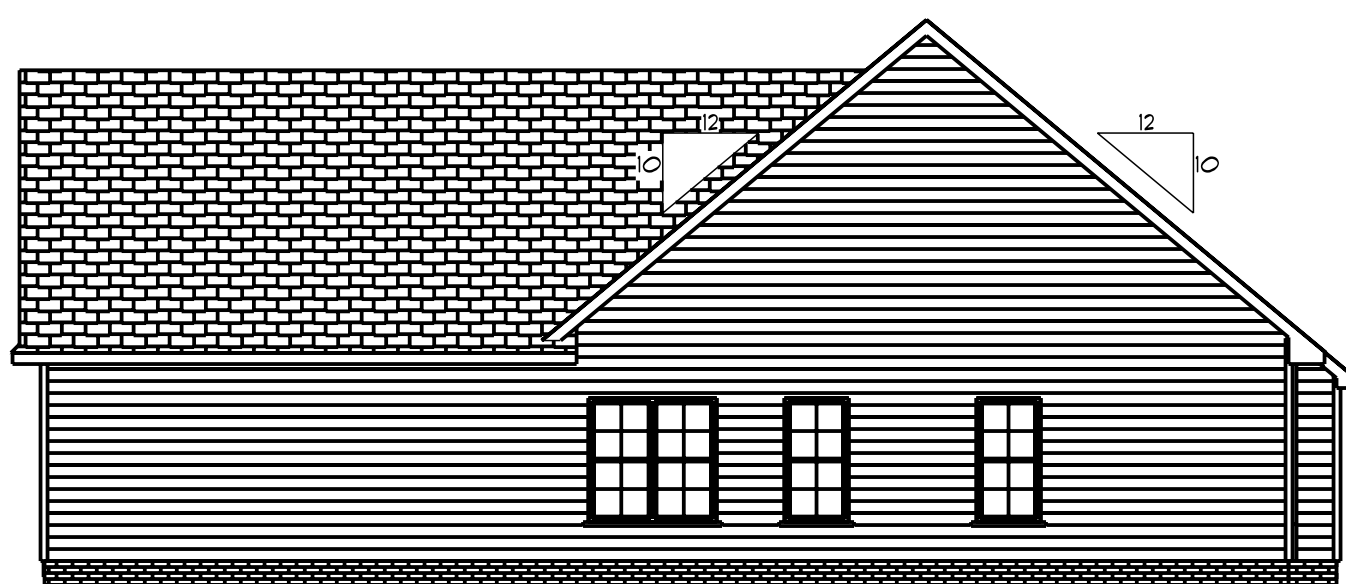




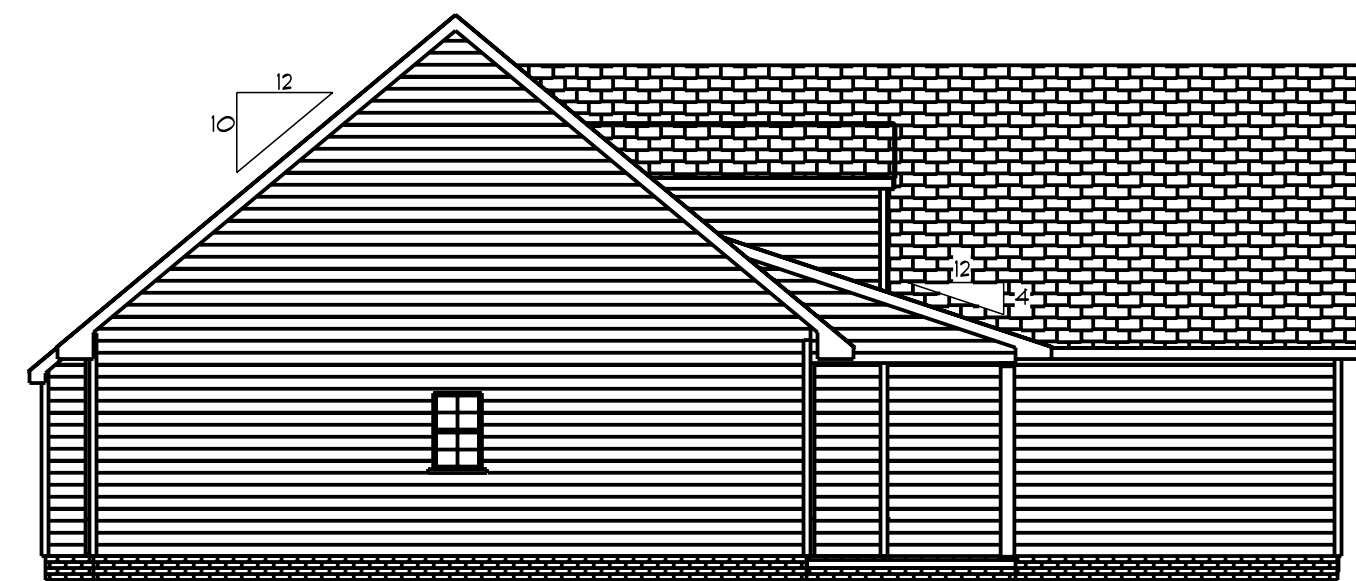
Front Elevation
Scale: 1/4" = 1'0"



Rear Elevation
Scale: 1/8" = 1'0"



Right Elevation
Scale: 1/8" = 1'0"



Left Elevation
Scale: 1/8" = 1'0"

DATE: 8/24/2022

REVISED

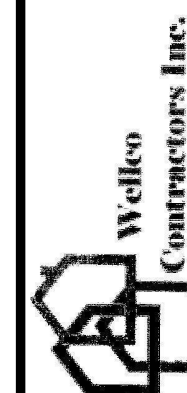
DRAWING#

SCALE: 1/4"

DRAWN BY

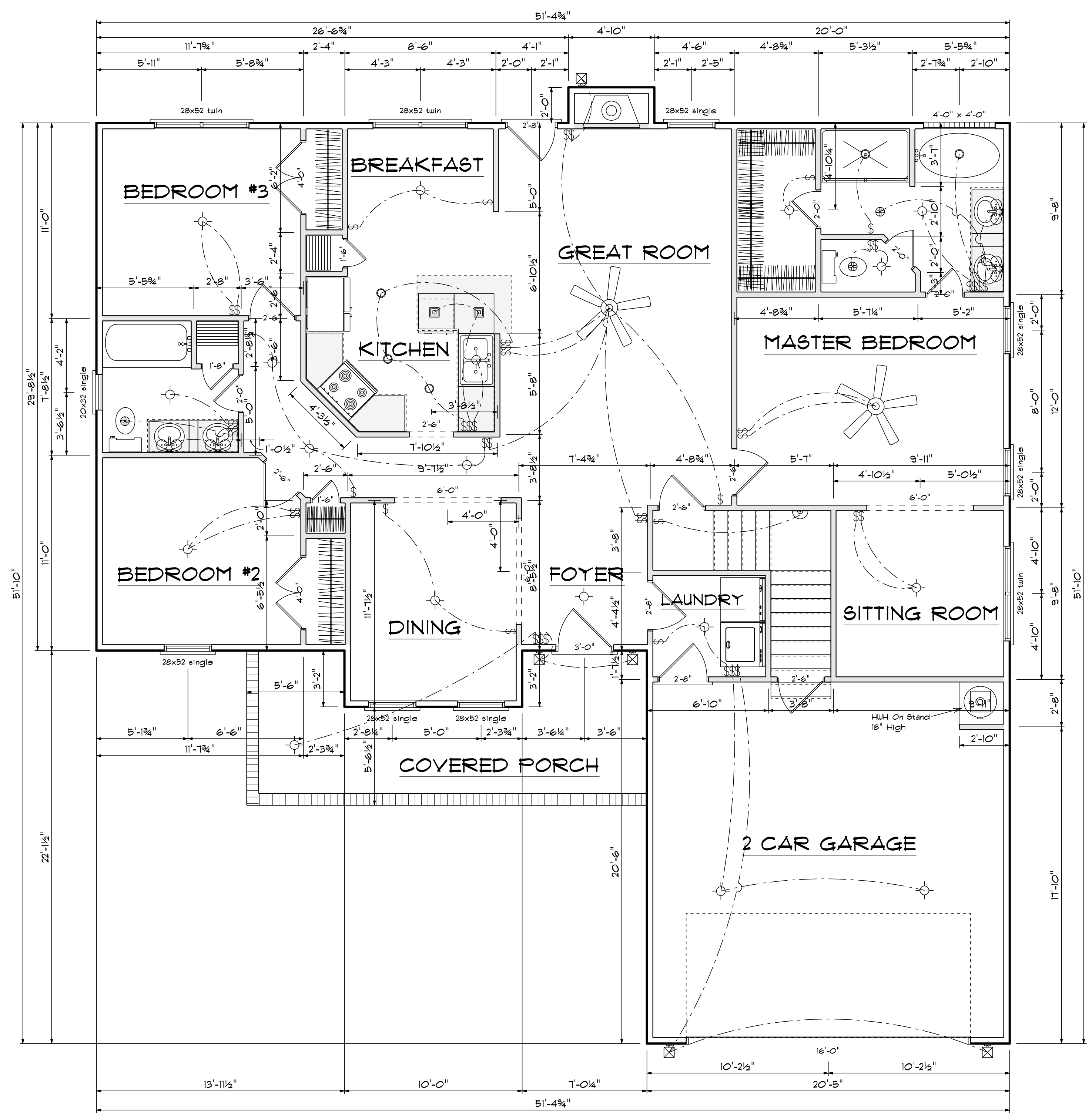
APPROVED

Plan# 8



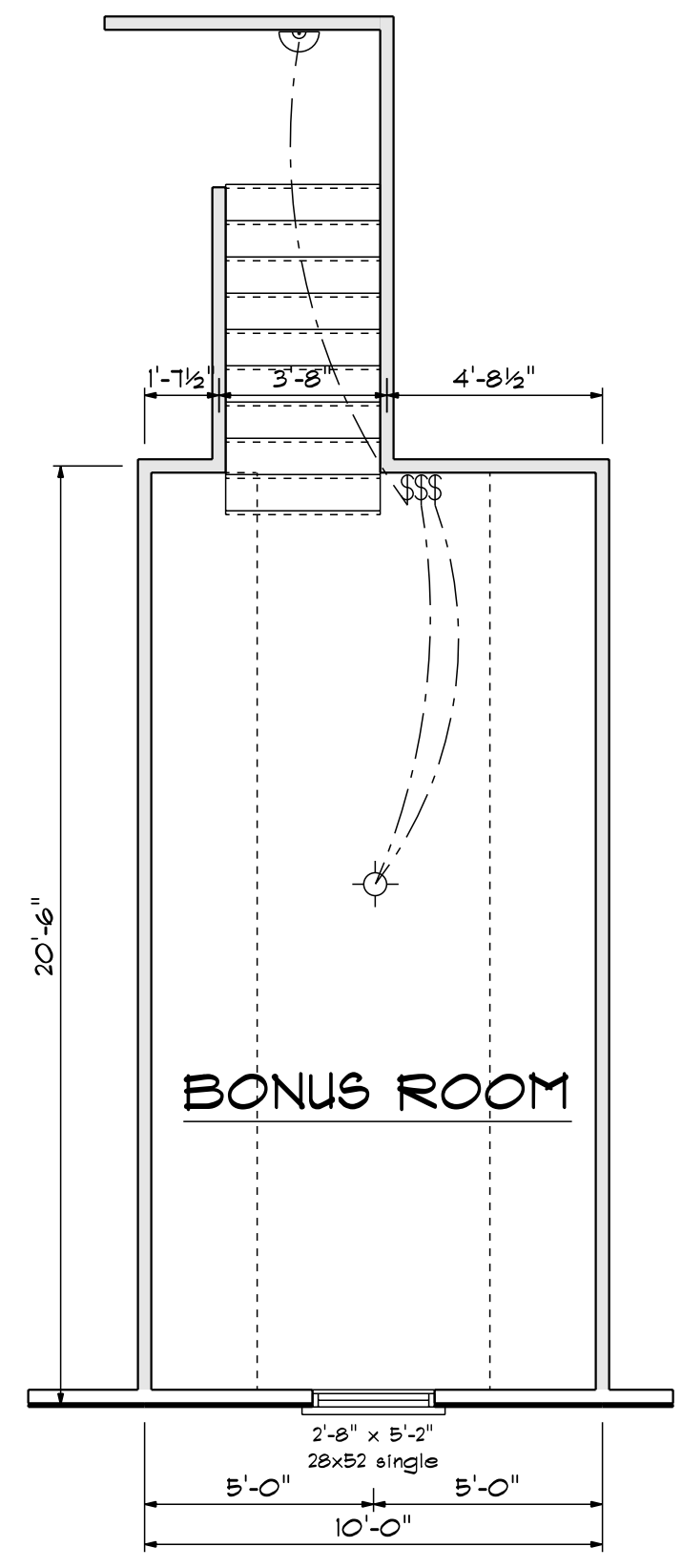
Floor Plan

Scale: 1/4" = 1'-0"



Areas

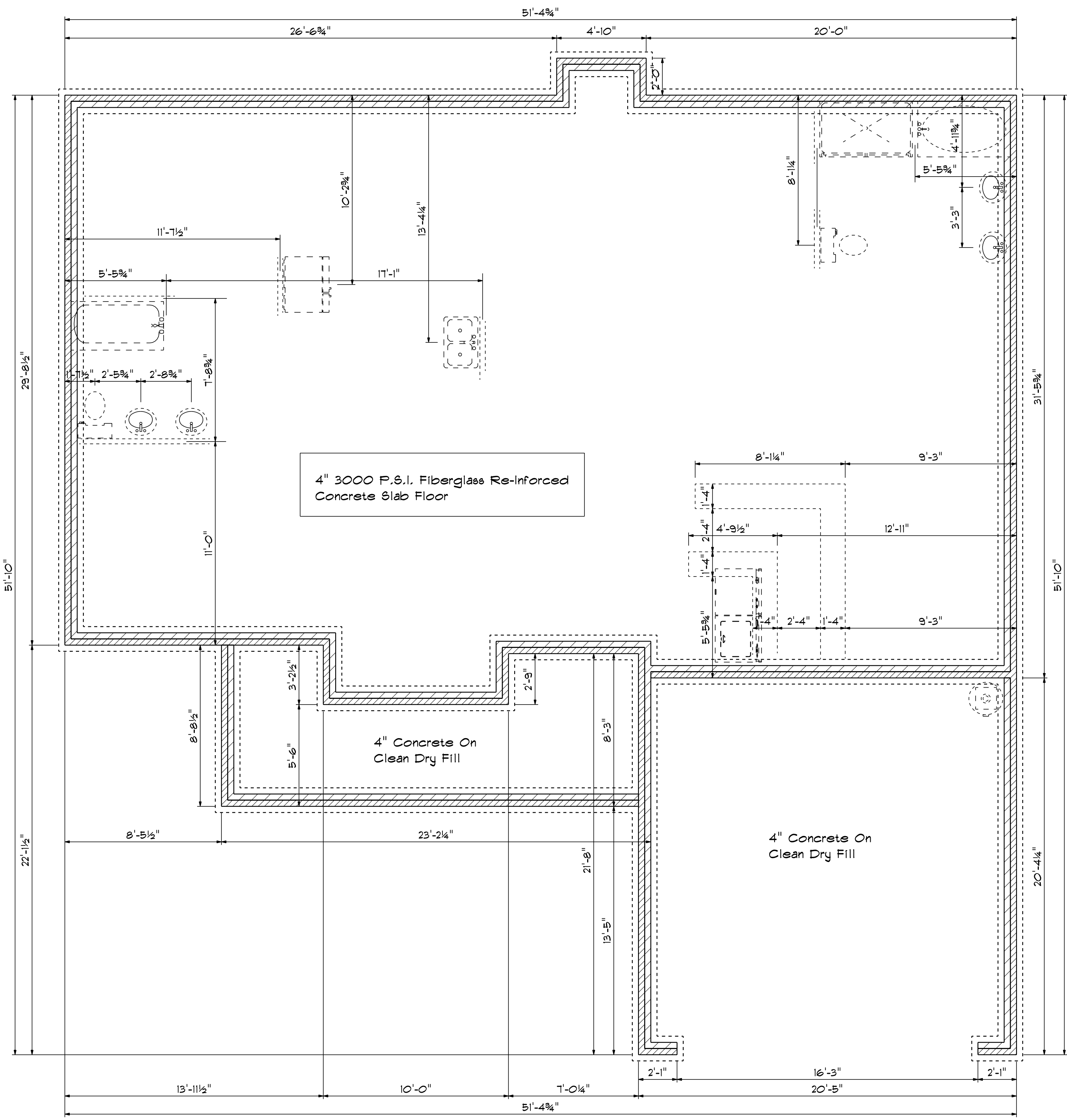
Main Floor	1605
Bonus Room	193
=====	
Total Heated	1798
Garage	417
Front Porch	167



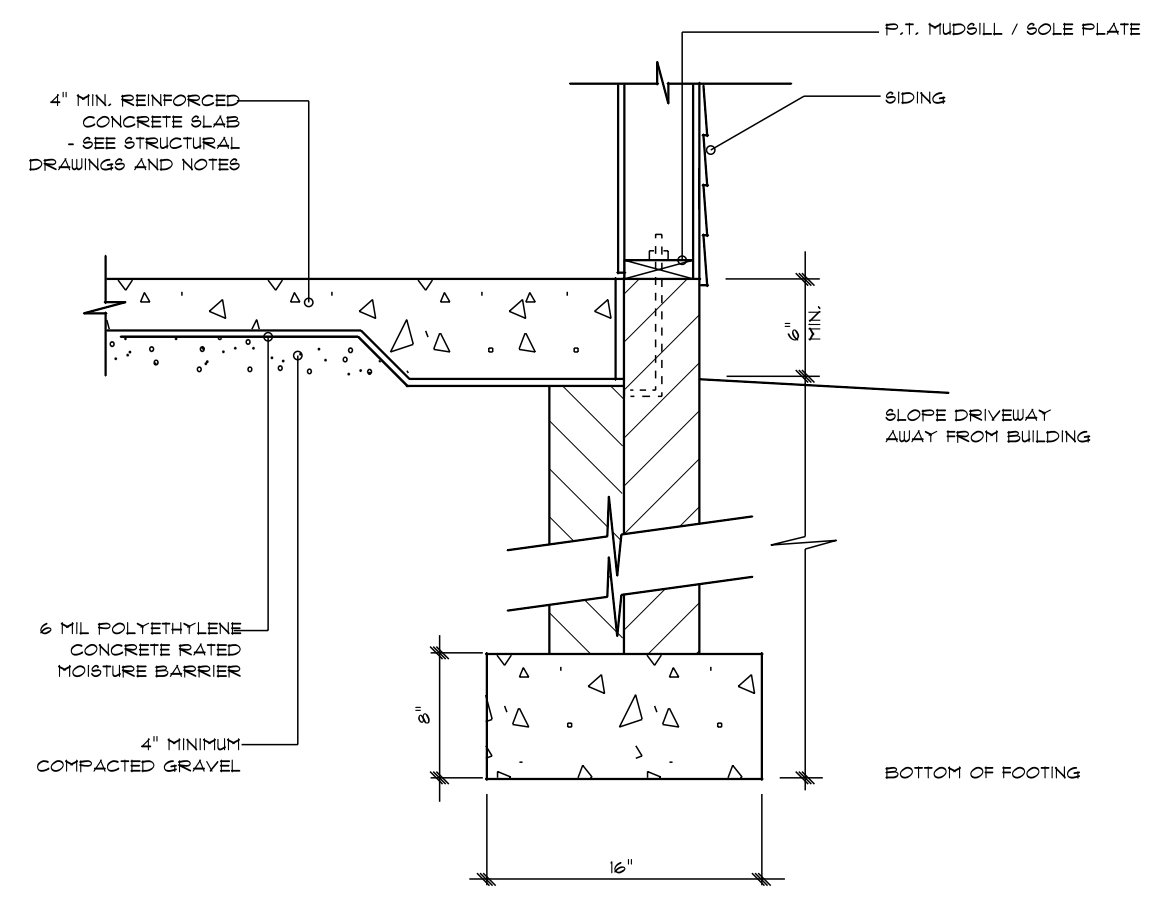
DATE: 8/24/2022
 REVISED
 DRAWING*

SCALE: 1/4"
 DRAWN BY
 APPROVED

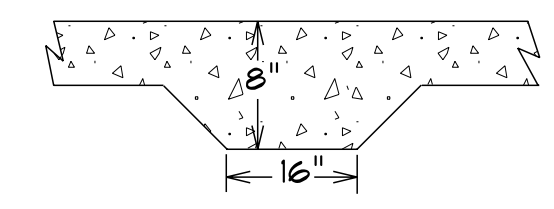
Plan #8



Foundation Plan
 Scale: 1/4" = 1'-0"

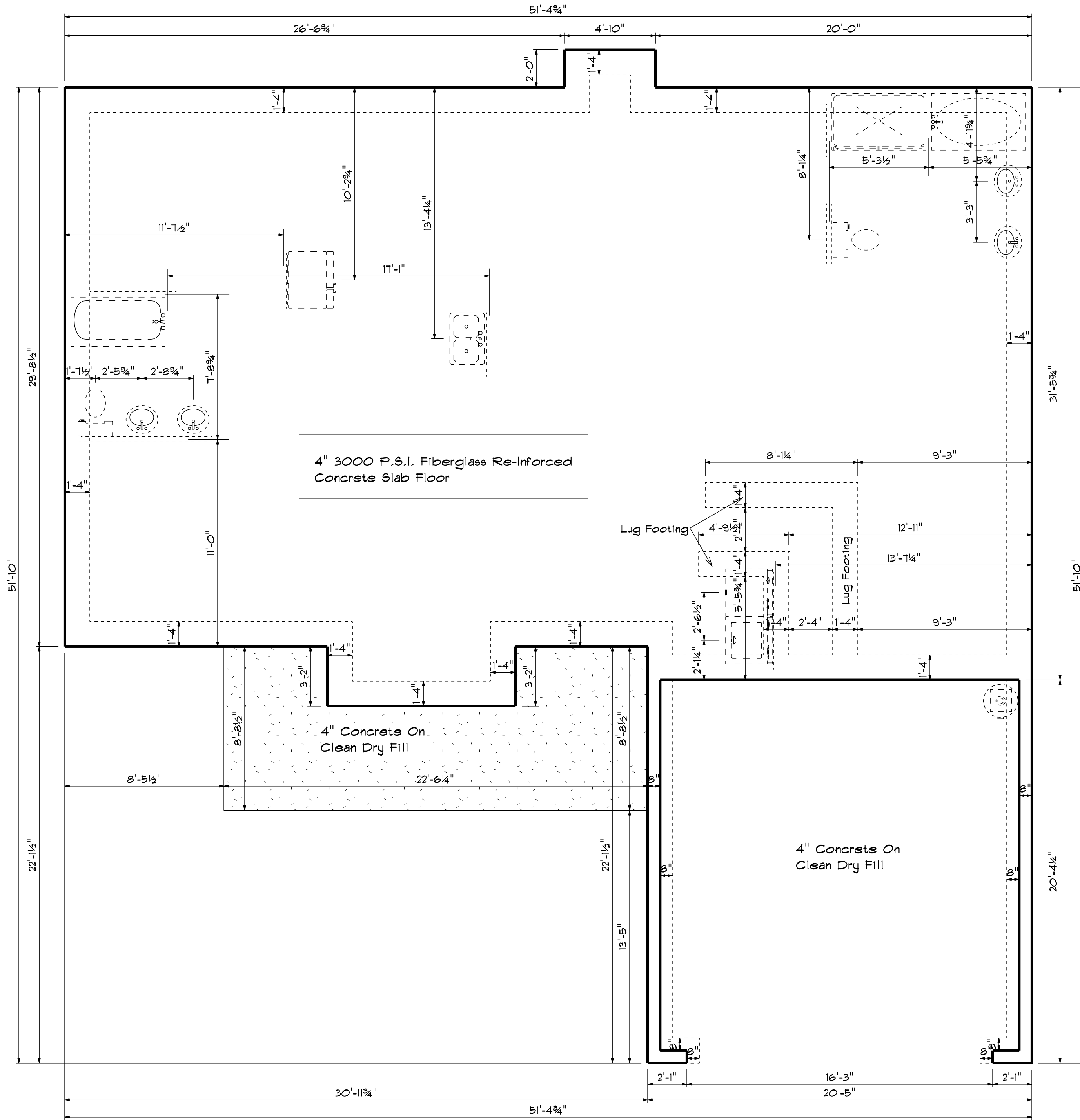


STEM WALL FOOTING DETAIL



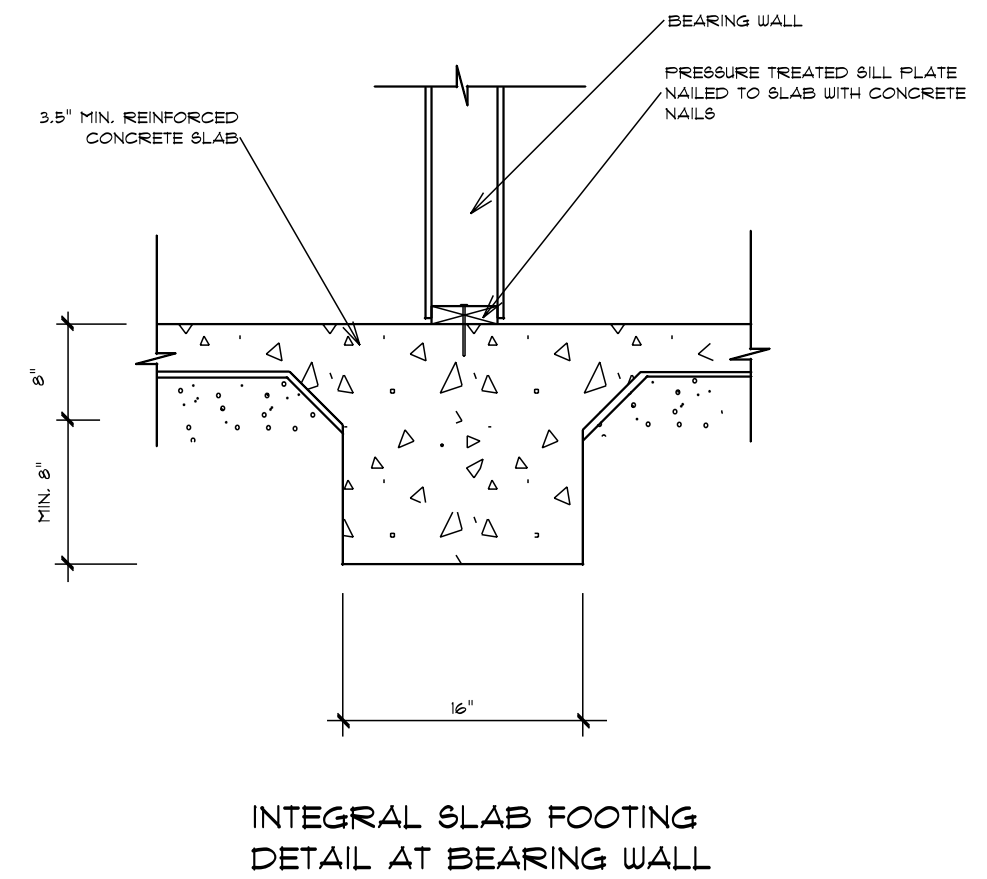
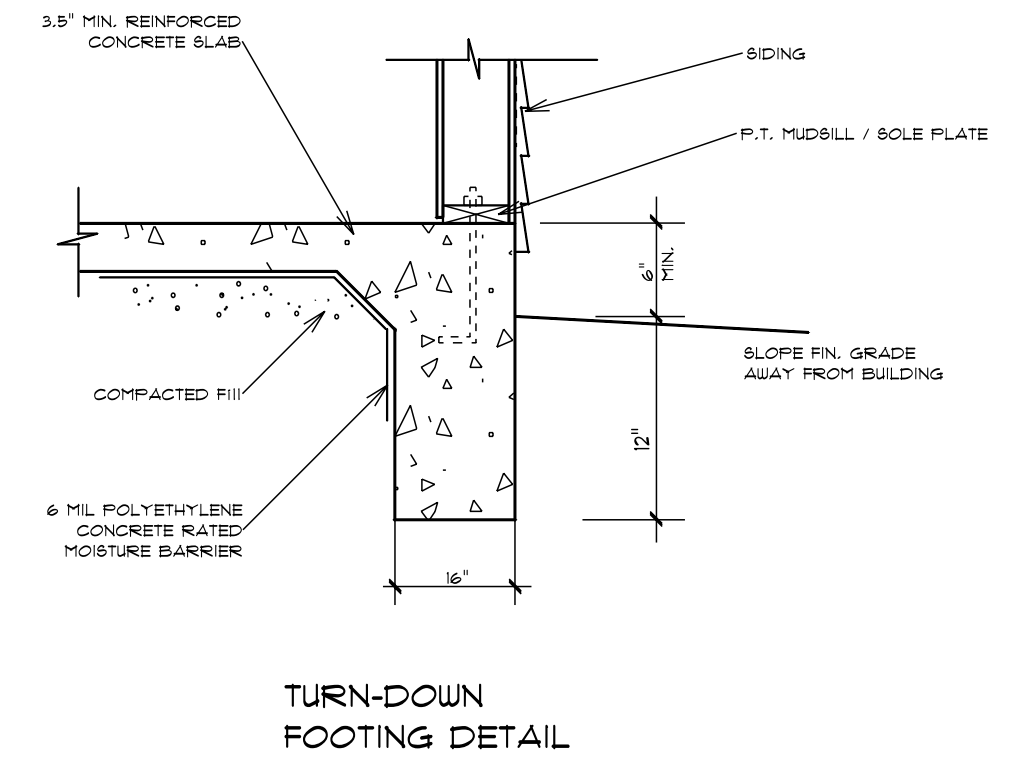
LUG FOOTING DETAIL

DATE: 8/24/2022	REVISION	DRAWING#
SCALE: 1/4"	DRAWN BY	APPROVED
Plan# 8		
 Welco Contractors Inc.		



Foundation Plan

Scale: 1/4" = 1'-0"



DATE: 8/24/2022
REVISED
DRAWING#

SCALE: 1/4"
DRAWN BY
APPROVED

Plan# 8

