

APPROVED: 09-30-2022
 REVISED: 12-01-2022

NOTE:
 CONTINUOUS RIDGE VENTS
 ALL ROOF RIDGES



BEVERLY COASTAL / CUSTOM
 FRONT ELEVATION
 9' CEILING HEIGHT

TOP OF MAIN FLOOR WALLS
 9'-11 1/2"
 BOTTOM OF WINDOW AND DOOR HEADERS
 6'-10 1/2"
 TOP OF FINISHED FLOOR
 9'-0"
 TOP OF FOUNDATION FINAL GRADE
 2'-0"
 TOP OF FOOTER




BEVERLY COASTAL / CUSTOM
 REAR ELEVATION
 9' CEILING HEIGHT

NOTICE TO CONTRACTOR
 All construction must comply with current NC Building Codes and is subject to field inspection and verification.

APPROVED
 Limited building only review
 Permit holder responsible for full compliance with the code

01/09/2023

DATE: 12/1/2022
 SCALE: 1/8" = 1'-0"
 DRAIN BY: SG
 SQUARE FOOTAGES (2149)
 CRAWL SPACE: 2149
 9' FT. 2149
 GARAGE: 473
 PORCHES: 156

CUSTOM BUILT FOR: MICHELLE FICKES
 JOB #: DUTCOO 022 0715 CN #: 34104
 LOCATION: 101 MM LANE CAMERON, NC 28326 COUNTY: HARNETT

Raleigh/Durham, NC
 182 West Hamlin Road
 Benson, NC 27504
 (877) 261-3482
 www.schumacherhomes.com

SCHUMACHER HOMES



CUSTOM BUILT FOR: MICHELLE FICKES
 JOB #: DUTCO 022 0715 CN # 34104
 LOCATION: 101 MAM LANE CAMERON, NC 28326 COUNTY: HARNETT

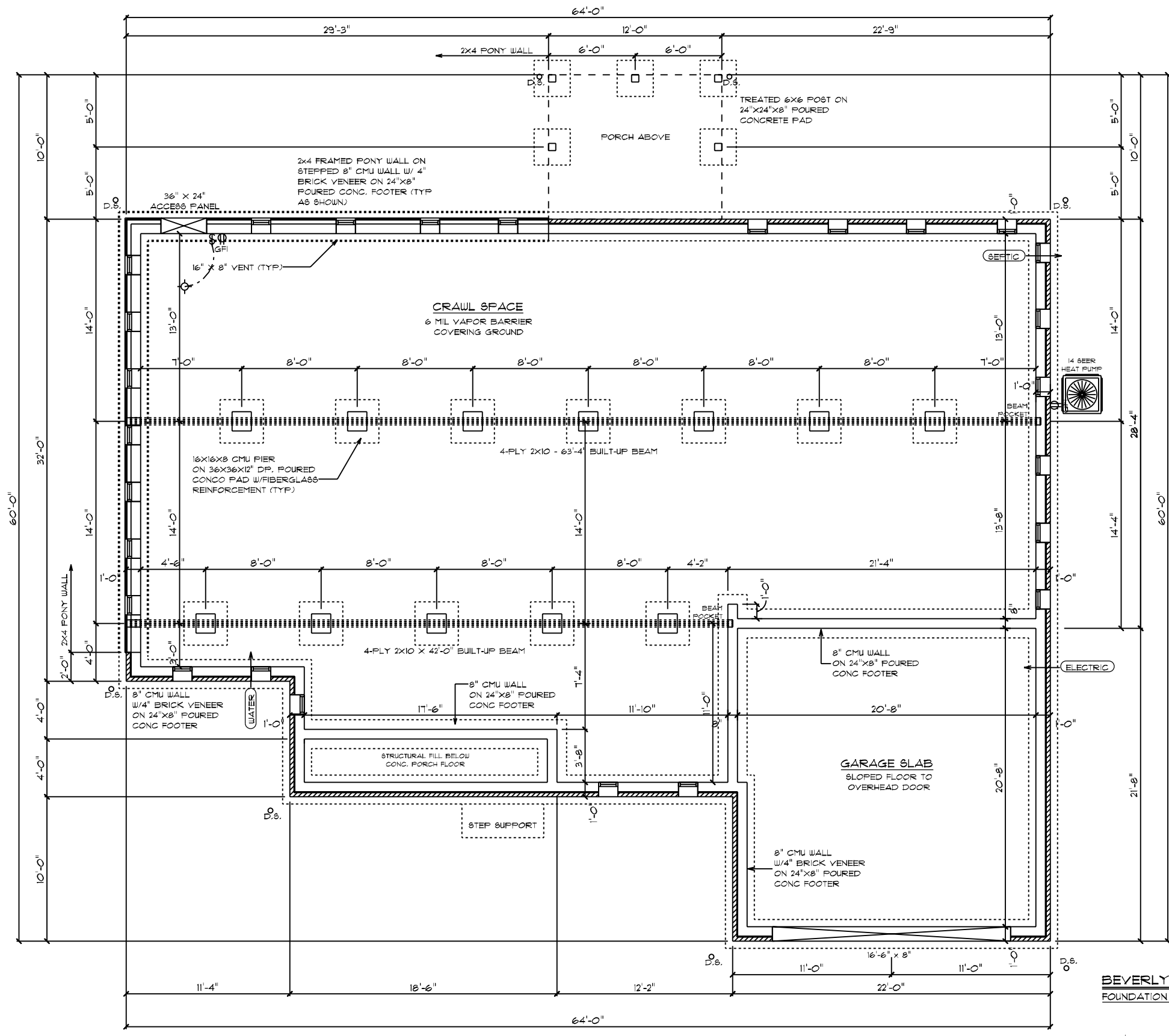
SQUARE FOOTAGES (2149)
 CRAWL SPACE: 2149
 9' FT. 2149
 GARAGE: 475
 PORCHES: 156

DRAWN BY: SG DATE: 12/1/2022 SCALE: 1/8" = 1'-0" DLG: 2

© 199-2022 SCHUMACHER HOMES OPERATIONS, INC. ALL RIGHTS RESERVED. THE INFORMATION CONTAINED HEREIN IS THE PROPERTY OF SCHUMACHER HOMES OPERATIONS, INC. AND IS TO BE USED ONLY FOR THE PROJECT AND SITE SPECIFICALLY IDENTIFIED HEREIN. THESE PLANS ARE NOT TO BE USED TO CREATE DERIVATIVE WORKS, TECHNICAL DRAWINGS OR TO BUILD A STRUCTURE, REPRODUCED, COPIED, OR MODIFIED, IN WHOLE OR PART, WITHOUT THE EXPRESS WRITTEN CONSENT OF SCHUMACHER HOMES, AND SUCH UNAUTHORIZED USE OR COPYING IS A VIOLATION OF UNITED STATES COPYRIGHT LAW AND THAT RESULT IN DAMAGES IN EXCESS OF \$50000 PER ACT OF INFRINGEMENT.

Raleigh/Durham, NC
 182 West Hamlin Road
 Benson, NC 27504
 (811) 261-3482
 www.schumacherhomes.com

Schumacher
 SCHUMACHER HOMES



FOUNDATION NOTES:

1. BRICK VENEER ALL EXPOSED FOUNDATION
2. BOTTOM OF PIER PADS ELEVATION SHALL BE 2" BELOW BOTTOM OF CONT. FOOTER ELEVATION.
3. CONCRETE & MASONRY FOUNDATION WALLS SHALL EXTEND ABOVE FINISHED GRADE ADJACENT TO THE FOUNDATION A MIN. OF 4" WHERE MASONRY VENEER IS USED AND 6" MIN. ELSEWHERE.
4. ALL BILLS, PLATES, OR BAND JOISTS THAT REST ON OR IN CONTACT WITH CONCRETE OR MASONRY EXTERIOR WALLS SHALL REQUIRE THE USE OF PRESSURE PRESERVATIVE TREATMENT.

PIERS:

1. THE UNSUPPORTED HEIGHT OF MASONRY PIERS SHALL NOT EXCEED 10 TIMES THEIR LEAST DIMENSION. WHEN HOLLOW CONCRETE MASONRY UNITS ARE USED FOR ISOLATED PIERS TO SUPPORT BEAMS AND GIRDERS, THE CELLULAR SPACES SHALL BE FILLED SOLIDLY WITH CONCRETE.

CRAWL SPACE VENT CALCULATIONS:

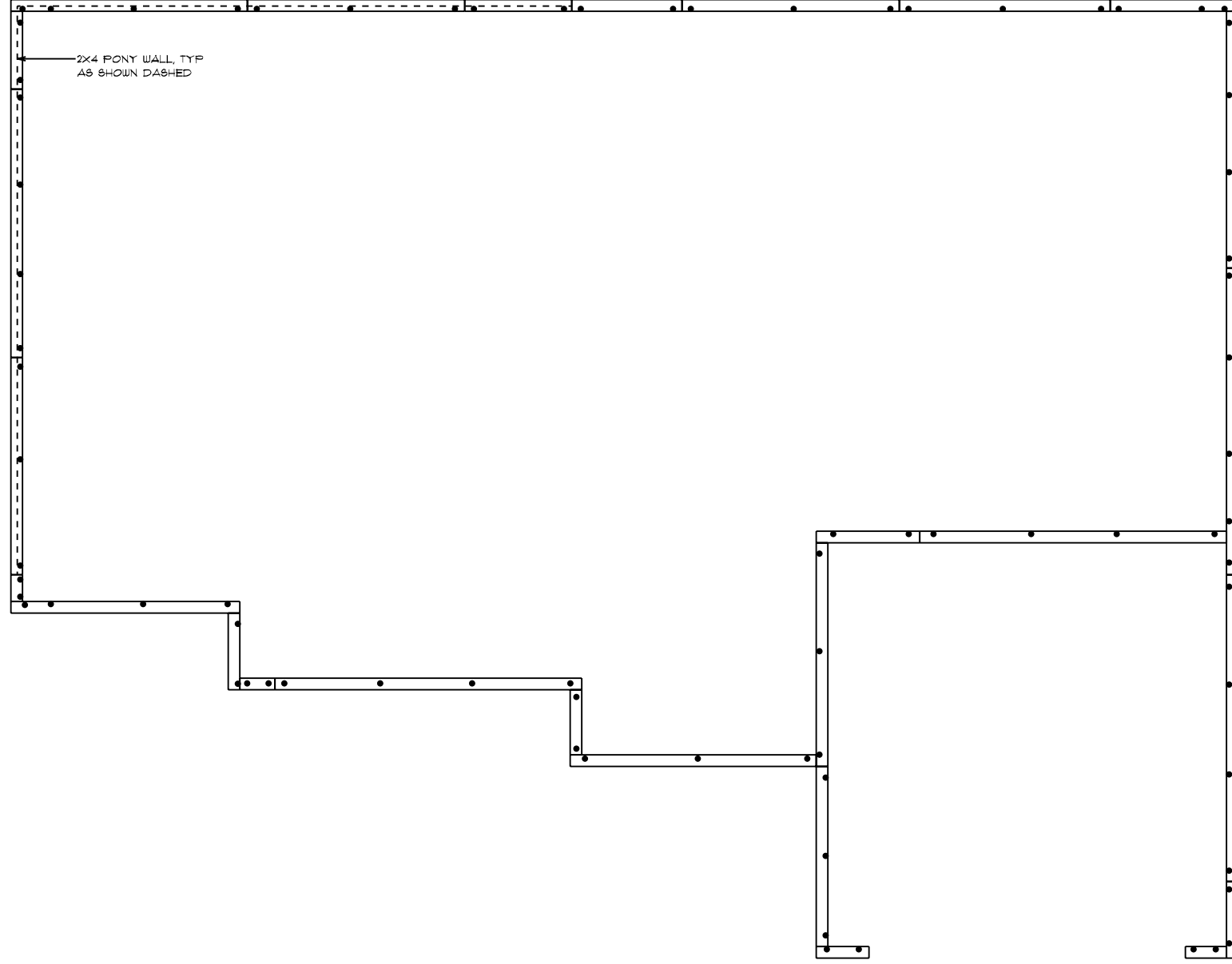
TOTAL CRAWL SPACE AREA: 2241
 8"x16" VENT = 128 SQ. IN. = .89 SQ. FT
 ASSUMED NET FREE AREA = .53 SQ. FT. PER VENT
 TOTAL SQ. FT. VENTILATION NEEDED:
 2241 / .53 = 4228
 4228 / .53 = 28 TOTAL VENTS.

GENERAL ELECTRICAL NOTES:

- * GFI'S REQUIRED IN CRAWL SPACE & ACCESS PANEL
- * LIGHTS TO BE WITHIN 6' OF ACCESS PANEL
- * AIR HANDLER/FURNACE LOCATED IN ATTIC
- * ELECTRICAL PANEL TO BE GROUNDED TO THE OUTSIDE

**BEVERLY COASTAL / CUSTOM
 FOUNDATION PLAN**


CUSTOM BUILT FOR: MICHELLE FICKES
 JOB #: DUTCOO 022 0715 CN #: 34104
 LOCATION: 101 HAM LANE CANTON, NC 28326 COUNTY: HARNETT
 SQUARE FOOTAGES (2149):
 CRAWL SPACE: 2149
 GARAGE: 473
 PORCHES: 156
 SCALE: 1/8" = 1'-0"
 DATE: 12/1/2022
 DRAIN BY: SG
 DRUG: 3
 © 199-2022 SCHUMACHER HOMES OPERATIONS, INC. ALL RIGHTS RESERVED. THE INFORMATION CONTAINED HEREIN IS THE PROPERTY OF SCHUMACHER HOMES OPERATIONS, INC. AND IS TO BE USED ONLY FOR THE PROJECT AND SITE SPECIFICALLY IDENTIFIED IN THESE PLANS. THESE PLANS ARE NOT TO BE USED TO CREATE DERIVATIVE WORKS, TECHNICAL DRAWINGS OR TO BUILD A STRUCTURE, REPRODUCED, COPIED, OR MODIFIED, IN WHOLE OR PART, WITHOUT THE EXPRESS WRITTEN CONSENT OF SCHUMACHER HOMES, AND SUCH UNAUTHORIZED USE OR COPYING IS A VIOLATION OF UNITED STATES COPYRIGHT LAW AND THAT RESULT IN DAMAGES IN EXCESS OF \$50000 PER ACT OF INFRINGEMENT.
 Raleigh/Durham, NC
 182 West Hamlin Road
 Benson, NC 27504
 (877) 261-3482
 www.schumacherhomes.com
 SCHUMACHER HOMES

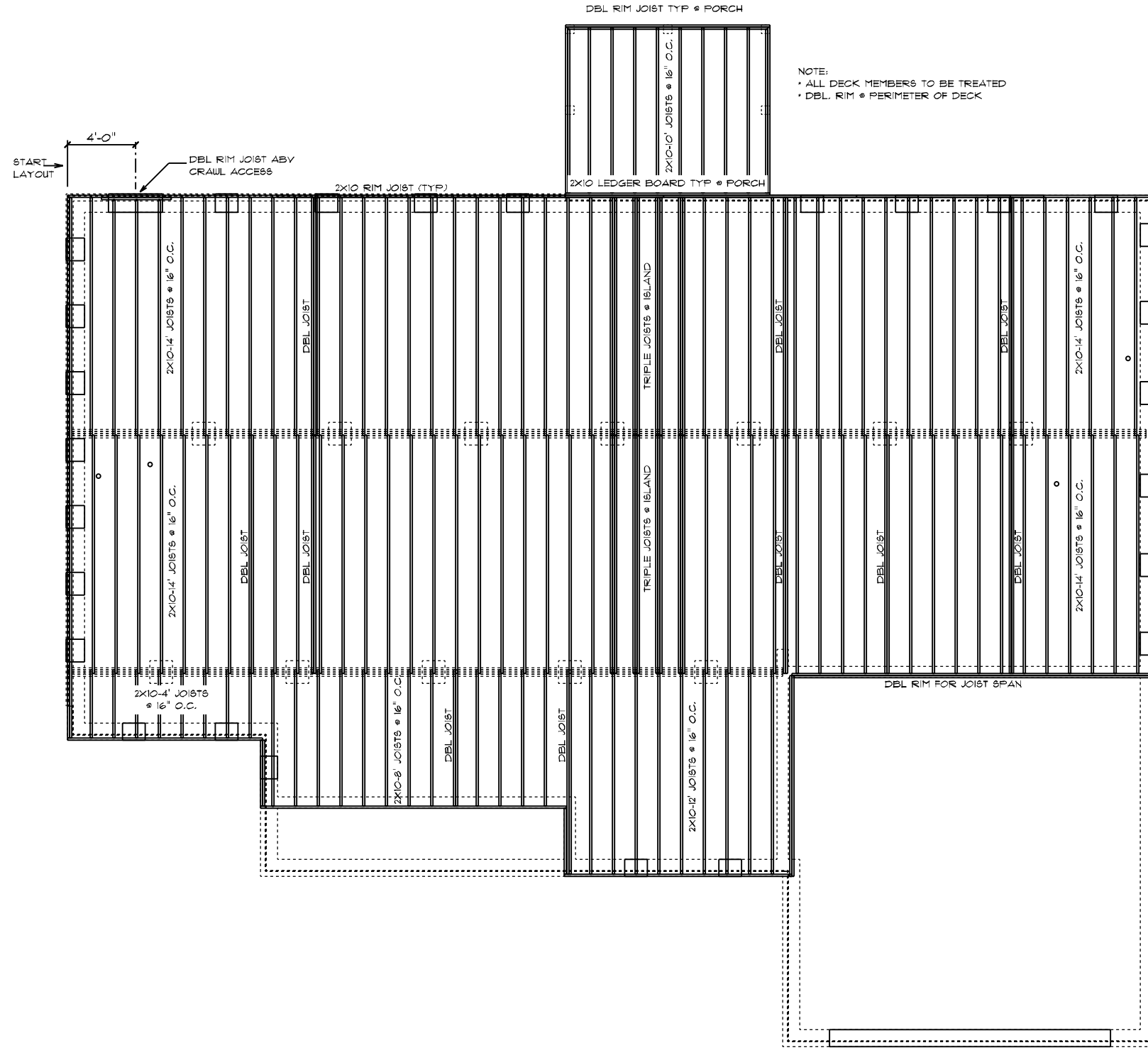


CONSTRUCTION NOTES:

1. 2x8 TREATED SILL PLATE
2. 1/2" DIAM. X 18" L. ANCHOR BOLTS SHALL EXTEND A MINIMUM OF 1" INTO MASONRY OR CONCRETE AS REQUIRED BY CODE @ 6' O.C. AND 12" FROM ALL CORNERS (2 PER CORNER)
3. ANCHOR BOLTS TO BE LOCATED IN CENTER 1/3 OF SILL PLATE

**BEVERLY COASTAL / CUSTOM
 BOLT & PLATE PLAN**

 SCHUMACHER HOMES	Raleigh/Durham, NC 182 West Hamlin Road Benson, NC 27504 (877) 261-3482 www.schumacherhomes.com		CUSTOM BUILT FOR: MICHELLE FICKES JOB #: DUTCO 022 0715 CN #: 34104	SQUARE FOOTAGES (2149) CRAWL SPACE: 2149 9' FT. 2149 GARAGE: 475 PORCHES: 156	DRAIN BY: S.G.	DATE: 12/1/2022	SCALE: 1/8" = 1'-0"	DWG: 4
	© 199-2022 SCHUMACHER HOMES OPERATIONS, INC. ALL RIGHTS RESERVED. THE INFORMATION CONTAINED HEREIN IS THE PROPERTY OF SCHUMACHER HOMES OPERATIONS, INC. AND ITS AFFILIATES ("SCHUMACHER HOMES"). THESE PLANS ARE NOT TO BE USED TO CREATE DERIVATIVE WORKS, TECHNICAL DRAWINGS OR TO BUILD A STRUCTURE, REPRODUCED, COPIED, OR MODIFIED, IN WHOLE OR PART, WITHOUT THE EXPRESS WRITTEN CONSENT OF SCHUMACHER HOMES, AND SUCH UNAUTHORIZED USE OR COPYING IS A VIOLATION OF UNITED STATES COPYRIGHT LAW AND THAT RESULT IN DAMAGES IN EXCESS OF \$50000 PER ACT OF INFRINGEMENT.							

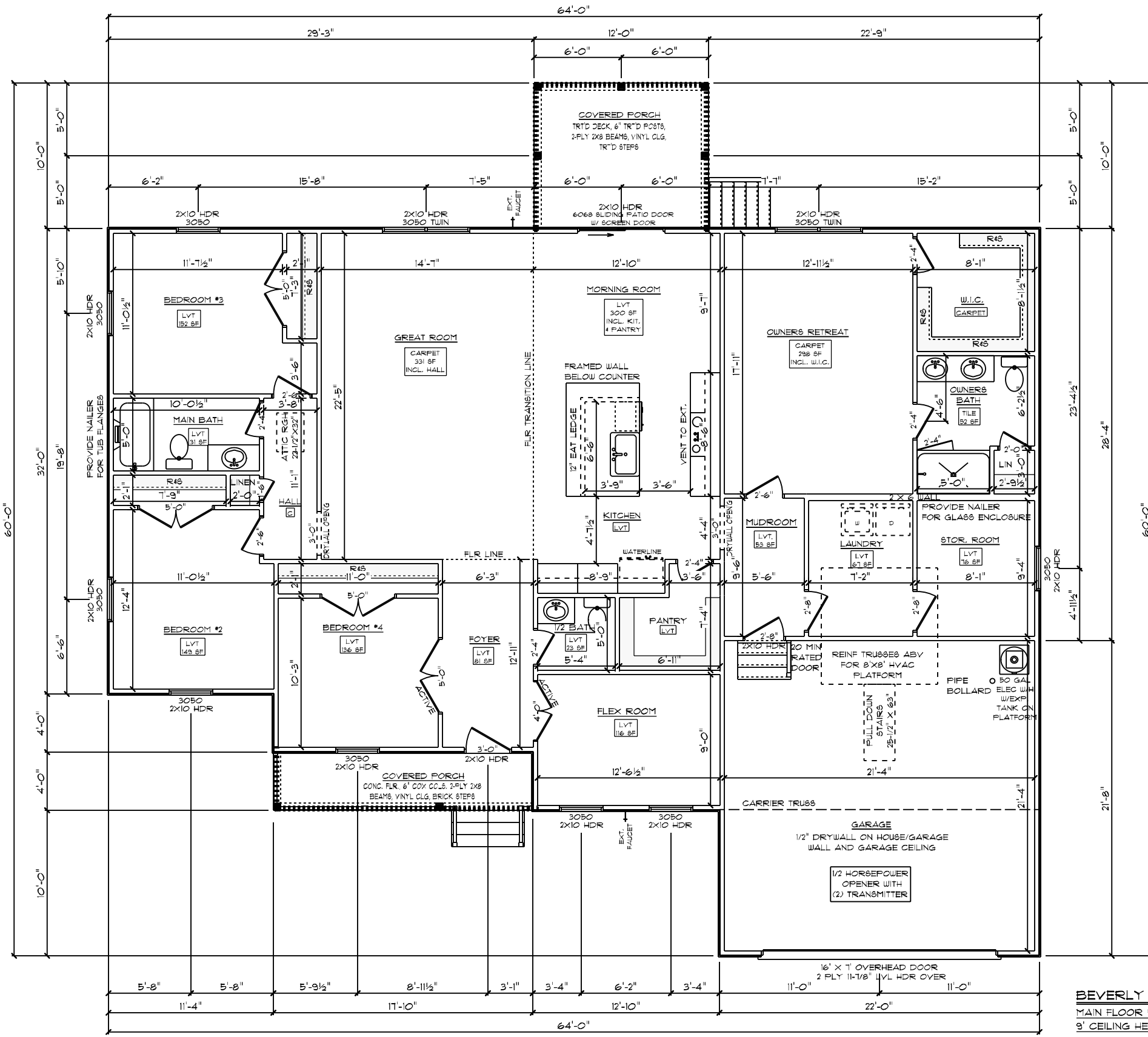


- FRAMING NOTES:
1. LEAVE 1/2" BETWEEN EACH END JOIST & RIM JOIST TO ALLOW FOR INSULATION.
 2. INSULATE ALL FRAMED CHANNELS & CORNERS; ALSO, BEHIND EACH TUB AND SHOWER UNIT
 3. INSTALL FIREBLOCK FRAMING IN ALL STAIRWAY CEILING
 4. INSTALL ALL TRUSSES, I-JOISTS, LVL'S AND BEAMS PER MANUFACTURER SPECIFICATIONS AND LAY OUTS. DO NOT CUT, NOTCH OR BORE WITHOUT EXACT SPECIFICATIONS.
 5. ALL FRAMING TO BE SOUTHERN YELLOW PINE NO. 2 OR GREATER UNLESS NOTED OTHERWISE
 6. DOUBLE JOISTS SHOULD BE LOCATED UNDER ALL PARTITIONS WHEN THE LENGTH OF THE PARTITION EXCEEDS 1/2 THE SPAN OF THE JOIST
 7. 3-PLY 2X10 JOISTS BELOW FIREPLACES & SOLID SURFACE ISLANDS
 8. ALL DECK MATERIAL TO BE TREATED
 9. PROVIDE DOUBLE 2X10 RIM JOIST WHEN RIM JOIST RUNS PARALLEL TO JOISTS
 10. PROVIDE 2X8 X PIER WIDTH TREATED BEARING PLATE * INTERIOR PIERS

BEVERLY COASTAL / CUSTOM
 MAIN FLOOR JOIST PLAN

<p>SCHUMACHER HOMES</p>	CUSTOM BUILT FOR: MICHIELLE FICKES JOB #: DUTCO 022 0715 CN #: 34104 LOCATION: 101 MM LANE CAMERON, NC 28326 COUNTY: HARNETT	SQUARE FOOTAGES (2149) CRAWL SPACE: 2149 9'1" FL: 2149 GARAGE: 473 PORCHES: 156	DRAWN BY: SG	DATE: 12/1/2022	SCALE: 1/8" = 1'-0"	DRUG:
	© 1992-2022 SCHUMACHER HOMES OPERATIONS, INC. ALL RIGHTS RESERVED. THE INFORMATION CONTAINED HEREIN IS THE PROPERTY OF SCHUMACHER HOMES OPERATIONS, INC. AND IS TO BE USED ONLY FOR THE PROJECT AND HOME IDENTIFIED HEREIN. THESE PLANS ARE NOT TO BE USED TO CREATE DERIVATIVE WORKS, TECHNICAL DRAWINGS OR TO BUILD A STRUCTURE, REPRODUCED, COPIED, OR MODIFIED, IN WHOLE OR PART, WITHOUT THE EXPRESS WRITTEN CONSENT OF SCHUMACHER HOMES, AND SUCH UNAUTHORIZED USE OR COPYING IS A VIOLATION OF UNITED STATES COPYRIGHT LAW AND THAT RESULT IN DAMAGES IN EXCESS OF \$50000 PER ACT OF INFRINGEMENT.					

Raleigh/Durham, NC
 182 West Hamlin Road
 Benson, NC 27504
 (877) 261-3482
 www.schumacherhomes.com



GENERAL FRAMING NOTES:

- DRYWALLED OPENINGS TO BE 6'-8" HEIGHT UNLESS OTHERWISE NOTED
- HEADERS TO BE 2-PLY 2X10 W/ (1) KING & (2) JACK STUDS UNLESS OTHERWISE NOTED

PLAN NOTES:

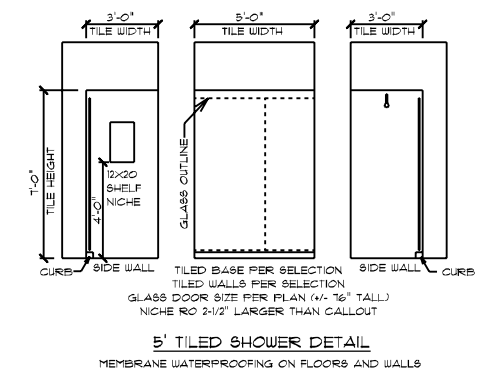
- SMOOTH CEILINGS THROUGHOUT HOME
- PAINTED TRIM
- 5-1/4" BASEBOARDS
- 3-1/4" CASING ON INTERIOR DOORS AND JAMB & CASE WINDOWS
- 6-PANEL HOLLOW CORE MOLDED INTERIOR DOORS
- SILVERLINE LOW-E VINYL WINDOWS W/ SOLAR GLAZING

FLOORING NOTES:

- ALL FLOORING BREAKS OCCUR @ CENTER LINE OF DOOR OPENINGS UNLESS OTHERWISE NOTED
- FLOORING SQUARE FOOTAGES INCLUDE CLOSETS RELATIVE TO THE AREA UNLESS OTHERWISE NOTED
- SOME FLOORING SQUARE FOOTAGES MAY INCLUDE HALLS OR AREAS THAT CONNECT WITHOUT WALL SEPARATION IF THE SAME FINISH IS CONTINUED

ADDITIONAL NOTES:

- PROVIDE AIR BARRIER/THERMO-PLY AT INSULATED VERTICAL WALLS BETWEEN HEATED & UNHEATED AREAS



BEVERLY COASTAL / CUSTOM
 MAIN FLOOR PLAN
 9' CEILING HEIGHT

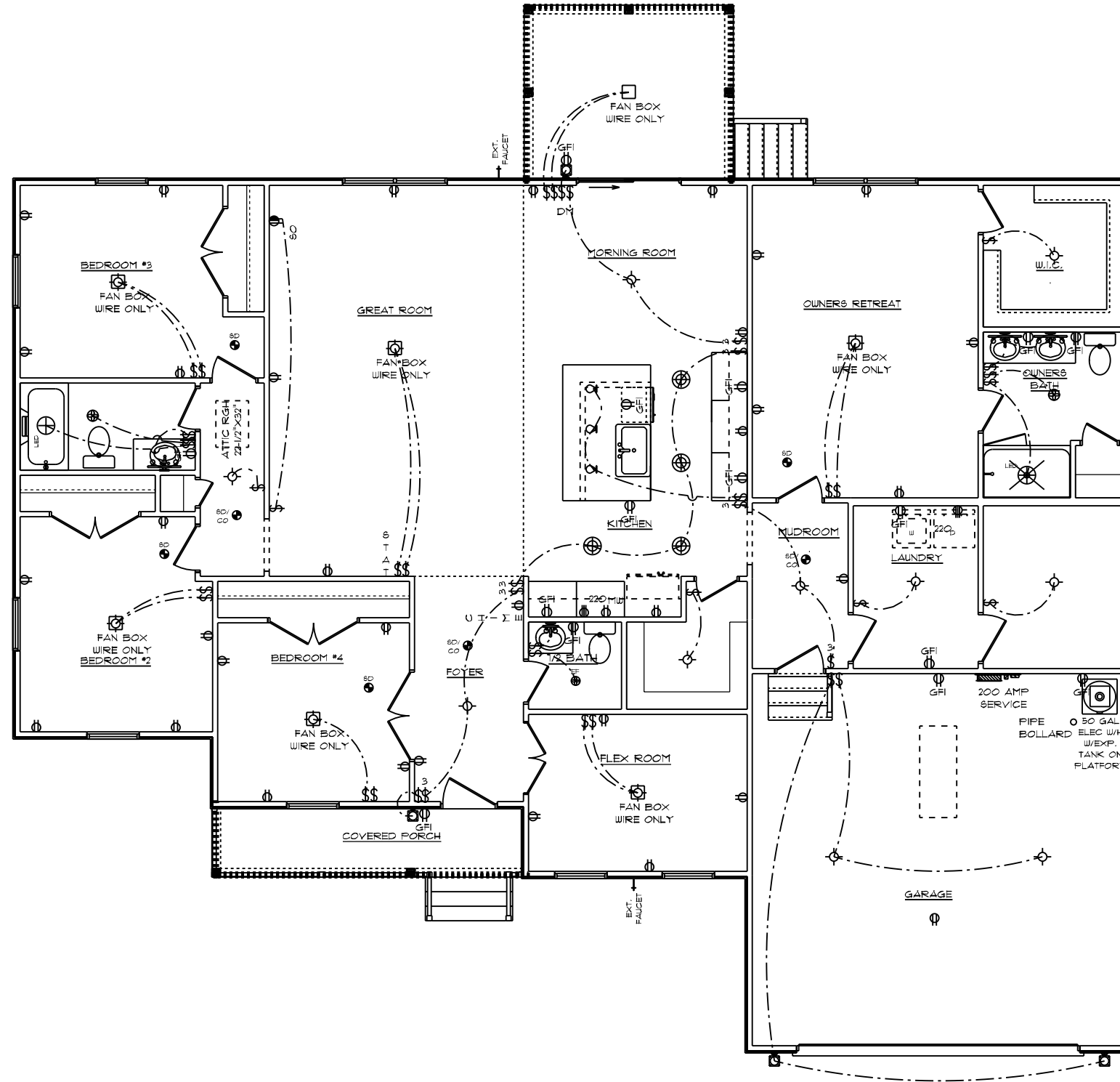
DRUG: 6
 DATE: 12/1/2022
 SCALE: 1/8" = 1'-0"
 DRAIN BY: 5G

SQUARE FOOTAGES (149)
 CRAWL SPACE: 2148
 9' TLI: 2145
 GARAGE: 473
 PORCHES: 156

CUSTOM BUILT FOR: MICHELLE FICKES
 JOB #: DUTCOO 022 0715 CN #: 34104
 LOCATION: 101 HAM LANE
 CANTON, NC 28326
 COUNTY: HARNETT

Raleigh/Durham, NC
 182 West Hamlin Road
 Benson, NC 27504
 (811) 261-3482
 www.schumacherhomes.com

SCHUMACHER HOMES



GENERAL ELECTRICAL NOTES:

- (1) EXISTING SWITCH UPGRADED TO A 3-WAY SWITCH, (1) ADDITIONAL 3-WAY SWITCH AND (1) COACH LIGHT WIRED TO A STANDARD SWITCH ARE INCLUDED WHEN A GARAGE SERVICE DOOR IS PURCHASED
- (1) COACH LIGHT, (1) SWITCH, AND (1) GFI OUTLET ARE INCLUDED WHEN ANY ADDITIONAL DOOR IS PURCHASED, EXCLUDING THE GARAGE SERVICE DOOR
- ALL SMOKE DETECTORS TO BE INTERCONNECTED WITH BATTERY BACKUP
- E3902.11 ARC-FAULT CIRCUIT-INTERRUPTER PROTECTION ALL BRANCH CIRCUITS THAT SUPPLY 120-VOLT, SINGLE-PHASE 15- AND 20-AMPERE OUTLETS INSTALLED IN FAMILY ROOMS, DINING ROOMS, LIVING ROOMS, PARLORS, LIBRARIES, DENS, BEDROOMS, SUNROOMS, RECREATION ROOMS, CLOSETS, HALLWAYS AND SIMILAR ROOMS OR AREAS SHALL BE PROTECTED BY A COMBINATION TYPE ARC-FAULT CIRCUIT INTERRUPTER INSTALLED TO PROVIDE PROTECTION OF THE BRANCH CIRCUIT.
- GARAGE DOOR LOW VOLTAGE WIRING BY ELECTRICIAN
- TWO SEPARATE KITCHEN GENERAL ELECTRIC OUTLET CIRCUITS FED BY NUMBER 12 WIRE AND ON 20 AMP BREAKERS REQUIRED IN KITCHEN
- ALL OUTLETS INSTALLED IN BATHROOMS, GARAGES, & UNFINISHED BASEMENTS SHALL HAVE GFCI PROTECTIONS ALONG WITH OUTLETS LOCATED WITHIN 6'-0" OF LAUNDRY, UTILITY & WET BAR SINKS & ALL OUTLETS SERVING KITCHEN COUNTERTOP SURFACES
- ALL OUTLETS TO BE PLACED PER CODE
- MOUNTING HEIGHTS
 - VANITY LIGHTS: 80" AFF
 - WALL SCONCES: 66" AFF
 - PENDANT LIGHTS: 66" AFF
 - CHANDELIERS (TO BTM OF FIXTURE)
 - FOYER & CEILING: 84"
 - FOYER OVER & CLG: 90"
 - DINING ROOM: 60"

ADDITIONAL ELECTRICAL NOTES:

- INSTALL ALL BATHROOM LIGHT FIXTURES WITH GLOBES FACING DOWN
- CABLE & PHONE TO BE LOCATED AT ELECTRICAL WALK-THRU

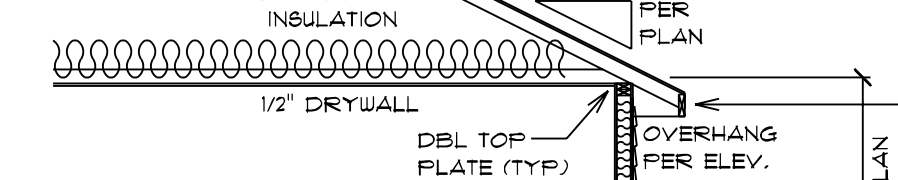
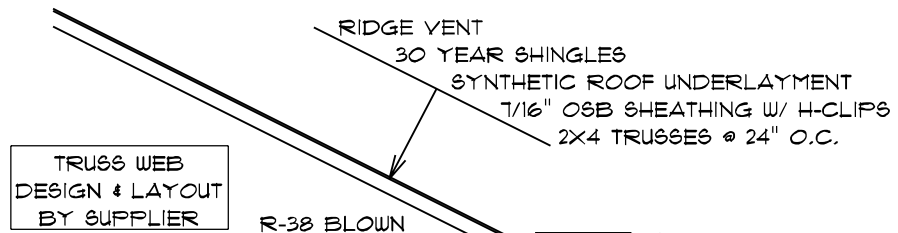
BEVERLY COASTAL / CUSTOM
 MAIN FLOOR PLAN
 9' CEILING HEIGHT
 ELECTRICAL PLAN

CUSTOM BUILT FOR: MICHELLE FICKES JOB #: DUTCOO 022 0715 LOCATION: 101 HAM LANE CARY, NC 27513 COUNTY: HARNETT	SQUARE FOOTAGES (G149): CRAWL SPACE: 2145 9' FT. FL: 2145 GARAGE: 475 PORCHES: 156	DRAIN BY: SG	DATE: 12/1/2022	SCALE: 1/8" = 1'-0"	DWG: T
	© 1992-2022 SCHUMACHER HOMES OPERATIONS, INC. ALL RIGHTS RESERVED. THE INFORMATION CONTAINED HEREIN IS THE PROPERTY OF SCHUMACHER HOMES OPERATIONS, INC. AND IS TO BE USED ONLY FOR THE PROJECT AND HOME IDENTIFIED HEREIN. THESE PLANS ARE NOT TO BE USED TO CREATE DERIVATIVE WORKS, TECHNICAL DRAWINGS OR TO BUILD A STRUCTURE, REPRODUCED, COPIED, OR MODIFIED, IN WHOLE OR PART, WITHOUT THE EXPRESS WRITTEN CONSENT OF SCHUMACHER HOMES, AND SUCH UNAUTHORIZED USE OR COPYING IS A VIOLATION OF UNITED STATES COPYRIGHT LAW AND THAT RESULT IN DAMAGES IN EXCESS OF \$50000 PER ACT OF INFRINGEMENT.				

Raleigh/Durham, NC
 182 West Hamlin Road
 Benson, NC 27504
 (877) 261-3482
 www.schumacherhomes.com



NOTE:
 ROOF UNDERLAYMENT TO BE OVERLAPPED
 50% PLUS 1" ON ROOFS LESS THAN 4/12 PITCH



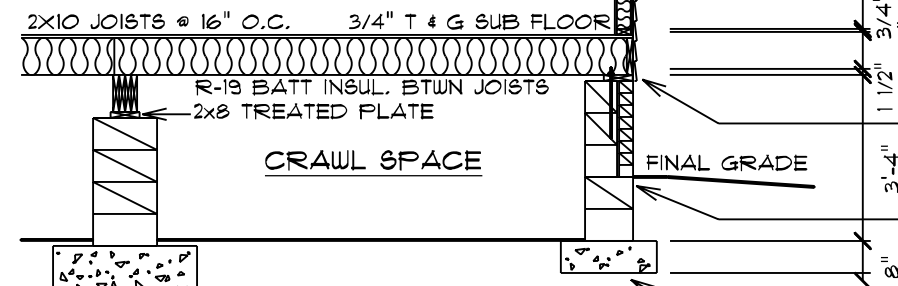
2X6 SUB FASCIA
 ALUMINUM FASCIA,
 VINYL SOFFIT,
 AND EAVESTROUGH.
 (VENTED SOFFITS)
 TRUSS ANCHORS

HORIZONTAL SIDING
 HOUSE WRAP, CAULK,
 SEAL, & FIRESTOP
 7/16" OSB SHEATHING
 2"X4" STUDS @ 16" O.C.
 R-15 BATT INSULATION
 1/2" DRYWALL

2" X 8" SILL PLATE
 1/2" X 18" ANCHOR BOLTS
 @ 6" O.C. 12" FROM ALL
 CORNERS (2 PER CORNER)

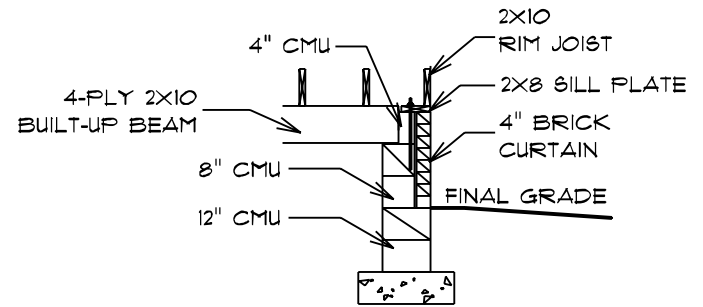
4" BRICK VENEER, 8" CMU
 ASPHALT DAMP PROOFING

CONT. 24" X 8" Poured CONC FTR
 W/FIBERGLASS REINFORCEMENT



16x16x8 CMU PIER
 ON 36"x 36"x 12" DP. Poured CONC.
 PAD W/ FIBERGLASS REINFORCEMENT
 (TYPICAL EA. PIER)

TYPICAL WALL SECTION



BEAM POCKET DETAIL

DATE: 12/1/2022
 DRAWN BY: SG
 SCALE: 1/4" = 1'-0"
 8

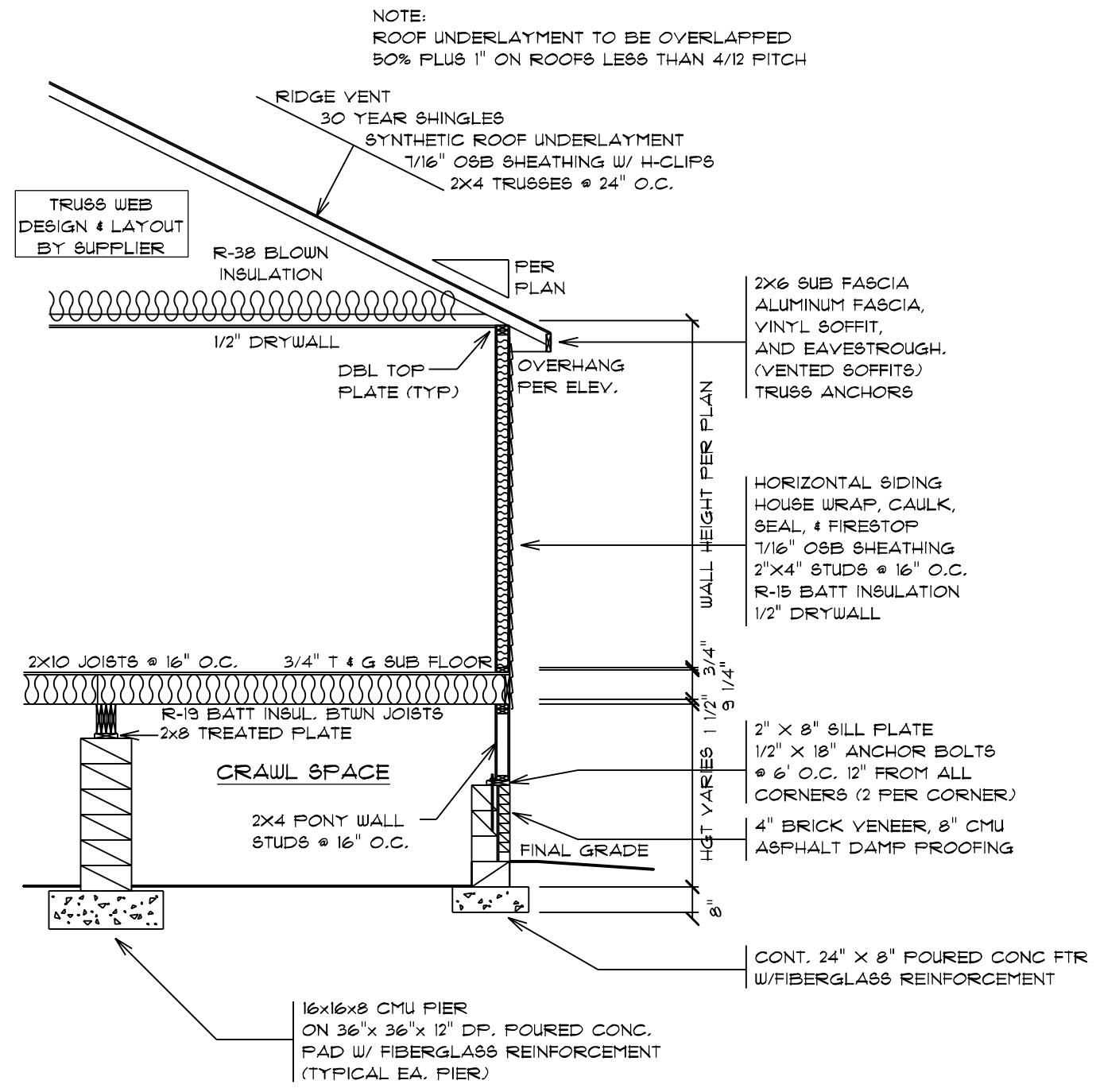
SQUARE FOOTAGES (2149)
 CRAWL SPACE: 2149
 9'1" TL: 2149
 GARAGE: 479
 PORCHES: 196

CUSTOM BUILT FOR:
 MICHELLE FICKES
 JOB #: DUTCO 022 0715
 CN #: 34104
 VN #: F1370
 LOCATION:
 101 HAM LANE
 CANTON, NC 28326
 COUNTY: HARNETT


Raleigh/Durham, NC
 182 West Hamlin Road
 Benson, NC 27504
 (811) 261-3482
 www.schumacherhomes.com



SCHUMACHER HOMES



TYPICAL PONY WALL SECTION


SCHUMACHER HOMES
 Raleigh/Durham, NC
 182 West Hamlin Road
 Benson, NC 27504
 (811) 261-3482
 www.schumacherhomes.com

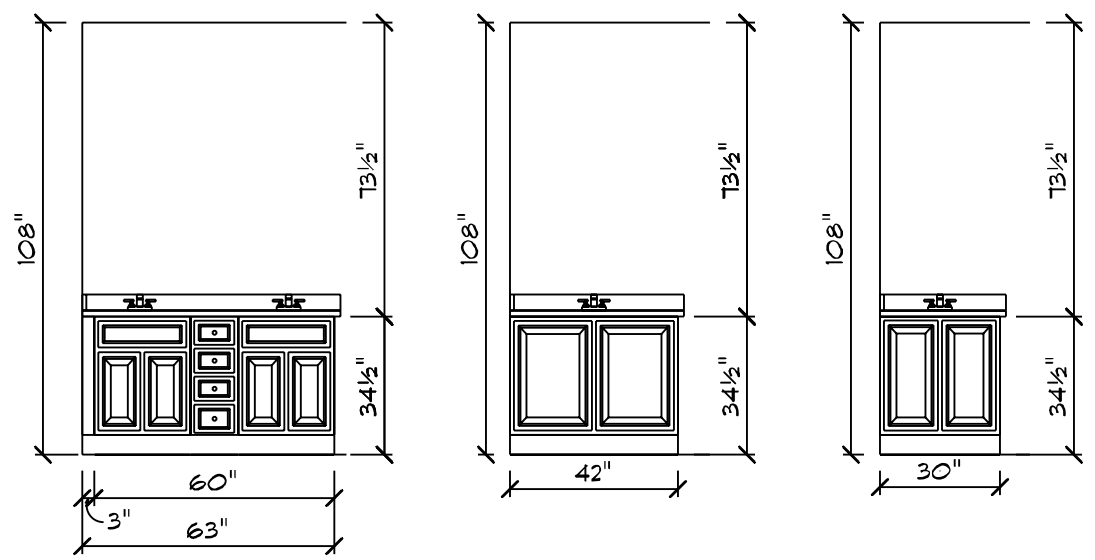
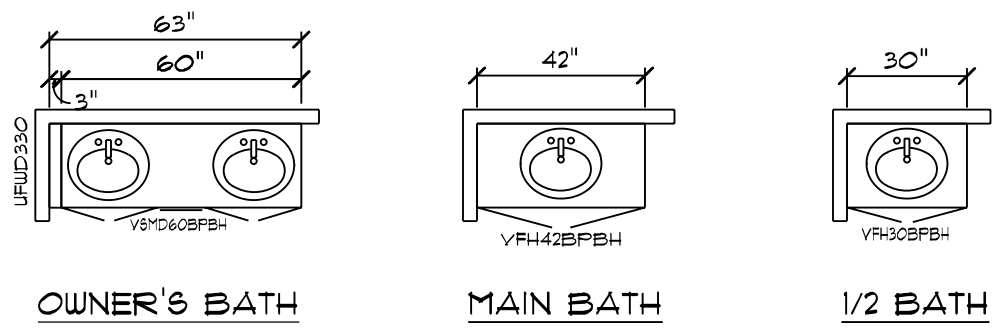
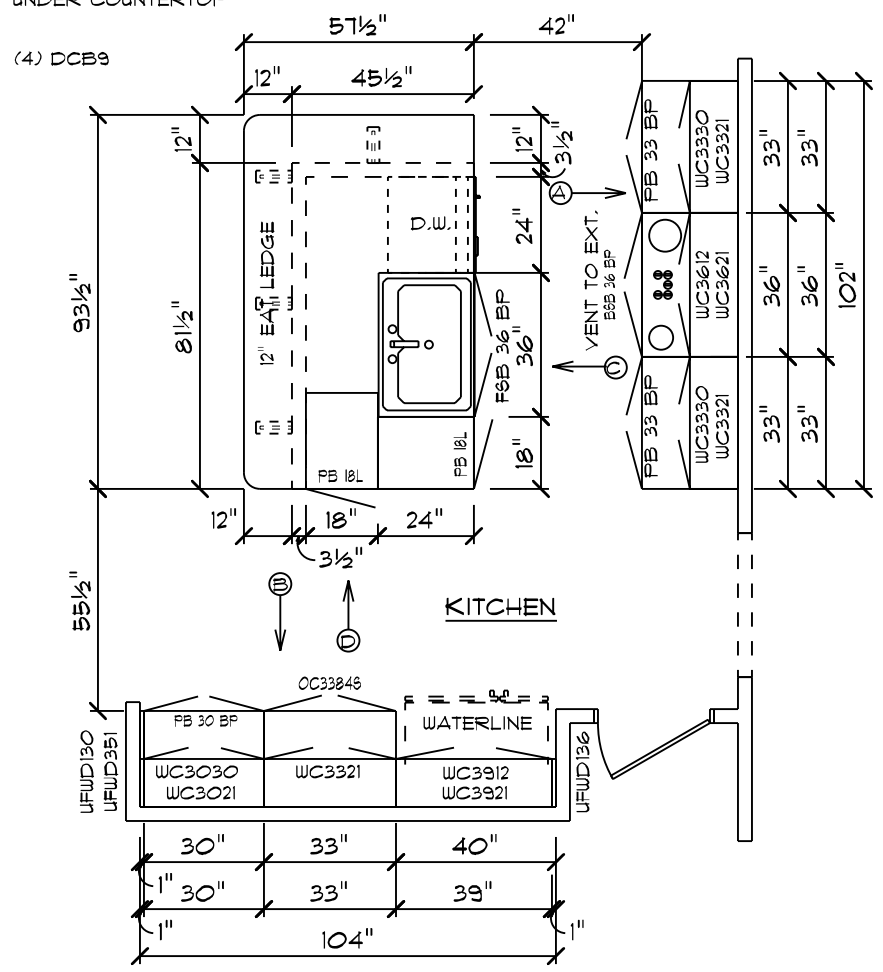
CUSTOM BUILT FOR: MICHELLE FICKES
 JOB #: DUTCO 022 0715 CN #: 34104
 LOCATION: 101 MAM LANE CANTON, NC 28326 COUNTY: HARNETT

SQUARE FOOTAGES (2149)
 CRAWL SPACE: 2149
 97 FL: 2149
 GARAGE: 479
 PORCHES: 156

DRAWN BY: SG
 DATE: 12/1/2022
 SCALE: 1/4" = 1'-0"
 DWG: 9

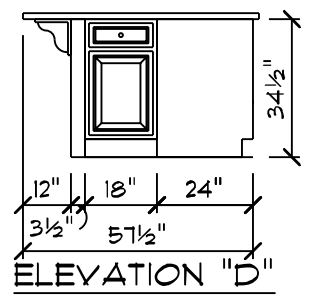
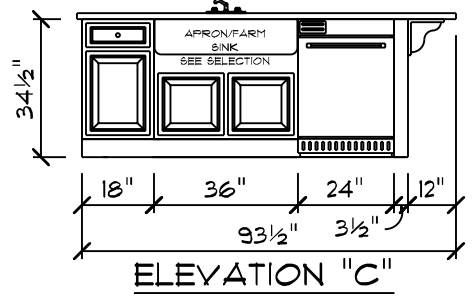
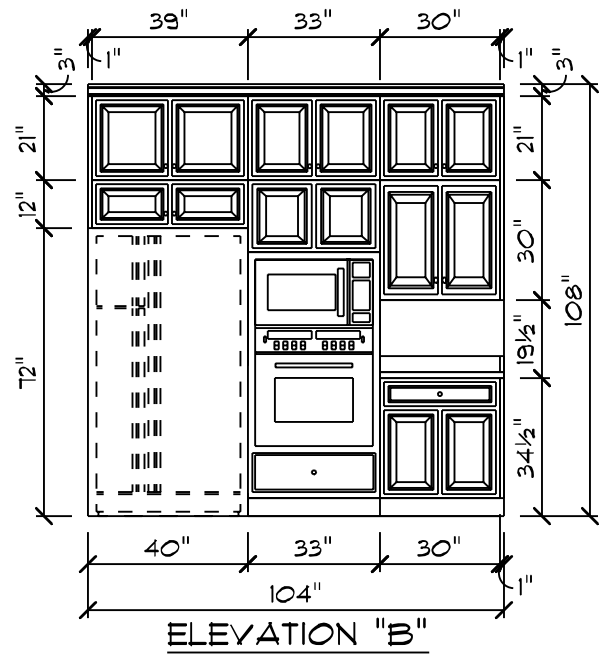
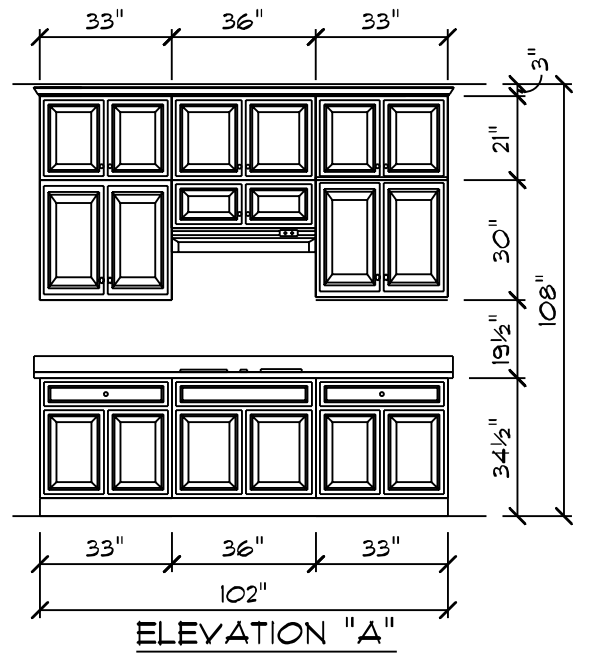
© 1997-2022 SCHUMACHER HOMES OPERATIONS, INC. ALL RIGHTS RESERVED. THE INFORMATION CONTAINED HEREIN IS THE PROPERTY OF SCHUMACHER HOMES OPERATIONS, INC. AND IS UNLAWFUL TO REPRODUCE, COPY, OR TRANSMIT IN ANY FORM OR BY ANY MEANS, WITHOUT THE EXPRESS WRITTEN CONSENT OF SCHUMACHER HOMES, AND SUCH UNAUTHORIZED USE OR COPYING IS A VIOLATION OF UNITED STATES COPYRIGHT LAW AND THAT RESULT IN DAMAGES IN EXCESS OF \$50000 PER ACT OF INFRINGEMENT.

34-1/2" STUD WALL
 W/ DRYWALL FINISH
 UNDER COUNTERTOP



**BEVERLY COASTAL / CUSTOM
 CABINET PLAN**

NOTE: CABINET DRAWING DIMENSIONS
 ACCOUNT FOR 1/2" OF DRYWALL



- CABINET NOTES:**
- KITCHEN**
- MARSH CABINETS W/ FULL OVERLAY
 - 2-1/4" KITCHEN CABINET CROWN MOLDING
 - COUNTERTOPS PER SELECTION
 - 36" WHITEHAVEN FARM SINK
 - HARDWARE PER SELECTION
- OWNER'S BATH**
- MARSH CABINETS W/ FULL OVERLAY
 - COUNTERTOPS PER SELECTION
 - HARDWARE PER SELECTION
- MAIN BATH, HALF BATH**
- MARSH CABINETS W/ TRADITIONAL OVERLAY
 - COUNTERTOPS PER SELECTION
 - HARDWARE PER SELECTION

CUSTOM BUILT FOR: MICHELLE FICKES
 JOB #: DUTCO 022 0715 CN #: 34104
 LOCATION: 101 MM LANE CARY, NC 27513
 COUNTY: HARNETT

SQUARE FOOTAGES (2149)
 CRAWL SPACE: 2149
 9' FT. 2145
 GARAGE: 475
 PORCHES: 156

DATE: 12/1/2022
 SCALE: 1/4" = 1'-0"
 DRAWN BY: SG
 DESIG: 10

Raleigh/Durham, NC
 182 West Hamlin Road
 Benson, NC 27504
 (811) 261-3482
 www.schumacherhomes.com

SCHUMACHER HOMES

Silverline V1 Series Single Hung Windows																				
R.O	36 1/2	38 1/2	40 1/2	42 1/2	44 1/2	46 1/2	48 1/2	50 1/2	52 1/2	54 1/2	56 1/2	60 1/2	62 1/2	64 1/2	66 1/2	72 1/2	74 1/2	78 1/2	80 1/2	84 1/2
18 1/2	1630	1632			1638	16310	1640	1642	1644	1646	1648	1650	1652	1654	1656	1660	1662	1666		1670
20 1/2	1830	1832			1838	18310	1840	1842	1844	1846	1848	1850	1852	1854	1856	1860	1862	1866		1870
24 1/2	2030	2032	2034	2036	2038	20310	2040	2042	2044	2046	2048	2050	2052	2054	2056	2060	2062	2066		2070
28 1/2	2430	2432			2438	24310	2440	2442	2444	2446	2448	2450	2452	2454	2456	2460	2462	2466		2470
30 1/2	2630	2632	2634	2636	2638	26310	2640	2642	2644	2646	2648	2650	2652	2654	2656	2660	2662	2666		2670
32 1/2	2830	2832	2834	2836	2838	28310	2840	2842	2844	2846	2848	2850	2852	2854	2856	2860	2862	2866		2870
36 1/2	3030	3032	3034	3036	3038	30310	3040	3042	3044	3046	3048	3050	3052	3054	3056	3060	3062	3066	3068	3070
38 1/2	3230	3232			3238	32310	3240	3242	3244	3246	3248	3250	3252	3254	3256	3260	3262	3266		3270
40 1/2	3430	3432			3438	34310	3440	3442	3444	3446	3448	3450	3452	3454	3456	3460	3462	3466		3470
42 1/2	3630	3632			3638	36310	3640	3642	3644	3646		3650	3652	3654	3656	3660	3662			3670
44 1/2	3830	3832			3838	38310	3840	3842	3844	3846	3848	3850	3852	3854	3856	3860	3862	3866		3870
48 1/2	4030	4032			4038	40310	4040	4042	4044	4046	4048	4050	4052	4054	4056	4060	4062	4066		4070

BOLD TYPE MEETS EGRESS

UNDERLINED CALLOUTS MEET EGRESS WITH CLEAR OPENING HARDWARE						
Silverline V3 Series Casement Windows						
R.O	18	21	24 5/8	28 7/8	34	36 7/16
24 5/8	C1-1520	C1-1820	C1-2020	C1-2420		
28 7/8	C1-1524	C1-1824	C1-2024	C1-2424	C1-2924	
36 7/16	C1-15211	C1-18211	C1-20211	C1-24211	C1-29211	C1-211211
41 5/16	C1-1534	C1-1834	C1-2034	C1-2434	<u>C1-2934</u>	C1-21134
48 1/2	C1-1540	C1-1840	C1-2040	<u>C1-2440</u>	<u>C1-2940</u>	C1-21140
53 5/16	C1-1544	C1-1844	C1-2044	<u>C1-2444</u>	<u>C1-2944</u>	C1-21144
60 3/8	C1-15411	C1-18411	C1-20411	<u>C1-24411</u>	<u>C1-29411</u>	C1-211411
65 5/16	C1-1554	C1-1854	C1-2054	<u>C1-2454</u>	<u>C1-2954</u>	C1-21154
72 3/8	C1-15511	C1-18511	C1-20511	<u>C1-24511</u>	<u>C1-29511</u>	C1-211511

Silverline V3 Series Awning Windows						
R.O	25 5/8	28 7/8	32	36 7/16	41 1/4	48 1/2
17 1/2	AW1-2015	AW1-2415	AW1-2715	AW1-21115	AW1-3415	AW1-4015
21	AW1-2018	AW1-2418	AW1-2718	AW1-21118	AW1-3418	AW1-4018
24 5/8	AW1-2020	AW1-2420	AW1-2720	AW1-21120	AW1-3420	AW1-4020
28 7/8	AW1-2024	AW1-2424	AW1-2724	AW1-21124	AW1-3424	AW1-4024
32		AW1-2427	AW1-2727	AW1-21127	AW1-3427	AW1-4027
36 4/9			AW1-27211	AW1-211211	AW1-34211	AW1-40211

Silverline Sliding Door	
6068	72-1/4" x 80-1/2"

Masonite Patio Door Units	
Unit	Rough Opening
3068	38 1/2" x 82 1/2"
3080	38 1/2" x 98 1/2"
6068	75 5/8" x 82 1/2"
6080	75 5/8" x 98 1/2"
9068	112 5/8" x 82 1/2"
9080	112 5/8" x 98 1/2"

Exterior Door with Sidelites	
3'-0" w(1) 14" S.L.	54 5/8" X 82 1/2"
3'-0" w(2) 14" S.L.	69 5/8" X 82 1/2"

Andersen 200 Narrowline Gliding Patio Door	
Unit	Rough Opening
NLGD6068	72" x 80"
NLGD12068-4	141 3/4" x 80"
NLGD6080	72" x 96"
NLGD12080-4	141 3/4" x 96"

Andersen 100 Patio Door	
Unit	Rough Opening
6068	72" x 80"
6080	72" x 96"

Silverline V3 Series Twin Casement Windows					
R.O	41 1/4	48 1/2	57	63 1/4	72 1/8
24 5/8	C2-3420	C2-4020	C2-4820		
28 7/8	C2-3424	C2-4024	C2-4824		
36 7/16	C2-34211	C2-40211	C2-48211	C2-52211	C2-511211
41 5/16	C2-3434	C2-4034	C2-4834	<u>C2-5234</u>	C2-51134
48 1/2	C2-3440	C2-4040	<u>C2-4840</u>	<u>C2-5240</u>	C2-51140
53 5/16	C2-3444	C2-4044	<u>C2-4844</u>	<u>C2-5244</u>	C2-51144
60 3/8	C2-34411	C2-40411	<u>C2-48411</u>	<u>C2-52411</u>	C2-511411
65 5/16	C2-3454	C2-4054	<u>C2-4854</u>		
72 3/8	C2-34511	C2-40511	<u>C2-48511</u>		

Silverline V3 Series Twin Awning Windows			
R.O	57	63 1/4	72 1/8
17 1/2	AW2-4815	AW2-5215	AW2-51115
21	AW2-4818	AW2-5218	AW2-51118
24 5/8	AW2-4820	AW2-5220	AW2-51120
28 7/8	AW2-4824	AW2-5224	AW2-51124
32		AW2-5227	AW2-51127
36 7/16			AW2-511211

Fireplace Framing	
36" WOOD BURNING EL36 W: 42" H: 40-1/4" D: 21-1/2"	
42" WOOD BURNING EL42 W: 48" H: 40-1/4" D: 21-1/2"	
36" DIRECT VENT NDV4236i W: 42" H: 35-1/4" D: 24"	
42" DIRECT VENT NDV4842i W: 49" H: 35-1/4" D: 24"	
36" MODERN GAS DV NEVO4236i W: 42" H: 40-1/4" D: 20-1/4"	
42" RAVE DIRECT VENT RAVE42-IFT-B W: 50" H: 33-1/4" D: 18-1/4"	
60" CRAVE DIRECT VENT CRAVE7260-B W: 72-1/4" H: 48-1/2" D: 18-3/4"	
HOLD FIREPLACE UP 2" TO ALLOW FOR STONE HEARTH IF APP.	
A PLYWOOD FLOOR IS REQUIRED ON ALL WOODBURNERS AT LEAST 6' HIGH TO BE INSTALLED BY FRAMERS	
2X6 WRAP AT TOP OF CHASE	

Silverline V3 Triple Csmnt Windows			
R.O	61 1/2	72 3/8	85 1/8
24 5/8	C3-5120	C3-51120	C3-7020
28 7/8	C3-5124	C3-51124	C3-7024
36 7/16	C3-51211	C3-511211	C3-70211
41 5/16	C3-5134	C3-51134	C3-7034
48 1/2	C3-5140	C3-51140	<u>C3-7040</u>
53 5/16	C3-5144	C3-51144	<u>C3-7044</u>
60 3/8	C3-51411	C3-511411	<u>C3-70411</u>

Silverline Oval Windows		
	Width	Height
OVL-2030	24 1/2	36 1/2
OVL-2434	28 1/2	40 1/2
OVL-2838	32 1/2	44 1/2
OVL-3040	36 1/2	48 1/2
OVL-3050	36 1/2	60 1/2


- Window Notes**
- TO CALCULATE THE R.O. FOR A WINDOW WITH A TRANSOM, ADD BOTH UNIT DIMENSIONS TOGETHER AND ADD 1/2".
 - TO CALCULATE THE R.O. FOR MULTIPLE UNITS, ADD BOTH ACTUAL UNIT DIM TOGETHER AND ADD 1/2" PER MULL
 - FOR R.O.'S NOT LISTED, ADD 1/2" TO THE ACTUAL UNIT DIM FOR BOTH THE WIDTH AND HEIGHT

- Additional Important Information**
- THERE IS NO ALLOWANCE IN ANY OF THE HEIGHT DIMENSIONS FOR CARPET SHIM. (PLEASE ADD ACCORDINGLY)
 - BRICK OPENINGS ARE 2-1/2" WIDER AND 1-1/4" HIGHER THAN ACTUAL UNIT SIZE.
 - FOR 7' DOORS ADD 4" TO THE ACTUAL UNIT SIZE AND ROUGH OPENING HEIGHT DIMENSIONS.
 - DO NOT STORE PRE-HUNG UNITS OUTSIDE.

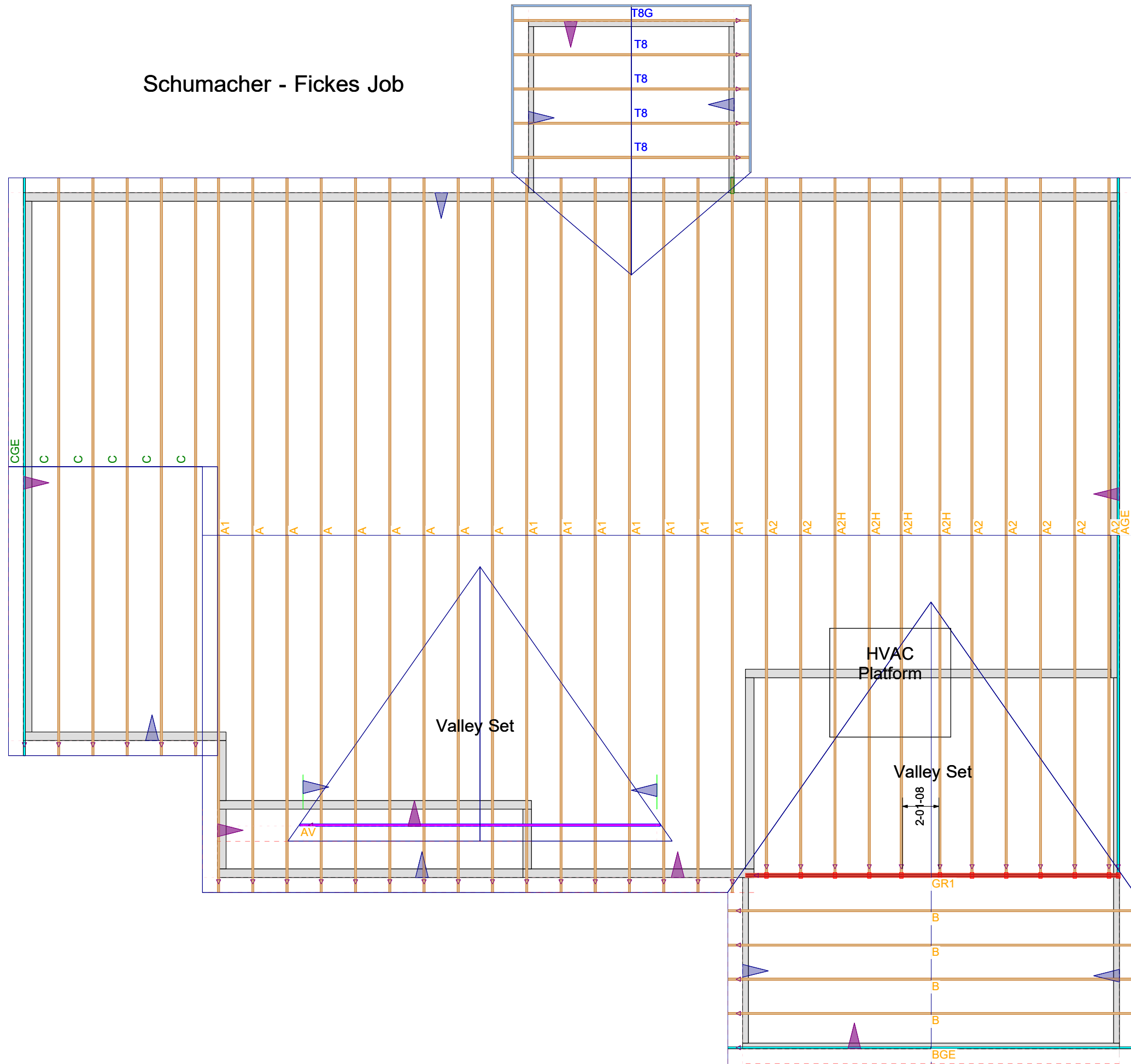
Lintel Schedule				1/2" or Equiv
Size of Steel Angle	No story Above	One story above	Two Stories Above	Reinforcing Bars
3 x 3 x 1/4	6'-0"	4'-6"	3'-0"	1
4 x 3 x 1/4	8'-0"	6'-0"	4'-6"	1
5 x 3-1/2 x 5/16	10'-0"	8'-0"	6'-0"	2
6 x 3-1/2 x 5/16	14'-0"	9'-6"	7'-0"	2
(2) 6 x 3-1/2 x 5/16	20'-0"	12'-0"	9'-6"	4

Miscellaneous Framing

FRAME SOFFITS THE SAME HEIGHT AS DRYWALL OPENINGS. LEAVE 14-1/2" BETWEEN EACH END JOIST & RIM JOIST TO ALLOW FOR INSULATION. INSULATE ALL FRAMED CHANNELS & CORNERS AND BEHIND SHOWER & TUB UNITS. INSTALL FIREBLOCK FRAMING IN ALL STAIRWAY CEILINGS.

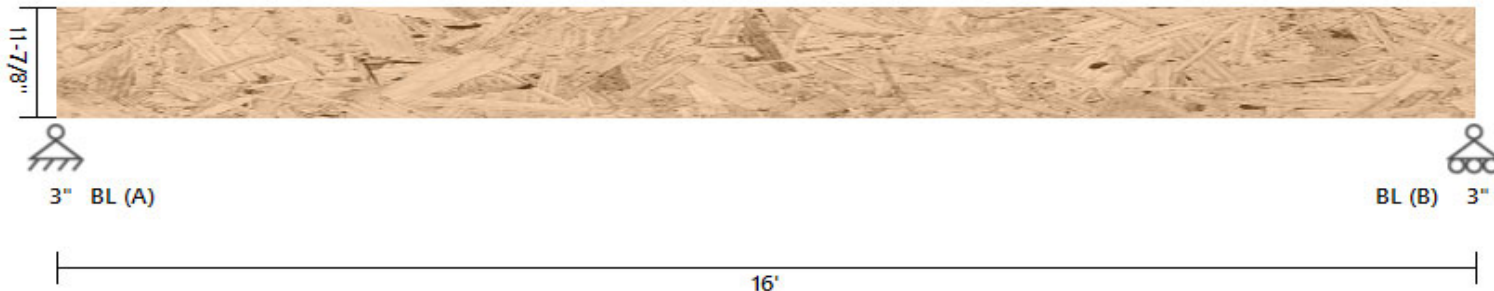
DRAWN BY: **SG** DATE: 12/1/2022 SCALE: 1/8" = 1'-0"
 SQUARE FOOTAGES (149)
 CRAWL SPACE: 2145
 9" T.I. 2145
 GARAGE: 473
 PORCHES: 156
 CUSTOM BUILT FOR: **MICHELLE FICKES**
 JOB #: **DUTCO 022 0715** CN #: **34104** VN #: **F1320**
 LOCATION: **101 MAM LANE**
CATHERIN, NC 28326
COUNTY: HARNETT
Raleigh/Durham, NC
182 West Hamlin Road
Benson, NC 27504
(877) 261-3482
www.schumacherhomes.com

SCHUMACHER HOMES

Schumacher - Fickes Job



DATE:	11/27/2022	COMPANY:	Schumacher Homes
STRUCALC BUILD:	StruCalc Plus	DESIGNED BY:	Dan Fishtorn
CUSTOMER:	Fickes DU700 022 0175	REVIEWED BY:	Dan Fishtorn
PROJ. ADDRESS:	--	PROJECT NAME:	Fickes DU700 022 0175
LEVEL:	Main Floor	LOADING:	ASD
MEMBER NAME:	Garage Door header	CODE:	2021 International Building Code
MEMBER TYPE:	FLOOR BEAM	NDS:	2018 NDS
MATERIAL:	Structural Composite Lumber		
Louisiana Pacific	2.0E LVL	(2) 1.75 X 11.875	DRY

Garage Door header DIAGRAM



BEAM PROPERTIES

Start (ft): 0 End (ft): 16 Member Slope: 0/12 Actual Length (ft): 16

Area	Ix	Iy	BSW	Lams	Cfn	Kcr
(in ²)	(in ⁴)	(in ⁴)	(lbf/ft)			Creep Factor
41.56	488.41	10.61	11.83	2	9	1

STRENGTH PROPERTIES

	Fb (psi)	Ft (psi)	Fv (psi)	Fc (psi)	Fc⊥ (psi)	E (psi) x10 ³	Emin (psi) x10 ³
Base Values	2900	1800	285	3200	750	2000	1000
Adjusted Values	2900	1800	285	3200	750	2000	1000
C _M	1	1	1	1	1	1	1
C _T	1	1	1	1	1	1	1

Bending Adjustment Factors C_V = 1 C_r = 1 Volume factor Is applied on a load combination basis And Is Not reflected in the adjusted values

BEAM DATA

Span	Length (ft)	Unbraced Length (ft)		Beam End				
		Top	Bottom	Elev. Diff (ft)	CL(Top)	CL(Bottom)	CL(Left)	CL(Right)
1	16	0	16	0	1.00	0.33	1.00	1.00

PASS-FAIL

	PASS/FAIL	MAGNITUDE	STRENGTH	LOCATION (ft)	LOAD COMBO	DURATION FACTOR CD
Shear Stress Y (psi)	PASS (86.0%)	39.8	285.0	0	D+L	1
Bending Stress Y (psi)	PASS (77.8%)	643.4	2903.4	8	D+L	1
Deflection (in)	PASS (74.0%)	0.208 (=L/923)	0.800 (=L/240)	8	D+L	
Bearing Stress (psi)	PASS (86.0%)	105.0	750.0	0	D+L	1

REACTIONS

Units for V: lbf Units for M: lbf-ft

Y axis	DEAD	LIVE	TOTAL
A	527	576	1103
B	527	576	1103

Reaction Location

A

B

LOAD LIST

Type	Left Magnitude	Right Magnitude	Load Start (ft)	Load End (ft)	Load Type	Direction
Uniform (lbf/ft)	72	72	0	16	Live	Y
Uniform (lbf/ft)	54	54	0	16	Dead	Y
Self Weight (lbf/ft)	11.83	11.83	0	16	Dead	Y