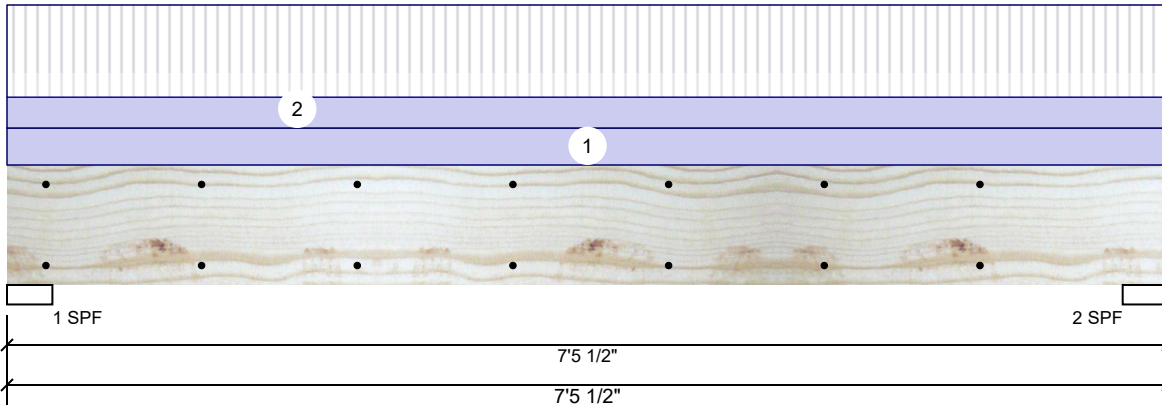


**FB2 Kerto-S LVL 1.750" X 9.250" 2-Ply - PASSED**

Level: Level



**Member Information**

Type:	Girder
Plies:	2
Moisture Condition:	Dry
Deflection LL:	480
Deflection TL:	360
Importance:	Normal - II
Temperature:	Temp <= 100°F

Application:	Floor
Design Method:	ASD
Building Code:	IBC/IRC 2015
Load Sharing:	No
Deck:	Not Checked

**Reactions UNPATTERNED lb (Uplift)**

Brg	Direction	Live	Dead	Snow	Wind	Const
1	Vertical	1395	1052	0	0	0
2	Vertical	1395	1052	0	0	0

**Bearings**

Bearing	Length	Dir.	Cap.	React D/L lb	Total	Ld. Case	Ld. Comb.
1 - SPF	3.500"	Vert	47%	1052 / 1395	2447	L	D+L
2 - SPF	3.500"	Vert	47%	1052 / 1395	2447	L	D+L

**Analysis Results**

Analysis	Actual	Location	Allowed	Capacity	Comb.	Case
Moment	4019 ft-lb	3'8 3/4"	12542 ft-lb	0.320 (32%)	D+L	L
Unbraced	4019 ft-lb	3'8 3/4"	9278 ft-lb	0.433 (43%)	D+L	L
Shear	1755 lb	1' 3/4"	6907 lb	0.254 (25%)	D+L	L
LL Defl inch	0.052 (L/1618)	3'8 13/16"	0.175 (L/480)	0.297 (30%)	L	L
TL Defl inch	0.091 (L/922)	3'8 13/16"	0.233 (L/360)	0.390 (39%)	D+L	L

**Design Notes**

- 1 Provide support to prevent lateral movement and rotation at the end bearings. Lateral support may also be required at the interior bearings by the building code.
- 2 Fasten all plies using 2 rows of 10d Box nails (.128x3") at 12" o.c. Maximum end distance not to exceed 6".
- 3 Refer to last page of calculations for fasteners required for specified loads.
- 4 Girders are designed to be supported on the bottom edge only.
- 5 Top loads must be supported equally by all plies.
- 6 Top must be laterally braced at end bearings.
- 7 Bottom must be laterally braced at end bearings.
- 8 Lateral slenderness ratio based on single ply width.

ID	Load Type	Location	Trib Width	Side	Dead 0.9	Live 1	Snow 1.15	Wind 1.6	Const. 1.25	Comments
1	Uniform			Top	150 PLF	0 PLF	0 PLF	0 PLF	0 PLF	WALL ABOVE
2	Uniform			Top	125 PLF	374 PLF	0 PLF	0 PLF	0 PLF	F01
	Self Weight				7 PLF					

**Notes**  
 Calculated Structured Designs is responsible only of the structural adequacy of this component based on the design criteria and loadings shown. It is the responsibility of the customer and/or the contractor to ensure the component suitability of the intended application, and to verify the dimensions and loads.

**Lumber**  
 1. Dry service conditions, unless noted otherwise  
 2. LVL not to be treated with fire retardant or corrosive chemicals

**Handling & Installation**  
 1. LVL beams must not be cut or drilled  
 2. Refer to manufacturer's product information regarding installation requirements, multi-ply fastening details, beam strength values, and code approvals  
 3. Damaged Beams must not be used  
 4. Design assumes top edge is laterally restrained  
 5. Provide lateral support at bearing points to avoid lateral displacement and rotation

6. For flat roofs provide proper drainage to prevent ponding

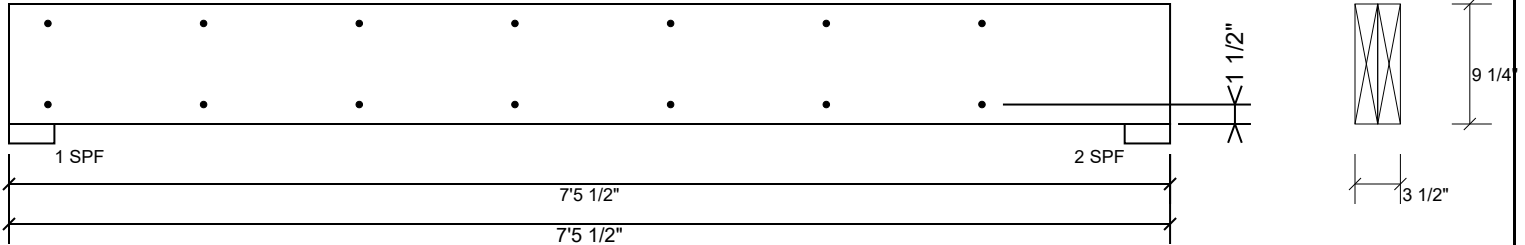
This design is valid until 11/3/2024

**Manufacturer Info**  
 Metsä Wood  
 301 Merritt 7 Building, 2nd Floor  
 Norwalk, CT 06851  
 (800) 622-5850  
[www.metsawood.com/us](http://www.metsawood.com/us)

Comtech, Inc.  
 1001 S. Reilly Road, Suite #639  
 Fayetteville, NC  
 USA  
 28314  
 910-864-TRUS

**FB2 Kerto-S LVL 1.750" X 9.250" 2-Ply - PASSED**

Level: Level



**Multi-Ply Analysis**

Fasten all plies using 2 rows of 10d Box nails (.128x3") at 12" o.c.. Maximum end distance not to exceed 6".

Capacity	0.0 %
Load	0.0 PLF
Yield Limit per Foot	163.7 PLF
Yield Limit per Fastener	81.9 lb.
Yield Mode	IV
Edge Distance	1 1/2"
Min. End Distance	3"
Load Combination	
Duration Factor	1.00

**Notes**

Calculated Structured Designs is responsible only of the structural adequacy of this component based on the design criteria and loadings shown. It is the responsibility of the customer and/or the contractor to ensure the component suitability of the intended application, and to verify the dimensions and loads.

**Lumber**

1. Dry service conditions, unless noted otherwise
2. LVL not to be treated with fire retardant or corrosive

chemicals

**Handling & Installation**

1. LVL beams must not be cut or drilled
2. Refer to manufacturer's product information regarding installation requirements, multi-ply fastening details, beam strength values, and code approvals
3. Damaged Beams must not be used
4. Design assumes top edge is laterally restrained
5. Provide lateral support at bearing points to avoid lateral displacement and rotation

6. For flat roofs provide proper drainage to prevent ponding

This design is valid until 11/3/2024

**Manufacturer Info**

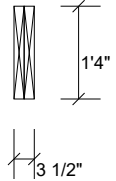
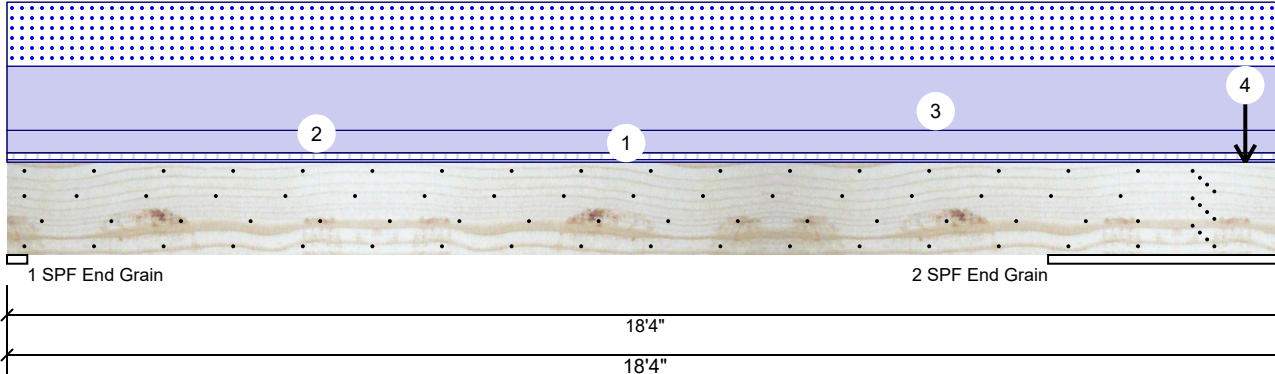
Metsä Wood  
 301 Merritt 7 Building, 2nd Floor  
 Norwalk, CT 06851  
 (800) 622-5850  
[www.metsawood.com/us](http://www.metsawood.com/us)

Comtech, Inc.  
 1001 S. Reilly Road, Suite #639  
 Fayetteville, NC  
 USA  
 28314  
 910-864-TRUS



**FB1 Kerto-S LVL 1.750" X 16.000" 2-Ply - PASSED**

Level: Level



**Member Information**

Type:	Girder	Application:	Floor
Plies:	2	Design Method:	ASD
Moisture Condition:	Dry	Building Code:	IBC/IRC 2015
Deflection LL:	480	Load Sharing:	No
Deflection TL:	360	Deck:	Not Checked
Importance:	Normal - II	Ceiling:	Gypsum 1/2"
Temperature:	Temp <= 100°F		

**Reactions UNPATTERNED lb (Uplift)**

Brg	Direction	Live	Dead	Snow	Wind	Const
1	Vertical	305	4037	2837	0	0
2	Vertical	428	6785	5100	0	0

**Bearings**

Bearing	Length	Dir.	Cap. React	D/L lb	Total	Ld. Case	Ld. Comb.
1 - SPF End Grain	3.500"	Vert	67%	4037 / 2837	6874	L	D+S
2 - SPF End Grain	40.500"	Vert	10%	6785 / 5100	11885	L	D+S

**Analysis Results**

Analysis	Actual	Location	Allowed	Capacity	Comb.	Case
Moment	24723 ft-lb	7'7 1/2"	39750 ft-lb	0.622 (62%)	D+S	L
Unbraced	24723 ft-lb	7'7 1/2"	24857 ft-lb	0.995 (99%)	D+S	L
Shear	6417 lb	1'7 1/2"	13739 lb	0.467 (47%)	D+S	L
LL Defl inch	0.190 (L/937)	7'7 9/16"	0.370 (L/480)	0.512 (51%)	S	L
TL Defl inch	0.460 (L/387)	7'7 9/16"	0.494 (L/360)	0.931 (93%)	D+S	L

**Design Notes**

- 1 Provide support to prevent lateral movement and rotation at the end bearings. Lateral support may also be required at the interior bearings by the building code.
- 2 Fasten all plies using 4 rows of 10d Box nails (.128x3") at 12" o.c. Maximum end distance not to exceed 6".
- 3 Refer to last page of calculations for fasteners required for specified loads.
- 4 Concentrated load fastener specification is in addition to hanger fasteners if a hanger is present.
- 5 Girders are designed to be supported on the bottom edge only.
- 6 Top loads must be supported equally by all plies.
- 7 Top must be laterally braced at a maximum of 4'6 7/8" o.c.
- 8 Lateral slenderness ratio based on single ply width.

ID	Load Type	Location	Trib Width	Side	Dead 0.9	Live 1	Snow 1.15	Wind 1.6	Const. 1.25	Comments
1	Uniform			Top	15 PLF	40 PLF	0 PLF	0 PLF	0 PLF	FL. LOADING
2	Uniform			Top	130 PLF	0 PLF	0 PLF	0 PLF	0 PLF	WALL ABOVE
3	Uniform			Far Face	372 PLF	0 PLF	372 PLF	0 PLF	0 PLF	A5
4	Point	17-9-8		Near Face	1116 lb	0 lb	1116 lb	0 lb	0 lb	A4
	Self Weight				12 PLF					

**Notes**

Calculated Structured Designs is responsible only of the structural adequacy of this component based on the design criteria and loadings shown. It is the responsibility of the customer and/or the contractor to ensure the component suitability of the intended application, and to verify the dimensions and loads.

**Lumber**

1. Dry service conditions, unless noted otherwise
2. LVL not to be treated with fire retardant or corrosive

**Handling & Installation**

1. LVL beams must not be cut or drilled
2. Refer to manufacturer's product information regarding installation requirements, multi-ply fastening details, beam strength values, and code approvals
3. Damaged Beams must not be used
4. Design assumes top edge is laterally restrained
5. Provide lateral support at bearing points to avoid lateral displacement and rotation

6. For flat roofs provide proper drainage to prevent ponding

This design is valid until 11/3/2024

**Manufacturer Info**

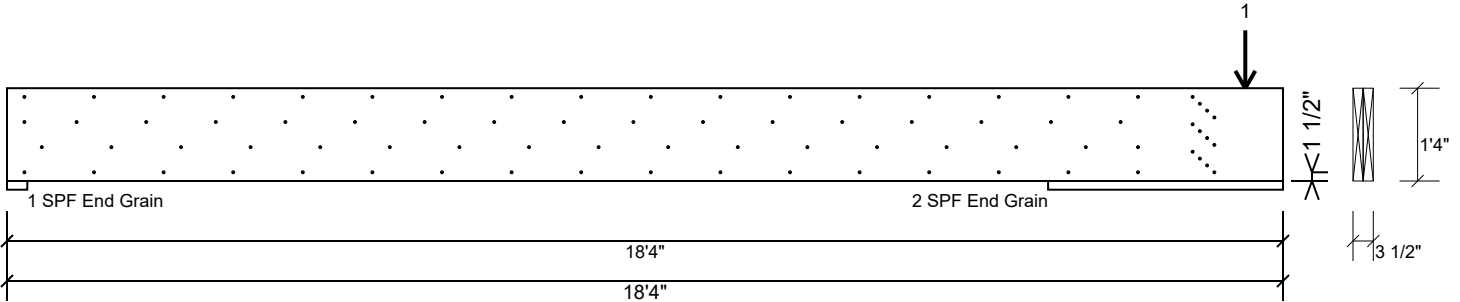
Metsä Wood  
 301 Merritt 7 Building, 2nd Floor  
 Norwalk, CT 06851  
 (800) 622-5850  
[www.metsawood.com/us](http://www.metsawood.com/us)

Comtech, Inc.  
 1001 S. Reilly Road, Suite #639  
 Fayetteville, NC  
 USA  
 28314  
 910-864-TRUS



**FB1 Kerto-S LVL 1.750" X 16.000" 2-Ply - PASSED**

Level: Level



**Multi-Ply Analysis**

Fasten all plies using 4 rows of 10d Box nails (.128x3") at 12" o.c.. except for regions covered by concentrated load fastening. Maximum end distance not to exceed 6".

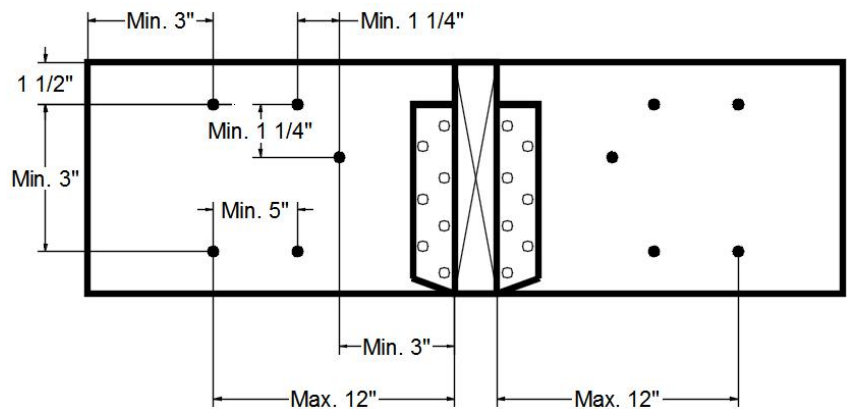
Capacity	98.8 %
Load	372.0 PLF
Yield Limit per Foot	376.5 PLF
Yield Limit per Fastener	94.1 lb.
Yield Mode	IV
Edge Distance	1 1/2"
Min. End Distance	3"
Load Combination	D+S
Duration Factor	1.15

**Concentrated Load**

Fasten at concentrated side load at 17-9-8 with a minimum of (12) – 10d Box nails (.128x3") in the pattern shown.

Capacity	98.8 %
Load	1116.0lb.
Total Yield Limit	1129.3 lb.
Cg	0.9998
Yield Limit per Fastener	94.1 lb.
Yield Mode	IV
Load Combination	D+S
Duration Factor	1.15

**Min/Max fastener distances for Concentrated Side Loads**



**Notes**

Calculated Structured Designs is responsible only of the structural adequacy of this component based on the design criteria and loadings shown. It is the responsibility of the customer and/or the contractor to ensure the component suitability of the intended application, and to verify the dimensions and loads.

**Lumber**

1. Dry service conditions, unless noted otherwise
2. LVL not to be treated with fire retardant or corrosive chemicals

chemicals

**Handling & Installation**

1. LVL beams must not be cut or drilled
2. Refer to manufacturer's product information regarding installation requirements, multi-ply fastening details, beam strength values, and code approvals
3. Damaged Beams must not be used
4. Design assumes top edge is laterally restrained
5. Provide lateral support at bearing points to avoid lateral displacement and rotation

6. For flat roofs provide proper drainage to prevent ponding

**Manufacturer Info**

Metsä Wood  
 301 Merritt 7 Building, 2nd Floor  
 Norwalk, CT 06851  
 (800) 622-5850  
[www.metsawood.com/us](http://www.metsawood.com/us)

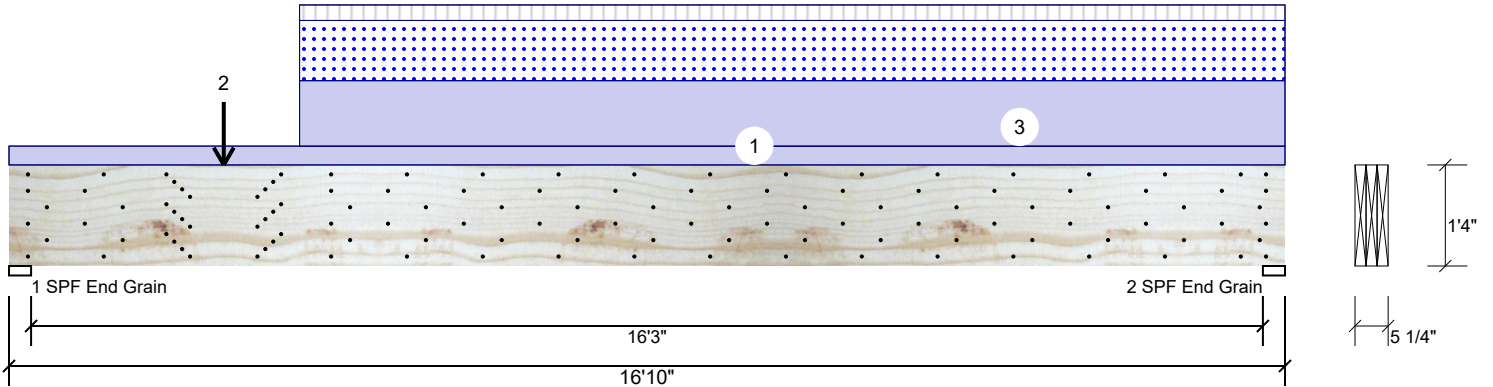
Comtech, Inc.  
 1001 S. Reilly Road, Suite #639  
 Fayetteville, NC  
 USA  
 28314  
 910-864-TRUS



This design is valid until 11/3/2024

**GDH Kerto-S LVL 1.750" X 16.000" 3-Ply - PASSED**

Level: Level



**Member Information**

Type:	Girder	Application:	Floor
Plies:	3	Design Method:	ASD
Moisture Condition:	Dry	Building Code:	IBC/IRC 2015
Deflection LL:	360	Load Sharing:	Yes
Deflection TL:	240	Deck:	Not Checked
Importance:	Normal - II		
Temperature:	Temp <= 100°F		

**Reactions UNPATTERNED lb (Uplift)**

Brg	Direction	Live	Dead	Snow	Wind	Const
1	Vertical	493	4378	3046	0	0
2	Vertical	794	4726	3294	0	0

**Bearings**

Bearing	Length	Dir.	Cap.	React D/L lb	Total	Ld. Case	Ld. Comb.
1 - SPF End Grain	3.500"	Vert	48%	4378 / 3046	7424	L	D+S
2 - SPF End Grain	3.500"	Vert	52%	4726 / 3294	8020	L	D+S

**Analysis Results**

Analysis	Actual	Location	Allowed	Capacity	Comb.	Case
Moment	32490 ft-lb	8'3 9/16"	62010 ft-lb	0.524 (52%)	D+S	L
Unbraced	32490 ft-lb	8'3 9/16"	32596 ft-lb	0.997 (100%)	D+S	L
Shear	8291 lb	1'7 1/2"	20608 lb	0.402 (40%)	D+S	L
LL Defl inch	0.201 (L/981)	8'4 3/8"	0.547 (L/360)	0.367 (37%)	S	L
TL Defl inch	0.485 (L/406)	8'4 1/2"	0.820 (L/240)	0.592 (59%)	D+S	L

**Design Notes**

- Provide support to prevent lateral movement and rotation at the end bearings. Lateral support may also be required at the interior bearings by the building code.
- Fasten all plies using 6 rows of 10d Box nails (.128x3") at 12" o.c. Maximum end distance not to exceed 6".
- Refer to last page of calculations for fasteners required for specified loads.
- Concentrated load fastener specification is in addition to hanger fasteners if a hanger is present.
- Girders are designed to be supported on the bottom edge only.
- Top loads must be supported equally by all plies.
- Top must be laterally braced at a maximum of 5'4 3/16" o.c.
- Bottom must be laterally braced at end bearings.
- Lateral slenderness ratio based on single ply width.

ID	Load Type	Location	Trib Width	Side	Dead 0.9	Live 1	Snow 1.15	Wind 1.6	Const. 1.25	Comments
1	Uniform			Top	120 PLF	0 PLF	0 PLF	0 PLF	0 PLF	WALL
2	Point	2-10-0		Far Face	1348 lb	0 lb	1348 lb	0 lb	0 lb	A3
3	Part. Uniform	3-10-0 to 16-10-0		Far Face	417 PLF	99 PLF	384 PLF	0 PLF	0 PLF	A2
	Self Weight				19 PLF					

**Notes**

Calculated Structured Designs is responsible only of the structural adequacy of this component based on the design criteria and loadings shown. It is the responsibility of the customer and/or the contractor to ensure the component suitability of the intended application, and to verify the dimensions and loads.

**Lumber**

- Dry service conditions, unless noted otherwise
- LVL not to be treated with fire retardant or corrosive chemicals

chemicals

**Handling & Installation**

- LVL beams must not be cut or drilled
- Refer to manufacturer's product information regarding installation requirements, multi-ply fastening details, beam strength values, and code approvals
- Damaged Beams must not be used
- Design assumes top edge is laterally restrained
- Provide lateral support at bearing points to avoid lateral displacement and rotation

6. For flat roofs provide proper drainage to prevent ponding

This design is valid until 11/3/2024

**Manufacturer Info**

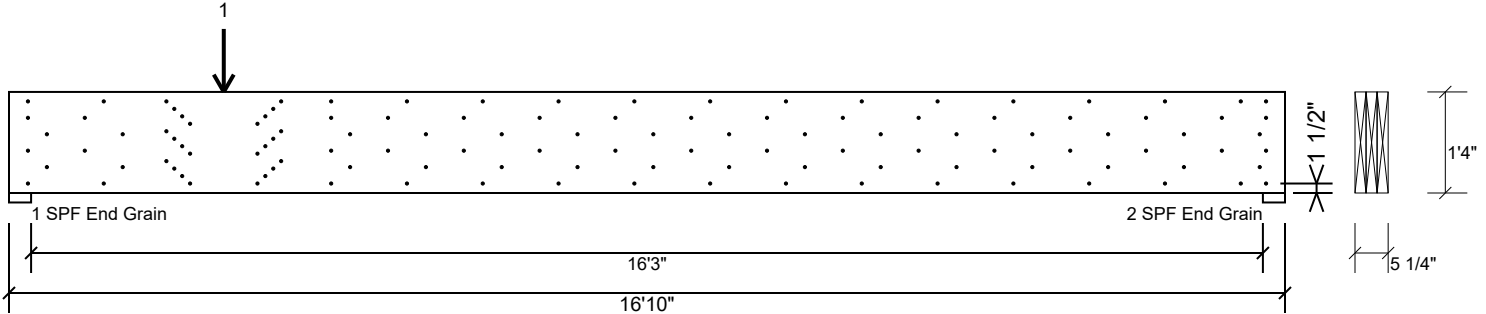
Metsä Wood  
 301 Merritt 7 Building, 2nd Floor  
 Norwalk, CT 06851  
 (800) 622-5850  
[www.metsawood.com/us](http://www.metsawood.com/us)

Comtech, Inc.  
 1001 S. Reilly Road, Suite #639  
 Fayetteville, NC  
 USA  
 28314  
 910-864-TRUS



**GDH Kerto-S LVL 1.750" X 16.000" 3-Ply - PASSED**

Level: Level



**Multi-Ply Analysis**

Fasten all plies using 6 rows of 10d Box nails (.128x3") at 12" o.c.. except for regions covered by concentrated load fastening. Nail from both sides. Maximum end distance not to exceed 6".

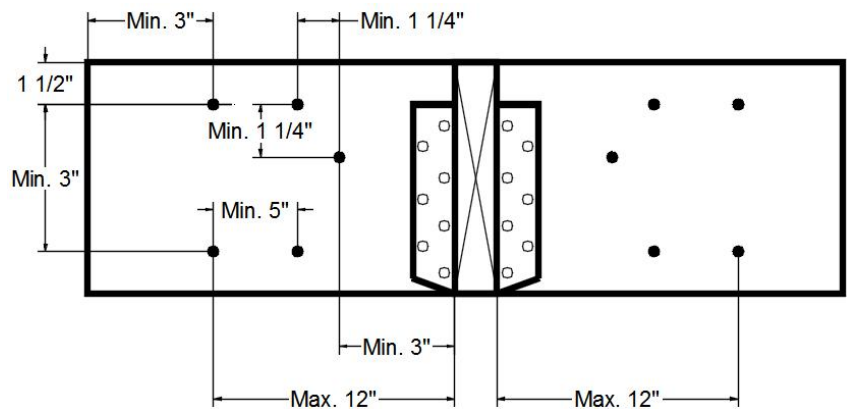
Capacity	94.6 %
Load	534.0 PLF
Yield Limit per Foot	564.8 PLF
Yield Limit per Fastener	94.1 lb.
Yield Mode	IV
Edge Distance	1 1/2"
Min. End Distance	3"
Load Combination	D+S
Duration Factor	1.15

**Concentrated Load**

Fasten at concentrated side load at 2-10-0 with a minimum of (24) – 10d Box nails (.128x3") in the pattern shown. Repeat fasteners on both sides.

Capacity	79.6 %
Load	1797.3lb.
Total Yield Limit	2258.7 lb.
Cg	0.9998
Yield Limit per Fastener	94.1 lb.
Yield Mode	IV
Load Combination	D+S
Duration Factor	1.15

**Min/Max fastener distances for Concentrated Side Loads**



**Notes**

Calculated Structured Designs is responsible only of the structural adequacy of this component based on the design criteria and loadings shown. It is the responsibility of the customer and/or the contractor to ensure the component suitability of the intended application, and to verify the dimensions and loads.

**Lumber**

1. Dry service conditions, unless noted otherwise
2. LVL not to be treated with fire retardant or corrosive

chemicals

**Handling & Installation**

1. LVL beams must not be cut or drilled
2. Refer to manufacturer's product information regarding installation requirements, multi-ply fastening details, beam strength values, and code approvals
3. Damaged Beams must not be used
4. Design assumes top edge is laterally restrained
5. Provide lateral support at bearing points to avoid lateral displacement and rotation

6. For flat roofs provide proper drainage to prevent ponding

This design is valid until 11/3/2024

**Manufacturer Info**

Metsä Wood  
 301 Merritt 7 Building, 2nd Floor  
 Norwalk, CT 06851  
 (800) 622-5850  
[www.metsawood.com/us](http://www.metsawood.com/us)

Comtech, Inc.  
 1001 S. Reilly Road, Suite #639  
 Fayetteville, NC  
 USA  
 28314  
 910-864-TRUS

