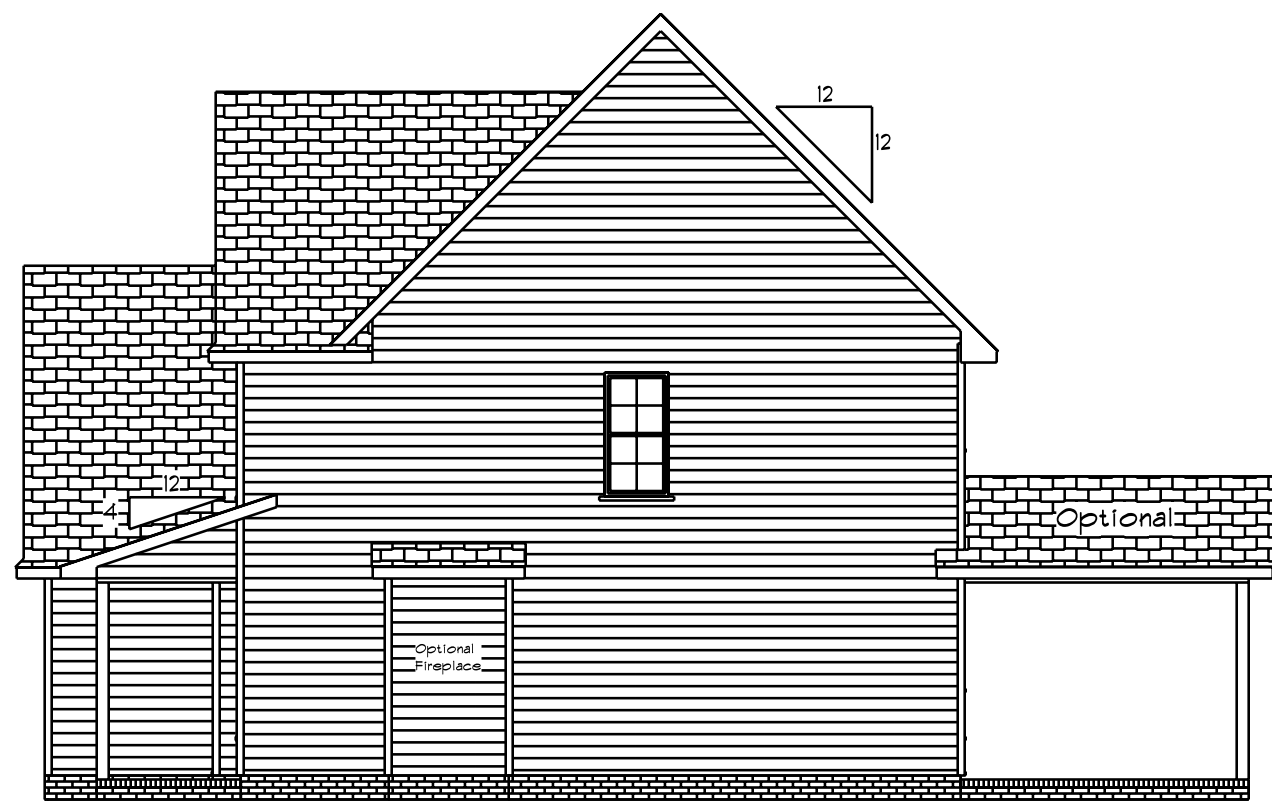




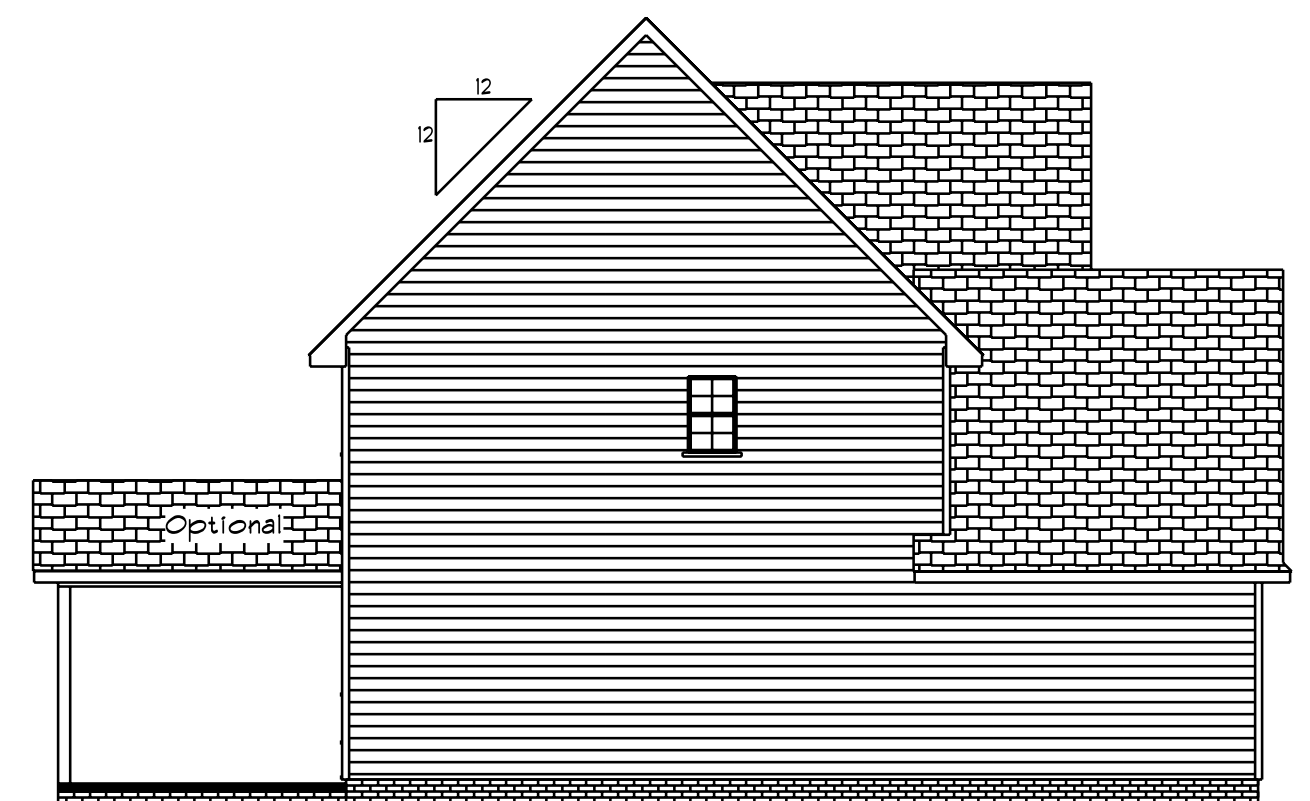
**Front Elevation**  
Scale: 1/4" = 1'0"



**Right Elevation**  
Scale: 1/8" = 1'0"



**Rear Elevation**  
Scale: 1/8" = 1'0"



**Left Elevation**  
Scale: 1/8" = 1'0"

DATE: 6/29/2021  
REVISED  
DRAWING#

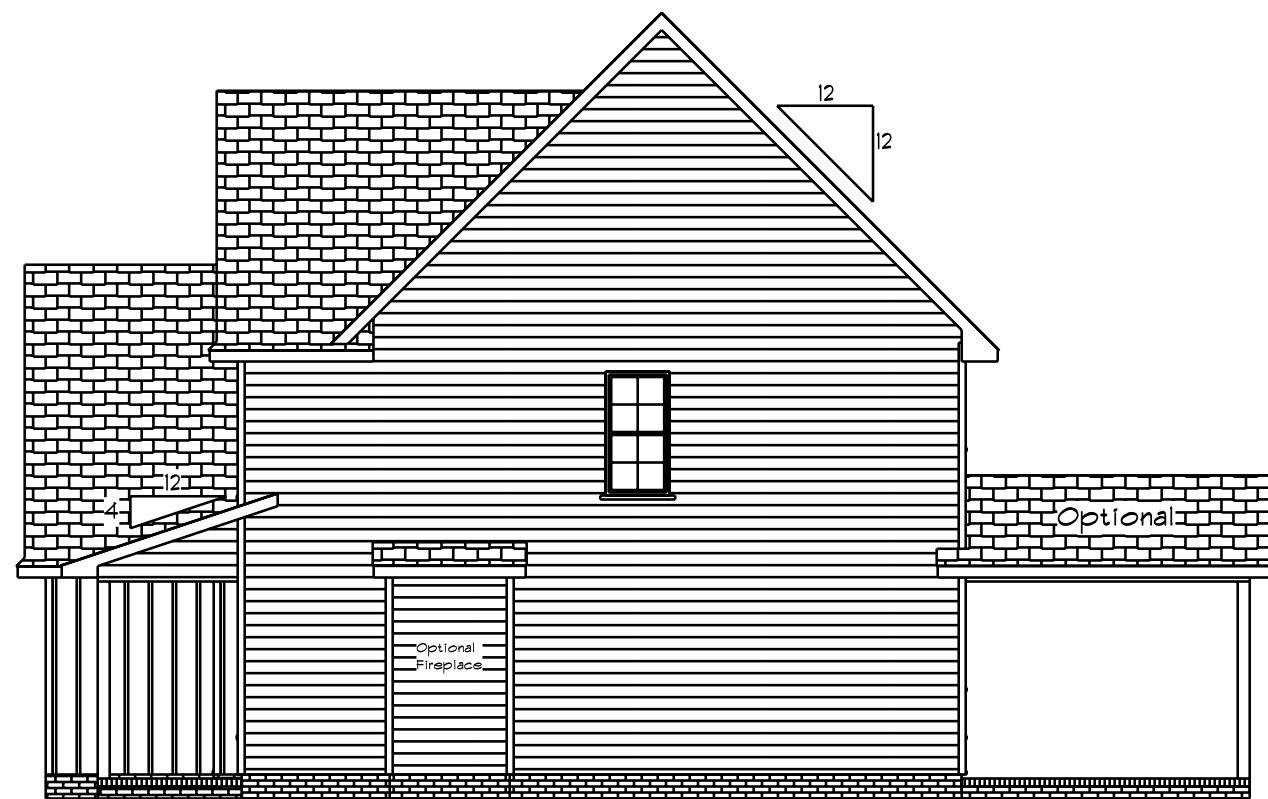
EIV.  
A

SCALE: 1/4"  
DRAWN BY  
APPROVED

The Reedsville



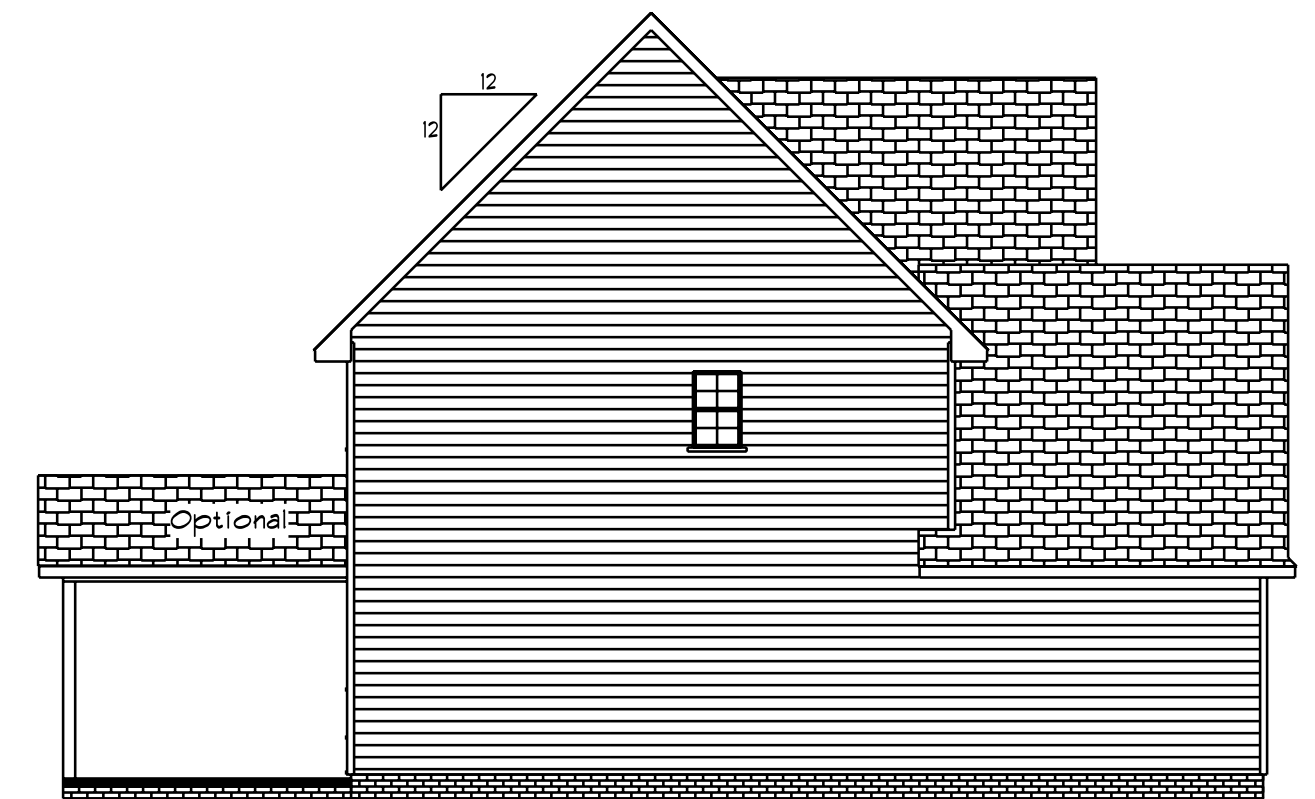
**Front Elevation**  
Scale: 1/4" = 1'0"



**Right Elevation**  
Scale: 1/8" = 1'0"



**Rear Elevation**  
Scale: 1/8" = 1'0"



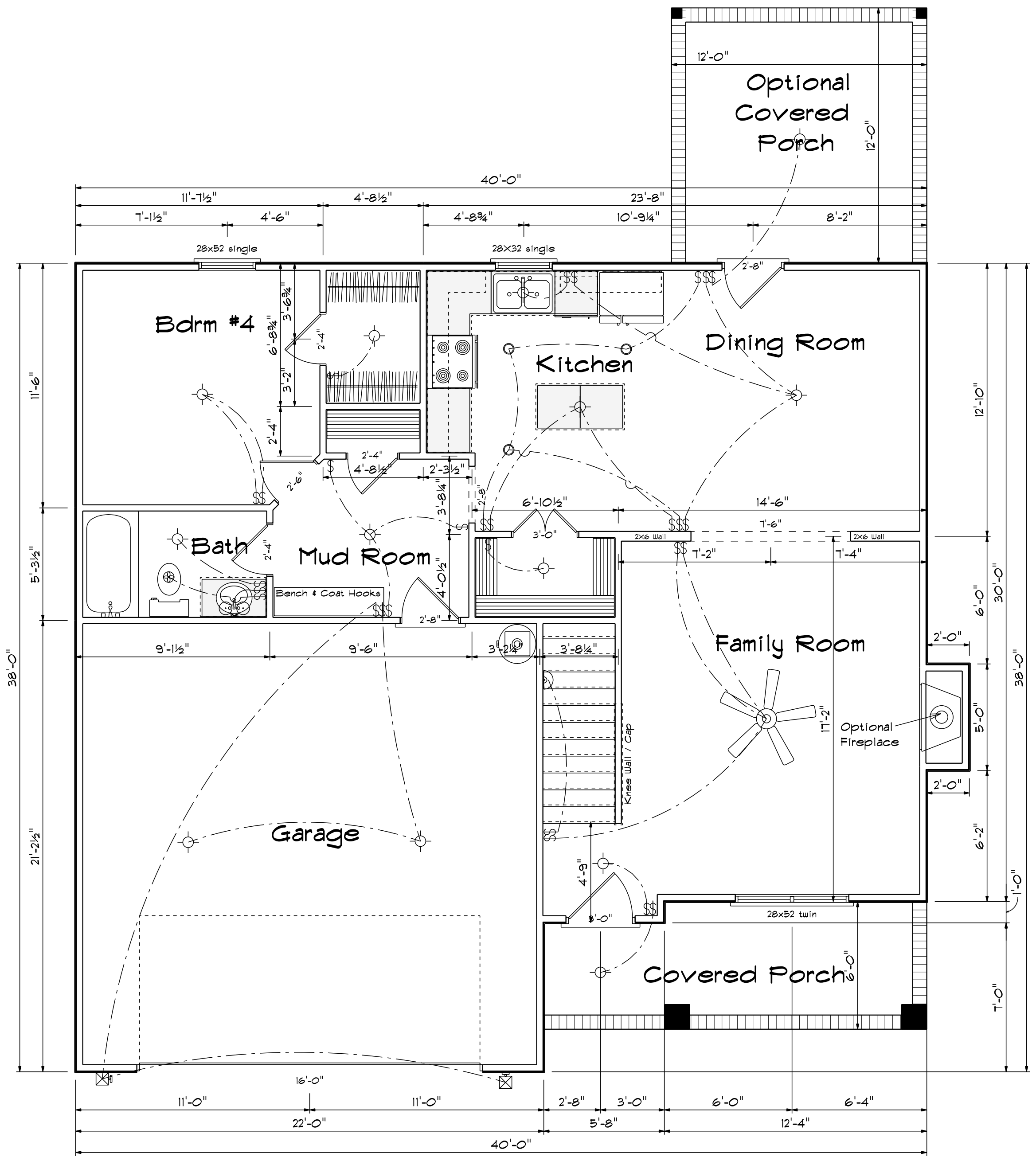
**Left Elevation**  
Scale: 1/8" = 1'0"

DATE: 6/29/2021  
REVISED  
DRAWING#

Elev.  
B

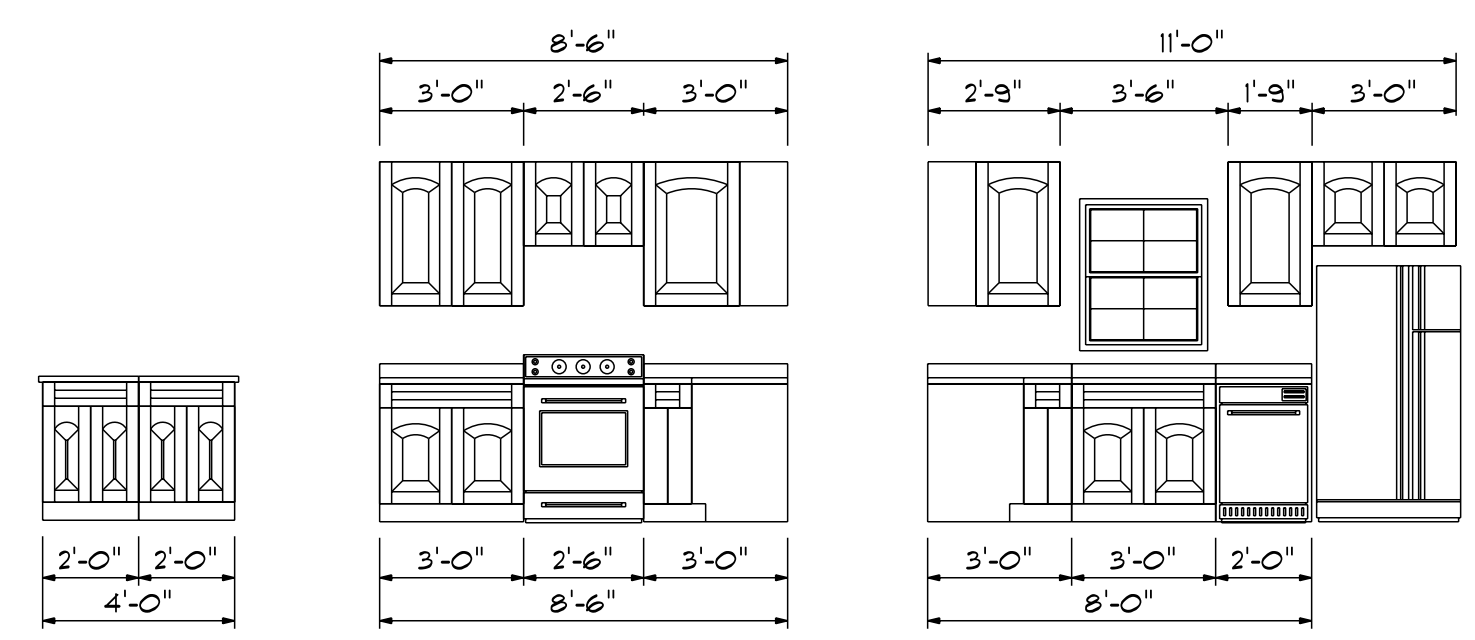
SCALE: 1/4"  
DRAWN BY  
APPROVED

The Reedsville



First Floor Plan

Kitchen Cabinets



FIRST FLOOR OPENING SCHEDULE			
PRODUCT CODE	SIZE	HINGE	COUNT
36X80 COLONIAL A 1	3'-0"	L	1
32X80 FRENCH DOOR	2'-8"	L	1
192X84 - 8 PANEL - 4 WINDOW	16'-0"	U	1
2-4 Door Unit	2'-4"	L	1
2-4 Door Unit	2'-4"	R	2
2-6 Door Unit	2'-6"	R	1
2-8 Door Unit	2'-8"	R	1
4-0 Doublehung Door Unit	4'-0"	LR	1
28X32 single	2'-8" x 3'-2"	N	1
28x52 single	2'-8" x 5'-2"	N	1
28x52 twin	5'-4" x 5'-2"	NN	1

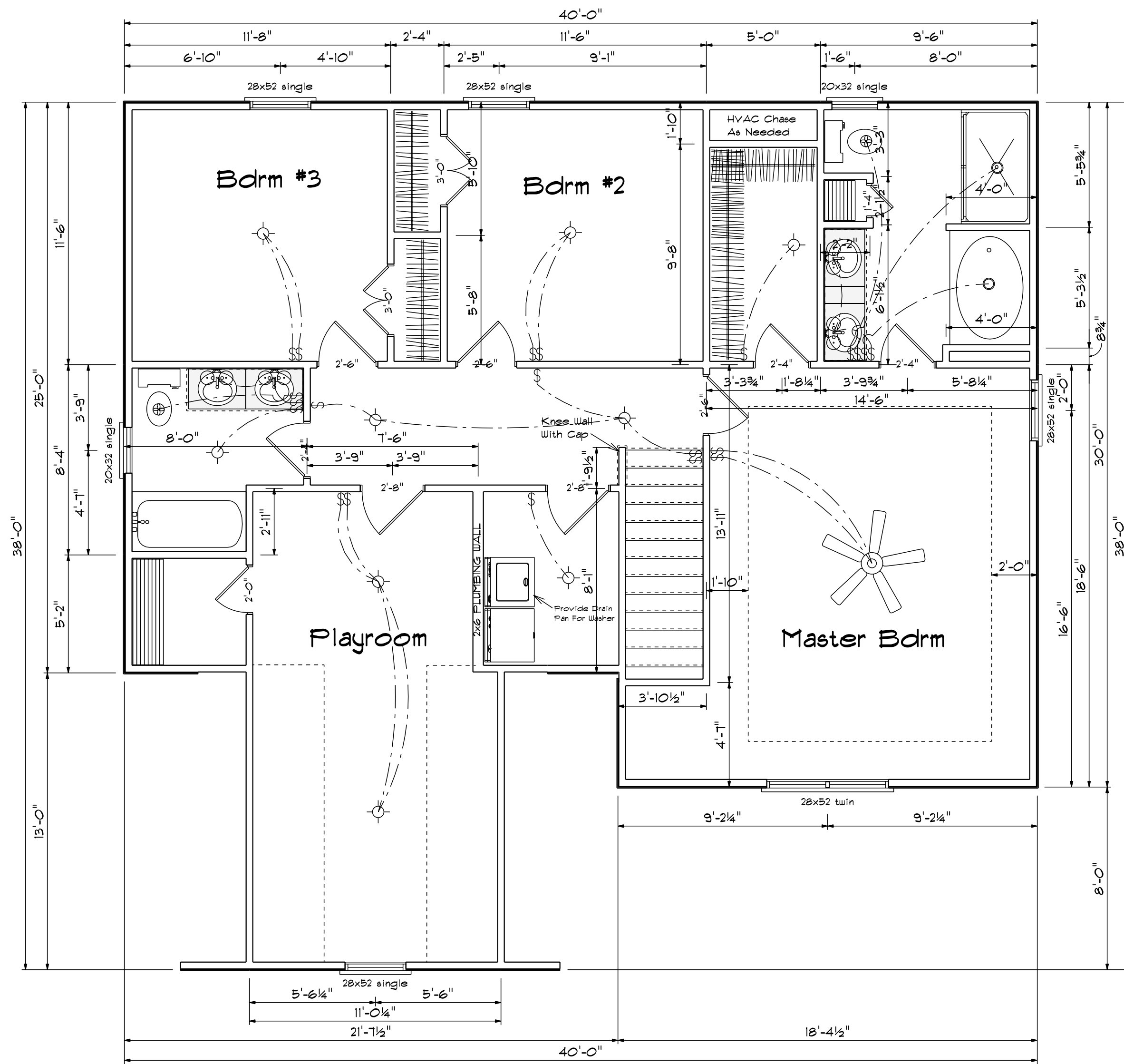
Areas

First Floor	927
Second Floor	1209
-----	
Total Heated	2136
Garage	461
Front Porch	101
Covered Porch	144

DATE: 6/29/2021  
 REVISIONS  
 DRAWING#

SCALE: 1/4"  
 DRAWN BY  
 APPROVED

The Reedsville



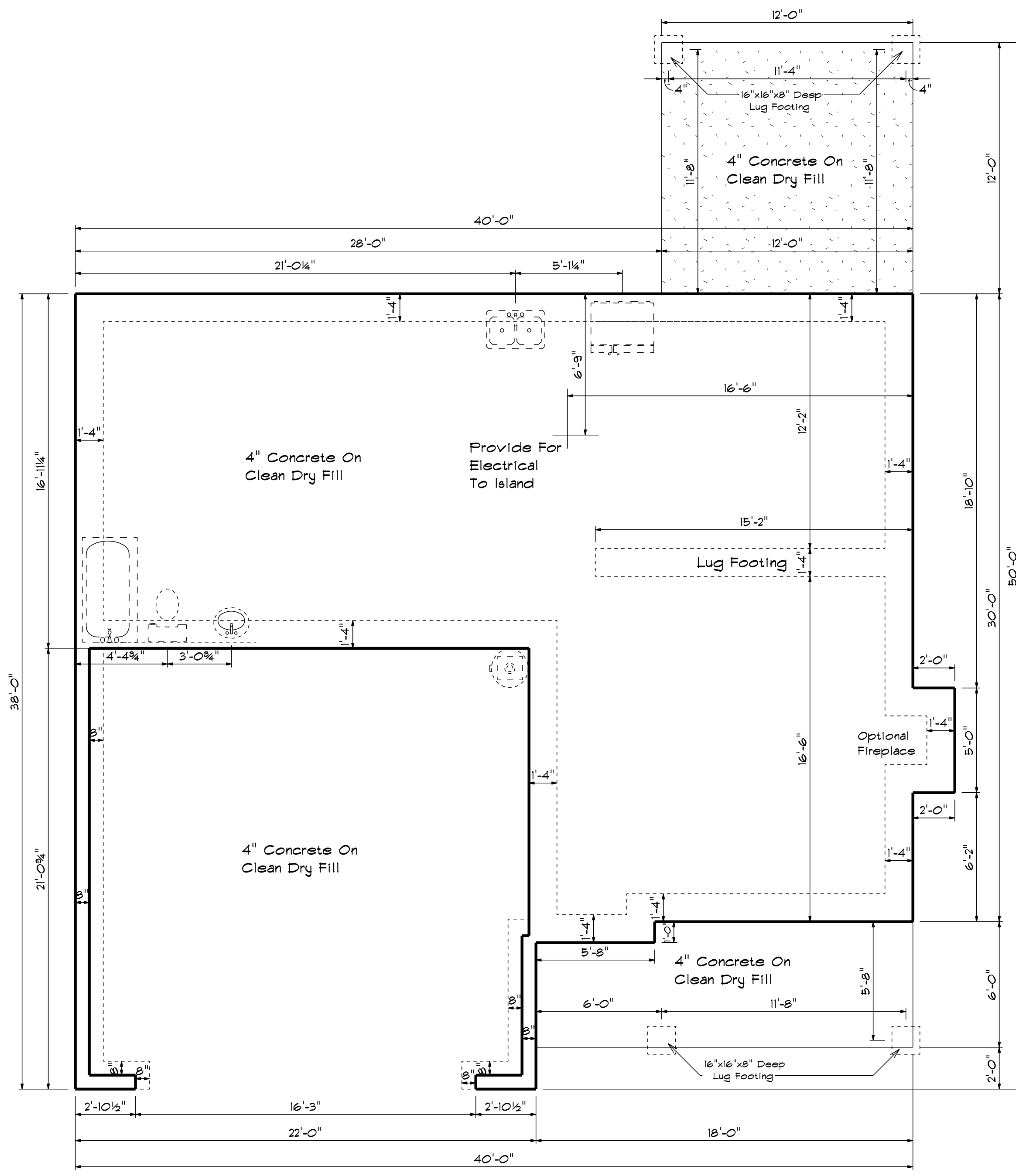
Second Floor Plan

SECOND FLOOR OPENING SCHEDULE			
PRODUCT CODE	SIZE	HINGE	COUNT
1-6 Door Unit	1'-4"	L	1
2-0 Door Unit	2'-0"	R	1
2-4 Door Unit	2'-4"	L	1
2-4 Door Unit	2'-4"	R	2
2-6 Door Unit	2'-6"	L	2
2-6 Door Unit	2'-6"	R	1
2-8 Door Unit	2'-8"	L	2
4-0 Doublehung Door Unit	4'-0"	LR	2
20x32 single	2'-0" x 3'-2"	N	2
28x52 single	2'-8" x 5'-2"	N	5
28x52 twin	5'-4" x 5'-2"	NN	1

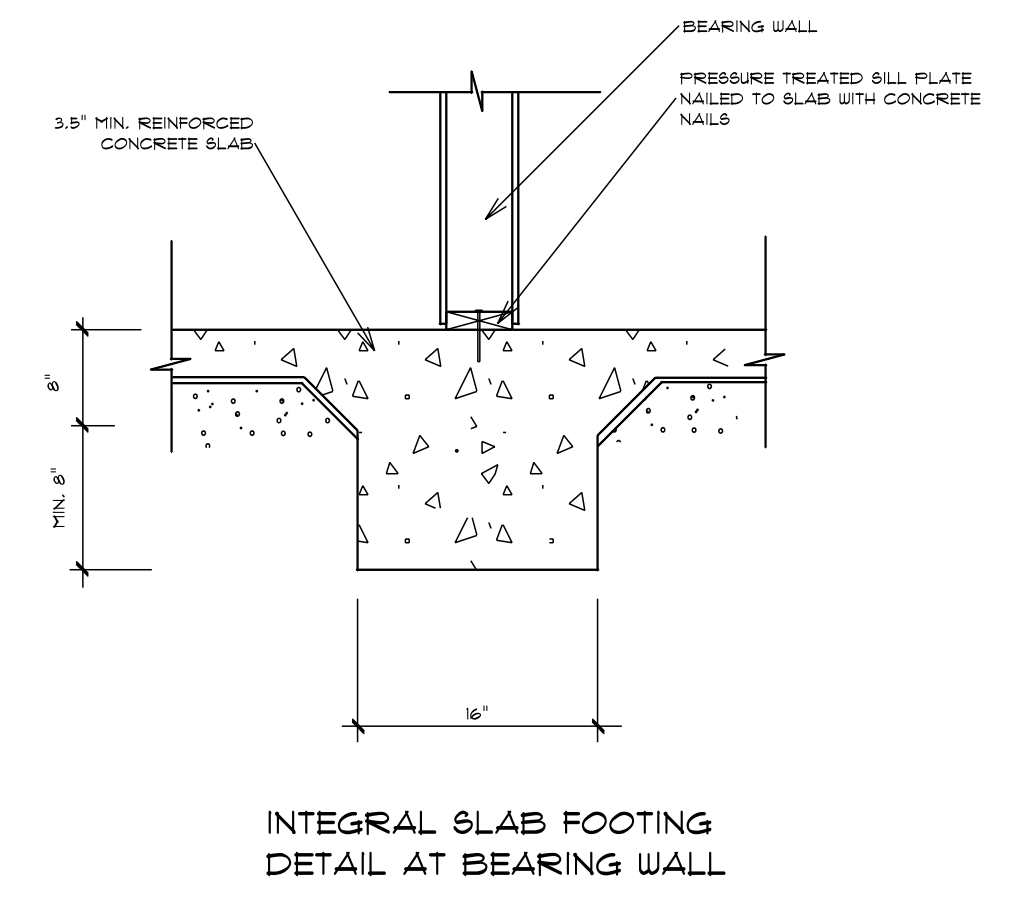
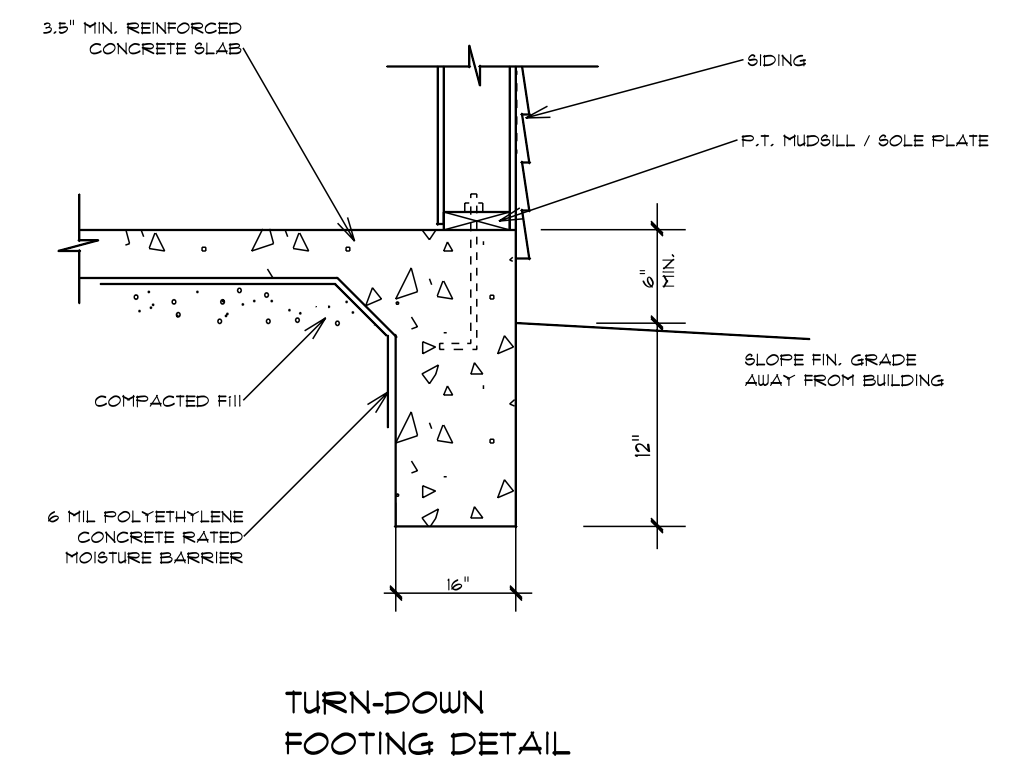
DATE: 6/29/2021  
 REVISIONS  
 DRAWING#

SCALE: 1/4"  
 DRAWN BY  
 APPROVED

The Reedsville



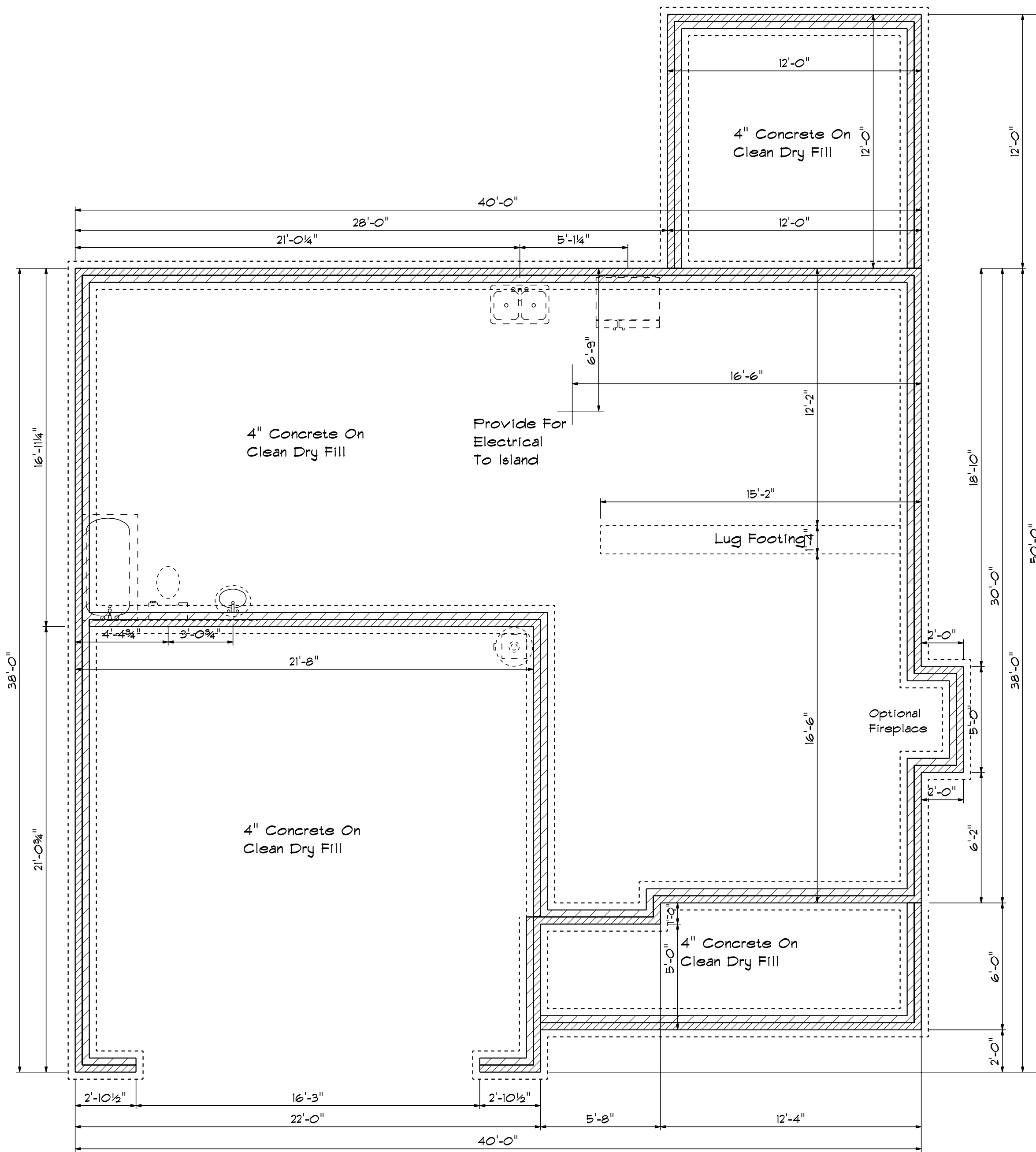
Foundation Plan



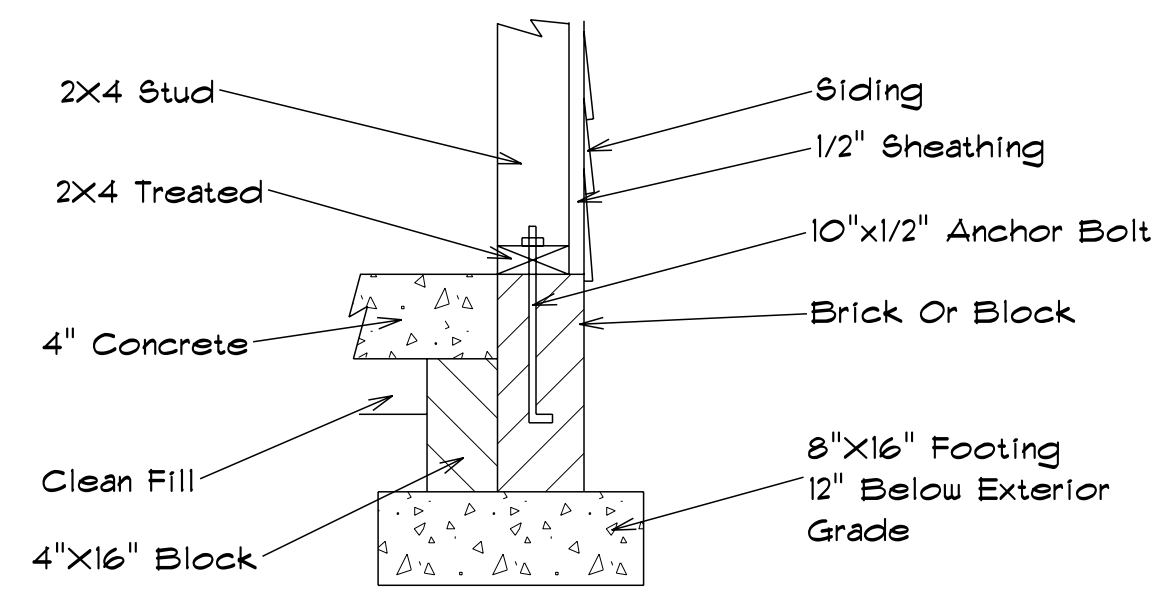
DATE: 6/29/2021  
 REVISED  
 DRAWING#

SCALE: 1/4"  
 DRAWN BY  
 APPROVED

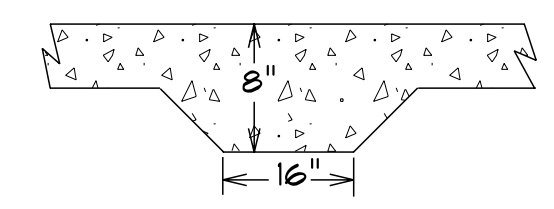
The Reedsville



### Foundation Detail Siding



### Lug Footing Detail



DATE: 6/29/2021  
 REVISIONS  
 DRAWING#

SCALE: 1/4"  
 DRAWN BY  
 APPROVED

The Reedsville