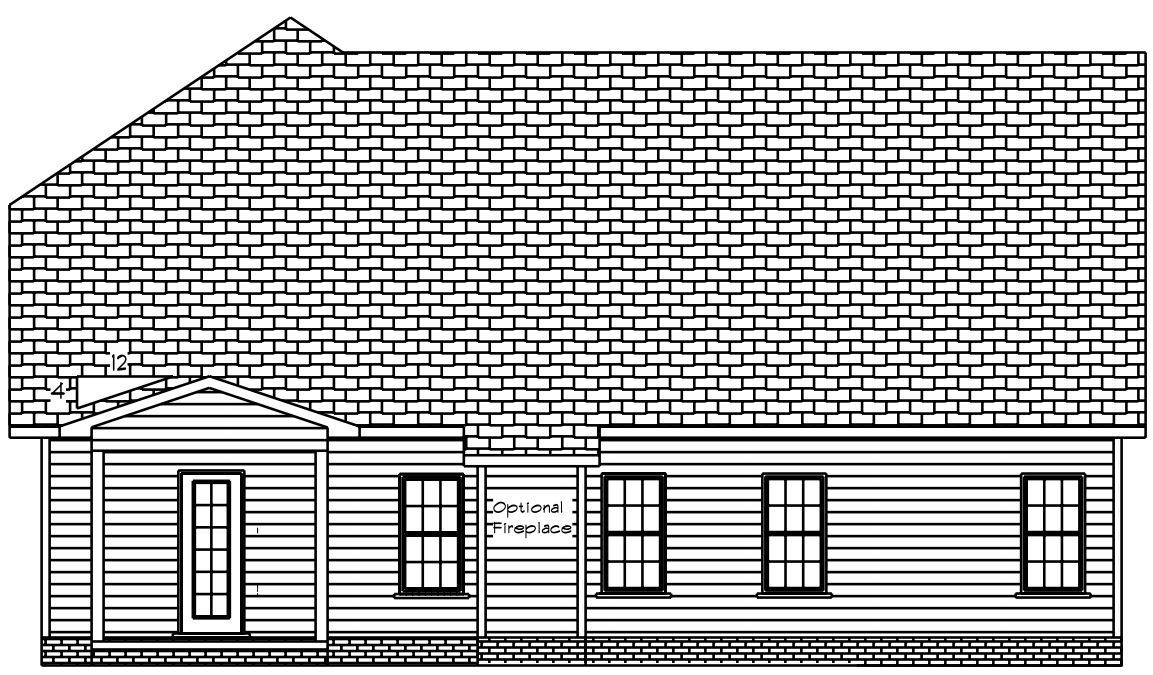
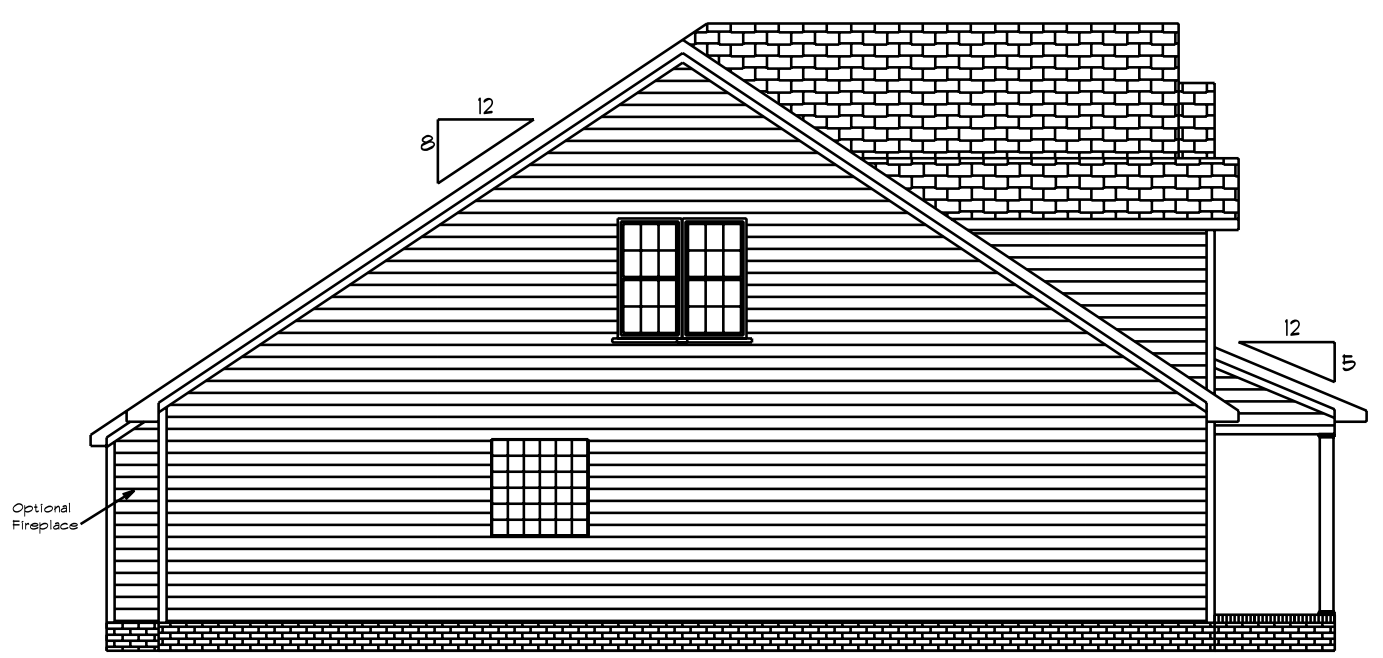




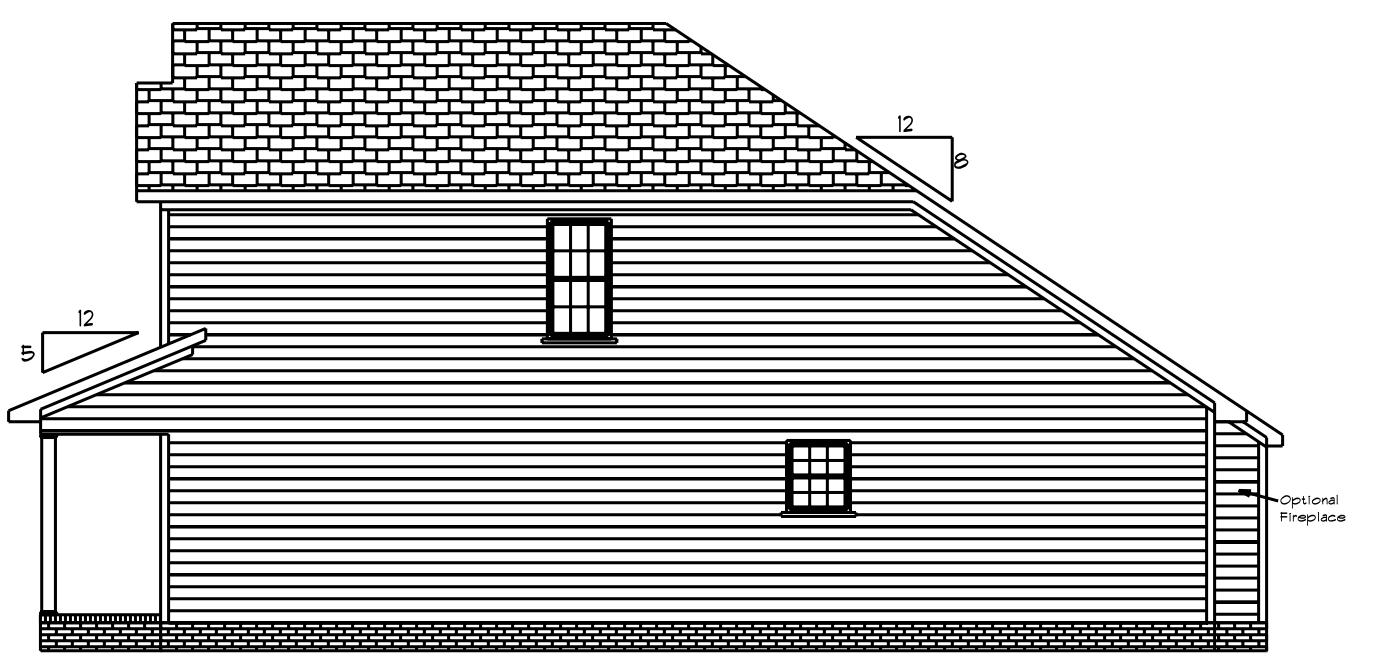
**Front Elevation**  
Scale: 1/4" = 1'0"



**Rear Elevation**  
Scale: 1/8" = 1'0"



**Left Elevation**  
Scale: 1/8" = 1'0"



**Right Elevation**  
Scale: 1/8" = 1'0"

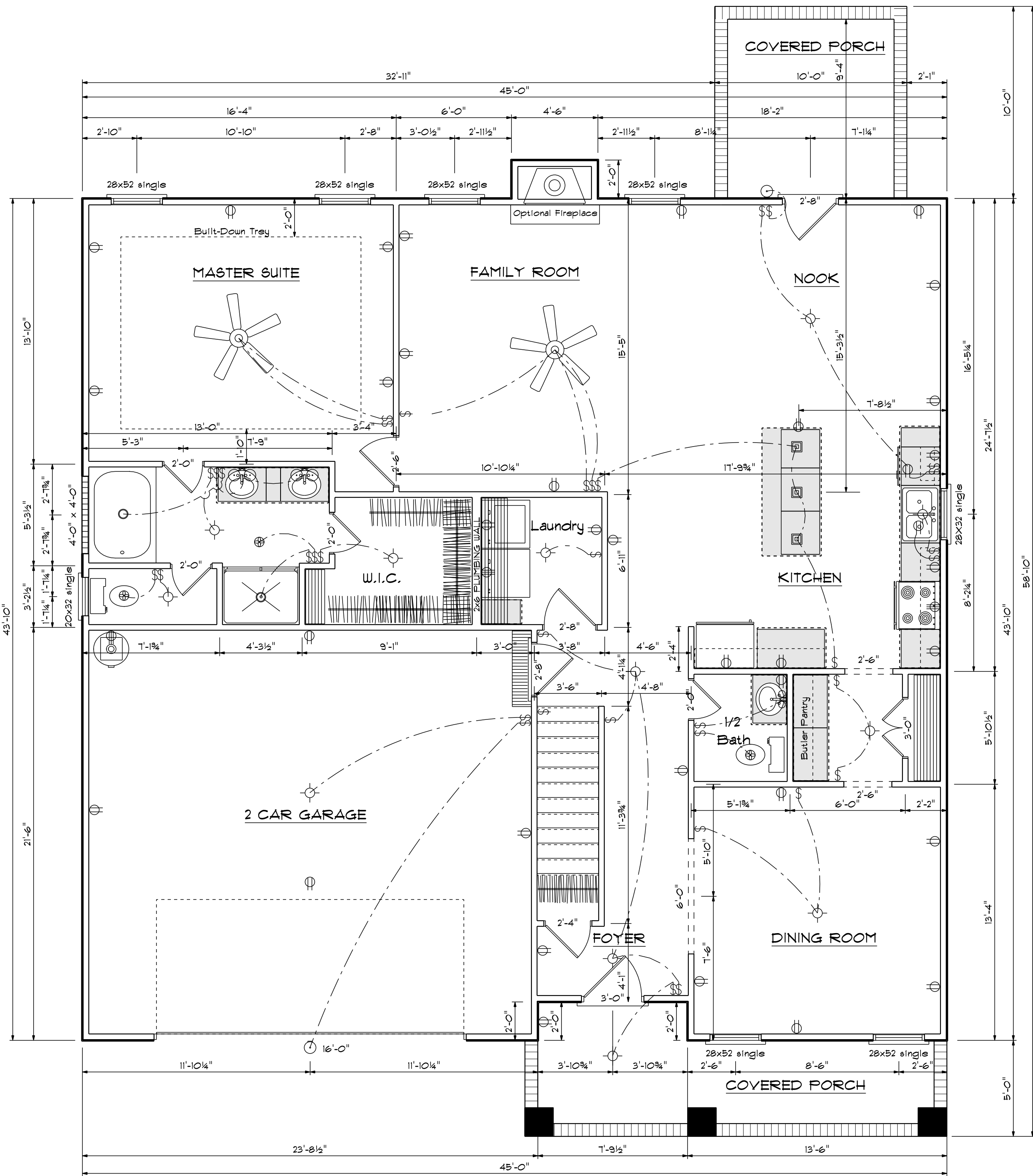
Bass Designs  
2121 Chimney Pt.  
Linden N.C. 28356  
910-864-1253

DATE Friday, July 2, 2021  
REVISED  
DRAWING\*

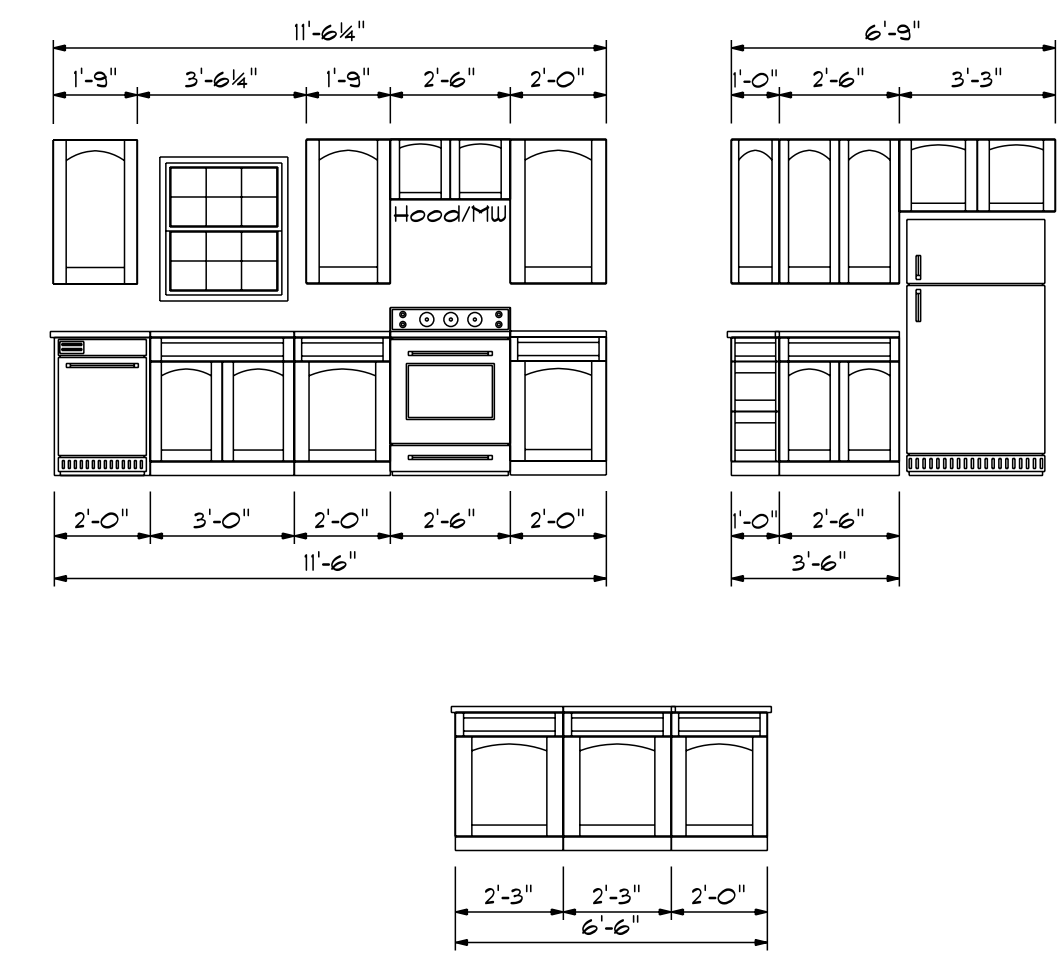
Elev. B

SCALE  
DRAWN BY  
APPROVED

The Caroline



### Kitchen Cabinets

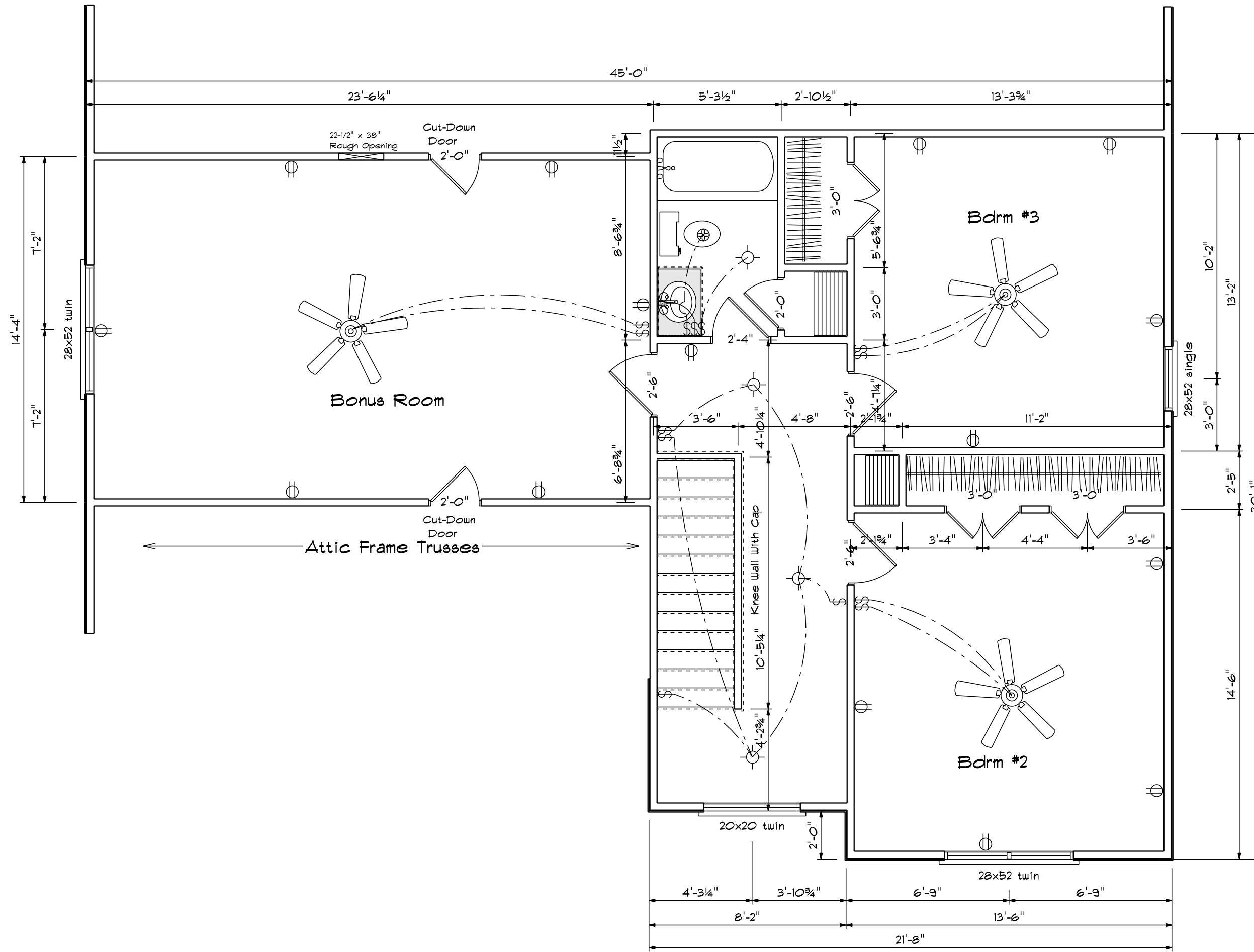


FIRST FLOOR OPENING SCHEDULE			
PRODUCT CODE	SIZE	HINGE	COUNT
36X80 COLONIAL A 1	3'-0"	L	1
192X84 - 8 PANEL - 4 GRILLED WINDOW	18'-0"	L	1
60X80 SLIDING FRENCH 2	5'-0"	NZ	1
48X80 BIFOLD COLONIAL 2	4'-0"	LR	1
2-0 Door Unit	2'-0"	R	1
2-0 Door Unit	2'-0"	L	2
2-8 Door Unit	2'-8"	R	1
2-0 DOOR UNIT	2'-0"	L	1
2-4 DOOR UNIT	2'-4"	L	1
2-6 DOOR UNIT	2'-6"	L	1
2-8 DOOR UNIT	2'-8"	R	1
28X32 Single	2'-8" x 3'-0"	N	1
28X52 Single	2'-8" x 5'-0"	N	2
20x32 single	2'-0" x 3'-2"	N	1
28x52 single	2'-8" x 5'-2"	N	5
8X8 GLASS BLOCK	4'-0" x 4'-0"	N	1

### Areas

First Floor	1460
Second Floor	853
=====	
Total Heated	2313
Garage	501
Porch	125

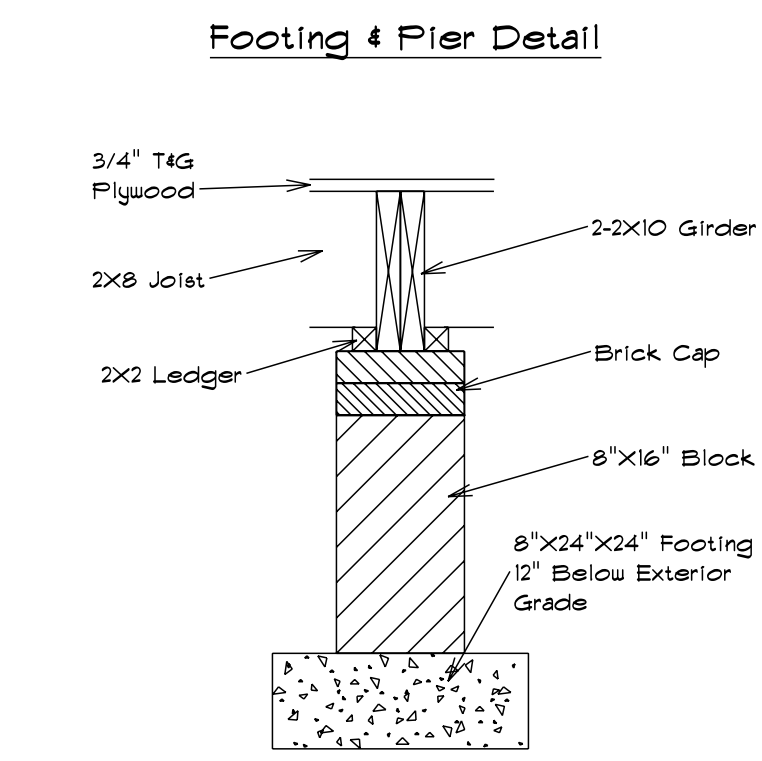
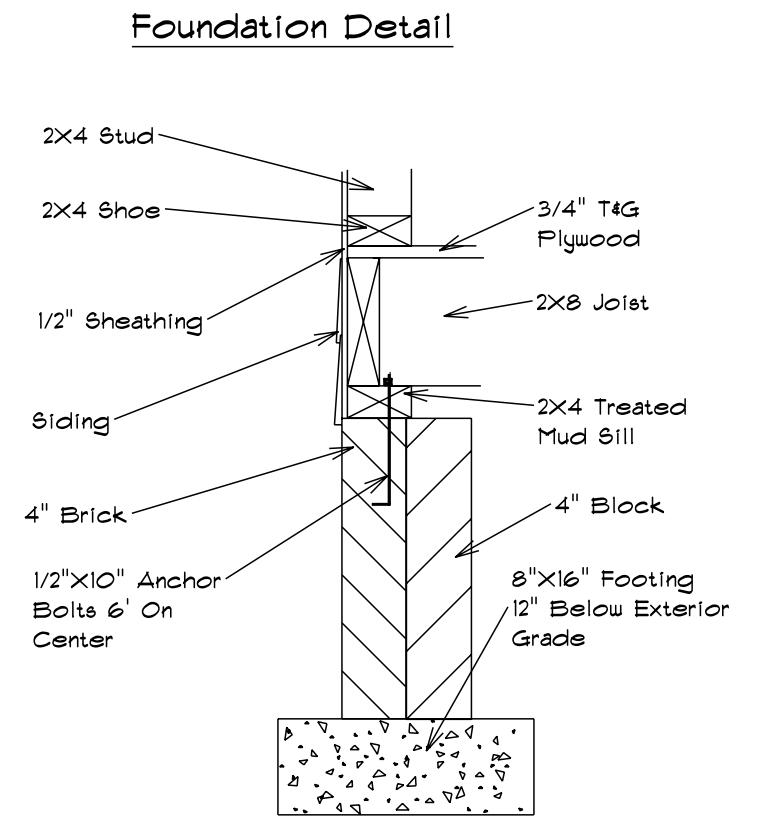
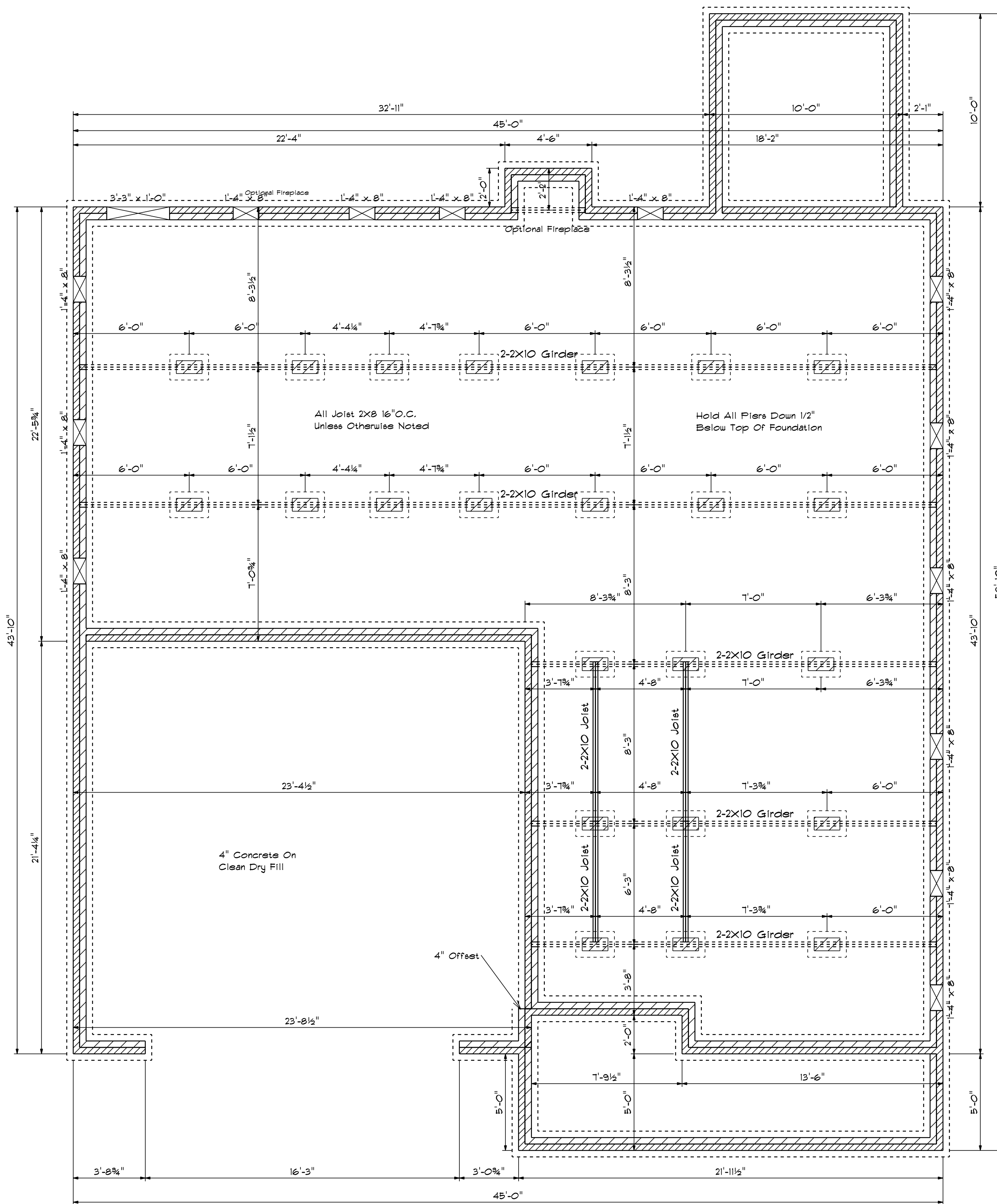
**First Floor Plan**  
Scale: 1/4" = 1'-0"



Second Floor Plan

Second Floor Openings

OPENING SCHEDULE			
PRODUCT CODE	SIZE	HINGE	COUNT
1-6 Door Unit	1'-6"	L	1
2-0 Door Unit	2'-0"	L	1
2-6 Door Unit	2'-6"	R	2
2-6 Door Unit	2'-6"	L	1
3-0 Doublehung Door Unit	3'-0"	LR	2
4-0 Doublehung Door Unit	4'-0"	LR	1
2-4 Door Unit	2'-4"	R	1
2-0X2-0 Twin	4'-0" x 2'-0"	NA	1
2-8X5-2 Single	2'-8" x 5'-2"	N	1
2-8X5-2 Twin	5'-4" x 5'-2"	NA	2



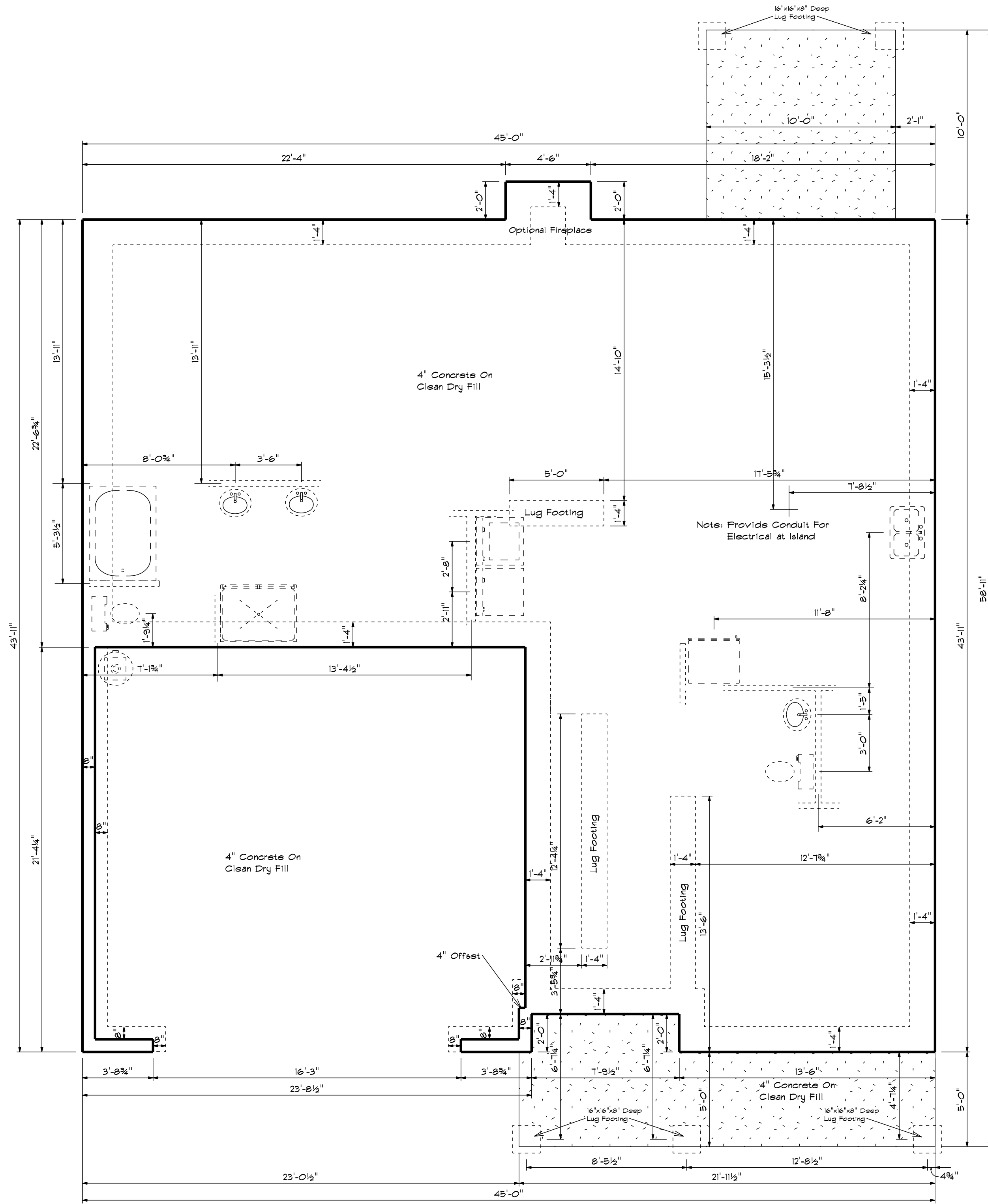
**FOUNDATION VENTILATION**

1425 Sq.Ft. Foundation Area  
 Requires 9.5 Sq.Ft. Ventilation.  
 With 6 Mil. Poly, Plans Indicate  
 Vents For Adequate Cross  
 Ventilation.

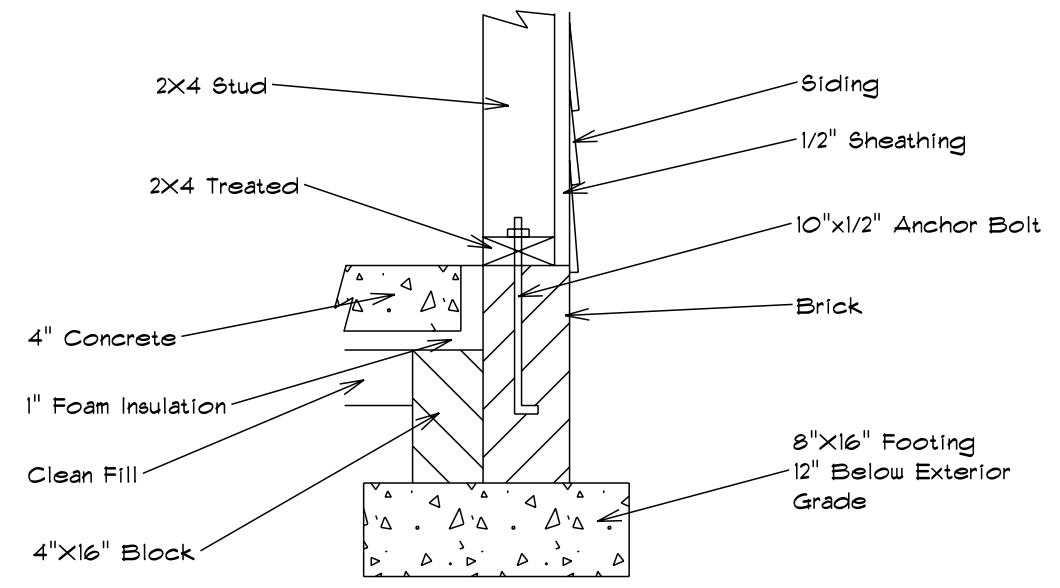
**Foundation Plan**  
 Scale: 1/4" = 1'-0"

DATE	
REVISED	
DRAWING*	

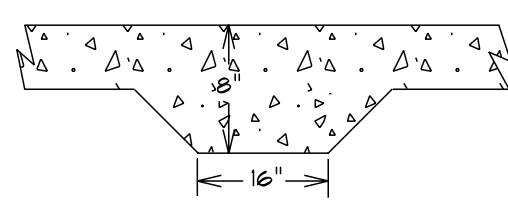
SCALE	1/4"
DRAWN BY	
APPROVED	



**Foundation Detail**  
**Siding**

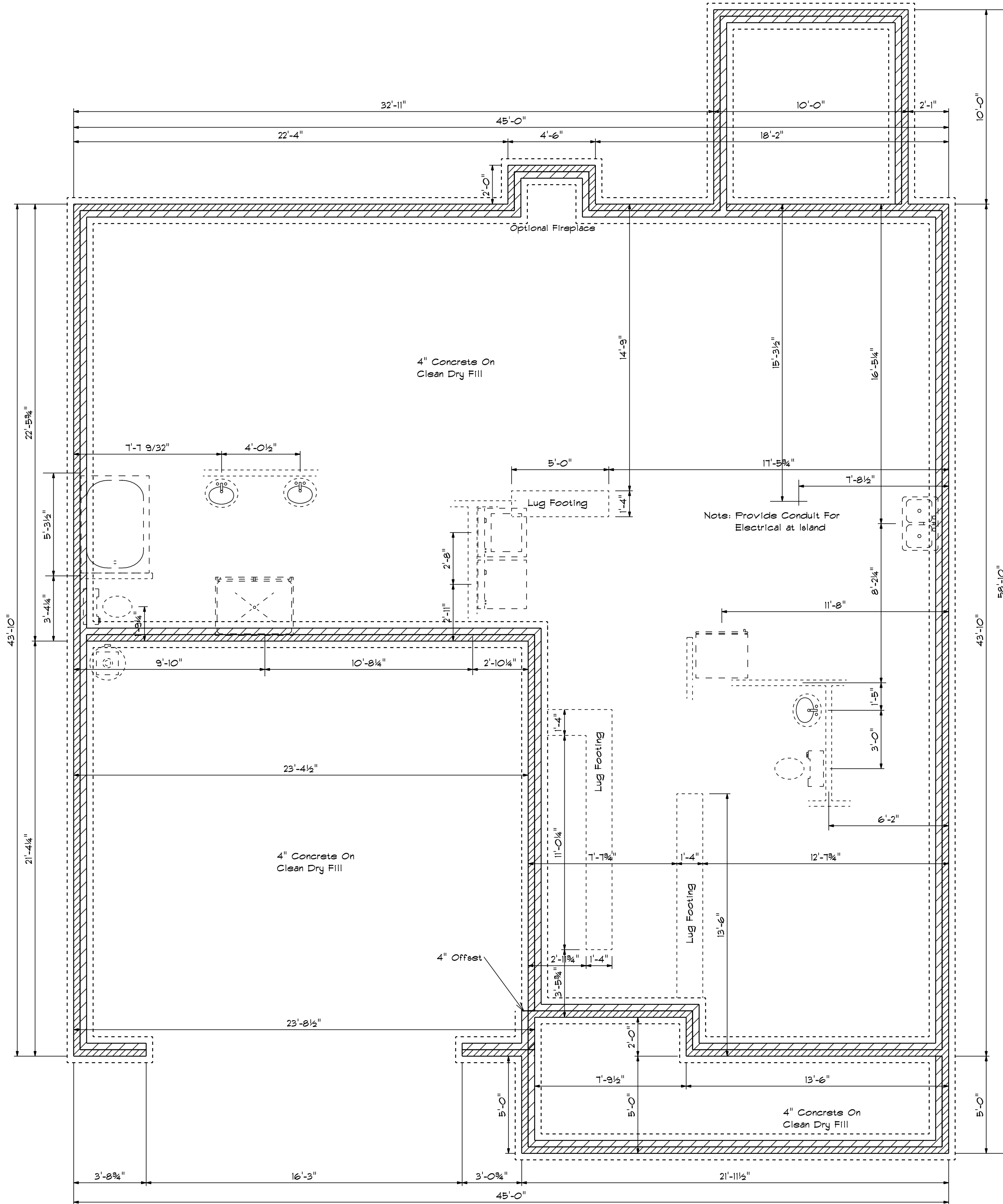


**Lug Footing Detail**

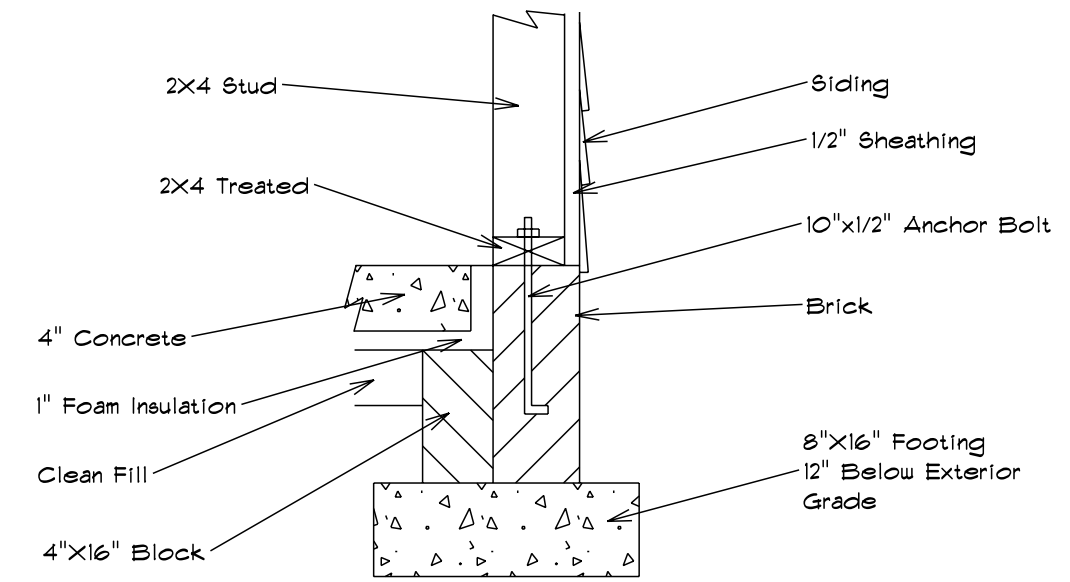


DATE	
REVISED	
DRAWING*	

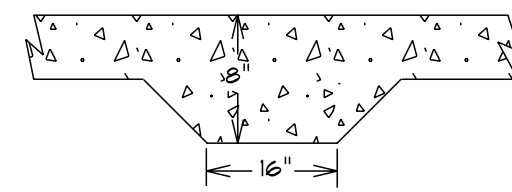
SCALE 1/4"	
DRAWN BY	
APPROVED	



**Foundation Detail  
Siding**



**Lug Footing Detail**



**Foundation Plan**

Scale: 1/4" = 1'-0"