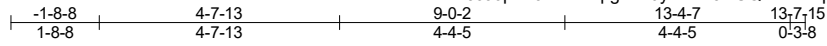


Job	Truss	Truss Type	Qty	Ply	Whittenton Bldrs/Register
26815	CJ1	Diagonal Hip Girder	1	1	

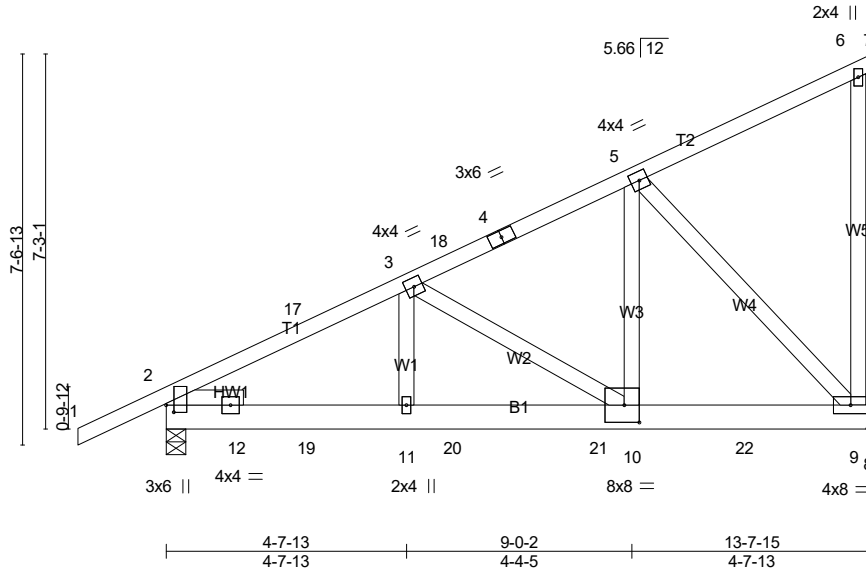
C&R Building Supply, Autryville NC

8.430 s Jan 20 2021 MiTek Industries, Inc. Fri Jul 29 10:59:52 2022 Page 1

ID:m3JJ6pNkJbuT4FqrgLho0yzifBs-3BGQWFwScpUNY8mVKbfe?ImADI_Lk?O577ph2jytEkl



Scale = 1:44.6



Overall Truss Height: 7-6-13

Plate Offsets (X,Y)-- [2:0-1-10,0-1-13], [10:0-3-8,0-4-0]

Heel to Peak: Left 15-5-10

Overhang Rake Distance: Left 1-10-11, Right 0-0-0

Qty: 1 Span: 13-7-15 Slope: 5.66/12, 0.00/12 Overhang: 1-8-8, 0-0-0 Loading: 20.0-10.0-0.0-10.0 Spacing: 2-0-0 o.c. Weight: 95 lb Board Feet: 44.67bft Last saved: July 29, 2022

====<<< CHORDS >>>====(Sq.Cut=0)

0.0		25.2
(1) T1	OL:9-1-9 CL:9-0-12 LS:9-1-9	
(1) T2	OL:8-0-0 CL:7-11-3 LS:8-0-0	
PIECE: B1		Qty. 1
0.0		0.0
OL:13-7-15	CL:13-7-15 LS:13-7-15	

====<<< WEBS >>>====(Sq.Cut=0)

0.0		25.2
(1) W5	OL:6-4-15 CL:6-4-2 LS:6-4-15	
(1) W3	OL:4-4-3 CL:4-3-6 LS:4-4-3	
(1) W1	OL:2-3-8 CL:2-2-11 LS:2-3-8	
PIECE: W4		Qty. 1
18.0		46.8
46.8		43.2
OL:5-11-10	CL:5-11-10 LS:5-9-3	
PIECE: W2		Qty. 1
29.4		35.4
60.6		29.4
OL:4-8-1	CL:4-8-1 LS:4-5-13	

====<<< OTHERS >>>====(Sq.Cut=0)

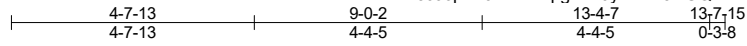
PIECE: HW1		Qty. 1
0.0		64.8
OL:1-6-0	CL:1-3-1 LS:1-6-0 PL:1-6-0	0.0
SCARF: 0-7-5		0-0-6

Job	Truss	Truss Type	Qty	Ply	Whittenton Bldrs/Register
26815	CJ2	Diagonal Hip Girder	1	1	

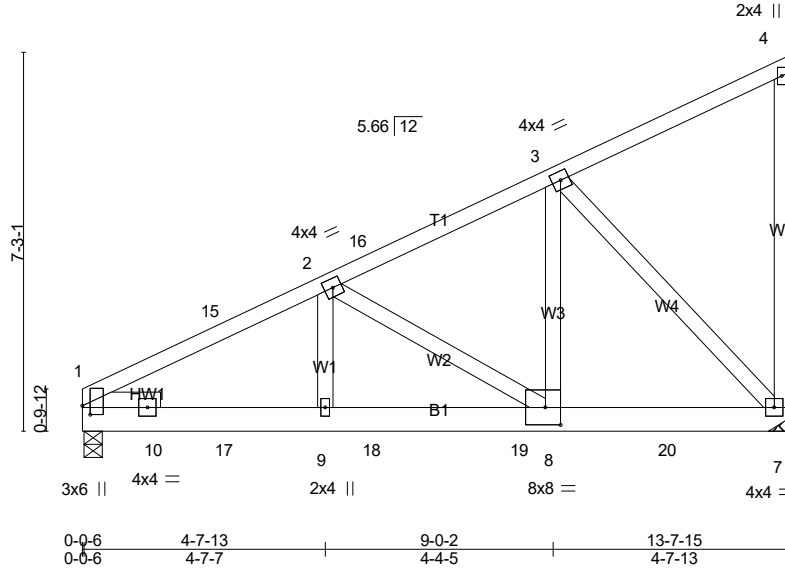
C&R Building Supply, Autryville NC

8.430 s Jan 20 2021 MiTek Industries, Inc. Fri Jul 29 10:59:52 2022 Page 1

ID:m3JJ6pNkJbuT4FrgLho0yzifBs-3BGQWFwScpUNY8mVKbfe?ImADlzCk??577ph2jytEkL



Scale = 1:44.1



Overall Truss Height: 7-3-1

Plate Offsets (X,Y)-- [1:0-2-0,0-1-13], [8:0-3-8,0-4-0]

Heel to Peak: Left 15-5-10

Overhang Rake Distance: Left 0-0-0, Right 0-0-0

Qty: 1 Span: 13-7-15 Slope: 5.66/12, 0.00/12 Overhang: 0-0-0, 0-0-0 Loading: 20.0-10.0-0.0-10.0 Spacing: 2-0-0 o.c. Weight: 92 lb Board Feet: 43.33bft Last saved: July 29, 2022

====<<< CHORDS >>>====(Sq.Cut=0)

PIECE: T1	Qty. 1
25.2	25.2
2x4 No.2 SP - 16'	
OL:15-2-15	CL:15-1-4 LS:15-1-4
PIECE: B1	Qty. 1
0.0	0.0
2x6 No.1 SP - 14'	
OL:13-7-15	CL:13-7-15 LS:13-7-15

====<<< WEBS >>>====(Sq.Cut=0)

0.0	25.2
2x4 No.3 SP-	
(1) W5	OL:6-4-15 CL:6-4-2 LS:6-4-15
(1) W3	OL:4-4-3 CL:4-3-6 LS:4-4-3
(1) W1	OL:2-3-8 CL:2-2-11 LS:2-3-8
PIECE: W4	Qty. 1
18.0	46.8
2x4 No.3 SP - 6'	
OL:5-11-10	CL:5-11-10 LS:5-9-3
PIECE: W2	Qty. 1
29.4	35.4
2x4 No.3 SP - 5'	
OL:4-8-1	CL:4-8-1 LS:4-5-13

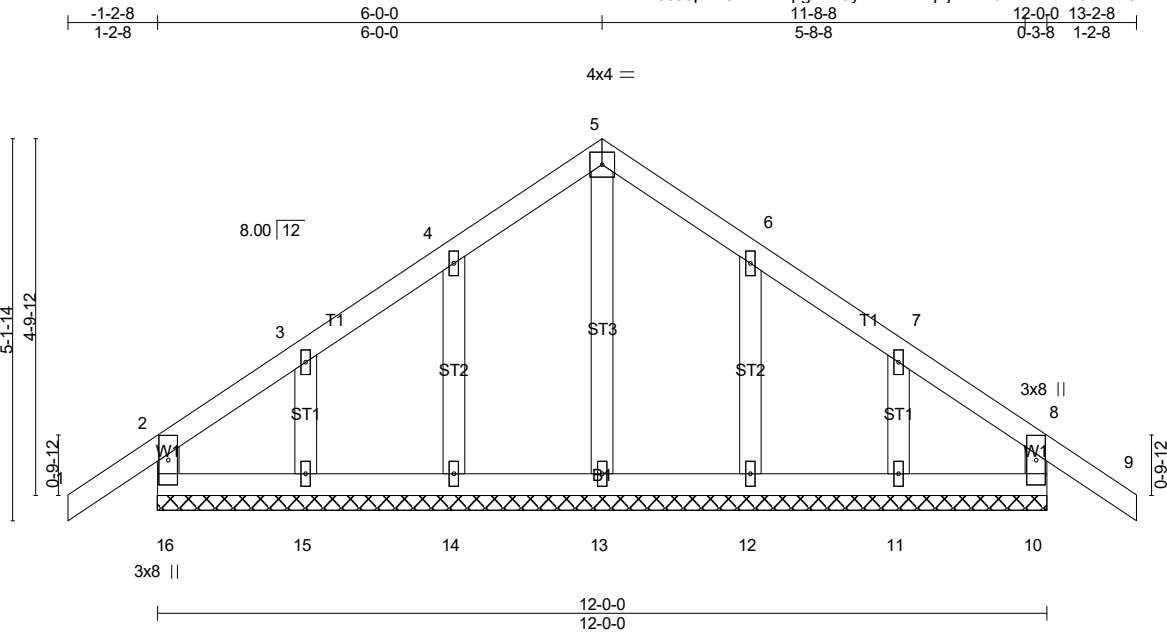
====<<< OTHERS >>>====(Sq.Cut=0)

PIECE: HW1	Qty. 1
0.0	64.8
2x4 No.3 SP - 2'	
OL:1-6-0	CL:1-3-1 LS:1-6-0 PL:1-6-0
SCARF: 0-7-5	0-3-2 0-0-6

Job 26815	Truss G1	Truss Type Common Supported Gable	Qty 1	Ply 1	Whittenton Bldrs/Register
--------------	-------------	--------------------------------------	----------	----------	---------------------------

C&R Building Supply, Autryville NC

8.430 s Jan 20 2021 MiTek Industries, Inc. Fri Jul 29 10:59:53 2022 Page 1
ID:m3JJ6pNkJbuT4FqrgLho0yziFBs-XNqojbx4N6cEAKhuJAAtYVJPAhQ4TgHFmMZEa9ytEkK



Scale = 1:31.1

Overall Truss Height: 5-1-14

Heel to Peak: 7-8-5

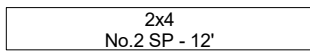
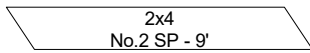
Overhang Rake Distance: Left 1-5-7, Right 1-5-7

Qty: 1 Span: 12-0-0 Slope: 8.00/12, 0.00/12 Overhang: 1-2-8, 1-2-8 Loading: 20.0-10.0-0.0-10.0 Spacing: 2-0-0 o.c. Weight: 65 lb Board Feet: 31.33bft Last saved: July 29, 2022

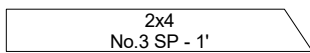
NOTES-

1) All plates are 1.5x4 MT20 unless otherwise indicated.

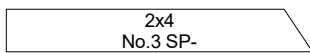
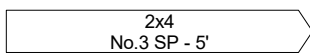
====<<<< CHORDS >>>>====(Sq.Cut=0)

PIECE: B1 0.0		Qty. 1 0.0
OL:12-0-0	CL:12-0-0	LS:12-0-0
PIECE: T1, T1		Qty. 2 33.7
OL:8-10-5	CL:8-7-15	LS:8-7-15

====<<<< WEBS >>>>====(Sq.Cut=0)

PIECE: W1, W1 0.0		Qty. 2 33.7
OL:0-4-6	CL:0-3-3	LS:0-4-6

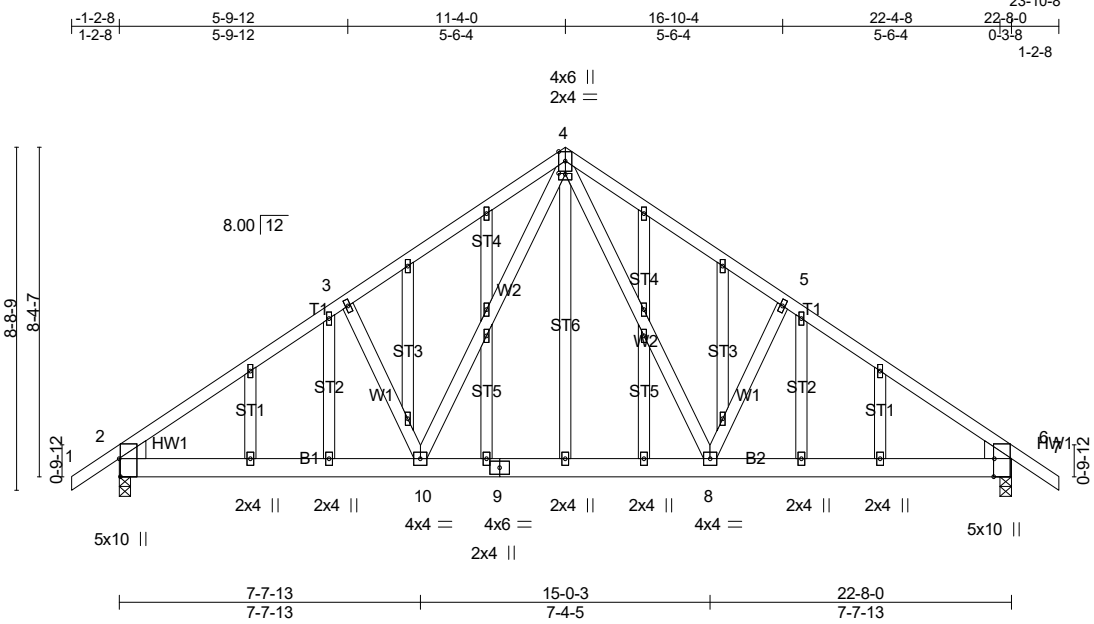
====<<<< OTHERS >>>>====(Sq.Cut=0)

0.0		33.7	
(2) ST2	OL:2-11-3	CL:2-10-1	LS:2-11-3
(2) ST1	OL:1-7-3	CL:1-6-1	LS:1-7-3
PIECE: ST3 0.0		Qty. 1 33.7	
OL:4-2-1	CL:4-2-1	LS:4-0-14	

Job	Truss	Truss Type	Qty	Ply	Whittenton Bldrs/Register
26815	G2	GABLE	1	1	

C&R Building Supply, Autryville NC

8.430 s Jan 20 2021 MiTek Industries, Inc. Fri Jul 29 10:59:54 2022 Page 1
 ID:m3JJ6pNkJbuT4FqrgLho0yzifBs-?aNAXxxj8Qk5oRvtS0h64jraa5jtC43ObQlo6bytEKj



Scale = 1:58.5

Overall Truss Height: 8-8-9

Plate Offsets (X,Y)-- [2:0-5-8,Edge], [4:0-2-0,0-0-4], [6:0-5-8,Edge]

Heel to Peak: 14-1-1

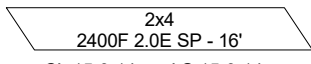
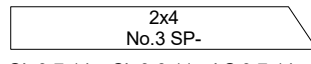
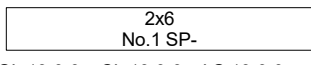
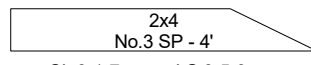
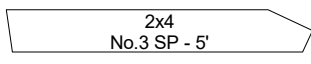
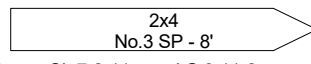
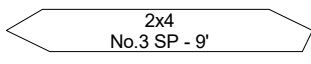
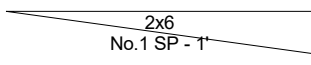
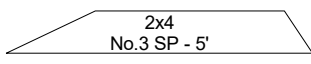
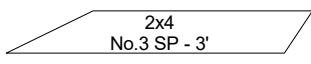
Overhang Rake Distance: Left 1-5-6, Right 1-5-6

Qty: 1 Span: 22-8-0 Slope: 8.00/12, 0.00/12 Overhang: 1-2-8, 1-2-8 Loading: 20.0-10.0-0.0-10.0 Spacing: 2-0-0 o.c. Weight: 199 lb Board Feet: 95.67bft Last saved: July 29, 2022

NOTES-

1) All plates are 1.5x4 MT20 unless otherwise indicated.

====<<<< CHORDS >>>>====(Sq.Cut=0)

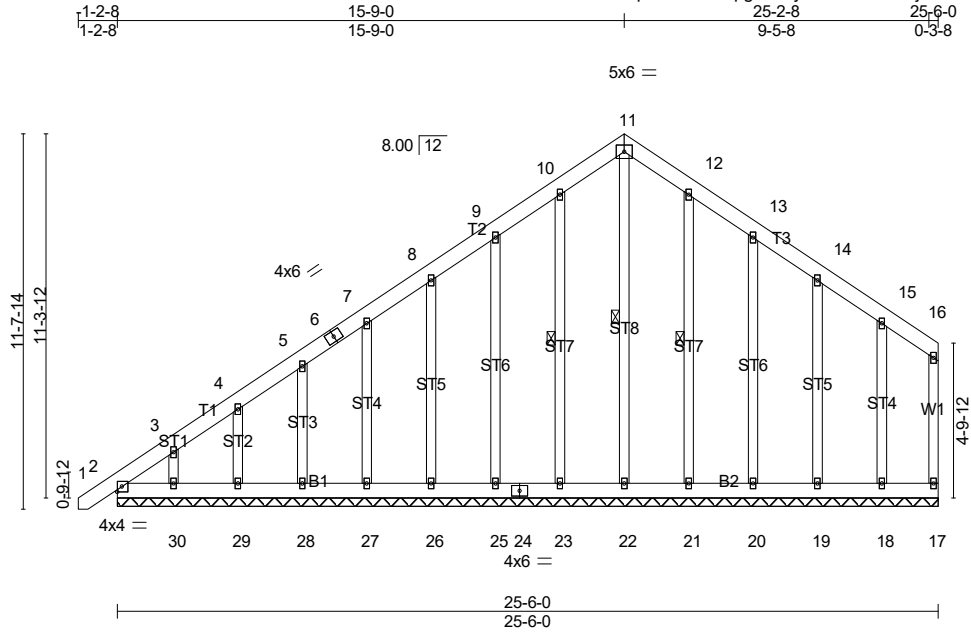
PIECE: T1, T1 Qty. 2  2x4 2400F 2.0E SP - 16' OL:15-3-3 CL:15-0-14 LS:15-0-14 33.7 33.7	0.0  2x4 No.3 SP- (2) ST2 OL:3-7-14 CL:3-6-11 LS:3-7-14 (2) ST1 OL:2-3-14 CL:2-2-11 LS:2-3-14 33.7
0.0  2x6 No.1 SP- (1) B2 OL:13-0-0 CL:13-0-0 LS:13-0-0 (1) B1 OL:9-8-0 CL:9-8-0 LS:9-8-0 0.0 0.0	PIECE: ST5, ST5 Qty. 2  2x4 No.3 SP - 4' OL:3-5-0 CL:3-1-7 LS:3-5-0 0.0 64.0
PIECE: W1, W1 Qty. 2  2x4 No.3 SP - 5' OL:4-3-12 CL:4-3-8 LS:4-2-7 8.3 25.4	PIECE: ST6 Qty. 1  2x4 No.3 SP - 8' OL:7-2-11 CL:7-2-11 LS:6-11-2 0.0 64.0
PIECE: W2, W2 Qty. 2  2x4 No.3 SP - 9' OL:8-4-14 CL:8-4-14 LS:8-0-7 59.7 26.0	
PIECE: HW1, HW1 Qty. 2  2x6 No.1 SP - 1' OL:0-8-4 CL:0-4-2 LS:0-8-4 56.3 0.0	
PIECE: ST3, ST3 Qty. 2  2x4 No.3 SP - 5' OL:4-3-6 CL:3-10-9 LS:4-3-6 64.6 33.7	
PIECE: ST4, ST4 Qty. 2  2x4 No.3 SP - 3' OL:2-10-1 CL:2-5-5 LS:2-7-12 64.0 33.7	

====<<<< OTHERS >>>>====(Sq.Cut=0)

Job	Truss	Truss Type	Qty	Ply	Whittenton Bldrs/Register
26815	G3	GABLE	1	1	

C&R Building Supply, Autryville NC

8.430 s Jan 20 2021 MiTek Industries, Inc. Fri Jul 29 10:59:54 2022 Page 1
 ID:m3JJ6pNkJbuT4FqrgLho0yzifBs-?aNAXxxj8Qk5oRvtS0h64jrag5mUC5rObQlo6bytEKj



Scale = 1:71.6

Overall Truss Height: 11-7-14

Heel to Peak: Left 19-4-11, Right 14-11-3

Overhang Rake Distance: Left 1-1-1, Right 0-0-0

Qty: 1 Span: 25-6-0 Slope: 8.00/12, 0.00/12 Overhang: 1-2-8, 0-0-0 Loading: 20.0-10.0-0.0-10.0 Spacing: 2-0-0 o.c. Weight: 252 lb Board Feet: 117.33bft Last saved: July 29, 2022

NOTES-

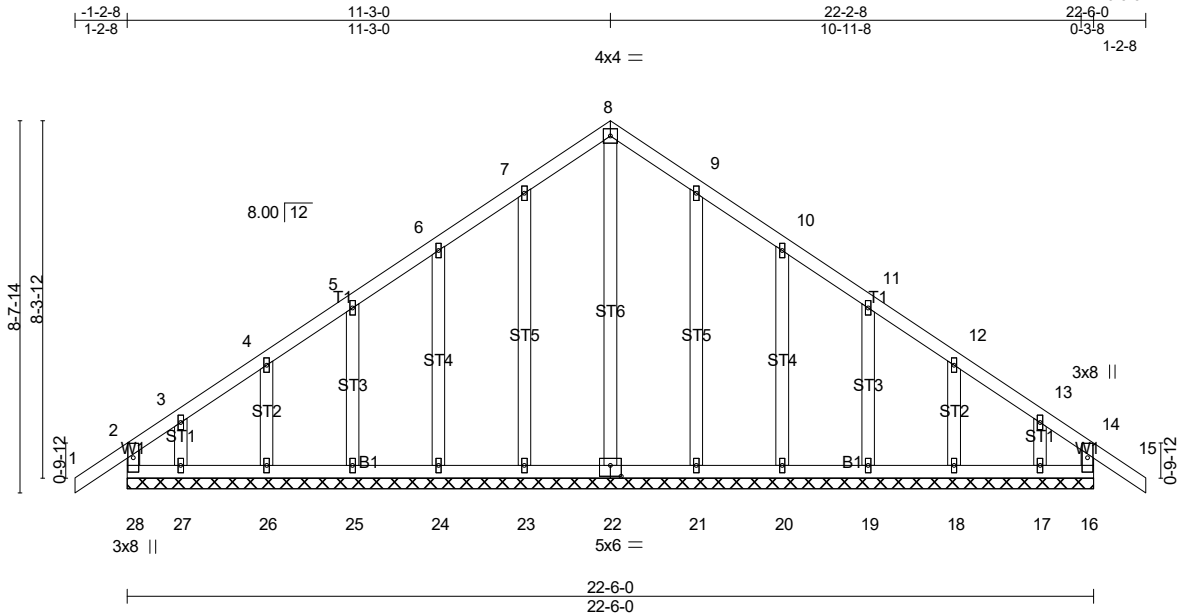
1) All plates are 2x4 MT20 unless otherwise indicated.

====<<<< CHORDS >>>>====(Sq.Cut=0)		====<<<< WEBS >>>>====(Sq.Cut=0)	
PIECE: B2 0.0	Qty. 1 0.0	PIECE: W1 0.0	Qty. 1 33.7
OL:13-0-0 CL:13-0-0 LS:13-0-0		OL:4-0-0 CL:3-10-13 LS:4-0-0	
PIECE: T2 0.0	Qty. 1 33.7	====<<<< OTHERS >>>>====(Sq.Cut=0)	
		0.0	
OL:11-0-0 CL:10-10-3 LS:11-0-0		(2) ST7 OL:9-0-13 CL:8-11-10 LS:9-0-13 (2) ST6 OL:7-8-13 CL:7-7-10 LS:7-8-13 (2) ST5 OL:6-4-13 CL:6-3-10 LS:6-4-13 (2) ST4 OL:5-0-13 CL:4-11-10 LS:5-0-13 (1) ST3 OL:3-8-13 CL:3-7-10 LS:3-8-13 (1) ST2 OL:2-4-13 CL:2-3-10 LS:2-4-13 (1) ST1 OL:1-0-13 CL:0-11-10 LS:1-0-13	
PIECE: T3 33.7	Qty. 1 33.7	PIECE: ST8 0.0	
OL:12-0-5 CL:11-8-10 LS:11-8-10		OL:10-3-10 CL:10-3-10 LS:10-2-8	
PIECE: T1 0.0	Qty. 1 33.7		
OL:9-6-14 CL:9-6-7 LS:9-4-9 PL:9-8-4			
SCARF: 0-4-3			
PIECE: B1 0.0	Qty. 1 56.3		
OL:12-6-0 CL:12-6-0 LS:12-6-0 PL:12-6-0			
SCARF: 0-4-4			

Job	Truss	Truss Type	Qty	Ply	Whittenton Bldrs/Register
26815	G4	Common Supported Gable	1	1	

C&R Building Supply, Autryville NC

8.430 s Jan 20 2021 MiTek Industries, Inc. Fri Jul 29 10:59:56 2022 Page 1
 ID:m3JJ6pNkJbuT4FqrgLho0yzifBs-xyVxMdzzg1?p1I3GZRjaA8xwPvSPg_oh2knuBUytEkH



Scale = 1:53.6

Overall Truss Height: 8-7-14

Plate Offsets (X,Y)-- [22:0-3-0,0-3-0]

Heel to Peak: 13-11-14

Overhang Rake Distance: Left 1-5-7, Right 1-5-7

Qty: 1 Span: 22-6-0 Slope: 8.00/12, 0.00/12 Overhang: 1-2-8, 1-2-8 Loading: 20.0-10.0-0.0-10.0 Spacing: 2-0-0 o.c. Weight: 147 lb Board Feet: 73.33bft Last saved: July 29, 2022

NOTES-

1) All plates are 1.5x4 MT20 unless otherwise indicated.

====<<< CHORDS >>>====(Sq.Cut=0)

PIECE: B1, B1	Qty. 2
0.0	0.0
2x4 No.2 SP - 12'	
OL:11-3-0	CL:11-3-0 LS:11-3-0
PIECE: T1, T1	Qty. 2
33.7	33.7
2x4 No.2 SP - 16'	
OL:15-2-0	CL:14-11-11 LS:14-11-11

====<<< WEBS >>>====(Sq.Cut=0)

PIECE: W1, W1	Qty. 2
0.0	33.7
2x4 No.3 SP - 1'	
OL:0-4-6	CL:0-3-3 LS:0-4-6

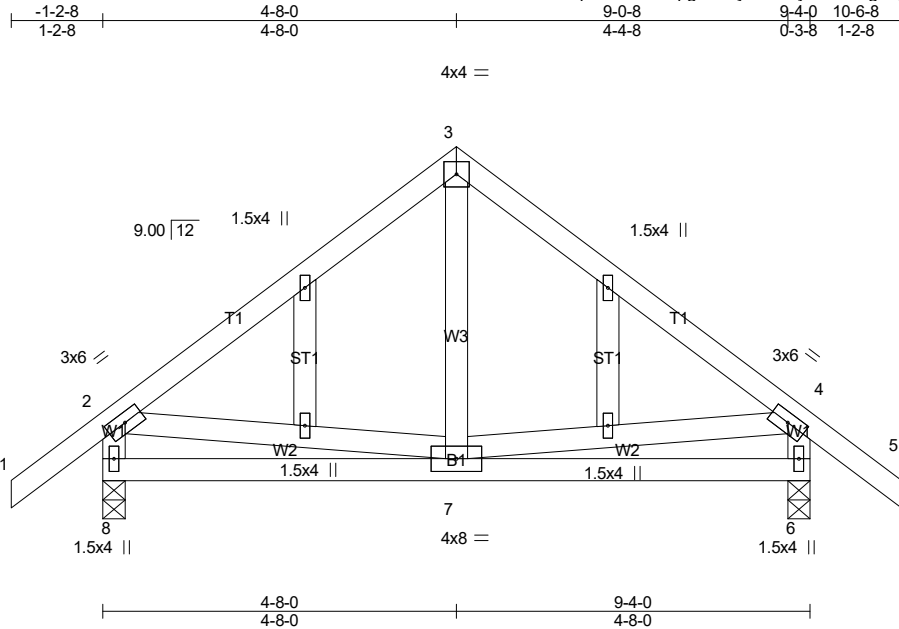
====<<< OTHERS >>>====(Sq.Cut=0)

0.0	33.7
2x4 No.3 SP-	
(2) ST5	OL:6-5-3 CL:6-4-1 LS:6-5-3
(2) ST4	OL:5-1-3 CL:5-0-1 LS:5-1-3
(2) ST3	OL:3-9-3 CL:3-8-1 LS:3-9-3
(2) ST2	OL:2-5-3 CL:2-4-1 LS:2-5-3
(2) ST1	OL:1-1-3 CL:1-0-1 LS:1-1-3
PIECE: ST6	Qty. 1
0.0	33.7
2x4 No.3 SP - 8'	
OL:7-8-1	CL:7-8-1 LS:7-6-14

Job	Truss	Truss Type	Qty	Ply	Whittenton Bldrs/Register
26815	G5	GABLE	1	1	

C&R Building Supply, Autryville NC

8.430 s Jan 20 2021 MiTek Industries, Inc. Fri Jul 29 10:59:56 2022 Page 1
 ID:m3JJ6pNkJbuT4FqrgLho0yzifBs-xyVxMdzzg1?p1I3GZRjaA8xvuvR3g0rh2knuBUytEkH



Scale = 1:30.4

Overall Truss Height: 4-9-4

Heel to Peak: 6-5-1

Overhang Rake Distance: Left 1-6-2, Right 1-6-2

Qty: 1 Span: 9-4-0 Slope: 9.00/12, 0.00/12 Overhang: 1-2-8, 1-2-8 Loading: 20.0-10.0-0.0-10.0 Spacing: 2-0-0 o.c. Weight: 62 lb Board Feet: 30.67bft Last saved: July 29, 2022

====<<<< CHORDS >>>>====(Sq.Cut=0)

PIECE: B1	Qty. 1
0.0	0.0
OL:9-4-0	CL:9-4-0 LS:9-4-0
PIECE: T1, T1	Qty. 2
36.9	36.9
OL:7-6-12	CL:7-4-2 LS:7-4-2

====<<<< WEBS >>>>====(Sq.Cut=0)

PIECE: W1, W1	Qty. 2
0.0	36.9
OL:0-5-11	CL:0-4-6 LS:0-5-11
PIECE: W2, W2	Qty. 2
4.5	48.7
OL:4-3-1	CL:4-2-14 LS:4-2-14
PIECE: W3	Qty. 1
0.0	36.9
OL:3-9-1	CL:3-9-1 LS:3-7-12

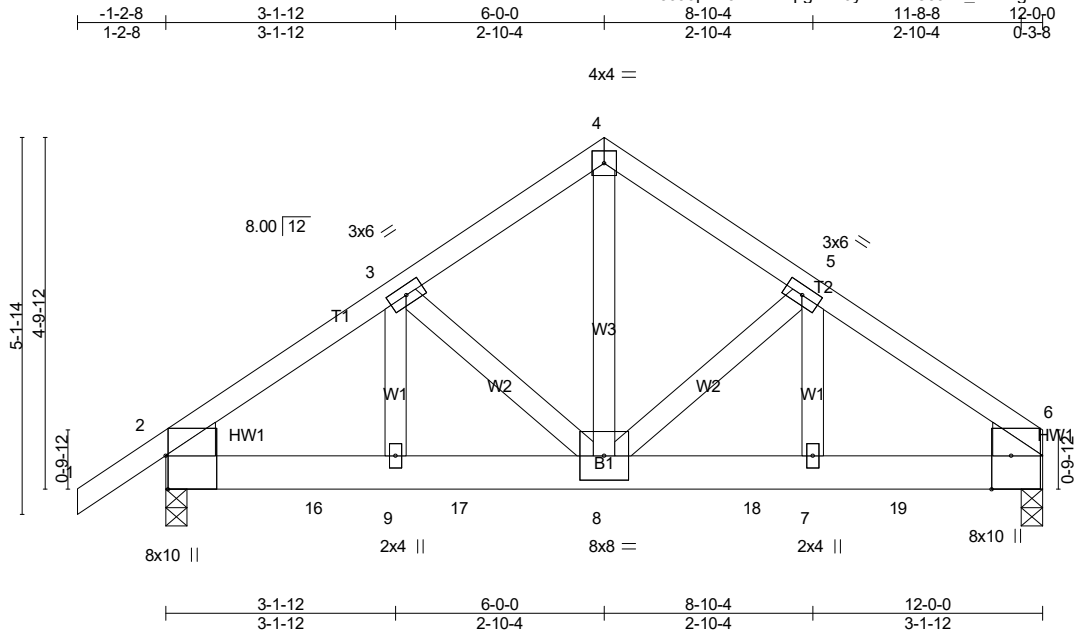
====<<<< OTHERS >>>>====(Sq.Cut=0)

PIECE: ST1, ST1	Qty. 2
36.9	4.5
OL:1-11-5	CL:1-9-13 LS:1-11-5

Job	Truss	Truss Type	Qty	Ply	Whittenton Bldrs/Register
26815	GR1	Common Girder	1	2	

C&R Building Supply, Autryville NC

8.430 s Jan 20 2021 MiTek Industries, Inc. Fri Jul 29 10:59:57 2022 Page 1
 ID:m3JJ6pNkJbuT4FqrgLho0yzifBs-P83JZz_bRL7gfveS78EpiLT3iJhPKrrHOXSjwytEkG



Scale = 1:31.5

Overall Truss Height: 5-1-14

Plate Offsets (X,Y)-- [2:0-5-8,Edge], [6:0-5-8,Edge]

Heel to Peak: 7-8-5

Overhang Rake Distance: Left 1-5-6, Right 0-0-0

Qty: 2 Span: 12-0-0 Slope: 8.00/12, 0.00/12 Overhang: 1-2-8, 0-0-0 Loading: 20.0-10.0-0-0-10.0 Spacing: 2-0-0 o.c. Weight: 156 lb Board Feet: 76.00bft Last saved: July 29, 2022

====<<< CHORDS >>>====(Sq.Cut=0)

		33.7
(2) T1	OL:8-10-5 CL:8-7-15 LS:8-7-15	
(2) T2	OL:7-4-14 CL:7-2-9 LS:7-2-9	
PIECE: B1		Qty. 2
		0.0
OL:12-0-0	CL:12-0-0 LS:12-0-0	

====<<< WEBS >>>====(Sq.Cut=0)

		33.7
OL:2-2-6	CL:2-1-3 LS:2-2-6	
PIECE: W1, W1		Qty. 4
		33.7
OL:4-0-1	CL:4-0-1 LS:3-10-14	
PIECE: W3		Qty. 2
		40.6
OL:3-4-8	CL:3-4-8 LS:3-2-8	49.4
PIECE: W2, W2		Qty. 4

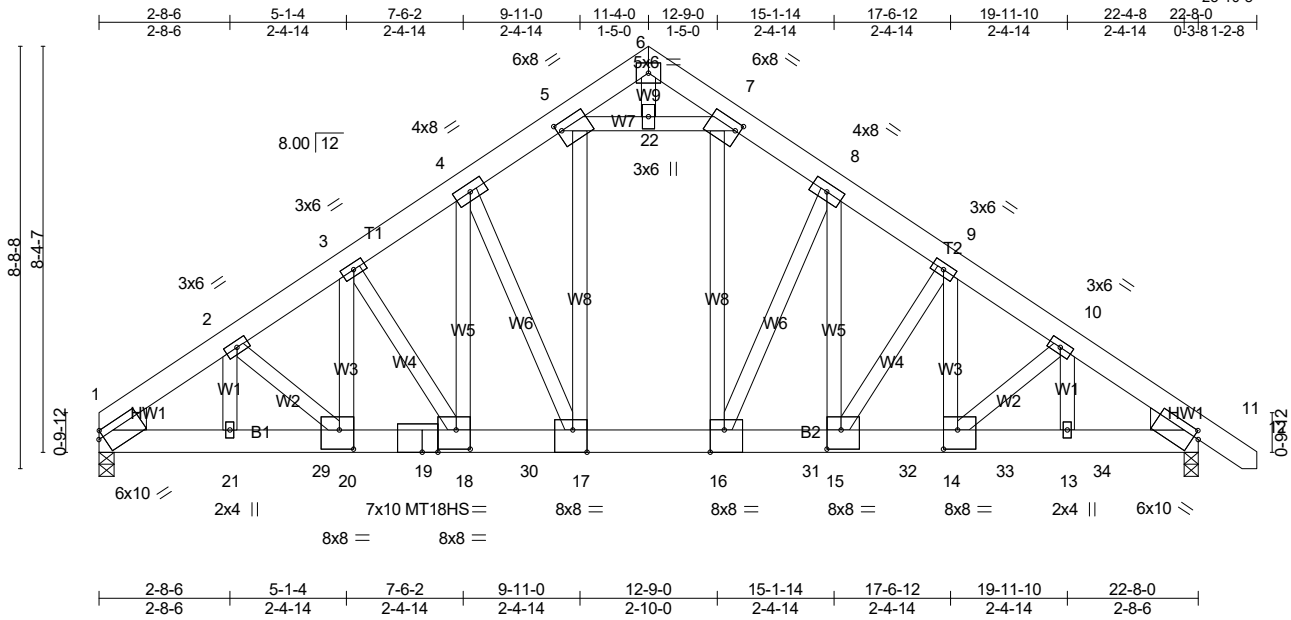
====<<< OTHERS >>>====(Sq.Cut=0)

		0.0
OL:0-8-4	CL:0-4-2 LS:0-8-4	
PIECE: HW1, HW1		Qty. 4

Job 26815	Truss GR2	Truss Type COMMON GIRDER	Qty 1	Ply 2	Whittenton Bldrs/Register
--------------	--------------	-----------------------------	----------	----------	---------------------------

C&R Building Supply, Autryville NC

8.430 s Jan 20 2021 MiTek Industries, Inc. Fri Jul 29 10:59:58 2022 Page 1
ID:m3JJ6pNkJbuT4FqrgLho0yzifBs-tLdhnJ_DCeFXG3Dehsl2FZ0Dgi0i8ir_W2G?GNytEkF
23-10-8



Scale = 1:47.5

Overall Truss Height: 8-8-8

Plate Offsets (X,Y)-- [1:0-1-4,0-1-13], [5:0-1-2,0-2-0], [7:0-1-2,0-2-0], [11:0-1-4,0-1-13], [14:0-3-8,0-4-12], [15:0-3-8,0-4-12], [16:0-3-8,Edge], [17:0-3-8,Edge], [18:0-3-8,0-4-12], [19:0-3-14,0-0-0], [20:0-3-8,0-4-12]

Heel to Peak: 14-1-1

Overhang Rake Distance: Left 0-0-0, Right 1-1-1

Qty: 2 Span: 22-8-0 Slope: 8.00/12, 0.00/12 Overhang: 0-0-0, 1-2-8 Loading: 20.0-10.0-0-0-10.0 Spacing: 1-4-0 o.c. Camber: 1/8 in Weight: 429 lb Board Feet: 199.33bft Last saved: July 29, 2022

====<<<< CHORDS >>>>====(Sq.Cut=0)

PIECE: T1 Qty: 2 33.7 2x6 2400F 2.0E SP - 14' OL:13-11-2 CL:13-7-7 LS:13-7-7	0.0 2x4 No.3 SP- 33.7
0.0 2x6 2400F 2.0E SP- 56.3 (2) B2 OL:16-0-0 CL:16-0-0 LS:16-0-0 PL:16-0-0 (2) B1 OL:6-8-0 CL:6-8-0 LS:6-8-0 PL:6-8-0	(4) W5 OL:4-10-14 CL:4-9-12 LS:4-10-14 (4) W3 OL:3-3-10 CL:3-2-8 LS:3-3-10 (4) W1 OL:1-8-7 CL:1-7-4 LS:1-8-7
SCARF: 0-4-4 0-3-9 0-2-6 0-3-2	PIECE: W9 Qty: 2 0.0 2x4 No.3 SP - 1' 33.7
PIECE: T2 Qty: 2 33.7 2x6 2400F 2.0E SP - 16' OL:15-3-3 CL:15-0-14 LS:15-0-14 PL:15-0-14 0-2-5 0-3-8 0-2-0	PIECE: W2, W2 Qty: 4 17.5 2x4 No.3 SP - 3' 38.8
SCARF: 0-4-3 0-3-0	PIECE: W4, W4 Qty: 4 178.9 2x4 No.3 SP - 4' 57.4
====<<<< WEBS >>>>====(Sq.Cut=0)	PIECE: W6, W6 Qty: 4 169.6 2x4 No.3 SP - 6' 66.7
PIECE: W7 Qty: 2 56.3 2x4 No.3 SP - 4' OL:3-6-15 CL:3-1-11 LS:3-6-15	====<<<< OTHERS >>>>====(Sq.Cut=0)
PIECE: W8, W8 Qty: 4 0.0 2x4 No.3 SP - 7' OL:6-2-0 CL:6-2-0 LS:6-2-0	PIECE: HW1, HW1 Qty: 4 0.0 2x6 No.1 SP - 1' 56.3

Job	Truss	Truss Type	Qty	Ply	Whittenton Bldrs/Register
26815	H1	Half Hip Girder	1	2	

C&R Building Supply, Autryville NC

8.430 s Jan 20 2021 MiTek Industries, Inc. Fri Jul 29 11:00:00 2022 Page 1
 ID:m3JJ6pNkJbuT4FqrgLho0yzifBs-qjIRB_0TjGVEWMN1oHoWK_5QjWfVcclHzMI6KFyEkD

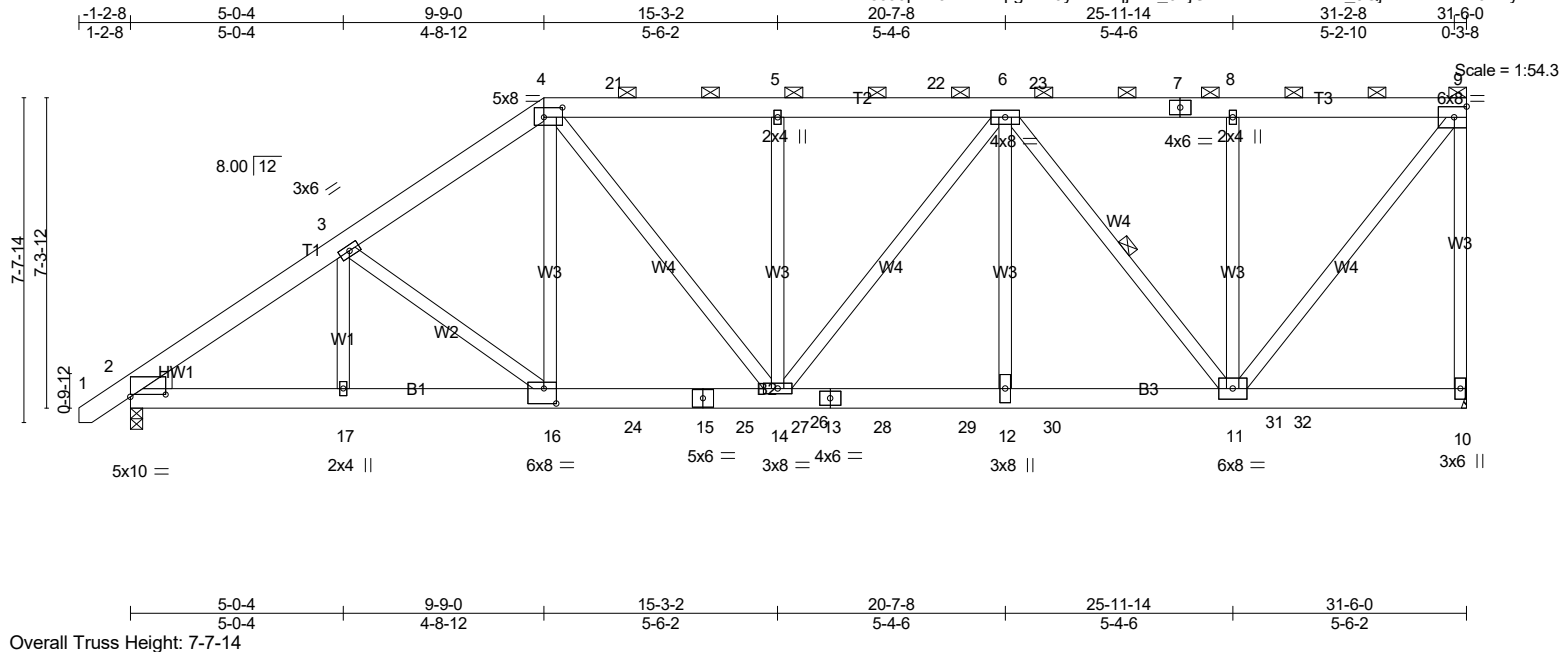


Plate Offsets (X,Y)-- [2:0-10-0,0-0-11], [4:0-5-4,0-2-12], [16:0-3-8,0-4-4]

Heel to Peak: Left 12-2-4

Overhang Rake Distance: Left 1-1-1, Right 0-0-0

Qty: 2 Span: 31-6-0 Slope: 8.00/12, 0.00/12 Overhang: 1-2-8, 0-0-0 Loading: 20.0-10.0-0-0-10.0 Spacing: 2-0-0 o.c. Camber: 1/8 in Weight: 533 lb Board Feet: 246.00bft Last saved: July 29, 2022

====<<<< CHORDS >>>>====(Sq.Cut=0)

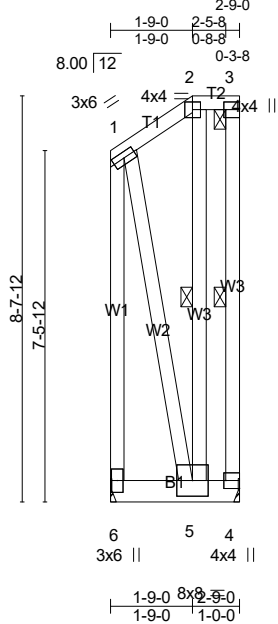
<p>0.0 0.0</p> <p>(4) T2 OL:15-0-0 CL:15-0-0 LS:15-0-0</p> <p>(2) T3 OL:6-9-0 CL:6-9-0 LS:6-9-0</p> <p>(2) B2 OL:3-0-0 CL:3-0-0 LS:3-0-0</p> <p>PIECE: B1 Qty. 2</p> <p>0.0 56.3</p> <p>OL:13-6-0 CL:13-6-0 LS:13-6-0 PL:13-6-0</p> <p>SCARF: 0-4-4</p>	<p>PIECE: W2 Qty. 2</p> <p>21.0 35.3</p> <p>35.3 54.7</p> <p>OL:5-7-7 CL:5-7-7 LS:5-5-8</p> <p>PIECE: W4, W4, W4, W4 Qty. 8</p> <p>38.4 51.6</p> <p>51.6 38.4</p> <p>OL:8-1-15 CL:8-1-15 LS:7-10-6</p> <p>====<<<< OTHERS >>>>====(Sq.Cut=0)</p> <p>PIECE: HW1 Qty. 2</p> <p>56.3 0.0</p> <p>OL:0-8-4 CL:0-4-2 LS:0-8-4</p>
<p>PIECE: T1 Qty. 2</p> <p>33.7 56.3</p> <p>33.7 56.3</p> <p>OL:13-4-6 CL:13-2-1 LS:13-2-1 PL:13-2-1</p> <p>SCARF: 0-4-3</p>	<p>====<<<< WEBS >>>>====(Sq.Cut=0)</p> <p>PIECE: W3, W3, W3, W3 Qty. 10</p> <p>0.0 0.0</p> <p>OL:6-4-12 CL:6-4-12 LS:6-4-12</p> <p>PIECE: W1 Qty. 2</p> <p>0.0 33.7</p> <p>OL:3-3-0 CL:3-1-13 LS:3-3-0</p>

Job	Truss	Truss Type	Qty	Ply	Whittenton Bldrs/Register
26815	H2	Half Hip Girder	1	1	

C&R Building Supply, Autryville NC

8.430 s Jan 20 2021 MiTek Industries, Inc. Fri Jul 29 11:00:00 2022 Page 1

ID:m3JJ6pNkJbuT4FqrgLho0yziBbs-qjiRB_OTjGVEWMN1oHoWK_5RMWlqcisHzMI6KFytEkD



Scale = 1:49.0

Overall Truss Height: 8-7-12

Plate Offsets (X,Y)-- [3:Edge,0-3-8], [4:Edge,0-3-8]

Heel to Peak: Left 8-9-14

Overhang Rake Distance: Left 0-0-0, Right 0-0-0

Qty: 1 Span: 2-9-0 Slope: 8.00/12, 0.00/12 Overhang: 0-0-0, 0-0-0 Loading: 20.0-10.0-0.0-10.0 Spacing: 2-0-0 o.c. Weight: 56 lb Board Feet: 26.33bft Last saved: July 29, 2022

====<<< CHORDS >>>====(Sq.Cut=0)

PIECE: T2	Qty. 1
0.0	0.0
OL:1-0-0	CL:1-0-0 LS:1-0-0
PIECE: T1	Qty. 1
33.7	33.7
OL:2-3-9	CL:2-1-4 LS:2-1-4
PIECE: B1	Qty. 1
0.0	0.0
OL:2-9-0	CL:2-9-0 LS:2-9-0

====<<< WEBS >>>====(Sq.Cut=0)

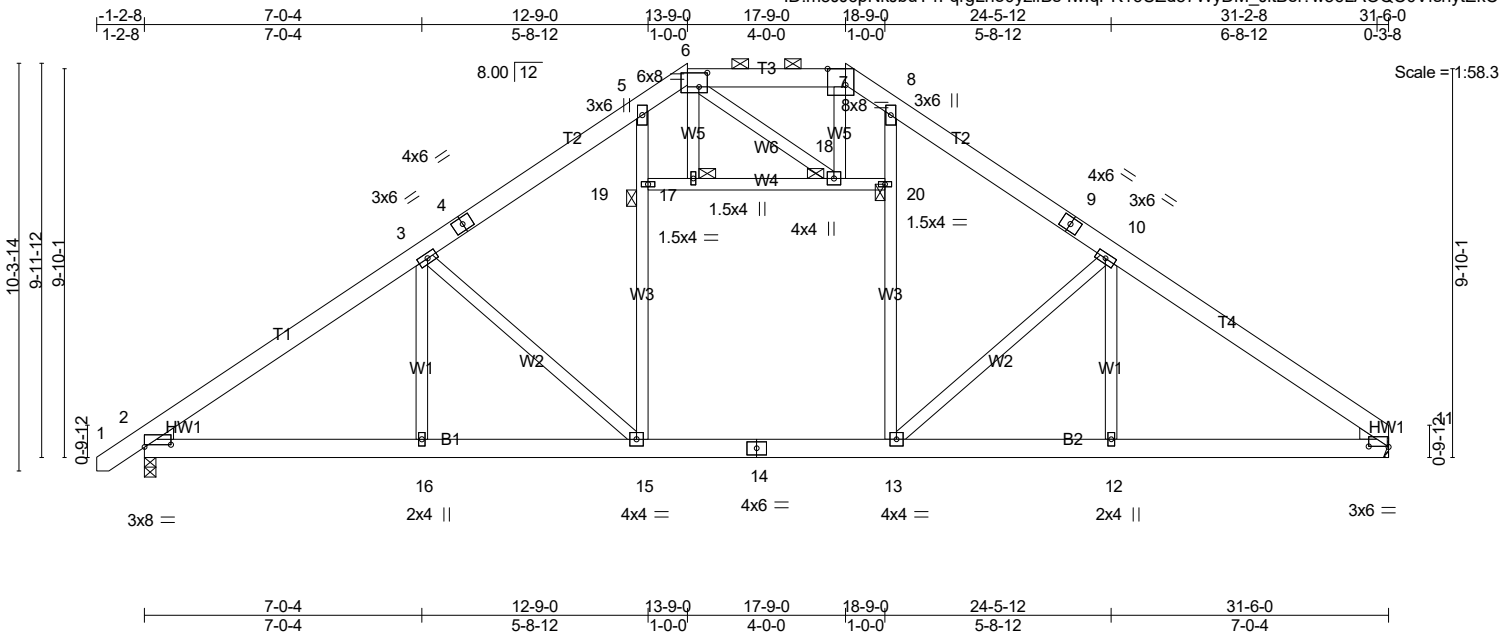
PIECE: W2	Qty. 1
24.1	9.6
OL:7-1-11	CL:7-0-10 LS:7-1-11
PIECE: W3, W3	Qty. 2
0.0	0.0
OL:7-10-12	CL:7-10-12 LS:7-10-12
PIECE: W1	Qty. 1
0.0	33.7
OL:6-10-6	CL:6-9-3 LS:6-10-6

Job	Truss	Truss Type	Qty	Ply	Whittenton Bldrs/Register
26815	HP1	Hip	1	1	

C&R Building Supply, Autryville NC

8.430 s Jan 20 2021 MiTek Industries, Inc. Fri Jul 29 11:00:01 2022 Page 1

ID:m3JJ6pNkJbuT4FqrgLho0yzifBs-lwqPK16UZd57WYDM_JltBel?w56LAOQC0VfshytEkC



Scale = 1:58.3

Overall Truss Height: 10-3-14

Plate Offsets (X,Y)-- [2:0-8-0,0-0-11], [6:0-2-8,0-4-4], [7:0-5-7,Edge], [11:0-6-0,0-0-3]

Heel to Peak: 16-11-14

Overhang Rake Distance: Left 1-1-1, Right 0-0-0

Qty: 1 Span: 31-6-0 Slope: 8.00/12, 0.00/12 Overhang: 1-2-8, 0-0-0 Loading: 20.0-10.0-0-0-10.0 Spacing: 2-0-0 o.c. Camber: 1/16 in Weight: 247 lb Board Feet: 112.67bft Last saved: July 29, 2022

====<<<< CHORDS >>>>====(Sq.Cut=0)

<p>PIECE: T3 Qty. 1</p> <p>0.0 2x6 No.1 SP - 4' 0.0</p> <p>OL:4-0-0 CL:4-0-0 LS:4-0-0</p>	<p>0.0 2x4 No.3 SP- 33.7</p> <p>(2) W3 OL:8-3-10 CL:8-2-8 LS:8-3-10</p> <p>(2) W1 OL:4-7-0 CL:4-5-13 LS:4-7-0</p>
<p>0.0 2x6 No.1 SP- 33.7</p> <p>(1) T4 OL:9-10-0 CL:9-8-2 LS:9-10-0</p> <p>(2) T2 OL:7-0-0 CL:6-10-3 LS:7-0-0</p>	<p>PIECE: W2, W2 Qty. 2</p> <p>15.4 2x4 No.3 SP - 7' 40.9</p> <p>OL:7-0-0 CL:7-0-0 LS:6-10-0</p>
<p>PIECE: T1 Qty. 1</p> <p>0.0 2x6 No.1 SP - 12' 33.7</p> <p>OL:11-2-1 CL:11-1-9 LS:10-11-12 PL:11-3-6</p>	<p>PIECE: W6 Qty. 1</p> <p>34.2 2x4 No.3 SP - 5' 55.8</p> <p>OL:4-1-9 CL:4-1-9 LS:3-9-12</p>
<p>SCARF: 0-4-3</p> <p>0-2-5 0-3-8 0-3-0 0-2-0</p>	<p>====<<<< OTHERS >>>>====(Sq.Cut=0)</p> <p>PIECE: HW1, HW1 Qty. 2</p> <p>56.3 2x4 No.3 SP - 1' 0.0</p> <p>OL:0-5-4 CL:0-2-10 LS:0-5-4</p>
<p>0.0 2x6 No.1 SP- 56.3</p> <p>(1) B2 OL:16-0-0 CL:16-0-0 LS:16-0-0 PL:16-0-0</p> <p>(1) B1 OL:15-6-0 CL:15-6-0 LS:15-6-0 PL:15-6-0</p>	
<p>SCARF: 0-4-4</p> <p>0-3-9 0-2-6 0-3-2</p>	

====<<<< WEBS >>>>====(Sq.Cut=0)

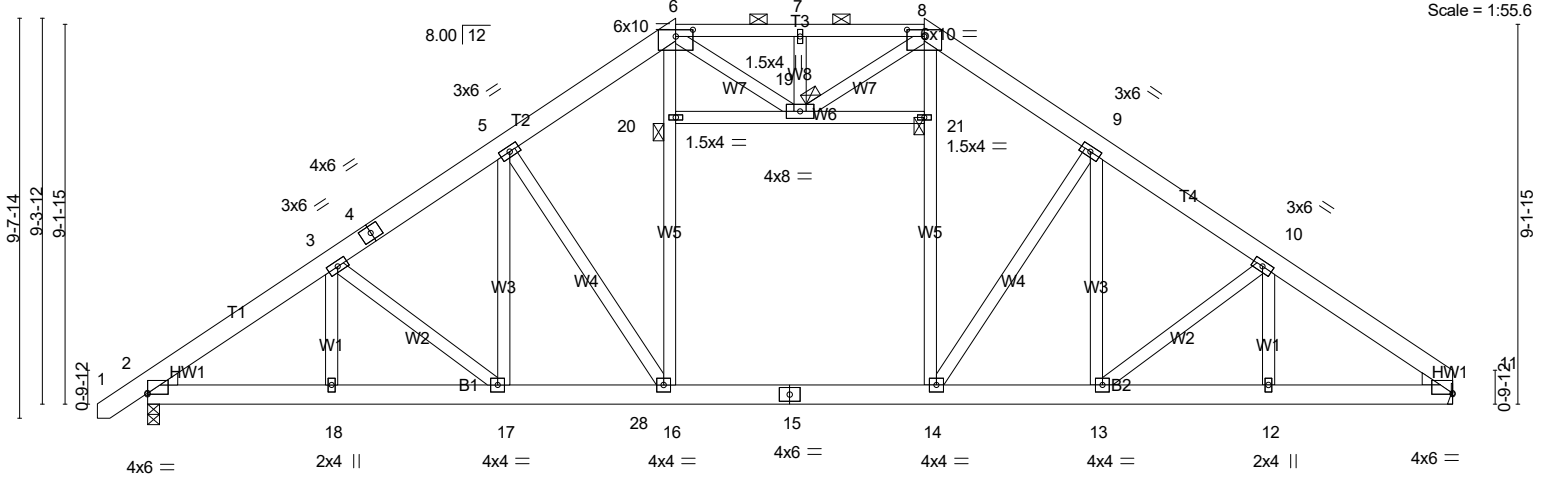
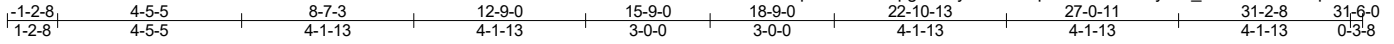
<p>0.0 2x4 No.3 SP- 0.0</p> <p>(1) W4 OL:6-0-0 CL:6-0-0 LS:6-0-0</p> <p>(2) W5 OL:2-3-13 CL:2-3-13 LS:2-3-13</p>
--

Job	Truss	Truss Type	Qty	Ply	Whittenton Bldrs/Register
26815	HP2	Hip Girder	1	1	

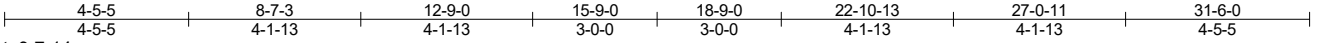
C&R Building Supply, Autryville NC

8.430 s Jan 20 2021 MiTek Industries, Inc. Fri Jul 29 11:00:01 2022 Page 1

ID:m3JJ6pNkJbuT4FrgLhoOyzifBs-lwqPK16UZd57WwyDM_JltBemtW?hL5qQCovfshytEkC



Scale = 1:55.6



Overall Truss Height: 9-7-14

Plate Offsets (X,Y)-- [2:Edge,0-0-5], [6:0-5-0,0-2-0], [8:0-5-0,0-2-0], [11:0-0-0,0-0-5]

Heel to Peak: 15-9-7

Overhang Rake Distance: Left 1-1-1, Right 0-0-0

Qty: 1 Span: 31-6-0 Slope: 8.00/12, 0.00/12 Overhang: 1-2-8, 0-0-0 Loading: 20.0-10.0-0-0-10.0 Spacing: 2-0-0 o.c. Camber: 1/8 in Weight: 266 lb Board Feet: 121.00bft Last saved: July 29, 2022

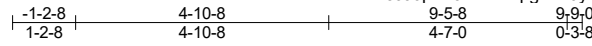
====<<<< CHORDS >>>>====(Sq.Cut=0)	====<<<< WEBS >>>>====(Sq.Cut=0)
PIECE: T3 Qty. 1 0.0 0.0 OL:6-0-0 CL:6-0-0 LS:6-0-0	0.0 0.0 (1) W6 OL:6-0-0 CL:6-0-0 LS:6-0-0 (1) W8 OL:1-9-11 CL:1-9-11 LS:1-9-11
PIECE: T2 Qty. 1 0.0 33.7 OL:9-0-0 CL:8-10-3 LS:9-0-0	0.0 33.7 (2) W5 OL:8-3-10 CL:8-2-8 LS:8-3-10 (2) W3 OL:5-7-9 CL:5-6-7 LS:5-7-9 (2) W1 OL:2-10-6 CL:2-9-3 LS:2-10-6
PIECE: T4 Qty. 1 33.7 33.7 OL:15-7-9 CL:15-3-14 LS:15-3-14	PIECE: W2, W2 Qty. 2 19.7 36.6 OL:4-9-11 CL:4-9-11 LS:4-7-12
PIECE: T1 Qty. 1 0.0 56.3 OL:7-11-10 CL:7-11-2 LS:7-9-5 PL:8-1-0	PIECE: W4, W4 Qty. 2 179.7 56.6 OL:6-9-0 CL:6-8-15 LS:6-6-5
SCARF: 0-4-3 	PIECE: W7, W7 Qty. 2 32.3 57.7 OL:3-4-9 CL:3-4-9 LS:3-0-11
0.0 56.3 (1) B2 OL:16-0-0 CL:16-0-0 LS:16-0-0 PL:16-0-0 (1) B1 OL:15-6-0 CL:15-6-0 LS:15-6-0 PL:15-6-0	=====<<<< OTHERS >>>>====(Sq.Cut=0) PIECE: HW1, HW1 Qty. 2 56.3 0.0 OL:0-5-4 CL:0-2-10 LS:0-5-4
SCARF: 0-4-4 	

Job	Truss	Truss Type	Qty	Ply	Whittenton Bldrs/Register
26815	J1	Jack-Closed	7	1	

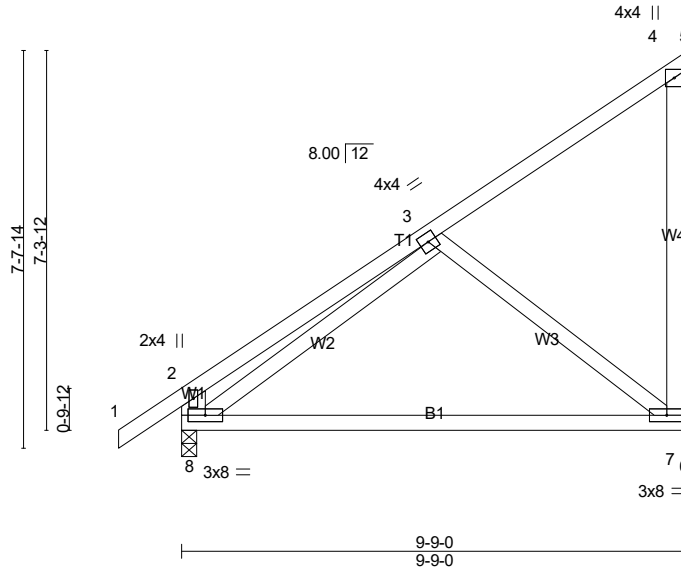
C&R Building Supply, Autryville NC

8.430 s Jan 20 2021 MiTek Industries, Inc. Fri Jul 29 11:00:02 2022 Page 1

ID:m3JJ6pNkJbuT4FqrgLho0yzifBs-m6sCcg2kFtlylqXQwiq_PPbncKLd4iJaRgEDP8ytEkB



Scale = 1:44.3



Overall Truss Height: 7-7-14

Heel to Peak: Left 12-2-4

Overhang Rake Distance: Left 1-5-7, Right 0-0-0

Qty: 7 Span: 9-9-0 Slope: 8.00/12, 0.00/12 Overhang: 1-2-8, 0-0-0 Loading: 20.0-10.0-0.0-10.0 Spacing: 2-0-0 o.c. Camber: 3/16 in Weight: 62 lb Board Feet: 207.67bft Last saved: July 29, 2022

====<<< CHORDS >>>====(Sq.Cut=0)

PIECE: B1	Qty: 7
0.0	0.0
OL:9-9-0	CL:9-9-0 LS:9-9-0
PIECE: T1	Qty: 7
33.7	33.7
OL:13-4-6	CL:13-2-1 LS:13-2-1

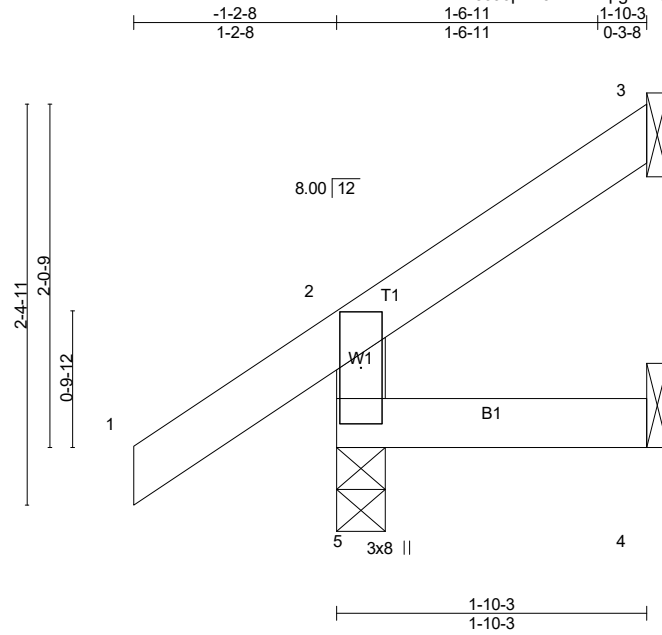
====<<< WEBS >>>====(Sq.Cut=0)

PIECE: W4	Qty: 7
0.0	33.7
OL:6-7-1	CL:6-5-14 LS:6-7-1
PIECE: W3	Qty: 7
18.8	37.5
OL:5-8-0	CL:5-7-7 LS:5-5-12
PIECE: W2	Qty: 7
16.2	36.3
OL:5-6-3	CL:5-5-11 LS:5-3-14
PIECE: W1	Qty: 7
0.0	33.7
OL:0-5-11	CL:0-3-14 LS:0-5-11

Job	Truss	Truss Type	Qty	Ply	Whittenton Bldrs/Register
26815	J2	Jack-Open	3	1	

C&R Building Supply, Autryville NC

8.430 s Jan 20 2021 MiTek Industries, Inc. Fri Jul 29 11:00:02 2022 Page 1
 ID:m3JJ6pNkJbuT4FqrgLho0yzifBs-m6sCcg2kFtlygXQwiq_PPbXvKVA4ILaRgEDP8ytEkB



Scale = 1:13.7

Overall Truss Height: 2-4-11

Heel to Peak: Left 2-9-1

Overhang Rake Distance: Left 1-5-7, Right 0-0-0

Qty: 3 Span: 1-10-3 Slope: 8.00/12, 0.00/12 Overhang: 1-2-8, 0-0-0 Loading: 20.0-10.0-0.0-10.0 Spacing: 2-0-0 o.c. Weight: 9 lb Board Feet: 14.00bft Last saved: July 29, 2022

====<<<< CHORDS >>>>====(Sq.Cut=0)

PIECE: B1	Qty. 3
0.0	0.0
OL:1-10-3	CL:1-10-3 LS:1-10-3
PIECE: T1	Qty. 3
33.7	33.7
OL:3-10-7	CL:3-8-2 LS:3-8-2

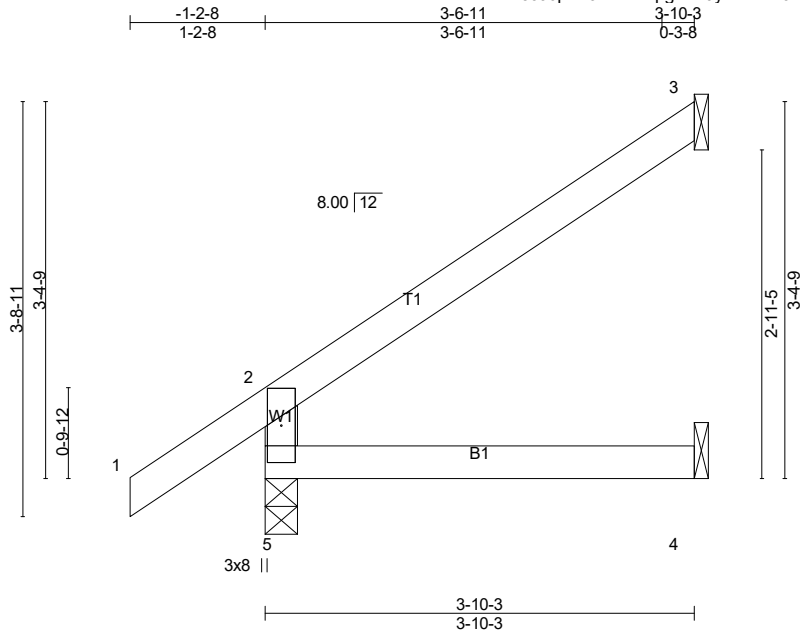
====<<<< WEBS >>>>====(Sq.Cut=0)

PIECE: W1	Qty. 3
0.0	33.7
OL:0-4-6	CL:0-3-3 LS:0-4-6

Job	Truss	Truss Type	Qty	Ply	Whittenton Bldrs/Register
26815	J3	Jack-Open	3	1	

C&R Building Supply, Autryville NC

8.430 s Jan 20 2021 MiTek Industries, Inc. Fri Jul 29 11:00:02 2022 Page 1
 ID:m3JJ6pNkJbuT4FqrgLho0yzifBs-m6sCcg2kFtlygXQwiiq_PPbX6KTX4ILaRgEDP8ytEkB



Scale = 1:20.7

Overall Truss Height: 3-8-11

Heel to Peak: Left 5-1-7

Overhang Rake Distance: Left 1-5-7, Right 0-0-0

Qty: 3 Span: 3-10-3 Slope: 8.00/12, 0.00/12 Overhang: 1-2-8, 0-0-0 Loading: 20.0-10.0-0.0-10.0 Spacing: 2-0-0 o.c. Weight: 16 lb Board Feet: 24.00bft Last saved: July 29, 2022

====<<<< CHORDS >>>>====(Sq.Cut=0)

PIECE: B1	Qty. 3
0.0	0.0
OL:3-10-3	CL:3-10-3 LS:3-10-3
PIECE: T1	Qty. 3
33.7	33.7
OL:6-3-4	CL:6-0-15 LS:6-0-15

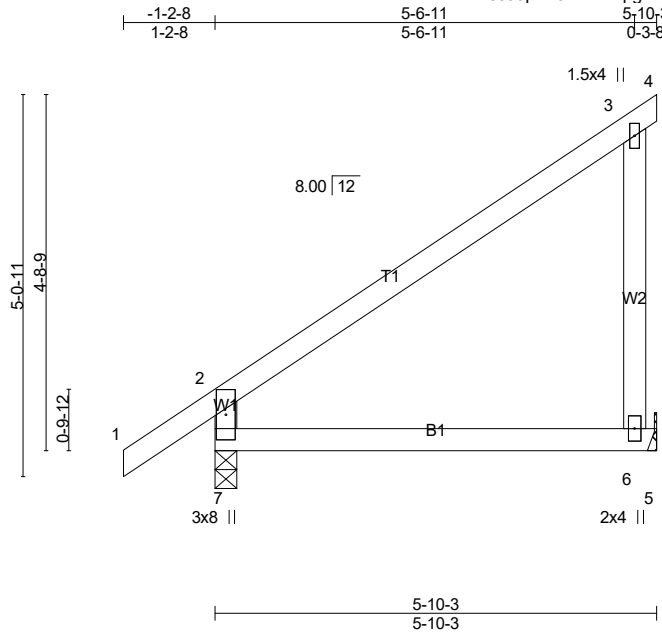
====<<<< WEBS >>>>====(Sq.Cut=0)

PIECE: W1	Qty. 3
0.0	33.7
OL:0-4-6	CL:0-3-3 LS:0-4-6

Job	Truss	Truss Type	Qty	Ply	Whittenton Bldrs/Register
26815	J4	Jack-Open	3	1	

C&R Building Supply, Autryville NC

8.430 s Jan 20 2021 MiTek Industries, Inc. Fri Jul 29 11:00:03 2022 Page 1
 ID:m3JJ6pNkJbuT4FrgLho0yzifBs-ElQaq02M0BtpNq5cTPLDycj2ljqmCijfK_mxaytEkA



Scale = 1:30.5

Overall Truss Height: 5-0-11

Heel to Peak: Left 7-6-2

Overhang Rake Distance: Left 1-5-7, Right 0-0-0

Qty: 3 Span: 5-10-3 Slope: 8.00/12, 0.00/12 Overhang: 1-2-8, 0-0-0 Loading: 20.0-10.0-0.0-10.0 Spacing: 2-0-0 o.c. Weight: 28 lb Board Feet: 40.00bft Last saved: July 29, 2022

====<<<< CHORDS >>>>====(Sq.Cut=0)

PIECE: B1	Qty. 3
0.0	0.0
2x4 No.2 SP - 6'	
OL:5-10-3	CL:5-10-3 LS:5-10-3
PIECE: T1	Qty. 3
33.7	33.7
2x4 No.2 SP - 9'	
OL:8-8-2	CL:8-5-13 LS:8-5-13

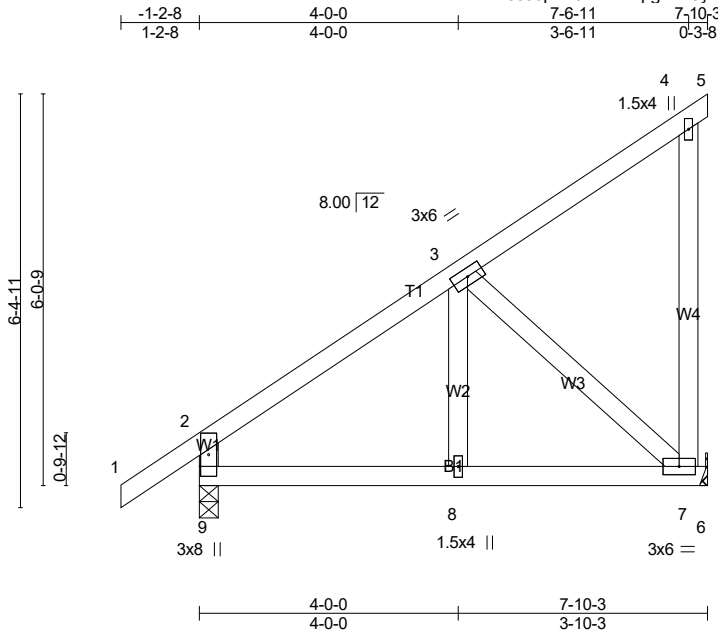
====<<<< WEBS >>>>====(Sq.Cut=0)

0.0	33.7
2x4 No.3 SP-	
(3) W2	OL:3-11-11 CL:3-10-8 LS:3-11-11
(3) W1	OL:0-4-6 CL:0-3-3 LS:0-4-6

Job	Truss	Truss Type	Qty	Ply	Whittenton Bldrs/Register
26815	J5	Jack-Open	3	1	

C&R Building Supply, Autryville NC

8.430 s Jan 20 2021 MiTek Industries, Inc. Fri Jul 29 11:00:03 2022 Page 1
 ID:m3JJ6pNkJbuT4FqrgLho0yzifBs-EIQaq02M0BtpNq5cTPLDycj5GjpUpBljfk_mxaytEkA



Scale = 1:35.6

Overall Truss Height: 6-4-11

Heel to Peak: Left 9-10-14

Overhang Rake Distance: Left 1-5-7, Right 0-0-0

Qty: 3 Span: 7-10-3 Slope: 8.00/12, 0.00/12 Overhang: 1-2-8, 0-0-0 Loading: 20.0-10.0-0-0-10.0 Spacing: 2-0-0 o.c. Weight: 47 lb Board Feet: 70.00bft Last saved: July 29, 2022

====<<<< CHORDS >>>>====(Sq.Cut=0)

PIECE: B1	Qty. 3
0.0	0.0
2x4 No.2 SP - 8'	
OL:7-10-3	CL:7-10-3 LS:7-10-3
PIECE: T1	Qty. 3
33.7	33.7
2x4 No.2 SP - 12'	
OL:11-0-15	CL:10-10-10 LS:10-10-10

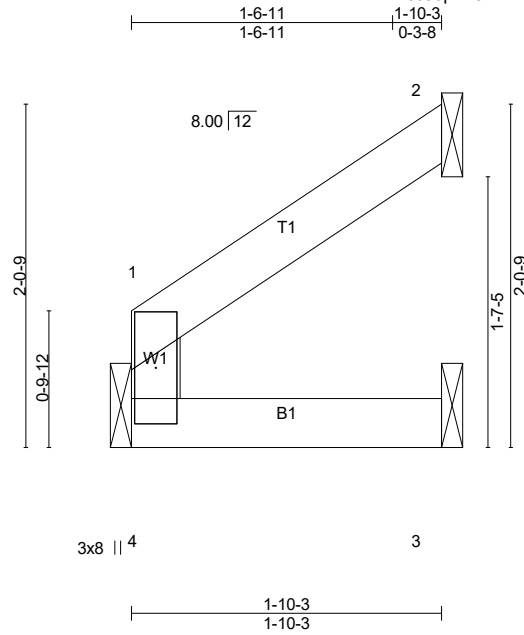
====<<<< WEBS >>>>====(Sq.Cut=0)

0.0	33.7
2x4 No.3 SP-	
(3) W4	OL:5-3-11 CL:5-2-8 LS:5-3-11
(3) W2	OL:2-11-3 CL:2-10-1 LS:2-11-3
(3) W1	OL:0-4-6 CL:0-3-3 LS:0-4-6
PIECE: W3	Qty. 3
14.4	41.9
2x4 No.3 SP - 5'	
41.9	48.1
OL:4-4-11	CL:4-4-11 LS:4-2-11

Job	Truss	Truss Type	Qty	Ply	Whittenton Bldrs/Register
26815	J6	Jack-Open	1	1	

C&R Building Supply, Autryville NC

8.430 s Jan 20 2021 MiTek Industries, Inc. Fri Jul 29 11:00:03 2022 Page 1
 ID:m3JJ6pNkJbuT4FqrgLho0yzifBs-EIQaq02M0BtpNq5cTPLDycj8tjrQpCajfK_mxaytEkA



Scale = 1:13.7

Overall Truss Height: 2-0-9

Heel to Peak: Left 2-9-1

Overhang Rake Distance: Left 0-0-0, Right 0-0-0

Qty: 1 Span: 1-10-3 Slope: 8.00/12, 0.00/12 Overhang: 0-0-0, 0-0-0 Loading: 20.0-10.0-0.0-10.0 Spacing: 2-0-0 o.c. Weight: 7 lb Board Feet: 4.00bft Last saved: July 29, 2022

====<<<< CHORDS >>>>====(Sq.Cut=0)

PIECE: B1		Qty. 1
0.0		0.0
OL:1-10-3	CL:1-10-3	LS:1-10-3
PIECE: T1		Qty. 1
33.7		33.7
OL:2-5-0	CL:2-2-11	LS:2-2-11

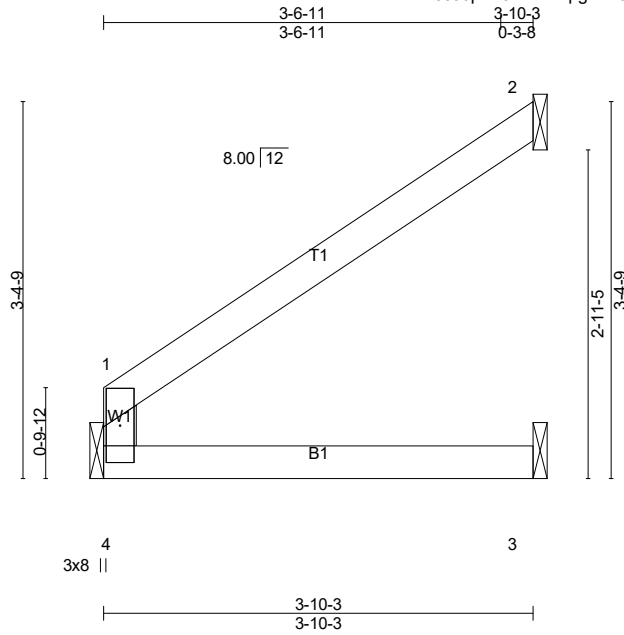
====<<<< WEBS >>>>====(Sq.Cut=0)

PIECE: W1		Qty. 1
0.0		33.7
OL:0-4-6	CL:0-3-3	LS:0-4-6

Job 26815	Truss J7	Truss Type Jack-Open	Qty 1	Ply 1	Whittenton Bldrs/Register
--------------	-------------	-------------------------	----------	----------	---------------------------

C&R Building Supply, Autryville NC

8.430 s Jan 20 2021 MiTek Industries, Inc. Fri Jul 29 11:00:03 2022 Page 1
 ID:m3JJ6pNkJbuT4FqrgLho0yzifBs-EIQaq02M0BtpNq5cTPLDycj5JjdpCajfk_mxaytEkA



Scale = 1:20.7

Overall Truss Height: 3-4-9

Heel to Peak: Left 5-1-7

Overhang Rake Distance: Left 0-0-0, Right 0-0-0

Qty: 1 Span: 3-10-3 Slope: 8.00/12, 0.00/12 Overhang: 0-0-0, 0-0-0 Loading: 20.0-10.0-0.0-10.0 Spacing: 2-0-0 o.c. Weight: 13 lb Board Feet: 6.67bft Last saved: July 29, 2022

====<<<< CHORDS >>>>====(Sq.Cut=0)

PIECE: B1 0.0	2x4 No.2 SP - 4'	Qty. 1 0.0
OL:3-10-3	CL:3-10-3	LS:3-10-3
PIECE: T1 33.7	2x4 No.2 SP - 5'	Qty. 1 33.7
OL:4-9-14	CL:4-7-8	LS:4-7-8

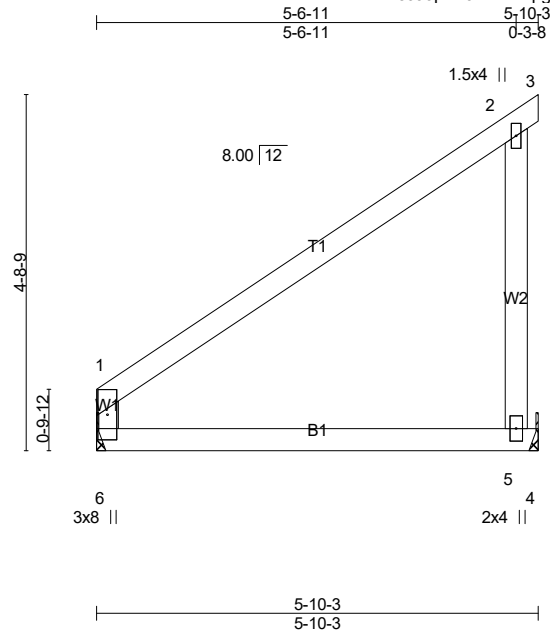
====<<<< WEBS >>>>====(Sq.Cut=0)

PIECE: W1 0.0	2x4 No.3 SP - 1'	Qty. 1 33.7
OL:0-4-6	CL:0-3-3	LS:0-4-6

Job	Truss	Truss Type	Qty	Ply	Whittenton Bldrs/Register
26815	J8	Jack-Open	1	1	

C&R Building Supply, Autryville NC

8.430 s Jan 20 2021 MiTek Industries, Inc. Fri Jul 29 11:00:04 2022 Page 1
 ID:m3JJ6pNkJbuT4FrgLho0yzifBs-iV_y1M3_nU?g__go16sSUqGCM76sYfvsu_jKT0ytEk9



Scale = 1:30.5

Overall Truss Height: 4-8-9

Heel to Peak: Left 7-6-2

Overhang Rake Distance: Left 0-0-0, Right 0-0-0

Qty: 1 Span: 5-10-3 Slope: 8.00/12, 0.00/12 Overhang: 0-0-0, 0-0-0 Loading: 20.0-10.0-0.0-10.0 Spacing: 2-0-0 o.c. Weight: 26 lb Board Feet: 12.67bft Last saved: July 29, 2022

====<<<< CHORDS >>>>====(Sq.Cut=0)

PIECE: B1	Qty. 1
0.0	0.0
2x4 No.2 SP - 6'	
OL:5-10-3	CL:5-10-3 LS:5-10-3

PIECE: T1	Qty. 1
33.7	33.7
2x4 No.2 SP - 8'	
OL:7-2-11	CL:7-0-6 LS:7-0-6

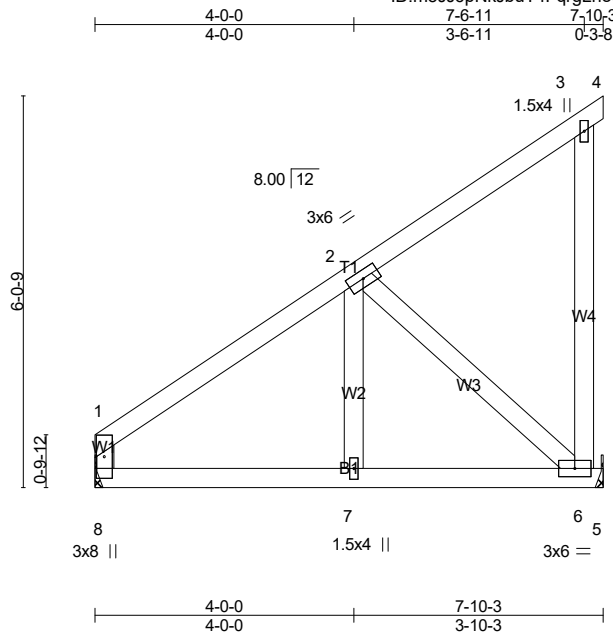
====<<<< WEBS >>>>====(Sq.Cut=0)

0.0	33.7
2x4 No.3 SP-	
(1) W2	OL:3-11-11 CL:3-10-8 LS:3-11-11
(1) W1	OL:0-4-6 CL:0-3-3 LS:0-4-6

Job	Truss	Truss Type	Qty	Ply	Whittenton Bldrs/Register
26815	J9	Jack-Open	1	1	

C&R Building Supply, Autryville NC

8.430 s Jan 20 2021 MiTek Industries, Inc. Fri Jul 29 11:00:04 2022 Page 1
 ID:m3JJ6pNkJbuT4FqrgLho0yziFBs-iV_y1M3_nU?g__go16sSUqGFK79sYeusu_jKT0ytEk9



Scale = 1:35.6

Overall Truss Height: 6-0-9

Heel to Peak: Left 9-10-14

Overhang Rake Distance: Left 0-0-0, Right 0-0-0

Qty: 1 Span: 7-10-3 Slope: 8.00/12, 0.00/12 Overhang: 0-0-0, 0-0-0 Loading: 20.0-10.0-0.0-10.0 Spacing: 2-0-0 o.c. Weight: 45 lb Board Feet: 22.00bft Last saved: July 29, 2022

====<<<< CHORDS >>>>====(Sq.Cut=0)

PIECE: B1	Qty. 1
0.0	0.0
OL:7-10-3	CL:7-10-3
LS:7-10-3	
PIECE: T1	Qty. 1
33.7	33.7
OL:9-7-9	CL:9-5-3
LS:9-5-3	

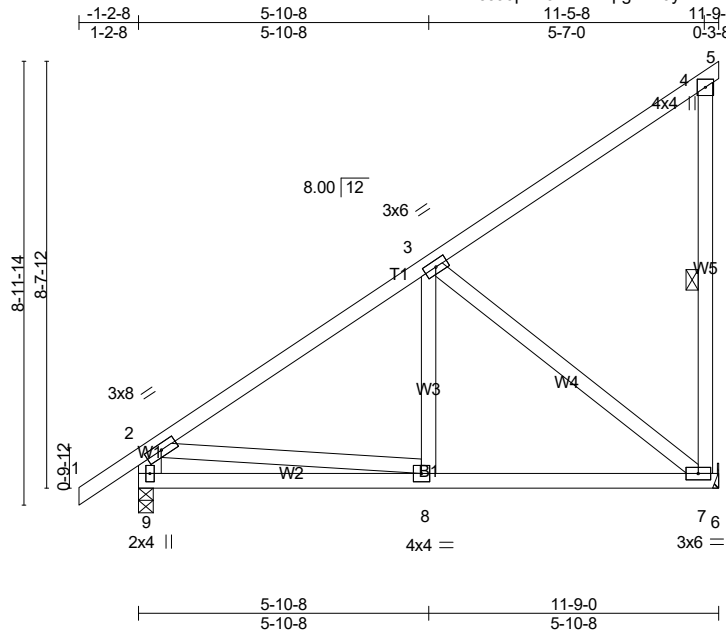
====<<<< WEBS >>>>====(Sq.Cut=0)

0.0	33.7
(1) W4	OL:5-3-11
	CL:5-2-8
	LS:5-3-11
(1) W2	OL:2-11-3
	CL:2-10-1
	LS:2-11-3
(1) W1	OL:0-4-6
	CL:0-3-3
	LS:0-4-6
PIECE: W3	Qty. 1
14.4	41.9
41.9	48.1
OL:4-4-11	CL:4-4-11
LS:4-2-11	

Job	Truss	Truss Type	Qty	Ply	Whittenton Bldrs/Register
26815	J10	Jack-Closed	1	1	

C&R Building Supply, Autryville NC

8.430 s Jan 20 2021 MiTek Industries, Inc. Fri Jul 29 11:00:04 2022 Page 1
 ID:m3JJ6pNkJbuT4FqrgLho0yzifBs-iv_y1M3_nU?g__go16sSUqGBv77RYZHsu_jkT0ytEk9



Scale = 1:46.7

Overall Truss Height: 8-11-14

Heel to Peak: Left 14-7-1

Overhang Rake Distance: Left 1-5-7, Right 0-0-0

Qty: 1 Span: 11-9-0 Slope: 8.00/12, 0.00/12 Overhang: 1-2-8, 0-0-0 Loading: 20.0-10.0-0.0-10.0 Spacing: 2-0-0 o.c. Weight: 78 lb Board Feet: 37.00bft Last saved: July 29, 2022

====<<<< CHORDS >>>>====(Sq.Cut=0)

PIECE: B1	Qty. 1
0.0	0.0
OL:11-9-0	CL:11-9-0 LS:11-9-0
PIECE: T1	Qty. 1
33.7	33.7
OL:15-9-4	CL:15-6-14 LS:15-6-14

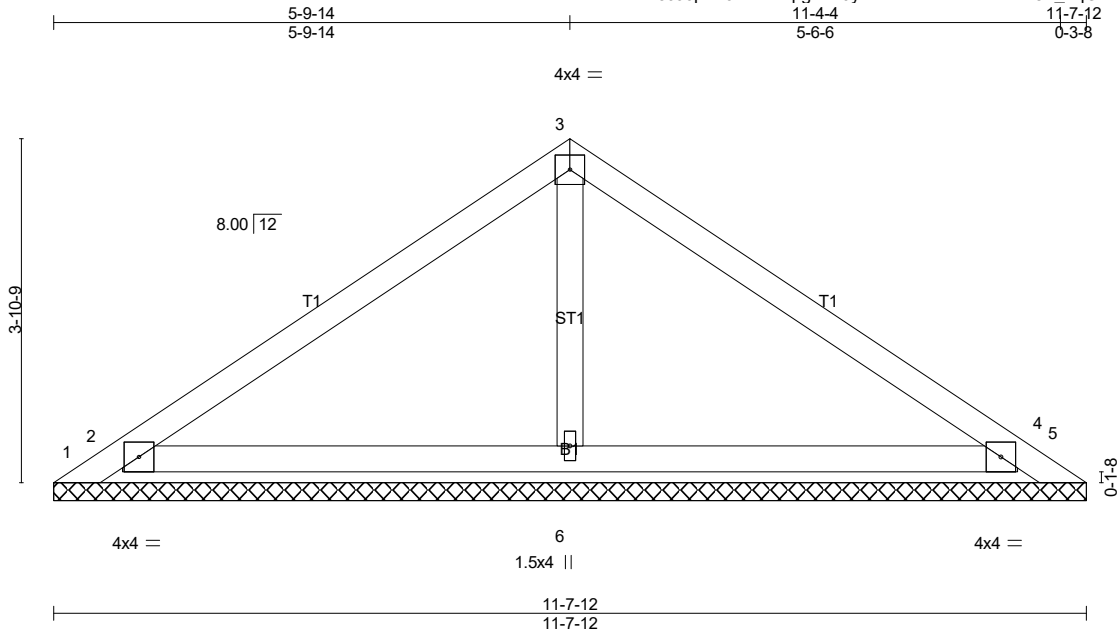
====<<<< WEBS >>>>====(Sq.Cut=0)

0.0	33.7
(1) W5	OL:7-11-1 CL:7-9-14 LS:7-11-1
(1) W3	OL:4-2-3 CL:4-1-1 LS:4-2-3
PIECE: W2	Qty. 1
3.6	52.7
OL:5-3-8	CL:5-3-6 LS:5-3-6
PIECE: W4	Qty. 1
18.1	38.2
38.2	51.8
OL:6-9-2	CL:6-9-2 LS:6-7-3
PIECE: W1	Qty. 1
0.0	33.7
OL:0-5-11	CL:0-3-14 LS:0-5-11

Job	Truss	Truss Type	Qty	Ply	Whittenton Bldrs/Register
26815	PB1	GABLE	10	1	

C&R Building Supply, Autryville NC

8.430 s Jan 20 2021 MiTek Industries, Inc. Fri Jul 29 11:00:05 2022 Page 1
 ID:m3JJ6pNkJbuT4FrgLho0yzifBs-AhYKFi4cYo7Xc8F_bqOh11pSVXUxH6807eTt?TytEk8



Qty: 10 Span: 10-1-2 Slope: 8.00/12, 0.00/12 Overhang: 0-0-0, 0-0-0 Loading: 20.0-10.0-0.0-10.0 Spacing: 2-0-0 o.c. Weight: 40 lb Board Feet: 193.33bft Last saved: July 29, 2022

====<<<< CHORDS >>>>====(Sq.Cut=0)

PIECE: T1, T1	Qty. 20
33.7	56.3
OL:7-0-0	CL:6-8-3
LS:7-0-0	
PIECE: B1	Qty. 10
56.3	56.3
OL:10-1-2	CL:9-9-6
LS:10-1-2	PL:10-1-2
0-3-0	0-3-0
0-0-8	0-0-8

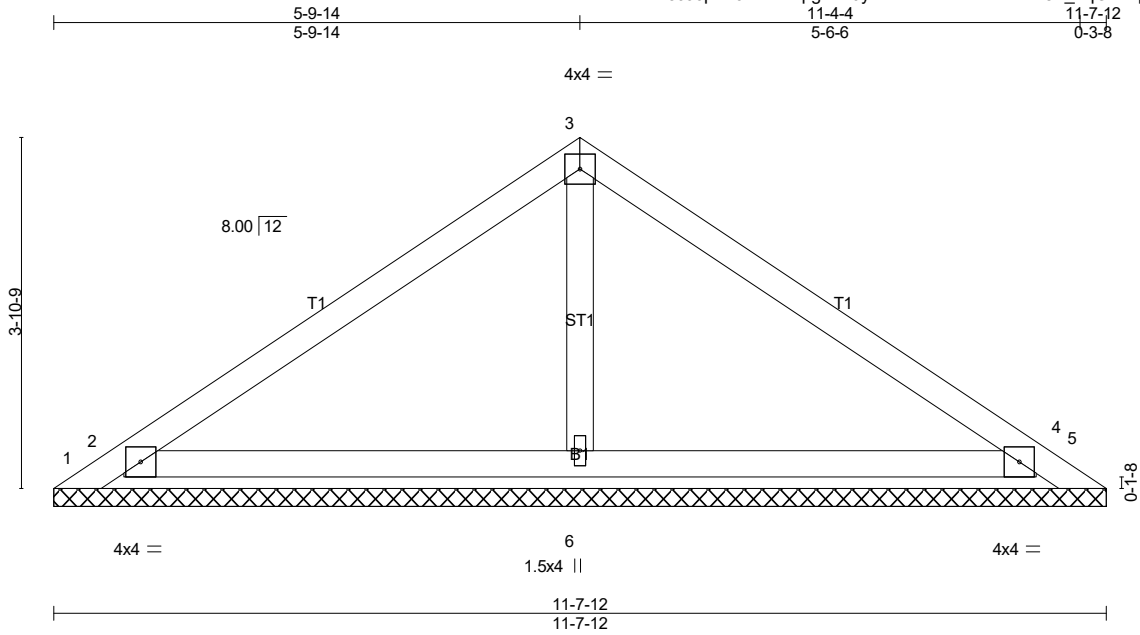
====<<<< OTHERS >>>>====(Sq.Cut=0)

PIECE: ST1	Qty. 10
0.0	33.7
OL:3-1-6	CL:3-1-6
LS:3-0-3	

Job	Truss	Truss Type	Qty	Ply	Whittenton Bldrs/Register
26815	PB2	GABLE	2	1	

C&R Building Supply, Autryville NC

8.430 s Jan 20 2021 MiTek Industries, Inc. Fri Jul 29 11:00:05 2022 Page 1
 ID:m3JJ6pNkJbuT4FrgLho0yzifBs-AhYKFi4cYo7Xc8F_bqOh11pSVXUxH6807eTt?TytEk8



Scale = 1:25.5

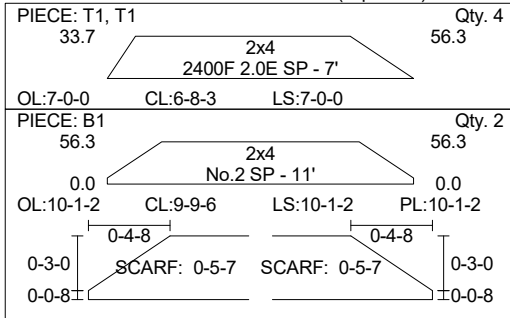
Overall Truss Height: 3-10-9

Heel to Peak: 6-3-8

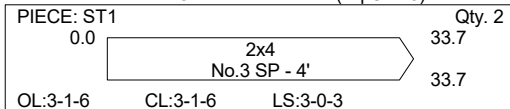
Overhang Rake Distance: Left 0-3-10, Right 0-3-10

Qty: 2 Span: 10-1-2 Slope: 8.00/12, 0.00/12 Overhang: 0-0-0, 0-0-0 Loading: 20.0-10.0-0-0-10.0 Spacing: 2-0-0 o.c. Weight: 40 lb Board Feet: 38.67bft Last saved: July 29, 2022

====<<<< CHORDS >>>>====(Sq.Cut=0)



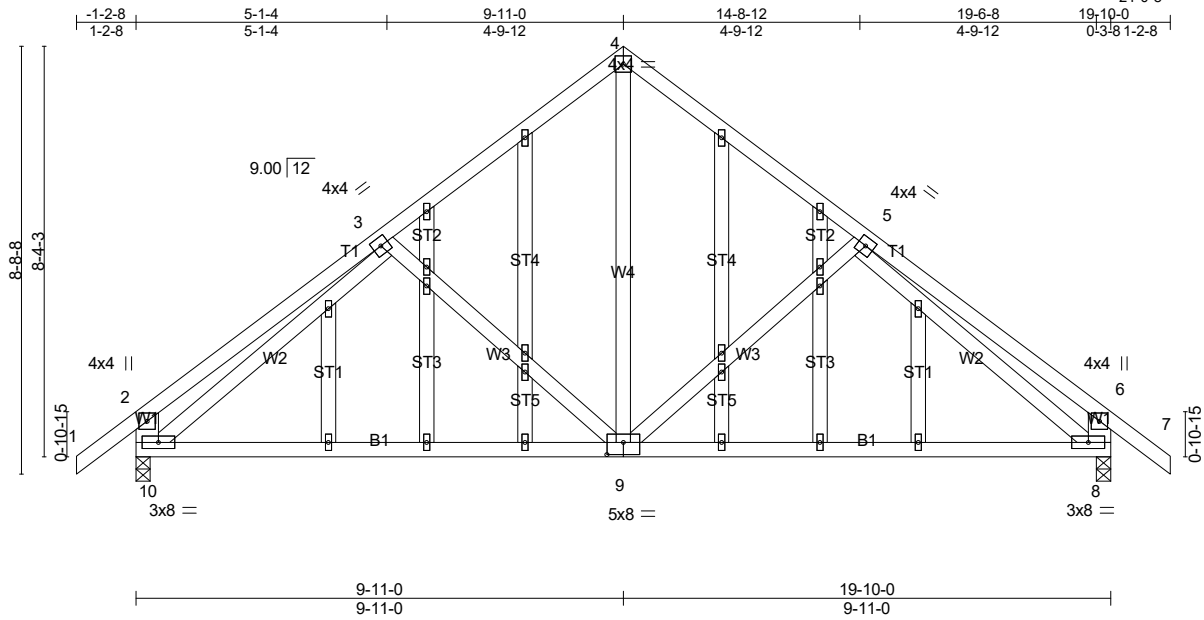
====<<<< OTHERS >>>>====(Sq.Cut=0)



Job	Truss	Truss Type	Qty	Ply	Whittenton Bldrs/Register
26815	SG1	GABLE	1	1	

C&R Building Supply, Autryville NC

8.430 s Jan 20 2021 MiTek Industries, Inc. Fri Jul 29 11:00:06 2022 Page 1
 ID:m3JJ6pNkJbuT4FqrgLho0yzifBs-et6iS25EJ6FOEHqB9XvwZFLcJxnp0Ti9LICQYvytEk7



Scale = 1:46.9

Overall Truss Height: 8-8-8

Plate Offsets (X,Y)-- [9:0-4-0,0-3-0]

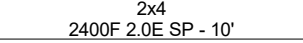
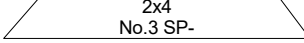
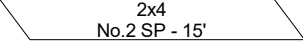
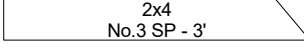
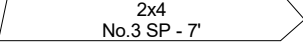
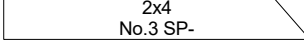
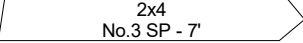
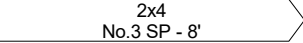
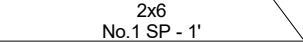
Heel to Peak: 12-11-9

Overhang Rake Distance: Left 1-6-2, Right 1-6-2

Qty: 1 Span: 19-10-0 Slope: 9.00/12, 0.00/12 Overhang: 1-2-8, 1-2-8 Loading: 20.0-10.0-0.0-10.0 Spacing: 2-0-0 o.c. Camber: 1/8 in Weight: 163 lb Board Feet: 80.67bft Last saved: July 29, 2022

NOTES-

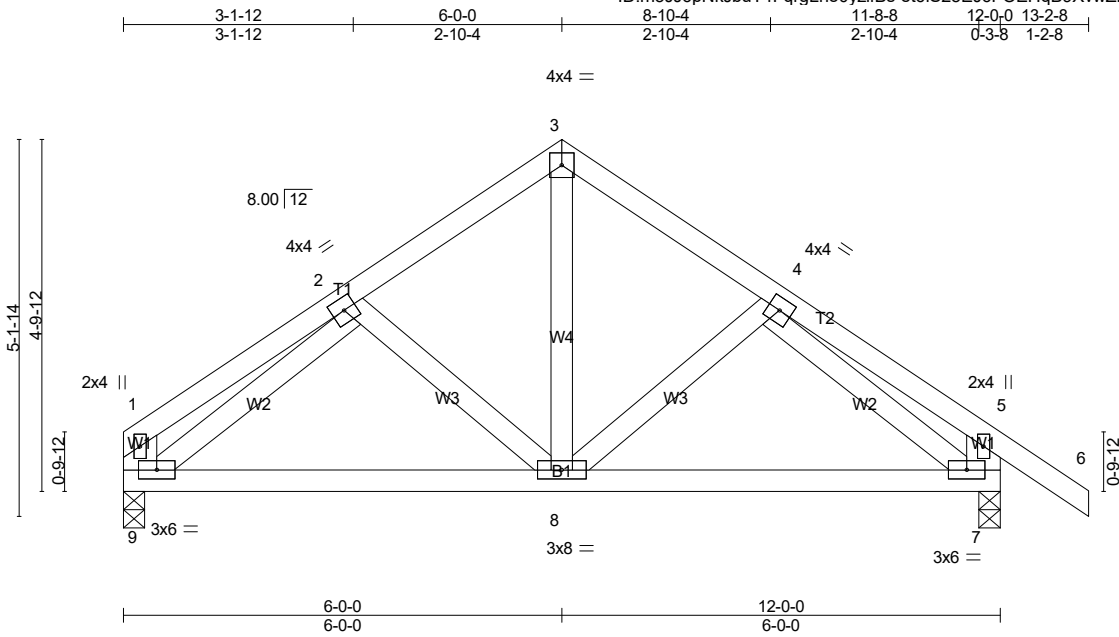
1) All plates are 1.5x4 MT20 unless otherwise indicated.

====<<<< CHORDS >>>>====(Sq.Cut=0)	====<<<< OTHERS >>>>====(Sq.Cut=0)
PIECE: B1, B1 Qty. 2 0.0  0.0 2x4 2400F 2.0E SP - 10' OL:9-11-0 CL:9-11-0 LS:9-11-0	41.2  36.9 2x4 No.3 SP- (2) ST4 OL:4-7-6 CL:4-4-8 LS:4-7-6 (2) ST2 OL:1-4-6 CL:1-1-8 LS:1-4-6
PIECE: T1, T1 Qty. 2 36.9  36.9 2x4 No.2 SP - 15' OL:14-1-8 CL:13-10-14 LS:13-10-14 ===== WEBS >>>>====(Sq.Cut=0)	PIECE: ST1, ST1 Qty. 2 0.0  40.1 2x4 No.3 SP - 3' OL:2-10-1 CL:2-8-10 LS:2-10-1
PIECE: W3, W3 Qty. 2 11.9  41.2 2x4 No.3 SP - 7' OL:6-2-13 CL:6-2-7 LS:6-0-13	0.0  41.2 2x4 No.3 SP- (2) ST3 OL:3-3-11 CL:3-2-3 LS:3-3-11 (2) ST5 OL:1-6-11 CL:1-5-2 LS:1-6-11
PIECE: W2, W2 Qty. 2 8.8  40.1 2x4 No.3 SP - 7' OL:6-1-0 CL:6-0-11 LS:5-10-15	
PIECE: W4 Qty. 1 0.0  36.9 2x4 No.3 SP - 8' OL:7-8-5 CL:7-8-5 LS:7-7-0	
PIECE: W1, W1 Qty. 2 0.0  36.9 2x6 No.1 SP - 1' OL:0-7-3 CL:0-5-2 LS:0-7-3	

Job	Truss	Truss Type	Qty	Ply	Whittenton Bldrs/Register
26815	T1	COMMON	1	1	

C&R Building Supply, Autryville NC

8.430 s Jan 20 2021 MiTek Industries, Inc. Fri Jul 29 11:00:06 2022 Page 1
 ID:m3JJ6pNkJbuT4FqrgLho0yzifBs-et6iS25EJ6FOEHqB9XvwZFLdHXqZ0YP9LICQYvytEk7



Scale = 1:31.5

Overall Truss Height: 5-1-14

Heel to Peak: 7-8-5

Overhang Rake Distance: Left 0-0-0, Right 1-5-7

Qty: 1 Span: 12-0-0 Slope: 8.00/12, 0.00/12 Overhang: 0-0-0, 1-2-8 Loading: 20.0-10.0-0-0-10.0 Spacing: 2-0-0 o.c. Weight: 71 lb Board Feet: 35.33bft Last saved: July 29, 2022

====<<<< CHORDS >>>>====(Sq.Cut=0)

PIECE: B1	Qty. 1
0.0	0.0
OL:12-0-0	CL:12-0-0 LS:12-0-0

33.7	33.7
(1) T2	OL:8-10-5 CL:8-7-15 LS:8-7-15
(1) T1	OL:7-4-14 CL:7-2-9 LS:7-2-9

====<<<< WEBS >>>>====(Sq.Cut=0)

PIECE: W3, W3	Qty. 2
16.4	39.9
OL:3-6-14	CL:3-6-6 LS:3-4-13

PIECE: W2, W2	Qty. 2
12.1	38.0
OL:3-5-2	CL:3-4-12 LS:3-3-0

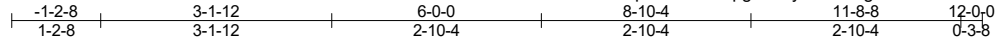
PIECE: W4	Qty. 1
0.0	33.7
OL:4-2-1	CL:4-2-1 LS:4-0-14

PIECE: W1, W1	Qty. 2
0.0	33.7
OL:0-5-11	CL:0-3-14 LS:0-5-11

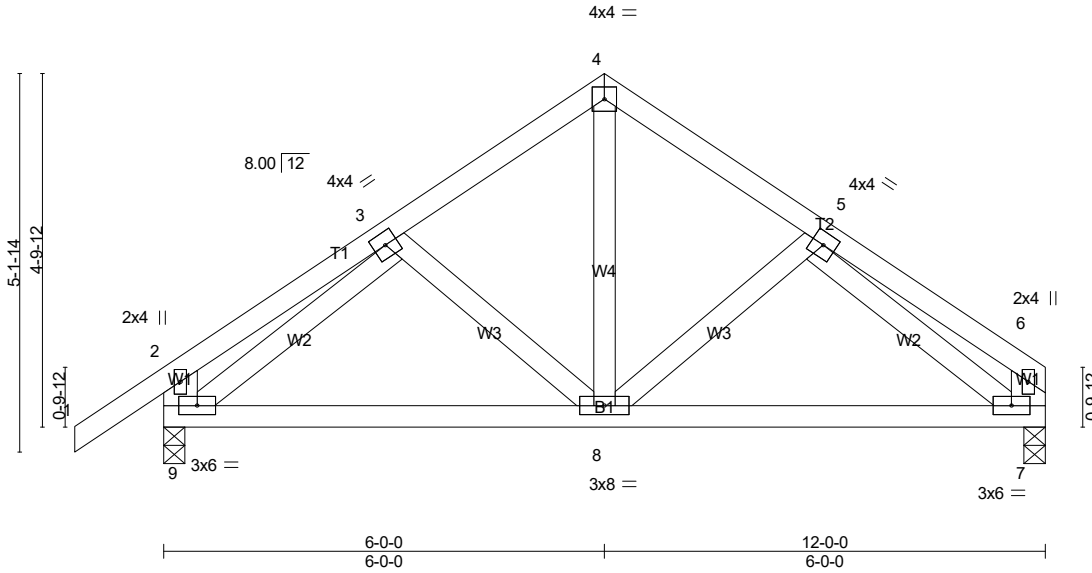
Job	Truss	Truss Type	Qty	Ply	Whittenton Bldrs/Register
26815	T2	Common	3	1	

C&R Building Supply, Autryville NC

8.430 s Jan 20 2021 MiTek Industries, Inc. Fri Jul 29 11:00:07 2022 Page 1
 ID:m3JJ6pNkJbuT4FqrgLho0yzifBs-64g5fO5s4PNFrRPNiFQ96SuoRLAol?fJJay_4LytEk6



Scale = 1:31.4



Overall Truss Height: 5-1-14

Heel to Peak: 7-8-5

Overhang Rake Distance: Left 1-5-7, Right 0-0-0

Qty: 3 Span: 12-0-0 Slope: 8.00/12, 0.00/12 Overhang: 1-2-8, 0-0-0 Loading: 20.0-10.0-0.0-10.0 Spacing: 2-0-0 o.c. Weight: 71 lb Board Feet: 106.00bft Last saved: July 29, 2022

====<<<< CHORDS >>>>====(Sq.Cut=0)

PIECE: B1	Qty. 3
0.0	0.0
OL:12-0-0	CL:12-0-0 LS:12-0-0

PIECE: T1, T2	Qty. 6
33.7	33.7
(3) T1	OL:8-10-5 CL:8-7-15 LS:8-7-15
(3) T2	OL:7-4-14 CL:7-2-9 LS:7-2-9

====<<<< WEBS >>>>====(Sq.Cut=0)

PIECE: W3, W3	Qty. 6
16.4	39.9
OL:3-6-14	CL:3-6-6 LS:3-4-13

PIECE: W2, W2	Qty. 6
12.1	38.0
OL:3-5-2	CL:3-4-12 LS:3-3-0

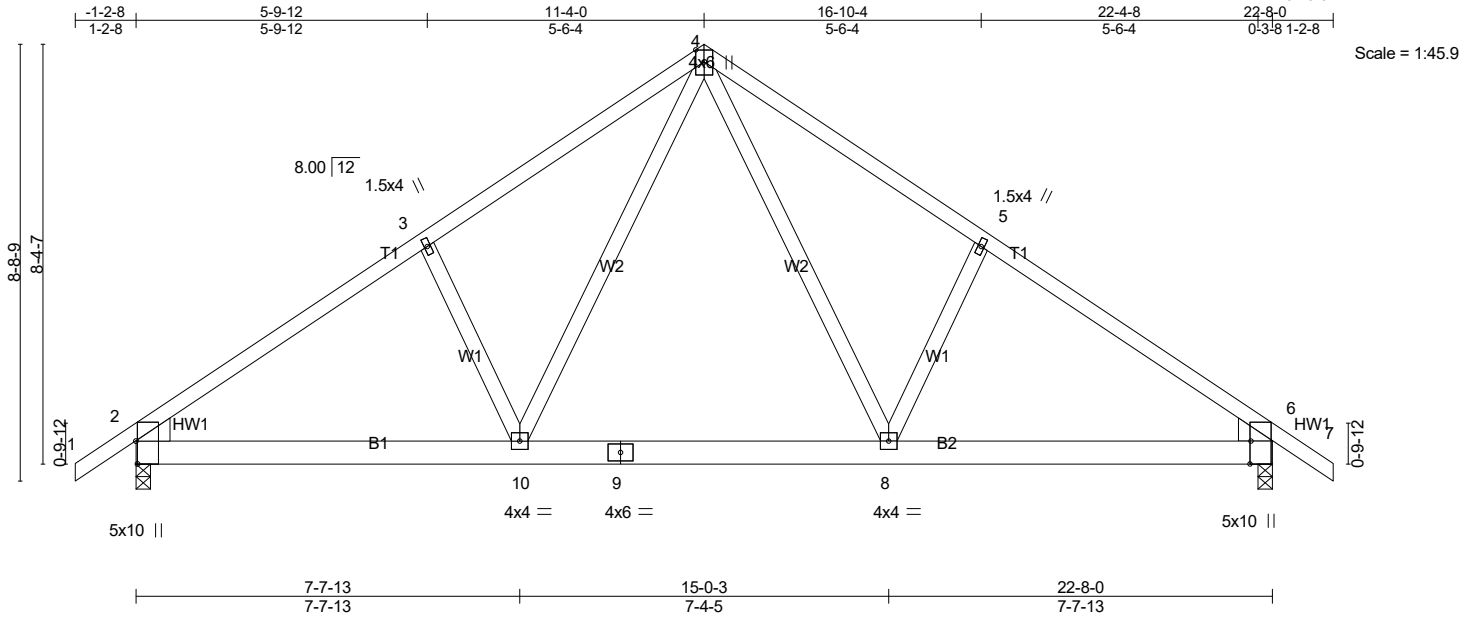
PIECE: W4	Qty. 3
0.0	33.7
OL:4-2-1	CL:4-2-1 LS:4-0-14

PIECE: W1, W1	Qty. 6
0.0	33.7
OL:0-5-11	CL:0-3-14 LS:0-5-11

Job	Truss	Truss Type	Qty	Ply	Whittenton Bldrs/Register
26815	T3	Common	6	1	

C&R Building Supply, Autryville NC

8.430 s Jan 20 2021 MiTek Industries, Inc. Fri Jul 29 11:00:07 2022 Page 1
 ID:m3JJ6pNkJbuT4FqrgLho0yzifBs-64g5fO5s4PNFrRPNIQ96Suoll9wizHJayy_4LytEk6
 23-10-8



Overall Truss Height: 8-8-9

Plate Offsets (X,Y)-- [2:0-5-8,Edge], [6:0-5-8,Edge]

Heel to Peak: 14-1-1

Overhang Rake Distance: Left 1-5-6, Right 1-5-6

Qty: 6 Span: 22-8-0 Slope: 8.00/12, 0.00/12 Overhang: 1-2-8, 1-2-8 Loading: 20.0-10.0-0-0-10.0 Spacing: 2-0-0 o.c. Weight: 139 lb Board Feet: 390.00bft Last saved: July 29, 2022

====<<<< CHORDS >>>>====(Sq.Cut=0)

PIECE: T1, T1	Qty. 12
33.7	33.7
2x4 2400F 2.0E SP - 16'	
OL:15-3-3	CL:15-0-14 LS:15-0-14

0.0	0.0
2x6 No.1 SP-	
(6) B2	OL:13-0-0 CL:13-0-0 LS:13-0-0
(6) B1	OL:9-8-0 CL:9-8-0 LS:9-8-0

====<<<< WEBS >>>>====(Sq.Cut=0)

PIECE: W1, W1	Qty. 12
8.3	64.6
2x4 No.3 SP - 5'	
OL:4-3-12	CL:4-3-8 LS:4-2-7

PIECE: W2, W2	Qty. 12
59.7	64.0
2x4 No.3 SP - 9'	
OL:8-4-14	CL:8-4-14 LS:8-0-7

====<<<< OTHERS >>>>====(Sq.Cut=0)

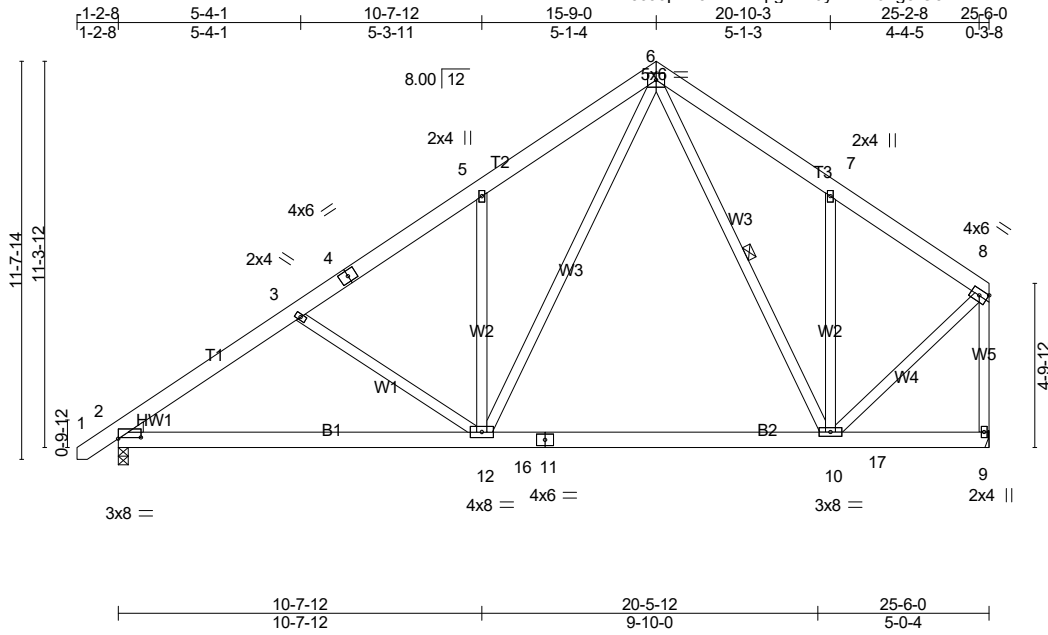
PIECE: HW1, HW1	Qty. 12
56.3	0.0
2x6 No.1 SP - 1'	
OL:0-8-4	CL:0-4-2 LS:0-8-4

Job	Truss	Truss Type	Qty	Ply	Whittenton Bldrs/Register
26815	T4	Common	5	1	

C&R Building Supply, Autryville NC

8.430 s Jan 20 2021 MiTek Industries, Inc. Fri Jul 29 11:00:07 2022 Page 1

ID:m3JJ6pNkJbuT4FqrgLho0yzifBs-64g5fO5s4PNFrRPNIIFQ96SumGL78lx5Javy_4LytEk6



Scale = 1:67.5

Overall Truss Height: 11-7-14

Plate Offsets (X,Y)-- [2:0-8-0,0-0-7]

Heel to Peak: Left 19-4-11, Right 14-11-3

Overhang Rake Distance: Left 1-1-1, Right 0-0-0

Qty: 5 Span: 25-6-0 Slope: 8.00/12, 0.00/12 Overhang: 1-2-8, 0-0-0 Loading: 20.0-10.0-0-0-10.0 Spacing: 2-0-0 o.c. Weight: 215 lb Board Feet: 486.67bft Last saved: July 29, 2022

====<<<< CHORDS >>>>====(Sq.Cut=0)

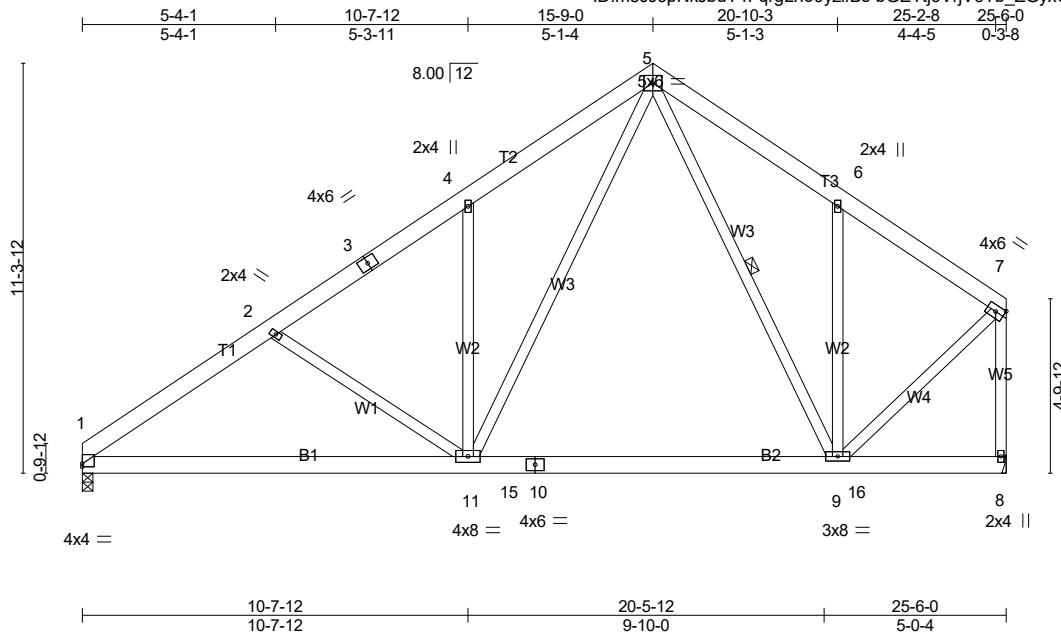
====<<<< WEBS >>>>====(Sq.Cut=0)

PIECE: B2 0.0 0.0 Qty. 5 OL:13-0-0 CL:13-0-0 LS:13-0-0	PIECE: W2 0.0 33.7 Qty. 5 (10) W2 OL:7-0-0 CL:6-10-13 LS:7-0-0 (5) W5 OL:4-0-0 CL:3-10-13 LS:4-0-0
PIECE: T2 0.0 33.7 Qty. 5 OL:11-0-0 CL:10-10-3 LS:11-0-0	PIECE: W1 23.2 33.1 Qty. 5 OL:6-2-11 CL:6-1-15 LS:6-0-1
PIECE: T3 33.7 33.7 Qty. 5 OL:12-0-5 CL:11-8-10 LS:11-8-10	PIECE: W4 12.8 43.5 Qty. 5 OL:5-9-11 CL:5-9-11 LS:5-7-10
PIECE: T1 0.0 33.7 Qty. 5 OL:9-6-14 CL:9-6-7 LS:9-4-9 PL:9-8-4 0-2-5 0-3-8 0-2-0	PIECE: W3, W3 59.4 64.3 Qty. 10 OL:11-5-3 CL:11-5-3 LS:11-0-12 25.7
SCARF: 0-4-3 	<p>====<<<< OTHERS >>>>====(Sq.Cut=0)</p> PIECE: HW1 56.3 0.0 Qty. 5 OL:0-5-4 CL:0-2-10 LS:0-5-4
PIECE: B1 0.0 56.3 Qty. 5 OL:12-6-0 CL:12-6-0 LS:12-6-0 PL:12-6-0 0-3-9 0-2-6 0-3-2	
SCARF: 0-4-4 	

Job	Truss	Truss Type	Qty	Ply	Whittenton Bldrs/Register
26815	T5	COMMON	1	1	

C&R Building Supply, Autryville NC

8.430 s Jan 20 2021 MiTek Industries, Inc. Fri Jul 29 11:00:08 2022 Page 1
 ID:m3JJ6pNkJbuT4FqrgLho0yzifBs-bGETj6VrjV6Tb_ZGyxOfgRx0KTNUNLSpchXcnytEk5



Overall Truss Height: 11-3-12

Plate Offsets (X,Y)-- [1:0-0-0,0-1-1]

Heel to Peak: Left 19-4-11, Right 14-11-3

Overhang Rake Distance: Left 0-0-0, Right 0-0-0

Qty: 1 Span: 25-6-0 Slope: 8.00/12, 0.00/12 Overhang: 0-0-0, 0-0-0 Loading: 20.0-10.0-0-0-10.0 Spacing: 2-0-0 o.c. Weight: 211 lb Board Feet: 95.67bft Last saved: July 29, 2022

====<<<< CHORDS >>>>====(Sq.Cut=0)

PIECE: B2 0.0 0.0 OL:13-0-0 CL:13-0-0 LS:13-0-0 Qty. 1	PIECE: W4 12.8 43.5 43.5 46.5 OL:5-9-11 CL:5-9-11 LS:5-7-10 Qty. 2
0.0 33.7 (1) T1 OL:9-7-7 CL:9-5-10 LS:9-7-7 (1) T2 OL:9-7-6 CL:9-5-9 LS:9-7-6 Qty. 1	PIECE: W3, W3 59.4 64.3 64.3 25.7 OL:11-5-3 CL:11-5-3 LS:11-0-12
PIECE: T3 33.7 33.7 OL:12-0-5 CL:11-8-10 LS:11-8-10 Qty. 1	
PIECE: B1 0.0 56.3 OL:12-6-0 CL:12-6-0 LS:12-6-0 PL:12-6-0 SCARF: 0-4-4 0-2-6 0-3-2	

====<<<< WEBS >>>>====(Sq.Cut=0)

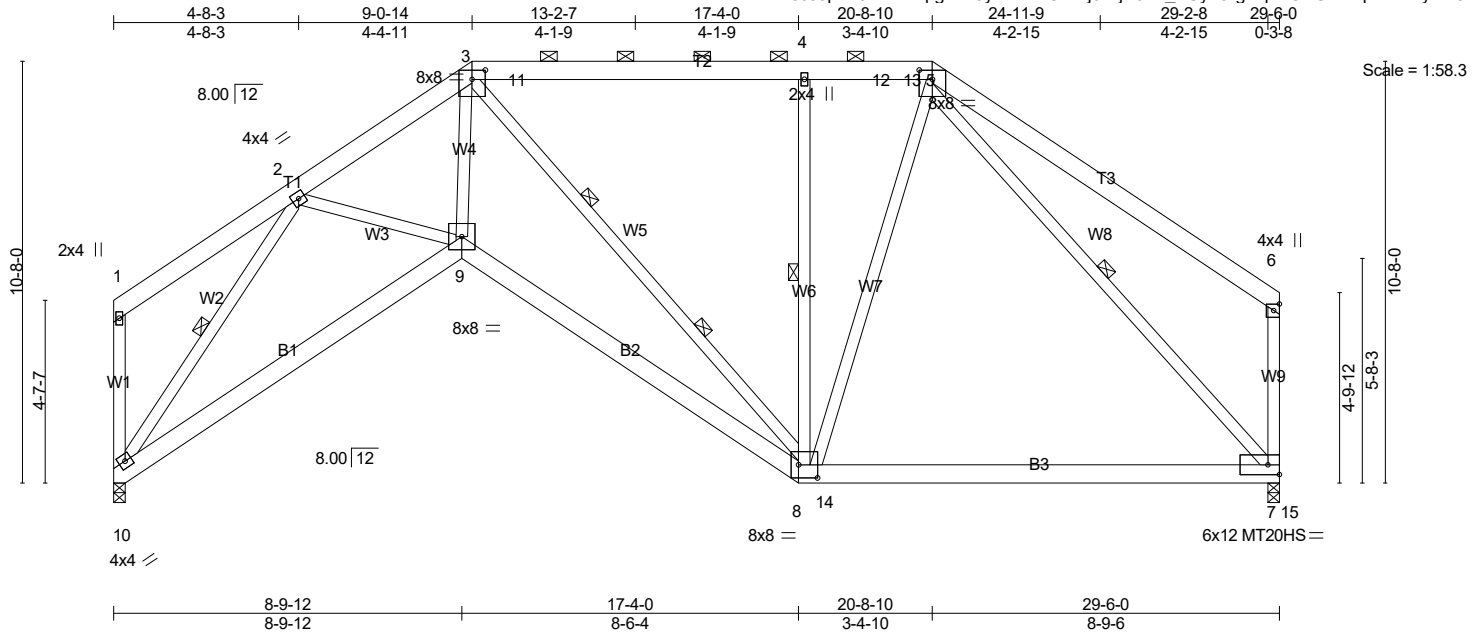
0.0 33.7 (2) W2 OL:7-0-0 CL:6-10-13 LS:7-0-0 (1) W5 OL:4-0-0 CL:3-10-13 LS:4-0-0
PIECE: W1 23.2 33.1 56.9 OL:6-2-11 CL:6-1-15 LS:6-0-1

Job	Truss	Truss Type	Qty	Ply	Whittenton Bldrs/Register
26815	T6	Piggyback Base	1	1	

C&R Building Supply, Autryville NC

8.430 s Jan 20 2021 MiTek Industries, Inc. Fri Jul 29 11:00:08 2022 Page 1

ID:m3JJ6pNkJbuT4FqrgLho0yziFbs-bGETt6Vrjv6Tb_ZGyxOfgRqSkOVUFDSpchXcnytkE5



Scale = 1:58.3

Overall Truss Height: 10-8-0

Plate Offsets (X,Y)-- [3:0-4-0,0-2-13], [5:0-4-0,0-2-13], [8:0-5-12,0-4-0]

Heel to Peak: Left 14-0-1, Right 13-9-13

Overhang Rake Distance: Left 0-0-0, Right 0-0-0

Qty: 1 Span: 29-6-0 Slope: 8.00/12, 8.00/12 Overhang: 0-0-0, 0-0-0 Loading: 20.0-10.0-0-0-10.0 Spacing: 2-0-0 o.c. Camber: 1/8 in Weight: 260 lb Board Feet: 118.00bft Last saved: July 29, 2022

====<<<< CHORDS >>>>====(Sq.Cut=0)

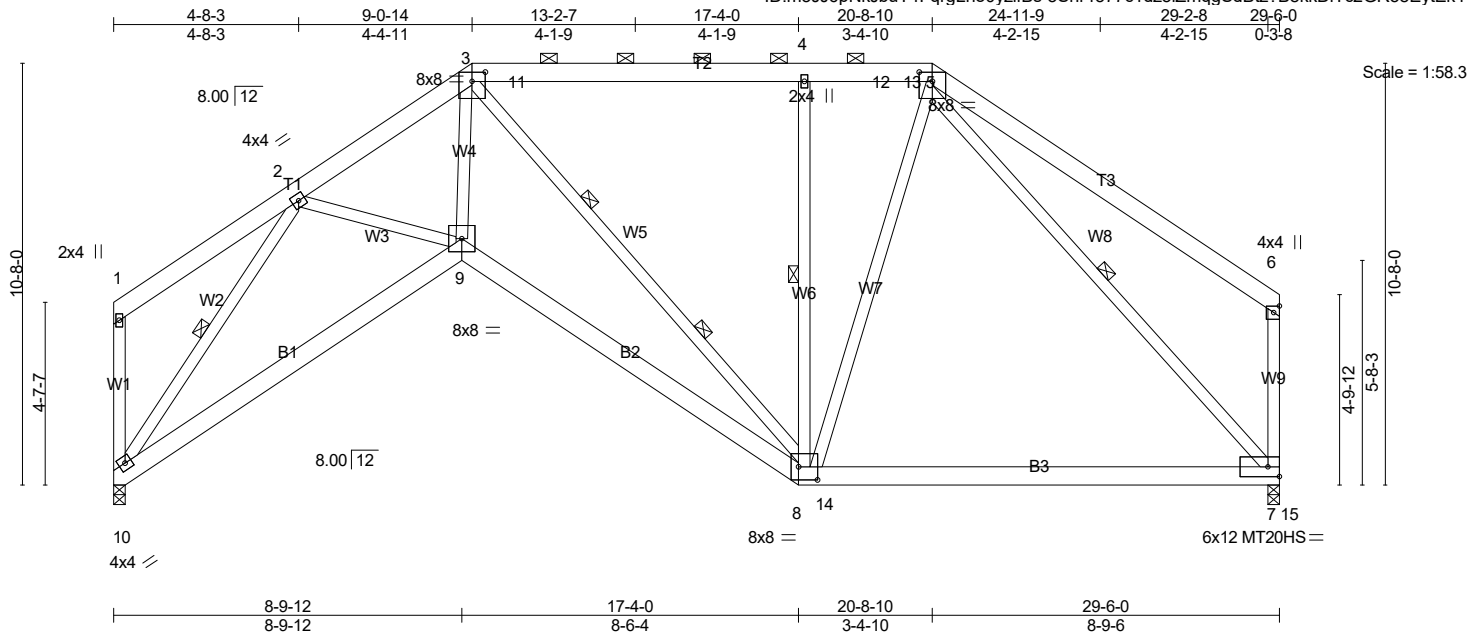
PIECE: B2 33.7 OL:10-6-9 CL:10-2-14 LS:10-2-14 Qty. 1	PIECE: W4 35.4 OL:3-10-12 CL:3-9-7 LS:3-10-10 Qty. 1
0.0 (1) B3 OL:12-2-0 CL:12-2-0 LS:12-2-0 (1) T2 OL:11-7-12 CL:11-7-12 LS:11-7-12 Qty. 1	PIECE: W6 0.0 OL:9-9-0 CL:9-9-0 LS:9-9-0 Qty. 1
33.7 (1) T1 OL:11-2-8 CL:10-10-14 LS:10-10-14 (1) T3 OL:10-10-5 CL:10-6-10 LS:10-6-10 Qty. 1	PIECE: W5 48.8 OL:12-8-8 CL:12-6-8 LS:12-6-8 Qty. 1
PIECE: B1 33.7 OL:10-9-7 CL:10-7-2 LS:10-7-2 PL:10-7-2 TS: 10-7-2 SCARF: NONE BUTT: 0-4-4 SEAT: 0-3-8 BS: 10-2-14 Qty. 1	PIECE: W7 16.8 OL:10-2-12 CL:10-2-3 LS:10-2-3 Qty. 1
<p>====<<<< WEBS >>>>====(Sq.Cut=0)</p> PIECE: W1 33.7 OL:3-10-14 CL:3-8-8 LS:3-8-8 Qty. 1	PIECE: W8 48.0 OL:12-10-5 CL:12-8-6 LS:12-8-6 Qty. 1
PIECE: W9 0.0 OL:4-0-0 CL:3-10-13 LS:4-0-0 Qty. 1	PIECE: W3 13.2 OL:4-1-7 CL:4-1-7 LS:3-11-8 Qty. 1
	PIECE: W2 56.5 OL:7-11-8 CL:7-11-8 LS:7-4-11 Qty. 1

Job	Truss	Truss Type	Qty	Ply	Whittenton Bldrs/Register
26815	T7	Piggyback Base	9	1	

C&R Building Supply, Autryville NC

8.430 s Jan 20 2021 MiTek Industries, Inc. Fri Jul 29 11:00:09 2022 Page 1

ID:m3JJ6pNkJbuT4FqrgLho0yzifBs-3Snr4377c1dz5lZmqgSdBlz?B8kkDiTc2GR58EytEk4



Overall Truss Height: 10-8-0

Plate Offsets (X,Y)-- [3:0-4-0,0-2-13], [5:0-4-0,0-2-13], [8:0-5-12,0-4-0]

Heel to Peak: Left 14-0-1, Right 13-9-13

Overhang Rake Distance: Left 0-0-0, Right 0-0-0

Qty: 9 Span: 29-6-0 Slope: 8.00/12, 8.00/12 Overhang: 0-0-0, 0-0-0 Loading: 20.0-10.0-0-0-10.0 Spacing: 2-0-0 o.c. Camber: 1/8 in Weight: 260 lb Board Feet: 1062.00bft Last saved: July 29, 2022

====<<<< CHORDS >>>>====(Sq.Cut=0)

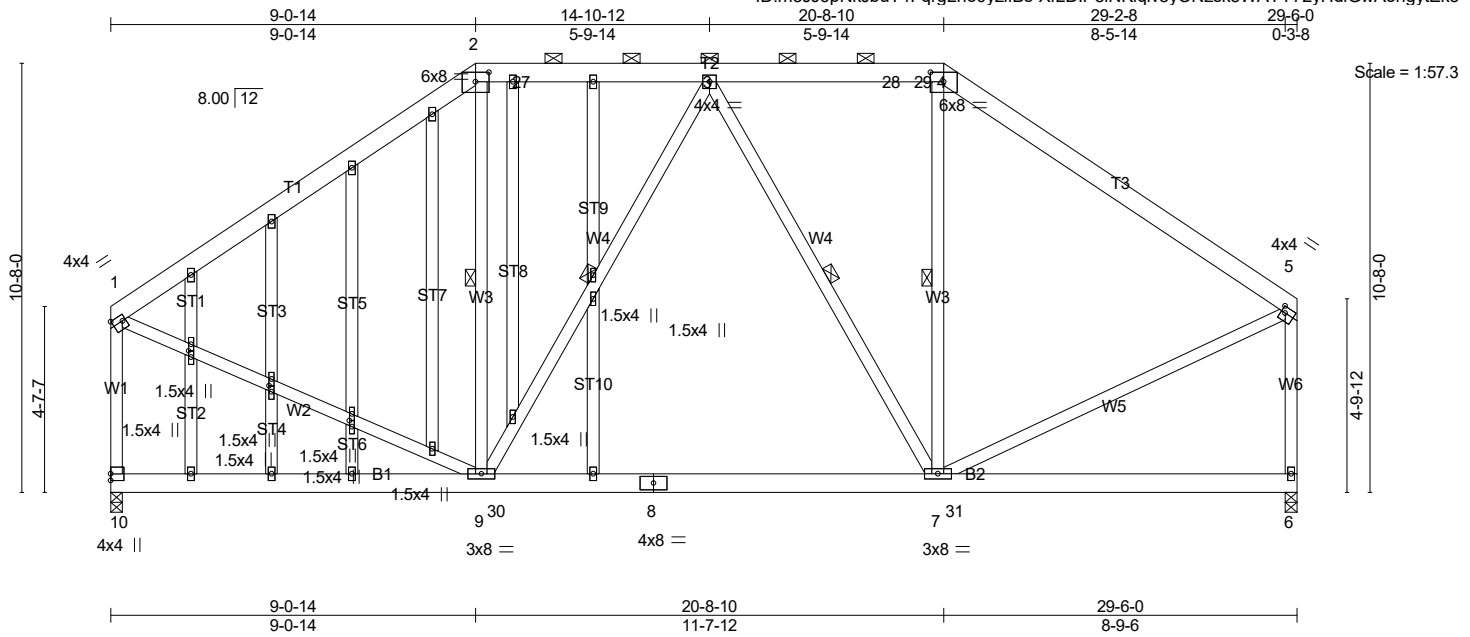
PIECE: B2 33.7 2x6 No.1 SP - 11' OL:10-6-9 CL:10-2-14 LS:10-2-14 33.7	Qty. 9	PIECE: W4 35.4 2x4 No.3 SP - 4' OL:3-10-12 CL:3-9-7 LS:3-10-10 1.7	Qty. 9
0.0 2x6 No.1 SP- (9) B3 OL:12-2-0 CL:12-2-0 LS:12-2-0 (9) T2 OL:11-7-12 CL:11-7-12 LS:11-7-12	0.0	PIECE: W6 0.0 2x4 No.3 SP - 10' OL:9-9-0 CL:9-9-0 LS:9-9-0	Qty. 9
33.7 2x6 No.1 SP- (9) T1 OL:11-2-8 CL:10-10-14 LS:10-10-14 (9) T3 OL:10-10-5 CL:10-6-10 LS:10-6-10	33.7	PIECE: W5 48.8 2x4 No.3 SP - 13' OL:12-8-8 CL:12-6-8 LS:12-6-8	Qty. 9
PIECE: B1 33.7 2x6 No.1 SP - 11' OL:10-9-7 CL:10-7-2 LS:10-7-2 PL:10-7-2 TS: 10-7-2 SCARF: NONE BUTT: 0-4-4 SEAT: 0-3-8 BS: 10-2-14	Qty. 9	PIECE: W7 16.8 2x4 No.3 SP - 11' OL:10-2-12 CL:10-2-3 LS:10-2-3	Qty. 9
====<<<< WEBS >>>>====(Sq.Cut=0)		PIECE: W8 48.0 2x4 No.3 SP - 13' OL:12-10-5 CL:12-8-6 LS:12-8-6	Qty. 9
PIECE: W1 33.7 2x4 No.2 SP - 4' OL:3-10-14 CL:3-8-8 LS:3-8-8	Qty. 9	PIECE: W3 13.2 2x4 No.3 SP - 5' OL:4-1-7 CL:4-1-7 LS:3-11-8	Qty. 9
PIECE: W9 0.0 2x4 No.2 SP - 4' OL:4-0-0 CL:3-10-13 LS:4-0-0	Qty. 9	PIECE: W2 56.5 2x4 No.3 SP - 8' OL:7-11-8 CL:7-11-8 LS:7-4-11	Qty. 9

Job	Truss	Truss Type	Qty	Ply	Whittenton Bldrs/Register
26815	T8	GABLE II	1	1	

C&R Building Supply, Autryville NC

8.430 s Jan 20 2021 MiTek Industries, Inc. Fri Jul 29 11:00:10 2022 Page 1

ID:m3JJ6pNkJbuT4FqrgLho0yzifBs-XfLDIP8INKIqiv8yONzsk5WAYY72yHdIGwAehgytEk3



Overall Truss Height: 10-8-0

Plate Offsets (X,Y)-- [1:Edge,0-1-12], [2:0-4-0,0-2-13], [4:0-4-0,0-2-13], [5:0-1-4,0-1-12], [14:0-1-13,0-0-12], [17:0-1-13,0-0-12], [20:0-1-13,0-0-12]

Heel to Peak: Left 14-0-1, Right 13-9-13

Overhang Rake Distance: Left 0-0-0, Right 0-0-0

Qty: 1 Span: 29-6-0 Slope: 8.00/12, 0.00/12 Overhang: 0-0-0, 0-0-0 Loading: 20.0-10.0-0-0-10.0 Spacing: 2-0-0 o.c. Camber: 1/16 in Weight: 317 lb Board Feet: 147.00bft Last saved: July 29, 2022

NOTES-

1) All plates are 2x4 MT20 unless otherwise indicated.

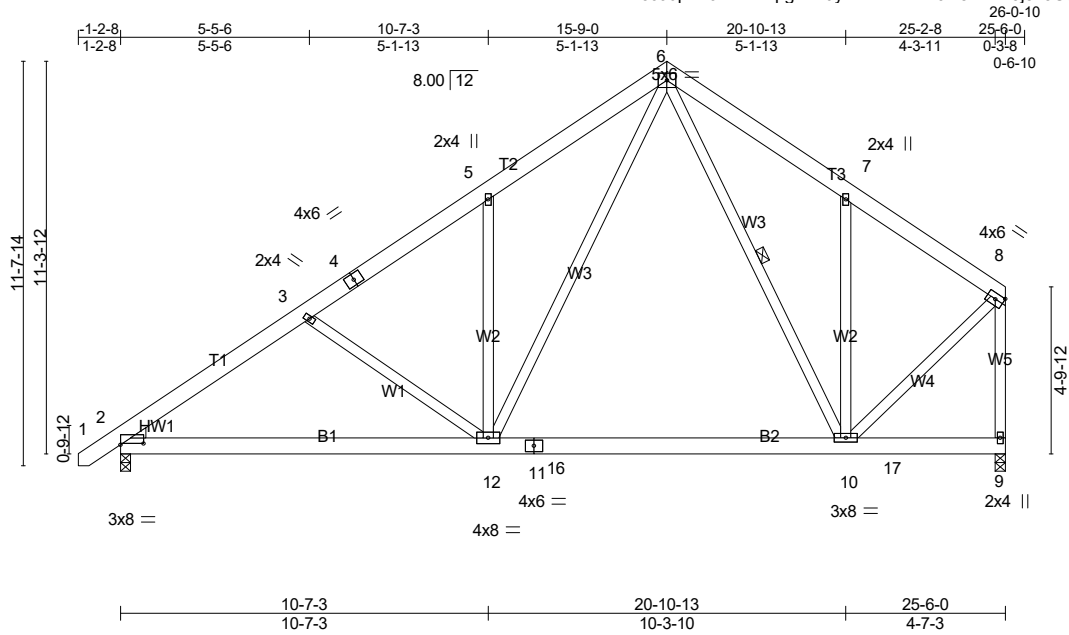
====<<<< CHORDS >>>>====(Sq.Cut=0)

<p>0.0 0.0</p> <p>(1) B2 OL:16-0-0 CL:16-0-0 LS:16-0-0 (1) B1 OL:13-6-0 CL:13-6-0 LS:13-6-0 (1) T2 OL:11-7-12 CL:11-7-12 LS:11-7-12</p>	<p>PIECE: W2 Qty. 1</p> <p>23.4 32.9</p> <p>66.6 23.4</p> <p>OL:9-6-13 CL:9-6-13 LS:9-4-15</p>
<p>33.7 33.7</p> <p>(1) T1 OL:11-2-8 CL:10-10-14 LS:10-10-14 (1) T3 OL:10-10-5 CL:10-6-10 LS:10-6-10</p>	<p>====<<<< OTHERS >>>>====(Sq.Cut=0)</p> <p>33.7 23.4</p> <p>(1) ST7 OL:8-5-12 CL:8-3-13 LS:8-5-12 (1) ST5 OL:6-3-6 CL:6-1-7 LS:6-3-6 (1) ST3 OL:4-0-15 CL:3-11-1 LS:4-0-15 (1) ST1 OL:1-10-9 CL:1-8-10 LS:1-10-9</p>
<p>PIECE: W3, W3 Qty. 2</p> <p>0.0 0.0</p> <p>OL:9-9-0 CL:9-9-0 LS:9-9-0</p>	<p>0.0 23.4</p> <p>(1) ST2 OL:2-11-10 CL:2-10-14 LS:2-11-10 (1) ST4 OL:2-1-3 CL:2-0-7 LS:2-1-3 (1) ST6 OL:1-2-13 CL:1-2-1 LS:1-2-13</p>
<p>0.0 33.7</p> <p>(1) W6 OL:4-0-0 CL:3-10-13 LS:4-0-0 (1) W1 OL:3-9-10 CL:3-8-8 LS:3-9-10</p>	<p>0.0 60.4</p> <p>(1) ST8 OL:8-7-2 CL:8-4-0 LS:8-7-2 (1) ST9 OL:5-0-13 CL:4-9-11 LS:5-0-13 (1) ST10 OL:4-7-5 CL:4-4-3 LS:4-7-5</p>
<p>PIECE: W4, W4 Qty. 2</p> <p>29.6 60.4</p> <p>60.4 29.6</p> <p>OL:11-2-8 CL:11-2-8 LS:10-10-7</p>	<p>PIECE: W5 Qty. 1</p> <p>25.2 31.1</p> <p>64.8 25.2</p> <p>OL:9-4-10 CL:9-4-10 LS:9-2-12</p>

Job	Truss	Truss Type	Qty	Ply	Whittenton Bldrs/Register
26815	T9	FAN	2	1	

C&R Building Supply, Autryville NC

8.430 s Jan 20 2021 MiTek Industries, Inc. Fri Jul 29 11:00:11 2022 Page 1
 ID:m3JJ6pNkJbuT4FqrgLho0yzifBs-?rvbV19N8euhK3j8x5U5G12SGyVzhk2uVawBD6ytEk2



Overall Truss Height: 11-7-14

Plate Offsets (X,Y)-- [2:0-8-0,0-0-7]

Heel to Peak: Left 19-4-11, Right 14-11-3

Overhang Rake Distance: Left 1-1-1, Right 0-0-0

Qty: 2 Span: 25-6-0 Slope: 8.00/12, 0.00/12 Overhang: 1-2-8, 0-0-0 Loading: 20.0-10.0-0-0-10.0 Spacing: 2-0-0 o.c. Weight: 215 lb Board Feet: 194.67bft Last saved: July 29, 2022

====<<<< CHORDS >>>>====(Sq.Cut=0)

PIECE: B2	Qty. 2
0.0 0.0	
OL:13-7-0 CL:13-7-0 LS:13-7-0	
PIECE: T2	Qty. 2
0.0 33.7	
OL:11-0-0 CL:10-10-3 LS:11-0-0	
PIECE: T3	Qty. 2
33.7 33.7	
OL:12-0-5 CL:11-8-10 LS:11-8-10	
PIECE: T1	Qty. 2
0.0 33.7	
OL:9-6-14 CL:9-6-7 LS:9-4-9 PL:9-8-4	
SCARF: 0-4-3	
PIECE: B1	Qty. 2
0.0 56.3	
OL:11-11-0 CL:11-11-0 LS:11-11-0 PL:11-11-0	
SCARF: 0-4-4	

====<<<< WEBS >>>>====(Sq.Cut=0)

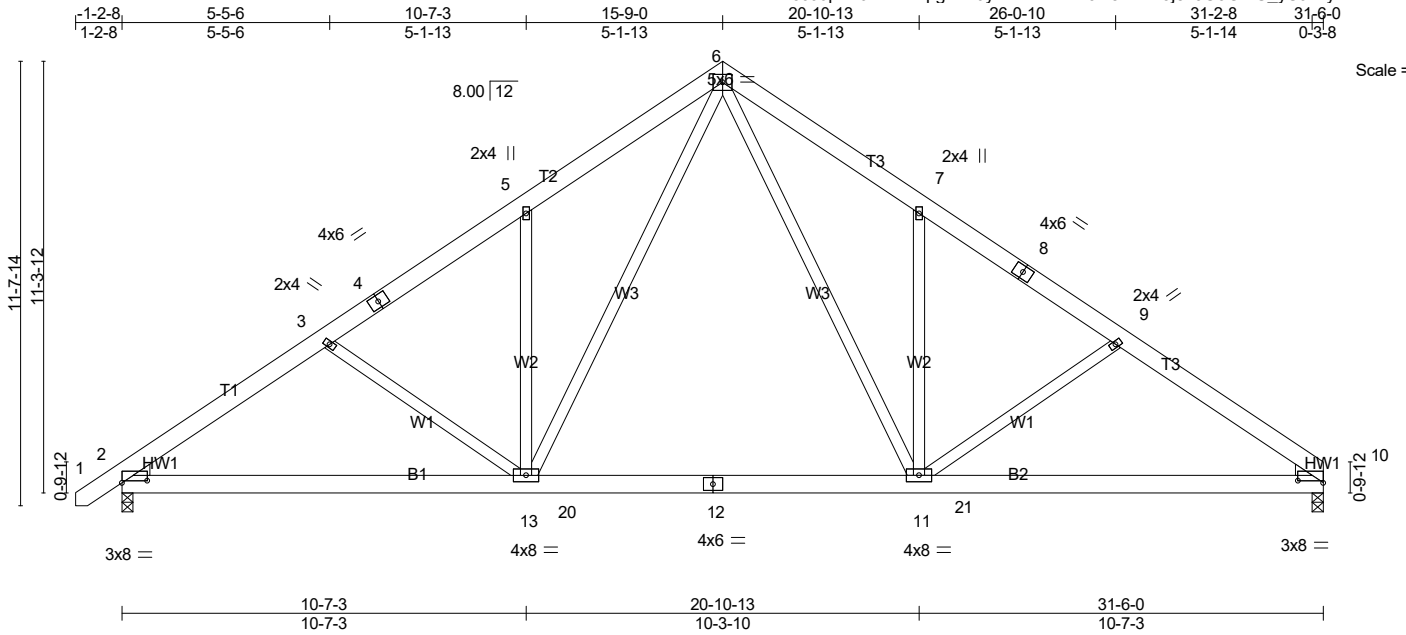
0.0 33.7	
(4) W2 OL:6-11-9 CL:6-10-7 LS:6-11-9	
(2) W5 OL:4-0-0 CL:3-10-13 LS:4-0-0	
PIECE: W1	Qty. 2
21.9 34.5	
OL:6-1-9 CL:6-0-14 LS:5-11-0	
PIECE: W4	Qty. 2
12.5 43.9	
OL:5-9-4 CL:5-9-4 LS:5-7-3	
PIECE: W3, W3	Qty. 4
59.6 64.1	
OL:11-5-7 CL:11-5-7 LS:11-1-0	
====<<<< OTHERS >>>>====(Sq.Cut=0)	
PIECE: HW1	Qty. 2
56.3 0.0	
OL:0-5-4 CL:0-2-10 LS:0-5-4	

Job	Truss	Truss Type	Qty	Ply	Whittenton Bldrs/Register
26815	T10	FAN	1	1	

C&R Building Supply, Autryville NC

8.430 s Jan 20 2021 MiTek Industries, Inc. Fri Jul 29 11:00:11 2022 Page 1

ID:m3JJ6pNkJbuT4FqrgLho0yziFBs-?rvbV19N8euhK3j8x5U5GI2U_yUJhkyuVawBD6ytEk2



Scale = 1:60.4

Overall Truss Height: 11-7-14

Plate Offsets (X,Y)-- [2:0-8-0,0-0-11], [10:0-8-0,0-0-11]

Heel to Peak: 19-4-11

Overhang Rake Distance: Left 1-1-1, Right 0-0-0

Qty: 1 Span: 31-6-0 Slope: 8.00/12, 0.00/12 Overhang: 1-2-8, 0-0-0 Loading: 20.0-10.0-0-0-10.0 Spacing: 2-0-0 o.c. Camber: 1/16 in Weight: 241 lb Board Feet: 109.00bft Last saved: July 29, 2022

====<<<< CHORDS >>>>====(Sq.Cut=0)

<p>0.0 33.7</p> <p>(1) T2 OL:11-0-0 CL:10-10-3 LS:11-0-0</p> <p>(2) T3 OL:9-7-7 CL:9-5-10 LS:9-7-7</p>	<p>PIECE: W3, W3 Qty. 2</p> <p>59.6 64.1</p> <p>64.1 25.9</p> <p>OL:11-5-7 CL:11-5-7 LS:11-1-0</p>
<p>PIECE: T1 Qty. 1</p> <p>0.0 56.3</p> <p>OL:9-6-14 CL:9-6-7 LS:9-4-9 PL:9-8-4</p> <p>SCARF: 0-4-3</p> <p></p>	<p>PIECE: HW1, HW1 Qty. 2</p> <p>56.3 0.0</p> <p>OL:0-5-4 CL:0-2-10 LS:0-5-4</p>
<p>0.0 56.3</p> <p>(1) B2 OL:16-0-0 CL:16-0-0 LS:16-0-0 PL:16-0-0</p> <p>(1) B1 OL:15-6-0 CL:15-6-0 LS:15-6-0 PL:15-6-0</p> <p>SCARF: 0-4-4</p> <p></p>	

====<<<< WEBS >>>>====(Sq.Cut=0)

<p>PIECE: W2, W2 Qty. 2</p> <p>0.0 33.7</p> <p>OL:6-11-9 CL:6-10-7 LS:6-11-9</p>	<p>PIECE: W1, W1 Qty. 2</p> <p>21.9 55.5</p> <p>OL:6-1-9 CL:6-0-14 LS:5-11-0</p>
---	---

Job	Truss	Truss Type	Qty	Ply	Whntenton Bldrs/Register
26815	T11	Roof Special	1	1	

C&R Building Supply, Autryville NC

8.430 s Jan 20 2021 MiTek Industries, Inc. Fri Jul 29 11:00:12 2022 Page 1
 ID:m3JJ6pNkJbuT4FqrgLho0yzifBs-T1T_j59?vY0XyCHLV00KpWbemMjZQ2a2kEflZytEk1

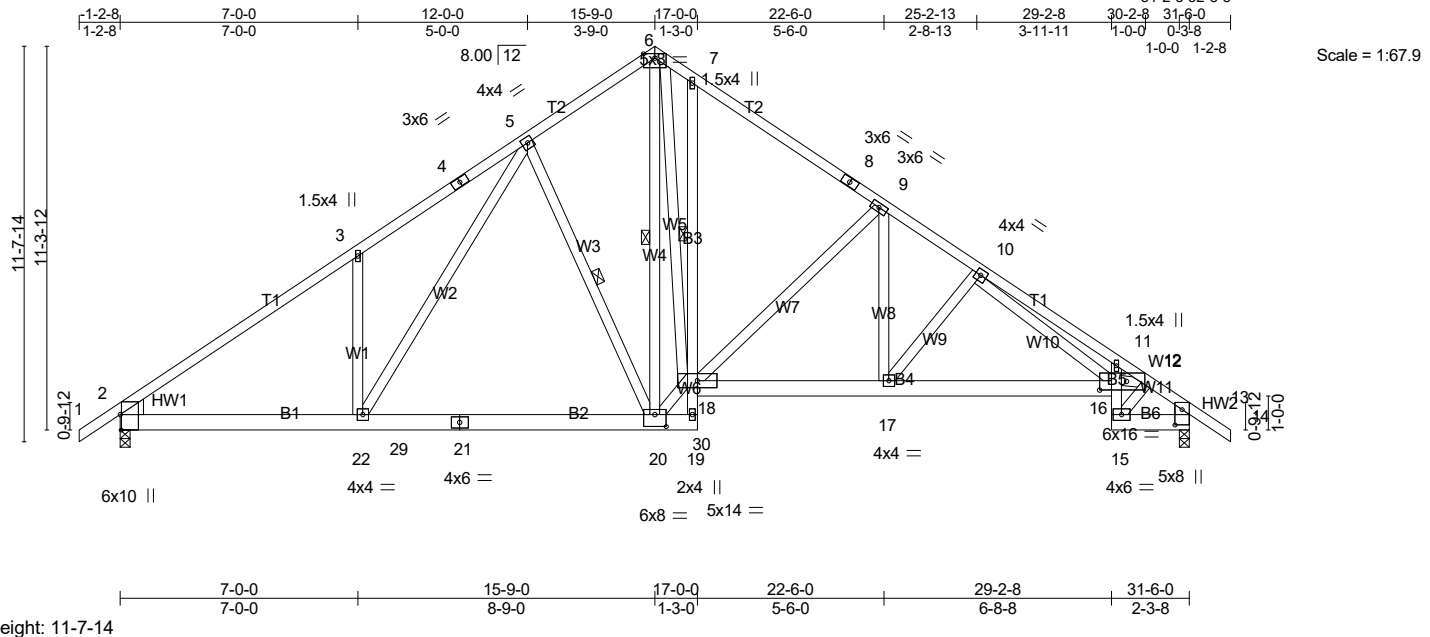


Plate Offsets (X,Y)-- [2:0-5-8,Edge], [13:0-5-7,0-2-8], [16:0-9-8,0-3-0], [20:0-4-0,0-4-4]

Heel to Peak: 19-4-11

Overhang Rake Distance: Left 1-5-6, Right 1-5-6

Qty: 1 Span: 31-6-0 Slope: 8.00/12, 0.00/12 Overhang: 1-2-8, 1-2-8 Loading: 20.0-10.0-0-0-10.0 Spacing: 2-0-0 o.c. Camber: 1/8 in Weight: 255 lb Board Feet: 120.00bft Last saved: July 29, 2022

====<<<< CHORDS >>>>====(Sq.Cut=0)

====<<<< OTHERS >>>>====(Sq.Cut=0)

<p>0.0 33.7</p> <p>2x4 2400F 2.0E SP-</p> <p>(2) T1 OL:13-6-15 CL:13-5-12 LS:13-6-15 (2) T2 OL:7-0-0 CL:6-10-13 LS:7-0-0</p>	<p>5.5 50.9</p> <p>2x4 No.3 SP-</p> <p>(1) W9 OL:4-1-6 CL:4-1-3 LS:3-11-15 (1) W11 OL:1-1-9 CL:1-1-7 LS:1-0-2</p>	<p>PIECE: HW2 Qty. 1</p> <p> 0.0</p> <p>2x4 No.3 SP - 1'</p> <p>OL:0-5-4 CL:0-2-10 LS:0-5-4</p>
<p>PIECE: B5 Qty. 1</p> <p>0.0 33.7</p> <p>2x4 No.2 SP - 2'</p> <p>OL:1-6-6 CL:1-5-3 LS:1-6-6</p>	<p>PIECE: W10 Qty. 1</p> <p>2.0 37.1</p> <p>2x4 No.3 SP - 5'</p> <p>OL:4-11-7 CL:4-11-6 LS:4-10-0</p>	<p>PIECE: HW1 Qty. 1</p> <p> 0.0</p> <p>2x6 No.1 SP - 1'</p> <p>OL:0-8-4 CL:0-4-2 LS:0-8-4</p>
<p>PIECE: B3 Qty. 1</p> <p>0.0 33.7</p> <p>2x4 No.3 SP - 10'</p> <p>OL:9-10-6 CL:9-9-3 LS:9-10-6</p>	<p>PIECE: W4 Qty. 1</p> <p>0.0 33.7</p> <p>2x4 No.3 SP - 11'</p> <p>OL:10-6-1 CL:10-6-1 LS:10-4-14</p>	
<p>0.0 0.0</p> <p>2x6 No.1 SP-</p> <p>(1) B4 OL:12-2-8 CL:12-2-8 LS:12-2-8 (1) B1 OL:10-0-0 CL:10-0-0 LS:10-0-0 (1) B2 OL:7-0-0 CL:7-0-0 LS:7-0-0 (1) B6 OL:2-3-8 CL:2-3-8 LS:2-3-8</p>	<p>PIECE: W12 Qty. 1</p> <p>5.3 34.1</p> <p>2x4 No.3 SP - 1'</p> <p>OL:0-7-4 CL:0-7-1 LS:0-5-12</p>	
<p>====<<<< WEBS >>>>====(Sq.Cut=0)</p> <p>PIECE: W5 Qty. 1</p> <p>47.7 36.9</p> <p>2x4 No.3 SP - 10'</p> <p>OL:9-6-5 CL:9-3-1 LS:9-6-5</p>	<p>PIECE: W6 Qty. 1</p> <p>50.9 39.1</p> <p>2x4 No.3 SP - 2'</p> <p>OL:1-5-10 CL:1-3-7 LS:1-3-7</p>	
<p>0.0 33.7</p> <p>2x4 No.3 SP-</p> <p>(1) W8 OL:5-1-3 CL:5-0-1 LS:5-1-3 (1) W1 OL:4-9-3 CL:4-8-1 LS:4-9-3</p>	<p>PIECE: W2 Qty. 1</p> <p>58.8 64.9</p> <p>2x4 No.3 SP - 10'</p> <p>OL:9-4-5 CL:9-4-5 LS:9-0-6</p>	
	<p>PIECE: W7 Qty. 1</p> <p>12.7 43.6</p> <p>2x4 No.3 SP - 8'</p> <p>OL:7-4-12 CL:7-4-12 LS:7-2-11</p>	
	<p>PIECE: W3 Qty. 1</p> <p>170.6 65.8</p> <p>2x4 No.3 SP - 9'</p> <p>OL:8-9-10 CL:8-9-5 LS:8-5-12</p>	

Job	Truss	Truss Type	Qty	Ply	Whntenton Bldrs/Register
26815	T12	Roof Special	1	1	

C&R Building Supply, Autryville NC

8.430 s Jan 20 2021 MiTek Industries, Inc. Fri Jul 29 11:00:13 2022 Page 1

ID:m3JJ6pNkJbuT4FqrgLho0yzifBs-xD1MwRAdgF8OaMsX3VXZMj8pWl3o9VqByuPIH?ytEk0

31-2-8 32-8-8

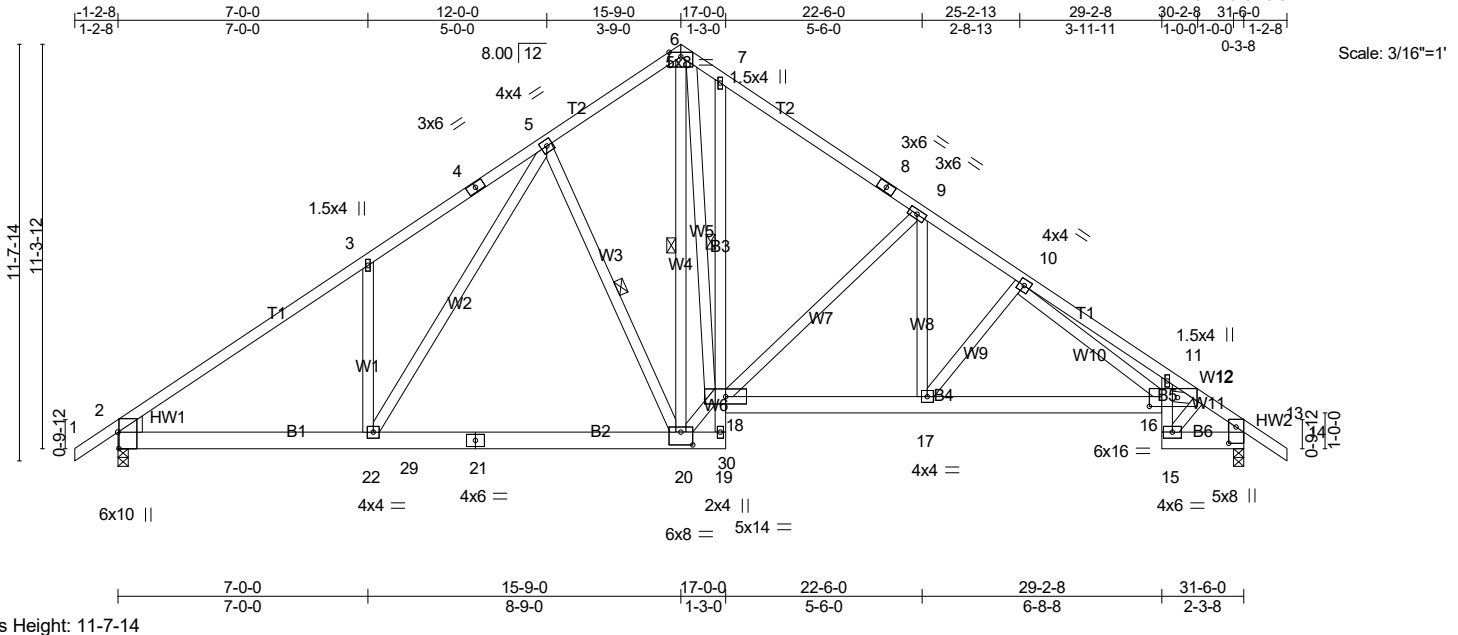


Plate Offsets (X,Y)-- [2:0-5-8,Edge], [13:0-5-7,0-2-8], [16:0-9-8,0-3-0], [20:0-4-0,0-4-4]

Heel to Peak: 19-4-11

Overhang Rake Distance: Left 1-5-6, Right 1-5-6

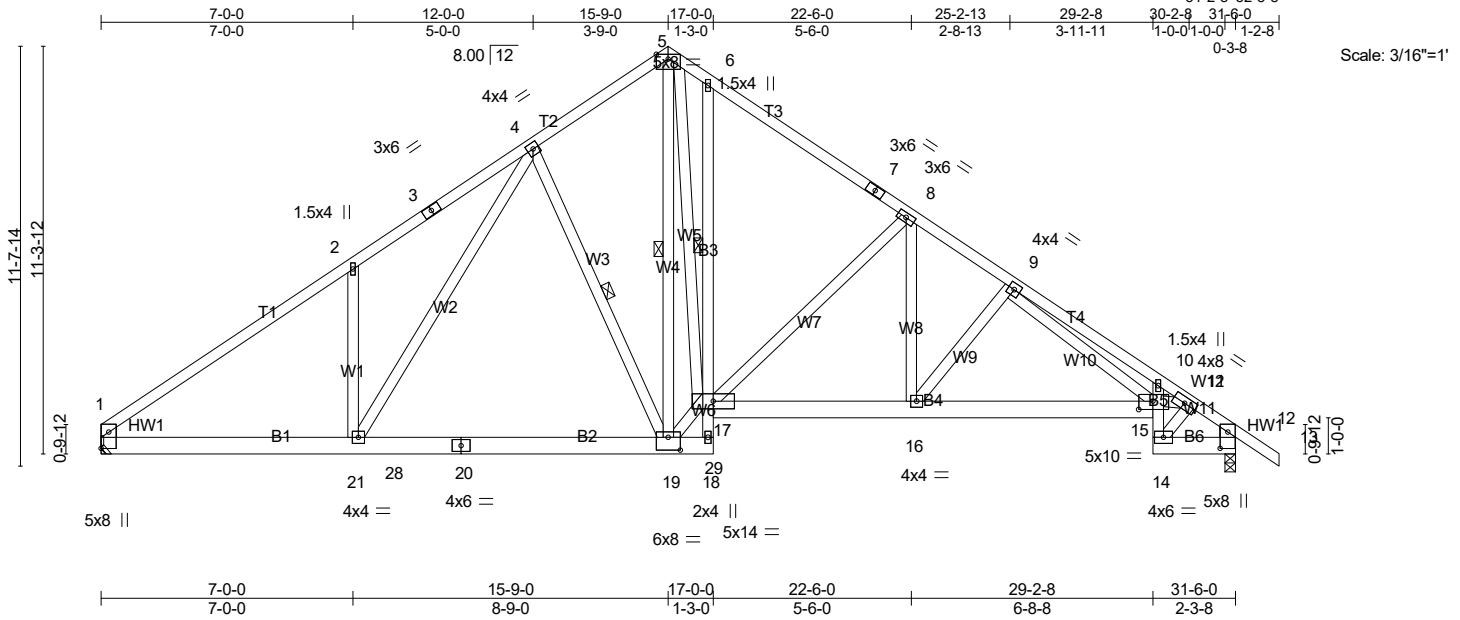
Qty: 1 Span: 31-6-0 Slope: 8.00/12, 0.00/12 Overhang: 1-2-8, 1-2-8 Loading: 20.0-10.0-0-0-10.0 Spacing: 2-0-0 o.c. Camber: 1/8 in Weight: 255 lb Board Feet: 120.00bft Last saved: July 29, 2022

====<<<< CHORDS >>>>====(Sq.Cut=0)		====<<<< OTHERS >>>>====(Sq.Cut=0)
0.0 33.7 (2) T1 OL:13-6-15 CL:13-5-12 LS:13-6-15 (2) T2 OL:7-0-0 CL:6-10-13 LS:7-0-0	5.5 50.9 (1) W9 OL:4-1-6 CL:4-1-3 LS:3-11-15 (1) W11 OL:1-1-9 CL:1-1-7 LS:1-0-2	PIECE: HW2 Qty. 1 0.0 56.3 OL:0-5-4 CL:0-2-10 LS:0-5-4
PIECE: B5 Qty. 1 0.0 33.7 OL:1-6-6 CL:1-5-3 LS:1-6-6	PIECE: W10 Qty. 1 2.0 37.1 OL:4-11-7 CL:4-11-6 LS:4-10-0	PIECE: HW1 Qty. 1 0.0 56.3 OL:0-8-4 CL:0-4-2 LS:0-8-4
PIECE: B3 Qty. 1 0.0 33.7 OL:9-10-6 CL:9-9-3 LS:9-10-6	PIECE: W4 Qty. 1 0.0 33.7 OL:10-6-1 CL:10-6-1 LS:10-4-14	
0.0 0.0 (1) B4 OL:12-2-8 CL:12-2-8 LS:12-2-8 (1) B1 OL:10-0-0 CL:10-0-0 LS:10-0-0 (1) B2 OL:7-0-0 CL:7-0-0 LS:7-0-0 (1) B6 OL:2-3-8 CL:2-3-8 LS:2-3-8	PIECE: W12 Qty. 1 5.3 34.1 OL:0-7-4 CL:0-7-1 LS:0-5-12	
====<<<< WEBS >>>>====(Sq.Cut=0)	PIECE: W6 Qty. 1 50.9 39.1 OL:1-5-10 CL:1-3-7 LS:1-3-7	
PIECE: W5 Qty. 1 47.7 36.9 OL:9-6-5 CL:9-3-1 LS:9-6-5	PIECE: W2 Qty. 1 58.8 64.9 OL:9-4-5 CL:9-4-5 LS:9-0-6	
0.0 33.7 (1) W8 OL:5-1-3 CL:5-0-1 LS:5-1-3 (1) W1 OL:4-9-3 CL:4-8-1 LS:4-9-3	PIECE: W7 Qty. 1 12.7 43.6 OL:7-4-12 CL:7-4-12 LS:7-2-11	
	PIECE: W3 Qty. 1 170.6 65.8 65.8 OL:8-9-10 CL:8-9-5 LS:8-5-12	

Job	Truss	Truss Type	Qty	Ply	Whittenton Bldrs/Register
26815	T13	ROOF SPECIAL	3	1	

C&R Building Supply, Autryville NC

8.430 s Jan 20 2021 MiTek Industries, Inc. Fri Jul 29 11:00:13 2022 Page 1
 ID:m3JJ6pNkJbuT4FqrgLho0yziFs-xD1MwRADgF8OaMsX3VXZMj8pel3n9VpByuPIH?ytEk0
 31-2-8 32-8-8
 1-0-0 1-0-0 1-2-8
 0-3-8



Overall Truss Height: 11-7-14

Plate Offsets (X,Y)-- [1:0-5-7,0-2-8], [12:0-5-7,0-2-8], [15:0-4-12,0-2-12], [19:0-4-0,0-4-4]

Heel to Peak: 19-4-11

Overhang Rake Distance: Left 0-0-0, Right 1-5-6

Qty: 3 Span: 31-6-0 Slope: 8.00/12, 0.00/12 Overhang: 0-0-0, 1-2-8 Loading: 20.0-10.0-0.0-10.0 Spacing: 2-0-0 o.c. Camber: 1/8 in Weight: 252 lb Board Feet: 357.00bft Last saved: July 29, 2022

====<<<< CHORDS >>>>====(Sq.Cut=0)

====<<<< OTHERS >>>>====(Sq.Cut=0)

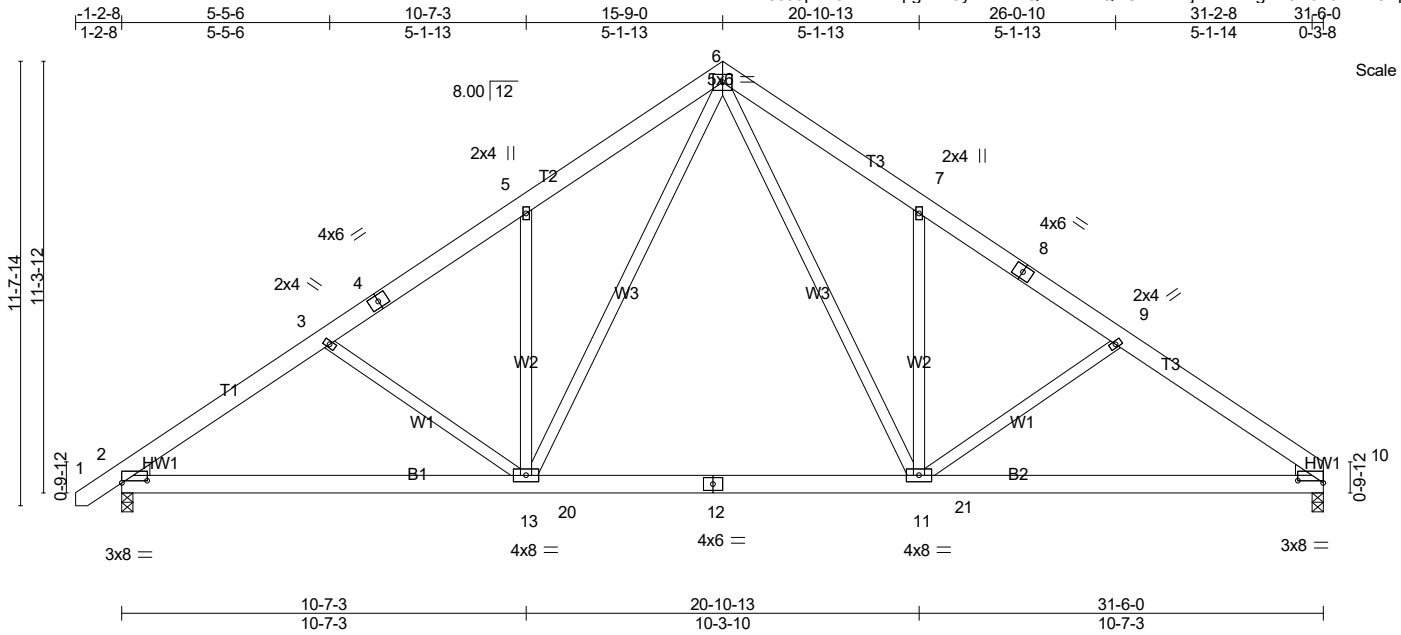
0.0 2x4 2400F 2.0E SP- (3) T4 OL:13-6-15 CL:13-5-12 LS:13-6-15 (3) T1 OL:11-1-8 CL:11-0-5 LS:11-1-8 (3) T2 OL:8-0-0 CL:7-10-13 LS:8-0-0 (3) T3 OL:7-0-0 CL:6-10-13 LS:7-0-0 PIECE: B5 Qty: 3 0.0 2x4 No.2 SP - 2' OL:1-6-6 CL:1-5-3 LS:1-6-6 PIECE: B3 Qty: 3 0.0 2x4 No.3 SP - 10' OL:9-10-6 CL:9-9-3 LS:9-10-6 0.0 2x6 No.1 SP- (3) B4 OL:12-2-8 CL:12-2-8 LS:12-2-8 (3) B1 OL:10-0-0 CL:10-0-0 LS:10-0-0 (3) B2 OL:7-0-0 CL:7-0-0 LS:7-0-0 (3) B6 OL:2-3-8 CL:2-3-8 LS:2-3-8 ====<<<< WEBS >>>>====(Sq.Cut=0) PIECE: W5 Qty: 3 47.7 2x4 No.3 SP - 10' OL:9-6-5 CL:9-3-1 LS:9-6-5 0.0 2x4 No.3 SP- (3) W8 OL:5-1-3 CL:5-0-1 LS:5-1-3 (3) W1 OL:4-9-3 CL:4-8-1 LS:4-9-3	5.5 2x4 No.3 SP- (3) W9 OL:4-1-6 CL:4-1-3 LS:3-11-15 (3) W11 OL:1-1-9 CL:1-1-7 LS:1-0-2 PIECE: W10 Qty: 3 2.0 2x4 No.3 SP - 5' OL:4-11-7 CL:4-11-6 LS:4-10-0 PIECE: W4 Qty: 3 0.0 2x4 No.3 SP - 11' OL:10-6-1 CL:10-6-1 LS:10-4-14 PIECE: W12 Qty: 3 5.3 2x4 No.3 SP - 1' OL:0-7-4 CL:0-7-1 LS:0-5-12 PIECE: W6 Qty: 3 50.9 2x4 No.3 SP - 2' OL:1-5-10 CL:1-3-7 LS:1-3-7 PIECE: W2 Qty: 3 58.8 2x4 No.3 SP - 10' OL:9-4-5 CL:9-4-5 LS:9-0-6 PIECE: W7 Qty: 3 12.7 2x4 No.3 SP - 8' OL:7-4-12 CL:7-4-12 LS:7-2-11 PIECE: W3 Qty: 3 170.6 2x4 No.3 SP - 9' OL:8-9-10 CL:8-9-5 LS:8-5-12	PIECE: HW1, HW1 Qty: 6 0.0 2x4 No.3 SP - 1' OL:0-5-4 CL:0-2-10 LS:0-5-4
--	--	---

Job	Truss	Truss Type	Qty	Ply	Whittenton Bldrs/Register
26815	T14	FAN	1	1	

C&R Building Supply, Autryville NC

8.430 s Jan 20 2021 MiTek Industries, Inc. Fri Jul 29 11:00:14 2022 Page 1

ID:m3JJ6pNkJbuT4FqrgLho0yzifBs-PQbk7nBFQZGFBWRjdD2ouxg?E9V0u5iLBY8rqRytEk?



Scale = 1:60.4

Overall Truss Height: 11-7-14

Plate Offsets (X,Y)-- [2:0-8-0,0-0-11], [10:0-8-0,0-0-11]

Heel to Peak: 19-4-11

Overhang Rake Distance: Left 1-1-1, Right 0-0-0

Qty: 1 Span: 31-6-0 Slope: 8.00/12, 0.00/12 Overhang: 1-2-8, 0-0-0 Loading: 20.0-10.0-0-0-10.0 Spacing: 2-0-0 o.c. Camber: 1/16 in Weight: 241 lb Board Feet: 109.00bft Last saved: July 29, 2022

====<<<< CHORDS >>>>====(Sq.Cut=0)

<p>0.0 33.7</p> <p>(1) T2 OL:11-0-0 CL:10-10-3 LS:11-0-0</p> <p>(2) T3 OL:9-7-6 CL:9-5-9 LS:9-7-6</p>	<p>PIECE: W3, W3 Qty. 2</p> <p>59.6 64.1</p> <p>64.1 25.9</p> <p>OL:11-5-7 CL:11-5-7 LS:11-1-0</p>
<p>PIECE: T1 Qty. 1</p> <p>0.0 56.3</p> <p>OL:9-6-14 CL:9-6-7 LS:9-4-9 PL:9-8-4</p> <p>SCARF: 0-4-3</p> <p></p>	<p>====<<<< OTHERS >>>>====(Sq.Cut=0)</p> <p>PIECE: HW1, HW1 Qty. 2</p> <p>56.3 0.0</p> <p>OL:0-5-4 CL:0-2-10 LS:0-5-4</p>
<p>0.0 56.3</p> <p>(1) B2 OL:16-0-0 CL:16-0-0 LS:16-0-0 PL:16-0-0</p> <p>(1) B1 OL:15-6-0 CL:15-6-0 LS:15-6-0 PL:15-6-0</p> <p>SCARF: 0-4-4</p> <p></p>	

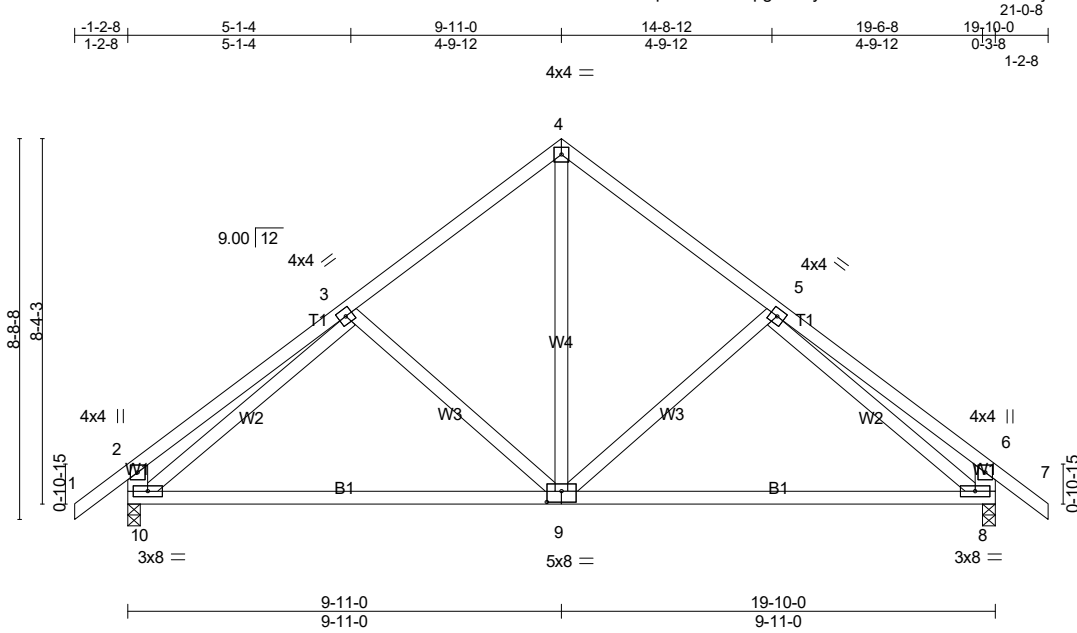
====<<<< WEBS >>>>====(Sq.Cut=0)

<p>PIECE: W2, W2 Qty. 2</p> <p>0.0 33.7</p> <p>OL:6-11-9 CL:6-10-7 LS:6-11-9</p>	<p>PIECE: W1, W1 Qty. 2</p> <p>21.9 55.5</p> <p>OL:6-1-9 CL:6-0-14 LS:5-11-0</p>
---	---

Job	Truss	Truss Type	Qty	Ply	Whittenton Bldrs/Register
26815	T15	Common	3	1	

C&R Building Supply, Autryville NC

8.430 s Jan 20 2021 MiTek Industries, Inc. Fri Jul 29 11:00:14 2022 Page 1
 ID:m3JJ6pNkJbuT4FqrgLho0yzifBs-PQbk7nBFQZGFBWRjdD2ouxg_I9Whu4hLBY8rqRytEk?



Scale = 1:52.7

Overall Truss Height: 8-8-8

Plate Offsets (X,Y)-- [9:0-4-0,0-3-0]

Heel to Peak: 12-11-9

Overhang Rake Distance: Left 1-6-2, Right 1-6-2

Qty: 3 Span: 19-10-0 Slope: 9.00/12, 0.00/12 Overhang: 1-2-8, 1-2-8 Loading: 20.0-10.0-0.0-10.0 Spacing: 2-0-0 o.c. Camber: 1/8 in Weight: 122 lb Board Feet: 178.00bft Last saved: July 29, 2022

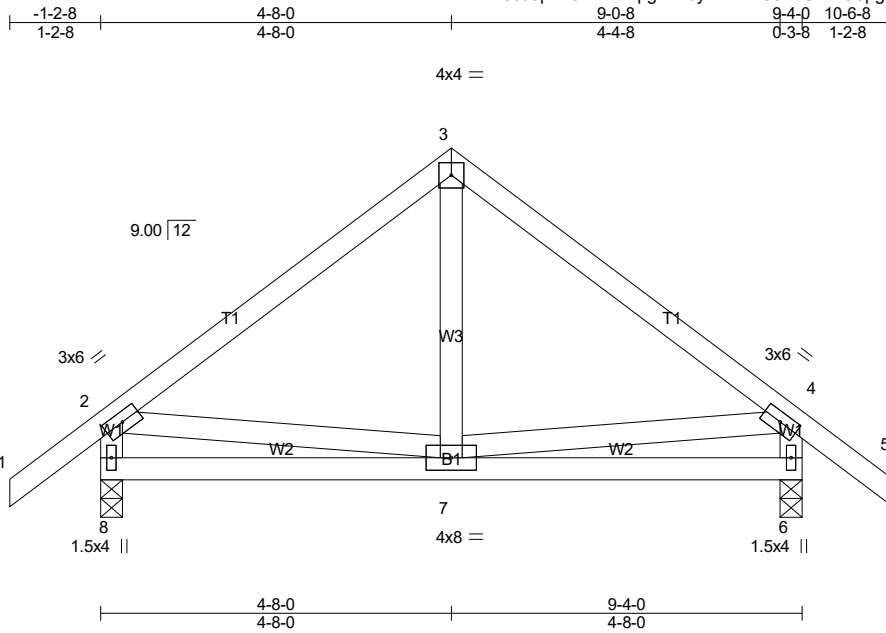
====<<<< CHORDS >>>>====(Sq.Cut=0)

PIECE: B1, B1	Qty. 6
0.0	0.0
2x4 2400F 2.0E SP - 10'	
OL:9-11-0	CL:9-11-0 LS:9-11-0
PIECE: T1, T1	Qty. 6
36.9	36.9
2x4 No.2 SP - 15'	
OL:14-1-8	CL:13-10-14 LS:13-10-14
====<<<< WEBS >>>>====(Sq.Cut=0)	
PIECE: W3, W3	Qty. 6
11.9	41.2
2x4 No.3 SP - 7'	
OL:6-2-13	CL:6-2-7 LS:6-0-13
PIECE: W2, W2	Qty. 6
8.8	40.1
2x4 No.3 SP - 7'	
OL:6-1-0	CL:6-0-11 LS:5-10-15
PIECE: W4	Qty. 3
0.0	36.9
2x4 No.3 SP - 8'	
OL:7-8-5	CL:7-8-5 LS:7-7-0
PIECE: W1, W1	Qty. 6
0.0	36.9
2x6 No.1 SP - 1'	
OL:0-7-3	CL:0-5-2 LS:0-7-3

Job	Truss	Truss Type	Qty	Ply	Whittenton Bldrs/Register
26815	T16	Common	2	1	

C&R Building Supply, Autryville NC

8.430 s Jan 20 2021 MiTek Industries, Inc. Fri Jul 29 11:00:15 2022 Page 1
 ID:m3JJ6pNkJbuT4FqrgLho0yzifBs-tc96L7CuBtO6pg0vAwZ1R8D96ZwWdcYUQCuPMuytEk_



Scale = 1:30.7

Overall Truss Height: 4-9-4

Heel to Peak: 6-5-1

Overhang Rake Distance: Left 1-6-2, Right 1-6-2

Qty: 2 Span: 9-4-0 Slope: 9.00/12, 0.00/12 Overhang: 1-2-8, 1-2-8 Loading: 20.0-10.0-0.0-10.0 Spacing: 2-0-0 o.c. Weight: 56 lb Board Feet: 56.00bft Last saved: July 29, 2022

====<<< CHORDS >>>====(Sq.Cut=0)

PIECE: B1	Qty. 2
0.0	0.0
2x4 2400F 2.0E SP - 10'	
OL:9-4-0	CL:9-4-0 LS:9-4-0
PIECE: T1, T1	Qty. 4
36.9	36.9
2x4 No.2 SP - 8'	
OL:7-6-12	CL:7-4-2 LS:7-4-2

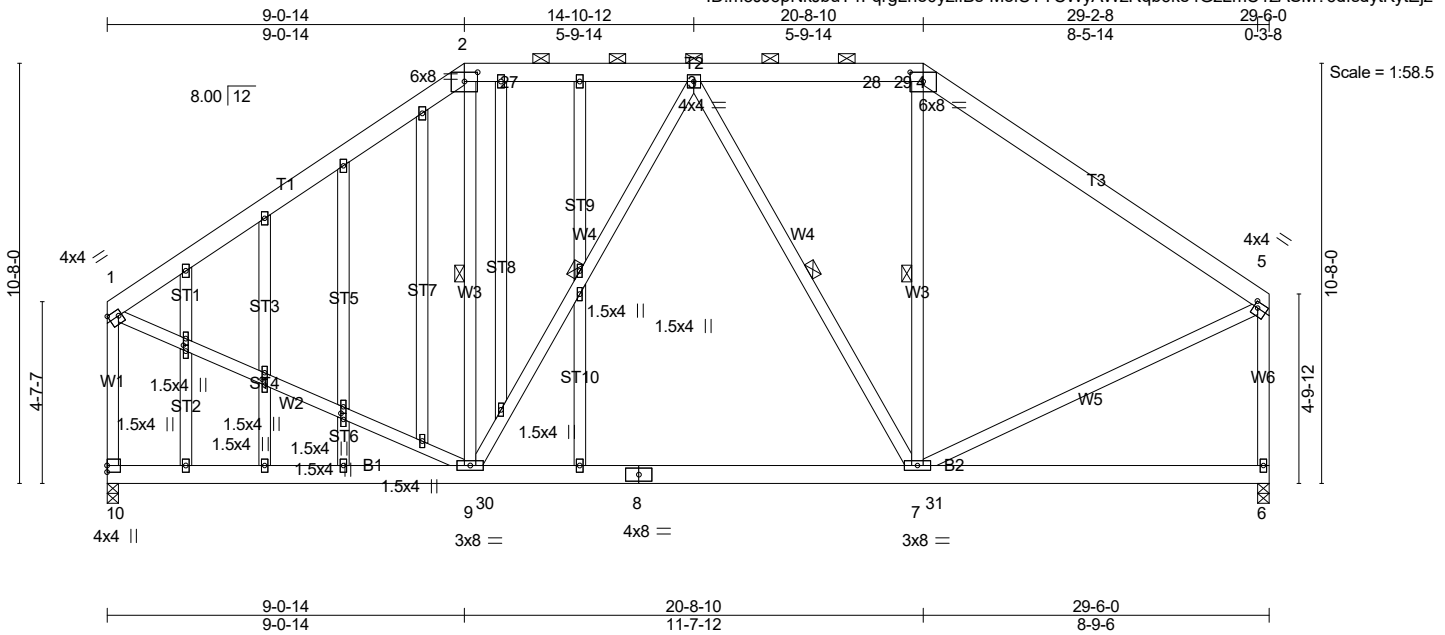
====<<< WEBS >>>====(Sq.Cut=0)

PIECE: W1, W1	Qty. 4
0.0	36.9
2x4 No.3 SP - 1'	
OL:0-5-11	CL:0-4-6 LS:0-5-11
PIECE: W2, W2	Qty. 4
4.5	48.7
2x4 No.3 SP - 5'	
OL:4-3-1	CL:4-2-14 LS:4-2-14
PIECE: W3	Qty. 2
0.0	36.9
2x4 No.3 SP - 4'	
OL:3-9-1	CL:3-9-1 LS:3-7-12

Job	Truss	Truss Type	Qty	Ply	Whittenton Bldrs/Register
26815	T17	GABLE II	1	1	

C&R Building Supply, Autryville NC

8.430 s Jan 20 2021 MiTek Industries, Inc. Fri Jul 29 11:00:16 2022 Page 1
 ID:m3JJ6pNkJbuT4FqrgLho0yziBfBs-MoiUYTCWYyAWzRqb6ke4GzLmC1zASM?6dfsdytKyTEjz



Overall Truss Height: 10-8-0

Plate Offsets (X,Y)-- [1:Edge,0-1-12], [2:0-4-0,0-2-13], [4:0-4-0,0-2-13], [5:0-1-4,0-1-12], [14:0-1-13,0-0-12], [17:0-1-13,0-0-12], [20:0-1-13,0-0-12]

Heel to Peak: Left 14-0-1, Right 13-9-13

Overhang Rake Distance: Left 0-0-0, Right 0-0-0

Qty: 1 Span: 29-6-0 Slope: 8.00/12, 0.00/12 Overhang: 0-0-0, 0-0-0 Loading: 20.0-10.0-0-0-10.0 Spacing: 2-0-0 o.c. Camber: 1/16 in Weight: 317 lb Board Feet: 147.00bft Last saved: July 29, 2022

NOTES-

1) All plates are 2x4 MT20 unless otherwise indicated.

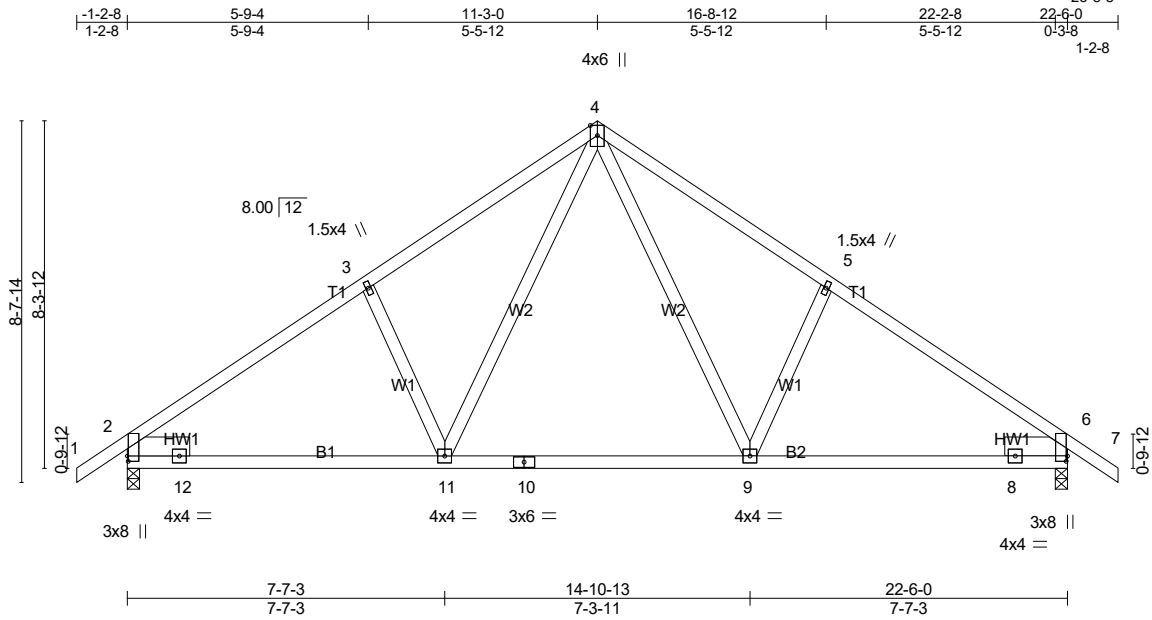
====<<<< CHORDS >>>>====(Sq.Cut=0)

0.0 0.0 (1) B2 OL:16-0-0 CL:16-0-0 LS:16-0-0 (1) B1 OL:13-6-0 CL:13-6-0 LS:13-6-0 (1) T2 OL:11-7-12 CL:11-7-12 LS:11-7-12	PIECE: W2 Qty. 1 23.4 32.9 66.6 23.4 OL:9-6-13 CL:9-6-13 LS:9-4-15
33.7 33.7 (1) T1 OL:11-2-8 CL:10-10-14 LS:10-10-14 (1) T3 OL:10-10-5 CL:10-6-10 LS:10-6-10 ===== WEBS >>>>====(Sq.Cut=0)	33.7 23.4 (1) ST7 OL:8-5-12 CL:8-3-13 LS:8-5-12 (1) ST5 OL:6-3-6 CL:6-1-7 LS:6-3-6 (1) ST3 OL:4-0-15 CL:3-11-1 LS:4-0-15 (1) ST1 OL:1-10-9 CL:1-8-10 LS:1-10-9
PIECE: W3, W3 Qty. 2 0.0 0.0 OL:9-9-0 CL:9-9-0 LS:9-9-0	0.0 23.4 (1) ST2 OL:2-11-10 CL:2-10-14 LS:2-11-10 (1) ST4 OL:2-1-3 CL:2-0-7 LS:2-1-3 (1) ST6 OL:1-2-13 CL:1-2-1 LS:1-2-13
0.0 33.7 (1) W6 OL:4-0-0 CL:3-10-13 LS:4-0-0 (1) W1 OL:3-9-10 CL:3-8-8 LS:3-9-10	0.0 60.4 (1) ST8 OL:8-7-2 CL:8-4-0 LS:8-7-2 (1) ST9 OL:5-0-13 CL:4-9-11 LS:5-0-13 (1) ST10 OL:4-7-5 CL:4-4-3 LS:4-7-5
PIECE: W4, W4 Qty. 2 29.6 60.4 60.4 29.6 OL:11-2-8 CL:11-2-8 LS:10-10-7	PIECE: W5 Qty. 1 25.2 31.1 64.8 25.2 OL:9-4-10 CL:9-4-10 LS:9-2-12

Job	Truss	Truss Type	Qty	Ply	Whittenton Bldrs/Register
26815	T18	Common	3	1	

C&R Building Supply, Autryville NC

8.430 s Jan 20 2021 MiTek Industries, Inc. Fri Jul 29 11:00:16 2022 Page 1
 ID:m3JJ6pNkJbuT4FqrgLho0yzifBs-MoiUYTCWYAWzRqb6ke4GzLmHKzD9M1cdfdytKyEjz



Scale = 1:55.1

Overall Truss Height: 8-7-14

Plate Offsets (X,Y)-- [2:0-1-8,0-0-5], [6:0-1-8,0-0-5]

Heel to Peak: 13-11-14

Overhang Rake Distance: Left 1-5-7, Right 1-5-7

Qty: 3 Span: 22-6-0 Slope: 8.00/12, 0.00/12 Overhang: 1-2-8, 1-2-8 Loading: 20.0-10.0-0-0-10.0 Spacing: 2-0-0 o.c. Camber: 1/16 in Weight: 124 lb Board Feet: 178.00bft Last saved: July 29, 2022

====<<<< CHORDS >>>>====(Sq.Cut=0)

0.0	2x4 2400F 2.0E SP-	0.0
(3) B2	OL:13-0-0 CL:13-0-0 LS:13-0-0	
(3) B1	OL:9-6-0 CL:9-6-0 LS:9-6-0	
PIECE: T1, T1		Qty. 6
33.7	2x4 No.2 SP - 16'	33.7
OL:15-2-0	CL:14-11-11 LS:14-11-11	

====<<<< WEBS >>>>====(Sq.Cut=0)

PIECE: W1, W1		Qty. 6
9.2	2x4 No.3 SP - 5'	24.4
OL:4-5-4	CL:4-4-15 LS:4-3-14	
PIECE: W2, W2		Qty. 6
59.2	2x4 No.3 SP - 9'	64.5
OL:8-5-15	CL:8-5-15 LS:8-1-7	25.5

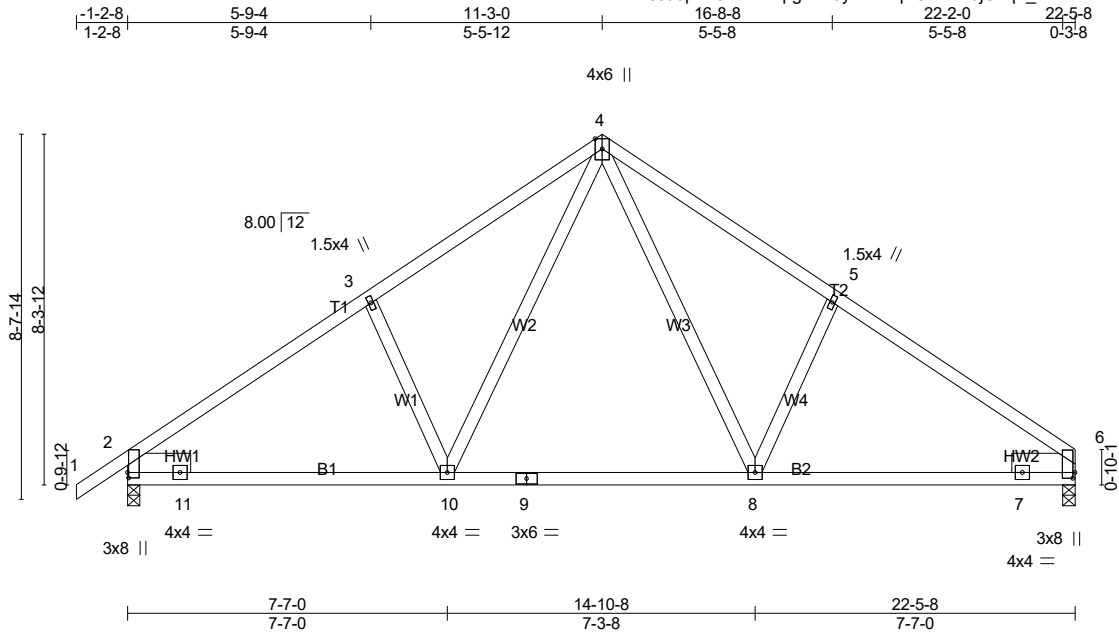
====<<<< OTHERS >>>>====(Sq.Cut=0)

PIECE: HW1, HW1		Qty. 6
0.0	2x6 No.1 SP - 2'	56.3
OL:1-6-0	CL:1-4-15 LS:1-6-0 PL:1-6-0	0.0
SCARF: 0-6-4	0-5-3	0-3-7
		0-2-1

Job	Truss	Truss Type	Qty	Ply	Whittenton Bldrs/Register
26815	T19	Common	2	1	

C&R Building Supply, Autryville NC

8.430 s Jan 20 2021 MiTek Industries, Inc. Fri Jul 29 11:00:17 2022 Page 1
 ID:m3JJ6pNkJbuT4FqrgLho0yzifBs-q?GtmoD8jUeq2_AiILbVWZIS5NZP5UsntVNWQmytEjy



Scale = 1:54.6

Overall Truss Height: 8-7-14

Plate Offsets (X,Y)-- [2:0-1-8,0-0-5], [6:0-1-10,0-0-9]

Heel to Peak: Left 13-11-14, Right 13-11-7

Overhang Rake Distance: Left 1-5-7, Right 0-0-0

Qty: 2 Span: 22-5-8 Slope: 8.00/12, 0.00/12 Overhang: 1-2-8, 0-0-0 Loading: 20.0-10.0-0-0-10.0 Spacing: 2-0-0 o.c. Camber: 1/16 in Weight: 122 lb Board Feet: 116.00bft Last saved: July 29, 2022

====<<<< CHORDS >>>>====(Sq.Cut=0)

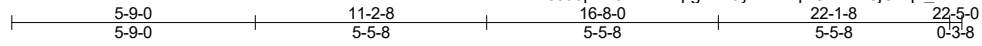
====<<<< OTHERS >>>>====(Sq.Cut=0)

<p>0.0 0.0</p> <p>(2) B2 OL:13-0-0 CL:13-0-0 LS:13-0-0 (2) B1 OL:9-5-8 CL:9-5-8 LS:9-5-8</p>	<p>PIECE: HW2 Qty. 2 0.0 56.3 OL:1-6-0 CL:1-5-7 LS:1-6-0 PL:1-6-0</p>
<p>33.7 33.7</p> <p>(2) T1 OL:15-2-0 CL:14-11-11 LS:14-11-11 (2) T2 OL:13-8-0 CL:13-5-10 LS:13-5-10</p>	<p>SCARF: 0-5-10 </p>
<p>====<<<< WEBS >>>>====(Sq.Cut=0)</p>	
<p>9.2 65.5</p> <p>(2) W4 OL:4-5-7 CL:4-5-2 LS:4-4-1 (2) W1 OL:4-5-3 CL:4-4-14 LS:4-3-13</p>	<p>PIECE: HW1 Qty. 2 0.0 56.3 OL:1-6-0 CL:1-4-15 LS:1-6-0 PL:1-6-0</p>
<p>PIECE: W2 Qty. 2 59.2 64.5 OL:8-6-0 CL:8-6-0 LS:8-1-8</p>	<p>SCARF: 0-6-4 </p>
<p>PIECE: W3 Qty. 2 59.0 64.7 OL:8-5-13 CL:8-5-13 LS:8-1-4</p>	

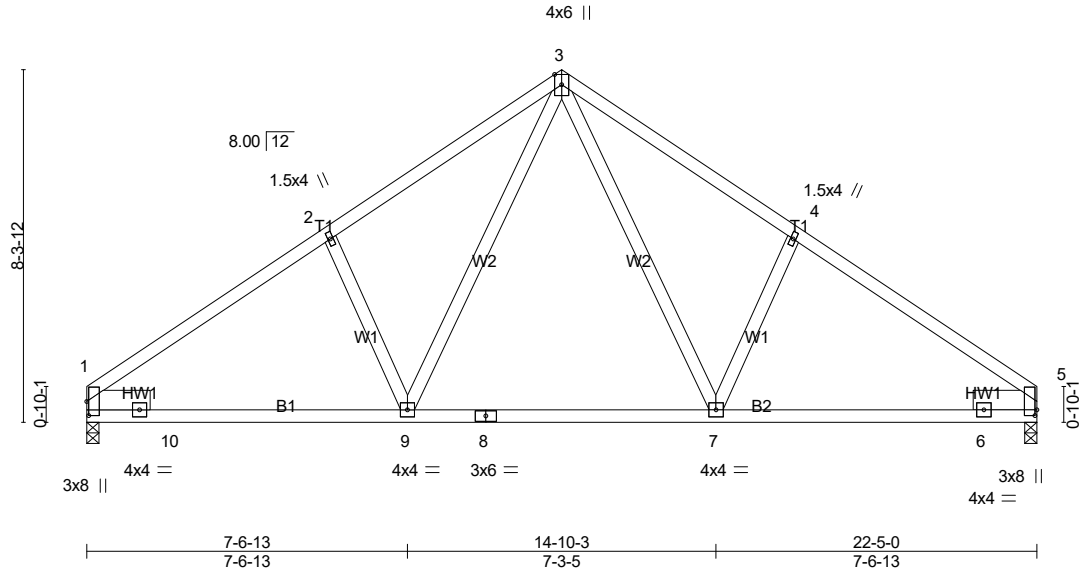
Job	Truss	Truss Type	Qty	Ply	Whittenton Bldrs/Register
26815	T20	Common	3	1	

C&R Building Supply, Autryville NC

8.430 s Jan 20 2021 MiTek Industries, Inc. Fri Jul 29 11:00:17 2022 Page 1
 ID:m3JJ6pNkJbuT4FqrgLho0yzifBs-q?GtmoD8jUeq2_AiILbVWZIT7NZQ5UrntVNWQmytEjy



Scale = 1:54.3



Overall Truss Height: 8-3-12

Plate Offsets (X,Y)-- [1:0-4-0,0-0-9], [5:0-1-10,0-0-9]

Heel to Peak: 13-11-7

Overhang Rake Distance: Left 0-0-0, Right 0-0-0

Qty: 3 Span: 22-5-0 Slope: 8.00/12, 0.00/12 Overhang: 0-0-0, 0-0-0 Loading: 20.0-10.0-0-0-10.0 Spacing: 2-0-0 o.c. Camber: 1/16 in Weight: 119 lb Board Feet: 170.00bft Last saved: July 29, 2022

====<<<< CHORDS >>>>====(Sq.Cut=0)

0.0	2x4 2400F 2.0E SP-	0.0
(3) B2	OL:13-0-0 CL:13-0-0 LS:13-0-0	
(3) B1	OL:9-5-0 CL:9-5-0 LS:9-5-0	
PIECE: T1, T1		Qty. 6
33.7	2x4 No.2 SP - 14'	33.7
OL:13-8-0	CL:13-5-10 LS:13-5-10	

====<<<< WEBS >>>>====(Sq.Cut=0)

PIECE: W1, W1		Qty. 6
9.4	2x4 No.3 SP - 5'	24.3
OL:4-5-6	CL:4-5-1 LS:4-4-0	
PIECE: W2, W2		Qty. 6
59.1	2x4 No.3 SP - 9'	64.6
OL:8-5-14	CL:8-5-14 LS:8-1-6	25.4

====<<<< OTHERS >>>>====(Sq.Cut=0)

PIECE: HW1, HW1		Qty. 6
0.0	2x6 No.1 SP - 2'	56.3
OL:1-6-0	CL:1-5-7 LS:1-6-0 PL:1-6-0	0.0
SCARF: 0-5-10	0-4-11	0-3-2 0-2-6