

MEETING NOTES
05-04-2022
WITH
BONUS ROOM



SEDC
RECEIVED
02/21/2022

MADDEN HOME DESIGN, LLC NOT BEING AN ARCHITECTURAL OR ENGINEERING FIRM AS SUCH, SHALL NOT BE HELD RESPONSIBLE FOR ANY DESIGN OR CONSTRUCTION. EVERY EFFORT HAS BEEN MADE TO INSURE ALL DIMENSIONS ARE CORRECT AND ENVIRONMENTAL REGULATIONS HAVE BEEN MET. IF AN ERROR OR OMISSION DOES OCCUR, IT IS THE SOLE RESPONSIBILITY OF THE CONTRACTOR AND/OR OWNER AT HIS/HER OWN EXPENSE AND WITHOUT THE RESPONSIBILITY OF THE DRAFTING SERVICE. CONTRACTOR IS RESPONSIBLE FOR VERIFICATION OF DIMENSIONS IN THE FIELD AND SHALL BUILD HOME IN ACCORDANCE WITH THE INTERNATIONAL RESIDENTIAL CODE 2015.

RESIDENCE OF
JONAH
WILLIAMS

Project

MADDEN
 HOME DESIGN
 8375 Rushing Road
 Denham Springs, Louisiana
 70726
 Phone: (225) 791-2912

A | **B** | **D**®

Project No.: HONEYSUCKLE
 DATE: FEBRUARY 21, 2022
 DRAWN BY: Steven Madden
 DESIGNED BY: Steven Madden

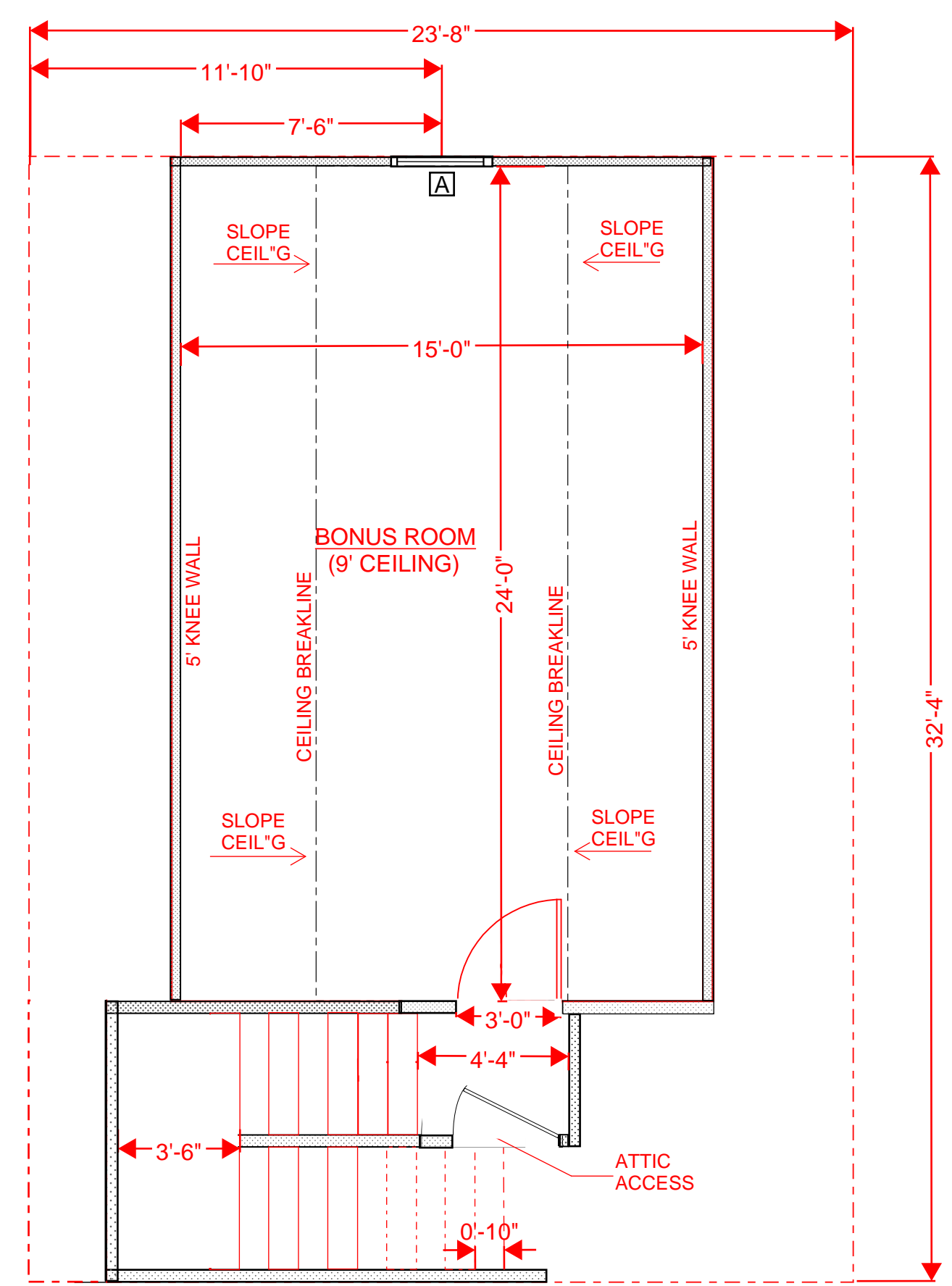
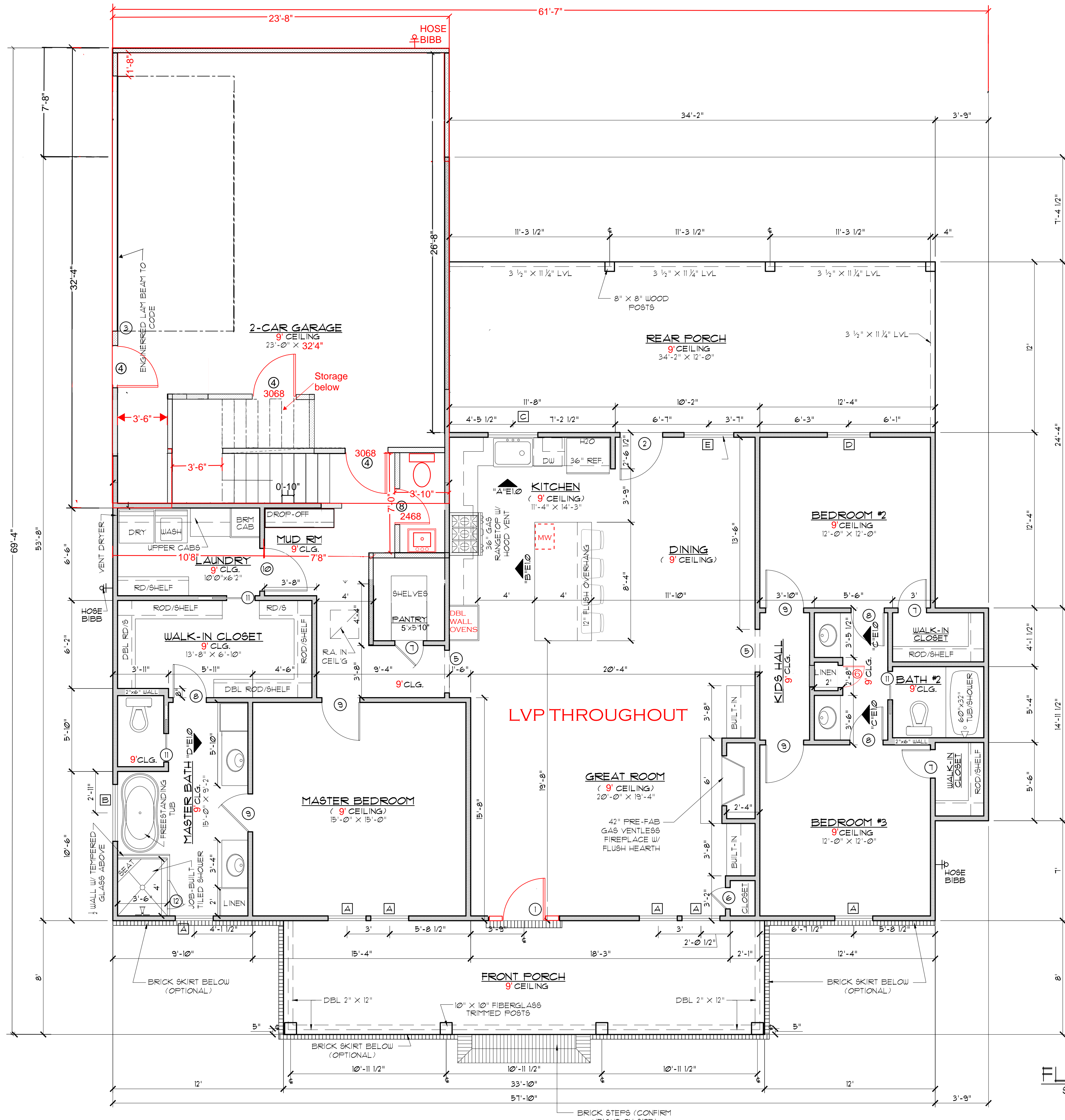
COPYRIGHT NOTE: ©
 These Plans Are Subject To
 Federal Copyright Laws And
 Are To Be Used For The Lot
 Number And Subdivision
 Indicated In This Title Block
 Only. Use On Any Other Site Is
 Prohibited.
 © COPYRIGHT 2022

Sheet Title
COVER SHEET

Sheet:
 Preliminary Dwg.
 Bidding Doc.
 Construction Doc.

DOOR SCHEDULE		
QTY	SIZE	DESCRIPTION
1	11'0" x 3'0" x 1'0"	FIBERGLASS DOOR WITH SIDELIGHTS
2	3'0" x 6'8"	EXTERIOR 4 LITE FIBERGLASS DOOR
3	18'0" x 8'0"	EXT O.H. METAL INSULATED GARAGE DOOR W/OPENER
4	3'0" x 6'8"	EXTERIOR 6 PANEL METAL DOOR
5	3'0" x 8'0"	CASED OPENING
6	18" x 68"	HOLLOW CORE MASONITE DOOR
7	2'0" x 6'8"	HOLLOW CORE MASONITE DOOR
8	2'4" x 6'8"	HOLLOW CORE MASONITE DOOR
9	2'8" x 6'8"	HOLLOW CORE MASONITE DOOR
10	3'0" x 6'8"	HOLLOW CORE MASONITE DOOR
11	2'0" x 6'8"	HOLLOW CORE MASONITE POCKET DOOR
12	2'0" x 6'0"	TEMPERED FRAMELESS GLASS SHOWER DOOR

WINDOW SCHEDULE		
QTY	DESCRIPTION	QTY
A	28" x 52" VINYL SINGLE HUNG WINDOW INSULATED	7
B	40" x 40" VINYL CASEMENT WINDOW INSULATED	1
C	30" x 32" VINYL CASEMENT WINDOW INSULATED	1
D	28" x 52" VINYL SINGLE HUNG WINDOW INSULATED	1
E	28" x 52" VINYL SINGLE HUNG WINDOW TEMPERED	1
F	20" x 36" VINYL FIXED WINDOW INSULATED (SEE SHEET A2.0)	1



FLOOR PLAN
SCALE: 1/4" = 1'-0"

SQUARE FOOTAGE	
LIVING	1824
FRONT PORCH	271
REAR PORCH	410
GARAGE	637
BONUS ROOM	360
TOTAL SQ FT	3602

SEDG
RECEIVED
02/21/2022

CONTRACTOR TO LOCATE WATER HEATER & A/C UNITS ON SITE

MADDEN HOME DESIGN, LLC NOT BEING AN ARCHITECTURAL OR ENGINEERING FIRM... EVERY EFFORT HAS BEEN MADE TO INSURE ALL DIMENSIONS ARE CORRECT AND ENVIRONMENTAL REGULATIONS HAVE BEEN MET... CONTRACTOR IS RESPONSIBLE FOR VERIFICATION OF DIMENSIONS IN THE FIELD AND SHALL BUILD HOME IN ACCORDANCE WITH THE INTERNATIONAL RESIDENTIAL CODE 2018.

RESIDENCE OF
JONAH WILLIAMS

Project

MADDEN HOME DESIGN
8375 Rushing Road
Denham Springs, Louisiana 70726
Phone: (225) 791-2912

A B D

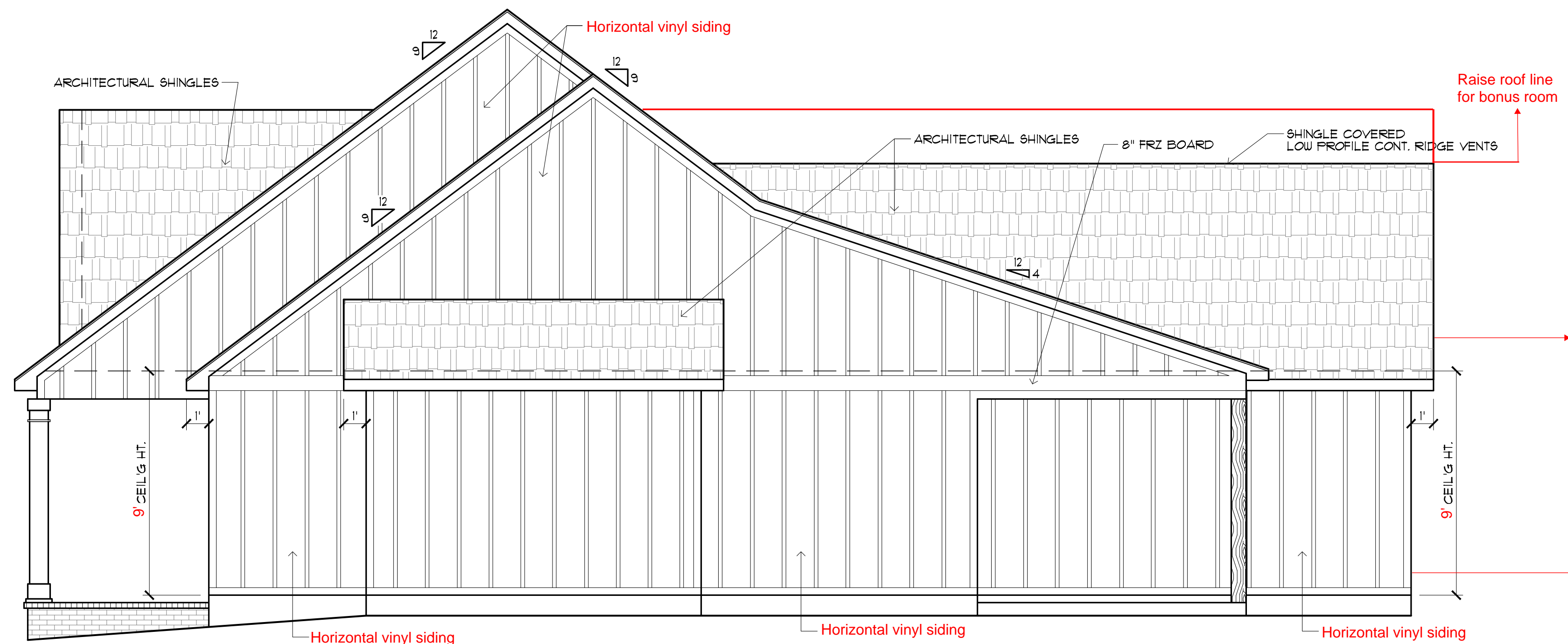
Project No.: HONEYSUCKLE
DATE: FEBRUARY 21, 2022
DRAWN BY: Steven Madden
DESIGNED BY: Steven Madden

COPYRIGHT NOTE: © These Plans Are Subject To Federal Copyright Laws And Are To Be Used For The Lot Number And Subdivision Indicated In This Title Block Only. Use On Any Other Site Is Prohibited.

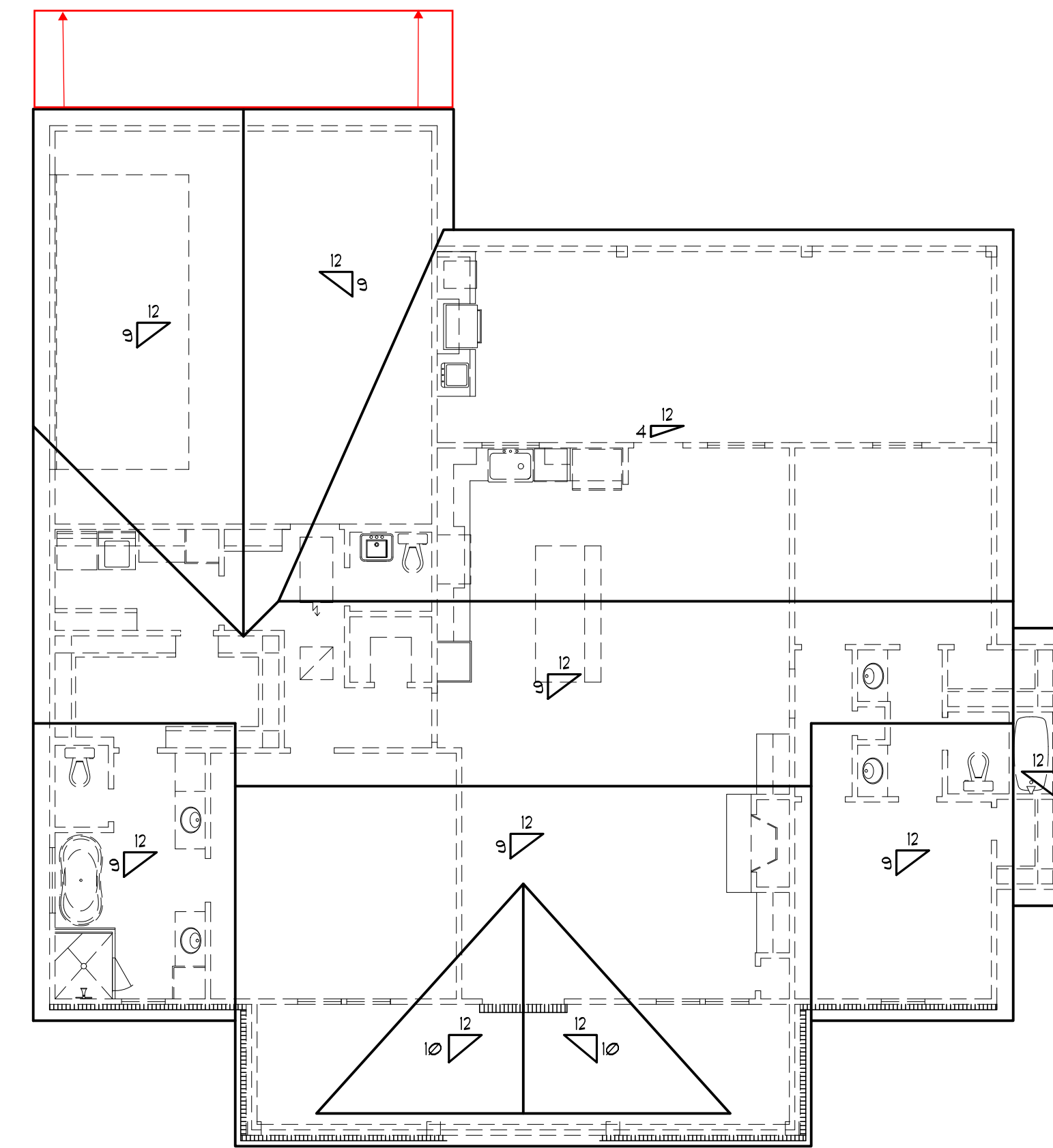
© COPYRIGHT 2022

Sheet Title
FLOOR PLAN

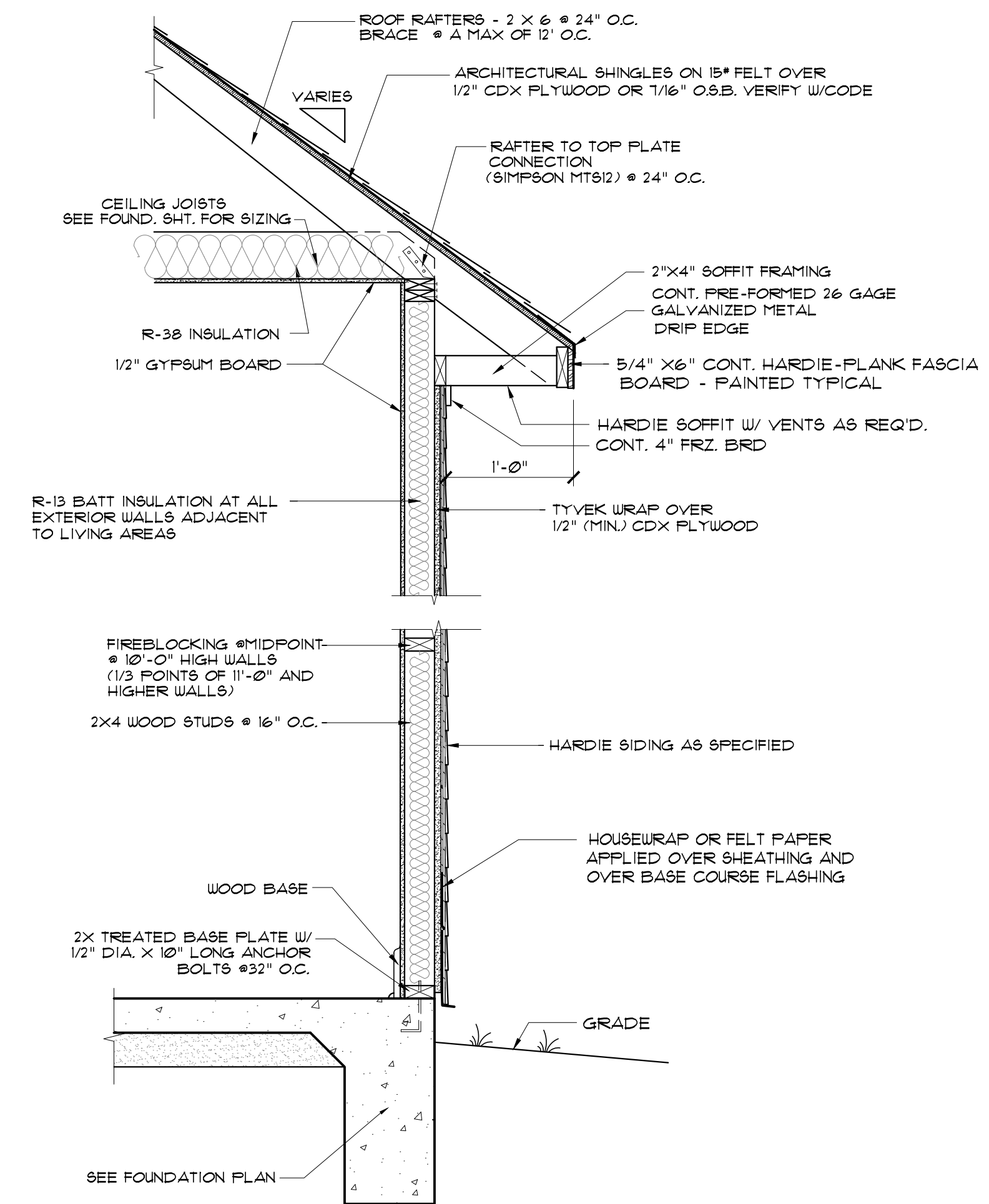
Sheet:
□ Preliminary Dwg.
□ Bidding Doc.
□ Construction Doc.
A1.0



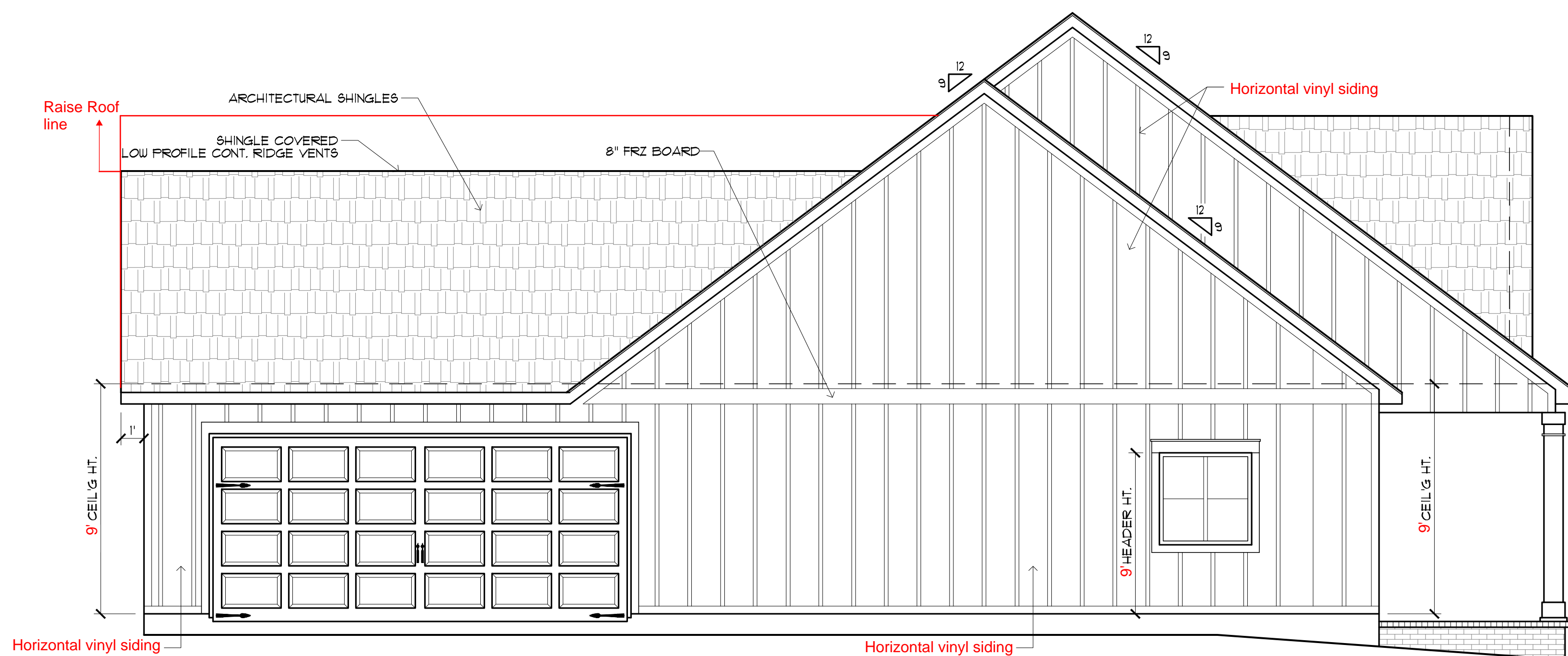
RIGHT SIDE ELEVATION
SCALE: 1/4"=1'-0"



ROOF PLAN
SCALE: 1/8"=1'-0"



TYPICAL WALL SECTION - BRICK
SCALE: 3/4"=1'-0"



LEFT SIDE ELEVATION
SCALE: 1/4"=1'-0"

MADDEN HOME DESIGN, LLC NOT BEING AN ARCHITECTURAL OR ENGINEERING FIRM. THESE PLANS ARE FOR INFORMATIONAL PURPOSES ONLY. THE DESIGNER ASSUMES NO LIABILITY FOR ANY ERRORS OR OMISSIONS. EVERY EFFORT HAS BEEN MADE TO INSURE ALL DIMENSIONS ARE CORRECT AND ENVIRONMENTAL REGULATIONS HAVE BEEN MET. IF AN ERROR OR OMISSION DOES OCCUR, IT IS THE SOLE RESPONSIBILITY OF THE CONTRACTOR AND/OR ARCHITECT AT HIS/HER OWN EXPENSE. MADDEN HOME DESIGN, LLC ASSUMES NO LIABILITY FOR THE CONTRACTOR'S RESPONSIBILITY FOR VERIFICATION OF DIMENSIONS IN THE FIELD AND SHALL BUILD HOME IN ACCORDANCE WITH THE INTERNATIONAL RESIDENTIAL CODE 2015.

RESIDENCE OF
JONAH WILLIAMS

Project

MADDEN HOME DESIGN
8375 Rushing Road
Denham Springs, Louisiana 70726
Phone: (225) 791-2912

A B D

Project No.: HONEYSUCKLE
DATE: FEBRUARY 21, 2022
DRAWN BY: Steven Madden
DESIGNED BY: Steven Madden

COPYRIGHT NOTE: © These Plans Are Subject To Federal Copyright Laws And Are To Be Used For The Lot Number And Subdivision Indicated In This Title Block Only. Use On Any Other Site Is Prohibited.

© COPYRIGHT 2022

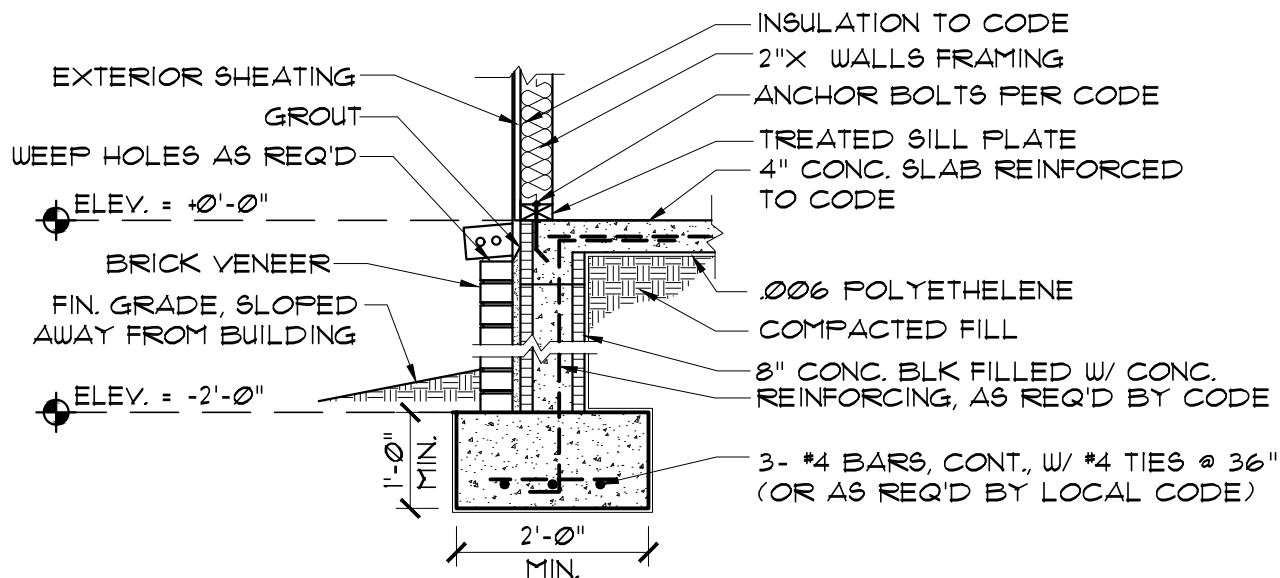
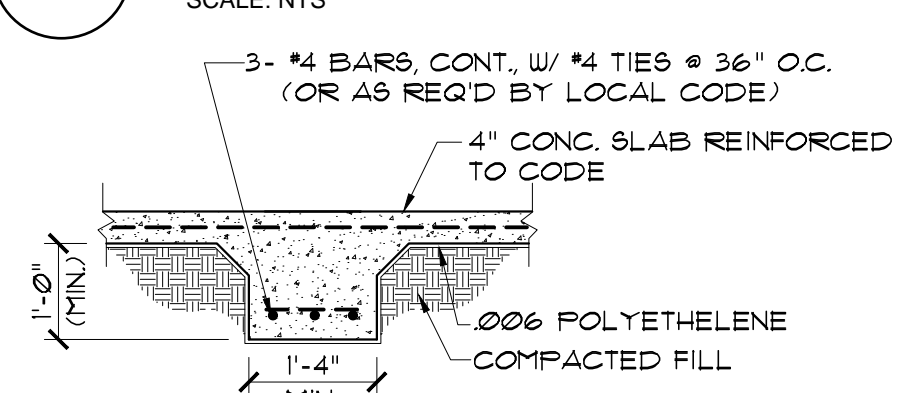
Sheet Title
ELEVATIONS & ROOF PLAN

Sheet:
 Preliminary Dwg.
 Bidding Doc.
 Construction Doc.

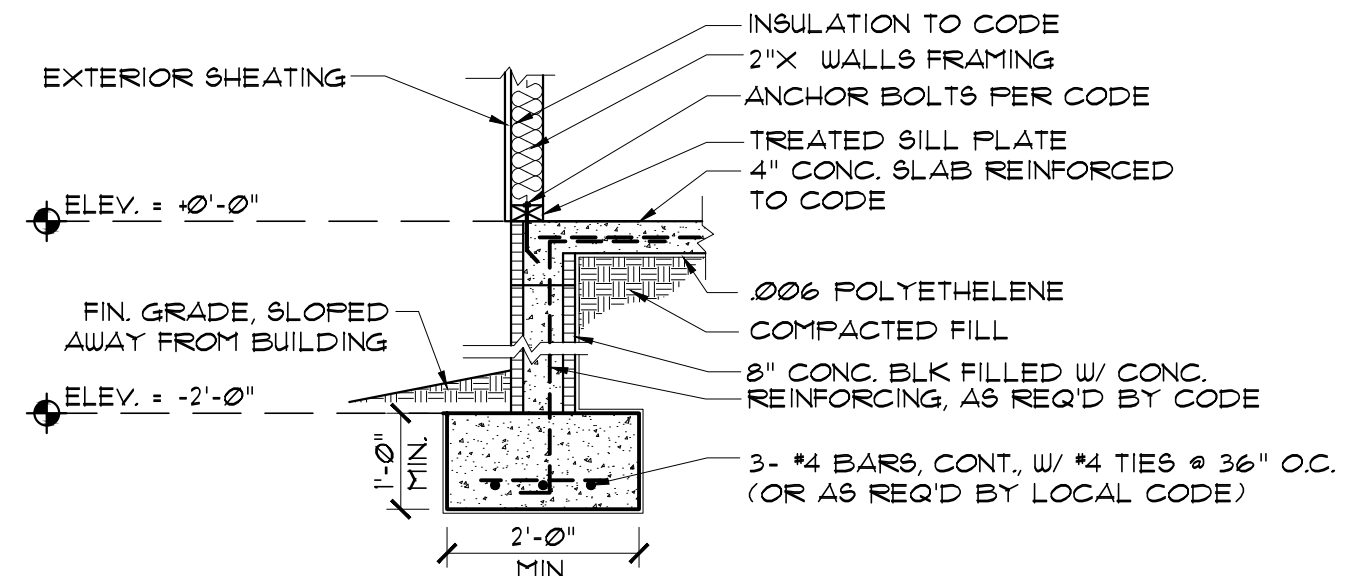
A3.0

SEDC RECEIVED
02/21/2022

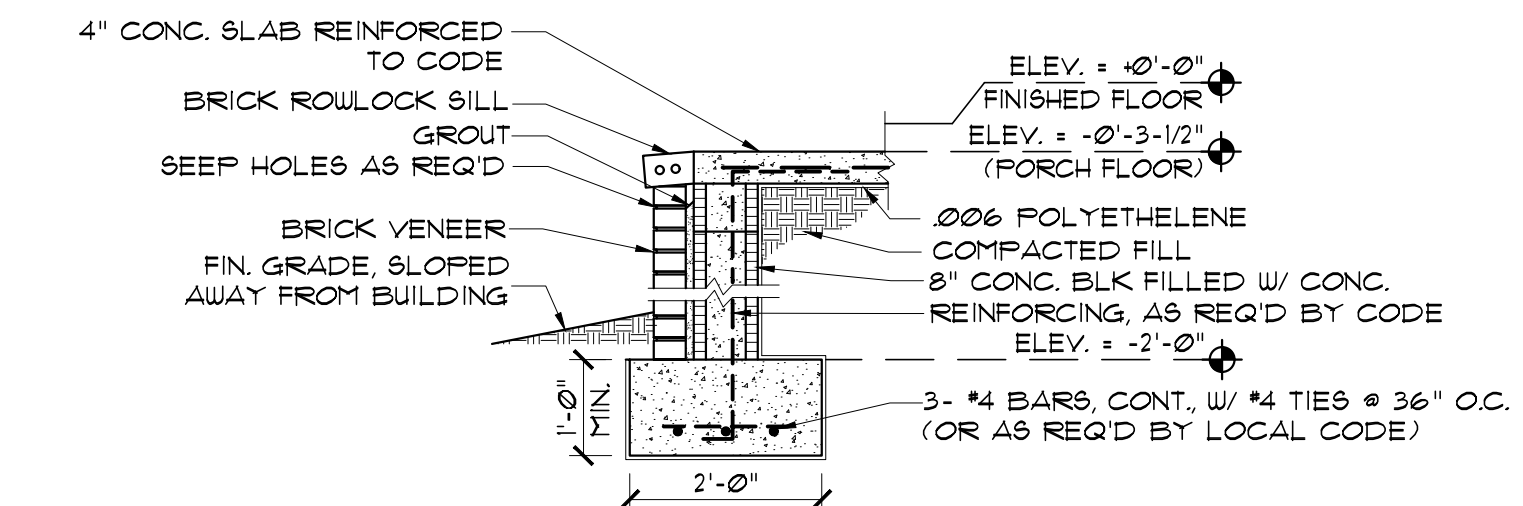
1 INTERIOR FOOTING
SCALE: NTS



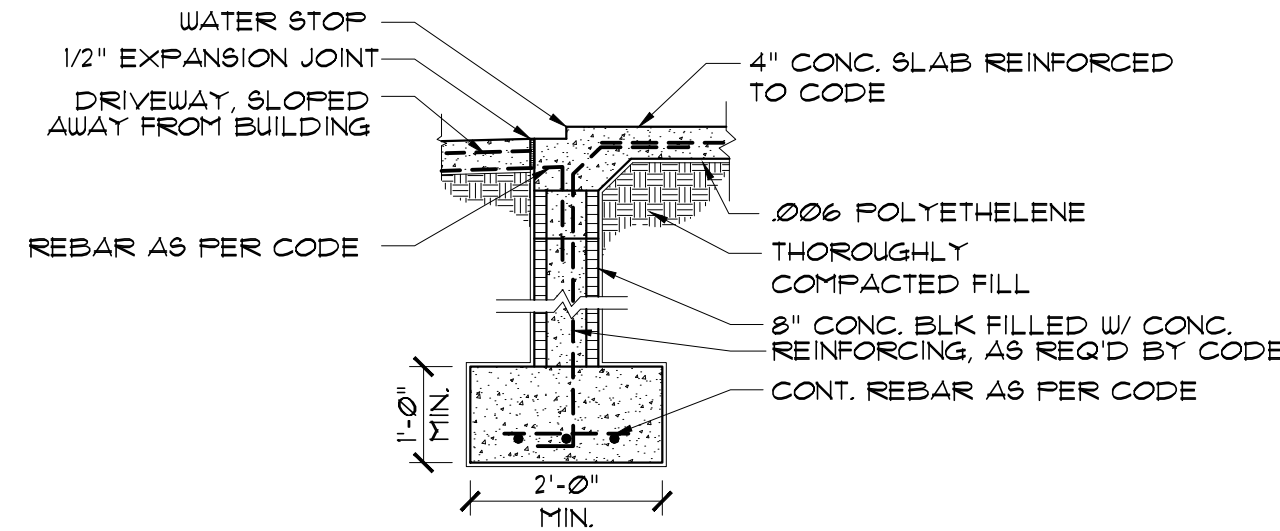
2 EXTERIOR FOOTING
SCALE: NTS



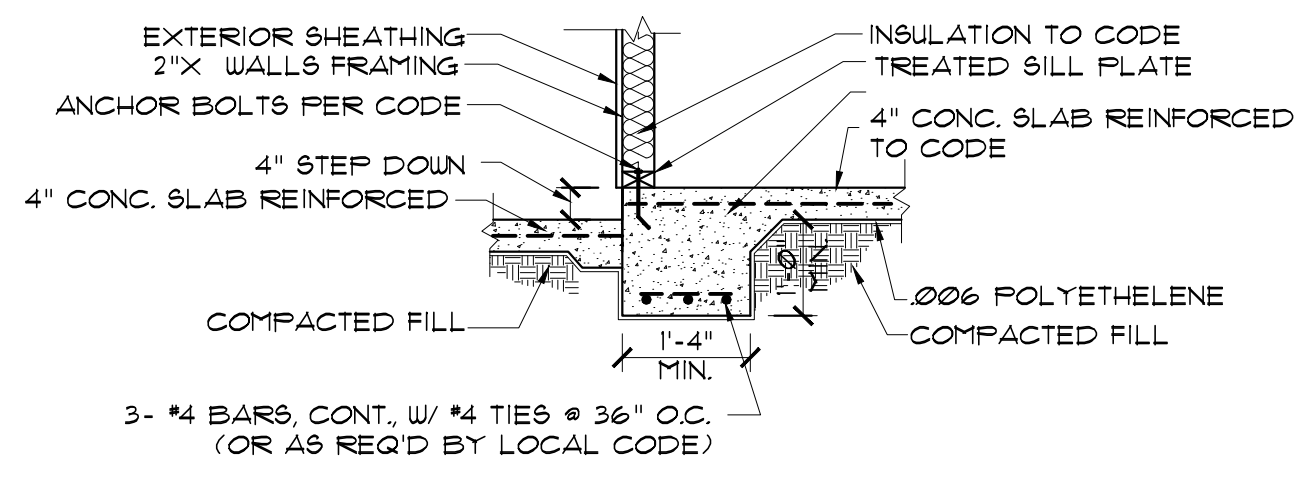
3 EXTERIOR FOOTING
SCALE: NTS



4 BRICK BAND PORCH FOOTING
SCALE: NTS



5 GARAGE FOOTING @ DRIVEWAY
SCALE: NTS



6 PORCH FOOTING
SCALE: NTS

SITE PREPARATION NOTES:

1. REMOVE TOP SOIL (8" TO 12") AND DELETERIOUS MATERIAL.
2. PROOF ROLL SUBBASE WITH A LOADED 18 YARD DUMP TRUCK. REMOVE ALL "PUMPING AREAS."

FOUNDATION AND SITE WORK NOTES:

1. CHECK ELECTRICAL PLAN FOR ANY CONDUIT OR FLOOR RECEPTACLES.
2. TERMITE TREAT THE SOIL PRIOR TO POURING CONCRETE AND RETAIN CERTIFICATE FOR OWNER.
3. GRADE LOT TO DRAIN AWAY FROM THE FOUNDATION A MINIMUM OF 6 INCHES IN THE FIRST 10 FEET.
4. CARPORT AND FRONT PORCH BEAMS ARE NOT SHOWN FOR CLARITY PURPOSES.
5. CONTRACTOR SHALL EXCAVATE ALL FOOTINGS TO SOLID, COMPACTED, UNDISTURBED FILL MEETING 90% MODIFIED PROCTOR AS TESTED.
6. ALL WELDED WIRE FABRIC SHALL BE 6x6 10/10 W/F.
7. POLYETHYLENE VAPOR BARRIER SHALL BE 6 MIL. THICKNESS.

CONCRETE NOTES:

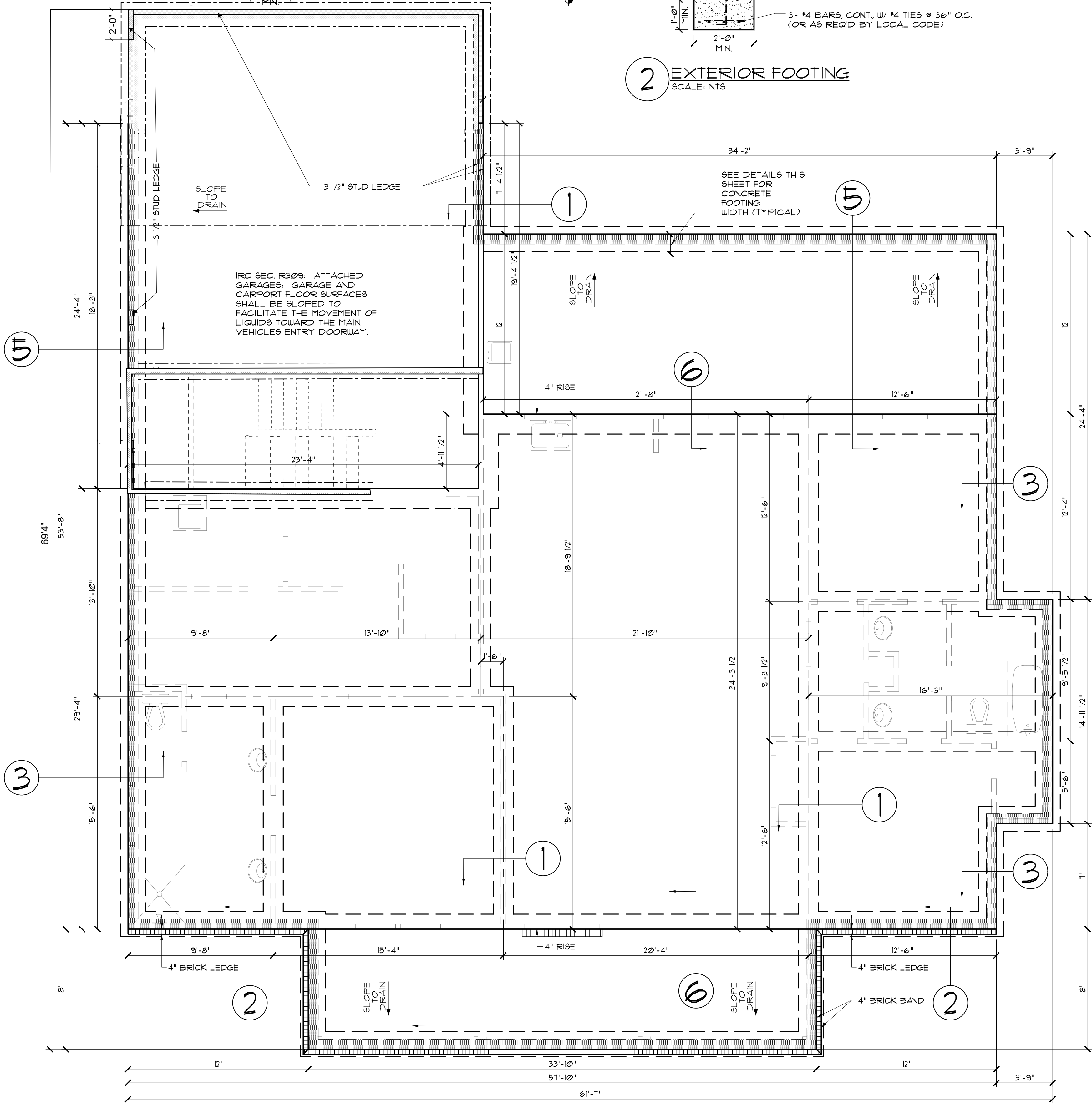
1. REFER TO BUILDING PLANS FOR DOOR OPENINGS AND EXACT DIMENSIONS.
2. USE CONCRETE BRICK SUPPORTS TO MAINTAIN REINFORCING CLEARANCES. DO NOT USE CMU OR FACE BRICK.
3. FOUNDATION DESIGN BASED ON A-4 FILL DIRT COMPACTED TO 95% DENSITY (ASTM D-1557), FILL PLACED @ 8" MAX. LIFTS.
4. ALL CONCRETE SHALL DEVELOP 3000 PSI COMPRESSIVE STRENGTH @ 28 DAYS. PLACE CONCRETE W/ MAXIMUM SLUMP OF 6". PROVIDE SLUMP TEST AND CYLINDERS AT BEGINNING AND MIDPOINT OF POUR.
5. GRADE 40 DEFORMED REINFORCING.
6. ASTM-105 W/F REINFORCING.
7. APPLY A LIQUID MEMBRANE CURING CHEMICAL TO ALL CONCRETE SURFACES IN ACCORDANCE WITH MANUFACTURER'S RECOMMENDATIONS, W/ GRACE PRODUCT OR EQUAL.
8. CONTRACTOR SHALL COORDINATE ALL DOOR LOCATIONS AND OMIT NOTCHES ACCORDINGLY.
9. 2" CLEARANCE FOR REBAR, SIDES AND BOTTOM.
10. MINIMUM SLAB THICKNESS SHALL BE 4" ON HOUSE AND ANY SIDEWALKS INCLUDING DRIVEWAY.
11. FINISH GRADE TO SLOPE AWAY FROM THE HOUSE.
12. REFER TO ELECTRICAL PLAN FOR IN-SLAB WIRING AND OUTLET REQUIREMENTS.
13. CONTRACTOR SHALL EXCAVATE ALL FOOTINGS TO SOLID, UNDISTURBED SOIL.
14. SLABS AND FOOTINGS SHALL BE PLACED MONOLITHICALLY IN A CONTINUOUS POUR. CONSTRUCTION JOINTS FOR THE PURPOSE OF FOUR INTERRUPTION SHALL NOT BE ALLOWED WITHOUT PRIOR APPROVAL BY THE OWNER.
15. ALL DRIVEWAY FOURS SHALL HAVE THE PROPER CONSTRUCTION AND CONTROL JOINTS AT A DISTANCE NO GREATER THAN 15' WITH A JOINT DOWN THE CENTER. RADIUS BENDS SHALL HAVE A CONTROL JOINT AT THE CENTER OF THEM.

NOTE:

THIS GENERIC FOUNDATION PLAN IS DESIGNED FOR NON EXPANSIVE SOILS WITH A BEARING CAPACITY OF AT LEAST 2500 PSF. MADDEN HOME DESIGN IS NOT AN ENGINEER AND RECOMMENDS THAT A PROFESSIONAL ENGINEER BE CONSULTED FOR YOUR SPECIFIC LOT AS THE DESIGNER HAS NOT BEEN PROVIDED ANY INFORMATION BY THE CLIENT REGARDING THE BEARING CAPACITY OF THE SOILS FOR THIS LOT AND ASSUMES NO RESPONSIBILITY FOR THE STRUCTURAL PERFORMANCE OF THIS DESIGN.

NOTE:

ALL EXTERIOR GRADE BEAMS TO EXTEND BELOW UNDISTURBED SOIL A MINIMUM OF 12".



FOUNDATION PLAN
SCALE: 1/4" = 1'-0"

MADDEN HOME DESIGN, LLC NOT BEING AN ARCHITECTURAL OR ENGINEERING FIRM, HAS PREPARED THIS FOUNDATION PLAN. EVERY EFFORT HAS BEEN MADE TO INSURE ALL DIMENSIONS ARE CORRECT AND ENVIRONMENTAL REGULATIONS HAVE BEEN MET. IF AN ERROR OR OMISSION DOES OCCUR IT IS THE SOLE RESPONSIBILITY OF THE CONTRACTOR AND/OR OWNER AT HIS OWN EXPENSE. MADDEN HOME DESIGN ASSUMES NO LIABILITY FOR THE CONTRACTOR'S RESPONSIBILITY FOR VERIFICATION OF DIMENSIONS IN THE FIELD AND SHALL BUILD HOME IN ACCORDANCE WITH THE INTERNATIONAL RESIDENTIAL CODE 2015.

RESIDENCE OF
JONAH WILLIAMS

Project
MADDEN HOME DESIGN
A B D
8375 Rushing Road
Denham Springs, Louisiana
70726
Phone: (225) 791-2912

Project No.: HONEYSUCKLE
DATE: FEBRUARY 21, 2022
DRAWN BY: Steven Madden
DESIGNED BY: Steven Madden

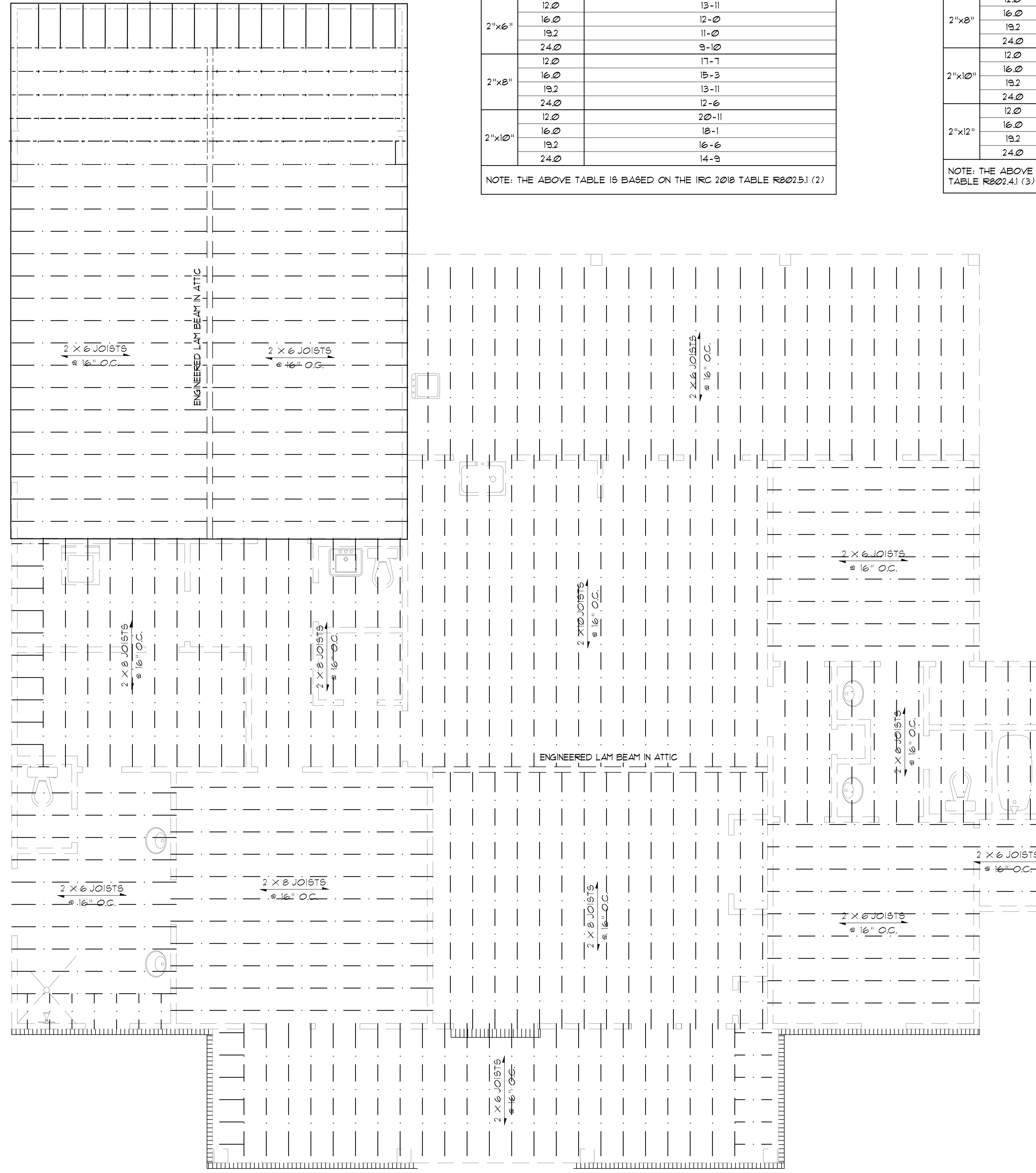
COPYRIGHT NOTE: © These Plans Are Subject To Federal Copyright Laws And Are To Be Used For The Lot Number And Subdivision Indicated In This Title Block Only. Use On Any Other Site Is Prohibited.

© COPYRIGHT 2015 9099

Sheet Title
FOUNDATION PLAN

Sheet:
□ Preliminary Dwg.
□ Bidding Doc.
□ Construction Doc.
A4.0

SEDC RECEIVED
02/21/2022



CEILING JOIST SPANS		
CEILING JOIST SPANS FOR SOUTHERN PINE SPECIES (UNINHABITABLE ATTIC WITHOUT STORAGE, LIVE LOAD = 20 PSF, L.A. = 240) DEAD LOAD = 10 PSF		
**IF HABITABLE ATTIC SPACE OR STORAGE IS DESIRED, REFER TO INTERNATIONAL RESIDENTIAL CODE SPAN TABLES		
SIZE	SPACING (INCHES)	VISUALLY GRADED #2 SOUTHERN PINE (MAXIMUM CEILING JOIST SPAN) (FT.-IN.)
2"x4"	12.0	9-3
	16.0	8-0
	19.2	7-4
	24.0	6-7
2"x6"	12.0	13-11
	16.0	12-0
	19.2	11-0
	24.0	9-10
2"x8"	12.0	17-7
	16.0	15-3
	19.2	13-11
	24.0	12-6
2"x10"	12.0	20-11
	16.0	18-1
	19.2	16-6
	24.0	14-9

NOTE: THE ABOVE TABLE IS BASED ON THE IRC 2018 TABLE R802.5.1 (2)

RAFTER SPANS		
RAFTER SPANS FOR SOUTHERN PINE SPECIES (LIVE LOAD = 20 PSF, L.A. = 240) DEAD LOAD = 10 PSF		
SIZE	SPACING (INCHES)	SPANS (MAXIMUM RAFTER SPANS BETWEEN BRACING) (FT.-IN.)
2"x6"	12.0	12-11
	16.0	11-2
	19.2	10-2
	24.0	9-2
2"x8"	12.0	16-4
	16.0	14-2
	19.2	12-11
	24.0	11-7
2"x10"	12.0	19-5
	16.0	16-10
	19.2	15-4
	24.0	13-9
2"x12"	12.0	22-10
	16.0	19-10
	19.2	18-1
	24.0	16-2

NOTE: THE ABOVE TABLE IS BASED ON THE IRC 2018 TABLE R802.4.1 (3)

CEILING JOIST & RAFTER NOTE:
 CEILING JOISTS & RAFTERS ARE SELECTED BASED ON SOUTHERN YELLOW PINE.
 IF ANOTHER SPECIES OF WOOD IS USED THE JOISTS MUST BE RE-SELECTED, AND IT IS THE BUILDER OR CONTRACTORS RESPONSIBILITY TO RE-CALCULATE JOIST & RAFTER SIZES TO ENSURE PROPER CONSTRUCTION OF THE HOME.

- GENERAL FRAMING NOTES:**
 THE FOLLOWING NOTES ARE SUGGESTED MINIMUM REQUIREMENTS ONLY. DUE TO A VARIANCE OF CODES PER REGION, PLEASE REFER AND COMPLY WITH ALL YOUR LOCAL CODES. CONSULT WITH LOCAL ENGINEERS FOR ALL STRUCTURAL REQUIREMENTS.
1. PROVIDE PURLINS AT MID HEIGHT OF ALL WALLS.
 2. ALL JOIST AND RAFTERS SHALL BE ALIGNED OVER STUDS BELOW.
 3. ALL HEADERS SHALL BE 2-2X10'S WITH 3" PLYWOOD FLITCH PLATE UNLESS OTHERWISE NOTED.
 4. PROVIDE 1X4 CROSS BRACING AT MIDPOINT OF SPAN OR 8'-0" O.C. MAXIMUM IN ALL FLOORS.
 5. ALL EXTERIOR CORNERS (INSIDE AND OUTSIDE CORNERS) SHALL BE BRACED WITH 3" CDX PLYWOOD. NAILING SCHEDULE SHALL BE 8D COMMONS AT 4" O.C. AT ALL EDGES AND 8D COMMONS AT 12" O.C. AT ALL INTERMEDIATE STUDS. (OPTION-APPROVED DIAGONAL CORNER BRACES BOTH DIRECTIONS AT ALL CORNERS).
 6. ALL COLUMNS OR SOLID FRAMES SHALL EXTEND DOWN THRU ALL LEVELS AND TERMINATE AT THE BOTTOM FLOOR AND BE SUPPORTED BY THICKENED SLAB, GRADE BEAM, OR FOOTING DESIGNED TO CARRY LOAD.
 7. PROVIDE DOUBLE 2X6 STRONGBACK AT MIDSPAN FOR CEILING JOISTS WITH SPAN GREATER THAN 10'-0".
 8. PROVIDE COLLAR TIES AT UPPER 1/3 OF VERTICAL DISTANCE BETWEEN RIDGE BOARD AND CEILING JOISTS AT 4'-0" O.C. MAXIMUM.
 9. HIP, VALLEY RAFTERS, AND RIDGE BOARDS SHALL BE ONE "2X" SIZE LARGER THAN RAFTERS.
 10. ROOF DECKING SHALL BE 3/4" CDX PLYWOOD MINIMUM.
 11. WHERE FIRE ENGINEERED FLOOR AND ROOF TRUSSES ARE USED, TRUSS MANUFACTURER MUST PROVIDE SHOP DRAWINGS WHICH BEAR SEAL OF REGISTERED ENGINEER IN STATE IN WHICH WORK IS TO BE PERFORMED.
 12. ALL SOLID FRAMING, COLUMNS, BEAMS, ETC. TO BE DESIGNED BY LOCAL STRUCTURAL ENGINEER AND MEET ALL LOCAL CALLS.
 13. ALL FRAMED WALL DIMENSIONS ARE BASED ON 2X4 STUDS UNLESS OTHERWISE NOTED.
 14. COLUMNS SHALL BE ADEQUATELY ANCHORED TO SLAB TO PREVENT LATERAL DISPLACEMENT PER IRC R401.3.
 15. SITE-ASSEMBLED HEADERS AND GIRDERS TO BE SIZED PER IRC TABLE R502.5(1) AND (2).
 16. HEADERS AND GIRDERS WHOSE SPAN EXCEEDS THOSE LISTED IN IRC TABLE R502.5(1) AND (2) ARE TO BE ENGINEERED BEAMS TO BE SIZED BY A QUALIFIED PARTY.
 17. WALLS ADJACENT TO GARAGE DOOR OPENING TO BE BRACED TO THE MINIMUM LENGTHS LISTED IN IRC R602.10.3 VIA SHEATHING OR AN ALTERNATIVE METHOD OF RESISTING SHEAR AS DESIGNED BY A QUALIFIED ENGINEER.
 18. ROOF AND FLOOR SHEATHING TO COMPLY WITH SPAN CHART R503.2.1 (1)

JOISTS FRAMING PLAN
 SCALE: 1/4" = 1'-0"

SEDC RECEIVED
 02/21/2022

MADDEN HOME DESIGN, LLC NOT BEING AN ARCHITECTURAL OR ENGINEERING FIRM. THESE PLANS ARE NOT TO BE USED FOR STRUCTURAL OR MECHANICAL DESIGN OR ANY OTHER. EVERY EFFORT HAS BEEN MADE TO INSURE ALL DIMENSIONS ARE CORRECT AND ENVIRONMENTAL REGULATIONS HAVE BEEN MET. IF AN ERROR OR OMISSION DOES OCCUR IT IS THE SOLE RESPONSIBILITY OF THE CONTRACTOR AND/OR OWNER AT HIS OWN EXPENSE. MADDEN HOME DESIGN, LLC IS NOT PROVIDING SERVICE RESPONSIBILITY OF THE CONTRACTOR. CONTRACTOR IS RESPONSIBLE FOR VERIFICATION OF DIMENSIONS IN THE FIELD AND SHALL BUILD HOME IN ACCORDANCE WITH THE INTERNATIONAL RESIDENTIAL CODE 2018.

RESIDENCE OF
JONAH WILLIAMS

Project
MADDEN HOME DESIGN
 8375 Rushing Road
 Dentham Springs, Louisiana 70726
 Phone: (225) 791-2912

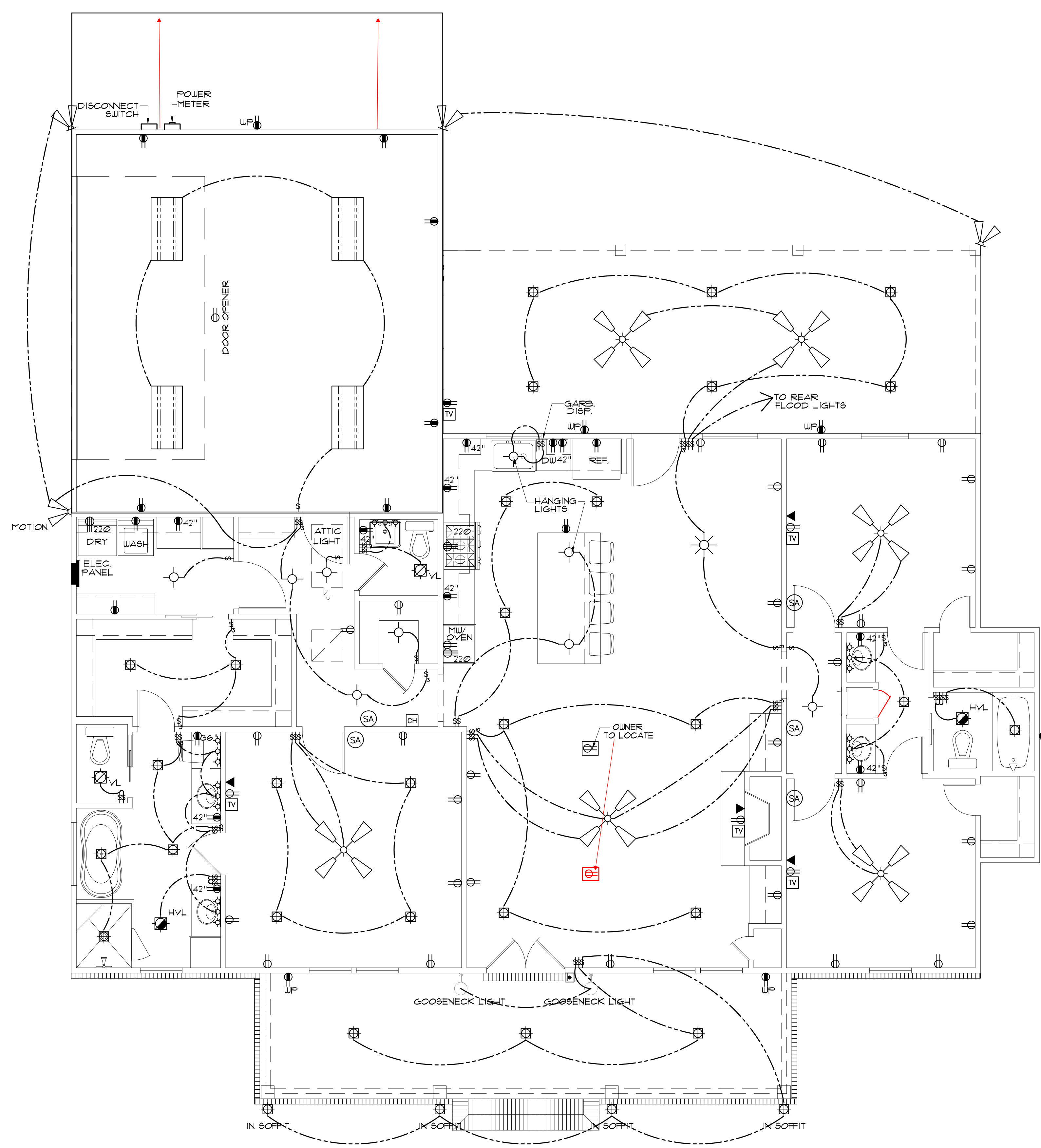
Project No.: **HONEYSUCKLE**
 DATE: **FEBRUARY 21, 2022**
 DRAWN BY: **Steven Madden**
 DESIGNED BY: **Steven Madden**

COPYRIGHT NOTE: © These Plans Are Subject To Federal Copyright Laws And Are To Be Used For The Lot Number And Subdivision Indicated In This Title Block Only. Use On Any Other Site Is Prohibited.

© COPYRIGHT 2022

Sheet Title
JOISTS FRAMING PLAN

Sheet:
 Preliminary Dwg.
 Bidding Doc.
 Construction Doc.
A5.0



ELECTRICAL SYMBOL LEGEND	
	CABLE OUTLET
	TELEPHONE/ ETHERNET OUTLET
	RECEPTACLE, 15A, 125V, 2 POLE 3 WIRE, GROUNDED, DUPLEX
	FLOOR DUPLEX RECEPTACLE
	GROUND-FAULT-CIRCUIT-INTERLIFT RECEPTACLE-USE SQUARE D QUICK GUARD FOR WP LOCATIONS
	RECEPTACLE, 50A, 220V, 2 POLE 3 WIRE, GROUNDED
	TOGGLE SWITCH, SINGLE POLE, 15A
	TOGGLE SWITCH, 3 WAY, 15A
	ELEC. DOOR BELL
	DOORBELL CHIME
	DIMMER SWITCH
	LIGHT FIXTURE, INCANDESCENT CEILING MOUNTED
	LIGHT FIXTURE, INCANDESCENT EXTERIOR FLOODS
	CEILING FAN W/ LIGHT- PROVIDE SEPERATE SWITCHES FOR F & L
	LIGHT FIXTURE - CHANDELIER W/ INCANDESCENT BULBS
	LED RECESSED LIGHT
	LIGHT FIXTURE - FLOURESCENT
	SMOKE ALARM - 110V ELEC. W/ CARBON MONOXIDE DETECTOR
	VANITY LIGHT
	VENT/LIGHT RECESSED CAN
	HEAT/VENT/LIGHT
	VENT/LIGHT ONLY
	SCONCE LIGHT
	ELECTRIC LANTERN

PRE-WIRE FOR THE FOLLOWING:

- TELEPHONE (ONE INCOMING LINE)
- CABLE VISION (ONE OUTLET PER ROOM MINIMUM)
- SECURITY SYSTEM - COORDINATE W/ OWNER
- COORDINATE ELECTRICAL SYSTEM WITH MECHANICAL CONTRACTOR
- ALL WIRING TO BE COPPER MIN. 12/2 W/ GROUND
- VERIFY LOCATION OF FLOOR OUTLETS IN FAMILY ROOM
- PROVIDE 110V OUTLET FOR GARAGE DISPOSAL UNDER KITCHEN SINK
- PROVIDE 110V OUTLET FOR WHIRLPOOL TUB MOTOR UNDER WHIRLPOOL TUB IN MASTER BATH IF APPLICABLE
- PROVIDE 220V OUTLET FOR CLOTHES DRYER
- COORDINATE SURROUND SYSTEM W/ OWNER

ELECTRICAL NOTES:

- MAIN FEED INTO HOUSE TO BE TRENCHED UNDERGROUND FROM SUPPLY POLE TO METER THEN MAIN DISCONNECT OUTSIDE.
- ALL SMOKE DETECTORS TO BE ELECTRIC POWERED WITH BATTERY BACKUP AND WIRED TO SET ALL ALARMS OFF IF ONE IS TRIPPED.
- ALL EXTERIOR, KITCHEN, AND BATH OUTLETS TO BE GROUND FAULT CIRCUIT INTERRUPT EQUIPPED AND ON A SEPARATE CIRCUIT.
- ELECTRICAL DISCONNECTS ARE TO BE AT A/C UNIT, CONDENSING UNIT, AND WATER HEATER.
- HEAT VENT LIGHTS ARE TO BE ON A SEPARATE CIRCUIT.
- OUTLETS, INCLUDING PHONE AND CABLE, MAY BE ADDED OR CHANGED UPON OWNERS REQUEST.
- ELECTRICAL CONTRACTOR TO VERIFY EQUIPMENT TYPE AND SIZE.
- INSTALL LIGHTS IN ATTIC SPACE W/ SWITCH AT FOOT OF DISP. STAIRS
- ELECTRICAL SERVICE TO BE A 42 CIRCUIT 200 AMP MAIN LOCATED IN THE UTILITY.
- A SUB-PANEL MAY NEED TO BE ADDED FOR ENOUGH CIRCUITS.
- HOUSE TO BE WIRED FOR A SECURITY SYSTEM.
- ALL KITCHEN OUTLETS ARE TO BE GFI EXCEPT APPLIANCE OUTLETS NOT EASILY ACCESSIBLE.
- ARC FAULT BREAKERS ARE TO BE USED IN ALL BEDROOMS.
- IF GAS FIRED APPLIANCES ARE USED IN HOME, CARBON MONOXIDE ALARMS ARE NEEDED (IRC R315).

ELECTRICAL PLAN
SCALE: 1/4" = 1'-0"

**SEDC
RECEIVED
02/21/2022**

MADDEN HOME DESIGN, LLC NOT BEING AN ARCHITECTURAL OR ENGINEERING FIRM. THESE PLANS SHALL BE USED FOR INFORMATIONAL PURPOSES ONLY. MADDEN HOME DESIGN, LLC HAS MADE EVERY EFFORT TO ENSURE THAT ALL DIMENSIONS AND ENVIRONMENTAL REGULATIONS HAVE BEEN MET. IF AN ERROR OR OMISSION DOES OCCUR, IT IS THE SOLE RESPONSIBILITY OF THE CONTRACTOR AND/OR OWNER AT HIS OWN EXPENSE AND WITHOUT THE RESPONSIBILITY OF THE DRAWING SERVICE. CONTRACTOR IS RESPONSIBLE FOR VERIFICATION OF DIMENSIONS IN THE FIELD AND SHALL BUILD HOME IN ACCORDANCE WITH THE INTERNATIONAL RESIDENTIAL CODE 2015.

RESIDENCE OF
**JONAH
WILLIAMS**

Project

MADDEN HOME DESIGN
8375 Rushing Road
Denham Springs, Louisiana
70726
Phone: (225) 791-2912

A B D

Project No.: HONEYSUCKLE

DATE: FEBRUARY 21, 2022

DRAWN BY: Steven Madden

DESIGNED BY: Steven Madden

COPYRIGHT NOTE: © These Plans Are Subject To Federal Copyright Laws And Are To Be Used For The Lot Number And Subdivision Indicated In This Title Block Only. Use On Any Other Site Is Prohibited.

© COPYRIGHT 2022 9099

Sheet Title

ELECTRICAL PLAN

- Preliminary Dwg.
- Bidding Doc.
- Construction Doc.

Sheet:
E1.0