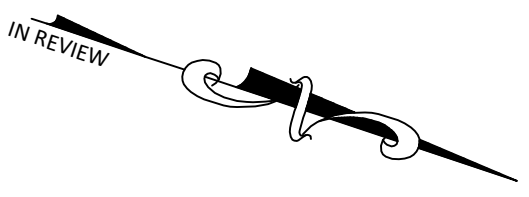


INSET SCALE: 1" = 20'

NOTES:

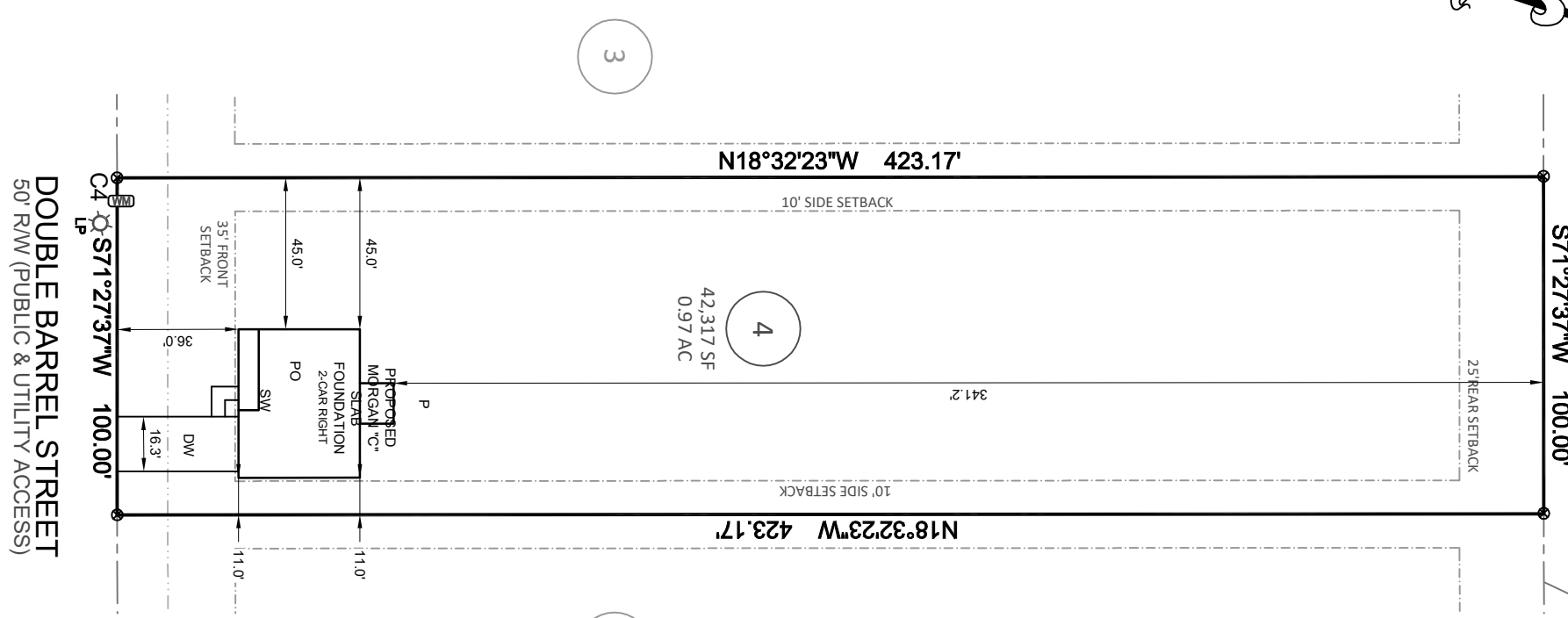
1. THIS SURVEY WAS PREPARED BY BATEMAN CIVIL SURVEY CO., UNDER THE SUPERVISION OF STEVEN P. CARSON, PLS.
2. THIS PLAN HAS BEEN PREPARED FOR LAYOUT AND PERMITTING PURPOSES ONLY.
3. PROPERTY LINES SHOWN WERE TAKEN FROM EXISTING FIELD EVIDENCE, EXISTING DEEDS AND PLATS OF PUBLIC RECORD, AND INFORMATION SUPPLIED TO THE SURVEYOR BY THE CLIENT.
4. ALL DISTANCES ARE HORIZONTAL GROUND DISTANCES AND ALL BEARINGS ARE NORTH CAROLINA STATE PLANE COORDINATE SYSTEM UNLESS OTHERWISE SHOWN.
5. THIS MAP IS NOT FOR RECORDATION AND SHOULD BE REVIEWED BY A LOCAL GOVERNMENT AGENCY FOR COMPLIANCE WITH ANY APPLICABLE LAND DEVELOPMENT REGULATIONS.
6. THE BASIS OF NORTH AND ALL EASEMENTS, RIGHTS-OF-WAYS, BUFFERS, SETBACKS AND ADJOINERS, ETC., REFERENCED IN TITLE BLOCK.
7. NO INVESTIGATION INTO THE EXISTENCE OF JURISDICTIONAL WETLANDS OR RIPARIAN BUFFERS PERFORMED BY THIS FIRM.
8. SURVEYOR HAS MADE NO INVESTIGATION OR INDEPENDENT SEARCH FOR EASEMENTS OF RECORD, ENCUMBRANCES, RESTRICTIVE COVENANTS, OWNERSHIP TITLE EVIDENCE OR ANY OTHER FACTS THAT AN ACCURATE AND CURRENT TITLE SEARCH MAY DISCLOSE.
9. THIS PROPERTY LIES WITHIN FLOOD ZONE "X" ACCORDING TO MAP #3720052800J OF THE FLOOD INSURANCE RATE, DATED 10/03/06.
10. ZONING IS RA-30, CONSERVATION.
11. PROPERTY OWNER: SMITH DOUGLAS HOMES
2520 RELIANCE AVENUE
APEX, NC 27539



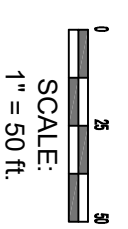
REVISION : MOVE HOUSE TO 10' FROM FRONT SETBACK, AHB 9/15/2022

OPEN SPACE 2

LOT INFORMATION:
 PIN: IN REVIEW
 TOTAL LOT AREA = 0.97 AC = 42,317 SF
 MAX. IMPERVIOUS = 24%
 HOUSE = 1,440 SF
 PORCH = 144 SF
 SIDEWALK = 50 SF
 DRIVEWAY = 585 SF
 PATIO = 120 SF
 PROPOSED IMPERVIOUS = 2,339 SF
 PERCENT IMPERVIOUS = 5.55 %

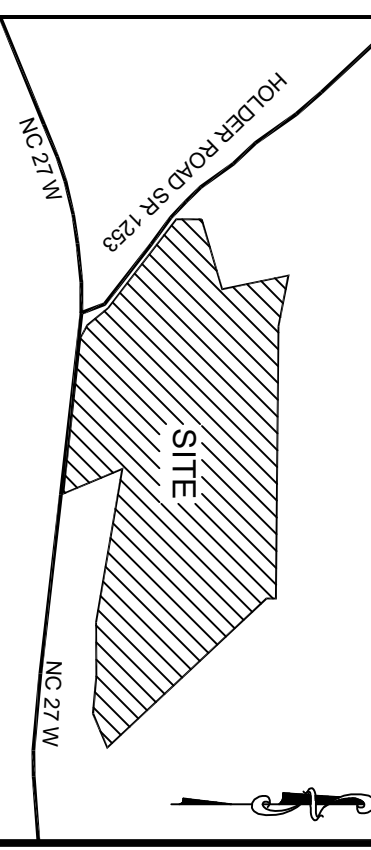


DOUBLE BARREL STREET
 50' RW (PUBLIC & UTILITY ACCESS)



Bateman Civil Survey Company
 Engineers • Surveyors • Planners
 2524 Reliance Avenue, Apex, NC 27539 Ph: 919.577.1080 Fax: 919.577.1081
 www.batemancivilsurvey.com info@batemancivilsurvey.com
 NOBELS Firm No. C-2378

VICINITY MAP
 (Not to Scale)



LEGEND

- PO = PORCH
 - P = PATIO
 - SP = COVERED PORCH OR PATIO
 - CP = COVERED PORCH OR PATIO
 - WD = WOOD DECK
 - SW = SIDEWALK
 - DW = CONC DRIVEWAY
 - ⊗ = COMPUTED POINT
 - ⊙ = IRON PIPE FOUND
 - ⊚ = IRON PIPE SET (IPS)
 - ⊕ = WATER METER
 - ⊖ = CLEANOUT
 - ⊗ = AIR CONDITIONER
 - ⊘ = ELECTRIC BOX
 - ⊙ = CABLE BOX
 - ⊚ = TELEPHONE PEDESTAL
 - ⊛ = LIGHT POLE
 - ⊜ = CURB INLET
 - ⊝ = YARD INLET
 - ⊞ = FIRE HYDRANT
 - ⊟ = WATER VALVE
 - ⊠ = POWER POLE
- BUILDING SETBACKS:**
 FRONT = 35 ft
 REAR = 25 ft
 SIDE = 10 ft
 CORNER = 20 ft
- BUILDER TO VERIFY HOUSE LOCATION, DIMENSIONS AND REVIEW TOTAL IMPERVIOUS NOTED ON THIS PLOT PLAN

PRELIMINARY PLOT PLAN
 FOR
SMITH DOUGLAS HOMES



DUNCANS CROSSING - LOT 4
 DOUBLE BARREL STREET, LILLINGTON, NC
 UPPER LITTLE RIVER TOWNSHIP, HARNETT COUNTY
 DATE: 6/29/22 DRAWN BY: ALT CHECKED BY: SPC
 REFERENCE: IN REVIEW PROJECT # 220482 SCALE: 1" = 50'